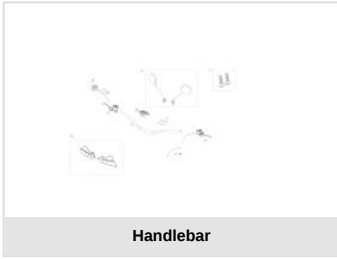


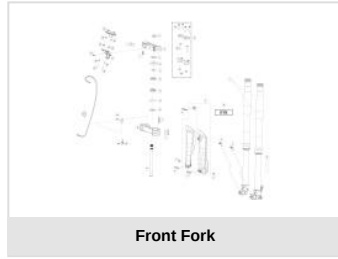


# **XC 300cc 2019**

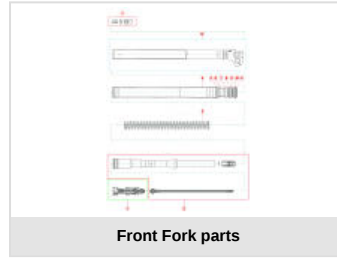
## **Exploded**



**Handlebar**



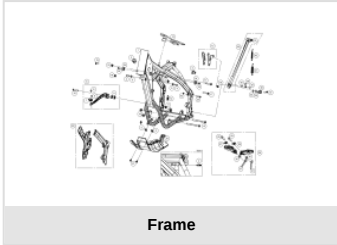
**Front Fork**



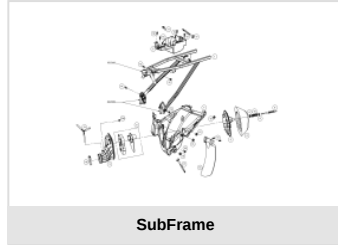
**Front Fork parts**



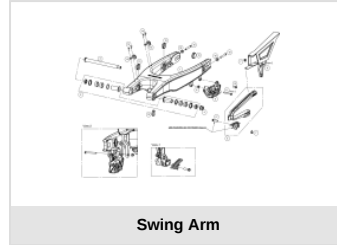
**KYB Tools**



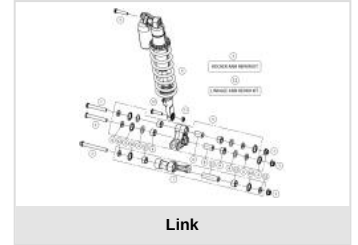
**Frame**



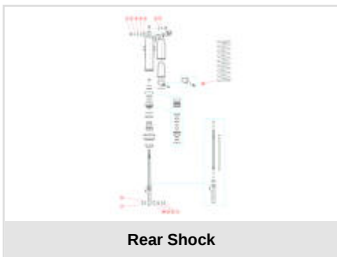
**SubFrame**



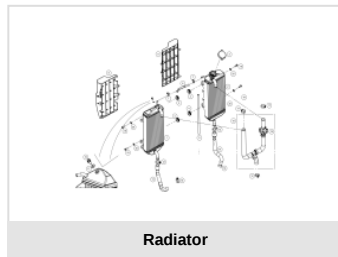
**Swing Arm**



**Link**



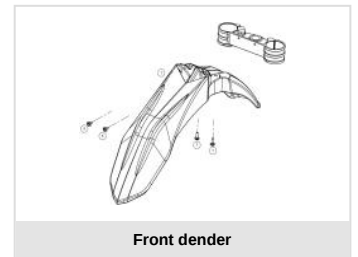
**Rear Shock**



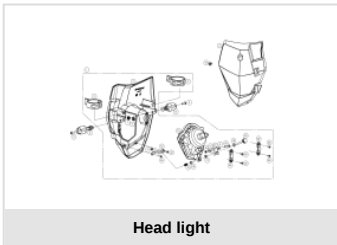
**Radiator**



**Electrical Part**



**Front fender**



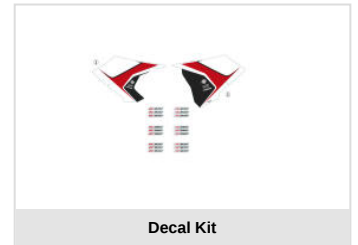
**Head light**



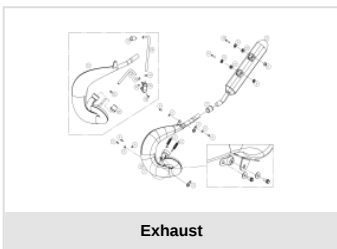
**Fuel Tank**



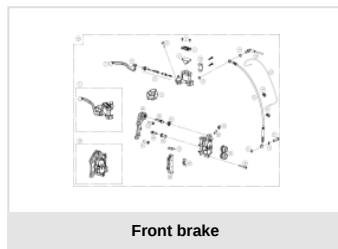
**Rear Plastic Set**



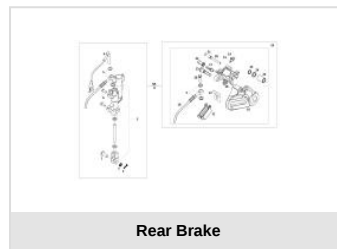
**Decal Kit**



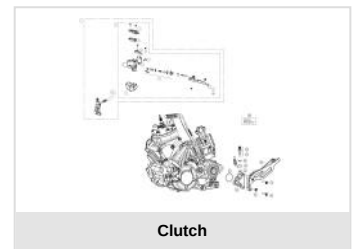
**Exhaust**



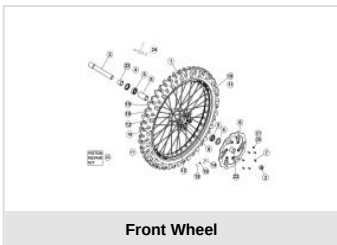
**Front brake**



**Rear Brake**



**Clutch**

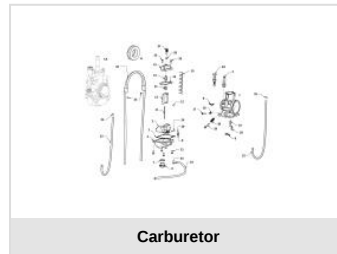
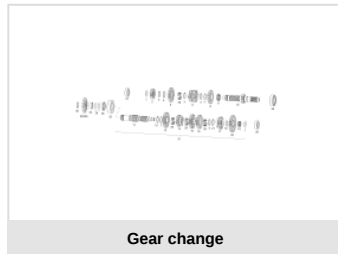
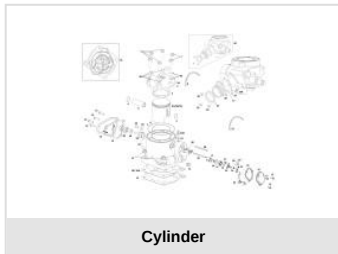
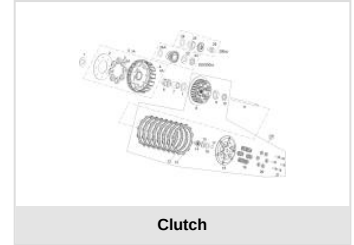
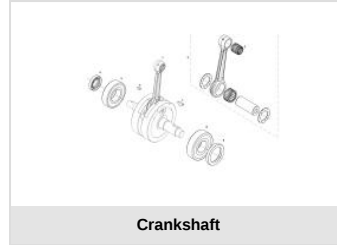
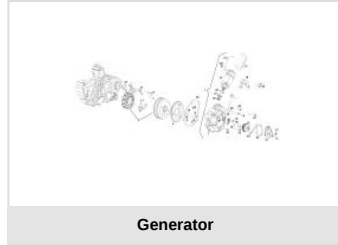
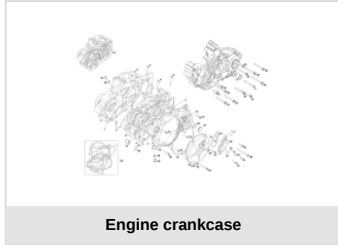
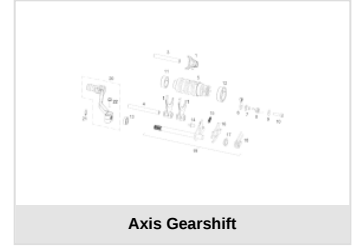
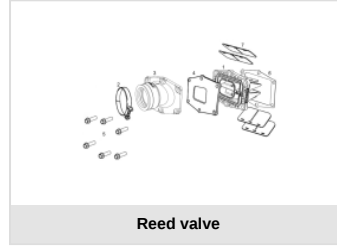
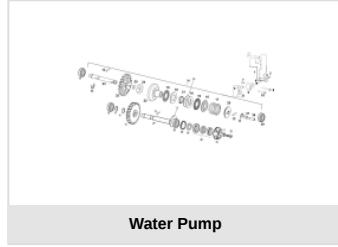
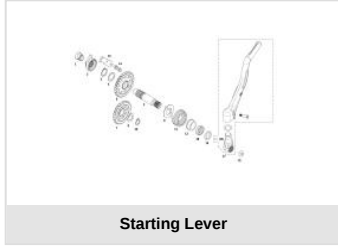


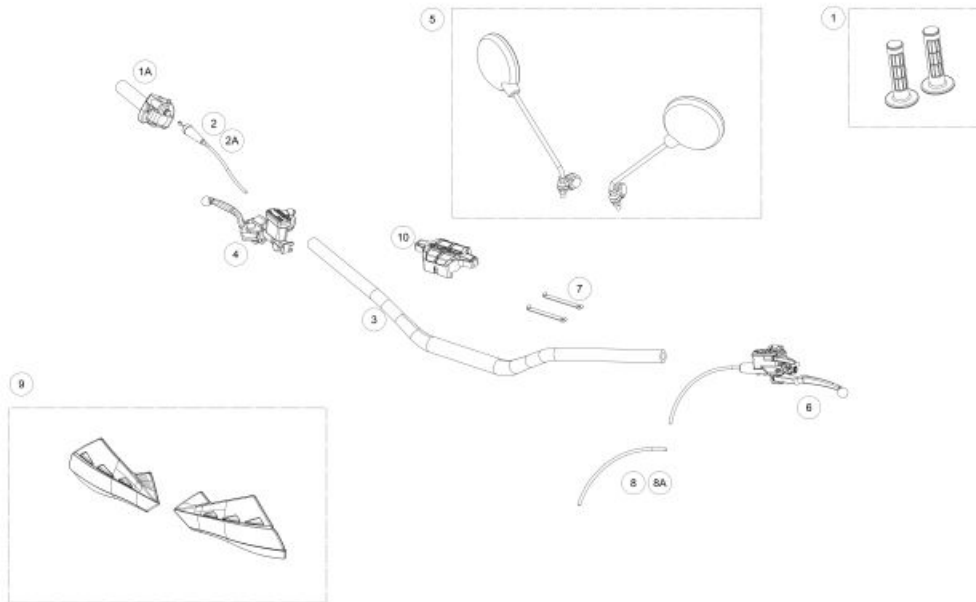
**Front Wheel**



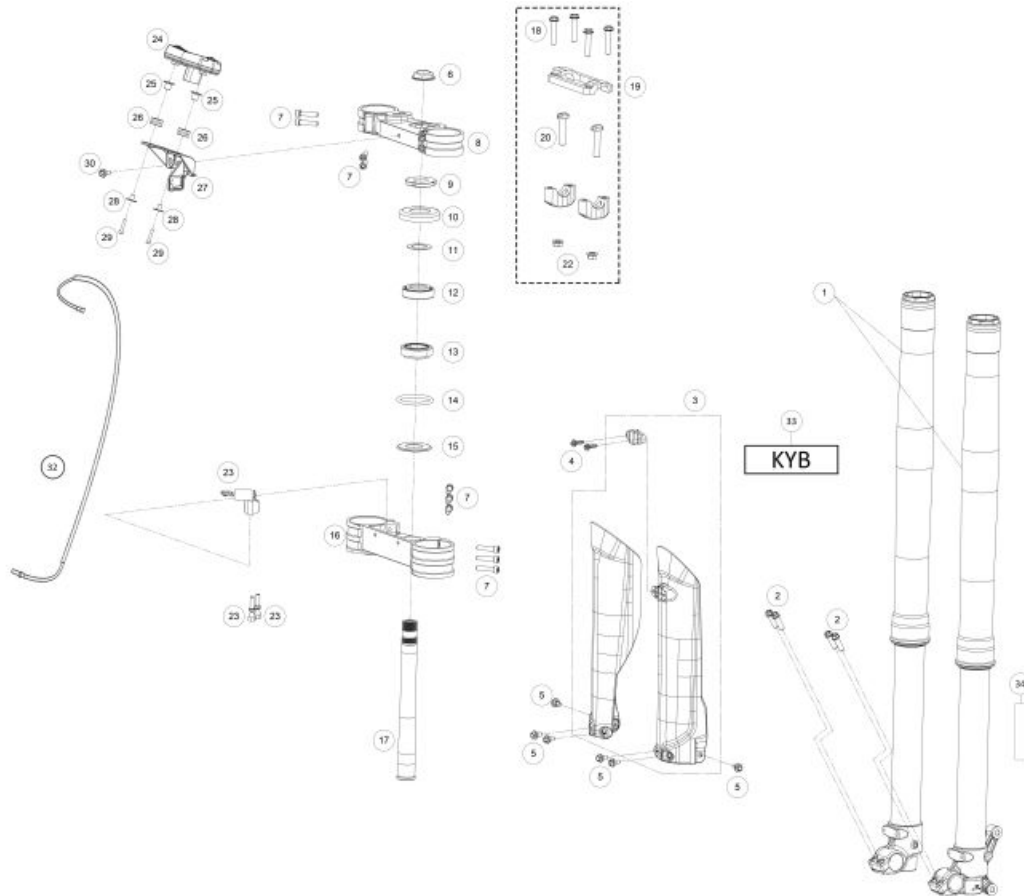
**Rear Wheel**

**EC 2T 2019 - Engine**



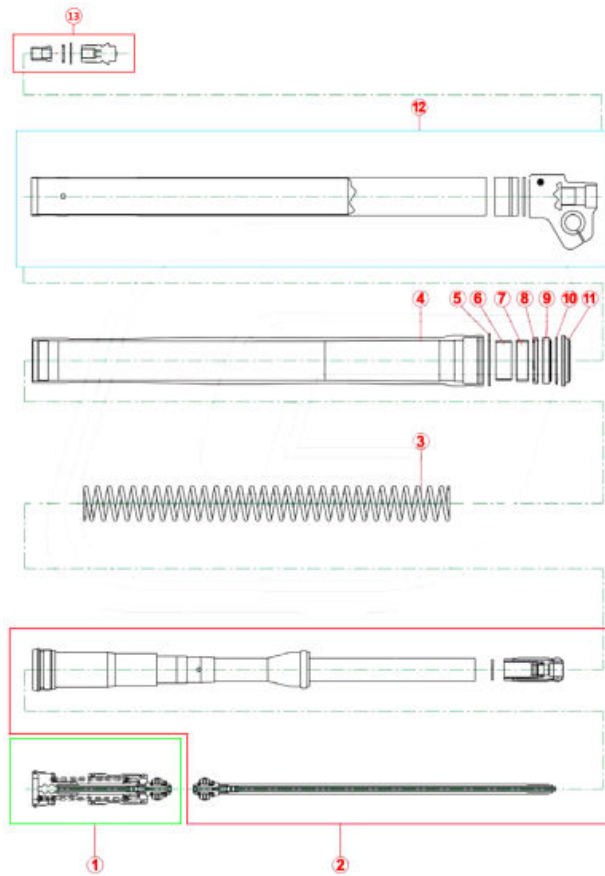
**Handlebar**


<b>1</b>	<b>GRIPS BLACK</b> BE26100GG-CSK-1 (u. 1)
<b>1A</b>	<b>TWIST GRIP</b> BE25724007 (u. 1)
<b>2</b>	<b>THROTTLE CABLE EC 2018</b> BE78500GG-CLJ-1 (u. 1)
<b>2A</b>	<b>THROTTLE CABLE EC 2018 HOMOL.</b> BE78501GG-CLJ-1 (u. 1)
<b>3</b>	<b>HANDLE ENDURO 2019</b> BE25000GG-CSK-1 (u. 1)
<b>4</b>	<b>BRAKE MASTER CYLINDER</b> BC25922008/2 (u. 1)
<b>5</b>	<b>SET MIRROR (REG 81)</b> BT29000GG-CKR-1 (u. 1)
<b>6</b>	<b>COMPLETE MAGURA CLUTCH PUMP, 9.5 (167)</b> BE45000003011 (u. 1)
<b>7</b>	<b>Rubber Cable Ties</b> BFS450320067 (u. 2)
<b>8A</b>	<b>CABLE STARTER ENDURO 2018</b> BE25601GG-CLJ-1 (u. 1)
<b>9</b>	<b>HAND GUARDS WHITE POLISPORT</b> BE90000223012 (u. 1)
<b>10</b>	<b>PROTECT HANDLEBARS EC 2019</b> BE25001GG-CSK-1 (u. 1)

**Front Fork**


1	SET SUSPENSION KYB DIAMETRO 48 BE20000CT-CLJ-1 (u. 1)
2	SCREW SPECIAL 8X25 T0228025 (u. 4)
3	SET PROT.FORK EC 2018 WHITE BE94600CT-CLJ-1 (u. 1)
4	TORNILLO ESPECIAL ROSCA PLASTICO CABOTA HEXAGONAL CON ARANDELA 6X20 T0806020 (u. 2)
5	SCREW ESP.6X8 PLASTIC T0806008 (u. 6)
6	STEERING SHAFT NUT BE25610030 (u. 1)
7	ALLEN BOLT 7X30 T0307030 (u. 10)
8	TOP-BRIDGE SUSP.BLACK BE22000GG-CLJ-1 (u. 1)
9	LOWER STEERING SHAFT NUT BE25610029 (u. 1)
10	GUARDAPOLVO COJ.DIR.TT NEGRO BE24005GG-CSK-1 (u. 1)
11	STEERING WASHER BE25610028 (u. 1)
12	STEERING BEARING 30205A BE25610008 (u. 1)
13	STEERING BEARING INF.320/28 BE250610008 (u. 1)
14	STEERING O-RING 50x5 BE25610012 (u. 1)

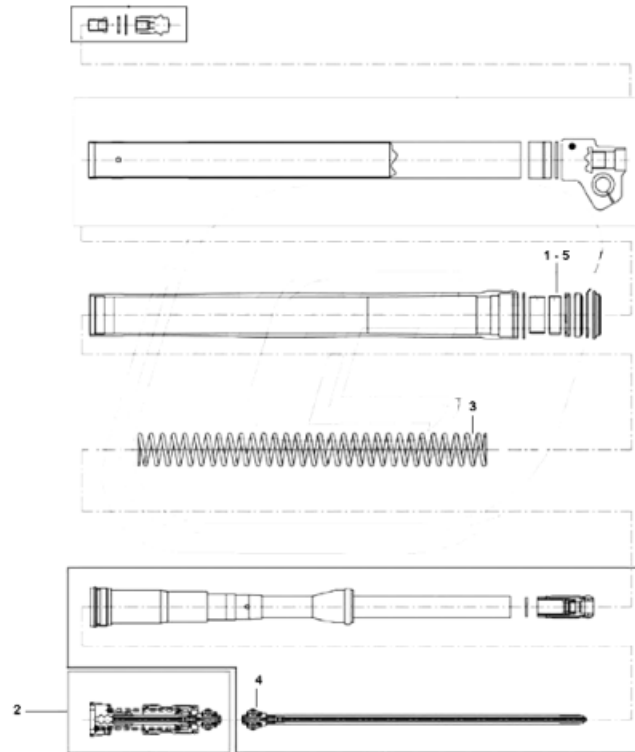
15	STEERING CAP D.28 BE250610026 (u. 1)
16	LOWER-BRIDGESUSP.BLACK BE21000GG-CLJ-1 (u. 1)
17	AXLE STEERING BE24000GG-CLJ-1 (u. 1)
18	SCREW SPECIAL 8X40 T0228040 (u. 4)
19	HANDLEBAR CLAMP SET EC 2019 BE25700CT-CSK-1 (u. 1)
20	10X45 SPEZIAL BOLT T0201045 (u. 2)
22	NUT AUTOB.M10 PASO 1.50 WASHER T3110003 (u. 2)
23	STEERING SHAFT ENDURO 2018 BE15025CT-CLJ-1 (u. 1)
24	SET MULTIFUNCION "EVEREST" EC 2018 EE60000CT-CLJ-1 (u. 1)
25	RADIATOR BUSHING BT700903013 (u. 2)
26	RUBBER GROMMET TO FRAME G220000 (u. 2)
27	BRACKET MULTIFUNCION EC 2018 EE65000GG-CSK-1 (u. 1)
28	BUSH RUBBER MULTIFUNCTION ENDURO 2018 EE65025GG-CLJ-1 (u. 2)
29	ALLEN SCREW 4x16 DIN 912 T0304016 (u. 2)
30	SCREW ESP.6x7 PLASTIC T0806007 (u. 1)
32	TT MULTIFUNCTION HOSE BE250634050 (u. 1)
33	SET STICKERS BAR KAYABA ENDURO 2018 BE95285GG-CLJ-1 (u. 1)
34	STICKER CATADRIOPTICO BE93915GG-CRB-1 (u. 2)

**Front Fork parts**


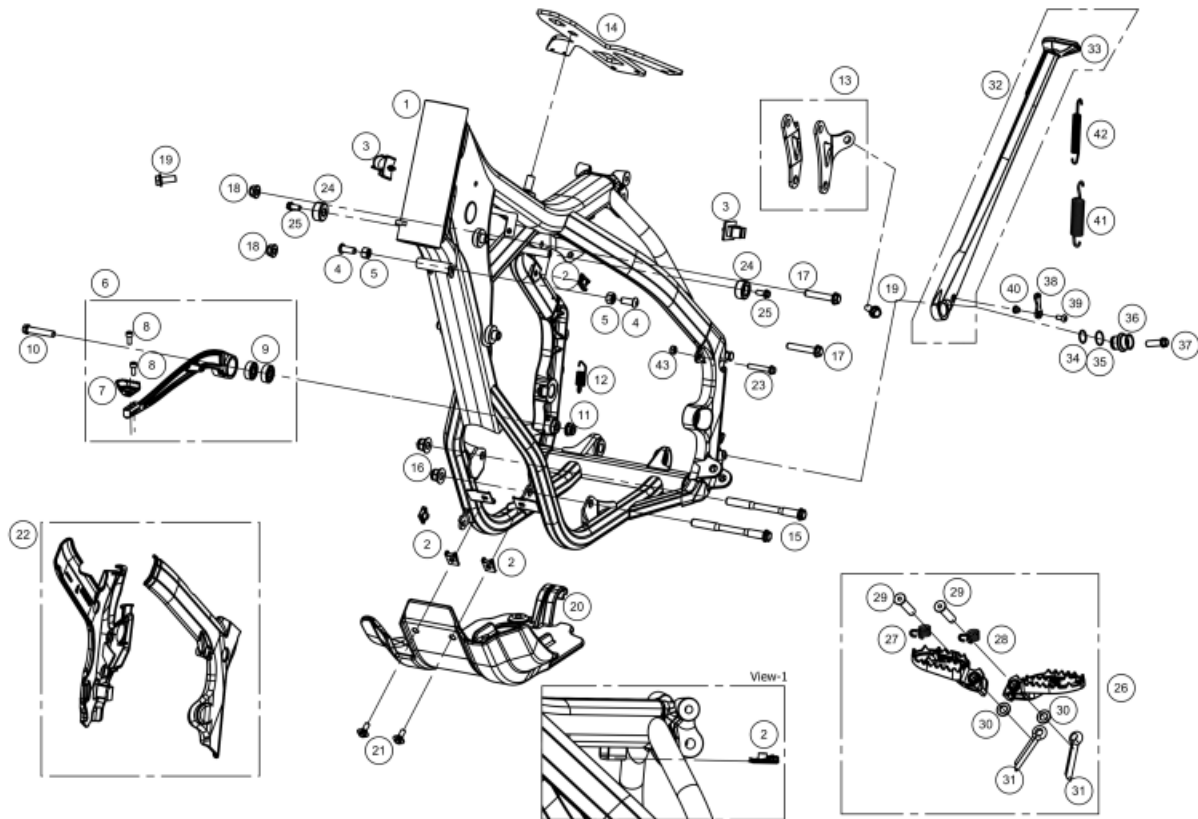
1	SET CAP SUSPENSION KAYABA ENDURO BE20240CT-CLJ-1 (u. 1)
2	SET HIDRAULIC SUSPENSION KAYABA ENDURO BE20220GG-CLJ-1 (u. 1)
3A	SET SPRINGS SUSPENSION 4.0 KAYABA ENDURO BE20170CT-CLJ-1 (u. 1)
3B	SET SPRINGS SUSPENSION 4.2 KAYABA ENDURO BE20171CT-CLJ-1 (u. 1)
3C	SET SPRINGS SUSPENSION 4.4 KAYABA ENDURO BE20172CT-CLJ-1 (u. 1)
4	SET. BOTTEL SUSPENSION KAYABA ENDURO BE20100CT-CLJ-1 (u. 1)
5	RING RETENCION SUSPENSION KAYABA ENDURO BE20145GG-CLJ-1 (u. 1)
6	GLACIER FORK-LEG SUSPENSION KAYABA ENDURO BE20150GG-CLJ-1 (u. 1)
7	GLACIER BAR SUSPENSION KAYABA ENDURO BE20151GG-CLJ-1 (u. 1)
8	WASHER SUSPENSION KAYABA ENDURO BE20186GG-CLJ-1 (u. 1)
9	SET RETENES SUSPENSION KAYABA ENDURO BE20140CT-CLJ-1 (u. 1)
10	SET CIRCLIP SUSPENSION KAYABA ENDURO BE20135GG-CLJ-1 (u. 1)
11	SET DUSTKEEPER SUSPENSION KAYABA ENDURO BE20130CT-CLJ-1 (u. 1)
12A	CTO.BARRA SUSPENSION DERECHA KAYABA ENDURO BE20110CT-CLJ-1 (u. 1)

<b>12B</b>	SET. BAR SUSPENSION LEFT KAYABA ENDURO BE20115CT-CLJ-1 (u. 1)
<b>13</b>	CAP REGULACION EXTENSION SUSPENSION KAYABA ENDURO BE20120GG-CLJ-1 (u. 1)



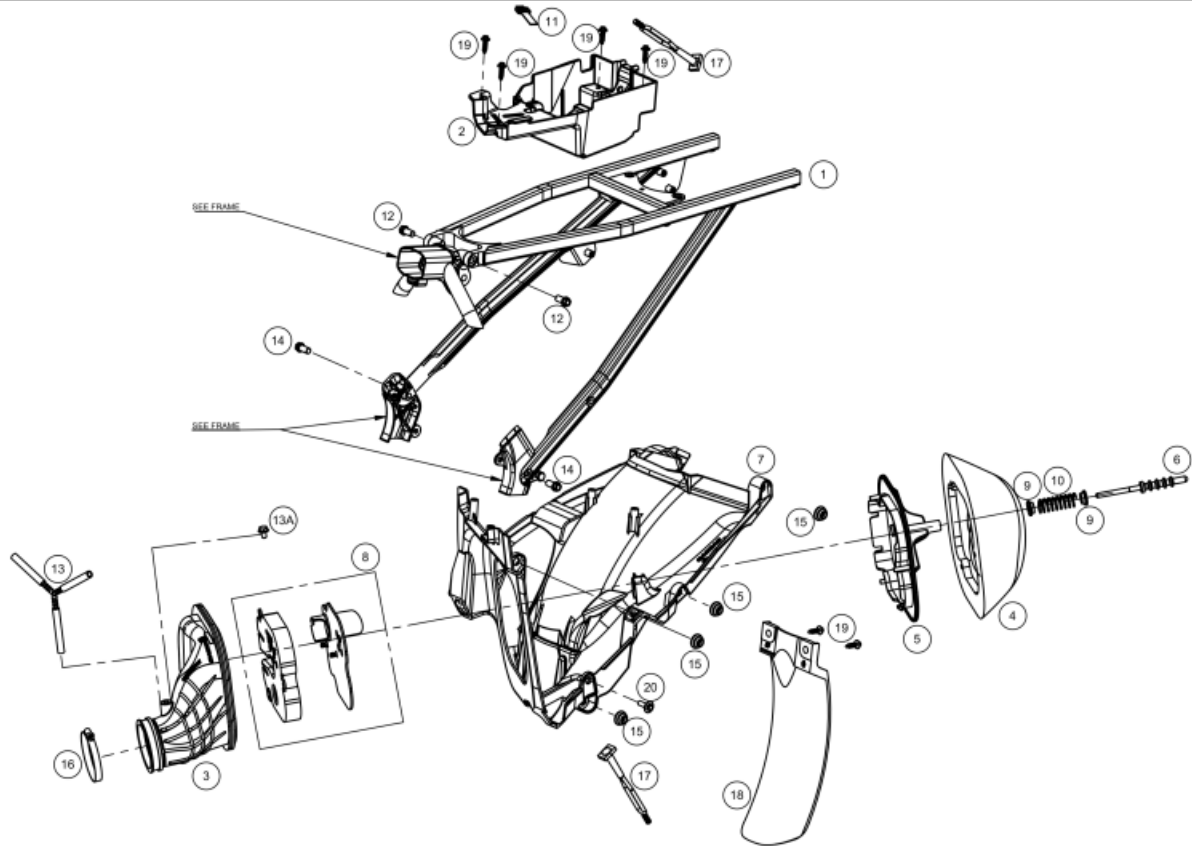
**KYB Tools**


- |   |   |
|---|---|
| 1 | TOOL SEAL SUSPENSION KAYABA ENDURO<br>BE20225GG-CLJ-1 (u. 1)                  |
| 2 | TOOL CAP SUSPENSION KAYABA ENDURO<br>BE21105GG-CLJ-1 (u. 1)                   |
| 3 | TOOL BRACKET PISTON AJUSTE SUSPENSION KAYABA ENDURO<br>BE20230GG-CLJ-1 (u. 1) |
| 4 | TOOL CAP CARTRIDGE SUSPENSION KAYABA ENDURO<br>BE21106GG-CLJ-1 (u. 1)         |
| 5 | TOOL INSERTADOR SEAL SUSPENSION KAYABA ENDURO<br>BE20235GG-CLJ-1 (u. 1)       |

**Frame**


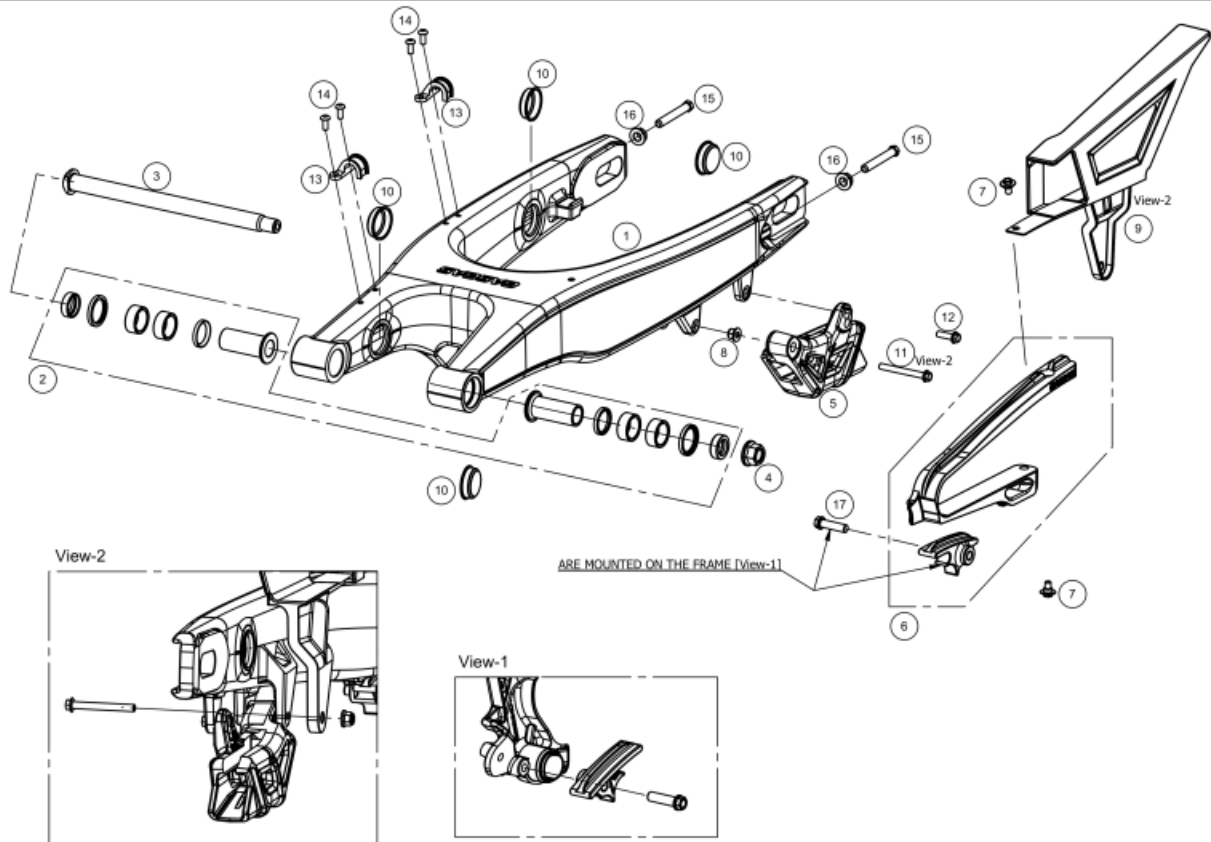
1	FRAME EC 250 300 2T 2018 RED BE10000CT-CLJ-1 (u. 1)
2	CAGE NUT 6mm T2606000 (u. 5)
3	CLIP (1E3J) SUJ. INST. ENDURO 2018 BE10984GG-CLJ-1 (u. 2)
4	ALLEN BOLT 8x25 T0508025 (u. 2)
5	ZINC STEERING STOPNUT M8X13X8 T2008002 (u. 2)
6	KICK BRAKE ENDURO 2018 BE13000CT-CLJ-1 (u. 1)
7	PUNTERA KICK BRAKE BE130102510 (u. 1)
8	Allen Bolt 5x12 T0305012 (u. 2)
9	Bearing 628-2RS BE13025GG-CLJ-1 (u. 2)
10	SCREW SPECIAL 8X40 T0228040 (u. 1)
11	NUT 8mm NYLOCK WASHER T2208002 (u. 1)
12	BRAKE PEDAL WIRE BE13015GG-CAB-1 (u. 1)
13	SET BRACE CYLINDER HEAD ENDURO 250 300 2018 BE11100CT-CLJ-1 (u. 1)
14	RUBBER PROT.TANK GASOL.ENDURO 2018 BE76045GG-CLJ-1 (u. 1)
15	SCREW 10x113 T0210113 (u. 2)

16	NUT 10mm (1.25) T3110002 (u. 2)
17	SPECIAL SCREW 8x50 T0228050 (u. 1)
18	NUT 8mm NYLOCK WASHER T2208002 (u. 2)
19	SREW SPECIAL 8x20 T0228020 (u. 1)
20	SKID PLATE ENDURO 2018 BE11500GG-CLJ-1 (u. 1)
21	BOLT ESPECIAL HEXAGONAL 6X12 T0806012 (u. 2)
22	RED FRAME PROTECTOR SET EC 2019 BE19001CT-CLJ-1 (u. 1)
23	SPECIAL BOLT 6X35 T0206035 (u. 1)
24	SILENTBLOCK+WASHER TANK GASOL. BE76066GG-CLJ-1 (u. 2)
25	HEX BOLT WASHER 6x14 (Fork Brace) T0206014 (u. 2)
26	SET FOOTREST TXT 2018 BE14005CT-CLJ-1 (u. 1)
27	SPRING FOOTREST RIGHT. BE14030GG-CLJ-1 (u. 1)
28	SPRING FOOTREST LEFT. BE14035GG-CLJ-1 (u. 1)
29	BUSH PIN FOOTREST BE14025GG-CAB-1 (u. 2)
30	WASHER 10x20x2 T4001020 (u. 2)
31	PIN DIN 94 ISO 1234 BE14040GG-CEQ-1 (u. 2)
32	SET STAND ENDURO 2018 BE14200CT-CLJ-1 (u. 1)
33	BASEL STAND ENDURO 2018 BE14255GG-CLJ-1 (u. 1)
34	O-RING BUSH STAND 15x1,5 BE14260GG-CLJ-1 (u. 1)
35	O-RING BUSH STAND 17x1,5 BE14261GG-CLJ-1 (u. 1)
36	BUSH FIX .STAND ENDURO 2018 BE14220GG-CLJ-1 (u. 1)
37	SCREW SPECIAL 8X25 T0228025 (u. 1)
38	LCAM STAND ENDURO 2018 BE14230GG-CLJ-1 (u. 1)
39	ALLEN BOLT 5x16 T0505016 (u. 1)
40	BUSH LCAM STAND ENDURO BE14231GG-CLJ-1 (u. 1)
41	SPRING EXTERIOR STAND ENDURO 2018 BE14245GG-CLJ-1 (u. 1)
42	SPRING INTERIOR STAND ENDURO 2018 BE14250GG-CLJ-1 (u. 1)
43	NYLOCK NUT 6mm T2106001 (u. 1)

**SubFrame**


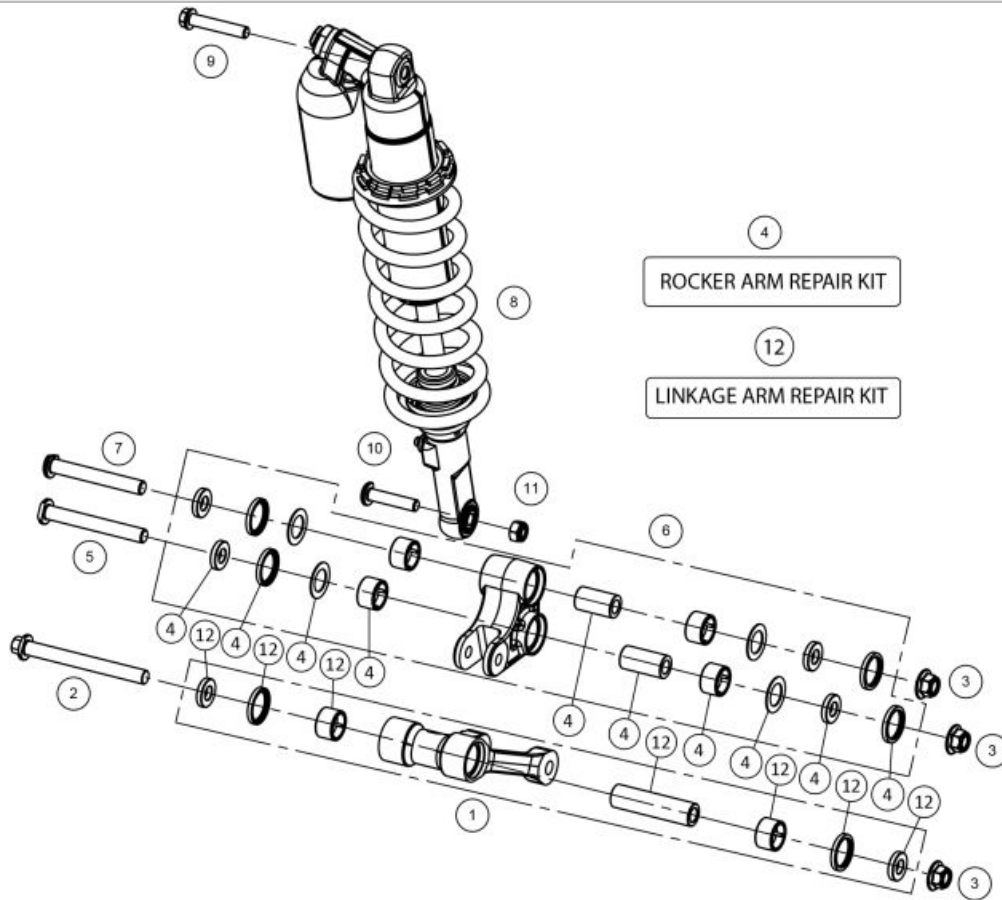
1	SUBFRAME EC 2018 BE12000CT-CLJ-1 (u. 1)
2	BRACKET BATTERY -CDI-RELE STARTER EC 2018 BE41010GG-CLJ-1 (u. 1)
3	MANIFOLD C.FILTER.EC 2018 BE79200GG-CLJ-1 (u. 1)
4	FILTER AIR EC 2018 (OEM158084X) BE79500GG-CLJ-1 (u. 1)
5	HOLDER FILTER EC 2018 BE79505GG-CLJ-1 (u. 1)
6	FILTER BOLT BE250728003 (u. 1)
7	C.FILTER.ENDURO 2018 BE79000GG-CLJ-1 (u. 1)
8	KIT RESTRICTOR FILTRO DE AIRE BE79800CT-CLJ-1 (u. 1)
9	AIR FILTER NYLON WASHER BE250728052 (u. 2)
10	FILTER BOX SPRING BE250728051 (u. 1)
11	CDI hold-down band BE250034100 (u. 1)
12	SCREW SPECIAL 8X25 T0228025 (u. 2)
13A	M6X12 BLACK ESPECIAL PLASTIC SCREW BT35000083012 (u. 1)
13	SET TUBE SVAPORIZADOR BLOW BY ENDURO 2018 BE71155CT-CLJ-1 (u. 1)

<b>14</b>	SCREW SPECIAL 8X16 T0228016 (u. 2)
<b>15</b>	SILENTBLOCK NUMBER-PLATE LEFT.ENDURO 2018 BE93010GG-CLJ-1 (u. 4)
<b>16</b>	CLAMP 50-70/9 BE250328033 (u. 1)
<b>17</b>	RUBBER STAND EC 2015 BE14205GG-CEQ-1 (u. 2)
<b>18</b>	PROT.SHOCK EC 2018 BE79555GG-CLJ-1 (u. 1)
<b>19</b>	TORNILLO ESPECIAL ROSCA PLASTICO CABOTA HEXAGONAL CON ARANDELA 6X20 T0806020 (u. 6)
<b>20</b>	SCREW SPECIAL 6X16 PLASTIC T0806016 (u. 1)
<b>21</b>	CRANKCASE VENT NIPPLE D.3 M01032001 (u. 1)

**Swing Arm**


1	SWINGARM ENDURO 2018 BE40000GG-CLJ-1 (u. 1)
2	SWINGARM SET REPARATION BE41000CT-CLJ-1 (u. 1)
3	AXLE SWINGARM ENDURO 2018 BE44500GG-CLJ-1 (u. 1)
4	SWINGARM NUT BE25612009 (u. 1)
5	GUIDE CHAIN (8435900001) BE42000GG-CLJ-1 (u. 1)
6	CHAIN SLIDER KIT 3 COMP. BE43015CT-CLJ-1 (u. 1)
7	SCREW ESP.6x7 PLASTIC T0806007 (u. 2)
8	SELFLOCKING NUT WITH WASHER T2206002 (u. 1)
9	PROT.CHAIN HOMOL..EC 2018 BE44520GG-CLJ-1 (u. 1)
10	CAP SWINGARM EC 2018 (465658) BE43000GG-CLJ-1 (u. 4)
11	SPECIAL SCREW 6X55 T0206055 (u. 1)
12	BOLT 6x20 T0206020 (u. 1)
13	SWINGARM HOSE HOLDER BE25612006 (u. 2)
14	HEAD SCREW 5x15 T0205015 (u. 4)
15	WHEEL TENSOR SCREW BFS450722212 (u. 2)

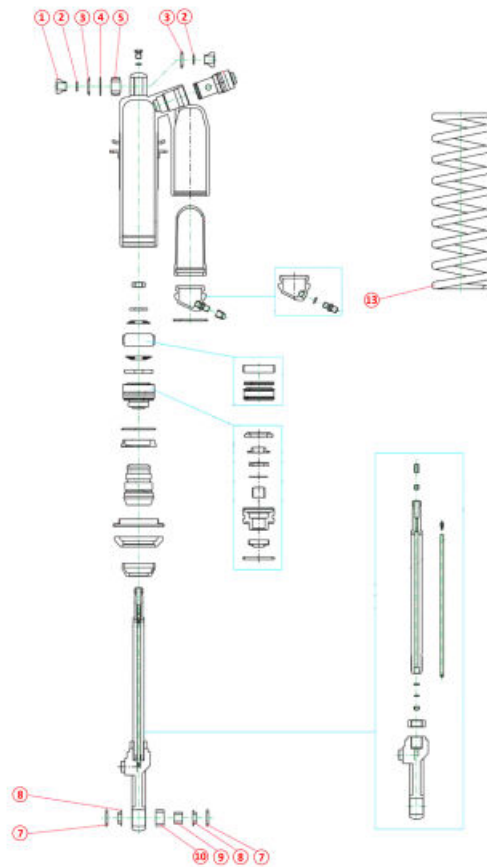
16	M8 SELFLOCKING NUT WITH WASHER T2208001 (u. 2)
17	SPECIAL SCREW 8x35 T0228035 (u. 1)

**Link**


1	SET LINK ENDURO 2018 BE34000CT-CLJ-1 (u. 1)
2	SCREW AXLE LINK FRAME 22X128 BE35001GG-CLJ-1 (u. 1)
3	NUT M12x1.25 ,ZINC DIN 6923 T2112003 (u. 3)
4	LINKAGE ARM REPAIR KIT EC 2018 BE34035CT-CLJ-1 (u. 1)
5	SCREW AXLE LINK BALANCIN 22X99.5 BE35002GG-CLJ-1 (u. 1)
6	SET BALANCIN ENDURO 2018 BE32000CT-CLJ-1 (u. 1)
7	SCREW AXLE BALANCIN SWINGARM 22X92.5 BE35003GG-CLJ-1 (u. 1)
8	REAR SHOCK ABSORBER EC 2018 KYB BE30000GG-CLJ-1 (u. 1)
9	Upper Shock Bolt 02 Pampera T0210055 (u. 1)
10	SCREW AXLE INF.SHOCK 20X48.5 BE35000GG-CLJ-1 (u. 1)
11	NUT AUTOBLOC.M10X125 DIN 985 ZINC T21010003 (u. 1)
12	ROCKERM ARM REPAIR EC KIT 2018 BE32035CT-CLJ-1 (u. 1)

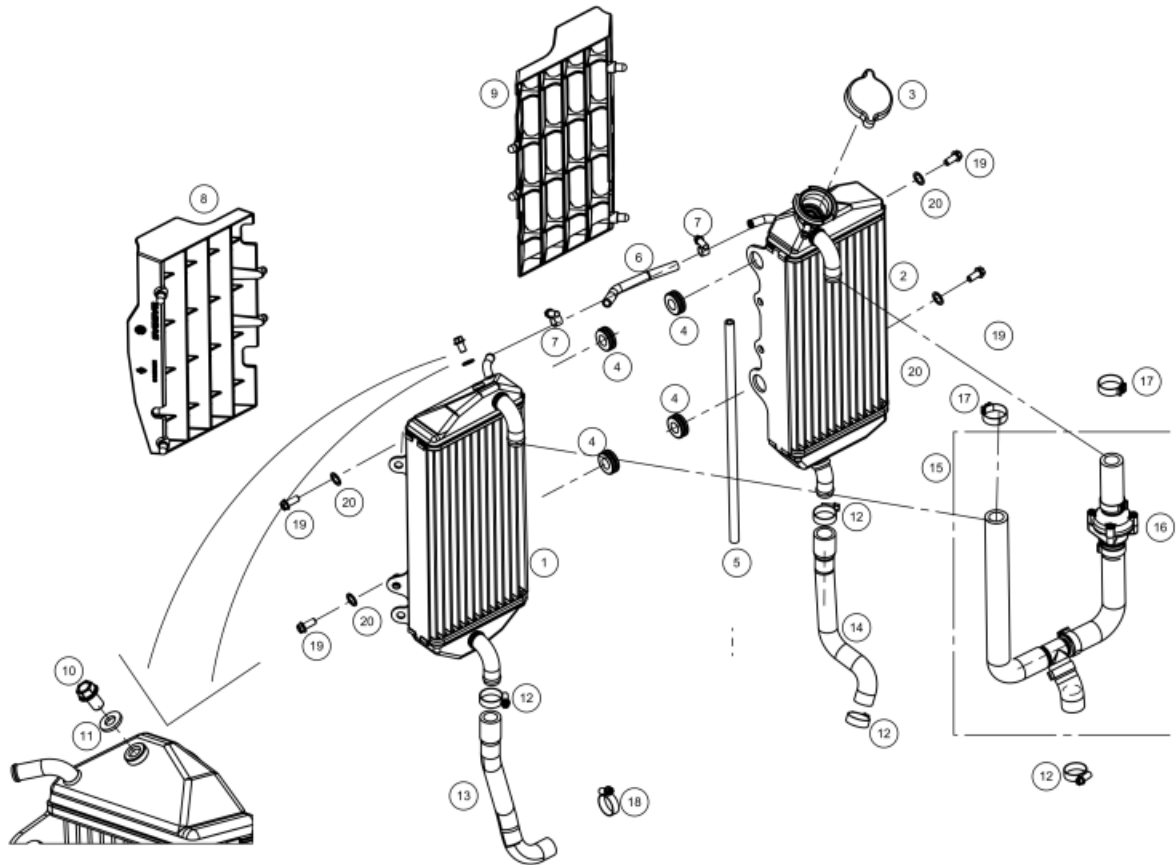


## Rear Shock



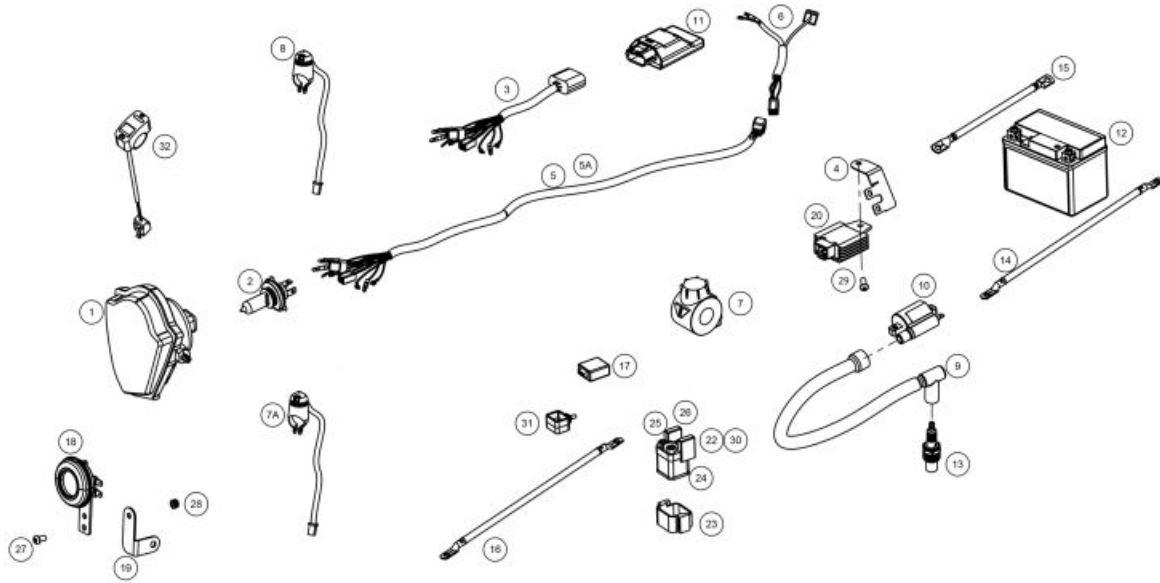
1	BUSH ROTULA SUP. SUSPENSION KAYABA ENDURO BE20210GG-CLJ-1 (u. 1)
2	O-RING BALL-JOINT SUSPENSION KAYABA ENDURO BE30025GG-CLJ-1 (u. 3)
3	SEAL BALL-JOINT SUPERIOR SUSPENSION KAYABA ENDURO BE23295GG-CLJ-1 (u. 3)
4	ARANDELA ROTULA BE23290GG-CLJ-1 (u. 1)
5	WASHER BALL-JOINT SUPERIOR SUSPENSION KAYABA ENDURO BE232990GG-CLJ-1 (u. 1)
7	DUST KEEPER SEAL BALL-JOINT LOWER KAYABA ENDURO BE23280GG-CLJ-1 (u. 2)
8	BUSH BALL-JOINT LOWER SUSPENSION KAYABA ENDURO BE23285GG-CLJ-1 (u. 1)
9	BRG. NOZZLE LOWER SUSPENSION KAYABA ENDURO BE36060GG-CLJ-1 (u. 1)
10	BUSHER LOWER SUSP. KAYABA ENDURO BE23300GG-CLJ-1 (u. 1)
13	SPRING SHOCK ABSORBER 46 mm 52n SUSPENSION KAYABA ENDURO BE30011GG-CLJ-1 (u. 1)
	SPRING SHOCK ABSORBER 46 mm 50n SUSPENSION KAYABA ENDURO BE30010GG-CLJ-1 (u. 1)
	SPRING SHOCK ABSORBER 46 mm 54n SUSPENSION KAYABA ENDURO BE30012GG-CLJ-1 (u. 1)

**OBSOLETE**

**Radiator**


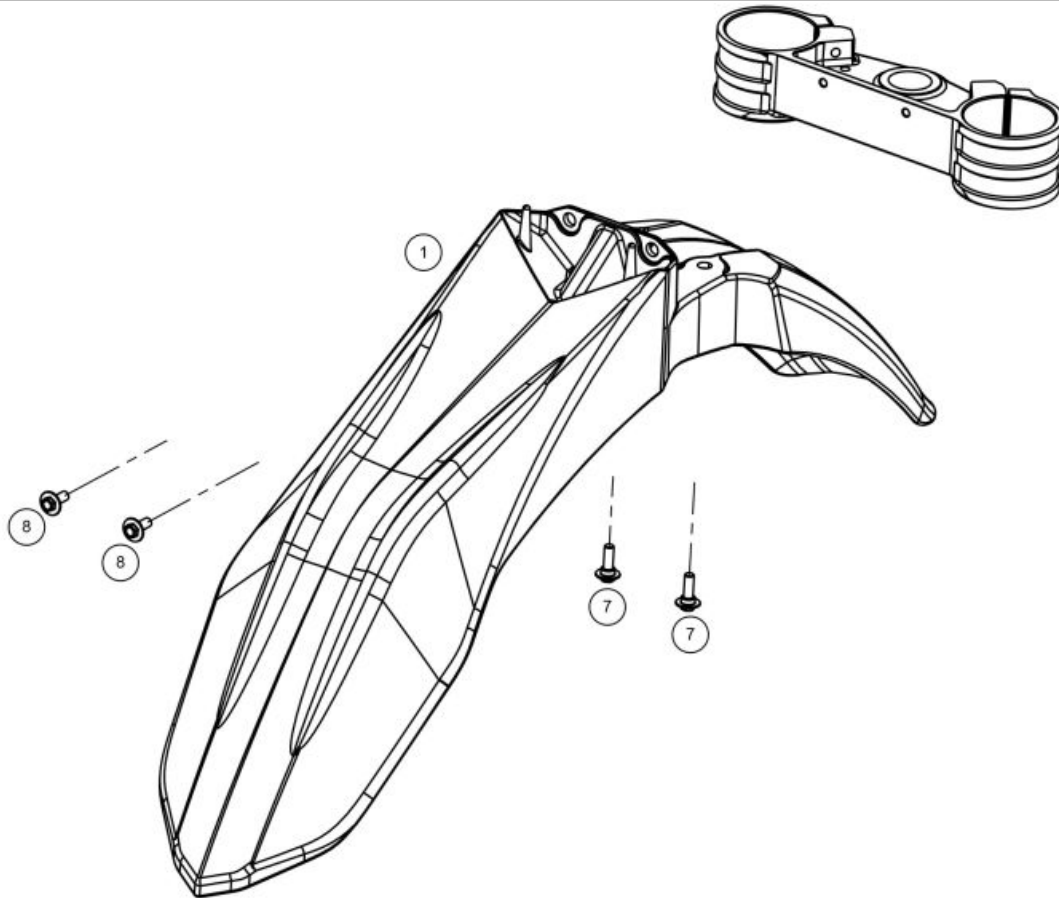
1	RADIATOR LEFT ENDURO 2018 BE70500GG-CLJ-1 (u. 1)
2	RADIATOR RIGHT ENDURO 2018 W/CAP BE70000GG-CLJ-1 (u. 1)
3	CAP RADIATOR ENDURO 2018 BE70150GG-CLJ-1 (u. 1)
4	SILENBLOCK RADIATOR EC BIE500132031 (u. 4)
5	RADIATOR BREATHE HOSE 5X8 ù 39CM BE25632009 (u. 1)
6	TUBE UNION RADIADORES ENDURO 2018 BE71015GG-CLJ-1 (u. 1)
7	COLLARTORRO SIN FIN 10-16 (10107270010) L200060 (u. 2)
8	GRID RADIATOR IZQUIERDA ENDURO 2018 BE73055GG-CLJ-1 (u. 1)
9	GRID RAD. RIGHT ENDURO 2018 BE73050GG-CLJ-1 (u. 1)
10	SCREW SPECIAL 6X10+WASHER T0226010 (u. 1)
11	HEAD BOLT WASHE 6x10x1.5 T4006008 (u. 1)
12	COLLARTORRO WITHOUT FIN 16-27 (10107270027) L200059 (u. 4)
13	TUBE RADIATOR LEFT A CÁRTER LEFT EC 2018 BE71085GG-CLJ-1 (u. 1)
14	RIGHT RADIATOR LOWER HOSE BE71080GG-CAB-1 (u. 1)

<b>15</b>	SET TUBE S RADIADORES-TERMOSTATO EC 2018 BE71010GG-CLJ-1 (u. 1)
<b>16</b>	THERMOSTAT 250 SM BE250432070 (u. 1)
<b>17</b>	21mm HOSE CLAMP L200046 (u. 2)
<b>18</b>	HOSE CLAMP 19mm L200043 (u. 1)
<b>19</b>	HEX BOLT WASHER 6x14 (Fork Brace) T0206014 (u. 4)
<b>20</b>	WASHER 6X20X2 ME85170GG-CAB-1 (u. 4)

**Electrical Part**


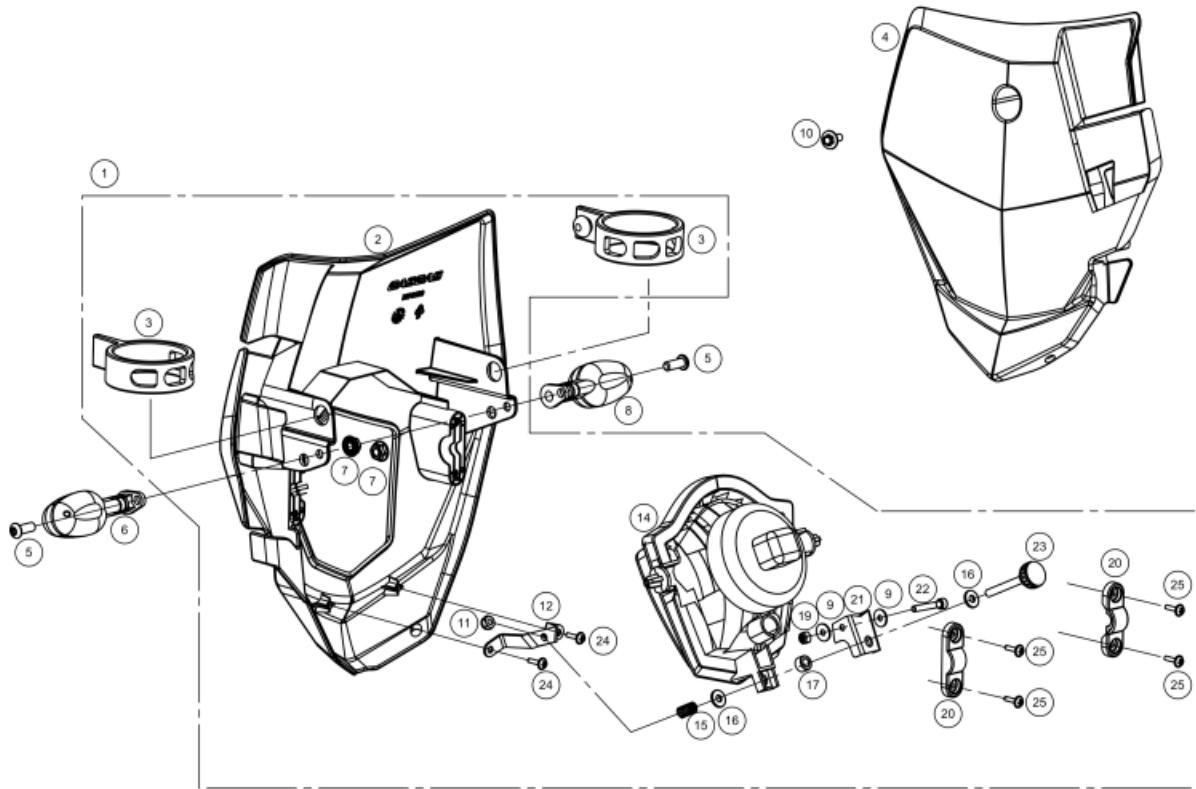
1	FRONT LIGHT EC 2011 EE200002511 (u. 1)
2	HS1 12V3535W HALOGEN BULB L300125 (u. 1)
3	INSTALATION EC EE10000GG-CSK-1 (u. 1)
4	BRACKET FIX .CONECTORES IGNITION ENDURO 2018 EE75050GG-CLJ-1 (u. 1)
5	INST. GEENRAL CROSS COUNTRY XC 2018 EE10010GG-CMV-1 (u. 1)
6	INST.LIGHT NUM-PLATE ENDURO 2018 EE30010GG-CLJ-1 (u. 1)
7	SWITCH START CROSS COUNTRY 2018 EE85505GG-CMV-1 (u. 1)
7	STARTER SWITCH ENDURO 2018 EE60201GG-CLJ-1 (u. 1)
8	PULSER PRING TRIAL 2015 ET85500GG-CGI-1 (u. 1)
9	SPARK PLUG CAP NGK 5k ohm BE25934000 (u. 1)
10	IGNITION COIL ET500003013 (u. 1)
11	SET CDI PROGRAMMED ENDURO GP 300 2019 EE51100CT-CSK-2 (u. 1)
11	CDI EC 200 2019 EE51100CT-CLP-2 (u. 1)
12	BATTERY LITIUM 4.0 Ah, HJTZ7S-FPZ EE40000GG-CSK-1 (u. 1) - BE AWARE WITH THE AIR FREIGHT
13	SPARK PLUG DENSO W24ESRU ME25934000 (u. 1)
14	CABLE POSITIVO BATERIA EC 2019 EE40015GG-CSK-1 (u. 1)
15	CAB. NEGATIVE BATTERY EE40010GG-CLJ-2 (u. 1)
16	CABLE RELE A MOTOR ARRANQUE 20 EE40110GG-CSK-1 (u. 1)

17	MODUL DIODES SHOTKY EE80060GG-CSK-1 (u. 1)
18	HORN EM20400TT-CLR-1 (u. 1)
19	BRACKET HORN ENDURO 2018 EE25400GG-CLJ-1 (u. 1)
20	REGULATOR EE51200GG-CAB-1 (u. 1)
22	STARTING RELAY BFS400134075/2 (u. 1)
23	RUBBER BRACKET RELE STARTER FIJ.VERTICAL EE85205GG-CAK-1 (u. 1)
24	FUSE PROTECTION CAP (B4694-730-00-001) EE851052511 (u. 2)
25	WASHER DIN 6798/A ZINC T4006040 (u. 2)
26	SCREW SPECIAL 6X10+WASHER T0226010 (u. 2)
27	BOLT WITH WASHER AND FIXING ESP 6X12 INOX BT35000073012 (u. 1)
28	CAGE NUT 6mm T2606000 (u. 1)
29	HEX BOLT WASHER 6x14 (Fork Brace) T0206014 (u. 1)
30	FUS. UNI. 20A EE40200GG-CSK-1 (u. 2)
31	DIODES MODULE RUBBER SUPPORT EE80065GG-CSK-1 (u. 1)
32	SWITCH DOBBLE MAP EE51190GG-CSK-1 (u. 1)

**Front dender**


- |          |  |
|----------|--|
| <b>1</b> | FRONT-FENDER EC 2018 RED<br>BE91000GG-CLJ-1 (u. 1) |
| <b>7</b> | SCREW SPECIAL 6X16 PLASTIC<br>T0806016 (u. 2)      |
| <b>8</b> | SCREW ESP.6x7 PLASTIC<br>T0806007 (u. 2)           |

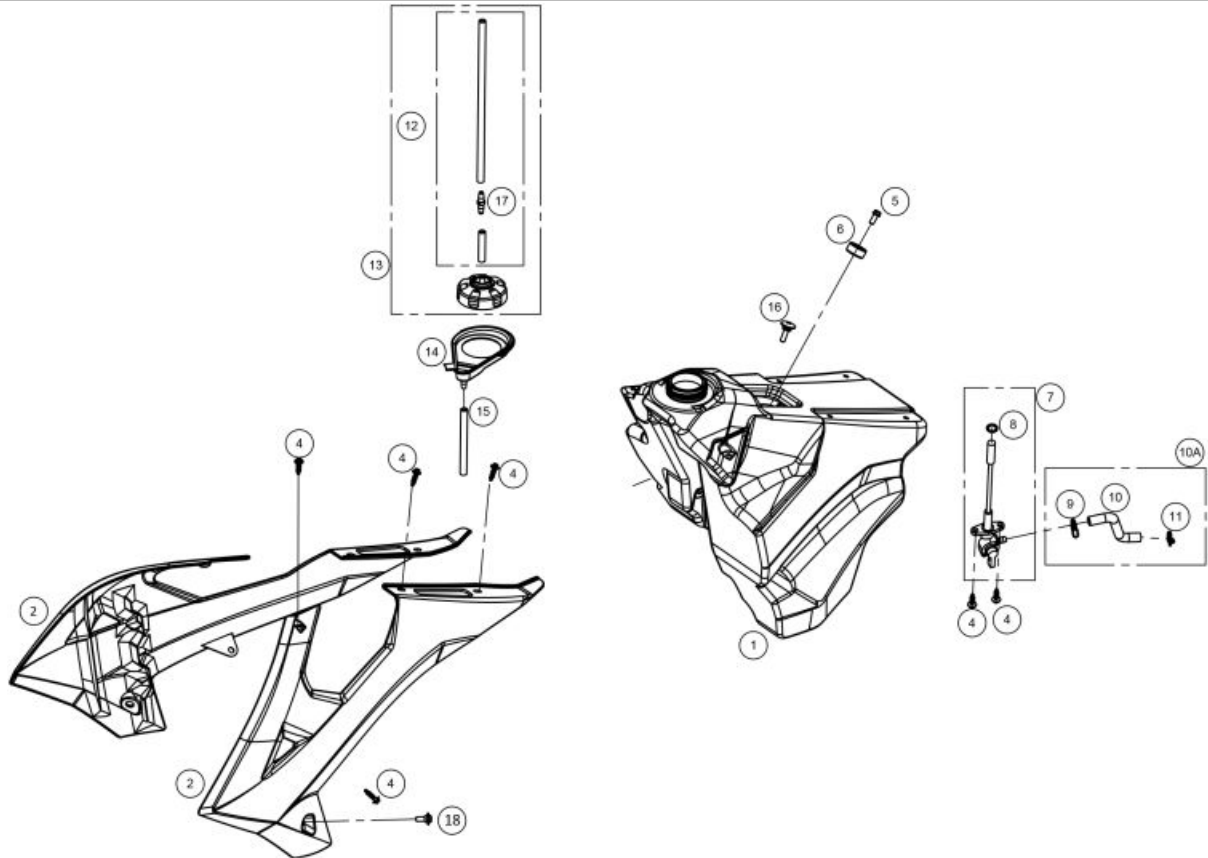
## Head light



1	SET HEADLAMP EC 2018 BE90500CT-CLJ-1 (u. 1)
2	PORTAHEAD-LIGHTL.EC 2018 BL. BE90500GG-CLJ-1 (u. 1)
3	HEADLAMP RUBBER HOLDER BE25636015 (u. 2)
4	FRONT NUMBER-PLATE CROSS COUNTRY 2018 WHITE BE90500GG-MXC-1 (u. 1)
5	6X16 ULS SCREW T0506016N (u. 2)
6	LEFT FRONT INDICATOR BE250634019 (u. 1)
7	6mm Nut w/washer T2206000 (u. 2)
8	RIGHT FRONT INDICATOR BE250634018 (u. 1)
9	4X12X1 WASHER PLANE T4004012 (u. 2)
10	SCREW ESP.6x7 PLASTIC T0806007 (u. 1)
11	SELFLOCKING NUT M5 T2105000 (u. 1)
12	HEAD LIGHT REGULATION SHEET BE90000033012 (u. 1)
13	VISS PALSTIC 4x10 ZINC. T0804010 (u. 2)
14	FRONT LIGHT EC 2011 EE200002511 (u. 1)
15	SCREW REG LAMP SPRING BX250020026 (u. 1)

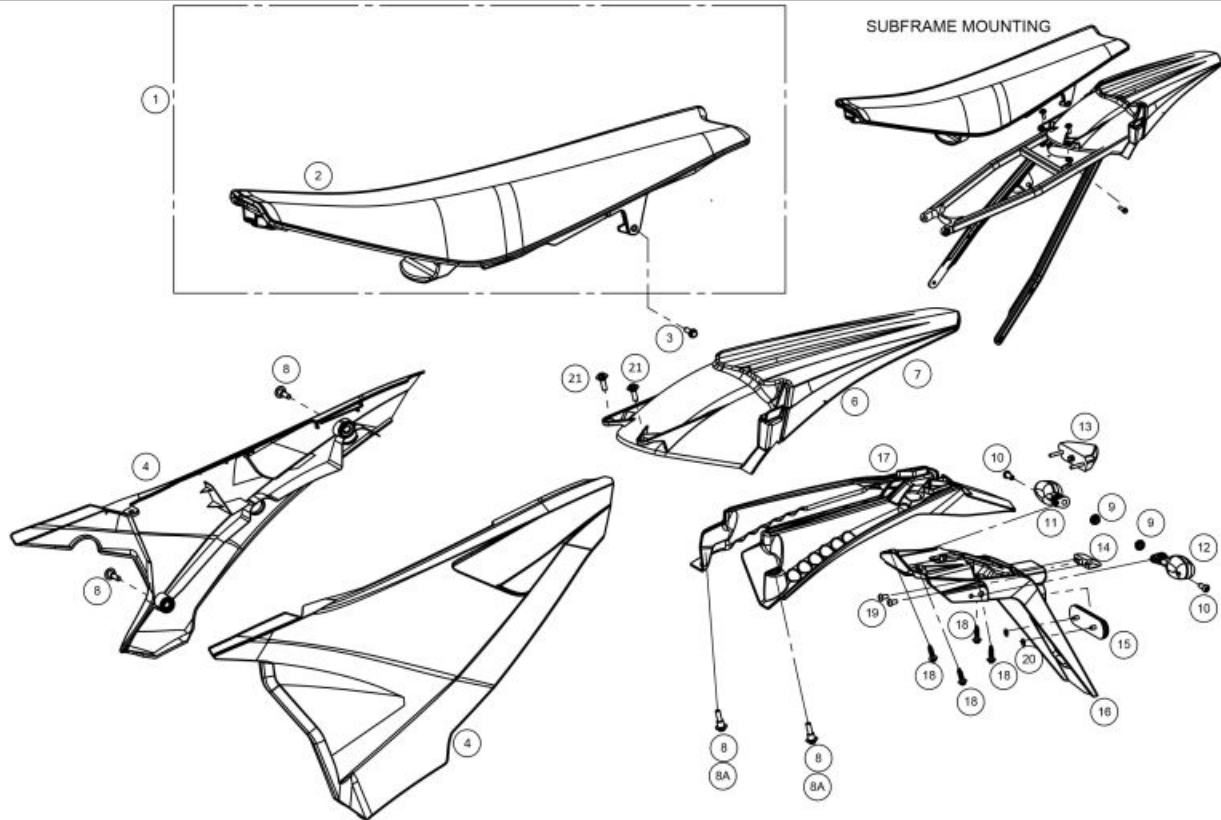
<b>16</b>	WASHER 5x12x1.5 T4005012 (u. 2)
<b>17</b>	ALUMINIUM BUSHING 55X10X6 T90055100006M (u. 1)
<b>18</b>	SPECIAL PLASTIC BOLT 4X12 CELO RF87T ZIN T0804012 (u. 4)
<b>19</b>	NUT LOCKNUT. M4 (DIN 985) T2104000 (u. 1)
<b>20</b>	FRONT SUPPORT HEADLAMP BE905102511 (u. 2)
<b>21</b>	2012 EC HEAD LIGHT REINFORCEMENT REED EE20000013012 (u. 1)
<b>22</b>	ALLEN BOLT, 4X25 ZINC DIN 912 T0304025 (u. 1)
<b>23</b>	REGULATOR BOLT HEADLIGHT ELESA BE35000013012 (u. 1)
<b>24</b>	VISS PALSTIC 4x10 ZINC. T0804010 (u. 2)
<b>25</b>	SPECIAL PLASTIC BOLT 4X12 CELO RF87T ZIN T0804012 (u. 1)



**Fuel Tank**


1	TANK COMBUSTIBLE EUROPA (XPE) ENDURO 2018 BE76000GG-CLJ-1 (u. 1)
2	KIT COVER RADIATOR EC 2019 BE92000CT-CSK-1 (u. 1)
4	TORNILLO ESPECIAL ROSCA PLASTICO CABOTA HEXAGONAL CON ARANDELA 6X20 T0806020 (u. 10)
5	HEX BOLT WASHER 6x14 (Fork Brace) T0206014 (u. 1)
6	SILENTBLOCK+WASHER TANK GASOLIN BE76065GG-CLJ-1 (u. 1)
7	COCK GASOLINE ENDURO 2018 BE76020GG-CLJ-1 (u. 1)
8	10X25 FUEL TAP O/RERING B740120 (u. 1)
9	SPRONG CLAMP BE25610044 (u. 1)
10A	TUBE GASOLINE ENDURO 2018 BE78005GG-CLJ-1 (u. 1)
10	TUBE GASOLINE ENDURO 2018 HOMOLOGATION BE78006GG-CLJ-1 (u. 1)
11	SPRING COLLAR M-12X1.5 BE25610046 (u. 1)
12	FUEL TANK VENT HOSE 26cm BT280310018 (u. 1)
13	SET CAP GASOLINE +TUBE EC 2014 BE76010CT-CAB-1 (u. 1)
14	REBOSA TANK GASOL. BE76050GG-CLJ-1 (u. 1)
15	TUBE REBOSAOF RO TANK GASOLINE ENDURO BE76055GG-CLJ-1 (u. 1)

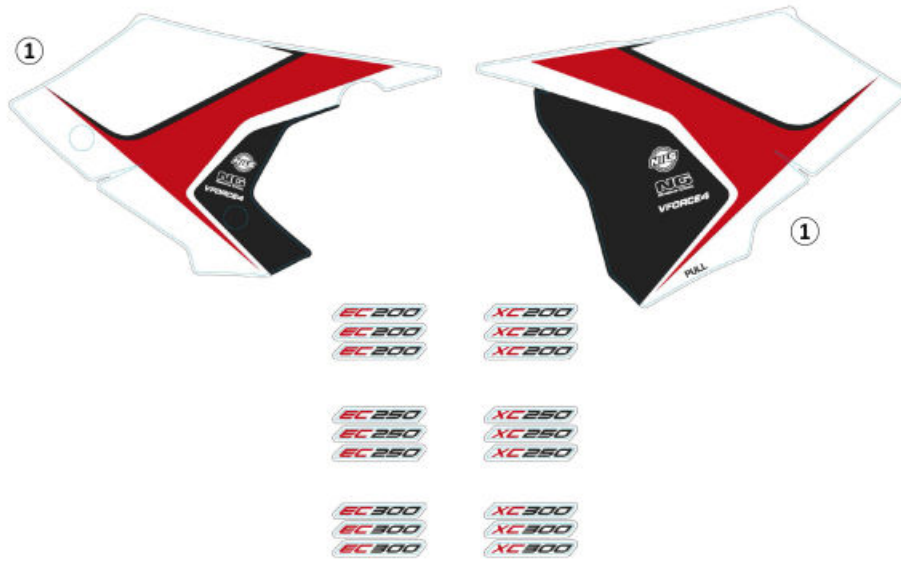
<b>16</b>	TORNILLO ESPECIAL ROSCA PLASTICO CABOTA HEXAGONAL CON ARANDELA 6X20 T0806020 (u. 1)	
	BOLT TANK-SEAT 6x23 (EJOT ref. 05100519) T0806023 (u. 1)	<b>OBSOLETE</b>
<b>17</b>	Fuel Tank Check Valve BT27836025 (u. 1)	
<b>18</b>	BOLT ESPECIAL HEXAGONAL 6X12 T0806012 (u. 2)	

**Rear Plastic Set**


1	SEAT EC 2018 BE94000GG-CLJ-1 (u. 1)
2	SEAT COVER EC 2018 BE94025GG-CLJ-1 (u. 1)
3	SPECIAL BOLT 6x25 T0206025 (u. 1)
4	NUMBER PLATE SET-WHITE EC 2018-2019 BE93000CT-CLJ-1 (u. 1)
6	SET REAR FENDER EC 2018 WHITE. BE93500GG-CLJ-1 (u. 1)
7	REAR FENDER CROSS COUNTRY 2018 WHITE BE93500GG-MXC-1 (u. 1)
8	SCREW SPECIAL 6X16 PLASTIC T0806016 (u. 2)
9	6mm Nut w/washer T2206000 (u. 2)
10	6X16 ULS SCREW T0506016N (u. 2)
11	RIGHT REAR INDICATOR BE250634021/2 (u. 1)
12	LEFT REAR INDICATOR BE250634022/2 (u. 1)
13	LIGHT TAIL LIGHT REAR LED EE30000GG-CLJ-1 (u. 1)
14	LIGHT NUM-PLATE (HD008000) BE30020GG-CLJ-1 (u. 1)
15	CATADIOPTIC 700R ENDURO 2007 BQ300234125/2 (u. 1)
16	REGIST PLATE HOLOF R HOMOLOGATION BE93910GG-CLJ-1 (u. 1)

<b>17</b>	REGIST PLATE HOLOF R SHORT EC 2018 BE93900GG-CLJ-1 (u. 1)
<b>18</b>	TORNILLO ESPECIAL ROSCA PLASTICO CABOTA HEXAGONAL CON ARANDELA 6X20 T0806020 (u. 4)
<b>19</b>	ULS TORX WITH ARAND.4X08 INOX (BN 10649) T0574008 (u. 2)
<b>20</b>	GRAPA 02110396 SRRM-5 CATADRIOPTICO BQ300234126 (u. 2)
<b>21</b>	BOLT ESPECIAL HEXAGONAL 6X12 T0806012 (u. 2)

## Decal Kit



**1** SET STICKERS RADITORS COVERS EC 2019  
 BE95110CT-CSK-1 (u. 1)

STICKER CIL. 250 ENDURO  
 BE95135GG-CLK-1 (u. 1)

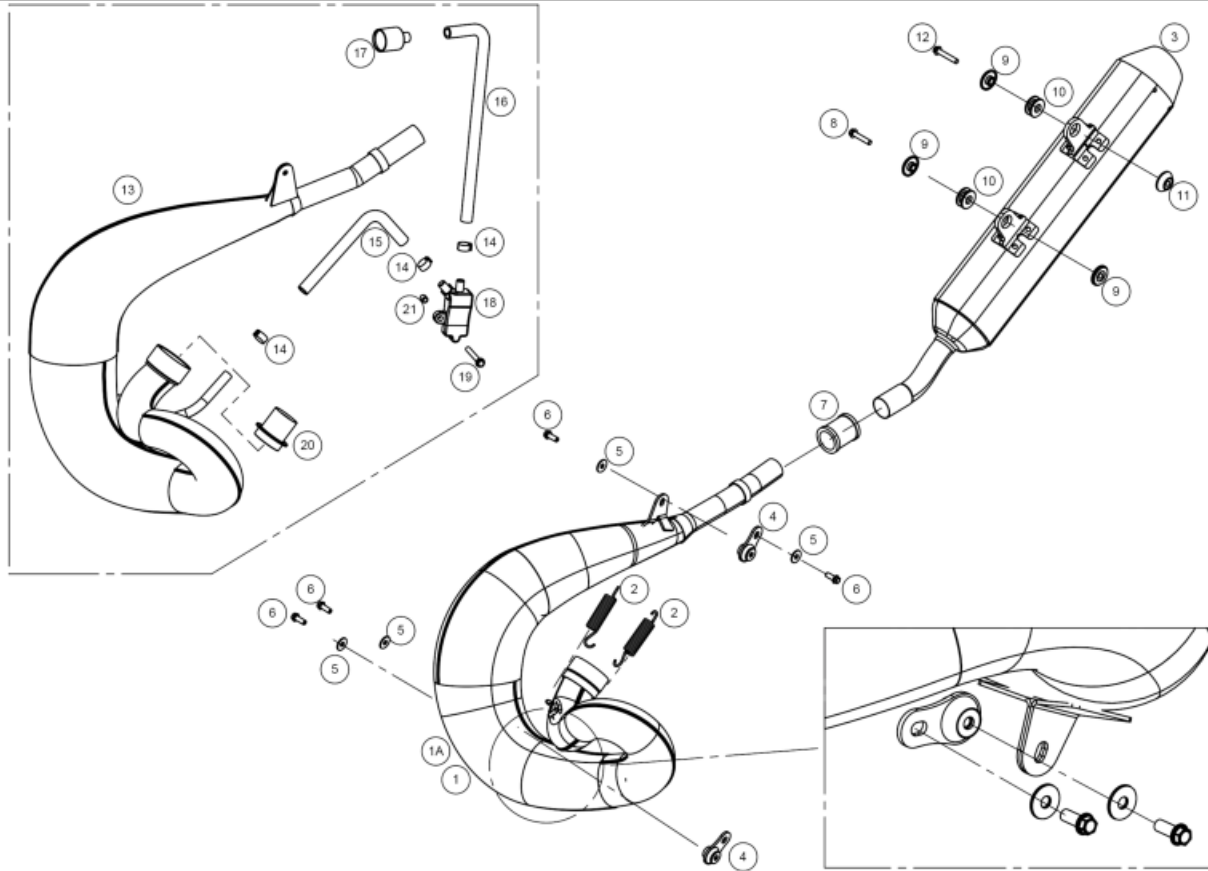
**2** DECAL CC 300 ENDURO 2018  
 BE95135GG-CLJ-1 (u. 1)

ADHESIVO CILINDRADA 200 ENDURO 2018  
 BE95135GG-CLP-1 (u. 1)

CILINDER STICKER 250 USA 2018  
 BE95135GG-CMW-1 (u. 1)

**3** CILINDER STICKER 125 RACING USA 2014  
 BE95135GG-CMY-1 (u. 1)

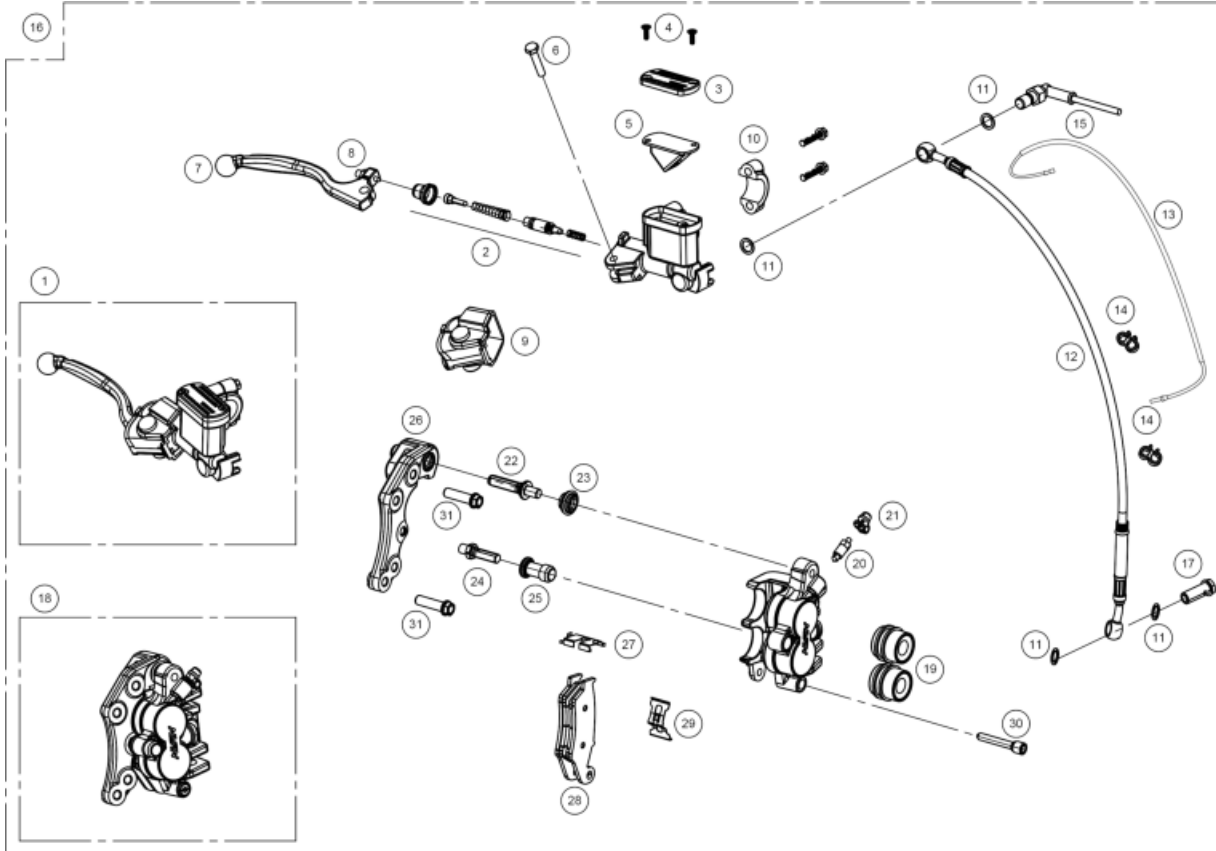
STICKER 300 MXC 2018  
 BE95135GG-CMV-1 (u. 1)

**Exhaust**


1	EXHAUST EC 2018 BE86001GG-CLJ-1 (u. 1)
2	SPRING EXHAUST EC BE86050GG-EKF-1 (u. 2)
3	FINAL SILENCER FMF POWERCORE 2.1 GASGAS BE87000GG-CLJ-1 (u. 1)
4	SILENBLOCK EXHAUST ENDURO BE86055GG-CEQ-1 (u. 2)
5	WASHER 6x18x1.5 T4006018 (u. 4)
6	6x16 HEX HEAD WASHER T0206016 (u. 4)
7	EXHAUST RUBBER GASKET BE25626003 (u. 1)
8	ALLEN BOLT 6x30 T0206030 (u. 1)
9	BUSH SILENCER SHORT EC 2018 BE87301GG-CLJ-1 (u. 3)
10	SILENBLOCK MUFFLER EC 2018 BE86055GG-CLJ-1 (u. 2)
11	BUSH SILENCER LONG ENDURO 2018 BE87300GG-CLJ-1 (u. 1)
12	SPECIAL BOLT 6X35 T0206035 (u. 1)
13	EXHAUST EC 2018 HOMOL. BE86000GG-CLJ-1 (u. 1)
14	CLAMP 15 (COBRA15/8 W4) L200053 (u. 3)

<b>15</b>	VALVE TO FILTER RUBBER TUBE BE785502509 (u. 1)
<b>16</b>	EXHAUST TO VALVE RUBBER TUBE BE785551209 (u. 1)
<b>17</b>	SECONDARY AIR FILTER BT280626059 (u. 1)
<b>18</b>	AIS VALVE BE785652509 (u. 1)
<b>19</b>	HEAD SCREW 6x60 T0206060 (u. 1)
<b>20</b>	CATALIZER EC250-2002 BE250226250 (u. 1)
<b>21</b>	LOAD LIMITER BUSH ME250036019 (u. 1)

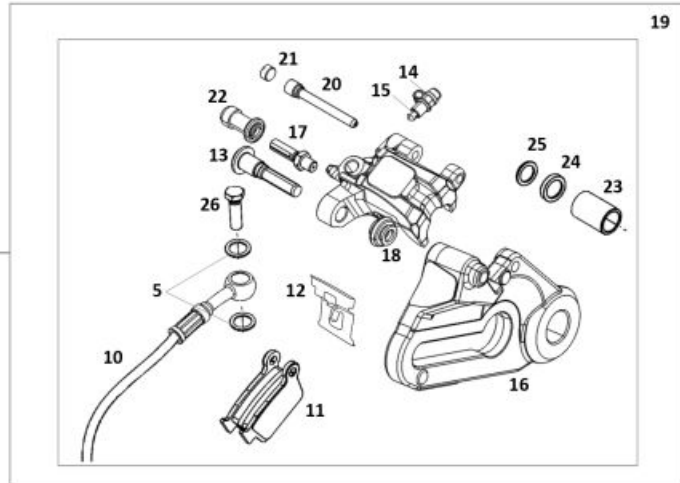
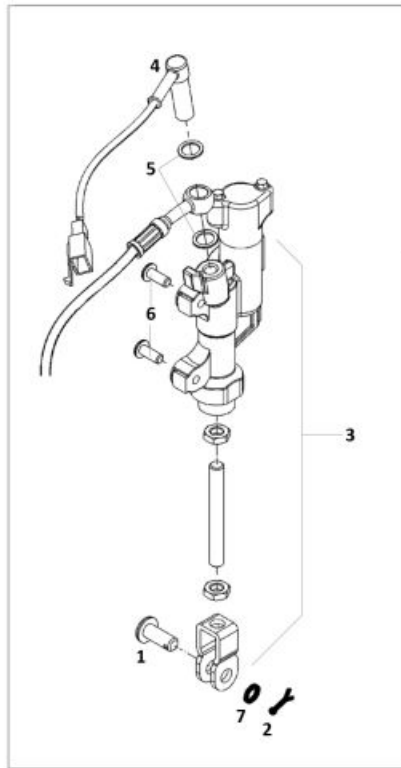
**Front brake**



- |    |  |
|----|--|
| 1  | <b>BRAKE MASTER CYLINDER</b><br>BC25922008/2 (u. 1)        |
| 2  | <b>ØA6 BRAKE PUMP PISTON KIT</b><br>BC25922219 (u. 1)      |
| 3  | <b>BRAKE PUMP COVER</b><br>BC25922210 (u. 1)               |
| 4  | <b>BRAKE PUMP SCREW</b><br>BC25922217 (u. 2)               |
| 5  | <b>NOFOAM RUBBER</b><br>BC25922216 (u. 1)                  |
| 6  | <b>SPECIAL SCREW</b><br>BC25922212 (u. 1)                  |
| 7  | <b>FRONT BRAKE LEVER RACING</b><br>BC250022045R (u. 1)     |
| 8  | <b>PUMP LEVER TENSOR</b><br>BC25922218 (u. 1)              |
| 9  | <b>DUST COVER</b><br>BC25922213 (u. 1)                     |
| 10 | <b>BIG CLAMP</b><br>BC25922211 (u. 1)                      |
| 11 | <b>HOSE WASHER 10X4X1</b><br>BE25622007 (u. 4)             |
| 12 | <b>FRONT BRAKE HOSE</b><br>BE250422002 (u. 1)              |
| 13 | <b>TT MULTIFUNCTION HOSE</b><br>BE250634050 (u. 1)         |
| 14 | <b>SPEEDO CABLE HOLDER CLIP 2008</b><br>EE650202508 (u. 2) |
| 15 | <b>PUMP STOP SWITCH</b><br>BE250334003 (u. 1)              |

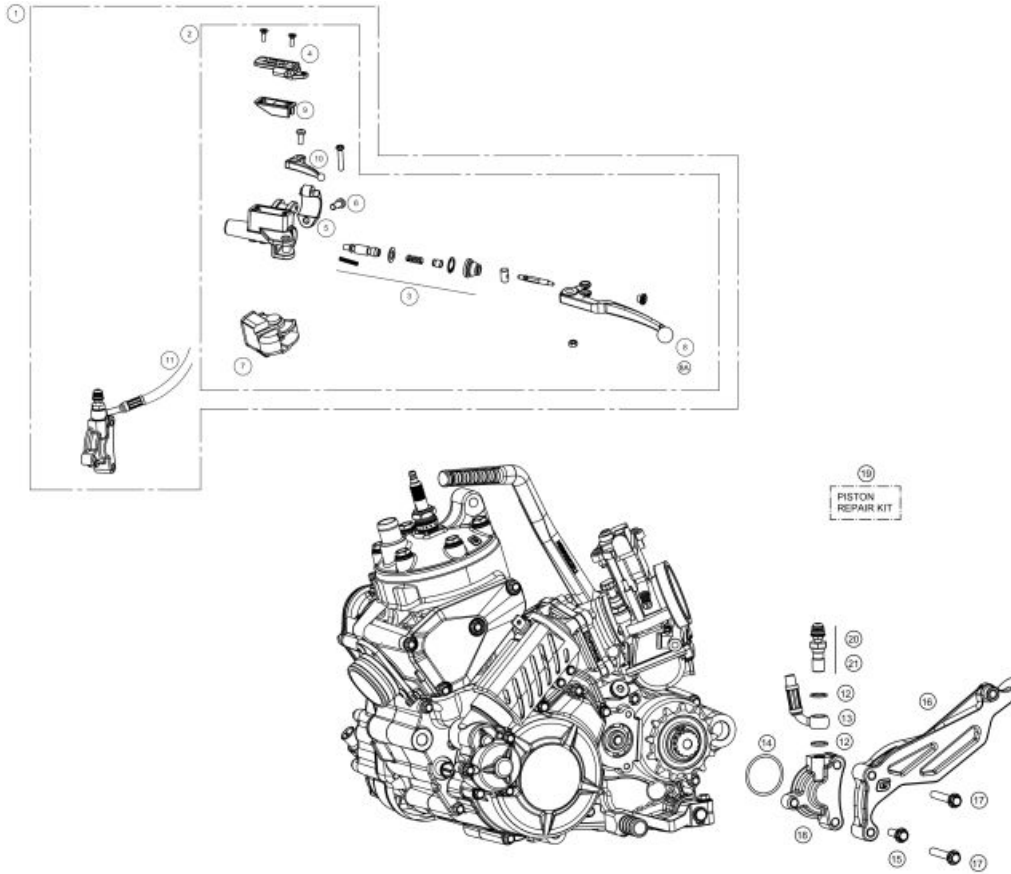


16	FRONT BRAKE SET BE250422108 (u. 1)	
	FRONT BRAKE CROSS COUNTRY 2018 BE60000CT-CMV-1 (u. 1)	
17	HOSE HOLDER RACORD 10X125 BC25722006 (u. 1)	
18	FRONT BRAKE CALIPER BE250722000 (u. 1)	
19	FRONT BRAKE CALIPER PISTON BE620422508 (u. 1)	
20	BLEEDER SET BE620602508 (u. 1)	
21	BLEEDER CAP BE250022055 (u. 1)	
22	GUIDE SCREW BE250022092 (u. 1)	
	TORN.CLAVILLA A PINZA FRENO DEL. BE250022043 (u. 1)	<b>OBSOLETE</b>
23	FRONT BRAKE CALIPER BLEEDER BE620682508 (u. 1)	
24	FRONT BRAKE CALIPER BOLT BE250022034 (u. 1)	
25	SUPPORT WITH MAGNET SET BE620692508 (u. 1)	
26	FRONT CALIPER SUPPORT BE620102508 (u. 1)	
27	FRONT BRAKE PADS HOLDER BRACKET (B) BE620122508 (u. 1)	
28	FRONT BRAKE PADS BE620652508 (u. 1)	
29	FRONT BRAKE PADS HOLDER BRACKET (A) BE620112508 (u. 1)	
30	FRONT BRAKE PADS PIN BE250022041 (u. 1)	
31	SCREW SPECIAL 8X30 T0228030 (u. 2)	

**Rear Brake**


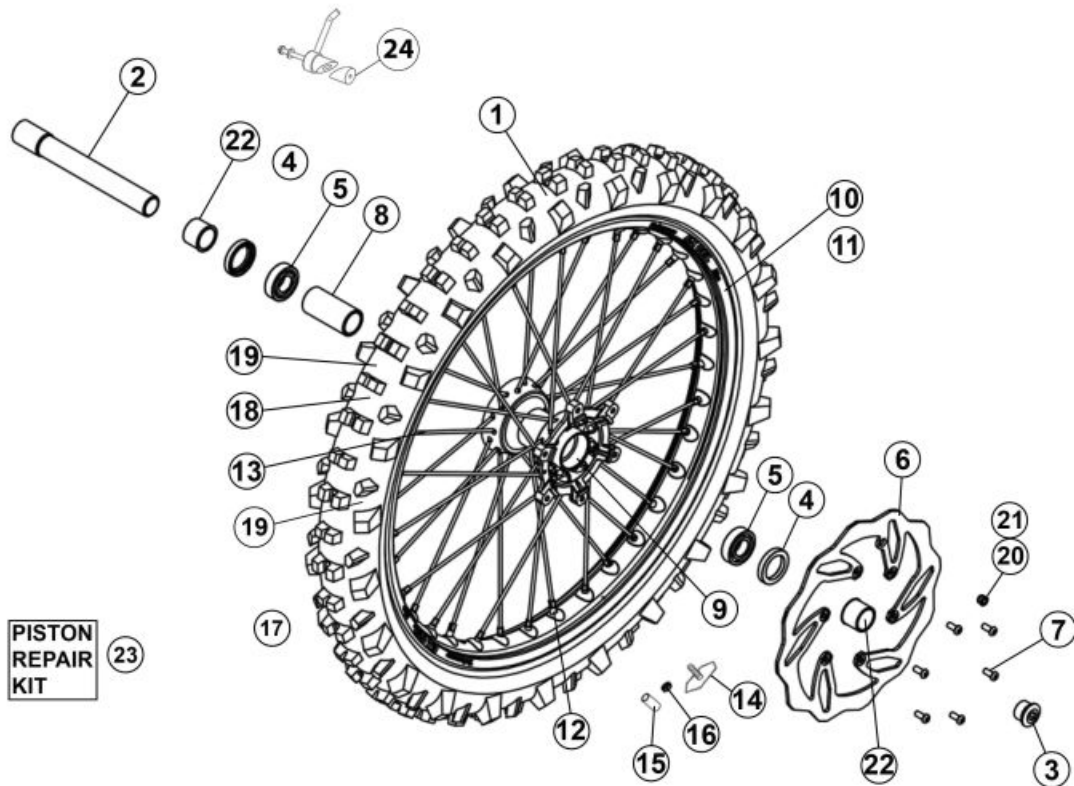
1	BRAKE PEDAL PIN 8X20 BE25622026 (u. 1)
2	2X20 BRAKE PEDAL PIN STOPPER BE25622027 (u. 1)
3	SET. PUMP BRAKE REAR EC 2018 BE66000GG-CLJ-1 (u. 1)
4	PUMP STOP SWITCH BE250334003 (u. 1)
5	HOSE WASHER 10X4X1 BE25622007 (u. 4)
6	6x16 HEX HEAD WASHER T0206016 (u. 2)
7	Washer, 8x16 T4008016 (u. 1)
8	SHORT UNEX CLAMP 2.5x98 BE25634010 (u. 3)
9	SET BRAKE REAR EC-2018 BE65000CT-CLJ-1 (u. 1) CTO.FRENO TRASERO CROSS COUNTRY 2018 BE65000CT-CMV-1 (u. 1)
10	NISSIN REAR BRAKE HOSE BE661002509 (u. 1)
11	NISSIN REAR BRAKE PADS BE675002509 (u. 1)
12	REAR BRAKE PADS HOLDER BRACKET (B) BE250022091 (u. 1)
13	CALIPER HOLDER SCREW BE250022096 (u. 1)
14	BLEEDER CAP BE250022055 (u. 1)

15	BLEEDER BE250022060 (u. 1)
16	REAR CALIPER SUPPORT BE671002509 (u. 1)
17	FRONT BRAKE CALIPER BOLT BE250022034 (u. 1)
18	DUST COVER BE675802509 (u. 1)
19	REAR BRAKE SET BE67000CT2509 (u. 1)
20	BRAKE PADS PIN BE250022094 (u. 1)
21	NISSIN PROTECTOR PIN BE250022095 (u. 1)
22	SUPPORT WITH MAGNET SET BE620692508 (u. 1)
23	REAR BRAKE CALIPER PISTON BE675602509 (u. 1)
24	REAR BRAKE CALIPER PISTON O/RING BE675502509 (u. 1)
25	RETEN PINZA FRENO TRAS.EC-2009 BE675552509 (u. 1)
26	HOSE HOLDER RACORD 10X125 BC25722006 (u. 1)

**Clutch**


<b>1</b>	COMPLETE MAGURA CLUTCH PUMP, 9.5 (167) BE45000003011 (u. 1)
<b>2</b>	CLUTCH PUMP MAGURA 9,5 (167) 0020747 BE45000013011 (u. 1)
<b>3</b>	PISTON KIT, 9.5mm (0723184) BE45000043011 (u. 1)
<b>4</b>	COVER OIL MINERAL (0723164) BE45000053011 (u. 1)
<b>5</b>	CLAMP, HOLDER BE45000063011 (u. 1)
<b>6</b>	BOLT 6x20 T0206020 (u. 1)
<b>7</b>	DUST SHIELD BE45000093011 (u. 1)
<b>8A</b>	LONG CLUTCH LEVER BE45000033011 (u. 1)
<b>8</b>	LEVER CORTA CLUTCH(0723121) BE45000023011 (u. 1)
<b>9</b>	MEMBRANAPÀSITO (0723162) BE45000103011 (u. 1)
<b>10</b>	CHOKE LEVER BE45000073011 (u. 1)
<b>11</b>	CLUTCH HOSE BE250522003 (u. 1)
<b>12</b>	HOSE WASHER 10X4X1 BE25622007 (u. 2)
<b>13</b>	CLUTCH HOSE BE250522003 (u. 1)

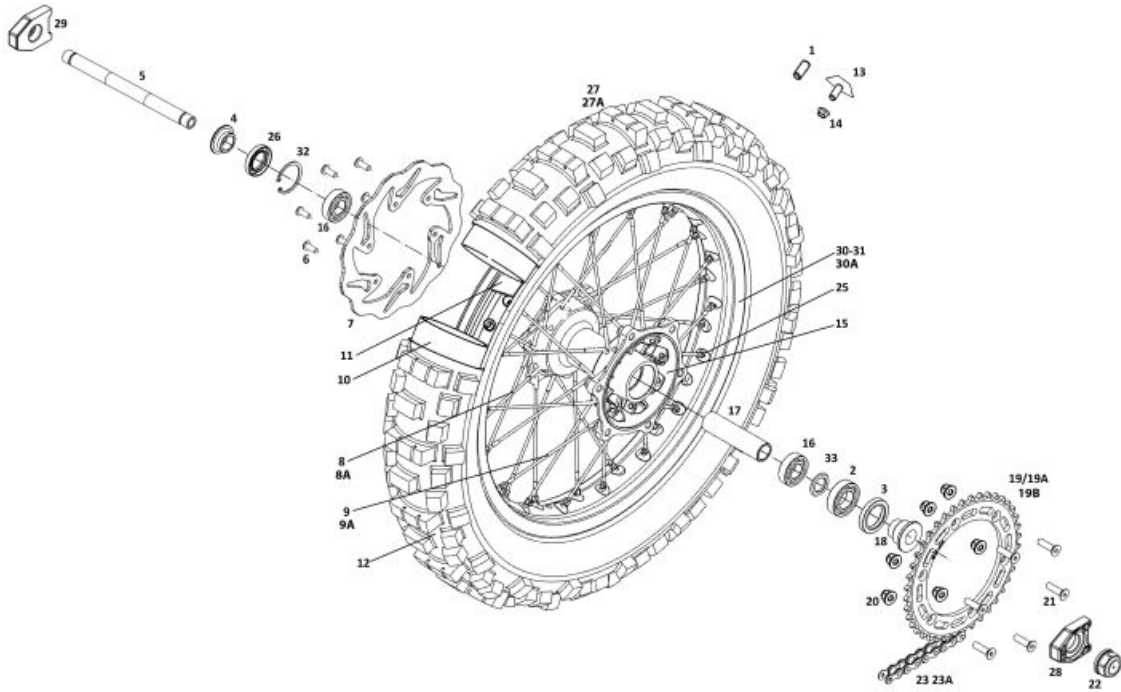
14	CLUTCH PUMP OÆRING ME25632024 (u. 1)	
15	BOLT 6x20 T0206020 (u. 1)	
16	CHAIN SLIDER KIT 3 COMP. BE43015CT-CLJ-1 (u. 1)	
17	HEAD SCREW 6x50 T0206050 (u. 2)	
18	BOMBIN CLUTCH550.00.006C ME250632026 (u. 1)	
19	REPAIR CLUTCH KIT OIL EC BE250622050 (u. 1)	
20	TAP.SANGRADOR TT BE25622055 (u. 1)	<b>OBSOLETE</b>
	Bleeder Cap BT27922055 (u. 1)	
21	Bleeder, Pro Rear Brake Caliper BE25622060 (u. 1)	

**Front Wheel**


1	FRONT WHEEL EC RACING 2018 BE50000CT-CLJ-1 (u. 1)
2	FRONT WHEEL AXLE EC 2011 20.8CM BE53000R3011 (u. 1)
3	FRONT WHEEL AXIS BOLT BE250718026 (u. 1)
4	FRONT WHEEL GASKET BE250418057 (u. 2)
5	Front Wheel Bearing 04 Pro ME120136055 (u. 2)
6	DISC BRAKE FRONT ENDURO 2018 BE52000GG-CLJ-1 (u. 1)
7	EXAG.6x14+ARANDELA 10.9 GEOMET T0246014 (u. 1)
8	SPACER BE250418058 (u. 1)
9	FRONT WHEEL HUB BE54110GG-CAB-1 (u. 1)
10	RIM, FRONT, BLACK, EXCEL EC-2009 BE54001R2509 (u. 1)
11	SET RIM FRONT SPOKES-MOUNTED EC 2018 BE54000CT-CLJ-1 (u. 1)
12	TUERCA RADIO DEL. BE542503013 (u. 36)
13	RADIO DEL.EC-2013 BE542003013 (u. 36)
14	FRONT TIRE HOLDER 1.6x21 BE505002509 (u. 1)

15	FR. TIRE HOLDING BUSHING EC-2010 8X12X12 BE555102510 (u. 1)
16	NYLOCK NUT 8mm T2108001 (u. 1)
17	FRONT TIRE 90/90-21 MICHELIN BE501002511 (u. 1)
18	FRONT AIR HOSE 21 BE502002511 (u. 1)
19	FRONT RIM BAND 1.60/1.85x21 BE503002511 (u. 1)
20	MAGNET EC 2010 BE520502510 (u. 1)
21	SEGEER A 9 DIN 471 BRACKET MAGNET EC 2010 BE520602510 (u. 1)
22	FRONT WHEEL SPACER BC250418019 (u. 2)
23	SET BEARINGS AND SEALS FRONT WHEEL EC BE51000CT2510 (u. 1)
24	FRONT SHAFT PULLER EC BE536002511 (u. 1)

**Rear Wheel**



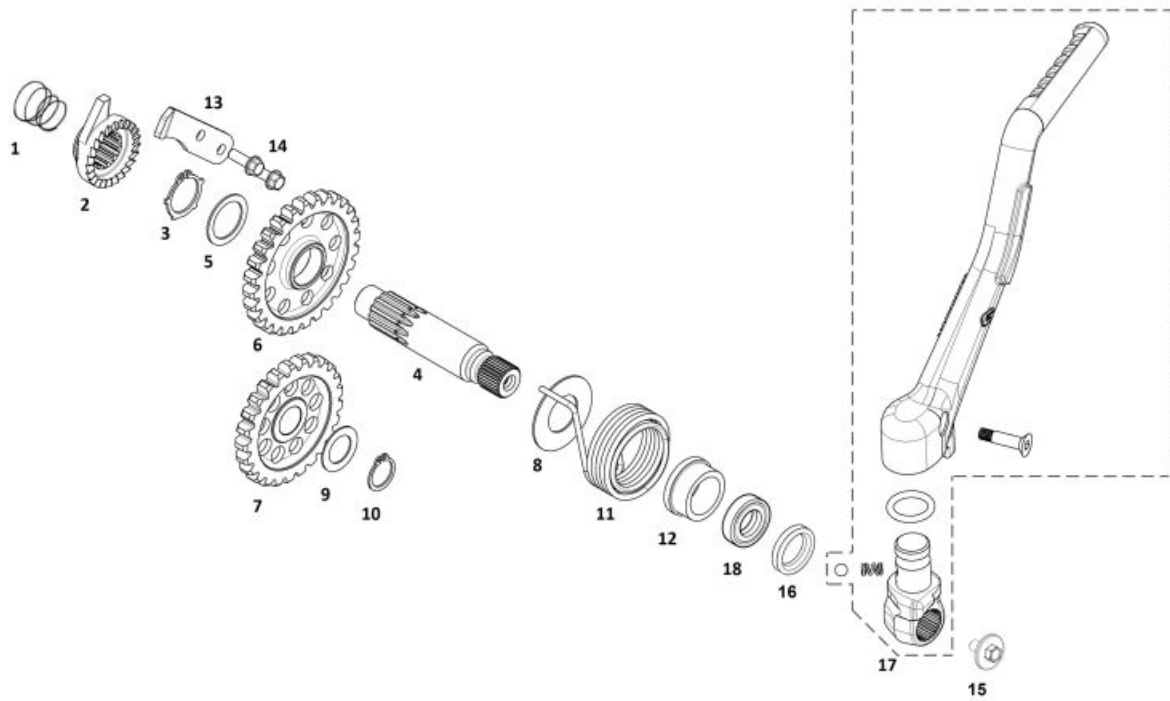
1	FR. TIRE HOLDING BUSHING EC-2010 8X12X12 BE555102510 (u. 1)
2	WHEEL BEARING BE250318054 (u. 1)
3	REAR WHEEL SEAL BE250318055 (u. 1)
4	SHORT REAR WHEEL SPACER BE250018025 (u. 1)
5	AXLE WHEEL REAR EC 2018 BE58000GG-CLJ-1 (u. 1)
6	HEX BOLT WASHER 6x14 (Fork Brace) T0206014 (u. 6)
7	DISC BRAKE REAR ENDURO 2018 BE57000GG-CLJ-1 (u. 1)
8	RADIO 192x4,5 LADO BRAKE 18" BE59200GG-CLJ-1 (u. 18)
9	RADIO 188X4.5 LADO CROWN 18" BE59210GG-CLJ-1 (u. 18)
10	REAR AIR HOSE . ME-CR18F NHS M/CV1-09-1 BE552002511 (u. 1)
11	REAR RIM BAND BE553002511 (u. 1)
12	REAR TYRE 120/90-18 M/C 65 MEDIUM R TT BE55100GG-CSM-1 (u. 1)
	REAR TIRE 140/80-18 MEDIUM R BE551002511 (u. 1)
13	REAR TYRE HOLDER 2.15x18 BE555002509 (u. 1)

**OBSOLETE**



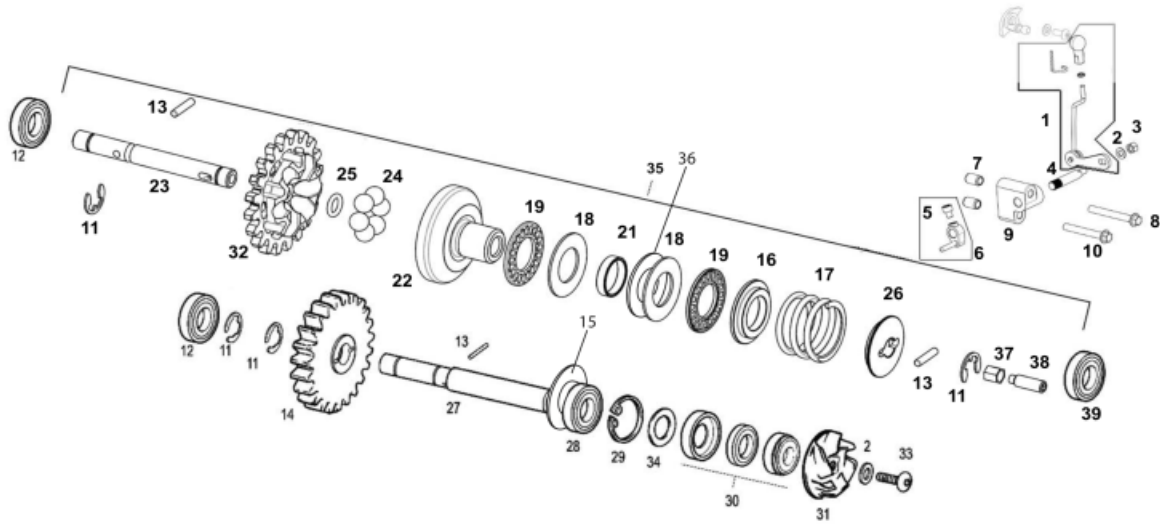
14	NYLOCK NUT 8mm T2108001 (u. 1)
15	REAR WHEEL HUB EC 2018 BE59100GG-CLJ-1 (u. 1)
16	Wheel Bearing 60042RS C160001 (u. 2)
17	DISTANCING INTER. REAR ENDURO 2018 BE59105GG-CLJ-1 (u. 1)
18	BUSH WHEEL REAR LEFT. ENDURO 2018 BE58110GG-CLJ-1 (u. 1)
19	SPROCKET Z42 BE250118034SM (u. 1)
	Z49 SPROCKET BC25818024 (u. 1)
	Z48 SPROCKET BE573002511 (u. 1)
	SPROCKET, Z50 EC 2014 COLOR TITANIUM BE57300GG-CAF-1 (u. 1)
20	NUT 8mm NYLOCK WASHER T2208002 (u. 6)
21	ALLEN BOLT 8x30 T0408030 (u. 6)
22	NUT WHEEL REAR ENDURO 2018 BE58020GG-CLJ-1 (u. 1)
23	CHAIN OPEN 135 ZRA 112 PASOS CON CLIP BE57800GG-CLJ-1 (u. 1)
24	CHAIN OPEN 110 LINKS BE57801GG-CLJ-1 (u. 1)
25	REAR SPOKE NUT BE592153013 (u. 36)
26	FRONT WHEEL GASKET C160710 (u. 1)
27	CTO. WHEEL REAR EC RACING 2018 BE55000CT-CLJ-1 (u. 1)
28	TENSOR CHAIN RIGHT ENDURO 2018 BE44001GG-CLJ-1 (u. 1)
29	TENSOR CHAIN LEFT ENDURO 2018 BE44002GG-CLJ-1 (u. 1)
30	SET RIM REAR SPOKES-MOUNTED EC 2018 BE59000CT-CLJ-1 (u. 1)
31	BLACK RIM 180X215 BE59001R2509 (u. 1)
32	SEEGER RING D42 BE25618038 (u. 1)
33	INTERIOR HUB WASHER BE250318056 (u. 1)
34	CHAIN SPLIT LINK ENDURO 2018 BE57810GG-CLJ-1 (u. 1)

## **EC 2T 2019 - Engine**

**Starting Lever**


1	Kickstart spring ME25636006 (u. 1)
2	Inner K/Start Gear TXT ME120126004 (u. 1)
3	CIRCLIP ME25636052 (u. 1)
4	KICKSTARTER SHAFT ME250126003 (u. 1)
5	END WASHER 27X202X1 ME25636000 (u. 1)
6	KICKDRIVE GEAR ME250126002 (u. 1)
7	KICKSTART INNER PINION ME880002508 (u. 1)
8	KICKSTARTER WASHER 20X40X1 ME25636051 (u. 1)
9	WASHER 241515X08 ME25636012 (u. 1)
10	Circlip 15 M02623000 (u. 1)
11	KICK START SPRING ME86000GG-CAB-1 (u. 1)
12	KICKSTART SPRING BUSHING ME86500GG-CAB-1 (u. 1)
13	KICKSTART RATCHET BRACKET ME25636005 (u. 1)
14	HEAD SCREW 5x15 T0205015 (u. 2)
15	VISS ESPECIAL 6X11 10.9 T0226011 (u. 1)
16	BUSH PEDAL ARRANQUE EC 2014 ME89025GG-CAB-1 (u. 1)

<b>17</b>	KICKSTART PEDAL SET ME89000CT2511 (u. 1)
<b>18</b>	KICKSTARTER OIL SEAL 20X30X7 ME25632021 (u. 1)

**Water Pump**


**1** SET PUSHER VALV.EXHAUST COMPLETE EC 2015  
ME72325CT-CEQ-1 (u. 1)

**2** WASHER 5x12x1.5  
T4005012 (u. 2)

**3** SELFLOCKING NUT M5  
T2105000 (u. 1)

**4** AXLE LEVER CENTRIFUGAL  
ME59035GG-CEQ-1 (u. 1)

**5** ALLEN BOLT 5X6  
T0305006 (u. 1)

**6** SET LEVER CENTRIFUG. EC  
ME59045CT-CEQ-1 (u. 1)

**7** ENGINE CASE LOCATER BUSHING  
M01017000 (u. 2)

**8** HEAD SCREW 6x60  
T0206060 (u. 1)

**9** BRACKET AXLE MANDO VALVE EC 2015  
ME59040GG-CEQ-1 (u. 1)

**10** HEAD SCREW  
T0206040 (u. 1)

**11** SEEGER DIN6799E7  
ME25616024 (u. 4)

**12** 508Z BEARING  
ME25616032 (u. 2)

**13** IMPELLER WATER PUMP NEEDLE 3X14  
ME25616028 (u. 3)

**14** WATER PUMP PINION  
ME25610005 (u. 1)

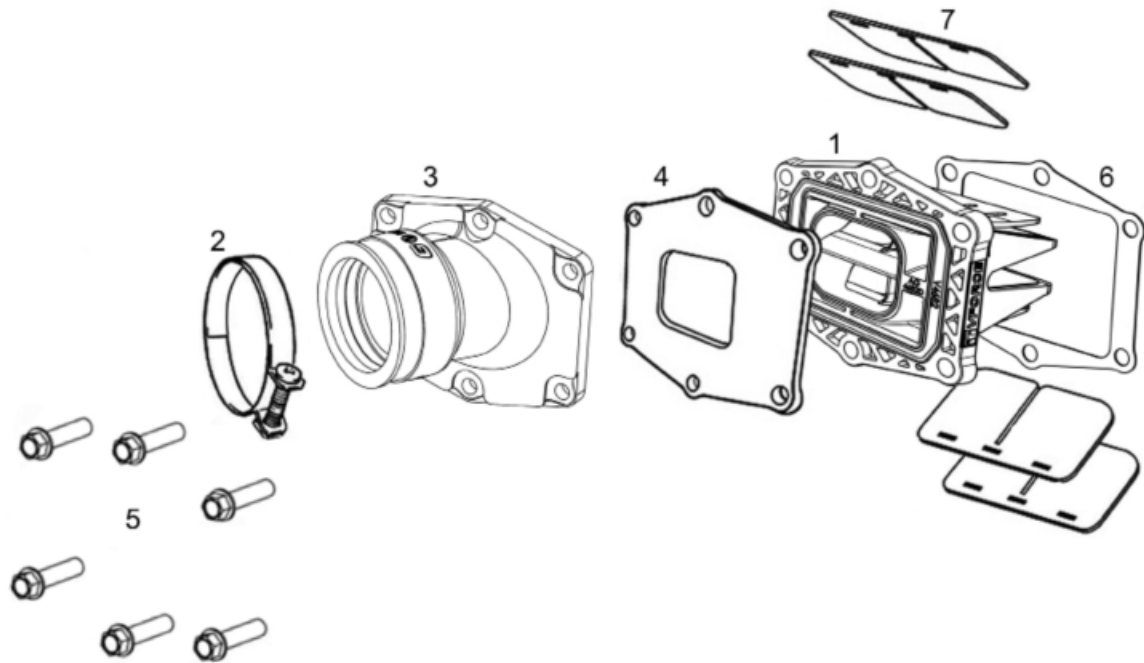
**15** 10X19X05 WASHER  
MFS450526516 (u. 1)

**16** CENTRIFUGAL SPRING RETAINER  
ME59026GG-CEQ-1 (u. 1) - 250cc / 300cc

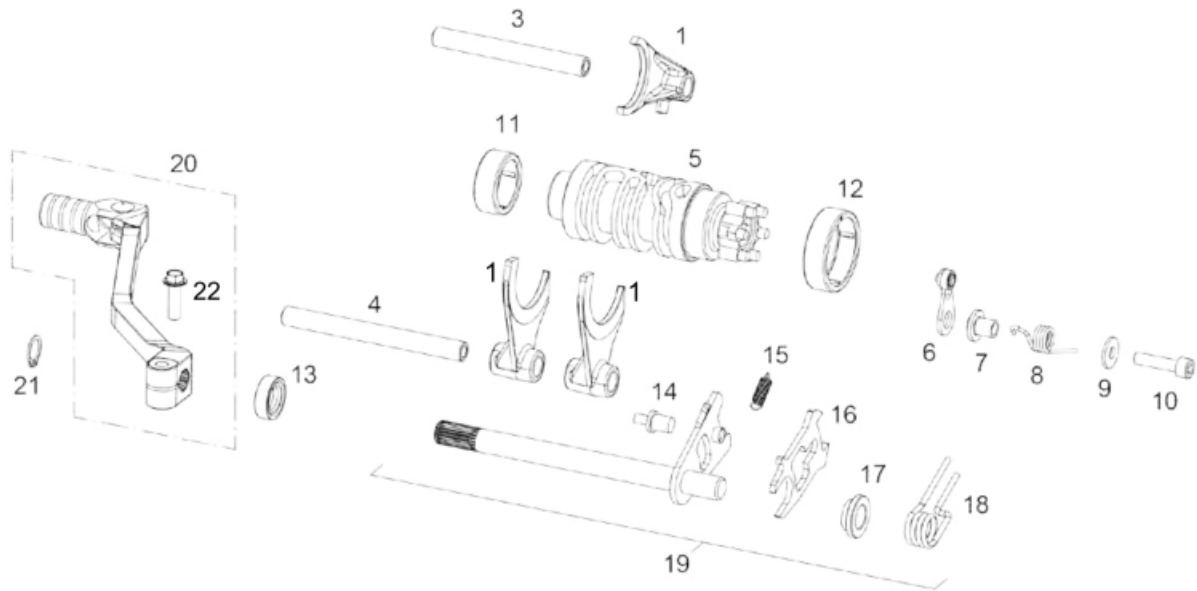
CENTRIFUGAL SPRING RETAINER  
ME59026GG-CDQ-1 (u. 1) - 200cc

**17** EXHAUST VALVE SPRING 99  
ME25916026 (u. 1) - 250cc / 300cc

18	BEARING WASHER ME25632016 (u. 2)
19	NEEDLES BEARING AXK 1528 ME25632046 (u. 2)
21	SPACER ME25616008 (u. 1)
22	CLUCTH OUTER CENTRIFUGAL EC 2015 ME59030GG-CEQ-1 (u. 1)
23	AXLE CENTRIFUGAL EC 2015 ME59015GG-CEQ-1 (u. 1)
24	8mm Clutch Ball Bearing 50cc ME25616033 (u. 6)
25	6X2 O/RERING ME25616045 (u. 1)
26	ARAMOF LA APYO SPRING EC 300 2015 ME59025GG-CEQ-1 (u. 1) - 250cc / 300cc
	ARANDELA DE APOYO MUELLE EC 200 2015 ME59025GG-CDQ-1 (u. 1) - 200cc
27	WATER PUMP PINION AXIS ME25610006 (u. 1)
28	BEARING 6000 C3Z=M03313001 ME25610010 (u. 1)
29	WATER PUMP SEEGER 26 ME25636065 (u. 1)
30	Waterpump Seal TX50 ME25610011 (u. 1)
31	WATER PUMP IMPELLER ME56000GG-CAB-1 (u. 1)
32	PINION CENTRIFUGAL EC 300 2015 ME59050GG-CEQ-1 (u. 1)
33	BUTTONHEAD ALLEN BOLT 6x16 T0506016 (u. 1)
34	Secondary Washer 26x17 M03625000 (u. 1)
35	CENTRIFUGAL COMPLETE EC 200 2015 ME59000CT-CLP-1 (u. 1) - 200cc
	CENTRIFUGAL COMPLETE EC 300 2015 ME59000CT-CEQ-1 (u. 1) - 250cc / 300cc
36	WASHER Y00.25406408 (u. 1)
37	NUT HEX. 6 M5 T2706050 (u. 1)
38	BOLT AJUSTE HEXA.INT.M5X16 T0325016 (u. 1)
39	RODAMIENTO BOL. 619/8-ZZ ME21500GG-CEQ-1 (u. 1)

**Reed valve**


1	<b>REED VALVE ASSEMBLY V-FORCE 4</b> ME25000GG-CAB-1 (u. 1)
2	<b>CLAMP S56/9 W1</b> MT280316132 (u. 1)
3	<b>MANIFOLD ADMISION ENDURO 2018</b> ME26000GG-CLJ-1 (u. 1)
4	<b>SEAL BOX REED VALVES MANIFOLD ENDURO 2018</b> ME44105GG-CLJ-1 (u. 1)
5	<b>SPECIAL BOLT 6x25</b> T0206025 (u. 6)
6	<b>CRANKCASE REED VALVE GASKET</b> ME94600GG-CAB-1 (u. 1)
7	<b>REED VALVE SET</b> ME27000GG-CAB-1 (u. 2)

**Axis Gearshift**


**1** SET PRIMA. AND SECOND ENDURO 2018  
ME47000CT-CLJ-1 (u. 1)

**3** SHORT FORK AXIS 5-6  
ME25636045 (u. 1)

**4** FORK AXIS 1-2-3-4  
ME25636044 (u. 1)

**5** SHIFT CAM EC  
ME250536031 (u. 1)

**6** GEAR LEVER END  
ME250036033CT (u. 1)

**7** GEAR BUSHING  
ME25636047 (u. 1)

**8** GEAR FASTEN SPRING  
ME250036034 (u. 1)

**9** Washer 6x16x1.5  
T4006016 (u. 1)

**10** SPECIAL BOLT 6x25  
T0206025 (u. 1)

**11** SHIFT CAM BEARING  
ME25636055 (u. 1)

**12** SHIFT CAM BEARING  
ME25636054 (u. 1)

**13** SEAL 12227  
ME25636048 (u. 1)

**14** SELECTOR SPRING SCREW  
ME25636042 (u. 2)

**15** SCORPION SPRING  
ME25636039 (u. 1)

**16** SCORPION  
ME250236036 (u. 1)

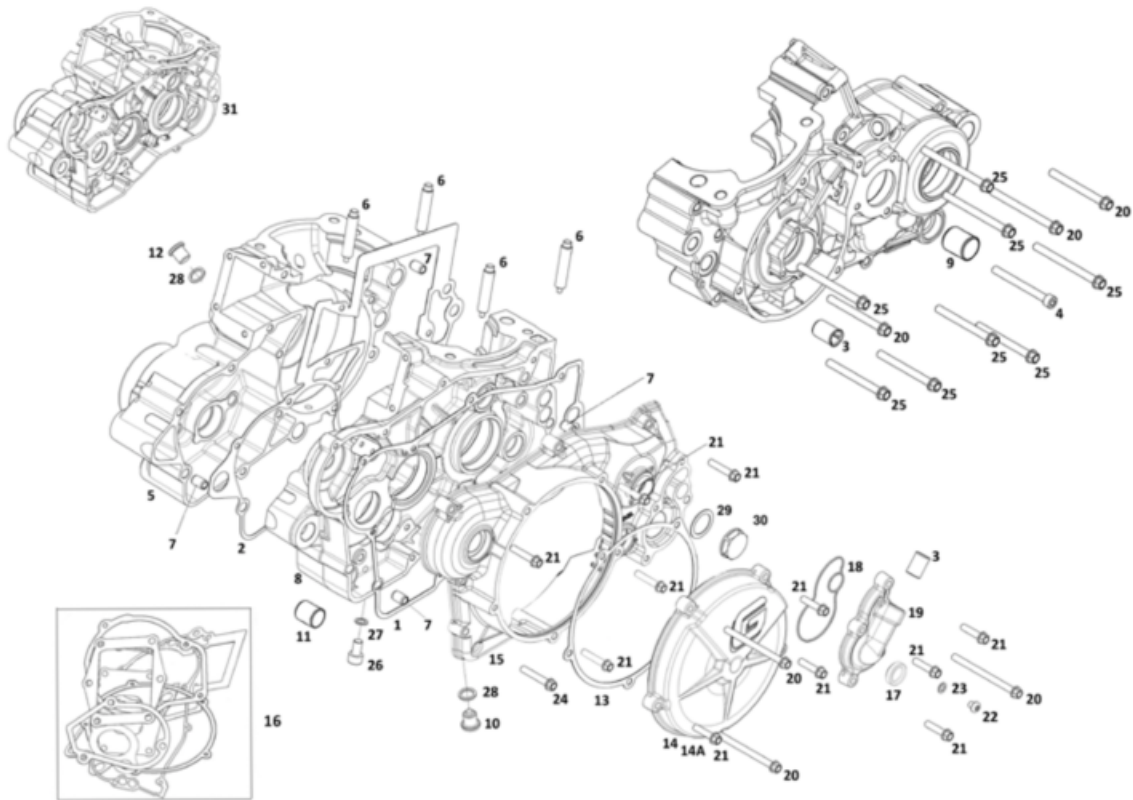
**17** SCORPION CENTRER BUSHING  
ME250236041 (u. 1)

**18** SELECTOR SPRING  
ME25636035 (u. 1)

**19** GEAR FASTEN SET  
ME250236038CT (u. 1)

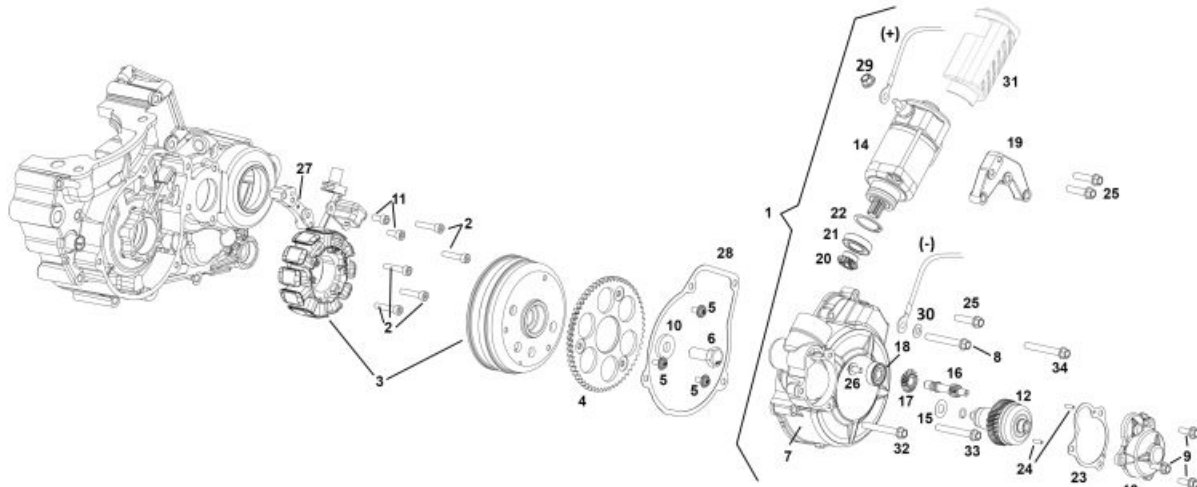


<b>20</b>	<b>GEAR LEVER SET RF2014</b> ME49000CT-CDH-1 (u. 1)
<b>21</b>	<b>SEEGER 12X1</b> ME25636043 (u. 1)
<b>22</b>	<b>BOLT 6x20</b> T0206020 (u. 1)

**Engine crankcase**


1	CLUTCH COVER GASKET 0,5mm ME25644002 (u. 1)
2	GASKET CRANKCASE 2018 ME94000GG-CLJ-1 (u. 1)
3	WATER INLET FITTING ME57015GG-CAB-1 (u. 2)
4	Allen Bolt 6x60 T0306060 (u. 1)
6	CYLINDER PIN ME25616023 (u. 4)
7	ENGINE CASE LOCATER BUSHING M01017000 (u. 4)
9	Brake Pedal Bushing 12X15. C200101 (u. 1)
10	PLUG EMPTY OIL ME10910GG-CSK-1 (u. 1)
11	Brake pedal bushing 12X12 BE25610009 (u. 1)
12	PLUG LOAD OIL ME10900GG-CSK-1 (u. 1)
13	DISCS COVER GASKET 2014 ME22015GG-CAB-1 (u. 1)
14	COVER DISC CLUTCH GRAY ME22010GG-CLJ-1 (u. 1)
15	COVER CLUTCH GRAY RAL (9006) ME65000CT-CLJ-1 (u. 1)
16	SET GASKETS 250-300 EC 2018 ME94610CT-CLJ-1 (u. 1)
17	SIGHT GLASS OIL MFS400110015 (u. 1)

18	WATER PUMP COVER GASKET ME57010GG-CAB-1 (u. 1)
19	COVER PUMP WATER GRIS ME57000GG-CLJ-1 (u. 1)
20	HEAD SCREW T0206075 (u. 6)
21	SPECIAL BOLT 6x25 T0206025 (u. 11)
22	SCREW SPECIAL 6X10+WASHER T0226010 (u. 1)
23	HEAD BOLT WASHE 6x10x1.5 T4006008 (u. 1)
24	SPECIAL BOLT 6X35 T0206035 (u. 1)
25	HEAD SCREW 6x60 T0206060 (u. 8)
26	ALLEN BOLT 8X14 T0308014 (u. 1)
27	Copper Washer 8x12x1 (cyl. Bolt) T4008012 (u. 1)
28	SPARK PLUG WASHER MT280410030 (u. 2)
29	O-RING 20 x 1.5 NBR 70 ME65110GG-CEQ-1 (u. 1)
30	CAP ADJUSTMENT CENTRIFUGAL ME65100GG-CEQ-1 (u. 1)
31	SET CRANKCASE ENDURO 200 2018 ME10000CT-CLP-1 (u. 1) - 200cc
	CRANKCASE KIT EC2018 ME10000CT-CLJ-1 (u. 1) - 250cc / 300cc
32	ENGINE CASE LOCATER BUSHING M01017000 (u. 2)
33	ALLEN BOLT 6x30 T0206030 (u. 5)

**Generator**


**1** KIT STARTER ELECTRIC EC 2015  
EE80000CT-CBR-3 (u. 1)

**2** Allen Bolt 5x25  
T0305025 (u. 5)

**3** SET FLYWHEEL EC 250-300 2019  
EE70000CT-CSK-1 (u. 1)

**4** ELECTRIC START SPROCKET EC 2015  
EE80200GG-CBR-2 (u. 1)

**5** TORX SCREW 5X8  
050808BB (u. 3)

**OBSOLETE**

**5** TORX CABEZA ABOM.WASHER 5X8  
T0455008 (u. 3)

**6** VISS EXAG. 10x25  
T02010025 (u. 1)

**7** COVER IGNITION EC 2015  
ME60100GG-CBR-3 (u. 1)

**8** HEAD SCREW  
T0206040 (u. 1)

**9** HEAD SCREW 5x15  
T0205015 (u. 3)

**10** Washer, Pro magneto bolt  
T4001024 (u. 1)

**11** Allen Bolt 5x10  
T0305010 (u. 2)

**12** BENDIX KIT EC 2015  
EE80110CT-CBR-1 (u. 1)

**13** COVER BENDIX EC 2015  
EE80130GG-CBR-2 (u. 1)

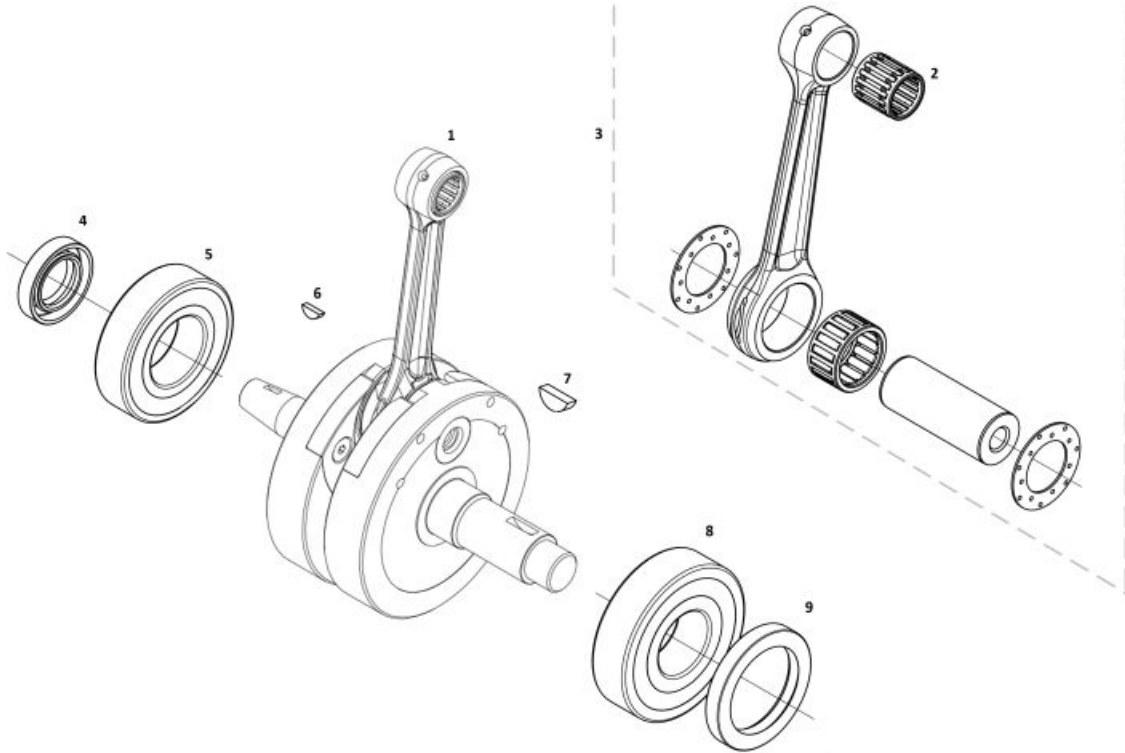
**14** STARTING-ENGINE.EC 2015 PHI50mm  
EE80000GG-CBR-2 (u. 1)

**15** WASHER  
ME25616070 (u. 2)

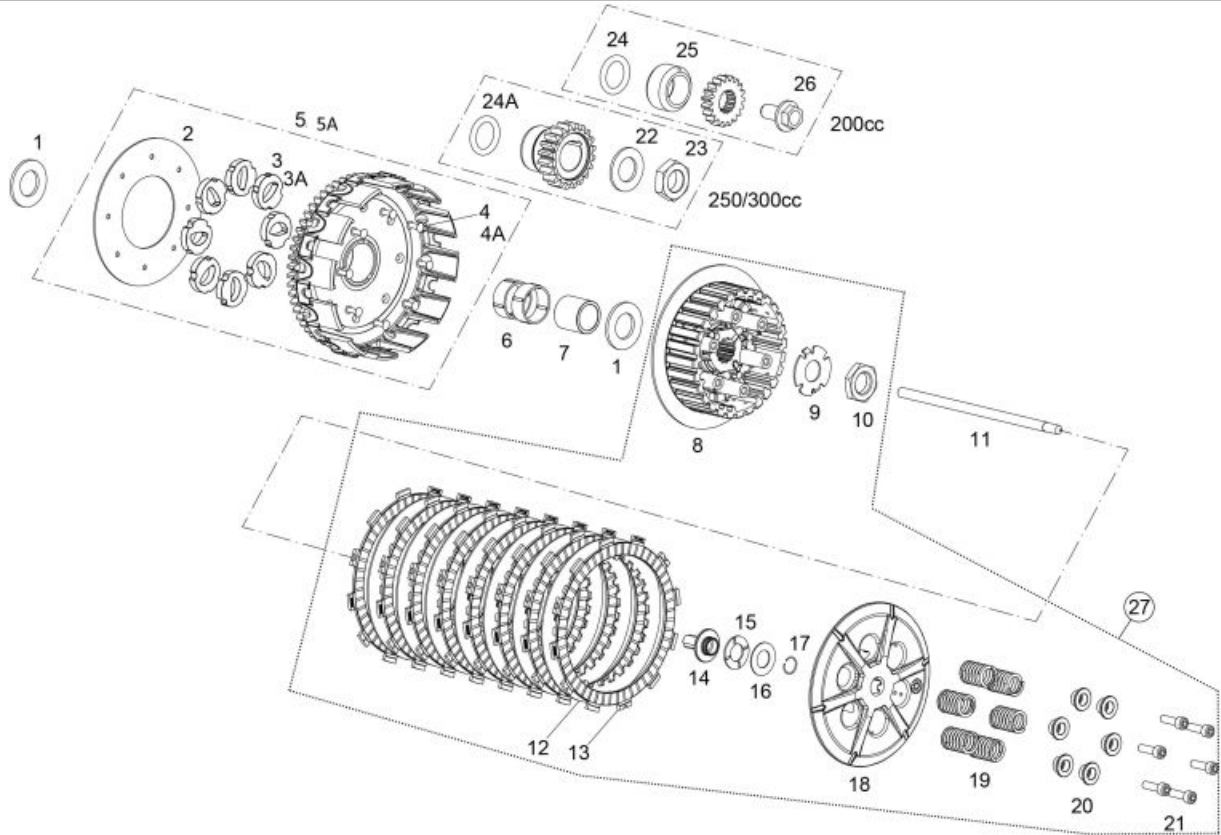
**16** AXLE STARTER ELECTRIC Z10 M0.8  
EE80120GG-CBR-4 (u. 1)

**17** PINION HELECOIDAL CONICOL (ZONE AXLE)  
EE80117GG-CBR-1 (u. 1)

18	508Z BEARING ME25616032 (u. 1)
19	ELECTRIC START ENGINE BRACKET EC 2015 EE80050GG-CBR-3 (u. 1)
20	PINION HELECOIDAL CONICOL(ZONE M.STARTER) EE80116GG-CBR-1 (u. 1)
21	BRG. 61902-2ZC4 EE80070GG-CBR-1 (u. 1)
22	SEEGER DIN-472-DIAM 28X1.2 EE80055GG-CBR-1 (u. 1)
23	SEAL COVER BENDIX EC 2015 EE80135GG-CBR-1 (u. 1)
24	NOZZLE DIN5402-3 TYPE BF DIAM-3X9.8 FLAT EE80140GG-CBR-1 (u. 2)
25	SPECIAL BOLT 6x25 T0206025 (u. 3)
26	TORX SCREW M5X12 - 0.8 . 051208BB (u. 1)
27	ADAPTOR PULSER HIDRIA EC 2014 V2 EE70216GG-CAB-2 (u. 1)
28	GASKET COVER IGNITION ME94500GG-CSK-1 (u. 1)
29	6mm Nut w/washer T2206000 (u. 1)
30	WASHER 6x12x1.5 T4006012 (u. 1)
31	COVER STARTER ELECTRIC EC 2018 EE85100GG-CLJ-1 (u. 1)
32	ALLEN BOLT 6X45 T0306045 (u. 1)
33	6X40 SPECIAL SCREW T0306040 (u. 1)
34	HEAD SCREW 6x50 T0206050 (u. 1)

**Crankshaft**


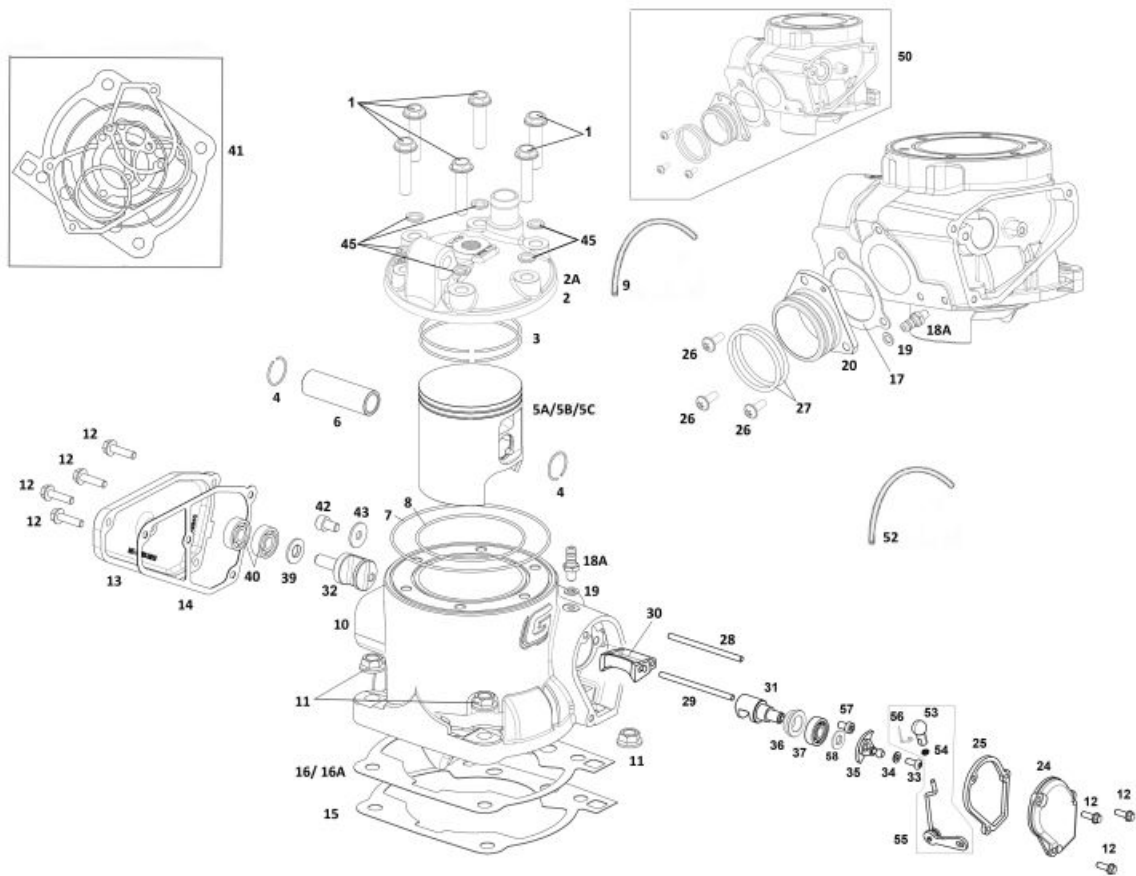
<b>1</b>	<b>CRANCKSHAFT EC200-2014</b> ME30000CT-CBT-1 (u. 1) - 200cc <b>SET CRANCKSHAFT ENDURO 2018</b> ME30000CT-CLJ-1 (u. 1) - 250cc / 300cc
<b>2</b>	<b>Piston Pin Bearing Pro</b> ME25616035 (u. 1)
<b>3</b>	<b>CONECTING ROD ENDURO 250</b> ME25612100 (u. 1)
<b>4</b>	<b>LEFT SIDE CRANK SHAFT SEAL</b> ME250112009 (u. 1)
<b>5</b>	<b>BRG. CRANCKSHAFT LEFT 6206- TN9/C4</b> ME31010GG-CLJ-1 (u. 1)
<b>6</b>	<b>Flywheel Key Pro</b> MT280234016 (u. 1)
<b>7</b>	<b>CRANKSHAFT KEY</b> ME31030GG-CAB-1 (u. 1)
<b>8</b>	<b>BRG. CRANCKSHAFT RIGHT 63/28-HN3/C3 GXN</b> ME31015GG-CLJ-1 (u. 1)
<b>9</b>	<b>Crank Seal 38/52 Pro</b> ME250112008 (u. 1)

**Clutch**


1	CLUTCH 2T BELL WASHER ME25632011 (u. 2)
2	CLUTCH BOSS WASHER ME20932009 (u. 1)
3	SILENTBLOCK ME20932008 (u. 8)
4	PRIMARY DRIVEN GEAR RIVETS ME250132010 (u. 8)
5	COMPLETE CLUTCH BASKET EC ME21000CT-CAB-1 (u. 1) - 250cc / 300cc PRIMARY DRIVEN GEAR SET EC200 ME20932003CT (u. 1) - 200cc
6	PRIMARY DRIVEN GEAR BEARING ME25632029 (u. 2)
7	PRIMARY DRIVEN GEAR BUSHING ME25632012 (u. 1)
8	CLUTCH BOSS ENDURO 2018 ME22005GG-CLJ-1 (u. 1)
9	CLUTCH LOCK WASHER ENDURO 2018 ME21120GG-CLJ-1 (u. 1)
10	CLUTCH BOSS NUT ME25632028 (u. 1)
11	CLUTCH ROD ME25632040 (u. 1)
12	IRON CLUTCH DISK ME22105GG-CLJ-1 (u. 7)
13	COVERED CLUTCH DISK ME25632007 (u. 8)
14	CLUTCH PRESSURE PLATE BUSHING ME23100GG-CAB-1 (u. 1)

15	NEEDLES BEARING AXK 1528 ME25632046 (u. 1)
16	BEARING WASHER ME25632016 (u. 1)
17	CLUTCH PRESSURE RING (DIN7993Ø14X1) ME23150GG-CAB-1 (u. 1)
18	PRESSURE PLATE BEARING ME23000GG-CLJ-1 (u. 1)
19	CASQ.MUELLE EMBR. EC-2018 ME22020GG-CLJ-1 (u. 6)
20	SRPING CLUTCH EC 2018 ME22025GG-CLJ-1 (u. 6)
21	Allen Bolt 6x25 (clutch cover) T0306025 (u. 6)
22	WASHER D20 EC ME25632019 (u. 1) - 250cc / 300cc
23	CRANK SHAFT PINION LOCKING NUT EC ME250032018 (u. 1) - 250cc / 300cc
24	PRIMARY CLUTCH GEAR ORING (Ø23*5 NBR) ME21180GG-CAB-1 (u. 1)
	OÆRING DAMPER ST950207 (u. 1) - 200cc
25	CRANK SHAFT BUSHING EC200 ME200512014 (u. 1) - 200cc
26	SPECIAL SCREW 12X25X125 T02012025 (u. 1) - 200cc
27	SET BASKET CLUTCHENDURO 2018 ME22005CT-CLJ-1 (u. 1)



**Cylinder**


**1** HEAD SCREW  
T0208035 (u. 6)

HEAD CIL. ENDURO 200 2018  
ME75000GG-CLP-2 (u. 1) - 200cc

**2** CYLINDER HEAD EC 250 2018  
ME75000GG-CLK-1 (u. 1) - 250cc

CYLINDER HEAD EC/XC 300  
ME75000GG-CSK-1 (u. 1) - 300cc

**3** PISTON RINGS SET EC250  
ME25616040 (u. 1) - 250cc

PISTON RINGS SET EC200  
ME20916040 (u. 1) - 200cc

PISTON RINGS SET EC300  
ME30916040 (u. 1) - 300cc

**4** PISTON PIN CLIPS  
ME25616126 (u. 2)

**5C** PISTON 300CC C  
ME30916122R (u. 1) - 300cc

C TYPE PISTON EC250  
ME25616122R (u. 1) - 250cc

**5B** B TYPE PISTON EC200  
ME20816121 (u. 1) - 200cc

B TYPE PISTON EC300  
ME300416121 (u. 1) - 300cc

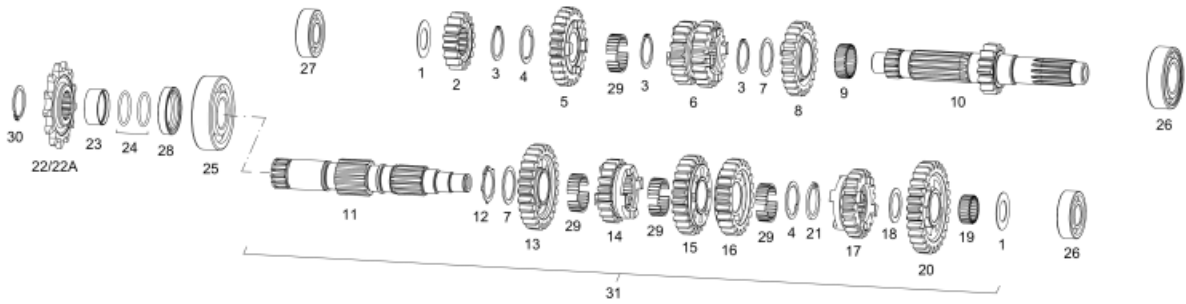
B TYPE PISTON EC250  
ME25616121R (u. 1) - 250cc

	PISTON (A) EC200 ME20816020 (u. 1) - 200cc
5A	PISTON (A) EC250 ME25616020R (u. 1) - 250cc
	PISTON (A) EC300 ME300416020 (u. 1) - 300cc
6	PISTON PIN EC250 ME25616125 (u. 1)
7	OUTER CYLINDER HEAD O/RING ME25916060 (u. 1) - 250cc / 300cc
	OUTER CYLINDER HEAD O/RING ME25916060 (u. 1) - 200cc
8	INNER CYLINDER HEAD O/RING 75.92X1 ME30916065 (u. 1) - 300cc
	INNER CYLINDER HEAD O/RING EC200 ME25916065 (u. 1) - 200cc / 250cc
9	CARTER BREATH TUBE (55cm) ME25610022 (u. 1)
10	HEAD CIL. ENDURO 250 2018 ME70000GG-CLK-1 (u. 1) - 250cc
	CYLINDER EC 300 2018 ME70000GG-CLJ-1 (u. 1) - 300cc
	CYLINDER EC 200 2018 ME70000GG-CLP-1 (u. 1) - 200cc
11	Cylinder Base Nuts 10X1.5 M01613001 (u. 4)
12	HEAD SCREW 5x15 T0205015 (u. 7)
13	LEFT VALVE COVER ME100033013 (u. 1)
14	GASKET LT. VALVE COVER EC 2013 ME440063013 (u. 1)
15	CYLINDER GASKET 015 ME25644010 (u. 1)
16	CYLINDER GASKET EC ME44000GG-CLJ-1 (u. 1)
16A	CYLINDER GASKET 03 ME25644009 (u. 1)
17	EXHAUST GASKET ME25644012 (u. 1)
18A	CRANKCASE VENT NIPPLE D.3 M01032001 (u. 2)
19	Fiber Washer, 6X10X1.5 T4006010 (u. 2)
20	ALUMINIUM EXHAUST PIPE ME250516019 (u. 1)
24	RIGHT VALVE COVER EC ME72020GG-CAB-1 (u. 1)
25	SEAL COVER VALV.RIGHT 4mm ME70055GG-CEQ-1 (u. 1)
26	TORX ULS SCREW 6X14 T0566014 (u. 3)
27	Exhaust Oring Pampera BE250526006 (u. 2)
28	LONG EXHAUST VALVE AXIS 93MM ME25616027 (u. 1)

29	HORT EXHAUST VALVE AXIS 83MM ME25616017 (u. 1)	
30	CENTRAL EXHAUST VALVE EC 200 2019 ME72005GG-CSM-1 (u. 1) - 250cc / 300cc	
	CENTRAL EXHAUST VALVE ENDURO 250 2018 ME72005GG-CLK-1 (u. 1)	
31	RIGHT EXHAUST VALVE ENDURO 250 2018 ME72000GG-CLK-1 (u. 1)	
32	LEFT EXHAUST VALVE ENDURO 250 2018 ME72010GG-CLK-1 (u. 1)	
33	ALLEN BOLT 5x10 T0505010 (u. 1)	
34	WASHER 5x12x1.5 T4005012 (u. 1)	
35	SET LEVER VALV.EXHAUST EC 2015 ME72320CT-CEQ-1 (u. 1)	
36	EXHAUST VALVE BEARING SPACER ME25616036 (u. 1)	
37	BEARING 6000 C3Z=M03313001 ME25610010 (u. 1)	
39	Washer, 8x16 T4008016 (u. 1)	
40	508Z BEARING ME25616032 (u. 2)	
41	JOINT CYLINDER CYLINDER HEAD MEETINGS ME94620CT-CAB-1 (u. 1) - 300cc	
42	Allen Bolt 6x10 T0306010 (u. 2)	
43	WASHER 6x18x1.5 T4006018 (u. 1)	
44	WASHER 6x12x1.5 T4006012 (u. 1)	
45	Washer, 8x16 T4008016 (u. 6)	
50	CYLINDER SET ENDURO 250 2018 ME70000CT-CLK-1 (u. 1) - 250cc	
	SET CILINDER EC 200 2019 ME70000CT-CSM-1 (u. 1) - 200cc	
	SET CILINDER ENDURO 300 2018 ME70000CT-CLJ-1 (u. 1) - 300cc	
51	HEAD BOLT WASHE 6x10x1.5 T4006008 (u. 2)	
52	VALVE TUBE BE733001209 (u. 1)	
53	SET PUSHER VALV.EXHAUST COMPLETE EC 2015 ME72325CT-CEQ-1 (u. 1)	
	ROTULA DIN-71805 ME72324GG-CEQ-1 (u. 1)	OBSOLETE
54	TUERCA M 3.5X0.6 T2503006 (u. 1)	OBSOLETE
55	SET PUSHER VALV.EXHAUST COMPLETE EC 2015 ME72325CT-CEQ-1 (u. 1)	
56	CLIP SEGURIDAD BALL-JOINT ME72326GG-CEQ-1 (u. 1)	
58	BUSH SEPARADOR BRG. VALV.ESCAPE ME71100GG-CEQ-1 (u. 1)	

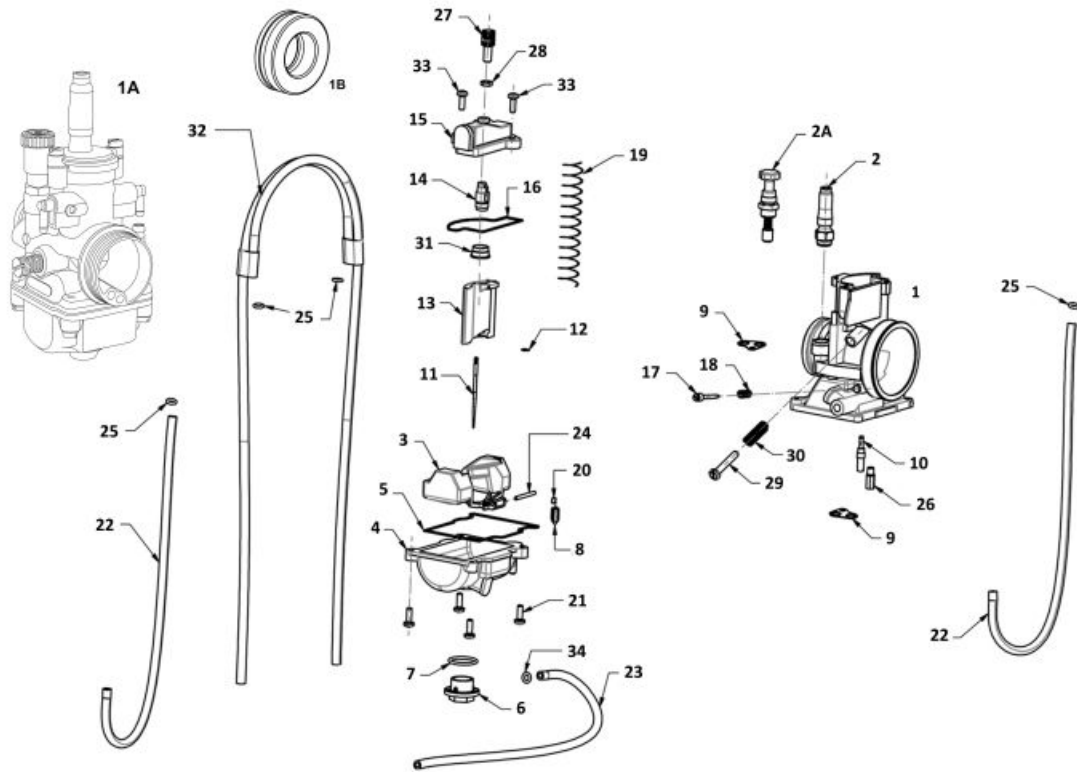
59

TORNILLO ESPECIAL CON ARANDELA 5x20  
T0205020 (u. 1)

**Gear change**


1	SHIFT WASHER 18X315X07 ME25636014 (u. 2)
2	PRIMARY II PINION ME25636071 (u. 1)
3	CIRCLIP D.25 DIN 471 ME25936084 (u. 3)
4	315X(25X22)X1 GROOVING WASHER ME25636091 (u. 2)
5	PRIMARY VI PINION ME25636074 (u. 1)
6	PRIMARY III AND IV PINION ME25636072 (u. 1)
7	252X315X1 GEAR WASHER ME25636017 (u. 2)
8	PRIMARY V PINION ME25636073 (u. 1)
9	Kickstart Gear Bearing 50cc M02616000 (u. 1)
10	AXLE PRIMARY EC 250-2002 ME250236070 (u. 1)
11	SECONDARY AXIS ME410002508 (u. 1)
12	DIN 983 CIRCLIP ME25636095 (u. 1)
13	PINION SECONDARY II 7-26 ME250136077 (u. 1)
14	SECONDARY VI PINION ME250136081 (u. 1)
15	SECONDARY III PINION ME25636078 (u. 1)
16	SECONDARY IV PINION ME25636079 (u. 1)
17	SECONDARY V PINION ME25636080 (u. 1)
18	208X29X1 GEAR WASHER ME25636016 (u. 1)
19	K20X24X10 NEEDLES BEARING ME25636059 (u. 1)
20	SECONDARY I PINION ME25636076 (u. 1)
21	CIRCLIP D.25 DIN 471 REBAIXAD D.2 SE03025200009 (u. 1)

<b>22</b>	Z13 EXIT PINION ME25636025 (u. 1)
<b>22A</b>	OUTER SPROCKET Z12 MF25836025 (u. 1)
<b>23</b>	SEAL BUSHING ME25636046 (u. 1)
<b>24</b>	SHAFT O'RING 25x2 ME25632025 (u. 2)
<b>25</b>	SHIFT BEARING 6305 C3 ME25636058 (u. 1)
<b>26</b>	SHIFT BEARING 6203C3 ME25636057 (u. 2)
<b>27</b>	SHIFT BEARING 6205ZC3E ME250136056 (u. 1)
<b>28</b>	Countershaft Seal Pro 30x40x7 ME25636024 (u. 1)
<b>29</b>	KD22X25X98 NEEDLES BEARING ME250236102 (u. 4)
<b>30</b>	CIRCLIP D.25 DIN 471 ME25936084 (u. 1)
<b>31</b>	SHIFT GEAR SET ME40000CT-CSK-1 (u. 1)

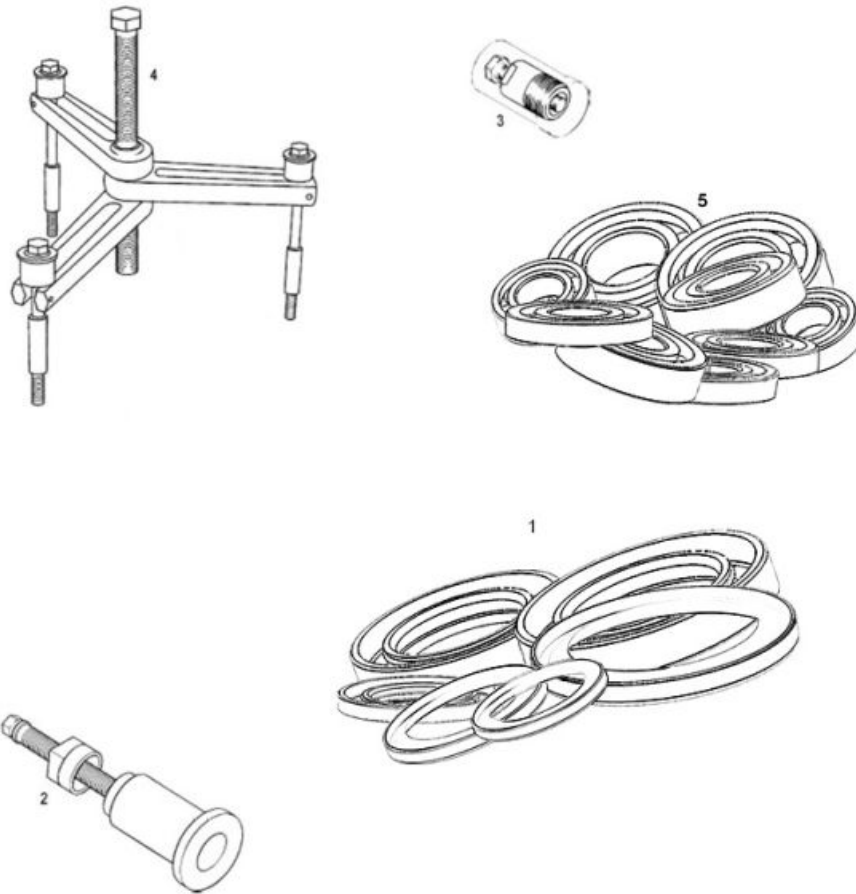
**Carburetor**


<b>1</b>	KEIHIN PWKS DIAM.38 CARBURETTOR BE78000GG-CSK-1 (u. 1)
<b>1A</b>	CARBURATOR PHBG 21 DS ENDURO 73/33 CLUTH OUTER 40 BE78000GG-EKF-1 (u. 1) - EC / EnduroGP
<b>1B</b>	ADAPTOR CARBURATORLL ORTO ENDURO 2018 BE78100GG-CLJ-1 (u. 1)
<b>2A</b>	COLD STARTER KNOB SET ME25690011 (u. 1)
<b>2</b>	CHOKE KNOB ME25000173012 (u. 1)
<b>3</b>	BOYA FLOATER 1052-856-2101 ME25000183012 (u. 1)
<b>4</b>	CUBETA FLOATER 1050-898-2102 ME25000193012 (u. 1)
<b>5</b>	SEAL CUBETA FLOATER 1051-KZ40-0001 ME25000203012 (u. 1)
<b>6</b>	FLOAT BODY DRAIN CAP ME25690015 (u. 1)
<b>7</b>	DRAIN CAP OÆRING ME25690016 (u. 1)
<b>8</b>	AGUJA FLOTADOR 1062-814-2103 ME25000213012 (u. 1)
<b>9</b>	SUJECCIÒN TUBO RESPIRADERO 1531-KZ4H-690 ME25000223012 (u. 1)
<b>10B</b>	SLOW JET 42 ME25690042 (u. 1)
<b>10A</b>	SLOW JET 45 ME25690045 (u. 1)
<b>11</b>	KEIHIN N1EF NEEDLE ME250190429 (u. 1)

11C	NOZZLE NOZH N427-OZH00 ME120690435 (u. 1)
11B	NEEDLE N1EG ME250290428 (u. 1)
11A	NEEDLE N1EE ME250290427 (u. 1)
12	NEEDLE CLIP ME25690021 (u. 1)
13	VALVE N\$7 N502-66F00 ME25000233012 (u. 1)
14	NEEDLE HOLDER ME25690023 (u. 1)
15	TAP COMP. 1030-A92A-0000 ME25000243012 (u. 1)
16	GASKET O'RING TAP. COMPU. 1202-882-6000 ME25000253012 (u. 1)
17	VISS. REGULATION ME25000263012 (u. 1)
18	MUELLE TORN.REGUL.AIRE 1300-416H-9900 ME25000273012 (u. 1)
19	SPRING VALVE 1290-A53-2000 ME25000283012 (u. 1)
20	FLOAT CLIP ME25690027 (u. 1)
21	TORN.CUBETA 93500-04014-1H ME25000293012 (u. 4)
22	TUBO RESPIRADERO 0803-868-0000 ME25000303012 (u. 2)
23	TUBO RESPIRADERO-2 0803-869-0000 ME25000313012 (u. 1)
24	FLOAT AXLE ME25690033 (u. 1)
25	CLIP ME25690034 (u. 4)
26	HIGH JET 175 ME25690175 (u. 1)
27	SENSOR CABLE W9581-59250 ME25000323012 (u. 1)
28	NUT TENSOR CABLE 1793-130H-9900 ME25000333012 (u. 1)
29	SLOW JET ADJUSTING BOLT ME25690038 (u. 1)
30	ADJUSTING BOLT SPRING ME25690039 (u. 1)
31	CARBURETOR COVER SPRING BUSHING ME25690040 (u. 1)
32	TUBE VENTILACIÒN 0803-862-0100 ME25000343012 (u. 1)
33	VISS. TAP COMP. ME25000353012 (u. 2)
34	CLIP TUBO RESPIRADERO-2 W9535-25000 ME25000363012 (u. 1)
35	STOP THROTTLE CABLE ME250690010 (u. 1)



**Engine assistance tools**



1	SET SEAL EC 250-300 ME906002510 (u. 1)	OBSOLETE
2	SEMI CRANK SHAFT EXTRACTOR ME25950000 (u. 1)	OBSOLETE
3	Flywheel Puller Pro MT280234045 (u. 1)	OBSOLETE
4	CRANKCASE EXTRACTOR ME25950005 (u. 1)	OBSOLETE