

TXT PRO 2013

DESPIECE / PART LIST

125-250-280-300

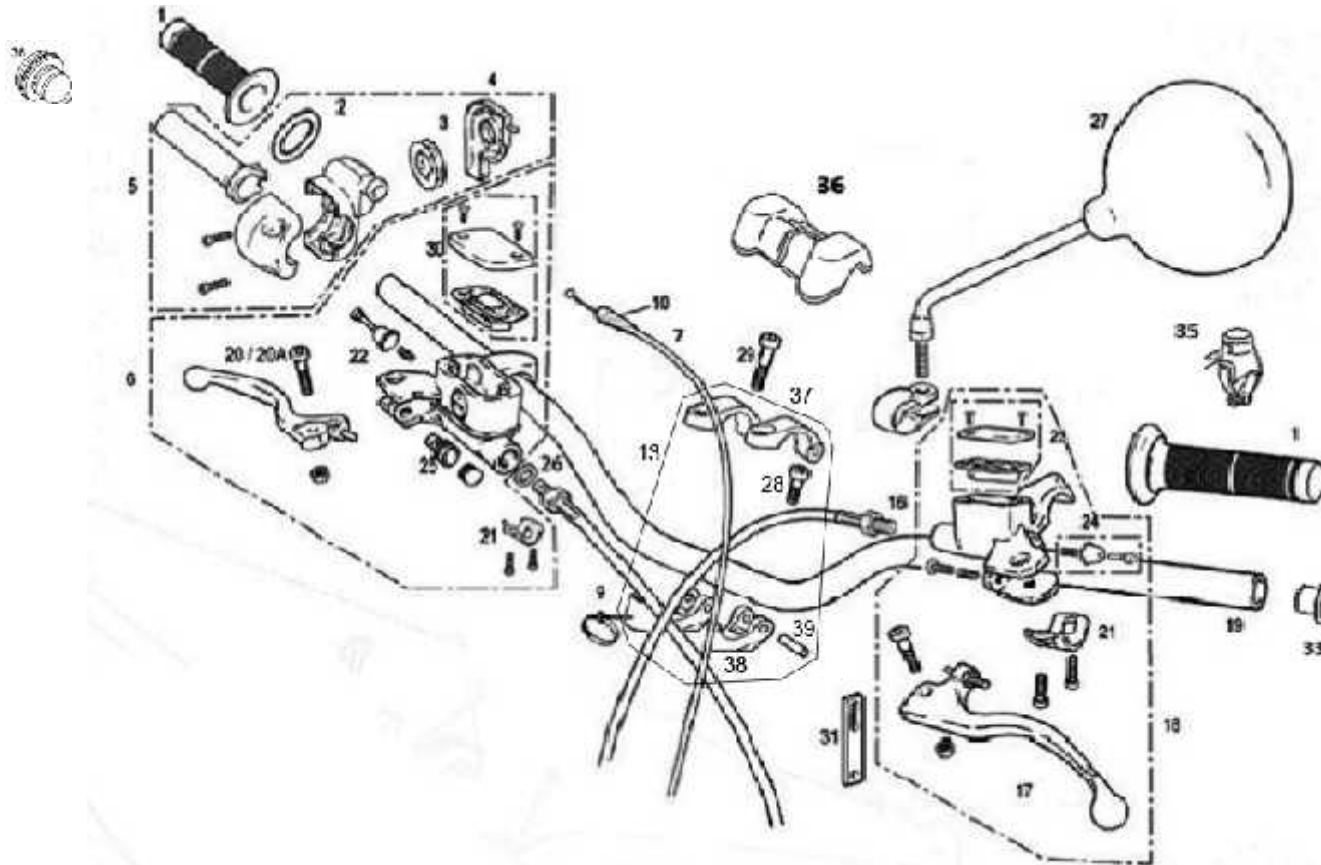




G
GASGAS

**SCHOOL OF
CHAMPIONS**

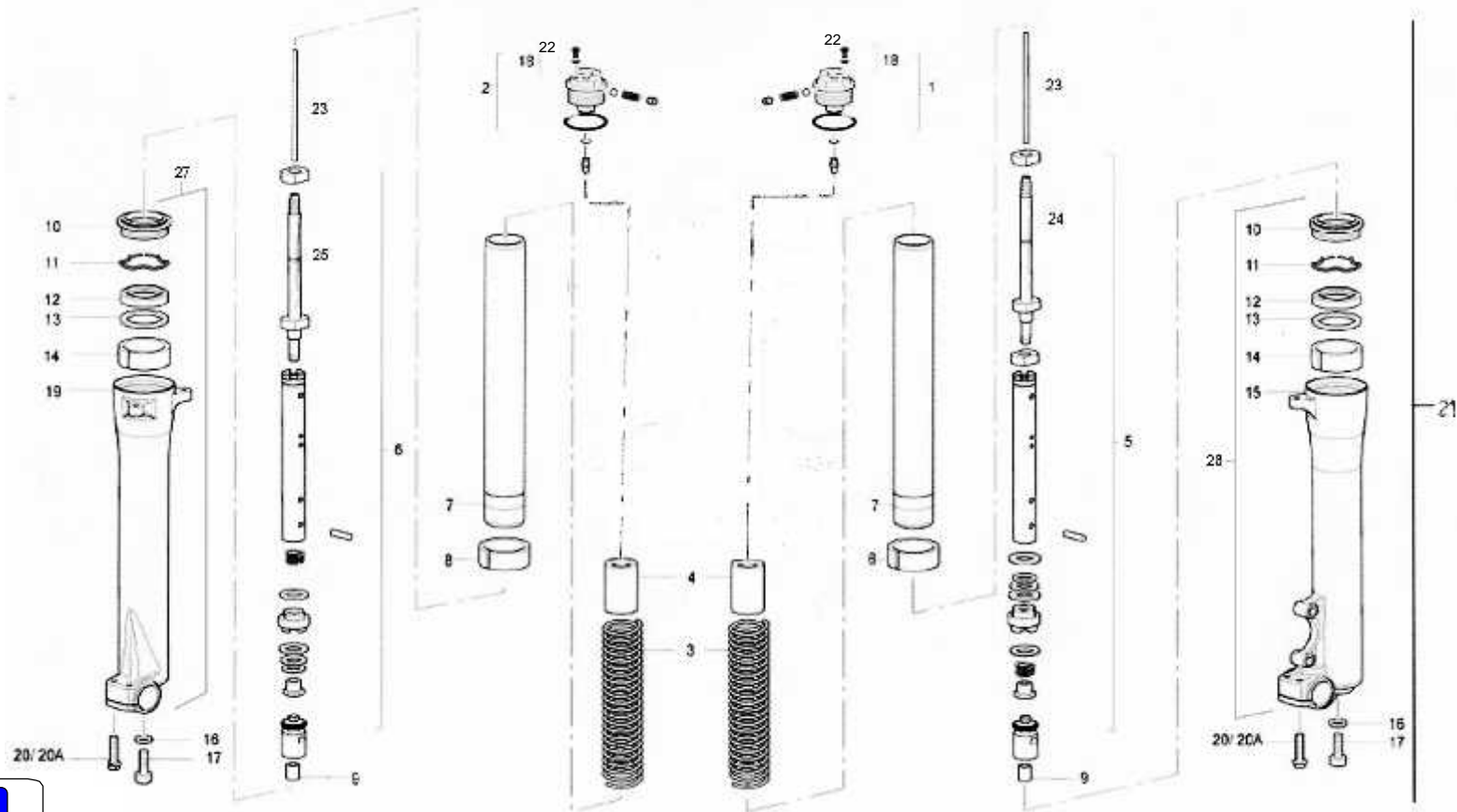
JULIO / JULY / JUILLET / LUGLIO / JULI 2012



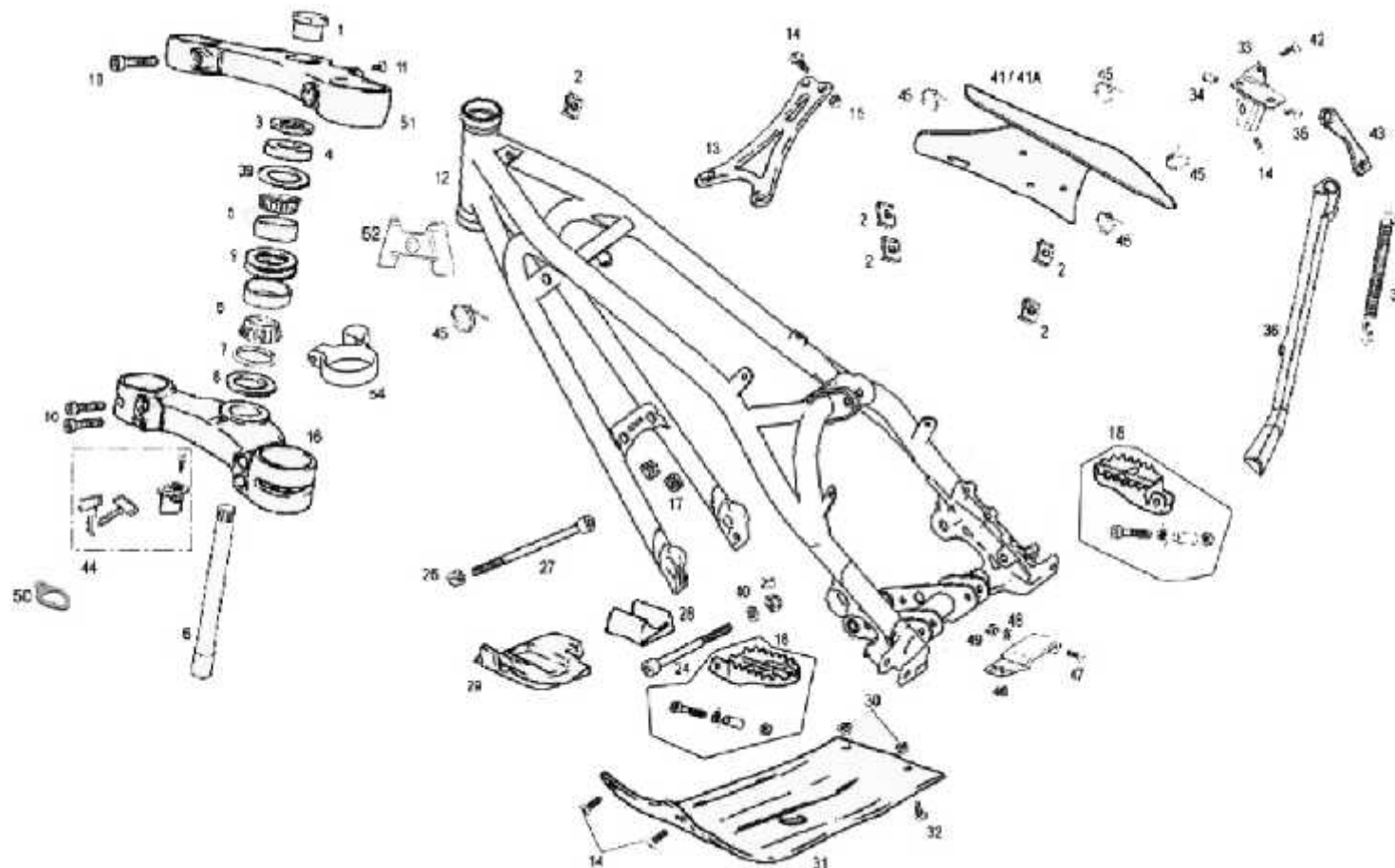
Nº	DESCRIPCION / DESCRIPTION	125 / 250 / 280 / 300	Cant.
1	JUEGO EMPUÑADURAS TRIAL / HANDLEBAR GRIP (PAIR)	BT26100RA3010	1
2	ARANDELA MANDO GAS / TWIST GRIP WASHER	BT27922078	1
3	RODILLO MANDO GAS / TWIST GRIP ROLLER	E119000	1
4	TAPA MANDO GAS / TWIST GRIP COVER	E140000	1
5	PUÑO MANDO GAS / CPT. TWIST GRIP	E100001	1
6	BOMBA FRENO DELANTERO / FRONT BRAKE PUMP	BT61000R3009	1
7	CABLE DE GAS HOMOLOGADO / THROTTLE CABLE	E160003	1
9	BRIDA UNEX 4.8X20 / UNEX 4.8X20 CLAMP	BE25634009	1
10	GUARDAPOLVO PUÑO GAS / THROTTLE CABLE DUST COVER	G600000	1
13	CTO. BRIDA MANILLAR RAGA 2012/ HANDLEBAR CLAMP ASSY	BT280414012C	1
16	LATIGUILLO EMBRAGUE TRIAL / CLUTCH TUBE	BT280522003	1
17	MANETA EMBRAGUE RACING / CLUTCH LEVER R	BT46300R3009	1
18	BOMBA EMBRAGUE ACEITE / CLUTCH PUMP	BT46000R3009	1
19	MANILLAR + PROTECTOR / HANDLEBAR ASSY. + PROTEC	BT25000RA3010	1
20	MANETA FRENO AJP 93 PLATA LARGA / BRAKE LEVER TRIAL	BT61300R3009	1
21	SOPORTE BOMBA EMBRAGUE / CLUTCH PUMP SUPPORT	BE250022211	2
22	KIT BOMBA FRENO / BRAKE PUMP SET	BT27722208	1
23	KIT TAPA BOMBA / COVER PUMP SET	BT280422210	1
24	KIT BOMBA EMBRAGUE / CLUTCH PUMP SET	BT460102811	1
25	CASQUILLO PULSADOR FRENO DELANTERO / PUSH BUTTON BUSHING	BT27922079	1
26	ARANDELA COBRE 10X14X1 / 10X14X1 WASHER	BT280522007	1
27	ESPEJO RETROVISOR / REAR VIEW MIRROR	L300760	2
28	TORNILLO UFK 8X20 / 8X20 UFK SCREW	T0318020	2
29	TORNILLO UFK 8X50 / 8X50 UFK SCREW	T0318050	2
30	TAPA BOMBA FRENO / KIT COVER PUMP	BT27722210	1
31	GOMA SUJECIÓN CABLEADOS / WIRE SUBJET RUBBER	BFS450320067	1
33	TAPON MANILLAR MOSS (12089)	BT255953012	1
35	PULSADOR PARO TRIAL PRO RACING 08 / TRIAL PRO RACING 08 STOP SWITCH	BC250334055	1
36	RODAMIENTO + CASQUILLO MANDO DE GAS TXT RACING 2010	BT26010R3010	1
37	BRIDA SUPERIOR MANILLAR	BT25000073012	2
38	BRIDA INFERIOR MANILLAR	BT25000083012	2
39	PASADOR CILÍNDRICO	BT280414010	2

GASGAS

Chasis 1



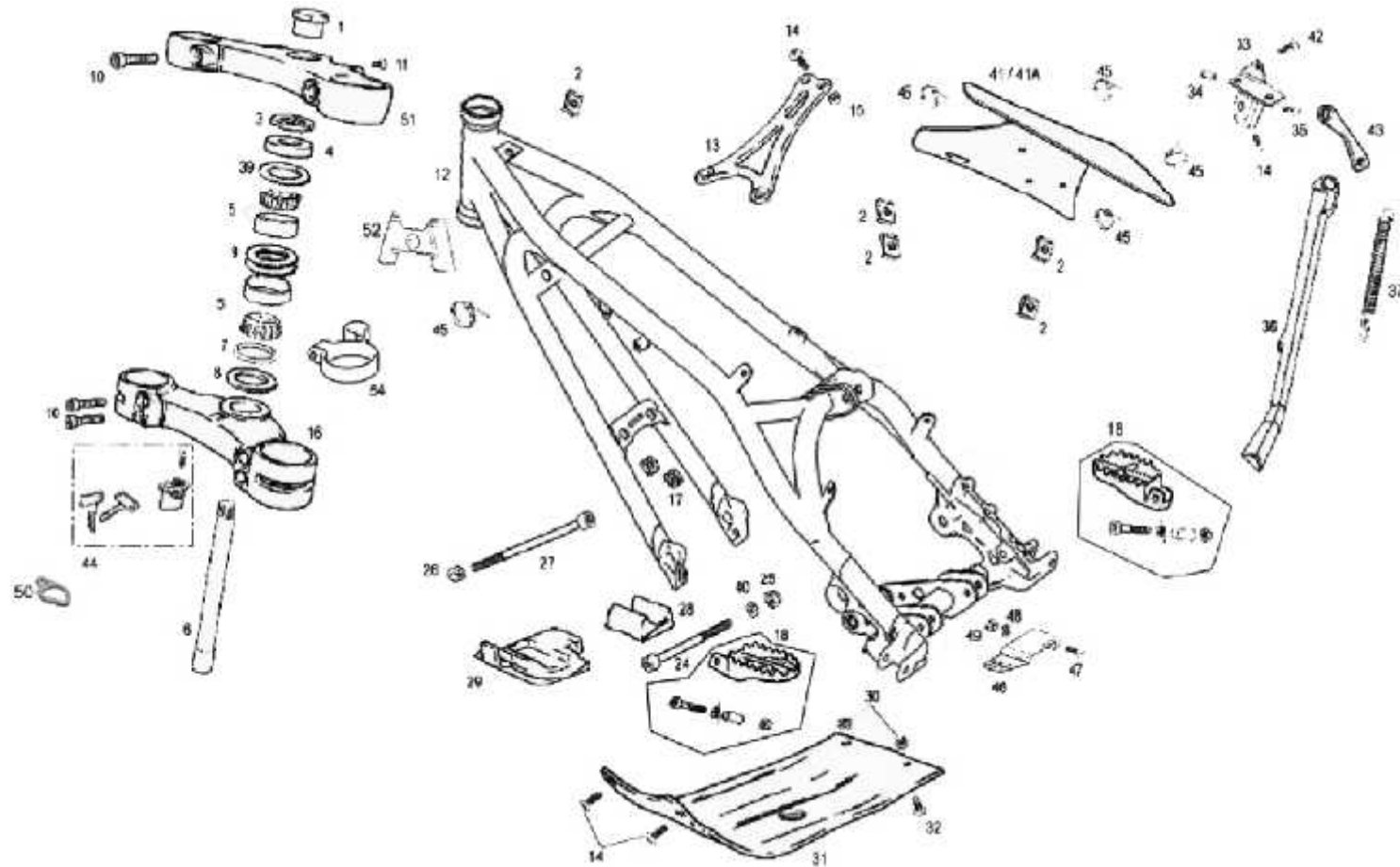
Nº	DESCRIPCION / DESCRIPTION	125 / 250 / 280 / 300	Cant.
1	CTO. TAPÓN REGULACIÓN COMPRESIÓN / ADJUSTING COMPRESSION CAP	BT280714105	1
2	CTO. TAPÓN REGULACIÓN EXTENSIÓN / ADJUSTING RETURN CAP	BT280714106	1
3	MUELLE SUSPENSIÓN / FRONT FORK SPRING	5141418/P	2
4	TOPE PRECARGA AMORTIGUADOR / PRE-LOAD WASHER	5182328/P	2
5	REGULADOR HIDRÁULICO COMPR. / ADJUSTER TOP COMPRESSION	8032145/R	1
6	CONJUNTO HIDRÁULICO EXTENSIÓN / HYDRAULIC EXTENSION ASSEMBLY	8032144/R	
7	BARRA SUSPENSIÓN / FRONT FORK INNER TUBE	BT280614110	2
8	GLACIER SUSPENSIÓN / GLACIER BUSHING	BT280414111	2
9	CENTRAJE TUBO HIDRÁULICO / SPACER BUSH	BT280414219	2
10	GUARDAPOLVO / DUST SEAL	BT20000143011	2
11	SEEGER SUSPENSIÓN TRIAL / TRIAL FRONT FORK SEEGER	BT200252809	2
12	RETÉN / SEAL	BT20000153011	2
13	ARANDELA SUPERIOR TRIAL / TRIAL UPPER WASHER	BT280414133	2
14	GLACIER BOTELLA SUSPENSIÓN / TUBE GLACIER BUSH	BT280414134	2
15	BOTELLA IZQUIERDA SUSPENSIÓN TRIAL / LEFT OUTER TUBE	BT20000083011	1
16	ARANDELA GOMA INTERIOR / FRONT FORK WASHER SEAL	BT280414145	2
17	ALLEN / ALLEN SCREW	BT280414249	2
19	BOTELLA DERECHA SUSPENSIÓN TRIAL / RIGHT OUTER TUBE	BT20000073011	1
20	TORNILLO EXAGONAL CON BALONA M6X25 / EXAGONAL SCREW M6X25	T0206025	4
21	SUSPENSIÓN TRIAL MARZOCCHI / TRIAL SUSPENSION SET MARZOCCHI	BT20000063012	1
22	CTO. SANGRADOR AIRE	BT280714103	1
23	VARILLA REGULACIÓN	556627/R	1
24	ASTA	309787DU/R	
25	ASTA	309759DU/R	
26	GR. GAMBA SX D.40 CON RETENES	5031678	1
27	GR. GAMBA DX. D.40 CON RETENES	5031677	1

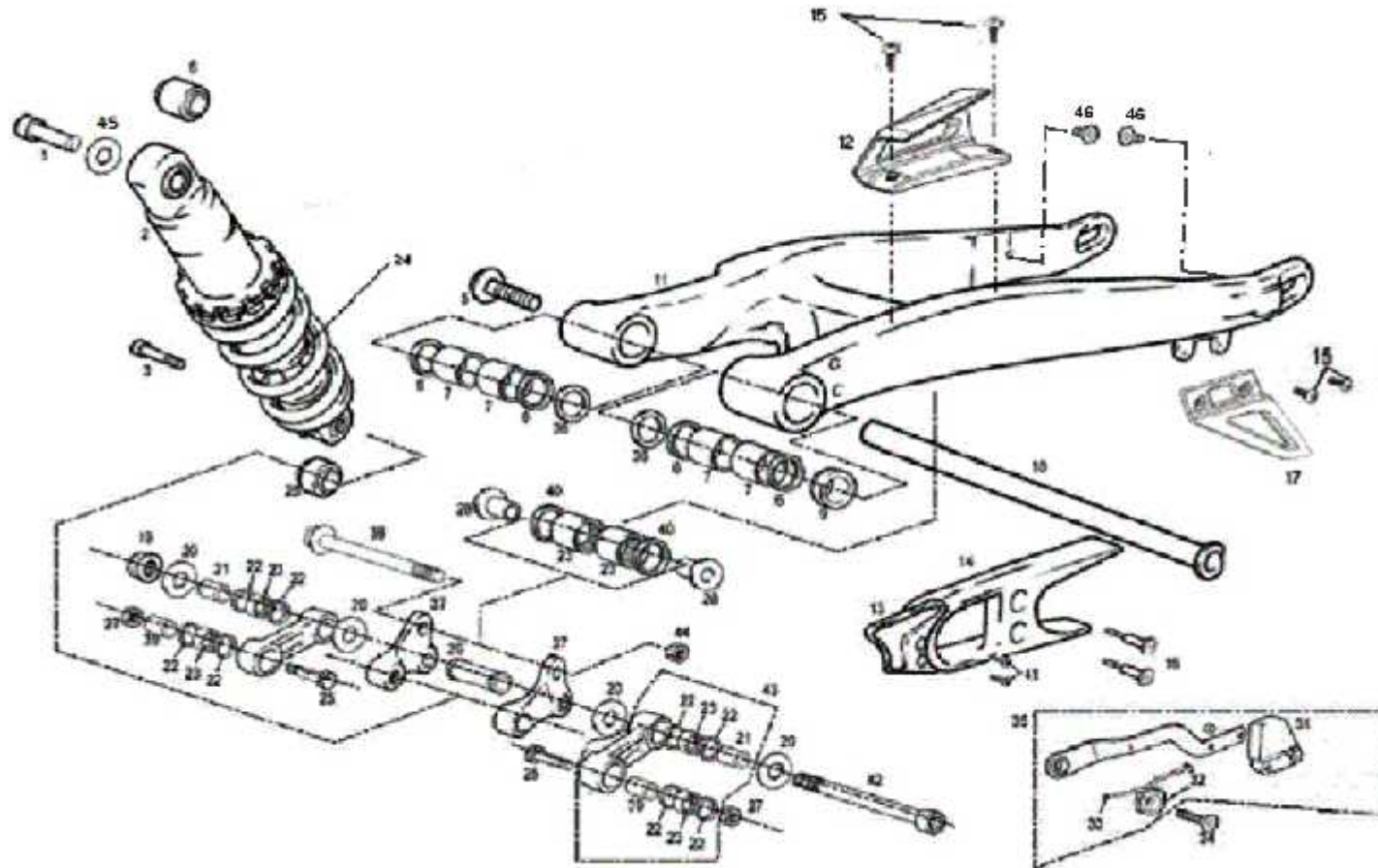


Nº	DESCRIPCION / DESCRIPTION	125 / 250 / 280 / 300	Cant.
1	TUERCA SUPERIOR DIRECCIÓN TRIAL / NUT TOP STEERING AXLE	BT280210030	1
2	TUERCA NUT 956 RAPIDA M6 / M6 FAST NUT	T2606000	5
3	TUERCA INFERIOR DIRECCIÓN TRIAL / NUT UNDER TOP CLAMP	BT280410029	1
4	GUARDAPOLVO COJINETES DIRECCIÓN / BEARING STEERING, DUST COVER	BEP250210026	1
5	COJINETE DIRECCIÓN URBXA 32004 / BEARING STEERING	BT280210008	2
6	EJE DIRECCIÓN TRIAL 2002 / AXLE STEERING	BT280214003	1
7	TÓRICA DIRECCIÓN 37X2,5 ENDUPAMP 250 / O'RING STEERING	BEP250210012	1
8	ARANDELA REGLAJE BLANCA / WHITE WASHER	BT280210026	1
9	ARANDELA 36X42X0.5 / 36X42X0.5 WASHER	T4003642	2
10	ALLEN M6x25 / ALLEN SCREW M6x25	T0306025	7
12	CHASIS TRIAL / TRIAL FRAME	BT100003013	1
13	TIRANTE CILINDRO / BRACE CYLINDER	BT280110050	1
14	ULS 8X20 / 8X20 ULS	T0508020	7
15	TUERCA AUTOBLOCANTE M-8 ALTA / SELF-LOCKING NUT M8 HIGH	T2108002	4
16	PLATINA INFERIOR TRIAL / FORK CLAMP (LOWER)	BT20000013012	1
17	GOMAS RADIADOR A CHASIS / RADIATOR PROTECTOR RUBBER	G220000	3
18	CTO. ESTRIBOS TXT RACING / JOINT STIRRUPS	BT140003013CT	1
24	ALLEN 10x85 / 10X85 ALLEN BOLT	T0301085	1
25	TUERCA AUTOBLOCANTE M10 BAJA / SPECIAL M10 NUT	T2110001	1
26	TUERCA ESPECIAL M10 / SPECIAL M10 NUT	BT280210069	1
27	ALLEN M10X140 ZINCADO 12.9 / SCREW, BOLT ALLEN M10X140	T0310140	1
28	GOMA PROTECTOR TRASERO MOTOR / REAR ENGINE PROT. RUBBER	BT280336029	1
29	GOMA PROTECTOR DELANTERO MOTOR / FRONT ENGINE PROT. RUBBER	BT280236030	1
30	CASQUILLO PROTECTOR CÁRTER / CHASIS TRIAL / BUSHING	BT280310883	2
31	PLACA PROTECCIÓN MOTOR / TRIAL ENGINE PROTECTOR PLATE	BT10000013012	1
32	ULS 8X16 / ULS 8X16	T0508016	2
33	SOPORTE CABALLETE TRIAL 2000 / SIDE STAND BRACKET SUPPORT	BT280712023	1

GASGAS

Chasis 3

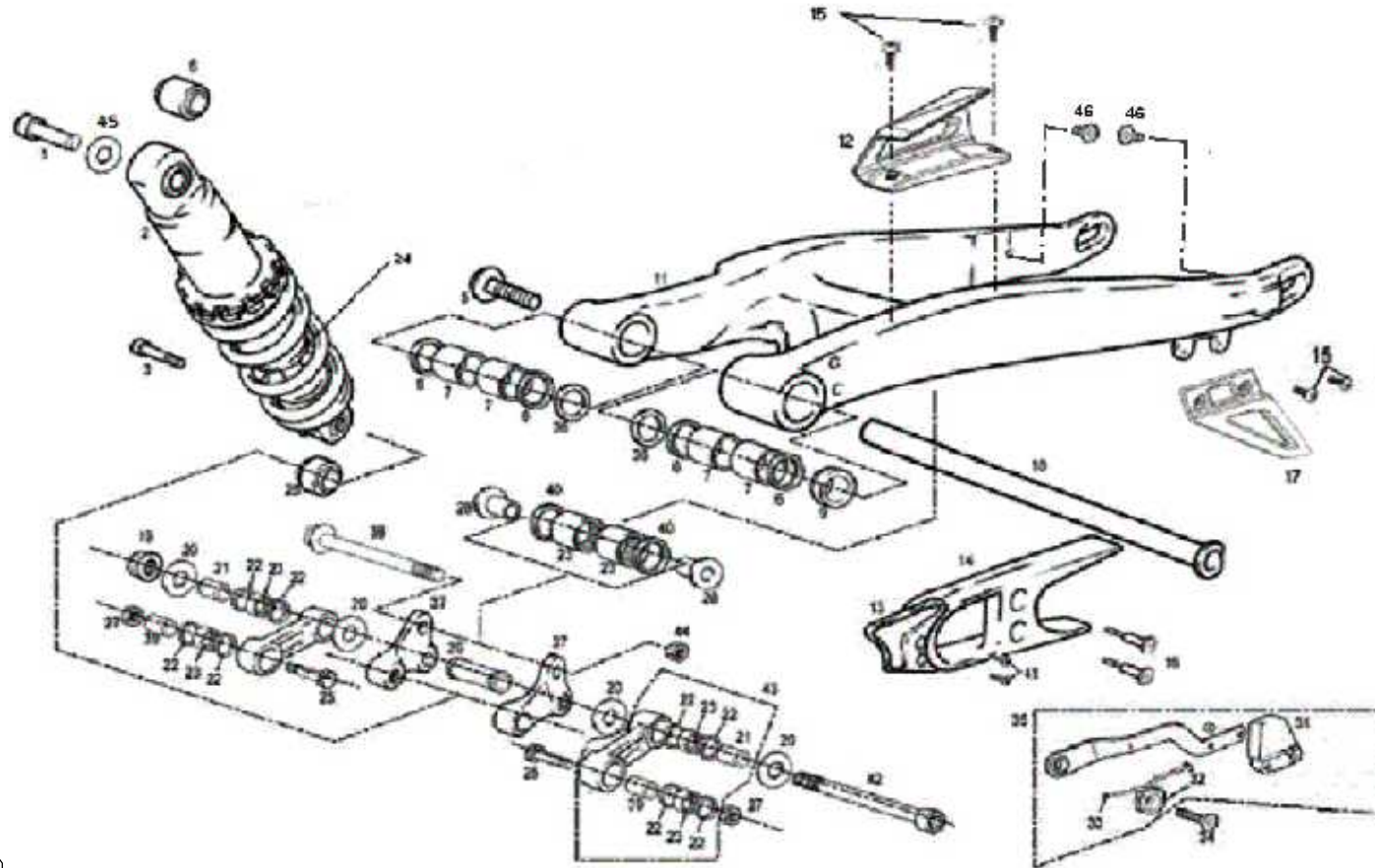


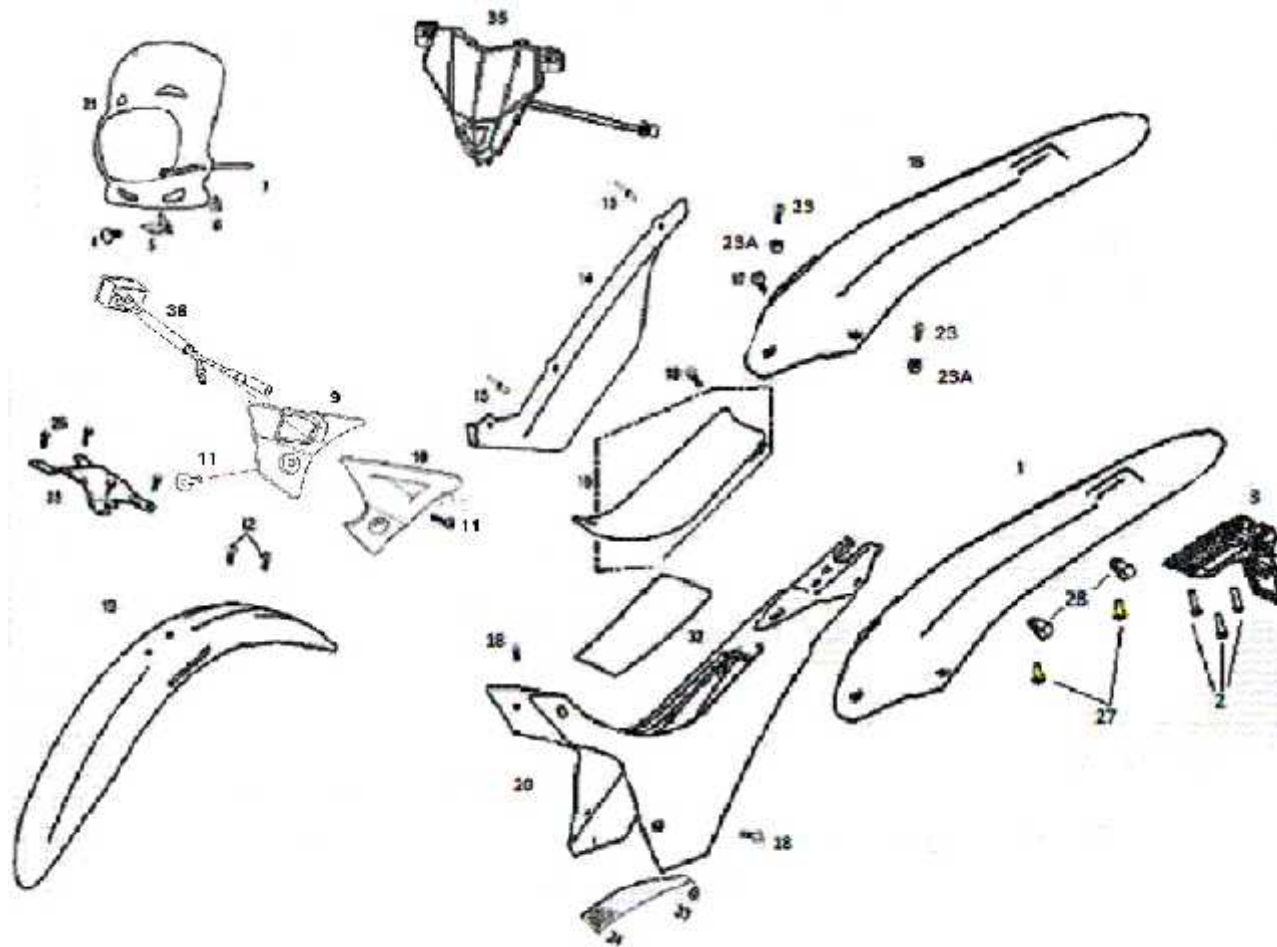


Nº	DESCRIPCION / DESCRIPTION	125 / 250 / 280 / 300	Cant.
1	ALLEN 10X63 / 10X63 ALLEN SCREW	BT35000013011	1
2	AMORTIGUADOR TRIAL / SHOCK ABSORBER	BT300013013	1
3	TORNILLO ESPECIAL / SPECIAL SCREW	T0310046	1
4	GOMA PROTECCIÓN AMORTIGUADOR TRASERO / REAR SHOCK PROTECTOR	BT280236041	1
5	TORNILLO EJE BASCULANTE TRIAL / SWING-ARM AXLE SCREW	BT280212009	1
6	RETÉN 20-26-4 870 N BASCULANTE / 20-26-4 OIL SEAL	C220001	4
7	COJINETE / BEARING	BT280212032	4
8	SILENTBLOCK AMORTIGUADOR / REAR SHOCK ABSORBER SILENTBLOCK	BT280414305	1
9	CASQUILLO GUÍA EJE BASCULANTE / SWING-ARM AXLE BUSHING	BT280212108	1
10	EJE BASCULANTE TRIAL / SWING-ARM AXLE	BT44500R3009	1
11	BASCULANTE TRIAL / TRIAL SWING-ARM	BT400003013	1
12	CUBRECADENAS / CHAIN COVER	BT42040RA3011	1
13	PROTECTOR PIÑÓN TRIAL 2002 / PINION PROTECTOR	BT280236021	1
14	PATÍN CADENA / CHAIN GUIDE	BT280412015	1
15	ULS 5X12 / 5X12 ULS	T0505012	4
16	REMACHE CABOTA GRANDE 14X4 8X21 PATÍN / RIVET	T4505016	2
17	PROTECTOR CORONA TRIAL 2003 / SPROCKET PROTECTOR	BT57350RA3011	1
18	TORNILLO ROSCA CHAPA PHILIPS 4X38 / 4X38 PHILIPS SCREW	T0614838	2
19	TUERCA AUTOBLOCANTE / SELF-LOCKING NUT	T2110001	1
20	ARANDELA REGLAJE 10.5X26X0.5 / 10.5X26X0.5 WASHER	T4001026	4
21	CASQUILLO SUSPENSIÓN DIAM. 10 / SUSPENSION BUSHING	BT27712005	2
22	RETÉN 15X21X2 / 15X21X2 OIL SEAL	C230001	8
23	COJINETE AGUJAS 15BM2116 / NEEDLE BEARING	BT27714009	6
24	TOPE AMORTIGUADOR / SHOCK ABSORBER END OF TRAVEL	BT311002809	1
25	TORNILLO ESPECIAL BIELETA 8X38 / 8X38 SPECIAL SCREW	T0118038	2
26	RÓTULA AMORTIGUADOR / BALL AND SOCKET JOIN	BT280214300	1
27	TUERCA AUTOBLOCANTE M8 ALTA / SELF-LOCKING NUT	T2108002	2
28	CASQUILLO BALANCÍN 99 / ARTICULATION BUSHING	BT27914014	2
29	CASQUILLO DISTANCIADOR BALANCÍN / ARTICULATION SPACER BUSHING	BT27914016	1
31	GOMA TENSOR CADENA / TENSIONER CHAIN RUBBER	BT42010RA3010	1
32	CASQUILLO TENSOR CADENA / CHAIN TENSIONER BUSHING	B560000	1
33	MUELLE TENSOR CADENA / CHAIN TENSIONER SPRING	M122000	1
34	ALLEN CONICO 8X30 TENSOR CADENA / 8X30 CONIC ALLEN	T0408030	1

GASGAS

Chasis 4

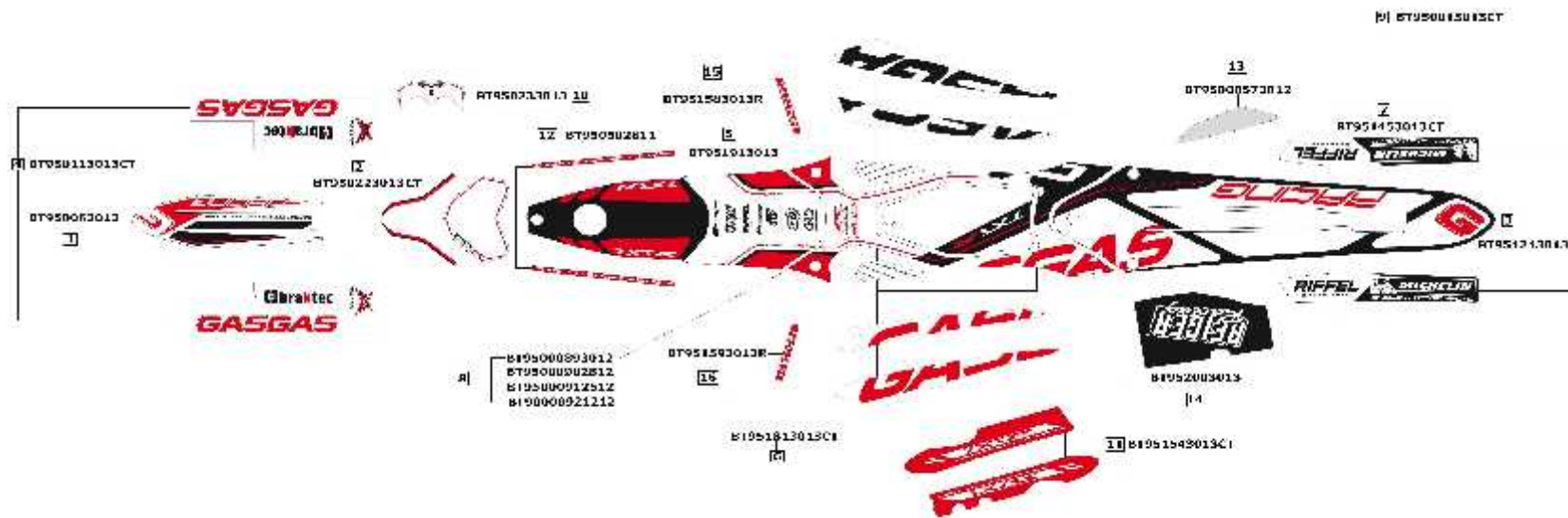


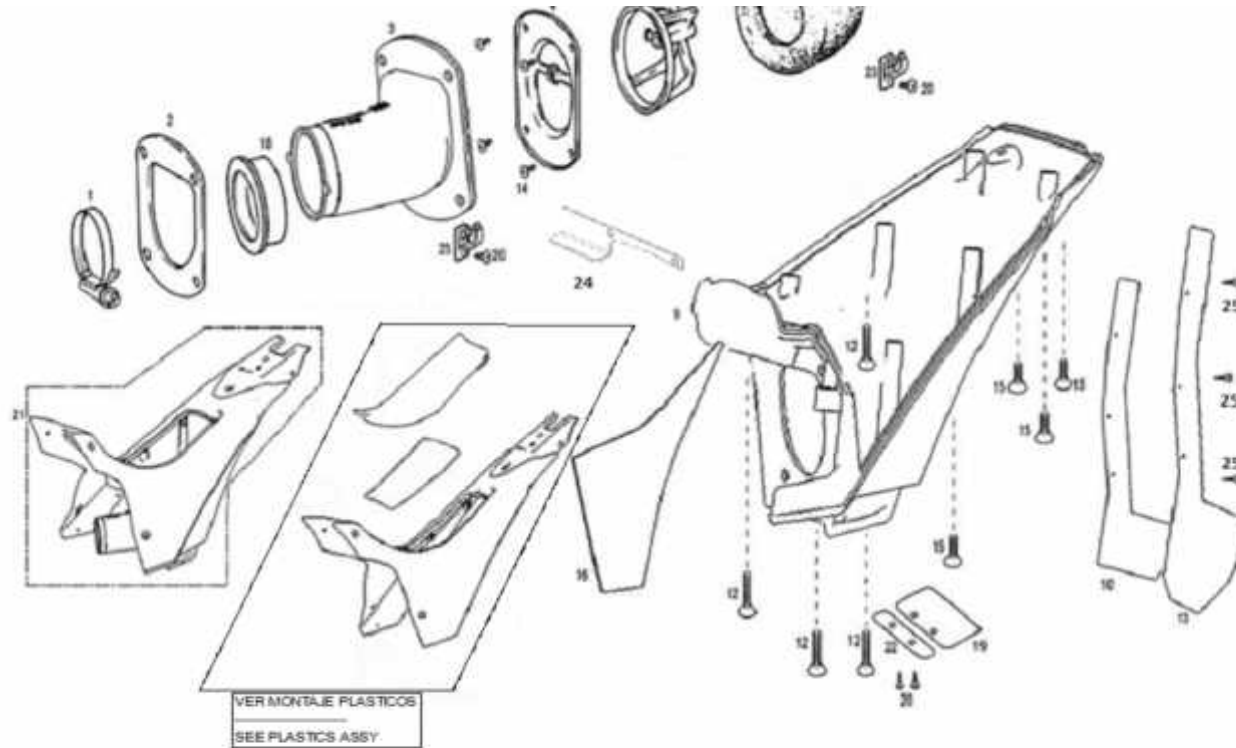


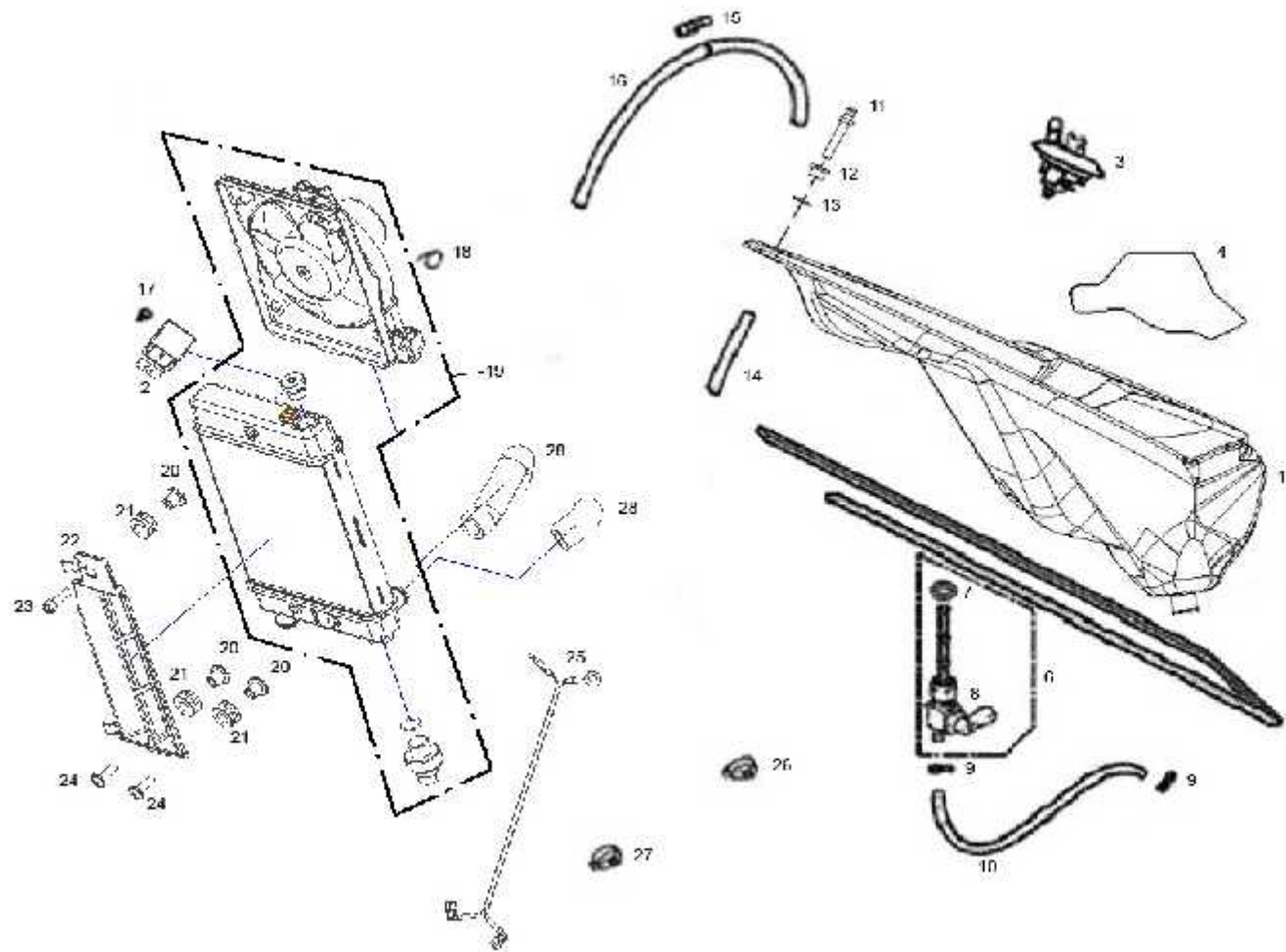
Nº	DESCRIPCION / DESCRIPTION	125 / 250 / 280 / 300	Cant.
1	GUARDABARROS TRAS. TRIAL HOMOLOGADO SIN ADHESIVO / TRIAL REAR FENDER NO STICKER	BT935013013H	1
2	TORNILLO ROSCA PLASTICO 3,6x20	T0803020	3
3	PORTAMATRICULAS TRIAL HOMOLOGADO / TRIAL PLATE SUPPORT	BT93900RA3011	1
4	TORNILLO ULS 6X14 CON ARANDELA PLATA / ULS SCREW 6X14	T0556014	1
5	GANCHO INOXIDABLE / RUSTLESS HOOK	M130000	1
6	TUERCA CON ARANDELA M6 / M6 NUT WITH WASHER	T2206000	2
7	BRIDA UNEX / UNEX CLAMP	BE25634007	2
8	TORNILLO ROSCA-CHAPA 3X9 / 3X9 SCREW	T1003009	4
9	TAPA LATERAL DERECHA 2013 CON INTERRUPTOR CDI / 2013 RIGHT SIDE COVER WITH CDI SWITCH	BT915003013	1
10	PROTECTOR RADIADOR IZQUIERDO / LEFT RADIATOR COVER	BT92000NR2809	1
11	TORNILLO CHAPA 4.2X13 / SCREW 4.2X13	T0804612	2
12	ULS 5X8 / 5X8 ULS SCREW	T0505008	2
13	GUARDABARROS DELANTERO / TRIAL FRONT FENDER	BT910003013CT	1
14	PROTECTOR ESCAPE TRIAL / EXHAUST PROTECTOR	BT947002811	1
15	REMACHE ALUMINIO 4X12 CABOTA NEGRA / ALUMINIUM RIVET	T4504012N	2
16	CTO. GUARDABARROS TRAS. TRIAL / TRIAL REAR FENDER ASSY	BT935013013CT	1
17	ULS 6X16 CON ARANDELA NEGRO / 6X16 BLACK ULS WITH WASHER	T0556016	1
18	TORNILLO CONICO 6X16 INOX / INOX 6X16 CONIC SCREW	T0406016I	5
19	CTO. TAPA CAJA FILTRO TRIAL / TRIAL FILTER BOX COVER ASSY	BT942013013CT	1
20	CTO. BASE ASIENTO TRIAL / TRIAL SEAT ASSY	BT940013013CT	1
21	FARO DELANTERO TRIAL 2009 SIN ADHESIVO / TRIAL 2009 FRONT HEADLIGHT NO STICKER	BT90500RH3009	1
22	SOPORTE OPTICA FARO DELANTERO TRIAL / HEADLIGHT BRACKET	ET25000RC2808	1
23	TORNILLO ESP.6X12 CON ARANDELA Y FIJADOR INOX	BT35000073012	2
23A	TUERCA CUADRADA M6 INOX DIN 557	T730600000009	2
24	ADH. PROTECTOR ESCAPE AMIANTO / EXHAUST PROTECTOR STICKER	BT795502811	1
25	PUENTE HORQUILLA DELANTERA / FRONT SUSPENSION UNION	BT21500R3009	1
26	TORNILLO ESPECIAL 6X14 / 6X14 SPECIAL SCREW	T0206014	4
27	TORN ROSCA PLASTICO 3,6 X 10 ZINCADO	T36040101910B	2
28	GRAPA SUJECCION CABLE	ET750502809	2
29	TORNILLO ROSCA-CHAPA 3.5X13 / SCREW 3.5X13	T0603513	2
32	TUBO FLEXIBLE SILICONA BASE ASIENTO / SEAT BASE SILICON HOSE	BT795302811	1
33	ARANDELA 5X12X1'5 / WASHER 5X12X1'5	T4005012	1
35	CTO. FARO TXT RACING RAGA / RACING RAGA HEADLIGHT SET	BT90000243012	1
36	INTERRUPTOR CDI / CDI SWITCH	ET511903013	

GASGAS

Chasis 5



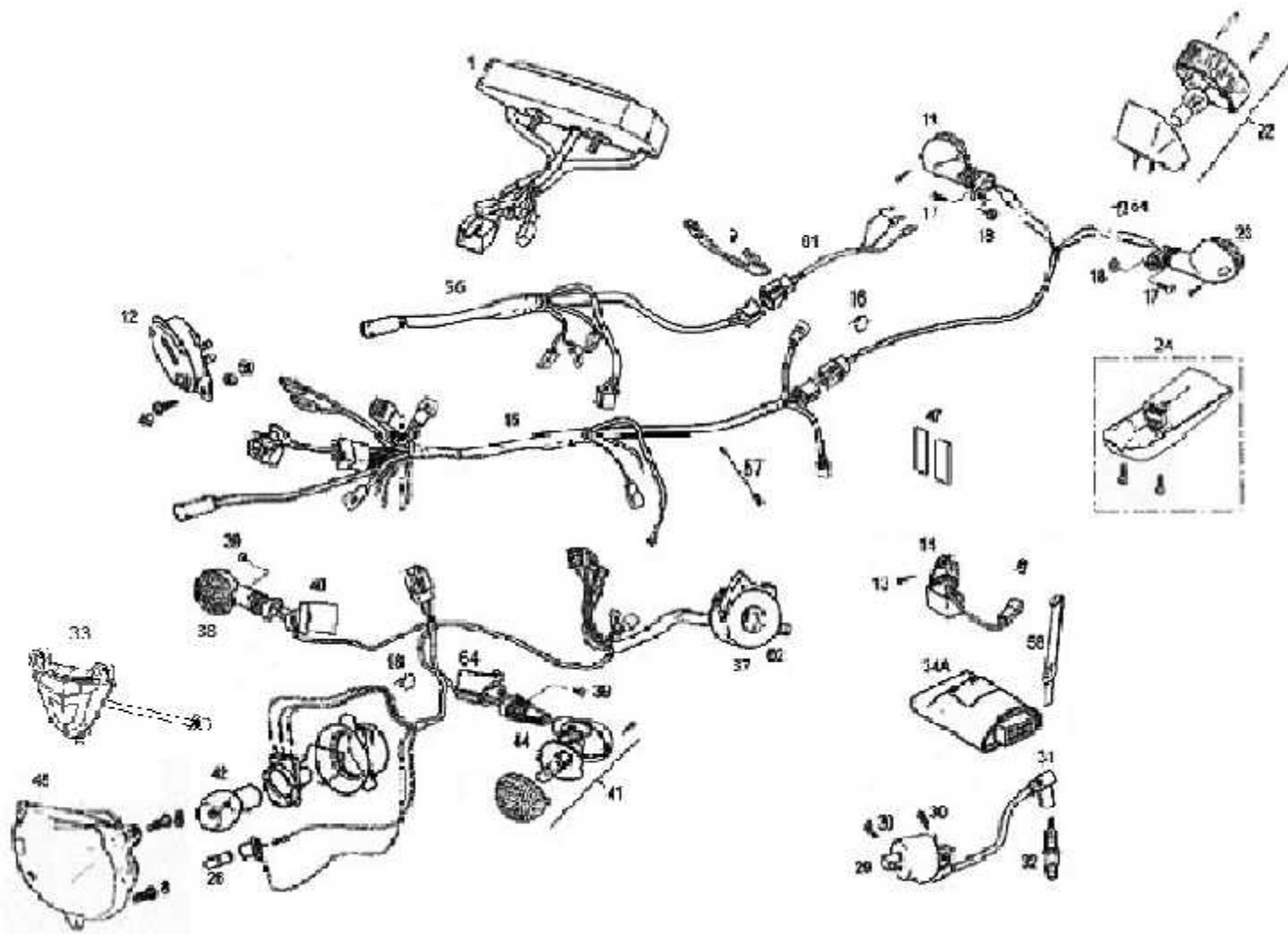




Nº	DESCRIPCION / DESCRIPTION	125	250 / 280 / 300	Cant.
1	CTO.DEPOSITO GASOLINA RACING 2013 EN PLASTICO BUFADO		BT760013013CT	1
2	MODULO VENTILADOR / FUN MODULE		BT120532342	1
3	CTO.TAPON GASOLINA TRIAL 2012		BT80000053012	1
4	PROTECTOR TERMICO DEPOSITO GASOLINA / FUEL TANK HEAT SHIELD		BT960303013	1
5	GOMA INSONORIZA DEPOSITO GASOLINA 2012		BT80000093012	1
6	GRIFO GASOLINA C/90 / FUEL VALVE		BIT50010031	1
7	ARANDELA GRIFO DEPÓSITO / WASHER TANK TAP		BT27910131	1
8	TUERCA GRIFO DEPÓSITO / NUT TANK TAP		BT27910132	1
9	ABRAZADERA ELÁSTICA NEGRA ALAMBRE 9.3X9.9 2016055 / SPRING CLAMP		L200036	2
10	TUBO GASOLINA TRIAL / FUEL HOSE		BT780053013	1
11	TORNILLO DESVAPORIZADOR		BT80000033012	1
12	CASQUILLO DEPOSITO TRIAL		BT761053013	1
13	ARANDELA DE GOMA Ø14.9 X Ø10 X 1.5		BT760953013	1
14	TUBO DESVAPORIZADOR TAPON GASOLINA COMPLEMENTARIO		BT80000063012	1
15	VÁLVULA DESVAP. DEPÓSITO / UNSTEAMER VALVE		BT27836025	1
16	CTO.TUBO DESVAPORIZADOR GASOLINA RAGA 2012		BT80000073012	1
17	TORNILLO ROSCA CHAPA CON ARANDELA / SCREW THREAD WITH WASHER		T0604210	1
18	BRIDA UNEX CORTA 2.5X98 / UNEX CALMP		BE25634010	1
19	CONJUNTO RADIADOR		BT700003013CT	1
20	CASQUILLO RADIADOR		BT700903013	3
21	GOMA SILENTBLOCK		G220000	3
22	PROTECTOR RADIADOR		BT730502809	1
23	TORNILLO ALLEN M6x30		T0306030	1
24	TORNILLO ULS ALLEN CON ARANDELA M6x25		T0556020	2
25	CABLE ELECTRICO TERMOCONTACTO VENTILADOR		ET701053013	1
26	ABRAZADERA COBRA DE 22		L200038	1
27	ABRAZADERA COBRE DE 23		L200041	1
28	TUBO RADIADOR A CULATA	BT-71050-1213	BT710503013	1

GASGAS

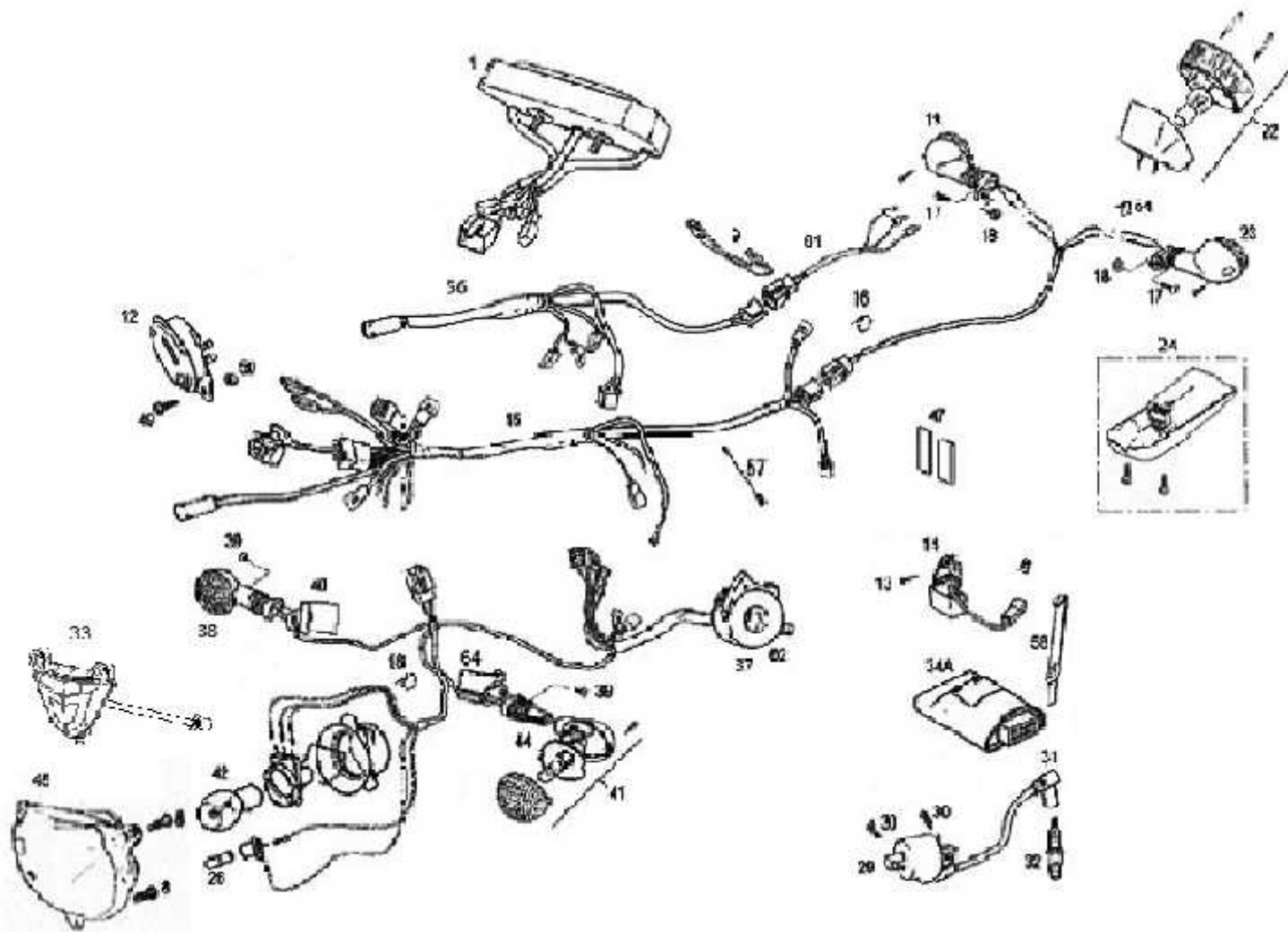
Chasis 8

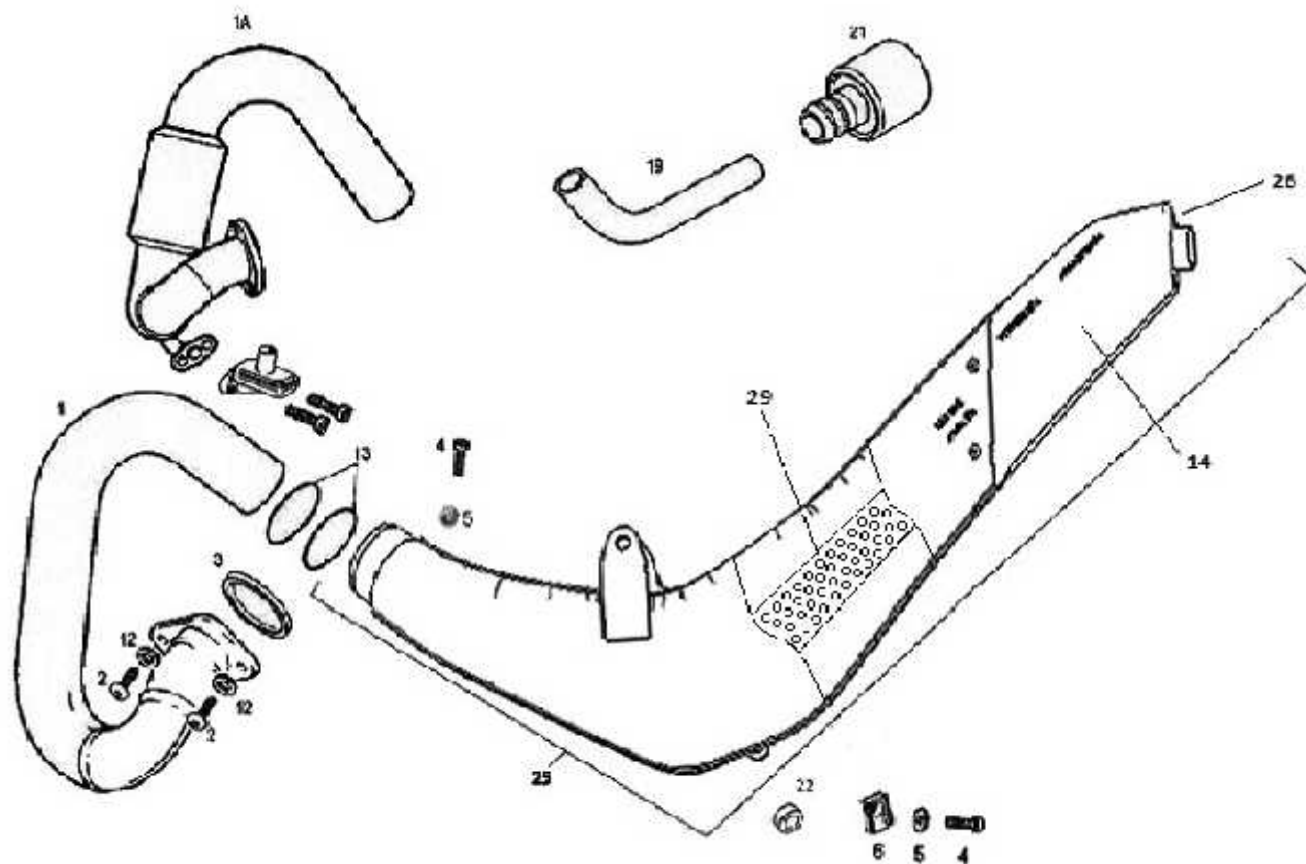


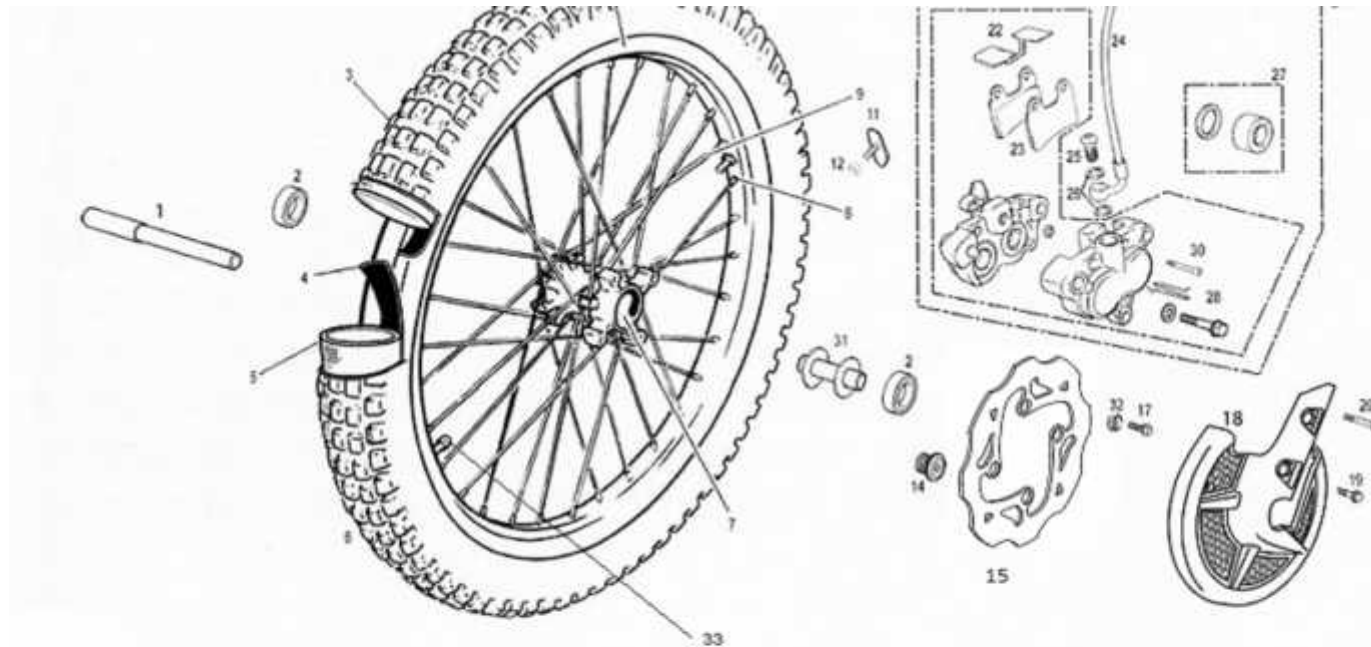
Nº	DESCRIPCION / DESCRIPTION	125	250	280	300	125 / 250 / 280 / 300	Cant.
1	MULTIFUNCIÓN TRIAL / TRIAL MULTIFUNCTION					ET600002808	1
7	BOMBILLA 12V 1,2-9W / 12V 1,2-9W BULB					L300123	3
9	SOPORTE CUENTA KM. / KM. COUNTER SUPPORT					BT280634045	1
12	CTO. CLAXON PE40065G11 / HORN ASSY					L300105	1
13	TORNILLO ESPECIAL 6X14 / 6X14 SPECIAL SCREW					T0206014	1
14	REGULADOR ALTERNADOR / ALTERNATOR REGULATOR					L300031	1
15	INSTALACIÓN TRIAL / TRIAL INSTALLATION					ET10000RC2808	1
15A	INSTALACIÓN HOMOLOGADA / HOMOLOGATED INSTALLATION					ET10000003012	1
16	BRIDA UNEX MEDIANA / UNEX CLAMP					BE25634009	3
17	ULS 6X16 NEGRO / 6X16 ULS BLACK BOLT					T0506016N	2
18	TUERCA CON ARANDELA M6 / M6 NUT WITH WASHER					T2206000	2
19	INTERMITENTE DERECHO TRASERO / RIGHT REAR INDICATOR					BT280634018	1
22	FARO PILOTO TRIAL HOMOLOGADO / HOMOL. TRIAL REAR LIGHT SET					BP27534015	1
23	INTERMITENTE IZQUIERDO TRASERO / LEFT REAR INDICATOR					BT280634019	1
24	FARO PILOTO TRIAL / TRIAL REAR LIGHT SET					ET30000CT2811	1
25	TORNILLO ROSCA CHAPA 3.5X13 / BOLT 3.5X13					T0603513	3
26	LÁMPARA 12V3W BIFARO AM0518 / 12V 3W LAMP					L300119	1
27	TIRA ADHESIVA 45MM. CAJA FILTRO EC2003 / STICKER 45MM.					BE250328039	2
29	BOBINA / ELECTRIC COIL	ET500002809	ET500003013	ET500003013	ET500003013	-----	1
30	ALLEN 6X16 / ALLEN 6X16 BOLT					T0306016	3
31	PIPA BUJÍA IB05EMH = BT27934000 / SPARK PLUG					BT25934000	1
32	BUJÍA BPR5ES / SPARK PLUG					M04012000	1
33	CTO. OPTICA RACING RAGA 2011					BT900000123011	1
34A	CDI DIGITAL / DIGITAL CDI	ET511001213CT	ET511002513CT	ET511002813CT	ET511003013CT	-----	1
37	CONMUTADOR LUZ TT-97 / LIGHT SWITCH					ET10000013012	1
38	INTERMITENTE DERECHO DELANTERO / FRONT RIGHT INDICATOR					BT28063401812	1
39	TORNILLO PHILIPS ROSCA-CHAPA 6.3x16 NEGRO / 6.3X16 CLACK SCREW					T0706316	2
40	SOPORTE INTERMITENTE DELANTERO / FRONT INDICATOR SUPPORT					BE250134017	2

GASGAS

Chasis 9





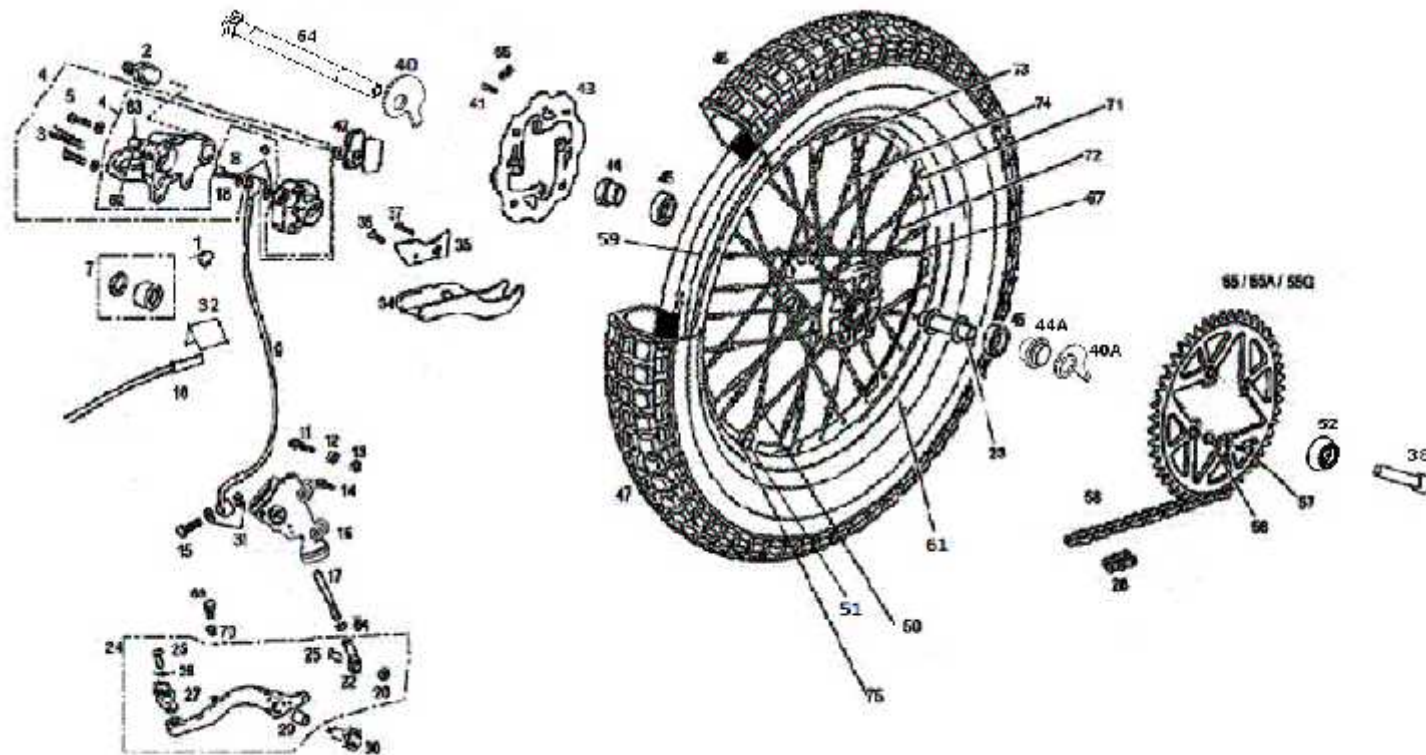


Nº	DESCRIPCION / DESCRIPTION	125 / 250 / 280 / 300	Cant.
1	EJE RUEDA DELANTERA TRIAL PRO 2004 / FRONT WHEEL AXLE	BT53000R3009	1
2	COJINETE / BEARING	ME120136055	2
3	CUBIERTA DELANTERA 2.75X21 / FRONT TYRE	BT501002810	1
4	GOMA PROTECTOR R14025 2.75X21 REF. 554350 / FRONT FLAP TYRE	N100000	1
5	CÁMARA DELANTERA 2.75X21 REF. 450905 / FRONT TUBE	N120000	1
6	RUEDA DELANTERA TRIAL PRO / PRO FRONT WHEEL	BT500003013CT	1
7	CUBO RUEDA DELANTERA TRIAL / FRONT HUB WHEEL	BT280418007	1
8	TUERCA RADIOS 3MM. RUEDA DELANTERA DIA. 6.5 / SPOKE NUT	BT27718001	32
9	RADIO 3X257 RUEDA DELANTERA TRIAL NEGRO / BLACK FRONT WHEEL SPOKE	BT54200N2809	32
11	AGARRE CUBIERTA / TYRE CLAMP	BE25618027	1
12	TUERCA CON ARANDELA ESTRIADA M8 ZINCADA / NUT WITH WASHER	BE25818060	1
14	TORNILLO EJE RUEDA DEL. TRIAL PRO 2004 / FRONT WHEEL AXLE SCREW	BT53010R3009	1
15	DISCO FRENO DELANTERO / FRONT BRAKE DISK	BT52000R3010	1
16	PINZA FRENO DELANTERO / FRONT BRAKE PADS	BT620002811	1
17	HEXAGONAL M8 CON ARANDELA / M8 HEXAGONAL SCREW WITH WASHER	T0206020	4
18	PROTECTOR DISCO FRENO / FRONT BRAKE DISK PROTECTOR	BT94100RB3009	1
19	TORNILLO PINZA FRENO DELANTERA INFERIOR 8X1.25X36.5 / SCREW	BT280022071	1
20	TORNILLO PINZA FRENO DELANTERA SUPERIOR 8X1.25X62.5 / SCREW	BT280022070	1
21	CTO. FRENO DELANTERO TRIAL / FRONT BRAKE SET	BT600003013	1
22	PLANCHA PROTECCIÓN PASTILLAS FRENO / BRAKE PAD PROTECTOR	BT280222213	1
23	PASTILLA FRENO DELANTERA 229.99102 / FRONT BRAKE PAD	BT280222065	2
24	LATIGUILLO FRENO DELANTERO 2000 / FRONT BRAKE TUBE	BT611002811	1
25	SANGRADOR FRENO DELANTERO D8 / HOSE SCREW	BT612002811	1
26	ARANDELA PLANA COBRE 10.25X14X1.4 / 10.25X14X1.4 WASHER	BT27922072	2
27	KIT REPARACION PINZA FRENO DEL. / FRONT BLAKE CALIPER SET	BT280222201	1
28	CHAVETA SUJECCIÓN PASTILLA FRENO / FRONT BRAKE PAD KEY	R250000	1
29	LLANTA DELANTERA COLOR TITANIO /TITAN COLOR FRONT WHEEL RIM	BT540002810	1
30	TORNILLO SUJECCION PASTILLAS / BRAKE PADS SCREW	BT280222006	1
31	CASQUILLO INTERIOR BUJE / BUSHING	BT280418051	1
32	DISTANCIADOR DISCO FLOTANTE / WASHER FLOATING DISC	BT27918019	4
33	JUEGO TAPONES SILICONA VALVULA TRIAL ROJOS	BT555002808R	1
34	CTO. LLANTA DELANTERA RADIADA	BT54000CT2811	1

Rueda trasera /
Rear wheel

GASGAS

TXT RACING 2013

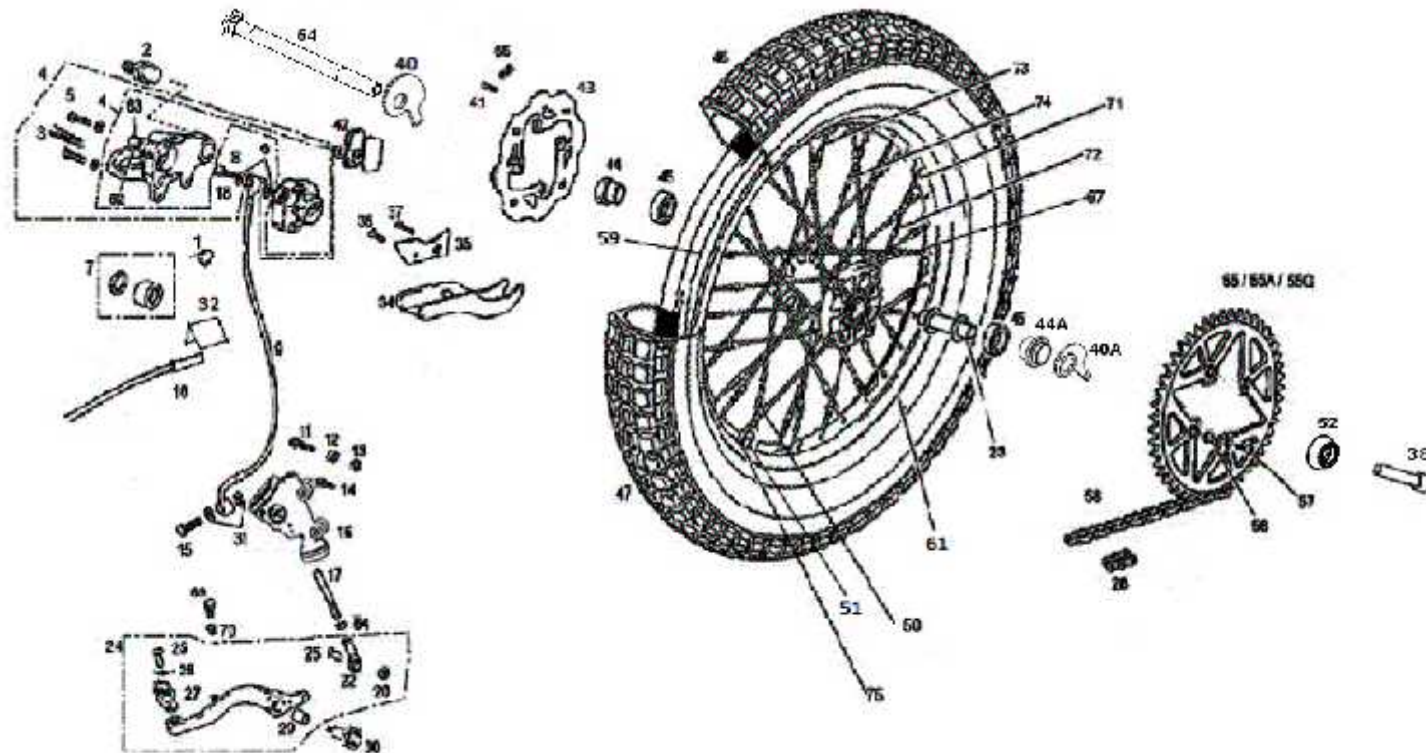


Nº	DESCRIPCION / DESCRIPTION	125 / 250 / 280 / 300	Cant.
1	BRIDA UNEX CORTA 2221-0 2,5X98 / O 2.5X98 / CABLE TIES 2.5X98	BE25634010	1
2	CASQUILLO CENTRADOR PINZA / SPACER BUSHING	BT280222049	1
3	CHAVETA SUJECIÓN PASTILLA / KEY SPACER BRAKE PADS	R250000	1
4	PINZA FRENO TRASERA / CALIPER BRAKE REAR	BT670003013	1
5	TORNILLO LATERAL BOMBA FRENO TRASERO / BOLT PRESSURE HOSE	R320000	1
6	ARANDELA AL. 10X14X1.5 / WASHER 10X14X1.5	BT280422007	2
7	KIT REPARACIÓN PINZA FRENO / REPAIR KIT BRAKE PAD	BT280222202	1
8	RACOR LATIG. FRE. TRAS. M10X1 TITANIO	BT280522006	1
9	LATIGUILLO FRENO TRASERO / REAR BRAKE HOSE	BT661002811	1
10	REENVÍO / HALL SENSOR	BT280634050	1
11	TORNILLO 6X25 / 6X25 BOLT	T0206025	1
12	CASQUILLO SEPARADOR FRENO TRASERA / REAR BRAKE PUMP SPACER	BT280226240	1
13	TUERCA CON ARANDELA M6 (DIN 6923) ESTRIADA / M6 NUT WITH WASHER	T2206000	2
14	TORNILLO ESPECIAL 6X14 / 6X14 SPECIAL SCREW	T0206014	1
15	RACOR LATIGUILLO BOMBA FRENO D8	BT662002811	1
16	BOMBA FRENO TRASERO / REAR BRAKE PUMP	BT660002811	1
17	VARILLA FRENO TRASERA TRIAL 2002 / BRAKE ROD	BT280222062	1
18	RACOR SENSOR FRENO BOMBA TRASERA.	BT662052811	1
20	ARANDELA PLANA 6X12X1.5 / WASHER 6X12X1.5	T4006012	1
22	RÓTULA PEDAL FRENO / BRAKE PEDAL BALL-AND-SOCKET JOINT	BT280222053	1
23	CASQUILLO SEPARADOR 390.80.221 / BUSHING	BT280218052	1
24	CTO. PEDAL FRENO TRASERO / REAR BRAKE PEDAL SET	BT13000CT2809	1
25	REMACHE PUNTERA PEDAL FRENO / BRAKE PEDAL END RIVET	BE25922018	1
26	MUELLE PUNTERA PEDAL / SPRING PEDAL, END GEAR CLEVER	ME25636029	1
27	PUNTERA PEDAL FRENO / TOE PEDAL BRAKE	BT27922017	2
28	ENGANCHE CADENA IRIS 520 RXL / CHAIN SPLIT LINK	BT280310066	1
29	GLACIER PEDAL FRENO 1215PD10 / GLACIER BRAKE PEDAL	C200101	1
30	CASQUILLO TORNILLO PEDAL FRENO TRIAL / SCREW BUSHING	BT280610302	1
31	ARANDELA RACOR D8X12X1.5	BT662102811	2
32	GRAPA SUJECION SENSOR CTA. KM.	BT280634053	1

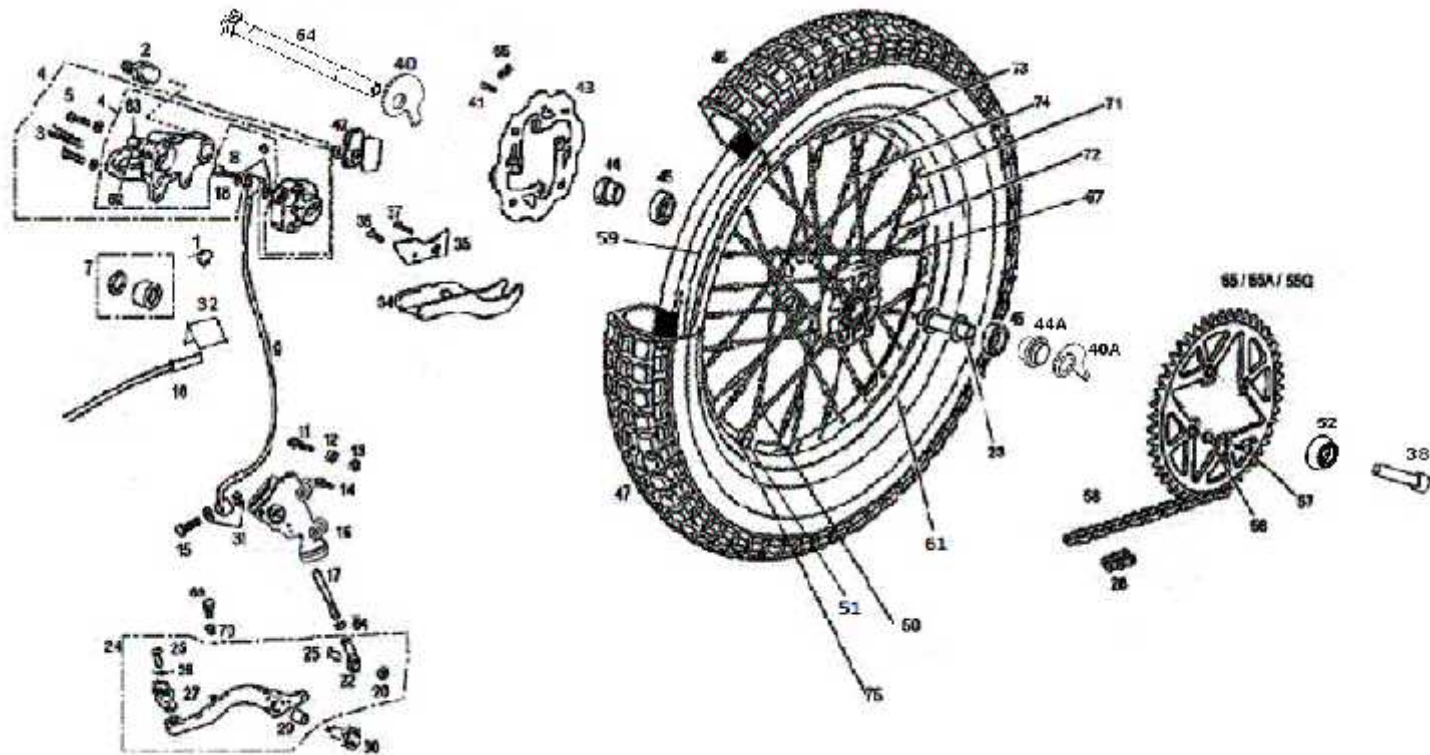
Rueda trasera /
Rear wheel

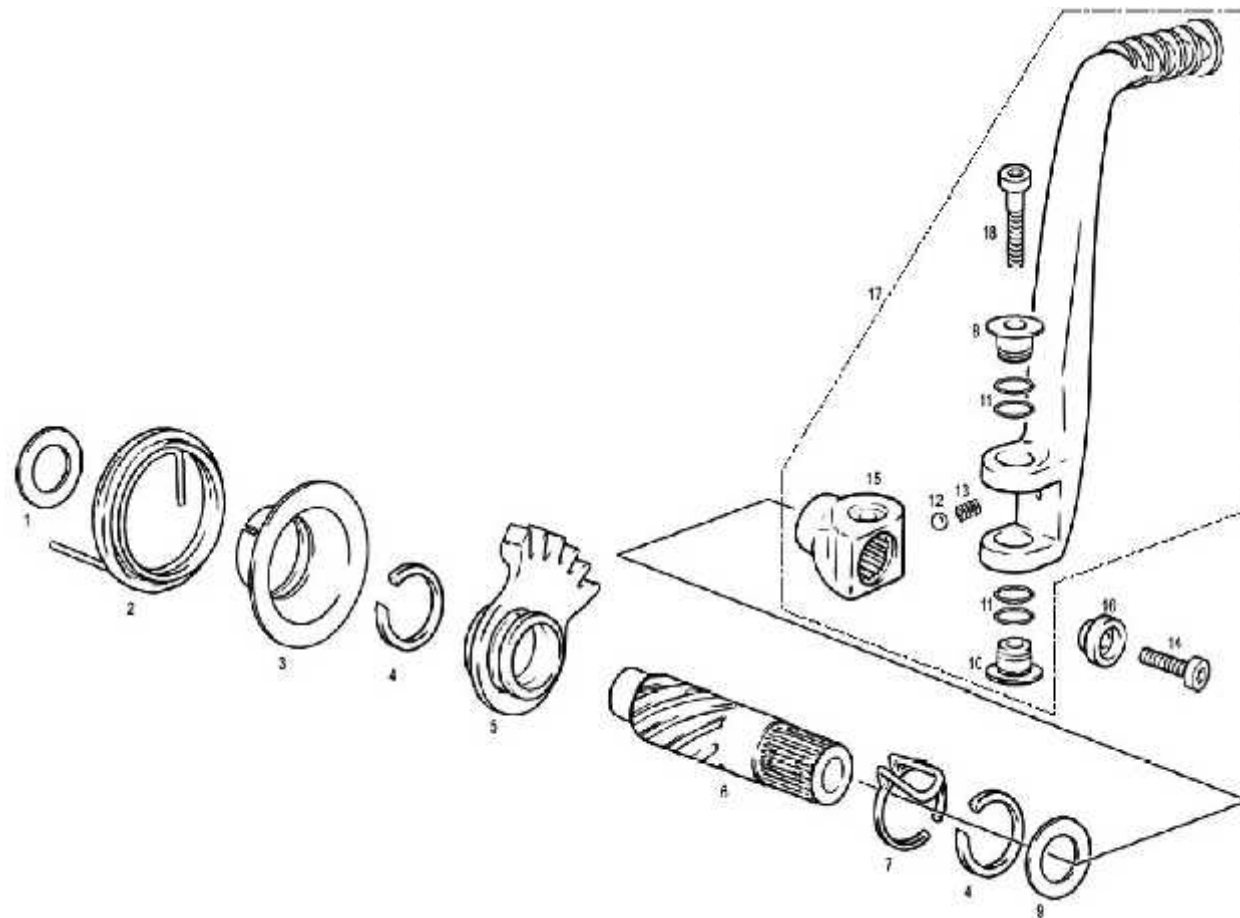
GASGAS

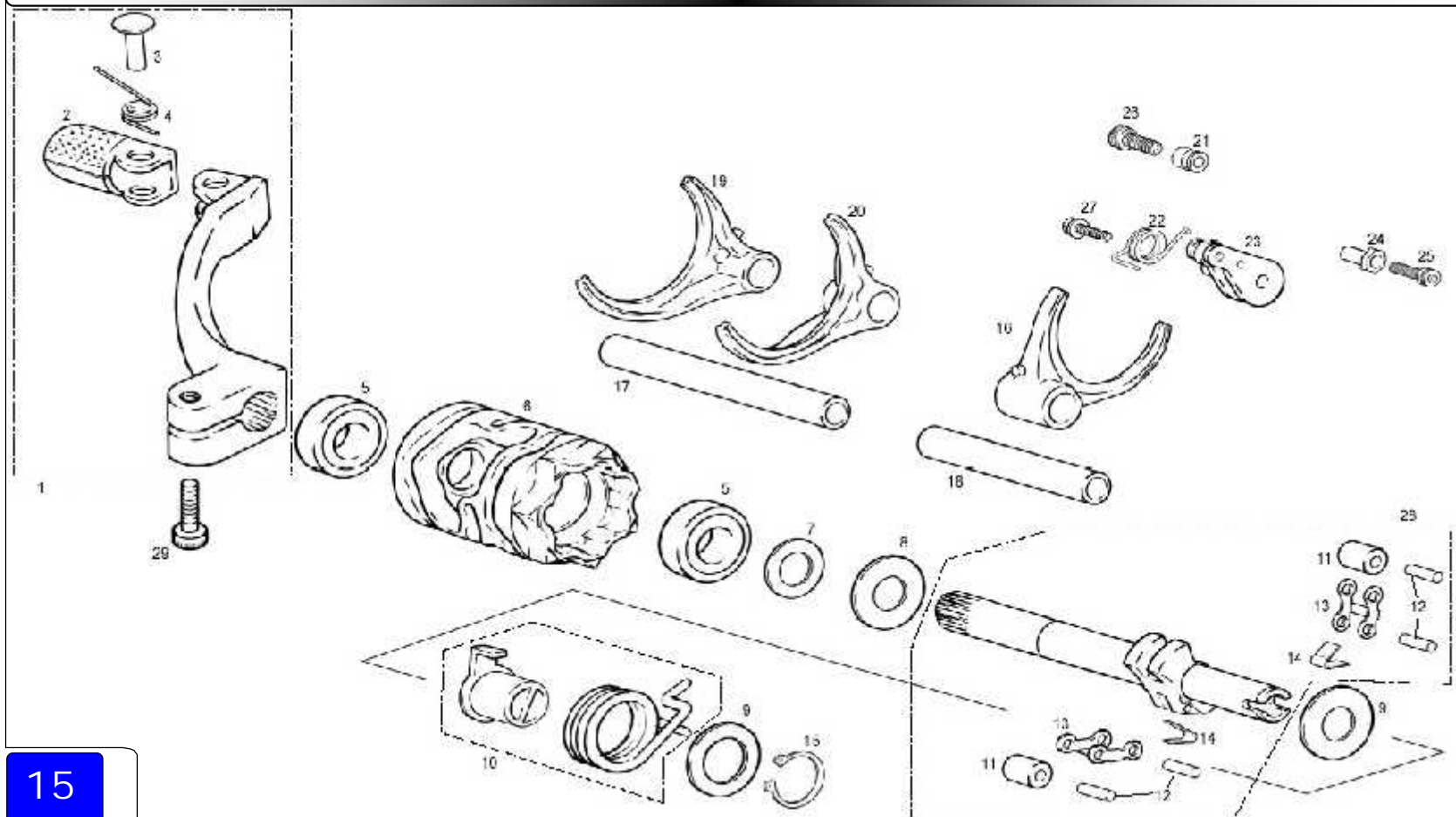
TXT RACING 2013



Nº	DESCRIPCION / DESCRIPTION	125	125 / 250 / 280 / 300	Cant.
34	PROTECTOR DISCO TRASERO 2001 / BRAKE DISC PROTECTOR		BT57050R3009	1
35	SOPORTE PROTECTOR DISCO TRASERO / BRAKE DISC PROTECTOR SUPPORT		BT280222051	1
36	ULS 5X12 / 5X12 ULS		T0505012	1
37	TORNILLO ULS 6X20 / 6X20 ULS BOLT		T0506020	1
38	TORNILLO EJE RUEDA TRASERA / REAR WHEEL AXLE BOLT		BT280718023	2
39	ARANDELA EJE TRASERO 17X30X1,5 DIN 137 / REAR WASHER		BT280436014	1
40	EXCÉNTRICA TRASERA / REAR SAIL CAM ADJUSTER		BT581303013	1
40A	EXCENTRICA TRASERA LADO CORONA		BT581353013	1
41	TORNILLO 6X18 / 6X18 SCREW		T0206020	4
42	PASTILLA FRENO TRASERA / REAR BRAKE PADS		BT280222068	2
43	DISCO FRENO TRASERO TRIAL / REAR BRAKE DISK		BT57000R3010	1
44	DISTANCIADOR RUEDA TRASERA 7.5MM / REAR SPACER WHEEL		BT58100R3009	1
44A	DISTANCIADOR RUEDA TRAS.LADO CORONA / CROWN SIDE REAR WHEEL SPACER		BT55000013012	1
45	COJINETE 6004 / BEARING		C160001	2
46	CUBIERTA TRASERA 400X18 TBLS / REAR WHEEL TYRE		BT551002810	1
47	RUEDA TRASERA TRIAL / TRIAL REAR WHEEL		BT550003013CT	1
50	TENSOR RADIO / SPOKE NUT		BT592032809	32
51	VÁLVULA / AIR VALVE		N200110	1
52	CASQUILLO TORNILLO EJE RUEDA TRASERA / REAR WHEEL AXLE CAP SCREW		BT581203013	1
54	EJE RUEDA TRASERA / REAR WHEEL AXLE		BT580003013	1
55	CORONA TITANIO Z41 / SPROCKET TITANIUM Z41	BT573001213		1
55A	CORONA TITANIO Z42 / SPROCKET TITANIUM Z42		BT573003013	1
55G	CORONA COLOR TITANIO Z48 CEX	BT573011213		1
56	TUERCA AUTOBLOCANTE M8 BAJA / LOW SELF-LOCK NUT		T2108001	4
57	ULS 8X20 PLAT. PROT. / 8X20 ULS		T0508022	4
58	CADENA TRIAL / TRIAL CHAIN		BT280310036	1
			BT581353013	



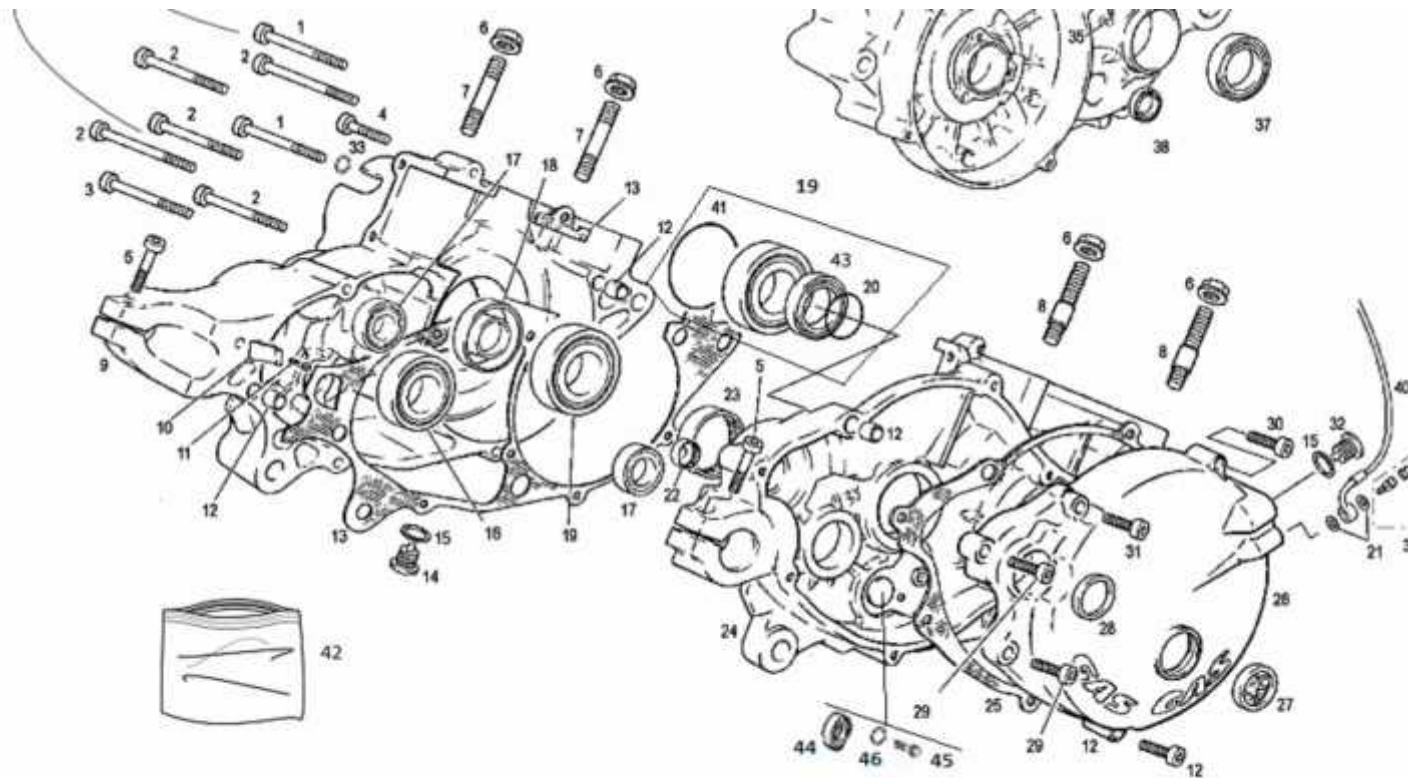




Nº	DESCRIPCION / DESCRIPTION	125 / 280 / 300	Cant.
1	CTO. PEDAL CAMBIO / GEAR PEDAL COMPLETE	MT280238026	1
2	PUNTERA PEDAL CAMBIO / GEAR PEDAL END	ME25636027	1
3	REMACHE PUNTERA CAMBIO / RIVOT PEDAL END	ME25636030	1
4	MUELLE PUNTERA PEDAL CAMBIO / PEDAL END SPRING	M121000	1
5	COJINETE 12X24X6 2Z DESMO / 12X24X6 2Z DESMO BEARING	MT280238032	2
6	DESMODRÓMICO / SHIFT DRUM	MT280238031	1
7	ARANDELA 12,2X18X0,5 / 12,2X18X0,5 WASHER	T4001218	1
8	ARANDELA 12,2X24X0,5 / 12,2X24X0,5 WASHER	T4001224	1
9	ARANDELA 10,2X24X0,5 / 10,2X24X0,5 WASHER	T4011024	2
10	POSICIONADOR Y MUELLE EJE SELECTOR / SHIFT SHAFT CENTER LOCATOR AND SPRING	MT280238037CT	1
11	RODILLO TRINQUETE SELECTOR / RATCHET ROLLER	MT280238040	2
12	AGUJA 3X13,8 / 3X13,8 NEEDLE	MT280238048	4
13	TRINQUETE SELECTOR / RATCHET ARM SELECTOR	MT280238036	2
14	MUELLE TRINQUETE SELECTOR / RATCHET SEL. SPRING	MT280238039	2
15	CIRCLIP E10 EJE / E10 SHAFT CIRCLIP	M03314011	1
16	HORQUILLA PRIMARIA / SHIFT FORK PRIMARY	MT280238009	1
17	EJE HORQUILLA LARGO / LONG FORK SHAFT	MT280238044	1
18	EJE HORQUILLA CORTO / SHORT FORK SHAFT	MT280238045	1
19	HORQUILLA 2-4-5-6 / 2-4-5-6 FORK	MT280238007	1
20	HORQUILLA 1-3 / 1-3 FORK	MT280238008	1
21	TOPE MUELLE FIJADOR / SPRING REST POST	MT280238049	1
22	MUELLE FIJADOR MARCHAS / GEAR SELECTOR SPRING	MT280238034	1
23	FIJADOR MARCHAS / GEAR SELECTOR ARM AND ROLLER	MT280238033	1
24	TOPE MUELLE EJE SELECTOR / SELECTOR SPRING TOP SHAFT	MT280238050	1
25	ALLEN 5X25 DACROMET / 5X25 DACROMET ALLEN BOLT	T0305025	1
26	ALLEN 5X20 / 5X20 ALLEN	T0305020	1
27	HEXAGONAL 5X25 CON ARANDELA / HEXAGONAL BOLT WITH WASHER	BT280010086	1
28	CONJUNTO EJE SELCTOR / SHIFT SHAFT SET	MT280238043	1
29	ALLEN 5X15 / 5X15 ALLEN	T0305015	1

GASGAS

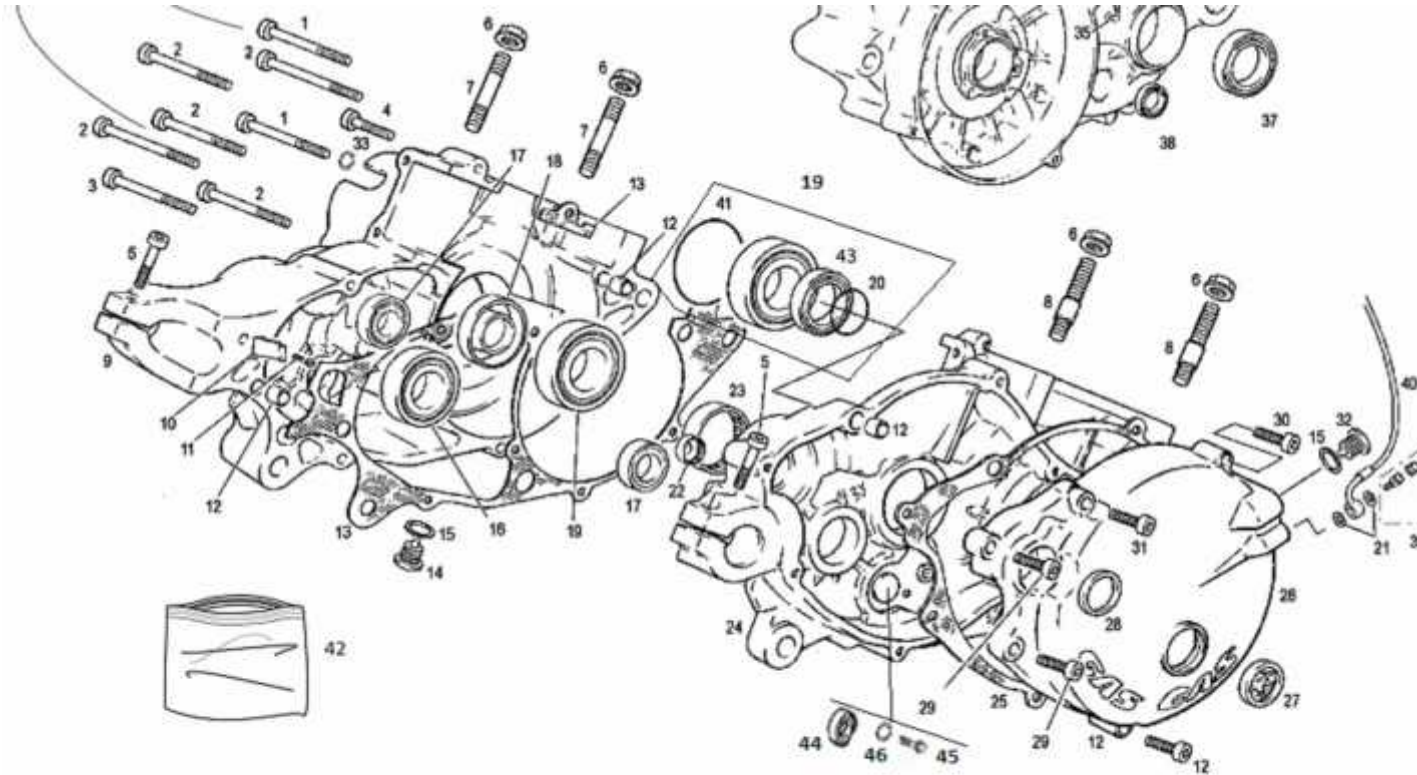
Motor 2

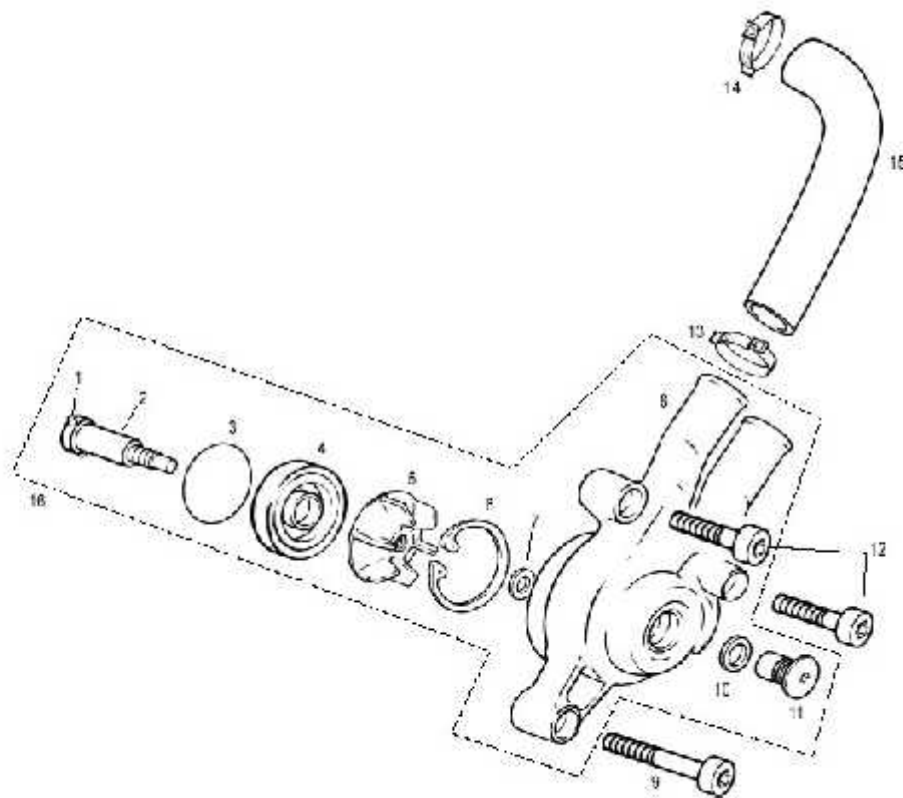


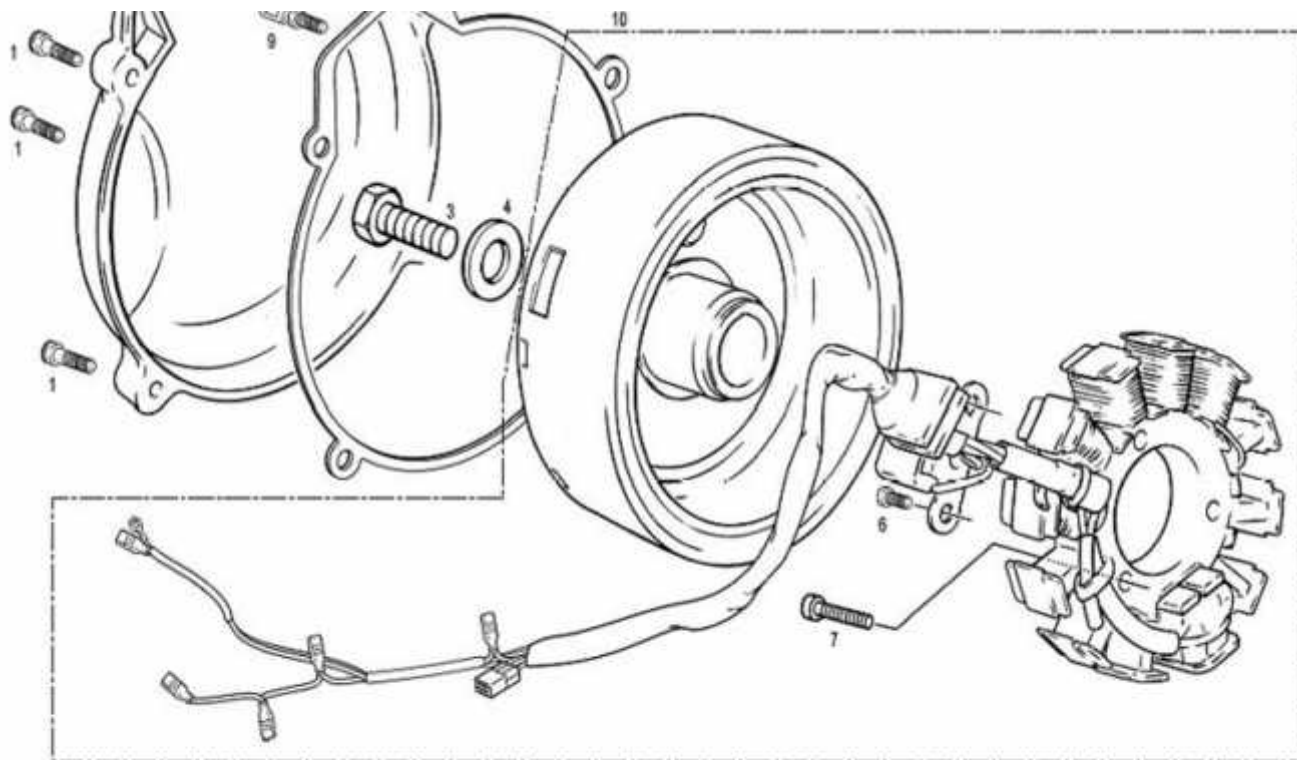
Nº	DESCRIPCION / DESCRIPTION	125	280 / 300	Cant.
1	ALLEN 5X65 ZINCADO NEGRO / 5X65 BLACK ALLEN BOLT		T0315065	2
2	ALLEN 5X55 ZINCADO NEGRO / 5X55 BLACK ALLEN BOLT		T0305055	5
3	ALLEN 5X75 ZINCADO NEGRO / 5X75 BLACK ALLEN BOLT		T0315075	1
4	ALLEN 5X35 DACROMET / 5X35 DACROMET ALLEN BOLT		T0305035	1
5	ALLEN 5X20 DACROMET / 5X20 DACROMET ALLEN BOLT		T0305020	2
6	TUERCA CILINDRO 8.8 ESP / CILINDER NUT		M01613001	4
7	ESPÁRRAGO CILINDRO / BASE STUD CYLINDER LEFT		MT280216023	2
8	ESPÁRRAGO CON CENTRAJE / BASE STUD CYLINDER RIGHT		MT280216056	2
9	CÁRTER IZQUIERDO TRIAL / LEFT CRANKCASE HALF		MT110002811	1
10	TOPE ARRANQUE TRIAL / STOP KICKSTART PEDAL		MT890202811	1
11	ALLEN 5X15 DACROMET / 5X15 DACROMET ALLEN BOLT		T0305015	1
12	CASQUILLO CENTRADOR CÁRTER 6X9X14 / CRANKCASE BUSHING		M01017000	4
13	JUNTA CÁRTER CENTRAL 0.2 MM / CENTER CRANKCASE GASKET		MT280344001	1
14	TAPÓN VACIADO ACEITE CON IMÁN / MAGNETIC OIL DRAIN PLUG		ME25610017	1
15	ARANDELA TIPO BUJÍA 12X18X2 / WASHER		MT280410030	2
16	COJINETE 25X47X12 / 25X47X12 / BEARING		MT280236159	1
17	COJINETE 15X32X9 6002 2RSL CAMBIO / BEARING GEAR		MT280236160	2
18	RETÉN 25X35X7 TEFLÓN CIGUEÑAL IZQUIERDO / OIL SEAL CRANK SHAFT		MT280212009	1
19	COJINETE CIGUEÑAL ST5225 / ST5225 CRANKSHAFT BEARING		MT31000CT2811	2
20	TÓRICA 25X1.5 NBR / O'RING		MT280212025	2
21	ARANDELA AM 10X14X1.5 / WASHER		BT280422007	2
22	COJINETE BK1412 ARRANQUE TRIAL / KICKSTART BEARING		MT280226067	1
23	COJINETE 35X45X12 NQ (EJE PRIMARIO) / 35X45X12 BEARING		MT280236158	1
24	CÁRTER DERECHO TRIAL / RIGHT CRANKCASE		MT10000043012	1
25	JUNTA TAPA EMBRAGUE / CLUTCH COVER GASKET		MT280244002	1
26	TAPA EMBRAGUE MG TRIAL / CLUTCH COVER		MT650002811	1
27	VISOR NIVEL ACEITE EC400-4T / OIL LEVEL SIGHT GLASS		MFS400110015	1
28	RETÉN 18-24-4 TRIAL 2002 / 18-24-4 4 KICKSTART SHAFT SEAL		MT280226016	1
29	ALLEN 5X25 DACROMET / 5X25 DACROMET ALLEN BOLT		T0305025	2
30	ALLEN 5X30 DACROMET / 5X30 DACROMET ALLEN BOLT		T0305030	2
31	ALLEN 5X40 DACROMET / 5X40 DACROMET ALLEN BOLT		T0305040	1
32	TAPÓN LLENADO ACEITE / OIL FILL PLUG		M01016002	1
33	ARANDELA 5X9X1,5 COBRE / 5X9X1,5 WASHER		T4000509	1

GASGAS

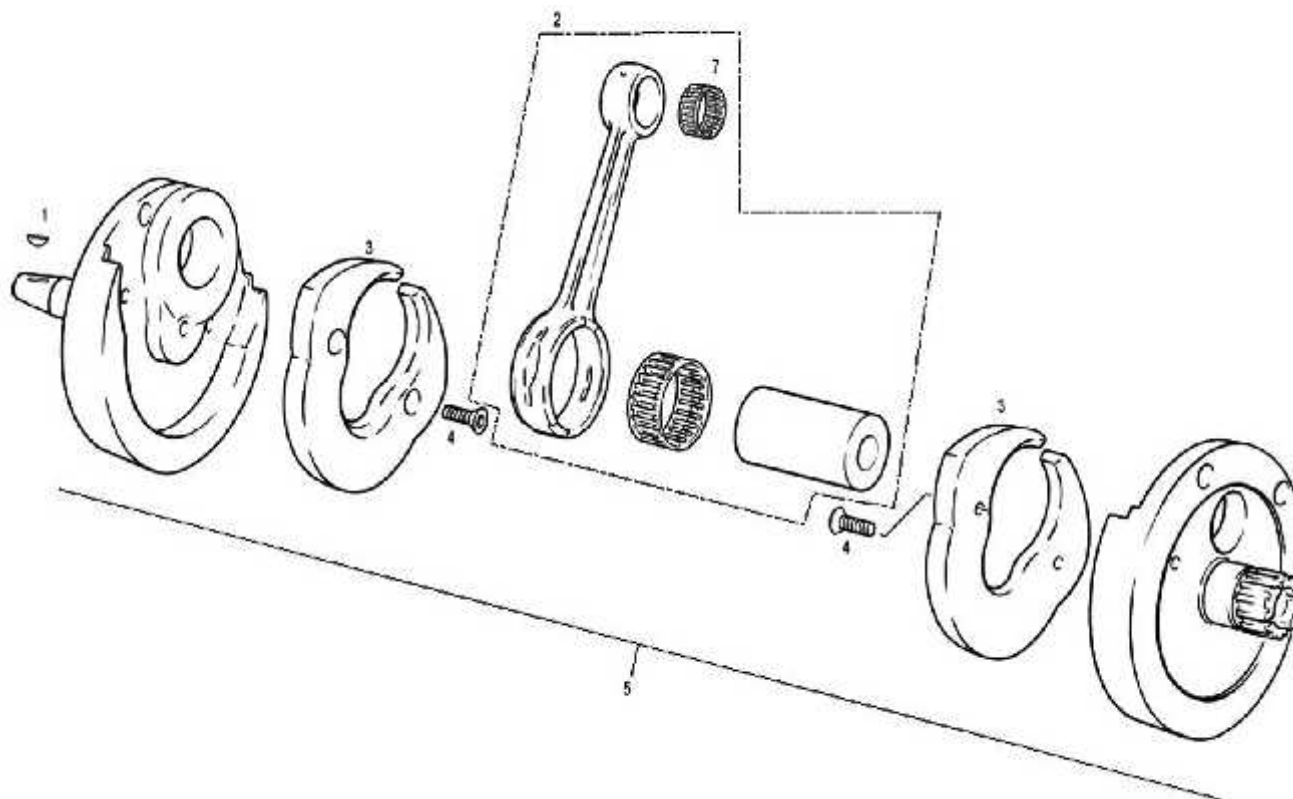
Motor 3

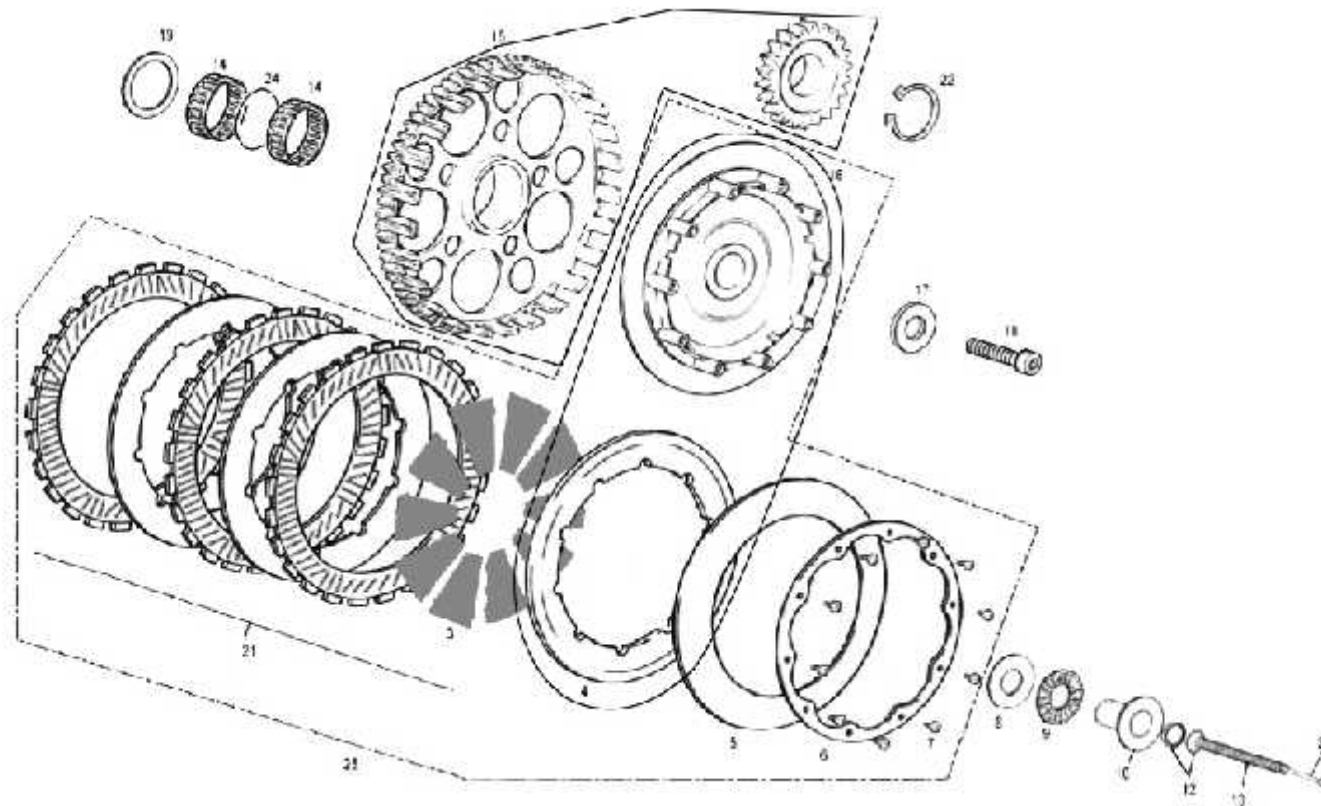


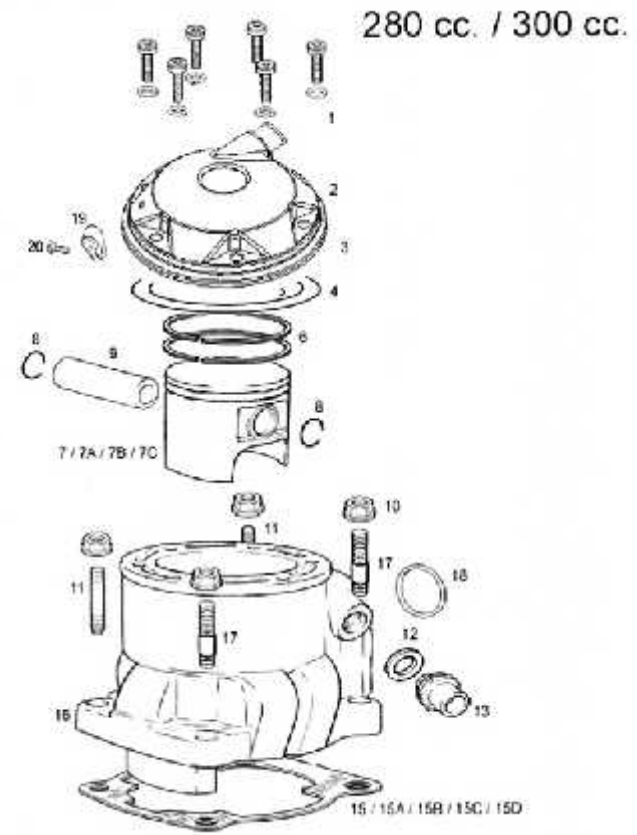
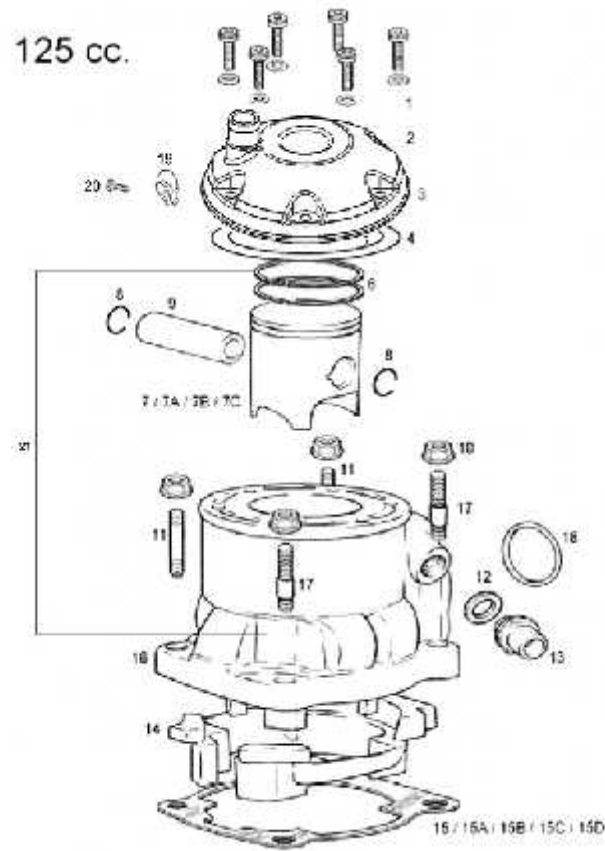




280 cc / 300 cc



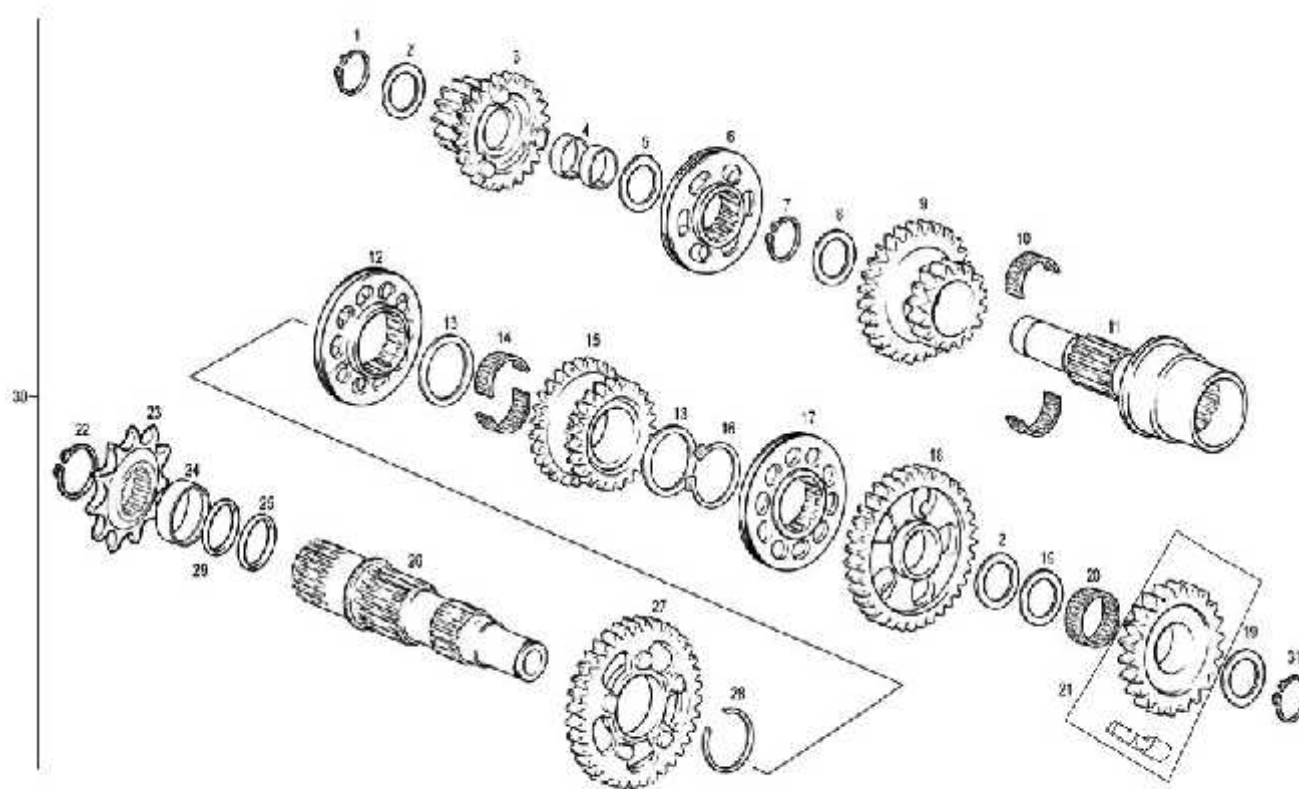




Nº	DESCRIPCION / DESCRIPTION	125	250	280	300	Cant.
1	ALLEN 6X25 / 6X25 ALLEN BOLT			T0306025	-	6
2	ARANDELA COBRE 6X10X1.5 / 6X10X1.5 WASHER			T4006008	-	6
3	CULATA TRIAL 2013 / CYL. HEAD	MT750001210	MT750002513CT	MT750002813CT	MT750003013CT	1
4	TÓRICA CULATA EXTERIOR / O'RING CYL. EXTERIOR	ME120116060		M01619135	-	1
5	TÓRICA CULATA INTERIOR / O'RING CYL. INTERIOR	MT120210040		M01619215	MT300416065	1
6	AROS PISTÓN / PISTON RING	MT120216040		MT710012808	MT710203010	2
7	PISTÓN TRIAL SXXI / PISTON TRIAL	MT120216020		MT71000CT2808	MT710003010	1
7A	PISTÓN LETRA B / PISTON B	MT120216121		MT71001CT2808	MT710013010	1
7B	PISTÓN LETRA C / PISTON C	MT120216122		MT280216122	MT300316122	1
7C	PISTÓN LETRA D / PISTON D	MT120216123		MT280216123	MT300316123	1
8	CIRCLIP PISTÓN / CLIP PISTON	ME25616126		MT280216126	MT280216126	2
9	BULÓN PISTÓN / PIN PISTON	MT120216125		MT280216125	MT280216125	1
10	TUERCA CILINDRO / CYLINDER NUT			M01613001	-	4
11	ESPÁRRAGO CILINDRO / STUD BOLT CYLINDER			MT280216023	-	2
12	ARANDELA PLANA FIBRA / FIBER WASHER			M01612026	-	1
13	RACORD CILINDRO / CYLINDER WATER HOSE NECK			MT280210013	-	1
14	ADAPTADOR CILINDRO / CYLINDER ADAPTER	MT120216087		-	-	1
15	JUNTA CILINDRO 0,8 mm. / 0,8 mm. GASKET CYLINDER BASE			MT280244000	-	1
15A	JUNTA CILINDRO 0,3 mm. / 0,3 mm. GASKET CYLINDER BASE			MT208224009	-	1
15B	JUNTA CILINDRO 1 mm. / 1 mm. GASKET CYLINDER BASE			MT280244010	-	1
15C	JUNTA CILINDRO 0,5 mm. / 0,5 mm. GASKET CYLINDER BASE	MT120244000		MT942002810	MT942002810	1
15D	JUNTA CILINDRO 0,15 mm. / 0,15 mm. GASKET CYLINDER BASE			MT280244015	-	1
16	CILINDRO TRIAL / CYLINDER	MT120716022		MT70002809	MT70003009	1
17	ESPÁRRAGO CON CENTRAJE / STUD WITH CENTER			MT280216056	-	2
18	JUNTA ESCAPE / EXHAUST GASKET			MT280244012	-	1
19	GRAPA SUJECCION CABLES / WIRE SUPPORT	ET750502809		ET750502809	ET750502809	1
20	ALLEN 4X6 ZINCADO / M4X6 ALLEN	T0304006		T0304006	T0304006	1
21	CTO. CILINDRO Y PISTON / SET CYLINDER AND PISTON	MT120716022CT	MT70000CT2509	MT70000CT2809	MT70000CT3009	1

GASGAS

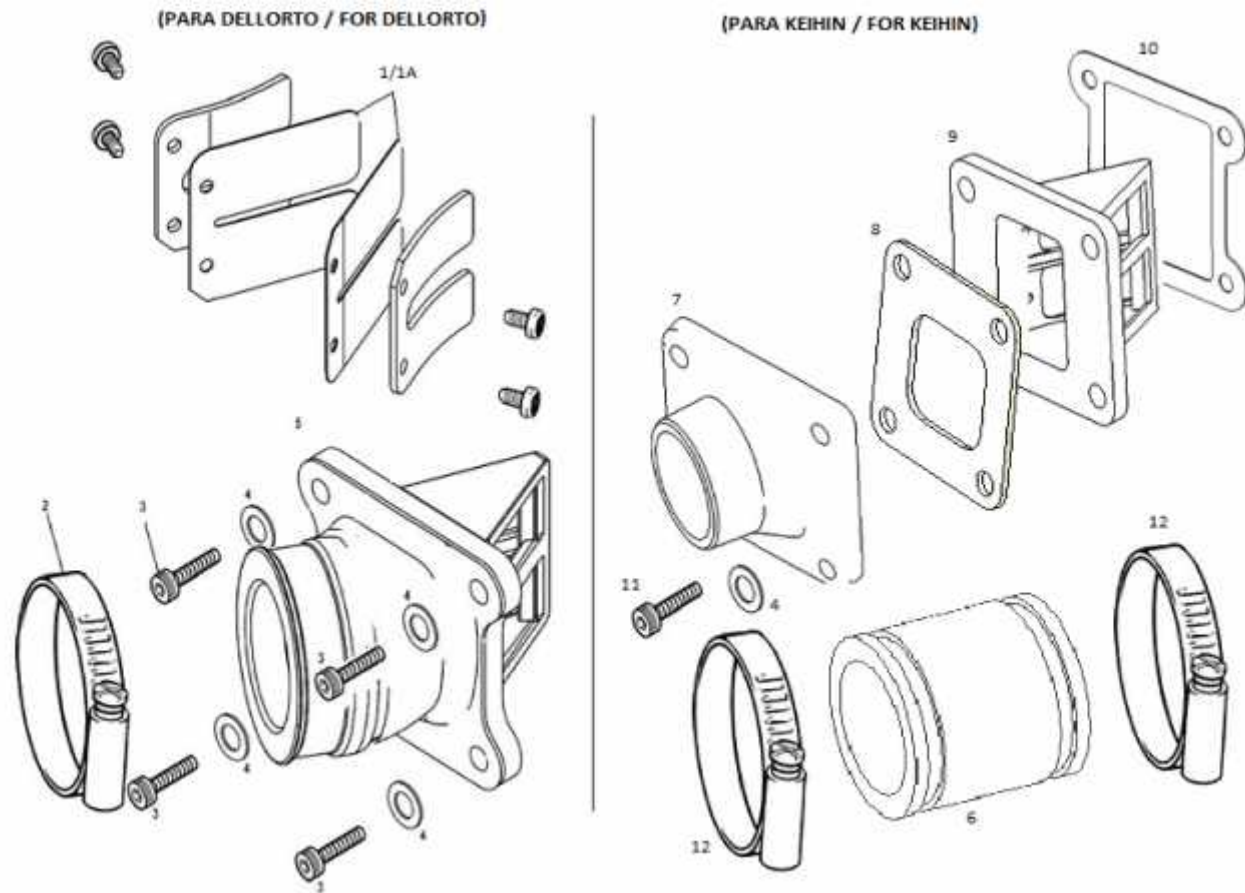
Motor 9

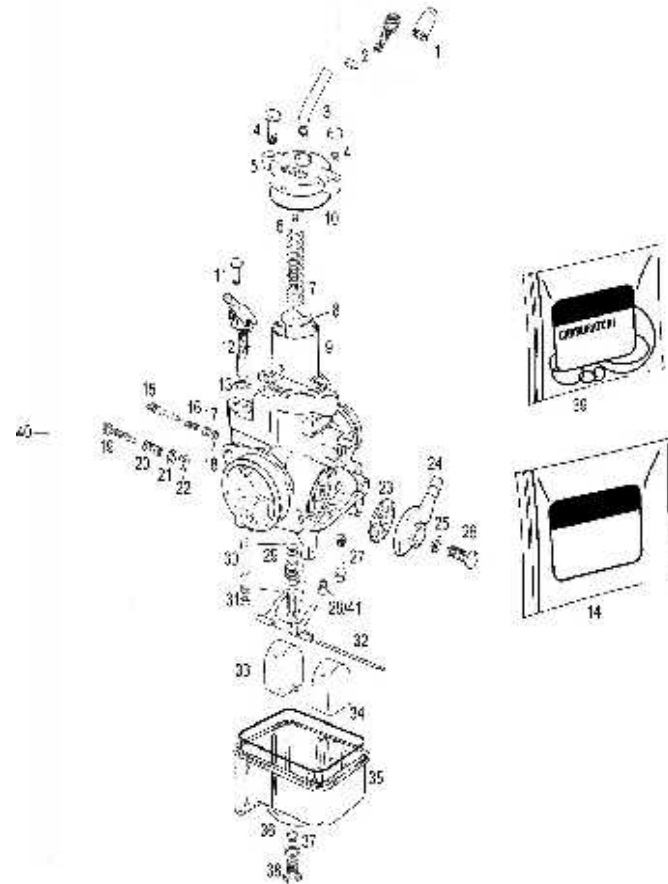


Nº	DESCRIPCION / DESCRIPTION	125 / 280 / 300	Cant.
1	CIRCLIP E15 DIN471 / E15 CIRCLIP	MT280236163	2
2	ARANDELA 15,2X23X0,5 / 15,2X23X0,5 WASHER	T4001523	4
3	PIÑÓN 2 / PINION 2	MT280236071	1
4	DOLLA / BUSHING	MT280236164	2
5	ARANDELA 17X23X0,5 / 17X23X0,5 WASHER	T4001723	1
6	DESPLAZABLE PRIMARIO / PRIMARY SELECTOR DISC	MT280236073	1
7	CIRCLIP E20 DIN 471 REBAJADO / E20 CIRCLIP	MT280236165	1
8	ARANDELA 20X25X0,5 / 20X25X0,5 WASHER	T4002025	1
9	PIÑÓN 3 / PINION 3	MT280236072	1
10	JAULA AGUJAS / NEEDLE BEARING	MT280236162	2
11	EJE PRIMARIO / PRIMARY SHAFT	MT280236070	1
12	DESPLAZABLE 2 SECUNDARIO / SECONDARY SELECTOR DISC	MT280236080	1
13	ARANDELA 22X27X0,5 / 22X27X0,5 WASHER	T4002227	2
14	JAULA AGUJAS / NEEDLE BEARING	MT280236161	2
15	PIÑÓN 5 / PINION 5	MT280236078	1
16	CIRCLIP E22 DIN471 / E22 CIRCLIP	MT280236166	1
17	DESPLAZABLE 3 SECUNDARIO / SECONDARY SELECTOR DISC	MT280236079	1
18	PIÑÓN 3 SECUNDARIO / SECONDARY 3 GEAR	MT280236076	1
19	ARANDELA / WASHER	M02622001	2
20	JAULA AGUJAS / NEEDLE BEARING	MT280226015	1
21	PIÑÓN INTERMEDIO Y TOPE ARRANQUE / KIT GEAR AND STOP KICK START PEDAL	MT880002810	1
22	CIRCLIP E25 / E25 CIRCLIP	MT280212023	1
23	PIÑÓN CADENA SALIDA / SPROCKET, COUNTERSHAFT z.11	MT280236525	1
23B	PIÑÓN CADENA SALIDA / SPROCKET, COUNTERSHAFT z.09	MT120236526	1
23C	PIÑÓN CADENA SALIDA / SPROCKET, COUNTERSHAFT z.10	MT200236525	1
24	CASQUILLO RETÉN SALIDA CAMBIO / SHIFT SEAL BUSHING	MT280236046	1
25	TÓRICA 25X2 NBR / NBR 25X2 O'RING	ME25632025	1
26	EJE SECUNDARIO / SECONDARY SHAFT	MT280236075	1
27	PIÑÓN 2 SECUNDARIO / SECONDARY 2 GEAR	MT280236077	1
28	CIRCLIP SW25 / SW25 CIRCLIP	MT280236167	1
29	TÓRICA 25X1,5 NBR / 25X1,5 O'RING	MT280212025	1
30	CTO. CAMBIO TRIAL / TRANSMISSION COMPLETE	MT280236010	1
31	CLIP DE 15MM PIÑÓN INT. ARRANQUE / 15MM. CIRCLIP	M02633000	1

GASGAS

Motor 10





Nº	DESCRIPCION / DESCRIPTION	125	280 / 300	Cant.
1	CAPUCHÓN TENSOR CABLE GAS / ADJ. TENSION THROTTLE CABLE		M09001055	1
2	CTO. TENSOR CABLE / CABLE TENSION SET SCREW		M09001230	1
3	TENSOR CABLE GAS / CABLE TENSION TUBE		M09001032	1
4	TORNILLO TAPA CARBURADOR / SCREW COVER CARBURETOR		M09001025	2
5	TAPA CARBURADOR / COVER CARBURETOR		M09001156	1
6	AGUJA D36 3º PUNTO / NEEDLE D36		M09003136	1
7	MUELLE COMPUERTA / SPRING SLIDE		M09001015	1
8	PLANCHA SUJECIÓN CABLE GAS / CABLE RETAINER PLATE		M09001010	1
9	COMPUERTA / VALVE SLIDE	M09002050	M09002060	1
10	TÓRICA TAPA CARBURADOR / O		M09001050	1
11	TORNILLO SUJ. STARTER / CHOKE SCREW		M09001110	1
12	MANDO STARTER / CHOKE LEVER ASSY.		M09001105	1
13	TÓRICAS STARTER / CHOKE O'RING		M09001065	1
14	KIT CARBURACIÓN / CARBURETOR KIT	MT25000071211	MT25000133011	1
15	TORNILLO REG. ENTRADA AIRE / REG. ENTRANCE SCREW		M09001115	1
16	MUELLE TORNILLO REG. AIRE / SPRING SCREW REG. AIR		M09001120	1
17	ARANDELA TORN. REG. AIRE / WASHER SCREW BOLT REG. AIR		M09001125	1
18	TÓRICA TORNILLO REG. AIRE / O'RING SCREW BOLT REG. AIR		M09001075	1
19	TORNILLO REG. COMPUERTA / SCREW BOLT REG. SLIDE		M09001035	1
20	MUELLE TORNILLO REG. COMPUERTA / SPRING SCREW SLIDE		M09001040	1
21	ARANDELA TORNILLO REG. COMP. / WASHER SCREW REG. SLIDE		M09001045	1
22	TÓRICA TORNILLO REG. COMP. / O'RING SCREW REG. SLIDE VALVE		M09001060	1
23	JUNTA PIPETA GASOLINA / FUEL FILTER DISC		M09001095	1
24	PIPETA ENTRADA GASOLINA / FUEL ENTRY TUBE		M09001135	1
25	JUNTA TORNILLO PIPETA / GASKET SCREW BOLT		M09001100	1
26	TORNILLO PIPETA / BOLT		M09001140	1
27	EMULSOR / NEEDLE JET		M09005271	1
28	CHICLE RALENTÍ 30 / JET SLOW 30		M09004035	1
29	VÁLVULA FLOTADOR / FLOAT VALVE		M09001200	1
30	CHICLE STARTER 60 / JET CHOKE 60		M09007060	1
31	TÓRICA CHICLE STARTER / O'RING JET CHOKE		M09001070	1
32	EJE FLOTADOR / FLOAT SHAFT		M09001145	1
33	FLOTADOR 2X2 / FLOAT 2X2		M09008036	2

GASGAS

Motor 12

