



**GAS GAS**

**2013**



**TX-RANDONNE**

**125 DESPIECE MOTOR**

**DESPIECE / / PART LIST**

A stylized logo consisting of two white, bold, italicized 'G' characters. The top 'G' is positioned above the bottom 'G', and they are connected at their base. The 'G's are set against a black background.A series of three curved lines, one red and two white, that sweep from the left side of the image towards the right. They are positioned behind the central text.

*TECHNOLOGY  
&  
MOTION*

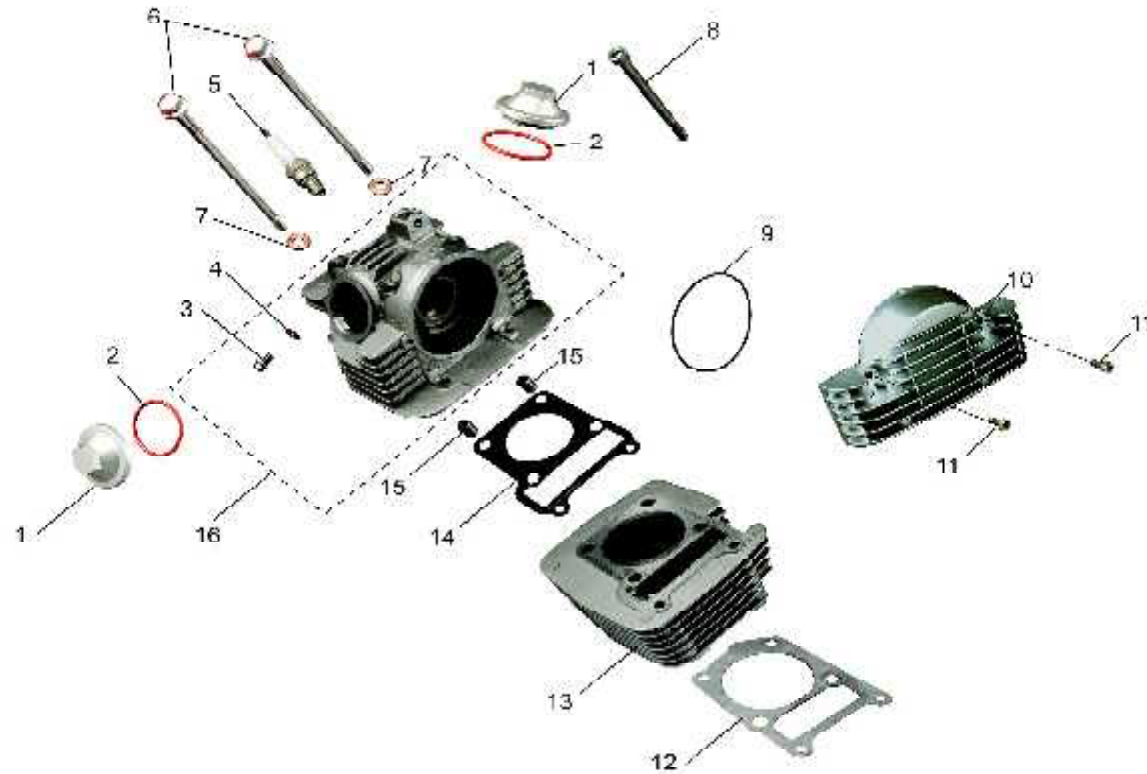
***GAS GAS***

DICIEMBRE / DECEMBER / DEZEMBER / DÉCEMBRE / DICEMBRE 2012

CILINDRO Y CULATA  
CYLINDER & CYLINDER HEAD

**GAS GAS**

**TX RANDONNE 2013**

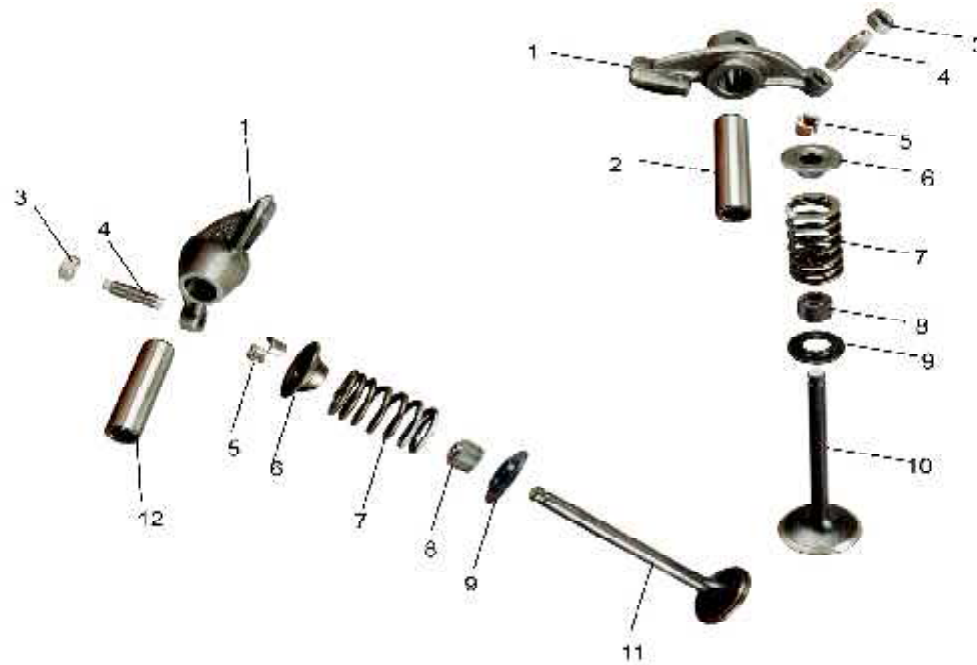


**1**

Nº	DESCRIPCION / DESCRIPTION	125	Cant.
1	VALVE COVER	F28-100202-0	2
2	O-RING	ZA1-100602-0	2
3	BOLT	BQ/JRYP80-M6x10	1
4	WASHER	ZA1-100405-0	2
5	SPARK PLUG (NGK - CR8HSA)	A6RTC	1
6	BOLT	F28-100851-0	4
7	WASHER	ZA1-100404-0	4
8	SCREW	BGB/T70.1-M6x90	2
9	O-RING	F28-100601-0	1
10	SPROCKET ROOM SIDE COVER	F28-100201-A	1
11	BOLT	BQ/JRYP80-M6x20	2
12	CYLINDER GASKET	F28-200801-0	1
13	COMBINATION CYLINDER	F28-201000-0	1
14	CYLINDER HEAD GASKET	F28-100401-0	1
15	PIN	BQ/JRYP96-10x14	2
16	CYLINDER HEAD ASSY	F28-111000-0-W1	1

**GAS GAS**

**Motor 1**



Nº	DESCRIPCION / DESCRIPTION	125	Cant.
1	VALVE ROCKER	F28-110305-0	2
2	ROCKER SHAFT 2	F28-110002-0	1
3	LOCKING NUT	ZA1-110850-0	2
4	ADJUSTMENT SCREW	ZA1-110851-0	2
5	AIR LOCK FOLDER	F13-110302-0	4
6	VALVE SPRING CAP	F13-110301-0	2
7	VALVE SPRING	F13-110701-0	2
8	VALVE ROD SEALS	F13-112000-0	2
9	VALVE SPRING SEAT	F13-110401-0	2
10	INTAKE VALVE	F13-110304-0	1
11	EXHAUST VALVE	F13-110303-0	1
12	ROCKER SAHFT 1	F28-110001-0	1

**GAS GAS Motor 2**



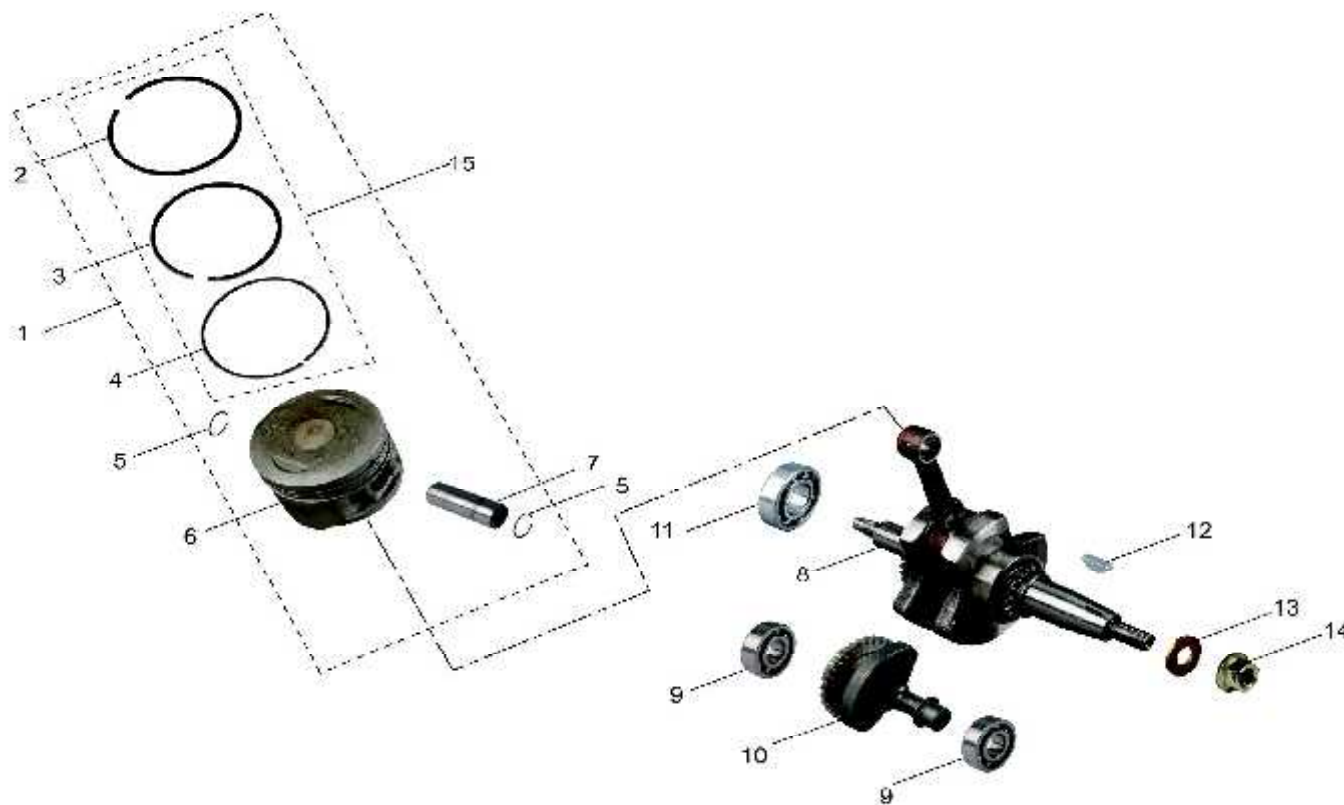
Nº	DESCRIPCION / DESCRIPTION	125	Cant.
1	UNDER THE GUIDE PLATE ASSY	F28-140000-0	1
2	CAMSHAFT COMBINATION	F13-113000-0	1
3	BUSH	F28-100002-0	1
4	TIMING SPROCKET	F28-100001-0	1
5	TIMING CHAINS	F28-130000-0	1
6	WASHER	ZA1-100402-0	1
7	SCREW	ZA1-100850-0	1
8	SCREW	BGB/T70.1M61252	1
9	PLATE	F28-110401-0	1
10	WASHER	ZA1-100405-0	2
11	BOLT	BGB/T70.1M61656	2
12	CHAIN TENSION	ZA1-120000-0	1
13	TENSIONER GASKET	ZA1-100801-0	1
14	THE GUIDE PLATE ASSY	F28-150000-0	1
15	HEXAGON BOLT	BGB/T5783M62032	1



CIGÜEÑAL / PISTÓN  
CRANKSHAFT CONNECTING-ROD / PISTON

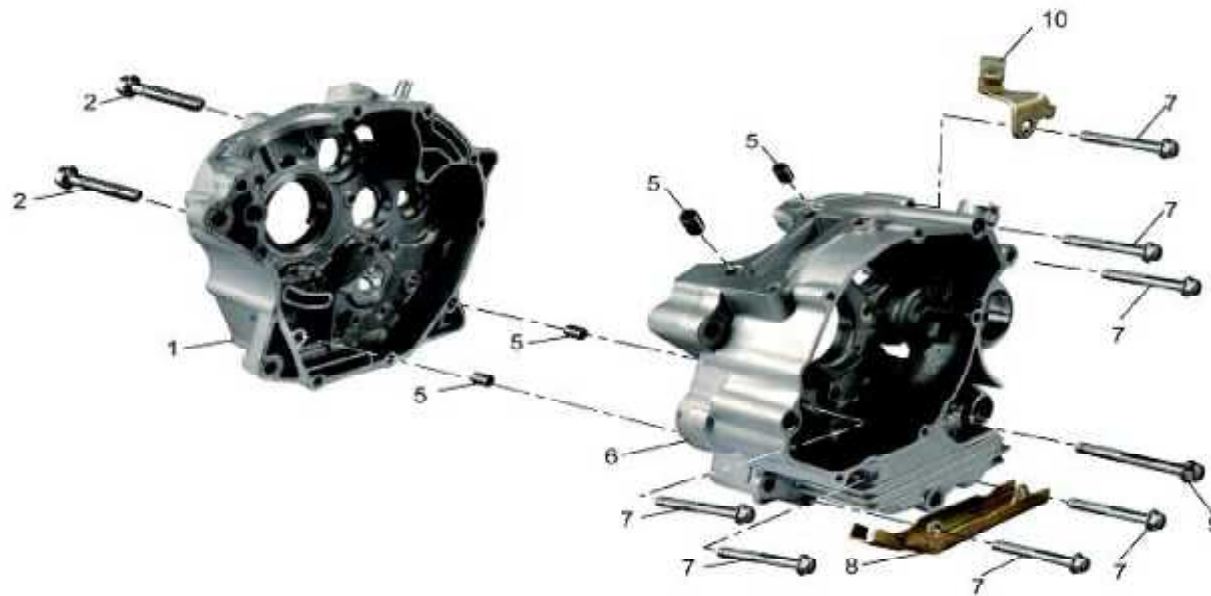
**GAS GAS**

**TX RANDONNE 2013**



Nº	DESCRIPCION / DESCRIPTION	125 / 280 / 300	Cant.
1	PISTON ASSY	F13-220000-0	1
2	PISTON 1	F13-220201-0	1
3	PISTON 2	F13-220202-0	1
4	OIL RING	F13-221000-0	1
5	RING	FB-200701-0	2
6	PISTON	F13-220203-0	1
7	PISTON	F13-200001-0	1
8	CRANKSAHFT ASSY	F28-210000-0	1
9	ROLLING	ZA1-201000-0	2
10	BALANCE SHAFT ASSY	F28-230000-0	1
11	ROLLING	BGBT2766205CS18	1
12	WOODRUFF KEY	BGB/T1099.1-3x5x13	1
13	WASHER	ZA1-400401-0	1
14	NUT	BQ/JRYP4-12-E2	1
15	PISTON ASSY	F13-220202-0L01	1

**GAS GAS Motor 4**



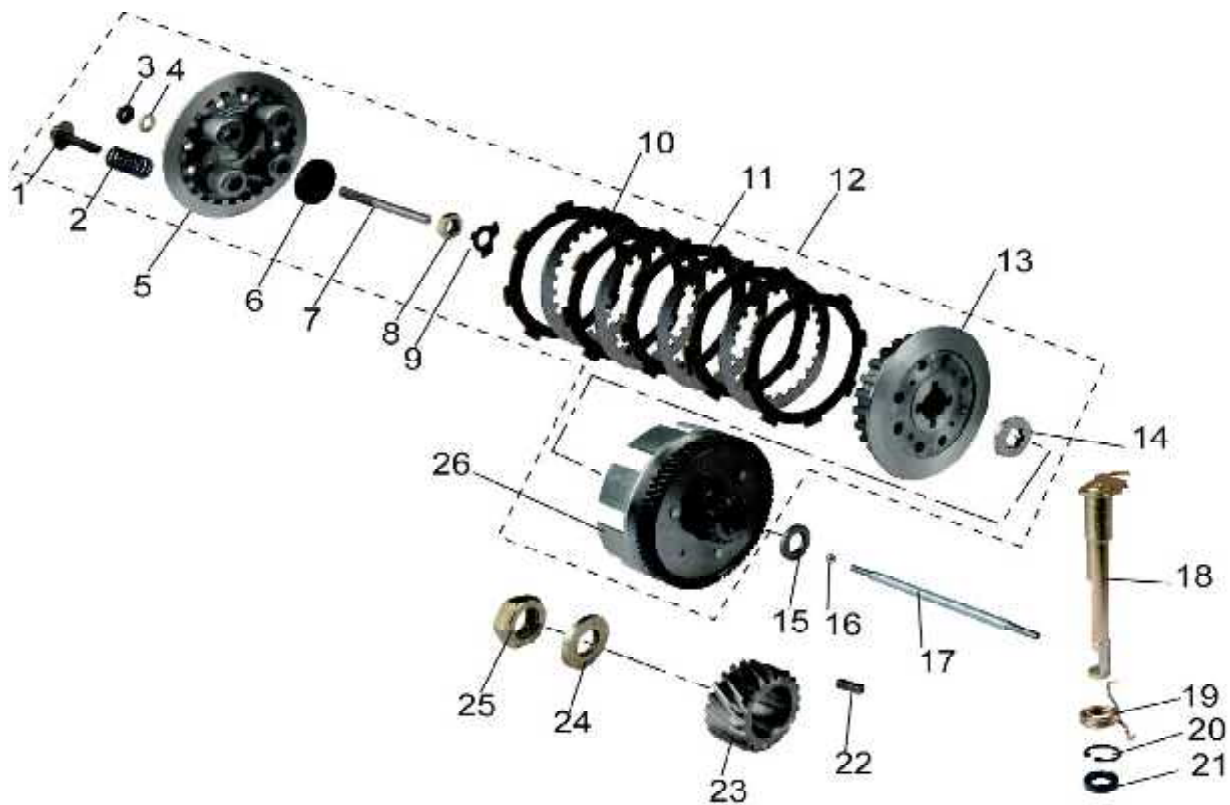
Nº	DESCRIPCION / DESCRIPTION	125	Cant.
1	RIGHT CRANKCASE ASSY	F28-320000-0	1
2	BOLT	BQ/JRYP80M63026	2
5	PIN	BQ/JRYP96101400	4
6	LEFT CRANKCASE ASSY	F28-310000-0	1
7	BOLT	BQ/JRYP80M64526	7
8	WIRE BOARD	F28-300401-0	1
9	BOLT	BQ/JRYP80M65526	1
10	REINFORCEMENT BRACKET	F28-400401-0	1

**GAS GAS Motor 5**



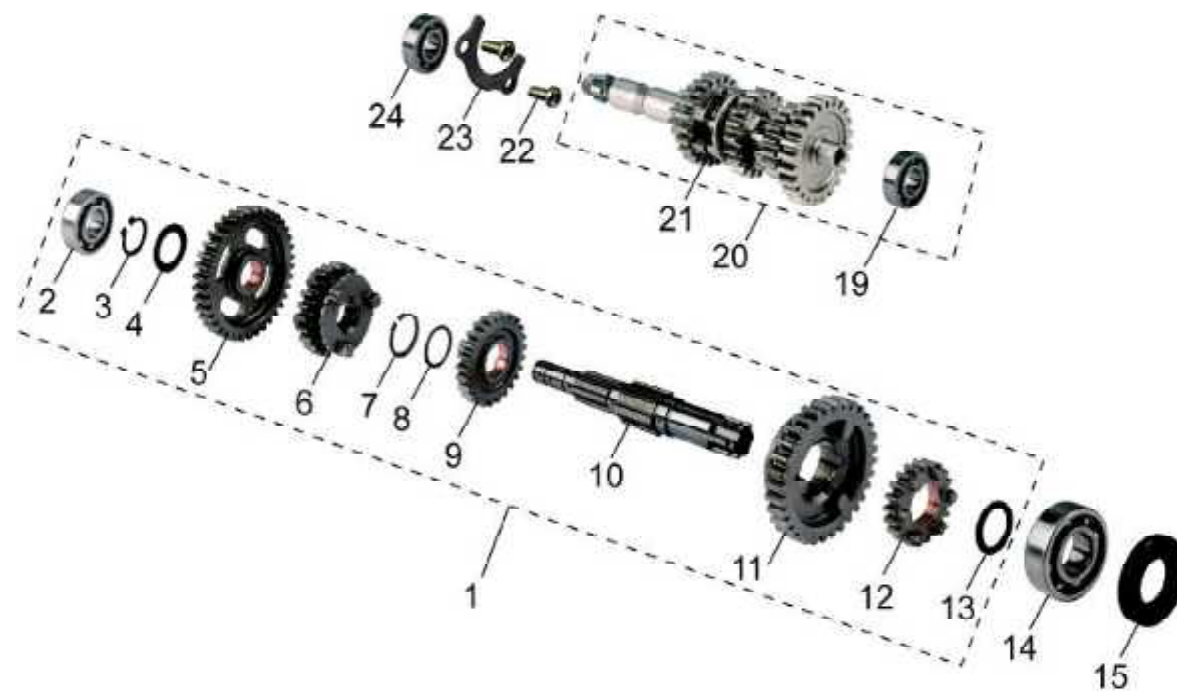
Nº	DESCRIPCION / DESCRIPTION	125	Cant.
1	LEFT CRANKCASE COVER	F28300201BW1005	1
2	PIN	BQ/JRYP96101400	2
3	LEFT COVER GASKET	F28-300801-0	1
4	VOLTAGE CLAMP	F28-300701-0	1
5	BOLT	BQ/JRYP80M61021	1
6	BOLT	BQ/JRYP80M65026	6
7	BOLT	BQ/JRYP80M63526	8
8	O-RING	ZA1-300605-0	1
9	ADJUSTING MANHOLE COVERS	F28-300204-0	1
10	OBSERVATION HOLE COVER	F28-300202-0	1
11	O-RING	ZA1-300604-0	1
12	O-RING	ZA1-300601-0	1
13	OIL FEET	F28-301000-0	1
14	RIGHT COVER GASKET	F28-300802-0	1
15	PIN	BQ/JRYP96101400	2
16	OIL SEAL	ZA1-303000-0	1
17	RIGHT CRANKCASE COVER ASSY	F283400000W1005	1
18	BOLT	BQ/JRYP80M64526	2

**GAS GAS Motor 6**



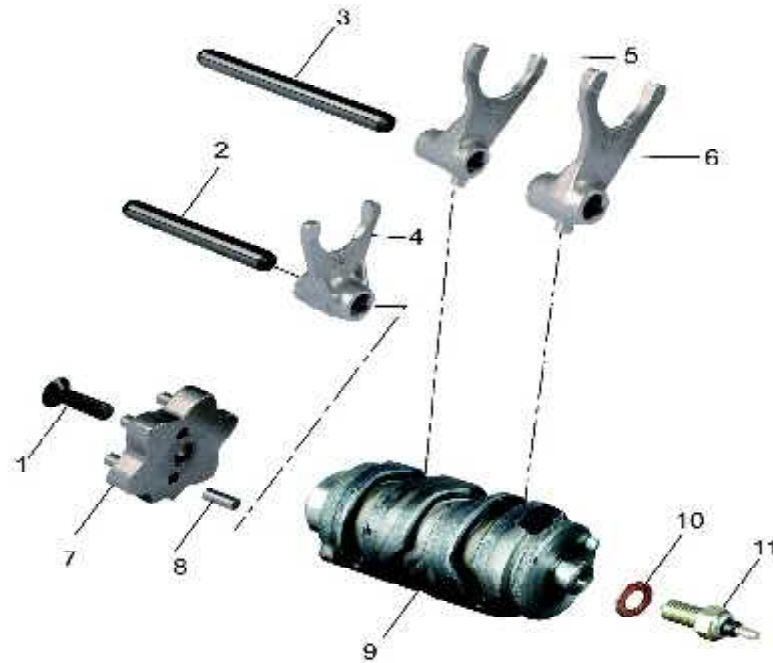
Nº	DESCRIPCION / DESCRIPTION	125	Cant.
1	WITH PAD BOLT	F28-425000-0	4
2	CLUTCH SPRING	F28-420701-0	4
3	HEXAGON NUTS	BGB/T6170-M6-32	1
4	WASHER	BGB/T97.1-6-31	1
5	PLATEN	F28-420201-0	1
6	THRUST PLATE	F28-420851-0	1
7	PUTTERS	F28-420852-0	1
8	NUT	F28-400851-0	1
9	LOCK WASHERS	F28-400402-0	1
10	CLUTCH	F28-420402-0	4
11	FRICITION	F28-426000-0	5
12	CLUTCH	F28-420000-0	1
13	CLUTCH WHEEL COMBINATION	F28-424000-0	1
14	SPLINE WASHER	F28-420401-0	1
15	THRUST WASHERS	F28-400001-0	1
16	BALL	BGBT3084762G10b	1
17	PUSH ROD COMBINATION	F28-401000-0	1
18	CONTROL SHAFT ASSY	F28-430000-0	1
19	TORSION SPRING	F28-400701-0	1
20	HOLE SNAP RING	BGB/T893.1-20B8	1
21	OIL SEAL	F28-402000-0	1
22	FLAT KEY	F28-400002-0	1
23	MAIN DRIVE GEAR	F28-400301-0	1
24	WASHER	ZA1-400401-0	1
25	NUT	ZA1-400850-0	1
26	CLUTCH GEAR ASSY	F28-421000-0	1





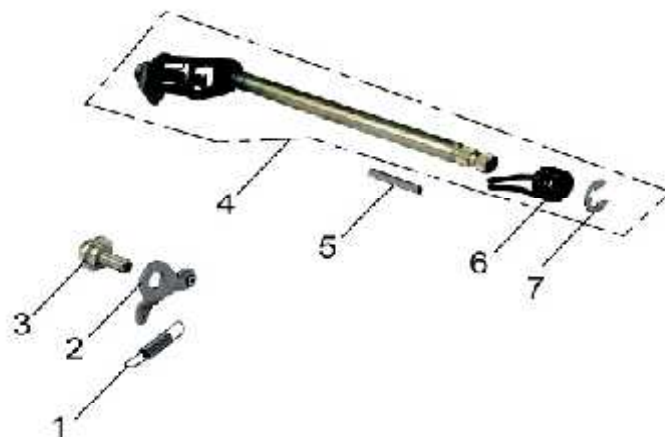
Nº	DESCRIPCION / DESCRIPTION	125	Cant.
1	DRIVE SHAFT ASSY	F28-520000-0	1
2	ROLLING	BGB/T276-6202RS	1
3	CIRCLIP	ZA1-520402-0	1
4	WASHER	F28-520401-0	1
5	A GEAR DRIVEN GEAR	F28-520301-0	1
6	SIDANG DRIVEN GEAR	F28-520304-0	1
7	RING	ZA1-500402-0	1
8	WASHER	ZA1-510401-0	1
9	THIRD GEAR DRIVEN GEAR	F28-520303-0	1
10	DRIVE SHAFT COMBINATION	F28-521000-0	1
11	SECOND GEAR DRIVEN GEAR	F28-520302-0	1
12	5 GEAR DRIVEN GEAR	F28-520305-0	1
13	WASHER	ZA1-520401-0	1
14	ROLLING	BGB/T276-6204	1
15	OIL SEAL	CY80-01-77	1
19	ROLLING	BGB/T276-6201RS	1
20	SPINDLE ASSY	F28-510000-0	1
21	SPINDLE	F28-510301-0	1
22	SCREW	BGB/T823M6x1202	2
23	BEARING SHIELD	F28-500403-0	1
24	ROLLING	BGB/T276-6203	1

**GAS GAS Motor 8**



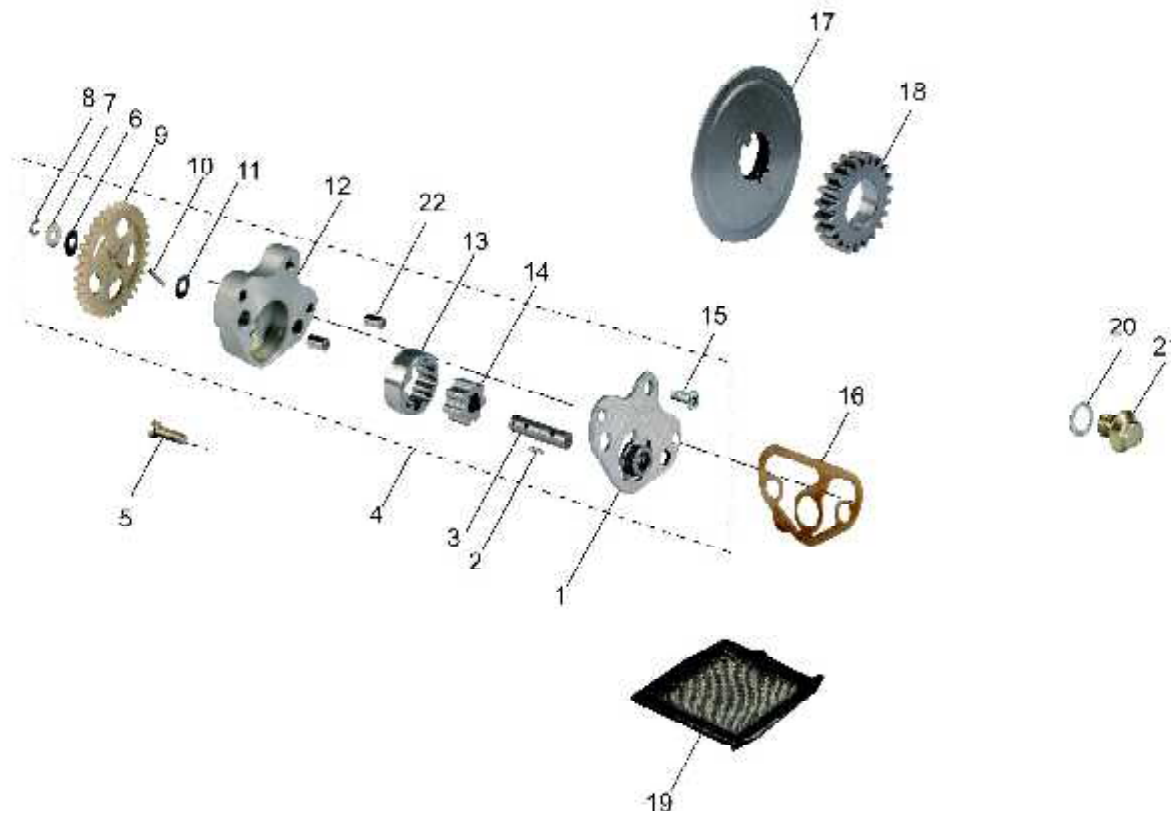
Nº	DESCRIPCION / DESCRIPTION	125	Cant.
1	SCREW	BGB/T70.3M62058	1
2	SHORT GEAR SHAFT	F28-500002-0	1
3	LONG GEAR SHAFT	F28-500001-0	1
4	FORK 2	F28-500302-0	1
5	FORK 3	F28-500303-0	1
6	FORK 1	F28-500301-0	1
7	STAR FERRY	F28-500751-0	1
8	DRIVE SALES	FG-100001-0	1
9	SHIFTING CAMSHAFT ASSY	F28-540000-0	1
10	WASHER	FG-500404-0	1
11	NEUTRAL GEAR SWITCH	FG-508000-0	1

**GAS GAS Motor 9**



Nº	DESCRIPCION / DESCRIPTION	125	Cant.
1	LIMIT SPRING	F28-500702-0	1
2	LIMIT LEVER ASSEMBLY	F28-560000-0	1
3	BOLT	F3-500851-0	1
4	SHIFT SHAFT ASSEMBLY	F28-530000-0	1
5	TORSION SPRING PIN	F28-500003-0	1
6	TORSION SPRING	F28-530701-0	1
7	E-SHAPPED OPENING RING	BQ/JRYP98-10-B1	1

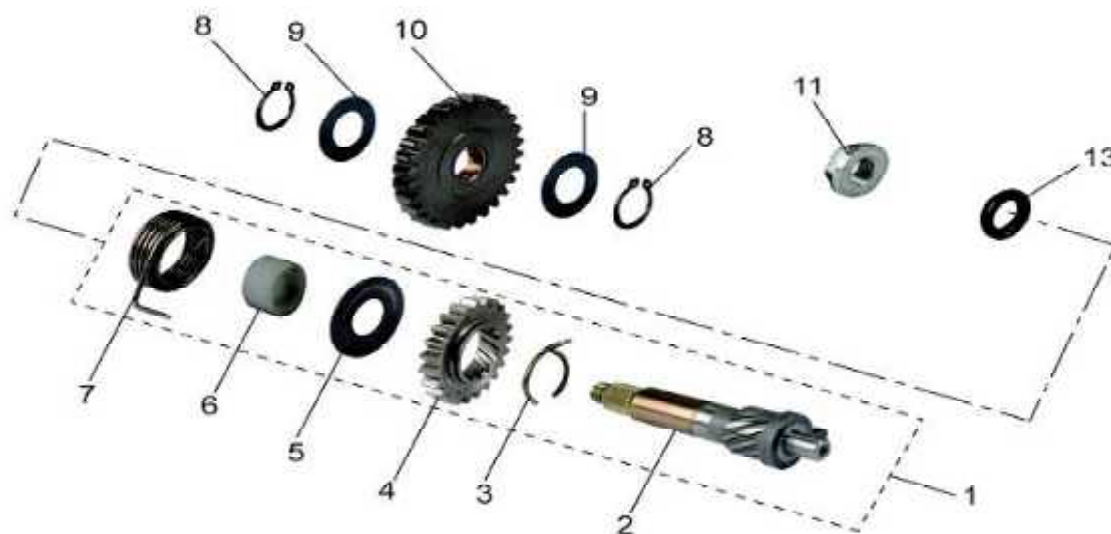
**GAS GAS Motor 10**



Nº	DESCRIPCION / DESCRIPTION	125	Cant.
1	PUMP SEAL COMBINATION	F28-611000-0	1
2	DRIVE PIN 1	F28-610003-0	1
3	AXIS	F28-610001-0	1
4	OIL PUMP	F28-610000-0	1
5	SCREW	ZA1-600850-0	2
6	CONICAL SPRING WASHER	ZA1-610402-0	1
7	WASHER	F28-610401-0	1
8	E-SHAPED OPENING RING	BQ/JRYP98-5-08	1
9	OIL PUMP GEAR	F28-610601-0	1
10	DRIVE PIN 2	F28-610004-0	1
11	FLAT WASHER	ZA1-610401-0	1
12	PUMP BODY	F28-610201-0	1
13	OUTER ROTOR	F28-612752-0	1
14	INNER ROTOR	F28-612751-0	1
15	SCREW	BQ/JRYP81M51002	1
16	OIL PUMP GASKET	ZA1-600801-0	1
17	OIL FINE FILTER	F28-630000-0	1
18	OIL PUMP DRIVE GEAR	F28-600751-0	2
19	CRUDE OIL FILTER	ZA1-620000-0	1
20	GASKET	ZA1-600401-0	1
21	OIL DRAIN BOLT	ZA1-600851-0	1
22	PIN	F28-610002-0	2

**GAS GAS Motor 11**





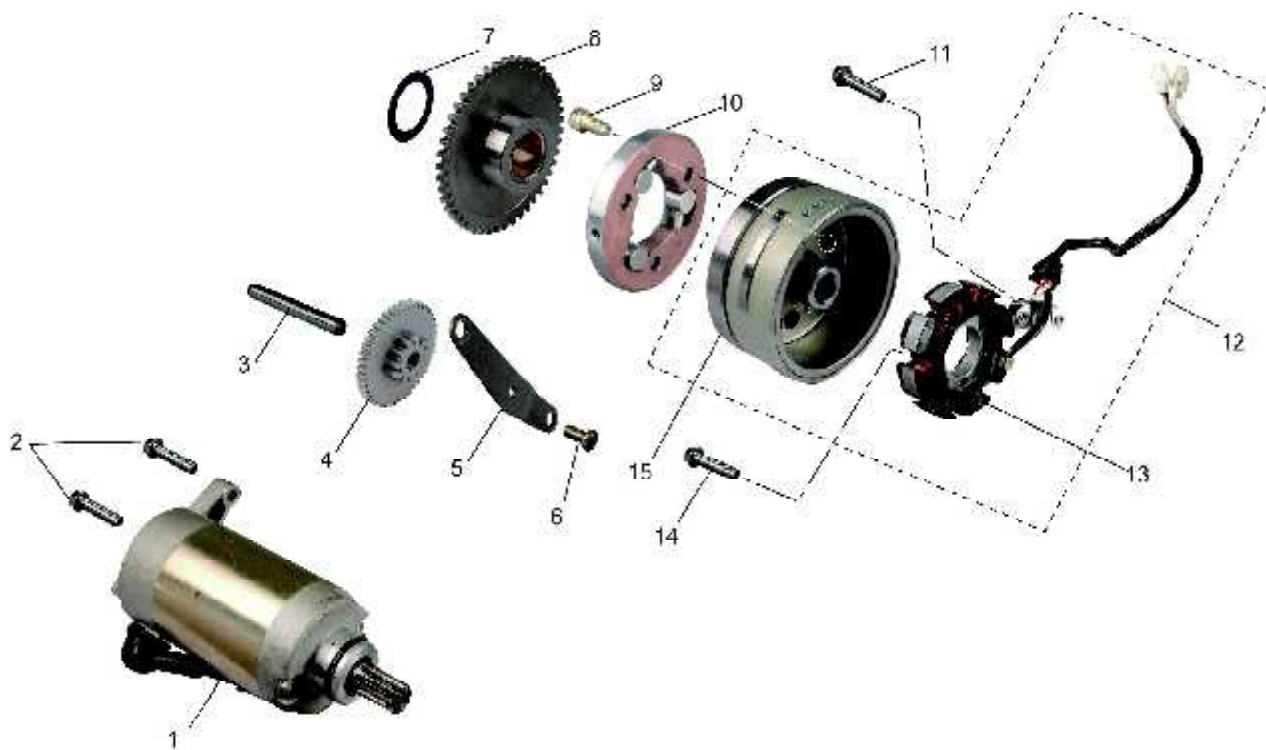
Nº	DESCRIPCION / DESCRIPTION	125	Cant.
1	RECOIL STARTER	F28-810000-0	1
2	KICK START SHAFT COMBINATION	F28-811000-0	1
3	WIRE CLIP	F28-810702-0	1
4	RECOIL STARTER GEAR	F28-810301-0	1
5	FLAT WASHER	F28-810401-0	1
6	SLEEVE	F28-810501-0	1
7	TORSION SPRING	F28-810701-0	1
8	CIRCLIP	ZA1-520402-0	2
9	WASHER	F28-800401-0	2
10	RECOIL START OFF ROUND OF THE COMBINATION	F28-802000-0	1
11	NUT	ZA1-400850-0\C6	1
13	OIL SEAL	F28-801000-0	1

**GAS GAS Motor 12**

MOTOR DE ARRANQUE / ENCENDIDO  
ELECTRIC STARTING MECHANISM /

**GAS GAS**

**TX RANDONNE 2013**



Nº	DESCRIPCION / DESCRIPTION	125	Cant.
1	STARTING MOTOR	F28-D60000-0	1
2	BOLT	BQ/JRYP80M62526	2
3	THROUGH AXLE	F28-800001-0	1
4	DOUBLE ROUND OVER	F28-800751-0	1
5	THROUGH ROUND PLATE	F28-800402-0	1
6	SCREW	BGB/T823-M61202	2
7	WASHER	FG-800402-0	1
8	ELECTRIC START LARGE GEAR ASSY	F28-840000-0	1
9	SCREW	BGB/T70.1M81652	3
10	ELECTRIC STARTER CLUTCH	FG-830000-0	1
11	SCREW	BGB/T70.1M61452	2
12	MAGNETO	F28-D52000-0	1
13	MAGNETIC MOTOR	F28-D51000-0	1
14	SCREW	BGB/T70.1M62552	3
15	MAGNETO ROTOR	F28-D52000-0	1

**GAS GAS Motor 13**



***GASGAS***  
**2013**

**TX-RANDONNE**  
**125**

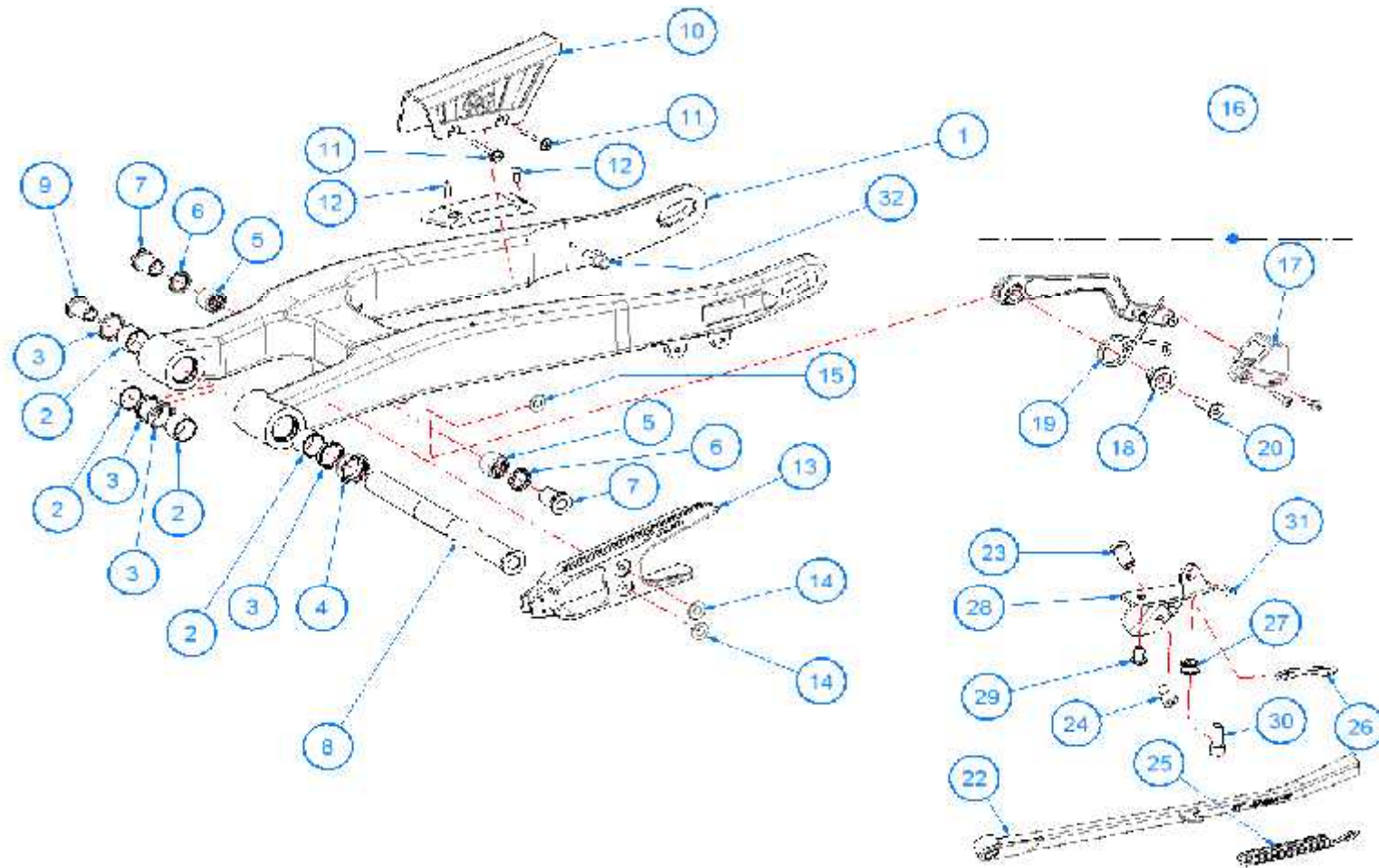
**DESPIECE / / PART LIST**



*TECHNOLOGY  
&  
MOTION*

***GASGAS***

OCTUBRE / OCTOBER / OCTOBRE / OTTOBRE / OKTOBER 2012

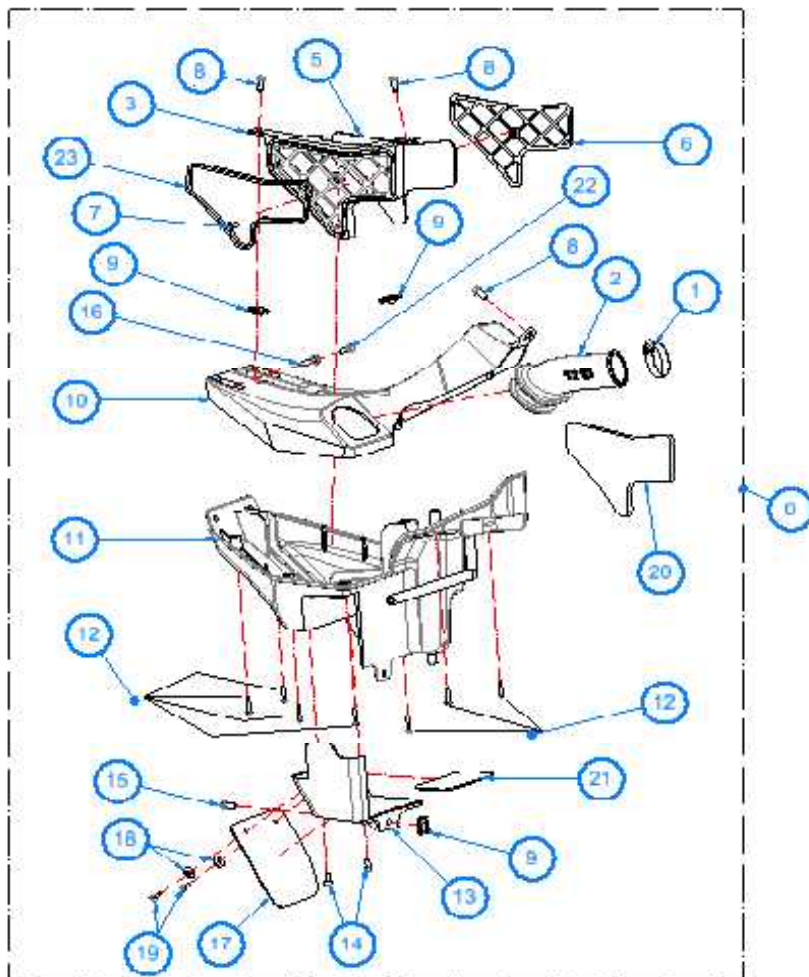


Nº	DESCRIPCION / DESCRIPTION	125	Cant.
1	BASCULANTE NEGRO TRIAL RAGA 2009	BT40000R3009	1
2	GLACIER PG20x23x15 F BASCULANTE	BT280212032	4
3	RETEN 20-26-4 870 N BASC.	C220001	4
4	CASQUILLO GUIA EJE BASCULANTE TRIAL 2002	BT280212108	1
5	COJINETE AGUJAS 15BM2116	BT27714009	2
6	RETEN 15-21-3-8170N BASC.BAL.	C230000	2
7	CASQ.BALANCIN 99	BT27914014	2
8	EJE BASCULANTE ANODIZADO TRIAL 2004	BT44500R3009	1
9	TORNILLO EJE BASCULANTE TRIAL 280-2002	BT280212009	1
10	PROTECTOR CADENA TRIAL PRO 2004	BT280428011	1
11	TORNILLO ROSCA CHAPA CON ARANDELA 4.8x38 NEGRO	T0614838	2
12	ULS 5X12 FARO,BOM.AG.	T0505012	2
13	PATIN CADENA TRIAL PRO 2004	BT280412015	1
14	REMACHE ALUMINIO 5x20 C/ANCHA	T4505020	2
15	ARANDELA DE 8X16X1,5	T4008016	1
16	CTO. TENSOR CADENA TRIAL RAGA 2009	BT42000RCT3009	1
17	GOMA TENSOR CADENA	BT42010RA3010	1
18	CASQUILLO TENSOR CADENA	B560000	1
19	MUELLE TENSOR CADENA	M122000	1
20	ALLEN CON.8X30 TENS.CAD.	T0408030	1
22	CABALLETE TRIAL PRO 2007	BT280712010	1
23	CASQUILLO GUIA CABALLETE TRIAL	BT27712011	1
24	ALLEN 8x14	T0308014	1
25	MUELLE CABALLETE TRIAL HOMOL.	BT280310039H	1
26	EXCENTRICA CABALLETE TRIAL HOMOL.	BT280312025H	1
27	DISTANCIADOR GOMA DEPOSITO ENDURO 2007	BE250714036	1
28	SOPORTE CABALLETE NEGRO TRIAL RAGA 2009	BT14210R3009	1
29	ULS 8X16	T0508016	1
30	ALLEN 8X20	T0308020	1
31	ALLEN CONICO 6X16 INOX.	T0406016I	1
32	TORNILLO GUIA PINZA FRENO TRAS. TRIAL 2002	BT280222049	1

**GASGAS**

**Chasis 1**

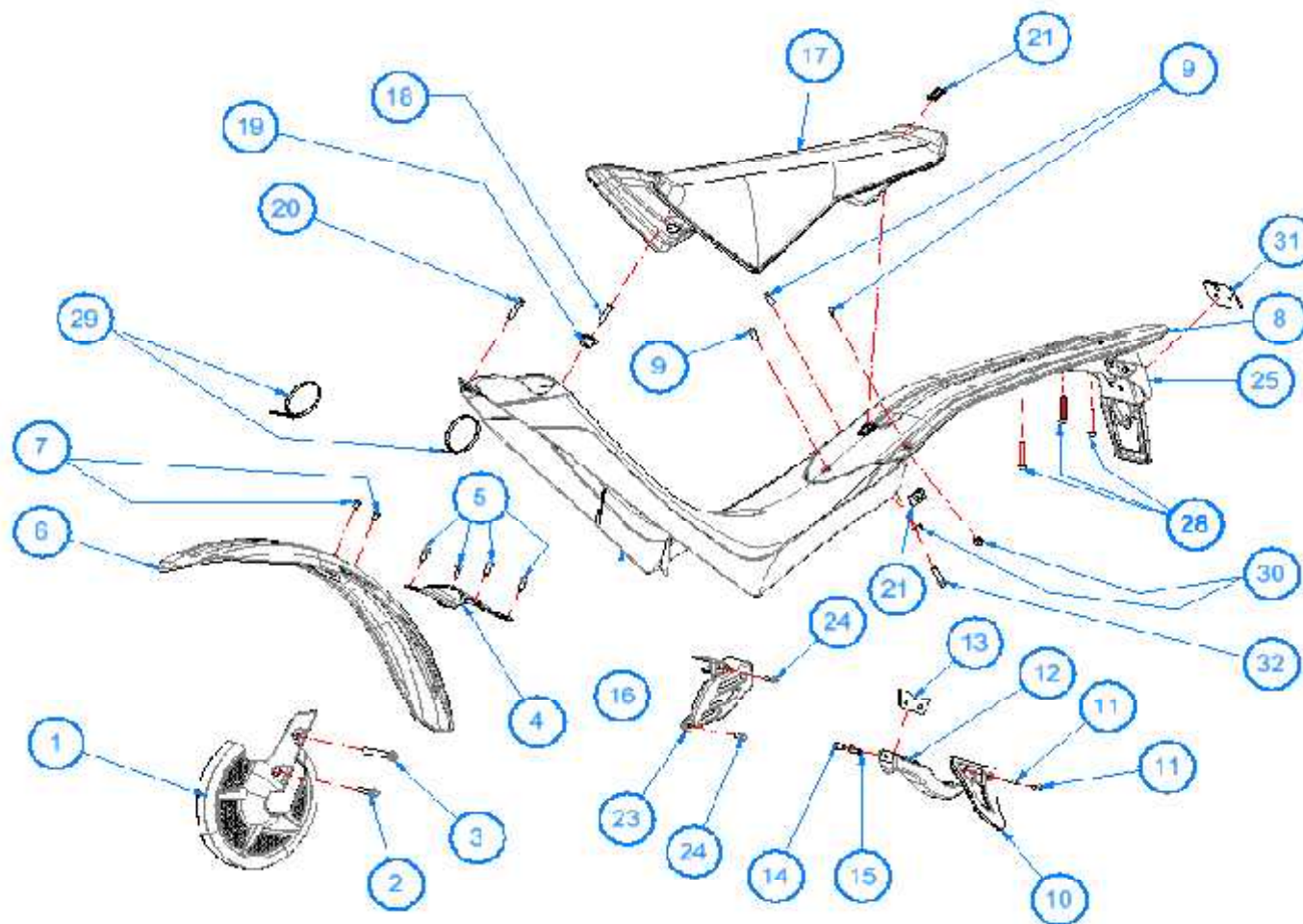




Nº	DESCRIPCION / DESCRIPTION	125	Cant.
0	CTO. CAJA DE FILTRO	BPS79000CT1211	1
1	ABRA.30-45/9 W2 CARBURADOR KEIHIN CEX (TOBERA)	B640005	1
2	TOBERA CAJA FILTRO	BPS792001211	1
3	CARCASA FILTRO AIRE	BPS795151211	1
4	TUBO SILICONA SELLADO CARCASA FILTRO	BPS795301211	1
5	ESPUMA FILTRO DE AIRE	BPS78500CT1211	1
6	REJILLA FILTRO DE AIRE	BPS795101211	1
7	ALLEN CON.6X16	T0406016	1
8	TORNILLO ESPECIAL M6x20 FIL.20 ROND. D.15 8.8 ZINC.B	T0606020	3
9	TUERCA NUT 956 RAPIDA M-6 62128278	T2606000	3
10	TAPA SUPERIOR CAJA FILTRO	BPS790501211	1
11	CTO. BASE CAJA FILTRO	BPS790401211	1
12	TORN.ROSCA PLASTICO 3.6X20 CABOTA PLANO CELO	T0803020	7
13	TAPA LATERAL CAJA FILTRO	BPS790701211	1
14	TORNILLO ROSCA PLASTICO DIAM 6x20 DELTATONE	TS36060202702	2
15	EXAGONAL 6x14 CON ARANDELA INCORP.	T0206014	1
16	TORNILLO ESPECIAL 6x20 8.8 ZINCADO	T0206020	1
17	GOMA PROTECCIÓN CAJA FILTRO - PASO DE RUEDA	BPS795401211	1
18	ARANDELA PLANA 5x15x1,5	T4005015	2
19	TORN. ESPECIAL PLAST 4.6X12 CL89Z CELO ZINTEC Gris	T0804612	2
20	PROTECCION TERMICA CAJA DE FILTRO	BPS795501211	1
21	PROTECCION 100X50X2	BT950011211	1
22	TORNILLO ESPECIAL 6X16 8.8 ZINCADO	T0206016	1
23	ESPUMA CARCASA FILTRO DE AIRE RANDONNE 2013	BRS790451213	1

**GASGAS**

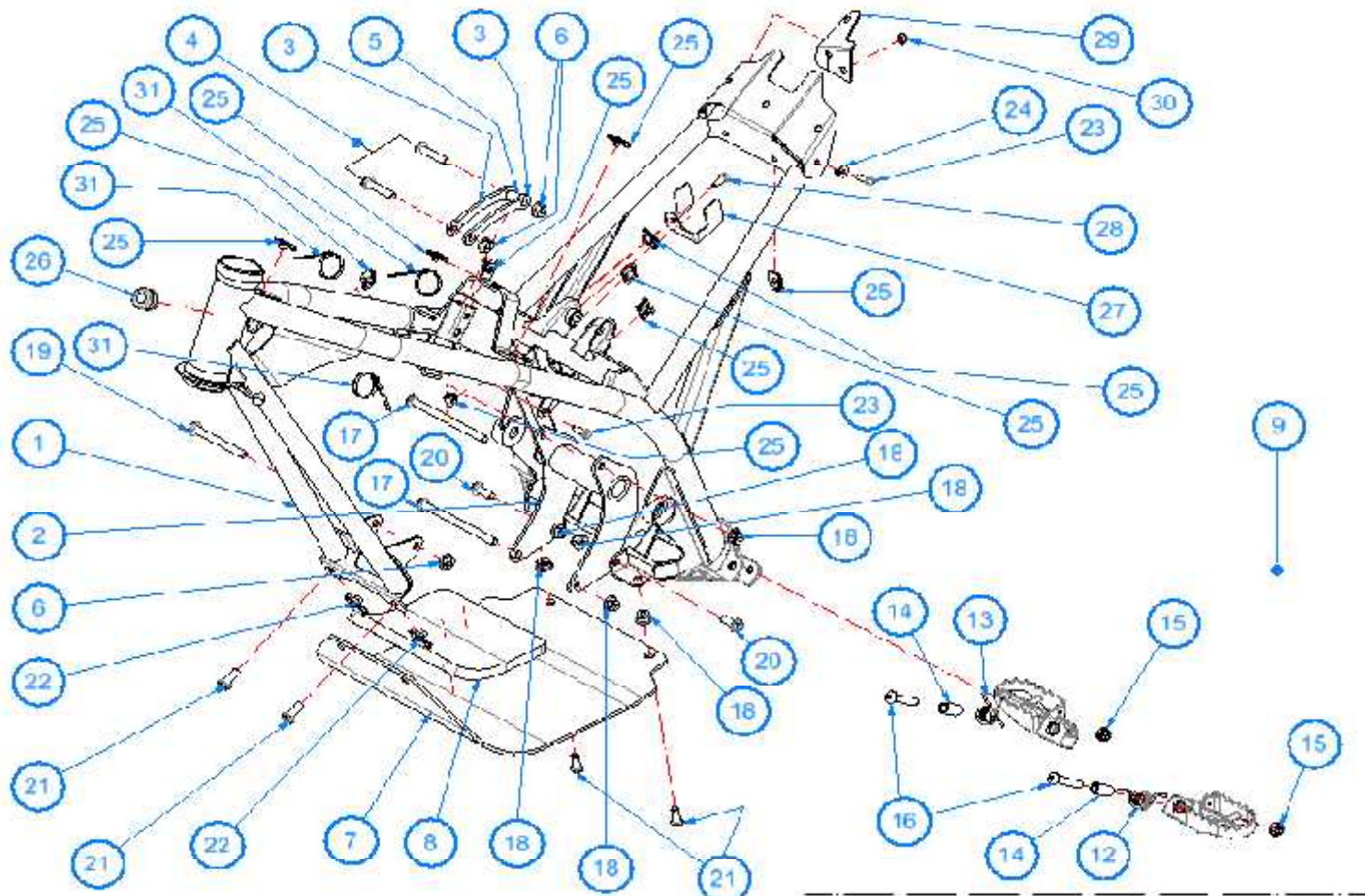
**Chasis 2**



Nº	DESCRIPCION / DESCRIPTION		125	Cant.
1	PROTECTOR DISCO DEL. NEGRO TRIAL RAGA 2009		BT94100RB3009	1
2	TORNILLO PINZA FRENO DEL.INF 8x1.25x36.5		BT280022071	1
3	TORNILLO PINZA FRENO DEL.SUP. 8x1.25x62.5		BT280022070	1
4	PUENTE SUSPENSION TRIAL COLOR TITANIO RAGA 2009		BT21500R3009	1
5	EXAGONAL 6x14 CON ARANDELA INCORP		T0206014	4
6	GUARDABARROS DEL. RAGA 2009		BT91000RB3009	1
7	ULS 5X8 PUEN.GUARD		T0505008	2
8	GUARDABARROS TRASERO	BRS935011213CT	BRS93500CT1213	1
9	ULS 6X15		T0506015	3
10	PROTECTOR CORONA TXT RAGA 2011		BT57350RA3011	1
11	ULS 5X12 FARO,BOM.AG		T0505012	2
12	PROTECTOR DISCO TRAS. NEGRO TRIAL RAGA 2009		BT57050R3009	1
13	SOPORTE PROTECTOR DISCO FRENO TRAS A PINZA		BT280222051	1
14	ULS 6X12 TOPE FREN.PRO.FIL.CEX		T0506012	1
15	ULS 6X20 ZINCADO		T0506020	1
16	CUBIERTA DEP.COMBUSTIBLE BLANCA RANDONNE 2013		BRS760301213CT	1
17	CTO. ASIENTO		BPS940001211	1
18	TORNILLO ALLEN DIN 7991 CON. 6X30		T0406030	1
19	CASQUILLO DEL FIJA ASIENTO		BPS940801211	1
20	TORNILLO DESVAPORIZADOR DEP.GASOLINA RAGA 2012		BT80000033012	1
21	TUERCA NUT 956 RAPIDA M-6 62128278		T2606000	2
22	ADHESIVO GUARDABARROS DELANTERO		BRS950051213	1
23	PROTECTOR PIÑON SALIDA PAMPERA 125 4T 2011		BPS486001211	1
24	TORNILLO ESPECIAL 6X16 8.8 ZINCADO		T0206016	2
25	PORTAMATRICULA TRIAL 2005		BT280520003	1
28	TORN.ROSCA PLASTICO 3.6X20 CABOTA PLANO CELO		T0803020	3
30	TUERCA AUTOBL. M-6 ALTA		T2106002	2
31	ESPUMA PILOTO TRASERO ENDURO		BE250234058	1
32	TORNILLO ESPECIAL 6X25 VALONA 11MM		T0206025	1

**GASGAS**

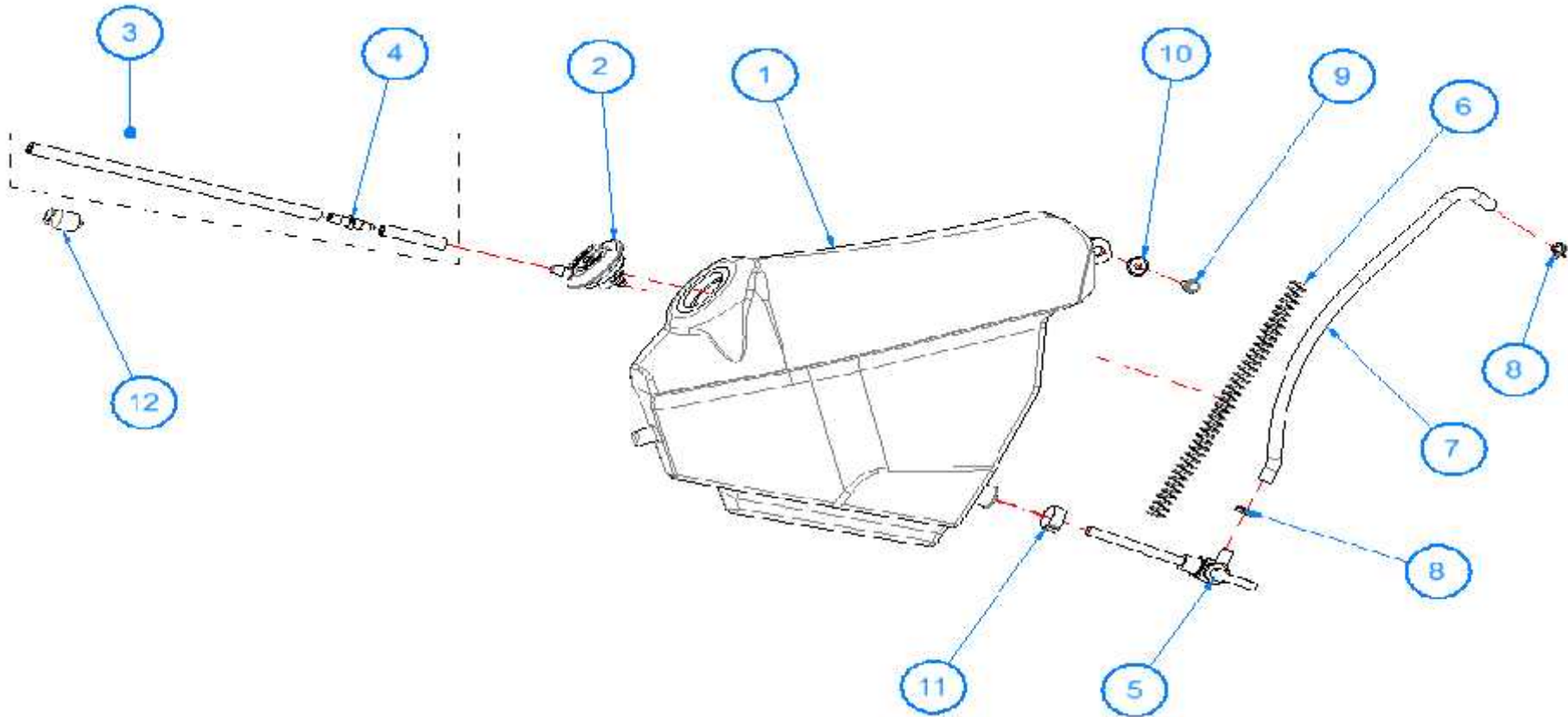
**Chasis 3**



Nº	DESCRIPCION / DESCRIPTION	125	Cant.
1	CHASIS NEGRO RANDONNE 125 4T	BRS100001213	1
2	SOPORTE MOTOR RANDONNE POLICE NEGRO	BRS110001213	1
3	TIRANTE CHASIS A CULATA PAMPERA 2011	BPS112001211	2
4	TORN. EXAGONAL CON ARAND 8X35	T0208035	2
5	CASQUILLO FIJA TIRANTES CULATA A CHASIS	BPS112101211	1
6	TUERCA CON ARAN.ESTRIADA M-8 ZINCADA	T2208001	3
7	PROTECTOR CARTER MOTOR PAMPERA 125 4T 2011	BPS115001211	1
8	GOMA PROTECTOR CARTER RANDONNE 125 2012	BT10000021212	1
9	CTO. ESTRIBOS TRIAL 2008	BT14000CT2808	1
12	MUELLE ESTRIBO IZDA.	M100004	1
13	MUELLE ESTRIBO DCHA.	M100003	1
14	CASQ.ESTRIBO TRIAL-99	BT27910006	2
15	TUERCA AUTOBL. M-8 BAJA (DIN 985)=T2108001/2	T2108001	2
16	ULS M8X45 DRACOMET	T0508045	2
17	TORNILLO ESPECIAL M8x103	T0208103	2
18	TUERCA AUTOBLOCANT M8 CON ARANDELA	T2208002	6
19	TORNILLO ESPECIAL 8X70 FIL.20 12.9 ZINCADO	T0208070	1
20	TORNILLO ESPECIAL 8x20 8.8 ZINCADO	T0208020	2
21	ULS 8X20 PLAT,PROT	T0508020	4
22	TUERCA NUT ENJAULADA M-8 TRU 958 TRIAL 2000	BT280010041	2
23	TORNILLO ESPECIAL 6X16 8.8 ZINCADO	T0206016	2
24	TUERCA AUTOBLOC. DIN-6926 M-6 C/ARAND ZN	T2206002	1
25	TUERCA NUT 956 RAPIDA M-6 62128278	T2606000	10
26	SILENBLOCK SILENCIADOR EC-2000 (FIJA DEL DEP GAS)	BE250026005	1
27	SOPORTE RELE ARRANQUE PAMPERA 2011	BPS109051211	1
28	EXAGONAL 6x14 CON ARANDELA INCORP.	T0206014	1
29	GOMA PASACABLES GUARDABARROS TRAS.	BPS190601211	1
30	TUERCA AUTOBL. M-6 ALTA	T2106002	1
31	BRIDA UNEX 2244 4.8X20	BE25634009	3

**GASGAS**

**Chasis 4**

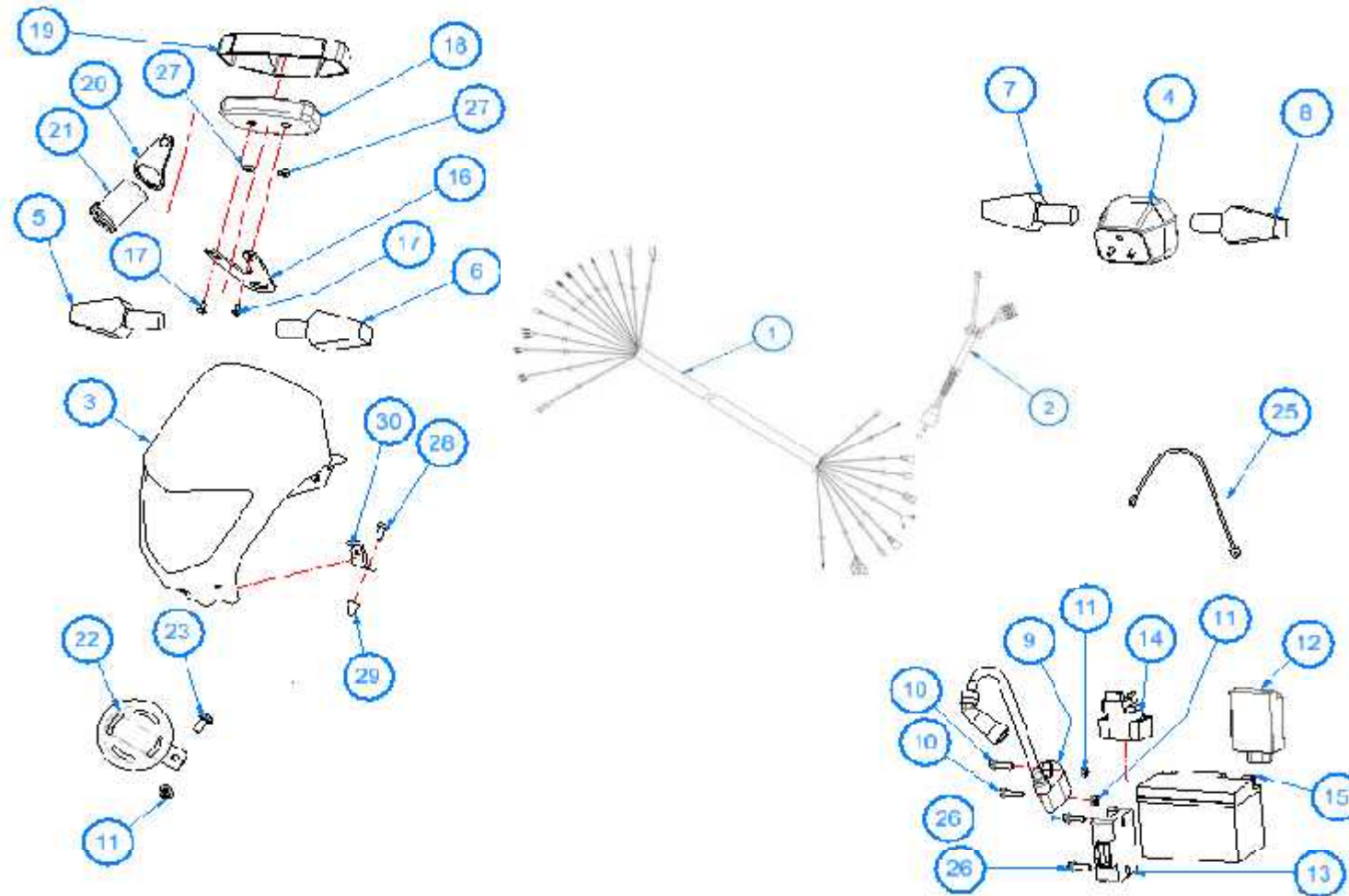


Nº	DESCRIPCION / DESCRIPTION		125	Cant.
1	DEPOSITO GASOLINA RANDONE		BPS760001211	1
2	CTO.TAPON GASOLINA TRIAL 2004		BT280420010	1
3	CTO.TUBO DESVAPORIZADOR GASOLINA RAGA 2012		BT80000073012	1
4	VALVULA DESVAPORIZADOR		BT27836025	1
5	GRIFO GASOLINA 01Z3042173		BIT50010031	1
6	MUELLE DESVAPORIZADOR		M150000	1
7	TUBO DE GASOLINA		BPS780051211	1
8	ABRAZ.ELASTICA ALAMBRE 9.3X9.9 2016055		L200036	2
9	EXAGONAL 6x14 CON ARANDELA INCORP.		T0206014	1
10	CASQUILLO TAPA RADIADOR ALUMINIO		BE250032060	1
11	ABRAZADERA COBRA D.17		BIT50010033	1
12	SOP. TUBO DESVAP.00-23 NEGRO		BE250420076	1

**GASGAS**

**Chasis 5**

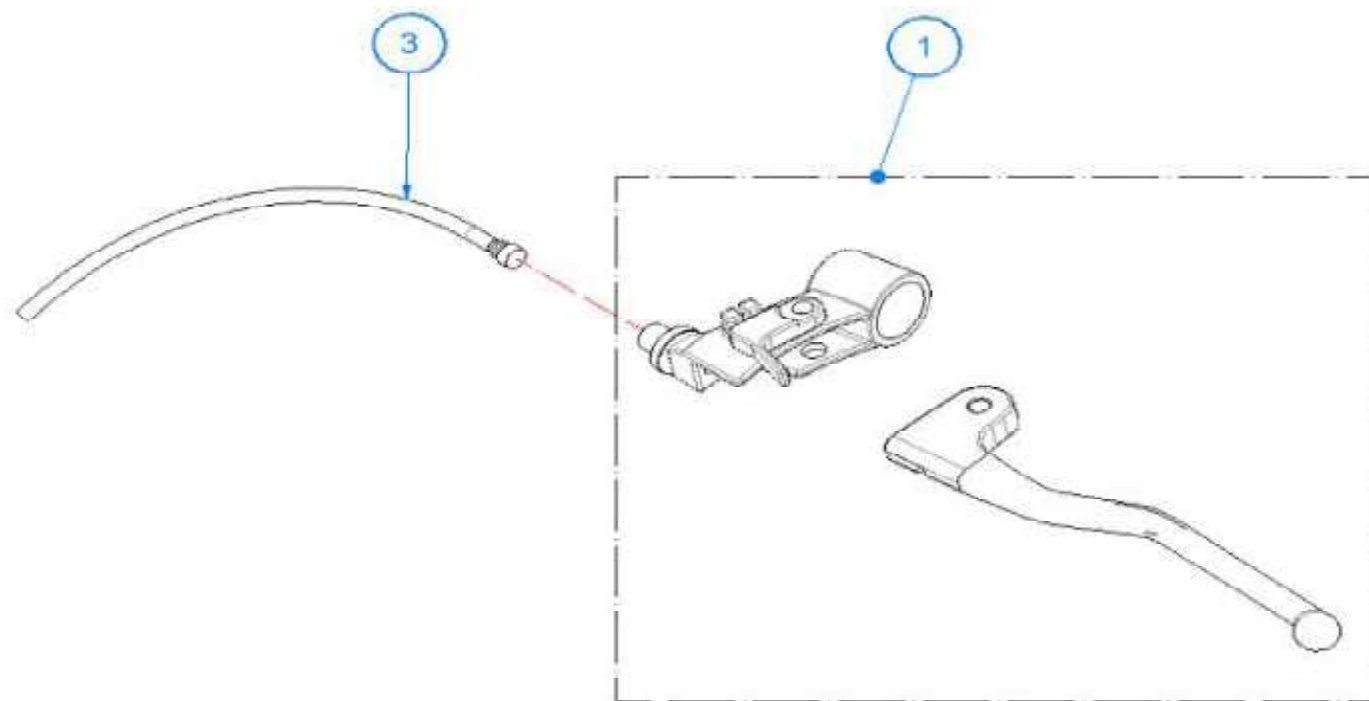




Nº	DESCRIPCION / DESCRIPTION	125	Cant.
1	INSTALACION ELECTRICA PRINCIPAL RANDONNE 2013	ERS100001213	1
2	INST ALARGO PILOTO TRASERO TRIAL PRO HOMOL 06	BT280634016	1
3	CTO.FARO RANDONNE HOMOLOGADO	BPS905001212	1
4	FARO PILOTO PP 250-97 277.10	BP25734015	1
5	INTERMITENTE DRCH. 2006 ref.911106	BT280634018/2	1
6	INTERMITENTE IZQ. 2006 ref.911107	BT280634019/2	1
7	INTERMITENTE DRCH. 2006 ref.911106	BT280634018/2	1
8	INTERMITENTE IZQ. 2006 ref.911107	BT280634019/2	1
9	BOBINA	EPS500001211	1
10	TORNILLO ESPECIAL 6x20 8.8 ZINCADO	T0206020	2
11	TUERCA CON ARAN.M-6 (DIN 6923) ESTRIADA	T2206000	3
12	CDI	EPS511001211	1
13	REGULADOR RECTIFICADOR	EPS512001211	1
14	RELE DE ARRANQUE	EPS802501211	1
15	BATERIA	BPS400001211	1
16	SOPORTE MULTIFUNCION TRIAL PRO 2006	BT280634045	1
17	ULS 4X10 CON ARANDELA NEGRO	T0554010N	2
18	MULTIFUNCION TRIAL PRO 2008	ET600002808	1
19	CTO. TESTIGOS LUCES HALLEY 125 4T 2009	EH600501209	1
20	SOPORTE CLAUSOR LLAVE ENCENDIDO	BRS241001213	1
21	CERRADURA CONTACTO CON CIERRE FSE450-2003	BFS450334032	1
22	CLAXON FSR 450-2008	EFS204004508	1
23	ULS 6x10 CON ARANDELA INCOR.NEGRO	T0556014	1
24	BRIDA UNEX 2244 16/102 4.8X36	BE25634007	1
25	CABLE BATERIA A RELE ARRANQUE	EPS401101211	1
26	ALLEN 6X20 12.9	T0306020	2
27	ARAND. GOMA MULTIFUNCION END 2008 NBR 4X10X3	EE650102508	2
28	ULS 5X12 FARO.BOM.AG.	T0505012	1
29	CASQUILLO GOMA CON BOLONA	BT90000073011	1
30	SOPORTE PORTAFARO HOMOL. RANDONNE 2013	ET20000013012	1

**GASGAS**

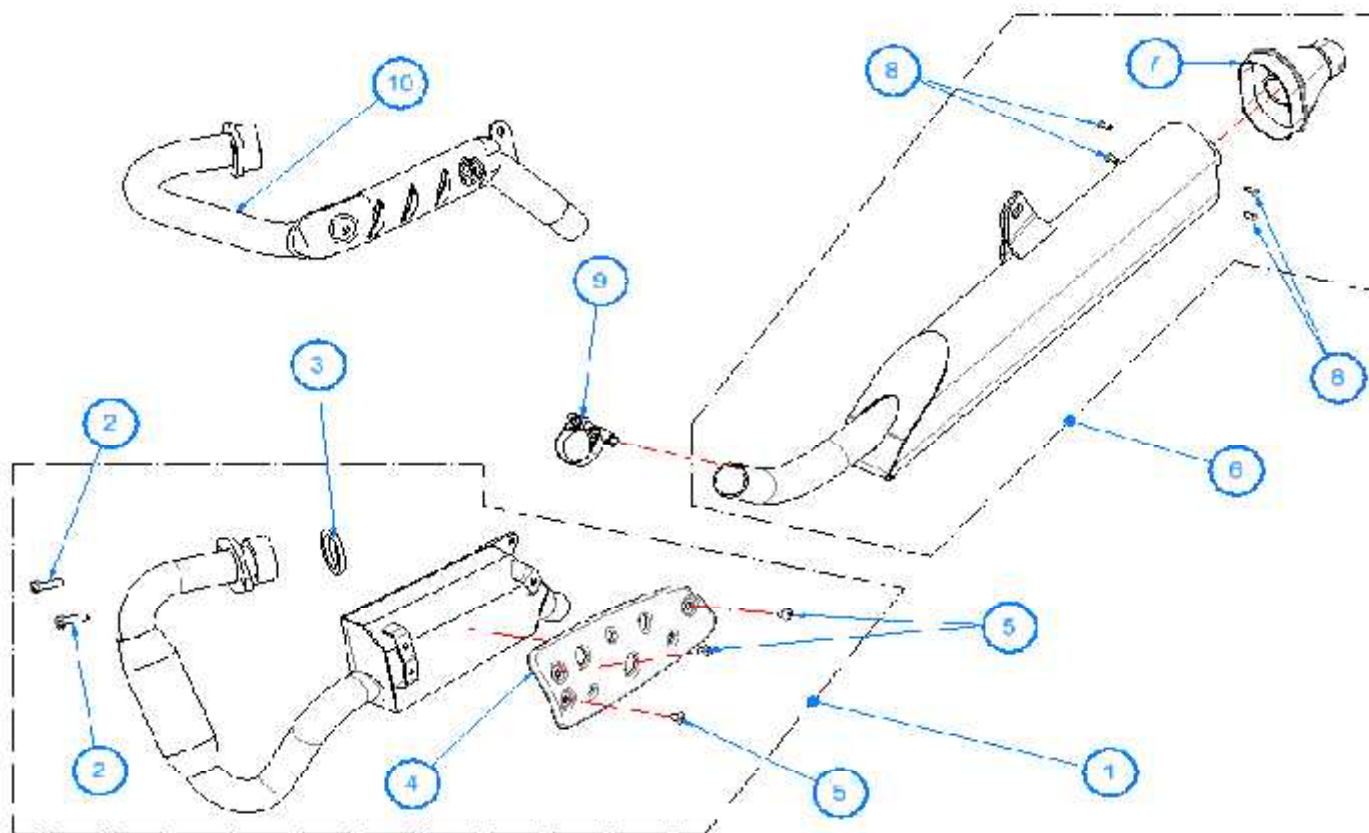
**Chasis 6**



Nº	DESCRIPCION / DESCRIPTION	125	Cant.
1	CTO.MANETA EMBRAGUE CON LEVA STARTER PAMPERA 125 4T	BPS46300CT1211	1
3	CABLE DE EMBRAGUE	BPS471001211	1

**GASGAS**

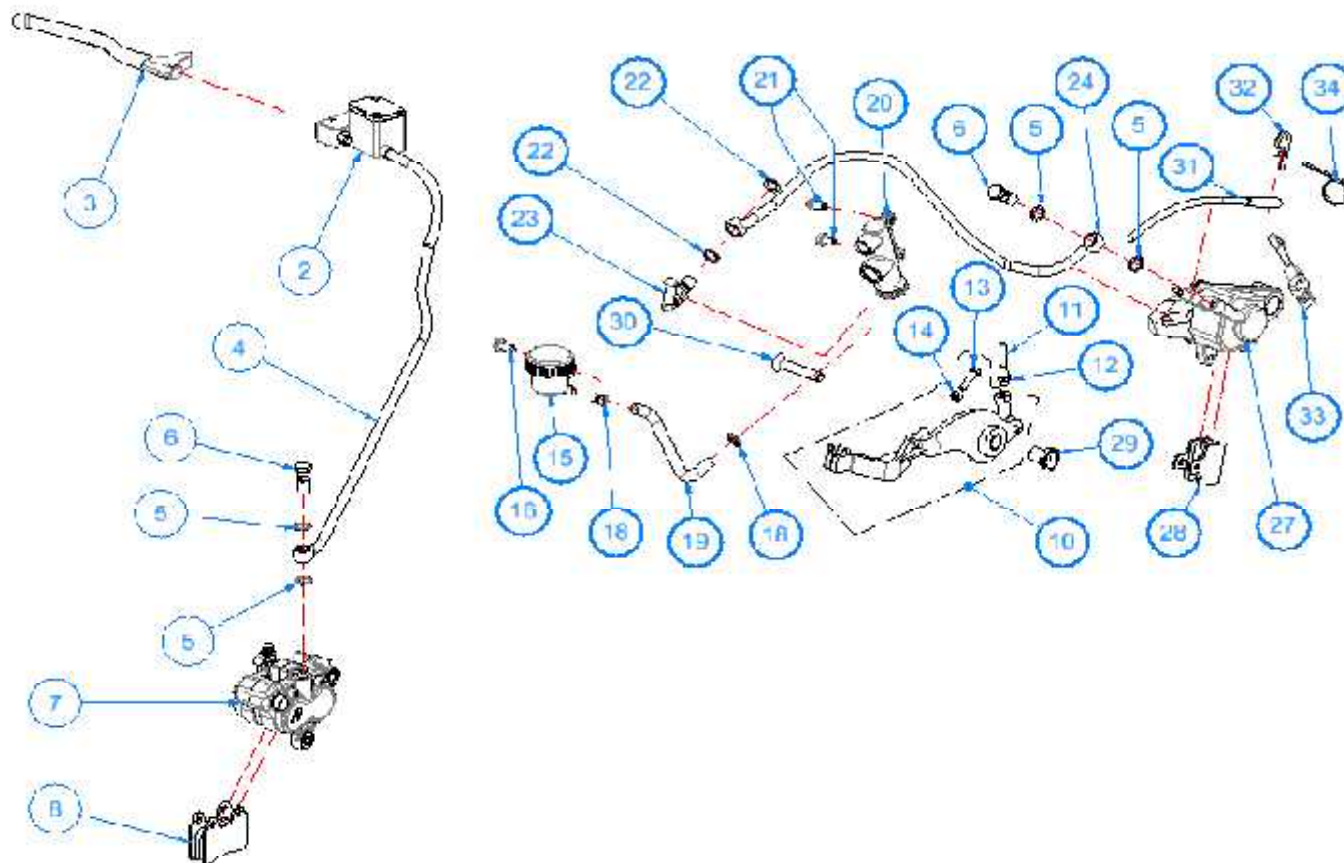
**Chasis 7**



Nº	DESCRIPCION / DESCRIPTION	125	Cant.
0	CONJUNTO TUBO DE ESCAPE	BPS85000CT1211	1
1	CTO. CURVA DE ESCAPE Y SILENCIOSO INTERMEDIO	BPS850001211	1
2	TORNILLO ESPECIAL 6x20 8.8 ZINCADO	T0206020	2
3	JUNTA TUBO DE ESCAPE	BPS862151211	1
4	PROTECTOR SILENCIOSO INTERMEDIO	BPS860011211	1
5	TORNILLO FIJA PROTECTOR SILENCIOSO INTERM.	T050508	3
6	CTO. SILENCIOSO FINAL	BPS870001211	1
7	CAZOLETA FINAL SILENCIOSO	BPS870901211	1
8	REMACHE ALUMINIO 4x12 CABOTA NEGRA	T4504012N	4
9	ABRAZADERA UNION SILENCIOSO INTERM. Y FINAL	BPS862101211	1
10	CURVA ESCAPE RANDONNE 125 4T 2012 RACING	BT85000011212	1

**GASGAS**

**Chasis 8**

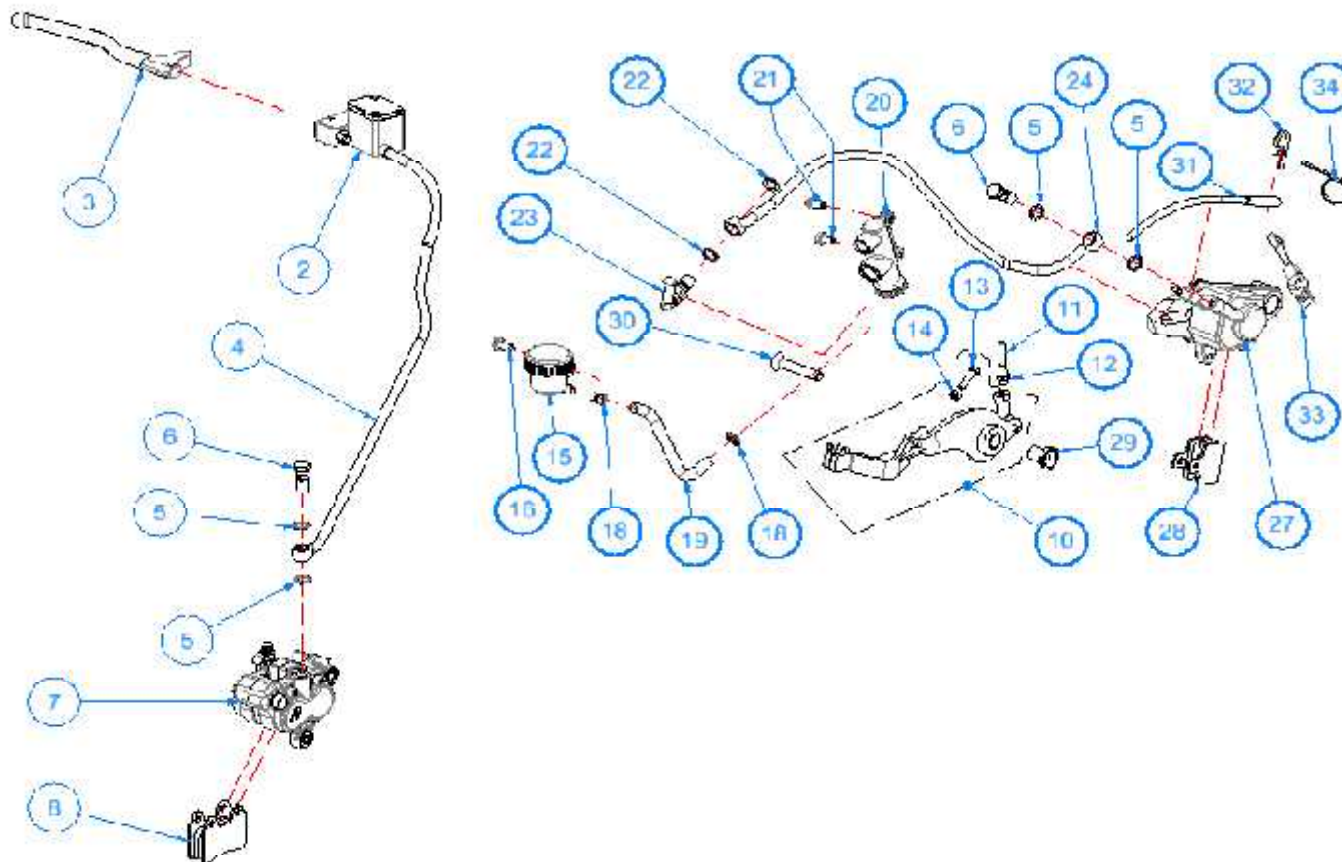


Nº	DESCRIPCION / DESCRIPTION	125	Cant.
2	CTO. BOMBA FRENO DELANTERO	BT61000R3009	1
3	MANETA FRENO DELANTERO	R390002PL	1
4	LATIGUILLO FRENO DELANTERO	BT280222002	1
5	ARANDELA 10X14X1.5 AL. (B220001AL)	BT280522007	2
6	RACOR LATIG. FRE. TRAS. M10X1 ALU-TITANIO	BT280522006	1
7	PINZA FRENO DELANTERO	BT280222000	1
8	JUEGO PASTILLAS FRENO DELANTERO	BT280222065	1
36	KIT TAPA BOMBA FRENO Y EMB.97	BT27722210	1
35	KIT BOMBA FRENO DEL.Y EMB.	BT27722208	1
10	CTO. PEDAL FRENO COMPLETO PAMPERA 125 4T	BPS13000CT1211	1
11	VARILLA PEDAL FRENO TRASERO LONG. 48	BT65000083012	1
12	TUERCA M-6 BAJA DIN 936	T2006001	1
13	EXAGONAL M5x15 ZINCADO	T0105015	1
14	TUERCA M-5	T2005000	1
15	DEPOSITO LIQUIDO FRENO GAS GAS TRIAL PRO 2004	BT280410016	1
16	EXAGONAL 6x14 CON ARANDELA INCORP.	T0206014	1
17	TUERCA M-6 (DIN 934)	T2006000	1
18	ABRAZ.ELASTICA ALAMBRE 9.3X9.9 2016055	L200036	2
19	TUBO DEPOSITO LIQUIDO FRENO	BPS663351211	1
20	BOMBA FRENO D 9.5 TRAS. 2002 129.00.002C	BT280222010	1
21	ULS 6X10 DIRECCION	T0506010	2
22	ARANDELA 10X14X1.5 AL. (B220001AL)	BT280522007	2
23	INTERRUPTOR STOP 23.011/3 TRIAL	BEP250234003	1
24	LATIGUILLO FRENO TRASERO TRIAL 2007	BT280722004	1
5	ARANDELA 10X14X1.5 AL. (B220001AL)	BT280522007	2
6	RACOR LATIG. FRE. TRAS. M10X1 ALU-TITANIO	BT280522006	1
27	PINZA 2P D25 TRASERA 223.00.102 TRIAL 2002	BT280222001	1

**GASGAS**

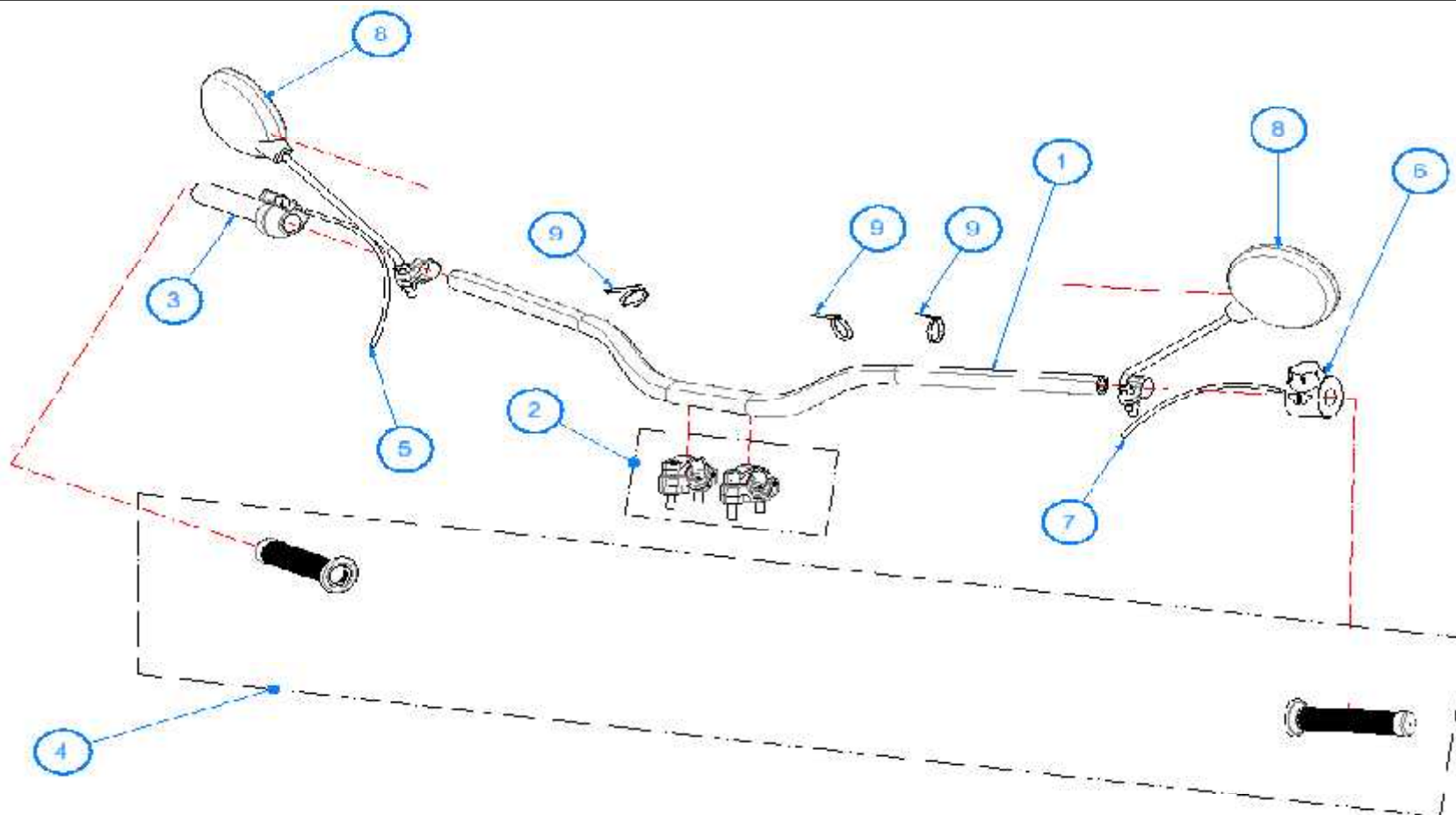
**Chasis 9**





**9A**

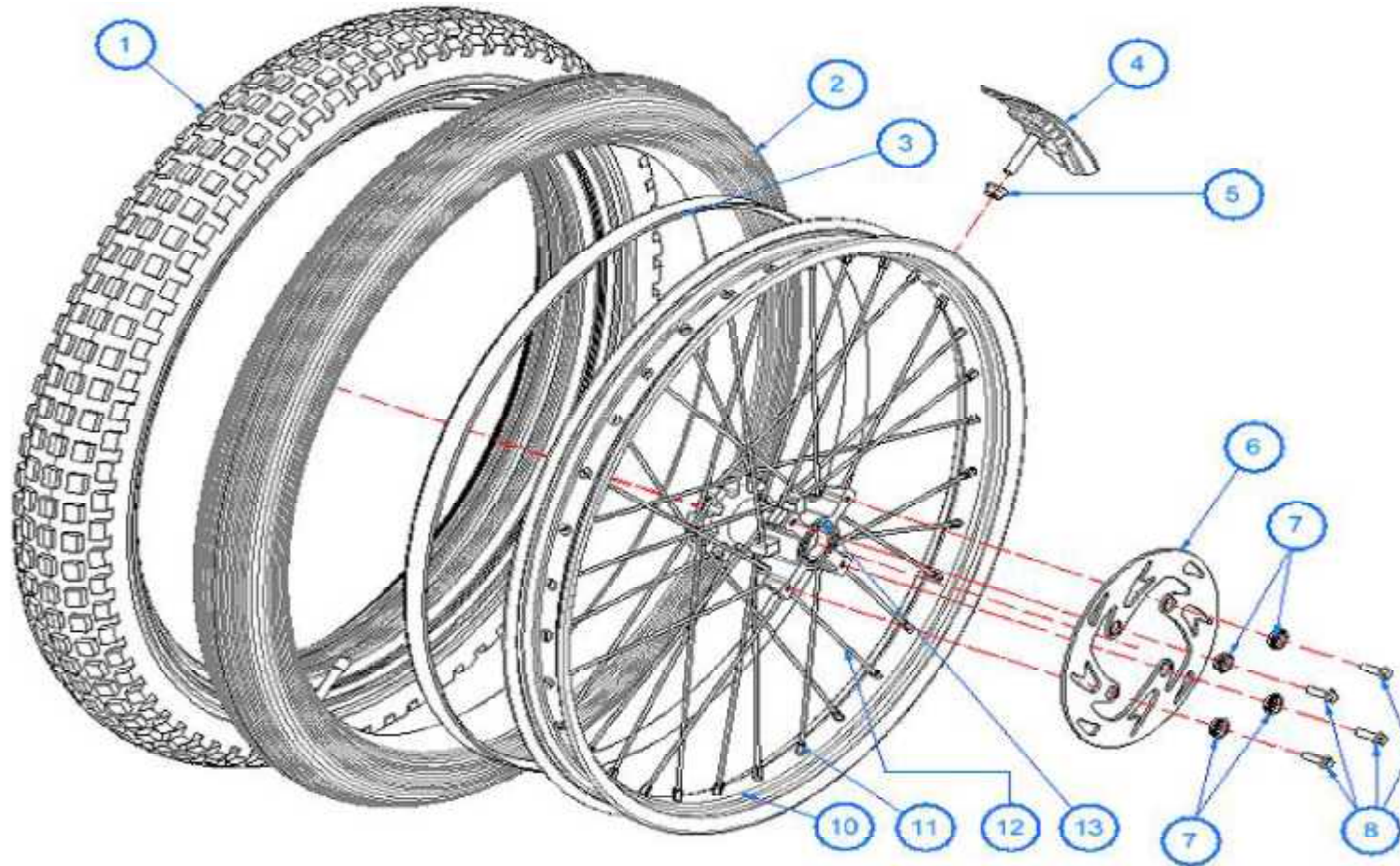




Nº	DESCRIPCION / DESCRIPTION	125	Cant.
1	MANILLAR	BPS250001211	1
2	CTO.BRIDA PRO RACING MANILLAR VARIABLE	BT280414012C	1
3	PUÑO MANDO GAS 1800-03	E100001	1
4	JUEGO EMPUÑADURAS TXT 2013	BT261003013	1
5	CABLE DE GAS 370-96 CEX	E160003	1
6	CONMUTADOR LUCES EC-2010 ARRAN.ELEC.	EE602002510	1
7	CABLE STARTER RANDONNE	BT75000001211	1
8	ESPEJO RETROVISOR CEX	L300760	2
9	BRIDA UNEX 2244 4.8X20	BE25634009	3

**GASGAS**

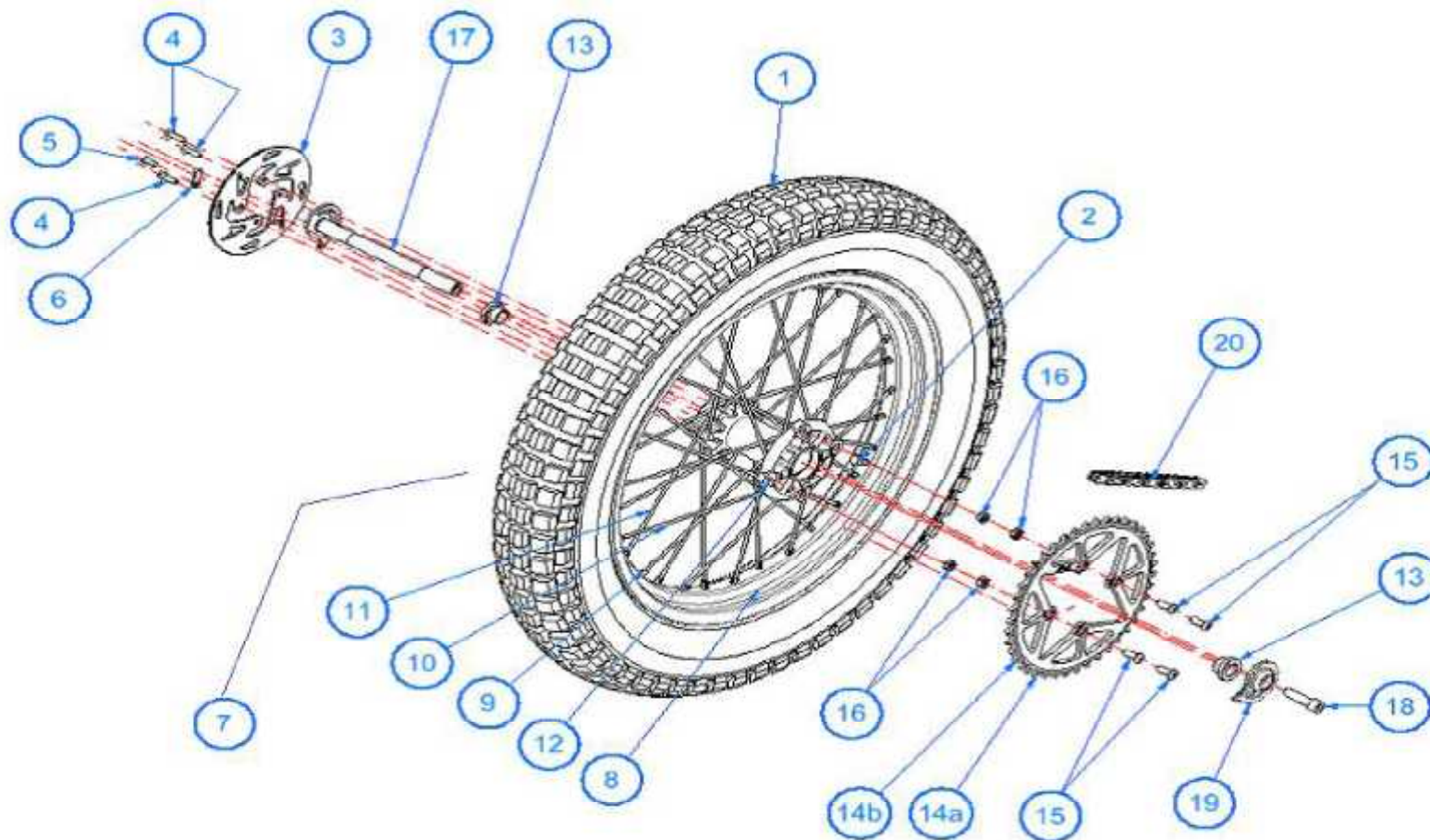
**Chasis 10**



Nº	DESCRIPCION / DESCRIPTION	125	Cant.
1	NEUMATICO DEL.PAMPERA 125 4T 2011 MT43	BPS501001211	1
2	CAMARA DELANTERA 21V1-09-1 (PIRELLI)	BPS502001211	1
3	PROTECTOR BANDA DEL.FLAP 21	BE503002511	1
4	AGARRE CUBIERTA DEL. Nº1 TT-96 =R120000 HR9010101	BE25618027	1
5	TUERCA CON ARAN.ESTRIADA M-8 ZINCADA	T2208001	1
6	DISCO FRENO DELANTERO TRIAL 2003 FLOTANTE	BT280322011R	1
7	DISTANCIADOR 490.75.311 R FLOTANTE 99	BT27918019	4
8	TORNILLO ESPECIAL 6x20 8.8 ZINCADO	T0206020	4
9	CTO. RUEDA DELANTERA RANDONNE	BPS50000CT1211	1
10	LLANTA DELANTERA	BT540002810	1
11	TUERCA RADIOS 3mm. RUEDA DEL.DIA.6.5	BT27718001	32
12	RADIO 3x257 RUEDA DEL. TRIAL	BRT500118008	32
13	CUBO RUEDA DEL. TRIAL 32R EJE 25	BT280418007	1

**GASGAS**

**Chasis 11**

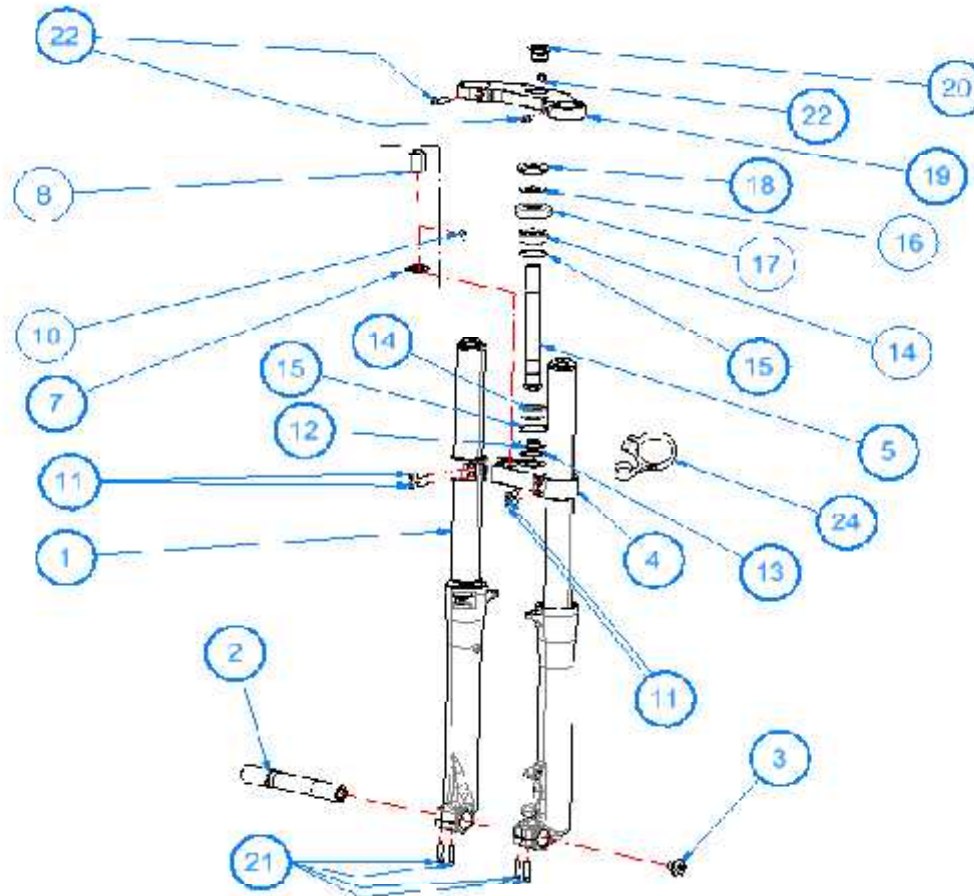


Nº	DESCRIPCION / DESCRIPTION	125	Cant.
1	NEUMATICO TRASERO 140/80/18 MT43 PAMPERA 125 4T	BPS551001211	1
2	FLAP TUBELESS CON VALVULA TRIAL 2008	BT551502808	1
3	DISCO FRENO TRASERO TRIAL 2003	BT280322012	1
4	TORNILLO ESPECIAL 6x20 8.8 ZINCADO	T0206020	3
5	ULS 6X15	T0506015	1
6	IMAN CTA.KMS IPLA00300	BT280234012	1
7	CTO. RUEDA TRASERA RANDONNE	BPS55000CT1211	1
8	LLANTA TRASERA TRIAL PRO C.TITANIO 2010	BT590002810	1
9	TUERCA RADIOS M4 RUEDA TRAS.DIA.7 =R500007 M4X0.70	BT27718016	32
10	RADIO 3.4x220 RUEDA TRAS.TRIAL	BRT500118014	16
11	RADIO 3.4x215 RUEDA TRAS.TRIAL	BRT500118015	16
12	BUJE RUEDA TRASERA TRIAL SXXI	BT280218027	1
13	DISTANCIADOR RUEDA TRAS. 7.5mm COLOR TITANIO	BT58100R3009	2
14a	CORONA Z-46 TRIAL 200cc	BT200218034	1
14b	CORONA TRIAL COLOR ALUMINIO 38Z	BPS573001211	1
15	ULS 8x22 CORONA	T0508022	4
16	TUERCA AUTOBL. M-8 BAJA (DIN 985)=T2108001/2	T2108001	4
17	CTO. EJE RUEDA TRASERA TRIAL 2007	BT280718020CT	1
18	TORNILLO EJE RUEDA TRASERA TRIAL 2007	BT280718023	1
19	EXCENTRICA IZQ. RUEDA TRASERA TRIAL 2007	BT280718022L	1
20	CADENA CON ENGANCHE 99P.+ ENNGANCHE+MALLA 125 520RXL	BRS578001213	1

**GASGAS**

**Chasis 12**

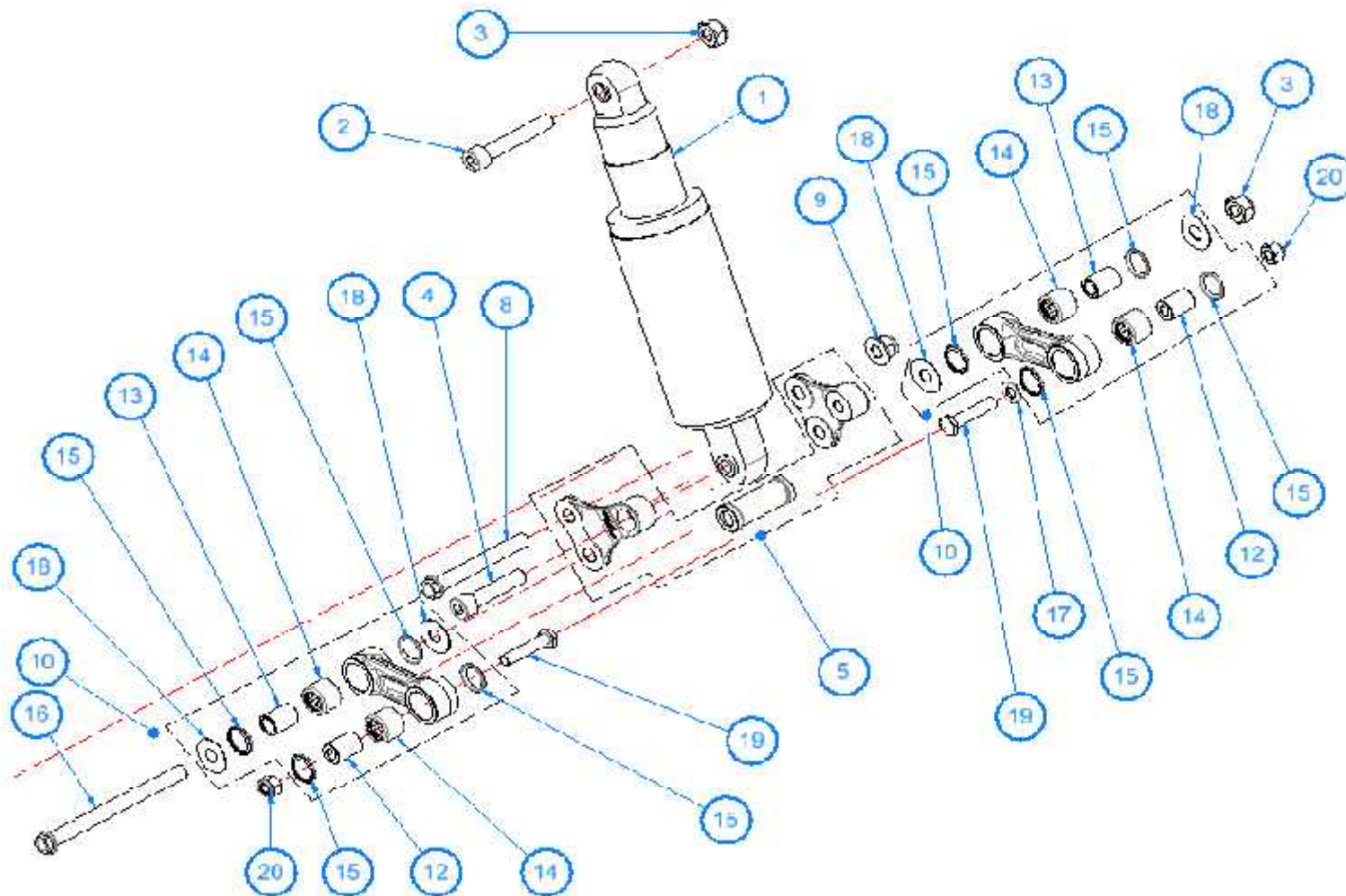




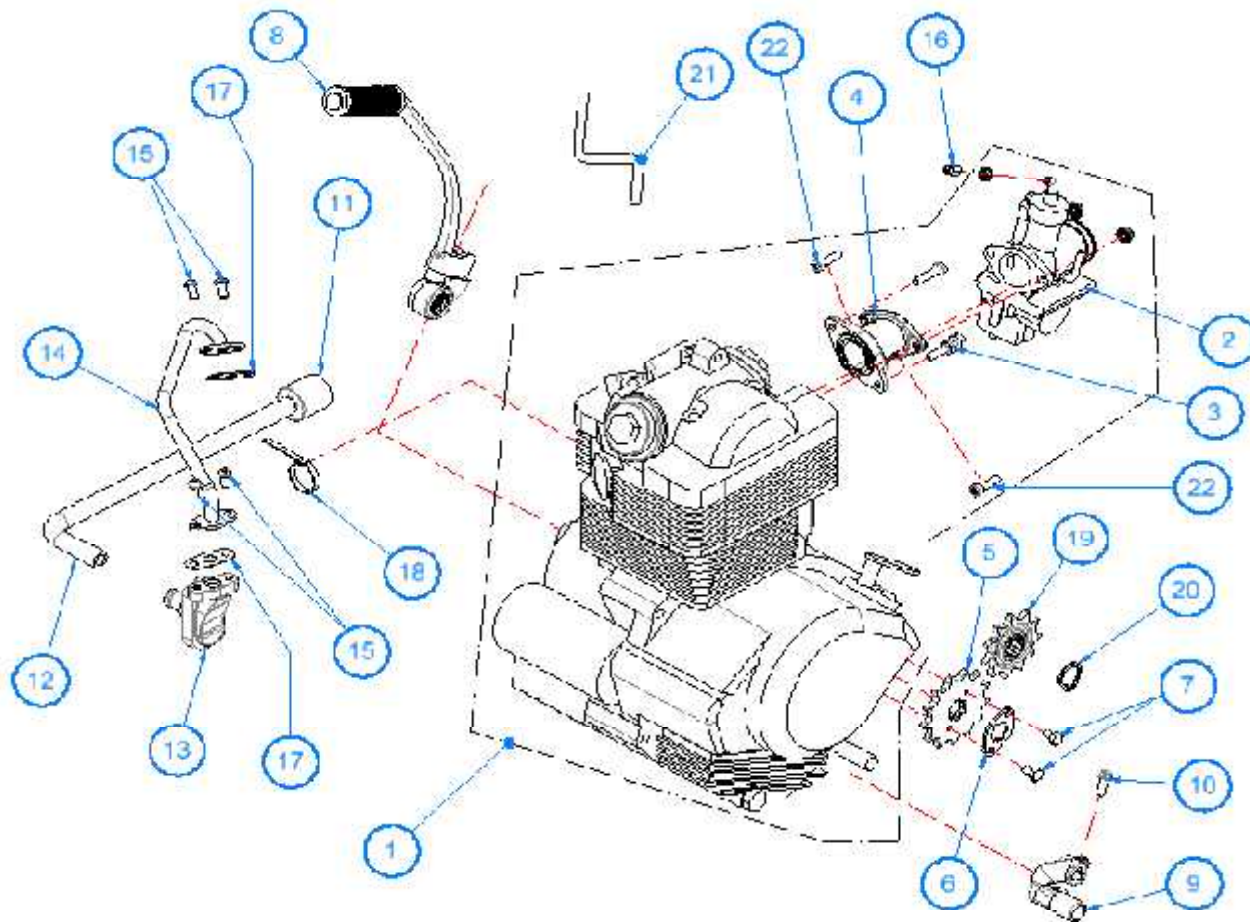
Nº DESCRIPCION / DESCRIPTION		125	Cant.
1	SUSPENSION DELANTERA (BARRA ACERO)	BPS200001211	1
2	EJE D.25 RUEDA DEL. COLOR TITANIO T. RAGA 2009	BT53000R3009	1
3	TORNILLO EJE DEL. COLOR TITANIO T. RAGA 2009	BT53010R3009	1
4	BRIDA SUSPENSION INFERIOR TRIAL 2012	BT20000013012	1
5	EJE DIRECCIO TRIAL 2002	BT280214003	1
6	CTO.SOPORTE CLAUSOR TRIAL 2002	BT280210071	1
10	ULS 6X10 DIRECCION	T0506010	1
11	ALLEN 6X20 12.9	T0306020	4
12	ARANDELA TORICA DIRECCION ZINC.42x20x1	BT280210026	1
13	TORICA DIRECCION 37x2.5 ENDUPAMP 250	BEP250210012	1
14	COJINETE DIRECCION URBXA 32004	BT280210008	2
15	VOLANDERA 36X42X0.5	T4003642	2
16	ARANDELA 22.4x36X0.7 REGLAJE CASQ.BASC y EMBRAGUE	T4022036	1
17	GUARDAPOLVO COJINETE DIRECCION ENDUPAMP 250-2002	BEP250210026	1
18	TUERCA DIRECCION 510040	BT280410029	1
19	PLETINA SUPERIOR SUSP DEL	BT220002809	1
20	TUERCA SUPERIOR DIRECCIÓN	BT280410030	1
21	TORNILLO ESPECIAL 6X25 VALONA 11MM	T0206025	4
22	ALLEN 6X20 12.9	T0306020	3
23	KIT RETEN-GUARDAPOLVO SUSP DEL RANDONNE 2011	BT20000091211	1
24	GUIA LATIGUILLO FRENO SUSPENSION RACING	BT21600RA3010	1

**GASGAS**

**Chasis 13**



Nº	DESCRIPCION / DESCRIPTION	125	Cant.
1	AMORTIGUADOR TRIAL SCHOOL 2010	BT30000S2810	1
2	ALLEN 10X60 12.9	T0301060	1
3	TUERCA AUTOBL. M-10 (DIN 985) CLASE (10) SUS T3110002	T2110001	2
4	ALLEN 10X48 17mm. ROSCA 12.9 DACROMET	T0310046	1
5	BALANCIN COMPLETO TRIAL COLOR TITANIO RAGA 2009	BT32000RCT3009	1
8	TORNILLO ESP.M10X80X1.25 12.9 FIL.17 ZINCADO BLANCO	T0210080	1
9	TUERCA AUTOB. M10 PASO 1.25 PLATA	T3110002	1
10	BIELETA ALUMINIO TRIAL COMPLETA	BT280014008CT	2
12	CASQUILLO SUSP.DIAM.10 97	BT27712005	2
13	CASQUILLO SUSP.DIAM.8 TRIAL 97	BT27712014	2
14	COJINETE AGUJAS 15BM2116	BT27714009	4
15	RETEN 15X21X2	C230001	8
16	TORNILLO ESPE. M10X120	T0210120	1
17	ARANDELA DE 8X16X1,5	T4008016	1
18	ARANDELA REGLAJE 10.5X26X0.5	T4001026	4
19	TOR.BIELETA ESPECIAL 8X38 12.9 CAP.REBAJ.	T0118038	2
20	TUERCA AUTOBL.M-8 ALTA (DIN 982)	T2108002	2
21	CASQ.DIST.BALANCIN	BT27914016	1



Nº	DESCRIPCION / DESCRIPTION	125	Cant.
1	MOTOR 125CC	MPS12-11	1
2	CARBURADOR	BPS780001211	1
3	TORNILLO HEX. ANTIMANIP. 6X25	T0106025H	1
4	TOBERA DE ADMISION PAMPERA 125 4T	BPS781071211	1
5	PIÑON SALIDA TRANSMISION PAMPERA 125 4T 2011	MPS427001211	1
6	PLETINA FIJAR PIÑON SALIDA	BT050021211	1
7	EXAGONAL M6X10	T0106010	2
8	CTO. PALANCA ARRANQUE CON MUÑEQUILLA	MPS890001211	1
9	PALANCA CAMBIO VELOCIDADES	MPS490001211	1
10	TORNILLO ESPECIAL 6X16 8.8 ZINCADO	T0206020	1
11	FILTRO AIRE SECUNDARIO TRIAL PRO 2006 CEX	BT280626059	1
12	TUBO AIRE SECUNDARIO LARGO EC-2009	BE785551209	1
13	VALVULA AIS 14GH-01AI-00 TRIAL PRO 07	BT280626060	1
14	TUBO AIRE SECUNDARIO VALVULA - CULATA	BPS880101211	1
15	ULS 6X12 TOPE FREN,PRO.FIL,	T0506012	4
16	CASQUILLO ADAPTADOR CABLE GAS A CARBURADOR	BPS784001211	1
17	JUNTA VALVULA AIRE SECUNDARIO TRIAL 2006	BT280626065	2
18	BRIDA UNEX 2244 4.8X20	BE25634009	1
19	PIÑON SALIDA Z9 PASO 520	MRS445001213	1
20	SEEGER DIN 471-472 REFORZADO 20x175 PARA EJE	SE03020175200	1
21	TUBO SALIDA GASES CARTER 8,5X12,5X155	MT10000011211	1
22	ALLEN 6X16 BOMBA EMB.12.9	T0306016	2

**GASGAS**

**Motor 1**