

TXT REPLICAFACTORY 2013

DESPIECE / PART LIST

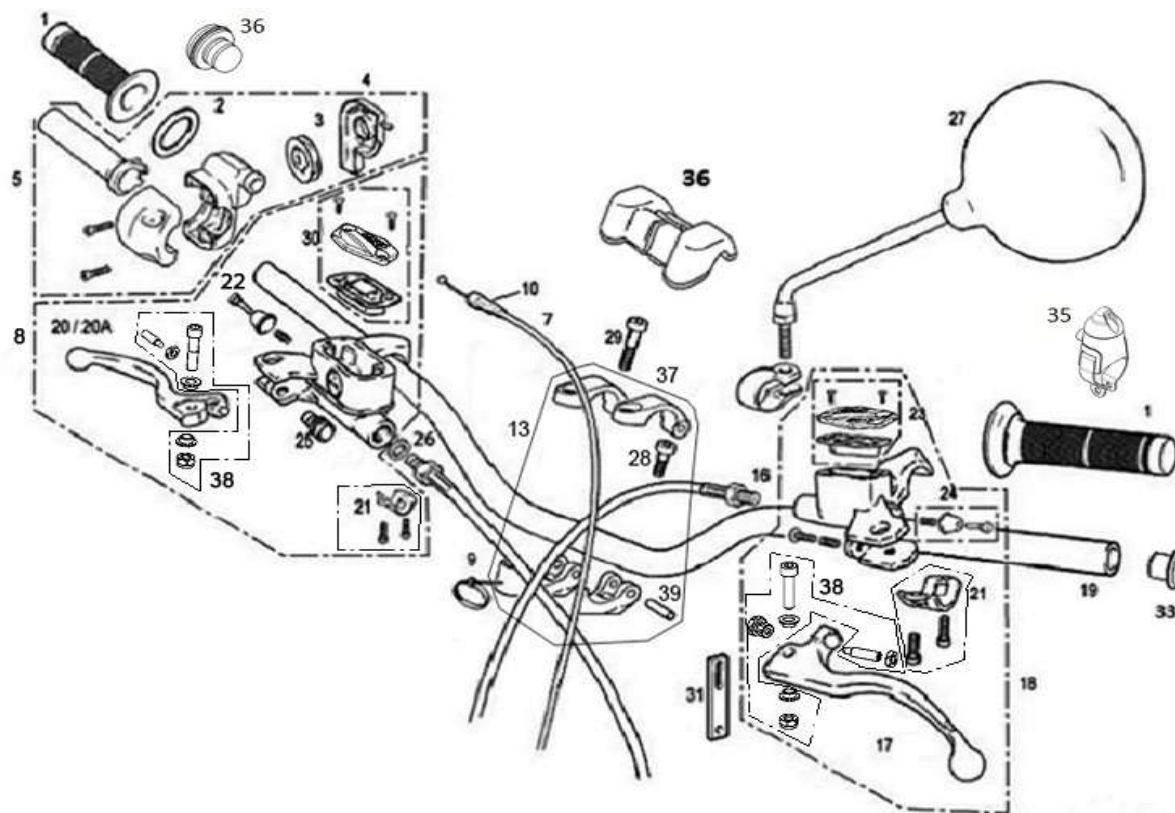
125-250-280-300





**SCHOOL OF
CHAMPIONS**

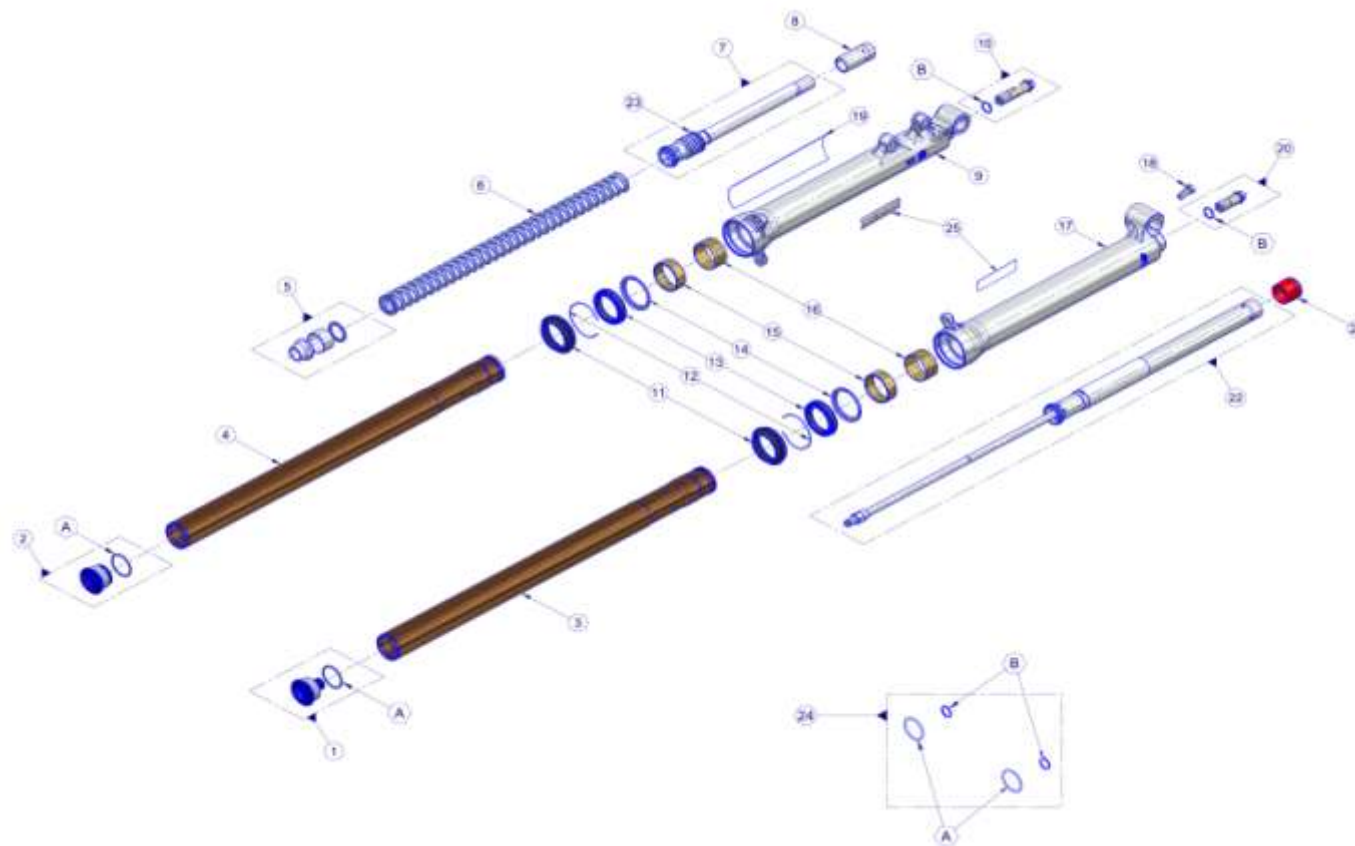
ABRIL / APRIL / AVRIL / APRILE / APRIL 2013

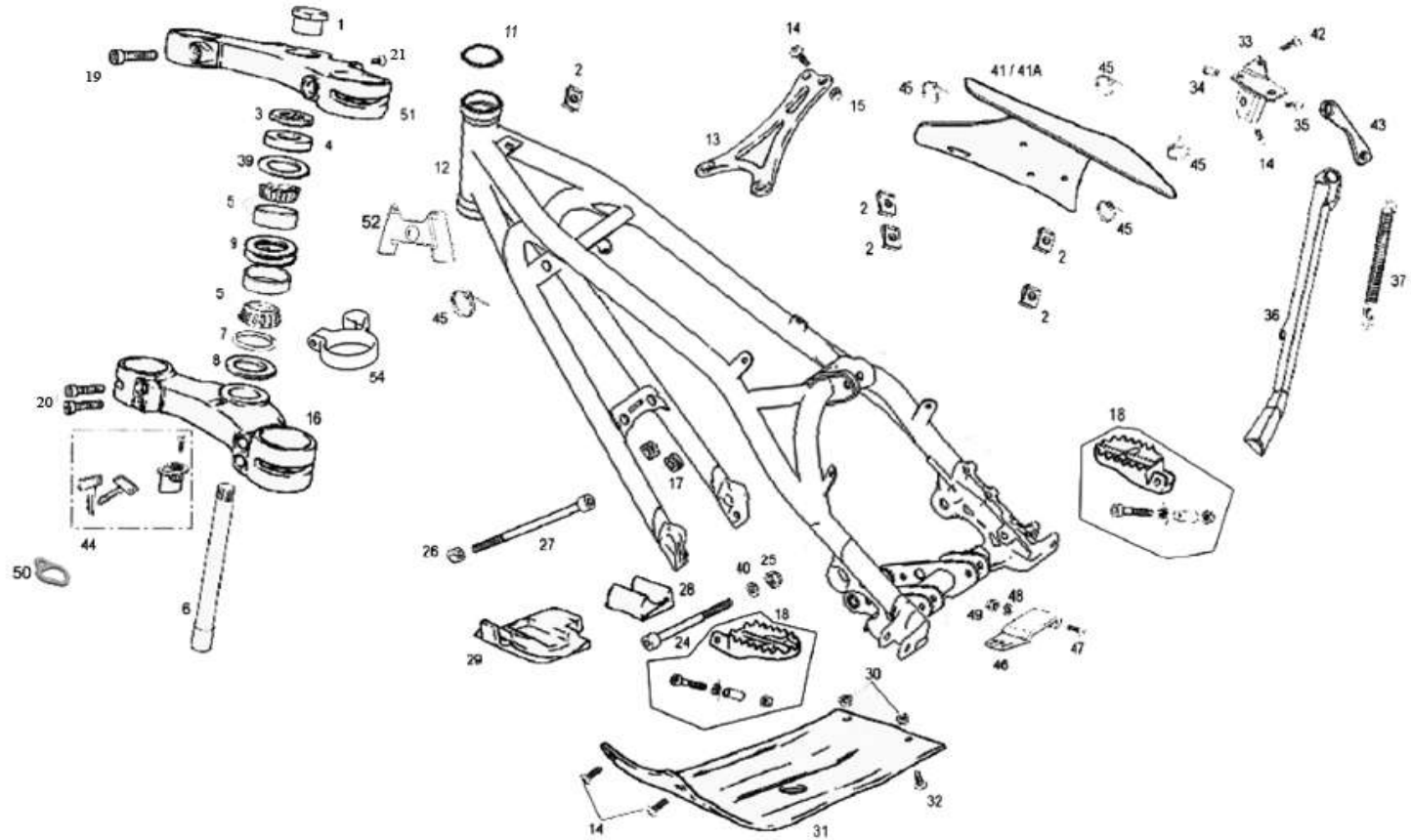


Nº	DESCRIPCION / DESCRIPTION	125 / 250 / 280 / 300	Cant.
1	JUEGO EMPUÑADURAS TRIAL / HANDLEBAR GRIP (PAIR)	BT26100RA3010	1
2	ARANDELA MANDO GAS / TWIST GRIP WASHER	BT27922078	1
3	RODILLO MANDO GAS / TWIST GRIP ROLLER	E119000	1
4	TAPA MANDO GAS / TWIST GRIP COVER	E140000	1
5	PUÑO MANDO GAS / CPT. TWIST GRIP	E100001	1
6	BOMBA FRENO DELANTERO / FRONT BRAKE PUMP	BT610003013	1
7	CABLE DE GAS HOMOLOGADO / THROTTLE CABLE	E160003	1
8	BOMBA DE FRENO	BT610003013	1
9	BRIDA UNEX 4.8X20 / UNEX 4.8X20 CLAMP	BE25634009	1
10	GUARDAPOLVO PUÑO GAS / THROTTLE CABLE DUST COVER	G600000	1
13	CTO. BRIDA MANILLAR RAGA 2012/ HANDLEBAR CLAMP ASSY	BT280414012C	1
16	LATIGUILLO EMBRAGUE TRIAL / CLUTCH TUBE	BT280522003	1
17	MANETA EMBRAGUE RACING / CLUTCH LEVER R	BT463003013	1
18	BOMBA EMBRAGUE ACEITE / CLUTCH PUMP	BT460003013	1
19	MANILLAR + PROTECTOR / HANDLEBAR ASSY. + PROTEC	BT250003013	1
20	MANETA FRENO LARGA / BRAKE LEVER TRIAL	BT613003013	1
21	BRIDA BOMBA FRENO - EMBRAGUE / MASTER CYLINDER CLAMP	BT613033013	2
22	KIT BOMBA FRENO / BRAKE PUMP SET	BT613023013	1
23	KIT TAPA BOMBA / COVER PUMP SET	BT462003013	1
24	KIT BOMBA EMBRAGUE / CLUTCH PUMP SET	BT460103013CT	1
25	CASQUILLO PULSADOR FRENO DELANTERO / PUSH BUTTON BUSHING	BT613043013	1
26	ARANDELA COBRE 10X14X1 / 10X14X1 WASHER	BT280522007	1
27	ESPEJO RETROVISOR / REAR VIEW MIRROR	L300760	2
28	TORNILLO UFK 8X25 / 8X25 UFK SCREW	T0318025	2
29	TORNILLO UFK 8X50 / 8X50 UFK SCREW	T0318050	2
30	TAPA BOMBA FRENO / KIT COVER PUMP	BT610103013CT	1
31	GOMA SUJECIÓN CABLEADOS / WIRE SUBJET RUBBER	BFS450320067	1
33	TAPON MANILLAR MOSS (12089)	BT255953012	1
35	DISPOSITIVO SEGURIDAD PILOTO	ET10000023012	1
36	RODAMIENTO + CASQUILLO MANDO DE GAS TXT RACING 2010	BT26010R3010	1
37	KIT BRIDAS MANILLAR /HANDLEBAR RAISERS KIT	BT25000073012CT	2
38	KIT AJUSTE	BT614003013	2
39	PASADOR CILÍNDRICO	BT280414010	2

GASGAS

Chasis 1

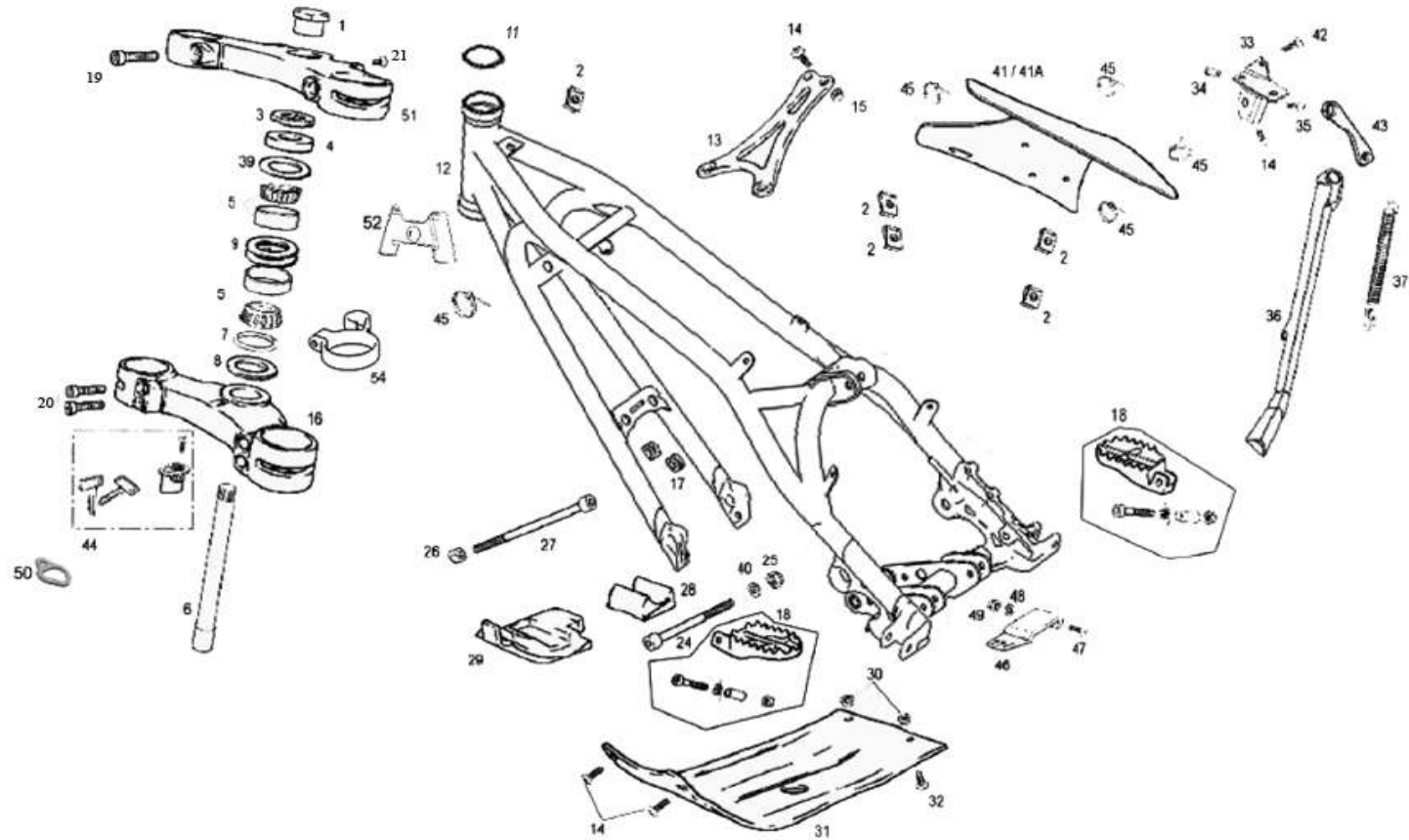


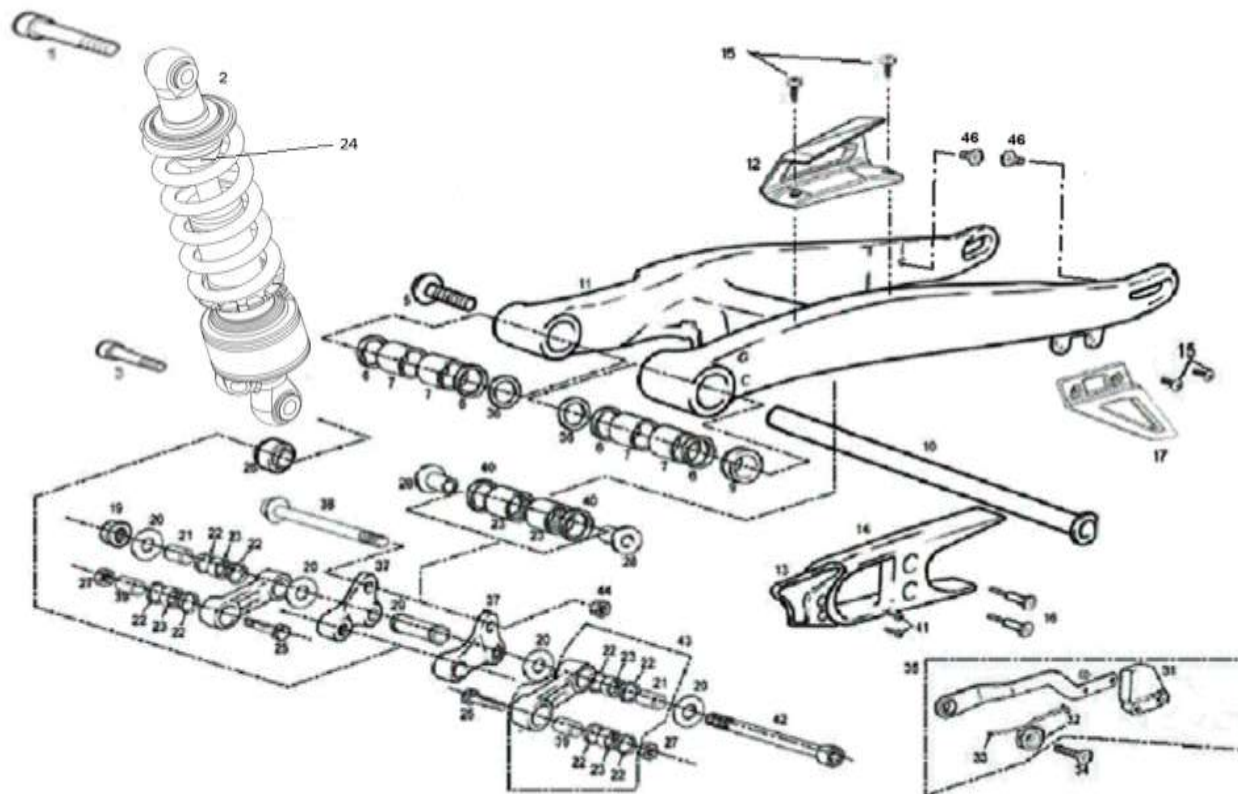


Nº	DESCRIPCION / DESCRIPTION	125 / 250 / 280 / 300	Cant.
1	TUERCA SUPERIOR DIRECCIÓN TRIAL / NUT TOP STEERING AXLE	BT280210030	1
2	TUERCA NUT 956 RAPIDA M6 / M6 FAST NUT	T2606000	5
3	TUERCA INFERIOR DIRECCIÓN TRIAL / NUT UNDER TOP CLAMP	BT280410029	1
4	GUARDAPOLVO COJINETES DIRECCIÓN / BEARING STEERING, DUST COVER	BEP250210026	1
5	COJINETE DIRECCIÓN URBXA 32004 / BEARING STEERING	BT280210008	2
6	EJE DIRECCIÓN TRIAL 2002 / AXLE STEERING	BT280214003	1
7	TÓRICA DIRECCIÓN 37X2,5 ENDUPAMP 250 / O'RING STEERING	BEP250210012	1
8	ARANDELA REGLAJE BLANCA / WHITE WASHER	BT280210026	1
9	ARANDELA 36X42X0.5 / 36X42X0.5 WASHER	T4003642	2
10	ALLEN M6x25 / ALLEN SCREW M6x25	T0306025	1
11	JUNTA TORICA PIPA / O-RING STEERING COLUMN	BT100503013	1
12	CHASIS TRIAL / TRIAL FRAME	BT100013013	1
13	TIRANTE CILINDRO / BRACE CYLINDER	BT280110050	1
14	ULS 8X20 / 8X20 ULS	T0508020	7
15	TUERCA AUTOBLOCANTE M-8 ALTA / SELF-LOCKING NUT M8 HIGH	T2108002	4
16	PLATINA INFERIOR TRIAL / FORK CLAMP (LOWER)	BT210003013	1
17	GOMAS RADIADOR A CHASIS / RADIATOR PROTECTOR RUBBER	G220000	3
18	CTO. ESTRIBOS TXT RACING / JOINT STIRRUPS	BT140003013CT	1
19	TORNILLO ESPECIAL M6X20 / SPECIAL SCREW M6X20	T0206020	2
20	TORNILLO ESPECIAL M6X25 / SPECIAL SCREW M6X25	T0206025	4
21	TORNILLO ULS M6X8 / ULS SCREW M6X8	T0506008	1
24	ALLEN 10x85 / 10X85 ALLEN BOLT	T0301085	1
25	TUERCA AUTOBLOCANTE M10 BAJA / SPECIAL M10 NUT	T2110001	1
26	TUERCA ESPECIAL M10 / SPECIAL M10 NUT	BT280210069	1
27	ALLEN M10X140 ZINCADO 12.9 / SCREW, BOLT ALLEN M10X140	T0310140	1
28	GOMA PROTECTOR TRASERO MOTOR / REAR ENGINE PROT. RUBBER	BT280336029	1
29	GOMA PROTECTOR DELANTERO MOTOR / FRONT ENGINE PROT. RUBBER	BT280236030	1
30	CASQUILLO PROTECTOR CÁRTER / CHASIS TRIAL / BUSHING	BT280310883	2
31	PLACA PROTECCIÓN MOTOR / TRIAL ENGINE PROTECTOR PLATE	BT10000013012	1
32	ULS 8X16 / ULS 8X16	T0508016	2
33	SOPORTE CABALLETE TRIAL / SIDE STAND BRACKET SUPPORT	BT14210R3009	1

GASGAS

Chasis 3

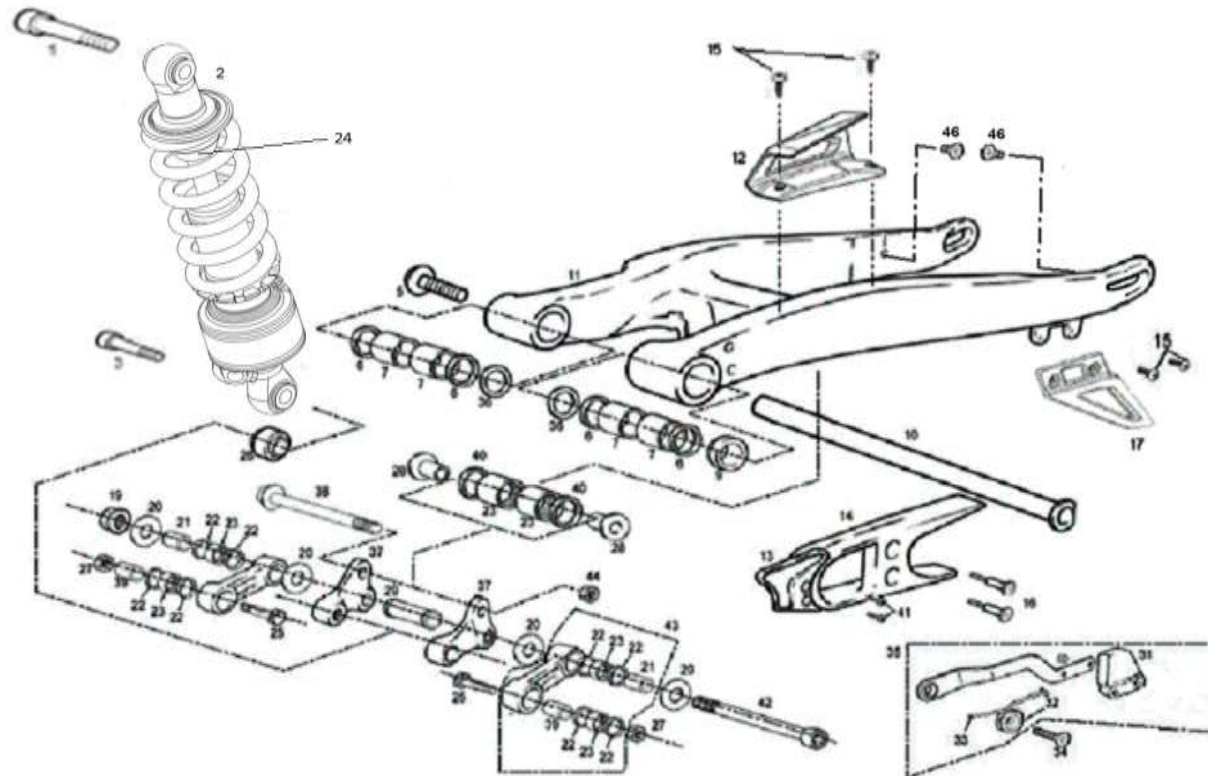


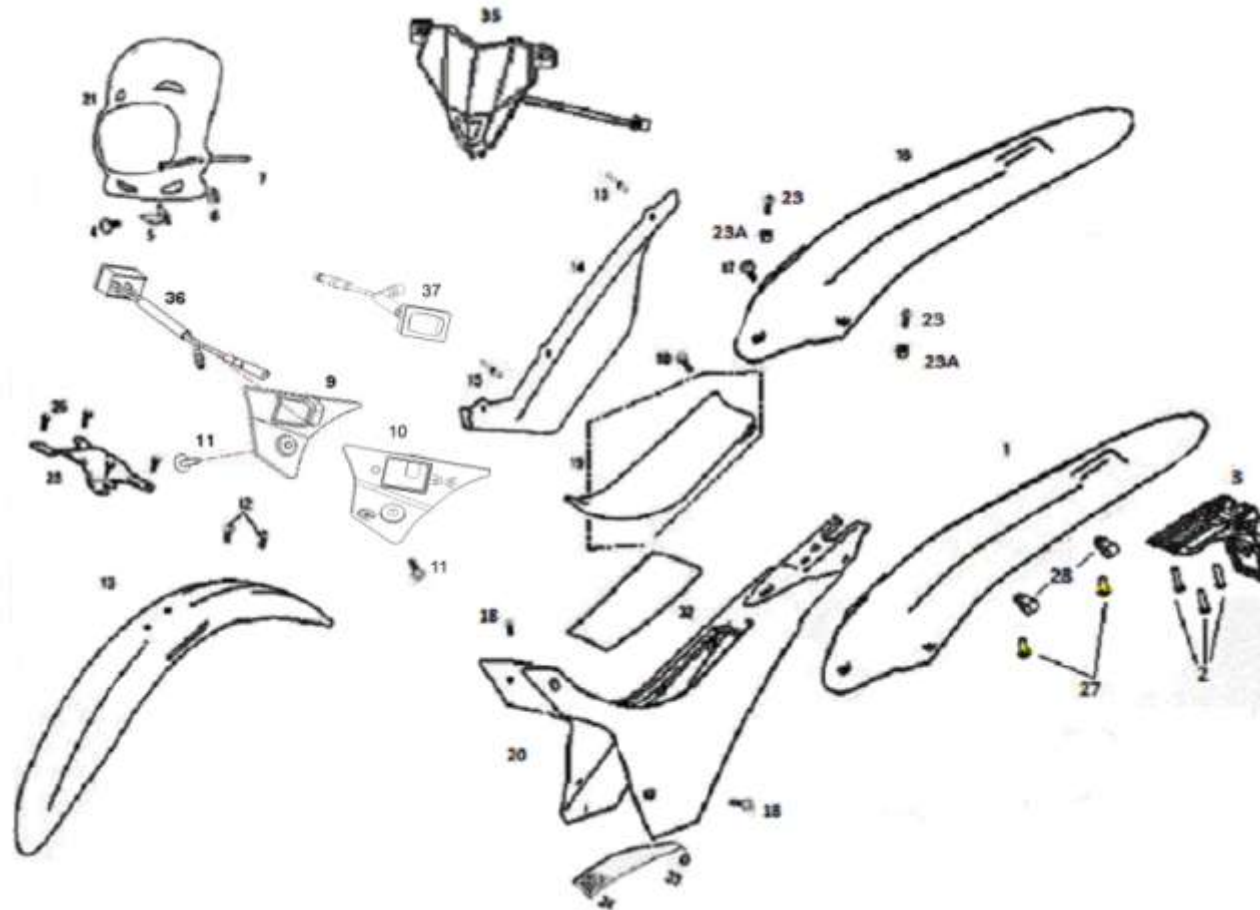


Nº	DESCRIPCION / DESCRIPTION	125 / 250 / 280 / 300	Cant.
1	ALLEN 10X63 / 10X63 ALLEN SCREW	BT35000013011	1
2	AMORTIGUADOR TRIAL / SHOCK ABSORBER	BT300023013	1
3	TORNILLO ESPECIAL / SPECIAL SCREW	T0310046	1
4	GOMA PROTECCIÓN AMORTIGUADOR TRASERO / REAR SHOCK PROTECTOR	BT280236041	1
5	TORNILLO EJE BASCULANTE TRIAL / SWING-ARM AXLE SCREW	BT280212009	1
6	RETÉN 20-26-4 870 N BASCULANTE / 20-26-4 OIL SEAL	C220001	4
7	COJINETE / BEARING	BT280212032	4
			1
9	CASQUILLO GUÍA EJE BASCULANTE / SWING-ARM AXLE BUSHING	BT280212108	1
10	EJE BASCULANTE TRIAL / SWING-ARM AXLE	BT44500R3009	1
11	BASCULANTE TRIAL / TRIAL SWING-ARM	BT400013013	1
12	CUBRECADENAS / CHAIN COVER	BT42040RA3011	1
13	PROTECTOR PIÑÓN TRIAL 2002 / PINION PROTECTOR	BT280236021	1
14	PATÍN CADENA / CHAIN GUIDE	BT280412015	1
15	ULS 5X12 / 5X12 ULS	T0505012	4
16	REMACHE CABOTA GRANDE 14X4 8X21 PATÍN / RIVET	T4505016	2
17	PROTECTOR CORONA TRIAL 2003 / SPROCKET PROTECTOR	BT57350RA3011	1
18	TORNILLO ROSCA CHAPA PHILIPS 4X38 / 4X38 PHILIPS SCREW	T0614838	2
19	TUERCA AUTOBLOCANTE / SELF-LOCKING NUT	T2110001	1
20	ARANDELA REGLAJE 10.5X26X0.5 / 10.5X26X0.5 WASHER	T4001026	4
21	CASQUILLO SUSPENSIÓN DIAM. 10 / SUSPENSION BUSHING	BT27712005	2
22	RETÉN 15X21X2 / 15X21X2 OIL SEAL	C230001	8
23	COJINETE AGUJAS 15BM2116 / NEEDLE BEARING	BT27714009	6
24	TOPE AMORTIGUADOR / SHOCK ABSORBER END OF TRAVEL	BT311003013	1
25	TORNILLO ESPECIAL BIELETA 8X38 / 8X38 SPECIAL SCREW	T0118038	2
27	TUERCA AUTOBLOCANTE M8 ALTA / SELF-LOCKING NUT	T2108002	2
28	CASQUILLO BALANCÍN 99 / ARTICULATION BUSHING	BT27914014	2
29	CASQUILLO DISTANCIADOR BALANCÍN / ARTICULATION SPACER BUSHING	BT27914016	1
31	GOMA TENSOR CADENA / TENSIONER CHAIN RUBBER	BT42010RA3010	1
32	CASQUILLO TENSOR CADENA / CHAIN TENSIONER BUSHING	B560000	1
33	MUELLE TENSOR CADENA / CHAIN TENSIONER SPRING	M122000	1
34	ALLEN CONICO 8X30 TENSOR CADENA / 8X30 CONIC ALLEN	T0408030	1

GASGAS

Chasis 4





Nº	DESCRIPCION / DESCRIPTION	125 / 250 / 280 / 300	Cant.
1	GUARDABARROS TRAS. TRIAL HOMOLOGADO SIN ADHESIVO / TRIAL REAR FENDER NO STICKER	BT935013013H	1
2	TORNILLO ROSCA PLASTICO 3.6x20	T0803020	3
3	PORTAMATRICULAS TRIAL HOMOLOGADO / TRIAL PLATE SUPPORT	BT93900RA3011	1
4	TORNILLO ULS 6X14 CON ARANDELA PLATA / ULS SCREW 6X14	T0556014	1
5	GANCHO INOXIDABLE / RUSTLESS HOOK	M130000	1
6	TUERCA CON ARANDELA M6 / M6 NUT WITH WASHER	T2206000	2
7	BRIDA UNEX / UNEX CLAMP	BE25634007	2
8	TORNILLO ROSCA-CHAPA 3X9 / 3X9 SCREW	T1003009	4
9	TAPA LATERAL DERECHA CON INTERRUPTOR CDI / RIGHT SIDE COVER WITH CDI SWITCH	BT915003013	1
10	TAPA LATERAL IZQUIERDA CON INTERRUPTOR DE LUCES / LEFT SIDE COVER WITH LIGHTS SWITCH	BT920013013	1
11	TORNILLO CHAPA 4.2X13 / SCREW 4.2X13	T0804612	2
12	ULS 5X8 / 5X8 ULS SCREW	T0505008	2
13	CTO.GUARDABARROS DELANTERO / TRIAL FRONT FENDER ASSY	BT910023013CT	1
14	PROTECTOR ESCAPE TRIAL / EXHAUST PROTECTOR	BT947002811	1
15	REMACHE ALUMINIO 4X12 CABOTA NEGRA / ALUMINIUM RIVET	T4504012N	2
16	CTO. GUARDABARROS TRAS. TRIAL / TRIAL REAR FENDER ASSY	BT935023013CT	1
17	ULS 6X16 CON ARANDELA NEGRO / 6X16 BLACK ULS WITH WASHER	T0556016	1
18	TORNILLO CONICO 6X16 INOX / INOX 6X16 CONIC SCREW	T0406016I	5
19	CTO. TAPA CAJA FILTRO TRIAL / TRIAL FILTER BOX COVER ASSY	BT942023013CT	1
20	CTO. BASE ASIENTO TRIAL / TRIAL SEAT ASSY	BT940023013CT	1
21	FARO DELANTERO TRIAL SIN ADHESIVO / TRIAL FRONT HEADLIGHT NO STICKER	BT90500RH3009	1
22	SOPORTE OPTICA FARO DELANTERO TRIAL / HEADLIGHT BRACKET	ET25000RC2808	1
23	TORNILLO ESP.DE PLASTICO NEGRO M6X12	BT35000083012	2
23A	TUERCA CUADRADA M6 INOX DIN 557	T730600000009	2
24	ADH. PROTECTOR ESCAPE AMIANTO / EXHAUST PROTECTOR STICKER	BT795502811	1
25	PUENTE HORQUILLA DELANTERA / FRONT SUSPENSION UNION	BT21500R3009	1
26	TORNILLO ESPECIAL 6X14 / 6X14 SPECIAL SCREW	T0206014	4
27	TORN ROSCA PLASTICO 3,6 X 10 ZINCADO	T36040101910B	2
28	GRAPA SUJECCION CABLE	ET750502809	2
29	TORNILLO ROSCA-CHAPA 3.5X13 / SCREW 3.5X13	T0603513	2
32	TUBO FLEXIBLE SILICONA BASE ASIENTO / SEAT BASE SILICON HOSE	BT795302811	1
33	ARANDELA 5X12X1'5 / WASHER 5X12X1'5	T4005012	1
35	CTO. FARO TXT RACING RAGA / RACING RAGA HEADLIGHT SET	BT90000243012	1
36	INTERRUPTOR CDI / CDI SWITCH	ET511903013	1
37	INTERRUPTOR LUCES RACING / RACING LIGHTS SWITCH	ET602003013	1

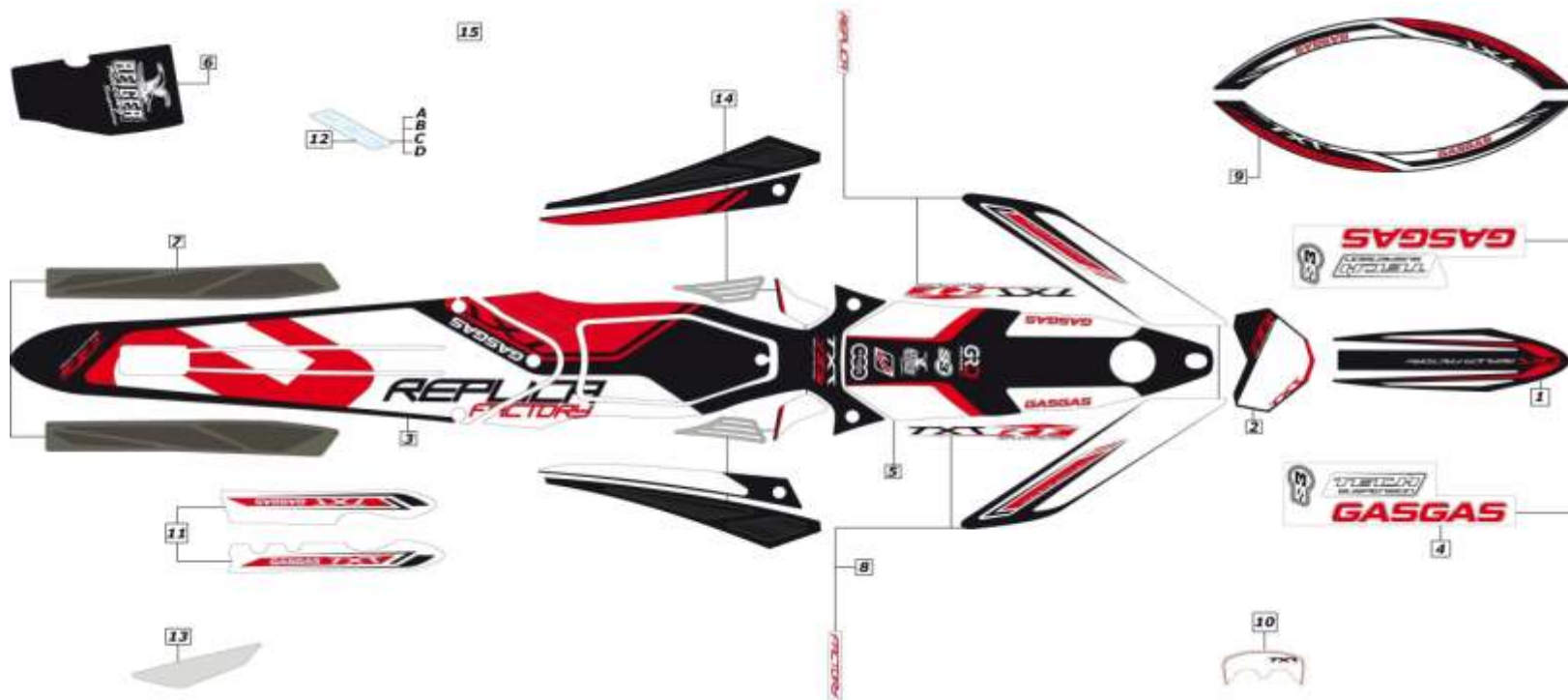
GASGAS

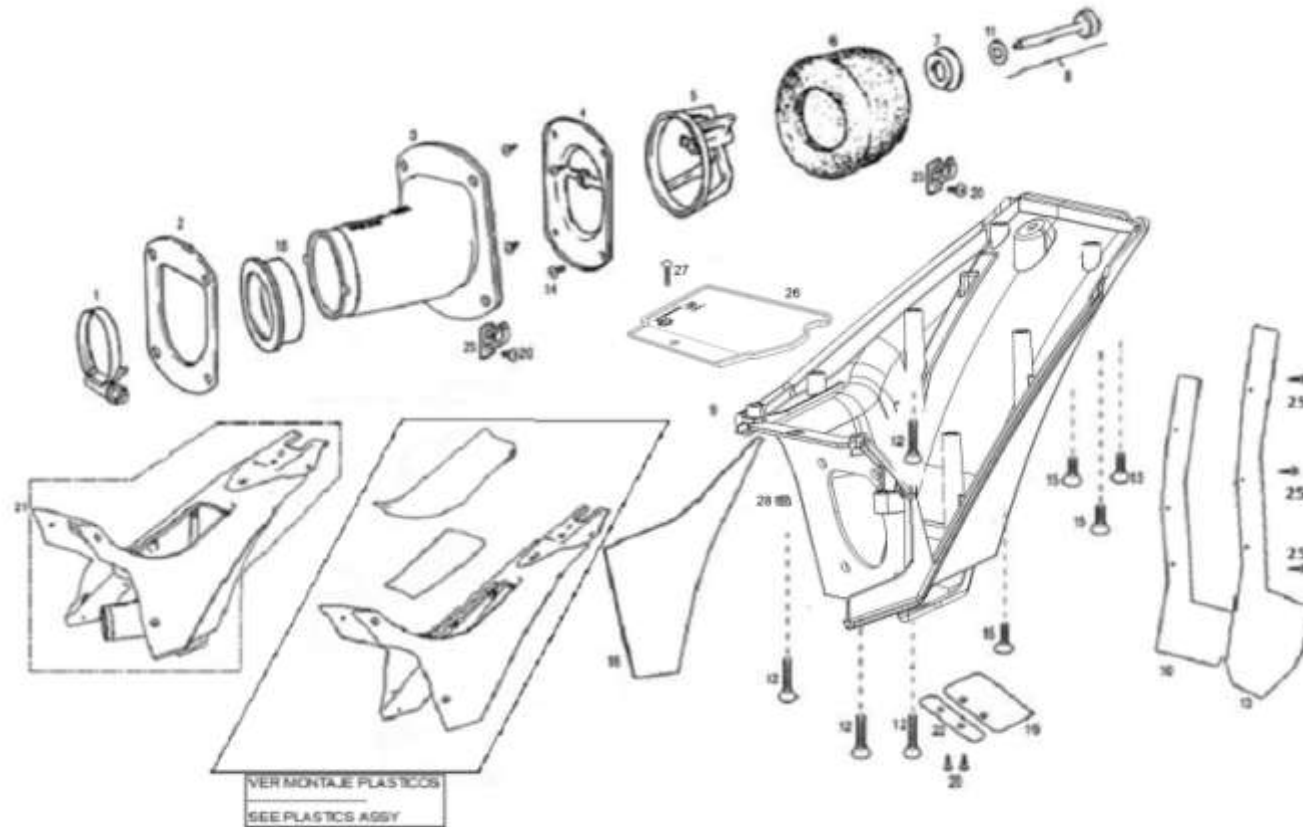
Chasis 5

**Adhesivos /
Adhesives**

GASGAS

TXT REPLICA FACTORY 2013

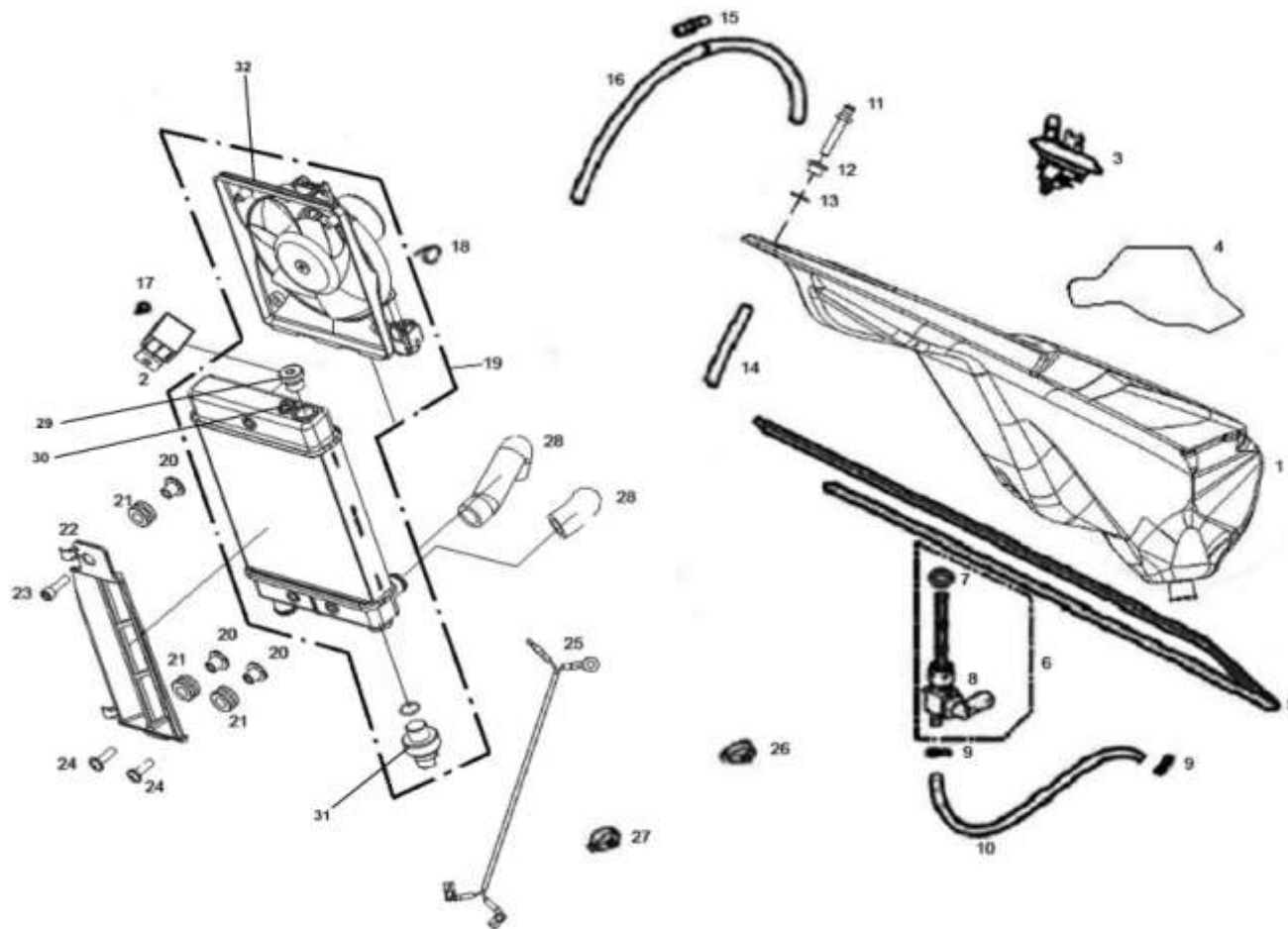




Nº	DESCRIPCION / DESCRIPTION	125	125 / 250 / 280 / 300	Cant.
1	ABRAZADERA S56/9 / CLAMP		MT280316132	1
2	PLATINA EXTERIOR SOPORTE JAULA FILTRO TRIAL 2002 / EXTERNAL PLATE		BT280228021	1
3	TOBERA CAJA FILTRO TRIAL SXXI / TUBE, AIR CLEANER CONNECT.		BT792002811	1
4	PLATINA INTERIOR SOPORTE JAULA FILTRO TRIAL 2002 / INNER PLATE		BT280228020	1
5	JAULA FILTRO AIRE TRIAL 280-2002 / AIR CLEANER CAGE		BT280228002	1
6	FILTRO AIRE TRIAL XXI / AIR CLEANER		BT280328000	1
7	TETÓN ESPUMA FILTRO TRIAL 2002 / AIR CLEANER WASHER		BT280228008	1
8	VARILLA FILTRO TRIAL 2002 / AIR CLEANER ROD		BT795202811	1
9	CAJA FILTRO TRIAL / AIR CLEANER BOX		BT790003013	1
10	AD. PROTECTOR CAJA FILTRO / AIR CLEANER PROTECTOR SITCKER		BT795502811	1
11	ARANDELA / WASHER		T4006016	1
12	TORNILLO ROSCA-CHAPA 3,5X30 / 3,5X30 SCREW THREAD		BT280228034	4
13	GOMA PROTECCIÓN CAJA FILTRO / AIR CLEANER BOX PROTECTOR RUBBER		BT795402811	1
14	ULS 4X10 NEGRO CON ABRAZADERA / ULS 4X10 BOLT		T0554010N	4
15	TORNILLO ROSCA-CHAPA 3,5X12 / 3,5X12 SCREW THREAD		BT280228035	4
16	ADH. PROTECTOR ESCAPE AMIANTO / EXHAUST PROTECTOR STICKER		BT795502811	1
18	ADAPTADOR CARBURADOR / CARBURETOR ADAPTER	BT250328040	MT300616133	1
19	VÁLVULA VACIADOR CAJA FILTRO TRIAL / TRIAL FILTER BOX VALVE		BT280428032	1
20	TORNILLO ROSCA-CHAPA 4,2X10 NEGRO / BLACK 4,2X10 SCREW		T0604210	4
21	CTO. CAJA FILTRO TRIAL PRO / PRO FILTER BOX SET		BT790023013CT	1
22	PISADOR VÁLVULA VACIADOR CAJA FILTRO / BOX VALVE SUJECTION		BT280428045	1
23	PRENSACABLES SR1789 / CABLE TIE SR1789		BT280428006	2
25	TORN. ESPECIAL PLASTICO 4X12 CELO RF87T ZINCADO		T0804012	3
26	VISERA INTERIOR CAJA FILTRO / INTERNAL AIRFILTER BOX COVER		BT798103013CT	1
27	TORNILLO ESP.6X12 CON ARANDELA Y FIJADOR INOX		BT35000073012	1
28	TUERCA ENJAULADA M6		T2006010	1

GASGAS

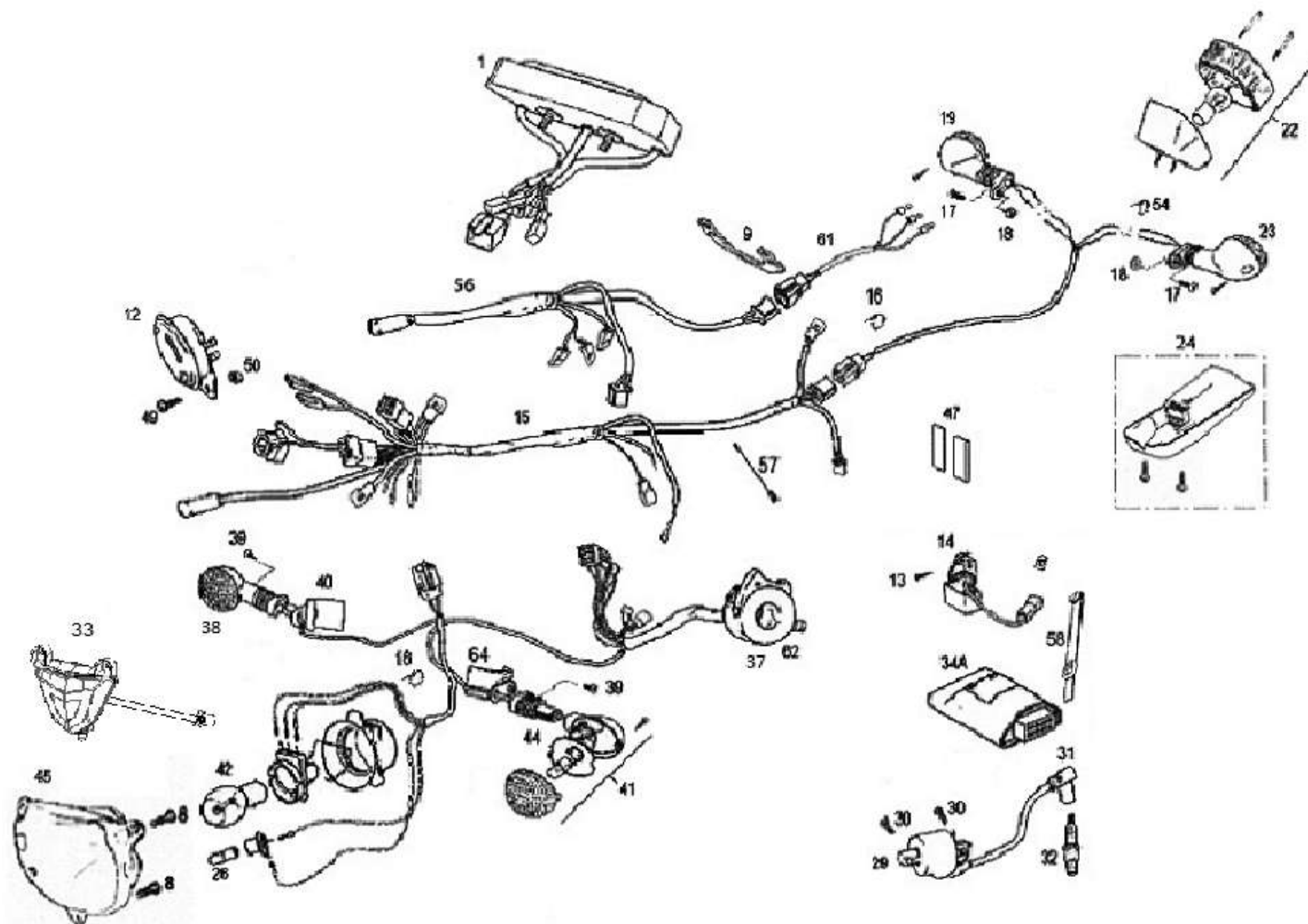
Chasis 7



Nº	DESCRIPCION / DESCRIPTION	125	250 / 280 / 300	Cant.
1	CTO.DEPOSITO GASOLINA RACING 2013 EN PLASTICO BUFADO		BT760013013CT	1
2	MODULO VENTILADOR / FUN MODULE		BT120532342	1
3	CTO.TAPON GASOLINA TRIAL		BT80000053012	1
4	PROTECTOR TERMICO DEPOSITO GASOLINA / FUEL TANK HEAT SHIELD		BT960303013	1
5	GOMA INSONORIZA DEPOSITO GASOLINA 2012		BT80000093012	1
6	GRIFO GASOLINA / FUEL VALVE		BIT50010031	1
7	ABRAZADERA COBRA D.17		BIT50010033	1
8	TUERCA GRIFO DEPÓSITO / NUT TANK TAP		BT27910132	1
9	ABRAZADERA ELÁSTICA NEGRA ALAMBRE 9.3X9.9 2016055 / SPRING CLAMP		L200036	2
10	TUBO GASOLINA TRIAL / FUEL HOSE		BT780053013	1
11	TORNILLO DESVAPORIZADOR		BT80000033012	1
12	CASQUILLO DEPOSITO TRIAL		BT761053013	1
13	ARANDELA DE GOMA Ø14.9 X Ø10 X 1.5		BT760953013	1
14	TUBO DESVAPORIZADOR TAPON GASOLINA COMPLEMENTARIO		BT80000063012	1
15	VÁLVULA DESVAP. DEPÓSITO / UNSTEAMER VALVE		BT27836025	1
16	CTO.TUBO DESVAPORIZADOR GASOLINA RAGA 2012		BT80000073012	1
17	TORNILLO ROSCA CHAPA CON ARANDELA / SCREW THREAD WITH WASHER		T0604210	1
18	BRIDA UNEX CORTA 2.5X98 / UNEX CALMP		BE25634010	1
19	CONJUNTO RADIADOR		BT700013013CT	1
20	CASQUILLO RADIADOR		BT700903013	3
21	GOMA SILENTBLOCK		G220000	3
22	PROTECTOR RADIADOR		BT730502809	1
23	TORNILLO ALLEN M6x30		T0306030	1
24	TORNILLO ULS ALLEN CON ARANDELA M6x25		T0556020	2
25	CABLE ELECTRICO TERMOCONTACTO VENTILADOR		ET701053013	1
26	ABRAZADERA COBRA DE 22		L200038	1
27	ABRAZADERA COBRE DE 23		L200041	1
28	TUBO RADIADOR A CULATA	BT710501213	BT710503013	1
29	TAPON DE LLENADO RADIADOR		BT701503013	1
30	VALVULA DE PRESION		BT701553013	1
31	TERMOCONTACTO		BT720103013	1
32	ELECTROVENTILADOR		BT720003013	1

GASGAS

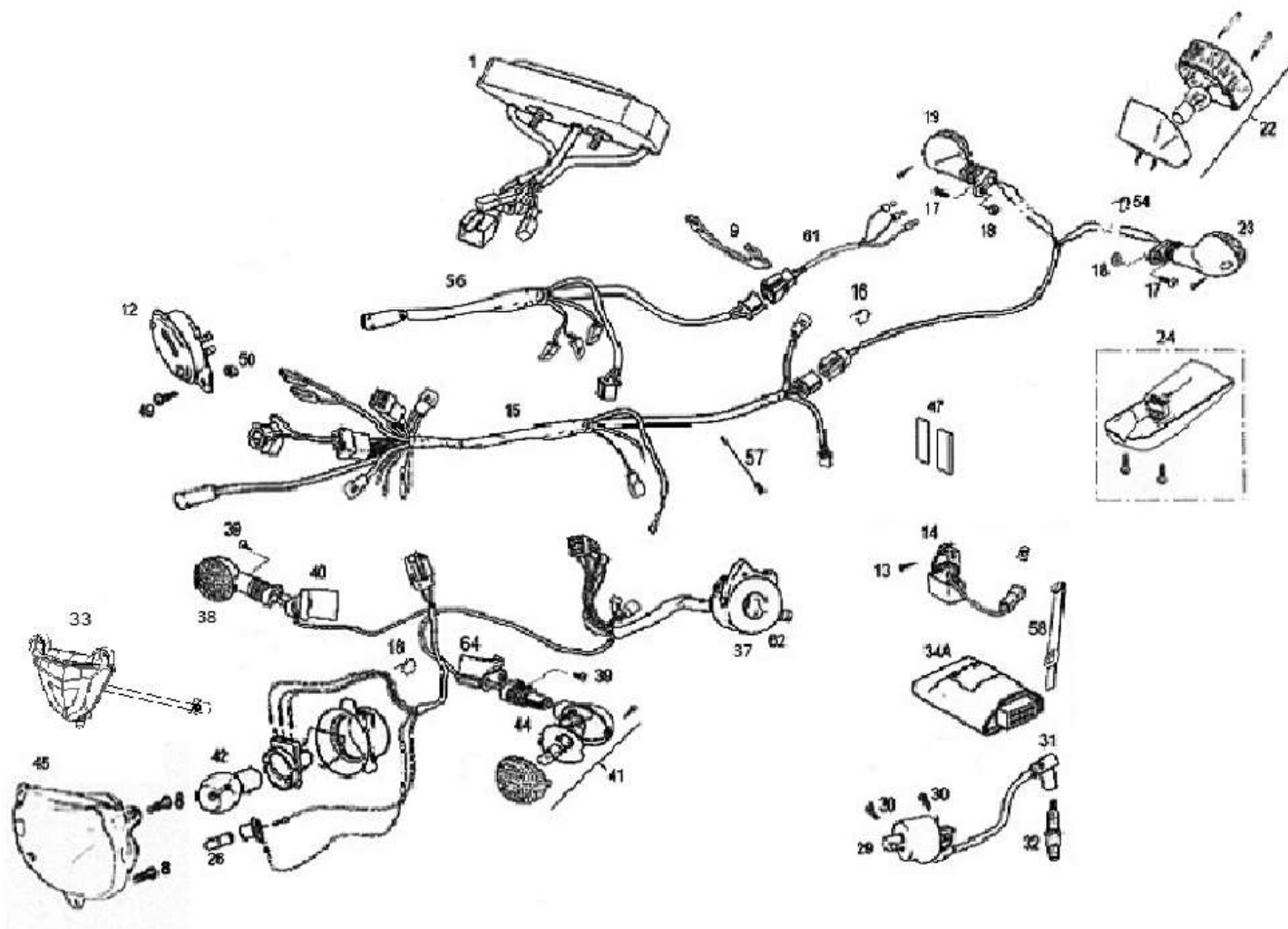
Chasis 8

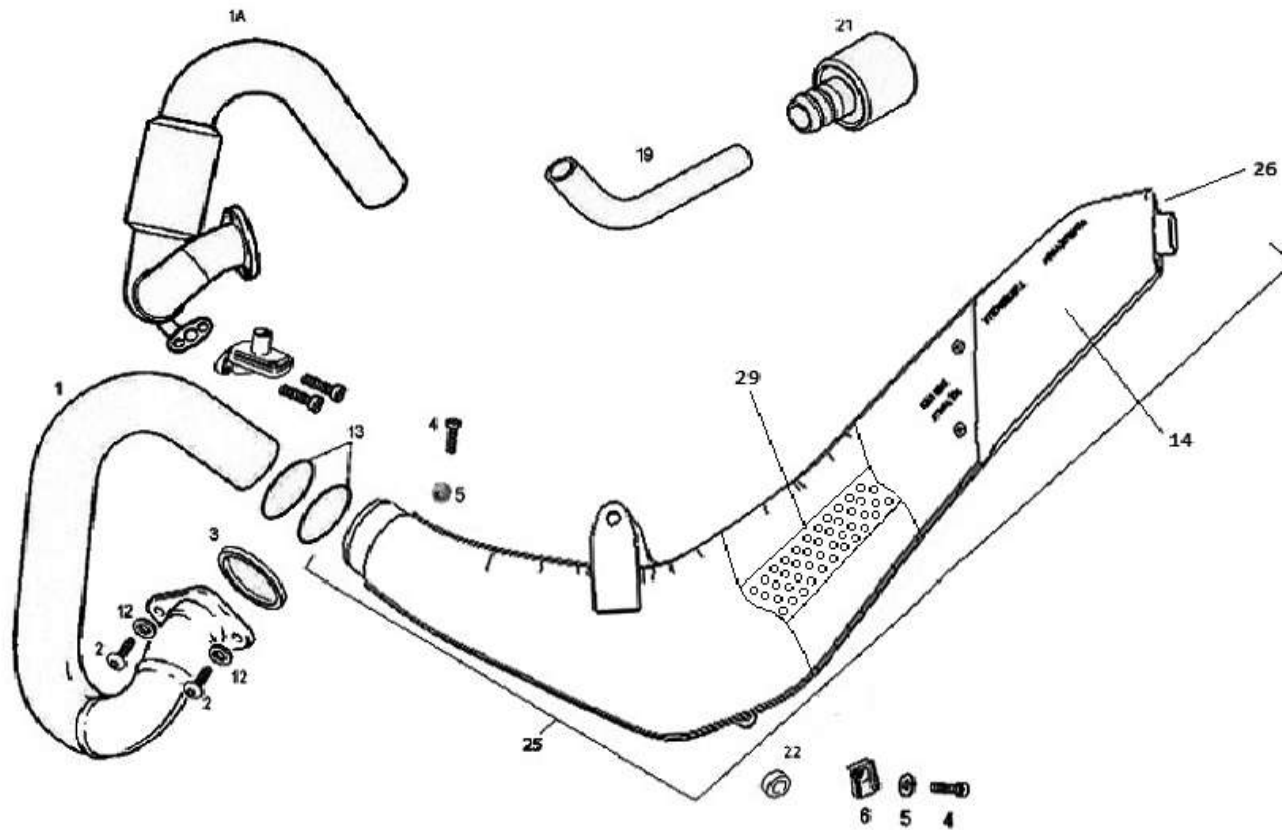


Nº	DESCRIPCION / DESCRIPTION	125	250	280	300	125 / 250 / 280 / 300	Cant.
1	MULTIFUNCIÓN TRIAL / TRIAL MULTIFUNCTION					ET600002808	1
7	BOMBILLA 12V 1,2-9W / 12V 1,2-9W BULB					L300123	3
9	SOPORTE CUENTA KM. / KM. COUNTER SUPPORT					BT280634045	1
12	CTO. CLAXON PE40065G11 / HORN ASSY					L300105	1
13	TORNILLO ESPECIAL 6X14 / 6X14 SPECIAL SCREW					T0206014	1
14	REGULADOR ALTERNADOR / ALTERNATOR REGULATOR					L300031	1
15	INSTALACIÓN TRIAL / TRIAL INSTALLATION					ET10000RC2808	1
15A	INSTALACIÓN HOMOLOGADA / HOMOLOGATED INSTALLATION					ET10000003012	1
16	BRIDA UNEX MEDIANA / UNEX CLAMP					BE25634009	3
17	ULS 6X16 NEGRO / 6X16 ULS BLACK BOLT					T0506016N	2
18	TUERCA CON ARANDELA M6 / M6 NUT WITH WASHER					T2206000	2
19	INTERMITENTE DERECHO TRASERO / RIGHT REAR INDICATOR					BT280634018	1
22	FARO PILOTO TRIAL HOMOLOGADO / HOMOL. TRIAL REAR LIGHT SET					BP27534015	1
23	INTERMITENTE IZQUIERDO TRASERO / LEFT REAR INDICATOR					BT280634019	1
24	FARO PILOTO TRIAL / TRIAL REAR LIGHT SET					ET30000CT2811	1
25	TORNILLO ROSCA CHAPA 3.5X13 / BOLT 3.5X13					T0603513	3
26	LÁMPARA 12V3W BIFARO AM0518 / 12V 3W LAMP					L300119	1
27	TIRA ADHESIVA 45MM. CAJA FILTRO EC2003 / STICKER 45MM.					BE250328039	2
29	BOBINA / ELECTRIC COIL	ET500002809	ET500002809	ET500002809	ET500002809	-----	1
30	ALLEN 6X16 / ALLEN 6X16 BOLT					T0306016	3
31	PIPA BUJÍA IB05EMH = BT27934000 / SPARK PLUG					BT25934000	1
32	BUJÍA BPR5ES / SPARK PLUG					M04012000	1
33	CTO. FARO RACING RAGA LED'S					BT900000123011	1
34A	CDI DIGITAL / DIGITAL CDI	MT280534007	EE511002513	EE511003013	EE511003013	-----	1
37	CONMUTADOR LUZ TT-97 / LIGHT SWITCH					ET10000013012	1
38	INTERMITENTE DERECHO DELANTERO / FRONT RIGHT INDICATOR					BT28063401812	1
39	TORNILLO PHILIPS ROSCA-CHAPA 6.3x16 NEGRO / 6.3X16 CLACK SCREW					T0706316	2
40	SOPORTE INTERMITENTE DELANTERO / FRONT INDICATOR SUPPORT					BE250134017	2

GASGAS

Chasis 9

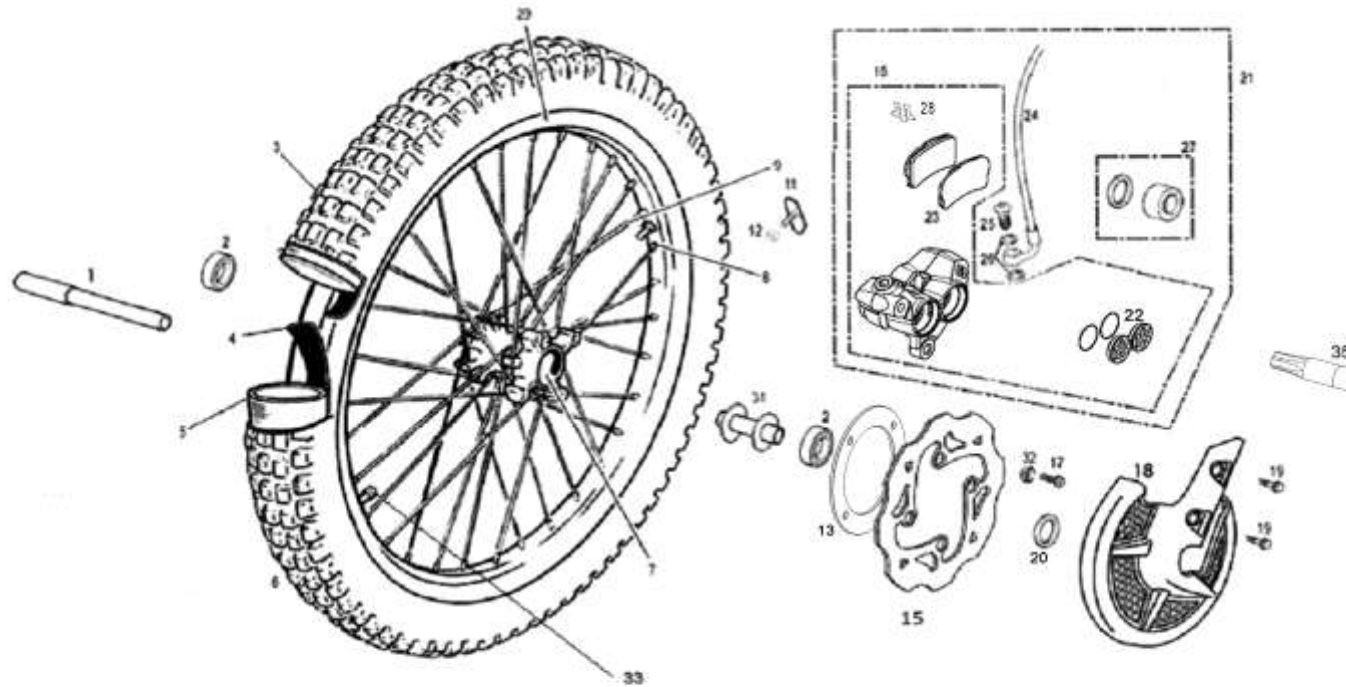




**Rueda delantera /
Front Wheel**

GASGAS

TXT REPLICAS FACTORY 2013



Nº	DESCRIPCION / DESCRIPTION	125 / 250 / 280 / 300	Cant.
1	EJE RUEDA DELANTERA TRIAL PRO 2004 / FRONT WHEEL AXLE	BT50000043012	1
2	COJINETE / BEARING	C160001	2
3	CUBIERTA DELANTERA 2.75X21 / FRONT TYRE	BT501002810	1
4	GOMA PROTECTOR R14025 2.75X21 REF. 554350 / FRONT FLAP TYRE	N100000	1
5	CÁMARA DELANTERA 2.75X21 REF. 450905 / FRONT TUBE	N120000	1
6	RUEDA DELANTERA TRIAL PRO / PRO FRONT WHEEL	BT500013013CT	1
7	CUBO RUEDA DELANTERA TRIAL / FRONT HUB WHEEL	BT541103013	1
8	TUERCA RADIOS 3MM. RUEDA DELANTERA DIA. 6.5 / SPOKE NUT	BT27718001	32
9	RADIO 3X257 RUEDA DELANTERA TRIAL NEGRO / BLACK FRONT WHEEL SPOKE	BT54200N2809	32
11	AGARRE CUBIERTA / TYRE CLAMP	BE25618027	1
12	TUERCA CON ARANDELA ESTRIADA M8 ZINCADA / NUT WITH WASHER	BE25818060	1
13	ARO SEPARADOR DISCO FRENO DELANTERO / FRONT BRAKE DISC SPACER	BT520303013	1
15	DISCO FRENO DELANTERO / FRONT BRAKE DISK	BT520003013	1
16	PINZA FRENO DELANTERO / FRONT BRAKE CALIPER	BT620003013	1
17	HEXAGONAL M8 CON ARANDELA / M8 HEXAGONAL SCREW WITH WASHER	T0206020	4
18	PROTECTOR DISCO FRENO / FRONT BRAKE DISK PROTECTOR	BT94100RB3009	1
19	TORNILLO PINZA FRENO DELANTERA INFERIOR 8X1.25X36.5 / SCREW	BT280022071	2
20	SEPARADOR EJE RUEDA DELANTERA / FRONT WHEEL AXIS SPACER	BT520313013	1
21	CTO. FRENO DELANTERO TRIAL / FRONT BRAKE SET	BT600013013	1
22	TAPONES PINZA FRENO DELANTERO	BT620303013	2
23	KIT PASTILLAS FRENO DELANTERA / FRONT BRAKE PAD KIT	BT625003013	1
24	LATIGUILLO FRENO DELANTERO / FRONT BRAKE TUBE	BT611003013	1
25	SANGRADOR FRENO DELANTERO D8 / HOSE SCREW	BT612002811	1
26	ARANDELA PLANA COBRE 10.25X14X1.4 / 10.25X14X1.4 WASHER	BT27922072	2
27	KIT REPARACION PINZA FRENO DEL. / FRONT BLAKE CALIPER SET	BT620153013	1
28	CLIP PINZA DELANTERA / FRONT CALIPER SPRING	BT620203013	1
29	LLANTA DELANTERA COLOR NEGRO /BLACK COLOUR FRONT WHEEL RIM	BT50000003012	1
31	CASQUILLO INTERIOR BUJE / BUSHING	BT280418051	1
32	DISTANCIADOR DISCO FLOTANTE / WASHER FLOATING DISC	BT27918019	4
33	JUEGO TAPONES SILICONA VALVULA TRIAL ROJOS	BT555002808R	1
34	CTO. LLANTA DELANTERA RADIADA NEGRA	BT540013013CT	1
35	LLAVE TORX T100 / TORX TOOL T100	RP600013013	1

GASGAS Chasis 11

Nº	DESCRIPCION / DESCRIPTION	125 / 250 / 280 / 300	Cant.
1	BRIDA UNEX CORTA 2221-0 2.5X98 / O 2.5X98 / CABLE TIES 2.5X98	BE25634010	1
2	CASQUILLO CENTRADOR PINZA / CENTERING BOLT	BT671153013	1
3	CHAVETA SUJECIÓN PASTILLA / KEY SPACER BRAKE PADS	R250000	1
4	PINZA FRENO TRASERA / CALIPER BRAKE REAR	BT670013013	1
5	TORNILLO LATERAL BOMBA FRENO TRASERO / BOLT PRESSURE HOSE	R320000	1
6	ARANDELA AL. 10X14X1.5 / WASHER 10X14X1.5	BT280422007	2
7	KIT REPARACIÓN PINZA FRENO / REPAIR KIT BRAKE PAD	BT280222202	1
8	RACOR LATIG. FRE. TRAS. M10X1 TITANIO	BT280522006	1
9	LATIGUILLO FRENO TRASERO / REAR BRAKE HOSE	BT661003013	1
10	REENVÍO / HALL SENSOR	BT280634050	1
11	TORNILLO 6X25 / 6X25 BOLT	T0206025	1
12	CASQUILLO SEPARADOR FRENO TRASERA / REAR BRAKE PUMP SPACER	BT280226240	1
13	TUERCA CON ARANDELA M6 (DIN 6923) ESTRIADA / M6 NUT WITH WASHER	T2206000	2
14	TORNILLO ESPECIAL 6X14 / 6X14 SPECIAL SCREW	T0206014	1
15	RACOR LATIGUILLO BOMBA FRENO D8	BT662002811	1
16	BOMBA FRENO TRASERO / REAR BRAKE PUMP	BT660002811	1
17	VARILLA FRENO TRASERA TRIAL 2002 / BRAKE ROD	BT280222062	1
18	RACOR SENSOR FRENO TRASERO	BT662052811	1
20	ARANDELA PLANA 6X12X1.5 / WASHER 6X12X1.5	T4006012	1
22	RÓTULA PEDAL FRENO / BRAKE PEDAL BALL-AND-SOCKET JOINT	BT280222053	1
23	CASQUILLO SEPARADOR 390.80.221 / BUSHING	BT280218052	1
24	CTO. PEDAL FRENO TRASERO / REAR BRAKE PEDAL SET	BT13000CT2809	1
25	REMACHE PUNTERA PEDAL FRENO / BRAKE PEDAL END RIVET	BE25922018	1
26	MUELLE PUNTERA PEDAL / SPRING PEDAL, END GEAR CLEVER	ME25636029	1
27	PUNTERA PEDAL FRENO / TOE PEDAL BRAKE	BT27922017	2
28	ENGANCHE CADENA REGINA 520 RXL / CHAIN SPLIT LINK	BT05000043012	1
29	GLACIER PEDAL FRENO 1215PD10 / GLACIER BRAKE PEDAL	C200101	1
30	CASQUILLO TORNILLO PEDAL FRENO TRIAL / SCREW BUSHING	BT280610302	1
31	ARANDELA RACOR D8X12X1.5	BT662102811	2
32	GRAPA SUJECION SENSOR CTA. KM.	BT280634053	1
33	TORNILLO ALLEN CONICO M8x45 / TAPERED ALLEN SCREW M8x45	T0408045	1

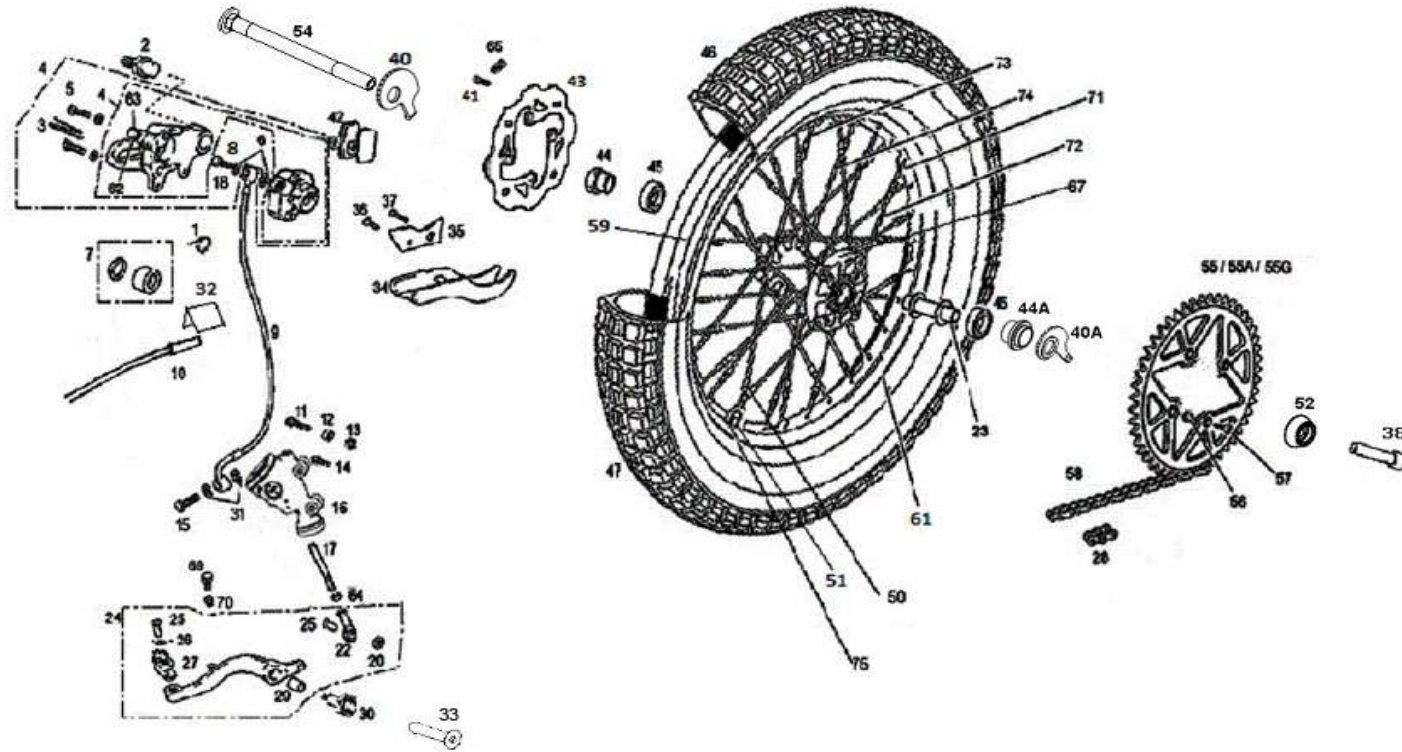
GASGAS Chasis 12

Nº	DESCRIPCION / DESCRIPTION	125	125 / 250 / 280 / 300	Cant.
34	PROTECTOR DISCO TRASERO 2001 / BRAKE DISC PROTECTOR		BT57050R3009	1
35	SOPORTE PROTECTOR DISCO TRASERO / BRAKE DISC PROTECTOR SUPPORT		BT280222051	1
36	ULS 5X12 / 5X12 ULS		T0505012	1
37	TORNILLO ULS 6X20 / 6X20 ULS BOLT		T0506020	1
38	TORNILLO EJE RUEDA TRASERA / REAR WHEEL AXLE BOLT		BT280718023	2
39	ARANDELA EJE TRASERO 17X30X1,5 DIN 137 / REAR WASHER		BT280436014	1
40	EXCÉNTRICA TRASERA LADO DISCO / REAR SAIL CAM ADJUSTER DISC SIDE		BT581313013	1
40A	EXCENTRICA TRASERA LADO CORONA		BT581353013	1
41	TORNILLO 6X18 / 6X18 SCREW		T0206020	4
42	PASTILLA FRENO TRASERA / REAR BRAKE PADS		BT280222068	2
43	DISCO FRENO TRASERO TRIAL / REAR BRAKE DISK		BT570003013	1
44	DISTANCIADOR RUEDA TRASERA 7.5MM / REAR SPACER WHEEL		BT58100R3009	1
44A	DISTANCIADOR RUEDA TRAS.LADO CORONA / CROWN SIDE REAR WHEEL SPACER		BT581103013	1
45	COJINETE 6004 / BEARING		C160001	2
46	CUBIERTA TRASERA 400X18 TBLS / REAR WHEEL TYRE		BT551002810	1
47	RUEDA TRASERA TRIAL / TRIAL REAR WHEEL		BT550013013CT	1
50	TENSOR RADIO / SPOKE NUT		BT592032809	32
51	VÁLVULA / AIR VALVE		N200110	1
52	CASQUILLO TORNILLO EJE RUEDA TRASERA / REAR WHEEL AXLE CAP SCREW		BT581203013	1
54	EJE RUEDA TRASERA / REAR WHEEL AXLE		BT580003013	1
55	CORONA TITANIO Z41 / SPROCKET TITANIUM Z41	BT573001213		1
55A	CORONA TITANIO Z42 / SPROCKET TITANIUM Z42		BT573013013	1
55G	CORONA COLOR TITANIO Z48 CEX	BT573021213		1
56	TUERCA AUTOBLOCANTE M8 BAJA / LOW SELF-LOCK NUT		T2108001	4
57	ULS 8X20 PLAT. PROT. / 8X20 ULS		T0508022	4
58	CADENA TRIAL / TRIAL CHAIN	BT578011213	BT05000013012	1
58a	CADENA HOMOLOGADA / HOMOLOGATED CHAIN	BT578001213		1

**Rueda trasera /
Rear wheel**

GASGAS

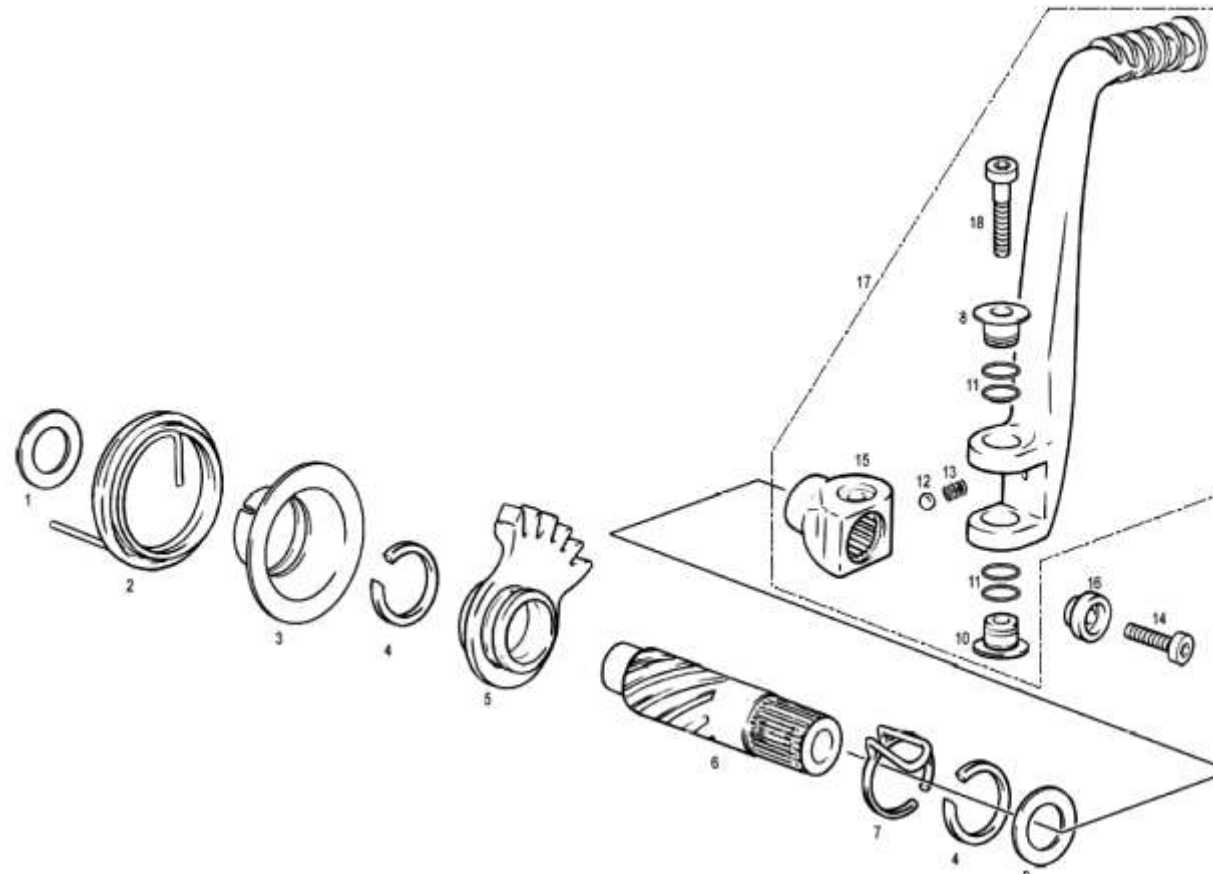
TXT REPLICAS FACTORY 2013

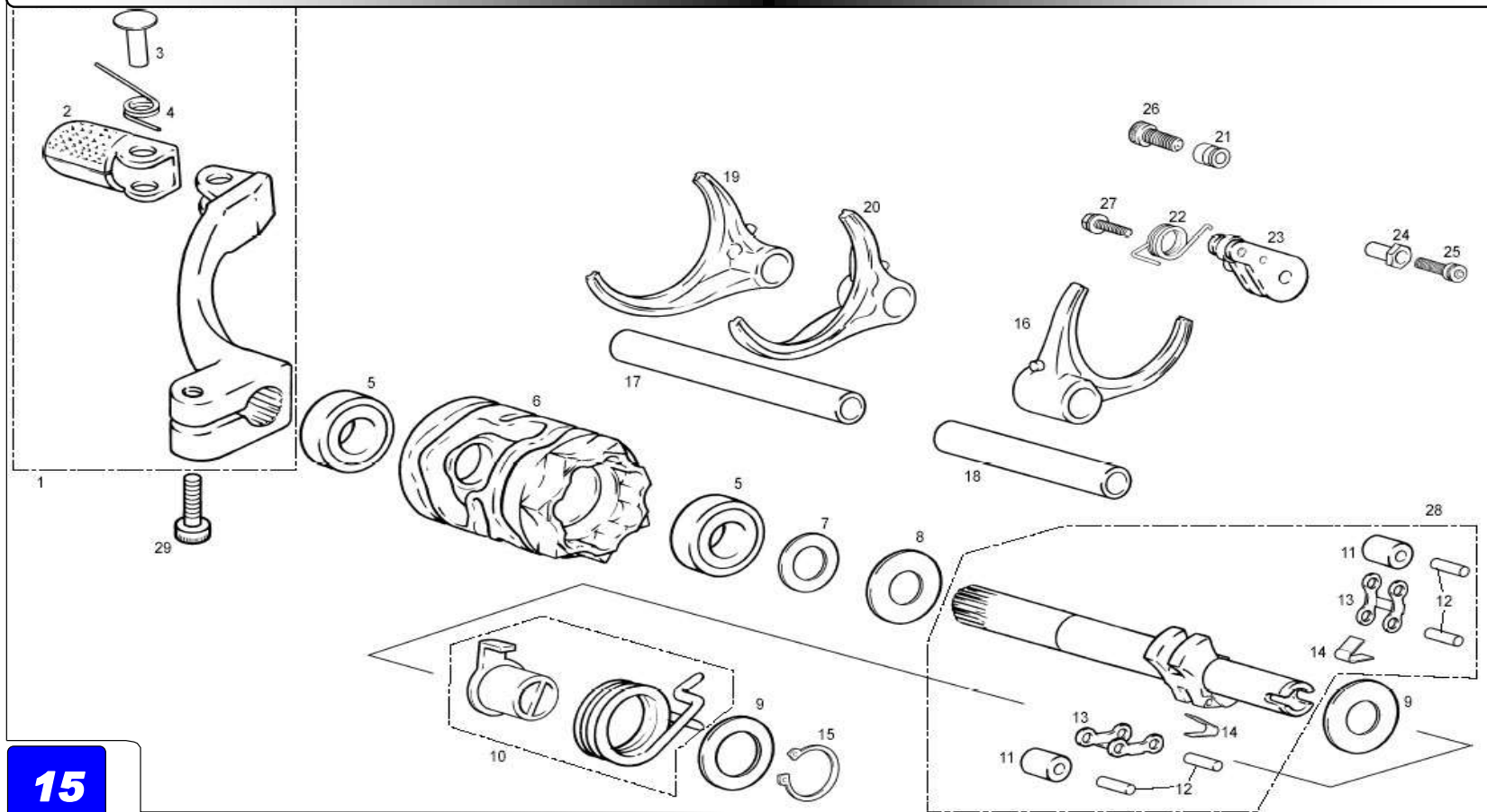


**Conjunto pedal arranque
| Kickstar set Rear**

GASGAS

TXT REPLICA FACTORY 2013

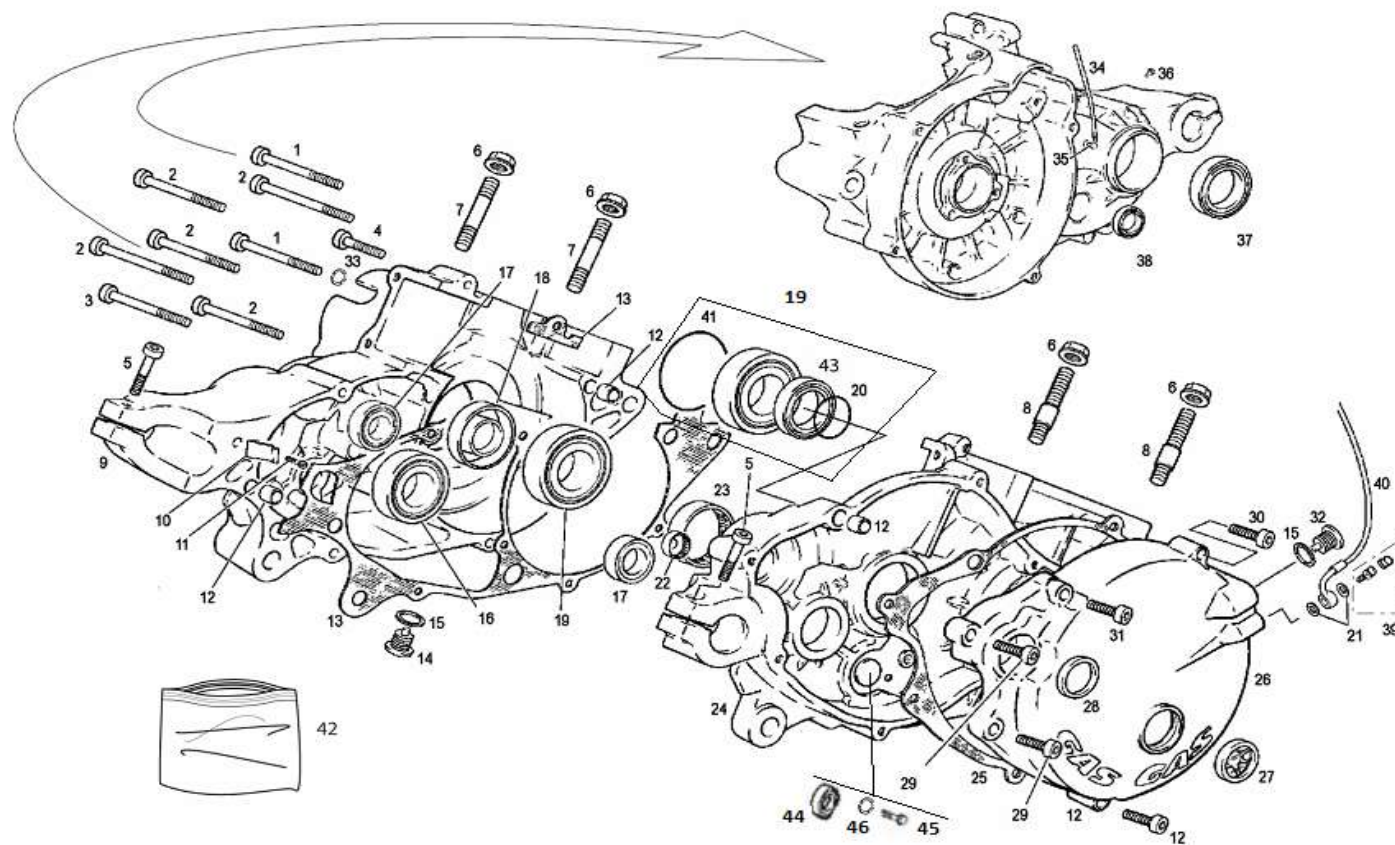




Nº	DESCRIPCION / DESCRIPTION	125 / 280 / 300	Cant.
1	CTO. PEDAL CAMBIO / GEAR PEDAL COMPLETE	MT280238026	1
2	PUNTERA PEDAL CAMBIO / GEAR PEDAL END	ME25636027	1
3	REMACHE PUNTERA CAMBIO / RIVOT PEDAL END	ME25636030	1
4	MUELLE PUNTERA PEDAL CAMBIO / PEDAL END SPRING	M121000	1
5	COJINETE 12X24X6 2Z DESMO / 12X24X6 2Z DESMO BEARING	MT280238032	2
6	DESMODRÓMICO / SHIFT DRUM	MT280238031	1
7	ARANDELA 12,2X18X0,5 / 12,2X18X0,5 WASHER	T4001218	1
8	ARANDELA 12,2X24X0,5 / 12,2X24X0,5 WASHER	T4001224	1
9	ARANDELA 10,2X24X0,5 / 10,2X24X0,5 WASHER	T4011024	2
10	POSICIONADOR Y MUELLE EJE SELECTOR / SHIFT SHAFT CENTER LOCATOR AND SPRING	MT280238037CT	1
11	RODILLO TRINQUETE SELECTOR / RATCHET ROLLER	MT280238040	2
12	AGUJA 3X13,8 / 3X13,8 NEEDLE	MT280238048	4
13	TRINQUETE SELECTOR / RATCHET ARM SELECTOR	MT280238036	2
14	MUELLE TRINQUETE SELECTOR / RATCHET SEL. SPRING	MT280238039	2
15	CIRCLIP E10 EJE / E10 SHAFT CIRCLIP	M03314011	1
16	HORQUILLA PRIMARIA / SHIFT FORK PRIMARY	MT280238009	1
17	EJE HORQUILLA LARGO / LONG FORK SHAFT	MT280238044	1
18	EJE HORQUILLA CORTO / SHORT FORK SHAFT	MT280238045	1
19	HORQUILLA 2-4-5-6 / 2-4-5-6 FORK	MT280238007	1
20	HORQUILLA 1-3 / 1-3 FORK	MT280238008	1
21	TOPE MUELLE FIJADOR / SPRING REST POST	MT280238049	1
22	MUELLE FIJADOR MARCHAS / GEAR SELECTOR SPRING	MT280238034	1
23	FIJADOR MARCHAS / GEAR SELECTOR ARM AND ROLLER	MT280238033	1
24	TOPE MUELLE EJE SELECTOR / SELECTOR SPRING TOP SHAFT	MT280238050	1
25	ALLEN 5X25 DACROMET / 5X25 DACROMET ALLEN BOLT	T0305025	1
26	ALLEN 5X20 / 5X20 ALLEN	T0305020	1
27	HEXAGONAL 5X25 CON ARANDELA / HEXAGONAL BOLT WITH WASHER	BT280010086	1
28	CONJUNTO EJE SELCTOR / SHIFT SHAFT SET	MT280238043	1
29	ALLEN 5X15 / 5X15 ALLEN	T0305015	1

GASGAS

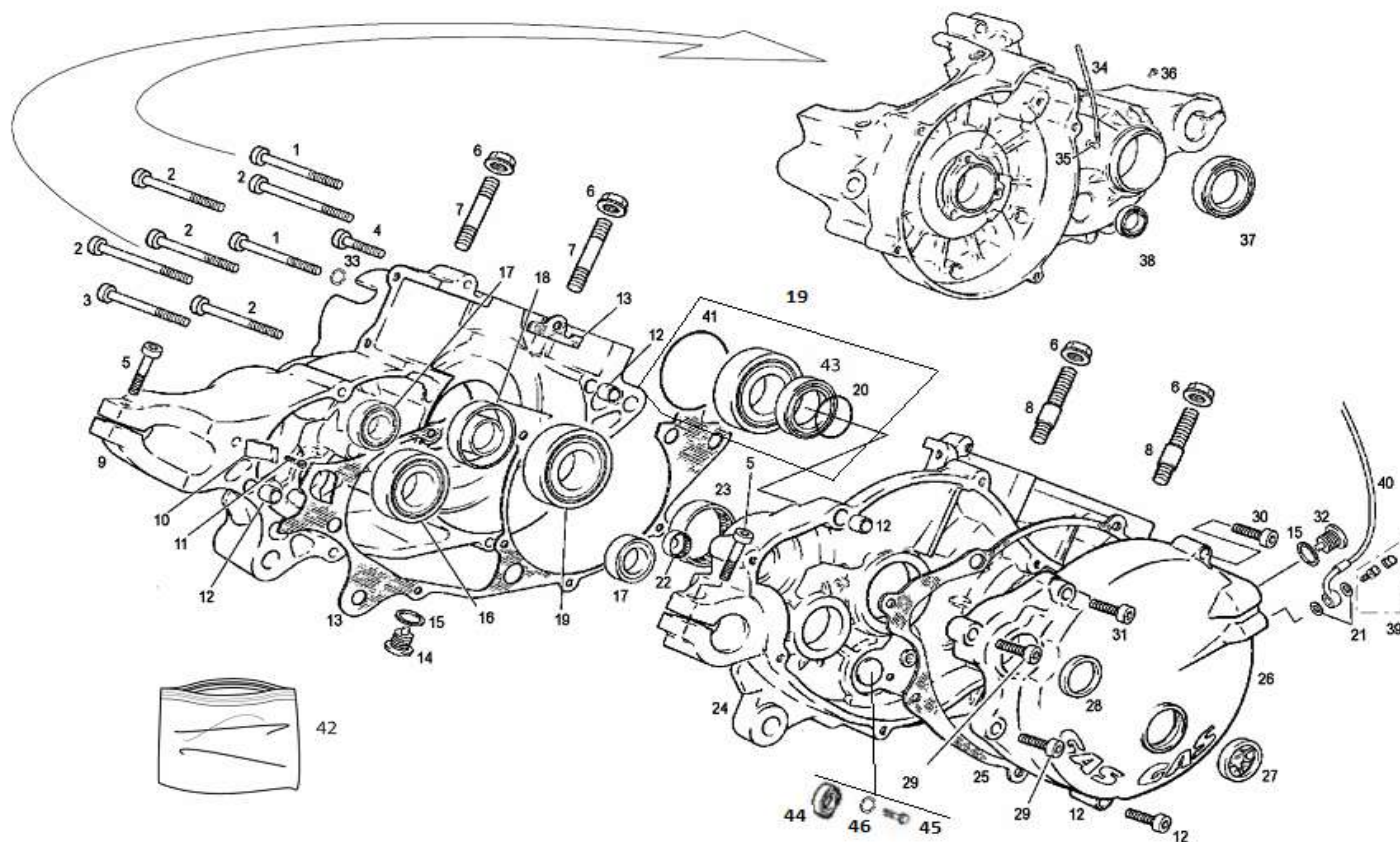
Motor 2

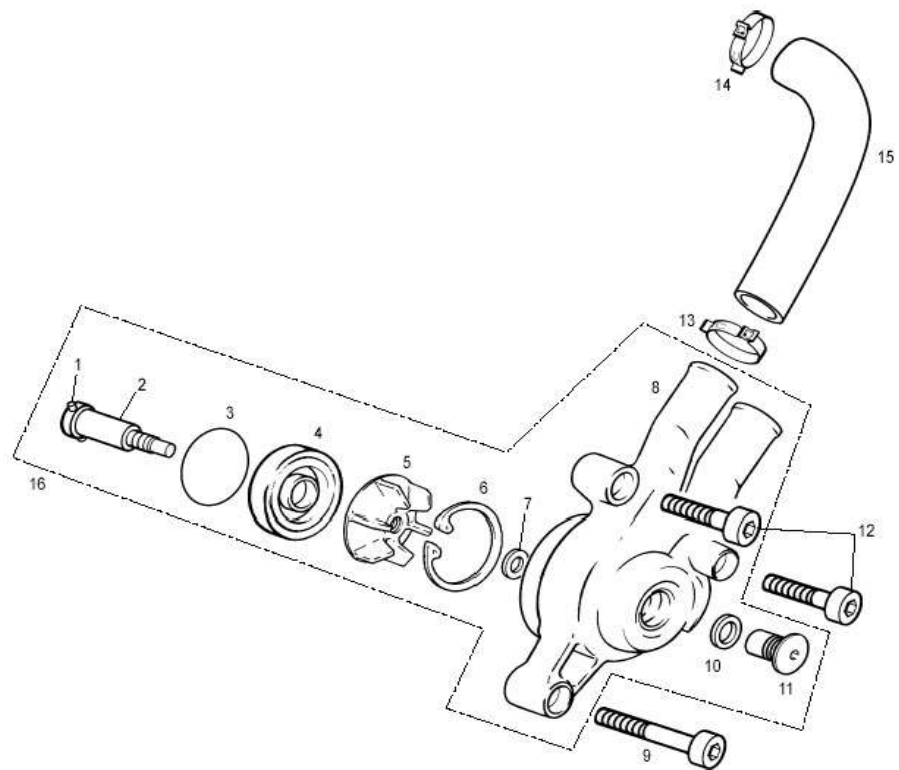


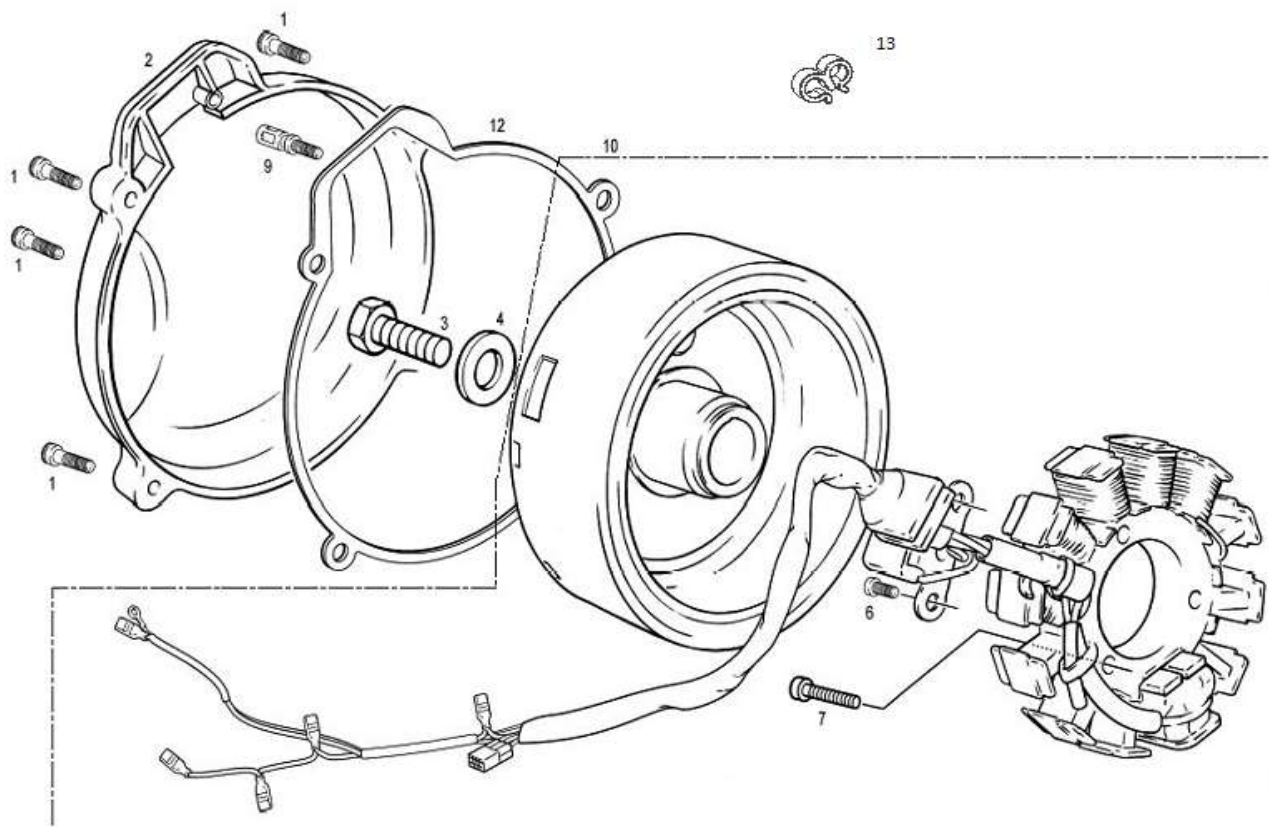
Nº	DESCRIPCION / DESCRIPTION	125	280 / 300	Cant.
1	ALLEN 5X65 ZINCADO NEGRO / 5X65 BLACK ALLEN BOLT		T0315065	2
2	ALLEN 5X55 ZINCADO NEGRO / 5X55 BLACK ALLEN BOLT		T0305055	5
3	ALLEN 5X75 ZINCADO NEGRO / 5X75 BLACK ALLEN BOLT		T0315075	1
4	ALLEN 5X35 DACROMET / 5X35 DACROMET ALLEN BOLT		T0305035	1
5	ALLEN 5X20 DACROMET / 5X20 DACROMET ALLEN BOLT		T0305020	2
6	TUERCA CILINDRO 8.8 ESP / CILINDER NUT		M01613001	4
7	ESPÁRRAGO CILINDRO / BASE STUD CYLINDER LEFT		MT280216023	2
8	ESPÁRRAGO CON CENTRAJE / BASE STUD CYLINDER RIGHT		MT280216056	2
9	CÁRTER IZQUIERDO TRIAL / LEFT CRANKCASE HALF		MT110003013	1
10	TOPE ARRANQUE TRIAL / STOP KICKSTART PEDAL		MT280226011	1
11	ALLEN 5X15 DACROMET / 5X15 DACROMET ALLEN BOLT		T0305015	1
12	CASQUILLO CENTRADOR CÁRTER 6X9X14 / CRANKCASE BUSHING		M01017000	4
13	JUNTA CÁRTER CENTRAL 0.2 MM / CENTER CRANKCASE GASKET		MT280344001	1
14	TAPÓN VACIADO ACEITE CON IMÁN / MAGNETIC OIL DRAIN PLUG		ME25610017	1
15	ARANDELA TIPO BUJÍA 12X18X2 / WASHER		MT280410030	2
16	COJINETE 25X47X12 / 25X47X12 / BEARING		MT280236159	1
17	COJINETE 15X32X9 6002 2RSL CAMBIO / BEARING GEAR		MT280236160	2
18	RETÉN 25X35X7 TEFLÓN CIGUEÑAL IZQUIERDO / OIL SEAL CRANK SHAFT		MT280212009	1
19	COJINETE CIGUEÑAL ST5225 / ST5225 CRANKSHAFT BEARING		MT31000CT2811	2
20	TÓRICA 25X1.5 NBR / O'RING		MT280212025	2
21	ARANDELA AM 10X14X1.5 / WASHER		BT280422007	2
22	COJINETE BK1412 ARRANQUE TRIAL / KICKSTART BEARING		MT280226067	1
23	COJINETE 35X45X12 NQ (EJE PRIMARIO) / 35X45X12 BEARING		MT280236158	1
24	CÁRTER DERECHO TRIAL / RIGHT CRANKCASE		MT100003013	1
25	JUNTA TAPA EMBRAGUE / CLUTCH COVER GASKET		MT280244002	1
26	TAPA EMBRAGUE MG TRIAL / CLUTCH COVER		MT650003013	1
27	VISOR NIVEL ACEITE EC400-4T / OIL LEVEL SIGHT GLASS		MFS400110015	1
28	RETÉN 18-24-4 TRIAL 2002 / 18-24-4 4 KICKSTART SHAFT SEAL		MT280226016	1
29	ALLEN 5X25 DACROMET / 5X25 DACROMET ALLEN BOLT		T0305025	2
30	ALLEN 5X30 DACROMET / 5X30 DACROMET ALLEN BOLT		T0305030	2
31	ALLEN 5X40 DACROMET / 5X40 DACROMET ALLEN BOLT		T0305040	1
32	TAPÓN LLENADO ACEITE / OIL FILL PLUG		M01016002	1
33	ARANDELA 5X9X1,5 COBRE / 5X9X1,5 WASHER		T4000509	1

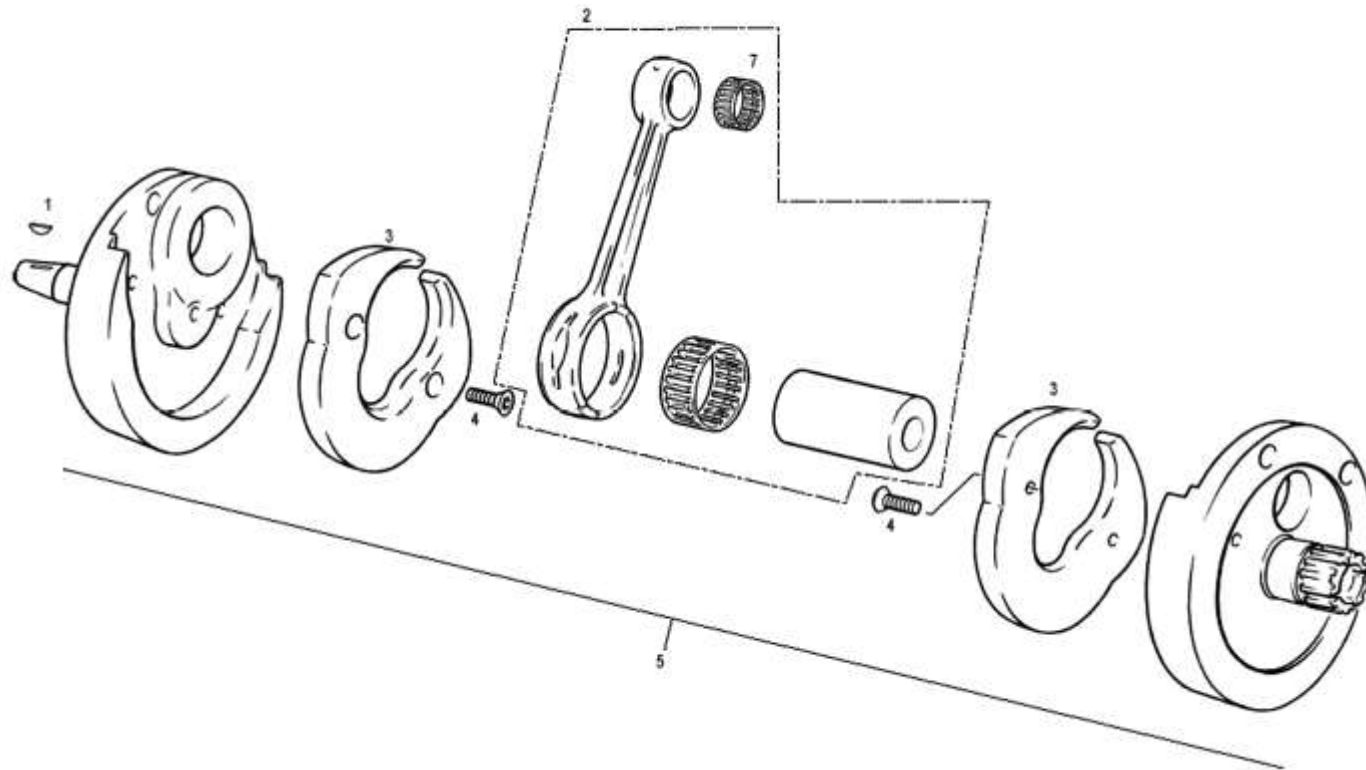
GASGAS

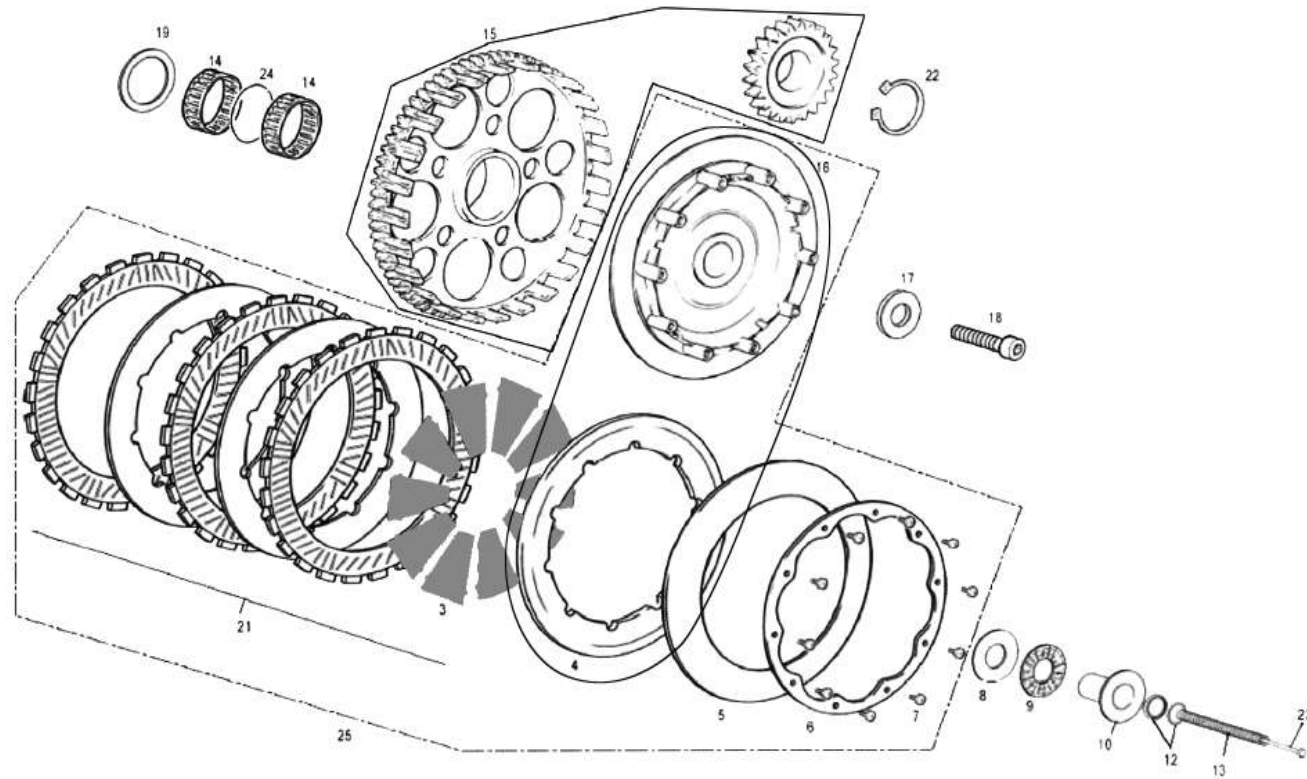
Motor 3

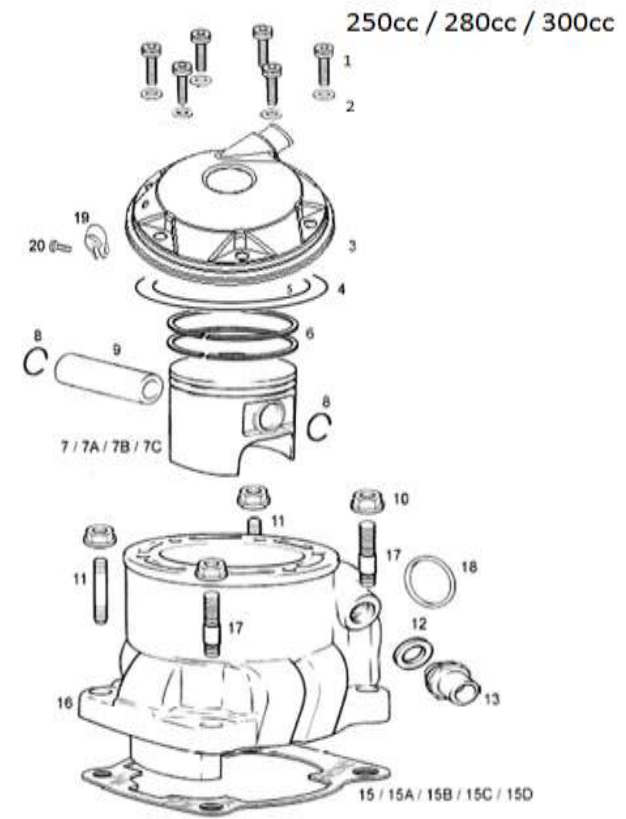
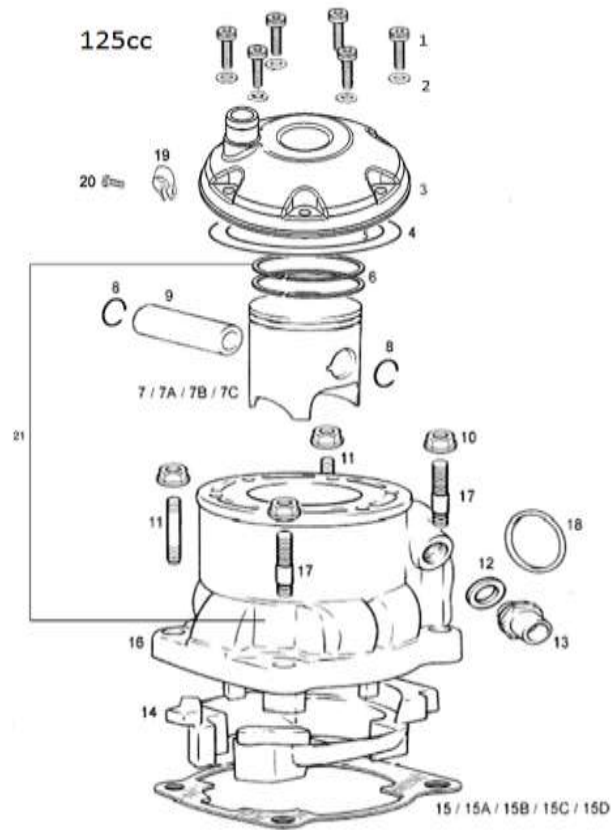


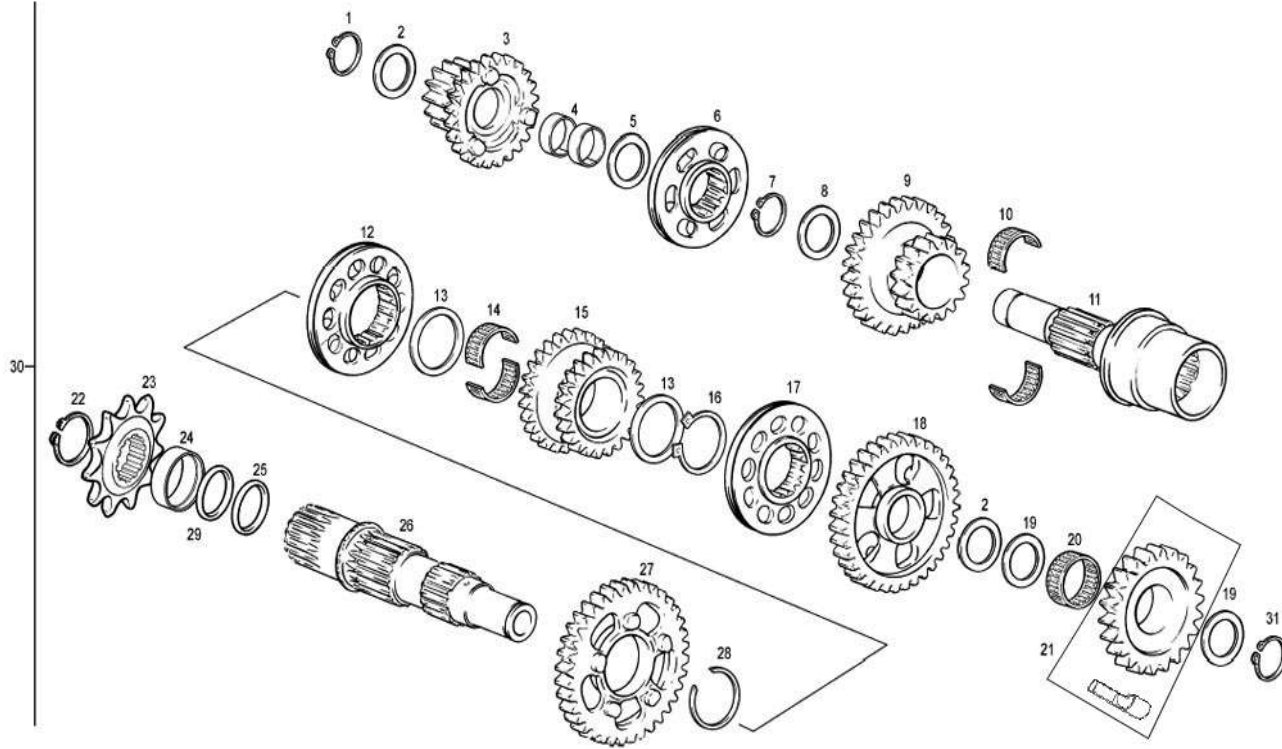












Nº	DESCRIPCION / DESCRIPTION	125 / 280 / 300	Cant.
1	CIRCLIP E15 DIN471 / E15 CIRCLIP	MT280236163	2
2	ARANDELA 15,2X23X0,5 / 15,2X23X0,5 WASHER	T4001523	4
3	PIÑÓN 2 / PINION 2	MT280236071	1
4	DOLLA / BUSHING	MT280236164	2
5	ARANDELA 17X23X0,5 / 17X23X0,5 WASHER	T4001723	1
6	DESPLAZABLE PRIMARIO / PRIMARY SELECTOR DISC	MT280236073	1
7	CIRCLIP E20 DIN 471 REBAJADO / E20 CIRCLIP	MT280236165	1
8	ARANDELA 20X25X0,5 / 20X25X0,5 WASHER	T4002025	1
9	PIÑÓN 3 / PINION 3	MT280236072	1
10	JAULA AGUJAS / NEEDLE BEARING	MT280236162	2
11	EJE PRIMARIO / PRIMARY SHAFT	MT280236070	1
12	DESPLAZABLE 2 SECUNDARIO / SECONDARY SELECTOR DISC	MT280236080	1
13	ARANDELA 22X27X0,5 / 22X27X0,5 WASHER	T4002227	2
14	JAULA AGUJAS / NEEDLE BEARING	MT280236161	2
15	PIÑÓN 5 / PINION 5	MT280236078	1
16	CIRCLIP E22 DIN471 / E22 CIRCLIP	MT280236166	1
17	DESPLAZABLE 3 SECUNDARIO / SECONDARY SELECTOR DISC	MT280236079	1
18	PIÑÓN 3 SECUNDARIO / SECONDARY 3 GEAR	MT280236076	1
19	ARANDELA / WASHER	M02622001	2
20	JAULA AGUJAS / NEEDLE BEARING	MT280226015	1
21	PIÑÓN INTERMEDIO Y TOPE ARRANQUE / KIT GEAR AND STOP KICK START PEDAL	MT880002810	1
22	CIRCLIP E25 / E25 CIRCLIP	MT280212023	1
23	PIÑÓN CADENA SALIDA / SPROCKET, COUNTERSHAFT z.11	MT280236525	1
23B	PIÑÓN CADENA SALIDA / SPROCKET, COUNTERSHAFT z.09	MT120236526	1
23C	PIÑÓN CADENA SALIDA / SPROCKET, COUNTERSHAFT z.10	MT200236525	1
23D	PIÑÓN CADENA SALIDA / SPROCKET, COUNTERSHAFT Z12	MT280236526	1
24	CASQUILLO RETÉN SALIDA CAMBIO / SHIFT SEAL BUSHING	MT280236046	1
25	TÓRICA 25X2 NBR / NBR 25X2 O'RING	ME25632025	1
26	EJE SECUNDARIO / SECONDARY SHAFT	MT280236075	1
27	PIÑÓN 2 SECUNDARIO / SECONDARY 2 GEAR	MT280236077	1
28	CIRCLIP SW25 / SW25 CIRCLIP	MT280236167	1
29	TÓRICA 25X1,5 NBR / 25X1,5 O'RING	MT280212025	1
30	CTO. CAMBIO TRIAL / TRANSMISSION COMPLETE	MT280236010	1
31	CLIP DE 15MM PIÑÓN INT. ARRANQUE / 15MM. CIRCLIP	M02633000	1

GASGAS

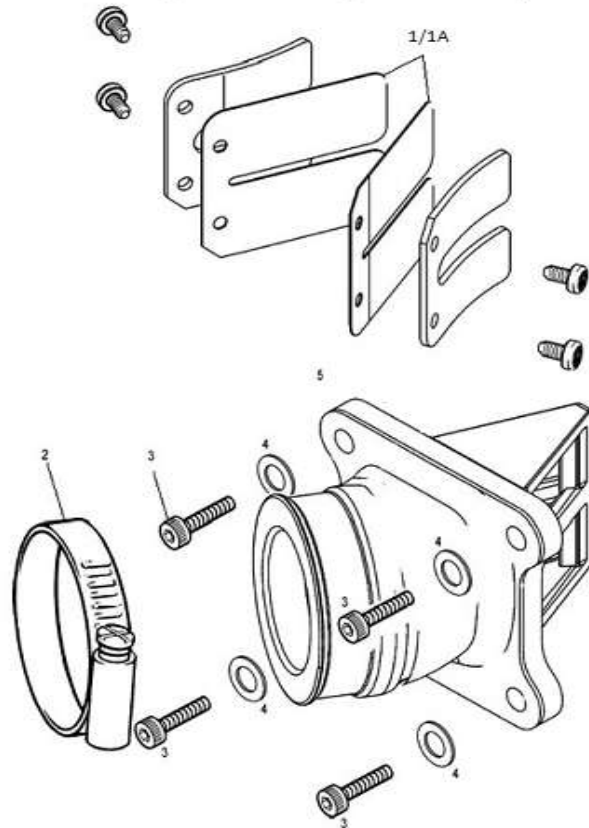
Motor 10

**Caja laminas /
Reed valve**

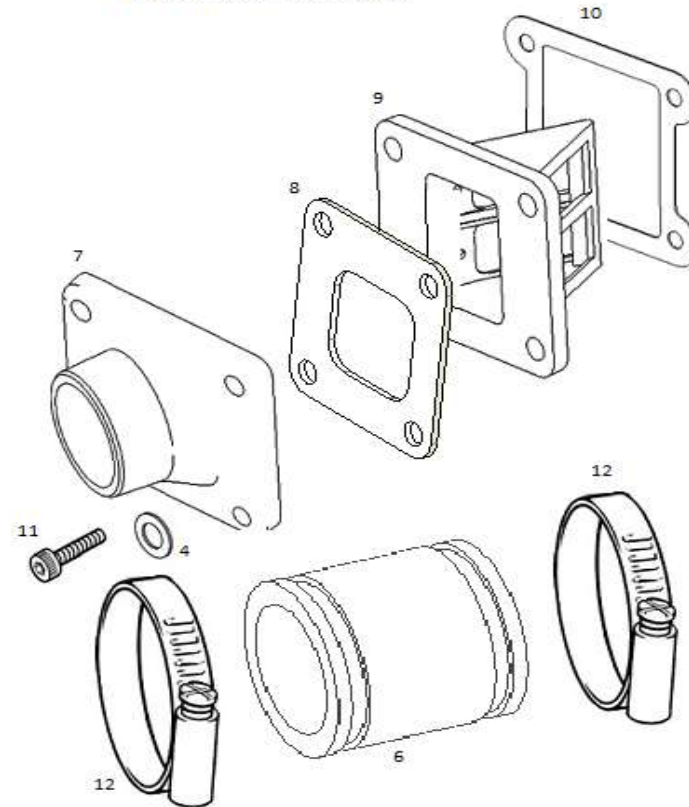
GASGAS

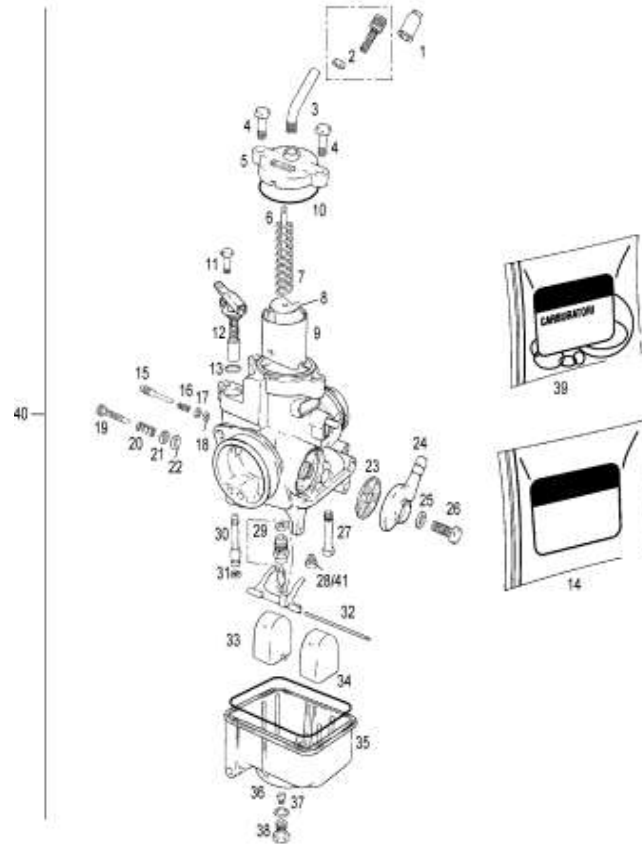
TXT REPLICA FACTORY 2013

(PARA DELLORTO / FOR DELLORTO)



(PARA KEIHIN / FOR KEIHIN)





Nº	DESCRIPCION / DESCRIPTION	125	280 / 300	Cant.
1	CAPUCHÓN TENSOR CABLE GAS / ADJ. TENSION THROTTLE CABLE		M09001055	1
2	CTO. TENSOR CABLE / CABLE TENSION SET SCREW		M09001230	1
3	TENSOR CABLE GAS / CABLE TENSION TUBE		M09001032	1
4	TORNILLO TAPA CARBURADOR / SCREW COVER CARBURETOR		M09001025	2
5	TAPA CARBURADOR / COVER CARBURETOR		M09001156	1
6	AGUJA D36 3º PUNTO / NEEDLE D36		M09003136	1
7	MUELLE COMPUERTA / SPRING SLIDE		M09001015	1
8	PLANCHA SUJECIÓN CABLE GAS / CABLE RETAINER PLATE		M09001010	1
9	COMPUERTA / VALVE SLIDE	M09002050	M09002060	1
10	TÓRICA TAPA CARBURADOR / O		M09001050	1
11	TORNILLO SUJ. STARTER / CHOKE SCREW		M09001110	1
12	MANDO STARTER / CHOKE LEVER ASSY.		M09001105	1
13	TÓRICAS STARTER / CHOKE O'RING		M09001065	1
14	KIT CARBURACIÓN / CARBURETOR KIT	MT25000071211	MT25000133011	1
15	TORNILLO REG. ENTRADA AIRE / REG. ENTRANCE SCREW		M09001115	1
16	MUELLE TORNILLO REG. AIRE / SPRING SCREW REG. AIR		M09001120	1
17	ARANDELA TORN. REG. AIRE / WASHER SCREW BOLT REG. AIR		M09001125	1
18	TÓRICA TORNILLO REG. AIRE / O'RING SCREW BOLT REG. AIR		M09001075	1
19	TORNILLO REG. COMPUERTA / SCREW BOLT REG. SLIDE		M09001035	1
20	MUELLE TORNILLO REG. COMPUERTA / SPRING SCREW SLIDE		M09001040	1
21	ARANDELA TORNILLO REG. COMP. / WASHER SCREW REG. SLIDE		M09001045	1
22	TÓRICA TORNILLO REG. COMP. / O'RING SCREW REG. SLIDE VALVE		M09001060	1
23	JUNTA PIPETA GASOLINA / FUEL FILTER DISC		M09001095	1
24	PIPETA ENTRADA GASOLINA / FUEL ENTRY TUBE		M09001135	1
25	JUNTA TORNILLO PIPETA / GASKET SCREW BOLT		M09001100	1
26	TORNILLO PIPETA / BOLT		M09001140	1
27	EMULSOR / NEEDLE JET		M09005271	1
28	CHICLE RALENTÍ 30 / JET SLOW 30		M09004035	1
29	VÁLVULA FLOTADOR / FLOAT VALVE		M09001200	1
30	CHICLE STARTER 60 / JET CHOKE 60		M09007060	1
31	TÓRICA CHICLE STARTER / O'RING JET CHOKE		M09001070	1
32	EJE FLOTADOR / FLOAT SHAFT		M09001145	1
33	FLOTADOR 2X2 / FLOAT 2X2		M09008036	2

GASGAS

Motor 12

