

The logo features the brand name 'GAS GAS' in a stylized, italicized font with a red outline. Below it, the year '2010' is written in red. A large, stylized 'GG' is positioned on the left. Two thick, wavy lines, one red and one white, sweep across the background from the top left towards the bottom right.

**GAS GAS**

**2010**

**EC-250 4T**

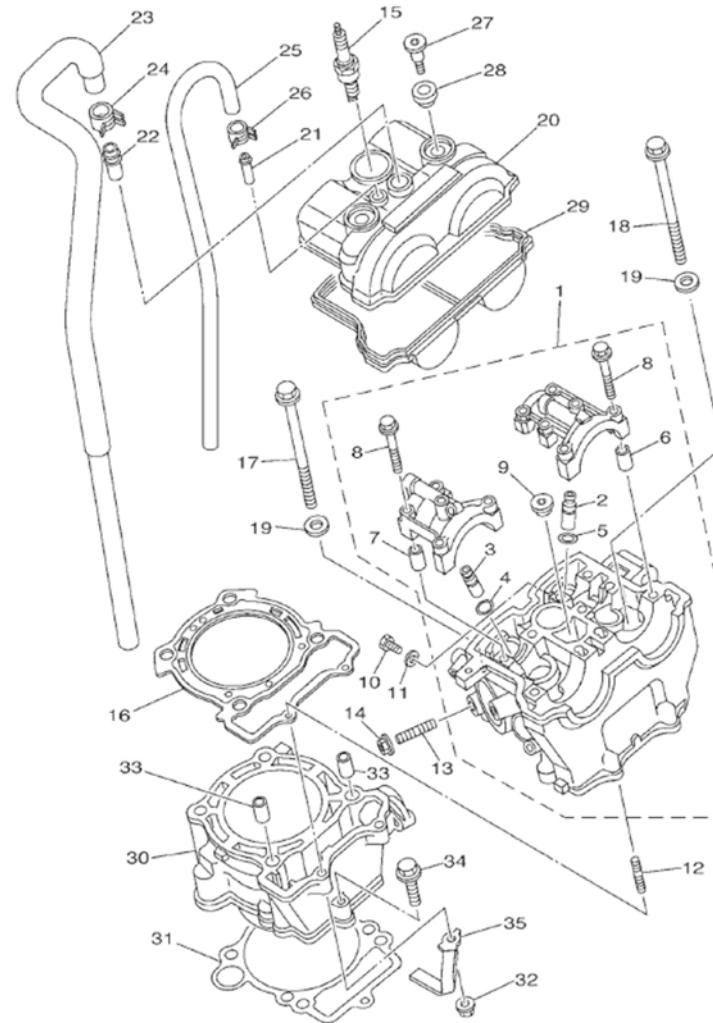
**DESPIECE / / PART LIST**

A large, stylized white logo consisting of two interlocking 'G' shapes, positioned on the left side of the cover. The background is black with three curved, flowing lines in red and white that sweep across the page from the bottom left towards the top right.

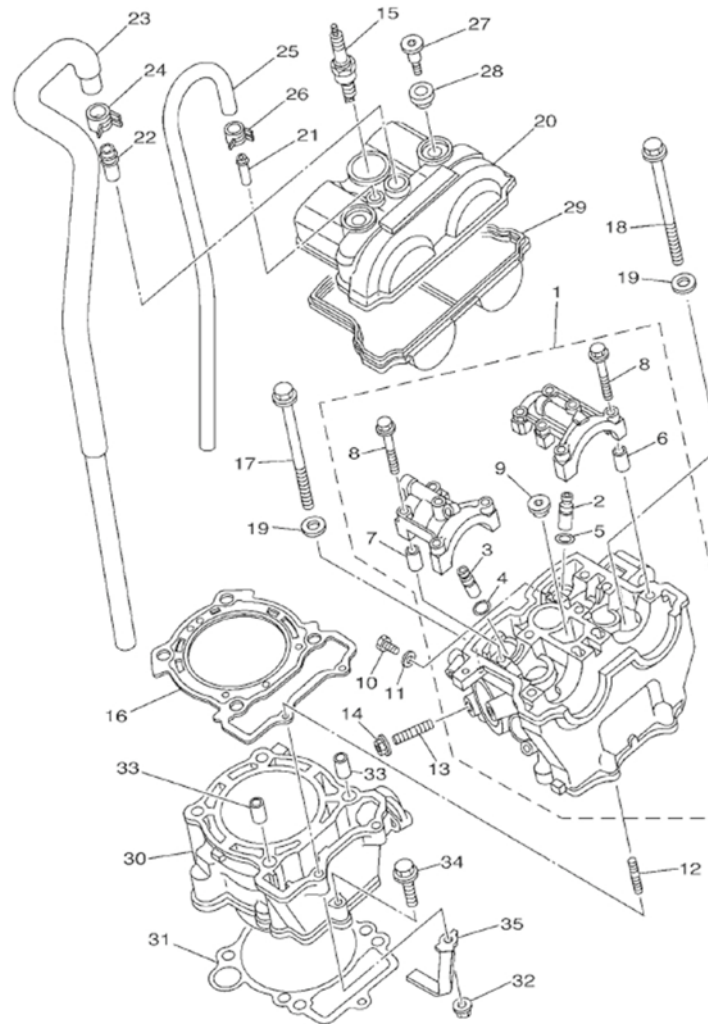
*TECHNOLOGY*  
*&*  
*MOTION*

***GAS GAS***

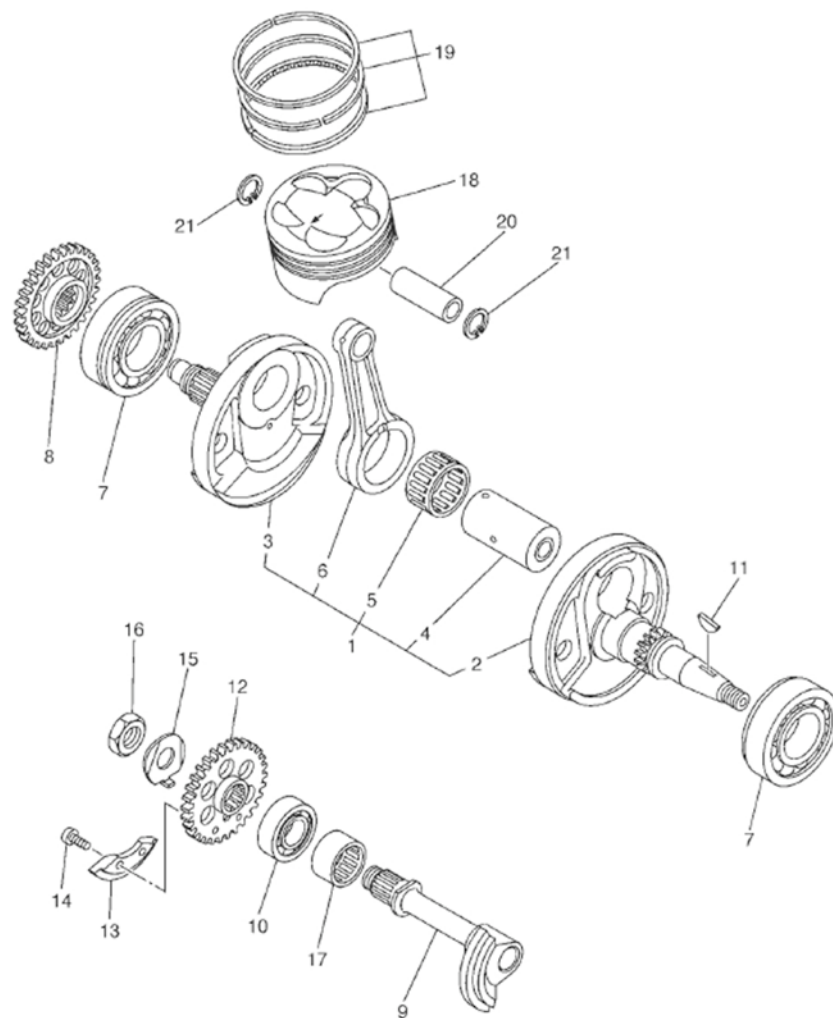
AGOSTO / AUGUST / AOÛT / AGOSTO / AUGUST 2009



Nº	DESCRIPCION / DESCRIPTION		Cant.
1	CYLINDER HEAD ASSY	5XC-11102-00	1
2	GUIDE, VALVE 1	5NL-11133-10	3
3	GUIDE, VALVE 2	5NL-11134-10	2
4	CIRCLIP	93440-10153	2
5	CIRCLIP	93440-07149	3
6	PIN, DOWEL	91808-116023	2
7	PIN, DOWEL	91808-116023	2
8	BOLT, FLANGE	90105-06027	10
9	PLUG, STRAIGHT SCREW	90340-12112	1
10	BOLT, FLANGE	95027-06010	1
11	GASKET	90430-06014	1
12	BOLT, STUD	90116-06541	2
13	BOLT, STUD	95617-08620	1
14	NUT-FLANGE	95707-08500	1
15	PLUG, SPARK (NGK R CR8E)	94701-00411	1
16	GASKET, CYLINDER HEAD 1	5NL-11181-00	1
17	BOLT, FLANGE	90105-09004	2
18	BOLT, FLANGE	90105-09002	2
19	WASHER, PLATE	90201-096J9	4
20	COVER, CYLINDER HEAD 1	5NL-11191-10	1
21	PIPE, BREATHER 2	5BE-11167-00	1
22	PIPE, BREATHER 2	371-11167-01	1
23	PIPE, BREATHER 1	5TA-11166-00	1
24	CLIP	90467-14015	1
25	HOSE	MQ400280102	1
26	CLIP	90467-11106	2

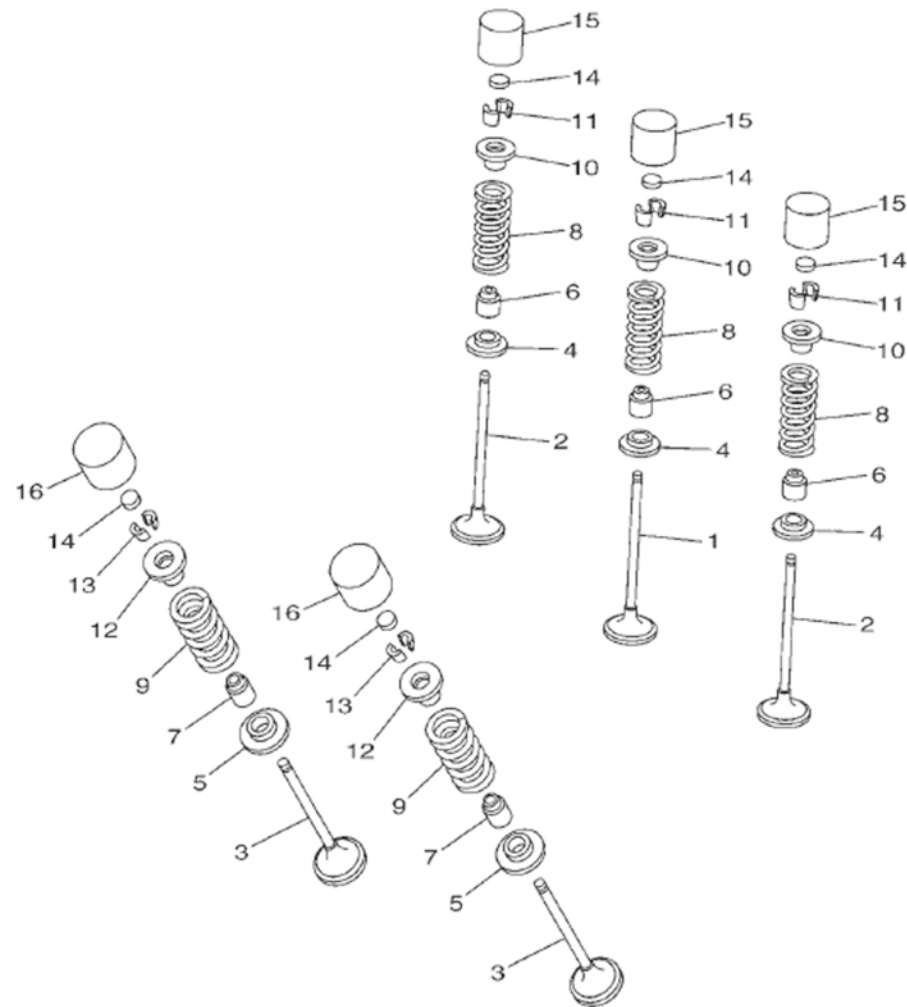




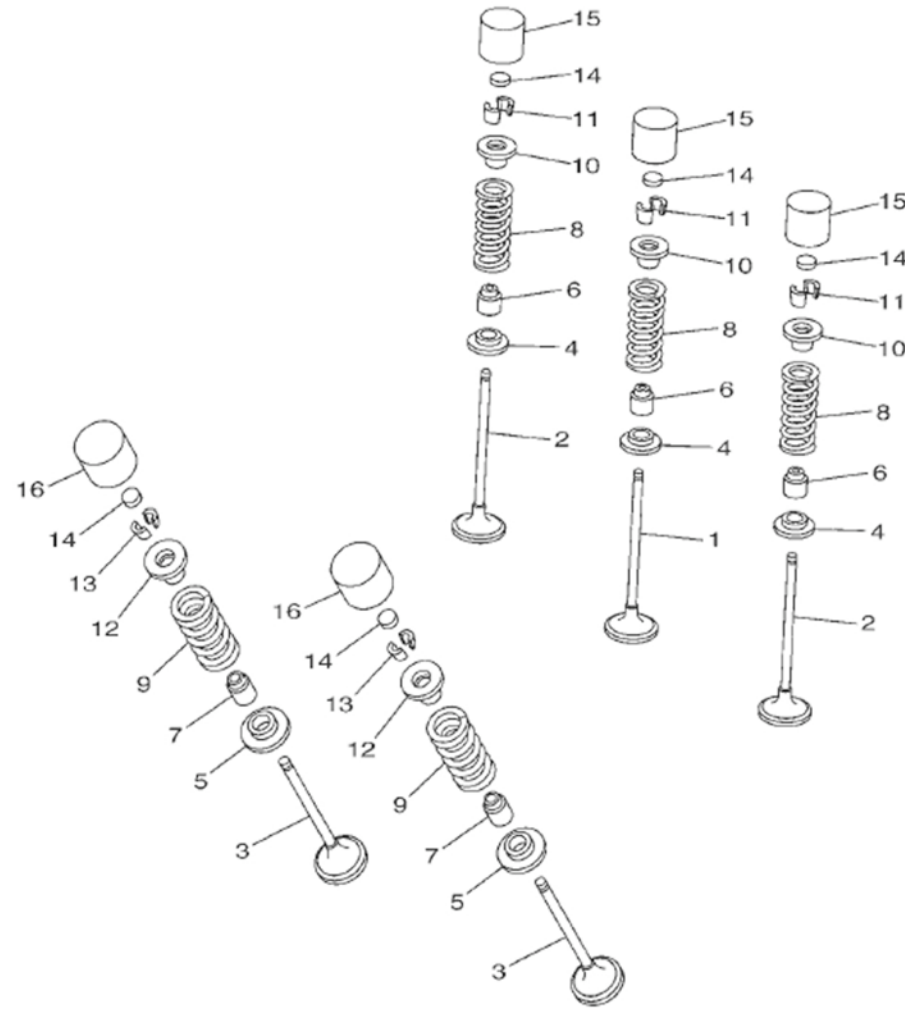




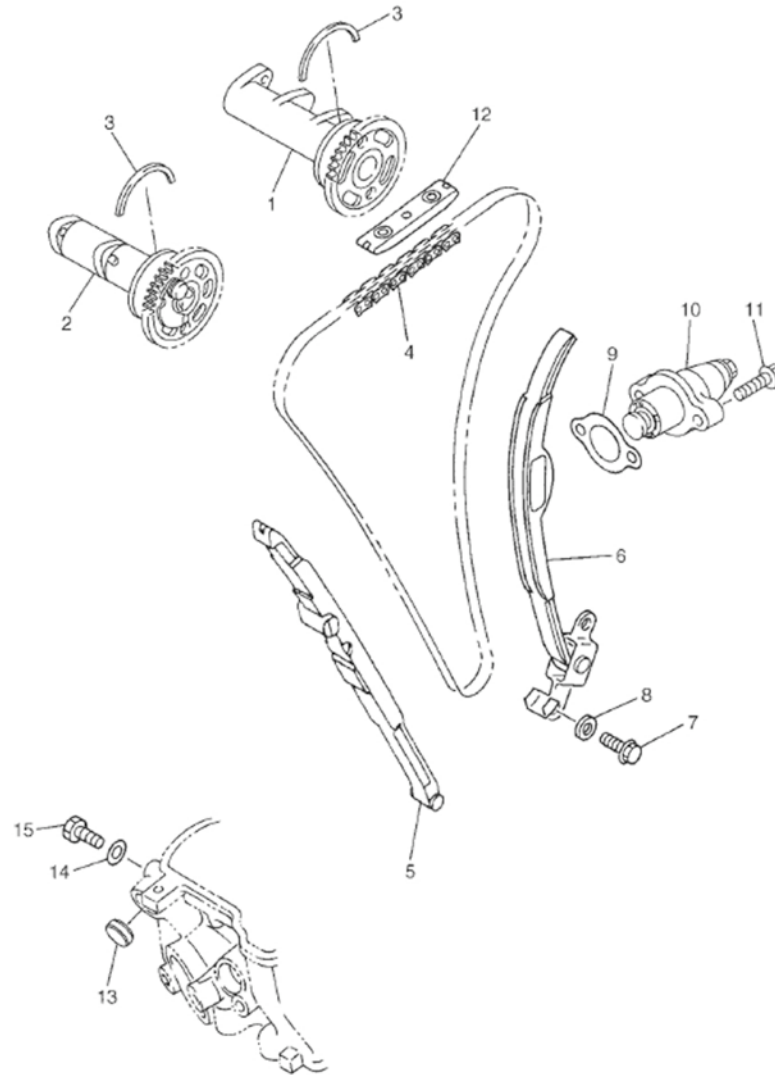




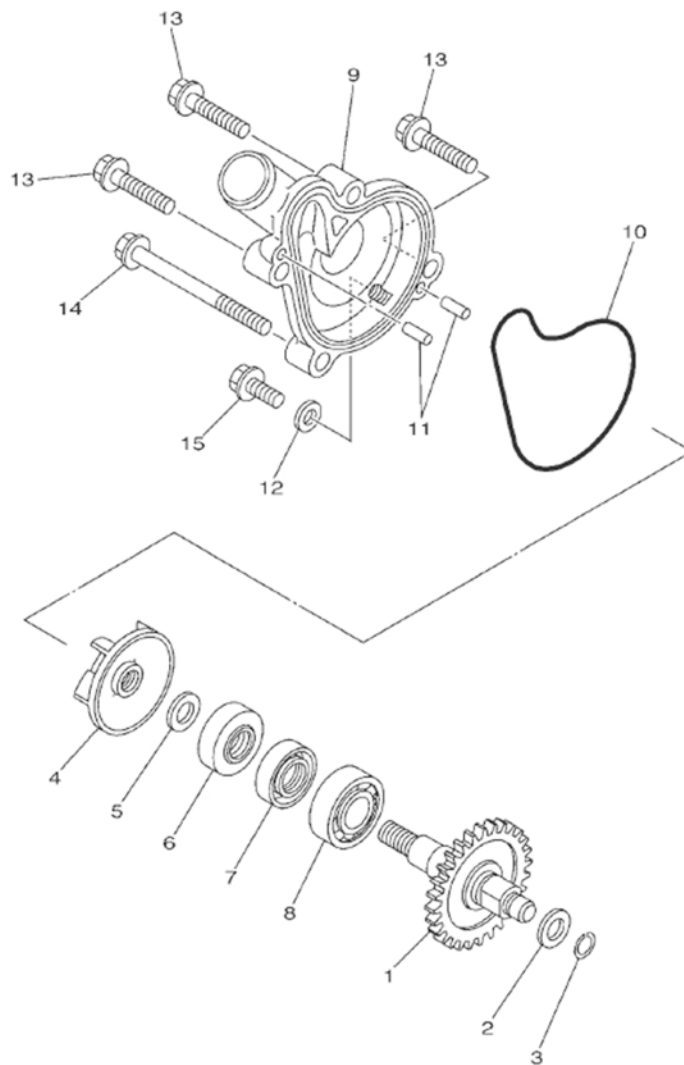






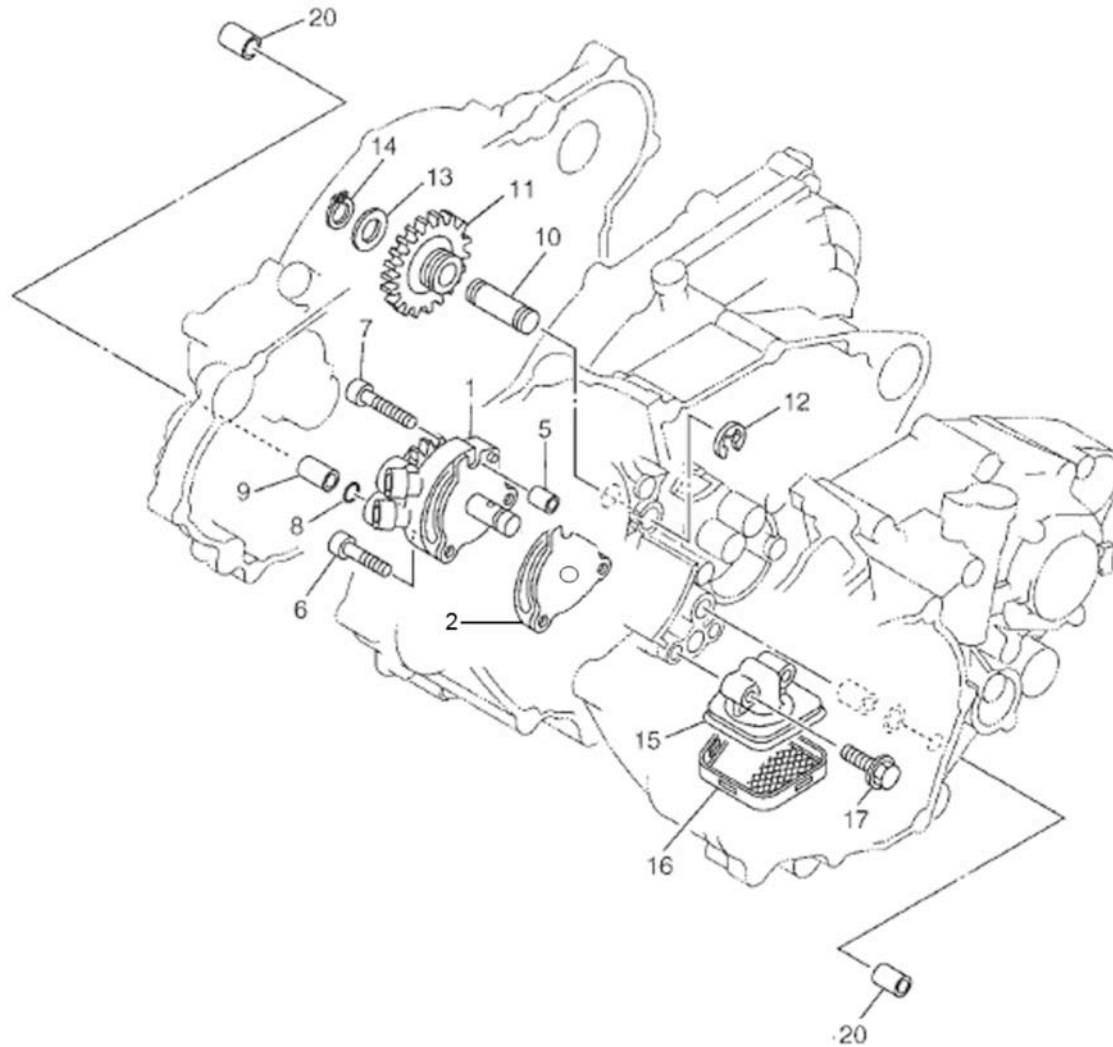




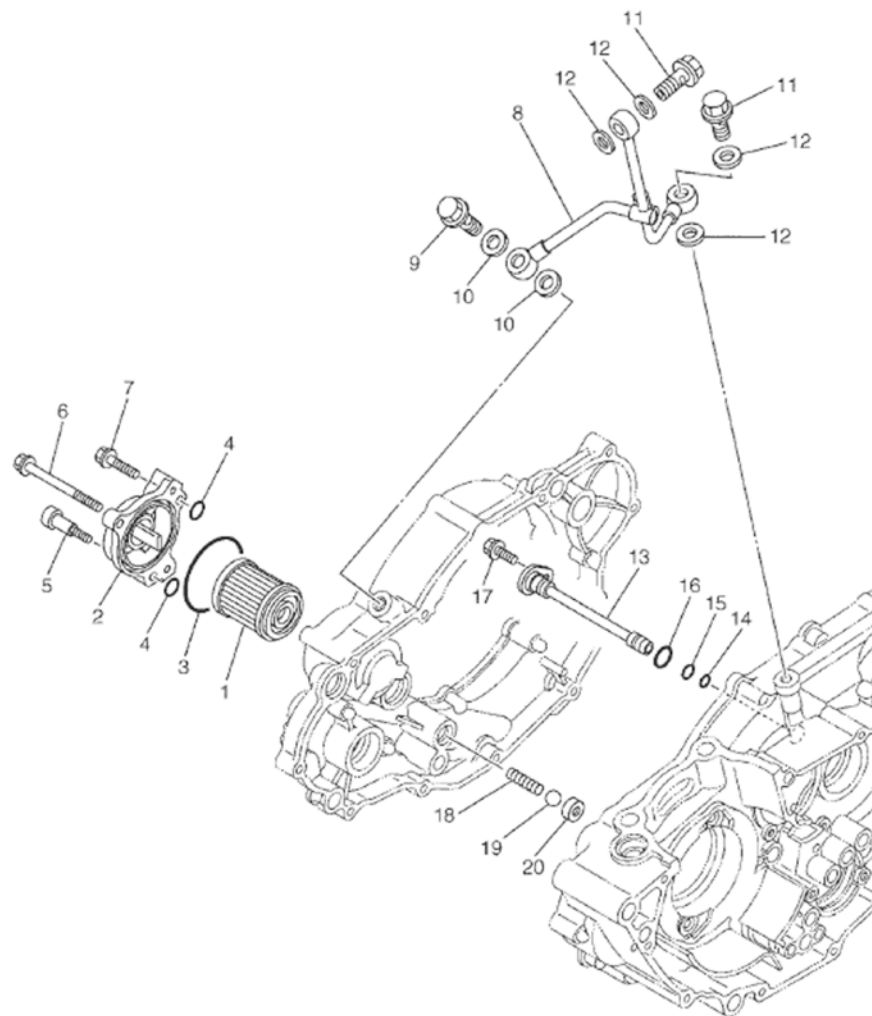




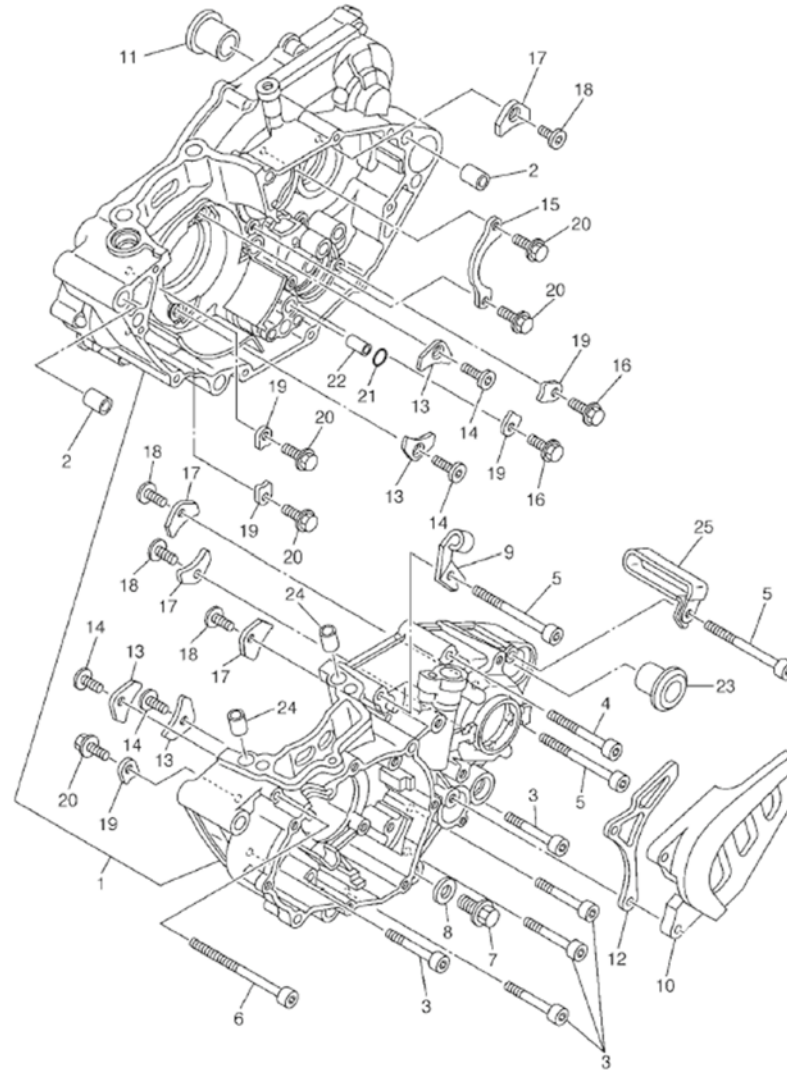




Nº	DESCRIPCION / DESCRIPTION	Cant.
1	OIL PUMP ASSY	1
2	COVERS PUMP OIL	1
5	PIN, DOWEL	1
6	BOLT, HEXAGON SOCKET HEAD	2
7	BOLT	1
8	O-RING	1
9	PIN, DOWEL	1
10	SHAFT, IDLE GEAR	1
11	GEAR, OIL PUMP IDLE	1
12	CIRCLIP	1
13	WASHER, PLATE	1
14	CIRCLIP	1
15	HOUSING, STRAINER	1
16	STRAINER, OIL	1
17	BOLT, FLANGE	2
20	COVER OIL	2



Nº	DESCRIPCION / DESCRIPTION		Cant.
1	ELEMENT ASSY, OIL CLEANER	5TA-13440-00	1
2	COVER, OIL ELEMENT	5BE-13447-10	1
3	O-RING	93210-47675	1
4	O-RING	93210-07135	3
5	BOLT	90109-065G2	1
6	BOLT	91317-06065	1
7	BOLT	91317-06025	1
8	PIPE, DELIVERY 1	5NL-13161-00	1
9	BOLT, UNION	90401-10159	1
10	GASKET	90430-10188	2
11	BOLT, UNION	90401-08038	2
12	GASKET	90430-08119	4
13	PIPE, DELIVERY	5NL-13171-00	1
14	O-RING	93210-07003	1
15	O-RING	93210-09008	1
16	O-RING	93210-12759	1
17	BOLT, FLANGE	95027-06012	1
18	SPRING, COMPRESSION	90501-043E0	1
19	BALL	93503-08007	1
20	SEAT, CHECK BALL	583-13113-00	1

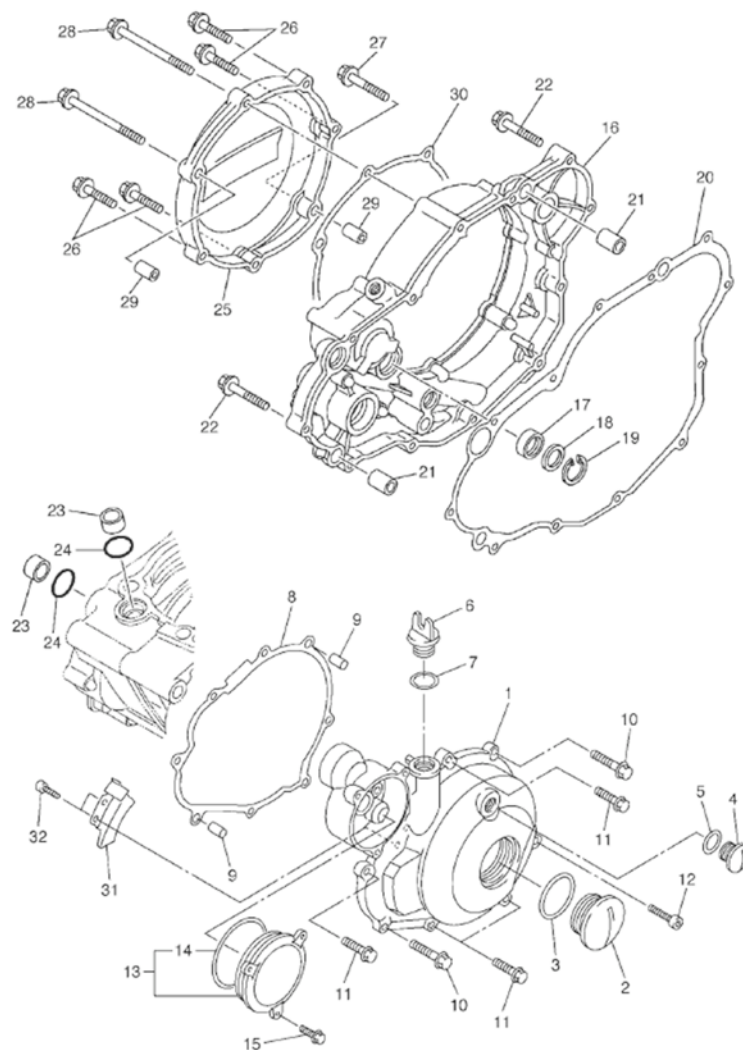


Nº	DESCRIPCION / DESCRIPTION		Cant.
1	CRANKCASE ASSY	5UM-15150-10	1
2	PIN, DOWEL	93612-16254	2
3	BOLT	91317-06045	5
4	BOLT	91317-06055	1
5	BOLT	91317-06070	3
6	BOLT	913317-06100	1
7	BOLT, FLANGE	95027-10016	1
8	GASKET	90430-10188	1
9	HOLDER, CLUTCH CABLE	5NL-15441-01	1
10	COVER, CRANKCASE2	BFS486002510	1
11	COLLAR, RIGHT	BFS445102510	1
12	GUIDE, CHAIN	BFS486102510	1
13	PLATE, BEARING COVER	5BR-15383-01	4
14	SCREW	90149-06126	4
15	PLATE, BEARING COVER	5NL-15388-00	1
16	BOLT, FLANGE	90105-06553	2
17	PLATE, BEARING COVER	4JT-15381-01	4
18	SCREW	90149-06326	4
19	PLATE, STOPPER 2	5DH-18562-00	5
20	BOLT, FLANGE	90105-06553	5
21	O-RING	93210-10197	1
22	PIN, DOWEL	99530-10114	1
23	COLLAR, LEFT	BFS445152510	1
24	PIN, DOWEL	99530-10116	2
25	CLAMP	90465-10013	1

**TAPA CARTER / CRANKCASE  
COVER**

**GAS GAS**

**EC/250-4T/ 2010**

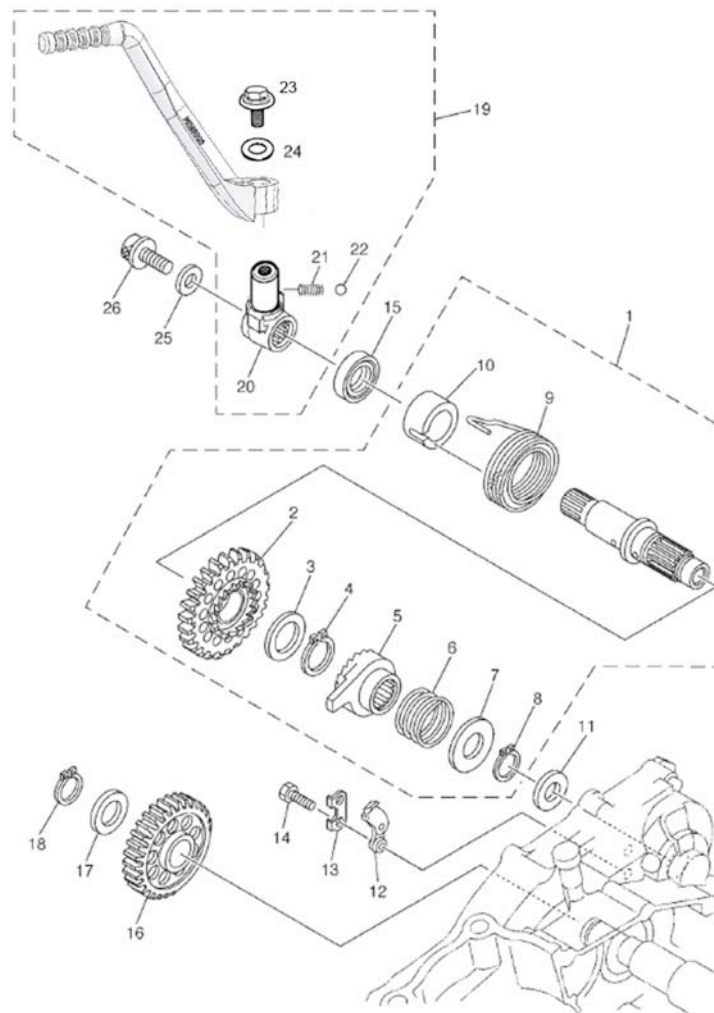


Nº	DESCRIPCION / DESCRIPTION		Cant.
1	COVER, CRANKCASE 1	5UM-15411-10	1
2	PLUG, STRAIGHT SCREW	90340-27002	1
3	O-RING	93210-27370	1
4	PLUG, STRAIGHT SCREW	90340-14128	1
5	O-RING	93210-14369	1
6	PLUG, OIL	3Y1-15363-00	1
7	O-RING	93210-19123	1
8	GASKET, CRANKCASE COVER 1	5UM-15451-00	1
9	PIN, DOWEL	99530-08016	2
10	BOLT, FLANGE	95027-06040	2
11	BOLT, FLANGE	95027-06030	4
12	BOLT	91317-06110	1
13	COVER ASSY 2	5UM-1549B-10	1
14	O-RING	93210-60426	1
15	BOLT, FLANGE	95027-06016	3
16	COVER, CRANKCASE 3	5NL-15431-10	1
17	OIL SEAL	93101-14164	1
18	WASHER, PLATE	90201-15701	1
19	CIRCLIP	99009-22500	1
20	GASKET, CRANKCASE COVER 3	5NL-15462-00	1
21	PIN, DOWEL	91812-16001	2
22	BOLT, FLANGE	95027-06035	8
23	PIPE, WATER	5NL-12564-00	2
24	O-RING	93210-16716	2
25	COVER 1	5NL-15415-00	1
26	BOLT, FLANGE	95027-06025	4
27	BOLT, FLANGE	95027-06035	1
28	BOLT, FLANGE	90105-065A1	2
29	PIN, DOWEL	99530-08016	2
30	GASKET 1	5NL-15453-00	1
31	CLAMP 1	5UM-81528-00	1
32	BOLT	91317-05012	2

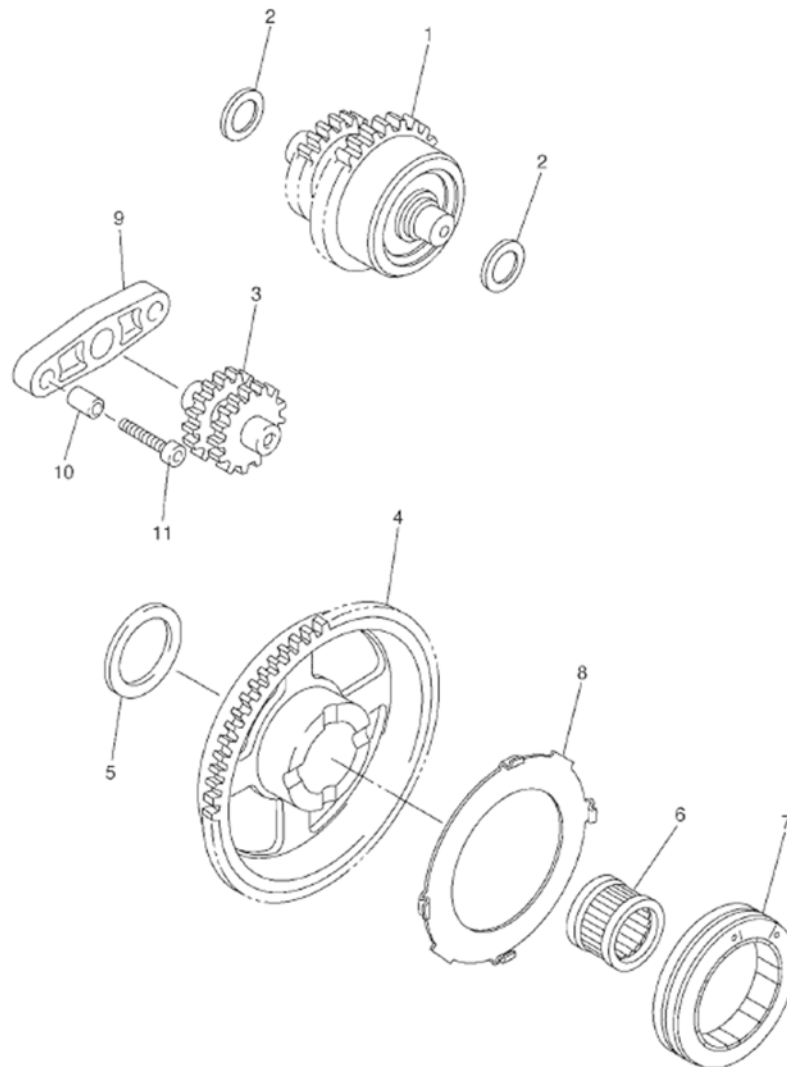
**GAS GAS**

**Motor 11**

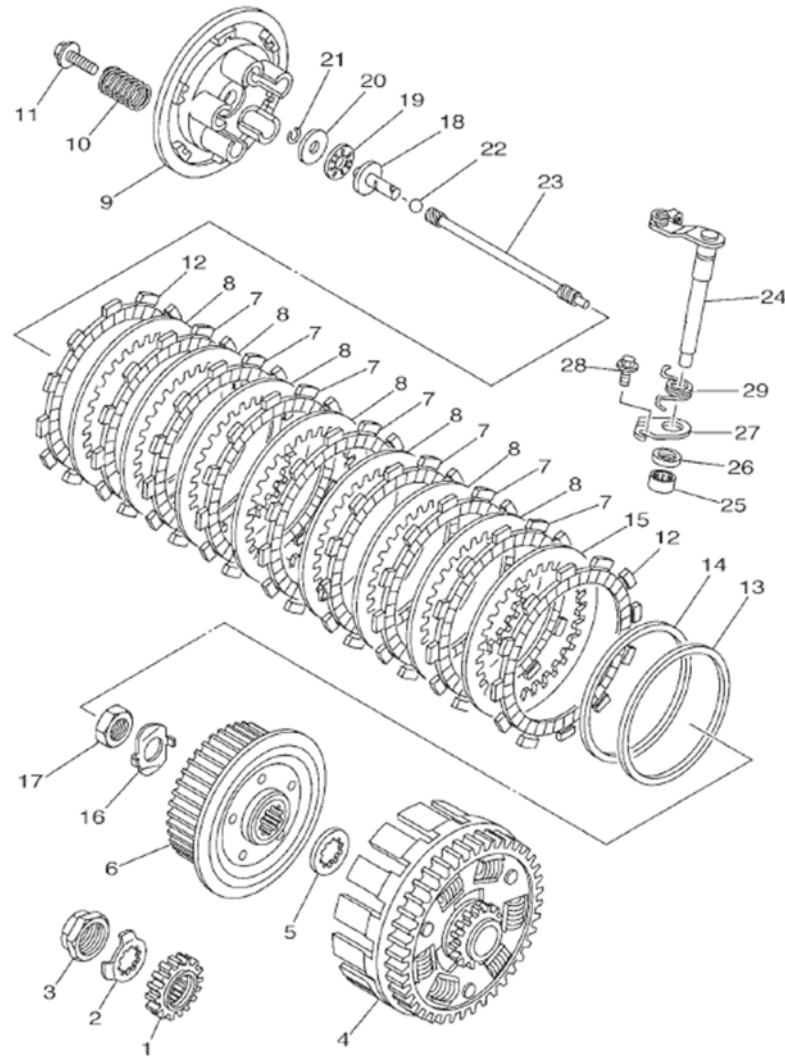




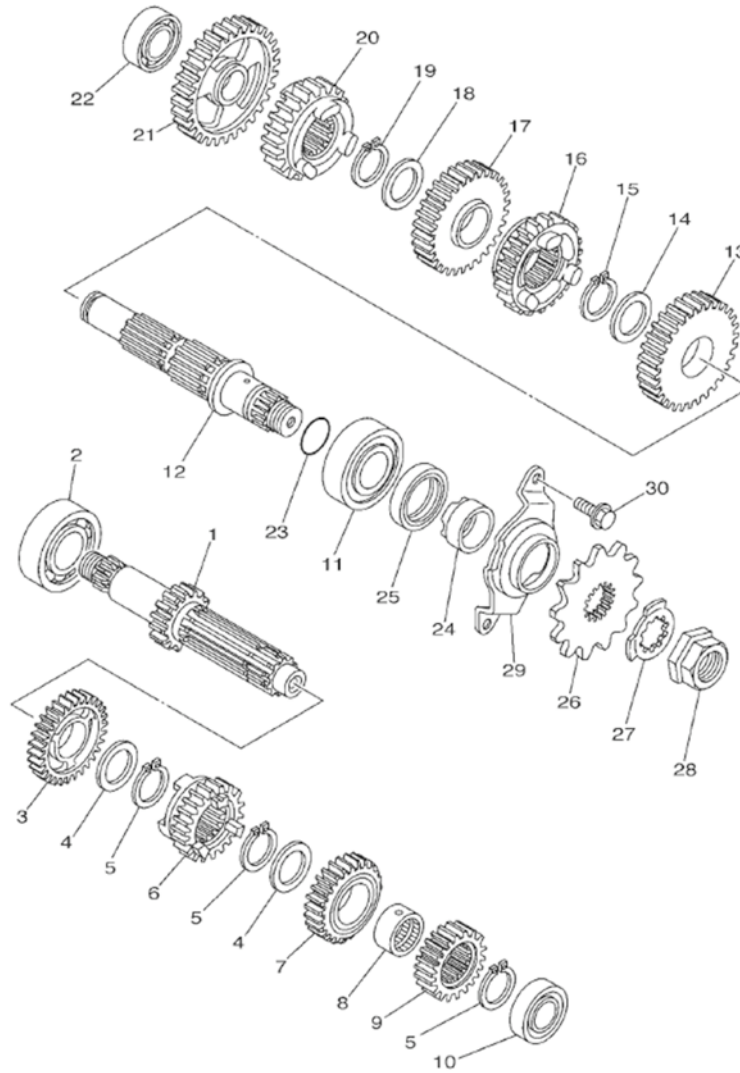
Nº	DESCRIPCION / DESCRIPTION		Cant.
1	KICK SHAFT ASSY	5NL-15601-00	1
2	GEAR, KICK	5NL-15641-00	1
3	WASHER, PLATE (T=0.5)	90201-20685	1
4	CIRCLIP	93410-20038	1
5	WHEEL, RATCHET	4GY-15671-00	1
6	SPRING, COMPRESSION	90501-16016	1
7	WASHER, PLATE	90201-167P7	1
8	CIRCLIP	99009-16400	1
9	SPRING, TORSION	90508-30743	1
10	GUIDE, SPRING	5NL-16664-00	1
11	WASHER, PLATE	90201-162H4	1
12	STOPPER	5SG-15668-00	1
13	WASHER, LOCK	214-15686-00	1
14	BOLT	90101-06001	2
15	OIL SEAL	93102-18278	1
16	GEAR, KICK IDLE	5NL-15651-00	1
17	WASHER, PLATE	90201-177G4	1
18	CIRCLIP	99009-17400	1
19	KICK CRANK ASSY	5NL-15620-10	1
20	BOSS, KICK CRANK	5NX-15621-10	1
21	SPRING, COMPRESSION	ME250036066	1
22	BALL	ME250036062	1
23	SCREW	T0508020	1
24	WASHER	T4008020	1
25	WASHER	T4006020	1
26	SCREW	T0316012	1







Nº	DESCRIPCION / DESCRIPTION		Cant.
1	GEAR, PRIMARY DRIVE	5NL-16111-00	1
2	WASHER, LOCK	90215-20003	1
3	NUT	90179-18001	1
4	PRIMARY DRIVEN GEAR COMP.	5NL-16150-10	1
5	PLATE, THRUST 1	5NL-16154-00	1
6	BOSS, CLUTCH	5NL-16371-00	1
7	PLATE, FRICTION	5DH-16321-00	7
8	PLATE CLUTCH 2	5NL-16325-00	7
9	PLATE, PRESSURE 1	5HD-16351-00	1
10	SPRING, COMPRESSION	90501-220A0	5
11	SCREW, WITH WASHER	90159-06092	5
12	PLATE FRICTION	3XJ-16321-00	2
13	PLATE, SEAT	5NL-16384-00	1
14	SPRING, CLUTCH BOSS	5NL-16383-10	1
15	PLATE CLUTCH 2	5NL-16325-10	1
16	WASHER, LOCK	90215-16289	1
17	NUT	90170-16326	1
18	ROD, PUSH 1	5NL-16356-00	1
19	BEARING	93340-21008	1
20	WASHER, PLATE	90201-080H1	1
21	CIRCLIP	93440-07182	1
22	BALL	93511-32027	1
23	ROD, PUSH 2	5NL-16357-10	1
24	PUCH LEVER COMP.	5JG-16381-00	1
25	BEARING	93317-11287	1
26	OIL SEAL	93102-12224	1
27	PLATE, SEAT	4JT-16384-00	1
28	BOLT, FLANGE	95027-06010	1
29	SPRING, TORSION	90508-12018	1

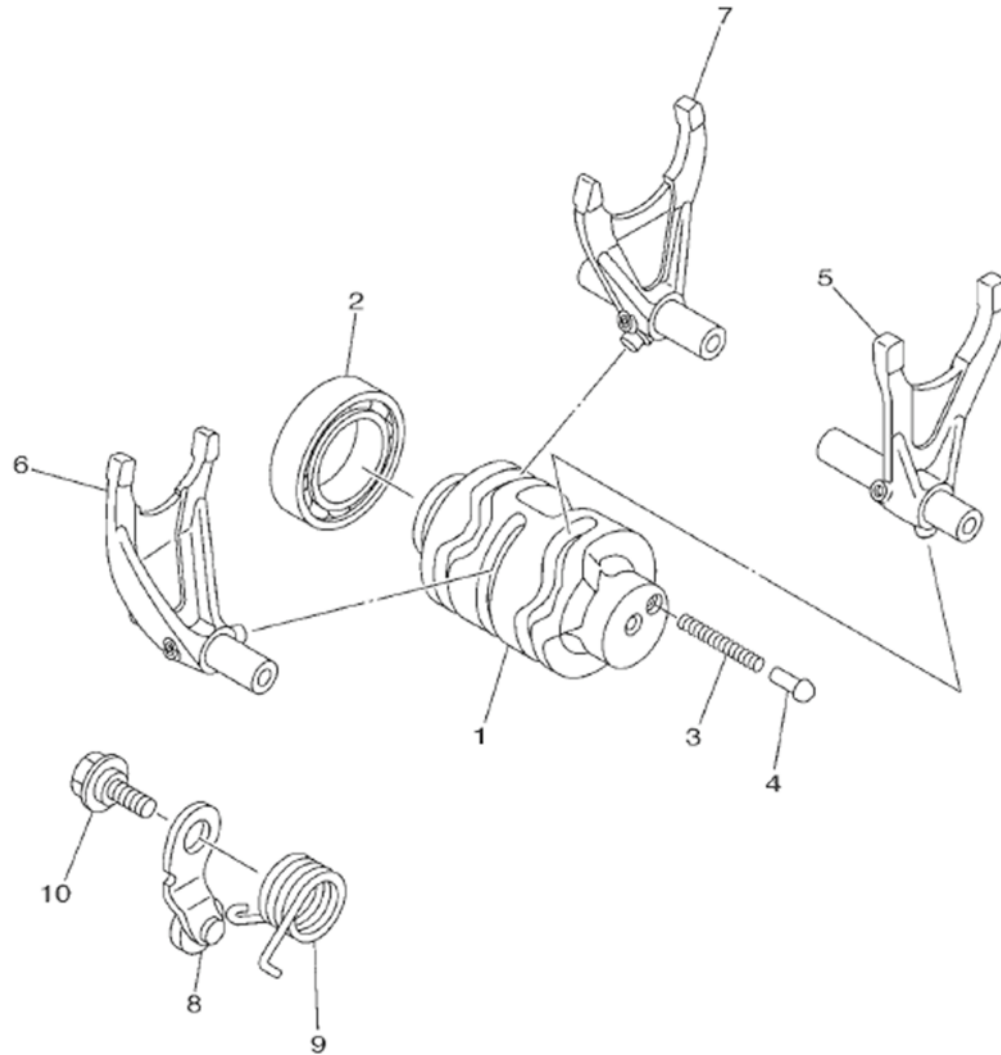


Nº	DESCRIPCION / DESCRIPTION		Cant.
1	AXLE, MAIN (13T)	5PH-17411-10	1
2	BEARING	93306-20447	1
3	GEAR, 5TH PINION (27T)	5PH-17151-00	1
4	WASHER	90209-20008	2
5	CIRCLIP	93410-22039	3
6	GEAR, 3RD PINION (21T)	5PH-17131-10	1
7	GEAR, 4TH PINION (24T)	5PH-17141-10	1
8	COLLAR	90387-20006	1
9	GEAR, 2ND PINION (16T)	5NL-17121-00	1
10	BEARING	93306-00320	1
11	BEARING	93306-27208	1
12	DRIVE AXLE ASSY	5NL-17402-00	1
13	GEAR, 2ND WHEEL /28T)	5NL-17221-00	1
14	WASHER	90209-23012	1
15	CIRCLIP	93410-26067	1
16	GEAR, 4TH WHEEL (25T)	5PH-17241-10	1
17	GEAR, 3RD WHEEL /28T)	5PH-17231-10	1
18	WASHER	90209-20008	1
19	CIRCLIP	93410-22039	1
20	GEAR, 5TH WHEEL (22T)	5PH-17251-10	1
21	GEAR, 1ST WHEEL (31T)	5PH-17211-00	1
22	BEARING	93306-00317	1
23	O-RING	93210-196A4	1
24	COLLAR	90387-22001	1
25	OIL SEAL	93102-28010	1
26	SPROCKET, DRIVE (13T)	9383B-13218	1
	SPROCKET, DRIVE (14T)	9383B-14222	1
27	WASHER, LOCK	90215-20003	1
28	NUT	90179-18001	1
29	PLATE, COVER	5NL-17471-00	1
30	BOLT, FLANGE	90105-06553	2

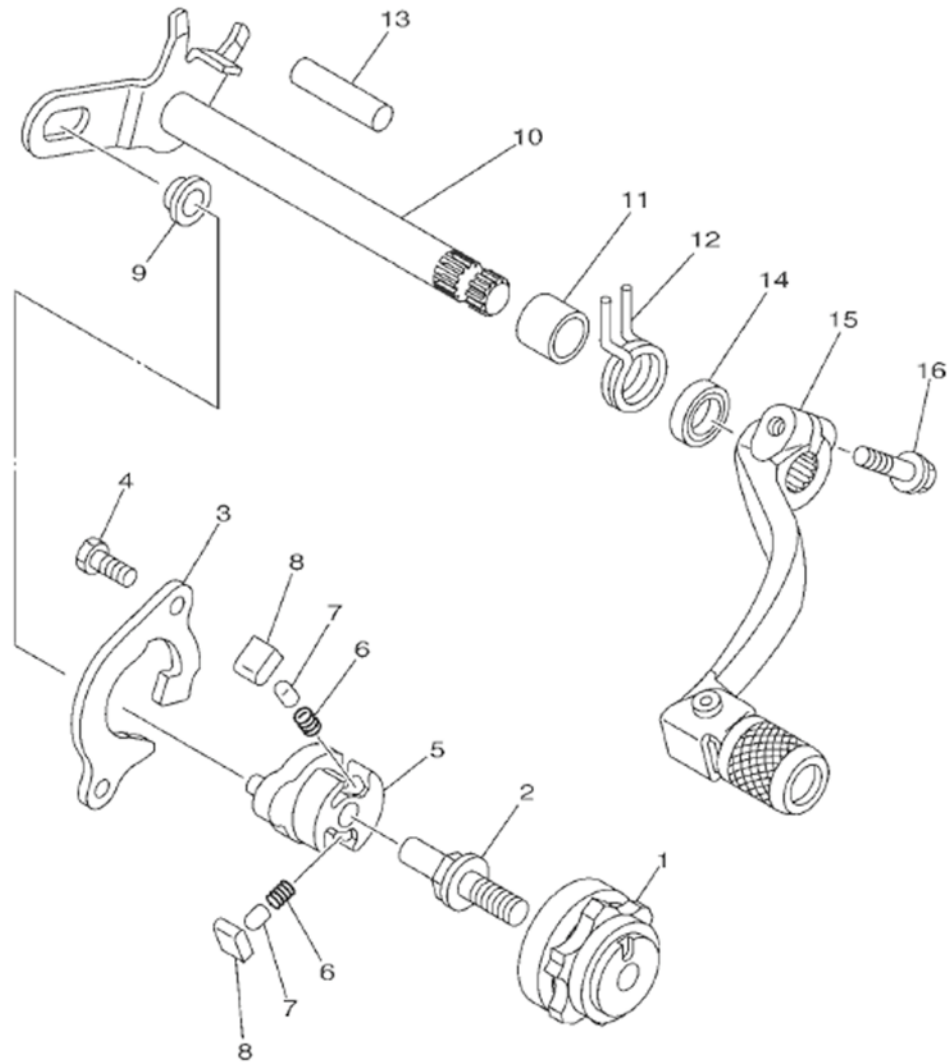
**GAS GAS**

**Motor 14**

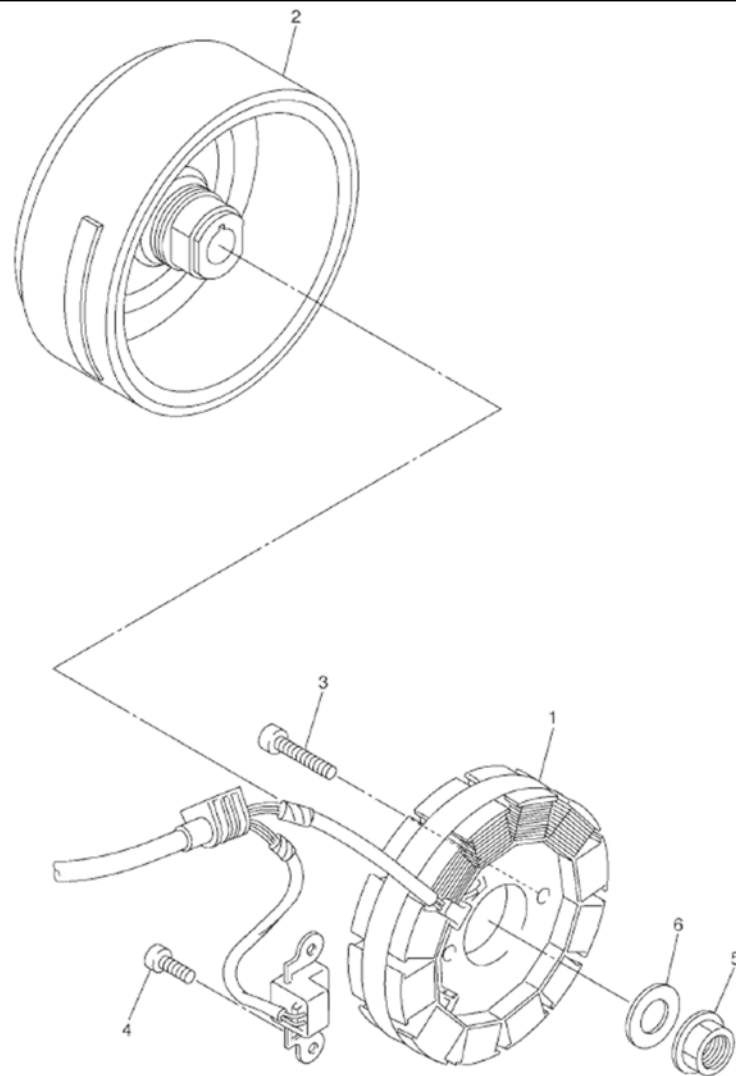




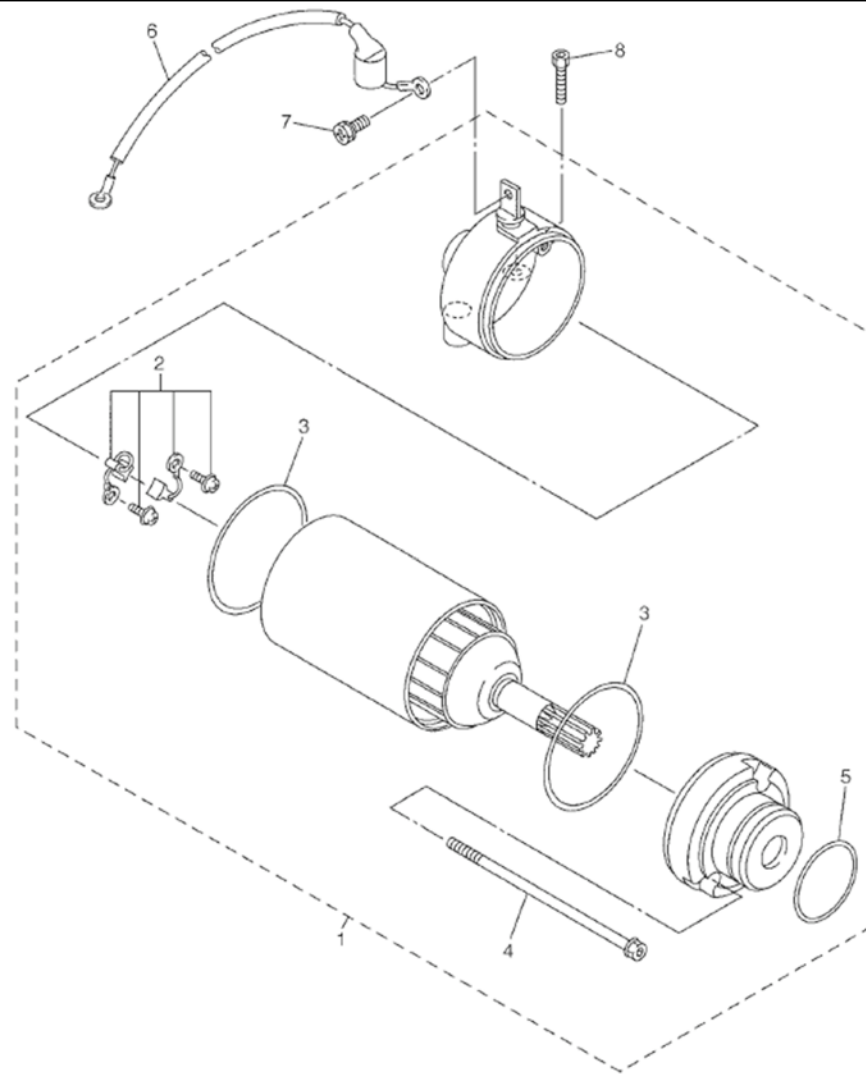
Nº	DESCRIPCION / DESCRIPTION		Cant.
1	CAM, SHIFT	5NL-18541-00	1
2	BEARING	93306-90501	1
3	SPRING, COMPRESSION	90501-06022	1
4	POINT, NEUTRAL	4BA-18542-00	1
5	FORK, SHIFT 1	5NL-18501-00	1
6	FORK, SHIFT 2	5NL-18502-00	1
7	FORK, SHIFT 3	5NL-18503-00	1
8	STOPPER LEVER ASSY	3XK-18140-00	1
9	SPRING, TORSION	90508-26561	1
10	BOLT	90109-063F8	1



Nº	DESCRIPCION / DESCRIPTION		Cant.
1	SEGMENT	4EW-18185-00	1
2	PIN, SHIFT	3XJ-18176-10	1
3	GUIDE, SHIFT	5BE-18172-00	1
4	BOLT	90101-06034	2
5	LEVER, SHIFT 2	5LP-18122-01	1
6	SPRING, COMPRESSION	90501-052G5	2
7	PIN, PAWL	3XJ-18184-00	2
8	PAWL, SHIFTER	3XL-18182-00	2
9	ROLLER, SHIFT LEVER	3XJ-18178-00	1
10	SHIFT SHAFT ASSY	5UL-18101-00	1
11	COLLAR	90387-124F4	1
12	SPRING, TORSION	90508-291A8	1
13	PIN, DOWEL	93608-33002	1
14	OIL, SEAL	93102-12224	1
15	SHIFT PEDAL ASSY	5UL-18110-00	1
16	BOLT, SCREW	T0206020	1

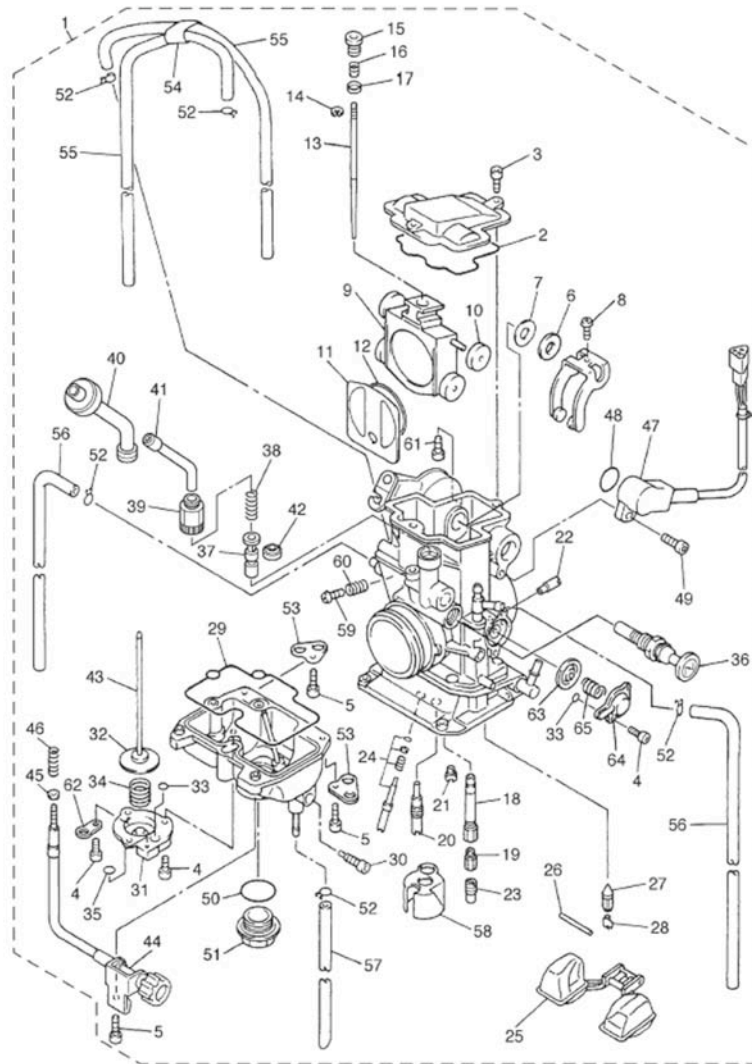








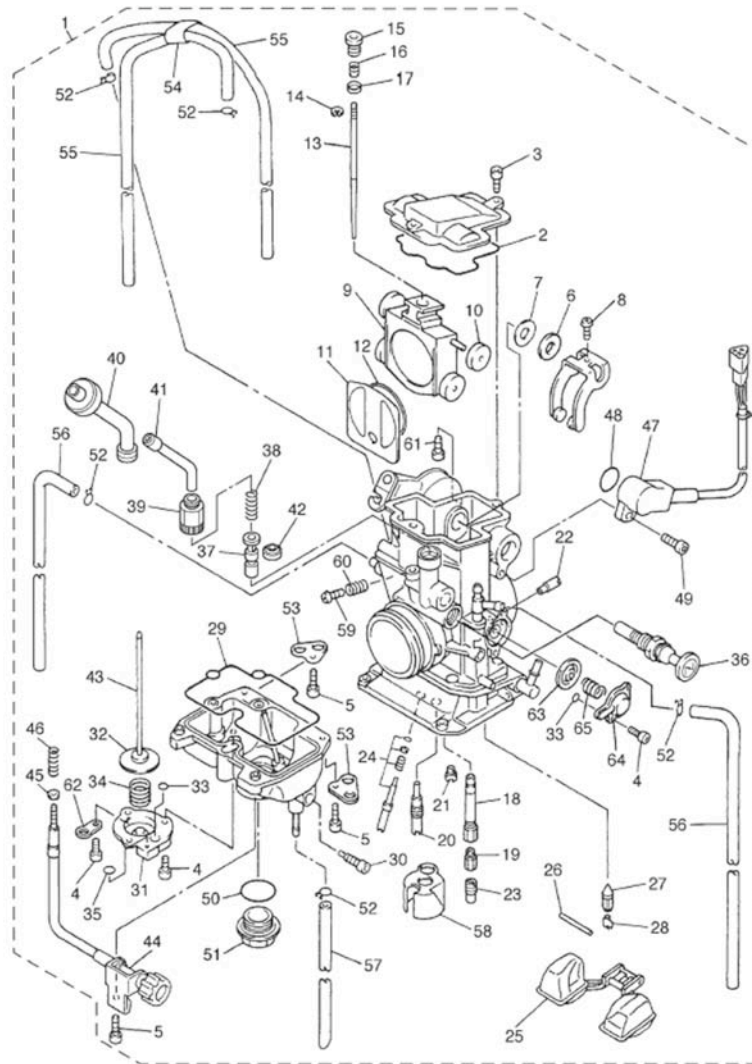




Nº	DESCRIPCION / DESCRIPTION			Cant.
1	CARBURATOR ASSY 1		5UM-14101-80	1
2	GASKET		5JG-14959-00	1
3	BOLT		91316-04012	2
4	SCREW		688-14592-00	5
5	SCREW, PAN HEAD		98502-04012	4
6	WASHER, PLATE		90202-08045	1
7	WASHER		5JG-14951-00	1
8	SCREW, ADJUST		5JG-14522-00	1
9	VALVE, VACUM CONTROL		5JG-14388-00	1
10	ROLLER		3TJ-14267-40	1
11	VALVE, NEEDLE		5JG-14546-01	1
12	SEAL		4FN-14997-00	1
13	NEEDLE (#OBERP)	STD.	5UM-14916-EP	1
	NEEDLE (#OBERL)	AP	5UM-14916-EL	1
	NEEDLE (#OBERM)	AP	5UM-14916-EM	1
	NEEDLE (#OBERN)	AP	5UM-14916-EN	1
	NEEDLE (#OBERQ)	AP	5UM-14916-E1	1
	NEEDLE (#OBERR)	AP	5UM-14916-ER	1
	NEEDLE (#OBERS)	AP	5UM-14916-ES	1
	NEEDLE (#OBERK)	AP	5UM-14916-EK	1
	NEEDLE (#OBEQL)	AP	5JG-14916-1L	1
	NEEDLE (#OBEQM)	AP	5JG-14916-1M	1
	NEEDLE (#OBEQN)	AP	5JG-14916-1N	1
	NEEDLE (#OBEQP)	AP	5JG-14916-1P	1
	NEEDLE (#OBEQQ)	AP	5JG-14916-11	1
	NEEDLE (#OBEQR)	AP	5JG-14916-1R	1
	NEEDLE (#OBEQS)	AP	5JG-14916-1S	1
14	CLIP		3TJ-14159-40	1
15	SCREW, ADJUST		5JG-14521-00	1
16	SPRING		5JG-14275-00	1
17	COLLAR		5JG-14264-00	1
18	NOZZLE, MAIN		5JG-14947-00	1
19	JET, MAIN (#168)	STD.	4MX-14943-91	1
	JET, MAIN (#158)	AP	4MX-14943-89	1

**GAS GAS**

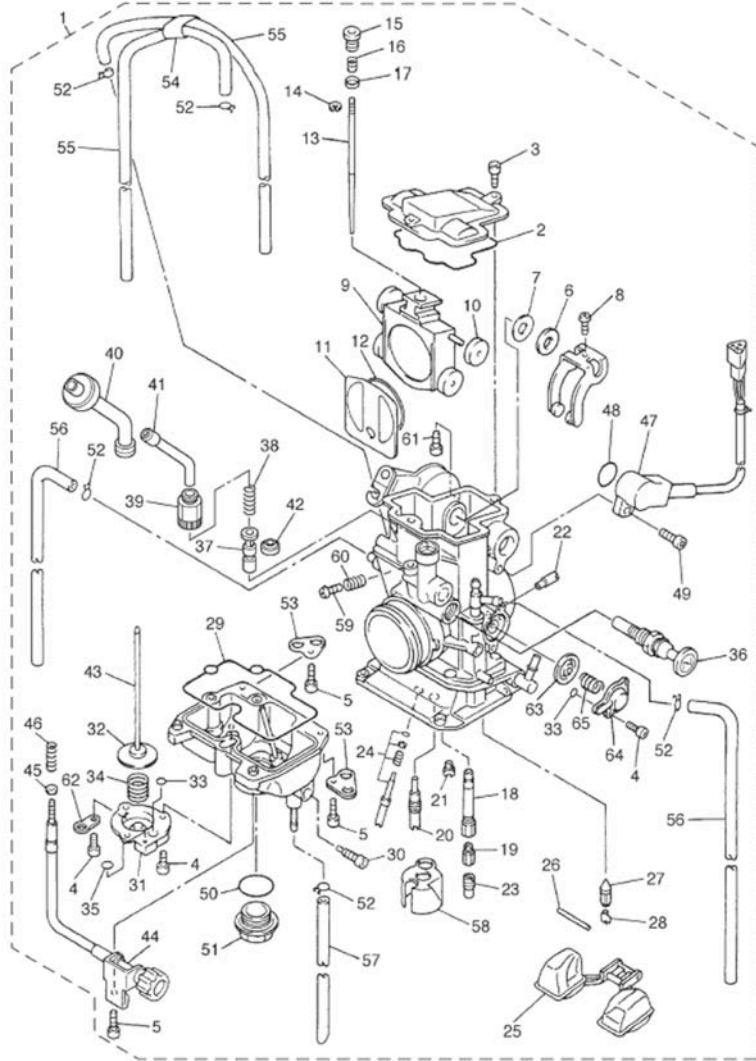
**Motor 20**



Nº	DESCRIPCION / DESCRIPTION			Cant.
	JET, MAIN (#160)		AP	4MX-14943-39 1
	JET, MAIN (#162)		AP	4MX-14943-90 1
	JET, MAIN (#165)		AP	4MX-14943-40 1
	JET, MAIN (#170)		AP	4MX-14943-41 1
	JET, MAIN (#172)		AP	4MX-14943-92 1
	JET, MAIN (#175)		AP	4MX-14943-42 1
	JET, MAIN (#178)		AP	4MX-14943-93 1
20	JET, SLOW (#40)		STD.	4MX-14948-03 1
	JET, SLOW (#35)		AP	4MX-14948-01 1
	JET, SLOW (#38)		AP	4MX-14948-02 1
	JET, SLOW (#42)		AP	4MX-14948-04 1
	JET, SLOW (#45)		AP	4MX-14948-05 1
21	JET (#72)		STD.	3TJ-1494F-16 1
	JET (#68)		AP	3TJ-1494F-14 1
	JET (#70)		AP	3TJ-1494F-15 1
	JET (#75)		AP	3TJ-1494F-17 1
	JET (#78)		AP	3TJ-1494F-18 1
22	JET, MAIN (#70)			5TA-14943-15 1
23	JET, (#95)		STD.	4JT-1494F-25 1
	JET, (#65)		AP	4JT-1494F-13 1
	JET, (#70)		AP	4JT-1494F-15 1
	JET, (#75)		AP	4JT-1494F-17 1
	JET, (#80)		AP	4JT-1494F-19 1
	JET, (#85)		AP	4JT-1494F-21 1
	JET, (#90)		AP	4JT-1494F-23 1
	JET, (#100)		AP	4JT-1494F-27 1
	JET, (#105)		AP	4JT-1494F-28 1
	JET, (#110)		AP	4JT-1494F-29 1
	JET, (#115)		AP	4JT-1494F-30 1
	JET, (#120)		AP	4JT-1494F-31 1
	JET, (#125)		AP	4JT-1494F-32 1
	JET, (#130)		AP	4JT-1494F-33 1
24	PILOT SCREW SET			5NL-14105-00 1
25	FLOAT			4SR-14985-00 1

**GAS GAS**

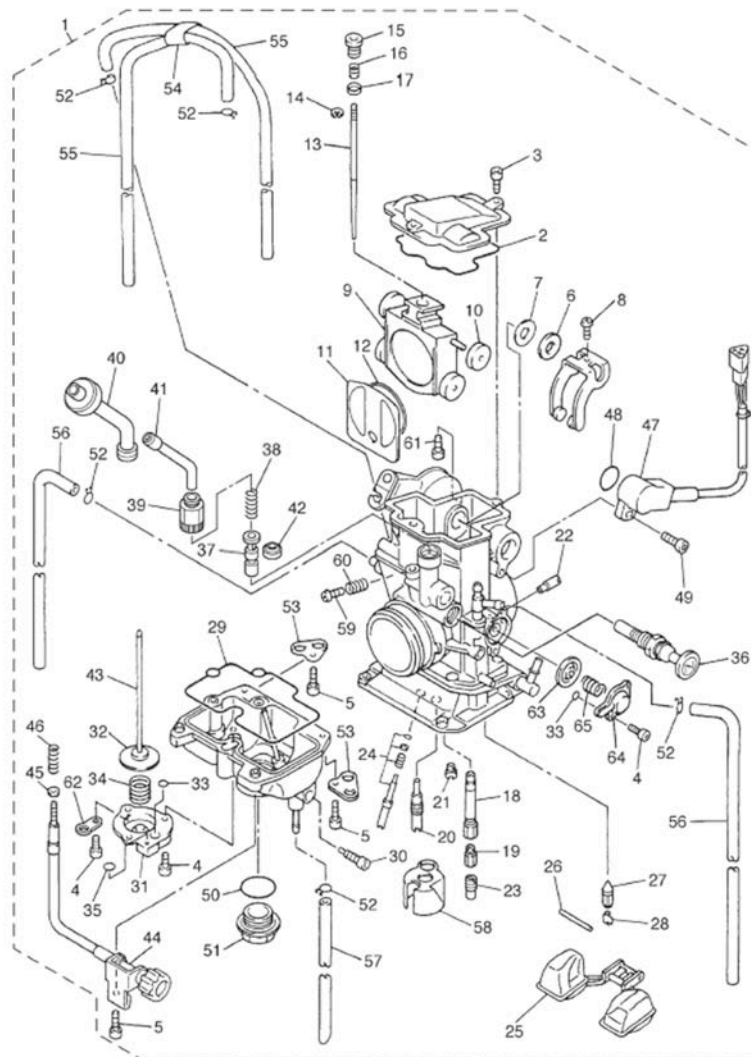
**Motor 20**



Nº	DESCRIPCION / DESCRIPTION		Cant.
26	PIN, FLOAT ARM	676-14548-00	1
27	VALVE, NEEDLE	4MX-14392-00	1
28	CLIP	633-14159-00	1
29	GASKET, FLOAT CHAMBER	5JG-14984-00	1
30	PLUG, DRAIN	3TJ-14191-40	1
31	COVER 1	3TJ-14293-40	1
32	DIAPHRAGM ASSY	STD. 5JG-14940-76	1
	DIAPHRAGM ASSY	AP 5JG-14940-16	1
	DIAPHRAGM ASSY	AP 5JG-14940-17	1
	DIAPHRAGM ASSY	AP 5JG-14940-18	1
33	GASKET	3TJ-14536-40	2
34	SPRING, DIAPHRAGM	3TJ-14933-40	1
35	O-RING	6H4-14561-00	1
36	PLUNGER, STARTER	5TA-14171-00	1
37	PLUNGER, STARTER	5TA-14371-00	1
38	SPRING, PLUNGER	5TA-14335-00	1
39	SCREW	5TA-14991-00	1
40	CAP, PLUNGER	5TA-14374-00	1
41	GUIDE, CABLE	5TA-14155-00	1
42	SEAL	5TA-14997-00	1
43	ROD, STARTER	5JG-14379-00	1
44	SCREW, THROTTLE	5JG-14922-00	1
45	WASHER, PLATE	90201-08410	1
46	SPRING, THROTTLE STOP	5TA-14934-00	1
47	TJROTTLE SENSOR ASSY	5TA-85885-00	1
48	O-RING	5NX-14562-00	1
49	SCREW	5NX-14216-00	1
50	O-RING	4MX-14561-00	1
51	PLUG, SCREW	4MX-14115-00	1
52	CLIP	3TJ-14137-40	5
53	PLATE	5BE-14146-00	2
54	HOLDER	5TA-14261-00	1
55	PIPE	5UL-14196-00	2
56	PIPE	5TA-14197-00	2

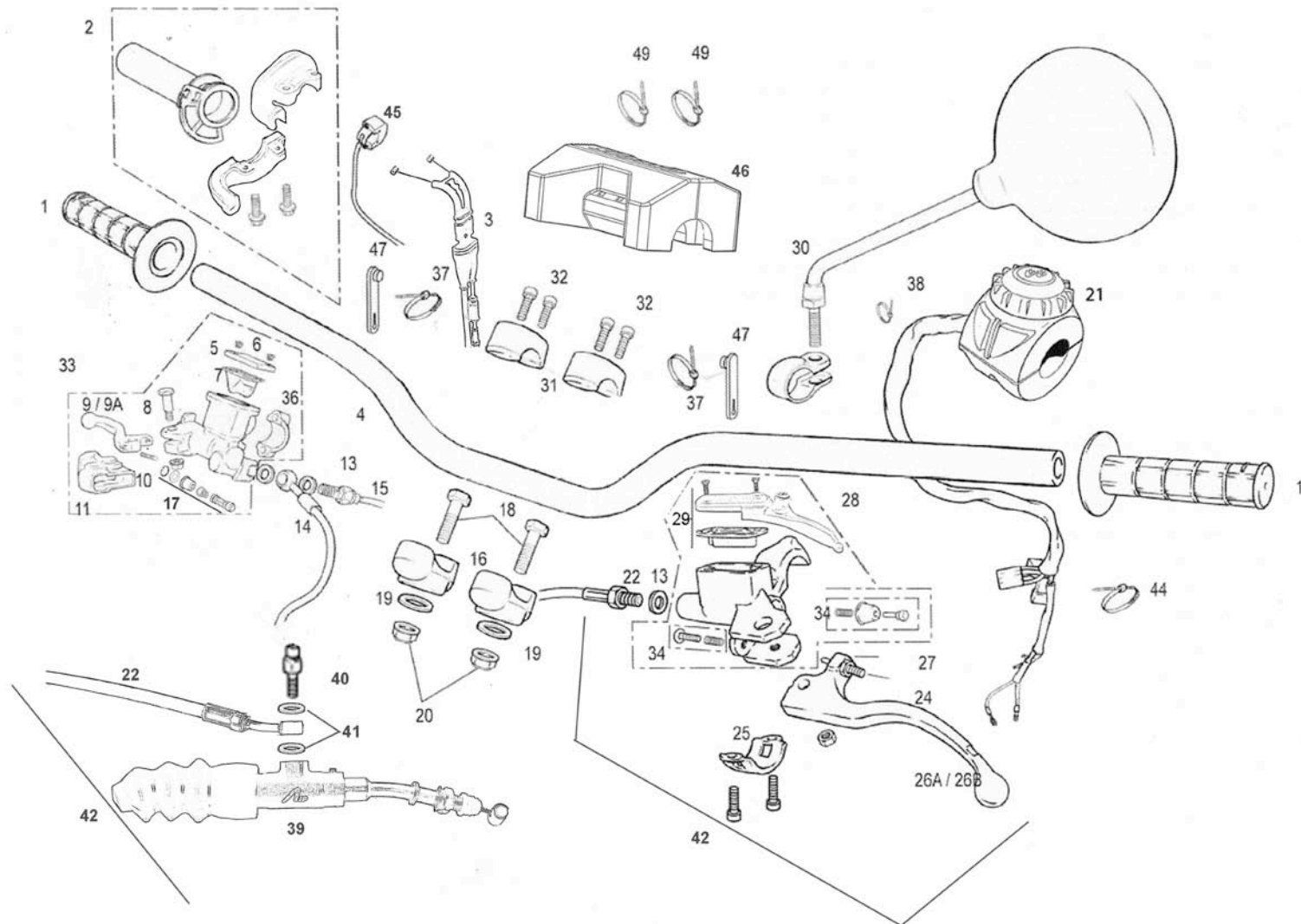
**GAS GAS**

**Motor 21**





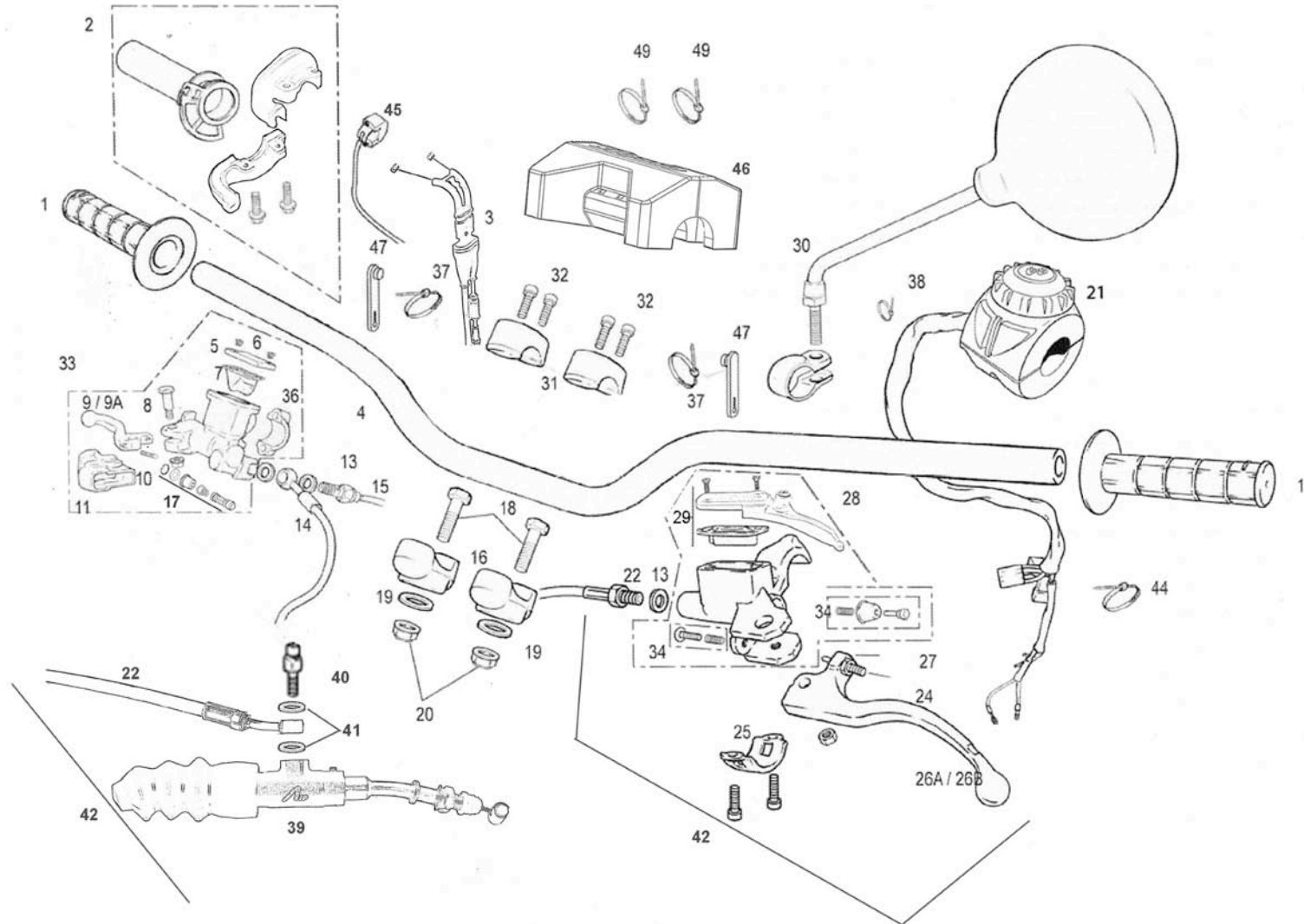




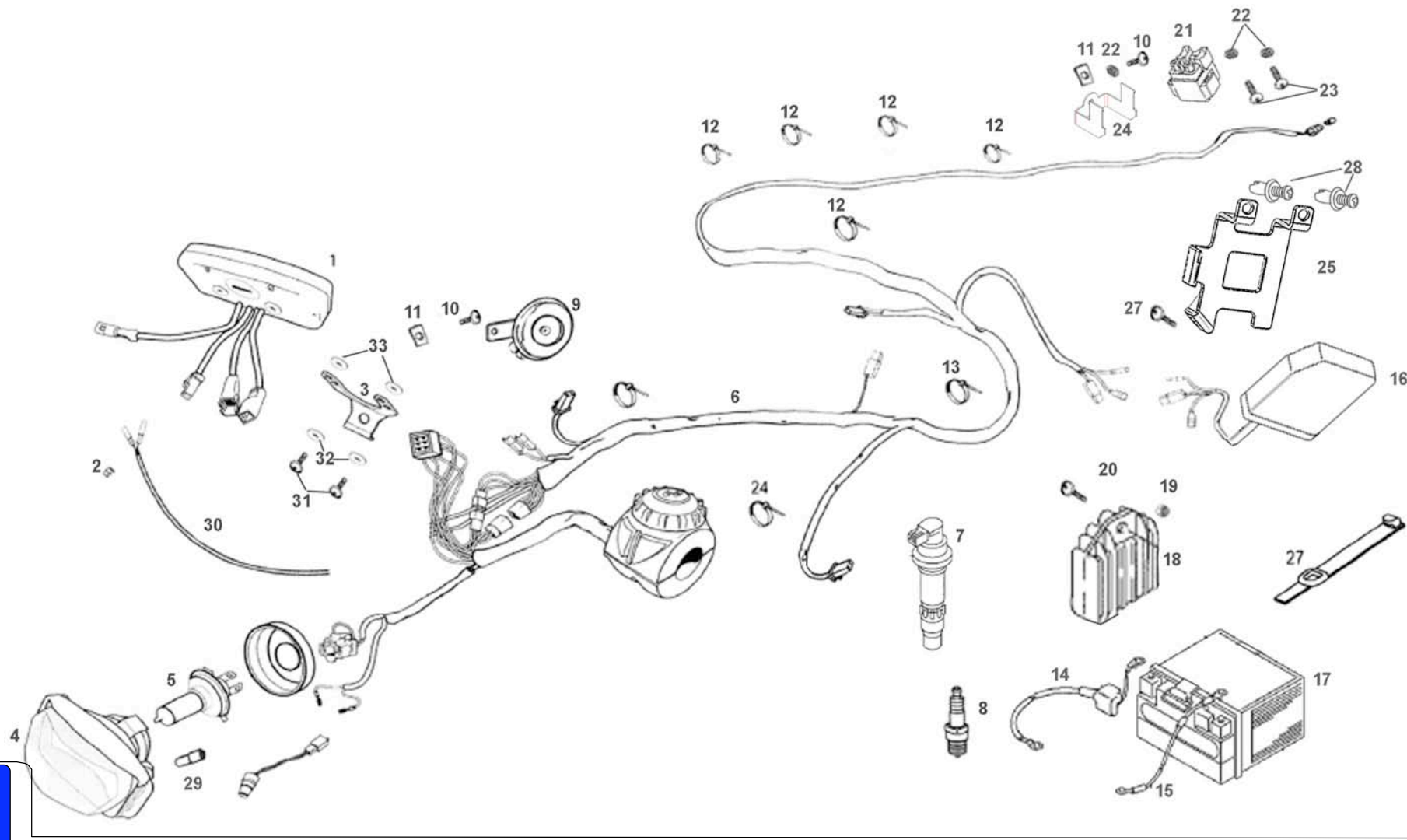
Nº	DESCRIPCION / DESCRIPTION		Cant.
1	JUEGO DE EMPUÑADURAS / C798HANDLEBAR GRIP (PAIR)	BE261002508	1
2	PUÑO DE GAS / TWIST GRIP	BFS260002510	1
3	CABLE DE GAS / THROTTLE CABLE	BFS785002510	1
4	MANILLAR COMPLETO / STEERING HANDLEBAR SET	BE250002510	1
5	TAPA BOMBA FRENO / BRAKE PUMP COVER	BC25922210	1
6	TORNILLO TAPA BOMBA / BRAKE PUMP SCREW	BC25922217	2
7	GOMA ANTIESPUMANTE / NO-FOAM RUBBER	BC25922216	1
8	TORNILLO ESPECIAL / SPECIAL SCREW	BC25922212	1
9	MANETA FRENO DELANTERO / FRONT BRAKE LEVER	BC250022045	1
9A	MANETA FRENO TT 250 / FRONT BRAKE TT 250	BC250022045R	1
10	TENSOR MANETA BOMBA / PUMP LEVER TENSOR	BC25922218	1
11	GUARDAPOLVO / DUST COVER	BC25922213	1
12	TORNILLO ALLEN 6X35 / 6X35 ALLEN SCREW	-	1
13	ARANDELA LATIGUILLO 10X14X1 / HOSE WASHER 10X14X1	BE25622007	3
14	LATIGUILLO FRENO DELANTERO / FRONT BRAKE HOSE	BE250422002	1
15	INTERRUPTOR STOP BOMBA / PUMP STOP SWITCH	BE250334003	1
16	BRIDA SUJECIÓN MANILLAR INFERIOR / HANDLEBAR CLAMP (LOWER)	BE250614013	2
17	KIT PISTÓN BOMBA FRENO "A" / "A" BRAKE PUMP PISTON KIT	BC25922219	1
18	*TORNILLO ESPECIAL 10X45 / 10X45 SPECIAL BOLT	T0201045	2
19	DISTANCIADOR BRIDA INFERIOR MANILLAR EC2003 / CLAMP HANDLEBAR SPACER	BE250314035	2
20	TUERCA CILINDRO 8.8 ESP. 10/150C13 / NUT CYLINDER M10	T3110003	2
21	CONMUTADOR LUZ / LIGHT SWITCH	EE602012510	1
22	LATIGUILLO EMBRAGUE / CLUTCH HOSE	BFS470002510	1
23	ARANDELA / WASHER	T4006018	1
24	TORNILLO REGULACIÓN MANETA / ADJUSTING LEVER SCREW	BT27922046	1
25	SOPORTE BOMBA EMBRAGUE / CLUTCH PUMP CLAMP	BE250022211	1
26A	MANETA EMBRAGUE CORTA / SHORT CLUTCH LEVER	BT27922040	1
26B	MANETA EMBRAGUE LARGA (SERIE) / LONG CLUTCH LEVER (STANDARD)	BE250622040	1
27	TUERCA M6 BAJA / M6 LOW NUT	T2006001	1
28	BOMBA EMBRAGUE HIDRÁULICO / HYDRAULIC CLUTCH PUMP	BE250522009	1
29	KIT TAPA BOMBA FRENO EMBRAGUE / CLUTCH BRAKE PUMP COVER KIT	BE250522210	1
30	ESPEJO RETROVISOR / REAR-VIEW MIRROR	L300760	2
31	BRIDA SUJECIÓN MANILLAR SUPERIOR / HANDLEBAR CLAMP (UPPER)	BE250614012	2

**GAS GAS**

**Chasis 1**



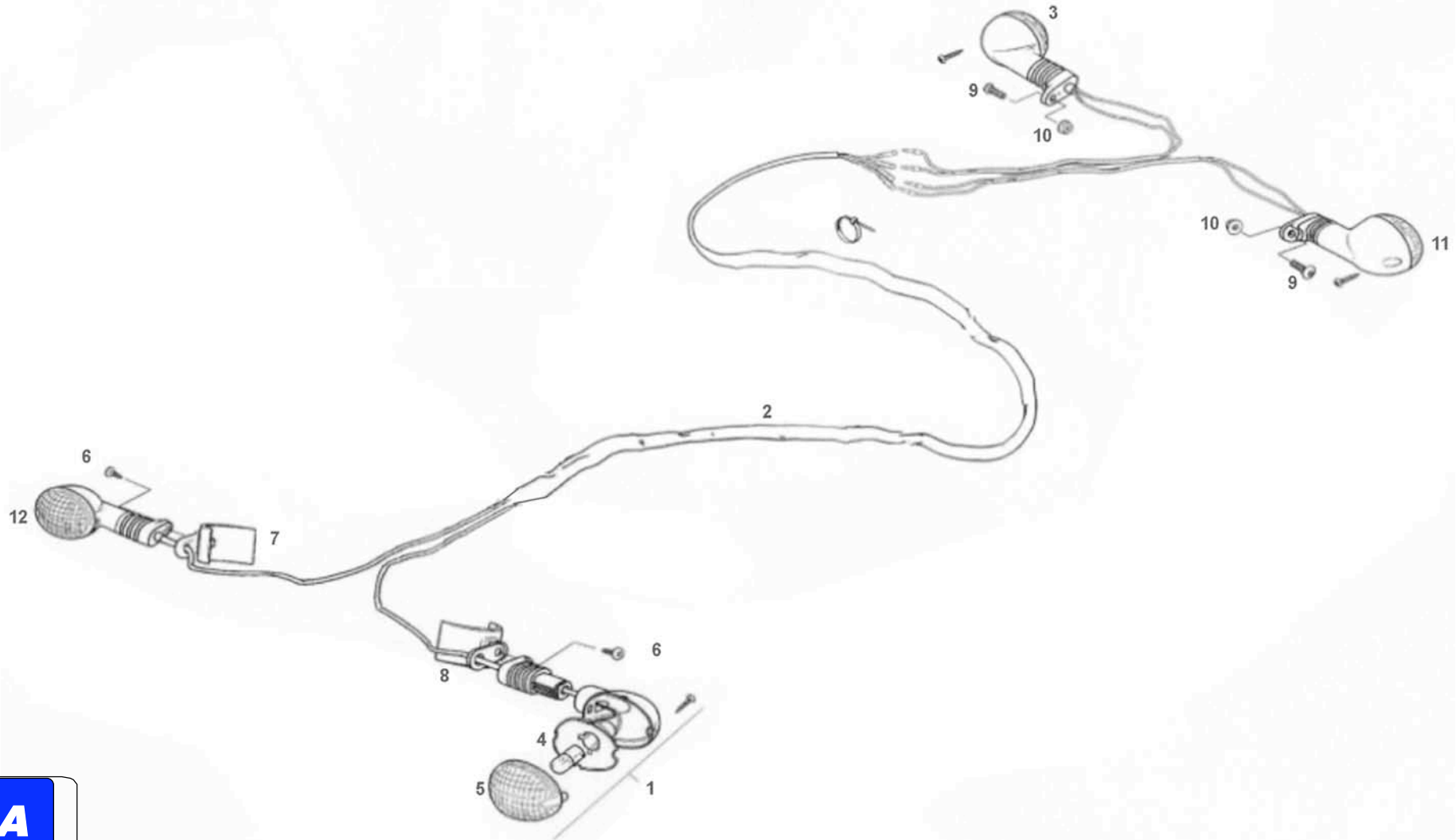




Nº	DESCRIPCION / DESCRIPTION		Cant.
1	CTO. MULTIFUNCIÓN ENDURO / ENDURO MULTIFUNCTION SET	EE60000GR2508	1
2	PASACABLES CTA. KMS. / SPEED CABLE HOSE	BE250334053	3
3	SOPORTE MULTIFUNCIÓN / MULTIFUNCTION SUPPORT	BFS450634045	1
4	OPTICA HALOGENA / OPTIC HALOGEN	EE200002508	1
5	BOMBILLA HALOGENA / HALOGEN LAMP	L300125	1
6	INSTALACION LUZ / LIGHT INSTALATION	EFS100012510	1
7	BOBINA / IGNITION COIL	EFS513002510	1
8	BUJIA / SPARK	MFS400134000	1
9	CLAXON / KLAXON	EFS204004508	1
10	ULS 6X16 ARAND. INC. / BOLT ULS 6X16 WASHER	T0556016	2
11	GRAPA NUT 6 / 6 NUT	T2606000	2
12	BRIDA SERRETA / FLANGE	BE25634009	5
13	BRIDA SERRETA CORTA / SHORT FLANGE	BE25634010	1
14	CABLE POSITIVO / POSITIVE CABLE	EFS400152510	1
15	CABLE MASA / MASA CABLE	EFS400102510	1
16	CDI	EFS511002510	1
17	BATERIA / BATTERY	BFS400134080/3	1
18	REGULADOR /REGULATOR	EFS512002510	1
19	TUERCA M6 ALTA CON ARAND. / NUT METRIC 6 AND WASHER	T2106002	1
20	ULS 6X20 ARANDELA INCORP. / BOLT ULS 6X20 WASHER	T0556020	1
21	RELE ARRANQUE / STARTER RELAY	BFS400134075/2	1
22	ARANDELA ABANICO / FAN WASHER	T4006020	3
23	ULS 6X10 / BOLT 6X10 ULS	T0506010	2
24	SOPORTE RELE / SUPORT RELAY	BFS450480119	1
25	SOPORTE CDI / CDI SUPORT	EE551002508	1
26	GOMA CDI / CDI RUUBER	BE250034100	1
27	TORNILLO CHAPA / SCREW PLATE	T0706316	1
28	CLIP / CLIP	MFS450580013/2	2
29	BOMBILLA LUZ POSICIÓN / POSITION LIGHT	L300126	1
30	CABLE MULTIFUNCION / MULTIFUNTION CABLE	BE250634050	1
31	ULS 4X10 / SCREW ULS 6X10	T0554010N/3	2
32	ARANDELA GOMA MULTIFUNCION / MULTIFUNTION RUBBER WASHER	EE650102508	2
33	ARANDELA 4X12X1 / 4X12X1 WASHER	T4004012	2

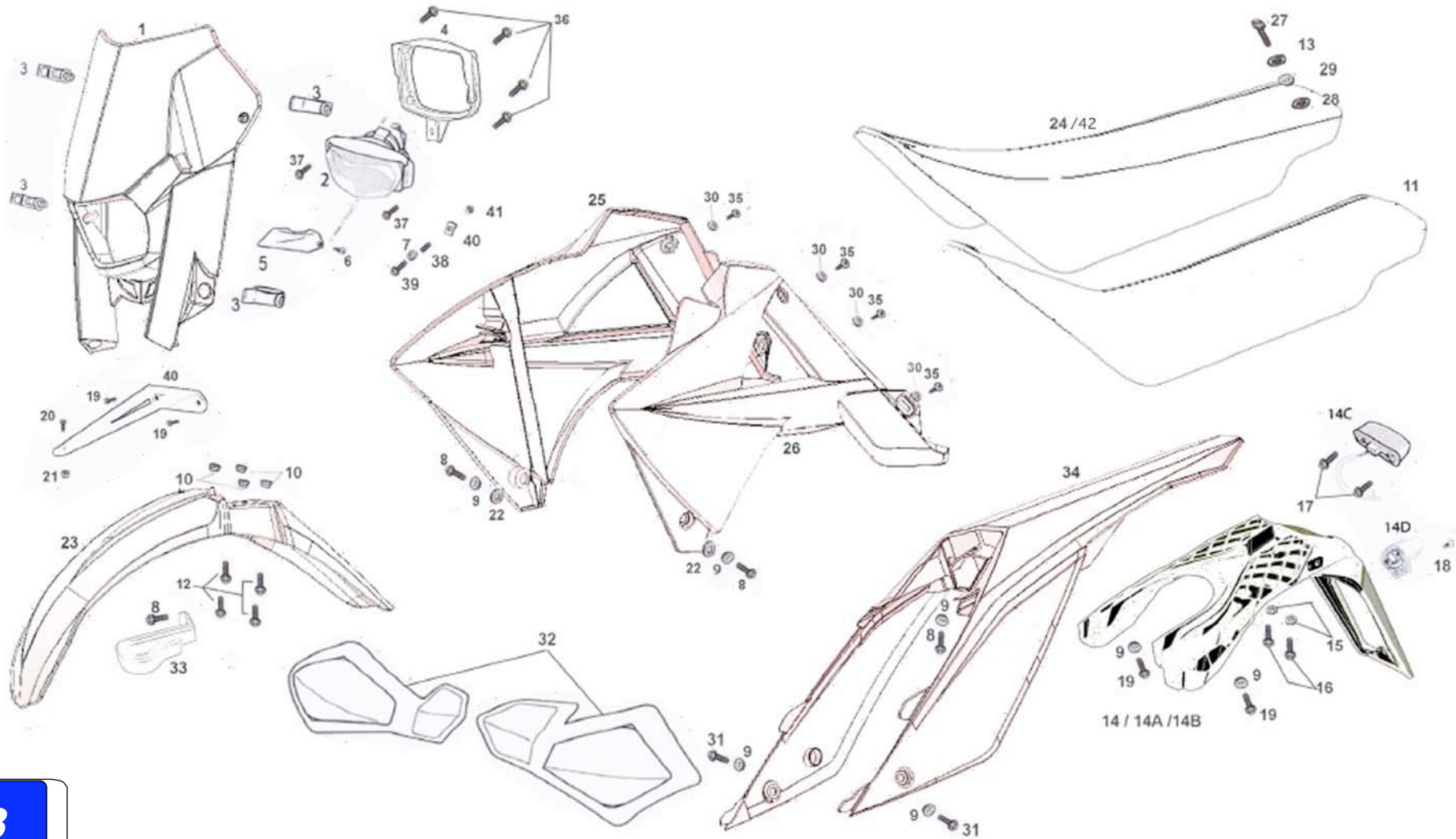
**GAS GAS**

**Chasis 2**





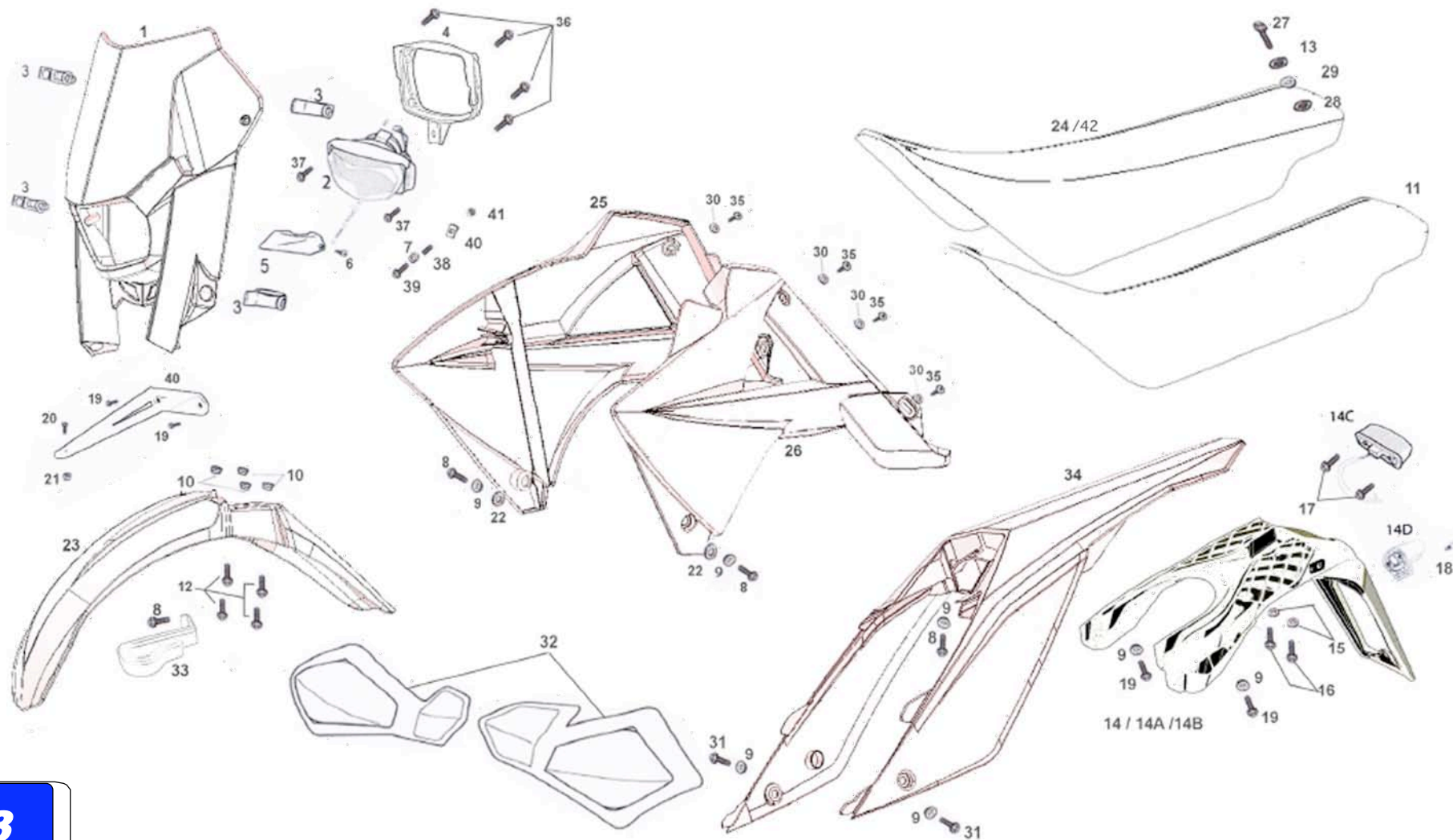




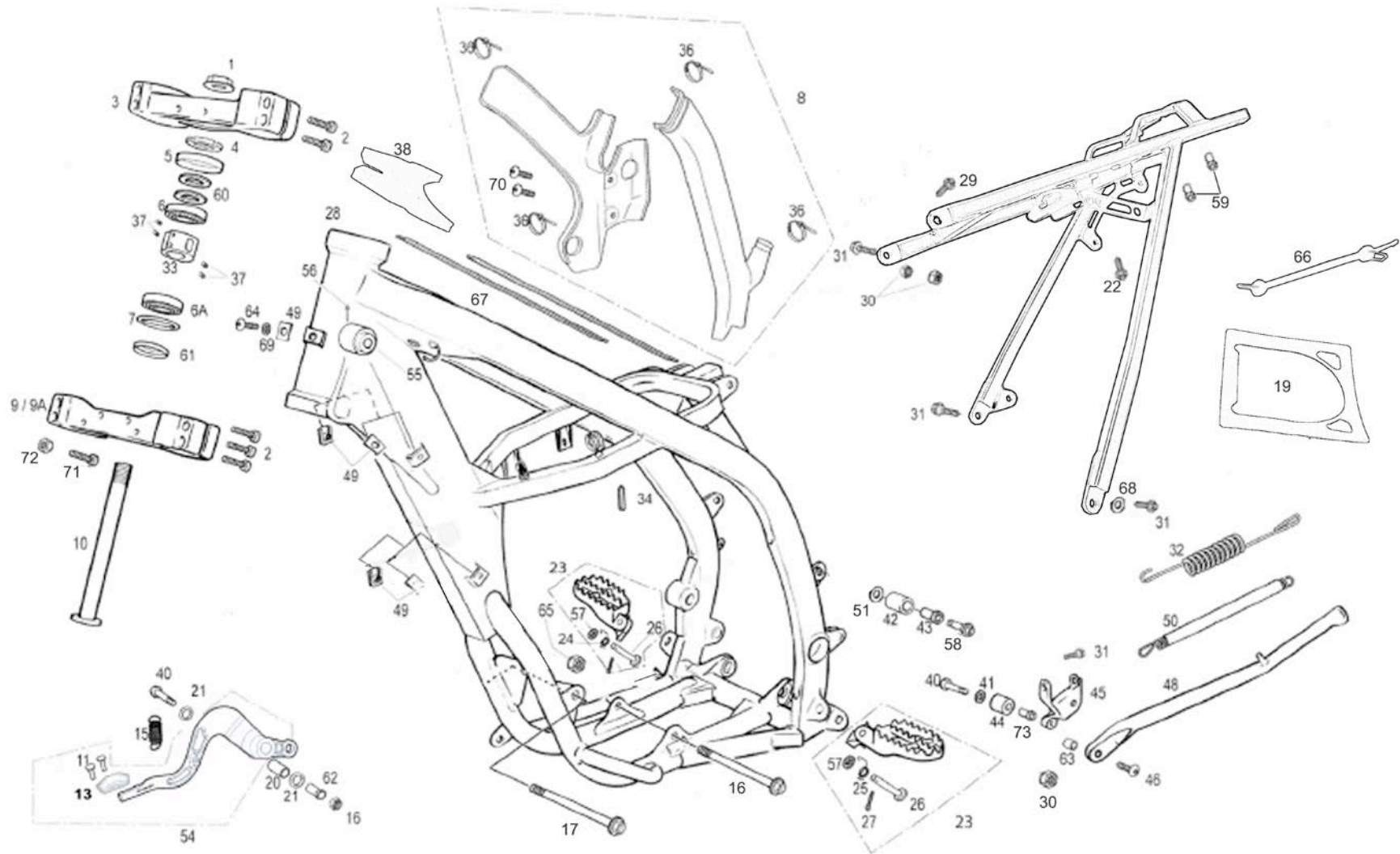
Nº	DESCRIPCION / DESCRIPTION			Cant.
1	PORTAFAROS DELANTERO NEGRO / FRONT HEADLAMP BLACK		BE90500NR2509	1
2	OPTICA HALOGENA / OPTIC HALOGEN		EE200002508	1
3	GOMA SUJECCION FARO / RUBBER SECURIN HEADLAMP		BE25636015	4
4	SOPORTE OPTICA / HEADLAMP SUPORT		EE250002508	1
5	TAPETA GUIA FARO / LIGHTHOUSE RUG GUIDE		BEH90550SM1209	1
6	TORNILLO ROSCA PLASTICO / PLASTIC SCREW THREAD		BE250420063/2	3
7	ARAND. 4X12X1 / 4X12X1 WASHER		T4004012	1
8	TORNILLO ESPECIAL 6X14 / SPECIAL SCREW 6X14		T0206014	4
9	CASQUILLO TAPA / RADIATOR CAP COVER		BE250032060	7
10	CASQUILLO GUARDABARROS / FENDER CAP		BE250014118	4
11	BASE ASIENTO / SEAT BASE		BE250710019	1
12	TORN. ESPECIAL 6X20 / SPECIAL SCREW 6X20		T0606020	4
13	CASQUILLO SILLIN ALUMINIO ROJO / ALUMINUM SEAT RED CAP		BE940602510	1
14	PORTA MATRICULA / TUITION SUPPORT		BE25072003	1
14A	PORTA MATRICULA COMPLETO / KIT TUITION SUPPORT		BE25072003CT	1
14B	PORTA MATRICULA COMPLETO RACING / RACING KIT TUITION SUPPORT		BE25072003USCT	1
14C	LUZ PILOTO /PILOT LIGHT		BE250734015	1
14D	LUZ MATRICULA /LIGHT ENROLLMENT		BE250734124	1
15	ARAND. 5X12X1 / WASHER		T4005012	1
16	TORNILLO ROSCA PLASTICO / PLASTIC SCREW THREAD		BE250728058	2
17	TORNILLO ROSCA CHAPA 3X9 /SCREW SHEET METAL SCREW		T1003009	2
18	UFK M5X12 / 5X12 UFK		T0315012	1
19	TORNILLO ESPECIAL 6X20 / SPECIAL SCREW 6X20		T0206020	4
20	ULS 6X16 / 6X16 ULS		T0556016	1
21	TUERCA ESTRIADA M6 / GROOVED NUT METRIC 6		T2206000	1
22	ARANDELA NYLON / NYLON WASHER		T06065017	2
23	GUARDABARROS DELANTERO NEGRO /FRONT FENDER BLACK		BE91000NR2509	1
24	FUNDA SILLIN / SEAT COVER		BE940012510	1
25	TAPA RADIADOR DRCH. NEGRA / BLACK RIGHT RADIATOR COVER		BE915002510	1
26	TAPA RADIADOR IZQ. NEGRA / BLACK LEFT RADIATOR COVER		BE920002510	1
27	TORNILLO ESP. 6X30 / ESPECIAL SCREW 6X30		T0206030	1
28	ARANDELA PLSTICO /PLASTIC WASHER		BE250710213	1
29	CASQUILLO SILLIN / SEAT CAP		BE25610007	1
30	CASQUILLO TAPA RADIADOR / RADIATOR CAP COVER		BE915502510	4

**GAS GAS**

**Chasis 3**





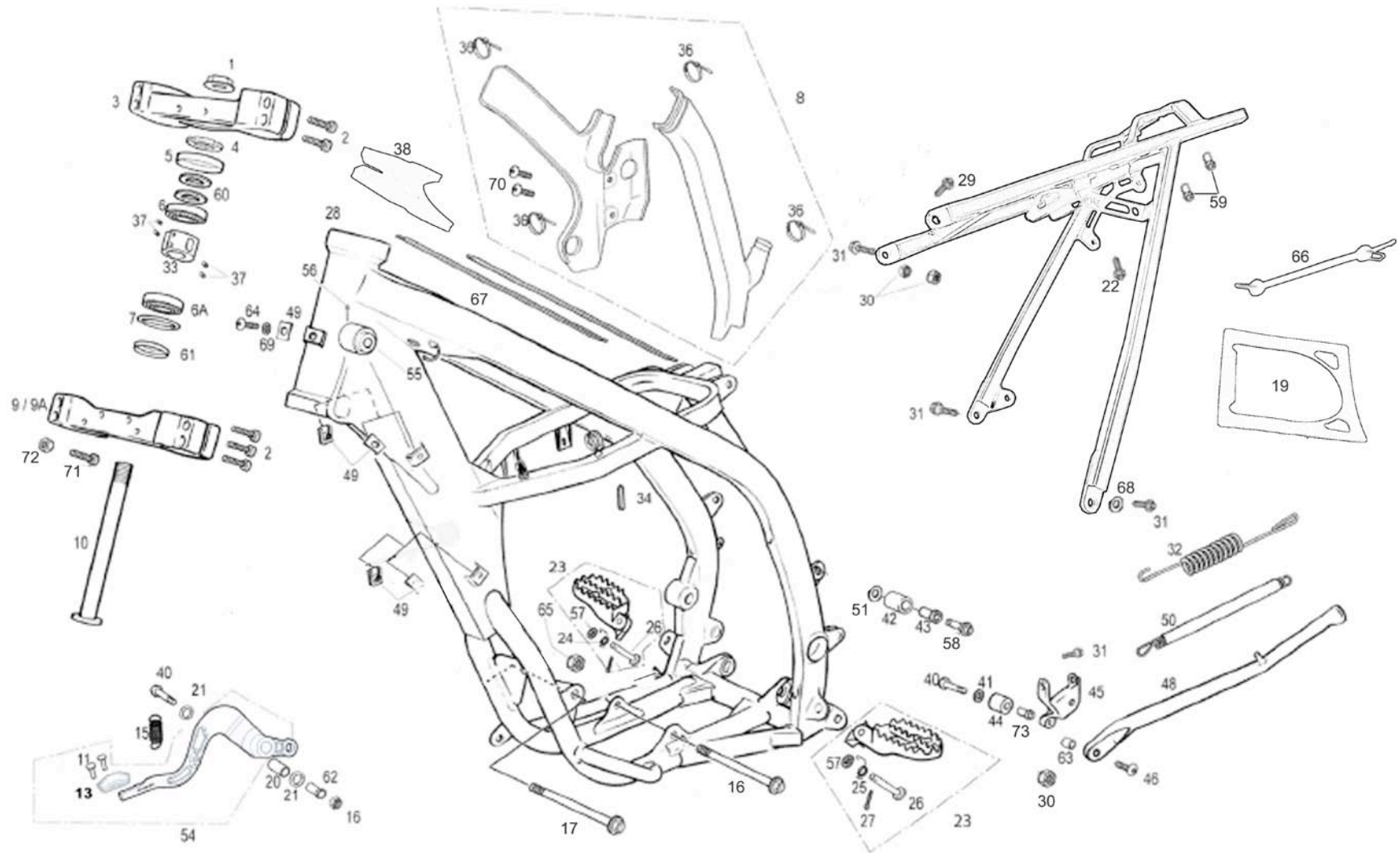


Nº	DESCRIPCION / DESCRIPTION			Cant.
1	TUERCA DIRECCIÓN / STEERING SHAFT NUT		BE25610030	1
2	ALLEN 7X30 / 7X30 ALLEN BOLT		T0307030	10
3	BRIDA SUSPENSIÓN SUPERIOR / FORK CLAMP (UPPER)		BE220002510	1
4	TUERCA DIRECCIÓN INFE. / LOWER STEERING SHAFT NUT		BE25610029	1
5	GUARDAPOLVO COJINETE DIRECCIÓN / BEARING DUST COVER		BE25610126	1
6	COJINETE DIRECCIÓN / STEERING BEARING		BE25610008	1
6A	COJINETE DIRECCIÓN / STEERING BEARING		BE250610008	1
7	TÓRICA DIRECCIÓN 50X5 / STEERING O'RING		BE25610012	1
8	CONJUNTO PROTECTOR DE CHASIS / FRAME PROTECTION SET		BE19000CT2510	1
9	BRIDA SUSPENSIÓN INFERIOR / FORK CLAMP (LOWER)		BE210001210	1
10	EJE DIRECCIÓN / STEERING SHAFT		BE250614003	1
11	ALLEN 5X12 / 5X12 ALLEN		T0305012	2
12	PEDAL FRENO /		BE130002510	1
13	PUNTERA PEDAL FRENO / BRAKE PEDAL END		BE130102510	1
15	MUELLE PEDAL FRENO / BRAKE PEDAL SPRING		BE25610023	1
16	TORNILLO 10X120 / 10X120 SCREW		T0310120	1
17	TORNILLO 10X130 / 10X130 SCREW		T0310130	1
18	TUERCA M10 / M10 NUT		T3110003	2
19	ESPUMA BATERIA / BATTERY FOAM		BFS450734090	1
20	GLACIER PEDAL FRENO / BRAKE PEDAL BEARING		BE250010009	1
21	TÓRICA PEDAL ARRANQUE D 11X2 / 11X2 KICKSTART O'RING		ME250036063	2
22	TORNILLO ESP. CON VALONA / SPECIAL SCREW 6X20		T0606020	1
23	KIT ESTRIBOS / FOOTREST SET		BE250510002CT	1
24	MUELLE ESTRIBO DERECHO / RIGHT FOOTREST SPRING		BE25610037	1
25	MUELLE ESTRIBO IZQUIERDO / LEFT FOOTREST SPRING		BE25610038	1
26	CASQUILLO ESTRIBO / FOOTREST BUSHING		BE25610006	2
27	CLAVILLA ZINC 3X35 / 3X35 ZINC PIN		BE25622022	2
28	CHASIS ENDURO / ENDURO FRAME		BFS100012510	1
29	TORNILLO ESPECIAL 8X25 / 8X25 SPECIAL SCREW		T0208025	1
30	TUERCA AUTOBLOCANTE M8 BAJA / LOW M8 SELF-LOCKING NUT		T2108001	3
31	TORNILLO ESPECIAL 8X20 / SPECIAL SCREW 8X20		T0208020	3
32	MUELLE EXTERIOR CAVALLETE / SUPPORT OUTER SPRING		BE250510039	1
33	CASQUILLO ANTIRROBO EJE DIRECCIÓN / STEERING AXLE ANTI-THEFT BUSHING		BE242002510	1
34	FUNDA CLIP 1X70 CHASIS / CHASSIS CLIP SLEEVE 1X70		BE250411000	3

**GAS GAS**

**Chasis 4**



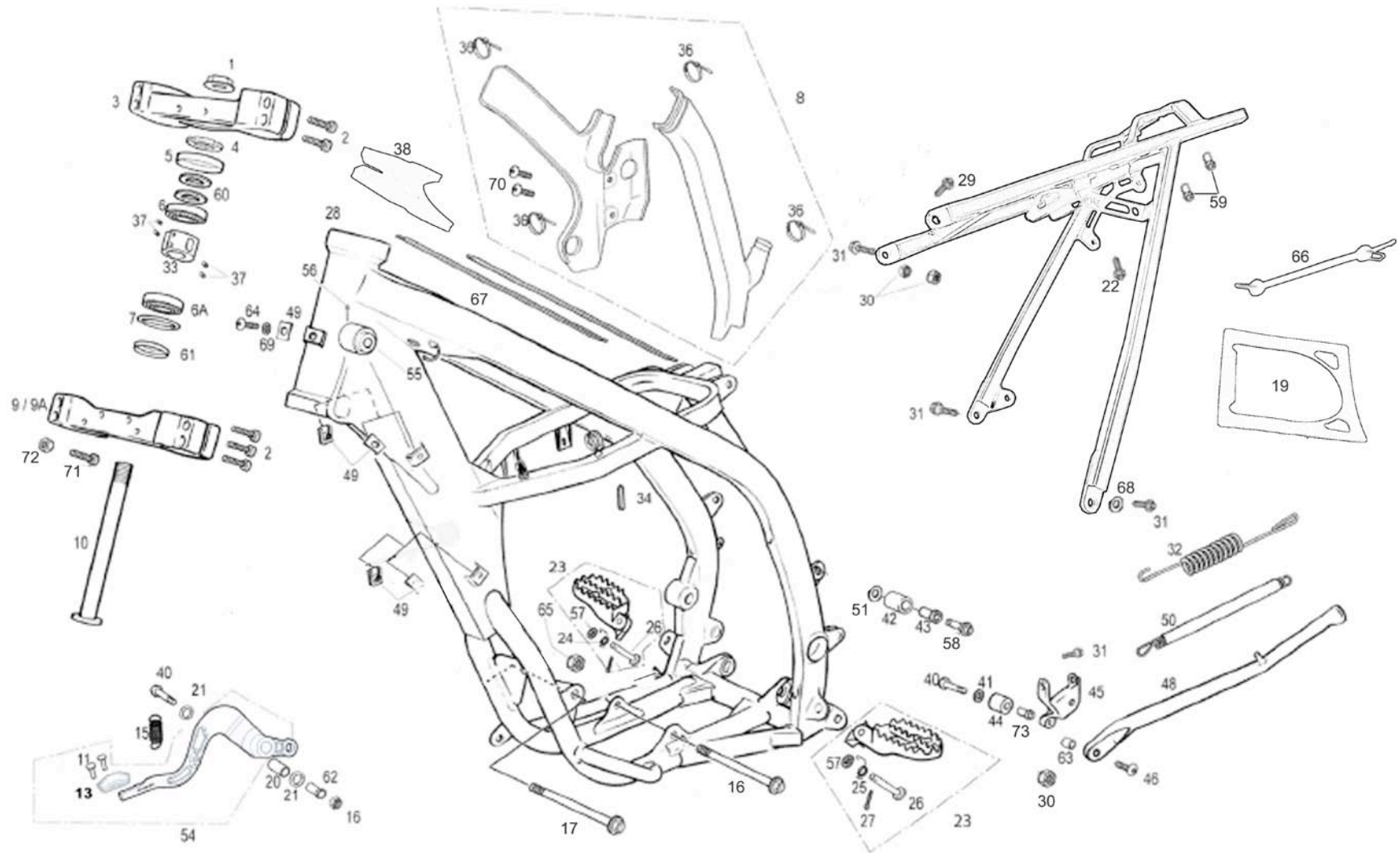


Nº	DESCRIPCION / DESCRIPTION		Cant.
35	BRIDA UNEX 2274 4.8X20 / 2274 UNEX CLAMP 4.8X20	BE25634009	1
36	BRIDA UNEX 2274 4.8X36 / 2274 UNEX CLAMP 4.8X36	BE25634007	4
37	TORNILLO PRISIONERO M6X8 / SET SCREW M6X8	BE250310073	4
38	ADHESIVO ESPUMA DEPOSITO / STICKY FOAM I DEPOSIT	BFS172102510	1
39	COLA CHASIS / FRAME TAIL	BFS120004508	1
40	TORNILLO ESPECIAL 8X45 / 8X45 SPECIAL SCREW	T0208045	1
41	ARANDELA 8X20X1.5 / 8X20X1.5 WASHER	T4008020	2
42	RODILLO GUIA CAD. SUP. / UPPER CHAIN ROLL	BE25610014	1
43	CASQUILLO ROD. 6.25X12X25 / 6.25X12X25 BUSHING	BE250712016	1
44	RODILLO GUIA CADENA 13.5X32X23.5 / LOWER CHAIN ROLL	BE25610032	1
45	SOPORTE CABALLETE / SIDE STAND HOLDER	BE250212023	1
46	ULS 8X30 / 8X30 ULS BOLT	T0508030	1
48	CABALLETE EC2005 / EC2005 SIDE STAND BRACKET	BE250512010	1
49	TUERCA ENJAULADA M6 / CAGED NUT M6	T2606000	5
50	MUELLE CABALLETE / SIDE STAND BRACKET SPRING	BE250410039	1
51	ARANDELA 6X20X1.5 / WASHER	T4006020	1
52	TUERCA AUTOBLOCANTE M6 ALTA / M6 SELF-LOCKING NUT HIGH	T2106002	2
54	CTO. PEDAL FRENO / BRAKE PEDAL SET	BE13000CT2510	1
56	CTO. ANTIRROBO / STEERING LOCK	BT280210075	1
57	ARANDELA 10.5x19X2 / 10.5x19X2 WASHER	T4001019	2
58	TORNILLO ESP. 6X45 / 6X45 SPECIAL SCREW	T0206045	1
59	TUERCA REMACHABLE / RIVETABLE NUT	BE250010070	4
60	ARANDELA DIRECCIÓN / STEERING WASHER	BE25610028	2
61	CAZOLETA DIRECCIÓN / STEERING CAP	BE250610026	1
62	CASQUILLO SOPORTE PEDAL FRENO EC250 / BRAKE PEDAL SUP. BUSHING	BE250210916	1
63	CASQUILLO CABALLETE EC2001 / SIDE STAND HOLDER BUSHING	BE250112011	1
64	TORNILLO ULS 6X16 / 6X16 ULS	T0506016	1
65	TUERCA AUTOBLOCANTE M10 / M10 SELF-LOCKING NUT	T3110003	2
66	CTO. SOPORTE BATERIA / JOINT ATTACHMENT BATTERY	BFS450734100CT	1
67	CTO. ADH. ESPUMA CHASIS / STICKY ASSEMBLY FOAM CHASSIS	BFS172002510	1
68	ARANDELA 8X16X1.5 / WASHER	T4008016	2
69	ARANDELA PLANA 6X12X1.5 / 6X12X1.5 WASHER	T4006012	2
70	ULS 6X20 CON ARANDELA ZINCADO / ULS 6X20 WITH ZINC WASHER	T0556020	2
71	ALLEN 8X20 / 8X20 ALLEN BOLT	T0308020	2

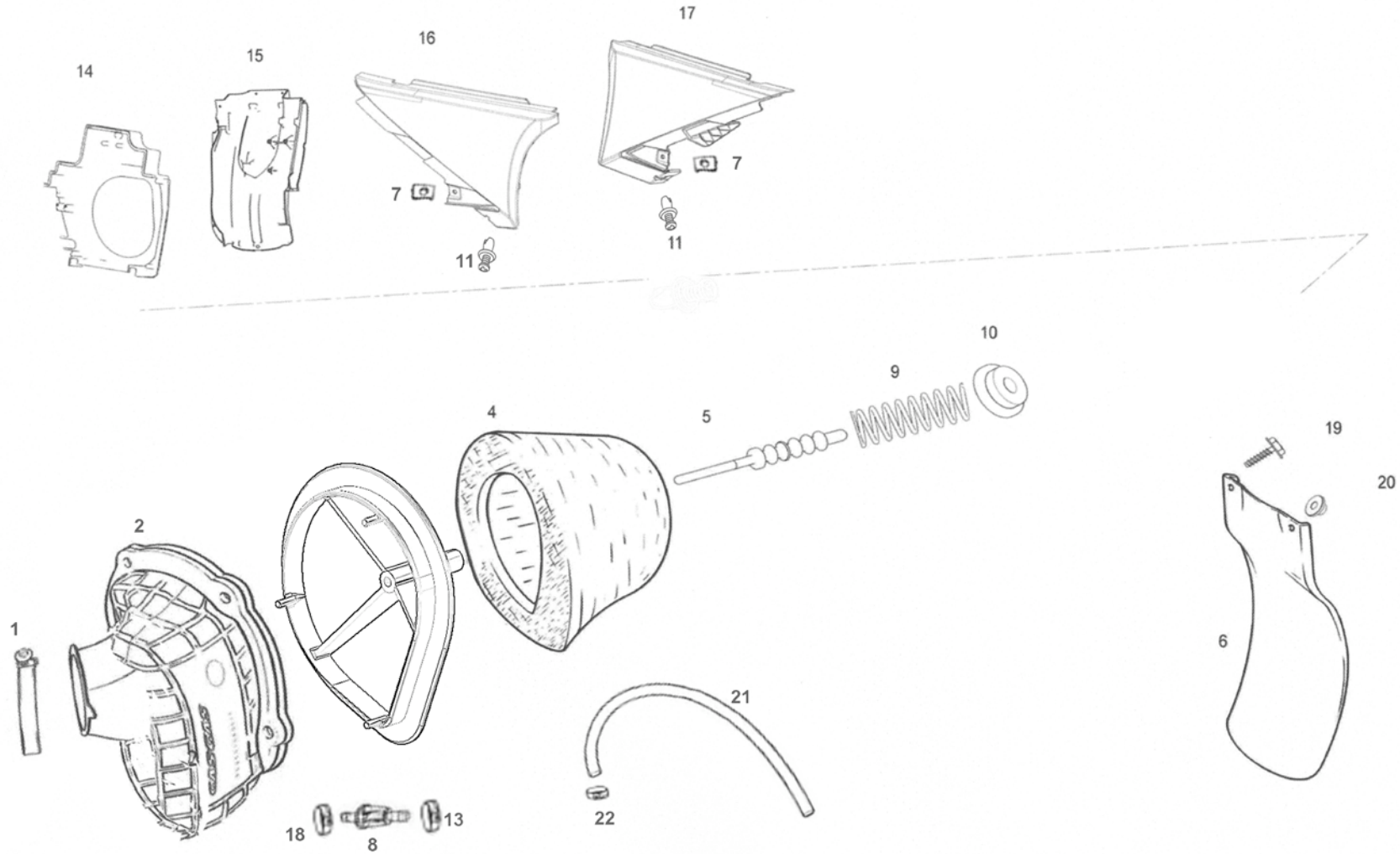
**GAS GAS**

**Chasis 4**

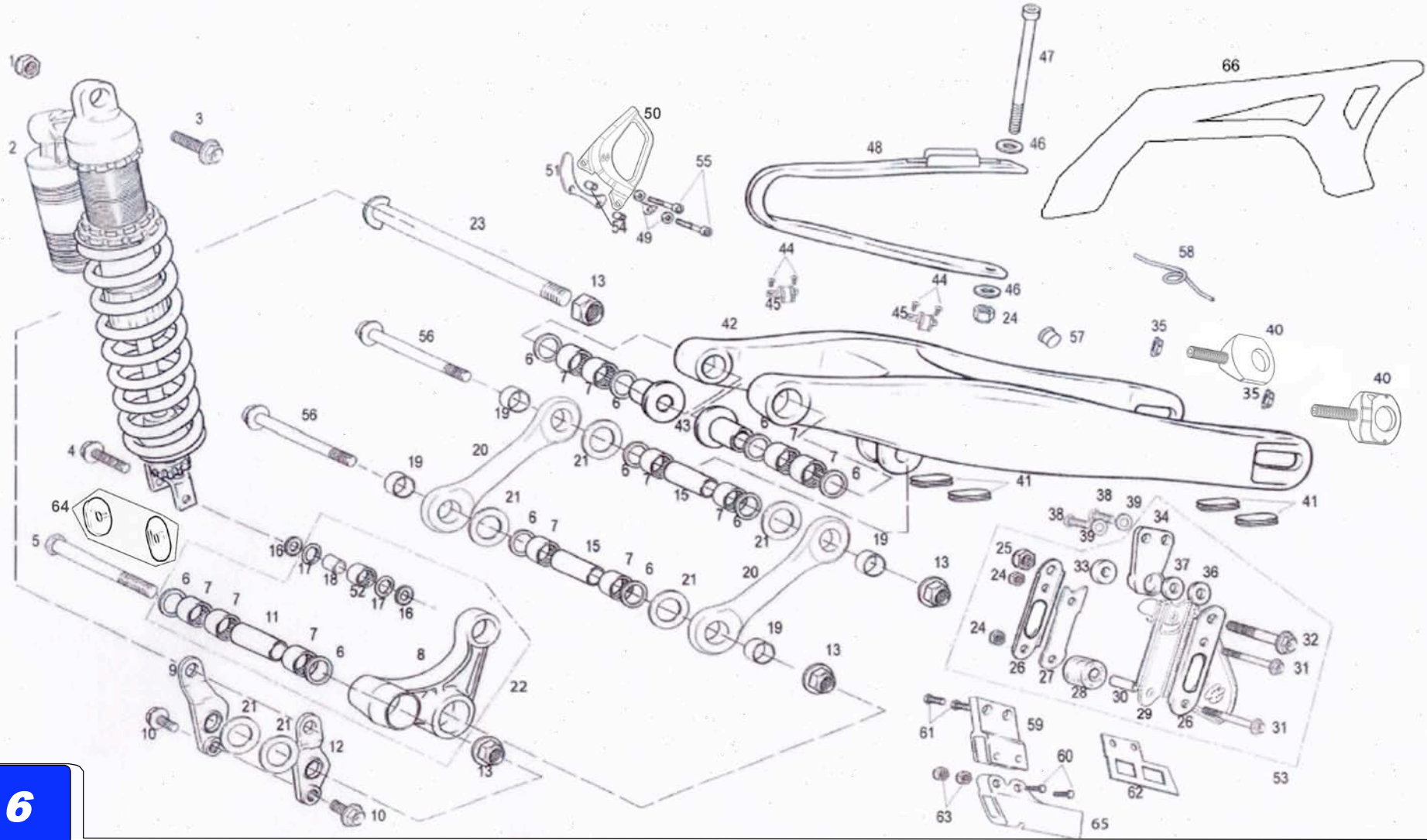








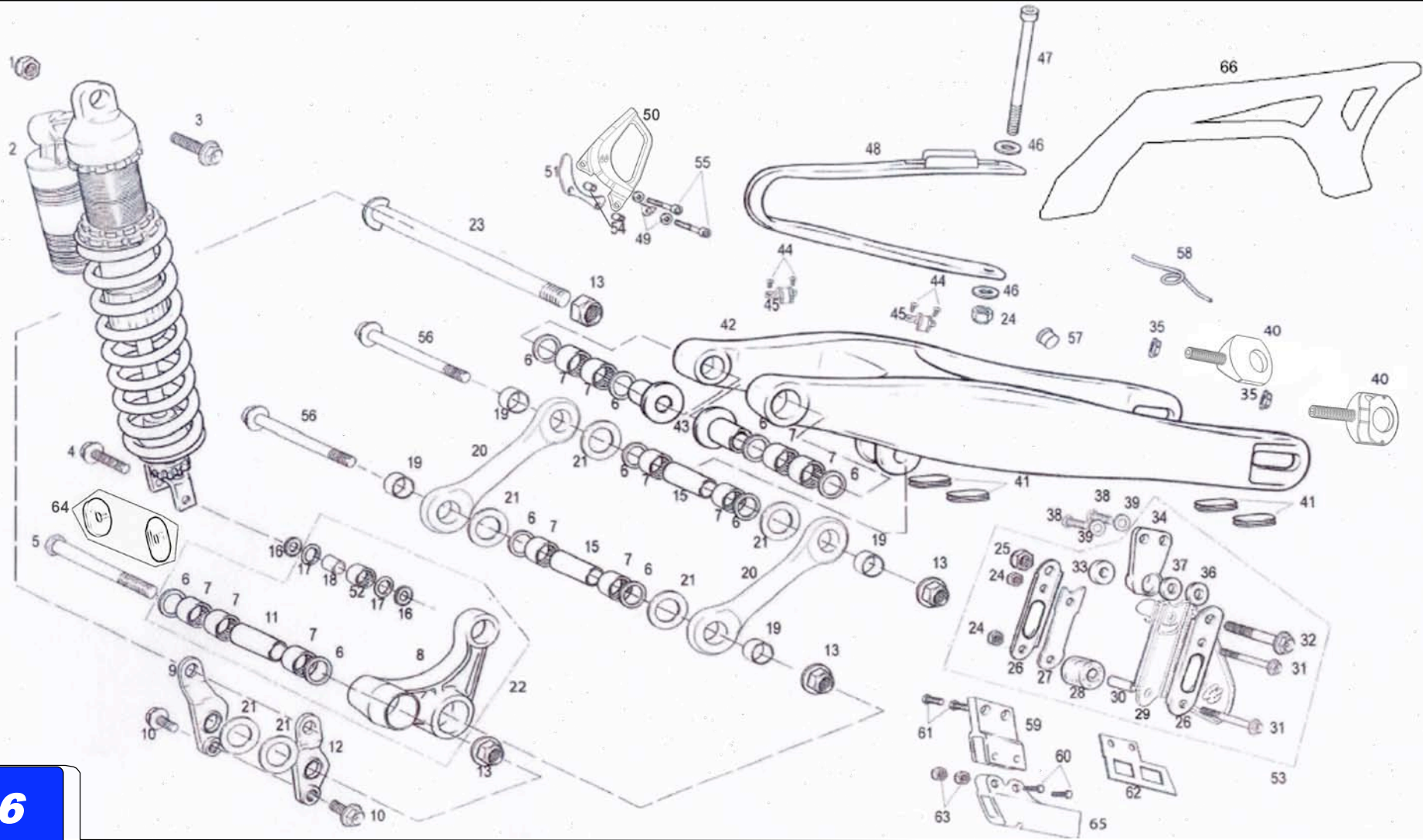




Nº	DESCRIPCION / DESCRIPTION			Cant.
1	TUERCA AUTOBLOCANTE M10+C41 / SELF-LOCKING NUT M10		T3110002	1
2	AMORTIGUADOR TRASERO / REAR SHOCK ABSORBER		BFS30000R2510	1
3	TORNILLO ESPECIAL M10X55 / SPECIAL SCREW M10X55		T0210055	1
4	TORNILLO M10X40X1,25 / BOLT M10X40X1.25		T0110042	1
5	TORNILLO ESPECIAL 14X110 / SPECIAL SCREW 14X110		T0214110	1
6	TÓRICA 3.5X21 / 3.5X21 O'RING		BE250510011	10
7	JAULA AGUJAS 22BM2816 / 22BM2816 NEEDLES BEARING		BE25614010	11
8	BALANCÍN / ROCKER ARM		BE25614005	1
9	SOPORTE BALANCÍN DERECHO / RIGHT ROCKER ARM SUPPORT		BE250314006	1
10	TORNILLO ESPECIAL 12X25X1,25 / SPECIAL SCREW 12X25X1.25		T02012025	2
11	CASQUILLO 14X22X62,5 / BUSHING 14X22X62.5		BE25612005	1
12	SOPORTE BALANCÍN IZQUIERDO / LEFT ROCKER ARM SUPPORT		BFS330502510	1
13	TUERCA BASCULANTE TT / NUT		BE25612009	4
15	CASQUILLO 14X22X57 / BUSHING 14X22X57		BE25612014	2
16	ARANDELA REGLAJE 21X10,2X1 / SETTING WASHER 21X10.2X1		T4001022	2
17	TÓRICA BIELETA 15X3,5 / CONNECTING ROD O'RING		BE25814015	2
18	CASQUILLO INFERIOR AMORTIG. D.16X21X10 / SHOCK ABSORBER BUSHING (LOWER)		BE25642005	1
19	CASQUILLO BIELETA / CONNECTING ROD BUSHING		BE25642002	4
20	BIELETA / CONNECTING ROD		BC250014008	2
21	ARANDELA 22,4X36X0,7 REGLAJE / SETTING WASHER 22.4X36X0.7		T4022036	6
22	BALANCÍN EC COMPLETO / EC ROCKER ARM SET		BE250514005CT	1
23	EJE BASCULANTE / SWINGARM SHAFT		BE250312008	1
24	TUERCA AUTOBLOCANTE M6 ALTA / HIGH SELF LOCKING NUT M6		T2106002	3
25	TUERCA AUTOBLOCANTE M8 BAJA / LOW SELF LOCKING NUT M8		T2108001	1
26	PLATINA GUÍA CADENA / CHAIN GUIDE BRACKET		BE25912017	2
27	TIRA NYLON ANTIRUIDO / ANTI-NOISE NYLON BAND		BE25612022	1
28	RODILLO GUÍA CADENA 13,55X32X23,5 / CHAIN GUIDE ROLLER 13.55X32X23.5		BE25610032	1
29	PROTECTOR CADENA /CHAIN PROTECTOR		BE450202509	1
30	CASQUILLO GUIA CADENA / CHAIN GUIDE BUSHING		BE25610025	1
31	TORNILLO ESPECIAL 6X45 / SPECIAL SCREW 6X45		T0206045	2
32	TORNILLO ESPECIAL 8X45 / SPECIAL SCREW 8X45		T0208045	1
33	DISTANCIADOR SOP. GUIA CADENA GRANDE / BIG CHAIN GUIDE SUPPORT SPACER		BE25612021	1
34	SOPORTE GUÍA CADENA / CHAIN GUIDE SUPPORT		BE25612018	1
35	TUERCA CILINDRO 8.8 ESP 10/150 C3 / CYLINDER NUT 8.8 ESP 10/150 C3		ME25616031	2

**Chasis 6**



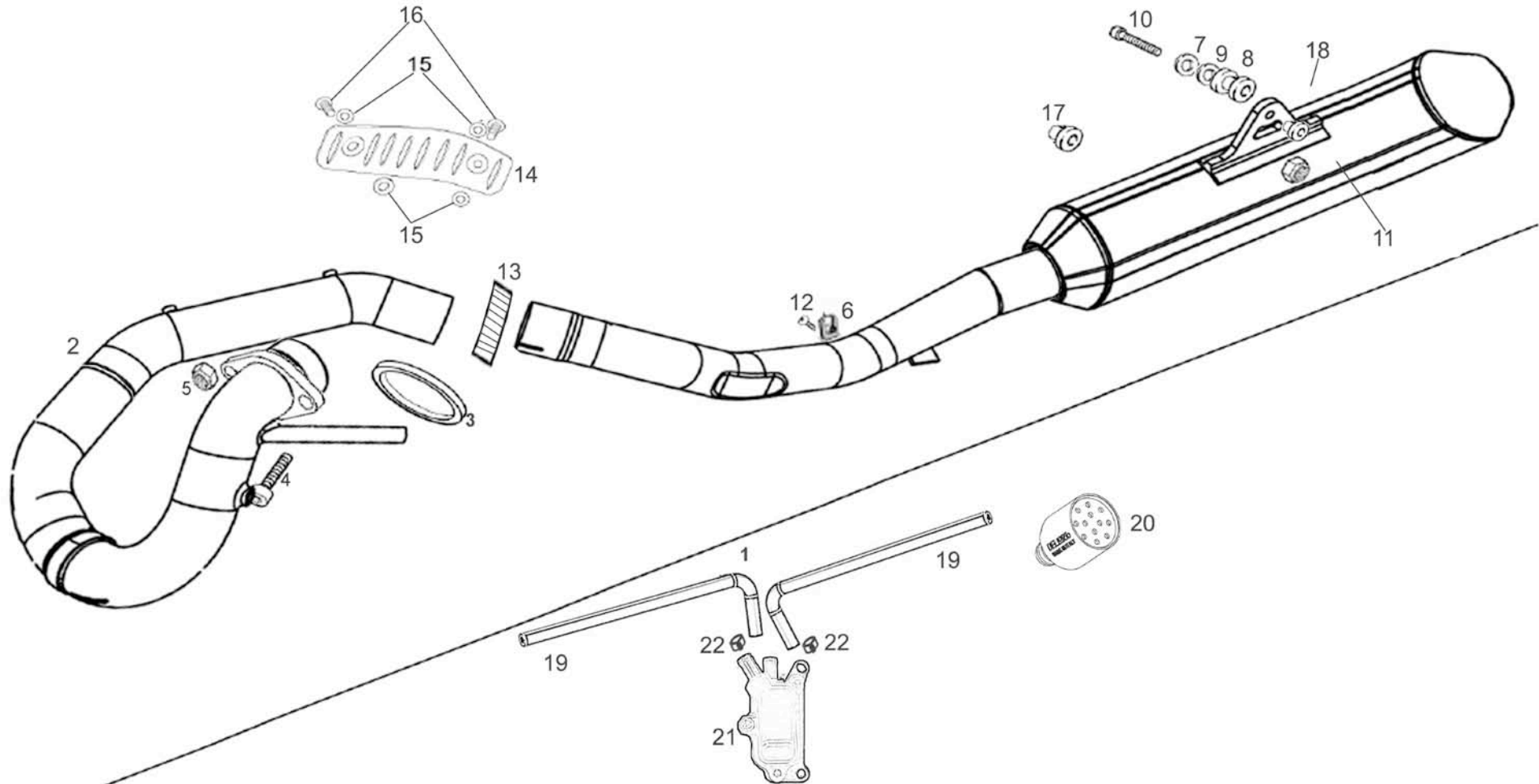


Nº	DESCRIPCION / DESCRIPTION		Cant.
36	DISTANCIADOR SOPORTE GUIA CADENA PEQ. / SMALL CHAIN GUIDE SUPPORT SPACER	BE25612020	1
37	SILENTBLOCK SOPORTE GUIA CADENA / CHAIN GUIDE SUPPORT SILENTBLOCK	BE25612019	1
38	HEXAGONAL 8X20 / HEX. BOLT 8X20	T0108020	2
39	ARANDELA 8X16X1,5 / WASHER 8X16X1.5	T4008016	2
40	TENSOR RUEDA DERECHA / RIGHT WHEEL TENSOR	BE250418022	2
41	GOMA PROTECTOR BASCULANTE / SWINGARM PROTECTOR RUBBER	BE25836005	4
42	BASCULANTE / SWINGARM	BE250612002RC	1
43	CASQUILLO BASCULANTE / SWINGARM BUSHING	BE250312007	2
44	ULS 5X12 / ULS BOLT 5X12	T0505012	4
45	SUJECCIÓN LATIGUILLO SOBRE BASCULANTE / SWINGARM HOSE HOLDER	BE25612006	2
46	ARANDELA 6X18X1,5 / WASHER 6X18X1.5	T4006018	2
47	ALLEN 6X100 / 6X100 ALLEN BOLT	T03060100	1
48	PATÍN CADENA / CHAIN SLIDER	BE250112015	1
49	ARANDELA PLANA 6X12X1,5 / PLAIN WASHER 6X12X1.5	T4006012	2
50	PROTECCIÓN PIÑÓN PLÁSTICO ENDURO / ENDURO PLASTIC PINION PROTECTION	BFS486002510	1
51	PLATINA PROTECTOR PIÑÓN / PINION PROTECTOR BRACKET	BFS486102510	1
52	JAULA AGUJAS AL1216 / AL 1216 NEEDLES BEARING	BE25614009	1
53	CTO. TENSOR CADENA / CHAIN TIGHTER SET	BE42000CT2509	1
54	CASQUILLO DISTANCIADOR PIÑÓN / SPACER PINION BUSHING	ME250036019	2
55	ALLEN 6X25 / 6X25 ALLEN BOLT	T0306025	2
56	TORNILLO ESPECIAL M14X95 / M14X95 SPECIAL SCREW	T0201495	2
57	TAPÓN BASCULANTE BLANCO / WHITE SWINGARM CAP	BE250436001	4
58	MUELLE TENSOR RUEDA TRAS.	BE250718122	1
59	SOPORTE GUÍA CADENA CROSS / CROSS CHAIN GUIDE SUPPORT	BC250221018	1
60	TORNILLO ESPECIAL 6X45 / 6X45 SPECIAL SCREW	T0206045	2
61	ALLEN 8X20 / 8X20 ALLEN	T0308020	2
62	PLACA REFUERZO GUIA CADENA CROSS 2004 / 2004 CROSS CHAIN GUIDE STRAIN PLATE	BC250412032	1
63	TUERCA M6 CON ARANDELA / M6 NUT WITH WASHER	T2206002	2
64	CTO. ESCENTRICA AMORTIGUADOR / CUSHIONING ASSEMBLY ESCENTRIC	BFS30500CT4509	1
65	GUIA CADENA / CHAIN GUIDE	BC250212028	1
66	PROTECTOR BASCULANTE /PROTECTIVE TILT	BE250328011	1

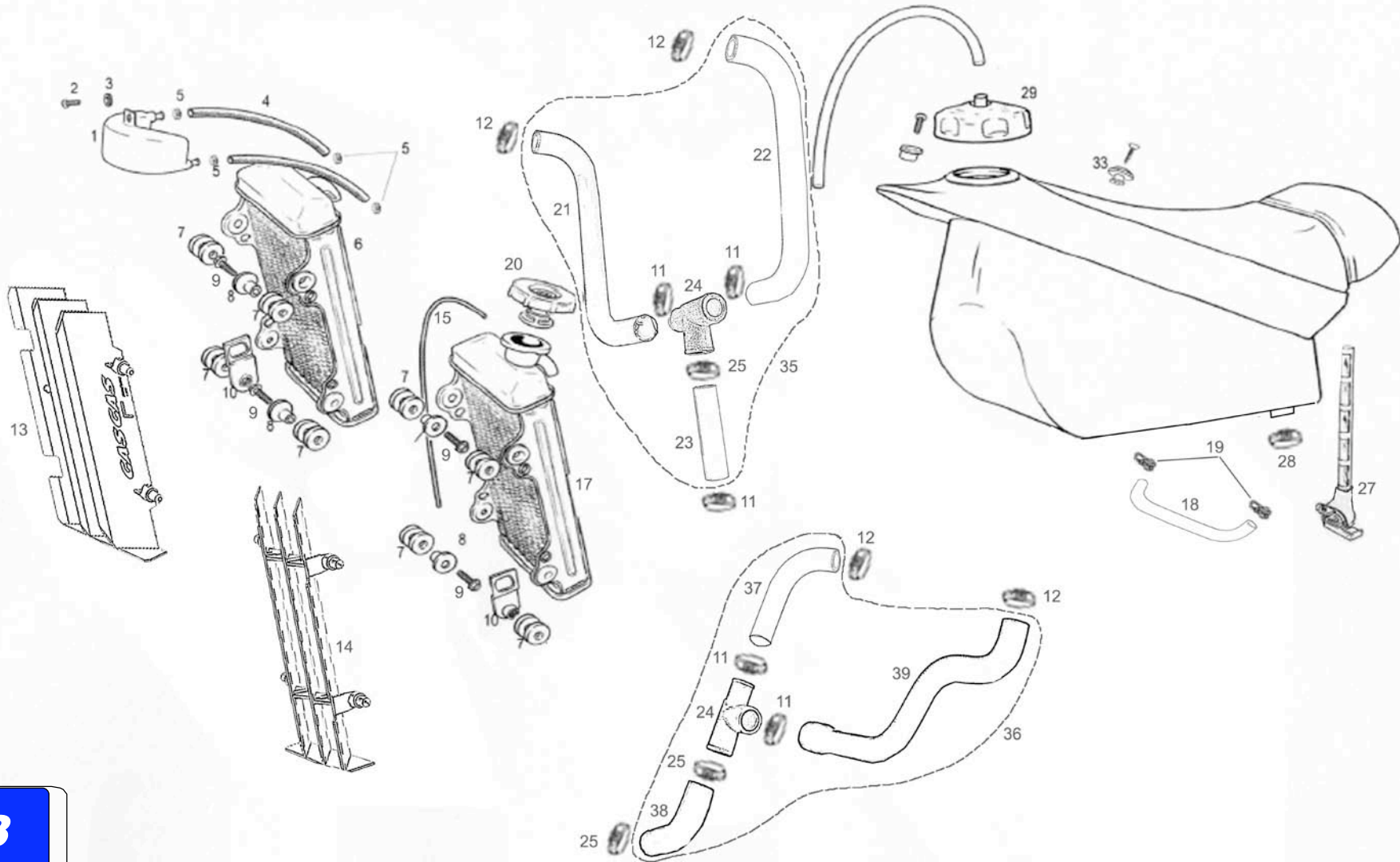
**GAS GAS**

**Chasis 6**





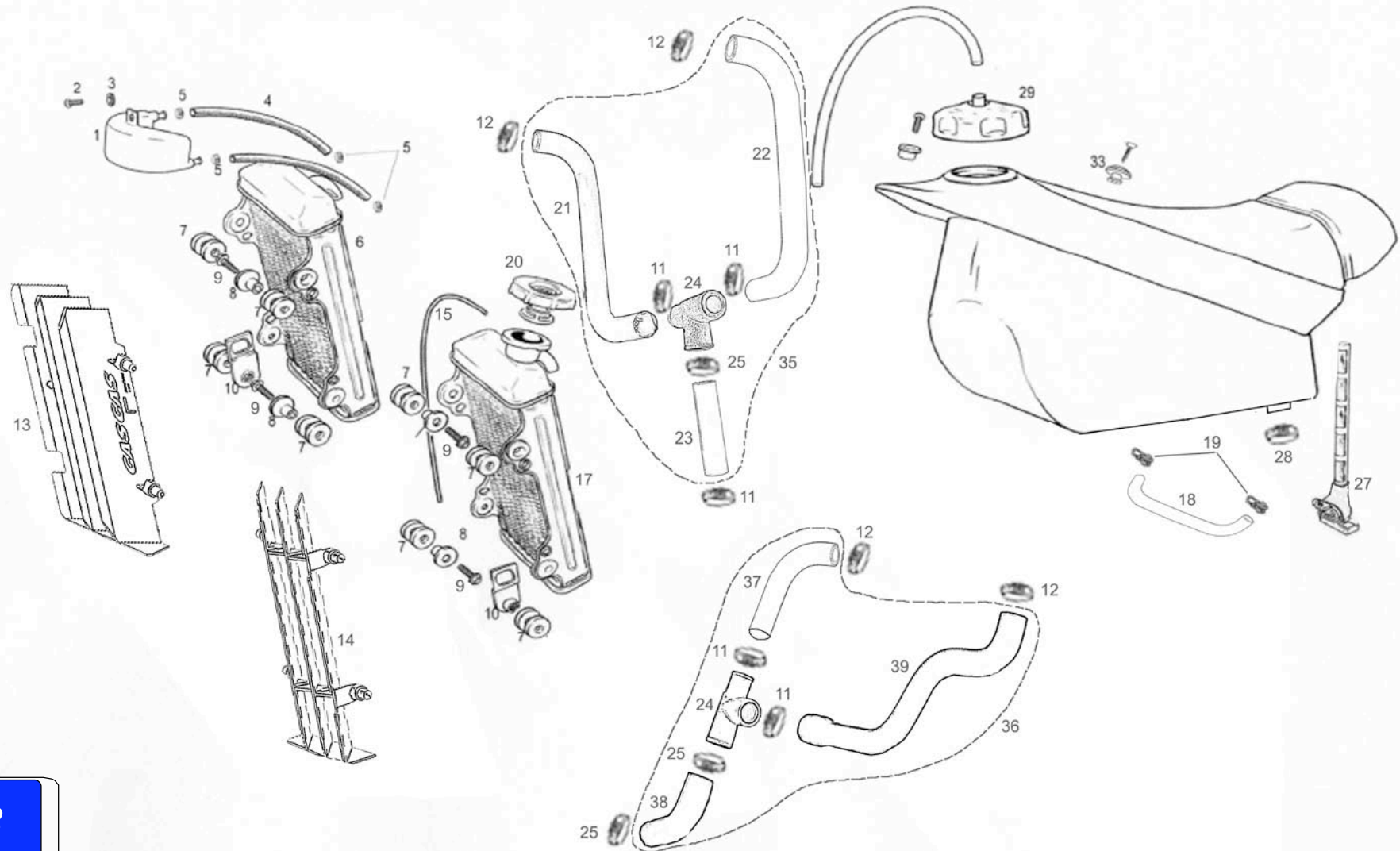
N°	DESCRIPCION / DESCRIPTION	Cant.
1	CTO. ESCAPE-SILENCIOSO EC 250 4T 2010/	BFS85001CT2510 1
2	CURVA ESCAPE HOMOLOGADA / CURVE ESCAPES ACCREDITED	BFS85000H2510 1
3	JUNTA ESCAPE	5UL-14613-00 1
4	ALLEN 8X20	T0308020 1
5	TUERCA M8 BAJA AUTOBL. ARAND / NUT M8 AUTOBL. WASHER	M120116031 1
6	GRAPA NUT M8 / NUT M 8	BT280010041 1
7	ARANDELA 8X16X1.5 / 8X16X1.5 WASHER	T4008016 1
8	GOMA SILENBLOCK / SILENBLOCK RUBBER	BFS870504508 1
9	ARANDELA BOMBADA SILENBLOCK / SILENBLOCK WASHER	BQ450726270 1
10	ALLEN 8X45	T0308045 1
11	TUERCA M8 ALTA CON ARAND. AUTOBL. / NUT M8 AUTOBL. WASHER	T2208002 1
12	ULS 8X20	T0508020 1
13	ABRAZADERA DIAM. 42 / CLAMP DIAM. 42	BFS862102510 1
14	PROTECTOR ESCAPE / EXHAUST PROTECTOR	BFS450526021 1
15	ARANDELA GLASMIDE / GLASMIDE WASHER	T4006715 4
16	ULS CON ARAND. 6X12 / ULS WASHER 6X12	T0556012 2
17	GOMA PROTECTOR PORTANUMEROS / PROTECTIVE RUBBER PORTHOLE NUMBERS	BFS925504510 1
18	CASQUILLO SILENBLOCK / SILENBLOCK SOCKET	BFS870554508 1
19	TUBO GOMA VALVULA / TUBE RUBBER VALVE	BE785551209 2
20	FILTRO AIRE / VALVE FILTER AIR	BT280626059 1
21	VALVULA AIS / AIS VALVE	BE785652509 1
22	ABRAZADERA 14 / 14 CLAMP	MFS450410031 2



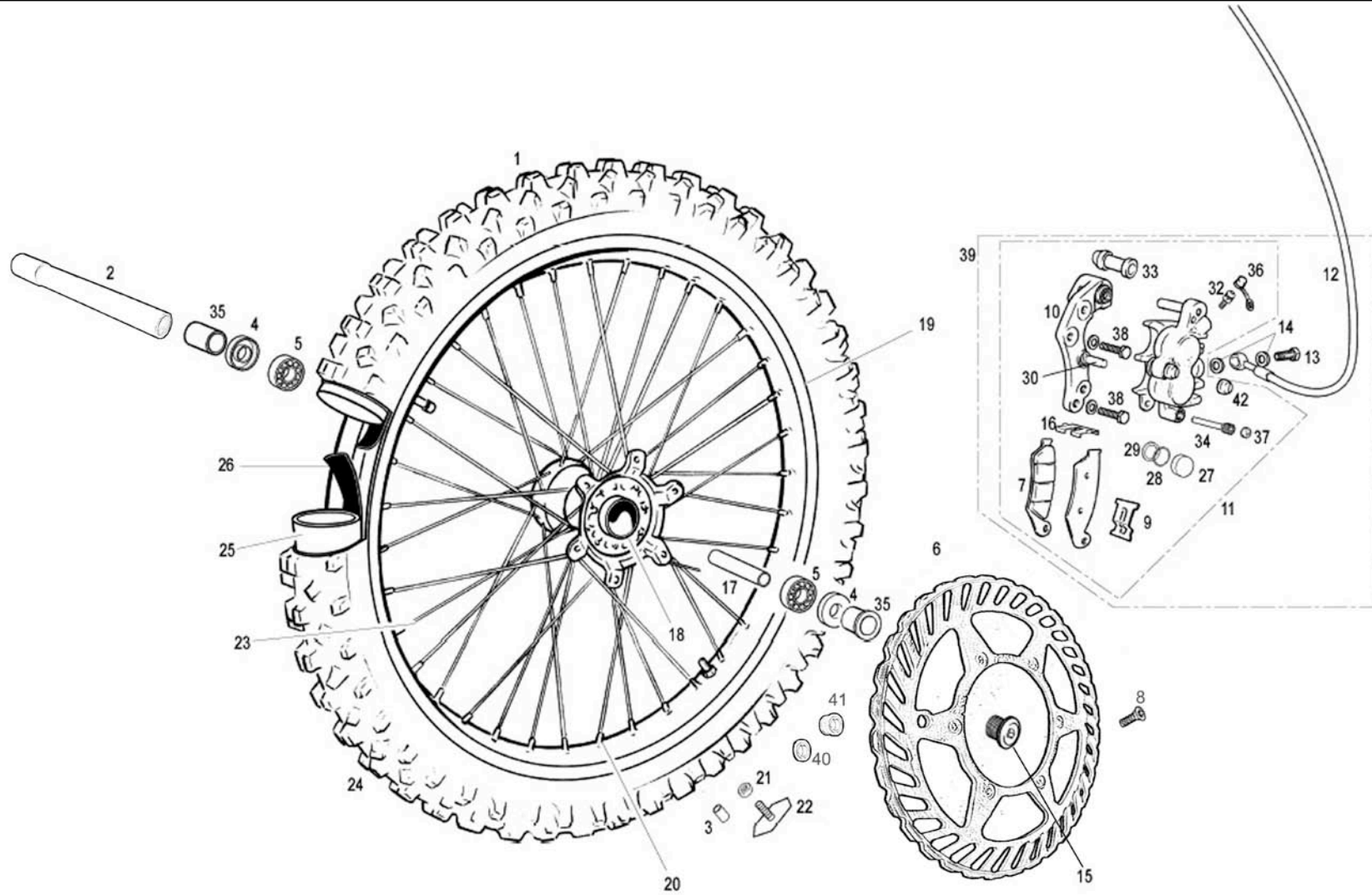
Nº	DESCRIPCION / DESCRIPTION		Cant.
1	VASO EXPANSIÓN / EXPANSION TANK	BE250132005	1
2	ULS 6X16 / 6X16 ULS	T0506016	1
3	ARANDELA 6X12X1,5 / 6X12X1,5 WASHER	T4006012	2
4	TUBO RADIADOR AL VASO EXPANSIÓN / RADIATOR TO EXPANSION TANK HOSE	BE250732008	2
5	ABRAZADERA MUELLE / SPRING CLAMP	MFS400110031	4
6	RADIADOR DERECHO / RIGHT RADIATOR	BFS700012510	1
7	SILENTBLOCK RADIADOR / RADIATOR SILENTBLOC	BIE500132031	8
8	CASQUILLO INF. SUJ. RADIADOR / LOWER RADIATOR HOLDER BUSHING	BE25832040	4
9	TORN. ALLEN 6X20 / 6X20 SCREW ALLEN	T0306020	4
10	PLASTICO LATERAL RADIADOR /RADIATING LATERAL PLASTIC	BE25632015	2
11	ABRAZADERA COBRA 23 / CLAMP 23	L200041	5
12	ABRAZADERA COBRA 22 / CLAMP 22	L200038	4
13	REJILLA RADIADOR DRCH / RIGHT RADIATING GRID	BE730502510	1
14	REJILLA RADIADOR IZQ. / LEFT RADIATING GRID	BE730602510	1
15	TUBO SOBRANTE /LEFTOVER TUBE	BE25632009	1
17	RADIADOR IZQUIERDO / LEFT RADIATOR	BFS450732001	1
18	TUBO GASOLINA / TUBE FUEL	BPS400510133	1
19	ABRAZADERA MUELLE / CLAMP WARF	BE250210047	2
20	TAPON RADIADOR 1.8 / RADIATING PLUG	BFS701504509	1
21	TUBO SUPERIOR DERECHO / TUBE RIGHT SUPERIOR	BFS710502510	1
22	TUBO SUPERIOR IZQ. / TUBE LEFT SUPERIOR	BFS710752510	1
23	TUBO INFERIOR /	BFS710852510	1
24	BIFURCACION / BIFURCATION	BFS711002510	2
25	ABRAZADERA COBRA 26 / CLAMP 26	BE120132051	3
26	DEPOSITO GASOLINA / DIPOSIT FUEL	BFS760002510	1
27	GRIFO GASOLINA / FAUCET FUEL	BPS400510031	1
28	ABRAZADERA COBRA 17 / CLAMP 17	BIT50010033	1
29	TAPON GASOLINA / DIPOSIT PLUG	BE250520010	1
30	TUBO DESVAPORIZADOR /DESVAPORIZER TUBBE	BE250520011	1
31	CASQUILLO DEPOSITO / SOCKET DIPOSIT	BE25610007	1
32	TORNILLO DEPOSITO / SCREW DIPOSIT	T0606020	1
33	CASQUILLO SILLIN / SOCKET SEAT	BIE050210007	1
34	TORNILLO ROSCA / SCREWW	T0610001	1
35	CTO. TUBO CULATA A RADIADOR / JOINT TUBE BUTT	BFS71200CT2510	1

**GAS GAS**

**Chasis 8**







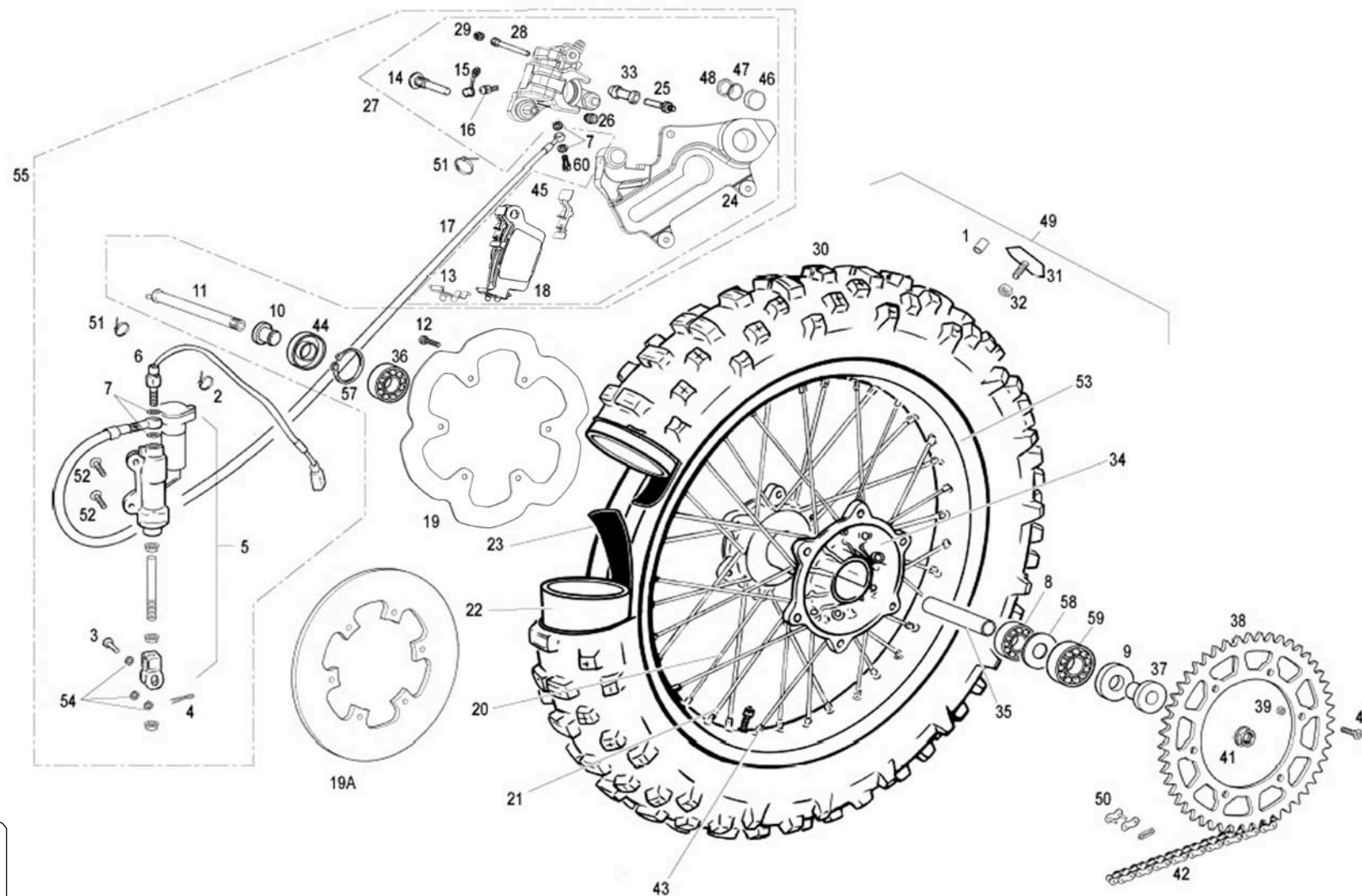


Nº	DESCRIPCION / DESCRIPTION		Cant.
1	RUEDA DELANTERA / FRONT WHEEL	BE50000CT2510	1
2	EJE RUEDA DELANTERA / FRONT WHEEL AXIS	BC250718017	1
3	CASQUILLO AGARRE CUBIERTA DELANTERA / FRONT TIRE HOLDING BUSHING	BE250518048	1
4	RETÉN CUBO DELANTERO 30X42X7 / 30X42X7 FRONT WHEEL GASKET	BE250418057	2
5	COJINETE 6905 2RSR / BEARING	ME120136055	2
6	DISCO FRENO DELANTERO / FRONT BRAKE DISC	BE520002510	1
7	PASTILLAS DE FRENO DELANTERO / FRONT BRAKE PADS	BE620652508	1
8	ULS TORK 6X14 / SCREW 6X12	T0566014	6
9	PLATINA (A) SUJ. PASTILLAS DEL. / FRONT BRAKE PADS HOLDER BRACKET (A)	BE620112508	1
10	SOPORTE PINZA DELANTERO / FRONT CALIPER SUPPORT	BE620102508	1
11	PINZA FRENO DELANT. / FRONT BRAKE CALIPER	BE250722000	1
12	LATIGUILLO FRENO DELANTERO / FRONT BRAKE HOSE	BE250522002	1
13	RACORD SUJ. LATIGUILLO 10X1,25 / HOSE HOLDER RACORD 10X1,25	BC25722006	1
14	ARANDELA LATIGUILLO 10X14X1 / HOSE WASHER 10X14X1	BE25622007	2
15	TORNILLO EJE RUEDA DELANTERA / FRONT WHEEL AXIS BOLT	BE250718026	1
16	PLATINA (B) SUJ. PASTILLAS DELANT. / FRONT BRAKE PADS HOLDER BRACKET (B)	BE620122508	1
17	DISTANCIADOR / SPACER	BE250418058	1
18	CUBO RUEDA DELANTERO SEP. INT. ALUM. / FRONT WHEEL HUB	BE541002510	1
19	LLANTA 1.60X21 / RIM 1.60X21	BE540002508	1
20	TUERCA RADIO DELANTERO / FRONT SPOKE NUT	BE250218010	36
21	TUERCA AUTOBLOCANTE M8 BAJA / M8 NUT SELF-LOCKING LOWER	T2108001	1
22	AGARRE CUBIERTA DELANTERA / FRONT TIRE HOLDER	BE505002509	1
23	RADIO DELANTERO 243X3.5 / FRONT SPOKE 243X3.5	BE250218009	36
24	NEUMÁTICO DELANTERO 90/90-21 / FRONT TIRE 90/90-21	BE25618102	1
25	CÁMARA DELANTERA / FRONT AIR HOSE	BE25618001	1
26	PROTECTOR BANDA DELANTERA / FRONT RIM BAND	BE25618028	1
27	KIT REPARACIÓN PISTONES / PISTON REPAIRATION SET	BE620422508	4
32	KIT SANGRADOR / BLEEDER SET	BE620602508	1
33	PROTEC. TORNILLO PINZA FRENO DEL. / FRONT BRAKE CALIPER BOLT PROT.	BE620682508	1
35	CASQUILLO RUEDA DELANTERA / FRONT WHEEL BUSHING	BC250418019	2
39	CTO. FRENO DELANTERO PURGADO / FRONT BRAKE SET	BE250422108	1
40	SEGGER DIAM 9	BE520602510	1
41	IMAN DE BOTON / BUTTON MAGNET	BE520502510	1
42	GUARDAPOLVO / DUST COVER	BE620692508	1

**GAS GAS**

**Chasis 9**

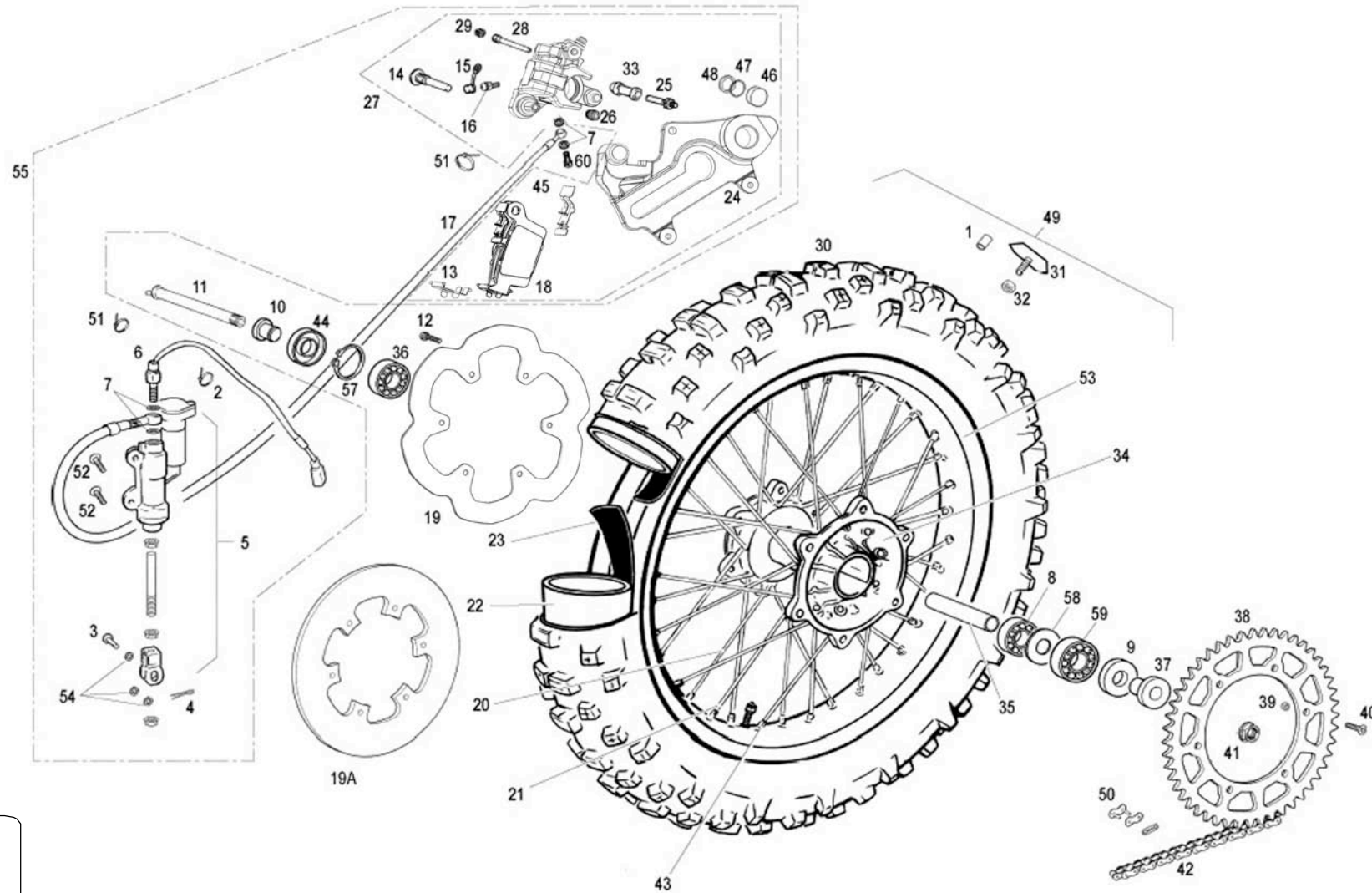




Nº	DESCRIPCION / DESCRIPTION		Cant.
1	CASQUILLO AGARRE CUBIERTA DELANTERA / FRONT TIRE HOLDING BUSHING	BE250518048	1
2	BRIDA UNEX 2244 16/102 4.8X36 / CLAMP 2244 16/102 4.8X36	BE25634007	1
3	PASADOR 8X20 PEDAL FRENO / BRAKE PEDAL PIN 8X20	BE25622026	1
4	CLAVILLA PASADOR FRENO 2X20 / BRAKE PEDAL PIN STOPPER	BE25622027	1
5	BOMBA FRENO TRASERO NISSIN / NISSIN REAR BRAKE PUMP	BE660002509	1
6	INTERRUPTOR STOP BOMBA NISSIN / NISSIN BRAKE PUMP STOP SWITCH	BE250334003	1
7	ARANDELA LATIGUILLO 10X14X1 / HOSE WASHER 10X14X1	BE25622007	4
8	COJINETE 6204 2RSR / BEARING 6204 2RSR	C180700	1
9	RETÉN RUEDA TRASERA / REAR WHEEL SEAL	BE250318055	1
10	DISTANCIADOR RUEDA TRASERA CORTO / SHORT REAR WHEEL SPACER	BE250018025	1
11	EJE RUEDA TRASERA / REAR WHEEL AXIS	BE25618020	1
12	TORNILLO HEXAGONAL 6X16 DISCO TRAS. / R. DISC BRAKE HEX. SCREW 6X16	T0106016	6
13	PLATINA (A) SUJ. PASTILLAS TRAS. / REAR BRAKE PADS HOLDER BRACKET (A)	BE250022090	1
14	TORNILLO SUJECIÓN PINZA / CALIPER HOLDER SCREW	BE250022096	1
15	TAPÓN SANGRADOR / BLEEDER CAP	BE250022055	1
16	SANGRADOR / BLEEDER	BE250022060	1
17	LATIGUILLO FRENO TRASERO NISSIN / NISSIN REAR BRAKE HOSE	BE661002509	1
18	PASTILLAS DE FRENO TRASERO / REAR BRAKE PADS	BE250022068	1
18A	PASTILLAS DE FRENO TRASERO NISSIN / NISSIN REAR BRAKE PADS	BE250422068	1
18B	PASTILLAS DE FRENO TRASERO NISSIN / NISSIN REAR BRAKE PADS	BE675002509	1
19	DISCO FRENO TRASERO / REAR BRAKE DISC	BE570002510	1
19A	DISCO FRENO TRASERO MACIZO / REAR BRAKE DISC	BE250222012/2	1
20	RADIO 192X4,5 LADO FRENO 18" / 18" BRAKE-SIDE SPOKE 192X4.5	BE250018014	18
21	RADIO 188X4,5 LADO CORONA 18" / 18" SPROCKET-SIDE SPOKE 188X4.5	BE250018015	18
22	CAMARA TRASERA 18 CR / REAR AIR HOSE 18 CR	BE25618004	1
23	PROTECTOR BANDA TRASERA 18 / REAR RIM BAND	BE25618003	1
24	SOPORTE PINZA TRASERA / REAR CALIPER SUPPORT	BE671002509	1
25	TORNILLO CLAVIJA PINZA FRENO / BRAKE CALIPER BOLT	BE250022034	1
26	GUARDAPOLVO / DUST COVER	BE675802509	1
27	PINZA FRENO TRASERO / REAR BRAKE CALIPER	BE250322001	1
28	PASADOR PASTILLAS / BRAKE PADS PIN	BE250022094	1
29	PROTECCIÓN PASADOR / PIN PROTECTION	BE250022095	1
30	NEUMÁTICO TRASERO 140/80-18 / REAR TYRE 140/80-18	BE25618005	1
31	AGARRE CUBIERTA TRASERA / REAR TYRE HOLDER	BE555002509	1

**GAS GAS**

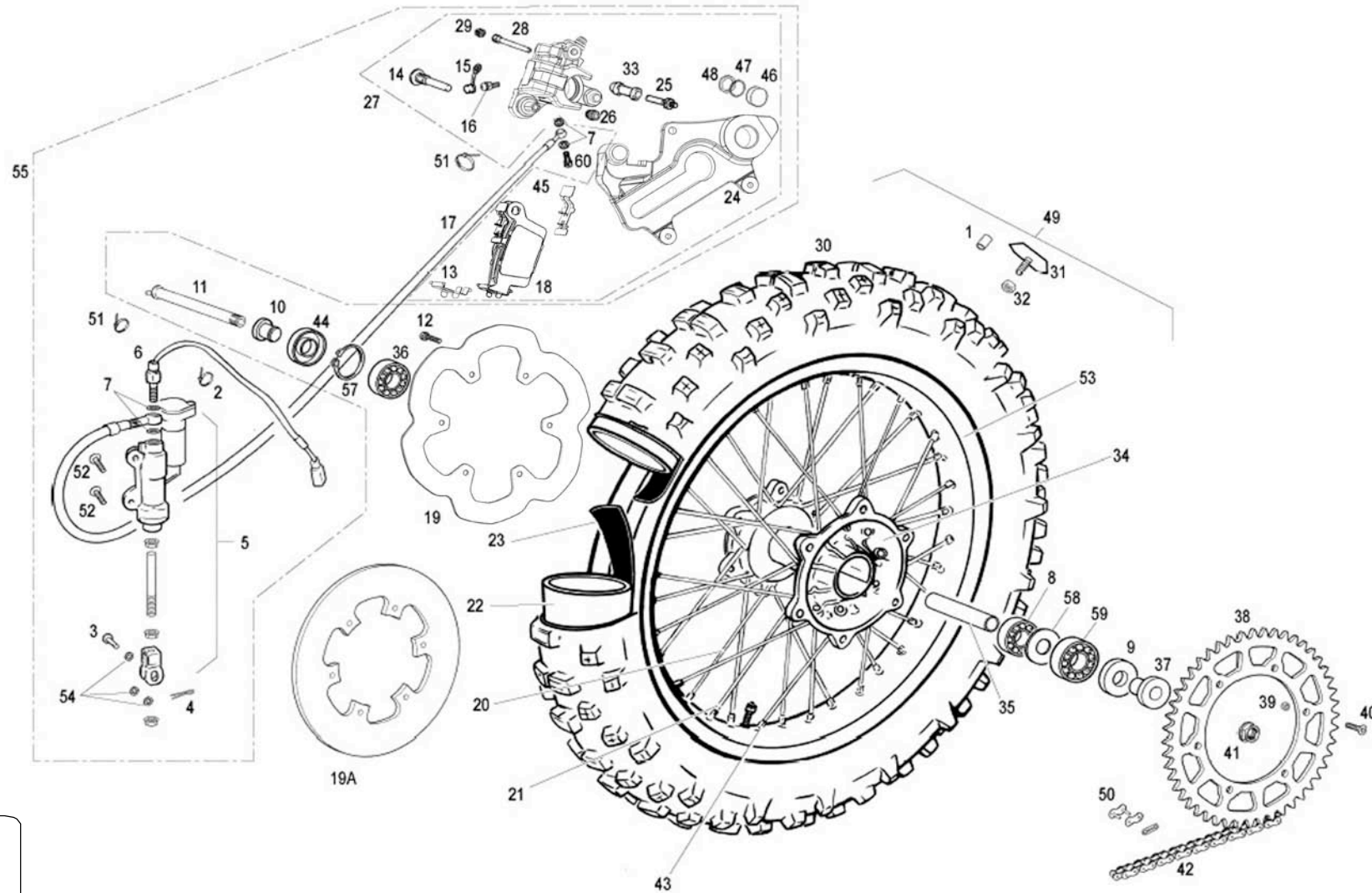
**Chasis 10**



Nº	DESCRIPCION / DESCRIPTION		Cant.
32	TUERCA AUTOBLOCANTE M8 BAJA / SELF-LOCKING NUT M8	T2108001	1
33	PROTECTOR TORNILLO / SCREW PROTECTOR	BE250022039	1
34	CUBO RUEDA TRASERA / REAR WHEEL HUB	BE591002510	1
35	DISTANCIADOR RUEDA TRASERA INTE. / REAR WHEEL SPACER	R575700	1
36	COJINETE 6004 2RSR / BEARING 6004 2RSR	C160001	1
37	DISTANCIADOR RUEDA DELANTERA LARGO / LONG WHEEL SPACER	BE250318021	1
38	CORONA Z48 SERIE / Z48 SERIAL SPROCKET	BE250418034	1
38A	CORONA Z42 / Z42 SPROCKET	BE250118034SM	1
38B	CORONA Z44 / Z44 SPROCKET	BF250018024	1
38C	CORONA Z46 / Z46 SPROCKET	BE25918124	1
38D	CORONA Z47 / Z47 SPROCKET	BE25618024	1
38F	CORONA Z49 / Z49 SPROCKET	BC25818024	1
38G	CORONA Z50 / Z50 SPROCKET	R840701	1
38H	CORONA Z52 / Z52 SPROCKET	BE12618024	1
38I	CORONA Z53 / Z53 SPROCKET	BE25918125	1
38J	CORONA Z54 / Z54 SPROCKET	BE25918126	1
38K	CORONA Z51 SERIE / Z51 SERE SPROCKET	BE12618034	1
38L	CORONA Z39 / Z39 SPROCKET	BE250118124SM	1
38M	CORONA Z40 / Z40 SPROCKET	BE250118125SM	1
39	TUERCA AUTOBLOCANTE M8 ALTA / HIGH SELF-LOCKING SPROCKET NUT M8	T2208002	6
40	ALLEN CÓNICO 8X30 / CONIC ALLEN BOLT 8X30	T0408030	6
41	TUERCA AUTOBLOCANTE RUEDA TRASERA / REAR WHEEL SELF-LOCKING NUT	BE25618023	1
42	CADENA REGINA / REGINA CHAIN	BE250310036	1
43	TUERCA RADIO TRASERO / REAR SPOKE NUT	BE250018016	36
44	RETÉN / SEAL	C160710	1
45	PLATINA (B) SUJ. PAST. TRASERAS / REAR BRAKE PADS HOLDER BRACKET (B)	BE250022091	2
46	PISTÓN PINZA FRENO TRASERO / REAR BRAKE CALIPER PISTON	BE675602509	2
47	RETÉN PISTÓN PINZA FRENO TRASERO / REAR BRAKE CALIPER PISTON O'RING	BE675502509	2
48	TÓRICA PISTÓN PINZA FRENO TRASERO / REAR BRAKE CALIPER PISTON SEAL	BE250022048	2
49	RUEDA TRASERA / REAR WHEEL SET	BE55000CT2510	1
50	ENGANCHE CADENA / CHAIN SPLIT LINK	BE250310066	1
51	BRIDA UNEX CORTA / SHORT CLAMP	BE25634010	3
52	ULS 6X20 CON ARANDELA PLATA / 6X20 ULS WITH WASHER	T0556020	2
53	LLANTA 2.15X18 / RIM 2.15X18	BE590002508	1

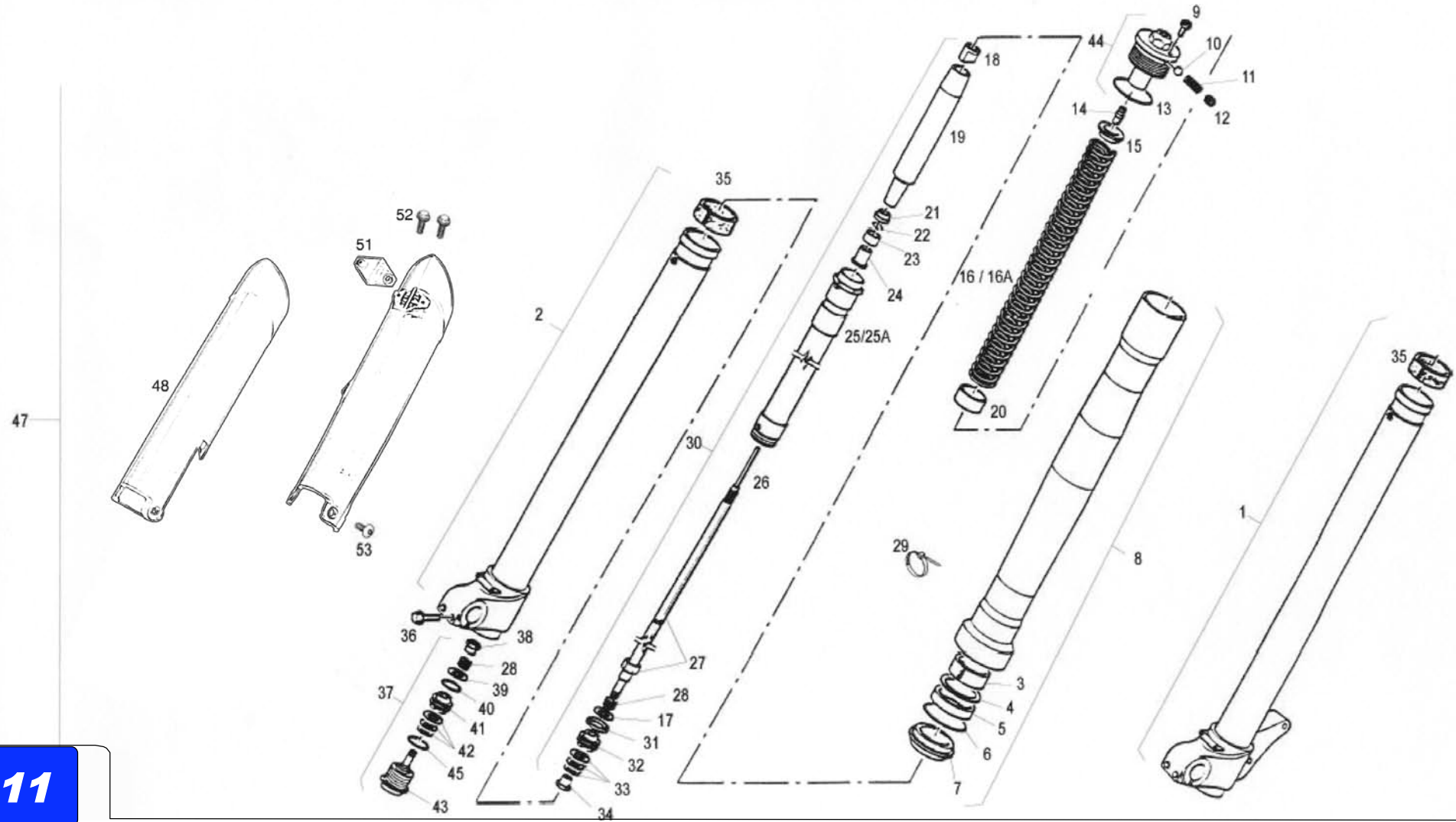
**GAS GAS**

**Chasis 10**







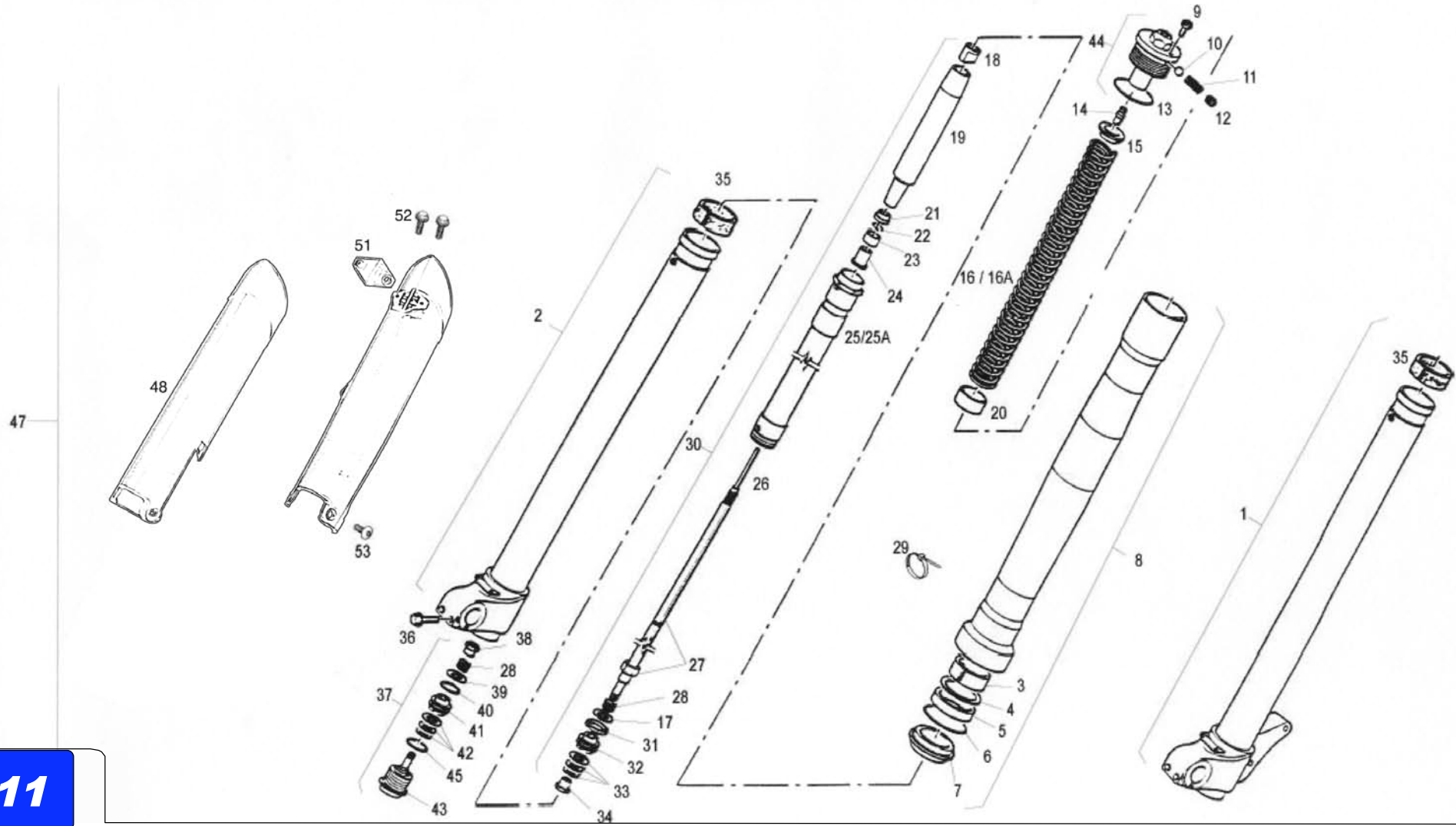


Nº	DESCRIPCION / DESCRIPTION			Cant.
1	BASE HORQUILLA IZQUIERDA / LEFT FORK BASE		BE250414143	1
2	BASE HORQUILLA DERECHA / RIGHT FORK BASE		BE250414142	1
3	GLACIER BOTELLA 538103 50x45x15 / OUTER TUBE BUSHING		BE250314131	2
4	ANILLO DE CIERRE / RETAINING CUP		BE250114133	2
5	RETÉN SUSPENSIÓN 45X58X11 / OIL SEAL		C240701	2
6	ANILLO DE CIERRE / STOP RING		BE25714132	2
7	GUARDAPOLVO / DUST SEAL		BE25714131	2
8	CTO. BARRA SUSPENSIÓN / OUTER TUBE UNIT		BE250514110	2
9	TORNILLO Y JUNTA TÓRICA / SCREW+ O'RING		BE25714103	2
10	TÓRICA TAPÓN REGULACIÓN / SET SCREW		BE250114225	2
11	MUELLE TAPÓN REGULACIÓN / REBOUND SPRING		BE250114226	2
12	TORNILLO PEQUEÑO TAPÓN REGULACIÓN / SCREW		BE250114227	2
13	TÓRICA TAPÓN REGULACIÓN / REGULATION CAP O'RING		BE250114104	2
14	CASQUILLO REGULACIÓN / PIN + O'RING		BE250114112	2
15	CASQUILLO GUIA MUELLE / SPRING GUIDE BUSHING CUP		BE250114107	2
16	MUELLE K=4.2 / SPRING K=4.2		BE250114268	2
16A	KIT MUELLE Y CASQUILLO K:4.0 / SPRINGS K=4.0 + SLEEVES		BE250114228	2
17	ARANDELA 22X8.1X0.3 / SHIM 22X8.1X0.3		BE250514235	2
18	TUERCA BLOQUEADOR M12X25 / LOCK NUT		BE250114242	2
19	TUBO GUIA MUELLE / SPRING GUIDE		BE250514229	2
20	TOPE PRECARGA / PRELOAD SLEEVE		BE120514109	2
21	TOPE DE FONDO / NUT		BE250114230	2
22	ANILLO RETENCIÓN / STOP RING		BE250114231	2
23	TOPE FONDO HUG D45 / FOOT NUT		BE250514232	2
24	TOPE FONDO USD D45 / FOOT NUT CUP		BE250114233	2
25	CARTUCHO AMORTIGUADOR / CARTRIDGE BODY		BE250514114	2
25A	CARTUCHO AMORTIGUADOR / CARTRIDGE BODY		-	2
26	VARILLA INTERNA / INNER ROD		BE250114234	2
27	CTO. VARILLA / DAMPING SHAFT UNIT		BE250514116	2
28	MUELLE / REBOUND SPRING		BE250114118	4
29	BRIDA UNEX 2244 16/02 4.8X30 / UNEX CLAMP 2244 16/02 4.8X30		BE25634007	2

**GAS GAS**

**Chasis 11**





Nº	DESCRIPCION / DESCRIPTION			Cant.
31	SEGMENTO PISTÓN / PISTON RING		BE250114120	2
32	PISTÓN SUSPENSIÓN / REBOUND PISTON		BE250514119	2
33	ARANDELA SUSPENSIÓN 15X8.1X0.1 / SHIM 15X8.1X0.1		BE250114238	3
33A	ARANDELA SUSPENSIÓN 19X8.1X0.1 / SHIM 19X8.1X0.1		BE250114239	2
33B	ARANDELA SUSPENSIÓN 17X8.1X0.1 / COMPRESSION DAMPING WASHER		BE250114240	2
33C	ARANDELA SUSPENSIÓN 21X8.1X0.1 / REED VALVE		BE250114241	4
34	VÁLVULA BASE / NUT		BE250114126	2
35	CASQUILLO INTERIOR BOTELLA / LOWER BUSH		BE250114128	2
36	TORNILLO 6X30 DIN 6921 8.8 / SCREW 6X30		BE250114144	4
37	GRUPO AMORTIGUADOR / VALVE UNIT		BFS208002510	2
38	TORNILLO BL. VÁLVULA / VALVE SCREW		BE250514244	2
39	JUNTA 22X8.1X0.3 C72 BLU / SHIM 22X8.1X0.3		BE250514235	2
40	TÓRICA 2087 D21.95 S1.78 / O'RING 2087		BE250114246	2
41	PISTÓN D.26 SINTER. / COMPRESSION PISTON		BE250514247	2
42	JUNTA 15X8.1X0.2 / COMPRESSION DAMPING WASHER		BE250114248-1 (19X8.1X0.1)	3
42A	JUNTA 19X8.1X0.1 / SHIM 19X8.1X0.1		BE250114248-3 (17X8.1X0.1)	2
42B	JUNTA 17X8.1X0.1 / COMPRESSION DAMPING WASHER		BE250514248-5 (11X8.1X0.1)	2
42C	JUNTA 16X8.1X0.2 / SHIM 16X8.1X0.2		BE250514248-6 (13X8.1X0.2)	2
42D	JUNTA 11X8.1X0.1 / SHIM 11X8.1X0.1		BE250514248-7 (14X8.1X0.2)	2
42E	JUNTA 13X8.1X0.2 / SHIM 13X8.1X0.2		BE120514248 (15X8.1X0.15)	2
42F	JUNTA 14X8.1X0.2 / SHIM 14X8.1X0.2		BE120514248-1 (16X8.1X0.15)	2
43	VÁLVULA DE AJUSTE / ADJUSTING VALVE		BE250514249	2
44	CTO. TAPÓN REGULACIÓN / PLUG UNIT		BE250514105	2
45	TÓRICA 2100 D25.1 S1.78 / O'RING 2100		BE250114250	2
47	CTO. SUSPENSIÓN DELANTERA MARZOCCHI / MARZOCCHI FRONT SUSP.		BFS20001CT2510	1
48	JUEGO PROTEC. HORQUILLA INVERTIDA / REV. FORK PROT. SET		BE946002509	1
51	FIJACIÓN LATIGUILLO / HOSE HOLDER		-	1
52	TORNILLO ESPECIAL 6X16 8.8 ZINCADO / 6X16 8.8 SPECIAL SCREW		T0805020	2
53	TORNILLO ESPECIAL 6X12 / 6X12 SPECIAL SCREW		T0316013	6

**GAS GAS**

**Chasis 11**