

CONTACT

250 280

SCHOOL

125

SEPTIEMBRE SEPTEMBER 2017

2017 2018

DESPIECE PARLIST

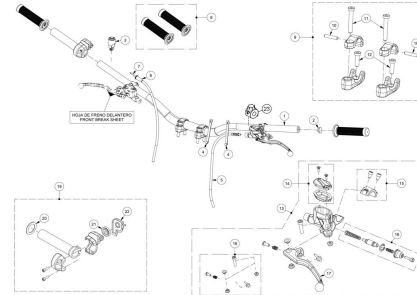


TRIAL
2017
2018



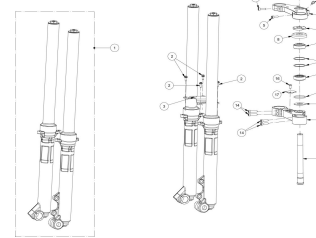
CHASIS / FRAME

**MANILLAR
HANDLEBAR**



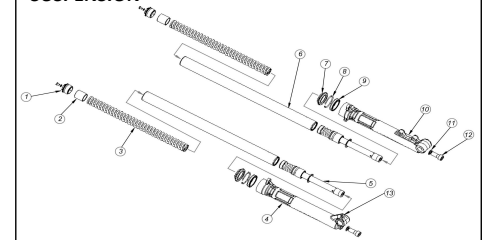
1

**SUSPENSION
SUSPENSION**



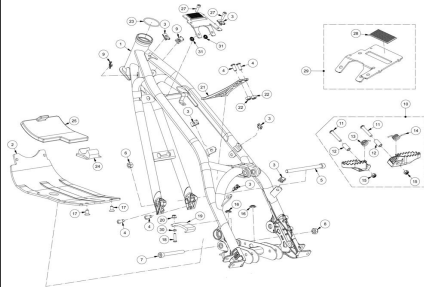
2

**SUSPENSION
SUSPENSION**



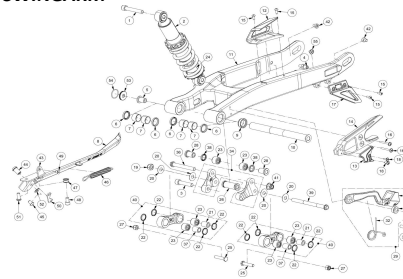
2A

**CHASIS
FRAME**



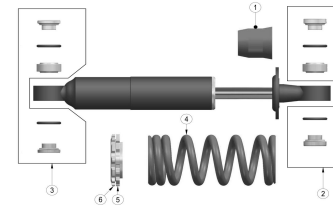
3

**BASCULANTE
SWINGARM**



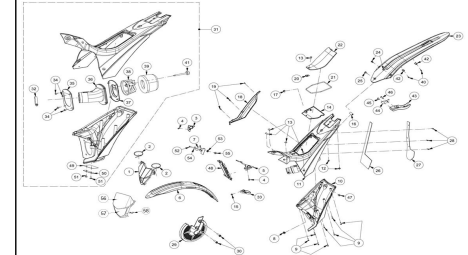
4

**SUSPENSION TRASERA
REAR SHOCK**



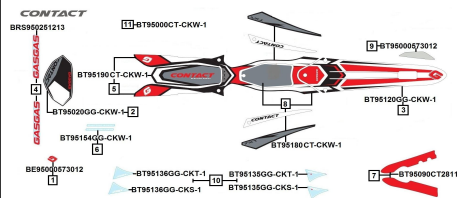
4A

**PLASTICOS
PLASTICS**



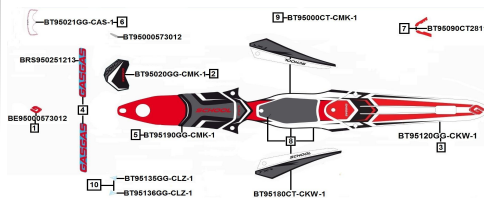
5

**ADHESIVOS
DECALS**



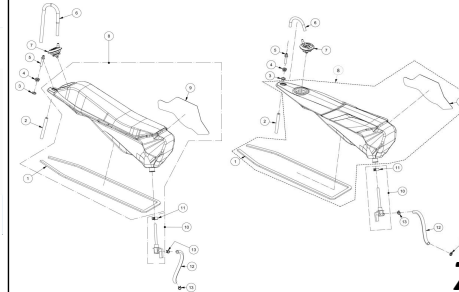
6

**ADHESIVOS
DECALS**



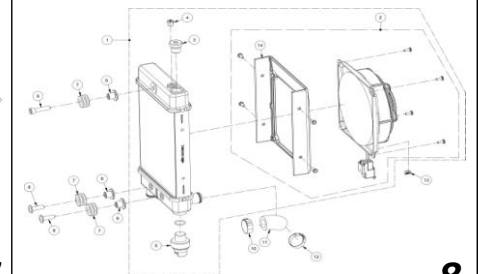
6A

**DEPOSITO
FUEL TANK**



7

**RADIADOR
RADIATOR**

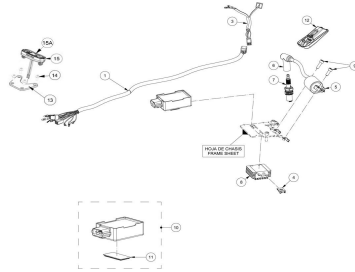


8

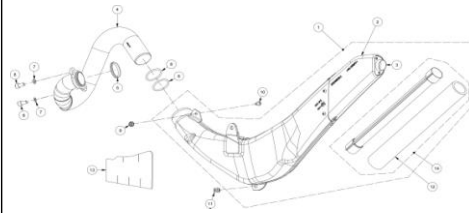
INDICE/ INDEX

CONTACT 2017 / 2018
SCHOOL 2017 / 2018

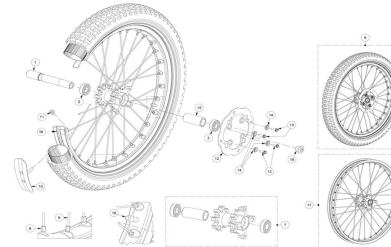
ELECTRICO
ELECTRIC INSTALLATION



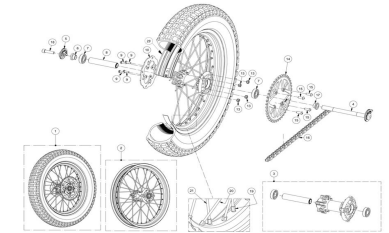
TUBO DE ESCAPE
EXHAUST



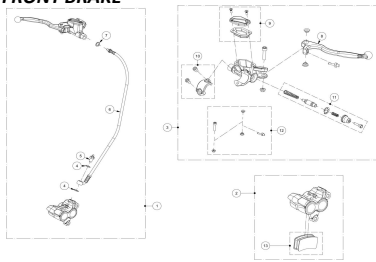
RUEDA DELANTERA
FRONT WHEEL



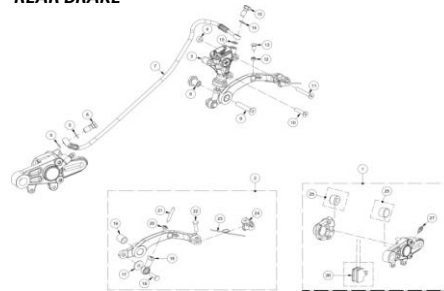
RUEDA TRASERA
REAR WHEEL



FRENO DELANTERO
FRONT BRAKE

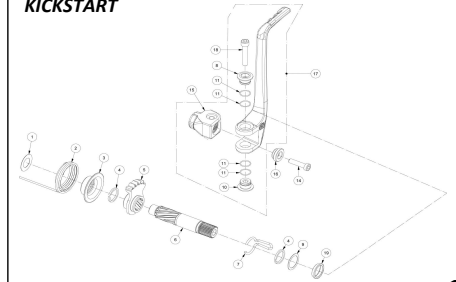


FRENO TRASERO
REAR BRAKE

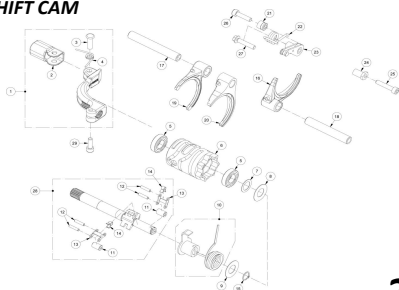


MOTOR / ENGINE

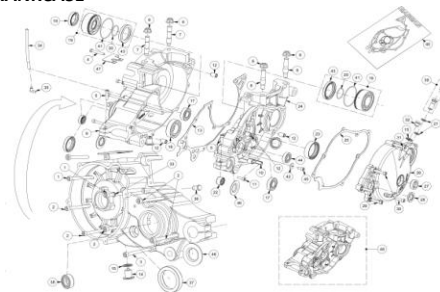
PEDAL DE ARRANQUE
KICKSTART



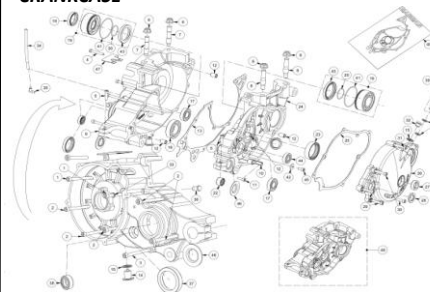
SELECTOR DE CAMBIO
SHIFT CAM



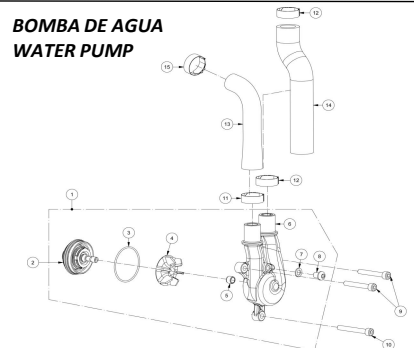
CARTER
CRANKCASE



CARTER
CRANKCASE

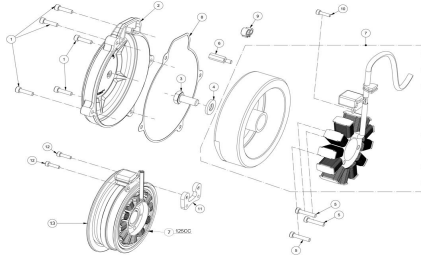


BOMBA DE AGUA
WATER PUMP



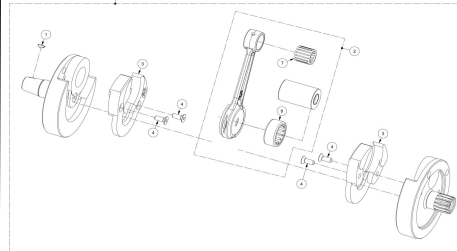
INDICE/ INDEX

**ENCENDIDO
IGNITION**



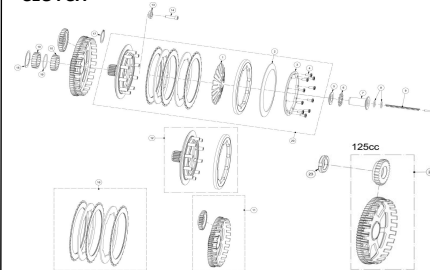
6

**CIGUEÑAL
CRANKSHAFT**



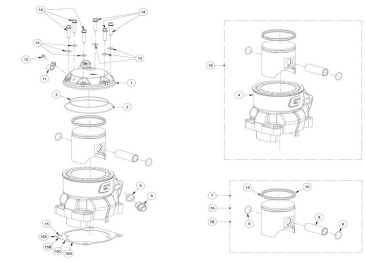
7

**EMBRAGUE
CLUTCH**



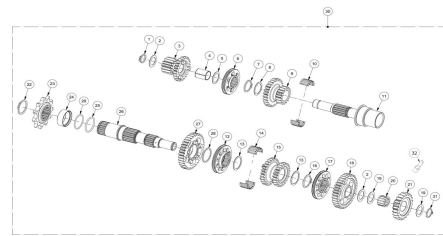
8

**CILINDRO
CYLINDER**



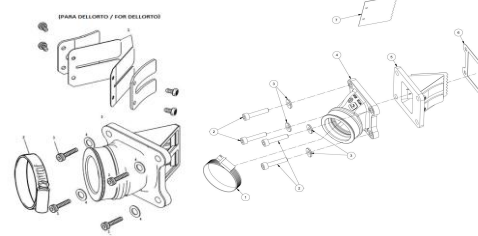
9

**ENGRANAJES CAMBIO
GEAR SET**



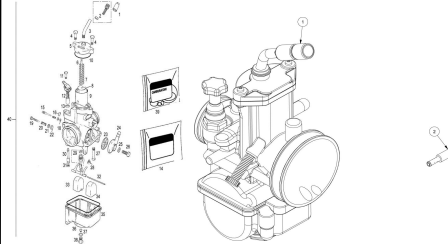
10

**CAJA DE LAMINAS
REED VALVE**



11

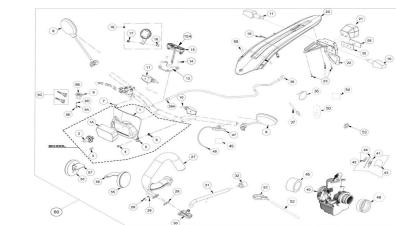
**CARBURADOR
CARBURETOR**



12

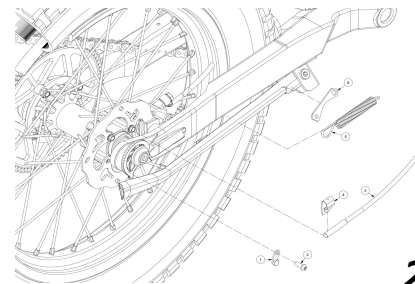
**KIT HOMOLOGACION
HOMOLOGATION KIT**

**KIT HOMOLOGACION
HOMOLOGATION KIT**



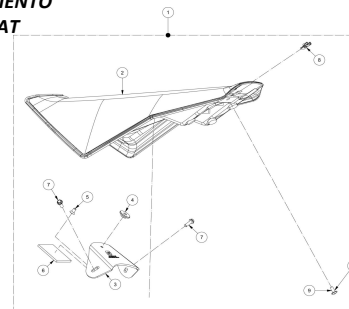
1H

**TREN TRASERO
REAR BIKE**



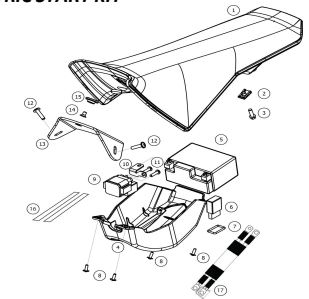
2H

**ASIENTO
SEAT**



3H

**KIT ARRANQUE ELÉCTRICO
ELECTRIC START KIT**

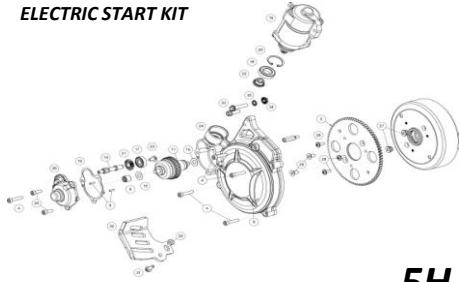


4H

INDICE/ INDEX

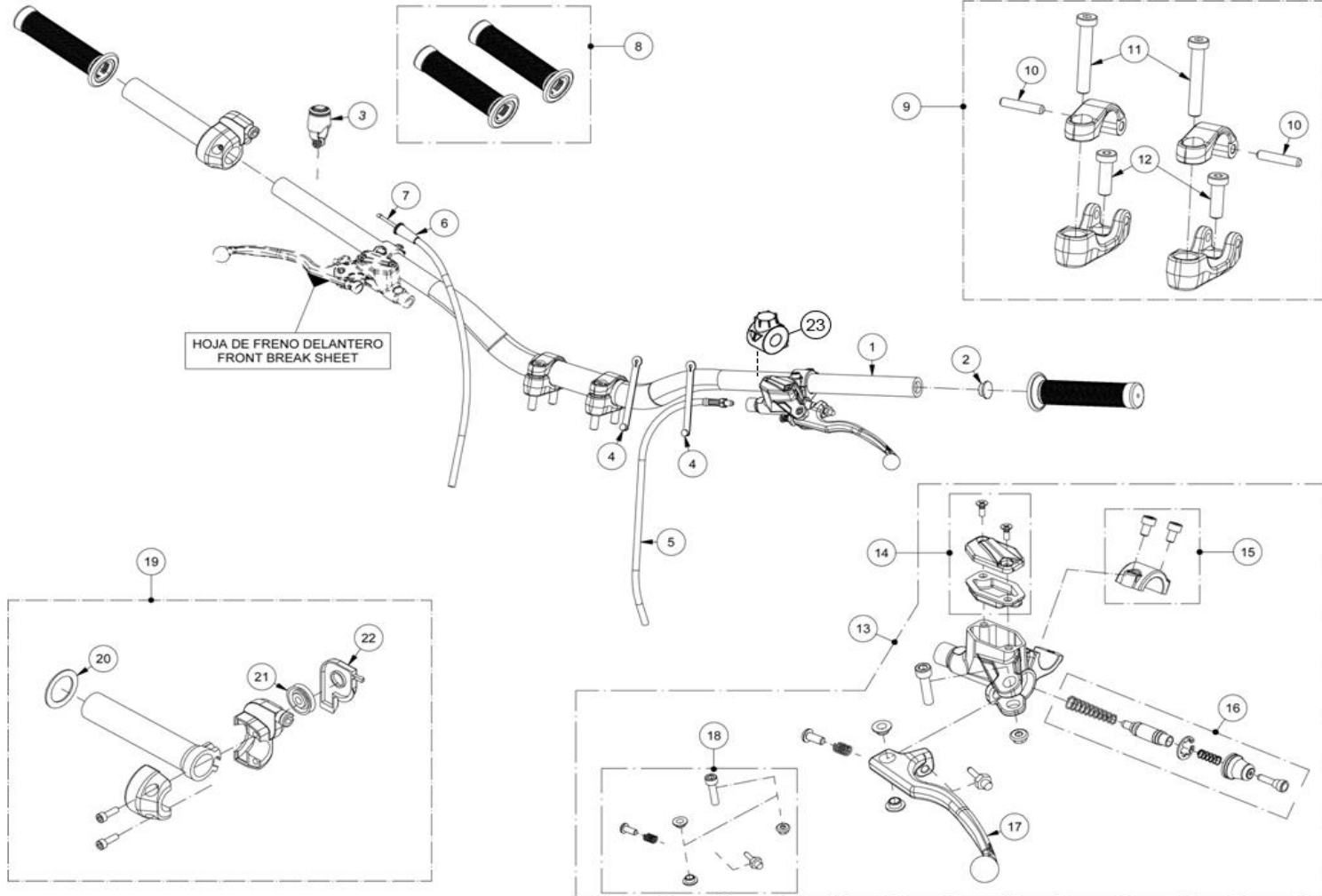
CONTACT 2017 / 2018
SCHOOL 2017 / 2018

KIT ARRANQUE ELÉCTRICO
ELECTRIC START KIT



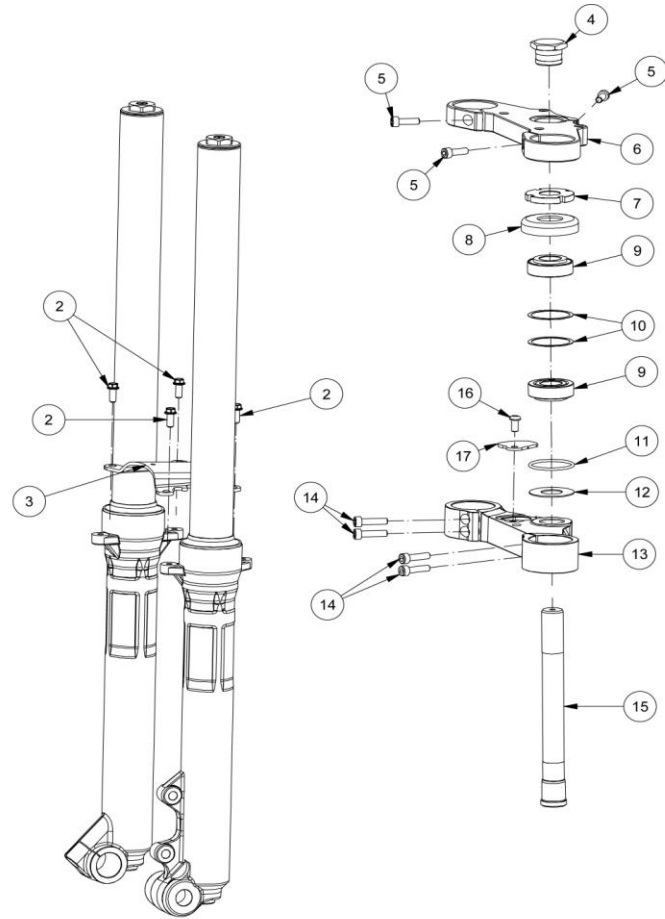
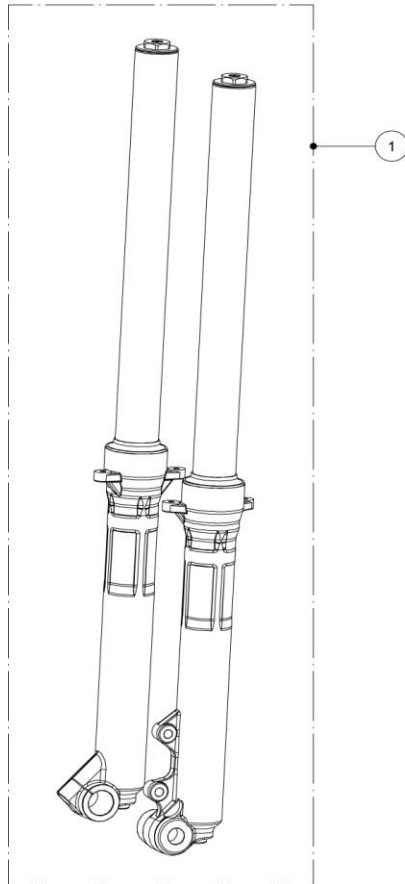
Revisión 01 01 /09/2017

La empresa tiene derecho, sin previo aviso, de cambiar el contenido técnico de los productos. The Company reserves the right to modify technical specifications without prior notice.



Nº	DESCRIPCION	DESCRIPTION			125	250 / 280	Cant.
1	MANILLAR	HANDLEBAR			BT25000GG-CGA-1	BT25000GG-CGA-1	1
2	TAPON MANILLAR MOSS (12089)	HANDLEBAR CAP(12089)			BT255953012	BT255953012	1
3	DISPOSITIVO BOTON DE PARO	STOP BUTTON			ET85500GG-CGI-1	ET85500GG-CGI-1	1
4	GOMA SUJECIÓN CABLEADOS	WIRE SUBJET RUBBER			BFS450320067	BFS450320067	2
5	LATIGUILLO EMBRAGUE TRIAL	CLUTCH HOSE			BT47000GG-CKA-1	BT47000GG-CKA-1	1
6	GUARDAPOLVO PUÑO GAS	THROTTLE CABLE DUST COVER			G600000	G600000	1
7	CABLE DE GAS	THROTTLE CABLE			E160003	BT27924008	1
8	JUEGO EMPUÑADURAS TRIAL	HANDLEBAR GRIP (PAIR)			BT26100GG-CBN-1	BT26100GG-CBN-1	1
9	KIT BRIDAS MANILLAR	HANDLEBAR RAISERS KIT			BT280414012C	BT280414012C	1
10	PASADOR CILÍNDRICO	DOWEL PIN			BT280414010	BT280414010	2
11	TORNILLO UFK 8X50	8X50 UFK SCREW			T0318050	T0318050	2
12	TORNILLO UFK 8X25	8X25 UFK SCREW			T0318025	T0318025	2
13	CTO. BOMBA ENBRAGUE RACING	CLUTCH PUMP			BT46000GG-CJJ-1	BT46000GG-CJJ-1	1
14	KIT TAPA BOMBA	COVER PUMP SET			BT46200CT-CAS-1	BT46200CT-CAS-1	1
15	BRIDA BOMBA EMBRAGUE	MASTER CYLINDER CLAMP			BT61350GG-CAS-1	BT61350GG-CAS-1	1
16	KIT REPARACION BOMBA EMBRAGUE	CLUTCH PUMP REPAIR SET			BT460103013CT	BT460103013CT	1
17	MANETA EMBRAGUE RACING	CLUTCH LEVER R			E200701	E200701	1
18	KIT AJUSTE	ADJUST KIT			BT614003013	BT614003013	1
19	PUÑO MANDO GAS	TWIST GRIP			E100001	E100001	1
20	ARANDELA MANDO GAS	TWIST GRIP WASHER			BT27922078	BT27922078	1
21	RODILLO MANDO GAS	TWIST GRIP ROLLER			E119000	E119000	1
22	TAPA MANDO GAS	TWIST GRIP COVER			E140000	E140000	1
23	CONMUTADOR CON ARRANQUE	START SWITCH			EE60200GG-CLJ-1	EE60200GG-CLJ-1	1

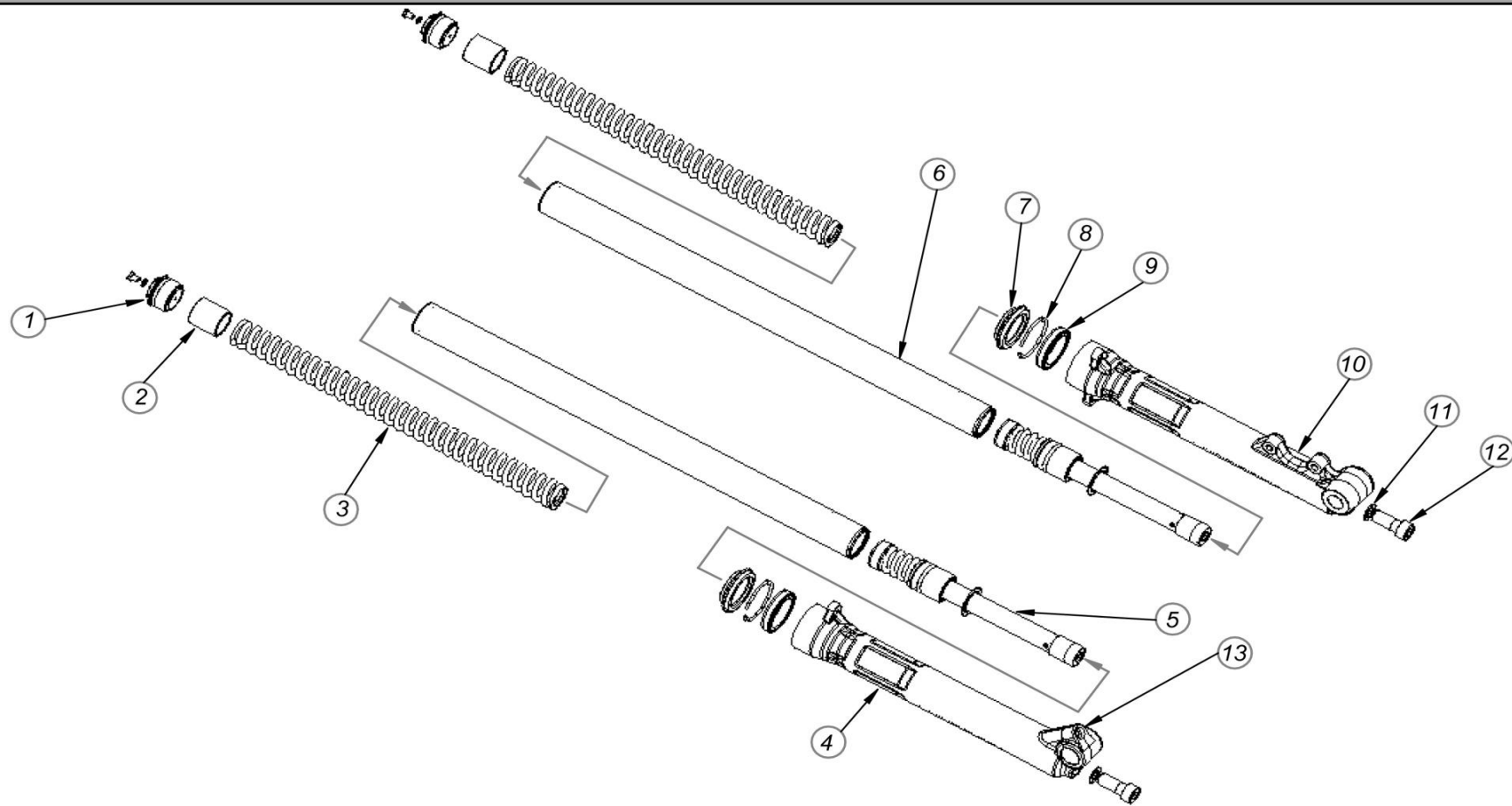
GASGAS *Chasis 1*



Nº	DESCRIPCION	DESCRIPTION			125	250 / 280	Cant.
1	CTO.SUSPENSION DELANTERA	FORK SUSPENSION SET			BT20000CT-CFZ-1	BT20000CT-CFZ-1	1
2	M6X14 TORNILLO HEXAGONAL	M6x14 HEXAGONAL SCREW			T0206014	T0206014	4
3	PUENTE SUSPENSION	FRONT SUSPENSION UNION			BT21500R3009	BT21500R3009	1
4	TUERCA CIEGA SUPERIOR DIRECCIÓN	NUT TOP STEERING AXLE			BT280410030	BT280410030	1
5	TORNILLO ALLEN M6X20 BRIDA SUPERIOR	M6x20 ALLEN SCREW			T0306020	T0306020	3
6	BRIDA SUSPERIOR SUSPENSION	UPPER FORK CLAMP			BT22000GG-CFZ-1	BT22000GG-CFZ-1	1
7	TUERCA INFERIOR DE DIRECCIÓN	NUT UNDER FORK CLAMP			BT280410029	BT280410029	1
8	GUARDAPOLVO COJINETES DIRECCIÓN SUP.	BEARING STEERING DUST COVER			BEP250210026	BEP250210026	1
9	COJINETE DIRECCIÓN	BEARING STEERING DUST COVER			BT280210008	BT280210008	2
10	ARANDELA 22,4x36x0,7	22,4x36x0,7 WASHER			T4022036	T4022036	2
11	TÓRICA DIRECCIÓN 37X2,5	37X2,5 O'RING STEERING			BEP250210012	BEP250210012	1
12	ARANDELA TORICA INFERIOR COLUMNA DIRECCION	WASHER STEERING			BT280210026	BT280210026	1
13	BRIDA INFERIOR SUSPENSION	LOWER FORK CLAMP			BT21000GG-CFZ-1	BT21000GG-CFZ-1	1
14	TORNILLO ALLEN M6X25	M6X25 ALLEN SCREW			T0306025	T0306025	4
15	EJE DIRECCIÓN	AXLE STEERING			BT280214003	BT280214003	1
16	TORNILLO ULS M6x12	M6x12 ULS SCREW			T0506012	T0506012	1
17	TAPA AGUJERO CLAUSOR	HOLE CLAUSOR COVER			BT280210077/1	BT280210077/1	1

GASGAS

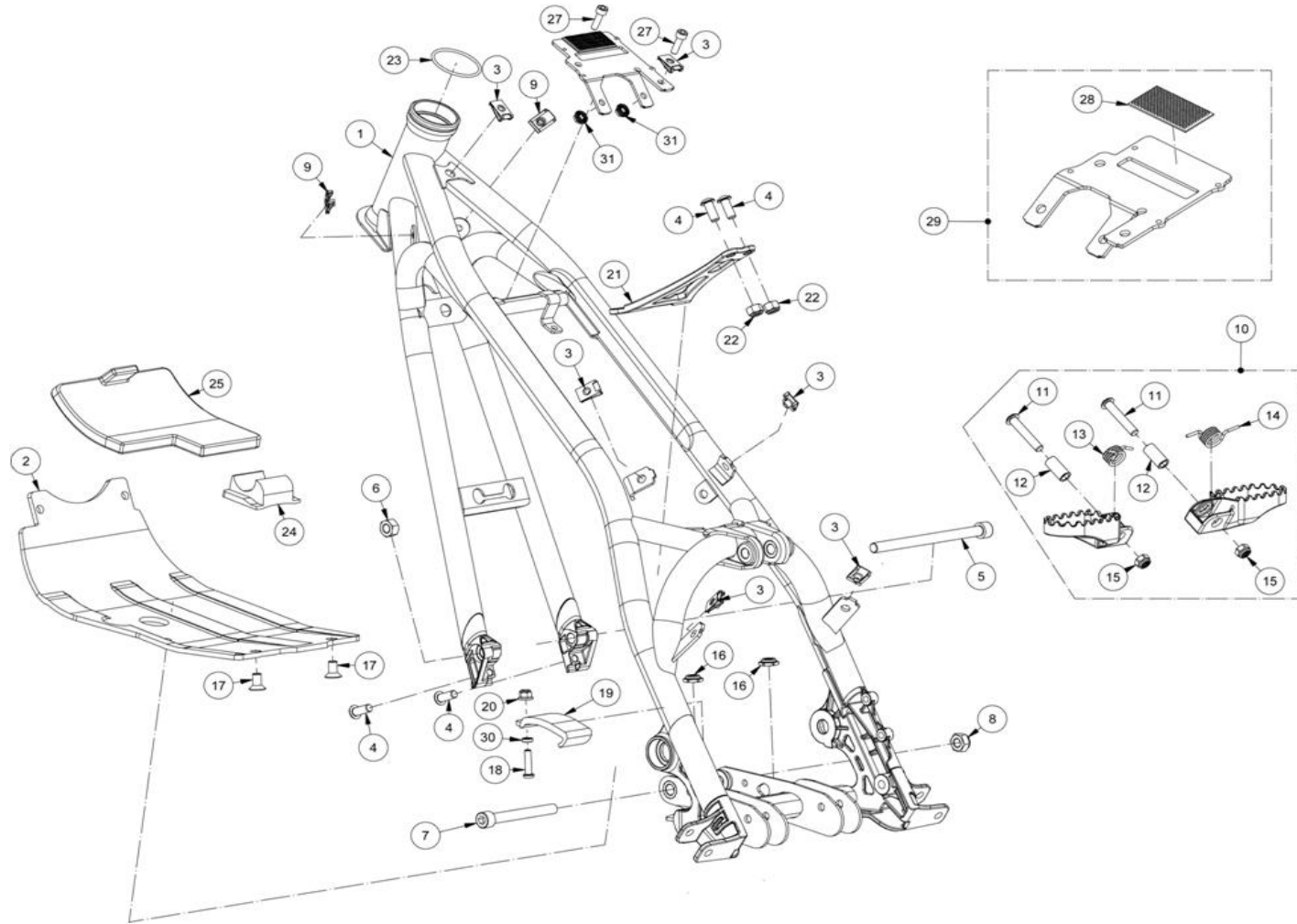
Chasis 2



Nº	DESCRIPCION	DESCRIPTION	125	250 / 280	Cant.
1	CTO. TAPON	FORK CAP ASSY	BT20120GG-CDA-1	BT20120GG-CDA-1	2
2	DISTANCIADOR PRECARGA	PRELOAD SPACER	BT20215GG-CFZ-1	BT20215GG-CFZ-1	2
3	MUELLE	SPRING	BT20170GG-CDA-1	BT20170GG-CDA-1	2
4	BOTELLA DERECHA	RIGHT OUTER TUBE	BT20100GG-CDA-1	BT20100GG-CDA-1	1
5	CARTUCHO HIDRAULICO COMPLETO	HYDRAULIC CARTRIDGE ASSY	BT20220GG-CDA-1	BT20220GG-CDA-1	2
6	BARRA HORQUILLA	RIGHT FORK STANCHION	BT20110GG-CFZ-1	BT20110GG-CFZ-1	2
7	RASCADOR	DUST SEAL	BT20130GG-CDA-1	BT20130GG-CDA-1	2
8	ANILLO SEEGER	STOP RING	BT20135GG-CDA-1	BT20135GG-CDA-1	2
9	RETEN	OIL SEAL	BT20140GG-CDA-1	BT20140GG-CDA-1	2
10	BOTELLA IZQUIERDA	LEFT OUTER TUBE	BT20105GG-CDA-1	BT20105GG-CDA-1	1
11	ARANDELA COBRE	COPPER WASHER	BT20186GG-CDD-1	BT20186GG-CDD-1	2
12	TORNILLO	SCREW	BT20185GG-CDD-1	BT20185GG-CDD-1	2
13	TORNILLO	SCREW	BT20187GG-CDD-1	BT20187GG-CDD-1	1

GASGAS

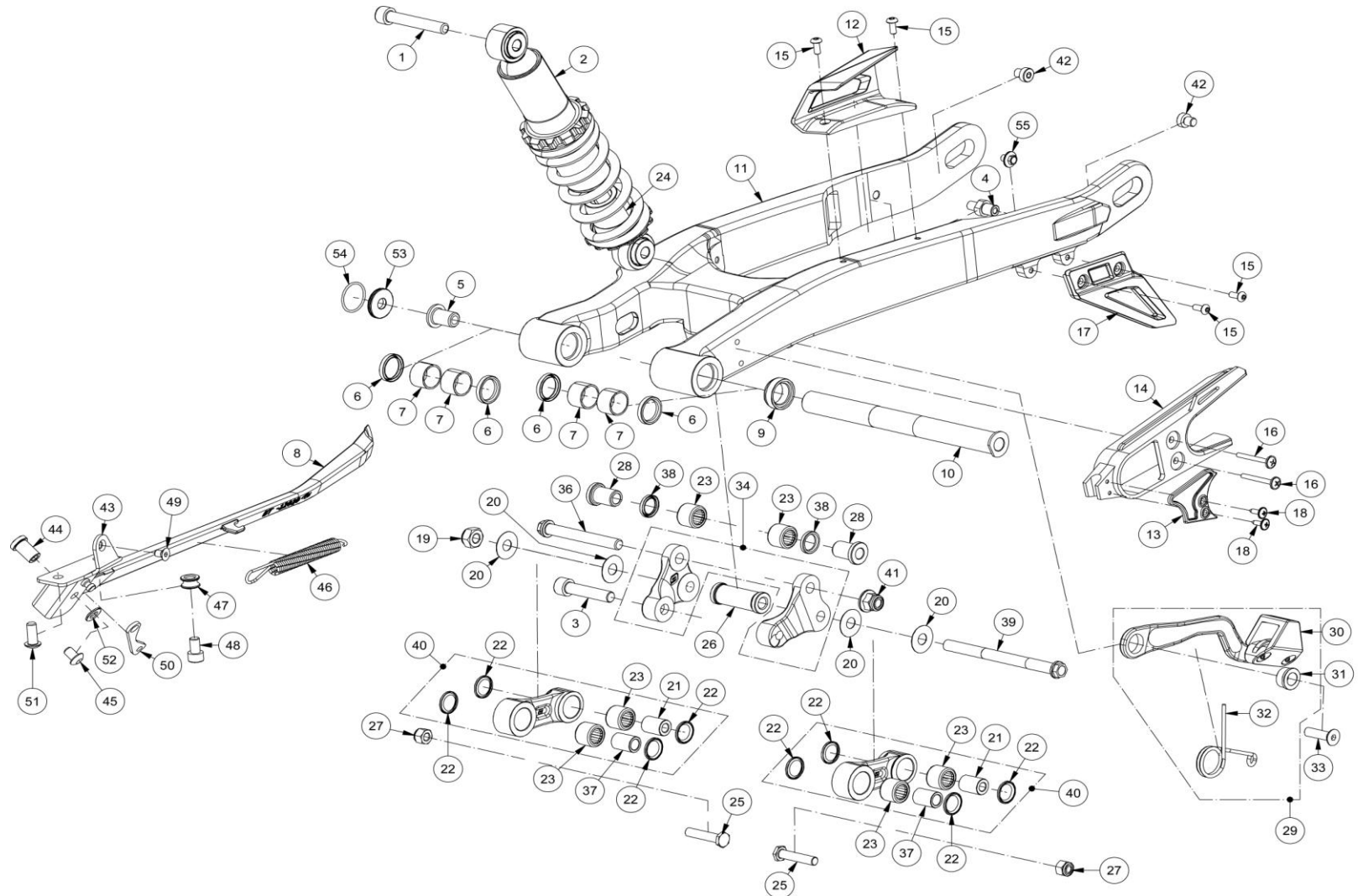
Chasis 2



Nº	DESCRIPCION	DESCRIPTION			125	250 / 280	Cant.
1	CHASIS TRIAL	TRIAL FRAME			BT10000CT-CGI-1	BT10000CT-CGI-1	1
2	PLACA PROTECCIÓN MOTOR	TRIAL ENGINE PROTECTOR PLATE			BT10000013012	BT10000013012	1
3	TUERCA NUT 956 RAPIDA M6	M6 CHIMNEY NUT			T2606000	T2606000	6
4	ULS 8X20	8X20 ULS			T0508020	T0508020	4
5	ALLEN M10X140 ZINCADO 12.9	M10X140 ALLEN SCREW			T0310140	T0310140	1
6	TUERCA ESPECIAL M10	SPECIAL M10 NUT			BT280210069	BT280210069	1
7	ALLEN 10x85	10X85 ALLEN SCREW			T0301085	T0301085	1
8	TUERCA AUTOBLOCANTE M10 BAJA	SPECIAL M10 NUT			T2110001	T2110001	1
9	GRAPA FIJA TAPA LATERAL	SPECIAL NUT TO FIX SIDE COVER			BX250020029	BX250020029	2
10	CTO. ESTRIBOS	FOOTPEGS KIT			BT14000CT2808	BT14000CT2808	1
11	TORNILLO ULS M8x45	M8x45 ULS SCREW			T0508045	T0508045	2
12	DISTANCIADOR	SPACER			BT27910006	BT27910006	2
13	MUELLES ESTRIBERA IZQUIERDA	LEFT FOOTPEG SPRING			M100004	M100004	1
14	MUELLE ESTRIBERA DERECHA	RIGHT FOOTPEG SPRING			M100003	M100003	1
15	TUERCA AUTOBLOCANTE M8 DIN985	M8 SELF-LOCKING NUT DIN985			T2108001	T2108001	2
16	CASQUILLO PROTECTOR CÁRTER	CRANKCASE BUSH PROTECTOR			BT280310883	BT280310883	2
17	TORNILLO ALLEN CONICO M8X16	ALLEN TAPERED SCREW M8X16			T0408016	T0408016	2
18	TORNILLO ULS 6X25	ULS 6X25 SCREW			T0506025	T0506025	1
19	PROTECTOR CADENA A CHASIS	CHAIN PROTECTOR			BT280212026	BT280212026	1
20	TUERCA AUTOBLOCANTE DIN-6926 M6 CON ARANDELA ZN	M6 SELF-LOCKING NUT WITH WASHER			T2206002	T2206002	1
21	TIRANTE CILINDRO	BRACE CYLINDER			BT280110050	BT280110050	1
22	TUERCA AUTOBLOCANTE M-8 ALTA	SELF-LOCKING NUT M8 HIGH			T2108002	T2108002	2
23	JUNTA TORICA PIPA	O-RING STEERING COLUMN			BT100503013	BT100503013	1
24	GOMA PROTECTOR TRASERO MOTOR	REAR ENGINE PROT. RUBBER			BT280336029	BT280336029	1
25	GOMA PROTECTOR DELANTERO MOTOR	FRONT ENGINE PROT. RUBBER			BT280236030	BT280236030	1
27	TORNILLO ALLEN M6X20	M6X20 ALLEN SCREW			T0306020	T0306020	2
28	CINTA DE CIERRE ADHESIVA	LOCKING ADHESIVE TAPE			BT51120GG-CBN-1	BT51120GG-CBN-1	1
29	CONJUNTO SOPORTE CDI	CDI SUPPORT SET			BT10001CT-CBN-1	BT10001CT-CBN-1	1
30	CASQUILLO FIJA PROTECTOR CHASIS-CADENA	BUSH FRAME-CHAIN GUARD			BC250014050	BC250014050	1
31	TUERCA M6 CON BALONA ESTRIADA	M6 NUT			T2206000	T2206000	2

GASGAS

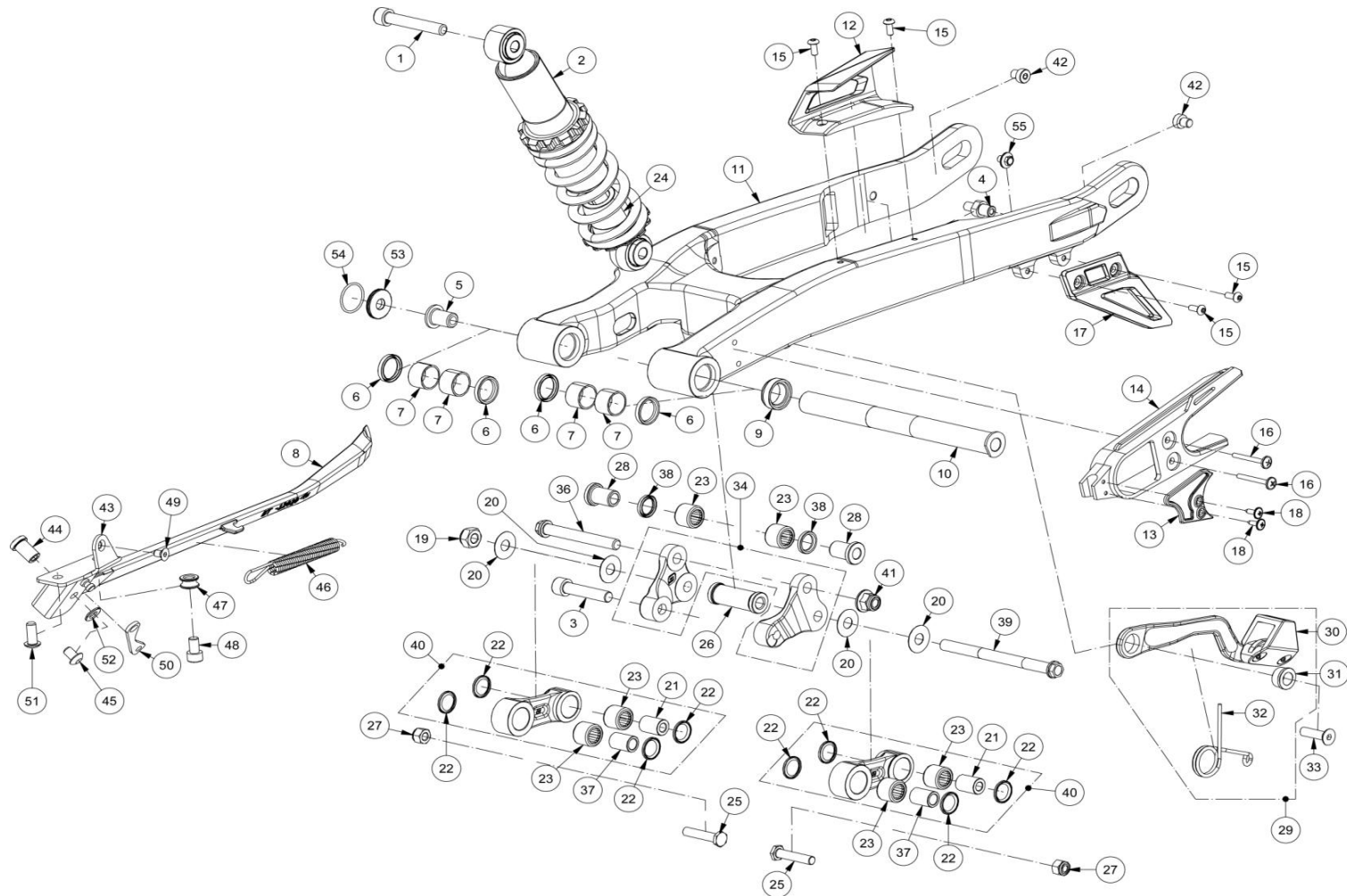
Chasis 3



Nº	DESCRIPCION	DESCRIPTION			125	250 / 280	Cant.
1	ALLEN 10X63	10X63 ALLEN SCREW			BT35000013011	BT35000013011	1
2	AMORTIGUADOR TRIAL	REAR SHOCK ABSORBER			BT300002813	BT300002813	1
3	TORNILLO ESPECIAL	SPECIAL SCREW			T0310046	T0310046	1
4	GUIA PINZA DE FRENO	REAR CALIPER GUIDE			BT671153013	BT671153013	1
5	TORNILLO EJE BASCULANTE TRIAL	SWING-ARM AXLE SCREW			BT280212009	BT280212009	1
6	RETÉN 20-26-4 870 N BASCULANTE	20-26-4 OIL SEAL			C220001	C220001	4
7	COJINETE	BEARING			BT280212032	BT280212032	4
8	CABALLETE TRIAL 99	SIDE STAND BRACKET			BT280712010	BT280712010	1
9	CASQUILLO GUÍA EJE BASCULANTE	SWING-ARM AXLE BUSHING			BT280212108	BT280212108	1
10	EJE BASCULANTE TRIAL	SWING-ARM AXLE			BT44500R3009	BT44500R3009	1
11	BASCULANTE TRIAL	TRIAL SWING-ARM			BT40000GG-CJJ-1	BT40000GG-CJJ-1	1
12	CUBRECADENAS	CHAIN COVER			BT42040RA3011	BT42040RA3011	1
13	PROTECTOR PIÑÓN TRIAL 2002	PINION PROTECTOR			BT280236021	BT280236021	1
14	PATÍN CADENA	CHAIN GUIDE			BT280412015	BT280412015	1
15	ULS 5X12	5X12 ULS			T0505012	T0505012	4
16	REMACHE CABOTA GRANDE 14X4 8X21 PATÍN	RIVET			T4505016	T4505016	2
17	PROTECTOR CORONA TRIAL 2003	SPROCKET PROTECTOR			BT57350RA3011	BT57350RA3011	1
18	TORNILLO ROSCA-CHAPA 4.2X12	4,2X12 SCREW			T259349	T259349	2
19	TUERCA AUTOBLOCANTE	SELF-LOCKING NUT			T2110001	T2110001	1
20	ARANDELA REGLAJE 10.5X26X0.5	10.5X26X0.5 WASHER			T4001026	T4001026	4
21	CASQUILLO SUSPENSIÓN DIAM. 10	SUSPENSION BUSHING			BT27712005	BT27712005	2
22	RETÉN 15X21X2 / 15X21X2 OIL SEAL	15X21X2 OIL SEAL			C230001	C230001	8
23	COJINETE AGUJAS 15BM2116	NEEDLE BEARING			BT27714009	BT27714009	6
24	TOPE AMORTIGUADOR	SHOCK ABSORVER END OF TRAVEL			BT311003013	BT311003013	1
25	TORNILLO ESPECIAL BIELETA 8X38	8X38 SPECIAL SCREW			T0118038	T0118038	2
26	CASQUILLO DISTANCIADOR BALANCÍN	ARTICULATION SPACER BUSHING			BT27914016	BT27914016	1
27	TUERCA AUTOBLOCANTE M8 ALTA	SELF-LOCKING NUT			T2108002	T2108002	2
28	CASQUILLO BALANCÍN 99	ARTICULATION BUSHING			BT27914014	BT27914014	2
29	CTO. TENSOR CADENA	CHAIN TENSIONER ASSY.			BT42000RCT3009	BT42000RCT3009	1
30	GOMA TENSOR CADENA	TENSIONER CHAIN RUBBER			BT42010RA3010	BT42010RA3010	1
31	CASQUILLO TENSOR CADENA	CHAIN TENSIONER BUSHING			B560000	B560000	1
32	MUELLE TENSOR CADENA	CHAIN TENSIONER SPRING			M122000	M122000	1
33	ALLEN CONICO 8X30 TENSOR CADENA	8X30 CONIC ALLEN			T0408030	T0408030	1

GASGAS

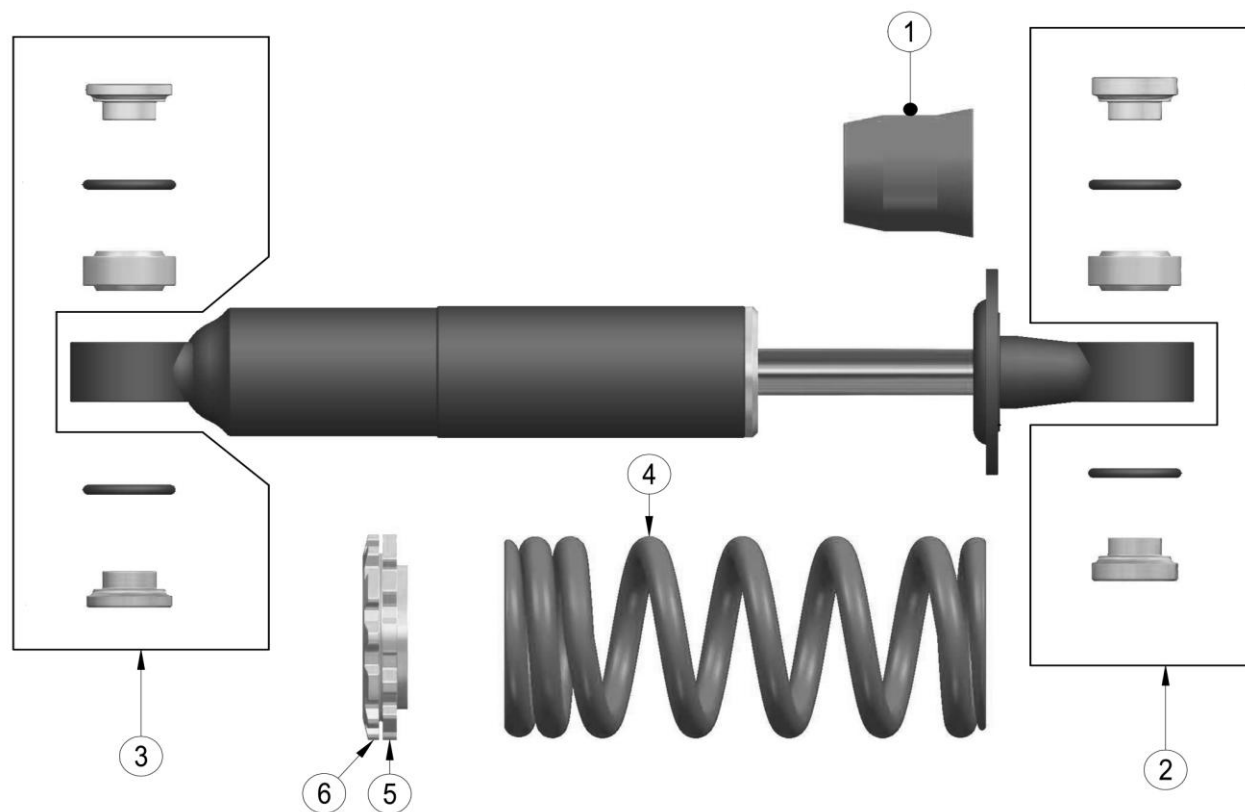
Chasis 4



Nº	DESCRIPCION	DESCRIPTION			125	250 / 280	Cant.
34	CTO. BALANCIN TRIAL RAGA 2012 LINK 0	ROCKER ARM SET LINK 0			BT32000RCT3009	BT32000RCT3009	1
36	TORNILLO ESPECIAL M10X80X1.25 12.9	M10X80X1.25 SCREW			T0210080	T0210080	1
37	CASQUILLO SUSPENSIÓN DIAM.8	DIAM. 8 SUSPENSION BUSHING			BT27712014	BT27712014	2
38	RETÉN 15-21-3-8170N BASC. BAL.	15-21-3-8170N OIL SEAL			C230000	C230000	2
39	TORNILLO M10X125	SCREW M10X125			BT35000003012	BT35000003012	1
40	BIELETA ALUMINIO TRIAL COMPLETA	ALUMINIUM ROD SET			BT280014008CT	BT280014008CT	2
41	TUERCA M10	M10 NUT			T3110002	T3110002	1
42	TORNILLO ESPECIAL UFK M8x8 10,9	SPECIAL UFK SCREW M8x8 10.9			T0310808	T0310808	2
43	SOPORTE CABALLETE	SIDE STAND SUPPORT			BT14210R3009	BT14210R3009	1
44	CASQUILLO GUÍA CABALLETE TRIAL	BUSH, PIVOT SIDE STAND			BT27712011	BT27712011	1
45	ULS 8X14	8X14 ULS BOLT			T0308014	T0308014	1
46	MUELLE CABALLETE	SIDE STAND SPRING			BT14250GG-CAT-1	BT14250GG-CAT-1	1
47	CASQUILLO TOPE CABALLETE	SIDE STAND BUSH			BE250714036	BE250714036	1
48	ALLEN M8x25	M8X25 ALLEN SCREW			T0308025	T0308025	1
49	ALLEN CONICO M6X16	M6X16 TAPERED ALLEN SCREW			T0406016i	T0406016i	1
50	EXCÉNTRICA CABALLETE TRIAL HOMO.	ADJUSTER			BT280312025H	BT280312025H	1
51	ULS M8X20	M8x20 ULS SCREW			T0508020	T0508020	1
52	ARANDELA 8x16x1,5	8x16x1,5 WASHER			T4008016	T4008016	1
53	CASQUILLO TAPA EJE BASCULANTE	SWINGARM AXLE CAP			BT43000R3009	BT43000R3009	1
54	JUNTA TORICA NBR Ø25,12x1,78	Ø25,12x1,78 NBR O'RING			MIT50032063	MIT50032063	1
55	TORNILLO RETENDOR PINZA FRENO	CALIPER BOLT STOPPER			T0200608	T0200608	1

GASGAS

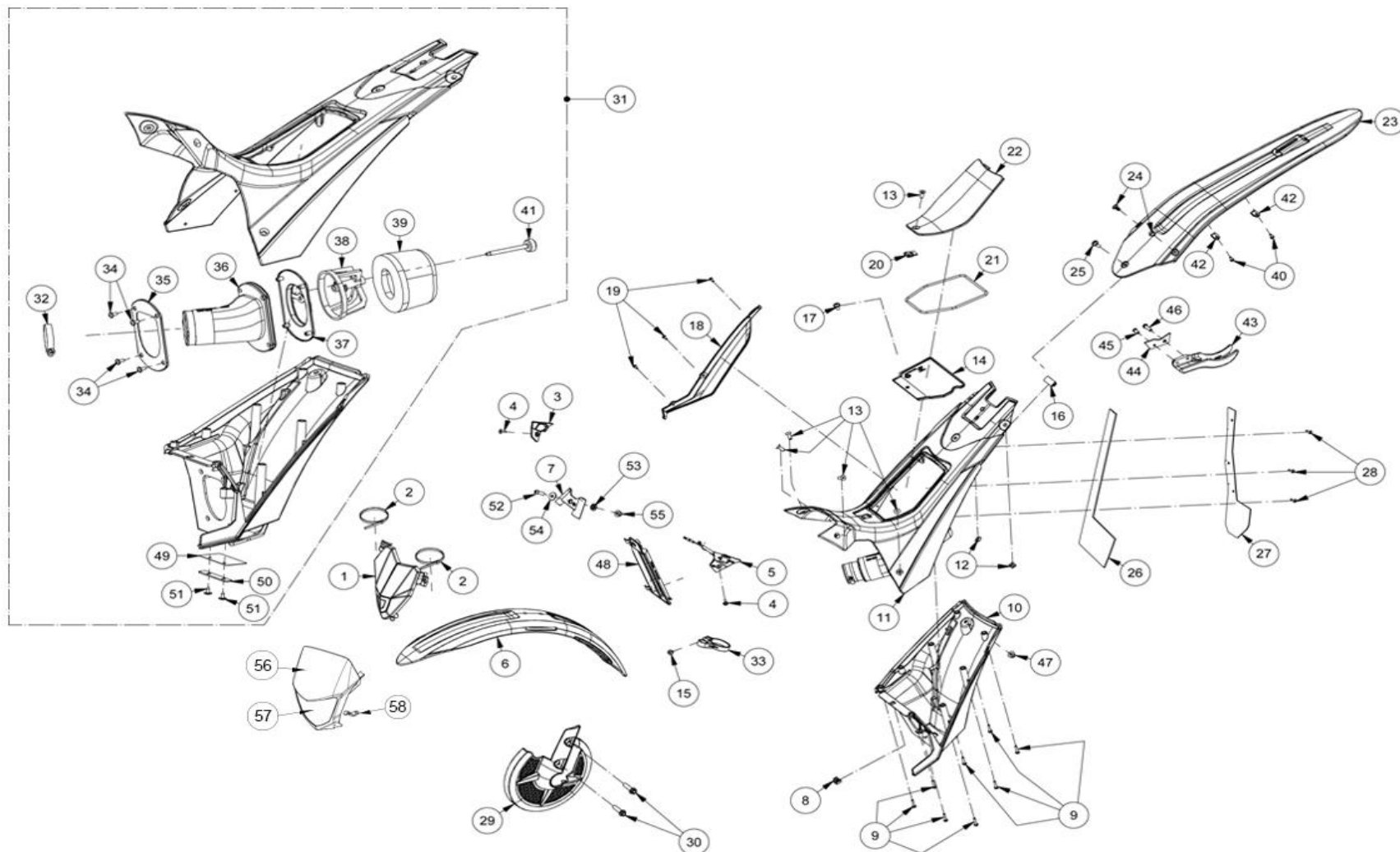
Chasis 4



Nº	DESCRIPCION	DESCRIPTION			125	250 / 280	Cant.
1	TAMPON DE COMPRESION				BT31100GG-CDA-1	BT31100GG-CDA-1	1
2	KIT ROTULA SUPERIOR				BT30015CT-CDA-1	BT30015CT-CDA-1	1
3	KIT ROTULA INFERIOR				BT30016CT-CDA-1	BT30016CT-CDA-1	1
4	MUELLE				BT30010GG-CDA-1	BT30010GG-CDA-1	1
5	TUERCA REGULADOR MUELLE				BT30030GG-CDA-1	BT30030GG-CDA-1	1
6	CONTRATUERCA REGULADOR MUELLE				BT30035GG-CDA-1	BT30035GG-CDA-1	1

GASGAS

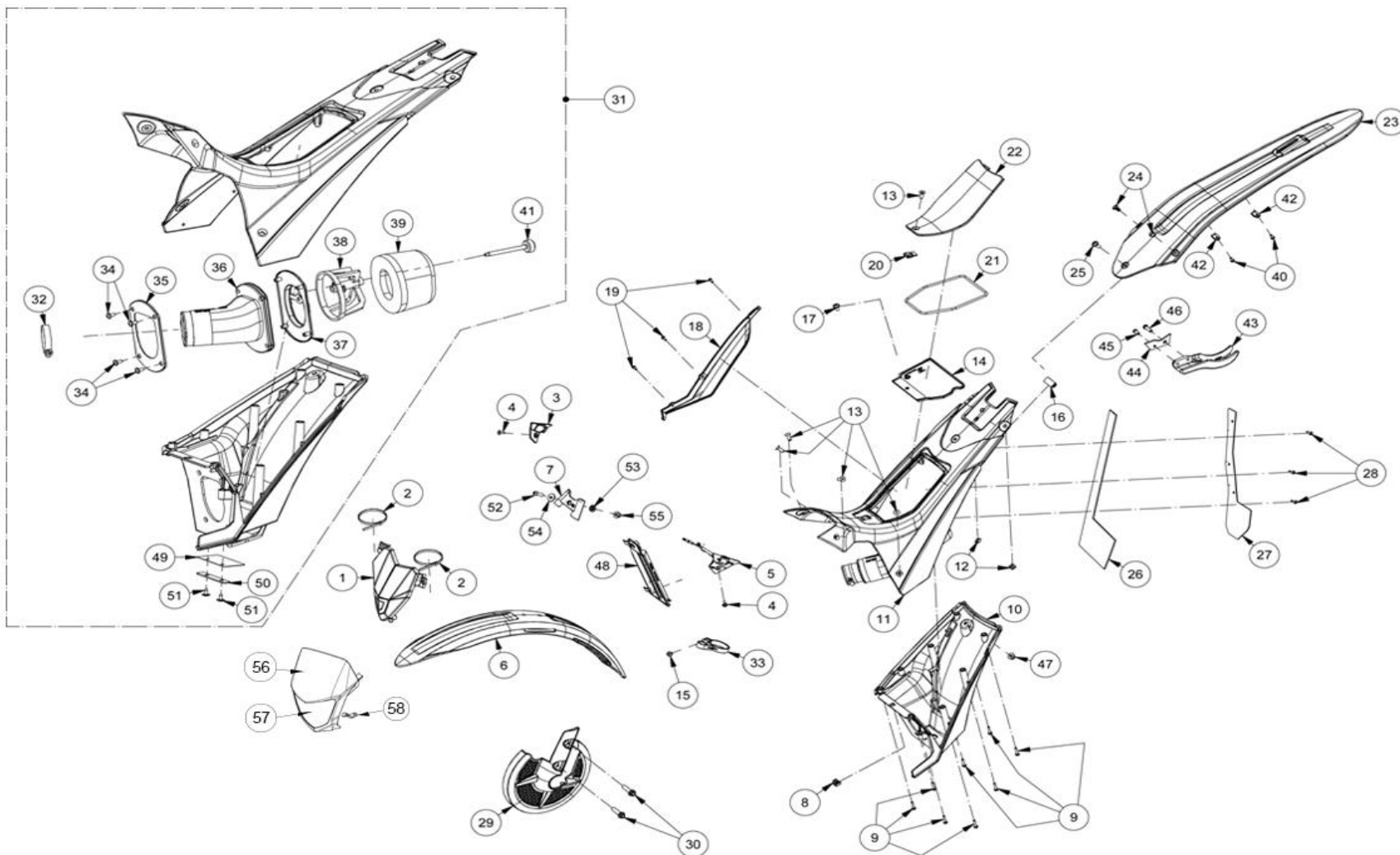
Chasis 5



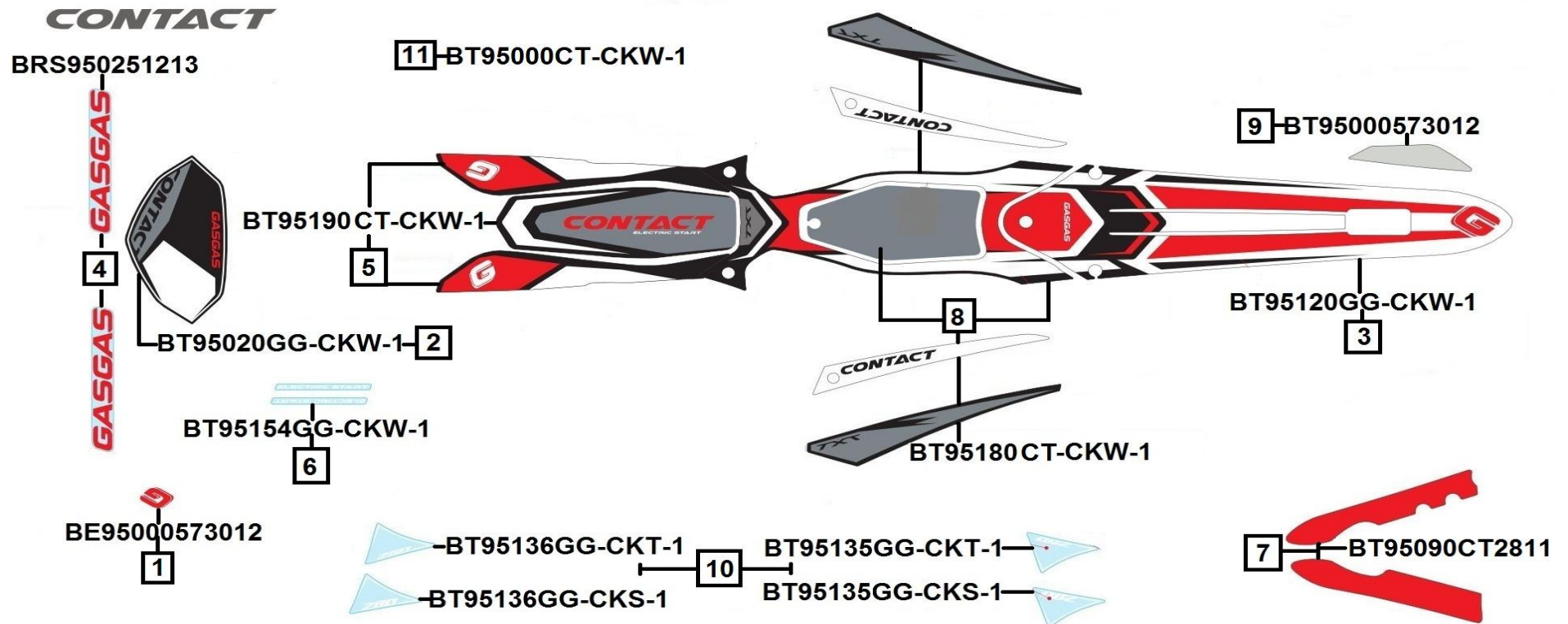
Nº	DESCRIPCION	DESCRIPTION			125	250 / 280	Cant.
1	CTO. FARO TXT RACING	RACING HEADLIGHT SET			BT90500CT-CKA-1	BPS905001212	1
2	BRIDA UNEX	UNEX PLASTIC CLAMP			BE25634007	BE25634007	2
3	TAPA LATERAL DERECHA	RIGHT SIDE COVER			BT91500RA3008	BT91500RA3008	1
4	TORNILLO CHAPA 4.2X13	SCREW 4.2X13			T0804612/2	T0804612/2	2
5	TAPA LATERAL IZQUIERDA CON INTERRUPTOR DE LUCES	LEFT SIDE COVER WITH LIGHTS SWITCH			BT92000CT-CBN-1	BT92000RA3008	1
6	CTO.GUARDABARROS DELANTERO	TRIAL FRONT FENDER ASSY			BT90000163012	BT90000163012	1
7	PROTECTOR TOPE DE DIRECCION	STEERING STOP PROTECTOR			BT170002809	BT170002809	1
8	TUERCA ENJAULADA M6	M6 STANDARD CAGE NUT			T2006010	T2006010	1
9	TORNILLO ROSCA-CHAPA 3,5X20	3,5X20 SCREW THREAD			T0803020	T0803020	8
10	CAJA FILTRO TRIAL	AIR CLEANER BOX			BT790003013	BT790003013	1
11	CTO. BASE ASIENTO TRIAL	TRIAL SEAT ASSY			BT94000CT-CNW-1	BT94000CT-CNW-1	1
12	TUERCA CUADRADA M6 INOX DIN 557	M6 SQUARE NUT INOX DIN 557			T730600000009	T730600000009	2
13	TORNILLO CONICO 6X16 INOX	INOX 6X16 CONIC SCREW			T0406016I	T0406016I	5
14	CONJUNTO VISERA INTERIOR CAJA FILTRO	INTERNAL AIRFILTER BOX COVER SET			BT798103013CT	BT798103013CT	1
15	TORNILLO GUIA LATIGUILLO	HOSE GUIDE SCREW			T259349	T259349	1
16	PRENSACABLES SR1789	CABLE GLAND			BT280428006	BT280428006	1
17	TORNILLO ESP.6X12 CON ARANDELA Y FIJADOR INOX	M6X12 SPECIAL SCREW WITH WASHER			BT35000073012	BT35000073012	1
18	PROTECTOR ESCAPE TRIAL	EXHAUST PROTECTOR			BT947002811	BT947002811	1
19	REMACHE ALUMINIO 4X12 CABOTA NEGRA	ALUMINIUM RIVET			T4504012N	T4504012N	2
20	GRAPA TUERCA RAPIDA M6	M6 CHIMNEY NUT			T2606000	T2606000	1
21	TUBO FLEXIBLE SILICONA BASE ASIENTO	SEAT BASE SILICON HOSE			BT795302811	BT795302811	1
22	CTO. TAPA CAJA FILTRO TRIAL	TRIAL FILTER BOX COVER ASSY			BT79050CT-CMK-1	BT79050CT-CMK-1	1
23	CTO. GUARDABARROS TRAS. TRIAL	TRIAL REAR FENDER ASSY			BT93500CT-CMK-1	BT93500CT-CMK-1	1
24	TORNILLO ESP.DE PLASTICO NEGRO M6X12	M6X12 BLACK ESPECIAL PLASTIC SCREW			BT35000083012	BT35000083012	2
25	ULS 6X16 CON ARANDELA NEGRO	6X16 BLACK ULS WITH WASHER			T0556016	T0556016	1
26	AD. PROTECTOR CAJA FILTRO	AIR CLEANER PROTECTOR SITCKER			BT795502811	BT795502811	1
27	GOMA PROTECCIÓN CAJA FILTRO	AIR CLEANER BOX PROTECTOR RUBBER			BT795402811	BT795402811	1
28	TORN. ESPECIAL PLASTICO 4X12 CELO RF87T ZINCADO	4X12 SPECIAL SCREW			T0804012	T0804012	3
29	PROTECTOR DISCO FRENO	FRONT BRAKE DISK PROTECTOR			BT941003013	BT941003013	1
30	TORNILLO PINZA FRENO DELANTERA INFERIOR 8X1.25X36.5	SCREW			BT280022071	BT280022071	2
31	CTO. CAJA FILTRO TRIAL PRO	PRO FILTER BOX SET			BT79000CT-CJT-1	BT79000CT-CJT-1	1
32	ABRAZADERA S56/9 /	CLAMP			MT280316132	MT280316132	1
33	GUIA LATIGUILLO FRENO DELANTERO	BREAK HOSE GUIDE			BT21600RA3010	BT21600RA3010	1
34	ULS 4X10 NEGRO CON ABRAZADERA	ULS 4X10 BOLT			T0554010N	T0554010N	4
35	PLATINA EXTERIOR SOPORTE JAULA FILTRO TRIAL 2002	EXTERNAL PLATE			BT280228021	BT280228021	1

GASGAS

Chasis 5



Nº	DESCRIPCION	DESCRIPTION			125	250 / 280	Cant.
36	TOBERA CAJA FILTRO TRIAL SXXI	TUBE, AIR CLEANER CONNECT.			BT792002811	BT792002811	1
37	PLATINA INTERIOR SOPORTE JAULA FILTRO TRIAL 2002	INNER PLATE			BT280228020	BT280228020	1
38	JAULA FILTRO AIRE TRIAL 280-2002	AIR CLEANER CAGE			BT280228002	BT280228002	1
39	FILTRO AIRE TRIAL XXI	AIR CLEANER			BT280328000	BT280328000	1
40	TORNILLO ROSCA CHAPA 3,6x10	3,6X10 SCREW			T36040101910B	T36040101910B	2
41	VARILLA FILTRO TRIAL 2002	AIR CLEANER ROD			BT795202811	BT795202811	1
42	GRAPA SUJECCIÓN CABLE	CABLE FIXING CLIP			ET750502809	ET750502809	2
43	PROTECTOR DISCO TRASERO	REAR BRAKE DISC GUARD			BT57050R3009	BT57050R3009	1
44	SOPORTE PROTECTOR DE DISCO	DISC GUARD SUPPORT			BT280222051	BT280222051	1
45	TORNILLO ULS M5x12	M5x12 ULS SCREW			T0505012	T0505012	1
46	TORNILLO ULS M6x20	M6x20 ULS SCREW			T0506020	T0506020	1
47	TUERCA M6	M6 NUT			T2206002	T2206002	1
48	PROTECTOR RADIADOR	RADIATOR GUARD			BT730502809	BT730502809	1
49	VÁLVULA VACIADOR CAJA FILTRO TRIAL	TRIAL FILTER BOX VALVE			BT280428032	BT280428032	1
50	PISADOR VÁLVULA VACIADOR CAJA FILTRO	BOX VALVE SUJECTION			BT280428045	BT280428045	1
51	TORNILLO ROSCA-CHAPA 4,2X10 NEGRO	BLACK 4,2X10 SCREW			T0604210	T0604210	2
52	TORNILLO ULS TOPE DE DIRECCION	STEERING STOP PROTECTOR ULS SCREW			T0506020	T0506020	1
53	CASQUILLO SEPARADOR TOPE DE DIRECCION	STEERING STOP PROTECTOR BUSH			BE250032060	BE250032060	1
54	ARANDELA TOPE DE DIRECCION	STEERING STOP PROTECTOR WASHER			T4006018	T4006018	1
55	TUERCA AUTOBLOCANTE	AUTOLOCK NUT			T2206002	T2206002	1
56	PLASTICO FARO DELANTERO	FRONT HEADLIGHT PLASTIC			NA	1010040211	1
57	OPTICA	FRONT OPTICS			NA	2100030211	1
58	SOPORTE OPTICA	OPTIC SUPPORT			NA	2110030211	1

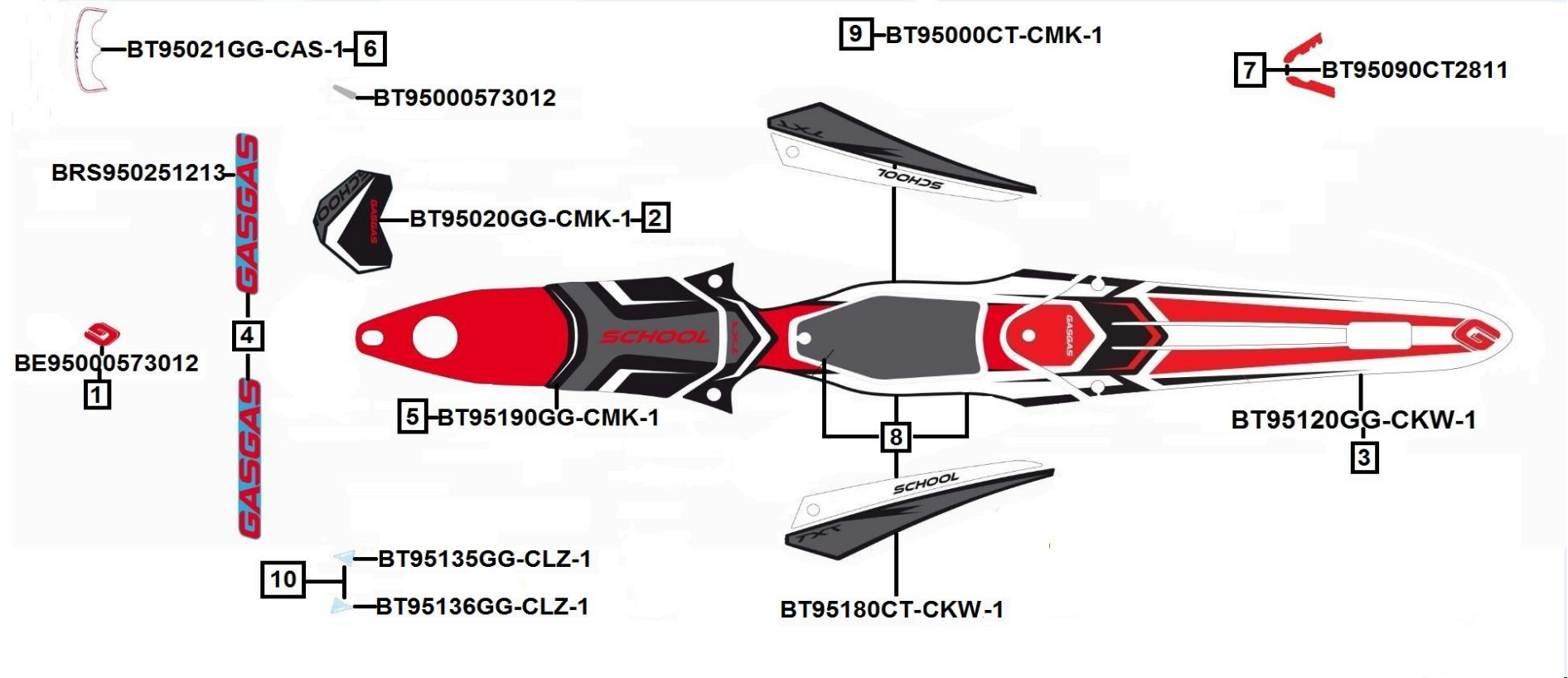


6

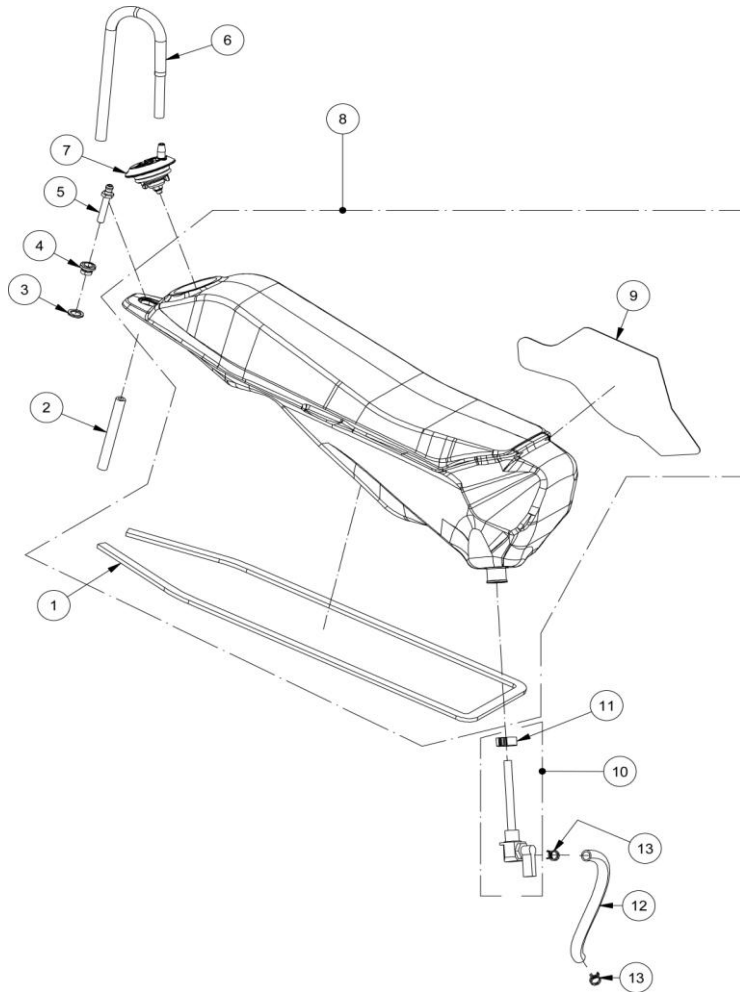
Nº	DESCRIPCION	DESCRIPTION		125	250	280	Cant.
1	ADH. GUARDABARROS DELANTERO	FRONT FENDER DECAL		NA	BE95000573012	BE95000573012	1
2	ADH.FARO RACING	HEADLIGHT RACING DECAL		NA	BT95020GG-CKW-1	BT95020GG-CKW-1	1
3	ADH.GUARDABARROS TRASERO	REAR FENDER DECAL		NA	BT95120GG-CKW-1	BT95120GG-CKW-1	1
4	KIT ADH.SUSPENSION	FRONT SUSPENSION SET DECAL		NA	BRS950251213	BRS950251213	1
5	ADH.DEPOSITO GASOLINA	FUEL TANK DECAL		NA	BT95190CT-CKW-1	BT95190CT-CKW-1	1
6	ADH. CHASIS	FRAME DECAL		NA	BT95154GG-CKW-1	BT95154GG-CKW-1	1
7	CTO.ADH. PROTECTOR CHASIS	FRAME GUARD DECAL		NA	BT95090CT2811	BT95090CT2811	1
8	CTO.ADH.CAJA FILTRO	AIRBOX DECAL		NA	BT95180CT-CKW-1	BT95180CT-CKW-1	1
9	ADH. PROTECTOR ESCAPE	EXHAUST PROTECTOR DECAL		NA	BT95000573012	BT95000573012	1
10	ADH.ASIENTO CILINDRADA LADO DERECHO	ENGINE CAPACITY DECAL (RIGHT)		NA	BT95135GG-CKT-1	BT95135GG-CKS-1	1
10	ADH.ASIENTO CILINDRADA LADO IZQUIERDO	ENGINE CAPACITY DECAL (LEFT)		NA	BT95136GG-CKT-1	BT95136GG-CKS-1	1
11	KIT ADH.COMPLETO	COMPLETE SET		NA	BT95000CT-CKW-1	BT95000CT-CKW-1	1

GASGAS *Chasis 6*

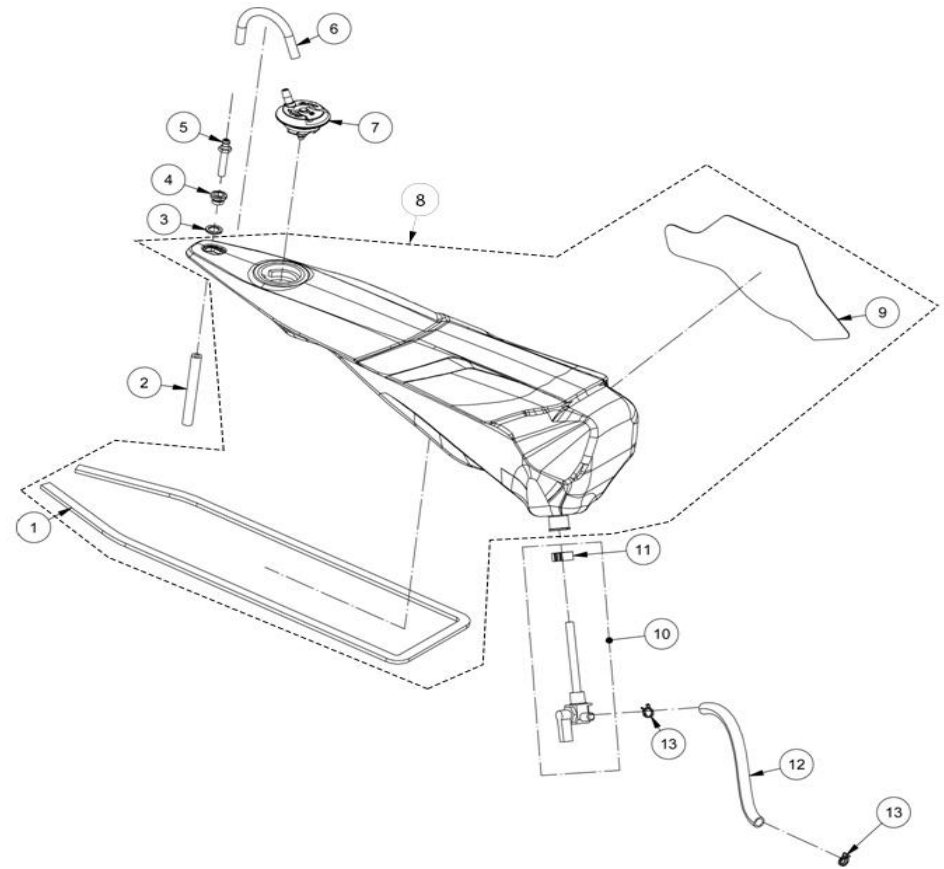
Nº	DESCRIPCION	DESCRIPTION		125	250 / 280	Cant.
1	ADH. GUARDABARROS DELANTERO	FRONT FENDER DECAL		BE95000573012	NA	1
2	ADH.FARO RACING	HEADLIGHT RACING DECAL		BT95020GG-CMK-1	NA	1



3	ADH.GUARDABARROS TRASERO	REAR FENDER DECAL			BT95120GG-CKW-1	NA	1
4	KIT ADH.SUSPENSION	FRONT SUSPENSION SET DECAL			BRS950251213	NA	1
5	ADH.DEPOSITO GASOLINA	FUEL TANK DECAL			BT95190GG-CMK-1	NA	1
6	ADH.FARO HOMOLOGADO	HEADLIGHT HOMOLOGATED DECAL			BT95021GG-CAS-1	NA	1
7	CTO.ADH. PROTECTOR CHASIS	FRAME GUARD DECAL			BT95090CT2811	NA	1
8	CTO.ADH.CAJA FILTRO	AIRBOX DECAL			BT95180CT-CKW-1	NA	1
9	KIT ADH.COMPLETO	COMPLETE SET			BT95000CT-CMK-1	NA	1
10	ADH.ASIENTO CILINDRADA LADO DERECHO	ENGINE CAPACITY DECAL (RIGHT)			BT95135GG-CLZ-1	NA	1
10	ADH.ASIENTO CILINDRADA LADO IZQUIERDO	ENGINE CAPACITY DECAL (LEFT)			BT95136GG-CLZ-1	NA	1
11	ADH. PROTECTOR ESCAPE	EXHAUST PROTECTOR DECAL			BT95000573012	NA	1



CONTACT

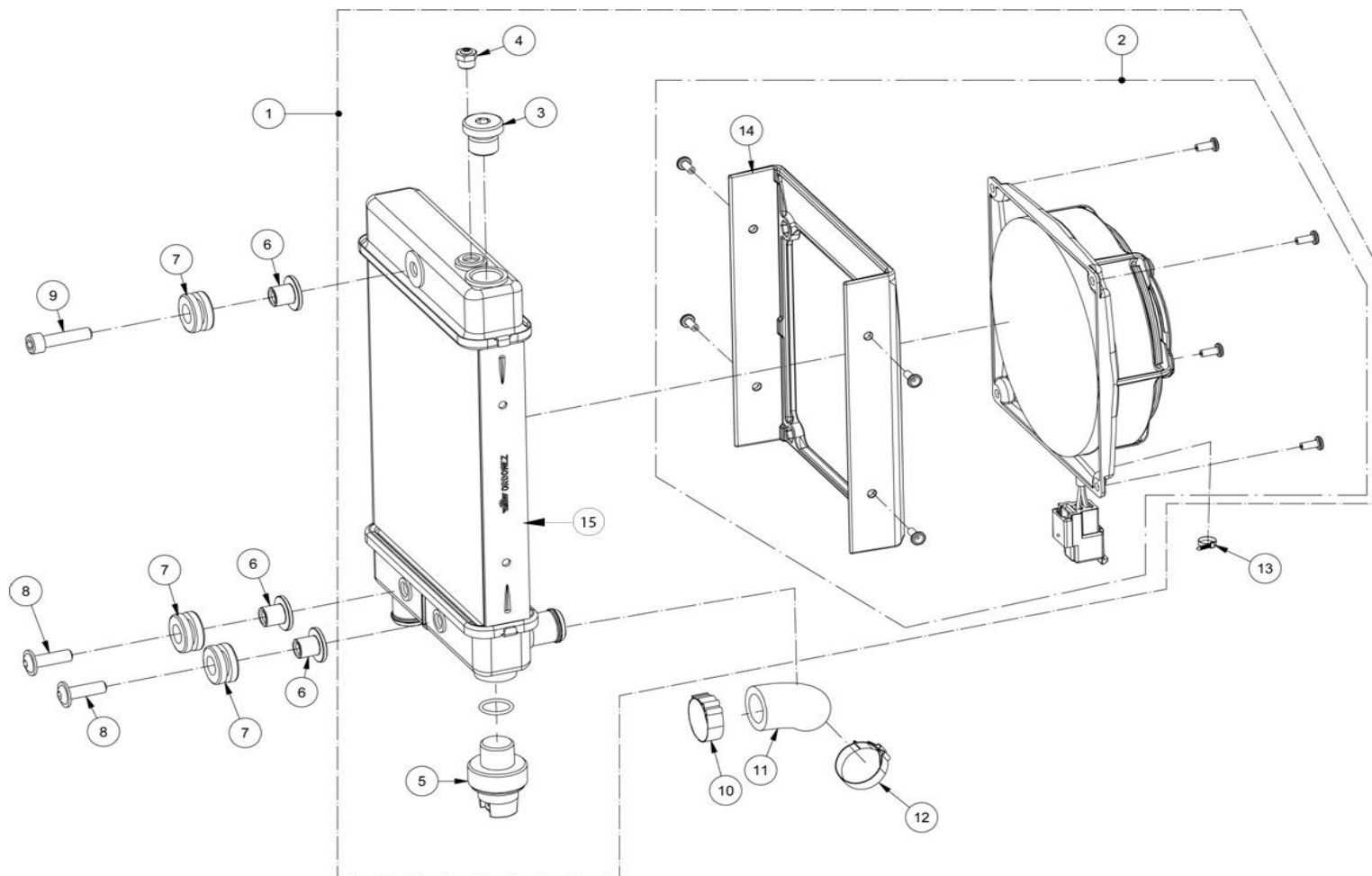


SCHOOL

Nº	DESCRIPCION	DESCRIPTION			125	250 / 280	Cant.
1	GOMA INSONORIZA DEPOSITO GASOLINA 2012	FUEL TANK RUBBER soundproof 2012			BT80000093012	BT80000093012	1
2	TUBO DESVAPORIZADOR TAPON GASOLINA COMPLEMENTARIO	SUPPLEMENTARY FUEL PIPE PLUG fuel vent			BT80000063012	BT80000063012	1
3	ARANDELA DE GOMA Ø14.9 X Ø10 X 1.5	Ø14.9 X Ø10 X 1.5 RUBBER WASHER			BT760953013	BT760953013	1
4	CASQUILLO DEPOSITO TRIAL	FUEL TANK BUSH			BT761053013	BT761053013	1
5	TORNILLO DESVAPORIZADOR	FUEL VENT SCREW			BT80000033012	BT80000033012	1
6	CTO.TUBO DESVAPORIZADOR GASOLINA	FUEL VENT HOSE SET			BT80000073012	BT76015CT-CKW-1	1
7	CTO.TAPON GASOLINA TRIAL	FUEL CAP SET			BT80000053012	BT80000053012	1
8	KIT.DEPOSITO GASOLINA	FUEL TANK SET			BT760013013CTR	BT76000CT-CKW-1	1
9	PROTECTOR TERMICO DEPOSITO GASOLINA	FUEL TANK HEAT SHIELD			BT960303013	BT960303013	1
10	GRIFO GASOLINA	FUEL VALVE			BIT50010031	BIT50010031	1
11	ABRAZADERA COBRA D.17	COBRA CLAMP Ø17			BIT50010033	BIT50010033	1
12	TUBO GASOLINA TRIAL	FUEL TUBE			BT780053013	BT780053013	1
13	ABRAZADERA ELÁSTICA NEGRA ALAMBRE 9.3X9.9 2016055	SPRING CLAMP			L200036	L200036	2

GASGAS

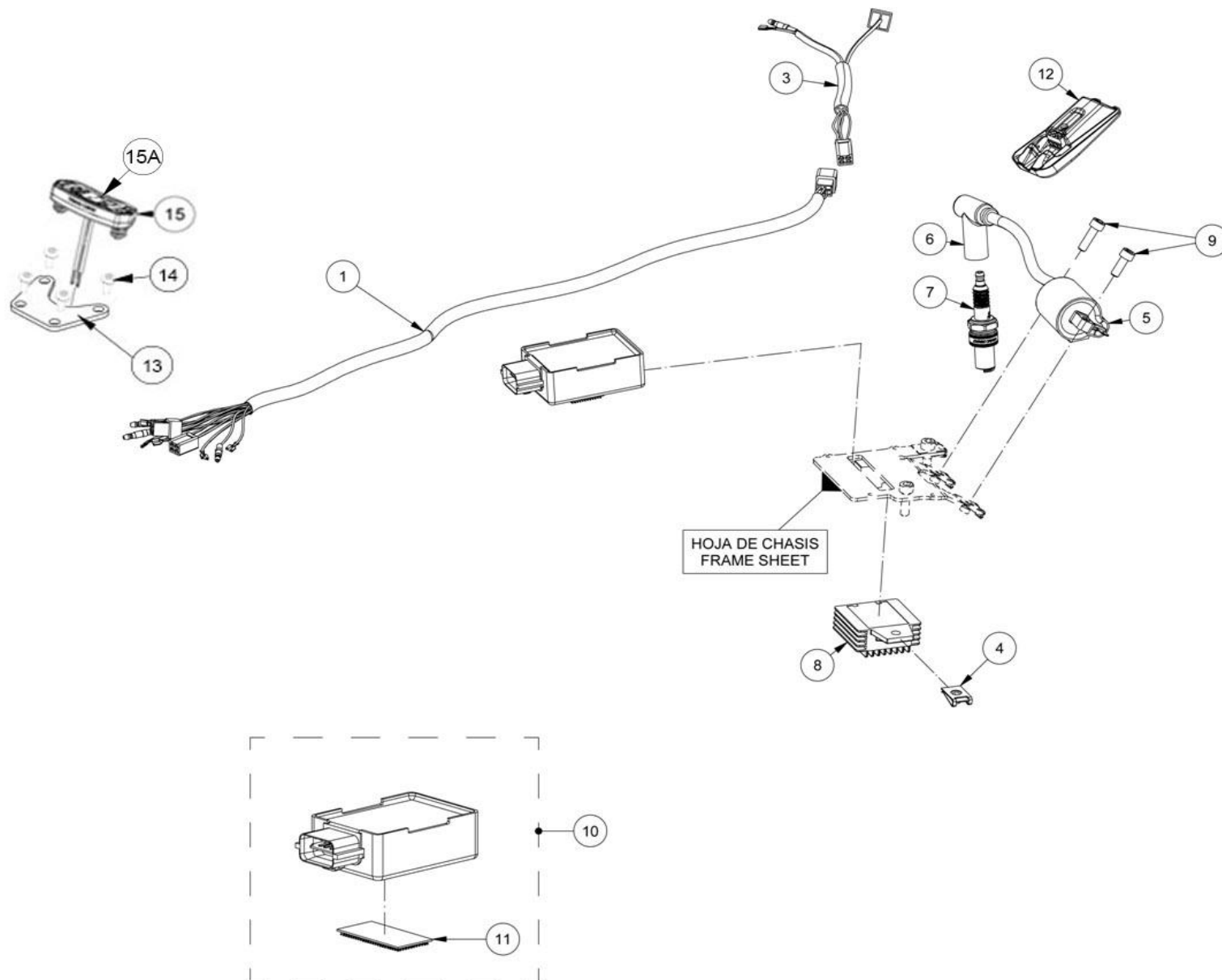
Chasis 7



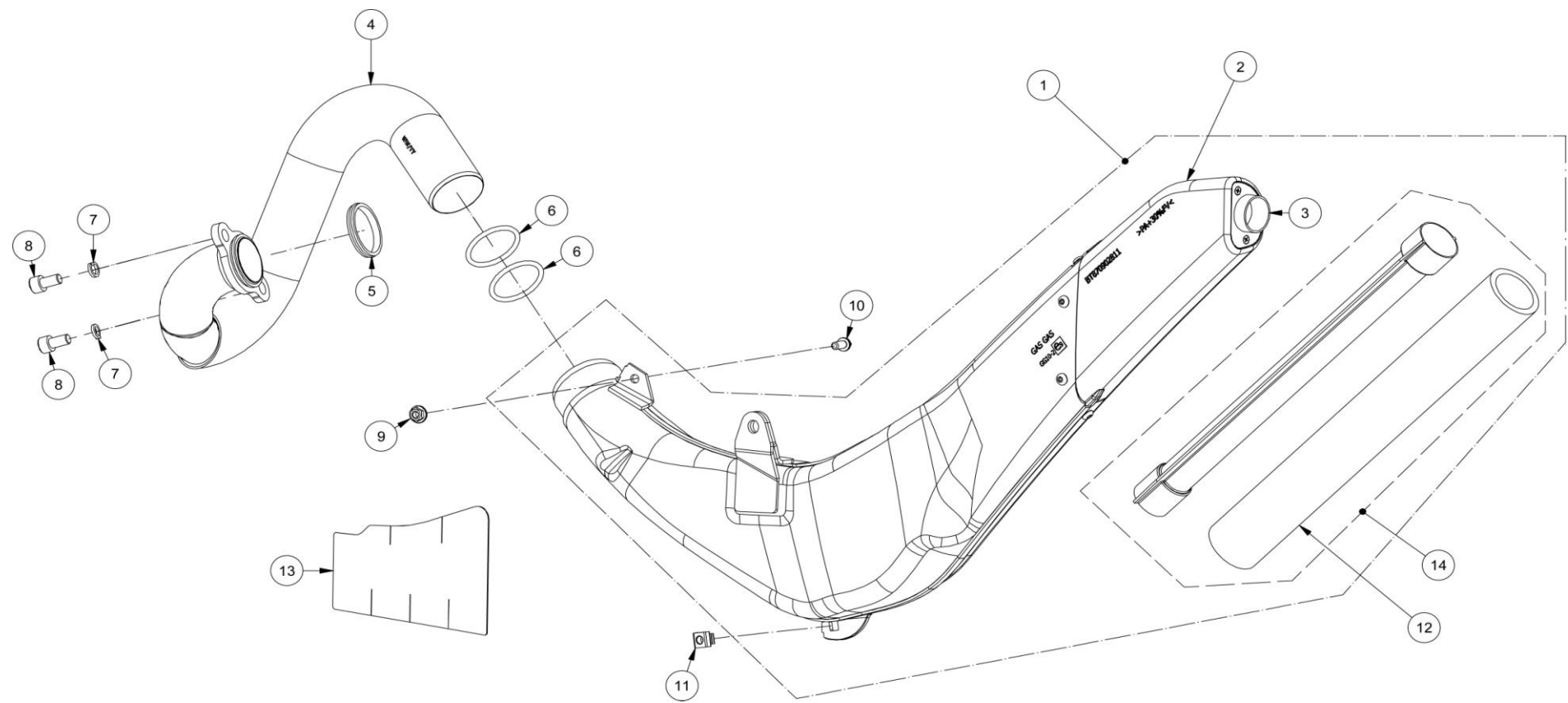
Nº	DESCRIPCION	DESCRIPTION			125	250 / 280	Cant.
1	CONJUNTO RADIADOR	RADIATOR KIT			BT70000CT-CBN-1	BT70000CT-CBN-1	1
2	ELECTROVENTILADOR	ELECTROFAN			BT72000GG-CBN-1	BT72000GG-CBN-1	1
3	TAPON DE LLENADO RADIADOR	RADIATOR CAP			BT701503013	BT701503013	1
4	VALVULA DE PRESION	PRESSURE VALVE			BT701553013	BT701553013	1
5	TERMOCONTACTO	THERMOSWITCH			BT720103013	BT720103013	1
6	CASQUILLO RADIADOR	RADIATOR BUSH			BT700903013	BT700903013	3
7	GOMA SILENTBLOCK	SILENTBLOCK			G220000	G220000	3
8	TORNILLO ULS ALLEN CON ARANDELA M6x25	M6x25 ALLEN SCREW WITH WASHER			T0556020	T0556020	2
9	TORNILLO ALLEN M6x30	M6x30 ALLEN SCREW			T0306030	T0306030	1
10	ABRAZADERA COBRE DE 23	COBRA CLAMP Ø23			L200041	L200041	1
11	TUBO RADIADOR A CULATA	RADIATOR TO HEAD CYLINDER HOSE			BT710503013	BT710503013	1
12	ABRAZADERA COBRA DE 22	COBRA CLAMP Ø22			L200038	L200038	1
13	BRIDA UNEX CORTA 2.5X98	UNEX CALMP			BE25634010	BE25634010	1
14	CARCASA ADAPTADOR	ADAPTER HOUSING			BT72020GG-CBN-1	BT72020GG-CBN-1	1
15	RADIADOR SIN VENT. TRIAL RACING 2013	TRIAL RACING WITHOUT FAN RADIATOR 2013			BT700003013	BT700003013	1

GASGAS

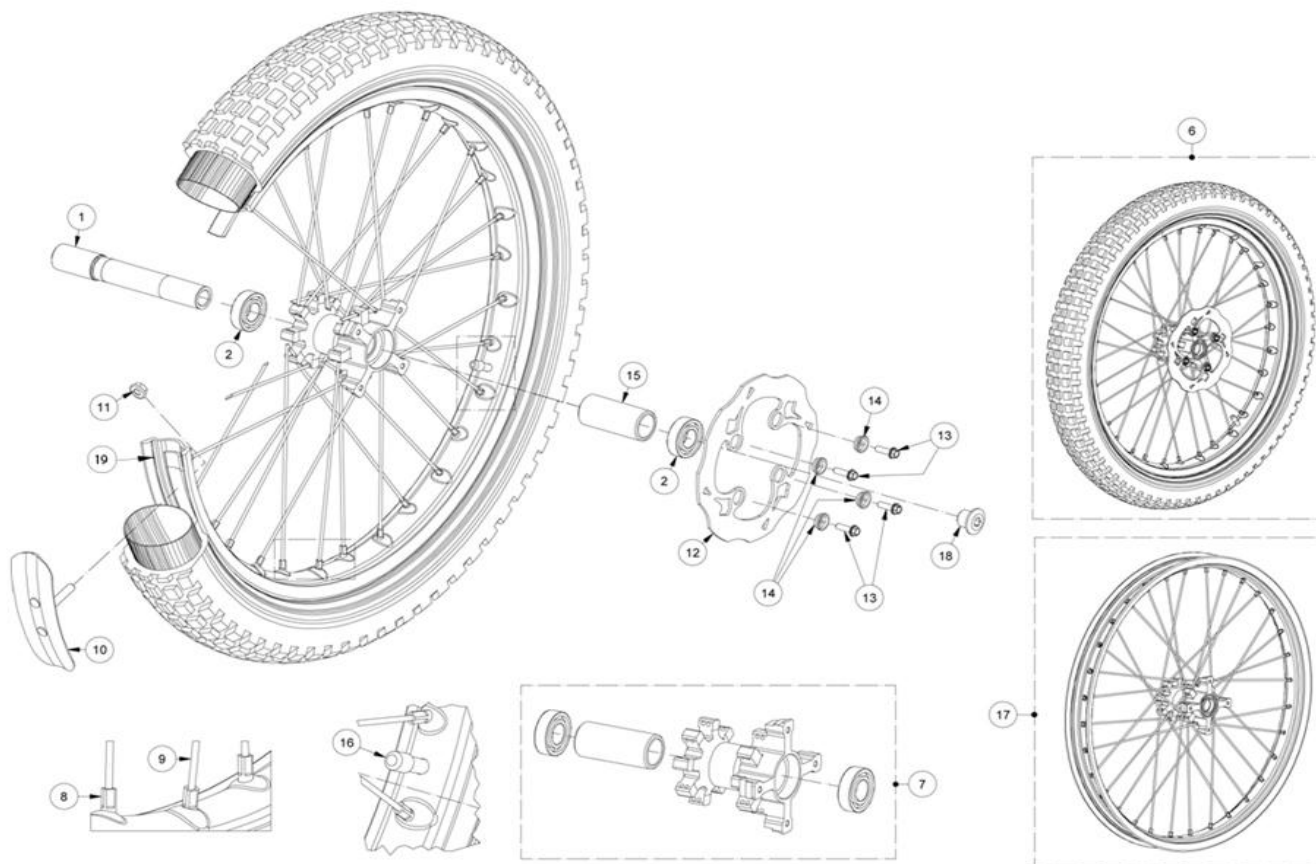
Chasis 8



Nº	DESCRIPCION	DESCRIPTION	125	250	280	Cant.
1	INSTALACIÓN ELECTRICA TXT CONTACT	TXT CONTACT ELECTRIC INSTALLATION	ET10000GG-CBN-1	ET10000GG-CKW-1	ET10000GG-CKW-1	1
3	ALARGO INSTALACION PILOTO TRASERO	REAR LIGHT EXTENSION INSTALLATION	ET300102808	ET300102808	ET300102808	1
4	TUERCA NUT 956 RAPIDA M6	M6 CHIMNEY NUT	T2606000	T2606000	T2606000	1
5	BOBINA	IGNITION COIL	ET500003013	ET500003013	ET500003013	1
6	PIPA BUJÍA IB05EMH	IB05EMH SPARK PLUG	BE25934000	BE25934000	BE25934000	1
7	BUJÍA BPR5ES	BPR5ES SPARK	M04012000	M04012000	M04012000	1
8	REGULADOR ALTERNADOR	ALTERNATOR REGULATOR	EE51200GG-CAB-1	EE51200GG-CAB-1	EE51200GG-CAB-1	1
9	ALLEN 6X20	ALLEN 6X20 BOLT	T0306020	T0306020	T0306020	2
10	CDI DIGITAL	DIGITAL CDI	ET51100CT-CKD-1	ET51100CT-CKV-1	ET51100CT-CKW-1	1
11	CINTA DE CIERRE ADHESIVA	LOCKING ADHESIVE TAPE	BT51120GG-CBN-1	BT51120GG-CBN-1	BT51120GG-CBN-1	1
12	FARO PILOTO TRIAL	TRIAL REAR LIGHT SET	ET30000CT2811	ET30000CT2811	ET30000CT2811	1
13	SOPORTE MULTIFUNCION TRIAL 2017	MULTIFUNCTION TRIAL SUPPORT 2017	NA	BT22265GG-CJT-1	BT22265GG-CJT-1	1
14	TORNILLO ALLEN ULS M5x12	ALLEN BOLT ULS M5x12	NA	T0505012	T0505012	4
15	MULTIFUNCION TRIAL 2017 (km)	MULTIFUNCTION TRIAL 2017 (km)	NA	BT22265GG-CJT-1	BT22265GG-CJT-1	1
15A	MULTIFUNCION TRIAL 2017 (Millas)	MULTIFUNCTION TRIAL 2017 (Millas)	NA	BT22265GG-CJT-1	BT22265GG-CJT-1	1



Nº	DESCRIPCION	DESCRIPTION			125	250 / 280	Cant.
1	CTO. ESCAPE INTERM. Y FINAL	EXHAUST SET			BT860002811	BT860002811	1
2	CAZOLETA SILENCIOSO FINAL	FINAL EXHAUST COVER			BT870802811	BT870802811	1
3	SALIDA INOX FINAL ESCAPE	INOPX END EXHAUST			BT870803013	BT870803013	1
4	CURVA ESCAPE TRIAL	TRIAL BEND EXHAUST			BT850003013	BT850003013	1
5	JUNTA ESCAPE S4 105	EXHAUST GASKET			MT280244012	MT280244012	1
6	TÓRICA SILENCIOSO INTERMEDIO 44,05X3,53	O'RING INT. SILENCER			C290000	C290000	2
7	ARANDELA GROVER 8X12X2	GROVER WASHER			T4008314	T4008314	2
8	TORNILLO ALLEN M6X16	M6X6 ALLEN SCREW			T0308016	T0308016	2
9	TUERCA CON ARAND. ESTRIADA M6	M6 NUT WITH WASHER			T2206000	T2206000	1
10	TORNILLO HEXAGONAL CON ARANDELA M6X14	6X14 HEX. WITH WASHER SCREW			T0206014	T0206014	1
11	TUERCA ENJAULADA M6	M6 STANDARD CAGE NUT			T2006010	T2006010	1
12	FIBRA ANTICALORICA	HEATPROOF FIBER			BT85000003011	BT85000003011	1
13	PROTECTOR CALORICO	HEATPROOF GUARD ADHESIVE			BT96030GG-CBN-1	BT96030GG-CBN-1	1
14	TUBO INTERNO CON FIBRA	INNER TUBE WITH FIBER			BT870802511	BT870802511	1

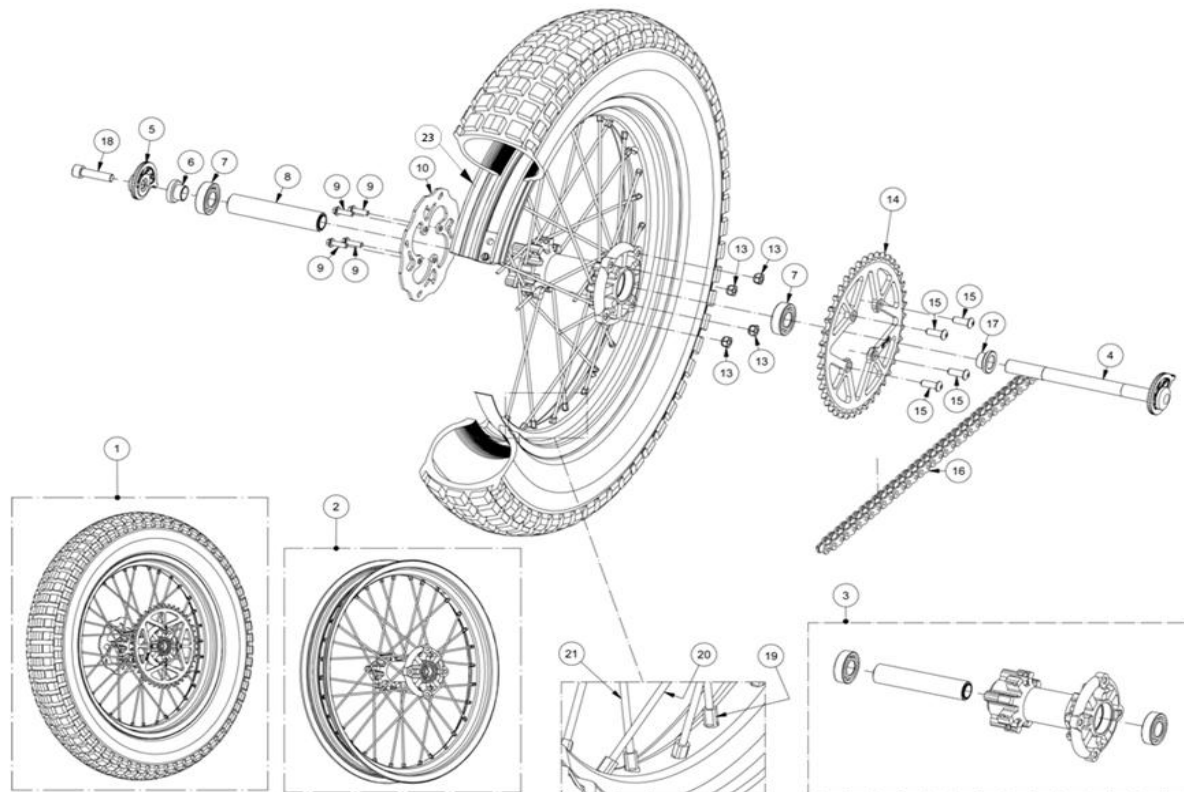


Nº	DESCRIPCION	DESCRIPTION			125	250 / 280	Cant.
1	EJE RUEDA DELANTERA	FRONT WHEEL AXLE			BT53000GG-CDD-1	BT53000GG-CDD-1	1
2	COJINETE	BEARING			C160001	C160001	2
6	CONJUNTO. RUEDA	WHEEL KIT			BT50001CT-CKW-1	BT50001CT-CKW-1	1
7	CTO. CUBO RUEDA DELANTERA TRIAL	FRONT HUB WHEEL KIT			BT54110CT-CDD-1	BT54110CT-CDD-1	1
8	TUERCA RADIOS 3MM. RUEDA DELANTERA DIA. 6.5	SPOKE NUT			BT27718001/2	BT27718001/2	32
9	RADIO 3X257 RUEDA DELANTERA TRIAL NEGRO	BLACK FRONT WHEEL SPOKE			BT54200N2809	BT54200N2809	32
10	AGARRE CUBIERTA	TYRE CLAMP			BE505002509	BE505002509	1
11	TUERCA CON ARANDELA ESTRIADA M8 ZINCADA	NUT WITH WASHER			T2208001	T2208001	1
12	DISCO FRENO DELANTERO	FRONT BRAKE DISK			BT52000GG-CGS-1	BT52000GG-CGS-1	1
13	HEXAGONAL M8 CON ARANDELA	M8 HEXAGONAL SCREW WITH WASHER			T0206020	T0206020	4
14	DISTANCIADOR DISCO FLOTANTE	WASHER FLOATING DISC			BT27918019	BT27918019	4
15	CASQUILLO INTERIOR BUJE	BUSHING			BT54115GG-CDD-1	BT54115GG-CDD-1	1
16	KIT TAPONES SILICONA VALVULA TRIAL ROJO	VALVE RED SILICONE CAP KIT			BT53500R3009	BT53500R3009	1
17	CONJUNTO LLANTA	RIM SET			BRT500118006	BRT500118006	1
18	TORNILLO EJE DELANTERO	FRONT AXLE SCREW			BT53010R3009	BT53010R3009	1
19	LLANTA NG. RACING DELANTERA 2012	RACING FRONT RIM 2012				BT50000003012	1

**Rueda trasera /
Rear wheel**

GASGAS

**CONTACT 2017 / 2018
SCHOOL 2017 / 2018**

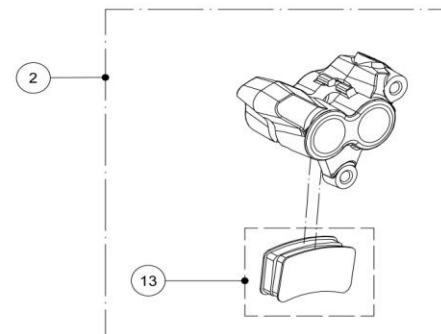
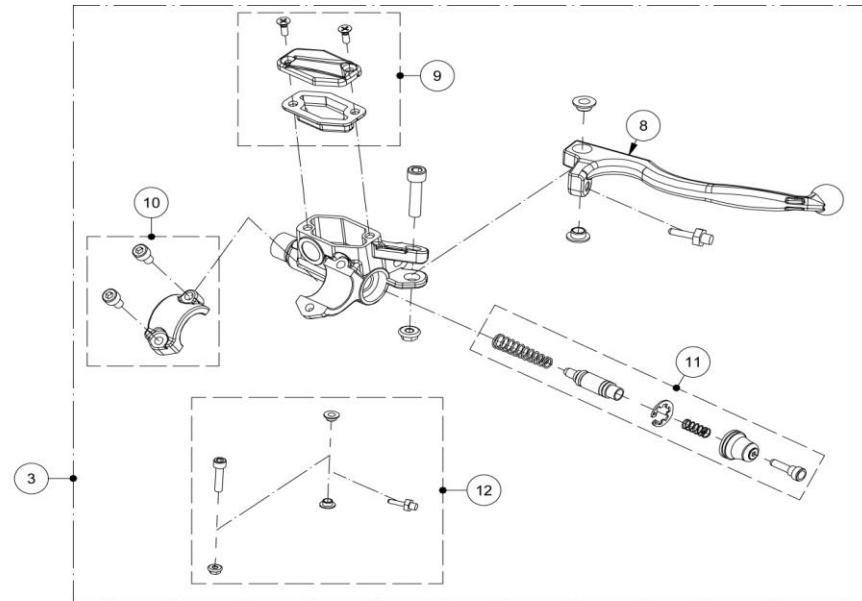
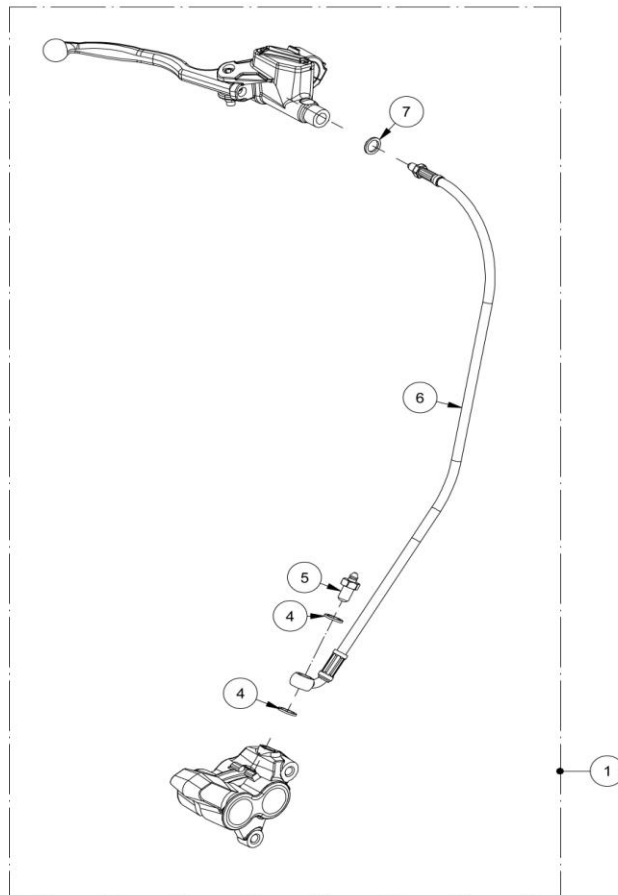


Nº	DESCRIPCION	DESCRIPTION			125	250 / 280	Cant.
1	RUEDA TRASERA TRIAL	TRIAL REAR WHEEL			BT55000CT-CMK-1	BT55001CT-CKW-1	1
2	CTO. LLANTA TRASERA RADIADA	REAR RIM KIT			BT59000CT2808	BT59000CT2808	1
3	CUBO RUEDA TRASERA	REAR WHEEL HUB			BT59100CT-CDD-1	BT59100CT-CDD-1	1
4	EJE RUEDA TRASERA + TENSOR	REAR WHEEL AXLE + ECCENTRIC			BT280718020CT	BT280718020CT	1
5	EXCÉNTRICA TRASERA LADO DISCO	REAR ECCENTRIC DISC SIDE			BT280718022L	BT280718022L	1
6	DISTANCIADOR RUEDA TRASERA 7.5MM	REAR SPACER WHEEL			BT58100R3009	BT58100R3009	1
7	COJINETE 6004	BEARING			C160001	C160001	2
8	CASQUILLO SEPARADOR 390.80.221	BUSHING			BT280218052	BT280218052	1
9	TORNILLO 6X18	6X18 SCREW			T0206020	T0206020	4
10	DISCO FRENO TRASERO TRIAL	REAR BRAKE DISK			BT57000GG-CGS-1	BT57000GG-CGS-1	1
13	TUERCA AUTOBLOCANTE M8 BAJA	LOW SELF-LOCK NUT			T2108001	T2108001	4
14	CORONA Z42	SPROCKET Z42			NA	BT573003010	1
14b	CORONA Z48	SPROCKET Z48			BT57300GG-CJG-1	NA	1
15	ULS 8X20 PLAT. PROT.	8X20 ULS			T0568022	T0568022	4
16	CADENA TRIAL	TRIAL CHAIN			BT57800GG-CJJ-1	BT57800GG-CJJ-1	1
17	DISTANCIADOR RUEDA TRAS.LADO CORONA	CROWN SIDE REAR WHEEL SPACER			BT55000013012	BT55000013012	1
18	TORNILLO EJE RUEDA TRASERA	REAR WHEEL AXLE BOLT			BT280718023	BT280718023	1
19	TENSOR RADIO	SPOKE NUT			BT27718016	BT27718016	32
20	RADIO IZQ RUEDA TRASERA ZINCADO PLATA	REAR LEFT SPOKE			BRT500118014	BRT500118014	16
21	RADIO DER RUEDA TRASERA ZINCADO PLATA	REAR RIGHT SPOKE			BRT500118015	BRT500118015	16
23	LLANTA NG. RACING TRASERA. 2012	RACING REAR RIM 2012			BT55000033012	BT55000033012	1

**Freno delantero/
Front brake**

GASGAS

**CONTACT 2017 / 2018
SCHOOL 2017 / 2018**



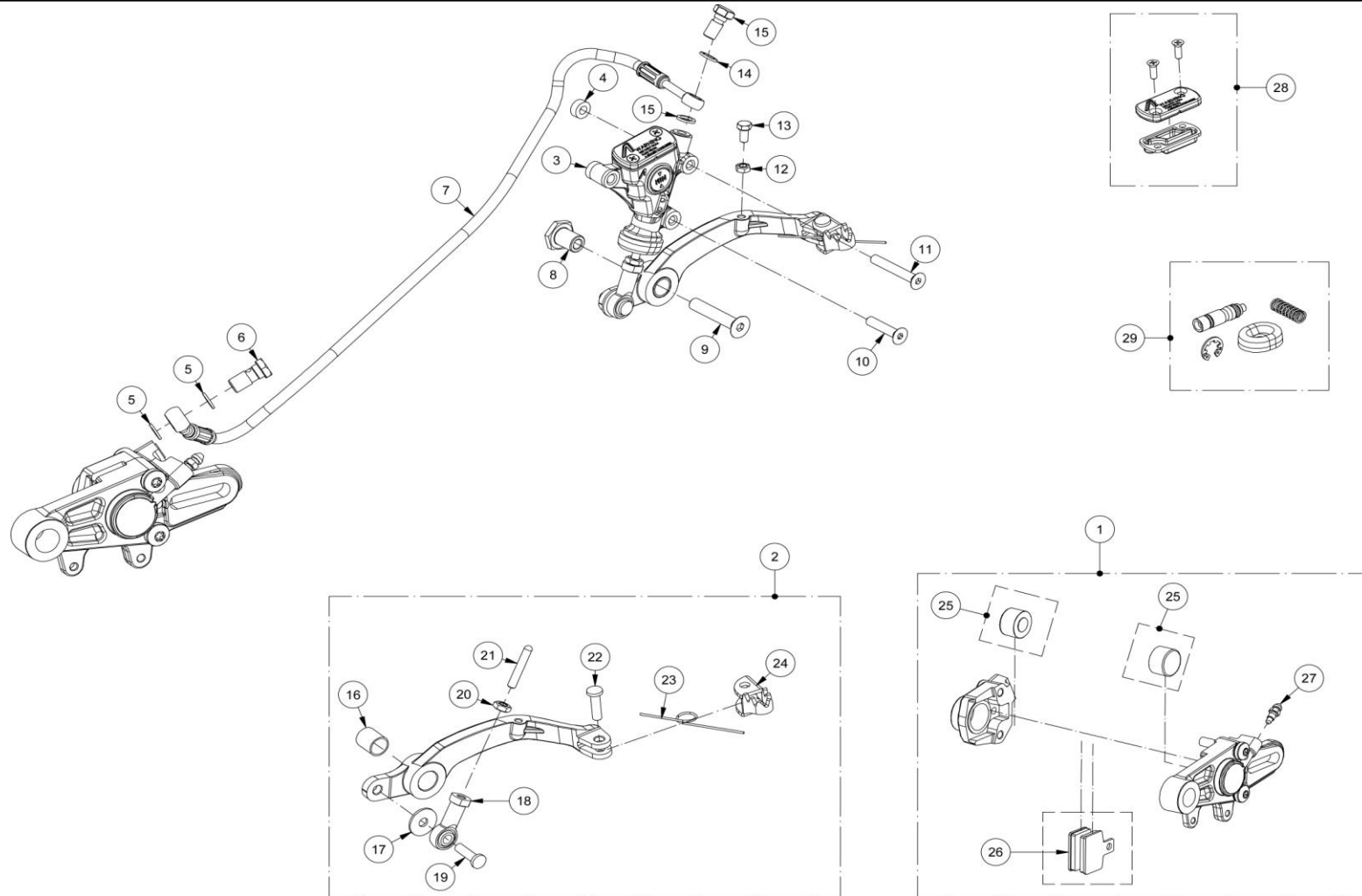
13

Nº	DESCRIPCION	DESCRIPTION			125	250 / 280	Cant.
1	CTO. FRENO DELANTERO	FRONT BRAKE SET			BT60000CT-CJJ-1	BT60000CT-CJJ-1	1
2	PINZA FRENO DELANTERO	FRONT CALIPER			BT62000CT-CGA-1	BT62000CT-CGA-1	1
3	CTO. BOMBA FRENO DELANTERO	FRONT PUMP SET			BT61000CT-CGA-1	BT61000CT-CGA-1	1
4	ARANDELA PLANA COBRE 10.25X14X1.4	10.25X14X1.4 WASHER			BT280522007	BT280522007	2
5	SANGRADOR FRENO DELANTERO D8	HOSE SCREW			BT612002811	BT612002811	1
6	LATIGUILLO FRENO DELANTERO	FRONT BRAKE TUBE			BT611003013	BT611003013	1
7	ARANDELA (10x14x1,5)	10x14x1,5 WASHER			BT280522007	BT280522007	1
8	LEVA FRENO	BRAKE LEVER			R390002PL	R390002PL	1
9	KIT TAPA BOMBA	PUMP COVER KIT			BT61010CT-CAS-1	BT61010CT-CAS-1	1
10	KIT BRIDA MANILLAR	HANDLEBAR CLAMP KIT			BT61350GG-CAS-1	BT61350GG-CAS-1	1
11	KIT REPARACION BOMBA	PUMP REPAIR KIT			BT613023013	BT613023013	1
12	KIT AJUSTE LEVA	ADJUST LEVER KIT			BT614003013	BT614003013	1
13	JUEGO PASTILLAS FRENO	BRAKE PADS KIT			BT280222065	BT280222065	1

**Freno trasero/
Rear brake**

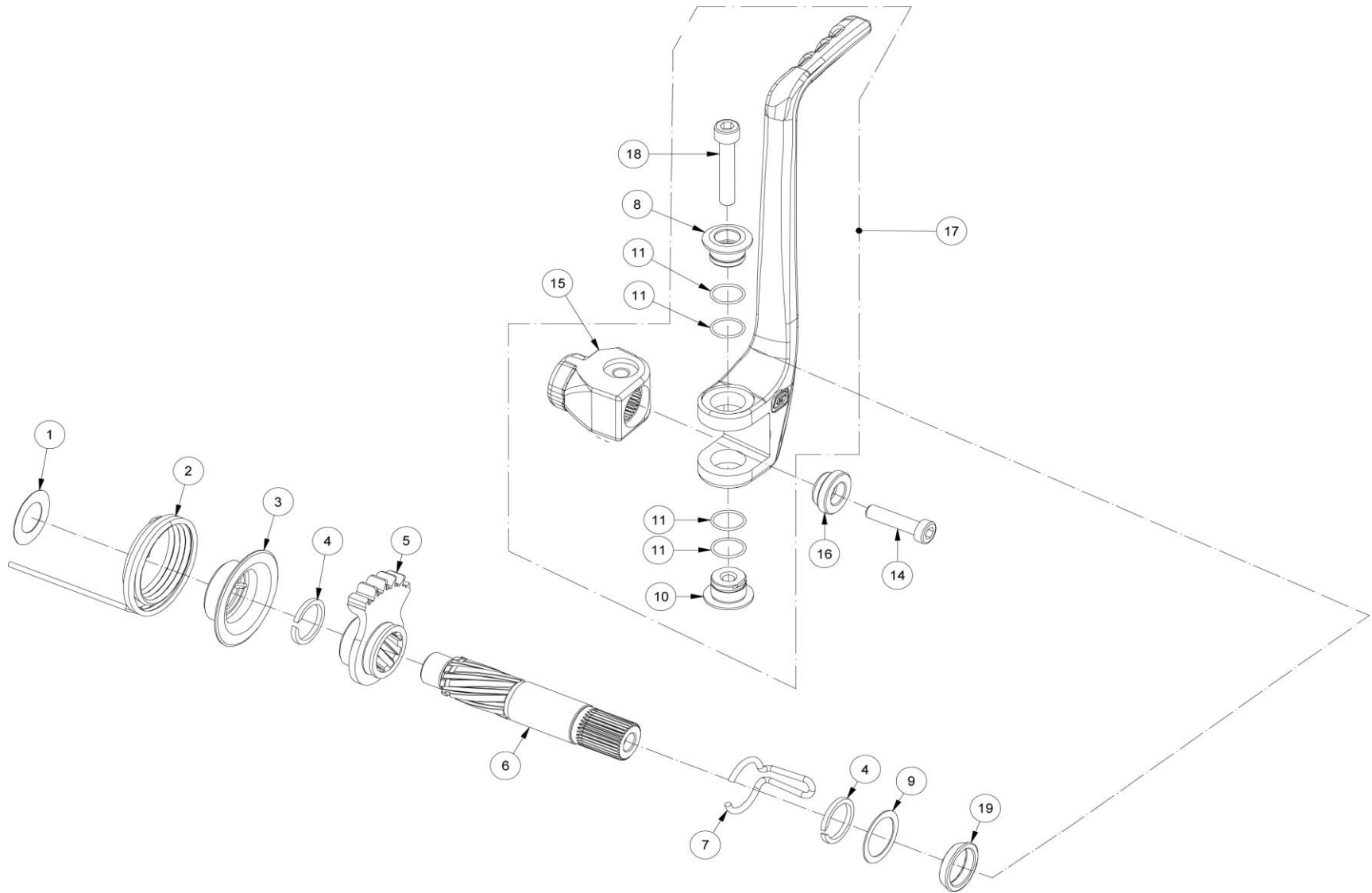
GASGAS

**CONTACT 2017 / 2018
SCHOOL 2017 / 2018**



14

Nº	DESCRIPCION	DESCRIPTION			125	250 / 280	Cant.
1	PINZA FRENO TRASERA	REAR CALIPER			BT67000GG-CGA-1	BT67000GG-CGA-1	1
2	CONJUNTO PEDAL FRENO	BRAKE PEDAL SET			BT13000CT2809	BT13000CT2809	1
3	BOMBA FRENO TRASERO	REAR PUMP BRAKE			BT660002811	BT660002811	1
4	SEPARADOR TERMICO BOMBA - ESCAPE	THERMAL SPACER			BT280226240	BT280226240	1
5	ARANDELA (10x14x1,5)	10x14x1,5 WASHER			BT280522007	BT280522007	2
6	RACOR LATIGUILLO FRENO TRAS (PINZA)	HOSE FITTING (CALIPER)			BT280522006	BT280522006	1
7	LATIGUILLO FRENO TRAS	HOSE			BT66100CT-CJD-1	BT66100CT-CJD-1	1
8	CASQUILLO	BUSH			BT280610302	BT280610302	1
9	TORNILLO CONICO ALLEN M8X45	M8X45 ALLEN TAPERED SCREW			T0408045	T0408045	1
10	TORNILLO CONICO ALLEN M6X30	M6X30 ALLEN TAPERED SCREW			T0406030I	T0406030I	1
11	TORNILLO CONICO ALLEN M6X43	M6X43 ALLEN TAPERED SCREW			T0406043I	T0406043I	1
12	CONTRATUERCA TOPE	STOPPER NUT			T2005000	T2005000	1
13	TORNILLO TOPE PEDAL	PEDAL STOP SCREW			T0105015	T0105015	1
14	ARANDELA 8x12x1,5	8x12x1,5 WASHER			BT662102811	BT662102811	2
15	RACOR M8 LATIGUILLO FRENO TRAS (BOMBA)	M8 HOSE FITTING (PUMP)			BT662002811	BT662002811	1
16	CASQUILLO ANTIFRICCION	ANTIFRICTION BUSH			C200101	C200101	1
17	ARANDELA	WASHER			T4006020	T4006020	1
18	ROTULA PEDAL FRENO	BALL JOINT BRAKE PEDAL			BT280222053	BT280222053	1
19	EJE	AXLE			BE25622018	BE25622018	1
20	TUERCA VARILLA FRENO	BRAKE ROD NUT			T2006001	T2006001	1
21	VARILLA FRENO TRASERO	REAR BRAKE ROD			BT280222062	BT280222062	1
22	REMACHE PUNTERA FRENO	BRAKE RIVET TOE			BE25922018	BE25922018	1
23	MUELLE PUNTERA FRENO	BRAKE SPRING TOE			ME25636029	ME25636029	1
24	PUNERA PEDAL FRENO TRAS RETRACTIL	BRAKE PEDAL TOE			BT27922017	BT27922017	1
25	KIT REPARA PISTON PINZA TRIAL TRAS AUTOPORTANTE	REPAIR KIT AUTOSTAND			BT280222202	BT280222202	2
26	JUEGO PASTILLAS FRENO TRASERO	REAR BRAKE PADS SET			BT280222068	BT280222068	1
27	SANGRADOR	BLEEDER			BE25622060	BE25622060	1
28	KIT TAPA BOMBA TRASERA	REAR PUMP COVER SET			BT660052811	BT660052811	1
29	KIT REPARACION BOMBA TRASERA	REAR PUMP REPAIR SET			BT280222220	BT280222220	1



Nº	DESCRIPCION	DESCRIPTION			125	250 / 280	Cant.
1	ARANDELA 14X25X0,5 / 14X25X0,5 WASHER	14X25X0,5 WASHER			T4001425	T4001425	1
2	MUELLE ARRANQUE TRIAL	PEDAL KICKSTART SPRING			MT280226007	MT280226007	1
3	CENTRADOR MUELLE ARRANQUE	KICKSTART SPRING BUSHING			MT280226053	MT280226053	1
4	CIRCLIP EJE 18 MM	AXIS CIRCLIP			MT280226017	MT280226017	2
5	PIÑÓN ARRANQUE TRIAL 2002	KICKSTART GEAR			MT280226002	MT280226002	1
6	EJE ARRANQUE TRIAL	KICKSTARTER SHAFT			MT890102811	MT890102811	1
7	MUELLE FRICCIÓN ARRANQUE	FRICTION KICKSTART SPRING			MT280226006	MT280226006	1
8	CASQUILLO PEDAL ARRANQUE	KICKSTART PEDAL BUSHING			MT280226066	MT280226066	1
9	ARANDELA 18,2X24X0,5	18,2X24X0,5 WASHER			T4001824	T4001824	1
10	TUERCA PEDAL ARRANQUE	KICKSTART PEDAL NUT			MT89025GG-CBN-1	MT89025GG-CBN-1	1
11	TÓRICA NBR 12X1	NBR O'RING			MT280226063	MT280226063	4
12	BOLA MUÑEQUILLA PEDAL	KICKSTART PEDAL BALL			ME250036062	ME250036062	1
13	MUELLE MUÑEQUILLA PEDAL	KICKSTART PEDAL SPRING			ME250036066	ME250036066	1
14	TORNILLO UFK M6X25	M6X25 UFK SCREW			T0316025	T0316025	1
15	MUÑEQUILLA PEDAL ARRANQUE	KICKSTART PEDAL BASE			MT89015GG-CBN-1	MT89015GG-CBN-1	1
16	CASQUILLO SUJECIÓN PEDAL	KICKSTART PEDAL BUSHING			MT280226068	MT280226068	1
17	CTO. PEDAL ARRANQUE	KICKSTART PEDAL KIT			MT89000CT-CBN-1	MT89000CT-CBN-1	1
18	ALLEN M6X35	M6X35 ALLEN BOLT			T0306035	T0306035	1
19	CASQUILLO POSICIONADOR PEDAL EN EJE DE ARRANQUE	POSITIONING BUSH			MT86500GG-CBN-1	MT86500GG-CBN-1	1

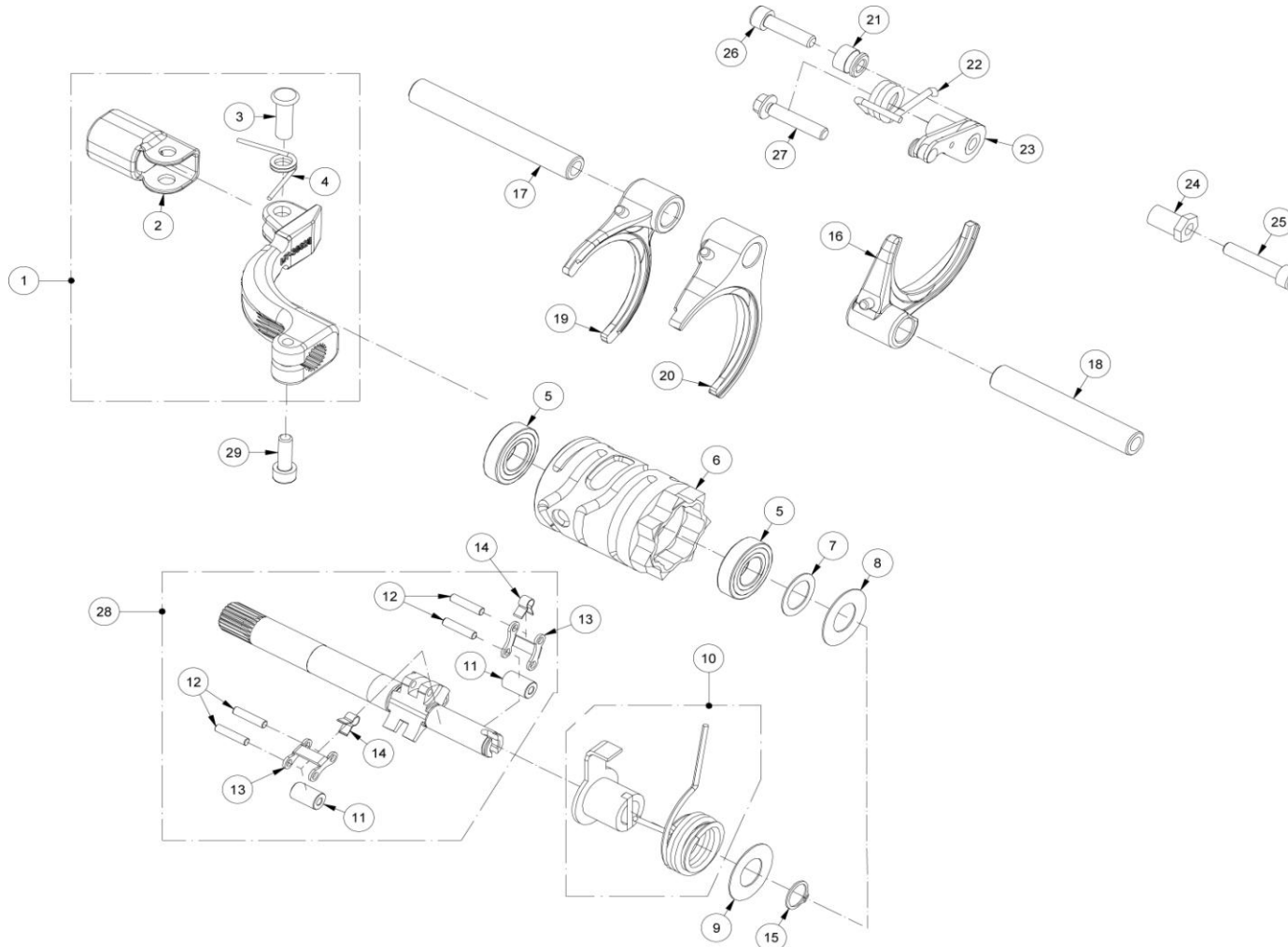
GASGAS

Motor 1

**Selector de cambio /
Shift cam**

GASGAS

**CONTACT 2017 / 2018
SCHOOL 2017 / 2018**

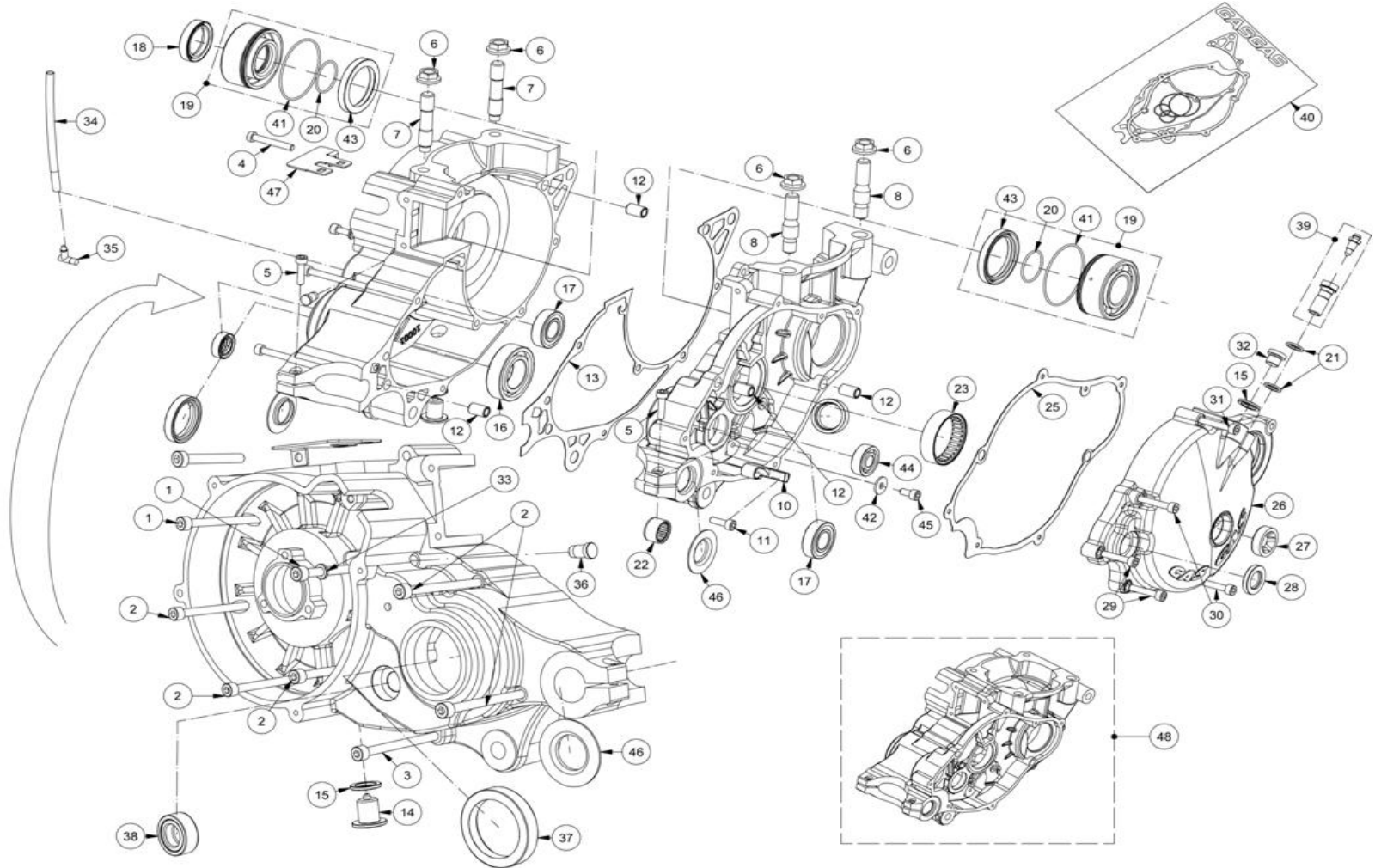


2

Nº	DESCRIPCION	DESCRIPTION			125	250 / 280	Cant.
1	CTO. PEDAL CAMBIO	GEAR PEDAL KIT			MT280238026	MT280238026	1
2	PUNTERA PEDAL CAMBIO	GEAR PEDAL END			ME25636027	ME25636027	1
3	REMACHE PUNTERA CAMBIO	RIVOT PEDAL END			ME25636030	ME25636030	1
4	MUELLE PUNTERA PEDAL CAMBIO	PEDAL END SPRING			M121000	M121000	1
5	COJINETE 12X24X6 2Z DESMO	12X24X6 2Z DESMO BEARING			MT280238032	MT280238032	2
6	DESMODRÓMICO	SHIFT DRUM			MT280238031	MT280238031	1
7	ARANDELA 12,2X18X0,5	12,2X18X0,5 WASHER			T4001218	T4001218	1
8	ARANDELA 12,2X24X0,5	12,2X24X0,5 WASHER			T4001224	T4001224	1
9	ARANDELA 10,2X24X0,5	10,2X24X0,5 WASHER			T4011024	T4011024	2
10	POSICIONADOR Y MUELLE EJE SELECTOR	SHIFT SHAFT CENTER LOCATOR AND SPRING			MT280238037CT	MT280238037CT	1
11	RODILLO TRINQUETE SELECTOR	RATCHET ROLLER			MT280238040	MT280238040	2
12	AGUJA 3X13,8	3X13,8 NEEDLE			MT280238048	MT280238048	4
13	TRINQUETE SELECTOR	RATCHET ARM SELECTOR			MT280238036	MT280238036	2
14	MUELLE TRINQUETE SELECTOR	RATCHET SEL. SPRING			MT280238039	MT280238039	2
15	CIRCLIP E10 EJE	E10 SHAFT CIRCLIP			M03314011	M03314011	1
16	HORQUILLA PRIMARIA	SHIFT FORK PRIMARY			MT280238009	MT280238009	1
17	EJE HORQUILLA LARGO	LONG FORK SHAFT			MT280238044	MT280238044	1
18	EJE HORQUILLA CORTO	SHORT FORK SHAFT			MT280238045	MT280238045	1
19	HORQUILLA 2-4-5-6	2-4-5-6 FORK			MT280238007	MT280238007	1
20	HORQUILLA 1-3	1-3 FORK			MT280238008	MT280238008	1
21	TOPE MUELLE FIJADOR	SPRING REST POST			MT280238049	MT280238049	1
22	MUELLE FIJADOR MARCHAS	GEAR SELECTOR SPRING			MT280238034	MT280238034	1
23	FIJADOR MARCHAS	GEAR SELECTOR ARM AND ROLLER			MT280238033	MT280238033	1
24	TOPE MUELLE EJE SELECTOR	SELECTOR SPRING TOP SHAFT			MT280238050	MT280238050	1
25	ALLEN 5X25 DACROMET	5X25 DACROMET ALLEN BOLT			T0305025	T0305025	1
26	ALLEN 5X20	5X20 ALLEN			T0305020	T0305020	1
27	HEXAGONAL 5X25 CON ARANDELA	HEXAGONAL BOLT WITH WASHER			BT280010086	BT280010086	1
28	CONJUNTO EJE SELCTOR	SHIFT SHAFT SET			MT280238043	MT280238043	1
29	ALLEN 5X15	5X15 ALLEN			T0305016	T0305016	1

GASGAS

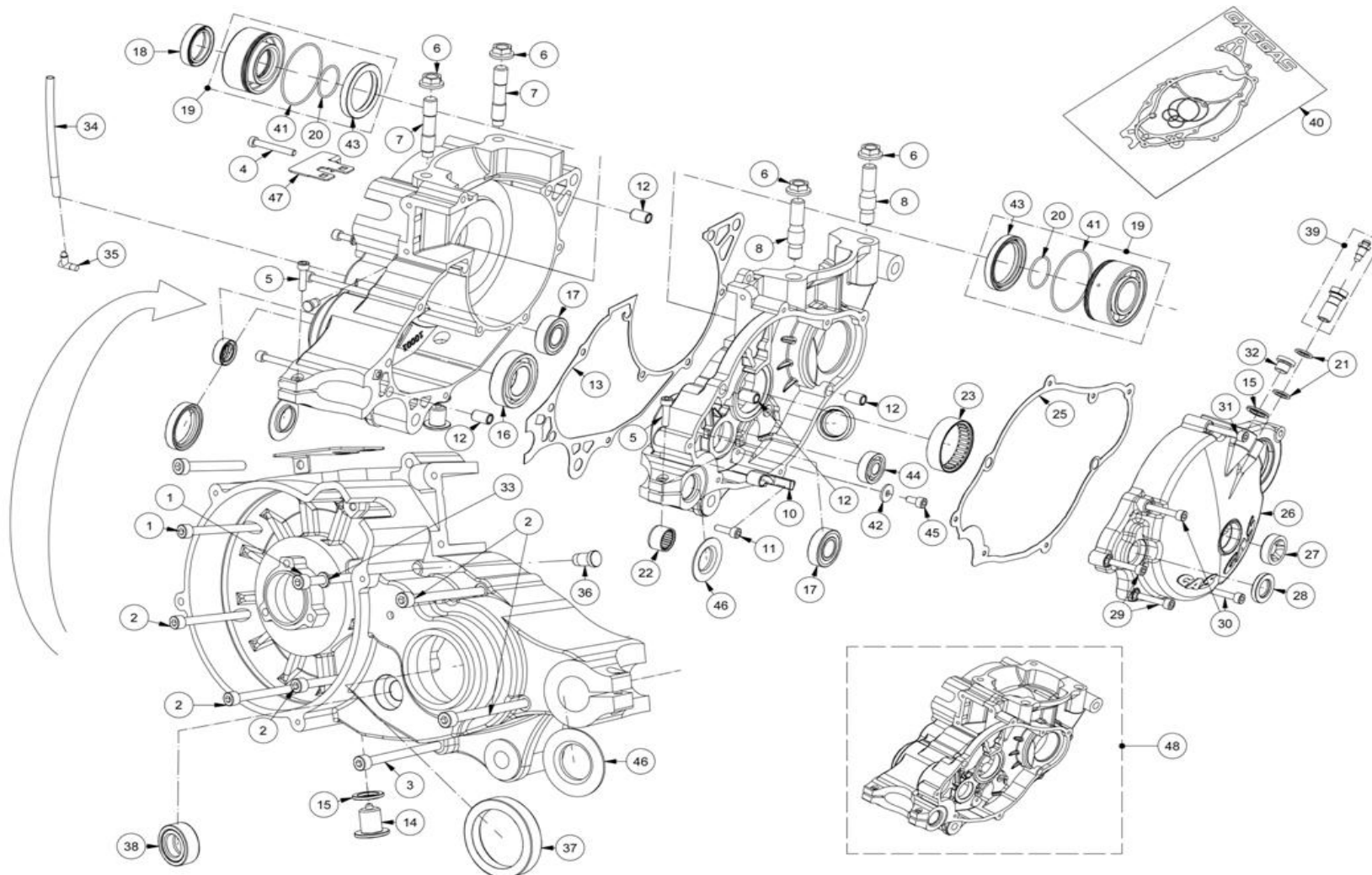
Motor 2



Nº	DESCRIPCION	DESCRIPTION			125	250 / 280	Cant.
1	ALLEN 5X65 DACROMET	5X65 DACROMET ALLEN BOLT			T0305065	T0305065	2
2	ALLEN 5X55 DACROMET	5X55 DACROMET ALLEN BOLT			T0305055	T0305055	5
3	ALLEN 5X75 DACROMET	5X75 DACROMET ALLEN BOLT			T0305075	T0305075	1
4	ALLEN 5X35 DACROMET	5X35 DACROMET ALLEN BOLT			T0305035	T0305035	1
5	ALLEN 5X20 DACROMET	5X20 DACROMET ALLEN BOLT			T0305020	T0305020	2
6	TUERCA CILINDRO 8.8 ESP	CYLINDER NUT			M01613001	M01613001	4
7	ESPÁRRAGO CILINDRO	BASE STUD CYLINDER LEFT			MT280216023	MT280216023	2
8	ESPÁRRAGO CON CENTRAJE	BASE STUD CYLINDER RIGHT			MT280216056	MT280216056	2
10	TOPE ARRANQUE TRIAL	STOP KICKSTART PEDAL			MT280226011	MT280226011	1
11	ALLEN 5X15 DACROMET	5X15 DACROMET ALLEN BOLT			T0305016	T0305016	1
12	CASQUILLO CENTRADOR CÁRTER 6X9X14	CRANKCASE BUSHING			M01017000	M01017000	4
13	JUNTA CÁRTER CENTRAL 0.2 MM	CENTER CRANKCASE GASKET			MT280344001	MT280344001	1
14	TAPÓN VACIADO ACEITE CON IMÁN	MAGNETIC OIL DRAIN PLUG			ME25610017	ME25610017	1
15	ARANDELA TIPO BUJÍA 12X18X2	WASHER			MT280410030	MT280410030	2
16	COJINETE 25X47X12 / 25X47X12	BEARING			MT280236159	MT280236159	1
17	COJINETE 15X32X9 6002 2RSL CAMBIO	GEAR BEARING			MT280236160	MT280236160	2
18	RETÉN 25X35X7 TEFLÓN CIGUEÑAL IZQUIERDO	OIL SEAL CRANK SHAFT			MT280212009	MT280212009	1
19	COJINETE CIGUEÑAL ST5225	ST5225 CRANKSHAFT BEARING			MT31010GG-CHA-1	MT31000GG-CJD-1	2
20	TÓRICA 25X1.5 NBR	O'RING 25X1.5 NBR			MT280512025	MT280512025	2
21	ARANDELA AM 10X14X1.5	10X14X1.5 WASHER			BT280522007	BT280522007	2
22	COJINETE BK1412 ARRANQUE TRIAL	KICKSTART BEARING			MT280226067	MT280226067	1
23	COJINETE 35X45X12 NQ (EJE PRIMARIO)	35X45X12 BEARING			MT280236158	MT280236158	1
25	JUNTA TAPA EMBRAGUE	CLUTCH COVER GASKET			MT280244002	MT280244002	1
26	TAPA EMBRAGUE MG TRIAL	CLUTCH COVER			MT65000GG-CHA-1	MT65000CT-CBN-1	1
27	VISOR NIVEL ACEITE EC400-4T	OIL LEVEL SIGHT GLASS			MFS400110015	MFS400110015	1
28	RETÉN 18-24-4 TRIAL 2002	18-24-4 4 KICKSTART SHAFT SEAL			MT280226016	MT280226016	1
29	ALLEN 5X25 DACROMET	5X25 DACROMET ALLEN BOLT			T0305025	T0305025	2
30	ALLEN 5X30 DACROMET	5X30 DACROMET ALLEN BOLT			T0305030	T0305030	2
31	ALLEN 5X40 DACROMET	5X40 DACROMET ALLEN BOLT			T0305040	T0305040	1
32	TAPÓN LLENADO ACEITE	OIL FILL PLUG			M01016002	M01016002	1
33	ARANDELA 5X9X1.5 COBRE	5X9X1.5 WASHER			T4000509	T4000509	1

GASGAS

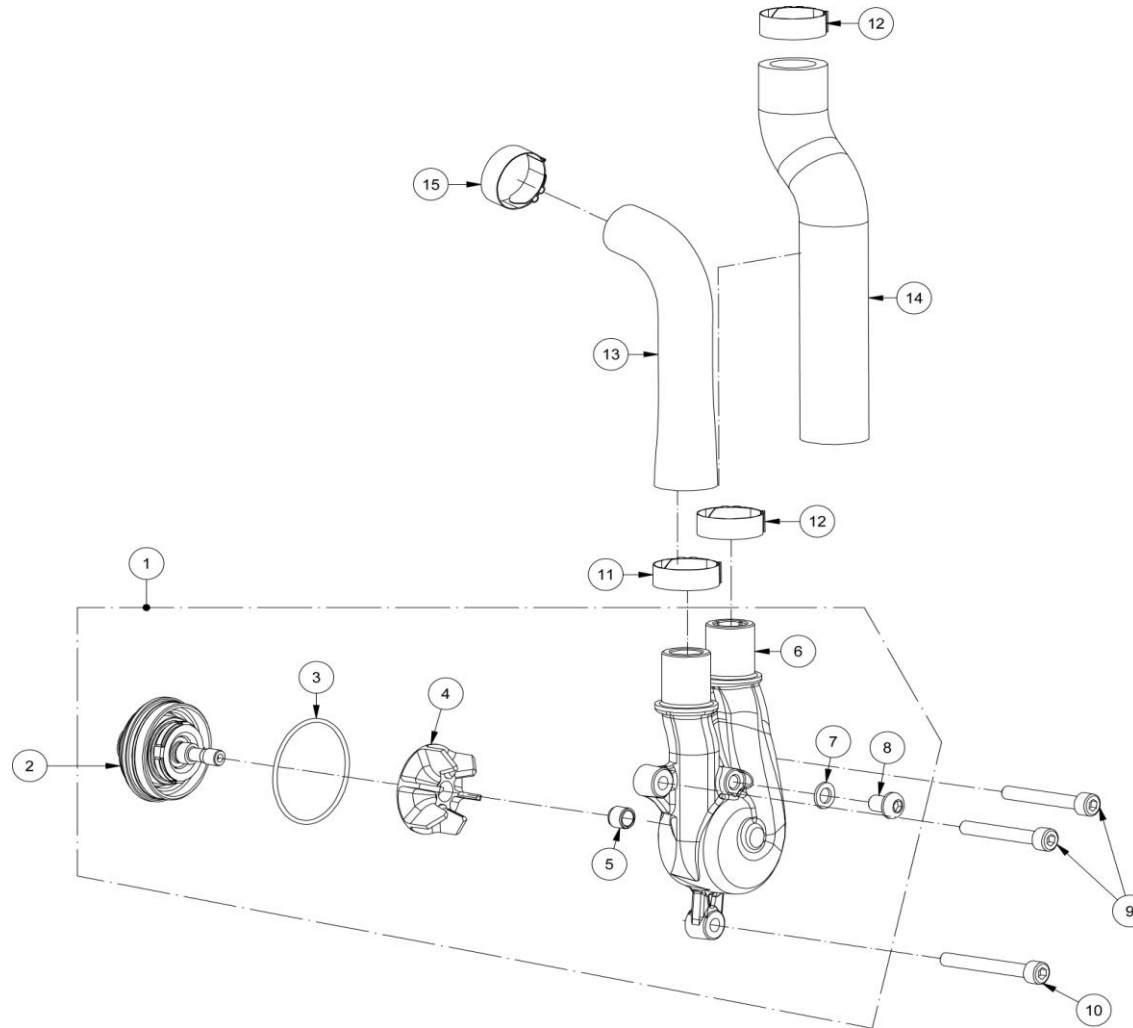
Motor 3



Nº	DESCRIPCION	DESCRIPTION			125	250 / 280	Cant.
34	TUBO DESVAPORIZADOR	FUEL VENT HOSE			MT280210012	MT280210012	1
35	DESVAPORIZADOR	FUEL VENT			MIT50010012	MIT50010012	1
36	TAPÓN PASO ACEITE CÁRTER	OIL CARTER PLUG			MT280210021	MT280210021	1
37	RETÉN 30X40X7	30X40X7 SEAL			ME25636024	ME25636024	1
38	RETÉN EJE SELECTOR	RETÉN EJE SELECTOR / AXLE SEAL			MT280236048	MT280236048	1
39	RACORD PINZA EMBRAGUE HIDRÁULICO	HIDRAULIC CLUTCH RACORD			BT280522106	BT280522106	1
40	KIT JUNTAS	GASKET SET			MT280244100	MT280244100	1
41	TÓRICA COJINETE CIGU. 49X1.5 NBR	O'RING 49X1.5 NBR				MT280512028	2
42	ARANDELA PLANA 5x15x1,5	5x15x1,5 WASHER			T4005015	T4005015	1
43	RETEN CIGÜEÑAL	CRANK SHAFT SEAL				MT31020GG-CJD-1	2
44	RODA.EJE CENTRI.Y BOMBA 608.Z.C3	BEARING 608.Z.C3			ME25610010	ME25610010	1
45	ALLEN 5x12	5x12 ALLEN SCREW			T0305012	T0305012	1
46	ARANDELA BASCULANTE	SWINARM WASHER			BT280212007	BT280212007	2
47	SOPORTE CONECTORES ENCENDIDO	SUPPORT IGNITION CONNECTORS			ET75050GG-CBN-1	ET75050GG-CBN-1	1
48	KIT CARTERS	CRANKCASE KIT			MT10000CT-CHA-1	MT10000CT-CBN-1	1
49	RETEN CIGÜEÑAL				MT31020GG-CHA-1		1

GASGAS

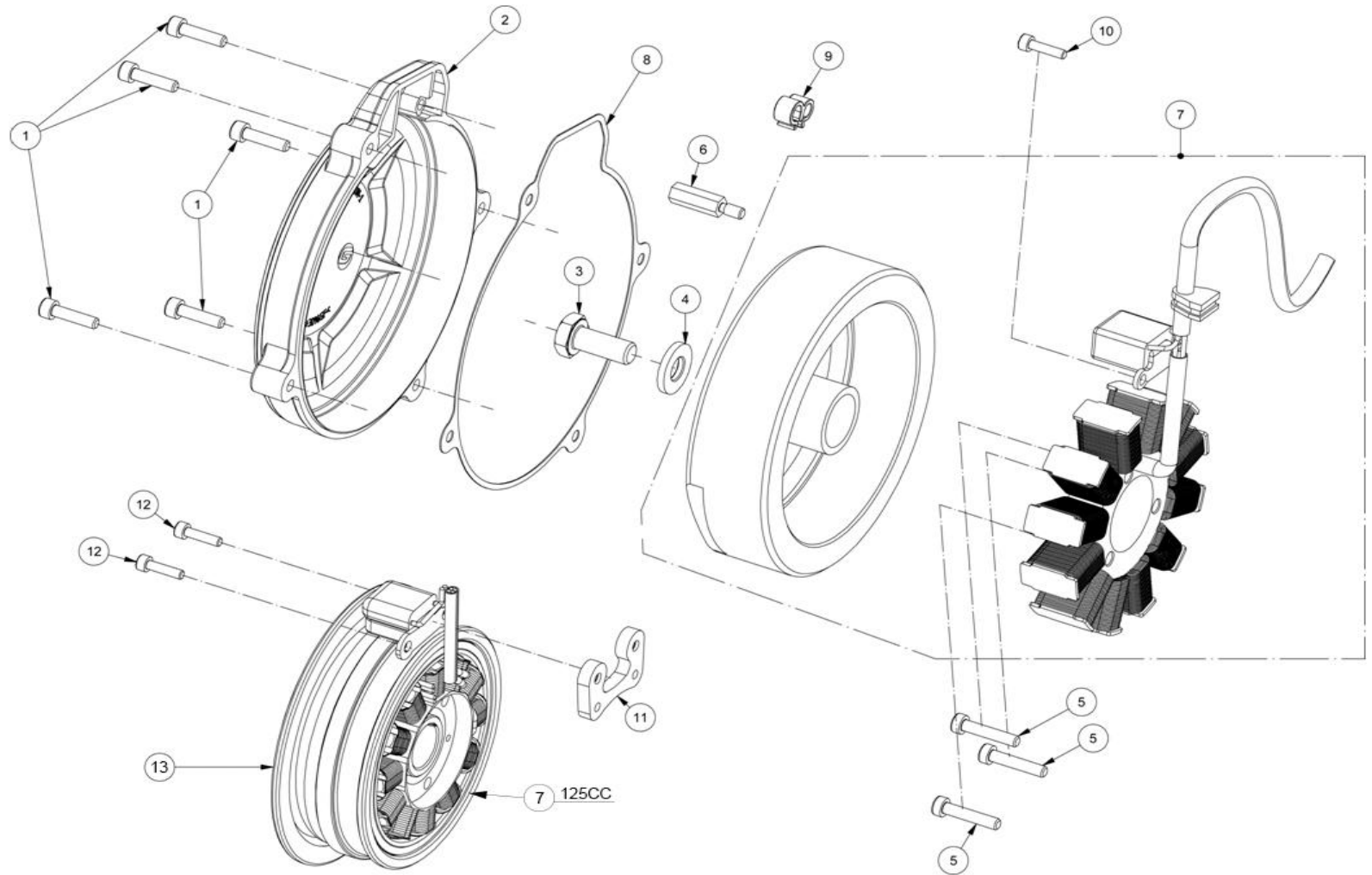
Motor 4



Nº	DESCRIPCION	DESCRIPTION			125	250 / 280	Cant.
1	CONJUNTO BOMBA DE AGUA	WATER PUMP KIT			MT55000CT-CGI-1	MT55000CT-CGI-1	1
2	CTO. INTERIOR BOMBA DE AGUA	WATER PUMP INNER ASSY			MT57000CT-CGI-1	MT57000CT-CGI-1	1
3	TÓRICA 37X1.5 TAPA BOMBA AGUA	O'RING WATER PUMP COVER			MT280218008	MT280218008	1
4	TURBINA BOMBA DE AGUA	WATER PUMP TURBINE			MT56000GG-CGI-1	MT56000GG-CGI-1	1
5	RODAMIENTO DE FRICCION Ø6 x Ø8 x 6	FRICITION BEARING Ø6 x Ø8 x 6			MT57035GG-CGI-1	MT57035GG-CGI-1	1
6	BOMBA DE AGUA CUERPO SUPERIOR	WATER PUMP UPPER BODY			MT55000GG-CGI-1	MT55000GG-CGI-1	1
7	ARANDELA Ø6 x Ø10 x 1,5	WASHER Ø6 x Ø10 x 1,5			T4006008	T4006008	1
8	TORNILLO ULS M6x8	BOLT ULS M6x8			T0506008	T0506008	1
9	ALLEN M5X20 ZINCADO NEGRO	M5x20 ALLEN SCREW BLACK ZINC			T0305035	T0305035	2
10	TORNILLO ALLEN	ALLEN SCREW			T0305040	T0305040	1
11	ABRAZADERA 20	CLAMP Ø20			L200035	L200035	1
12	ABRAZADERA COBRA 21	Ø21 COBRA CLAMP			L200046	L200046	2
13	TUBO BOMBA – CILINDRO	PUMP TO CILINDER PIPE			BT280232017	BT280232017	1
14	MANGUITO INFERIOR (RADIADOR --> BOMBA)	LOWER PIPE (RADIATOR-PUMP)			BT71000GG-CGI-1	BT71000GG-CGI-1	1
15	ABRAZADERA COBRA 19	COBRA CLAMP Ø19			L200043	L200043	1

GASGAS

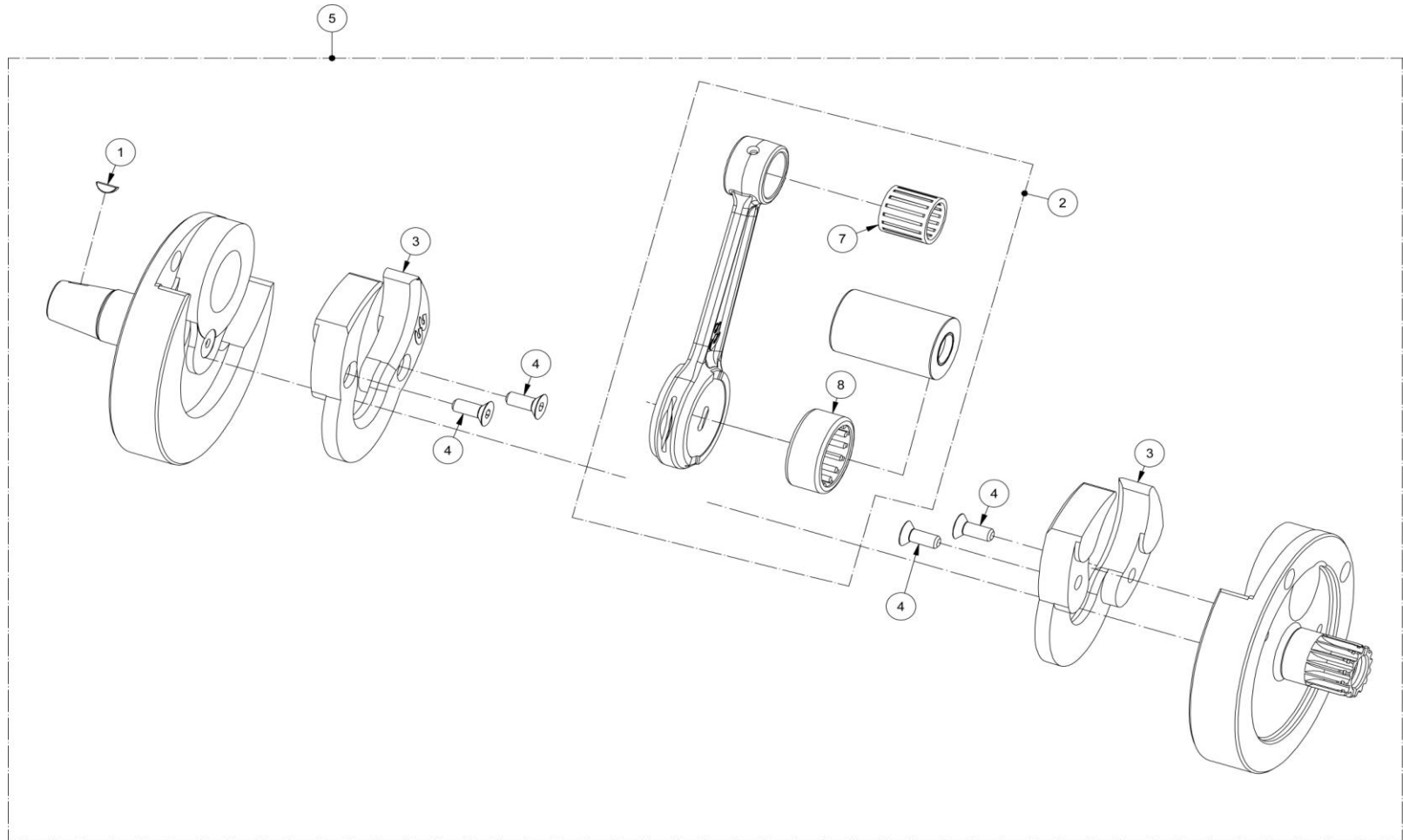
Motor 5



Nº	DESCRIPCION	DESCRIPTION			125	250 / 280	Cant.
1	ALLEN 5X20	5X20 ALLEN BOLT			MT60000CT-CBN-1	MT60100GG-CKW-1	5
2	TAPA ENCENDIDO	COVER FLY-WHEEL				MT60000GG-CBN-1	1
3	TORNILLO M10X25	M10X25 SCREW				T0101025	1
4	ARANDELA 10X23X4	10X23X4 WASHER				T4001024	1
5	ALLEN UFK NEGRO 5X25	UFK 5X25 BLACK ALLEN BOLT				T0315025N	3
6	TORNILLO PICK UP TRIAL 2003	PICK UP TRIAL 2003 SCREW				ET70220GG-CBN-1	1
7	CTO. ENCENDIDO	IGNITION SET			ET70000CT-CGC-1	ET70000CT-CKW-1	1
8	JUNTA TAPA VOLANTE ENCENDIDO	COVER FLY WHEEL GASKET				MT280344004	1
9	GRAPA SUJECCION CABLE	GRAPA SUJECCION CABLE				EE650202508	1
10	TORNILLO ALLEN	ALLEN SCREW				T0305012	1
11	SOPORTE PICK-UP	ALLEN SCREW			MT70215GG-CGC-1		1
12	TORNILLO ALLEN	ALLEN SCREW				T0305012	2
13	INERCIA VOLANTE IDRIA	IDRIA INERTIA FLYWHEEL			ET70125GG-CGC-1		1

GASGAS

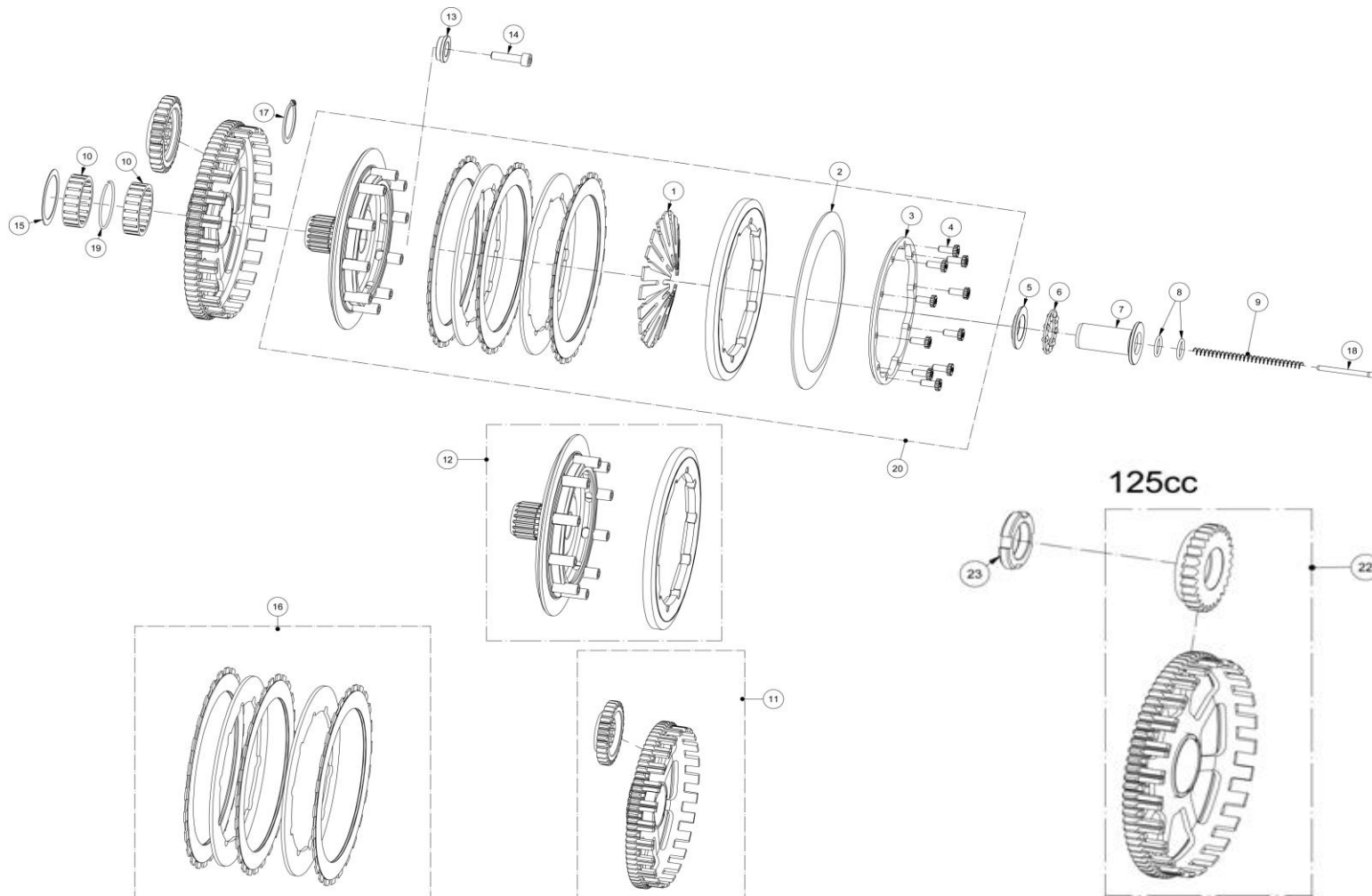
Motor 6



Nº	DESCRIPCION	DESCRIPTION			125	250 / 280	Cant.
1	CHAVETA D10X3X3.7 TRIAL 2002	D10X3X3.7 KEY			MT280234016	MT280234016	1
2	CONJUNTO BIELA TRIAL	TRIAL CONNECTING ROD SET			MT32000CT-CHA-1	MT280212100	1
3	NYLON CONTRAPESO	CONTERWEIGHT NYLON			MT37000GG-CHA-1	MT280212021	2
4	ALLEN CÓNICO UN15933 M6X16	ALLEN BOLT			T0406016	T0406016	4
5	CTO. CIGÜEÑAL TRIAL SXXI	CRANK SHAFT ASSEMBLY COMPLETE			MT30000CT-CHA-1	MT280212000	1
7	COJINETE PIE DE BIELA	NEEDLES BEARING			M01411001	ME25616035	1
8	COJINETE CABEZA DE BIELA	NEEDLES BEARING			M01415001	MT32050GG-AIZ -1	1

GASGAS

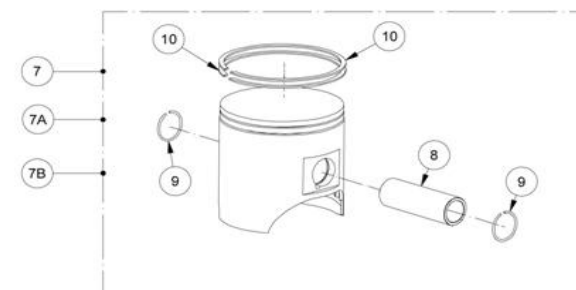
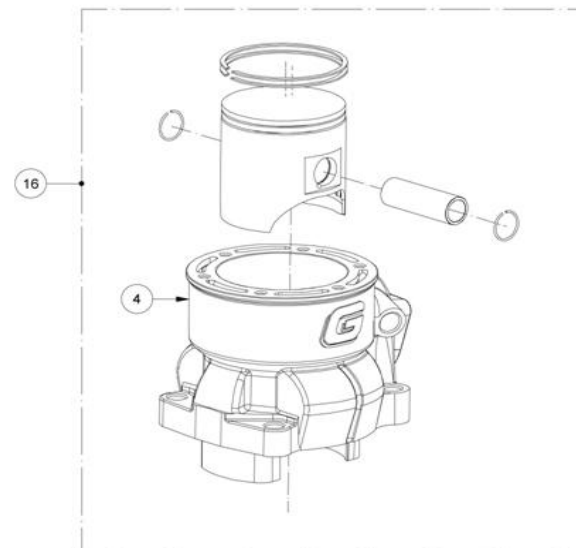
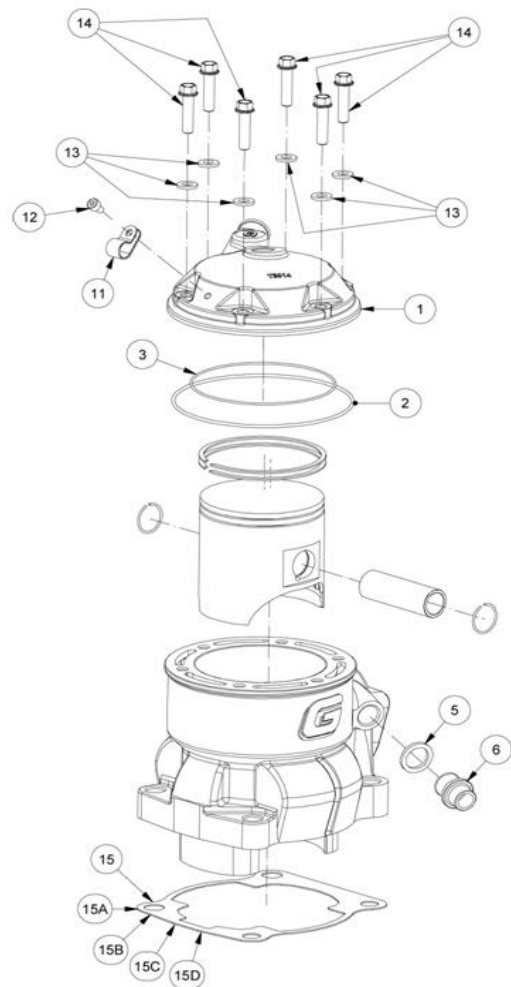
Motor 7



Nº	DESCRIPCION	DESCRIPTION			125	250 / 280	Cant.
1	DESMULTIPLICADOR EMBRAGUE TRIAL	CLUTCH RELEASE ARM			MT280632070	MT280632070	10
2	PRENSA EMBRAGUE	PRESSURE PLATE			MT280632006	MT280632006	1
3	MUELLE EMBRAGUE TRIAL	CLUTCH SPRING			MT280632015	MT22020GG-CJT-1	1
4	SOPORTE MUELLE EMBRAGUE	CLUTCH SPRING SUPPORT PLATE			MT280632045	MT280632045	1
5	ULS ESPECIAL PRENSA 4X10	PRESSURE PLATE ULS BOLT			MT280332077	MT280332077	10
6	BOLET EMBRAGUE TRIAL 2003	BEARING PLATE			MT280332014	MT280332014	1
7	COJINETE PRENSA EMBRAGUE AXK 17X30X2	BEARING, CLUTCH END PLATE			MT280232043	MT280232043	1
8	PISTÓN BOMBIN EMBRAGUE TRIAL 2003	CLUTCH PUMP PISTON			MT280332040	MT280332040	1
9	TÓRICA FKM	FKM O'RING			MT280432047	MT280432047	2
10	MUELLE PISTÓN EMBRAGUE	CLUTCH PISTON SPRING			MT280332018	MT280332018	1
11	COJINETE G95 CORONA EMBRAGUE	CLUTCH BEARING			MT280432039	MT280432039	2
12	CTO. CORONA EMBRAGUE Y PIÑON	CROWN CLUTCH AND GEAR SET				MT280232003CT	1
13	CUBO EMBRAGUE	CLUTCH HUB			MT280632005CT	MT280632005CT	1
14	CASQUILLO SUJECIÓN EMBRAGUE	CLUTCH HUB BUSHING			MT280232080	MT280232080	1
15	ALLEN UFK 5X20 SUJECIÓN CUBO TRIAL 280	CLUTCH HUB BOLT			MT280232081	MT280232081	1
16	ARANDELA 30.2X38X0.5 EMBRAGUE	CLUTCH WASHER			T4003038	T4003038	1
17	CTO. DISCOS EMBRAGUE TRIAL 2004	2004 CLUTCH DISC SET COMPLETE			MT280432055	MT280432055	1
18	CIRCLIP E25 CIGÜEÑAL	CRANKSHAFT E25 CIRCLIP			ME25936084	ME25936084	1
19	GUÍA MUELLE PISTÓN	PISTON SPRING GUIDE			MT280432065	MT280432065	1
20	CIRCLIP CORONA EMBRAGUE	CLUTCH CIRCLIP			MT280432139	MT280432139	1
22	CTO. CORONA EMBRAGUE Y PIÑON	CROWN CLUTCH AND GEAR SET			MT21000CT-CHA-1		1
23	TUERCA FIJA PIÑON	GEAR NUT			MT42095GG-CHA-1		1

GASGAS

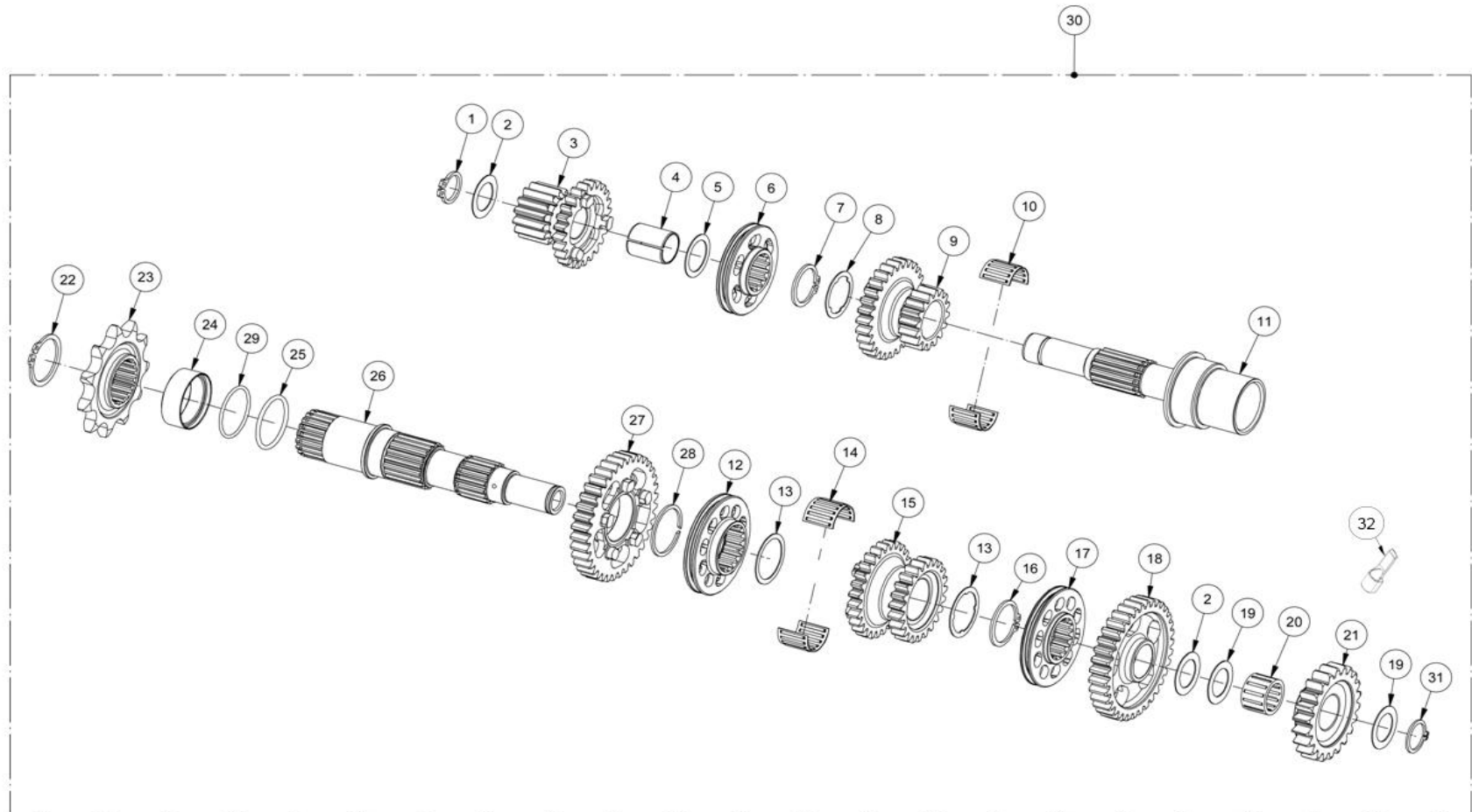
Motor 8



Nº	DESCRIPCION	DESCRIPTION		125	250	280	Cant.
1	CTO. CULATA TRIAL	CYLINDER HEAD		MT75000CT-CJY-1	MT75000CT-CJW-1	MT75000CT-CJV-1	1
2	TÓRICA CULATA EXTERIOR	O'RING CYL. EXTERIOR		ME120116060	M01619135	M01619135	1
3	TÓRICA CULATA INTERIOR	O'RING CYL. INTERIOR		ME120116065	M01619215	M01619215	1
4	CILINDRO TRIAL	CYLINDER		MT70000GG-CGC-1	MT70000GG-CGF-1	MT70000CG-CGH-1	1
5	ARANDELA PLANA FIBRA	FIBER WASHER		ME25610014	ME25610014	ME25610014	1
6	RACORD CILINDRO	CYLINDER WATER HOSE NECK		MT280210013	MT280210013	MT280210013	1
7	PISTÓN TRIAL	PISTON TRIAL		MT120216020	MT250516020	MT71000CT2808	1
7A	PISTÓN LETRA B	PISTON B		MT120216121	MT250516121	MT71001CT2808	1
7B	PISTÓN LETRA C	PISTON C		MT120216122	MT250516122	MT280216122	1
8	BULÓN PISTÓN	PISTON PIN		MT120216125	MT280216125	MT280216125	1
9	CIRCLIP PISTÓN	CLIP PISTON		MO1417052	MT280216126	MT280216126	2
10	AROS PISTÓN	PISTON RING		MT120216020	MT250516040	MT710012808	2
11	GRAPA SUJECCION CABLES	WIRE SUPPORT		ET750502809	ET750502809	ET750502809	1
12	ALLEN 4X6 ZINCADO	M4X6 ALLEN		T0304006	T0304006	T0304006	1
13	ARANDELA COBRE 6X12X1.5	6X12X1.5 COOPER WASHER		T4006713	T4006713	T4006713	6
14	TORNILLO EXAGONAL CON ARANDELA M6x25 FIJA CULATA A CILINDRO	M6X25 EXAGONAL SCREW WITH WASHER		T0206025	T0206025	T0206025	6
15	JUNTA CILINDRO 0,8 mm.	0,8 mm. GASKET CYLINDER BASE		MT70050GG-CHA-1	MT280244000	MT280244000	1
15A	JUNTA CILINDRO 0,3 mm.	0,3 mm GASKET CYLINDER BASE			MT280224009	MT280224009	1
15B	JUNTA CILINDRO 1 mm.	1 mm. GASKET CYLINDER BASE			MT280244010	MT280244010	1
15C	JUNTA CILINDRO 0,5 mm.	0,5 mm. GASKET CYLINDER BASE			MT942002810	MT942002810	1
15D	JUNTA CILINDRO 0,15 mm.	0,15 mm. GASKET CYLINDER BASE			MT280244015	MT280244015	1
16	CTO. CILINDRO Y PISTON	SET CYLINDER AND PISTON		MT70000CT-CGC-1	MT70000CT-CGF-1	MT70000CT-CGH-1	1

GASGAS

Motor 9



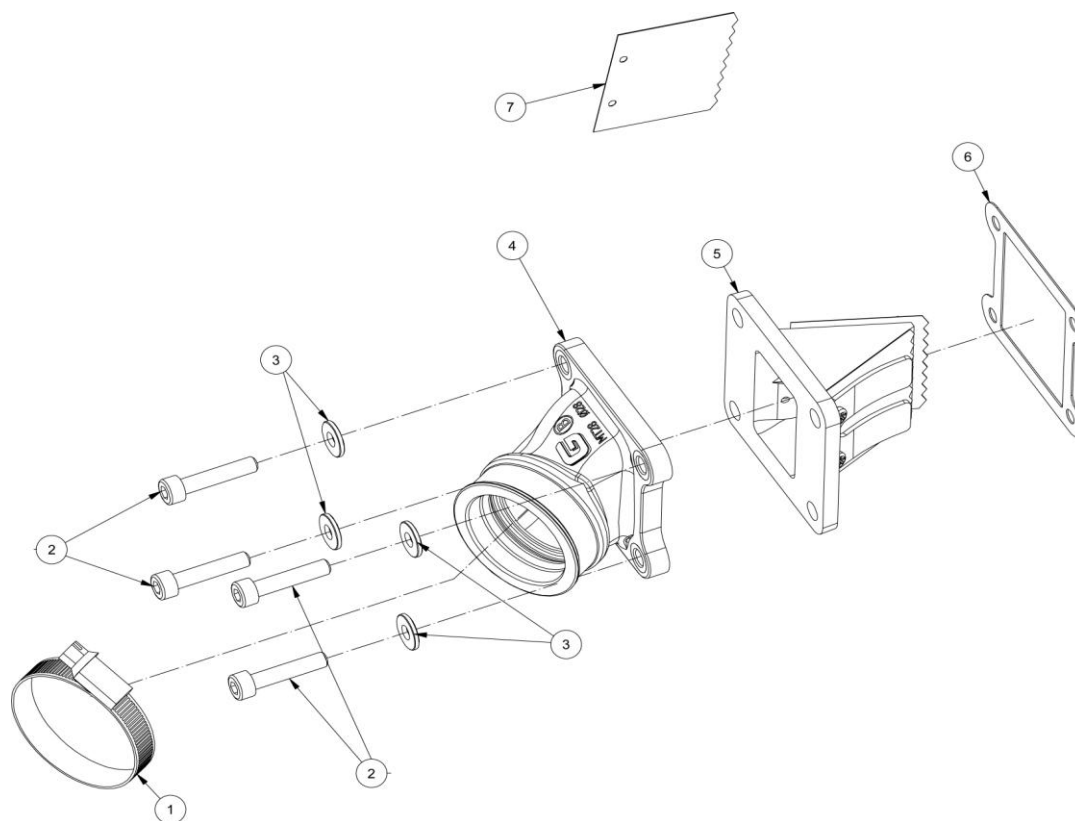
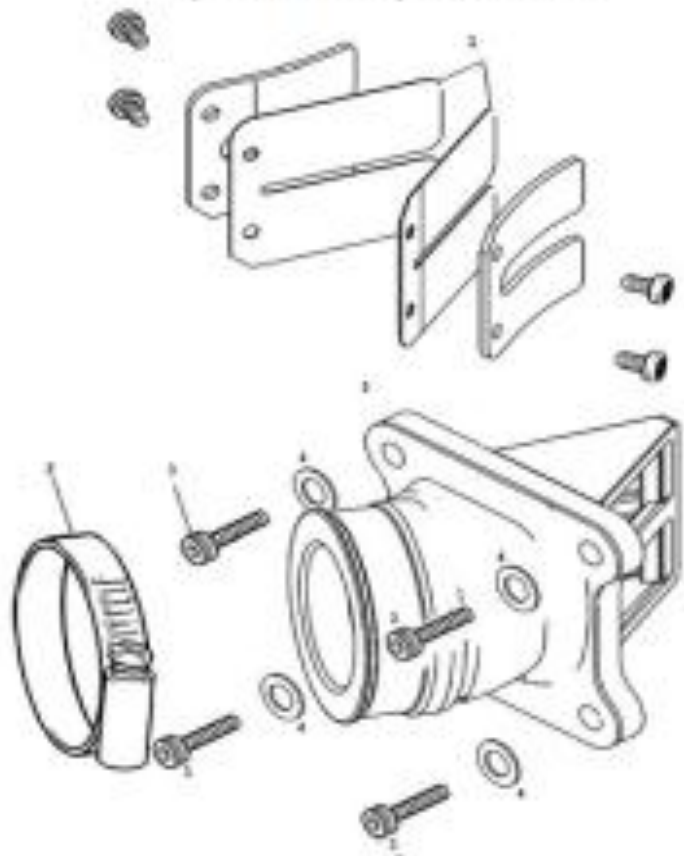
Nº	DESCRIPCION	DESCRIPTION			125	250 / 280	Cant.
1	CIRCLIP E15 DIN471	E15 CIRCLIP			MT280236163	MT280236163	2
2	ARANDELA 15,2X23X0,5	15,2X23X0,5 WASHER			T4001523	T4001523	1
3	PIÑÓN 2	GEAR 2			MT280236071	MT280236071	1
4	COJINETE FRICCION 15x17x20 EJE PRIMARIO	15x17x20 BEARING			MT280236164	MT280236164	1
5	ARANDELA 17X23X0,5	17X23X0,5 WASHER			T4001723	T4001723	1
6	DESPLAZABLE PRIMARIO	PRIMARY SELECTOR DISC			MT280236073	MT280236073	1
7	CIRCLIP E20 DIN 471 REBAJADO	E20 CIRCLIP			MT280236165	MT280236165	1
8	ARANDELA 20X25X0,5	20X25X0,5 WASHER			T4002025	T4002025	1
9	PIÑÓN 3	GEAR 3			MT280236072	MT280236072	1
10	JAULA AGUJAS	NEEDLE BEARING			MT280236162	MT280236162	2
11	EJE PRIMARIO	PRIMARY SHAFT			MT280236070	MT280236070	1
12	DESPLAZABLE 2 SECUNDARIO	SECONDARY SELECTOR DISC			MT280236080	MT280236080	1
13	ARANDELA 22X27X0,5	22X27X0,5 WASHER			T4002227	T4002227	2
14	JAULA AGUJAS	NEEDLE BEARING			MT280236161	MT280236161	2
15	PIÑÓN 5	GEAR 5			MT280236078	MT280236078	1
16	CIRCLIP E22 DIN471	E22 CIRCLIP			MT280236166	MT280236166	1
17	DESPLAZABLE 3 SECUNDARIO	SECONDARY SELECTOR DISC			MT280236079	MT280236079	1
18	PIÑÓN 3 SECUNDARIO	SECONDARY 3 GEAR			MT280236076	MT280236076	1
19	ARANDELA	WASHER			M02622001	M02622001	2
20	JAULA AGUJAS	NEEDLE BEARING			MT280226015	MT280226015	1
21	PIÑÓN INTERMEDIO	INTERMEDIATE GEAR			MT280226001	MT280226001	1
22	CIRCLIP E25	E25 CIRCLIP			ME25936084	ME25936084	1
23	PIÑÓN CADENA SALIDA	SPROCKET, COUNTERSHAFT z.11			MT280236525	MT280236525	1
23B	PIÑÓN CADENA SALIDA	SPROCKET, COUNTERSHAFT z.10			MT200236525	MT200236525	1
23C	PIÑÓN CADENA SALIDA	SPROCKET, COUNTERSHAFT Z12			MT280236526	MT280236526	1
24	CASQUILLO RETÉN SALIDA CAMBIO	SHIFT SEAL BUSHING			MT280236046	MT280236046	1
25	TÓRICA 25X2 NBR	NBR 25X2 O'RING			ME25632025	ME25632025	1
26	EJE SECUNDARIO	SECONDARY SHAFT			MT280236075	MT280236075	1
27	PIÑÓN 2 SECUNDARIO	SECONDARY 2 GEAR			MT280236077	MT280236077	1
28	CIRCLIP SW25	SW25 CIRCLIP			ME25636085	ME25636085	1
29	TÓRICA 25X1,5 NBR	25X1,5 O'RING			MT280212025	MT280212025	1
30	CTO. CAMBIO TRIAL	TRANSMISSION COMPLETE			MT280236010	MT280236010	1
31	CLIP DE 15MM PIÑÓN INT. ARRANQUE	15MM. CIRCLIP			M02623000	M02623000	1
32	TOPE ARRANQUE	STOP KICK START PEDAL			MT280226011	MT280226011	1

**Caja laminas /
Reed valve**

GASGAS

**CONTACT 2017 / 2018
SCHOOL 2017 / 2018**

(PARA DELLORTO / FOR DELLORTO)



11

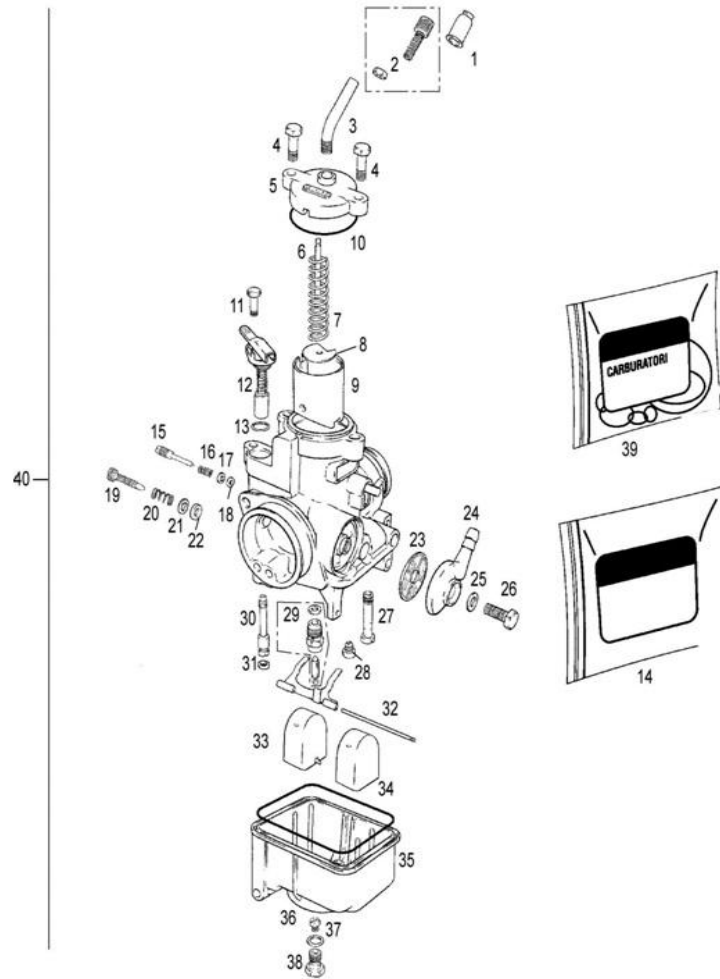
DELL' ORTO

KEIHIN

Nº	DESCRIPCION	DESCRIPTION			125	250 / 280	Cant.
1	JUEGO LÁMINAS ADMISIÓN	REEDS SET			NA	MT280416041	2
2	ABRAAZADERA S/44/9 WU	S/44/9 WU CLAMP			NA	BT280328038	1
3	ALLEN 5X15 DACROMET	5X15 ALLEN BOLT			NA	T030515	4
4	ARANDELA 5X12X1,5	5X12X1,5 WASHER			NA	T4005012	4
5	CAJA LÁMINAS TRIAL	REED BLOCK ASSY			NA	MT280416021	1

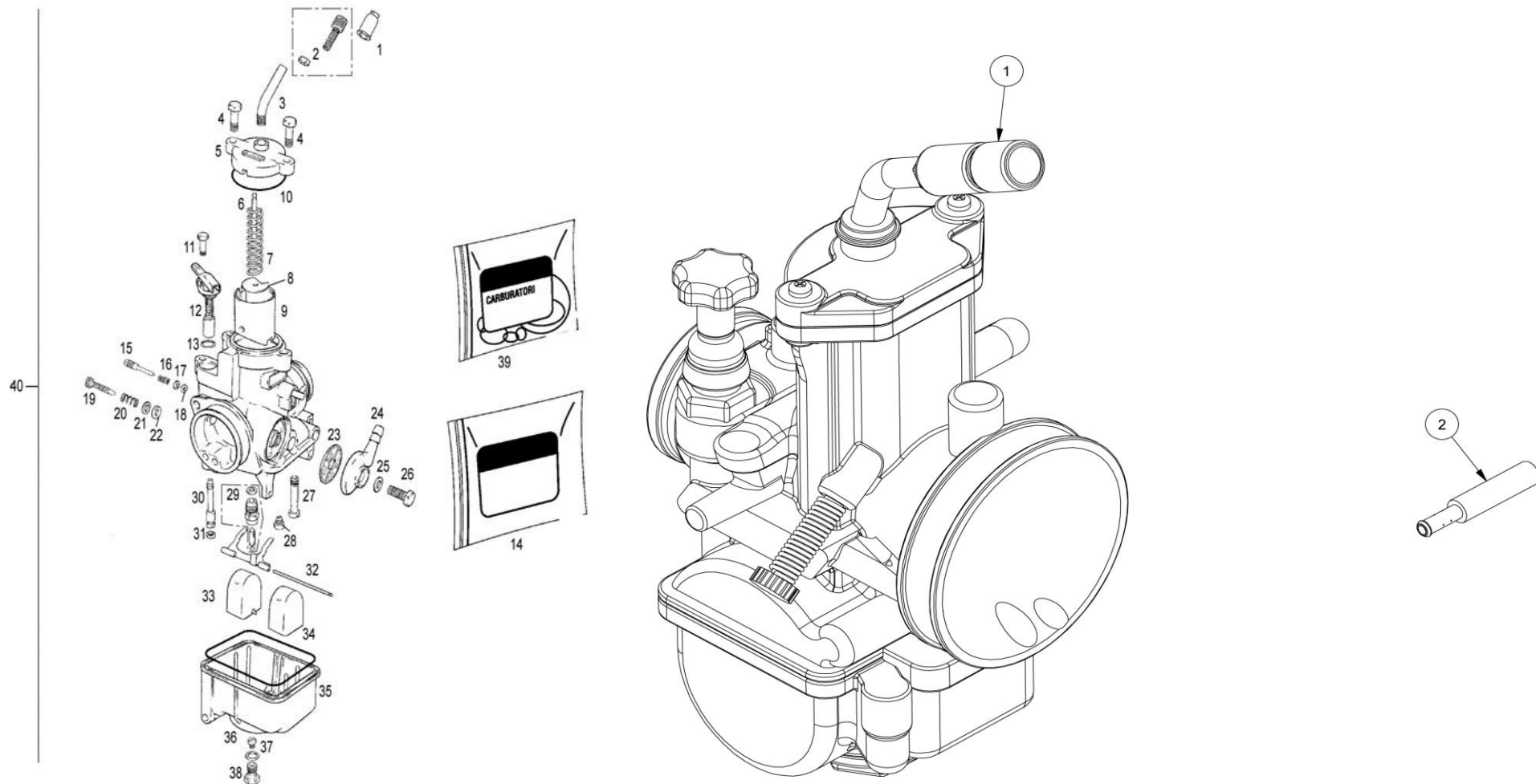
Nº	DESCRIPCION	DESCRIPTION			125	250 / 280	Cant.
1	ABRAZADERA S/44/9 W1	S/44/9 W1 CLAMP			BT280328038	NA	1
2	TORNILLO ALLEN M5X20 DRACOMET CEX	M5X20 DRACOMET ALLEN SCREW			T0305020	NA	4
3	ARANDELA 5X12X1,5	5X12X1,5 WHASER			T4005012	NA	4
4	TUBERA ADMISION	INTAKE MANIFOLD			MT26000CT-CGI-1	NA	1
5	CAJA LAMINAS TRIAL	REED VALVE			M01617200	NA	1
6	JUNTA CAJA LAMINAS (CARTER)	REED VALVE GASKET (CRANKCASE)			MT280244005	NA	1
7	LAMINA	REED PETAL			M01616000	NA	2

GASGAS *Motor 11*



Nº	DESCRIPCION	DESCRIPTION				250 / 280	Cant.
1	CAPUCHÓN TENSOR CABLE GAS	ADJ. TENSION THROTTLE CABLE				M09001055	1
1A	CAPUCHON TENSOR CABLE GAS CEX	CAP TENSOR CABLE GAS CEX				M09001055	1
2	CTO. TENSOR CABLE	CABLE TENSION SET SCREW				M09001230	1
3	TENSOR CABLE GAS	CABLE TENSION TUBE				M09001032	1
4	TORNILLO TAPA CARBURADOR	SCREW COVER CARBURETOR				M09001025	2
5	TAPA CARBURADOR	COVER CARBURETOR				M09001156	1
6	AGUJA D36 3º PUNTO	NEEDLE D36				M09003036	1
7	MUELLE COMPUERTA	SPRING SLIDE				M09001015	1
8	PLANCHA SUJECIÓN CABLE GAS	CABLE RETAINER PLATE				M09001010	1
9	COMPUERTA	VALVE SLIDE				M09002060	1
10	TÓRICA TAPA CARBURADOR	CARBURETOR COVER O'RING				M09001050	1
11	TORNILLO SUJ. STARTER	CHOKE SCREW				M09001110	1
12	MANDO STARTER	CHOKE LEVER ASSY.				M09001105	1
13	TÓRICAS STARTER	CHOKE O'RING				M09001065	1
14	KIT CARBURACIÓN	CARBURETOR KIT				MT25000133011	1
15	TORNILLO REG. ENTRADA AIRE	REG. ENTRANCE SCREW				M09001115	1
16	MUELLE TORNILLO REG. AIRE	SPRING SCREW REG. AIR				MT280390039	1
17	ARANDELA TORN. REG. AIRE	WASHER SCREW BOLT REG. AIR				M09001125	1
18	TÓRICA TORNILLO REG. AIRE	O'RING SCREW BOLT REG. AIR				M09001075	1
19	TORNILLO REG. COMPUERTA	SCREW BOLT REG. SLIDE				M09001035	1
20	MUELLE TORNILLO REG. COMPUERTA	SPRING SCREW SLIDE				M09001040	1
21	ARANDELA TORNILLO REG. COMP.	WASHER SCREW REG. SLIDE				M09001045	1
22	TÓRICA TORNILLO REG. COMP.	O'RING SCREW REG. SLIDE VALVE				M09001060	1
23	JUNTA PIPETA GASOLINA	FUEL FILTER DISC				M09001095	1
24	PIPETA ENTRADA GASOLINA	FUEL ENTRY TUBE				M09001135	1
25	JUNTA TORNILLO PIPETA	GASKET SCREW BOLT				M09001100	1
26	TORNILLO PIPETA	BOLT				M09001140	1
27	EMULSOR	NEEDLE JET				M09005271	1
28	CHICLE RALENTÍ 30	JET SLOW 30				M09004035	1
29	VÁLVULA FLOTADOR	FLOAT VALVE				M09001200	1
30	CHICLE STARTER 60	JET CHOKE 60				M09007060	1

GASGAS *Motor 12*



Nº	DESCRIPCION	DESCRIPTION			125	250 / 280	Cant.
31	TÓRICA CHICLE STARTER	O'RING JET CHOKE			M09001070	M09001070	1
32	EJE FLOTADOR	FLOAT SHAFT			M09001145	M09001145	1
33	FLOTADOR 2X2	FLOAT 2X2			M09008036	M09008036	2
34	TÓRICA CUBETA GASOLINA	O'RING FUEL BOWL			M09001085	M09001085	1
35	CUBETA GASOLINA	FUEL BOWL			M09001150	M09001150	1
36	CHICLE PRINCIPAL	MAIN JET			M09006118	M09006118	1
37	TÓRICA TAPÓN CUBETA	O'RING CAP CONTAINER			M09001090	M09001090	1
38	TAPÓN CUBETA GASOLINA	FUEL BOWL BOLT			M09001155	M09001155	1
39	KIT JUNTAS CARBURADOR	GASKET CARBURETOR KIT			M09001101	M09001101	1
40	CARBURADOR PHBL 26 BS	PHBL CARBURETOR COMPLETE			MT280290000	MT280290000	1

Nº	DESCRIPCION	DESCRIPTION			125	250 / 280	Cant.
1	CARBURADOR KEIHIN PWK28	KEIHIN PWK28 CARBURETOR			MT280390000RA	NA	1
2	CHICLE RALENTI 52 (N424-21052)	52 IDLE JET (N424-21052)			ME200390052	NA	1

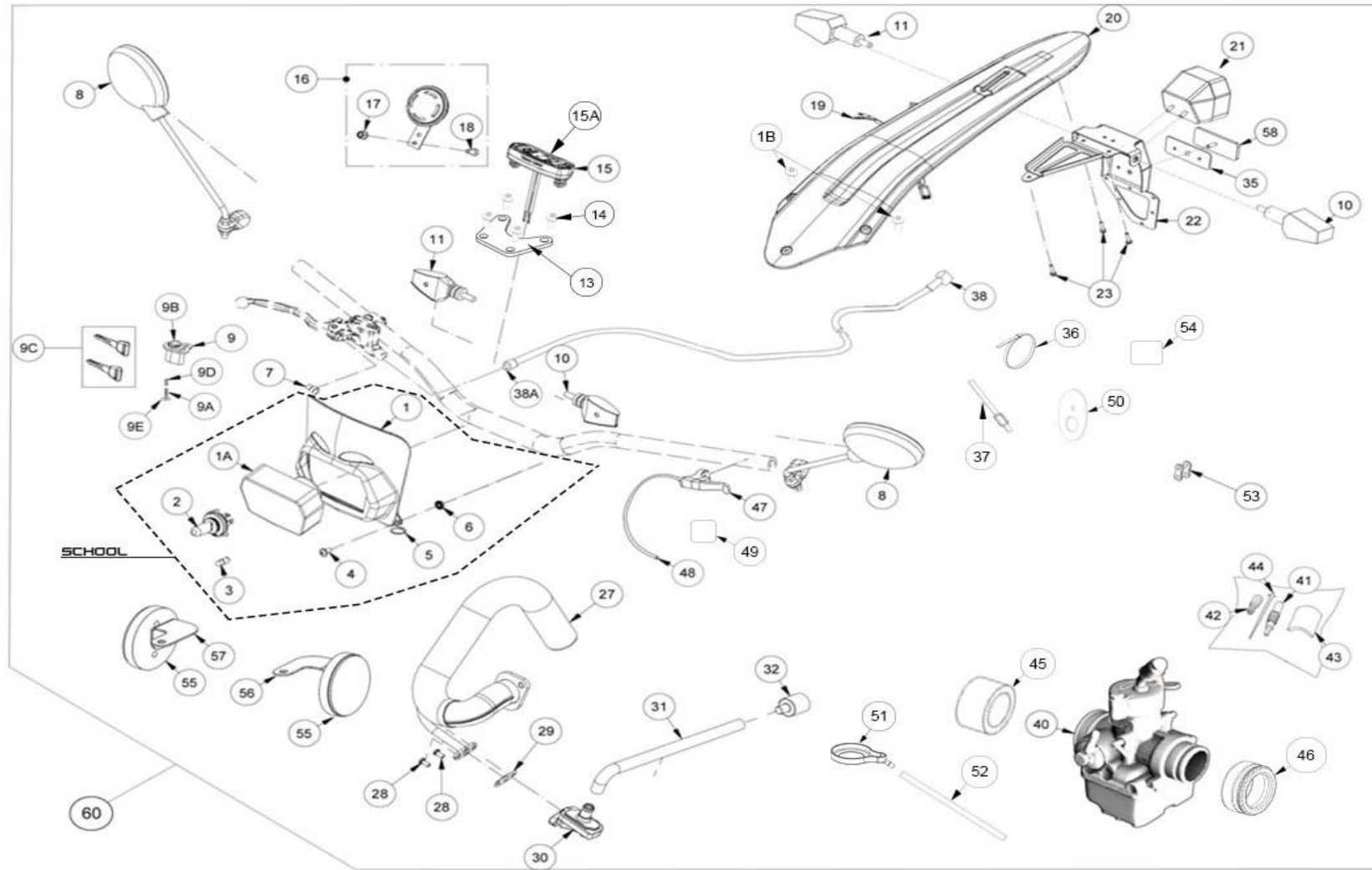
GASGAS

Motor 12

Kit Homologación
Homologated Kit

GASGAS

CONTACT 2017 / 2018
SCHOOL 2017 / 2018



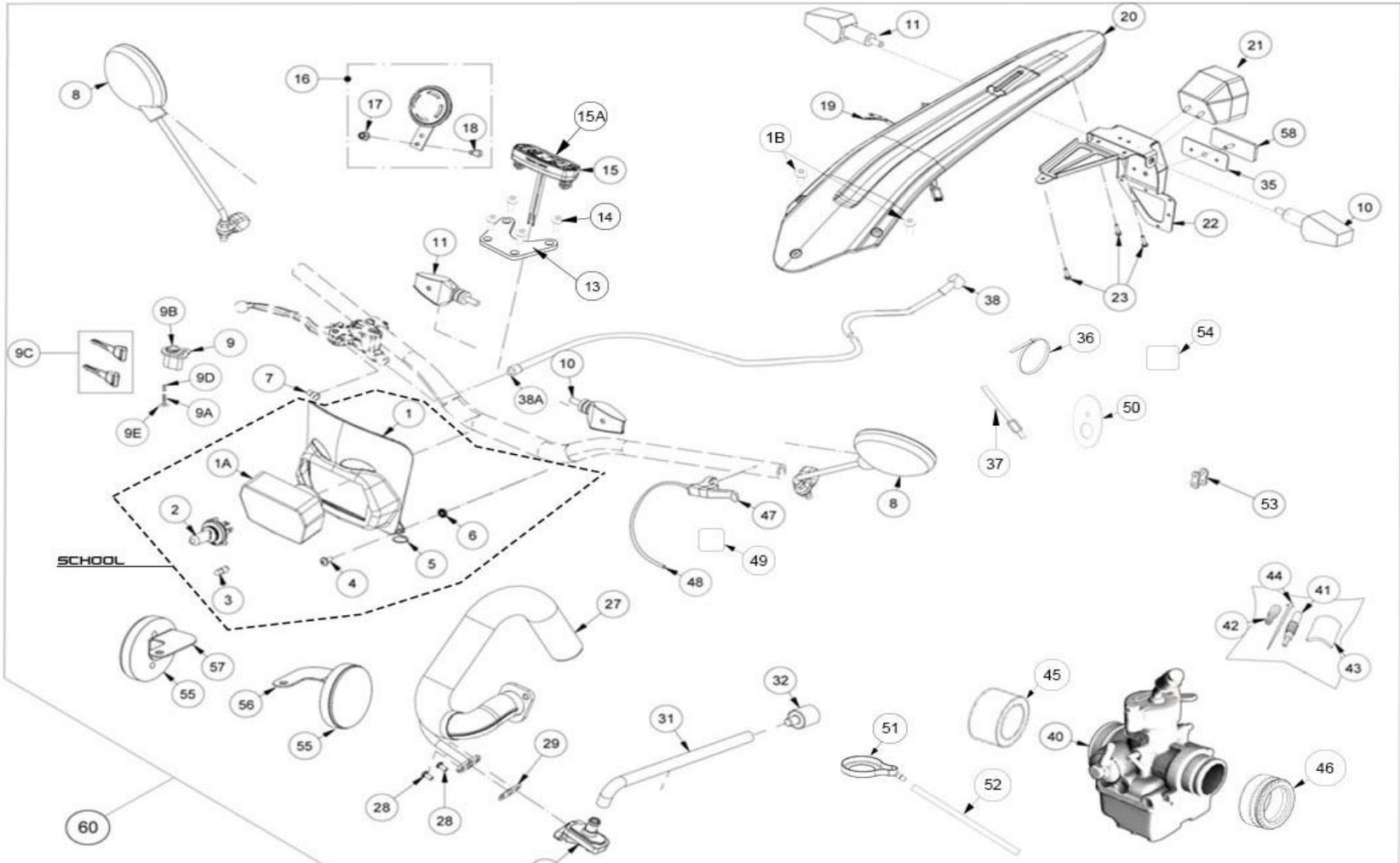
Nº	DESCRIPCION	DESCRIPTION			125	250 / 280	Cant.
1	PLASTICO FARO TRIAL HOMOLOGADO NEGRO	HOMOLOGATED BLACK TRIAL HEADLIGHT			BT90500RH3009	NA	1
1A	OPTICA FARO HOMOL.310.06	HOMOLOGATED OPTIC HEADLAMP			BT280120022	NA	1
1B	TORN. ESPECIAL PLASTICO 3.1X6 CL81Z	SCREW FOR PLASTIC 3.1X6			T0803006	T0803006	1
2	BOMBILLA 12V 35W/35 (1221)	12V 35W/35 LAMP			L300122	NA	1
3	LÁMPARA 12V15W CASQUETE	12V15W LAMP			L300115	NA	1
4	ULS M6x14 CON ARANDELA	M6X14 ULS SCREW WITH WASHER			T0556014	NA	2
5	ANILLA GUIA LATIGUILLO FRENO DELANTERO	RING FRONT BRAKE HOSE			BT611153013	NA	1
6	TUERCA AUTOBLOCANTE M6 ESTRIADA	M6 NUT			T0556000	NA	1
7	CASQUILLO PULSADOR FRENO DELANTERO	PUSH BUTTON BUSHING			BT613043013	BT613043013	1
8	RETROVISOR	REAR MIRROR			BT29000GG-CKR-1	BT29000GG-CKR-1	2
9	CTO. CARCASA CLAUSOR TRIAL 2002	CTO. CARCASA CLAUSOR TRIAL 2002			BT280210071	BT280210071	1
9A	MUELLE CERRADURA CLAUSOR ZADI TRIAL	CLAUSOR-LOCK SPRING			BT15035GG-AIZ-1	BT15035GG-AIZ-1	1
9B	CERRADURA CLAUSOR TRIAL	TRIAL CLAUSOR-LOCK			BT280210075	BT280210075	1
9C	LLAVES CLAUSOR ZADI	ZADI CLAUSOR KEYS			BT15010GG-AIZ-1	BT15010GG-AIZ-1	1
9D	PIVOTE CLAUSOR	CLAUSOR PIN			BT15015GG-AIZ-1	BT15015GG-AIZ-1	1
9E	ARANDELA MUELLE ZADI PARA CLAUSOR	SPRING-WASHER FOR CLAUSOR			T4003009	T4003009	1
10	INTERMITENTE IZQ. 2006 ref.911107	LEFT INDICATOR			BT280634019/2	BT280634019/2	2
11	INTERMITENTE DRCH. 2006 ref.911106	RIGHT INDICATOR			BT280634018/2	BT280634018/2	2
13	SOPORTE MULTIFUNCION TRIAL 2017	MULTIFUNTION TRIAL SUPPORT 2017			BT22265GG-CJT-1	NA	1
14	TORNILLO ALLEN ULS M5x12	ALLEN BOLT ULS M5x12			T0505012	NA	4
15	MULTIFUNCION TRIAL 2017 (km)	MULTIFUNTION TRIAL 2017 (km)			ET60000CT-CJT-1	NA	1
15A	MULTIFUNCION TRIAL 2017 (Millas)	MULTIFUNTION TRIAL 2017 (Millas)			ET60000CT-CJT-2	NA	1
16	CLAXON	HORN SET			EM20400TT-CLR-1	EM20400TT-CLR-1	1
17	TUERCA AUTOBLOCANTE BAJA M6 (DIN985)	M6 NUT			T2106001	T2106001	1
18	ULS 6X10 C/ARANDELA PLATA	ULS 6X10 BOLT			T0556010	T0556010	1
19	INST.ALARGO PILOTO TRASERO TRIAL PRO HOMOL.2006	EXTENDED ELEC. INSTALLATION REAR LIGHT			BT280634016	BT280634016	1
20	GUARDABARROS TRAS.HOMOL. (WHITE)	HOMOLOGATED REAR MUDGUARD			BT935013013H	BT935013013H	1
21	FARO PILOTO TRASERO	REAR LIGHT			BT93925GG-CJT-1	BT93925GG-CJT-1	1
22	PORTAMATRICULAS TRIAL 2017	NUMBER PLATE SUPPORT			BT93900GG-CKR-1	BT93900GG-CKR-1	3
23	TORNILLO ROSCA CHAPA 4.2X13 ZINCADO CH88	4.2X13 SCREW			T0654213	T0654213	1
27	CURVA ESCAPE TRIAL PRO HOMOL	HOMOLOGATED EXHAUST			BT280626001H	BT280626001H	2



Kit Homologación
Homologated Kit

GASGAS

CONTACT 2017 / 2018
SCHOOL 2017 / 2018



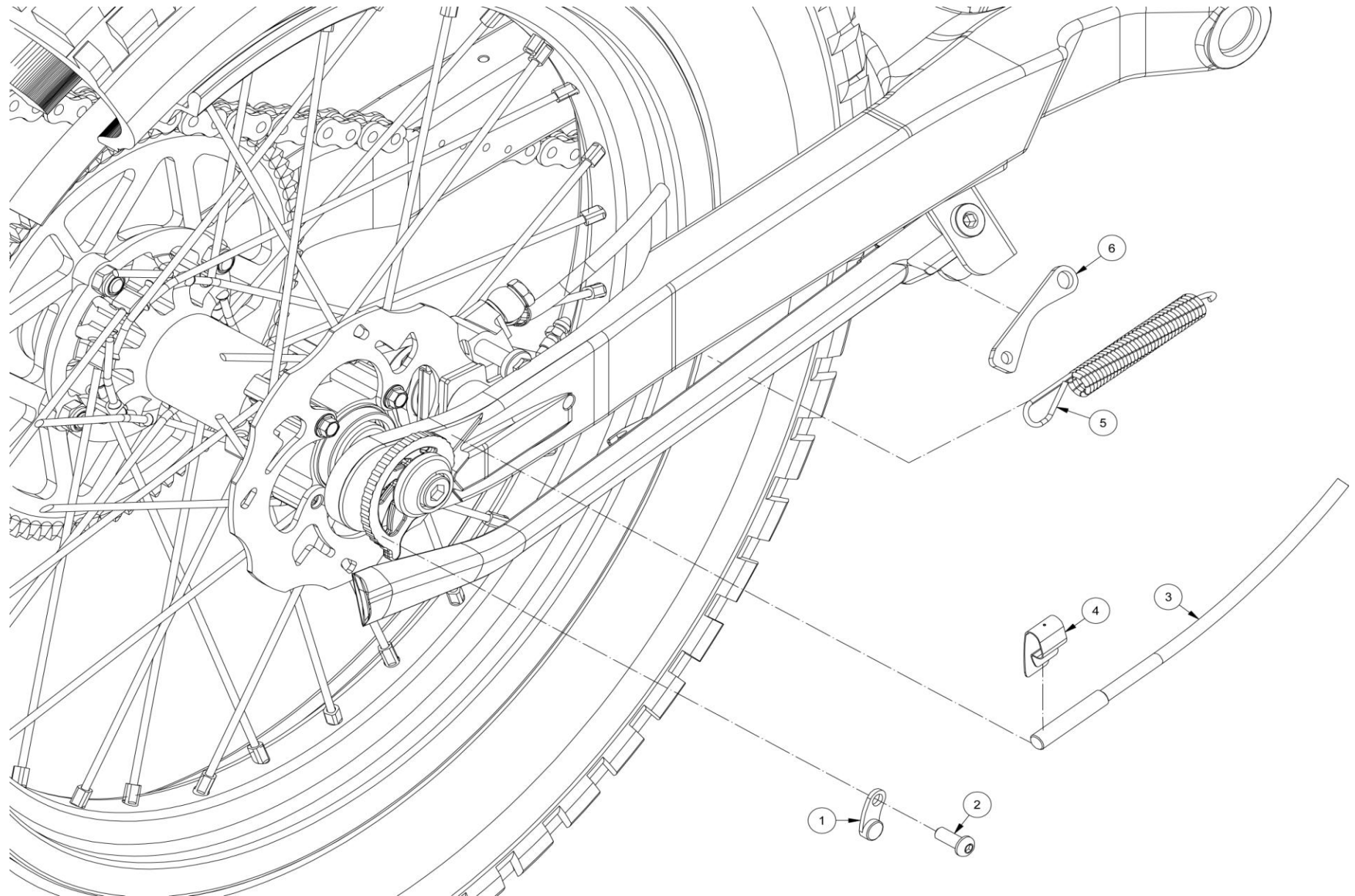
Nº	DESCRIPCION	DESCRIPTION			125	250 / 280 / 300	Cant.
28	ULS M6x12	M6x12 ULS SCREW			T0506012	T0506012	1
29	JUNTA VALVULA AIRE SECUNDARIO TRIAL 2006	SECONDARY AIR VALVE GASKET			BT280626065	BT280626065	1
30	VALVULA AIS 14GH-01AI-00 TRIAL 07 CEX	AIS VALVE			BT280626060	BT280626060	1
31	TUBO AIRE SECUNDARIO DE VALVULA A FILTRO CEX	AIR SECONDARY HOSE			BT280626062	BT280626062	1
32	FILTRO AIRE SECUNDARIO TRIAL PRO 2006 CEX	SECONDARY AIR FILTER			BT280626059	BT280626059	1
35	ESPUMA PILOTO TRASERO	FOAM REAR LIGHT			BE250234058	BE250234058	1
36	BRIDA UNEX	PLASTIC FLANGE			BE25634007	BE25634007	2
37	ELASTICO SUJECCION DEPOSITO	ELASTIC RUBBER TANK SUBJECTION			BE25636000	BE25636000	1
38	RACORD SENSOR FRENO TRASERO	SENSOR REAR BRAKE FITTING			BT662052811	BT662052811	1
40	CARBURADOR DELLORTO 2632 PHBG 21 DS	KIT CARBURETOR THROTTLE LIMITER			BT78000GG-CKR-1	BT78000GG-CKR-1	1
41	CHICLE DE BAJA #33	SLOW JET			M09004033	M09004033	1
42	CHICLE DE ALTA #75	MAIN JET			BT78025GG-CKR-1	BT78025GG-CKR-1	1
43	COMPUERTA CARBURADOR	CARBURETOR DOOR			M09002050	M09002050	1
44	AGUJA W7 CARBURADOR	CARBURETOR NEEDLE			BT78020GG-CKR-1	BT78020GG-CKR-1	1
45	ADAPTADOR TOBERA AIRE	AIR TUBE ADAPTER			BIT050428040	BIT050428040	
46	ADAPTADOR TOBERA ADMISIÓN	IN TAKE TUBE ADAPTER			BT78100GG-CKR-1	BT78100GG-CKR-1	1
47	GATILLO STARTER EN MANILLAR	STARTER TRIGGER ON THE HANDLEBAR			BT25600GG-CKR-1	BT25600GG-CKR-1	1
48	CABLE STARTER	STARTER CABLE			BT25601GG-CKR-1	BT25601GG-CKR-1	1
49	ADHESIVO STARTER	STARTER ADHESIVE			PU00038002	PU00038002	1
50	LAMINA OBSTRUCCIÓN FILTRO AIRE	REED PETAL (AIR FILTER)			BT79800GG-CKR-1	BT79800GG-CKR-1	1
51	REBOSADERO DEPOSITO GASOLINA	FUEL TANK OVERFLOW			BT76050GG-CKR-1	BT76050GG-CKR-1	1
52	TUBO REBOSADERO DEPOSITO DE GASOLINA	FUEL TANK HOSE OVERFLOW			BT76055GG-CKR-1	BT76055GG-CKR-1	1
53	PASACABLES ADHESIVO PARA TUBO GASOLINA REBOSADERO	ADHESIVE CABLE CLAMP			BT280428006	BT280428006	2
54	ADHESIVO PRESION HOMOLOGACIÓN NEUMATICOS	PRESSURE HOMOLOGATION LABEL			BT95255GG-CKR-1	BT95255GG-CKR-1	1
55	CATADRIÓPTICO LATERAL	SIDE REFLECTOR PLATE			BM90210TT-CLR-1	BM90210TT-CLR-1	2
56	SOPORTE IZQUIERDA CATADRIÓPTICO	LEFT REFLECTOR PLATE SUPPORT			BT93930GG-CKR-1	BT93930GG-CKR-1	1
57	SOPORTE DERECHA CATADRIÓPTICO	RIGHT REFLECTOR PLATE SUPPORT			BT93931GG-CKR-1	BT93931GG-CKR-1	1
58	CATADRIÓPTICO TRASERO	REAR REFLECTOR PLATE			BT93915GG-CJT-1	BT93915GG-CJT-1	1
60	KIT HOMOLOGACIÓN CONTACT	HOMOLOGATION SET CONTACT			NA	BT99999CT-CKW-1	1
61	KIT HOMOLOGACIÓN SCHOOL	HOMOLOGATION SET SCHOOL			BT99999CT-CKD-1	NA	1



Kit Homologación
Homologated Kit

GASGAS

CONTACT 2017 / 2018
SCHOOL 2017 / 2018



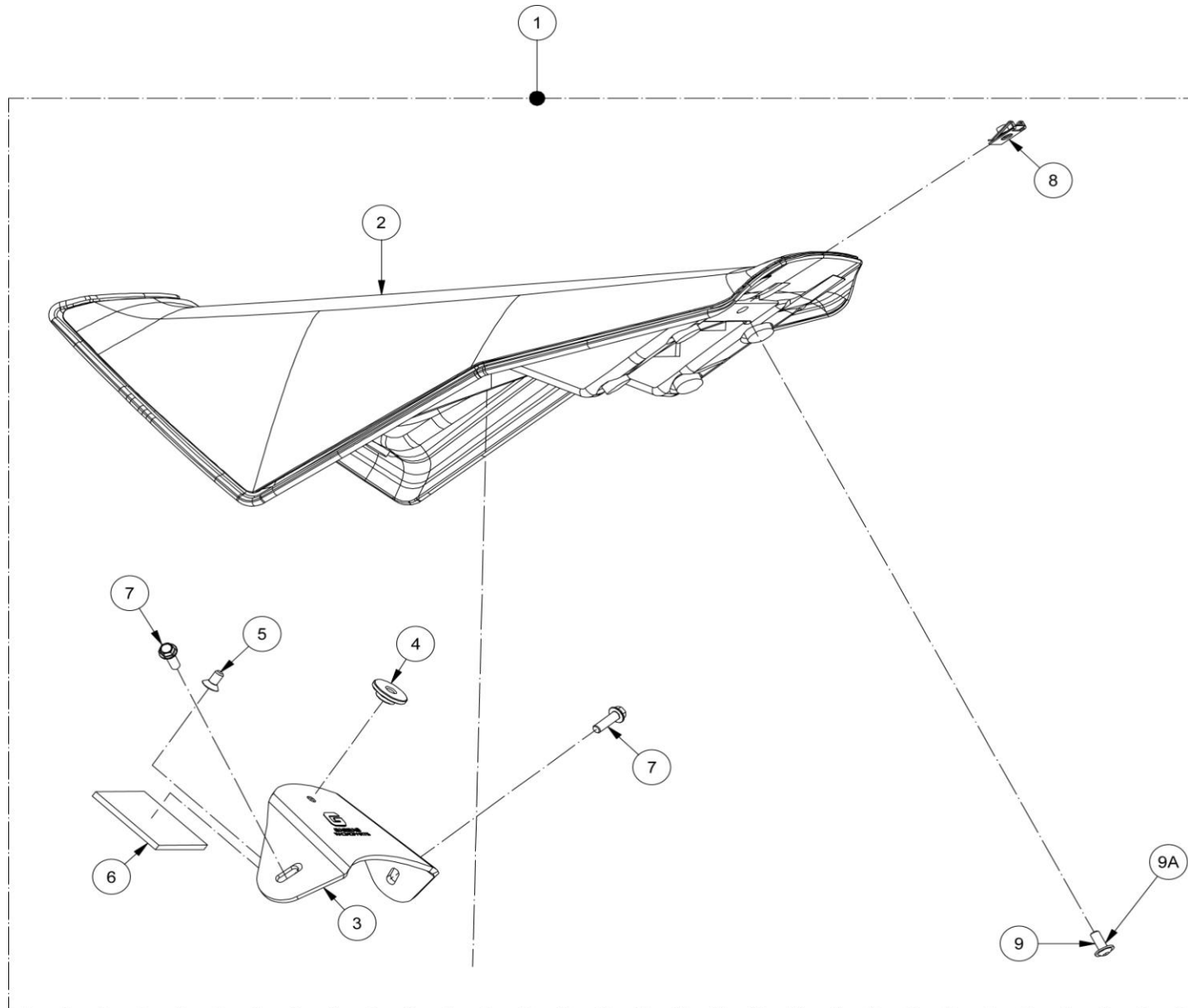
Nº	DESCRIPCION	DESCRIPTION			125	250 / 280	Cant.
1	IMAN CTA.KMS IPLA00300	SPEEDO MAGNET				BT280234012	1
2	ULS 6X16	M6X16 ULS SCREW				T0506016	1
3	GRAPA SUJECION SENSOR CTA. KM. TRIAL 2006	SPEEDO SENSOR CLIP FIXING				BT280634053	1
4	SENSOR CUENTAKILOMETROS RUEDA TRASERA TRIAL	REAR WHEEL SPEEDO SENSOR TRIAL				BT280634050	1
5	MUELLE CABALLETE TRIAL HOMOL.	SPRING STAND TRIAL HOMOL.OGATED				BT280310039H	1
6	EXCENTRICA CABALLETE TRIAL HOMOL.	ECCENTRIC HOMOLOGATED STAND TRIAL				BT280312025H	1
7	TORNILLO ALLEN M8X14	ALLEN SCREW M8X14				T0308014	1

Homo 1

2H

GASGAS

Homo 2



Nº	DESCRIPCION	DESCRIPTION				250	Cant.
1	CONJUNTO ASIENTO	SEAT SET				RP94000CT2514	1
2	ASIENTO	SEAT SET				BPS940001211	1
3	SOPORTE ASIENTO	SEAT SUPPORT				RP940202514	1
4	CASQUILLO FIJADOR ASIENTO	SEAT CLAMP CAP				RP940802514	1
5	TORNILLO ALLEN CONICO M6x12	ALLEN SCREW M6x12 CONICO				T0406012	1
6	PROTECTOR	PROTECTOR				RP172102514	1
7	TORNILLO CABEZA HEXAGONAL M6x20	M6X20 HEXAGONAL SCREW				T0206020	2
8	GRAPA RAPIDA M6	M6 CHIMNEY NUT				T2606000	1
9	TORNILLO ALLEN CONICO M6x16	M6x16 TAPERED ALLEN SCREW M6x16				T0406016	1
9A	REMACHE EMBELLECEDOR NEGRO	BLACK RIVET				T4503270	1

3H

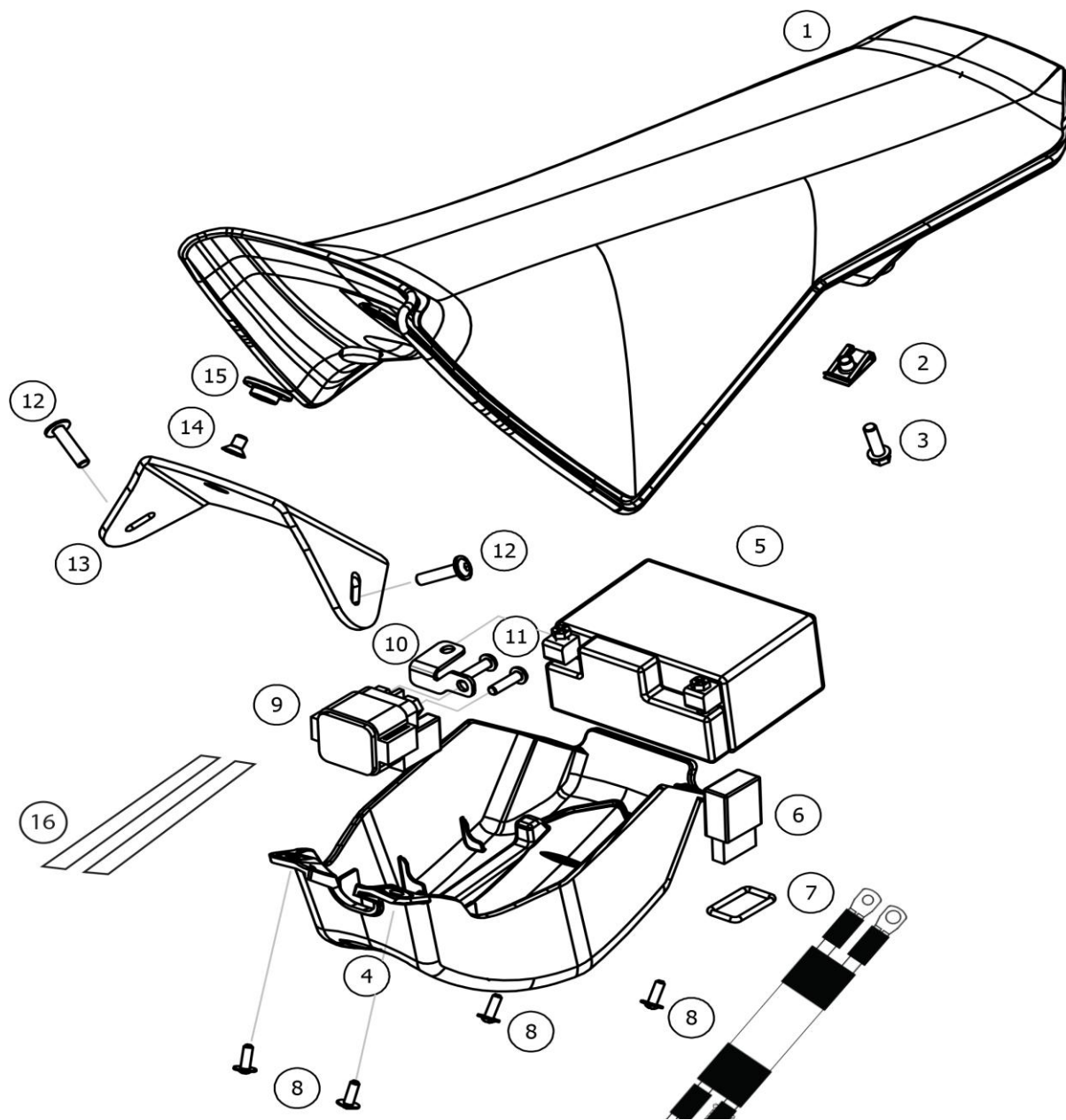
GASGAS

Homo 3

Kit arranque eléctrico
Electric start kit

GASGAS

CONTACT 2017 / 2018
SCHOOL 2017 / 2018



Nº	DESCRIPCION	DESCRIPTION			125	250 / 280	Cant.
1	ASIENTO RANDONNE	RANDONNE SEAT				BPS940001211	1
2	GRAPA M6	M6 CRAMP				T2606000	1
3	TORNILLO HEXAGONAL CON ARANDELA M6x20	HEXAGONAL SCREW WITH WASHER				T0206020	1
4	CAJA BATERÍA	BATTERY BOX				ET41000GG-CKW-1	1
5	BATERÍA LITIO	LITHIUM BATTERY				ET40000GG-CKW-1	1
6	DIODO	DIODE				ET80060GG-CKW-1	1
7	TÓRICA NBR DIAM. 18x3	NBR DIAM. 18x3 O-RING				MFS 4001 26566	1
8	TORNILLO ROSCA PLÁSTICO NEGRO 4,5x14	BLACK PLASTIC SCREW 4,5x14				BE 2504 20063	4
9	RELÉ ARRANQUE	REALASE START				BFS 4001 34075/2	1
10	PLATINA POSITIVO BATERÍA - RELÉ	BATTERY POSITIVE PLATINUM - RELAY				ET40010GG-CKW-1	1
11	TORNILLO ULS ALLEN M5x20	ALLEN SCREW ULS M5x20				T0505020	2
12	TORNILLO ULS ALLEN CON ARANDELA M6x25	ALLEN SCREW ULS M6x25				T0556025	2
13	SOPORTE SILLÍN	SEAT SUPPORT				RP-94020-2514	1
14	TORNILLO ALLEN AVELLANADO M6x10	ALLEN SCREW M6x10				T0406010	1
15	CASQUILLO SOPORTE SILLÍN	SEAT CAP SUPPORT				RP-94080-2514	1
16	ESPUMA BATERIA	BATTERY FOAM				BT18025GG-CKW-1	2
17	CTO. CABLES POTENCIA	POWER CABLE KIT				ET40110GG-CKW-1	1

4H



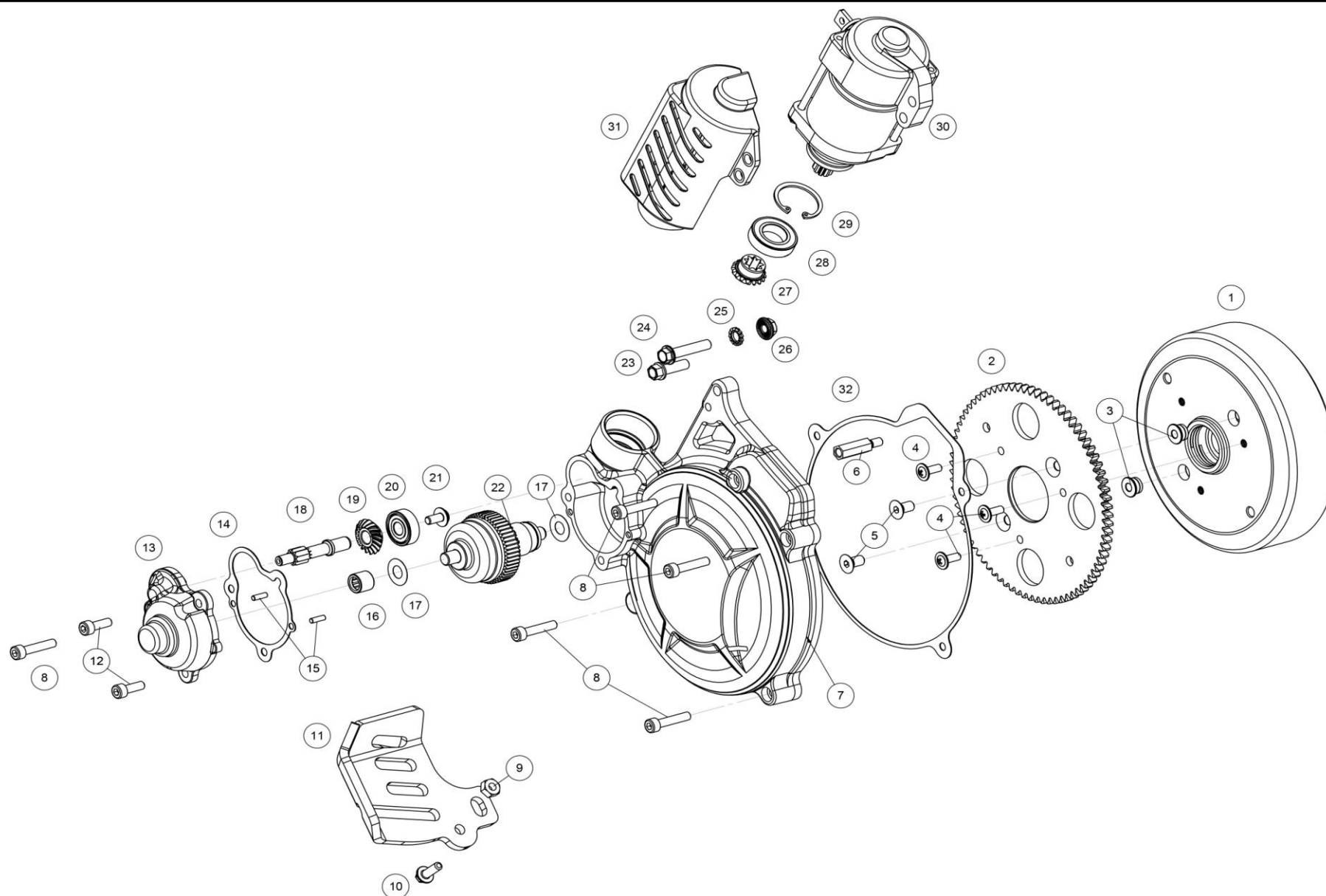
GASGAS

Homo 4

Kit arranque eléctrico
Electric start kit

GASGAS

CONTACT 2017 / 2018
SCHOOL 2017 / 2018



Nº	DESCRIPCION	DESCRIPTION	125	250 / 280	Cant.
1	VOLANTE DE ENCENDIDO	IGNITION FLY-WHEEL		ET70000CT-CKW-1	1
2	RODILLO ENCENDIDO	IGNITION SPROKET		ET82000GG-CKW-1	1
3	CASQUILLO ROSCADO VOLANTE INERCIA	INERTIA FLYWHEEL THREADED CAP		MT75055GG-CKW-1	2
4	TORNILLO TORX M5x8	TORX SCREW M5x8		T0455008	3
5	TORNILLO CONICO HEXAGONAL M6x12	BOLT CONIC HEXAGONAL M6x12		T0406012	2
6	ESPIGA FIJA PICK-UP	PICK-UP FIXED COUNTER		ET70220GG-CBN-1	1
7	TAPA ARRANQUE ELECTRICO	ELECTRIC START IGNITION COVER		MT60100GG-CKW-1	1
8	TORNILLO ALLEN M5x25	BOLT ALLEN M5x25		T0305025	5
9	TUERCA M5	NUT M5		T2005000	1
10	TORNILLO HEXAGONAL M5x15	BOLT HEXAGONAL HEAD M5x15		T0205015	1
11	PROTECTOR ARRANQUE ELÉCTRICO	ELECTRIC START GUARD		BT11515GG-CKW-1	1
12	TORNILLO ALLEN M5x15	BOLT ALLEN M5x15		T0305015	2
13	TAPA BENDIX TRIAL Z10	BENDIX TRIAL COVER Z10		ET80130GG-CKW-1	1
14	JUNTA TAPA BENDIX	GASKET BENDIX COVER		ET80135GG-CKW-1	1
15	AGUJA DIAM. 3x9,8	NEEDLE DIAM. 3x9,8		EE80140GG-CBR-1	2
16	RODAMIENTO DE AGUJAS HK0810	HK0810 NEEDLES BEARING		MFS400126021	1
17	ARANDELA DIAM. 8x17x0,2	WASHER DIAM. 8x17x0,2		ME 256 16070	2
18	ARBOL DE ENGRANAGES ELECTRICOS Z10	ELECTRIC START GEAR SHAFT Z10		EE80120GG-CBR-4	1
19	ENGRANAJE CÓNICO HELICOIDAL	HELICOIDAL CONIC GEAR		EE80117GG-CBR-1	1
20	COJINETE DE BOLAS 608-2Z-C4	BALL BEARING 608-2Z-C4		ME 256 16032	1
21	TORNILLO ULS TORX M5x10	BOLT ULS TORX M5x10		T0505010I	1
22	BENDIX ASSY	BENDIX ASSY		EE80110CT-CKW-1	1
23	TORNILLO HEXAGONAL M6x20	BOLT HEXAGONAL HEAD M6x20		T0206020	1
24	TORNILLO HEXAGONAL M6x30	BOLT HEXAGONAL HEAD M6x30		T0206030	1
25	ARANDELA DIN 6798/A	WASHER DIN 6798/A		T4006040	1
26	TUERCA CON ARANDELA M6 (DIN 6923)	NUT WITH WASHER M6 (DIN 6923)		T2206000	1
27	ENGRANAJE CÓNICO HELICOIDAL	HELICOIDAL CONIC GEAR		EE80116GG-CBR-1	1
28	COJINETE DE BOLAS 61902-2Z-C4	BALL BEARING 61902-2Z-C4		EE80070GG-CBR-1	1
29	SEEGER DIN 472 DIAM.28x1,2	SEEGER DIN 472 DIAM. 28x1,2		EE80055GG-CBR-1	1
30	MOTOR ARRANQUE MORIC	MORIC STARTER MOTOR		EE80000GG-CBR-2	1
31	TAP PROTECTOR ARRANQUE	TAP PROTECTOR START		EE85100GG-CLJ-1	1
32	JUNTA TAPA ARRANQUE	STARTER COVER GASKET		MT 2803 44004	1

5H



GASGAS

Homo 5