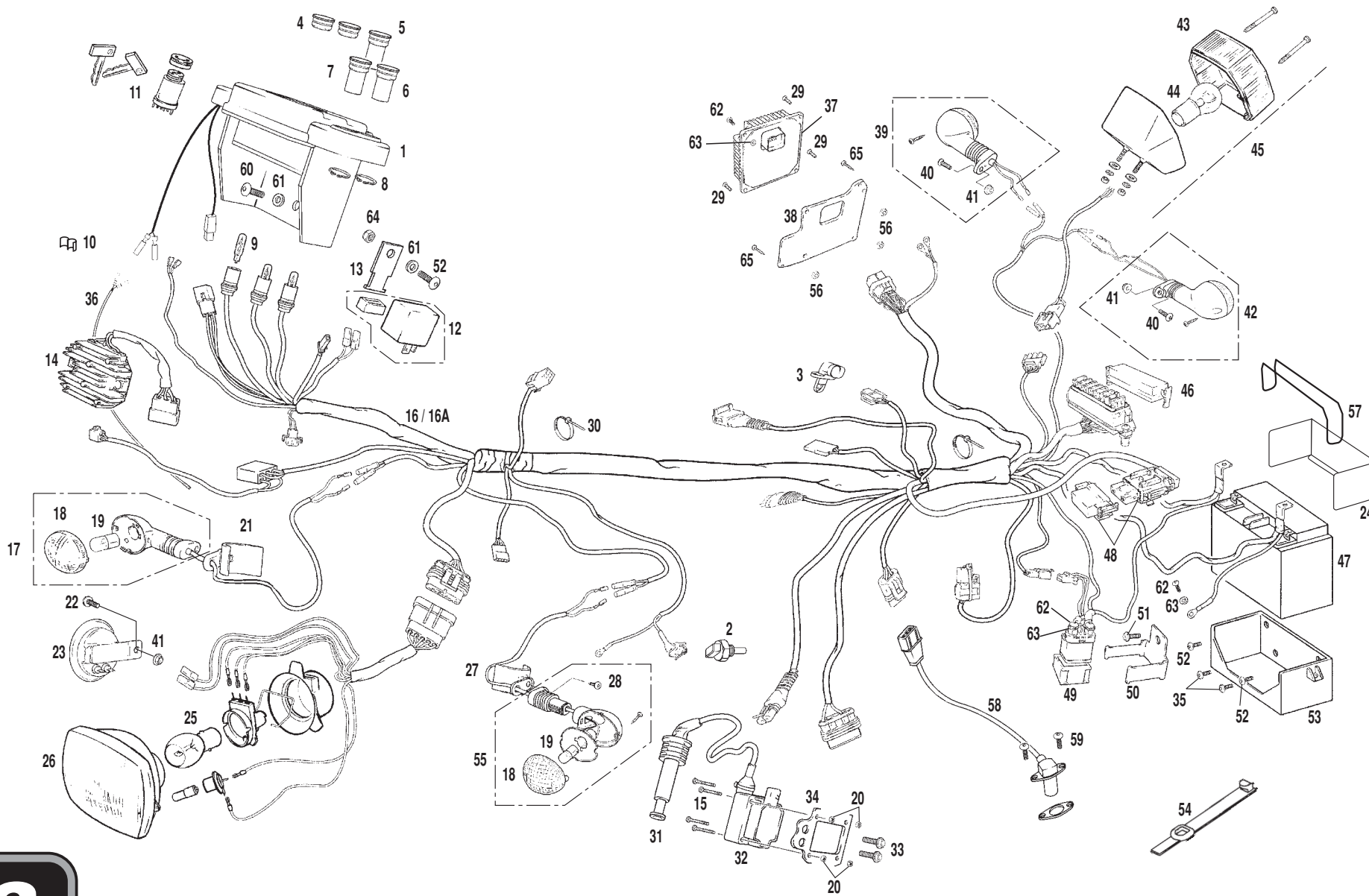


Nº	DESCRIPCION / DESCRIPTION	EC FSE 2003	SM FSE 2003	Cant.
1	JUEGO DE EMPUÑADURAS / HANDLEBAR GRIP (PAIR)	BE250236002		1
2	PUÑO DE GAS / TWIST GRIP	BFS450324007		1
3	CABLE DE GAS / THROTTLE CABLE	BFS400124008		1
4	MANILLAR COMPLETO / STEERING HANDLEBAR SET	BE250224001		1
5	TAPA BOMBA FRENO / BRAKE PUMP COVER	BC25922210		1
6	TORNILLO TAPA BOMBA / BRAKE PUMP SCREW	BC25922217		2
7	GOMA ANTIESPUMANTE / NO-FOAM RUBBER	BC25922216		1
8	TORNILLO ESPECIAL / SPECIAL SCREW	BC25922212		1
9	MANETA FRENO DELANTERO / FRONT BRAKE LEVER	BC250022045	BE250122045SM	1
10	SENSOR MANETA BOMBA / PUMP LEVER SENSOR	BC25922218		1
11	GUARDAPOLVO / DUST COVER	BC25922213		1
12	CASQUILLO SILENTBLOCK SILENCIADOR / EXHAUST SILENTBLOCK BUSHING		BE250026000	1
13	ARANDELA LATIGUILLO 10X14X1 / 10X14X1 HOSE WASHER	BE25622007		3
14	LATIGUILLO FRENO DELANTERO / FRONT BRAKE HOSE	BE250022002	BE250222002SM	1
15	INTERRUPTOR 23.024/1 STOP BOMBA NISSIN / NISSIN PUMP STOP 23.024/1 SWITCH	BE250034003/2	BE250134003SM	1
16	BRIDA SUJECCION MANILLAR INFERIOR / HANDLEBAR CLAMP (LOWER)	BE25814013		2
17	KIT PISTON BOMBA FRENO "A" / "A" BRAKE PUMP PISTON KIT	BC25922219		1
19	CONMUTADOR ARRANQUE / STARTING COMMAND	BFS400134027		1
18	HEXAGONAL 10X40 / 10X40 HEXAGONAL BOLT	T0110040		2
20	TUERCA AUTOBLOCANTE BAJA M10 CON ARANDELA / M10 SELF-LOCKING NUT	T2210000		2
21	CONMUTADOR LUZ / LIGHT SWITCH	BFS400134001		1
22	LATIGUILLO EMBRAGUE / CLUTCH HOSE	BE25622003		1
23	DEPÓSITO LIQUIDO FRENOS SM / SM BRAKE FLUID TANK		BE250110016SM	1
24	TORNILLO REGULACIÓN MANETA / ADJUSTING LEVER SCREW	BT27922046		1
25	SOPORTE BOMBA EMBRAGUE / CLUTCH PUMP CLAMP	BE250022211		1
26a	MANETA EMBRAGUE CORTA / SHORT CLUTCH LEVER	BT27922040		1
26b	MANETA EMBRAGUE LARGA (SERIE) / LONG CLUTCH LEVER (STANDARD)	E200701		1
27	TUERCA M6 BAJA / M6 LOW NUT	T2006001		1
28	BOMBA EMBRAGUE HIDRÁULICO / HYDRAULIC CLUTCH PUMP	BE250022009		1
29	KIT TAPA BOMBA FRENO Y EMBRAGUE / CLUTCH AND BRAKE PUMP COVER KIT	BT27722210		1
30	ESPEJO RETROVISOR / REAR-VIEW MIRROR	L300760		1
31	BRIDA SUJECCIÓN MANILLAR SUPERIOR / HANDLEBAR CLAMP (UPPER)	BE25814012		2
32	TORNILLO SUJECCIÓN BRIDA MANILLAR 8X30 / 8X30 CLAMP SCREW	T0308030		4

N°	DESCRIPCION / DESCRIPTION	EC FSE 2003	SM FSE 2003	Cant.
33	BOMBA FRENO DELANTERO / FRONT BRAKE PUMP	BC25922008/2		1
34	KIT REPARACIÓN / REPARATION KIT	R346000	BE250122008SM	1
35	TUBO LÍQUIDO FRENO A BOMBA / BRAKE TO PUMP LIQUID HOSE		BFS400310116SM	1
36	BRIDA GRANDE / BIG CLAMP	BC25922211		2
37	BRIDA PEQUEÑA / LITTLE CLAMP	BE25634010		1
38	TENSOR CABLE GAS / THROTTLE CABLE TENSOR	BFS400124012		1
39	TUERCA TENSOR / TENSOR NUT	BFS400124013		1
40	ARANDELA 3.5X30X10 / 3.5X30X10 WASHER	BE250314035		4

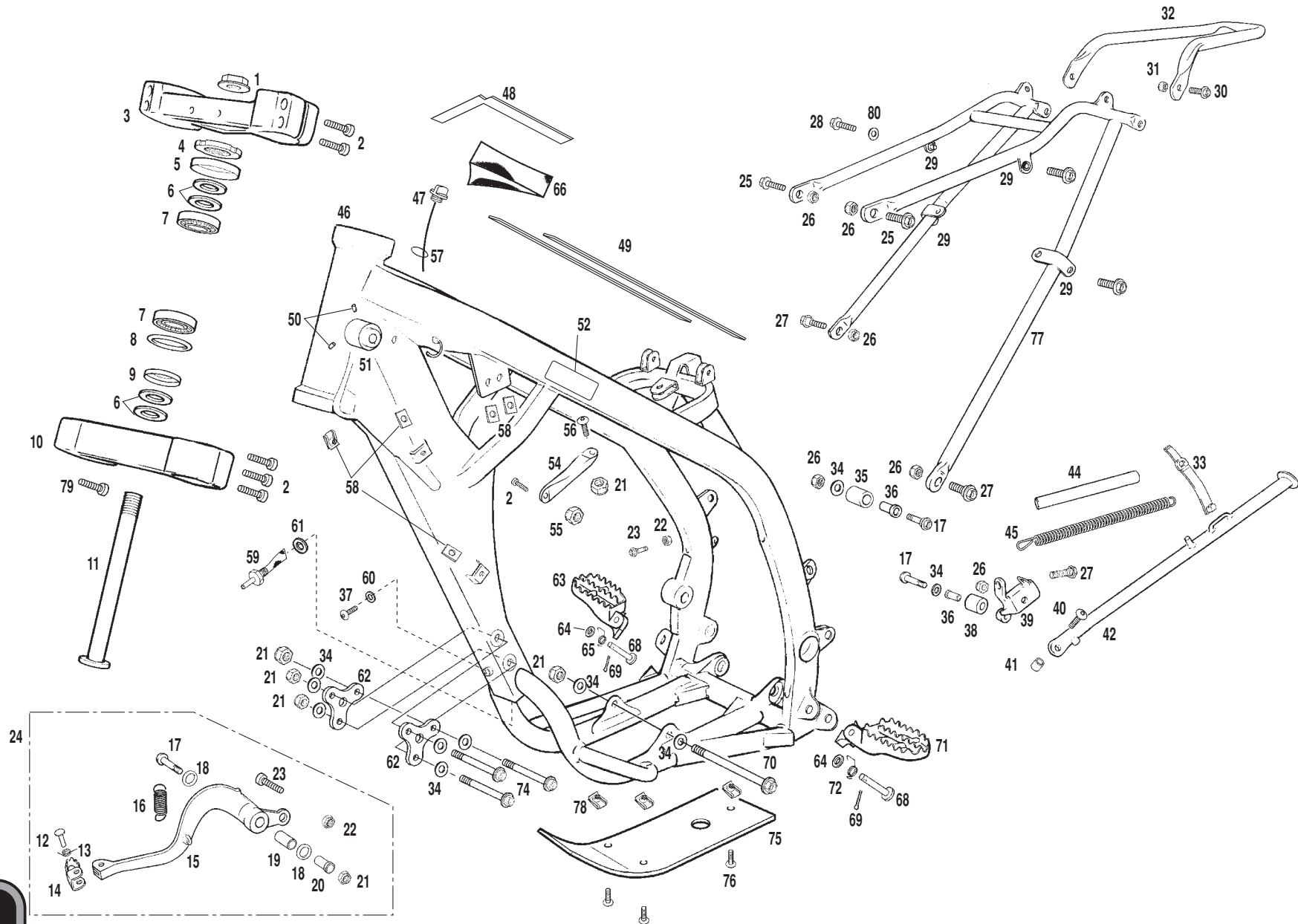


N°	DESCRIPCION / DESCRIPTION	FSE 400 cc.	FSE 450 cc.	Cant.
1	CTO. MULTIFUNCIÓN ENDURO 2003 FSE / 2003 ENDURO MULTIFUNCTION	BFS400334045		1
2	SENSOR AGUA / WATER SENSOR	MFS400180004		1
3	SENSOR AIRE / AIR SENSOR	MFS400180003		1
4	TAPÓN TESTIGO NEGRO / BLACK LIGHT CAP	BE250134043		2
5	TESTIGO LUZ INTERMITENTE / INDICATOR LIGHT	BE250134036		1
6	TESTIGO LUZ POSICIÓN / SHORT LIGHT INTICATOR	BE250134037		1
7	TESTIGO LUZ LARGA / LONG LIGHT INDICATOR	BE250134038		1
8	CLIP TESTIGO / LIGHT CLIP	BE250134042		5
9	BOMBILLA 12V1,2-9W / BULB 12V1.2-9W	L300123		4
10	PASACABLES CTA. KM. ENDURO 2003 / CABLE PASS SPEED COUTER	BE250334053		2
11	CERRADURA CONTACTO CIERRE FSE450-2003 / CONTACT LOCK WITH CATCH	BFS450334032		1
12	CAJA INTERMITENCIAS / INTERMITENT BOX	BS25734055		1
13	SOPORTE CAJA INTERMITENCIAS / INTERMITENT BOX SUPPORT	BFS400134057		1
14	REGULADOR / REGULATOR	MFS400134009		1
15	ALLEN 3X25 / 3X25 ALLEN BOLT	T0310322		4
16	INSTALACION ELECTRICA FSE / ELECTRICAL INSTALLATION		MFS450380104	1
16A	INSTALACION ELECTRICA RACING FSE / ELECTRICAL INSTALLATION RACING		MFS450380104R	1
17	INTERMITENTE DERECHO DELANTERO / RIGHT FRONT INDICATOR	BE250134018		1
18	TAPA INTERMITENTE / INDICATOR COVER	BE250134120		4
19	BOMBILLA / LAMP	L200118		4
20	TUERCA M3 AUTOBLOCANTE / SELF-LOCKING NUT M3	T2103002		4
21	SOP. INTERMITENTE DELANTERO DERECHO / RIGHT FRONT INDICATOR HOLDER	BE250134017		1
22	TORNILLO 6X20 / 6X20 SCREW	T0706020		1
23	CLAXON / HORN	BIE500134020		1
24	ESPUMA FIJACION CAJA BATERIA FSE400-4T / BATTERY FOAM	BFS400134091		1
25	BOMBILLA 12V45- 45W / 12V45 – 45W BULB	L300124		1
26	OPTICA NORMAL / STANDARD OPTIC	BE250220024		1
27	SOP. INTERMITENTE DELANTERO IZQUIERDO / LEFT FRONT INDICATOR HOLDER	BE250134020		1
28	TORNILLO CHAPA 6,3X16 / SPECIAL SCREW	T0706316		2
29	ULS 5X16 / 5X16 ULS BOLT	T0505016		3
30	BRIDA UNEX 4,8X36 / UNEX CLAMP 4.8X36	BE25634007		2
31	PIPA BUJIA / SPARK PLUG CAB	BFS400134000		1
32	BOBINA / IGNITION COIL	MFS400180006		1

Nº	DESCRIPCION / DESCRIPTION	FSE 400 cc.	FSE 450 cc.	Cant.
33	TORNILLO ESPECIAL 6X16 / 6X16 SPECIAL SCREW	T0206016		2
34	SOPORTE BOBINA / IGNITION COIL SUPPORT	BFS400310941		1
35	ULS 6X14 / 6X14 ULS BOLT	T0556014		2
36	CABLE MULTIFUNCION TT 2003 / MULTIFUNCTION CABLE	BE250334050		1
37	CENTRALITA / SWITCHBOARD	MFS400180001	MFS450380001	1
38	SOPORTE CENTRALITA / SWITCHBOARD SUPPORT	BFS400134108/2		1
39	INTERMITENTE DERECHO TRASERO / RIGHT REAR INDICATOR	BE250134021		1
40	ULS 6X16 NEGRO / 6X16 BLACK ULS	T0506016N		2
41	TUERCA CON ARANDELA M6 / M6 NUT WITH WASHER	T2206002		3
42	INTERMITENTE IZQUIERDO TRASERO / LEFT REAR INDICATOR	BE250134022		1
43	CRISTAL FARO TRASERO / REAR LIGHT CAP	BP25734015		1
44	BOMBILLA 12V5-21W / 12V5-21W BULB	L300116		1
45	PILOTO TRASERO EC2002 / EC2002 REAR LIGHT	BE250234015		1
46	TAPA CAJA FUSIBLES / FUSE BOX CAP	MFS400180114		1
47	BATERIA EC400-4T / EC400 4T BATTERY	BFS400134080/3		1
48	FUSIBLE 30A / 30A FUSE	MFS400180113		1
49	RELE ARRANQUE / STARTING RELAY	BFS400134075/2	BFS400134075/2	1
50	SOPORTE RELE ARRANQUE / STARTING RELAY SUPPORT	BFS400334076		1
51	TORNILLO ROSCA-CHAPA / SET THREAD SCREW	T06035013		1
52	TORNILLO ULS 6X12 / 6X12 ULS SCREW	T0556012		3
53	CAJA BATERIA EC400-4T / BATTERY BOX	BFS400134083		1
54	GOMA SUJECCION CDI / CDI ELASTIC BAND	BE250034100		1
55	INTERMITENTE IZQUIERDO DELANTERO / LEFT FRONT INDICATOR	BE250134019		1
56	TUERCA M5 BAJA AUTOBLOCANTE / SELF-LOCKING M5 NUT	T2105001		3
57	TORICA TAPA F.114X4 / F114X4 COVER O'RING	P270100		1
58	SENSOR GIRO / TURN SENSOR	MFS400180005		1
59	ULS 5x9 / 5x9 ULS BOLT	T0505009		2
60	ULS 6X16 / 6X16 ULS BOLT	T0506016		1
61	ARANDELA 6X18X1,5 / 6X18X1,5 WASHER	T4006018		2
62	TORNILLO ULS 6X10 / 6X10 ULS BOLT	T0506010		4
63	ARANDELA 6X12X1,5 / 6X12X1,5 WASHER	T4006012		4
64	TUERCA M6 AUTOBLOCANTE BAJA / LOWER M6 SELF-LOCKING NUT	T2106000		1
65	TORNILLO ROSCA-CHAPA 4,8X13 / 4,8X13 SCREW	T0606013		2

Nº	DESCRIPCION / DESCRIPTION	EC-FSE 2003	SM-FSE 2003	Cant.
1	CTO. FARO DELANTERO GRANADA 2001 / GRANADA 2001 FRONT HEADLAMP	BE250320020	BE250120020SM	1
2	OPTICA NORMAL / STANDARD LAMP	BE250220024		1
3	GOMA SUJECCIÓN FARO / HEADLAMP ELASTIC BAND	BE25636015		4
4	FARO DELANTERO GRANADA 2001 / FRONT HEADLAMP GRANADA20001	BE250320020	BE250120020SM	1
5	TAPETA GUÍA FARO / HEADLAMP GUIDE COVER	BX250120023	BE250120023SM	1
6	TORNILLO ROSCA CHAPA 4,8X13 / SCREW 4,8X13	T0606013		4
7	TAPA LAT. RADIADOR DERECHO FSE 4T / FSE 4T RIGHT SIDE RADIATOR COVER	BFS400320012	BFS400120012SM	1
8	PORTAMATRICULA COMPETICIÓN / RACING LICENSE PLATE HOLDER	BE250121003		1
9	TORNILLO ESPECIAL 6X16 ZINCADO / ZINC-TREATED SPECIAL SCREW 6X16	T0206016		4
10	CASQUILLO TAPA RADIADOR ALUMINIO / ALUM. RADIATOR COVER BUSH	BE250032060		9
11	REMACHE 14X4 / 14X4 RIVET	BE25610017		4
12	CASQUILLO GUARDABARROS CON VOLONA / FRONT FENDER BUSHING	BE250014118		3
13	CASQUILLO GUARDABARROS DELANTERO / FRONT FENDER BUSHING	BE25714118		1
14	SILLIN / SEAT	BE250310015	BE250110015SM	1
15	TORNILLO ESPECIAL 6X20 / 6X20 SPECIAL SCREW	T0206020		3
16	PORTA NÚMERO LATERAL DERECHO / RIGHT SIDE COVER	BE250320004	BE250320004SM	1
17	GUARDABARROS TRASERO / REAR FENDER	BFS400320007	BFS400120007SM	1
18	PORTAMATRICULA TRASERO EC2001 / REAR LICENSE PLATE HOLDER	BE250120003		1
19	PORTANÚMERO LATERAL IZQUIERDO / LEFT SIDE COVER	BE250320005	BE250320005SM	1
20	TAPA LAT. RADIADOR IZQUIERDO FSE 4T / FSE 4T LEFT SIDE RADIATOR COVER	BFS400320013	BFS400120013SM	1
21	GUARDABARROS DELANTERO EC2003 / EC2003 FRONT FENDER	BE250320006	BE250120006SM	1
22	TORNILLO ESPECIAL M6X25 / M6X25 SPECIAL SCREW	T0606025		4
23	TORNILLO PHILIPS M6X25 / M6X25 PHILIPS SCREW	T0706025		2
24	TUERCA AUTOBLOCANTE ALTA M6 / M6 SELF-LOCKING NUT	T2106002		2
25	TOPE GOMA PLACA LATERAL / SIDE COVER RUBBER END	BE250020104		2
26	ARANDELA NYLON 6,5X16X1 / 6.5X16X1 NYLON WASHER	T06065017		4
27	FUNDA SILLIN / SEAT COVER	BE250310055	BE250110015SM	1
28	SOPORTE SILLIN DERECHO ALUMINIO / RIGHT ALUM. SEAT HOLDER	BFS400310019		1
29	SOPORTE SILLIN IZQUIERDO ALUMINIO / LEFT ALUMINUM SEAT HOLDER	BFS400310020		1
30	CIERRE RÁPIDO / FAST LOCKING	BE250128026		1
31	TORNILLO CIERRE RÁPIDO / FAST-LOCKING SCREW	BE250128027		1
32	TORNILLO ROSCA CHAPA 3.5X13 / 3,5X13 SCREW	T0603513		4

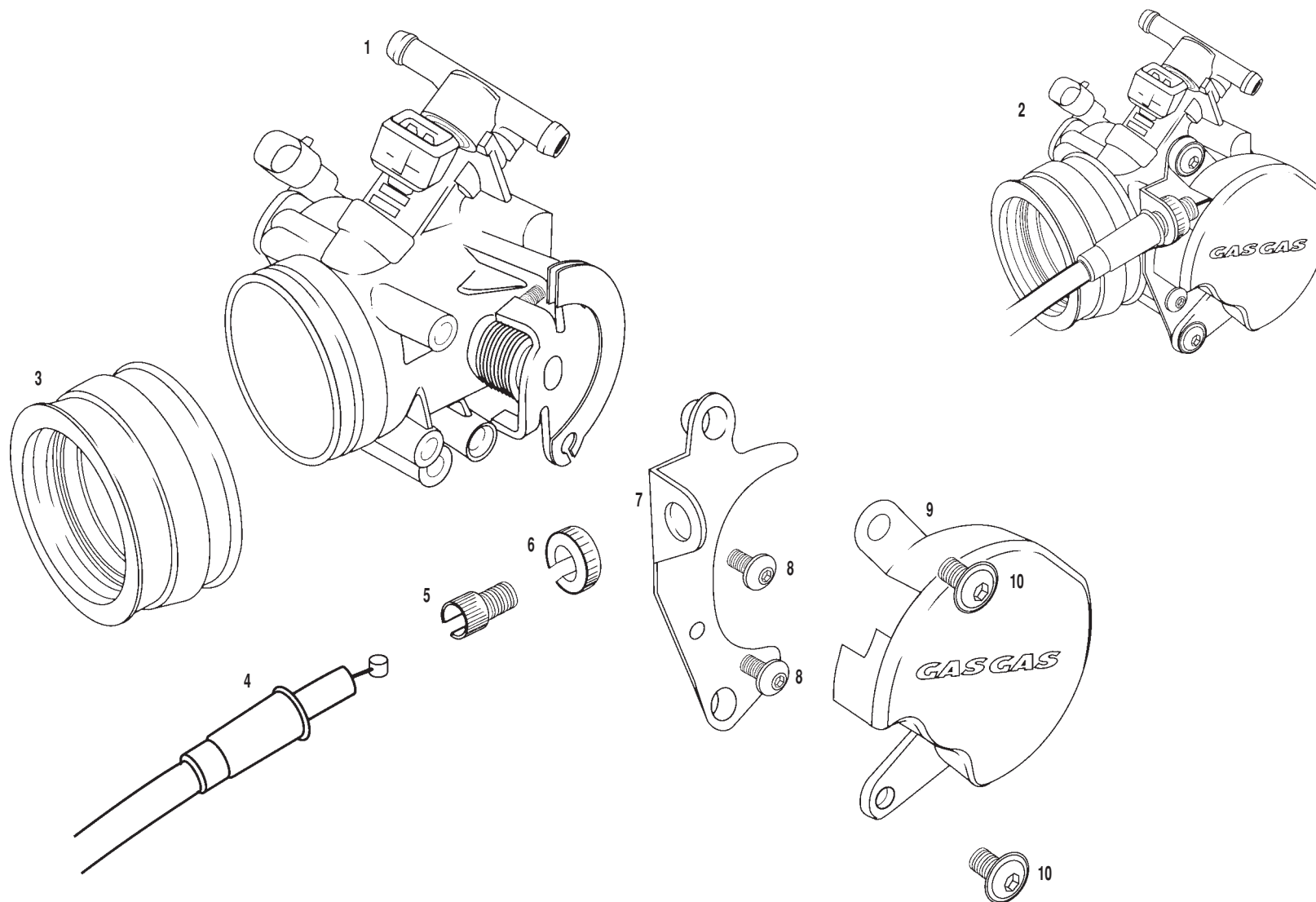
N°	DESCRIPCION / DESCRIPTION	FSE 2003	Cant.
34	JUEGO PARAMANOS HP20 / HANDS-PROTECTOR SETMUELLE TORNILLO	BTL400220034GC	1
35	REGULADOR OPTICA / SCREW REG. LAMP SPRING	BX250020026	1
36	SOPORTE FARO GRANADA / GRANADA BASE LAMP	BX250020027	1
37	GRAPA REGULADOR FARO GRANADA / LAMP REGULATION NUT	BX250020029	1
38	ALLEN REGULADOR OPTICA / LAMP REGULATION ALLEN BOLT	T0304035	1
39	TUERCA TORNILLO REGULADOR OPTICA / SCREW LAMP REGULATION WASHER	T2004000	1
40	TIRANTE GUARDABARROS DELANTERO / FRONT FENDER BRACE	BE250220039	1
41	TORNILLO ULS 6X20 / 6X20 SCREW	T0506020	3
42	TUERCA M6 CON ARANDELA ESTRIADA / M6 NUT WITH WASHER	T2206000	1
43	TAPA LATERAL CAJA FILTRO / AIR FILTER SIDE COVER	BE250128025	1
44	ARANDELA 5X12X1,5 / 5X12X1,5 WASHER	T4005012	1
45	ARANDELA NYLON 4X14X1 / 4X14X1 NYLON WASHER	T6004141	3
46	JUNTA ESPUMA TAPA CAJA FILTRO / AIR FILTER COVER GASKET	BE250228031	1
47	GUÍA CABLE / CABLE GUIDE	BE25720016	1
48	ANILLA NEGRA / BLACK O'RING	BE25920053	1
49	TORNILLO ESPECIAL 6X25 / 6X25 SPECIAL SCREW	T0206025	2
50	TORNILLO ROSCA-CHAPA 3X9 / 3X9 SCREW	T1003009	2



Nº	DESCRIPCION / DESCRIPTION	FSE 2003	Cant.
1	TUERCA DIRECCIÓN / STEERING SHAFT NUT	BE25610030	1
2	ALLEN 7X30 / 7X30 ALLEN BOLT	T0307030	10
3	BRIDA SUPERIOR SUSPENSIÓN CROSS / CROSS FORK CLAMP (UPPER)	BC250014001	1
4	TUERCA DIRECCIÓN INFERIOR / LOWER STEERING SHAFT NUT	BE25610029	1
5	GUARDAPOLVO COJINETE DIRECCIÓN / BEARING DUST COVER	BE25610126	1
6	ARANDELA DIRECCIÓN / STEERING WASHER	BE25610028	4
7	COJINETE DIRECCIÓN / STEERING BEARING	BE25610008	2
8	TORICA DIRECCIÓN 50X5 / 50X5 STEERING O'RING	BE25610012	1
9	CAZOLETA DIRECCIÓN / STEERING CAP	BE25610026	1
10	BRIDA INFERIOR SUSPENSIÓN CROSS / CROSS FORK CLAMP (LOWER)	BC250214002	1
11	TIJA DIRECCIÓN / STEERING SHAFT	BE25614003	1
12	PASADOR PUNTERA DIN 660 6X22 / DIN 660 6X22 BRAKE PIN	BE25922018	1
13	MUELLE PUNTERA PEDAL RETRÁCTIL / BRAKE PEDAL END SPRING	ME25636029	1
14	PUNTERA PEDAL FRENO EC4T / EC4T BRAKE PEDAL END	BT27922017	1
15	PEDAL FRENO / BRAKE PEDAL	BE250022016	1
16	MUELLE PEDAL FRENO / BRAKE PEDAL SPRING	BE25610023	1
17	TORNILLO ESPECIAL 8X45 / 8X45 SPECIAL SCREW	T0208045	3
18	TORICA PEDAL / PEDAL O'RING	ME25610026	2
19	GLACIER PEDAL FRENO / BRAKE PEDAL BEARING	BE250010009	1
20	CASQUILLO SOPORTE PEDAL FRENO / BRAKE PEDAL SUP. BUSHING	BE250210916	1
21	TUERCA AUTOBLOCANTE CON ARANDELA M8 / M8 SELF-LOCKING NUT	T2208002	1
22	TUERCA HEXAGONAL M6 BAJA / M6 LOW HEXAGONAL BOLT	T2106001	2
23	HEXAGONAL 6X25 / 6X25 HEXAGONAL SCREW	T0106025	2
24	CTO. PEDAL FRENO / BRAKE PEDAL SET	BFS400322016CT	1
25	TORNILLO ESPECIAL 8X25 / 8X25 SPECIAL SCREW	T02080255	2
26	TUERCA AUTOBLOCANTE M8 BAJA / LOW M8 SELF-LOCKING NUT	T2108001	6
27	TORNILLO ESPECIAL 8X20 / 8X20 SPECIAL SCREW	T0208020	3
28	ULS 6X25 / 6X25 ULS	T0506025	1
29	TUERCA REMACHABLE / RIVETABLE NUT	T2706000	2
30	ALLEN 8X25 / 8X25 ALLEN SCREW	T0308025	2
31	TUERCA AUTOBLOCANTE M8 CON ARANDELA / SELF-LOCKING M8 NUT	T2208002	1
32	COLIN SOPORTE GUARDABARROS TRASERO ALUM. / REAR FENDER ALUMINIUM SUPPORT	BFS400110018	1

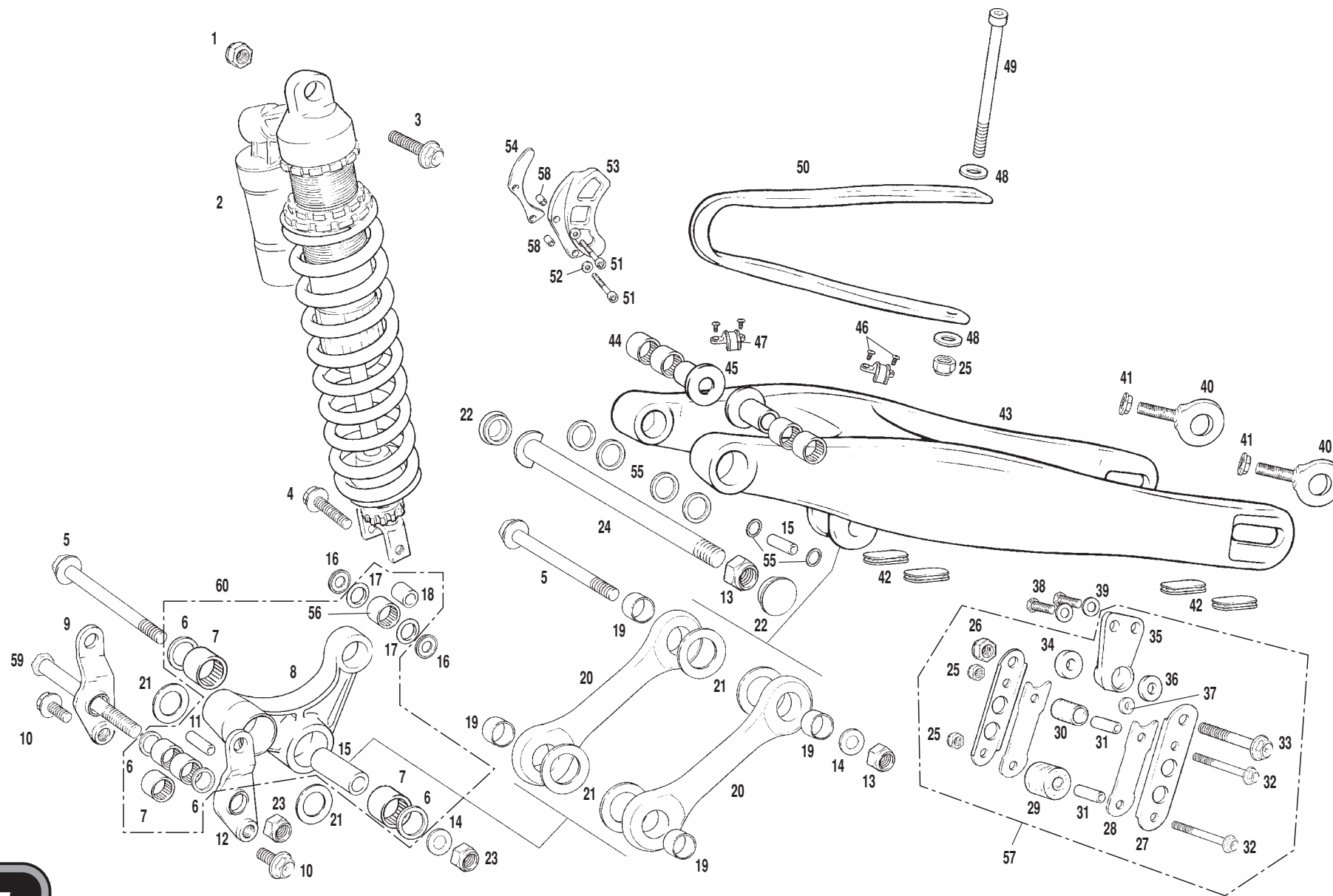
Nº	DESCRIPCION / DESCRIPTION	EC FSE 2003	SM FSE 2003	Cant.
33	GOMA SUJECCIÓN CDI / CDI HOLDER RUBBER	BE250034100		1
34	ARANDELA 8X20X1,5 / 8X20X1,5 WASHER	T4008020		17
35	RODILLO GUÍA CADENA SUPERIOR / UPPER CHAIN ROLL	BE25610014		1
36	CASQUILLO RODILLO ,25X12X25 / 6,25X12X25 BUSHING	BE25612016		2
37	TORNILLO ESPECIAL 6X14 / 6X14 SPECIAL SCREW	T0206014		1
38	RODILLO GUÍA CADENA 13,5X32X23,5 / 13,5X32X23,5 LOWER CHAIN ROLL	BE25610032		1
39	SOPORTE CABALLETE / SIDE STAND HOLDER	BE250212023		1
40	ULS 8X30 / 8X30 ULS BOLT	T0508030		1
41	CASQUILLO CABALLETE / SIDE STAND BUSHING	BE250112011		1
42	CABALLETE / SIDE STAND BRACKET	BE250112010	BFS400212010SM	1
44	TUBO PLÁSTICO PROTECCION MUELLE / SPRING PLASTIC TUBE COVER	BT27912050		1
45	MUELLE CABALLETE / SIDE STAND BRACKET SPRING	BE25610039		1
46	CHASIS ENDURO 400-2003 4T / 400-2003 4T EC FRAME	BFS400310000		1
47	TAPÓN DEPÓSITO ACEITE / OIL TANK CAP	BFS400110079		1
48	TIRA ADHESIVA ESPUMA 17 CM. / 17CM. FOAM STICKER	BFS400138019		1
49	TIRA ADHESIVA ESPUMA 26 CM. / 26CM. FOAM STICKER	BE25638018		2
50	CTO. REMACHE ANTIROBO / STEERING LOCK RIVET SET	BE250010076		1
51	ANTI-ROBO / STEERING LOCK	BE250010075		1
52	AD. TRANSPARENTE N° BASTIDOR / FRAME NUMBER CLEAR STICKER	PU000138015		1
54	TIRANTE CULATA / CYLINDER HEAD BRACE	BFS400310050		1
55	TUERCA CON ARANDELA ESTRIADA / NUT WITH WASHER	T2208000		1
56	ULS 8X20 / 8X20 ULS BOLT	T0508020		1
57	TORICA / O'RING	BFS400110082		1
58	TUERCA NUT M6 / M6 NUT	T2606000		6
59	RACORD CON FILTRO / RACORD WITH FILTER	BFS400132209		1
60	ARANDELA COBRE 6X10X1,5 / 6X10X1,5 WASHER	BFS400132213		1
61	ARANDELA 18,2X24X1,5 / 18,2X24X1,5 WASHER	T4006008		1
62	SOPORTE MOTOR / ENGINE SUPPORT	BFS400110989		2
63	ESTRIBO DERECHO / RIGHT FOOTREST	BE250010002		1
64	ARANDELA / WASHER	T4001021		2
65	MUELLE ESTRIBO DERECHO / RIGHT FOOTREST SPRING	BE25610037		1
66	ESPUMA CHASIS / FRAME FOAM	BFS400132215		1

Nº	DESCRIPCION / DESCRIPTION	FSE 2003	Cant.
68	CASQUILLO ESTRIBO / FOOTREST BUSHING	BE25610006	2
69	CLAVILLA ZINC / ZINC PIN	BE25622022	2
70	TORNILLO ESPECIAL M8X103 / 8X103 SPECIAL SCREW	T0208103	1
71	ESTRIBO IZQUIERDO / LEFT FOOTREST	BE250010003	1
72	MUELLE ESTRIBO IZQUIERDO / LEFT FOOTREST SPRING	BE25610038	1
74	TORNILLO ESPECIAL 8X108 / 8X108 SPECIAL SCREW	T0208108	3
75	PROTECTOR CARTER / CARTER PROTECTOR	BFS400110930	1
76	ULS 8X16 / 8x16 ULS BOLT	T0508016	3
77	COLA CHASIS / FRAME TAIL	BFS400110001	1
78	TUERCA NUT M8 RÁPIDA / M8 FAST LOCK NUT	BT280010041	3
79	ALLEN 8X16 / 8X16 ALLEN BOLT	T0308016	2
80	ARANDELA 6X18X1,5 / 6X18X1,5 WASHER	T4006018	1



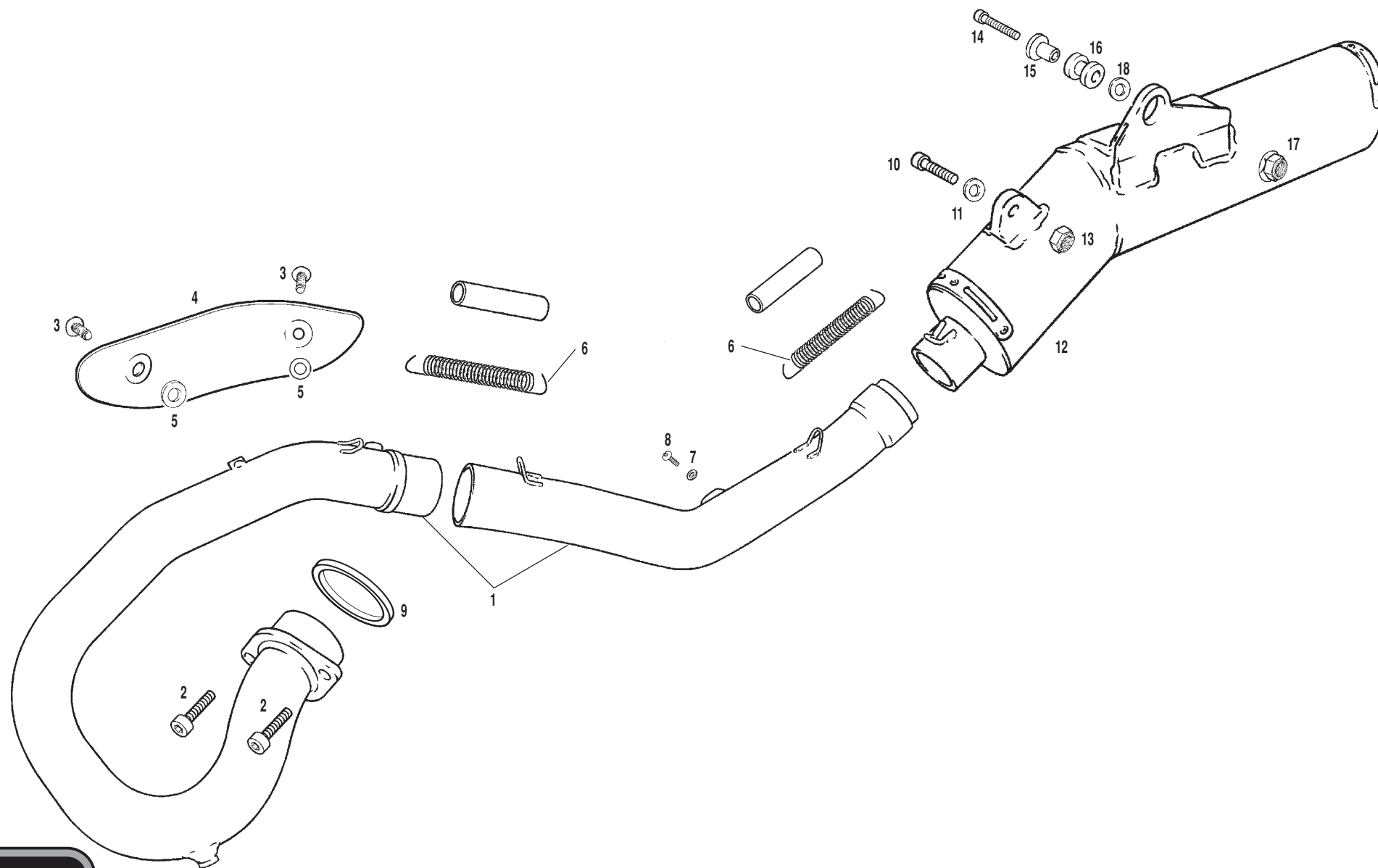
N°	DESCRIPCION / DESCRIPTION	FSE 400	FSE 450	Cant.
1	INYECTOR FSE / FSE INJECTOR	MFS400180002	MFS4503180002	1
2	CTO. INYECTOR FSE / FSE INJECTOR SET	MFS400180000	MFS4503180000	1
3	TUBERA ADMISIÓN / INTAKE RUBBER	MFS400116131		1
4	CABLE GAS / THROTTLE CABLE	BFS400124008		1
5	TUERCA TENSOR CABLE GAS / THROTTLE GAS TENSOR NUT	BFS400124013		1
6	TENSOR CABLE GAS / THROTTLE GAS TENSOR	BFS400124012		1
7	SOPORTE CABLE GAS / THROTTLE GAS SUPPORT	BFS400124014		1
8	ULS 5X10 / 5X10 ULS BOLT	T0505010		2
9	TAPA CABLE GAS / THROTTLE GAS COVER	MFS400180007		1
10	ULS 6X10 CON ARANDELA / 6X10 ULS BOLT WITH WASHER	T0556010		2

N°	DESCRIPCION / DESCRIPTION	FSE 2003	Cant.
1	CTO. CAJA FILTRO / AIR FILTER BOX SET	BFS400228001	1
2	TUERCA M5 CON ARANDELA / WASHER NUT M5	T2205000	5
3	PLATINA SOPORTE JAULA FILTRO / FILTER CARRIER SUPPORT	BE25628021	1
4	ABRAZADERA 40-60 / 40-60 CLAMP	L200047	2
5	GOMA TUBERA CAJA FILTRO / AIR FILTER BOX RUBBER	BFS400128017	1
6	PLATINA SOPORTE JAULA FILTRO INTERIOR / INNER FILTER CARRIER SUPPORT	BE25628020	1
7	JAULA FILTRO AIRE / AIR FILTER CARRIER	BE25628002	1
8	FILTRO AIRE / AIR FILTER	BE250128000	1
9	ARANDELA PLANA 6X16X1,5 / 6X16X1,5 PLAIN WASHER	T4006016	1
10	VARILLA PALOM FILTRO / FILTER BOLT	BE25628003	1
11	SEMI-CAJA TUBERA FILTRO / AIR FILTER SEMI-BOX	BE250128015	1
12	PROTECTOR SUSPENSIÓN TRASERA / REAR SHOCK ABSORBER PROTECTOR	BE25620008	1
13	TORNILLO ESPECIAL 6X20 / 6X20 SPECIAL SCREW	T0606020	2
14	SEMI-CAJA ESPUMA FILTRO / AIR FILTER FOAM SEMI-BOX	BE250128016	1
15	REMACHE 4X12 ALUMINIO / ALUMINIUM RIVET RIVET	T4504012	1
16	TIRA ADHESIVA 118 MM CAJA FILTRO / 118 MM. AIR FILTER BOX STICKER	BE250128029	1
17	TIRA ADHESIVA 180 MM CAJA FILTRO / 180 MM. AIR FILTER BOX STICKER	BE250128030	1
18	RESTRICTOR AIRE CAJA FILTRO / FILTER BOX AIR RESTRICTOR	BE2503 28014	1
19	SENSOR AIRE / AIR SENSOR	MFS400180003	1
20	TORNILLO 3X8 / 3X8 SCREW	T1003009	2
21	REMACHE 4X18 NEGRO / BLACK 4X18 RIVET	T4504018	4
22	ESPUMA / FOAM	BE250328039	1
23	ABRAZADERA COBRA 21 / 21 CLAMP	L200046	1

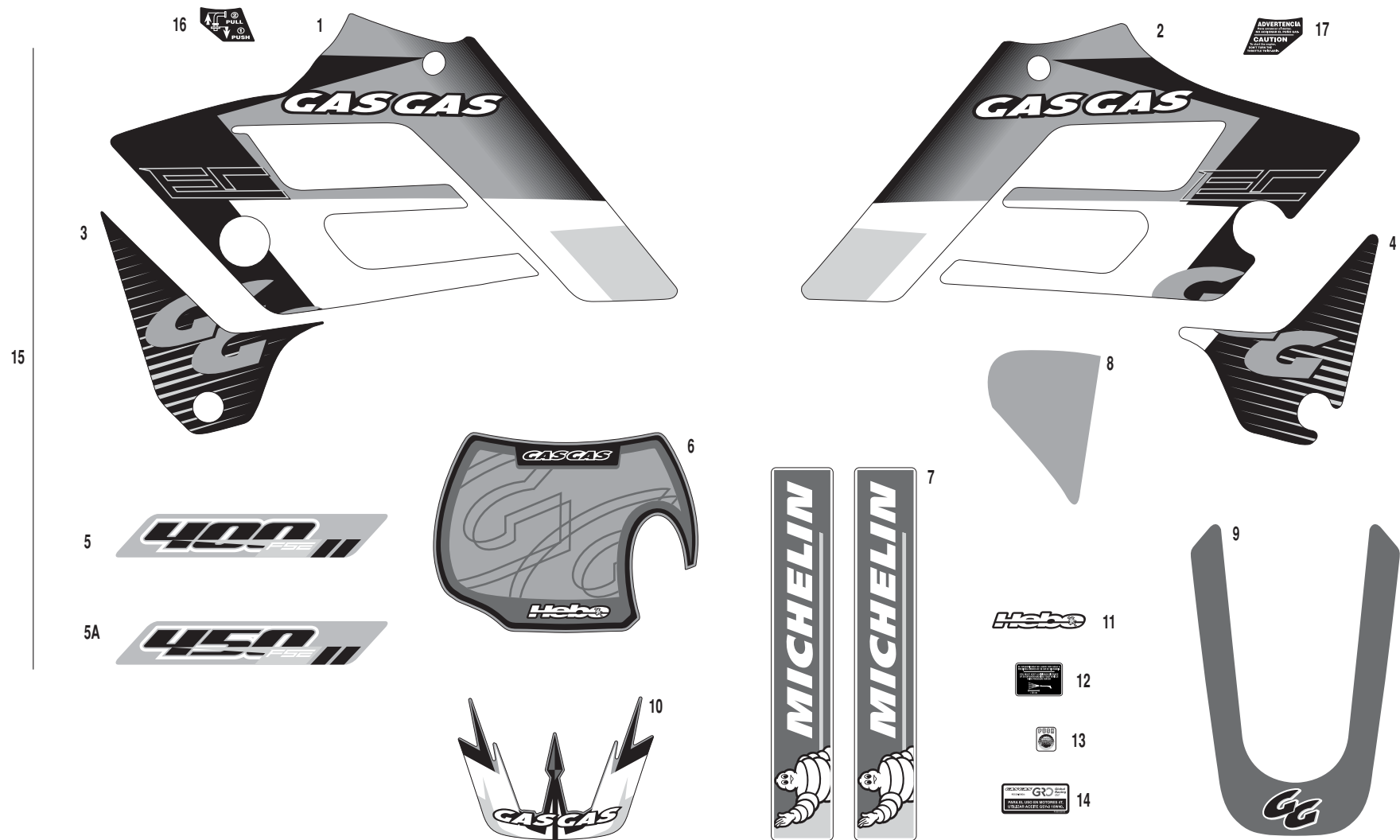


N°	DESCRIPCION / DESCRIPTION	EC-FSE 2003	SM-FSE 2003	Cant.
1	TUERCA AUTOBLOCANTE M10 / SELF-LOCKING NUT M10	T2110001		1
2	AMORTIGUADOR TRASERO / REAR SHOCK ABSORBER	BFS400114004	BTL400214004	1
3	TORNILLO ESPECIAL M10X55 / SPECIAL SCREW M10X55	T0210055		1
4	TORNILLO M10X40X1,25 / BOLT M10X40X1.25	T0110042		1
5	TORNILLO ESPECIAL 14X95 / SPECIAL SCREW 14X95	T0201495		2
6	RETEN 28X22X4 BASCULANTE / SWINGARM SEAL 28X22X4	BE25610011		4
7	JAULA AGUJAS DL2216 / NEEDLES BEARING DL2216	BE25614010		5
8	BALANCIN / ROCKER ARM	BE25614005		1
9	SOPORTE BALANCIN DERECHO / RIGHT ROCKER ARM SUPPORT	BE250314006		1
10	TORNILLO ESPECIAL 12X25X1,25 / SPECIAL SCREW 12X25X1.25	T02012025		2
11	CASQUILLO EJE BASCULANTE / SWINGARM SHAFT BUSHING	BE25612005		1
12	SOPORTE BALANCIN IZQUIERDO / LEFT ROCKER ARM SUPPORT	BE250314007		1
13	TUERCA AUTOBLOCANTE M 14 / SELF-LOCKING NUT M14	BE25612009		4
14	ARANDELA 15X25X2,5 / 15X25X2.5 WASHER	T4015025		2
15	CASQUILLO 14X22X57 / 14X22X57 BUSHING	BE250310914		2
16	ARANDELA REGLAJE 21X10,2X1 / 21X10.2X1 SETTING WASHER	T4001022		2
17	TORICA BIELETA 15X3,5 / CONNECTING ROD O'RING	BE25814015		2
18	CASQUILLO INF. AMORTIGUADOR D.16X21.60 / SHOCK ABSORBER BUSHING (LOWER)	BE25642005		1
19	CASQUILLO BIELETA / CONNECTING ROD BUSHING	BE25642002		4
20	BIELETA / CONNECTING ROD	BC250014008	BE120114008	2
21	ARANDELA REGLAJE 22,4X36X0,7 / SETTING WASHER 22.4X36X0.7	T4022036		6
22	TAPÓN BASCULANTE / SWINGARM CAP	BE25636001		2
23	TUERCA M14 AUTOBLOCANTE CON ARANDELA / SELF-LOCKING M14 NUT WITH WASHER	BE25612009		2
24	EJE BASCULANTE EC2003 / EC2003 SWINGARM SHAFT	BE250312008		1
25	TUERCA AUTOBLOCANTE M6 ALTA / HIGH SELF LOCKING NUT M6	T2106002		2
26	TUERCA AUTOBLOCANTE M8 BAJA / LOW SELF LOCKING NUT M8	T2108001		1
27	PLATINA GUIA CADENA / CHAIN GUIDE BRACKET	BE25912017		2
28	TIRA NYLON ANTIRUIDO / ANTI-NOISE NYLON BAND	BE25612022		2
29	RODILLO GUIA CADENA 13,55X32X23,5 / CHAIN GUIDE ROLLER 13.55X32X23.5	BE25610032		1
30	RODILLO GUIA CADENA SUPERIOR / UPPER CHAIN GUIDE ROLLER	BE25610014		1
31	CASQUILLO GUIA CADENA / CHAIN GUIDE BUSHING	BE25610025		2
32	TORNILLO ESPECIAL 6X45 / SPECIAL SCREW 6X45	T0206045		2

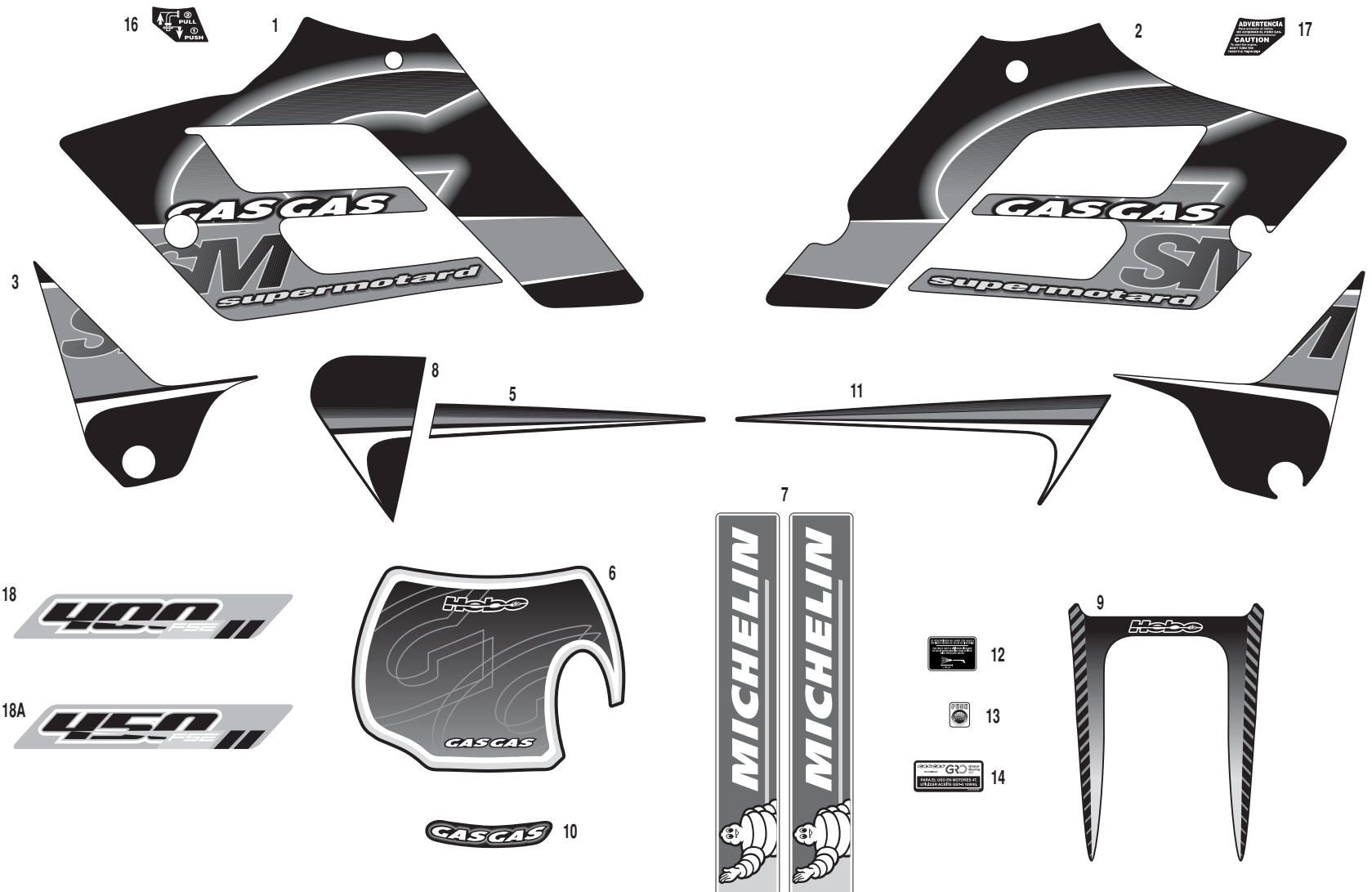
Nº	DESCRIPCION / DESCRIPTION	FSE 2003	Cant.
33	TORNILLO ESPECIAL 8X45 / SPECIAL SCREW 8X45	T0208045	1
34	DISTACIADOR SOP. GUIA CADENA GRANDE / BIG CHAIN GUIDE SUPPORT SPACER	BE25612021	1
35	SOPORTE GUIA CADENA / CHAIN GUIDE SUPPORT	BE25612018	1
36	DISTACIADOR SOP. GUIA CADENA PEQUEÑO / SMALL CHAIN GUIDE SUPPORT SPACER	BE25612020	1
37	SILENTBLOCK SOPORTE GUIA CADENA / CHAIN GUIDE SUPPORT SILENBLOCK	BE25612019	1
38	HEXAGONAL 8X20 / HEX. BOLT 8X20	T0108020	2
39	ARANDELA 8X16X1,5 / WASHER 8X16X1.5	T4008016	2
40	TENSOR RUEDA / WHEEL TENSOR	BE25818022	2
41	TUERCA CILINDRO ESPECIAL M10/150 / M10/150 SPECIAL BOLT	ME25616031	2
42	GOMA PROTECTOR BASCULANTE / SWINGARM PROTECTOR RUBBER	BE25836005	4
43	BASCULANTE / SWINGARM	BE250112002	1
44	JAULA AGUJAS HK2216 / NEEDLES BEARING HK2216	BE25614011	4
45	CASQUILLO BASCULANTE EC2003 / EC2003 SWINGARM BUSHING	BE250312007	2
46	ULS 5X12 / ULS BOLT 5X12	T0505012	4
47	SUJECCIÓN LATIGUILLO SOBRE BASCULANTE / SWINGARM HOSE HOLDER	BE25612006	2
48	ARANDELA 6X18X1,5 / 6X18X1.5 WASHER	T4006018	2
49	ALLEN 6X75 / ALLEN BOLT 6X75	T0306075	1
50	PATIN CADENA / CHAIN SLIDER	BE250112015	1
51	ALLEN 6X45 / ALLEN BOLT 6X45	T0206045	2
52	ARANDELA PLANA 6X12X1,5 / PLAIN WASHER 6X12X1.5	T4006012	2
53	PROTECTOR PIÑON PLÁSTICO ENDURO / ENDURO PLASTIC PINION PROT.	ME250036121	1
54	PLATINA PROTECTOR PIÑON / PINION PROTECTOR BRACKET	ME25636021	1
55	RETEN 28X22X4 / SEAL 28X22X4	BE25610011	6
56	JAULA AGUJAS AL1216 / AL 1216 NEEDLES BEARING	BE25614009	1
57	CTO. TENSOR CADENA / CHAIN TIGHTER SET	BE25710078	1
58	CASQUILLO DISTANCIADOR PIÑÓN / SPACER PINION BUSHING	ME250036019	2
59	TORNILLO ESPECIAL M14X110 / SPECIAL SCREW M14X110	T0214110	1
60	BALANCIN COMPLETO EC / EC ROCKER ARM SET	BE25614005CT	1



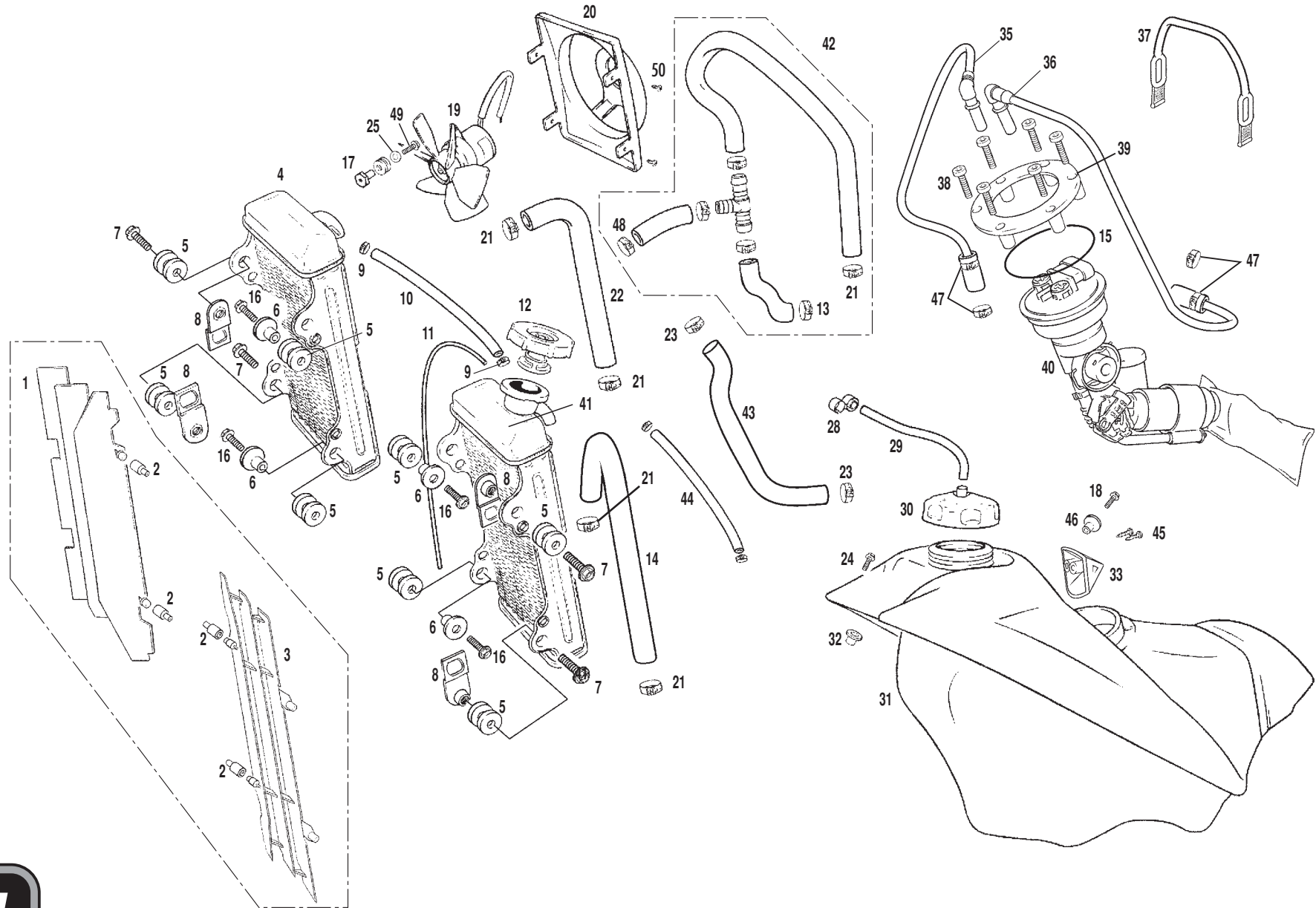
Nº	DESCRIPCION / DESCRIPTION	FSE 2003	Cant.
1	TUBO ESCAPE / EXHAUST	BFS400326001	1
2	ALLEN 8X20 / 8X20 ALLEN BOLT	T0308020	2
3	ULS 6X10 / 6X10 ULS BOLT	T0506010	2
4	PROTECTOR ESCAPE / EXHAUST PROTECTOR	BFS400126021	1
5	ARANDELA CLINGERIT 6x15x0.5 / 6x15x0.5 WASHER	MFS400116407	2
6	MUELLE ESCAPE 4T / FSE EXHAUST SPRING	BFS400110042	1
7	ARANDELA 8X16X1,5 / 8X16X1,5 WASHER	T4008016	1
8	ULS 8X16 / 8X16 ULS BOLT	T0508016	1
9	JUNTA EC4T / EXHAUST GASKET	MFS400144012	1
10	ALLEN 8X25 / 8X25 ALLEN BOLT	T0308025	1
11	ARANDELA 8X20X1,5 / 8X20X1,5 WASHER	T4008020	1
12	SILENCIADOR TUBO ESCAPE / EXHAUST SILENCER	BFS400126002	1
13	TUERCA AUTOBLOCANTE M8 BAJA / SELF-LOCKING NUT M8	T2108001	1
14	ALLEN 8X50 / 8X50 ALLEN BOLT	T0308050	1
15	CASQUILLO / BUSHING	BFS400126013	1
16	SILENTBLOCK / SILENTBLOCK	BE250026005	1
17	TUERCA CON ARANDELA / NUT WITH WASHER	T2208002	1
18	ARANDELA NEGRA / BLACK WASHER	BFS400126017	1



N°	DESCRIPCION / DESCRIPTION	FSE 2003	Cant.
1	ADH. TAPA LATERAL RAD. IZQ. / LEFT SIDE RADIATOR COVER STICKER	BFS400338052	1
2	ADH. TAPA LATERAL RAD. DER. / RIGHT SIDE RADIATOR COVER STICKER	BFS400338002	1
3	ADH. INF. RADIADOR IZQ. / LEFT INFERIOR RADIATOR COVER STICKER	BFS400338068	1
4	ADH. INF. RADIADOR DER. / RIGHT INFERIOR RADIATOR COVER STICKER	BFS400338067	1
5	ADH. FSE400 BASCULANTE / FSE 400 SWINGARM STICKER	BFS400338005	2
5A	ADH. FSE450 BASCULANTE / FSE 450 SWINGARM STICKER	BFS450338005	2
6	ADH. FARO DELANTERO / FRONT LAMP STICKER	BE250338001	1
7	ADH. MICHELIN HORQUILLA / FRONT FORK MICHELIN STICKER	PU000238006	2
8	ADH. TAPA FILTRO / AIR FILTER COVER STICKER	BE250138049	1
9	ADH. GUARDABARROS TRASERO / REAR FENDER STICKER	BE250338030	1
10	ADH. GUARDABARROS DELANTERO / FRONT FENDER STICKER	BE250338027	1
11	ADH. HEBO SILICONA / HEBO SILICON STICKER	PU000138016	1
12	ADH. LAVADO PRESIÓN / PRESSURE WATER CLEAN STICKER	PU000138009	1
13	ADH. "PUSH" TAPA FILTRO / "PUSH" AIR FILTER COVER STICKER	PU000138010	1
14	ADH. USO ACEITE GRO / "GRO OIL USE ONLY" STICKER	PU000338006	1
15	CTO. ADHESIVOS EC FSE-2003 / EC FSE-2003 STICKERS SET	BFS400338000	1
16	ADH. PUSH PULL 4T / PUSH PULL 4T STICKER	PU000338001	1
17	ADH. NO ACCIONAR EL GAS / DON'T TWIST STICKER	PU000238004	1



N°	DESCRIPCION / DESCRIPTION	SM FSE 2003	Cant.
1	ADH. TAPA LATERAL RAD. IZQ. / LEFT SIDE RADIATOR COVER STICKER	BFS400238052SM	1
2	ADH. TAPA LATERAL RAD. DER. / RIGHT SIDE RADIATOR COVER STICKER	BFS400238002SM	1
3	ADH. INF. RADIADOR IZQ. / LEFT INFERIOR RADIATOR COVER STICKER	BFS400238068SM	1
4	ADH. INF. RADIADOR DER. / RIGHT INFERIOR RADIATOR COVER STICKER	BFS400238067SM	1
5	ADH. TAPA LATERAL IZQUIERDA / LEFT LATERAL COVER STICKER	BE250138004SM	1
6	ADH. FARO DELANTERO / FRONT LAMP STICKER	BE250138001SM	1
7	ADH. MICHELIN HORQUILLA / FRONT FORK MICHELIN STICKER	PU000238006	2
8	ADH. TAPA FILTRO / AIR FILTER COVER STICKER	BE250138049SM	1
9	ADH. GUARDABARROS TRASERO / REAR FENDER STICKER	BE250138030SM	1
10	ADH. GUARDABARROS DELANTERO / FRONT FENDER STICKER	BE250138027SM	1
11	ADH. TAPA PORTANUMEROS DERECHA / RIGHT LATERAL COVER STICKER	BE250138003SM	1
12	ADH. LAVADO PRESIÓN / PRESSURE WATER CLEAN STICKER	PU000138009	1
13	ADH. "PUSH" TAPA FILTRO / "PUSH" AIR FILTER COVER STICKER	PU000138010	1
14	ADH. USO ACEITE GRO / "GRO OIL USE ONLY" STICKER	PU000338006	1
15	CTO. ADHESIVOS SM FSE-2003 / SM FSE-2003 STICKER SET		1
16	ADH. PUSH PULL 4T / PUSH PULL 4T STICKER	PU000338001	1
17	ADH. NO ACCIONAR EL GAS / DON'T TWIST STICKER	PU000238004	1
18	ADH. FSE400 BASCULANTE / FSE 400 SWINGARM STICKER	BFS400338005	2
18A	ADH. FSE450 BASCULANTE / FSE 450 SWINGARM STICKER	BFS450338005	2



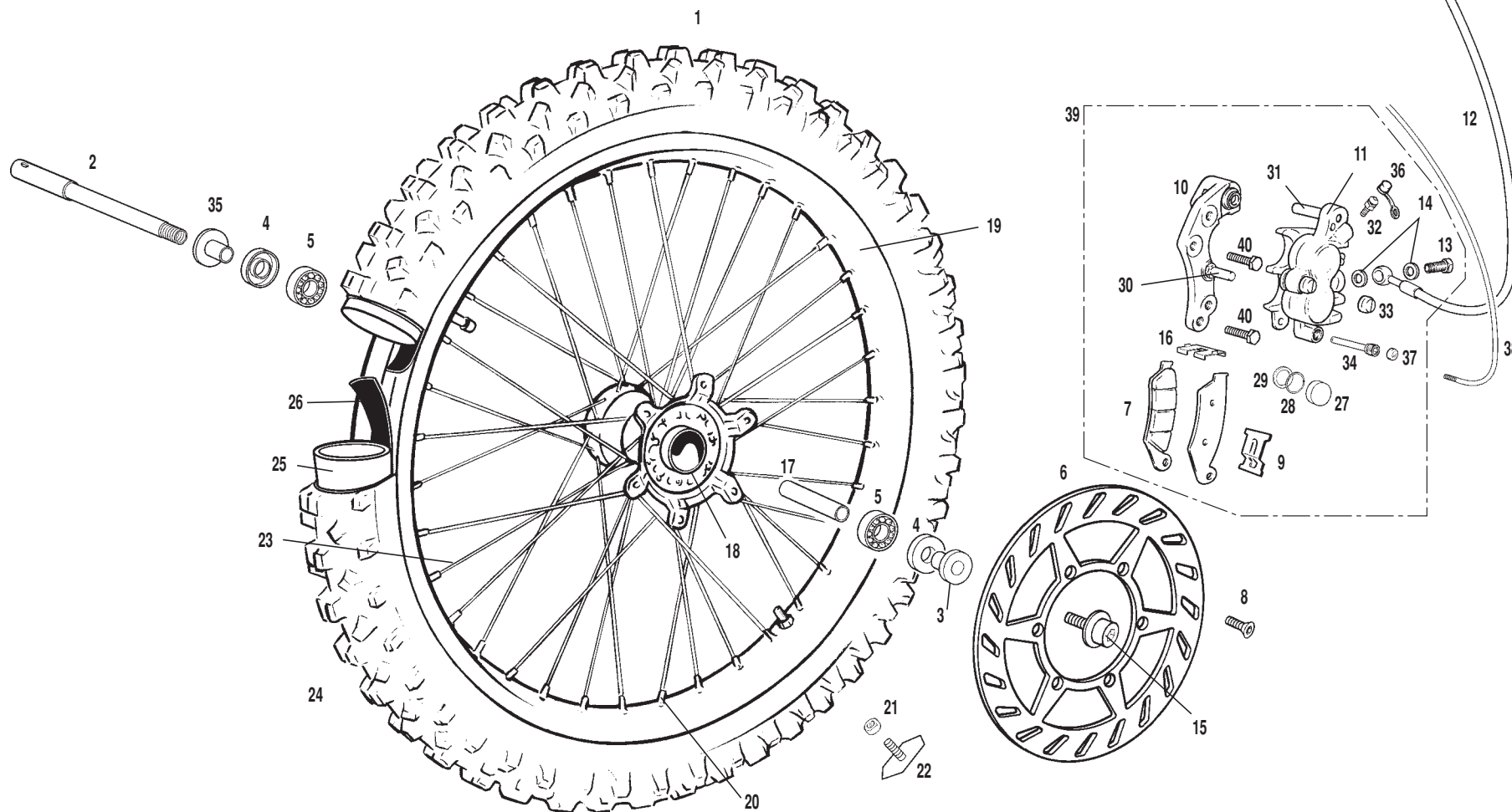
Nº	DESCRIPCION / DESCRIPTION	FSE 2003	Cant.
1	REJILLA RADIADOR DERECHO / <i>RIGHT RADIATOR RACK</i>	BE25620001	1
2	TOPE REJILLA RADIADOR / <i>RADIATOR RACK END</i>	BE25620101	4
3	REJILLA RADIADOR IZQUIERDO / <i>LEFT RADIATOR RACK</i>	BE25620002	1
4	RADIADOR DERECHO / <i>RIGHT RADIATOR</i>	BFS400132000	1
5	SILENTBLOCK RADIADOR / <i>RADIATOR SILENTBLOCK</i>	BE250026005	8
6	CASQUILLO RADIADOR / <i>RADIATOR BUSHING</i>	BE25832040	4
7	TORNILLO ESPECIAL 6X16 / <i>6X16 SPECIAL SCREW</i>	T0206016	4
8	PLASTICO LATERAL RADIADOR / <i>RADIATOR PROTECTOR</i>	BE25632015	4
9	ABRAZADERA COBRA 12/8 W4 CONDUCTO ACEITE / <i>OIL PIPE COBRA CLAMP</i>	MFS400110031	2
10	TUBO UNION RADIADORES / <i>RADIATOR CONNECTOR</i>	BFS400132008	1
11	TUBO SOBRENTE RADIADOR / <i>RADIATOR BREATHE HOSE</i>	BFS400110116	1
12	TAPON RADIADOR / <i>RADIATOR TAP</i>	BFS400132032	1
13	ABRAZADERA COBRA 25 / <i>25 CLAMP</i>	BE120132052	1
14	TUBO RADIADOR-CULATA SUPERIOR IZDO / <i>UPPER LEFT RAD. TO CYL. HEAD HOSE</i>	BFS400132002	1
15	TORICA BOMBA INYECCION / <i>INJECTION PUMP O'RING</i>	MFS400180105	1
16	ALLEN 6X20 / <i>6X20 ALLEN BOLT</i>	T0306020	4
17	CASQUILLO VENTILADOR / <i>FAN BUSHING</i>	L300016	3
18	ULS 5X16 / <i>5X16 ULS BOLT</i>	T0505016	1
19	VENTILADOR / <i>FAN</i>	L300001	1
20	PROTECTOR VENTILADOR / <i>FAN PROTECTOR</i>	L300011	1
21	ABRAZADERA COBRA 21 / <i>21 CLAMP</i>	L200046	4
22	TUBO RADIADOR-CULATA SUPERIOR DRCHO. / <i>UPPER RIGHT RAD. TO CYL. HEAD HOSE</i>	BFS400132012	1
23	ABRAZADERA 19 / <i>19 CLAMP</i>	L200043	2
24	TORNILLO ESPECIAL 6X20 / <i>6X20 SPECIAL SCREW</i>	T0206020	1
25	ARANDELA 4X12X1,5 / <i>4X12X1,5 WASHER</i>	T4004012	3
28	SOPORTE TUBO DESVAPORIZADOR / <i>STEAM HOSE HOLDER</i>	P720005	1
29	TUBO DESVAPORIZADOR TAPON GASOLINA / <i>FUEL HOSE TO PUMP</i>	BE25620011	1
30	TAPON DEPOSITO GASOLINA / <i>FUEL TANK CAP</i>	BE250020010	1
31	DEPOSITO / <i>FUEL TANK</i>	BFS400110024	1
32	CASQUILLO DEPOSITO / <i>FUEL TANK BUSHING</i>	BE250010007	1
33	SOPORTE ASIENTO DELANTERO / <i>FRONT SEAT SUPPORT</i>	BFS450310007	1
35	TUBO COMBUSTIBLE INYECCIÓN IZQUIERDO / <i>LEFT FUEL INJECTION HOSE</i>	MFS400180101	1

Nº	DESCRIPCION / DESCRIPTION	FSE 2003	Cant.
36	TUBO COMBUSTIBLE INYECCIÓN DERECHO / <i>RIGHT FUEL INJECTION HOSE</i>	MFS400180102	1
37	TIRA SUJ. DEPOSITO EC 2001 / <i>FUEL TANK RUBBER BAND HOLDER</i>	BE250136020	1
38	ALLEN 5X25 / <i>5X25 ALLEN BOLT</i>	T0305025	6
39	TAPA BOMBA INYECCION / <i>INJECTION PUMP COVER</i>	MFS400180106	1
40	BOMBA GASOLINA / <i>FUEL PUMP</i>	MFS400180100	1
41	RADIADOR IZQUIERDO / <i>LEFT RADIATOR</i>	BFS400132001	1
42	CTO. TUBOS RADIADOR A BOMBA AGUA / <i>RADIATOR TO WATER PUMP HOSE</i>	BFS400132020/2	1
43	TUBO DESVAPORIZADOR CULATA / <i>CYL. HEAD DESVAP. HOSE</i>	MFS400116103	1
44	TUBO DESVAPORIZADOR CHASIS EC400-4T / <i>FRAME DESVAP. HOSE</i>	BFS400132019	1
45	ALLEN 5X15 / <i>5X15 ALLEN BOLT</i>	T0305015	2
46	CASQUILLO INFERIOR SUJECCIÓN RADIADOR / <i>INFERIOR RADIATOR BUSHING</i>	BE25832040	1
47	ABRAZADERA D.12.9-13.6 AMARILLA / <i>12.9-13.6 YELLOW CLAMP</i>	BE250210047	4
48	ABRAZADERA 22 / <i>22 CLAMP</i>	L200038	1
49	TORNILLO HEXAGONAL 4X10 / <i>4X10 HEXAGONAL BOLT</i>	T0104010	3
50	TORNILLO ROSCA-CHAPA 3X9 / <i>3X9 SCREW</i>	T1003009	4

**Rueda delantera /
Front wheel**

GAS GAS

FSE 2003



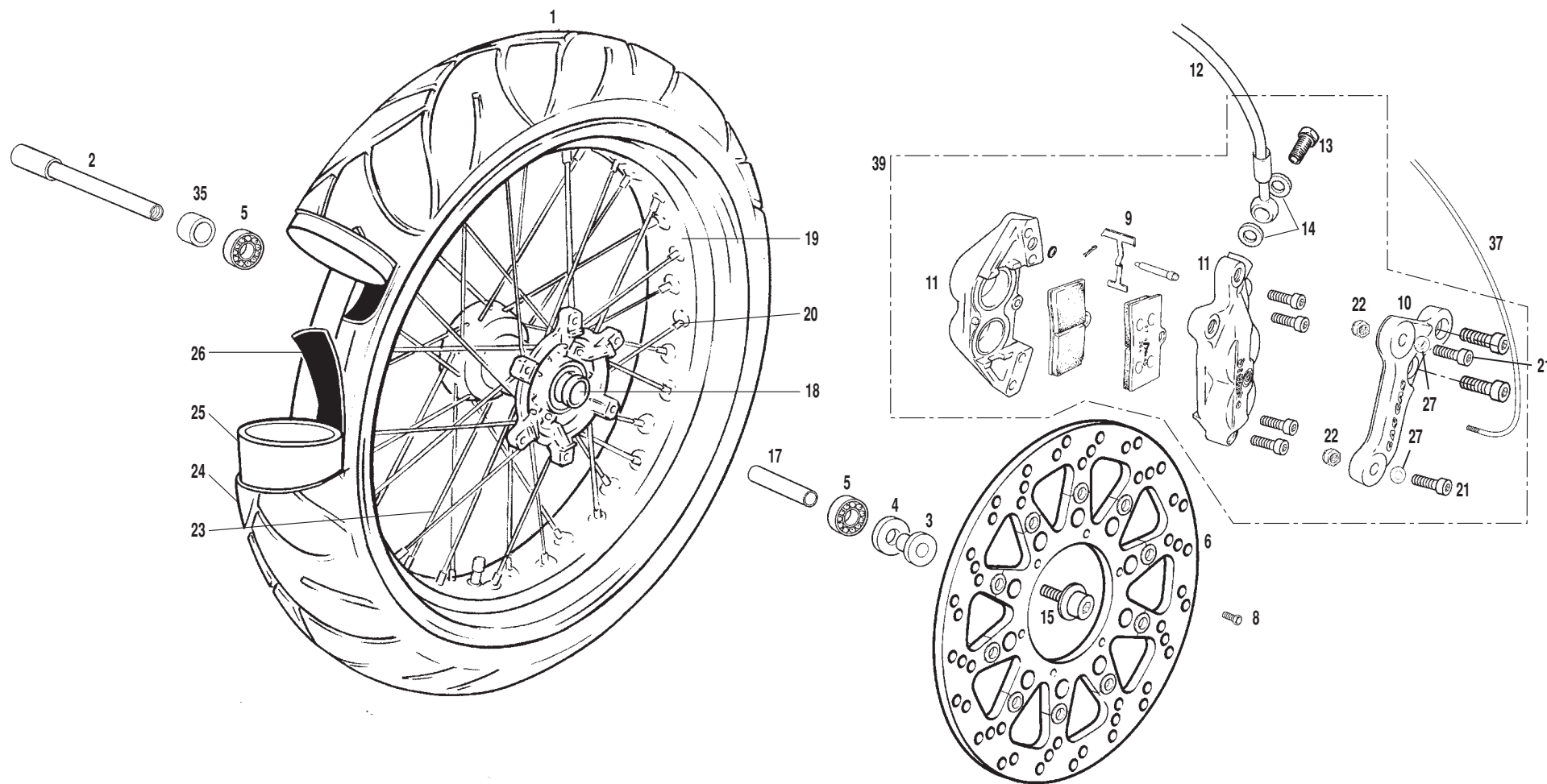
Nº	DESCRIPCION / DESCRIPTION	FSE 2003	Cant.
1	RUEDA DELANTERA EC250-2003 / EC250-2003 FRONT WHEEL	BE250318000	1
2	EJE RUEDA DELANTERA / FRONT WHEEL AXIS	BC250018017	1
3	DISTANCIADOR RUEDA DELANTERA LARGO / LONG FRONT WHEEL SPACER	BC250018018	1
4	RETEN RUEDA DELANTERA / FRONT WHEEL GASKET	C160710	2
5	COJINETE / BEARING	C160001	2
6	DISCO FRENO DELANTERO / FRONT BRAKE DISC	BE250222011	1
7	PASTILLAS DE FRENO DELANTERO / FRONT BRAKE PADS	BE250022065	1
8	HEXAGONAL 6X14 / HEXAGONAL BOLT 6X14	T020601412	6
9	PLATINA (A) SUJ. PASTILLAS DEL. / FRONT BRAKE PADS HOLDER BRACKET (A)	BE250022063	1
10	SOPORTE PINZA DELANTERO / FRONT CALIPER SUPPORT	BE250022110	1
11	PINZA FRENO DELANT. SOP. EC-2003 / FRONT BRAKE CALIPER WITH SUPPORT	BE250322000	1
12	LATIGUILLO FRENO DELANTERO / FRONT BRAKE HOSE	BE250022002	1
13	RACORD SUJECCIÓN LATIGUILLO 10X1,25 / HOSE HOLDER RACORD 10X1.25	BC25722006	1
14	ARANDELA LATIGUILLO 10X14X2 / HOSE WASHER 10X14X2	BE25622057	2
15	TORNILLO EJE RUEDA DELANTERA / FRONT WHEEL AXIS BOLT	BE250218026	1
16	PLAT. (B) SUJ. PASTILLAS DELANT. / FRONT BRAKE PADS HOLDER BRACKET (B)	BE250022064	1
17	DISTANCIADOR / SPACER	R170700	1
18	CUBO RUEDA DELANTERA SEP. INT. ALUMINIO / FRONT WHEEL HUB	BC250018007	1
19	LLANTA 1,60X21 / RIM 1.60X21	BE250118006	1
20	TUERCA RADIO DELANTERO / FRONT SPOKE NUT	BE250218010	36
21	TUERCA CON ARANDELA ESTRIADA M8 / NUT WITH LOCK WASHER M8	BE25818060	1
22	AGARRE CUBIERTA DELANTERO / FRONT TIRE HOLDER	R120000	1
23	RADIO DELANTERO 243X3,5 / FRONT SPOKE 243X3.5	BE250218009	36
24	NEUMÁTICO DELANTERO 90/90-21 / FRONT TIRE 90/90-21	BE25618102	1
25	CÁMARA DELANTERA / FRONT AIR HOSE	BE25618001	1
26	PROTECTOR BANDA DELANTERA / FRONT RIM BAND	BE25618028	1
27	PISTÓN COMPLETO PINZA FRENO DELANTERO / FRONT BRAKE CALIPER PISTON	BE250022042	2
28	TORICA PISTÓN PINZA FRENO DELANT. / FRONT BRAKE CALIPER PISTON O'RING	BE250022032	2
29	RETÉN PINZA FRENO DELANTERA / FRONT BRAKE CALIPER SEAL	BE250022033	2
30	TORNILLO CLAVIJA PINZA FRENO DELANTERA / FRONT BRAKE CALIPER BOLT	BE250022034	1
31	TORNILLO CLAVIJA A PINZA FRENO DELANTERA / FRONT BRAKE CALIPER "A BOLT	BE250022043	1
32	SANGRADOR PINZA FRENO DELANTERA / FRONT BRAKE CALIPER BLEEDER	BE250022038	1

N°	DESCRIPCION / DESCRIPTION	FSE 2003	Cant.
33	PROTEC. TOR. PINZA FRENO DELANTERA / FRONT BRAKE CALIPER BOLT PROT.	BE250022039	1
34	PASADOR PASTILLAS PINZA FRENO DELANTERA / FRONT BRAKE PADS PIN	BE250022041	1
35	DISTANCIADOR RUEDA DELANTERA / FRONT WHEEL SPACER	BC250018019	1
36	TAPÓN SANGRADOR / BLEEDER CAP	BE250022055	1
37	PROTECCIÓN PASADOR NISSIN / NISSIN PROTECTOR PIN	BE250022095	1
38	CTO. SOPORTE CON IMAN C.K. / SUPPORT WITH C.K. MAGNET SET	BE250334008	1
39	CTO. FRENO DELANTERO PURGADO EC 2003 / FRONT BRAKE SET	BE250322108	1
40	TORNILLO ESPECIAL 8X30 / 8X30 SPECIAL SCREW	T0208030	2

Rueda delantera /
Front wheel

GAS GAS

SM 2002

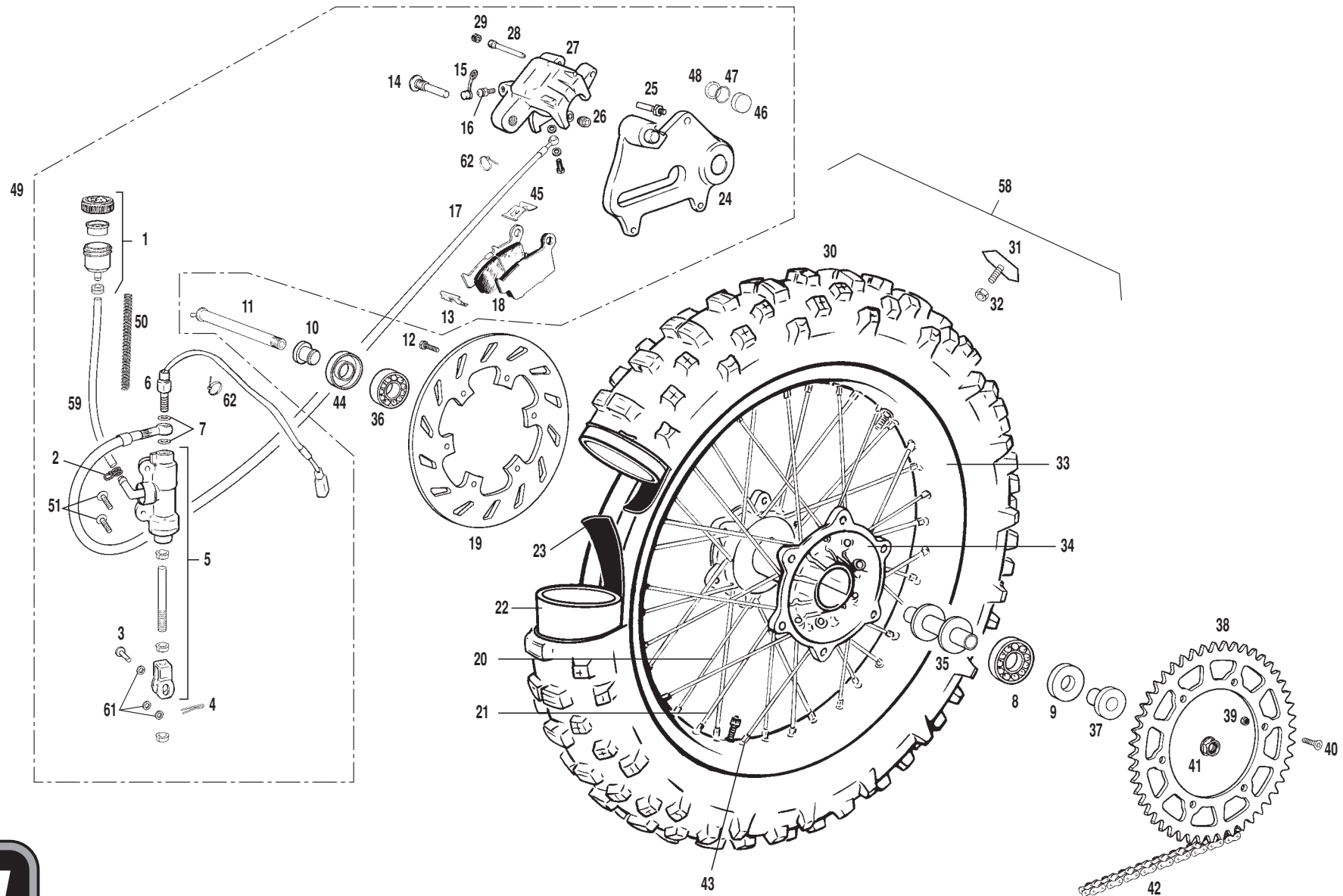


Nº	DESCRIPCION / DESCRIPTION	SM FSE 2003	Cant.
1	RUEDA DELANTERA EC SM / EC SM FRONT WHEEL	BE250118000SM	1
2	EJE RUEDA DELANTERA / FRONT WHEEL AXIS	BC250018017	1
3	DISTANCIADOR RUEDA DELANTERA LARGO / LONG FRONT WHEEL SPACER	BC250018018	1
4	RETEN RUEDA DELANTERA / FRONT WHEEL GASKET	C160710	2
5	COJINETE / BEARING	C160001	2
6	DISCO FRENO DELANTERO / FRONT BRAKE DISC	BE250122011SM	1
7	PASTILLAS DE FRENO DELANTERO / FRONT BRAKE PADS	BE250122065SM	1
8	HEXAGONAL 6X14 / HEXAGONAL BOLT 6X14	T020601412	6
9	PLATINA (A) SUJ. PASTILLAS DEL. / FRONT BRAKE PADS HOLDER BRACKET (A)	BE250022063	1
10	SOPORTE PINZA DELANTERO / FRONT CALIPER SUPPORT	BE250122110SM	1
11	PINZA FRENO DELANTERO / FRONT BRAKE CALIPER	BE250122000SM	1
12	LATIGUILLO FRENO DELANTERO / FRONT BRAKE HOSE	BE250122002SM	1
13	RACORD SUJECCIÓN LATIGUILLO 10X1,25 / HOSE HOLDER RACORD 10X1.25	BC25722006	1
14	ARANDELA LATIGUILLO 10X14X2 / HOSE WASHER 10X14X2	BE25622057	2
15	TORNILLO EJE RUEDA DELANTERA / FRONT WHEEL AXIS BOLT	BE250218026	1
17	DISTANCIADOR / SPACER	R170700	1
18	CUBO RUEDA DELANTERA SEP. INT. ALUMINIO / FRONT WHEEL HUB	BC250018007	1
19	LLANTA / RIM	BE250118006SM	1
20	TUERCA RADIO DELANTERO / FRONT SPOKE NUT	BT27718016	36
21	TORNILLO ESPECIAL 8X45 / 8X45 SPECIAL SCREW	T0208045	2
22	TUERCA M8 AUTOBLOCANTE CON ARANDELA / M8 SLF-LOCKING NUT WITH WASHER	T2208002	2
23	RADIO DELANTERO 185X3,5 / FRONT SPOKE 185X3.5	BE250118009SM	36
24	NEUMÁTICO DELANTERO 120/60 ZR 17 / FRONT TIRE	BE2501180102SM	1
25	CÁMARA DELANTERA SUPERMOTARD / SUPERMOTARD FRONT AIR HOSE	BE250118001SM/2	1
26	PROTECTOR BANDA DELANTERA / FRONT RIM BAND	BE250118028SM	1
27	ARANDELA 8X20X1,5 / 8X20X1,5 WASHER	T4008020	2
35	DISTANCIADOR RUEDA DELANTERA / FRONT WHEEL SPACER	BC250018019	1
37	CABLE MULTIFUNCION TT 2003 / MULTIFUNCTION CABLE	BE250334050	1
38	CTO. SOPORTE CON IMAN C.K. / SUPPORT WITH C.K. MAGNET SET	BE250334008	1
39	CTO. FRENO DELANTERO PURGADO EC 2003 / FRONT BRAKE SET	BE250322108C	1

Rueda trasera / Rear wheel

GAS GAS

FSE 2003

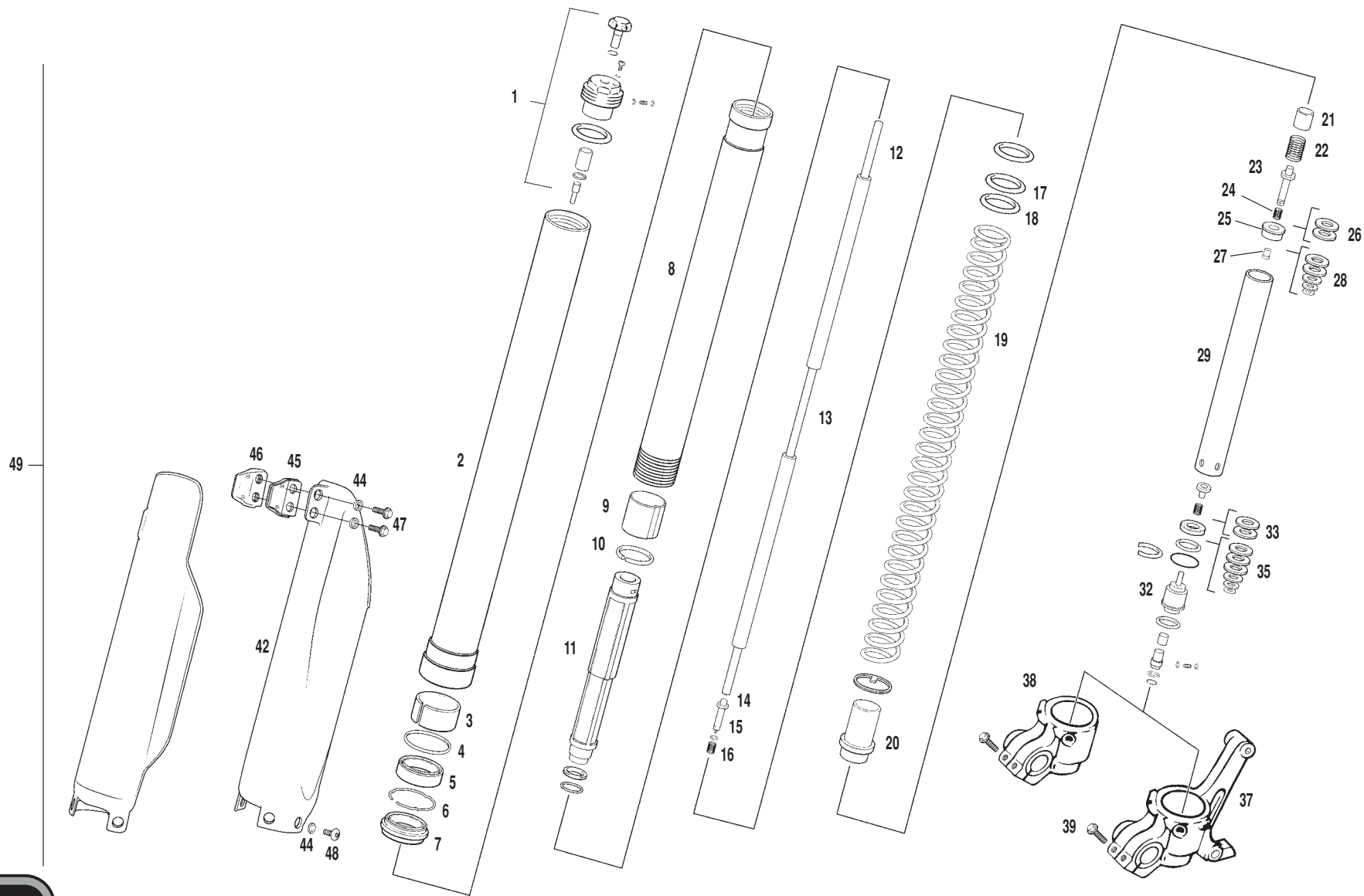


Nº	DESCRIPCION / DESCRIPTION	FSE 2003	Cant.
1	DEPÓSITO LÍQUIDO DE FRENOS / BRAKE FLUID TANK	BE25610016	1
2	ABRAZADERA MUELLE M-11.6X12.03 02016098 ROSA / M-11.6 SPRING CLAMP	BE25610044/2	1
3	PASADOR 8X20 PEDAL FRENO / BRAKE PEDAL PIN 8X20	BE25622026	1
4	CLAVILLA PASADOR FRENO 2X20 / 2X20 BRAKE PEDAL PIN STOPPER	BE25622027	1
5	BOMBA FRENO TRASERO NISSIN R2MRC019 / NISSIN REAR BRAKE PUMP	BE25622010/2	1
6	INTERRUPTOR 23.024/1 STOP BOMBA NISSIN / NISSIN BRAKE PUMP STOP SWITCH	BE250034003/2	1
7	ARANDELA LATIGUILLO 10X14X1 / 10X14X1 HOSE WASHER	BE25622007	4
8	RODAMIENTO 6205 2RSR / BUSHING 6205 2RSR	C180700	1
9	RETEN RUEDA TRASERA / REAR WHEEL SEAL	C180710	1
10	DISTANCIADOR RUEDA TRASERA CORTO / SHORT REAR WHEEL SPACER	BE250018025	1
11	EJE RUEDA TRASERA / REAR WHEEL AXIS	BE25618020	1
12	HEXAGONAL 6X16 DISCO TRASERO / 6X16 REAR DISC BRAKE HEX. SCREW	BE25618032	6
13	PLATINA (A) SUJ. PASTILLAS TRAS. / REAR BRAKE PADS HOLDER (A) BRACKET	BE250022090	1
14	TORNILLO SUJECCIÓN PINZA / CALIPER HOLDER SCREW	BE250022096	1
15	TAPÓN SANGRADOR / BLEEDER CAP	BE250022055	1
16	SANGRADOR / BLEEDER	BE250022060	1
17	LATIGUILLO FRENO TRASERO NISSIN / NISSIN REAR BRAKE HOSE	BE250022004	1
18	PASTILLAS DE FRENO TRAS. / REAR BRAKE PADS	BE250022068	1
19	DISCO FRENO TRASERO / REAR BRAKE DISC	BE250322012	1
20	RADIO 192X4,5 LADO FRENO 18" / 18" BRAKE-SIDE SPOKE 192X4.5	BE250018015	18
21	RADIO 188X4,5 LADO CORONA 18" / 18" SPROCKET-SIDE SPOKE 188X4.5	BE250018014	18
22	CAMARA TRASERA 18 CR / REAR AIR HOSE 18 CR	BE25618004	1
23	PROTECTOR BANDA TRASERA 18 / 18 REAR RIM BAND	BE25618003	1
24	SOPORTE PINZA TRASERA / REAR CALIPER SUPPORT	BE250022120	1
25	TORNILLO GUIA / GUIDE SCREW	BE250022092	1
26	GUARDAPOLVO / DUST COVER	BE250022093	1
27	PINZA FRENO TRASERO CON SOPORTE EC-2003 / REAR BRAKE CALIPER	BE250322001	1
28	PASADOR PASTILLAS / BRAKE PADS PIN	BE250022094	1
29	PROTECCIÓN PASADOR / PIN PROTECTION	BE250022095	1
30	NEUMÁTICO TRASERO 140/80-18 / 140/80-18 REAR TYRE	BE25618005	1
31	AGARRE CUBIERTA TRASERA / REAR TYRE HOLDER	BE250218008	1
32	TUERCA CON ARANDELA ESTRIADA M-8 / M8 NUT WITH LOCK WASHER	BE25818060	1

N°	DESCRIPCION / DESCRIPTION	FSE 2003	Cant.
33	LLANTA 2.15X18 / 2.15X18 RIM	BE250118011	1
34	CUBO RUEDA TRASERA / REAR WHEEL HUB	BC25718027	1
35	DISTAN. RUEDA TRAS. INTE. ALUMINIO / ALUMINIUM REAR WHEEL SPACER	R575700	1
36	COJINETE 6004 2RSR / 6004 2RSR BEARING	C160001	1
37	DISTANCIADOR RUEDA TRASERA LARGO / LONG WHEEL SPACER	BE250318021	1
38	CORONA Z-48 / Z-48 SPROCKET	BE25618034	1
39	TUERCA AUTOBL. M-8 ALTA CORONA / M8 HIGH SELF-LOCKING SPROCKET NUT	BE25618031	6
40	ALLEN CÓNICO 8X30 / 8X30 CONIC ALLEN BOLT	BE25618030	6
41	TUERCA AUTOBLOC. RUEDA TRASERA / REAR WHEEL SELF-LOCKING NUT	BE25618023	1
42	CADENA 135 ORCX112 PASOS ENDURO 2003 / 135ORCX112 CHAIN EC2003	BE250310036	1
43	TUERCA RADIO TRASERA / REAR SPOKE NUT	BE250018016	36
44	RETEN / SEAL	C160710	1
45	PLATINA (B) SUJECCIÓN PAST. TRASERA / REAR BRAKE PADS HOLDER BRACKET (B)	BE250022091	1
46	PISTÓN PINZA FRENO TRASERA / REAR BRAKE CALIPER PISTON	BE250022044	1
47	TORICA PISTÓN PINZA FRENO TRASERA / REAR BRAKE CALIPER PISTON O'RING	BE250022047	1
48	RETÉN PISTÓN PINZA FRENO TRASERA / REAR BRAKE CALIPER PISTON SEAL	BE250022048	1
49	CTO. FRENO TRASERO PURGADO FSE 2003 / REAR BRAKE SET	BFS400322118	1
50	MUELLE DESVAPORIZADOR / BREATHE SPRING	M150000/2	1
51	TORNILLO ULS 6X16 / 6X16 ULS BOLT	T0506016	2
58	RUEDA TRASERA EC250-2003 / EC250-2003 REAR WHEEL SET	BE250318100	1
59	TUBO LIQUIDO FRENO / BRAKE FLUID TUBE	BFS400110116	1
61	ARANDELA 8X16X1 / 8X16X1 WASHER	T4008018	3
62	BRIDA UNEX CORTA 2,5X98 / 2,5X98 SHORT CLAMP	BE25634010	2

Nº	DESCRIPCION / DESCRIPTION	SM-FSE 2003	Cant.
1	DEPÓSITO LÍQUIDO DE FRENOS / BRAKE FLUID TANK	BE250110016SM	1
2	ABRAZADERA MUELLE M-11.6X12.03 02016098 ROSA / M-11.6 SPRING CLAMP	BE25610044/2	1
3	PASADOR 8X20 PEDAL FRENO / BRAKE PEDAL PIN 8X20	BE25622026	1
4	CLAVILLA PASADOR FRENO 2X20 / 2X20 BRAKE PEDAL PIN STOPPER	BE25622027	1
5	BOMBA FRENO TRASERO NISSIN R2MRC019 / NISSIN REAR BRAKE PUMP	BE25622010/2	1
6	INTERRUPTOR 23.024/1 STOP BOMBA NISSIN / NISSIN BRAKE PUMP STOP SWITCH	BE250034003/2	1
7	ARANDELA LATIGUILLO 10X14X1 / 10X14X1 HOSE WASHER	BE25622007	4
8	RODAMIENTO 6205 2RSR / BUSHING 6205 2RSR	C180700	1
9	RETEN RUEDA TRASERA / REAR WHEEL SEAL	C180710	1
10	DISTANCIADOR RUEDA TRASERA CORTO / SHORT REAR WHEEL SPACER	BE250018025	1
11	EJE RUEDA TRASERA / REAR WHEEL AXIS	BE25618020	1
12	HEXAGONAL 6X16 DISCO TRASERO / 6X16 REAR DISC BRAKE HEX. SCREW	BE25618032	6
13	PLATINA (A) SUJ. PASTILLAS TRAS. / REAR BRAKE PADS HOLDER (A) BRACKET	BE250022090	1
14	TORNILLO SUJECCIÓN PINZA / CALIPER HOLDER SCREW	BE250022096	1
15	TAPÓN SANGRADOR / BLEEDER CAP	BE250022055	1
16	SANGRADOR / BLEEDER	BE250022060	1
17	LATIGUILLO FRENO TRASERO NISSIN / NISSIN REAR BRAKE HOSE	BE250022004	1
18	PASTILLAS DE FRENO TRAS. / REAR BRAKE PADS	BE250022068	1
19	DISCO FRENO TRASERO / REAR BRAKE DISC	BE250222012	1
20	RADIO 170X4 LADO FRENO / BRAKE-SIDE SPOKE 170X4	BE250118015SM	18
21	RADIO 168X4 LADO CORONA / SPROCKET-SIDE SPOKE 168X4	BE250118014SM	18
22	CAMARA TRASERA 17 CG / REAR AIR HOSE 17 CG	BE250118004SM	1
23	PROTECTOR BANDA TRASERA 18 / 18 REAR RIM BAND	BE250118028SM	1
24	SOPORTE PINZA TRASERA / REAR CALIPER SUPPORT	BE250022120	1
25	TORNILLO GUIA / GUIDE SCREW	BE250022092	1
26	GUARDAPOLVO / DUST COVER	BE250022093	1
27	PINZA FRENO TRASERO CON SOPORTE EC-2003 / REAR BRAKE CALIPER	BE250322001	1
28	PASADOR PASTILLAS / BRAKE PADS PIN	BE250022094	1
29	PROTECCIÓN PASADOR / PIN PROTECTION	BE250022095	1
30	NEUMÁTICO TRASERO 150/60 ZR17 / 150/60 ZR17 REAR TYRE	BE250118005SM	1
31	AGARRE CUBIERTA TRASERA / REAR TYRE HOLDER	BE250218008	1
32	TUERCA CON ARANDELA ESTRIADA M-8 / M8 NUT WITH LOCK WASHER	BE25818060	1

N°	DESCRIPCION / DESCRIPTION	SM-FSE 2003	Cant.
33	LLANTA 2.15X18 / 2.15X18 RIM	BE250118011	1
34	CUBO RUEDA TRASERA / REAR WHEEL HUB	BC25718027	1
35	DISTAN. RUEDA TRAS. INTE. ALUMINIO / ALUMINIUM REAR WHEEL SPACER	R575700	1
36	COJINETE 6004 2RSR / 6004 2RSR BEARING	C160001	1
37	DISTANCIADOR RUEDA TRASERA LARGO / LONG WHEEL SPACER	BE250318021	1
38	CORONA Z-42 / Z-42 SPROCKET	BE250118034SM	1
39	TUERCA AUTOBL. M-8 ALTA CORONA / M8 HIGH SELF-LOCKING SPROCKET NUT	BE25618031	6
40	ALLEN CÓNICO 8X30 / 8X30 CONIC ALLEN BOLT	BE25618030	6
41	TUERCA AUTOBLOC. RUEDA TRASERA / REAR WHEEL SELF-LOCKING NUT	BE25618023	1
42	CADENA / CHAIN	BE250110036SM	1
43	TUERCA RADIO TRASERA / REAR SPOKE NUT	BE250118016SM	36
44	RETEN / SEAL	C160710	1
45	PLATINA (B) SUJECCIÓN PAST. TRASERA / REAR BRAKE PADS HOLDER BRACKET (B)	BE250022091	1
46	PISTÓN PINZA FRENO TRASERA / REAR BRAKE CALIPER PISTON	BE250022044	1
47	TORICA PISTÓN PINZA FRENO TRASERA / REAR BRAKE CALIPER PISTON O'RING	BE250022047	1
48	RETÉN PISTÓN PINZA FRENO TRASERA / REAR BRAKE CALIPER PISTON SEAL	BE250022048	1
49	CTO. FRENO TRASERO PURGADO FSE 2003 / REAR BRAKE SET	BFS400322118C	1
50	MUELLE DESVAPORIZADOR / BREATHE SPRING	M150000/2	1
51	TORNILLO ULS 6X16 / 6X16 ULS BOLT	T0506016	2
58	RUEDA TRASERA SM FSE / SM FSE REAR WHEEL SET	BE250118100SM	1
59	TUBO LIQUIDO FRENO / BRAKE FLUID TUBE	BE250010116	1
61	ARANDELA 8X16X1 / 8X16X1 WASHER	T4008018	3
62	BRIDA UNEX CORTA 2,5X98 / 2,5X98 SHORT CLAMP	BE25634010	2



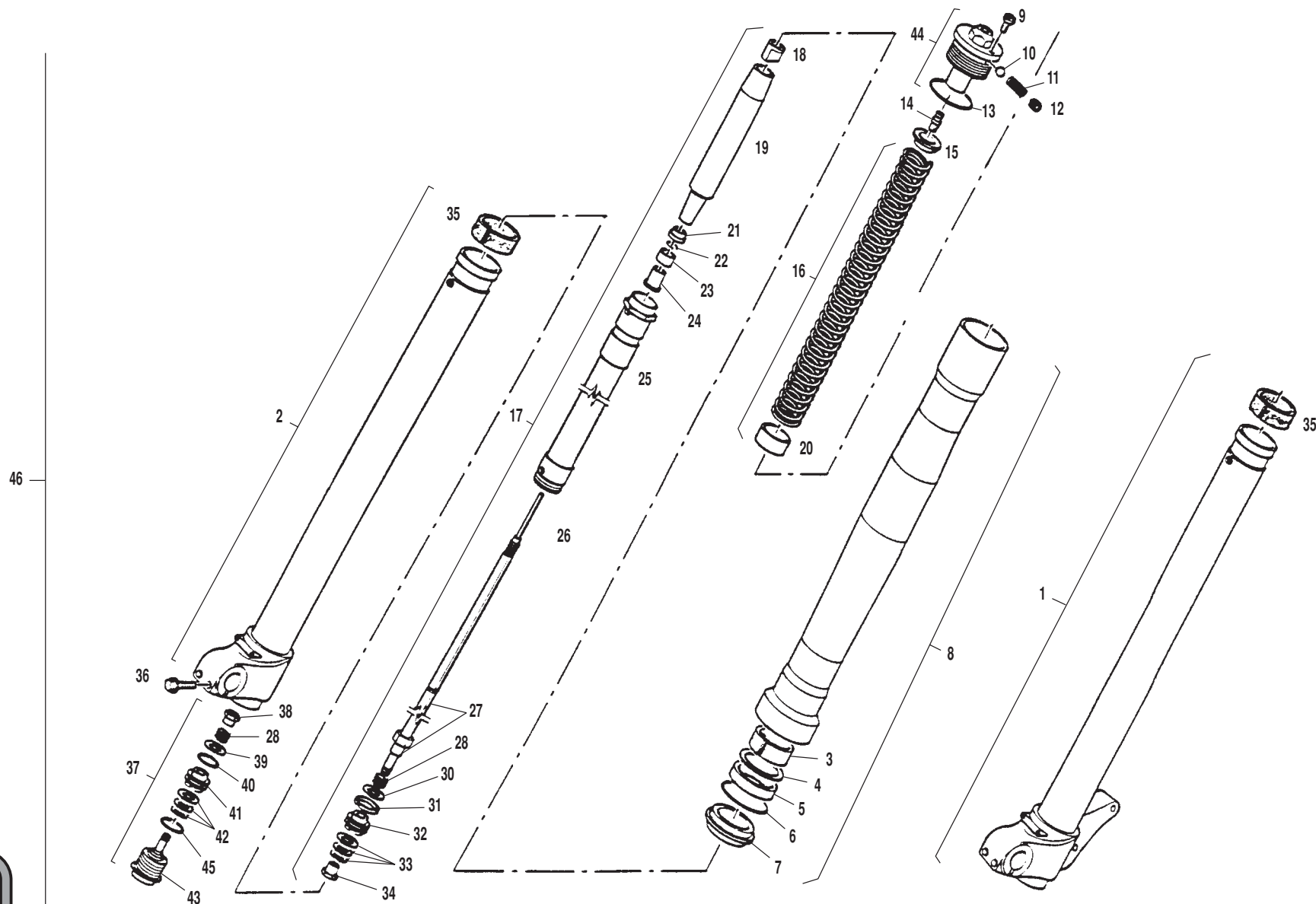
N°	DESCRIPCION / DESCRIPTION	FSE 2003	Cant.
1	CTO. TAPÓN BOTELLA M51X1,5 / OUTER TUBE CAP SET M51X1.5	BC250014102	2
2	BARRA SUSPENSIÓN D. 54/57 / INNER TUBE 54/57	BC250014110	2
3	GLACIER BOTELLA D. 47X43X20 / OUTER TUBE GLACIER 47X43X20	BC250014134	2
4	ANILLO CIERRE D. 45 / CLOSER RING 45	BC250014133	2
5	RETEN SUSPENSION D. 43X53. 15X9,5 / FORK SEAL 43X53 15X9.5	BC250014212	2
6	CLIP SB53 / SB53 CLIP	BC250014182	2
7	GUARDAPOLVO SUSPENSIÓN D. 43 / DUST COVER D-43	BC250014131	2
8	TUBO BOTELLA D. 43 / OUTER TUBE 43	BC250014206	2
9	GLACIER BARRA D. 43,8X43X20 / INNER TUBE GLACIER 43.8X42X20	BC250014111	2
10	SEEGER D. 53 / SEEGER D. 53	BC250014224	2
11	RETENEDOR L200 D. 27,5 CPL / RETAINER	BC250014220	2
12	VARILLA L512 / PIN	BC250014116	2
13	PISTÓN D. 14 M11X1 L546 / PISTON	BC250014178	2
14	EJE RECUPERACIÓN / AXIS	BC250014218	2
15	TORICA NBR. 3X1,5 / O'RING	BC250014172	2
16	MUELLE HIDRÁULICO / HYDRAULIC SPRING	BC250014173	2
17A	DISTANCIADOR 42X26,5X2,5 / SPACER 42X26,5X2,5	BC250014184	2
17B	DISTANCIADOR 42X26,5X5 / SPACER 42X26,5X10	BC250014222	2
17C	DISTANCIADOR 42X26,5X10 / SPACER 42X26,5X10	BC250014223	2
18	ARO D. 26,5X42X1,5 / WASHER 26,5X42X1,5	BC250014221	2
19	JUEGO MUELLE BOTELLA / BOTTLE SPRING SET	BC250014108	2
20	TORNILLO APRIETE M29,3X1 / FIXING BOLT	BC250014219	2
21	DISTANCIADOR D. 26,2X38,5X3 / SPACER	BC250014128	2
22	MUELLE REBOTE D.14,6 L22 / REBOUND SPRING	BC250014194	2
23	PISTÓN / PISTON	BC250014195	2
24	MUELLE VALVULA / VALVE SPRING	BC250014197	2
25	PISTÓN / PISTON	BC250014200	2
26	JUEGO ARANDELAS D.8X24X0,1 / WASHER SET	BC250014216	8
27	TUERCA M6X0,5 / NUT M6X0,5	BC25714202	2
28	JUEGO ARANDELAS / WASHER SET	BC250014217	2
29	TUBO HIDRÁULICO D. 29 M29,3X1 / HYDRAULIC TUBE	BC250014117	2
30	TORNILLO REGULACIÓN VARILLA M6X0.5 / PIN REGULATOR SCREW	BC25714170	2

Nº	DESCRIPCION / DESCRIPTION	EC-FSE 2003	Cant.
31	MUELLE VARILLA VÁLVULA / PIN VALVE SPRING	BC25714135	2
32	PISTON COMPRESIÓN / COMPRESSION PISTON	BC250014140	2
33	ARANDELA VALVULA D. 8X24X0,4 / VALVE WASHER	BC250014215	2
34	TORICA COMPRESIÓN NBR 21X2 / COMPRESSION O'RING	BC250014204	2
35	ARANDELAS TAPÓN COMPRESIÓN 6X18X0,2 / COMPRESSION CAP WASHERS	BC250014136	2
36	TAPÓN COMPRESIÓN / COMPRESSION CAP	BC250014139	2
37	PUNTERA SUSPENSIÓN IZQUIERDA / LEFTT FRONT BOTTLE END	BC250014143	1
38	PUNTERA BOTELLA DERECHA / RIGHT FRONT BOTTLE END	BC250014142	1
39	TORNILLO BASE BOTELLA M8X30 / BOTTLE BASE SCREW M8X30	BC250014209	4
40	SUSPENSIÓN DELANTERA INVERTIDA 43. WP / WP UPSIDE-DOWN FRONT FORK	BC250014000	1
41	SEGMENTO / SEGMENT	BC250014113	2
42	JUEGO PROTECTOR HORQUILLA / FORK PROTECTORS SET	BC250114040	1
44	CASQUILLO PROTECTOR SUSPENSIÓN / FORK PROTECTOR BUSHING	BC250014050	8
45	FIJACIÓN LATIGUILLO IZQUIERDO / LEFT HOSE HOLDER	BC250014155	1
46	FIJACIÓN LATIGUILLO DERECHO / RIGHT HOSE HOLDER	BC250014156	1
47	TORNILLO / SCREW	T0206016	2
48	TORNILLO / SCREW	T0316012	6
49	CTO. SUSPENSIÓN WP DELANTERA / FRONT SUSPENSION WP SET	BC250214000	1

Horquilla MARZOCCHI / MARZOCCHI Fork

GAS GAS

FSE 2003

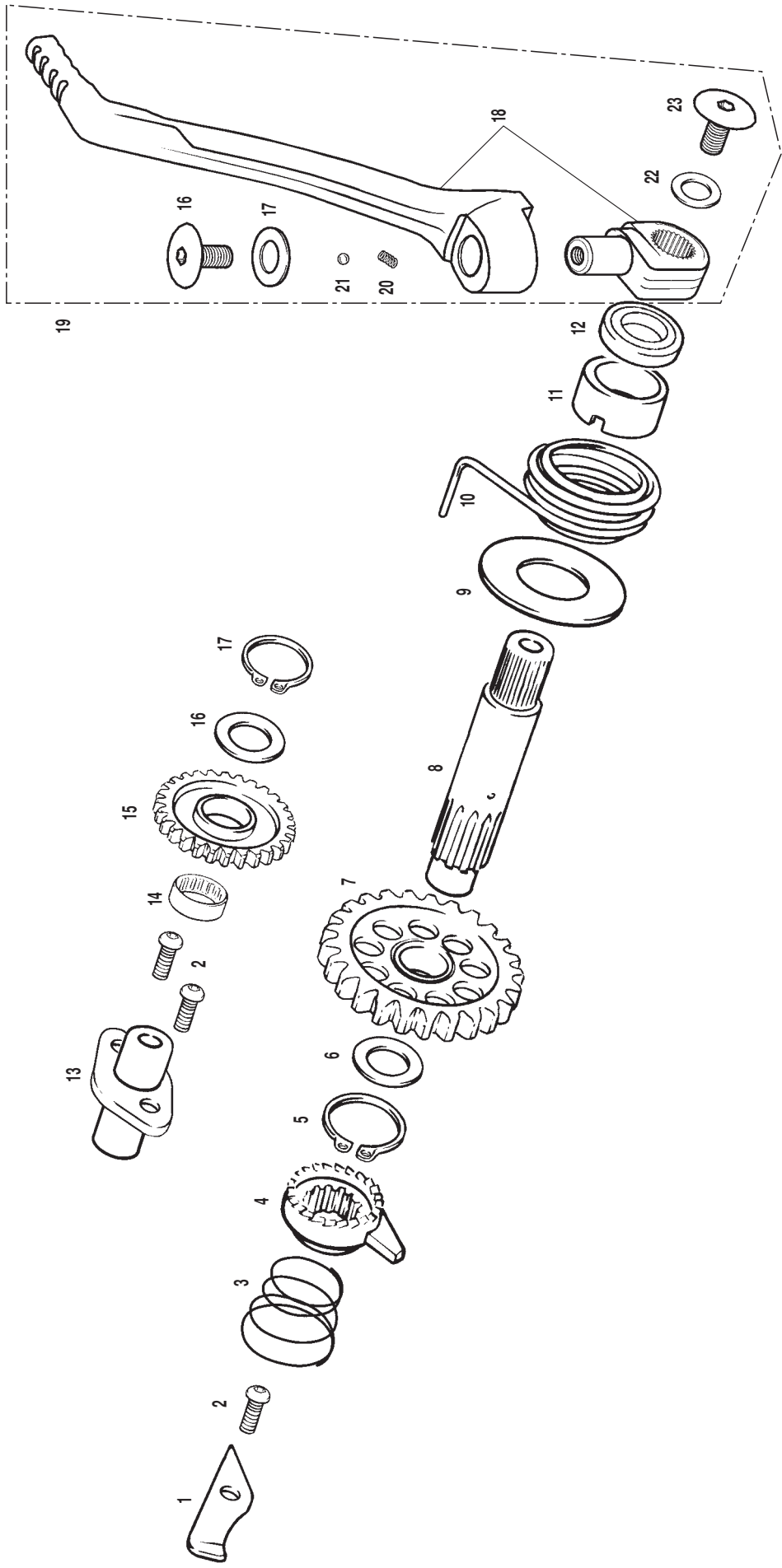


N°	DESCRIPCION / DESCRIPTION	FSE 2003	Cant.
1	BASE HORQUILLA IZQUIERDA / LEFT FORK BASE	BE250114143	1
2	BASE HORQUILLA DERECHA / RIGHT FORK BASE	BE250114142	1
3	GLACIER BOTELLA / GLACIER	BE25714134	2
4	ANILLO DE CIERRE / CLOSE RING	BE250114133	2
5	RETÉN SUSPENSIÓN 45X58X11 / SUSPENSION SEAL	C240701	2
6	ANILLO DE CIERRE / CLOSE RING	BE25714132	2
7	GUARDAPOLVO / DUSTKEEPER	BE25714131	2
8	CTO. BARRA SUSPENSIÓN / FORK SET	BE250114110	2
9	TORNILLO Y JUNTA TÓRICA / BOLT AND O'RING	BE25714103	2
10	TÓRICA TAPÓN REGULACIÓN / REGULATION CAP O'RING	BE250114225	2
11	MUELLE TAPÓN REGULACIÓN / REGULATION CAP SPRING	BE250114226	2
12	TORNILLO PEQUEÑO TAPÓN REGULACIÓN / SMALL BOLT	BE250114227	2
13	TÓRICA TAPÓN REGULACIÓN / REGULATION CAP O'RING	BE250114104	2
14	CASQUILLO REGULACIÓN / REGULATION BUSHING	BE250114112	2
15	CASQUILLO GUIA MUELLE / SPRING GUIDE BUSHING	BE250114107	2
16	KIT MUELLE Y CASQUILLO / BUSHING AND SPRING SET	BE250114228	1
17	CONJ. AMORTIGUACIÓN SUSPENSIÓN / SUSPENSION SET	BE250114129	2
18	TUERCA BLOQUEADOR M12X25 / LOCKER NUT	BE250114242	2
19	TUBO GUIA MUELLE / SPRING GUIDE TUBE	BE250114229	2
20	TOPE PRECARGA / PRELOAD HOLDER	BE250114109	2
21	TOPE DE FONDO / BOTTOM HOLDER	BE250114230	2
22	ANILLO RETENCIÓN / HOLDER RING	BE250114231	2
23	TOPE FONDO HUG D45 / BOTTOM HOLDER HUG D45	BE250114232	2
24	TOPE FONDO USD D45 / BOTTOM HOLDER USD D45	BE250114233	2
25	CARTUCHO AMORTIGUADOR / SUSPENSION CARTRIDGE	BE250114114	2
26	VARILLA INTERNA / INTERNAL PIN	BE250114234	2
27	CTO. VARILLA / PIN SET	BE250114116	2
28	CASQUILLO VARILLA / PIN BUSHING	BE250114118	4
29	CLIP PROTECCIÓN HORQUILLA MARZOCCHI / PROTECTION CLIP	BE250114051	2
30	JUNTA 19X8.1X0.3 / GASKET 19X8.1X0.3	BE250114235	2
30	JUNTA 21X8.1X0.3 / GASKET 21X8.1X0.3	BE250114236	2
30	JUNTA 20X8.1X0.3 / GASKET 20X8.1X0.3	BE250114237	2

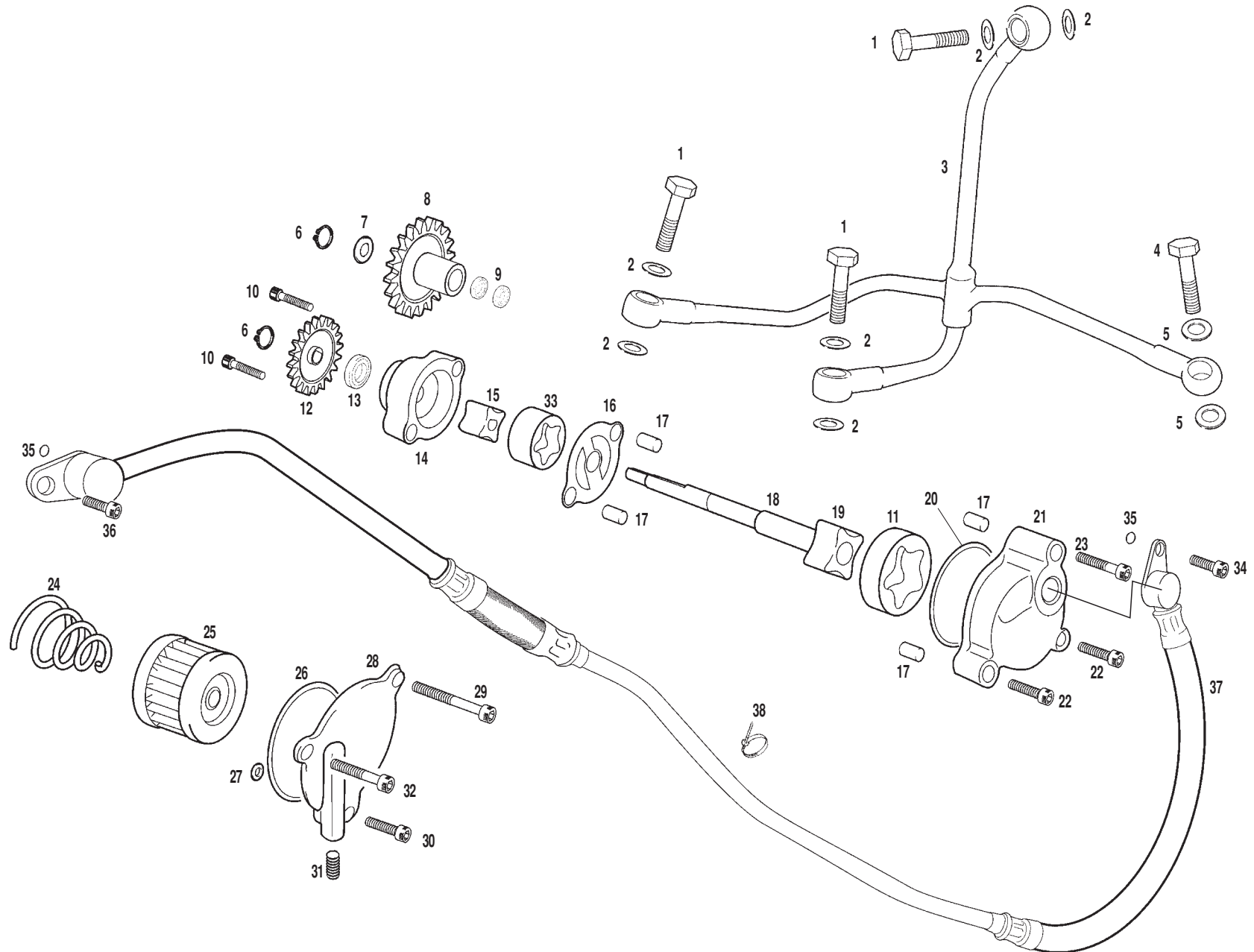
Nº	DESCRIPCION / DESCRIPTION	EC-FSE 2003	SM -FSE	Cant.
30	JUNTA 23X8.1X0.2 / GASKET 23X8.1X0.2	BE250114243		2
31	SEGMENTO PISTÓN / PISTON SEGMENT	BE250114120		2
32	PISTÓN SUSPENSIÓN / SUSPENSION PISTON	BE250114119		2
33	ARANDELA SUSPENSIÓN 15X8.1X0.1 / SUSPENSION WASHER	BE250114238		2
33	ARANDELA SUSPENSIÓN 19X8.1X0.1 / SUSPENSION WASHER	BE250114239		2
33	ARANDELA SUSPENSIÓN 17X8.1X0.1 / SUSPENSION WASHER	BE250114240		2
33	ARANDELA SUSPENSIÓN 21X8.1X0.1 / SUSPENSION WASHER	BE250114241		4
34	VÁLVULA BASE / BASE VALVE	BE250114126		2
35	CASQUILLO INTERIOR BOTELLA / INNER BUSHING	BE250114128		2
36	TORNILLO 6X25 DIN 6921 8.8 / BOLT 6X25	BE250114144		4
37	GRUPO AMORTIGUADOR / SUSPENSION GROUP	BE250114124		2
38	CASQUILLO M6X0.75 / BUSHING	BE250114244		2
39	JUNTA 23X8.1X0.3 C72 BLU / GASKET 23X8.1X0.3	BE250114245		2
40	TÓRICA 2087 D21.95 S1.78 / O`RING 2087	BE250114246		2
41	PISTÓN D.26 SINTER. / PISTON D.26	BE250114247		2
42	JUNTA 15X8.1X0.1 / GASKET 15X8.1X0.1	BE250114248		2
42	JUNTA 19X8.1X0.1 / GASKET 19X8.1X0.1	BE250114248-1		2
42	JUNTA 23X8.1X0.1 / GASKET 23X8.1X0.1	BE250114248-2		6
42	JUNTA 17X8.1X0.1 / GASKET 17X8.1X0.1	BE250114248-3		2
42	JUNTA 20X8.1X0.1 / GASKET 20X8.1X0.1	BE250114248-4		2
42	JUNTA 22X8.1X0.1 / GASKET 22X8.1X0.1	BE250114248-5		2
42	JUNTA 12X8.1X0.1 / GASKET 12X8.1X0.1	BE250114248-6		2
42	JUNTA 14X8.1X0.1 / GASKET 14X8.1X0.1	BE250114248-7		4
42	JUNTA 16X8.1X0.1 / GASKET 16X8.1X0.1	BE250114248-8		2
43	VÁLVULA DE AJUSTE / ADJUSTING VALVE	BE250114249		2
44	CTO. TAPÓN REGULACIÓN / REGULATION CAP SET	BE250114105		2
45	TÓRICA 2100 D25.1 S1.78 / O`RING 2100	BE250114		2
46	CTO. SUSPENSION DELANTERA MARZOCCHI / MARZOCCHI FRONT SUSP.	BFS400314000MZ	BE250114000	1

N°	DESCRIPCION / DESCRIPTION	FSE 2003	Cant.
1	LOCK NUT		2
2	SCREW		2
3	O-RING		2
4	TOP CAP		2
5	CIRCLIP		2
6	O-RING		2
7	ADJUSTMENT SCREW		1
8	SPRING		2
9	BALL		4
10	ADJUSTMENT ROD		2
11	O-RING		2
12	NEEDLE HOUSING		2
13	GUIDING SLEEVE		2
14	SLEEVE		2
15	HYDRAULIC STOP		2
16	CIRCLIP		2
17	CIRCLIP		2
18	CYLINDER TUBE CAP		2
19	BUSHING HOLDER		2
20	O-RING		2
21	BUSHING		2
22	WASHER		2
23	SHAFT		2
24	SPRING		2
25	O-RING		2
26	REBOUND NEEDLE		2
27	SPRING		2
28	PISTON HOLDER		2
29	SHIM WASHER		8
30	WAVE WASHER		6
31	SHIMS		
32	REBOUND PISTON		2
33	PISTON RING		2
34	SHIM		
36	CLAMP WASHER		2
37	WASHER		2

Nº	DESCRIPCION / DESCRIPTION	FSE 2003	Cant.
38	LOCK NUT		2
39	CIRCLIP		2
40	O-RING		2
41	ADJUSTMENT NEEDLE		2
42	END PIECE		2
43	O-RING		2
44	CLAMP WASHER		2
45	SHIMS		2
46	COMPRESSION PISTON		2
47	O-RING		2
48	SHIMS		2
49	O-RING		2
50	SPRING SUPPORT		2
51	PRELOAD WASHER		
52	SPRING FRONT FORK		2
53	FORK LEG OUTER		2
54	COVER STICKER ÖHLINS		2
55	CIRCLIP		2
56	BUSHING LOWER		4
57	SLEEVE		2
59	WASHER		2
60	SEAL		2
61	CIRCLIP		2
62	SCRAPER		2
63	CILINDER TUBE CARTRIDGE		2
64	BUSHING UPPER		2
65	FORK LEG INNER		2
66	PROTECTOR HORQUILLA / COVER FORK LEG PAIR	BC250114040	1
67	O-RING		2
68	BOLT		6
69	BOLT FORK BOTTOM		4
70	FORK BOTTOM LEFT		1
71	FORK BOTTOM RIGHT		1
72			1
73	CTO. SUSPENSION DELANTERA ÖHLINS / ÖHLINS FRONT SUSPENSION SET	BE250314000OH	1

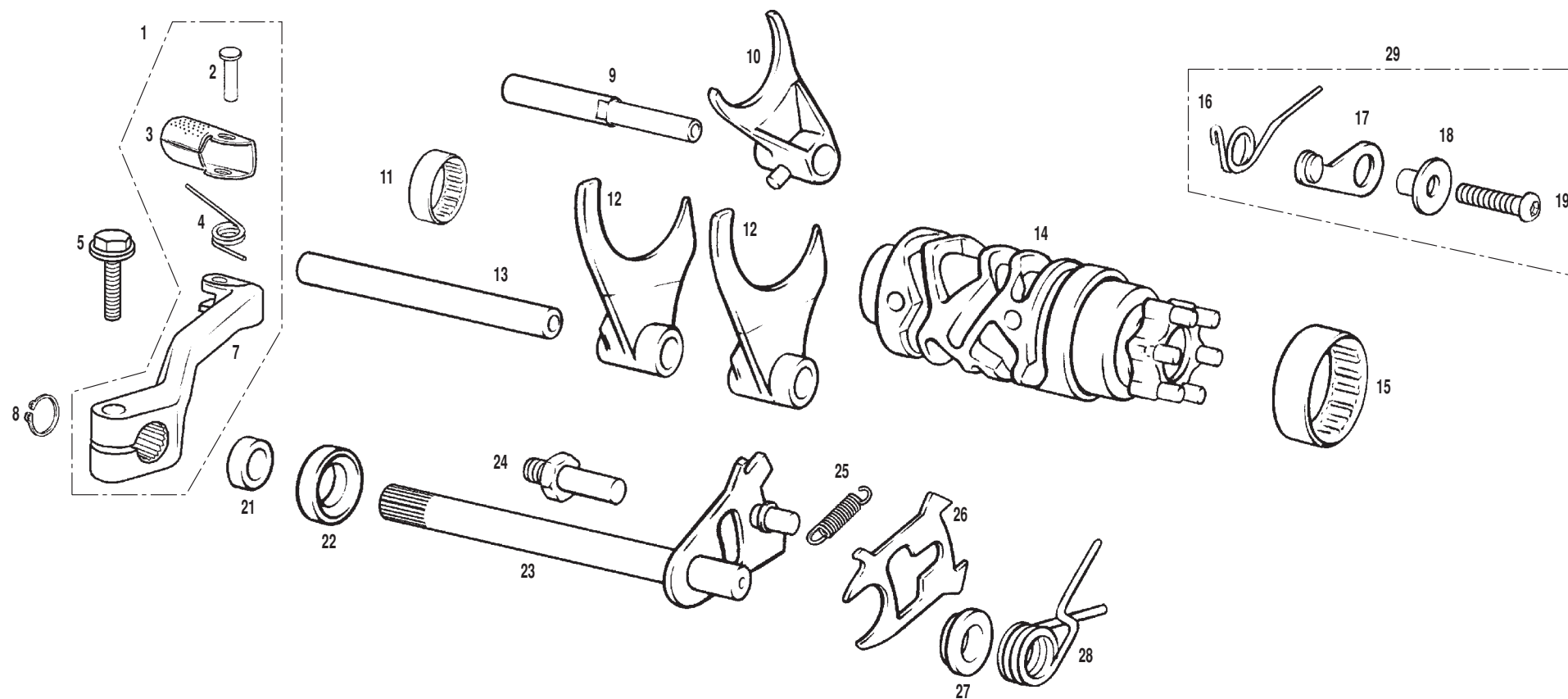


Nº	DESCRIPCION / DESCRIPTION	FSE 2003	Cant.
1	PLATINA TRINQUETE ARRANQUE / KICKSTARTER GUIDE	MFS400136005	1
2	ULS 6X12 / 6X12 ULS	T0506012	3
3	MUELLE TRINQUETE ARRANQUE / KICKSTARTER SPRING	ME25636006	1
4	TRINQUETE ARRANQUE / KICKSTARTER	ME250126004	1
5	SEEGER DE 20 ARRANQUE / CIRCLIP	ME25636052	1
6	ARANDELA TOPE 27X20,2X1 DESP. ARRANQUE / END WASHER 27X20.2X1	ME25636000	1
7	PIÑON ARRANQUE / KICKDRIVE GEAR	ME250126002	1
8	EJE ARRANQUE / KICKSTARTER SHAFT	ME250126003	1
9	ARANDELA ARRANQUE 20X40X1 / KICKSTARTER WASHER 20X40X1	ME25636051	1
10	MUELLE ARRANQUE / KICKSTARTER SPRING	ME25636007	1
11	CASQUILLO CENTRADOR MUELLE ARRANQUE / KICKSTARTER SPRING BUSHING	ME250136053	1
12	RETEN PEDAL ARRANQUE 20X30X7 / KICKSTARTER OIL SEAL 20X30X7	ME25632021	1
13	SOPORTE PIÑON / BEARING SUPPORT	MFS400126010	1
14	JAULA AGUJAS K15X18X14 TN / K15X18X14 TN NEEDLES BEARING	MFS400126011	1
15	PIÑON INTERIOR ARRANQUE / KICKSTART INNER PINION	MFS400126001	1
16	VOLANDERA PIÑON ARRAN.24X15,15X0,8 / WASHER 24.15.15X0.8	ME25636012	1
17	SEEGER EJE 15 EMBRAGUE / CLUTCH AXLE SEEGER 15	ME25632017	1
18	PEDAL Y MUÑEQUILLA PEDAL ARRANQUE / KICKSTARTER LEVER BASE	ME250036061	1
19	CTO. PEDAL ARRANQUE ALUM. MUÑ. D.18 / KICKSTARTER LEVER SET	MFS400126060	1
20	MUELLE MUÑEQUILLA PEDAL ARRANQUE / KICKSTARTER LEVER SPRING	ME250036066	1
21	BOLA MUÑEQUILLA PEDAL ARRANQUE / KICKSTARTER LEVERBALL	ME250036062	1
22	ARANDELA 6X20X1.5 / WASHER 6X20X1.5	T4006020	1
23	TORNILLO 6X12 CABOTA TORK / TORK SCREW 6X12	T0316012	1

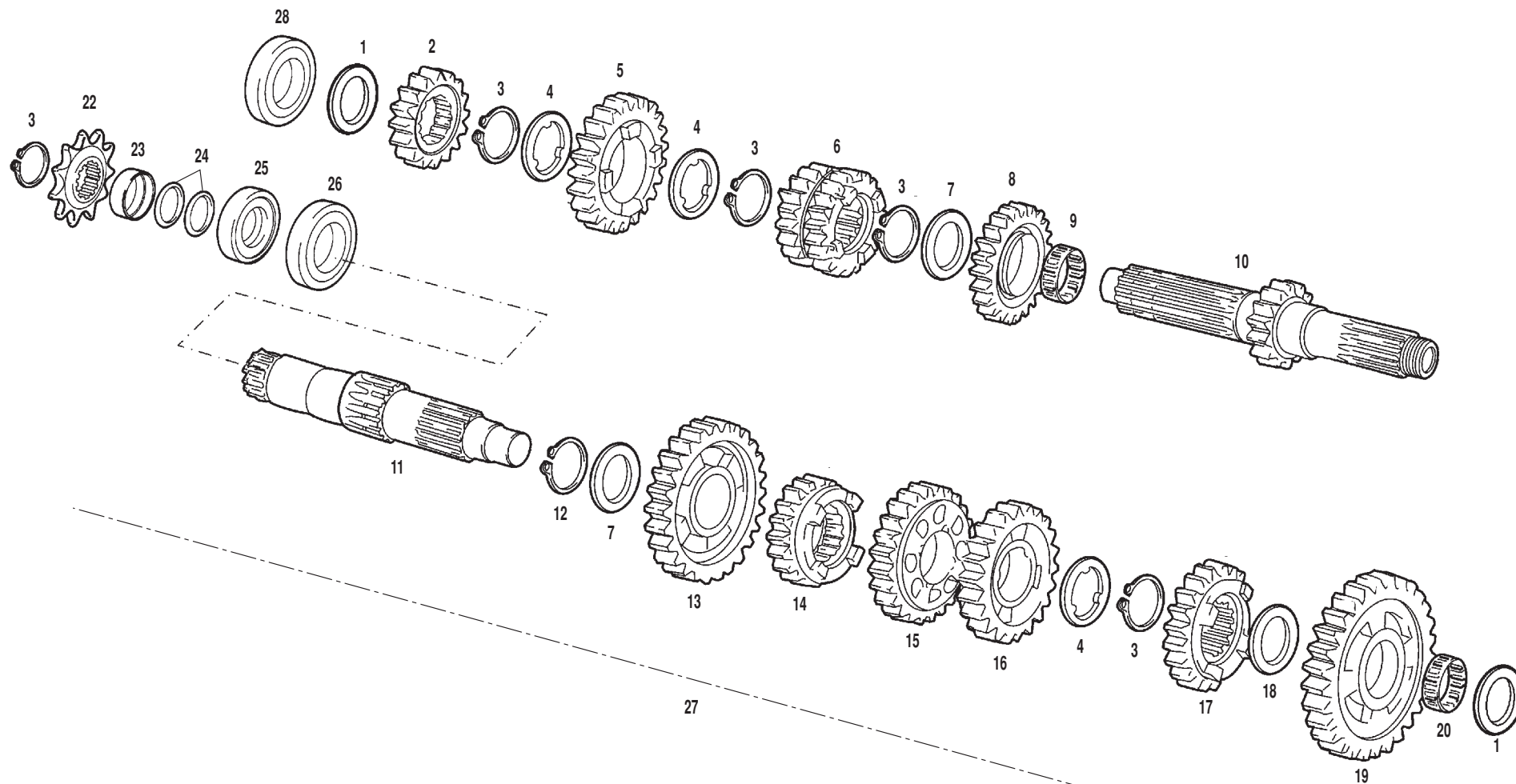


Nº	DESCRIPCION / DESCRIPTION	FSE 2003	Cant.
1	RACORD CIRCUITO ACEITE / RACORD 22 MM.	MFS400122570	3
2	ARANDELA COBRE 8X12X1,5 / 8X12X1,5 WASHER	T4008012	6
3	DISTRIBUIDOR ACEITE / OIL SUPPLY	BFS400110856	1
4	TORNILLO RACORD / RACORD 10 MM.	MFS40011024	1
5	ARANDELA COBRE 11x15x1.5 / 11x15x1.5 WASHER	T4001115	2
6	SEEGER D.8 EJE BOMBA ACEITE / OIL AXIS SEEGER	MFS400122305	2
7	ARANDELA REGLAJE 08,1X17X0.2 / 08,1X17X0.2 WASHER	ST950705	1
8	RUEDA DENTADA / COG WHEEL	MFS400122450	2
9	COJINETE HK 0808 / HK 0808 BEARING	MFS400126535	2
10	TORNILLO 6X35 / 6X35 SCREW	T0306035	1
11	ANILLO BOMBA RECUPERACIÓN D.44 / RETRIEVABLE PUMP RING	MFS400122120	1
12	PIÑÓN BOMBA ACEITE / OIL PUMP PINION	MFS400122400	1
13	COJINETE 508Z / 508Z BEARING	ME25616032	1
14	CUERPO BOMBA ACEITE PRESIÓN / OIL PUMP BODY	MFS400122230	1
15	ROTOR BOMBA ACEITE / OIL PUMP ROTOR	MFS400122105	1
16	JUNTA BOMBA ACEITE / OIL PUMP GASKET	MFS400122410	4
17	CASQUILLO CENTRADOR / CENTRER BUSHING	MFS400116066	1
18	EJE BOMBA ACEITE / OIL PUMP AXLE	MFS400122300	1
19	ROTOR BOMBA RETORNO / RETURN OIL ROTOR	MFS400122100	1
20	TORICA TAPA BOMBA ACEITE RETORNO / RETURN OIL PUMP COVER O'RING	MFS400122131	1
21	TAPA BOMBA ACEITE RETORNO / OIL PUMP COVER	MFS400122130	2
22	ALLEN 6X25 / ALLEN BOLT 6X25	T0306025	1
23	ALLEN 6X45 / ALLEN BOLT 6X45	T0306045	1
24	MUELLE APRETADOR FILTRO ACEITE / OIL FILTER SPRING	MFS400122560	1
25	FILTRO ACEITE / OIL FILTER	MFS400122550	1
26	TORICA TAPA FILTRO ACEITE / OIL FILTER COVER O'RING	MFS400122555	1
27	TORICA 6X2 EJE CENTR.VAL.ESCAPE / 6X2 O'RING	ME25616045	1
28	TAPA FILTRO ACEITE / AIR FILTER COVER	MFS400122551	1
29	ALLEN 6X50 / ALLEN BOLT 6X50	T0306050	1
30	ALLEN 6X20 / ALLEN BOLT 6X20	T0306020	1
31	TORNILLO ESPECIAL M8 / SPECIAL SCREW M8	T0208108	1
32	ALLEN 6X55 / ALLEN BOLT 6X55	T0306055	1
33	ANILLO BOMBA EATON PRESIÓN / EATON PRESSURE PUMP RING	MFS400122110	1

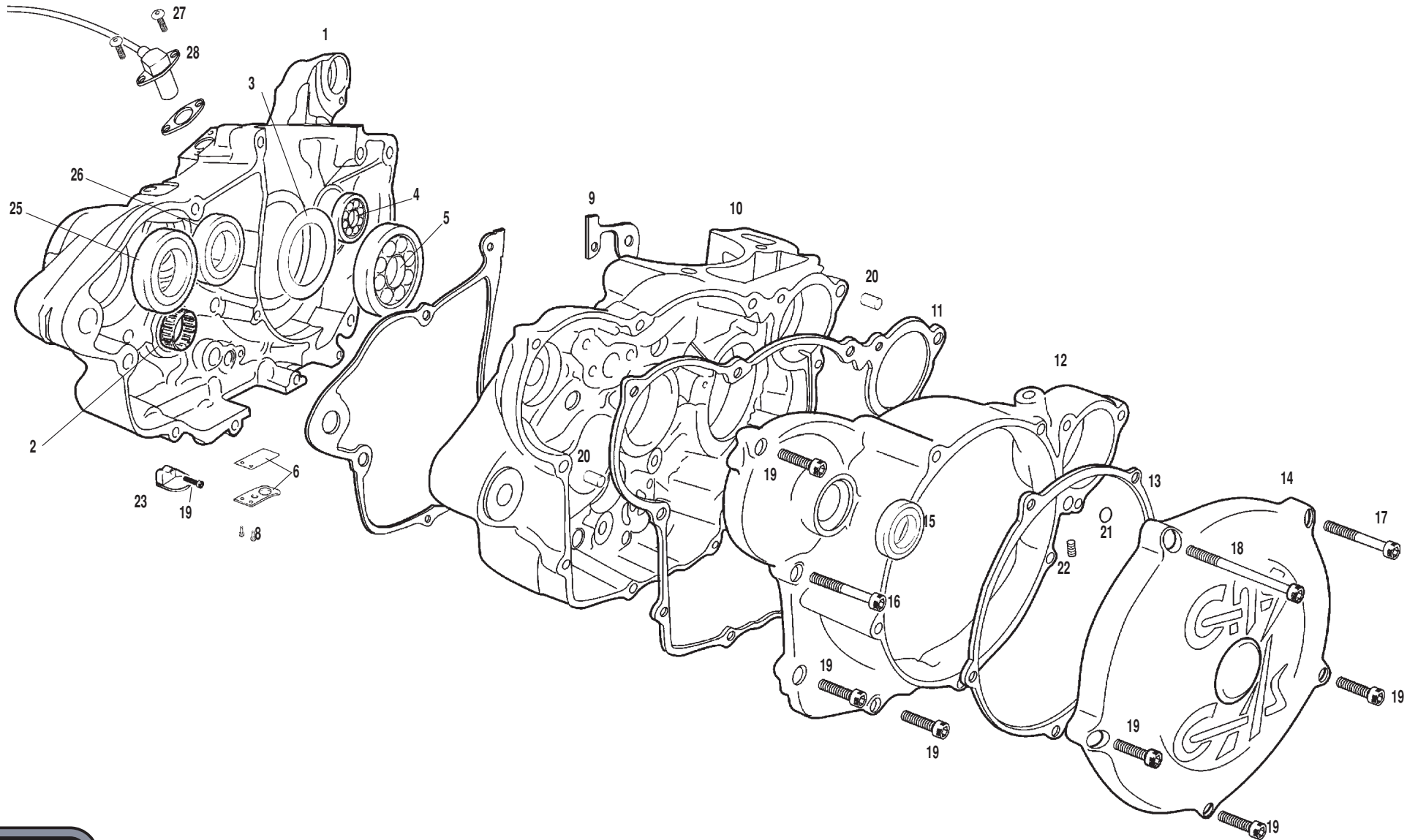
N°	DESCRIPCION / DESCRIPTION	FSE 2003	Cant.
34	ALLEN 6X12 / 6X12 ALLEN BOLT	T0306012	1
35	TORICA CENTRÍFUGO 6X2	ME25616045	2
36	ALLEN 6X40 / 6X40 ALLEN BOLT	T0306040	1
37	CTO.TUBO METALICO RETORNO / OIL RETURN METALLIC HOSE SET	BFS400232216	1
38	BRIDA MEDIANA 4,8X20 / 4,8X20 CLAMP	BE25634008	1



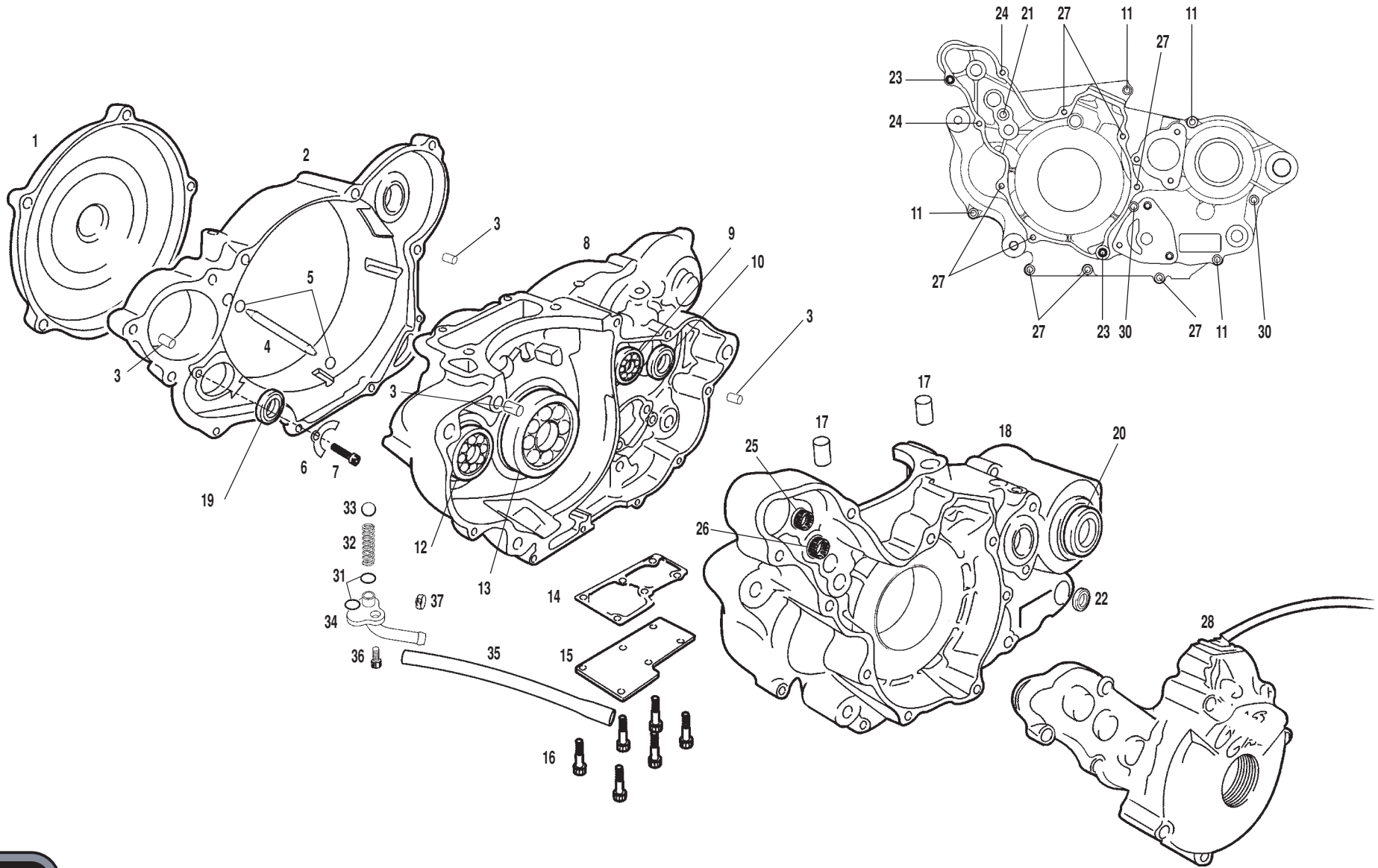
Nº	DESCRIPCION / DESCRIPTION	FSE 400 c.c.	Cant.
1	CTO. PEDAL CAMBIO / GEAR LEVER SET	ME250036026R	1
2	PASADOR PUNTERA PEDAL 6X18 / LEVER END PIN 6X18	ME25636030	1
3	PUNTERA PEDAL CAMBIO / GEAR LEVER END	ME25636027	1
4	MUELLE PUNTERA PEDAL CAMB. / GEAR LEVER END SPRING	ME25636029	1
5	HEXAGONAL 6X25 / HEXAGONAL BOLT 6X25	T0106025	1
7	PEDAL CAMBIO / GEAR LEVER	ME250036026	1
8	SEEGER 12X1 EXTERIOR EJE SELECTOR / SEEGER 12X1	ME25636043	1
9	EJE HORQUILLA 5-6 / 5-6 FORK AXIS	MFS400136045	1
10	HORQUILLA 5-6 / SHIFT FORK 5-6	ME25636009	1
11	RODAMIENTO HK2512 DESMODROMICO / SHIFT CAM BEARING	ME25636055	1
12	HORQUILLA 1-2-3-4 / SHIFT FORK 1-2-3-4	ME25636008	2
13	EJE HORQUILLA 1-2-3-4 / 1-2-3-4 FORK AXIS	ME25636044	1
14	DESMODROMICO / SHIFT CAM	MFS400138031	1
15	RODAMIENTO HK3512 DESMODROMICO / SHIFT CAM BEARING	ME25636054	1
16	MUELLE FIJADOR MARCHAS / GEAR FASTEN SPRING	MFS400136034	1
17	FIJADOR MARCHAS / GEAR FASTEN	MFS400136033	1
18	CASQUILLO PLATINA FIJADOR MARCHAS / GEAR BUSHING	MFS400136047	1
19	ULS 6X16 / 6X16 ULS	T0506016	1
21	RETEN SELECTOR 12-22-7 / SEAL 12-22-7	ME25636048	1
22	CASQUILLO EJE SELECTOR / AXIS BUSHING	ME250136050	1
23	EJE SELECTOR / SELECTOR AXIS	ME250236038	1
24	TORNILLO CENTRADOR MUELLE SELECTOR / SELECTOR SPRING SCREW	ME25636042	1
25	MUELLE ESCORPION / SCORPION SPRING	ME25636039	1
26	ESCORPION / SCORPION	ME250236036	1
27	DOLLA CENTRADOR ESCORPION / SCORPION CENTRER BUSHING	ME250236041	1
28	MUELLE SELECTOR / SELECTOR SPRING	ME25636035	1
29	CTO. FIJADOR MARCHAS / GEAR FASTEN SET	MFS400136033C	1



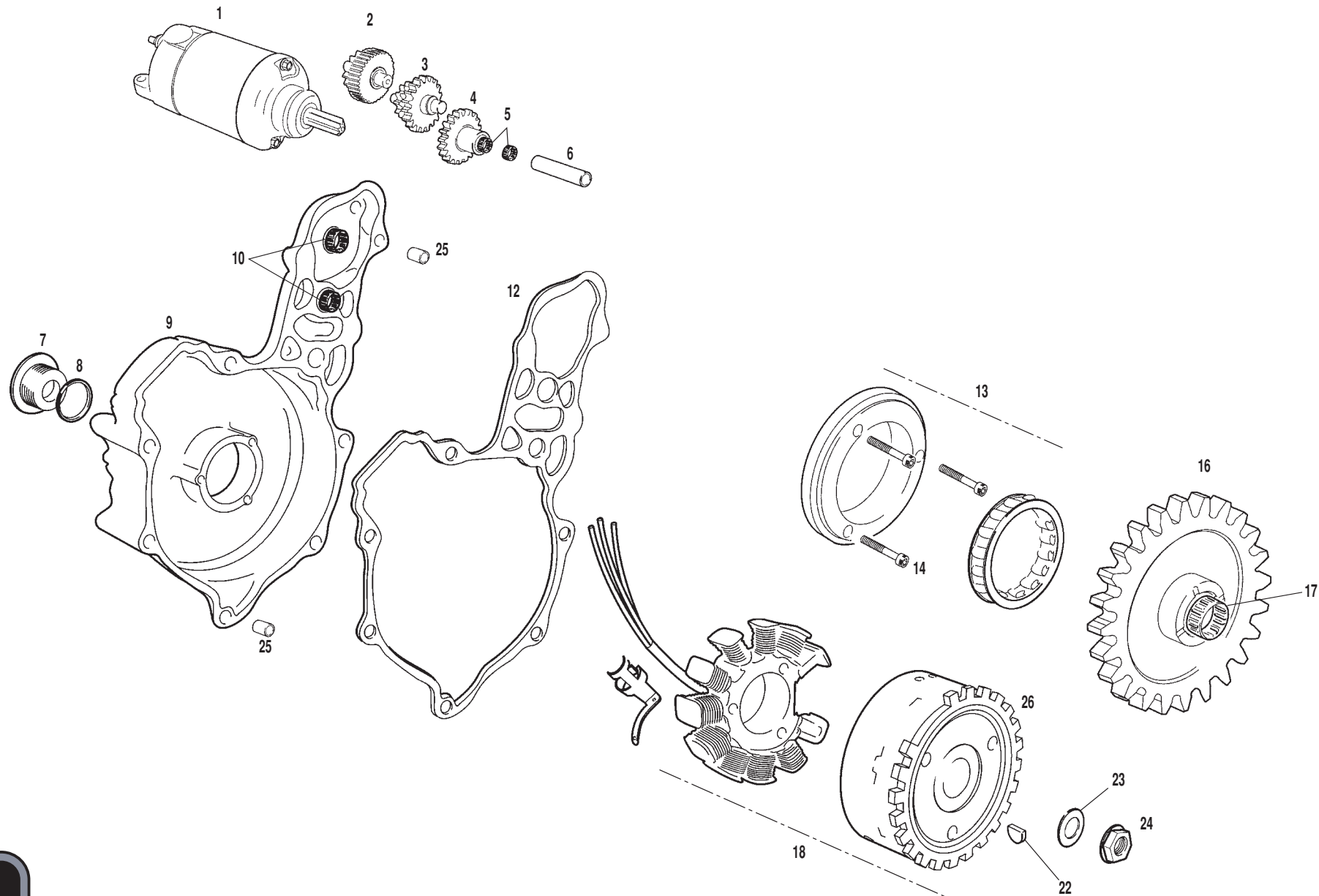
Nº	DESCRIPCION / DESCRIPTION	FSE 2003	Cant.
1	ARANDELA 18x40x0,6 / 18X40X0,6 WASHER	T4001840	2
2	PIÑON PRIMARIO II / PRIMARY II PINION	ME25636071	1
3	CIRCLIP D.25 DIN 471 REBAJADO / DIN 471 CIRCLIP	ME25636084	5
4	ARANDELA 31,5x(25x22)x1 ESTRIADA / 31,5x(25x22)x1 GROOVING WASHER	ME25636091	3
5	PIÑON PRIMARIO VI / PRIMARY VI PINION	ME25636074	1
6	PIÑON PRIMARIO III Y IV / PRIMARY III AND IV PINION	ME25636072	1
7	ARANDELA 25,2x31,5x1 CAMBIO / 25,2x31,5x1 GEAR WASHER	ME25636017	2
8	PIÑON PRIMARIO V / PRIMARY V PINION	ME25636073	1
9	COJINETE AGUJAS K25-29-10 / K25-29-10 NEEDLES BEARING	M02616000	1
10	EJE PRIMARIO / PRIMARY AXIS	ME25636070	1
11	EJE SECUNDARIO / SECONDARY AXIS	ME250136075	1
12	CIRCLIP D.25 DIN 983 / DIN 983 CIRCLIP	ME25636095	1
13	PIÑON SECUNDARIO II / SECONDARY II PINION	ME25636077	1
14	PIÑON SECUNDARIO VI / SECONDARY VI PINION	ME250136081	1
15	PIÑON SECUNDARIO III / SECONDARY III PINION	ME25636078	1
16	PIÑON SECUNDARIO IV / SECONDARY IV PINION	ME25636079	1
17	PIÑON SECUNDARIO V / SECONDARY V PINION	ME25636080	1
18	ARANDELA 20,8x29x1 CAMBIO / 20,8x29x1 GEAR WASHER	ME25636016	1
19	PIÑON SECUNDARIO I / SECONDARY I PINION	ME25636076	1
20	RODAMIENTO AGUJAS K20x24x10 / K20x24x10 NEEDLES BEARING	ME25636059	1
22	PIÑON SALIDA Z. 13 / Z13 EXIT PINION	ME25636025	1
23	DOLLA RETEN SALIDA CAMBIO / GEAR EXIT SEAL	ME25636046	1
24	TORICA 25x2 NBR PIÑON SALIDA / EXIT PINION SEAL	ME25632025	2
25	RETEN 30X40X7 / 30X40X7 SEAL	ME25636024	1
26	RODAMIENTO CAMBIO 6205 ZZ / GEAR 6205 BEARING	ME25636056	1
27	GRUPO CAMBIO COMPLETO / GEAR SET	MFS400136010	1
28	COJINETE 6305 2Z CAMBIO / GEAR 6305 BEARING	MFS400136167	1



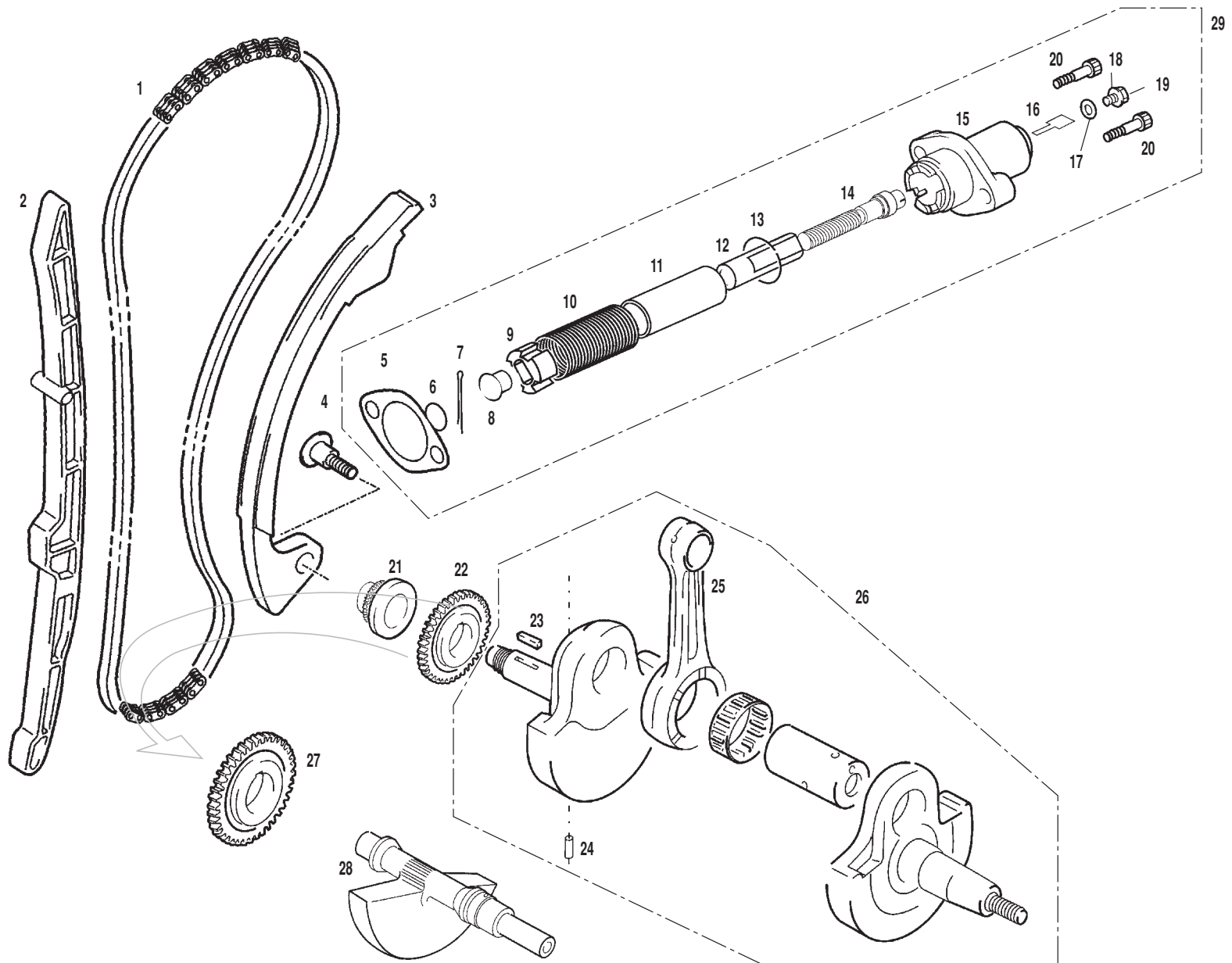
Nº	DESCRIPCION / DESCRIPTION	FSE 2003	Cant.
1	CARTER IZQUIERDO / LEFT CARTER	MFS400310001	1
2	RODAMIENTO HK2512 / HK2512 BEARING	ME25636055	1
3	ARANDELA OBTURACION / WASHER	MFS400112026	1
4	RODAMIENTO 6303 C3 / 6303 C3 BEARING	MFS400112030	1
5	COJINETE 6306 C4 / 6306 C4 BEARING	ME25612006/2	1
6	CTO. LÁMINAS OBTURACIÓN PASO ACEITE / OIL OBTURATION REED KIT	MFS400110120	1
8	ALLEN 6X20 / 6X20 ALLEN BOLT	T0306020	2
9	JUNTA CARTER CENTRAL / CENTRAL CRANKCASE GASKET	MFS400144001	1
10	CARTER DERECHO / RIGHT CRANKCASE	MFS400310000	1
11	JUNTA TAPA EMBRAGUE / CLUTCH COVER GASKET	MFS400144002	1
12	TAPA EMBRAGUE / CLUTCH COVER	MFS400132001	1
13	JUNTA TAPA DISCOS EMBRAGUE / DISCS COVER GASKET	ME25644003	1
14	TAPA DISCOS EMBRAGUE / DISCS CLUTCH COVER	ME250332002	1
15	RETÉN 20/30/7/AI / 20/30/7/AI SEAL	ME25632021	1
16	ALLEN 6X 30 / 6X30 ALLEN BOLT	T0306030	1
17	ALLEN 6X 60 / 6X60 ALLEN BOLT	T0306060	1
18	ALLEN 6X 75 / 6X75 ALLEN BOLT	T0306075	1
19	ALLEN 6X 25 / 6X25 ALLEN BOLT	T0306025	10
20	CASQUILLO CENTRADOR CARTER / CRANKCASE BUSHING	ME25610018	3
21	TORICA 6X2 EJE CENTR.VAL.ESCAPE / 6X2 O'RING	ME25616045	1
22	TORNILLO ESPECIAL M6 / M6 SPECIAL SCREW	MFS400136065	1
23	CAMPANA ASPIRACIÓN ACEITE / OIL ASPIRATE	MFS400122550	1
25	COJINETE 6305 2ZC3 / 6305 2ZC3 BEARING	MFS400136167	1
26	COJINETE 6203 2Z C3 / 6203 2Z C3 BEARING	MFS400136168	1
27	ULS 5X9 / 5X9 ULS BOLT	T0505009	2
28	SENSOR GIRO / TURN SENSOR	MFS400180005	1



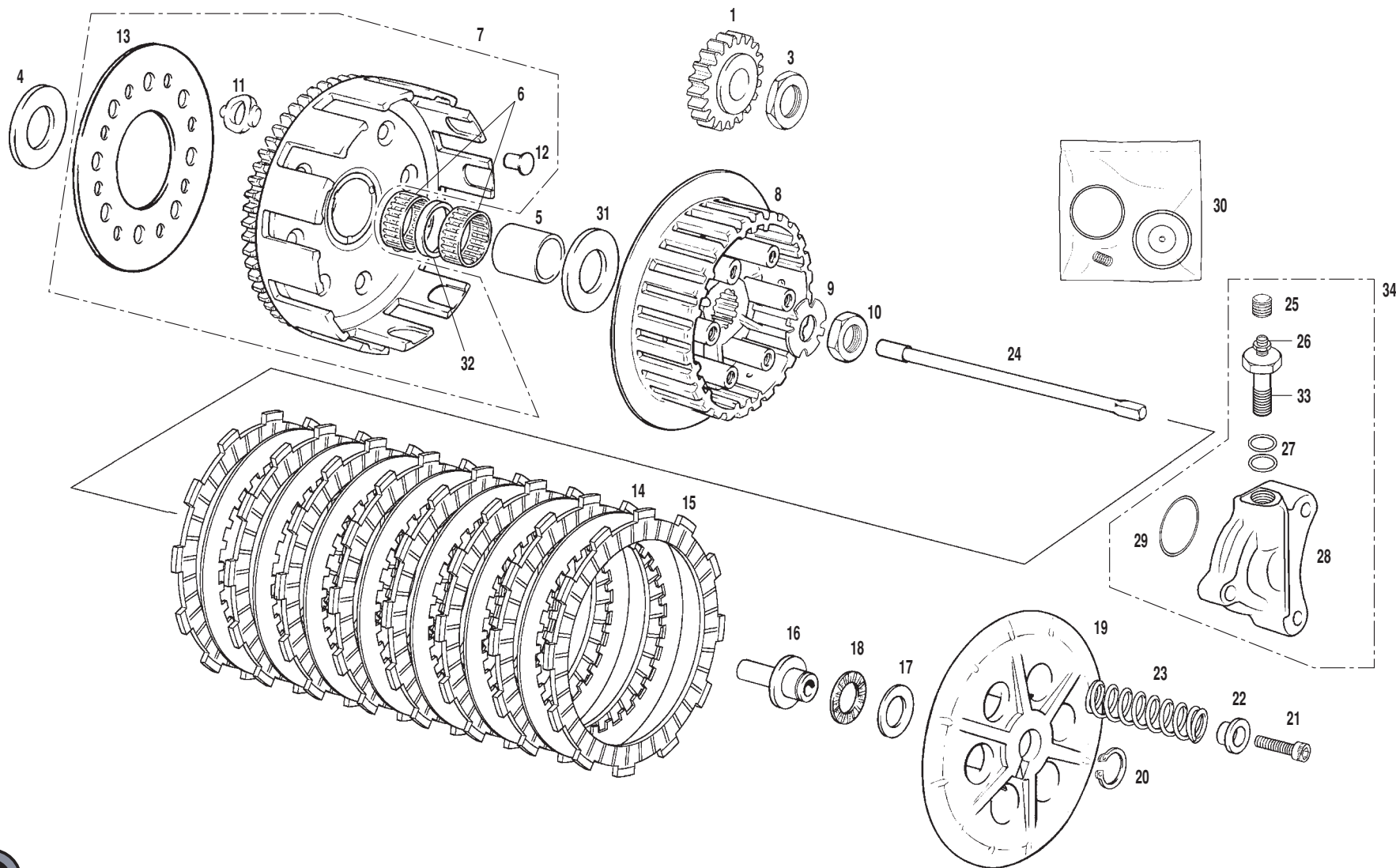
Nº	DESCRIPCION / DESCRIPTION	FSE 2003	Cant.
1	TAPA DISCOS EMBRAGUE / CLUTCH DISCS COVER	ME250332002	1
2	TAPA EMBRAGUE EC400 4T / CLUTCH COVER	MFS400132001	1
3	CASQUILLO CENTRADOR CARTER / CRANKCASE BUSHING	ME25610018	4
4	CONDUCTO ACEITE D.3X8 PISTON / OIL PISTON PIPE	MFS400110023	1
5	TORICA 18X3 / O'RING	MFS400126566	1
6	PLANCHA RETÉN CIGUEÑAL TAPA EMBRAGUE / SEAL PLATE	MFS400112019	1
7	ALLEN M5X10 / 5X10 ALLEN BOLT	T0305010	1
8	CARTER DERECHO ALUMINIO EC400 4T / RIGHT ALUMINIUM CRANKCASE	MFS400310000	1
9	RODAMIENTO 6205 C3 NSK / 6205 C3 NSK BEARING	ME25636056	1
10	RODAMIENTO 6203 2Z C3 SKF / 6203 2Z C3 SKF BEARING	MFS400136168	1
11	ALLEN 6X35 / 6X35 ALLEN BOLT	T0306035	4
12	RODAMIENTO 6303 C3 SKF / 6303 C3 SKF BEARING	MFS400112030	1
13	RODAMIENTO 6306 C4 KOYO / 6306 C4 KOYO BEARING	ME25612006/2	1
14	JUNTA TAPA ACCESO INFERIOR CARTER / INFERIOR CRANKCASE COVER GASKET	MFS400110123/2	1
15	TAPA ACCESO INFERIOR CARTER / INFERIOR CRANKCASE COVER	MFS400110122	1
16	ALLEN 6X16 / 6X16 ALLEN BOLT	T0306016	6
17	CENTRADOR CULATA L18 EC400 4T / CYL. HEAD BUSHING	MFS400116066	2
18	CARTER IZQUIERDO ALUMINIO EC400 4T / LEFT ALUMINIUM CRANKCASE	MFS400310001	1
19	RETEN 24X14X7AS.P-NB / SEAL	MFS400112008	1
20	DOLLA RETEN SALIDA CAMBIO / SEAL BUSHING	ME25636046	1
21	ALLEN 6X70 / 6X70 ALLEN BOLT	T0306070	1
22	RETEN TC12227 EJE SELECTOR / SELECTOR AXIS SEAL	ME25636048	1
23	ALLEN 6X30 / 6X30 ALLEN BOLT	T0306030	2
24	ALLEN 6X25 / 6X25 ALLEN BOLT	T0306025	2
25	JAULA DE AGUJAS HK0810 INA / HK0810 NEEDLES BEARING	MFS400126021	2
26	JAULA DE AGUJAS HK1010 INA / HK1010 NEEDLES BEARING	MFS400126022	2
27	ALLEN 6X45 / 6X45 ALLEN BOLT	T0306045	8
28	TAPA VOLANTE MAGNÉTICO / IGNITION COMP. COVER	MFS400110004	1
29	ALLEN 6X50 / 6X50 ALLEN BOLT	T0306050	4
30	ALLEN 6X60 / 6X60 ALLEN BOLT	T0306060	2
31	TORICA 1.78x7.94 TAPA ENTRADA ACEITE CARTER / 1.78x7.94 O'RING	MFS400122311	2
32	MUELLE RETORNO ACEITE EC400-4T / SPRING	MFS400122315	1
33	BOLA CENTRIFUGO EMB.DE 8 m/m. / BALL	ME25616033	1
34	TAPA ENTRADA ACEITE CARTER / OIL INNER COVER	MFS400122310	1
35	TUBO VACIADOR DEPOSITO ACEITE EC400-4T / OIL HOSE	MFS400122150	1
36	ALLEN 6X12 / 6X12 ALLEN BOLT	T0306012	1
37	ABRAZADERA D.12.9-13.6 AMARILLA / 12.9-13.6 YELLOW CLAMP	BE250210047	2



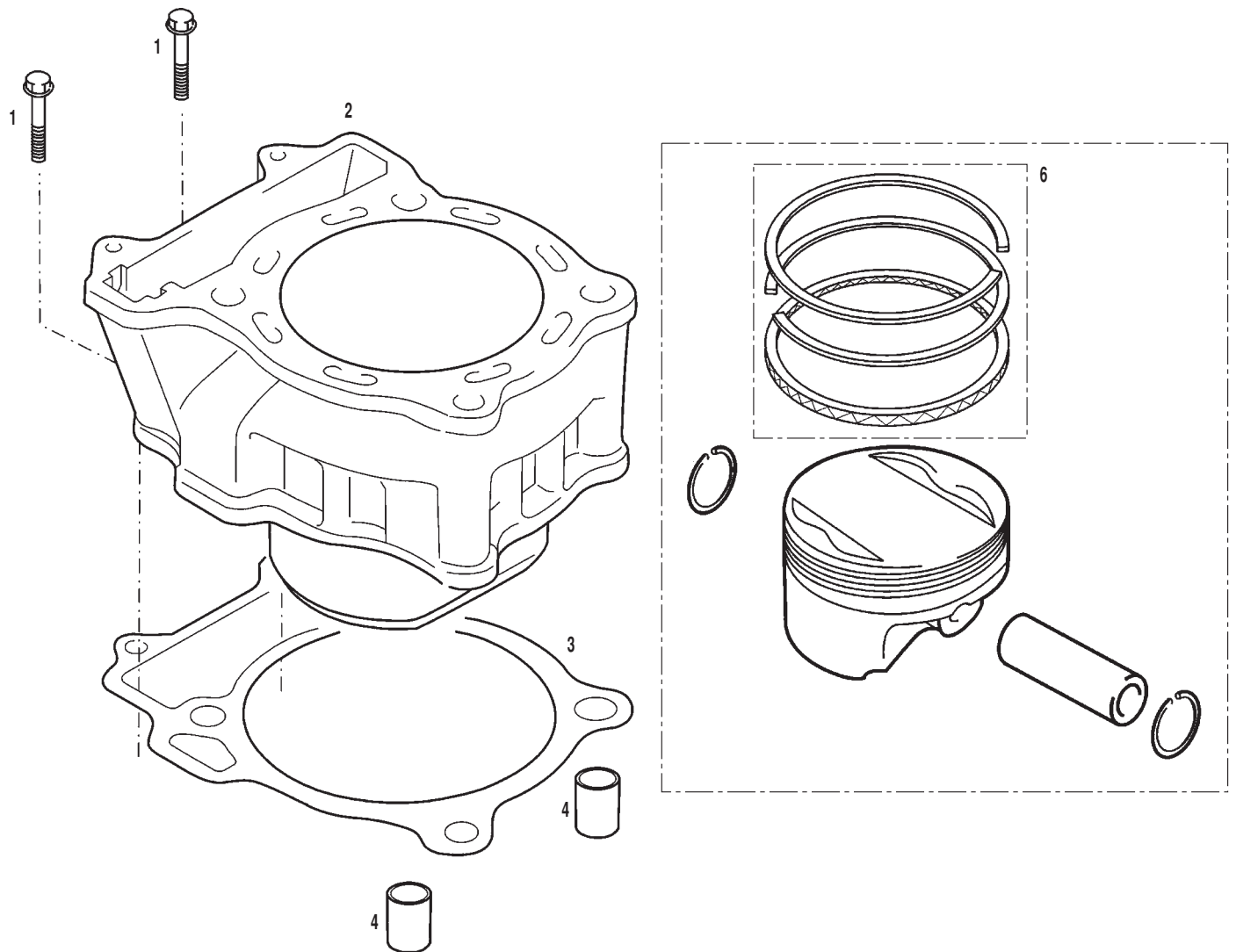
Nº	DESCRIPCION / DESCRIPTION	FSE 2003	Cant.
1	MOTOR ARRANQUE FSE450-2003 / START ENGINE	MFS400326500	1
2	PIÑON ARRANQUE ELECTRICO 36-13 / PINION 1	MFS400126510	1
3	PIÑON ARRANQUE ELECTRICO 19-12 / PINION 2	MFS400126520	1
4	PIÑON ARRANQUE ELECTRICO 20 / PINION 3	MFS400126530	1
5	COJINETE DE AGUJAS HK 1012 / HK 1012 NEEDLES BEARING	MFS400326023	2
6	EJE PIÑON ARRANQUE / STARTER PINION AXIS	MFS400126505	1
7	TAPON TAPA ENCENDIDO / STARTER COVER TAP	MFS400126562	1
8	TORICA 27.4x2.4 / 27.4x2.4 O'RING	MFS400126563	1
9	TAPA ENCENDIDO / STARTER COVER	MFS400110004	1
10	JAULA DE AGUJAS HK1010 / HK1010 NEEDLES BEARING	MFS400126022	2
12	JUNTA TAPA ENCENDIDO / IGNITION COVER GASKET	MFS400144004	1
13	CTO.EMBRAGUE ARRANQUE SF44/16 KZ EC400-4T / IGNITION CLUTCH SET	MFS400126550/2	1
14	ALLEN 8X14 / 8X14 ALLEN BOLT	T0308014	3
16	CORONA DE ARRANQUE / STARTER	MFS400126540/2	1
17	COJINETE DE AGUJAS ARRANQUE / INGITION NEEDLES BEARING	MFS400126020	1
18	VOLANTE MAGNETICO / MAGNETIC MOBILE	MFS400134005	1
22	CHAVETA VOLANTE / MOBILE PIN	MFS400134016	1
23	ARANDELA TUERCA ALTERNADOR 12.25x27x2 / 12.25x27x2 WASHER	MFS400134012	1
24	TUERCA VOLANTE / MOBILE NUT	MFS400134011	1
25	CASQUILLO CENTRADOR TAPA ENCENDIDO / IGNITION COVER CENTRER	MFS400116350	2
26	RUEDA FÓNICA / COUNTERWHEEL	MFS400180103	1



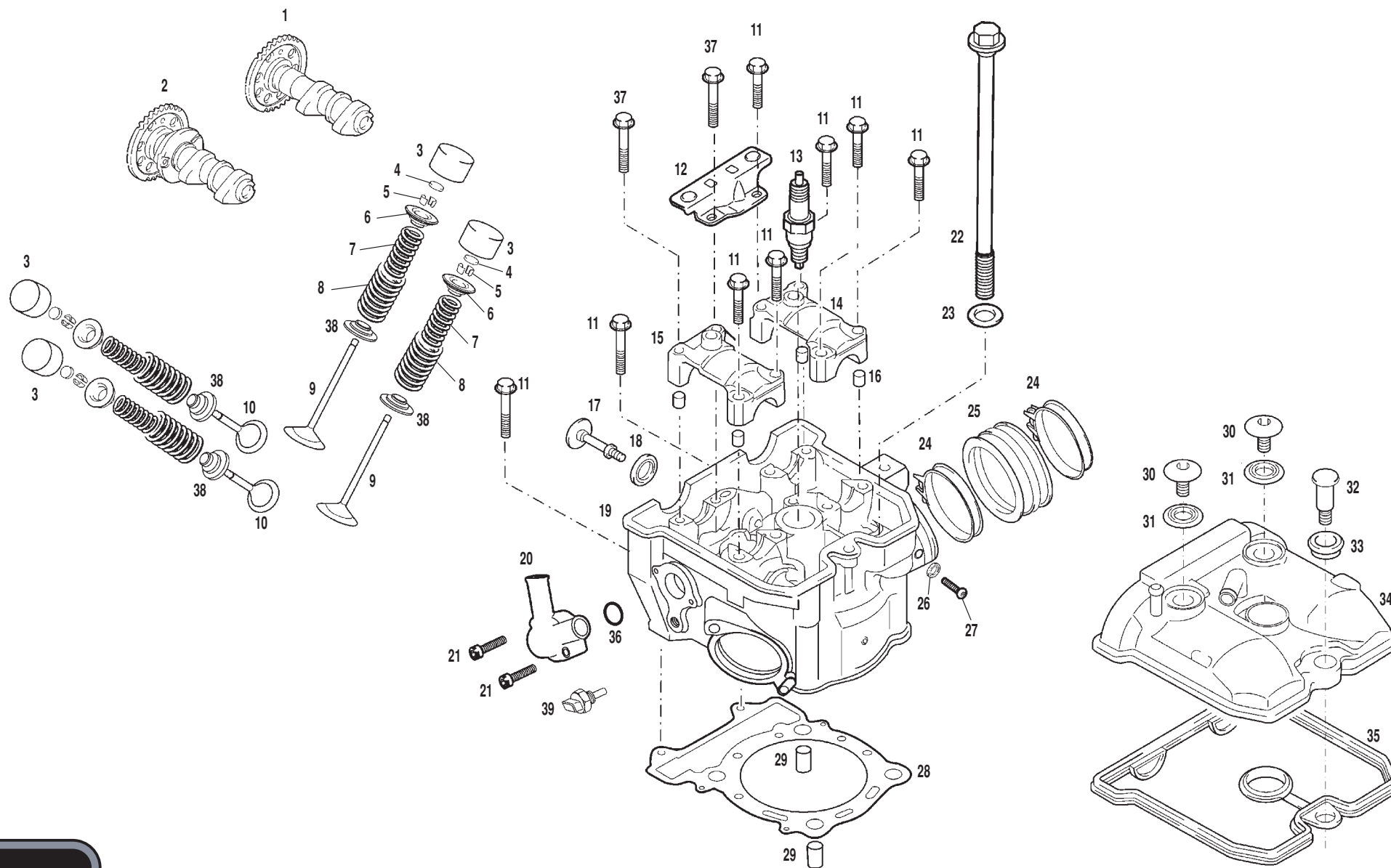
Nº	DESCRIPCION / DESCRIPTION	FSE 2003	Cant.
1	CADENA DISTRIBUCIÓN / CAM SHAFT DRIVE CHAIN	MFS400116360	1
2	GUÍA CADENA DISTRIBUCIÓN DELANTERA / CAM CHAIN GUIDE	MFS400116364	1
3	GUÍA CADENA DISTRIBUCIÓN TRASERA / CAM CHAIN TENSIONER	MFS400116363	1
4	TORNILLO FIJACIÓN PAT. GUIA CADENA DISTRIBUCIÓN / CHAIN GUIDE SCREW	MFS400116365	1
5	JUNTA TENSOR DISTRIBUCION EC400-4T / CHAIN TENSOR GASKET	MFS400144025	1
6	ANILLO ELASTICO TENSOR CADENA EC400-4T / CHAIN TENSOR O'RING	MFS400116411	1
7	PASADOR ELÁSTICO D2X12 EC400 / ELASTIC PIN	MFS400116409	1
8	APRETADOR TENSOR CADENA DISTRIBUCIÓN / CHAIN TENSOR PUSHER	MFS400116403	1
9	CRUZ TENSOR CADENA DISTRIBUCIÓN / CHAIN TENSOR BUSHING	MFS400116402	1
10	MUELLE TORSIÓN TENSOR CADENA / CHAIN TENSOR SPRING	MFS400116410	1
11	TUBO TENSOR CADENA DISTRIBUCIÓN / CAM SHAFT CHAIN TENSOR HOSE	MFS400116404	1
12	TUERCA EMPUJADOR TENSOR CADENA / CHAIN TENSOR PUSHER WASHER	MFS400116405	1
13	ANILLO ELÁSTICO TENSOR CADENA / CHAIN TENSOR ELASTIC RING	MFS400116411	1
14	TORNILLO EMPUJADOR TENSOR CADENA / CHAIN TENSOR PUSHER BOLT	MFS400116406	1
15	TENSOR CADENA DISTRIBUCIÓN / CHAIN TENSOR	MFS400116400	1
16	PLACHA FRENADO TENSOR CADENA / CHAIN TENSOR LOCK	MFS400116408	1
17	ARANDELA CLINGERIT 6X15X0.5 / 6X15X0.5 WASHER	MFS400116407	1
18	ARANDELA 6X12X2 / 6X12X2 WASHER	T4006013	1
19	TORNILLO HEXAGONAL 6X8 / HEXAGONAL BOLT 6X8	T0106008	1
20	ALLEN 6X25 / 6X25 ALLEN BOLT	T0306025	1
21	PIÑÓN CADENA DISTRIBUCIÓN / CAM CHAIN DRIVE SPROCKET	MFS400116361	1
22	ENGRANAJE ARBOL DE LEVAS 400 4T / CAMSHAFT SPROCKET	MFS400116370	1
23	CHAVETA LADO EMBRAGUE EC400 4T / GEAR KEY	MFS400112010	1
24	AGUJA 5X8 CIGUEÑAL / PIN	MFS400112022	1
25	CONJUNTO BIELA / CONNECTING ROD	MFS400112100	1
26	CONJUNTO CIGUEÑAL / CRANKSHAFT SET	MFS400112000	1
27	PIÑÓN EJE DE BALANCE / DRIVE GEAR	MFS400112002	1
28	EJE BALANCE / CRANK BALANCER	MFS400112003	1
29	CONJUNTO TENSOR CADENA / CHAIN TENSION ADJUSTER SET	MFS400116420	1



Nº	DESCRIPCION / DESCRIPTION	FSE 2003	Cant.
1	PIÑÓN CIGÜEÑAL TRANS PRIMARIA / PRIM. TRANS. CRANK SHAFT PIN.	MFS400112004	1
3	TUERCA BLOCAJE PIÑÓN CIGÜEÑAL / CRANK SHAFT PINION LOCKING NUT	ME25632018	1
4	ARANDELA CAMPANA EMBR. / WASHER	MFS400132011	1
5	CASQUILLO CAMPANA EMBRAGUE / PRIMARY DRIVEN GEAR BUSHING	MFS400132012	1
6	COJINETE CAMPANA EMBRAGUE / PRIMARY DRIVEN GEAR BEARING	ME25632029	2
7	CTO. CORONA EMBRAGUE / PINION SET	MFS400132003	1
8	CUBO EMBRAGUE / CLUTCH BOSS	ME25632005	1
9	ARANDELA PRECINTO EMBRAGUE / CLUTCH LOCK WASHER	ME25632022	1
10	TUERCA FIJACIÓN CUBO EMBRAGUE / CLUTCH BOSS NUT	ME25632028	1
11	SILENTBLOCK CORONA / SILENTBLOCK	ME20932008	8
12	REMACHE CAMPANA EMBRAGUE / PRIMARY DRIVEN GEAR RIVETS	ME250132010	8
13	ARANDELA CORONA EMBRAGUE / CLUTCH BOSS WASHER	MFS400132009	1
14	DISCO EMBRAGUE HIERRO / IRON CLUTCH DISK	ME25632037	7
15	DISCO EMBRAGUE FORRADO / COVERED CLUTCH DISK	ME25632007	8
16	BOLET EMBRAGUE / CLUTCH PIN	ME25632014	1
17	ARANDELA COJINETE / BEARING WASHER	ME25632016	1
18	JAULA AGUJA VALVULA ESCAPE / NEEDLES BEARING	ME25632046	1
19	PRENSA EMBRAGUE 4898A / PRESSURE PLATE BEARING	ME25632006	1
20	SEEGER EJE 15 EMBRAGUE / CLUTCH SEEGER AXLE 15	ME25632017	1
21	ALLEN 6X20 / ALLEN BOLT 6X20	T0306020	6
22	CASQUILLO MUELLE EMBRAGUE ALUMINIO / ALUMINIUM CLUTCH SPRING BUSHING	ME250032020	6
23	MUELLE EMBRAGUE / CLUTCH SPRING	MFS450332015	6
24	VARILLA EMBRAGUE / CLUTCH ROD	MFS400132040/2	1
25	TAPÓN SANGRADOR / BLEEDER CAP	BE25622055	1
26	SANGRADOR PINZA EMBRAGUE / BLEEDER	BE25622060	1
27	ARANDELA LATIGUILLO / HOSE WASHER	BE25622007	2
28	PINZA EMBRAGUE HIDRÁULICO / HYDRAULIC CLUTCH CALIPER	ME25632026	1
29	TORICA BOMBA EMBRAGUE / CLUTCH PUMP O'RING	ME25632024	1
30	KIT REPARACIÓN PINZA EMBRAGUE / CLUTCH CALIPER KIT	BE25622050	1
31	ARANDELA CAMPANA EMBRAGUE ENDURO 2T / CLUTCH 2T BELL WASHER	ME25632011	1
32	CASQUILLO COJINETE CAMPANA EMBRAGUE / BUSHING BEARING	MFS400132036	1
33	RACORD PINZA EMBRAGUE / RACORD CLUTCH CALIPER	M01030000	1
34	CONJUNTO PINZA EMBRAGUE FSE / FSE CLUTCH CALIPER KIT	MFS400132026	1

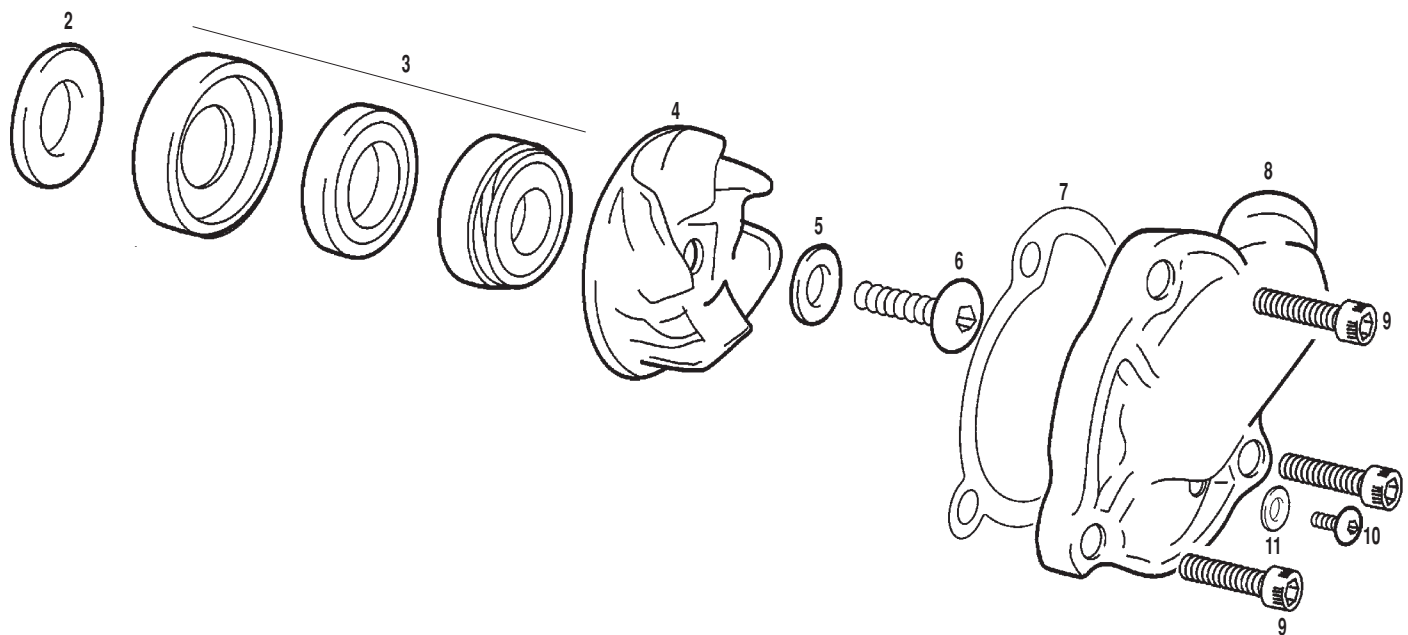


N°	DESCRIPCION / DESCRIPTION	FSE 400	FSE 450	Cant.
1	TORNILLO ESPECIAL 6X25 / 6X25 SPECIAL SCREW	T0606025		2
2	CILINDRO EC 4T / EC4T CYLINDER	MFS400116022	MFS450316022	1
3	JUNTA CILINDRO EC 4T / EC 4T CLINDER GASKET	MFS400144000		1
4	CASQUILLO CENTRADOR CULATA / HEAD CYLINDER BUSHING	MFS400116066		2
5A	CONJUNTO PISTON A / A PISTON SET	MFS400116020	MFS450316020	1
5B	CONJUNTO PISTON B / B PISTON SET	MFS400116121	MFS450316121	1
5C	CONJUNTO PISTON C / C PISTON SET	MFS400116122	MFS450316122	1
5D	CONJUNTO PISTON D / D PISTON SET	MFS400116123	MFS450316123	1
6	CONJUNTO AROS PISTON / PISTON O'RING SET	MFS400116040	MFS450316040	1



Nº	DESCRIPCION / DESCRIPTION	FSE 400	FSE 450	Cant.
1	ARBOL DE LEVAS ADMISION / INTAKE CAMSHAFT	MFS400116353		1
2	ARBOL DE LEVAS ESCAPE / EXHAUST CAMSHAFT	MFS400116354		1
3	VASO EMPUJADOR VÁLVULA / TAPPET	MFS400116300		4
4	PASTILLA REGLAJE BASE VÁLVULA / TAPPET SHIM	MFS400116044		4
5	SEMICONO FSE400 / VALVE COTTER	MFS400116048		8
6	PLATILLO SEMICONO / SPRING RETAINER	MFS400116047		4
7	MUELLE INTERIOR / INTERIOR VALVE SPRING	MFS400116059		4
8	MUELLE VALVULA EXTERIOR / EXTERIOR VALVE SPRING	MFS400116058		4
9	VÁLVULA ADMISION / INTAKE VALVE	MFS400116043		2
10	VÁLVULA ESCAPE / EXHAUST VALVE	MFS400116015		2
11	TORNILLO 6X40 / 6X40 BOLT	MFS400116351		8
12	GUÍA CADENA DISTRIBUCION SUPERIOR / UPPER CAM SHAFT GUIDE	MFS400116362/2		1
13	BUJIA NGK CR8 E / NGK CR8 E SPARK PLUG	MFS400134000		1
14	PUENTE ARBOL LEVAS ADMISION / INTAKE CAM SHAFT JOURNAL HOLDER	MFS400116357		1
15	PUENTE ARBOL LEVAS ESCAPE / EXHAUST CAM SHAFT JOURNAL HOLDER	MFS400116358		1
16	CASQUILLO CENTRADOR TAPA ARBOL LEVAS / PIN	MFS400116350		4
17	TORNILLO ESPECIAL CULATA M7 / CYLINDER HEAD SPECIAL SCREW	MFS400116067		1
18	ARANDELA CULATA 11X25X4.5 / 11X25X4.5 CYLINDER HEAD WASHER	T4001126		1
19	CULATA / CYLINDER HEAD	MFS400116000		1
20	TUBERA SALIDA AGUA CULATA EC400-4T / THERMOSTAT COVER	MFS400116104		1
21	ALLEN NEGRO 5X30 / 5X30 BLACK ALLEN BOLT	T0305030N		2
22	TORNILLO M10X175 / M10X175 BOLT	T0201070		1
23	ARANDELA 10.5X19X2 / 10.5X19X2 WASHER	T4001019		1
24	ABRAZADERA 40-60 / 40-60 CLAMP	BE25610033		2
25	TUBERA ADMISION EC 400 4T / INTAKE	MFS400116131		1
26	ARANDELA 8X16X1,5 / 8X16X1,5 WASHER	T4008016		1
27	ULS 8X12 / 8X12 ULS BOLT	T0508012		1
28	JUNTA CULATA EC 4T / CYLINDER HEAD GASKET	MFS400144020	MFS450344020	1
29	CASQUILLO CENTRADOR CULATA / CYLINDER HEAD BUSHING	MFS400116066		2
30	TORNILLO ESPECIAL 7X17.5 / 7X17.5 SPECIAL SCREW	T0207017		2
31	ARANDELA TAPA CULATA 11X25X2 / 11X25X2 WASHER	T4001125		2
32	TORNILLO ESPECIAL 7X31 / 7X31 SPECIAL SCREW	T0207031		1
33	ARANDELA TAPA CULATA 12X23X5/7.5 / 12X23X5/7.5 CYLINDER HEAD WASHER	T4001223		1

N°	DESCRIPCION / DESCRIPTION	FSE 2003	Cant.
34	TAPA CULATA / <i>CYLINDER HEAD</i>	MFS400116100	1
35	JUNTA TAPA CULATA / <i>CYLINDER HEAD GASKET</i>	MFS400144015	1
36	TORICA 24X2 TUBERA SALIDA AGUA CULATA / <i>WATER EXIT GASKET</i>	MFS400116105	1
37	TORNILLO M6X45 TAPA ARBOL LEVAS LARGO / <i>6X45 SCREW</i>	MFS400116352	2
38	ARANDELA MUELLE VÁLVULA / <i>SPRING SEAT WASHER</i>	MFS400116049	4
39	SENSOR AGUA / <i>WATER SENSOR</i>	MFS400180004	1



N°	DESCRIPCION / DESCRIPTION	FSE 2003	Cant.
2	ARANDELA 25.8x17.5x0.5 BOMBA AGUA / 25.8x17.5x0.5 WASHER	M03625000	1
3	JUEGO RETENES / SEAL SET	ME25610011	1
4	TURBINA BOMBA AGUA / WATER PUMP IMPELLER	ME25610007	1
5	ARANDELA 6X10X1 / 6X10X1 WASHER	T4005010	1
6	ALLEN 6X16 / 6X16 ALLEN BOLT	T0506016	1
7	JUNTA TAPA BOMBA AGUA / WATER PUMP COVER GASKET	MFS400144008	1
8	TAPA BOMBA AGUA / WATER PUMP COVER	MFS250210008	1
9	ALLEN 6X20 / 6X20 ALLEN BOLT	T0306020	3
10	ULS 6X10 / 6X10 ULS	T0506010	1
11	ARANDELA FIBRA 6MM. / 6MM WASHER	T4006010	1