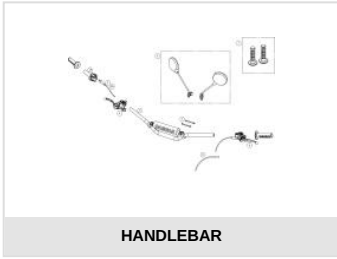


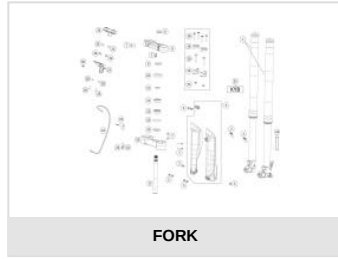


# MR RANGER Black 2021

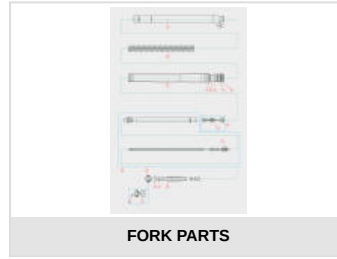
## Exploded



**HANDLEBAR**



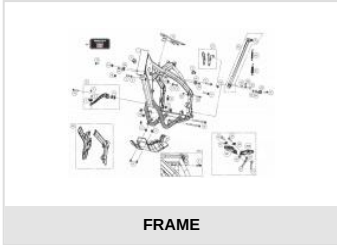
**FORK**



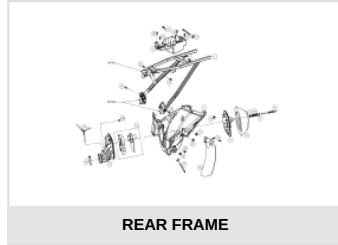
**FORK PARTS**



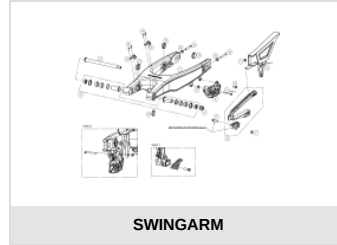
**KYB TOOLS**



**FRAME**



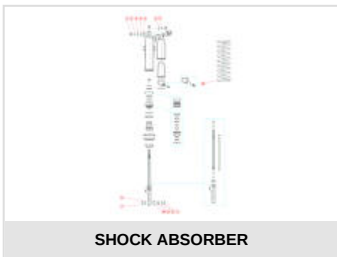
**REAR FRAME**



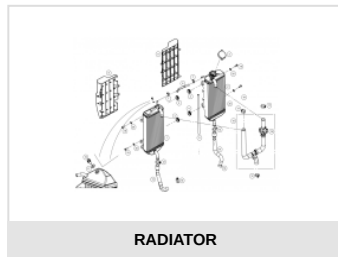
**SWINGARM**



**SHOCK ABSORBER**



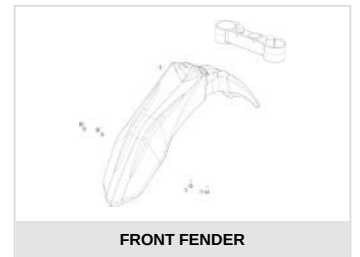
**SHOCK ABSORBER**



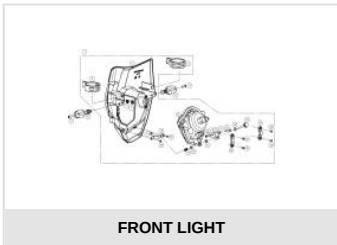
**RADIATOR**



**ELECTRICAL PARTS**



**FRONT FENDER**



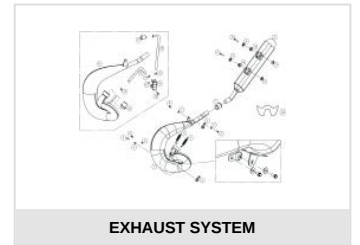
**FRONT LIGHT**



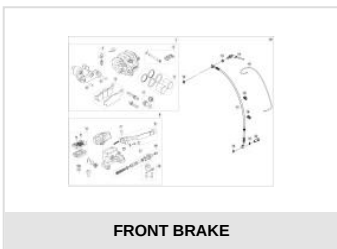
**TANK**



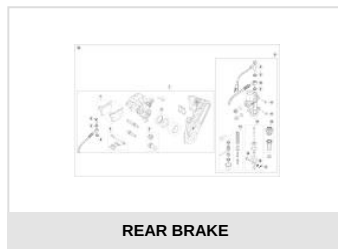
**REAR FAIRING**



**EXHAUST SYSTEM**



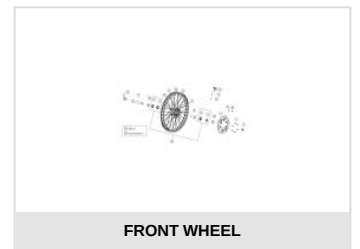
**FRONT BRAKE**



**REAR BRAKE**



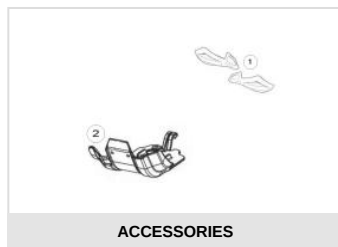
**CLUTCH CONTROL**



**FRONT WHEEL**



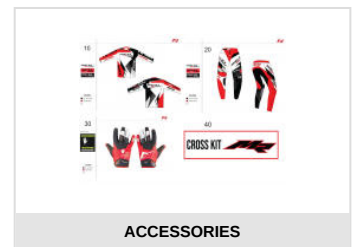
**REAR WHEEL**



**ACCESSORIES**



**STICKERS**



**ACCESSORIES**

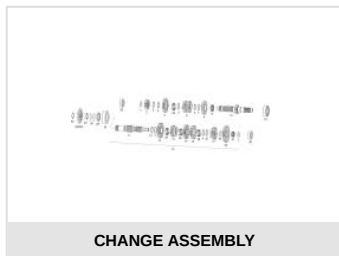
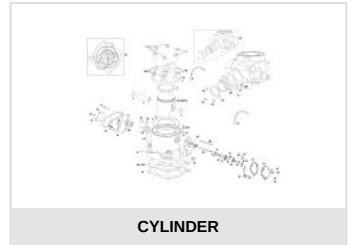
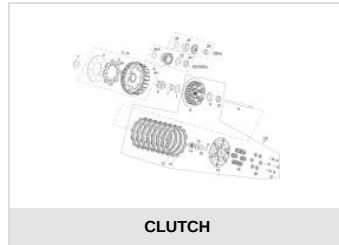
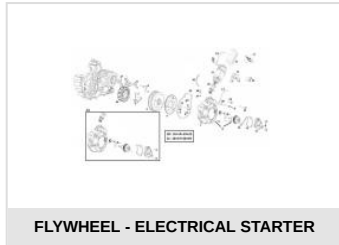
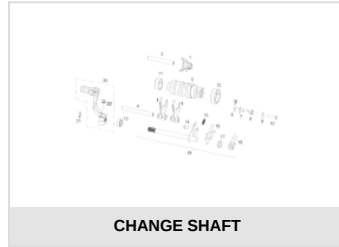
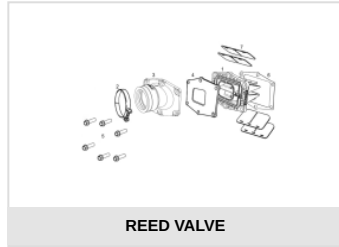
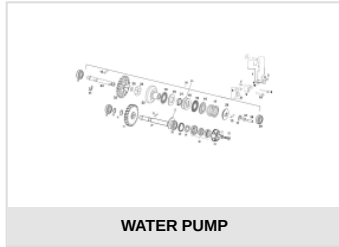


**ELECTRIC FAN**

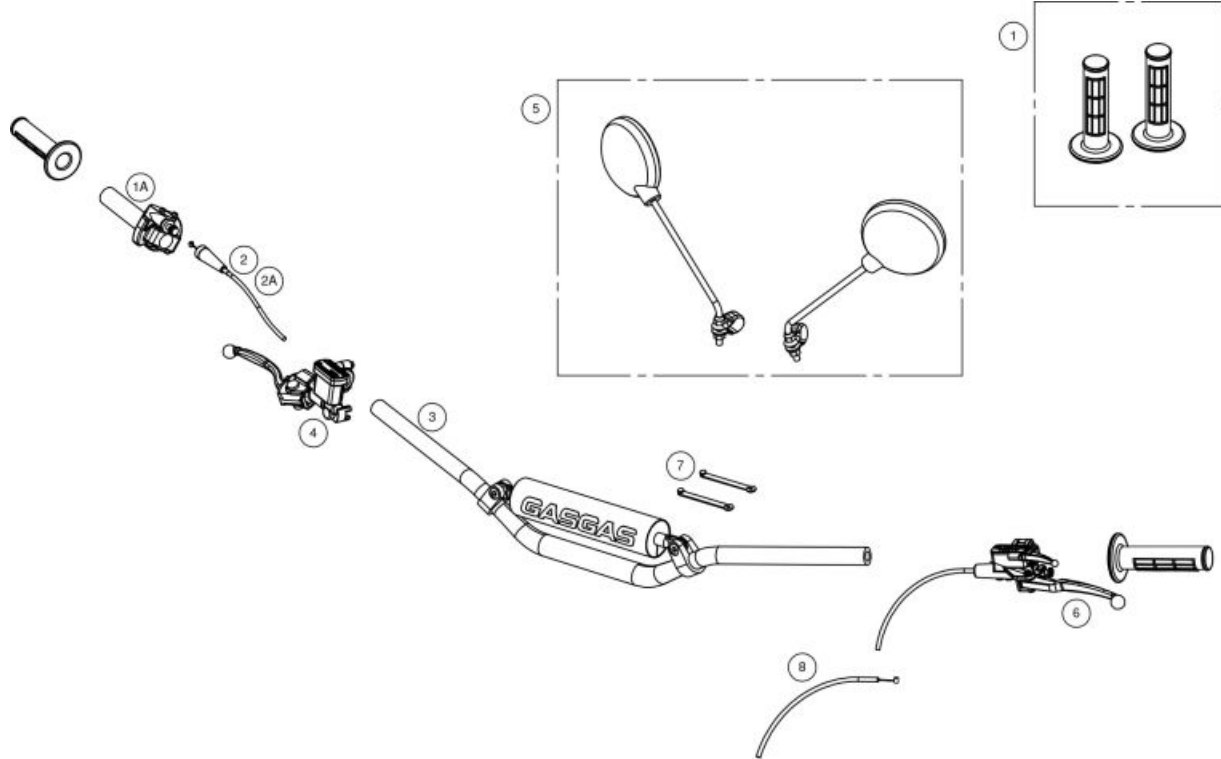


**PLASTICOS**

**MR RANGER 2020 - Engine**

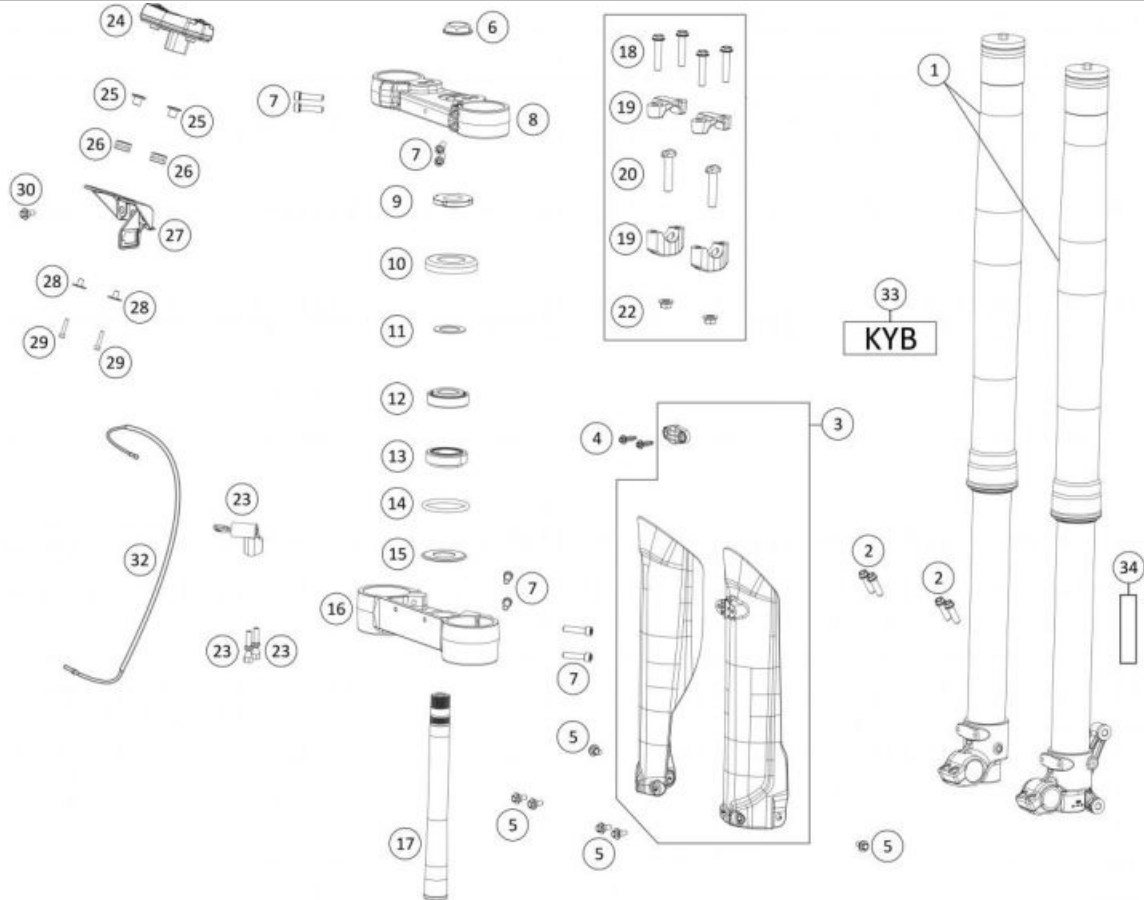


**HANDLEBAR**



1	<ul style="list-style-type: none"> <li>GRIPS BLACK 0/000.530.9101 (u. 1)</li> </ul>
1A	<ul style="list-style-type: none"> <li>TWIST GRIP 0/000.530.9100 (u. 1)</li> </ul>
2	<ul style="list-style-type: none"> <li>THROTTLE CABLE EC 2018 0/000.550.9101 (u. 1)</li> </ul>
2A	<ul style="list-style-type: none"> <li>THROTTLE CABLE EC 2018 HOMOL. 0/000.550.9102 (u. 1)</li> </ul>
3	<ul style="list-style-type: none"> <li>EC RACING HANDLEBAR 2014 0/000.170.9100 (u. 1)</li> </ul>
4	<ul style="list-style-type: none"> <li>FRONT BREAK PUMP ECRANGER BE61000CT-CTR-1 (u. 1)</li> </ul>
5	<ul style="list-style-type: none"> <li>SET MIRROR (REG 81) 0/000.990.9100 (u. 1)</li> </ul>
6	<ul style="list-style-type: none"> <li>COMPLETE MAGURA CLUTCH PUMP, 9.5 (167) 0/000.830.9101 (u. 1)</li> </ul>
7	<ul style="list-style-type: none"> <li>RUBBER CABLE TIES 0/000.360.9110 (u. 2)</li> <li>CLAMP 0/000.680.0060 (u. 2)</li> </ul>
8	<ul style="list-style-type: none"> <li>THROTTLE CABLE STARTER ENDURO 2018 0/000.550.9100 (u. 1)</li> </ul>

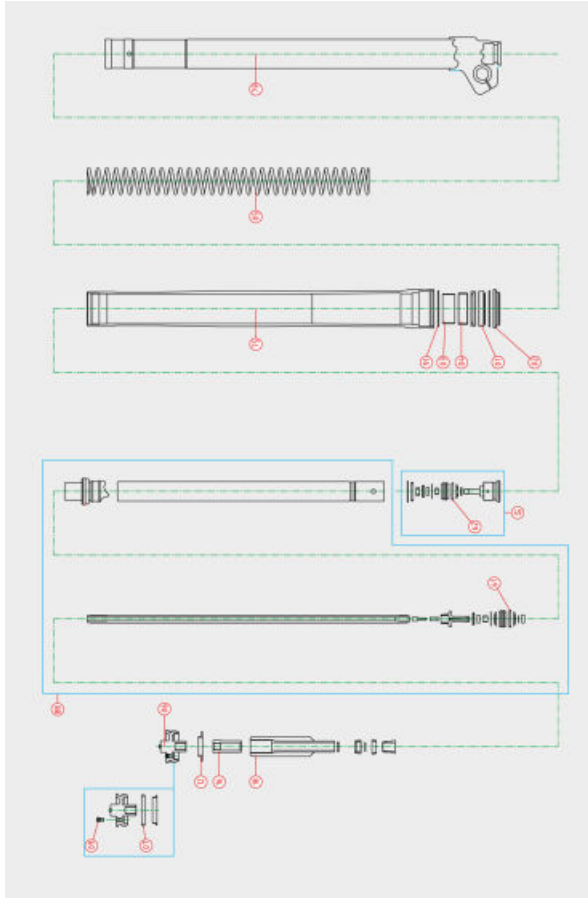
**FORK**



1	<ul style="list-style-type: none"> <li>CJTO. SUSPENSION MR RANGER 0/K00.130.9102 (u. 1)</li> </ul>	
2	<ul style="list-style-type: none"> <li>SCREW SPECIAL 8X25 GEOMET 10.9 0/000.460.9137 (u. 4)</li> </ul>	
3	<ul style="list-style-type: none"> <li>JUEGO PROT.HORQ.EC 2018 BL. BE94600CT-CLJ-1 (u. 1)</li> <li>CJTO. FORK PROTECTORS MR WHITE 0/000.220.9144 (u. 1)</li> </ul>	<b>OBSELETE</b>
4	<ul style="list-style-type: none"> <li>TORNILLO ESPECIAL ROSCA PLASTICO CABOTA HEXAGONAL T0806020 (u. 2)</li> <li>BOLT TANK-SEAT 6x23 (EJOT ref. 05100519) T0806023 (u. 2)</li> </ul>	
5	<ul style="list-style-type: none"> <li>SCREW ESP.6X8 DRACOMET 0/000.460.9162 (u. 6)</li> </ul>	
6	<ul style="list-style-type: none"> <li>STEERING SHAFT NUT 0/000.340.9102 (u. 1)</li> </ul>	
7	<ul style="list-style-type: none"> <li>ALLEN BOLT 7X30 DIN 912 ZINC 12.9 0/000.460.9151 (u. 10)</li> </ul>	
8	<ul style="list-style-type: none"> <li>TOP-BRIDGE SUSPENSION PAMPERA 0/000.660.9103 (u. 1)</li> </ul>	
9	<ul style="list-style-type: none"> <li>LOWER STEERING SHAFT NUT 0/000.340.9101 (u. 1)</li> </ul>	
10	<ul style="list-style-type: none"> <li>BEARING DUST COVER BLACK 0/000.200.9100 (u. 1)</li> </ul>	
11	<ul style="list-style-type: none"> <li>STEERING WASHER 0/000.440.9101 (u. 1)</li> </ul>	
12	<ul style="list-style-type: none"> <li>STEERING BEARING 30205A 0/000.960.9101 (u. 1)</li> </ul>	

13	<ul style="list-style-type: none"> <li>● STEERING BEARING INF.320/28 0/000.960.9100 (u. 1)</li> </ul>	
14	<ul style="list-style-type: none"> <li>● STEERING O-RING 50x5 0/000.490.9102 (u. 1)</li> </ul>	
15	<ul style="list-style-type: none"> <li>● STEERING CAP D.28 0/000.200.9101 (u. 1)</li> </ul>	
16	<ul style="list-style-type: none"> <li>● LOWER-BRIDGE SUSPENSION PAMPERA 0/000.660.9101 (u. 1)</li> </ul>	
17	<ul style="list-style-type: none"> <li>● AXLE STEERING 0/000.190.9100 (u. 1)</li> </ul>	
18	<ul style="list-style-type: none"> <li>● SCREW SPECIAL 8X40 GEOMET 10.9 0/000.460.9140 (u. 4)</li> </ul>	
19	<ul style="list-style-type: none"> <li>● KIT PUENTES SUPERIRO MANILLAR NEGRO RANGER 0/K00.350.9103 (u. 1)</li> </ul>	
20	<ul style="list-style-type: none"> <li>● 10X45 SPEZIAL BOLT G5 12.9 0/000.460.9113 (u. 2)</li> </ul>	
22	<ul style="list-style-type: none"> <li>● SHOCK ABSORBER BOLT NUT 0/000.340.0182 (u. 2)</li> </ul>	
	<ul style="list-style-type: none"> <li>● NUT AUTOB.M10 PASO 1.50 WASHER DIN 6926 ZINC 8 0/000.340.9124 (u. 2)</li> </ul>	
23	<ul style="list-style-type: none"> <li>● STEERING SHAFT ENDURO 2018 BE15025CT-CLJ-1 (u. 1)</li> </ul>	
24	<ul style="list-style-type: none"> <li>● SET MULTIFUNCION "EVEREST" EC 2018 0/001.000.9100 (u. 1)</li> </ul>	
25	<ul style="list-style-type: none"> <li>● RADIATOR BUSHING 0/000.480.9116 (u. 2)</li> </ul>	
26	<ul style="list-style-type: none"> <li>● GROMMET 0/000.360.4002 (u. 2)</li> </ul>	
	<ul style="list-style-type: none"> <li>● GROMMET 0/000.360.4002 (u. 2)</li> </ul>	
	<ul style="list-style-type: none"> <li>● GOMAS RAD.A CHASIS =BE25632003 0/000.360.9112 (u. 2)</li> </ul>	<b>OBSOLETE</b>
	<ul style="list-style-type: none"> <li>● GROMMET 0/000.360.4002 (u. 2)</li> </ul>	
27	<ul style="list-style-type: none"> <li>● BRACKET MULTIFUNCION EC 2018 0/000.980.9108 (u. 1)</li> </ul>	
28	<ul style="list-style-type: none"> <li>● BUSH RUBBER MULTIFUNCTION ENDURO 2018 0/000.480.9118 (u. 2)</li> </ul>	
29	<ul style="list-style-type: none"> <li>● SCREW ISO 7380 Torx T-20 M4x20 INOX 0/000.460.0079 (u. 2)</li> </ul>	
	<ul style="list-style-type: none"> <li>● ALLEN 4X16 DIN 912 INOX A2 0/000.460.9143 (u. 2)</li> </ul>	<b>OBSOLETE</b>
	<ul style="list-style-type: none"> <li>● SCREW ISO 7380 Torx T-20 M4x20 INOX 0/000.460.0079 (u. 2)</li> </ul>	
30	<ul style="list-style-type: none"> <li>● SCREW ESP.6x7 DRACOMET 0/000.460.9161 (u. 1)</li> </ul>	
32	<ul style="list-style-type: none"> <li>● TT MULTIFUNCTION HOSE 0/001.010.9100 (u. 1)</li> </ul>	
33	<ul style="list-style-type: none"> <li>● KIT ADHESIVE KAYABA ECRANGER BE95285GG-CTR-1 (u. 1)</li> </ul>	
34	<ul style="list-style-type: none"> <li>● STICKER CATADRIOPTICO 0/000.630.9102 (u. 2)</li> </ul>	

**FORK PARTS**

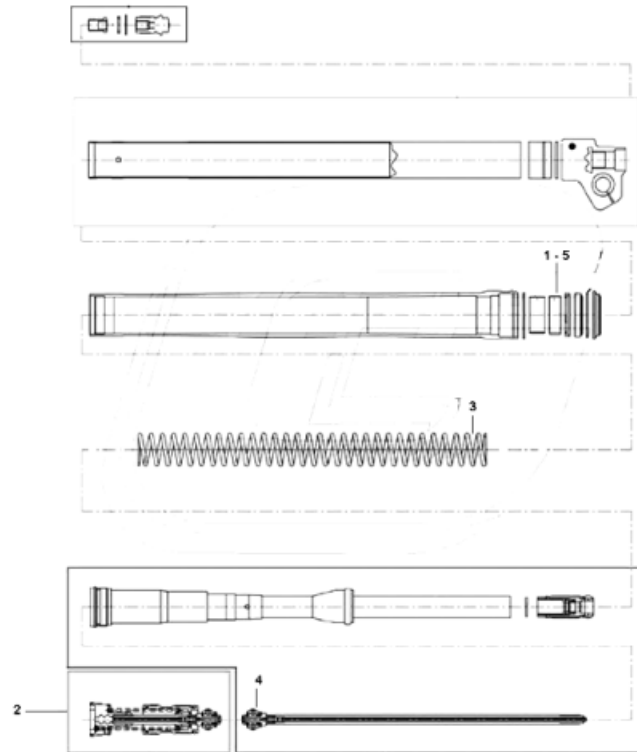


1	<ul style="list-style-type: none"> <li>CTO.RETENES SUSPENSION KAYABA ECRANGER BE20140CT-CTR-1 (u. 1)</li> </ul>
2	<ul style="list-style-type: none"> <li>CTO.GUARDAPOLVO SUSPENSION KAYABA ECRANGER BE20130CT-CTR-1 (u. 1)</li> </ul>
3	<ul style="list-style-type: none"> <li>GLACIER BOTELLA SUSPENSION KAYABA ECRANGER BE20150GG-CTR-1 (u. 1)</li> </ul>
4	<ul style="list-style-type: none"> <li>GLACIER BAR SUSPENSION KAYABA RANGER BE20151GG-CTR-1 (u. 1)</li> </ul>
5	<ul style="list-style-type: none"> <li>CTO.MUELLES SUSPENSION K-4.2N KAYABA ECRANGER BE20172CT-CTR-1 (u. 1)</li> </ul>
	<ul style="list-style-type: none"> <li>CTO.MUELLES SUSPENSION K-3.8N KAYABA ECRANGER BE20171CT-CTR-1 (u. 1)</li> </ul>
	<ul style="list-style-type: none"> <li>CTO.MUELLES SUSPENSION K-4.0N KAYABA ECRANGER BE20170CT-CTR-1 (u. 1)</li> </ul>
6	<ul style="list-style-type: none"> <li>CTO. TAPON COMPRESION ECRANGER BE20125GG-CTR-1 (u. 1)</li> </ul>
7	<ul style="list-style-type: none"> <li>TORICA TAPON COMPRESION ECRANGER BE20126GG-CTR-1 (u. 1)</li> </ul>
9	<ul style="list-style-type: none"> <li>TORNILLO TAPON REGULACION COMPRESION CON TORICA ECRANGER BE20175GG-CTR-1 (u. 1)</li> </ul>
12	<ul style="list-style-type: none"> <li>MUELLE TAPON COMPRESION ECRANGER BE20195GG-CTR-1 (u. 1)</li> </ul>
16	<ul style="list-style-type: none"> <li>TUERCA GUIA MUELLE ECRANGER BE20156GG-CTR-1 (u. 1)</li> </ul>
18	<ul style="list-style-type: none"> <li>GUIA MUELLE ECRANGER BE20155GG-CTR-1 (u. 1)</li> </ul>
49	<ul style="list-style-type: none"> <li>TAPON BASE COMPRESION ECRANGER BE20250GG-CTR-1 (u. 1)</li> </ul>

<b>61</b>	<ul style="list-style-type: none"><li>SEEGER PISTON REBOTE ECRANGER BE20260GG-CTR-1 (u. 1)</li></ul>
<b>62</b>	<ul style="list-style-type: none"><li>TORICA TAPON BASE COMPRESION ECRANGER BE20255GG-CTR-1 (u. 1)</li></ul>
<b>75</b>	<ul style="list-style-type: none"><li>BOTELLA SUSPENSION KAYABA ECRANGER BE20100GG-CTR-1 (u. 1)</li></ul>
<b>79</b>	<ul style="list-style-type: none"><li>CTO.BARRA SUSPENSION DERECHA KAYABA ECRANGER BE20110CT-CTR-1 (u. 1)</li></ul>
	<ul style="list-style-type: none"><li>CTO.BARRA SUSPENSION IZQUIERDA KAYABA ECRANGER BE20115CT-CTR-1 (u. 1)</li></ul>
<b>88</b>	<ul style="list-style-type: none"><li>BASTAGO COMPRESION ECRANGER BE20190GG-CTR-1 (u. 1)</li></ul>
<b>91</b>	<ul style="list-style-type: none"><li>CIRCLIP SUSPENSION KAYABA ECRANGER BE20135GG-CTR-1 (u. 1)</li></ul>

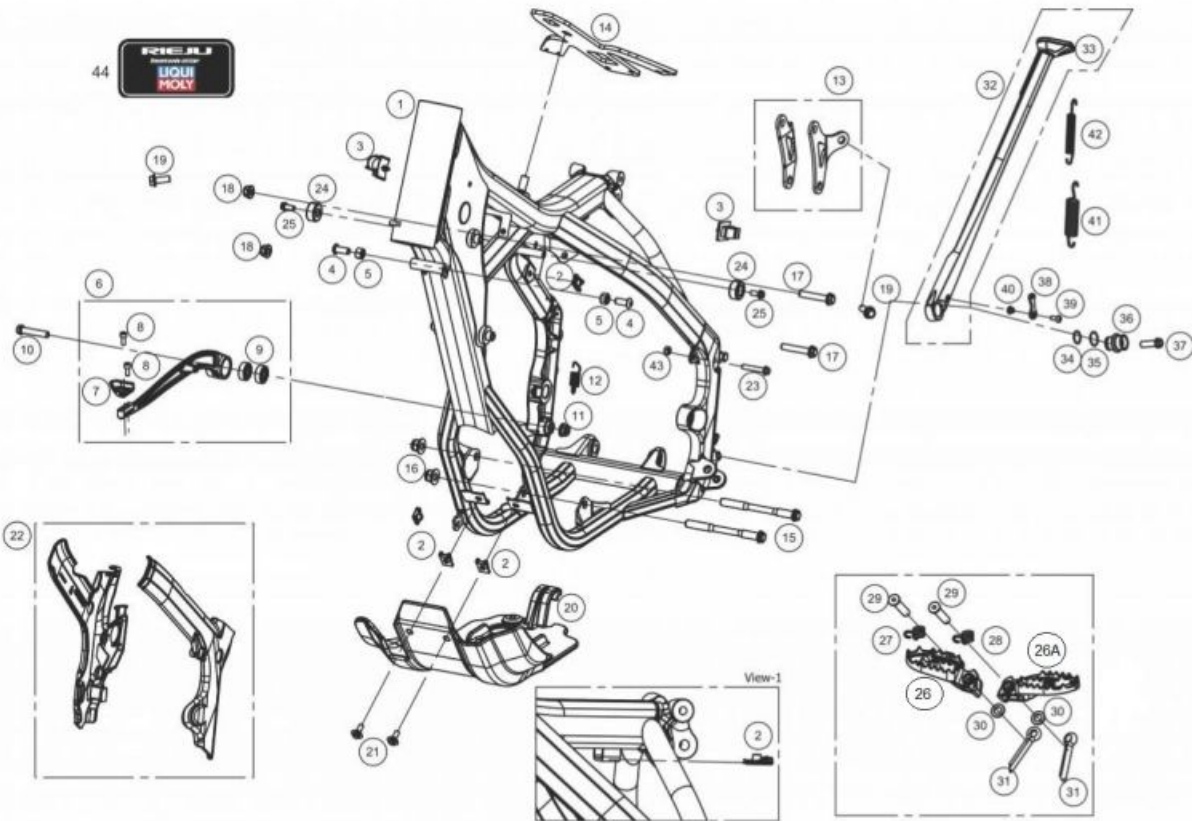


## KYB TOOLS



- |   |   |
|---|---|
| 1 | <ul style="list-style-type: none"> <li>● TOOL SEAL SUSPENSION KAYABA ENDURO<br/>BE20225GG-CLJ-1 (u. 1)</li> </ul>                 |
| 2 | <ul style="list-style-type: none"> <li>● TOOL CAP SUSPENSION KAYABA ENDURO<br/>BE21105GG-CLJ-1 (u. 1)</li> </ul>                  |
| 3 | <ul style="list-style-type: none"> <li>● TOOL BRACKET PISTON AJUSTE SUSPENSION KAYABA ENDUR<br/>BE20230GG-CLJ-1 (u. 1)</li> </ul> |
| 4 | <ul style="list-style-type: none"> <li>● TOOL CAP CARTRIDGE SUSPENSION KAYABA ENDURO<br/>BE21106GG-CLJ-1 (u. 1)</li> </ul>        |
| 5 | <ul style="list-style-type: none"> <li>● TOOL INSERTADOR SEAL SUSPENSION KAYABA ENDURO<br/>BE20235GG-CLJ-1 (u. 1)</li> </ul>      |

**FRAME**



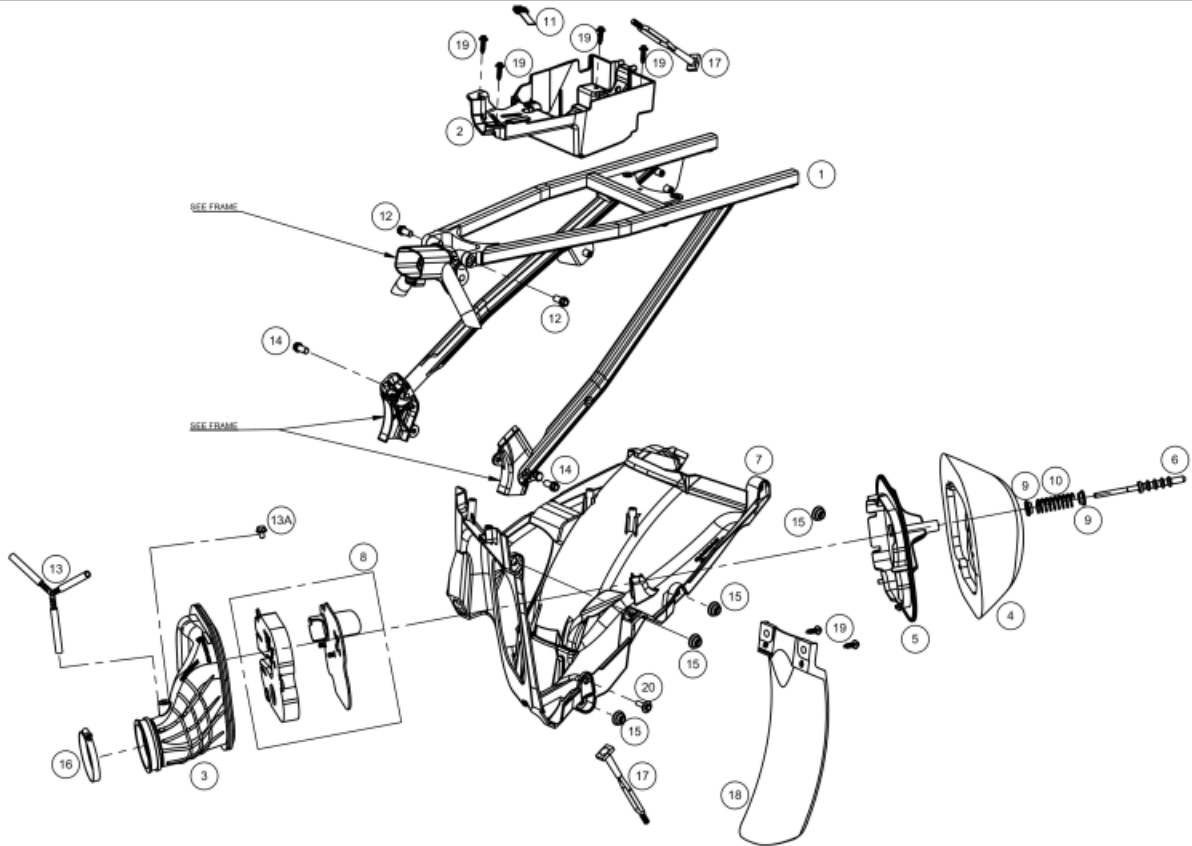
1	<ul style="list-style-type: none"> <li>● FRAME EC 250 300 2T 2018 BLACK 0/000.010.9100 (u. 1)</li> </ul>	
2	<ul style="list-style-type: none"> <li>● NUT 6MM 0/000.340.9120 (u. 3)</li> </ul>	
3	<ul style="list-style-type: none"> <li>● CLIP (1E3J) SUJ. INST. ENDURO 2018 0/000.630.9100 (u. 2)</li> </ul>	
4	<ul style="list-style-type: none"> <li>● ALLEN BOLT 8x25 ISO 7380-1 ZN 10.9 0/000.460.9157 (u. 2)</li> </ul>	
5	<ul style="list-style-type: none"> <li>● ZINC STEERING STOPNUT M8X13X8 ISO 4033 ZINC 0/000.340.9109 (u. 2)</li> </ul>	
6	<ul style="list-style-type: none"> <li>● KICK BRAKE ENDURO 2018 0/000.730.9100 (u. 1)</li> </ul>	
7	<ul style="list-style-type: none"> <li>● PUNTERA KICK BRAKE BE130102510 (u. 1)</li> </ul>	
8	<ul style="list-style-type: none"> <li>● ALLEN 5x12 T0305012 (u. 2)</li> </ul>	<b>OBSOLETE</b>
9	<ul style="list-style-type: none"> <li>● Bearing 628-2RS BE13025GG-CLJ-1 (u. 2)</li> </ul>	
10	<ul style="list-style-type: none"> <li>● SCREW SPECIAL 8X40 GEOMET 10.9 0/000.460.9140 (u. 1)</li> </ul>	
11	<ul style="list-style-type: none"> <li>● NUT 8mm NYLOCK + WASHER ZINC 0/000.340.9119 (u. 1)</li> </ul>	
12	<ul style="list-style-type: none"> <li>● BRAKE PEDAL WIRE 0/000.470.9100 (u. 1)</li> </ul>	
13	<ul style="list-style-type: none"> <li>● SET BRACE CYLINDER HEAD ENDURO 250 300 2018 BE11100CT-CLJ-1 (u. 1)</li> </ul>	
14	<ul style="list-style-type: none"> <li>● RUBBER PROT.TANK GASOL.ENDURO 2018 0/000.220.9116 (u. 1)</li> </ul>	
15	<ul style="list-style-type: none"> <li>● SCREW 10x113 GEOMET 10.9 0/000.460.9132 (u. 2)</li> </ul>	

16	<ul style="list-style-type: none"> <li>NUT 10mm (1.25) ZINC 8 0/000.340.9123 (u. 2)</li> </ul>
17	<ul style="list-style-type: none"> <li>SPECIAL SCREW 8x50 GEOMET 10.9 0/000.460.9141 (u. 1)</li> </ul>
18	<ul style="list-style-type: none"> <li>NUT 8mm NYLOCK + WASHER ZINC 0/000.340.9119 (u. 2)</li> </ul>
19	<ul style="list-style-type: none"> <li>SREW SPECIAL 8x20 GEOMET 10.9 0/000.460.9136 (u. 1)</li> </ul>
20	<ul style="list-style-type: none"> <li>KIT PROTECTOR CRANKCASE 0/R00.220.9100 (u. 1)</li> </ul>
22	<ul style="list-style-type: none"> <li>KIT PROTECTORES LATERALES CHASIS MR BLANCOS 0/K00.220.9105 (u. 1)</li> </ul>
23	<ul style="list-style-type: none"> <li>SPECIAL BOLT 6X35 DIN 6921 GEOMET 0/000.460.9124 (u. 1)</li> </ul>
24	<ul style="list-style-type: none"> <li>SILENTBLOCK+WASHER TANK GASOL. 0/000.360.9106 (u. 2)</li> </ul>
25	<ul style="list-style-type: none"> <li>HEX BOLT WASHER 6x14 (Fork Brace) DIN 6921 0/000.460.9118 (u. 2)</li> </ul>
26	<ul style="list-style-type: none"> <li>FOOTREST RIGHT ENDURO 2018 0/000.740.9100 (u. 1)</li> </ul>
26a	<ul style="list-style-type: none"> <li>FOOTREST LEFT ENDURO 2018 0/000.740.9101 (u. 1)</li> </ul>
27	<ul style="list-style-type: none"> <li>SPRING FOOTREST RIGHT. 0/000.470.9101 (u. 1)</li> </ul>
28	<ul style="list-style-type: none"> <li>SPRING FOOTREST LEFT. 0/000.470.9102 (u. 1)</li> </ul>
29	<ul style="list-style-type: none"> <li>BUSH PIN FOOTREST 0/000.480.9101 (u. 2)</li> </ul>
30	<ul style="list-style-type: none"> <li>WASHER 10x20x2 DIN 125A ZINC 0/000.440.9115 (u. 2)</li> </ul>
31	<ul style="list-style-type: none"> <li>PIN DIN 94 ISO 1234 0/000.840.9100 (u. 2)</li> </ul>
32	<ul style="list-style-type: none"> <li>CJTO. STAND MR RANGER COMPLETE 0/K00.210.9101 (u. 1)</li> </ul>
33	<ul style="list-style-type: none"> <li>BASEL STAND ENDURO 2018 0/000.570.9100 (u. 1)</li> </ul>
34	<ul style="list-style-type: none"> <li>O-RING BUSH STAND 15x1,5 0/000.490.9100 (u. 1)</li> </ul>
35	<ul style="list-style-type: none"> <li>O-RING BUSH STAND 17x1,5 0/000.490.9101 (u. 1)</li> </ul>
36	<ul style="list-style-type: none"> <li>BUSH FIX .STAND ENDURO 2018 0/000.480.9102 (u. 1)</li> </ul>
	<ul style="list-style-type: none"> <li>CASQUILLO CABALLETE COMPETICIÓN 0/000.480.9129 (u. 1) - <i>NO HOMOLOG.</i></li> </ul>
37	<ul style="list-style-type: none"> <li>SCREW SPECIAL 8X25 GEOMET 10.9 0/000.460.9137 (u. 1)</li> </ul>
	<ul style="list-style-type: none"> <li>SCREW ISO 7380 Torx T-40 M8x25 INOX 0/000.460.0081 (u. 1) - <i>NO HOMOLOG.</i></li> </ul>
38	<ul style="list-style-type: none"> <li>LCAM STAND ENDURO 2018 0/000.830.9100 (u. 1)</li> </ul>
39	<ul style="list-style-type: none"> <li>TORNILLO ISO 7380 Torx T-25 con arandela M5x16 INOX 0/000.460.0083 (u. 1)</li> </ul>
	<ul style="list-style-type: none"> <li>ALLEN BOLT ULS 5x16 ISO 7380-1 ZINC 12.9 0/000.460.9155 (u. 1)</li> </ul>
	<ul style="list-style-type: none"> <li>TORNILLO ISO 7380 Torx T-25 con arandela M5x16 INOX 0/000.460.0083 (u. 1)</li> </ul>

OBSOLETE

<b>40</b>	<ul style="list-style-type: none"><li>● BUSH LCAM STAND ENDURO 0/000.480.9103 (u. 1)</li></ul>
<b>41</b>	<ul style="list-style-type: none"><li>● SPRING EXTERIOR STAND ENDURO 2018 0/000.470.9103 (u. 1)</li></ul>
<b>42</b>	<ul style="list-style-type: none"><li>● SPRING INTERIOR STAND ENDURO 2018 0/000.470.9104 (u. 1)</li></ul>
<b>43</b>	<ul style="list-style-type: none"><li>● NYLOCK NUT 6mm DIN 985 ZN CR3 6 0/000.340.9113 (u. 1)</li></ul>

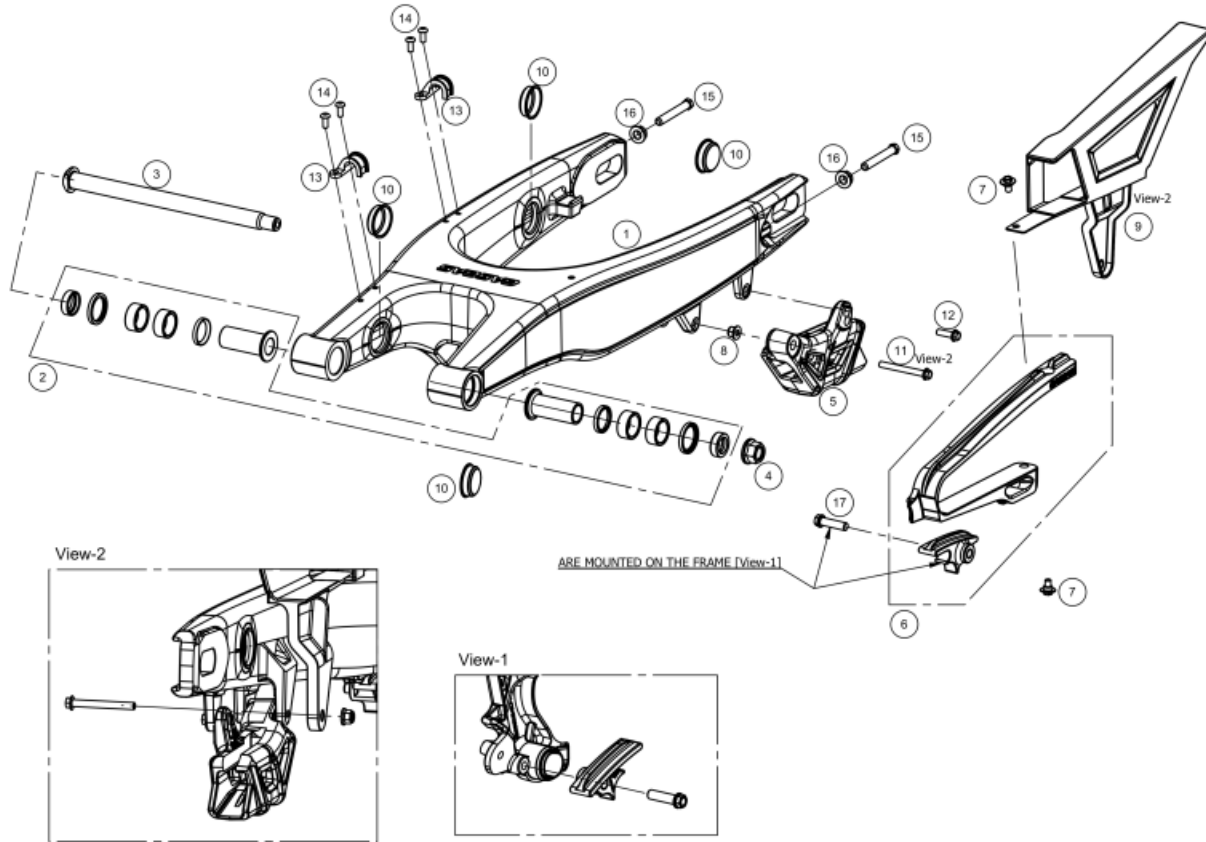
**REAR FRAME**



1	<ul style="list-style-type: none"> <li>● EC 2018 SUBCHASSIS KIT WITH RIVETS 0/K00.010.9102 (u. 1)</li> </ul>
2	<ul style="list-style-type: none"> <li>● BRACKET BATTERY -CDI-RELE STARTER EC 2018 0/000.570.9101 (u. 1)</li> </ul>
3	<ul style="list-style-type: none"> <li>● MANIFOLD C.FILTER.EC 2018 0/000.360.9113 (u. 1)</li> </ul>
4	<ul style="list-style-type: none"> <li>● FILTER AIR EC 2018 (OEM158084X) 0/001.070.9100 (u. 1)</li> </ul>
5	<ul style="list-style-type: none"> <li>● HOLDER FILTER EC 2018 0/000.570.9104 (u. 1)</li> </ul>
6	<ul style="list-style-type: none"> <li>● FILTER BOLT BE250728003 (u. 1)</li> </ul>
7	<ul style="list-style-type: none"> <li>● C.FILTER.ENDURO 2018 0/000.570.9103 (u. 1)</li> </ul>
8	<ul style="list-style-type: none"> <li>● KIT RESTRICTOR FILTRO DE AIRE BE79800CT-CLJ-1 (u. 1)</li> </ul>
9	<ul style="list-style-type: none"> <li>● AIR FILTER NYLON WASHER 0/000.440.9100 (u. 2)</li> </ul>
10	<ul style="list-style-type: none"> <li>● FILTER BOX SPRING 0/000.470.9105 (u. 1)</li> </ul>
11	<ul style="list-style-type: none"> <li>● CDI hold-down band 0/000.360.9101 (u. 1)</li> </ul>
12	<ul style="list-style-type: none"> <li>● SCREW SPECIAL 8X25 GEOMET 10.9 0/000.460.9137 (u. 2)</li> </ul>
13A	<ul style="list-style-type: none"> <li>● M6X12 BLACK ESPECIAL PLASTIC SCREW 0/000.460.9109 (u. 1)</li> </ul>
13	<ul style="list-style-type: none"> <li>● SET TUBE SVAPORIZADOR BLOW BY ENDURO 2018 0/000.290.9106 (u. 1)</li> </ul>

<b>14</b>	<ul style="list-style-type: none"> <li>● SCREW SPECIAL 8X16 GEOMET 10.9 0/000.460.9135 (u. 2)</li> </ul>
<b>15</b>	<ul style="list-style-type: none"> <li>● SILENTBLOCK NUMBER-PLATE LEFT.ENDURO 2018 0/000.360.9109 (u. 4)</li> </ul>
<b>16</b>	<ul style="list-style-type: none"> <li>● CLAMP 50-70/9 INOX FE 0/000.680.9101 (u. 1)</li> </ul>
<b>17</b>	<ul style="list-style-type: none"> <li>● RUBBER STAND EC 2015 0/000.360.9100 (u. 2)</li> </ul>
<b>18</b>	<ul style="list-style-type: none"> <li>● PROT.SHOCK EC 2018 0/000.220.9117 (u. 1)</li> </ul>
<b>19</b>	<ul style="list-style-type: none"> <li>● TORNILLO ESPECIAL ROSCA PLASTICO CABOTA HEXAGONAL T0806020 (u. 6)</li> </ul>
	<ul style="list-style-type: none"> <li>● BOLT TANK-SEAT 6x23 (EJOT ref. 05100519) T0806023 (u. 6)</li> </ul>
<b>20</b>	<ul style="list-style-type: none"> <li>● BOLT ESP. 6X16 DRACOMET 0/000.460.9100 (u. 1)</li> </ul>
<b>21</b>	<ul style="list-style-type: none"> <li>● CRANKCASE VENT NIPPLE D.3 0/000.630.9105 (u. 1)</li> </ul>

**SWINGARM**



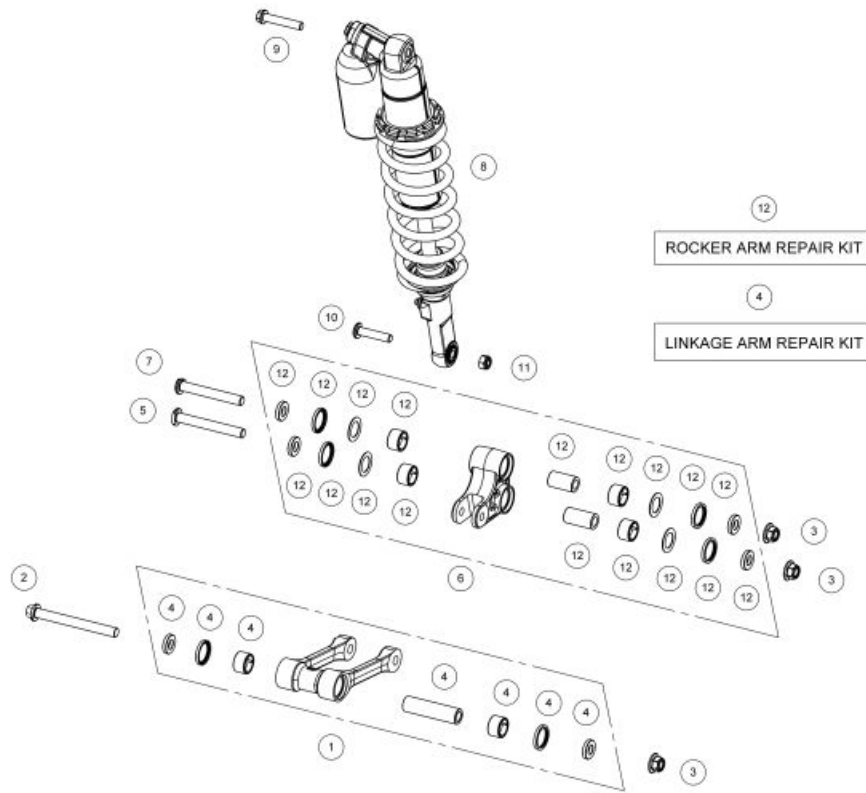
1	<ul style="list-style-type: none"> <li>● SWINGARM ENDURO 2018 0/000.020.9100 (u. 1)</li> </ul>
2	<ul style="list-style-type: none"> <li>● SWINGARM SET REPARATION BE41000CT-CLJ-1 (u. 1)</li> </ul>
3	<ul style="list-style-type: none"> <li>● AXLE SWINGARM ENDURO 2018 0/000.190.9101 (u. 1)</li> </ul>
4	<ul style="list-style-type: none"> <li>● SWINGARM NUT 0/000.340.9103 (u. 1)</li> </ul>
5	<ul style="list-style-type: none"> <li>● GUIDE CHAIN 0/000.710.9100 (u. 1)</li> </ul>
6	<ul style="list-style-type: none"> <li>● CHAIN SLIDER KIT 3 COMP. BE43015CT-CLJ-1 (u. 1)</li> </ul>
7	<ul style="list-style-type: none"> <li>● SCREW ESP.6x7 DRACOMET 0/000.460.9161 (u. 2)</li> </ul>
8	<ul style="list-style-type: none"> <li>● PASSENGER FOOTREST NUT 0/000.340.0170 (u. 1)</li> </ul>
	<ul style="list-style-type: none"> <li>● PASSENGER FOOTREST NUT 0/000.340.0170 (u. 1)</li> <li>● TUERCA AUTOBLOC. M-6 C/ARAND DIN-6926 ZINC 0/000.340.9117 (u. 1)</li> </ul>
9	<ul style="list-style-type: none"> <li>● PROT.CHAIN HOMOL.EC 2018 0/000.220.9107 (u. 1)</li> </ul>
10	<ul style="list-style-type: none"> <li>● CAP SWINGARM EC 2018 (465658) 0/000.410.9100 (u. 4)</li> </ul>
11	<ul style="list-style-type: none"> <li>● SPECIAL SCREW 6X55 DIN 6921 DRACOMET 8.8 0/000.460.9127 (u. 1)</li> </ul>
12	<ul style="list-style-type: none"> <li>● BOLT 6x20 DIN 6921 GEOMET 10.9 0/000.460.9120 (u. 1)</li> </ul>
13	<ul style="list-style-type: none"> <li>● SWINGARM HOSE HOLDER 0/000.630.9101 (u. 2)</li> </ul>

**OBSOLETE**

<b>14</b>	<ul style="list-style-type: none"><li>● HEAD SCREW 5x15 DIN 6921 GEOMET 10.9 0/000.460.9115 (u. 4)</li></ul>
<b>15</b>	<ul style="list-style-type: none"><li>● WHEEL TENSOR SCREW 0/000.460.9105 (u. 2)</li></ul>
<b>16</b>	<ul style="list-style-type: none"><li>● M8 FLANGE NUT DIN 6927 ACERO 8 0/000.340.9118 (u. 2)</li></ul>
<b>17</b>	<ul style="list-style-type: none"><li>● SPECIAL SCREW 8x35 GEOMET 10.9 0/000.460.9139 (u. 1)</li></ul>

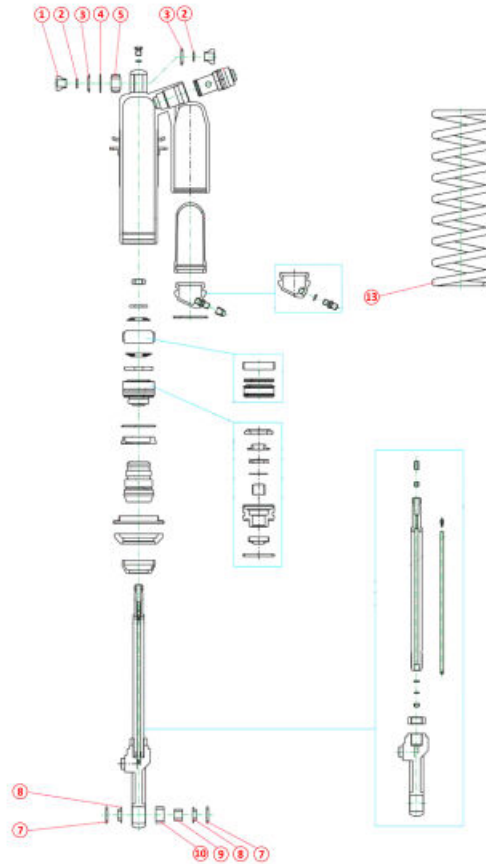


**SHOCK ABSORBER**



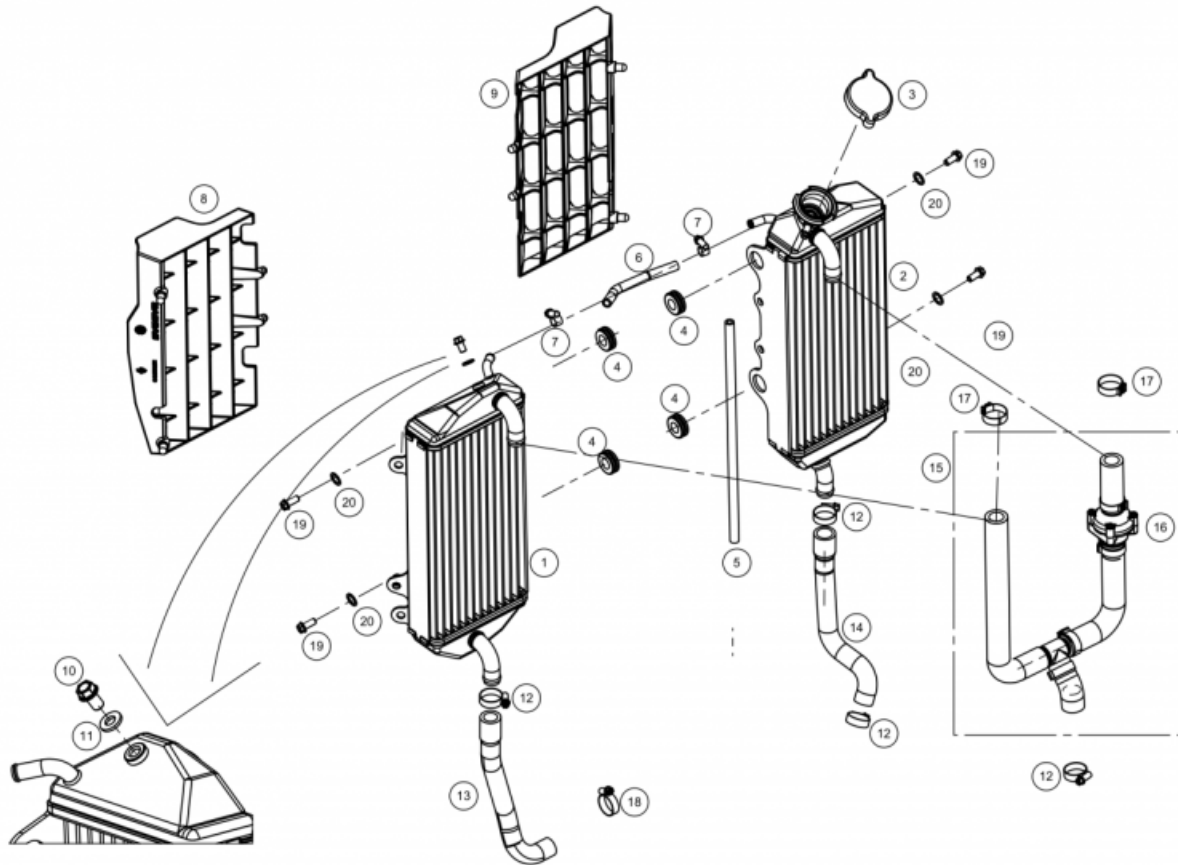
1	<ul style="list-style-type: none"> <li>● SET LINK ENDURO 2018 BE34000CT-CLJ-1 (u. 1)</li> </ul>
2	<ul style="list-style-type: none"> <li>● SCREW AXLE LINK FRAME 22X128 0/000.460.9102 (u. 1)</li> </ul>
3	<ul style="list-style-type: none"> <li>● NUT M12x1.25 .ZINC DIN 6923 ZINC 0/000.340.9115 (u. 3)</li> </ul>
4	<ul style="list-style-type: none"> <li>● CONECTING ROD REPAIR EC KIT 2018 BE32035CT-CLJ-1 (u. 1)</li> </ul>
5	<ul style="list-style-type: none"> <li>● SCREW AXLE LINK BALANCIN 22X99.5 0/000.460.9103 (u. 1)</li> </ul>
6	<ul style="list-style-type: none"> <li>● SET BALANCIN ENDURO 2018 BE32000CT-CLJ-1 (u. 1)</li> </ul>
7	<ul style="list-style-type: none"> <li>● SCREW AXLE BALANCIN SWINGARM 22X92.5 0/000.460.9104 (u. 1)</li> </ul>
8	<ul style="list-style-type: none"> <li>● SHOCK ABSORBER KYB ECRANGER 0/000.180.9101 (u. 1)</li> </ul>
9	<ul style="list-style-type: none"> <li>● SCREW 10x60 ISO 898-1 GEOMET 10.9 0/000.460.9131 (u. 1)</li> </ul>
10	<ul style="list-style-type: none"> <li>● SCREW AXLE INF.SHOCK 20X48.5 0/000.460.9107 (u. 1)</li> </ul>
11	<ul style="list-style-type: none"> <li>● NUT AUTOBLOC.M10X125 DIN 985 ZINC 8 0/000.340.9110 (u. 1)</li> </ul>
12	<ul style="list-style-type: none"> <li>● ROCKER ARM REPAIR KIT EC 2018 BE34035CT-CLJ-1 (u. 1)</li> </ul>

**SHOCK ABSORBER**



1	<ul style="list-style-type: none"> <li>BUSH ROTULA SUP. SUSPENSION KAYABA ENDURO BE20210GG-CLJ-1 (u. 1)</li> </ul>
2	<ul style="list-style-type: none"> <li>O-RING BALL-JOINT SUSPENSION KAYABA ENDURO BE30025GG-CLJ-1 (u. 3)</li> </ul>
3	<ul style="list-style-type: none"> <li>SEAL BALL-JOINT SUPERIOR SUSPENSION KAYABA ENDURO BE23295GG-CLJ-1 (u. 3)</li> </ul>
4	<ul style="list-style-type: none"> <li>WASHER BALL-JOINT SUPERIOR SUSPENSION KAYABA ENDUR BE232990GG-CLJ-1 (u. 1)</li> </ul>
5	<ul style="list-style-type: none"> <li>BALL-JOINT SUPERIOR SUSPENSIONRECHA KAYABA ENDURO BE23250GG-CLJ-1 (u. 1)</li> </ul>
7	<ul style="list-style-type: none"> <li>DUST KEEPER SEAL BALL-JOINT LOWER KAYABA ENDURO BE23280GG-CLJ-1 (u. 2)</li> </ul>
8	<ul style="list-style-type: none"> <li>BUSH BALL-JOINT LOWER SUSPENSION KAYABA ENDURO BE23285GG-CLJ-1 (u. 2)</li> </ul>
9	<ul style="list-style-type: none"> <li>BRG. NOZZLE LOWER SUSPENSION KAYABA ENDURO BE36060GG-CLJ-1 (u. 1)</li> </ul>
10	<ul style="list-style-type: none"> <li>BUSHER LOWER SUSP. KAYABA ENDURO BE23300GG-CLJ-1 (u. 1)</li> </ul>
13	<ul style="list-style-type: none"> <li>SPRING SHOCK ABSORBER 46 mm 50n SUSPENSION KAYABA BE30010GG-CLJ-1 (u. 1)</li> </ul>
	<ul style="list-style-type: none"> <li>SPRING SHOCK ABSORBER 46 mm 54n SUSPENSION KAYABA BE30012GG-CLJ-1 (u. 1)</li> </ul>
	<ul style="list-style-type: none"> <li>SPRING SHOCK ABSORBER 46 mm 52n SUSPENSION KAYABA BE30011GG-CLJ-1 (u. 1)</li> </ul>

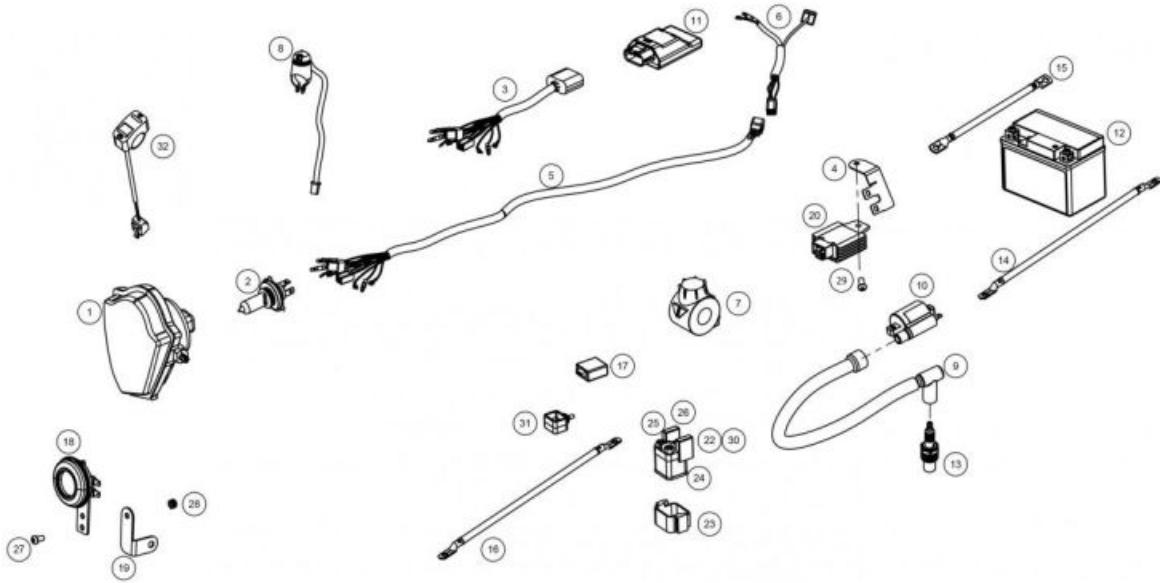
**RADIATOR**



- |    |  |
|----|--|
| 1  | <ul style="list-style-type: none"> <li>● LEFT RADIATOR ENDURO 2018<br/>0/000.580.9103 (u. 1)</li> </ul>                          |
| 2  | <ul style="list-style-type: none"> <li>● RIGHT RADIATOR WITH 2 SILENBLOCK 2019<br/>0/000.580.9102 (u. 1)</li> </ul>              |
| 3  | <ul style="list-style-type: none"> <li>● CAP RADIATOR ENDURO 2018<br/>0/000.410.9101 (u. 1)</li> </ul>                           |
| 4  | <ul style="list-style-type: none"> <li>● SILENBLOCK RADIATOR EC<br/>BIE500132031 (u. 4)</li> </ul>                               |
| 5  | <ul style="list-style-type: none"> <li>● RADIATOR BREATHE HOSE 5X8 ù 39CM<br/>0/000.290.9117 (u. 1)</li> </ul>                   |
| 6  | <ul style="list-style-type: none"> <li>● TUBE UNION RADIADORES ENDURO 2018<br/>0/000.290.9103 (u. 1)</li> </ul>                  |
| 7  | <ul style="list-style-type: none"> <li>● COLLARTORRO SIN FIN 10-16 (10107270010) INOX FE<br/>0/000.680.9108 (u. 2)</li> </ul>    |
| 8  | <ul style="list-style-type: none"> <li>● GRID RADIATOR IZQUIERDA ENDURO 2018<br/>0/000.220.9113 (u. 1)</li> </ul>                |
| 9  | <ul style="list-style-type: none"> <li>● GRID RAD. RIGHT ENDURO 2018<br/>0/000.220.9112 (u. 1)</li> </ul>                        |
| 10 | <ul style="list-style-type: none"> <li>● SCREW SPECIAL 6X10+WASHER GEOMET 10.9<br/>0/000.460.9133 (u. 1)</li> </ul>              |
| 11 | <ul style="list-style-type: none"> <li>● HEAD BOLT WASHE 6x10x1.5<br/>0/000.440.9122 (u. 1)</li> </ul>                           |
| 12 | <ul style="list-style-type: none"> <li>● COLLARTORRO WITHOUT FIN 16-27 (10107270027) INOX F<br/>0/000.680.9107 (u. 4)</li> </ul> |
| 13 | <ul style="list-style-type: none"> <li>● TUBE RADIATOR LEFT A CÁRTER LEFT EC 2018<br/>0/000.290.9105 (u. 1)</li> </ul>           |
| 14 | <ul style="list-style-type: none"> <li>● RIGHT RADIATOR LOWER HOSE<br/>0/000.290.9104 (u. 1)</li> </ul>                          |

15	<ul style="list-style-type: none"> <li>● SET TUBE S RADIADORES-TERMOSTATO EC 2018 0/000.290.9118 (u. 1)</li> </ul>	
16	<ul style="list-style-type: none"> <li>● THERMOSTAT 250 SM BE250432070 (u. 1)</li> </ul>	<b>OBSOLETE</b>
	<ul style="list-style-type: none"> <li>● TERMOSTATO RADIADOR 0/001.010.9103 (u. 1)</li> </ul>	
17	<ul style="list-style-type: none"> <li>● 21mm HOSE CLAMP INOX A2 0/000.680.9105 (u. 2)</li> </ul>	
18	<ul style="list-style-type: none"> <li>● HOSE CLAMP 19mm INOX A2 0/000.680.9104 (u. 1)</li> </ul>	
19	<ul style="list-style-type: none"> <li>● HEX BOLT WASHER 6x14 (Fork Brace) DIN 6921 0/000.460.9118 (u. 4)</li> </ul>	
20	<ul style="list-style-type: none"> <li>● WASHER 6X20X2 0/000.440.9112 (u. 4)</li> </ul>	

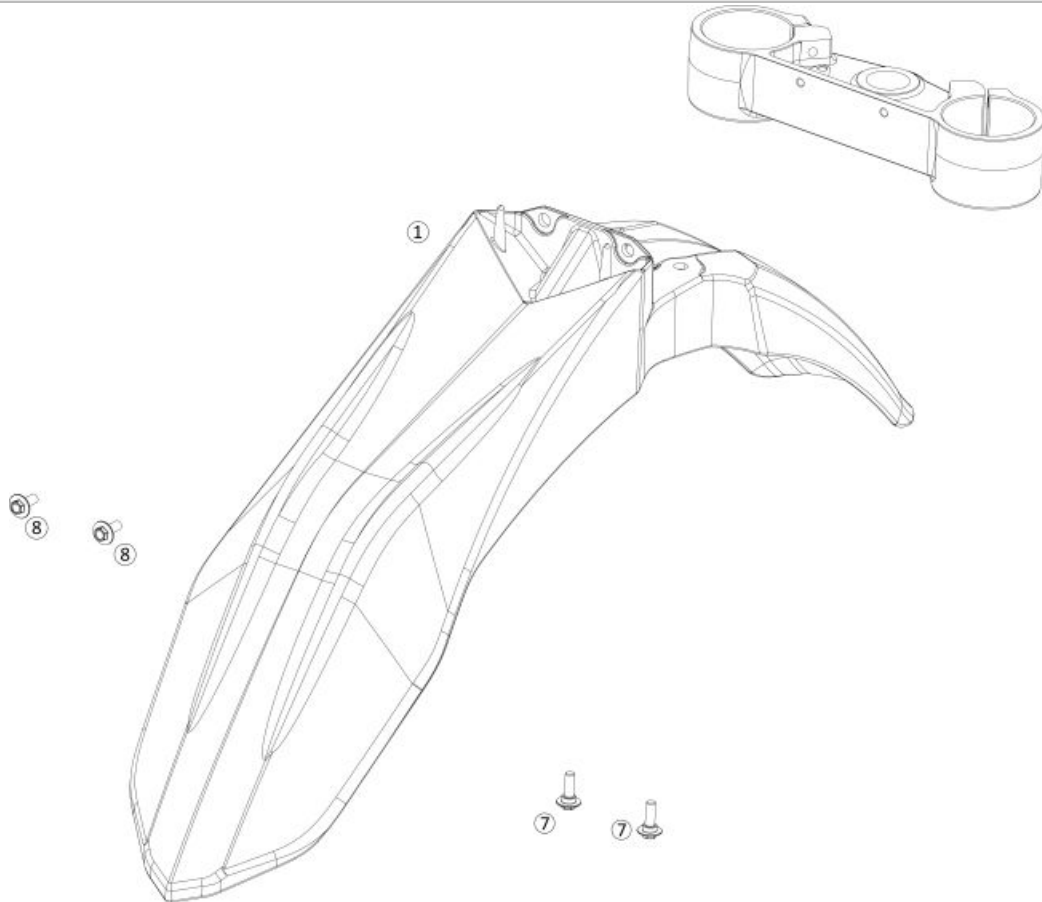
**ELECTRICAL PARTS**



1	<ul style="list-style-type: none"> <li>● HEADLIGHT WITH BULB COMPLETE PT-107 0/000.600.0270 (u. 1)</li> </ul>
2	<ul style="list-style-type: none"> <li>● HS1 12V3535W HALOGEN BULB L300125 (u. 1)</li> </ul>
3	<ul style="list-style-type: none"> <li>● CENTRAL SYSTEM ENDURO 2018 0/000.160.9100 (u. 1)</li> </ul>
4	<ul style="list-style-type: none"> <li>● BRACKET FIX .CONECTORES IGNITION ENDURO 2018 0/000.980.9110 (u. 1)</li> </ul>
5	<ul style="list-style-type: none"> <li>● MAIN ELECTRICAL INSTALLATION MR 0/000.160.9112 (u. 1)</li> </ul>
6	<ul style="list-style-type: none"> <li>● INST.LIGHT NUM-PLATE ENDURO 2018 0/000.160.9103 (u. 1)</li> </ul>
7	<ul style="list-style-type: none"> <li>● STARTER SWITCH ENDURO 2018 0/000.720.9101 (u. 1)</li> </ul>
8	<ul style="list-style-type: none"> <li>● PULSER PRING TRIAL 2015 0/000.720.9102 (u. 1)</li> </ul>
9	<ul style="list-style-type: none"> <li>● SPARK PLUG CAP NGK 0/005.110.9100 (u. 1)</li> </ul>
10	<ul style="list-style-type: none"> <li>● IGNITION COIL 0/005.070.9100 (u. 1)</li> </ul>
11	<ul style="list-style-type: none"> <li>● ECRANGER 30 PROGRAMMED CDI ASSEMBLY EE51100CT-CTR-1 (u. 1)</li> </ul>
12	<ul style="list-style-type: none"> <li>● BATTERY LITIUM 4.0 Ah, HJTZ7S-FPZ 0/000.900.9100 (u. 1)</li> </ul>
13	<ul style="list-style-type: none"> <li>● SPARK PLUG DENSO W24ESRU 0/005.110.9101 (u. 1)</li> </ul>
14	<ul style="list-style-type: none"> <li>● CABLE POSITIVE BATTERY EC 2019 0/000.160.9105 (u. 1)</li> </ul>
15	<ul style="list-style-type: none"> <li>● CAB. NEGATIVE BATTERY 0/000.160.9104 (u. 1)</li> </ul>
16	<ul style="list-style-type: none"> <li>● CABLE RELE A MOTOR ARRANQUE 2019 0/000.160.9107 (u. 1)</li> </ul>
17	<ul style="list-style-type: none"> <li>● MODUL DIODES SHOTKY 0/001.200.9100 (u. 1)</li> </ul>

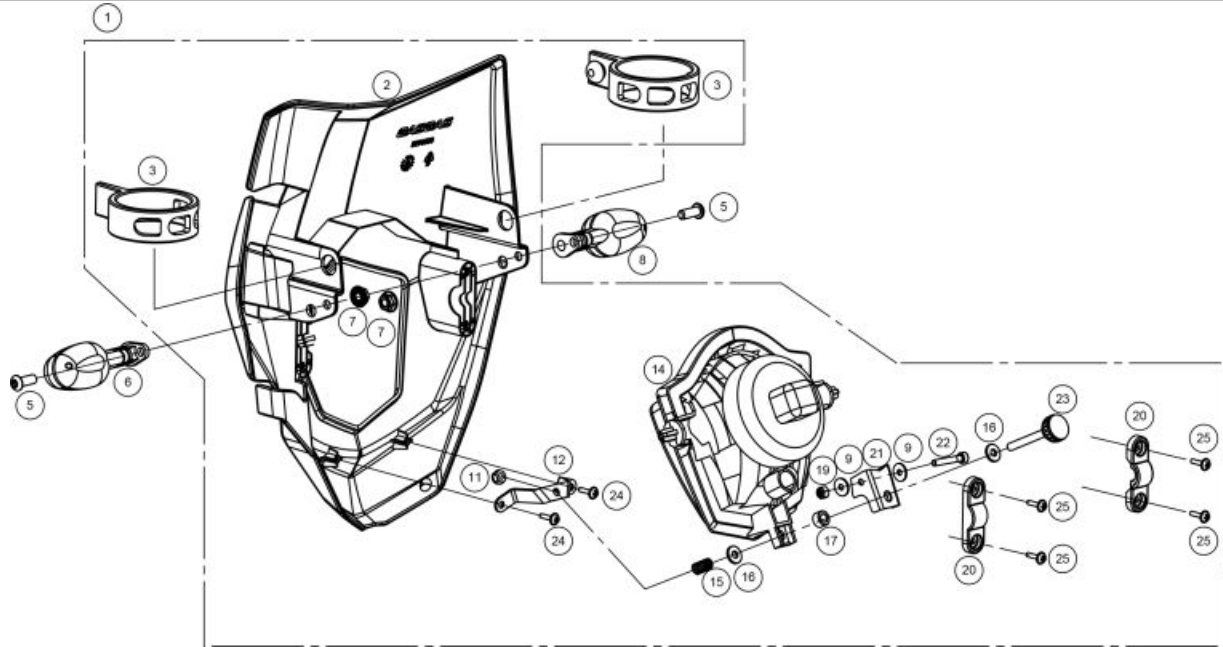
<b>18</b>	<ul style="list-style-type: none"> <li>● DC HORN COMPLETE 0/000.420.5010 (u. 1)</li> </ul>
	<ul style="list-style-type: none"> <li>● HORN CLASS II TYPE DL128J - 12V 0/000.420.5011 (u. 1)</li> </ul>
<b>19</b>	<ul style="list-style-type: none"> <li>● BRACKET HORN ENDURO 2018 0/000.980.9107 (u. 1)</li> </ul>
<b>20</b>	<ul style="list-style-type: none"> <li>● REGULATOR 0/005.070.9101 (u. 1)</li> </ul>
<b>22</b>	<ul style="list-style-type: none"> <li>● STARTING RELAY 0/001.200.9101 (u. 1)</li> </ul>
<b>23</b>	<ul style="list-style-type: none"> <li>● RUBBER BRACKET RELE STARTER FIJ.VERTICAL EE85205GG-CAK-1 (u. 1)</li> </ul>
<b>24</b>	<ul style="list-style-type: none"> <li>● FUSE PROTECTION CAP (B4694-730-00-001) EE851052511 (u. 2)</li> </ul>
<b>25</b>	<ul style="list-style-type: none"> <li>● WASHER Ø6 0/000.440.0240 (u. 2)</li> </ul>
<b>26</b>	<ul style="list-style-type: none"> <li>● SCREW SPECIAL 6X10+WASHER GEOMET 10.9 0/000.460.9133 (u. 2)</li> </ul>
<b>27</b>	<ul style="list-style-type: none"> <li>● BOLT WITH WASHER AND FIXING ESP 6X12 ISO 7380-2 IN 0/000.460.9108 (u. 1)</li> </ul>
<b>28</b>	<ul style="list-style-type: none"> <li>● NUT 6MM 0/000.340.9120 (u. 1)</li> </ul>
<b>29</b>	<ul style="list-style-type: none"> <li>● HEX BOLT WASHER 6x14 (Fork Brace) DIN 6921 0/000.460.9118 (u. 1)</li> </ul>
<b>30</b>	<ul style="list-style-type: none"> <li>● FUS. UNI. 20A 0/000.910.9100 (u. 2)</li> </ul>
<b>31</b>	<ul style="list-style-type: none"> <li>● DIODES MODULE RUBBER SUPPORT 0/000.360.9111 (u. 1)</li> </ul>

**FRONT FENDER**



- |          |   |
|----------|---|
| <b>1</b> | <ul style="list-style-type: none"> <li>● FRONT-FENDER MR BLACK<br/>0/000.050.9100 (u. 1)</li> </ul>   |
| <b>7</b> | <ul style="list-style-type: none"> <li>● BOLT ESP. 6X16 DRACOMET<br/>0/000.460.9100 (u. 2)</li> </ul> |
| <b>8</b> | <ul style="list-style-type: none"> <li>● SCREW ESP.6x7 DRACOMET<br/>0/000.460.9161 (u. 2)</li> </ul>  |

## FRONT LIGHT

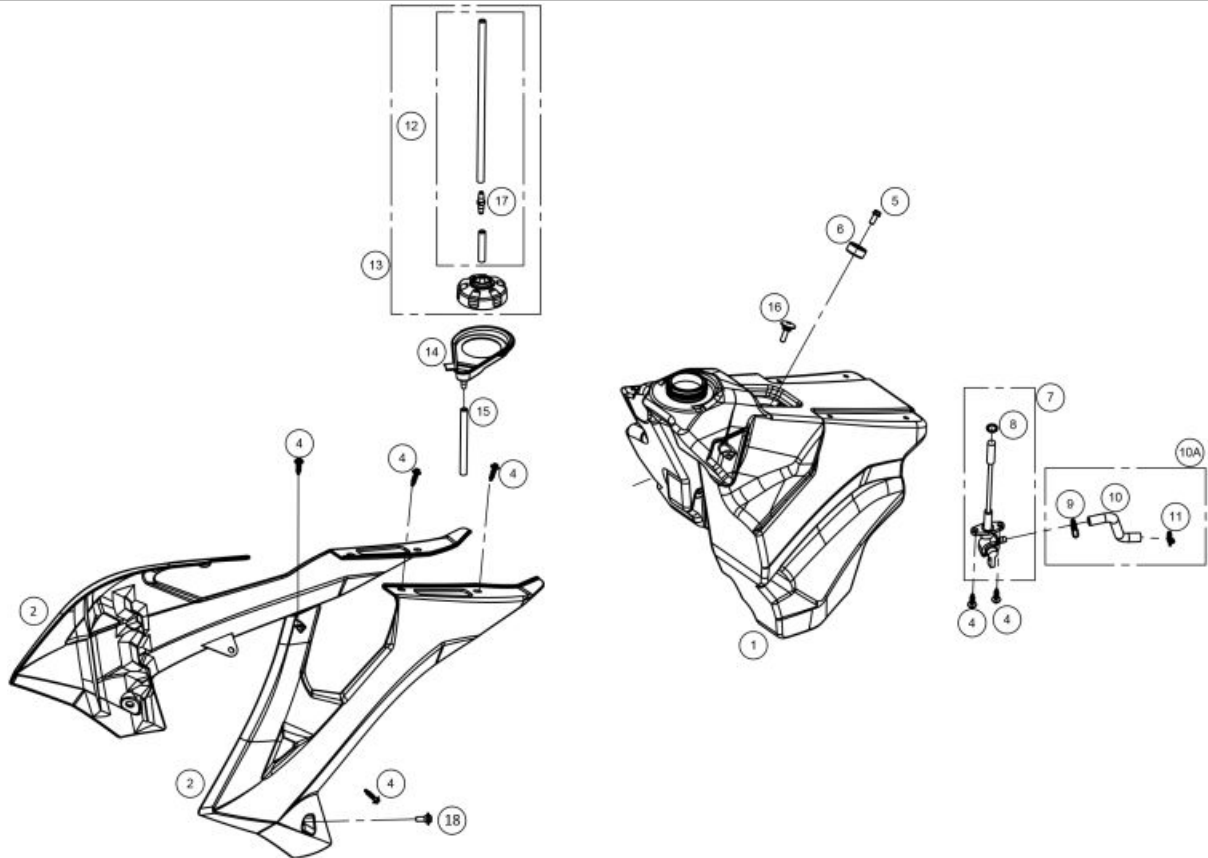


- |    |   |
|----|---|
| 1  | <ul style="list-style-type: none"> <li>LIGHTHOUSE COMPLETE KIT MR</li> <li>0/K00.620.9100 (u. 1)</li> </ul>   |
| 2  | <ul style="list-style-type: none"> <li>PORTAHEAD-LIGHTL.EC 2018 BL.</li> <li>0/000.620.9100 (u. 1)</li> </ul>   |
| 3  | <ul style="list-style-type: none"> <li>HEADLAMP RUBBER HOLDER</li> <li>0/000.360.9102 (u. 2)</li> </ul>   |
| 5  | <ul style="list-style-type: none"> <li>6X16 ULS SCREW ISO 7380-1 NEGRO 12.9</li> <li>0/000.460.9156 (u. 2)</li> </ul>   |
| 6  | <ul style="list-style-type: none"> <li>LEFT FRONT INDICATOR</li> <li>0/000.150.9101 (u. 1)</li> </ul>   |
| 7  | <ul style="list-style-type: none"> <li>NUT WASHER 6mm DIN 6923 ZINC 8</li> <li>0/000.340.9116 (u. 2)</li> </ul>   |
| 8  | <ul style="list-style-type: none"> <li>RIGHT FRONT INDICATOR</li> <li>0/000.150.9100 (u. 1)</li> </ul>  |
| 9  | <ul style="list-style-type: none"> <li>4X12X1 WASHER PLANE ZN AG CR3</li> <li>0/000.440.9119 (u. 2)</li> </ul>  |
| 11 | <ul style="list-style-type: none"> <li>SELFLOCKING NUT M5 DIN-985 ZINC 8</li> <li>0/000.340.9112 (u. 1)</li> </ul>  |
| 12 | <ul style="list-style-type: none"> <li>HEAD LIGHT REGULATION SHEET</li> <li>0/000.980.9103 (u. 1)</li> </ul>  |
| 13 | <ul style="list-style-type: none"> <li>VISS PALSTIC 4x10 ZN BLUE</li> <li>0/000.460.9159 (u. 2)</li> </ul>  |
| 14 | <ul style="list-style-type: none"> <li>COMPLETE HEAD LAMP BEAM UNIT</li> <li>0/000.600.0260 (u. 1)</li> </ul>   |
| 15 | <ul style="list-style-type: none"> <li>SCREW REG LAMP SPRING</li> <li>0/000.470.9107 (u. 1)</li> </ul>  |
| 16 | <ul style="list-style-type: none"> <li>WASHER 5x12x1.5 DIN 125A ZINC</li> <li>0/000.440.9121 (u. 2)</li> </ul>  |
| 17 | <ul style="list-style-type: none"> <li>ALUMINIUM BUSHING 55X10X6</li> <li>0/000.480.9128 (u. 1)</li> </ul>  |
| 19 | <ul style="list-style-type: none"> <li>NUT LOCKNUT. M4 DIN 985 ZINC 8</li> <li>0/000.340.9111 (u. 1)</li> </ul>   |
| 20 | <ul style="list-style-type: none"> <li>FRONT SUPPORT HEADLAMP</li> <li>0/000.980.9104 (u. 2)</li> <li>SOPORTE PORTAFARO MR NEGRO INY.</li> <li>0/000.980.9127 (u. 2)</li> </ul> |



<b>21</b>	<ul style="list-style-type: none"><li>● 2012 EC HEAD LIGHT REINFORCEMENT REED 0/000.980.9106 (u. 1)</li></ul>
<b>22</b>	<ul style="list-style-type: none"><li>● ALLEN BOLT, 4X25 DIN 912 ZINC 0/000.460.9144 (u. 1)</li></ul>
<b>23</b>	<ul style="list-style-type: none"><li>● REGULATOR BOLT HEADLIGHT ELESA 0/000.460.9106 (u. 1)</li></ul>
<b>24</b>	<ul style="list-style-type: none"><li>● VISS PALSTIC 4x10 ZN BLUE 0/000.460.9159 (u. 2)</li></ul>
<b>25</b>	<ul style="list-style-type: none"><li>● SPECIAL PLASTIC BOLT 4X12 CELO RF87T VERZINKT 0/000.460.9160 (u. 4)</li></ul>

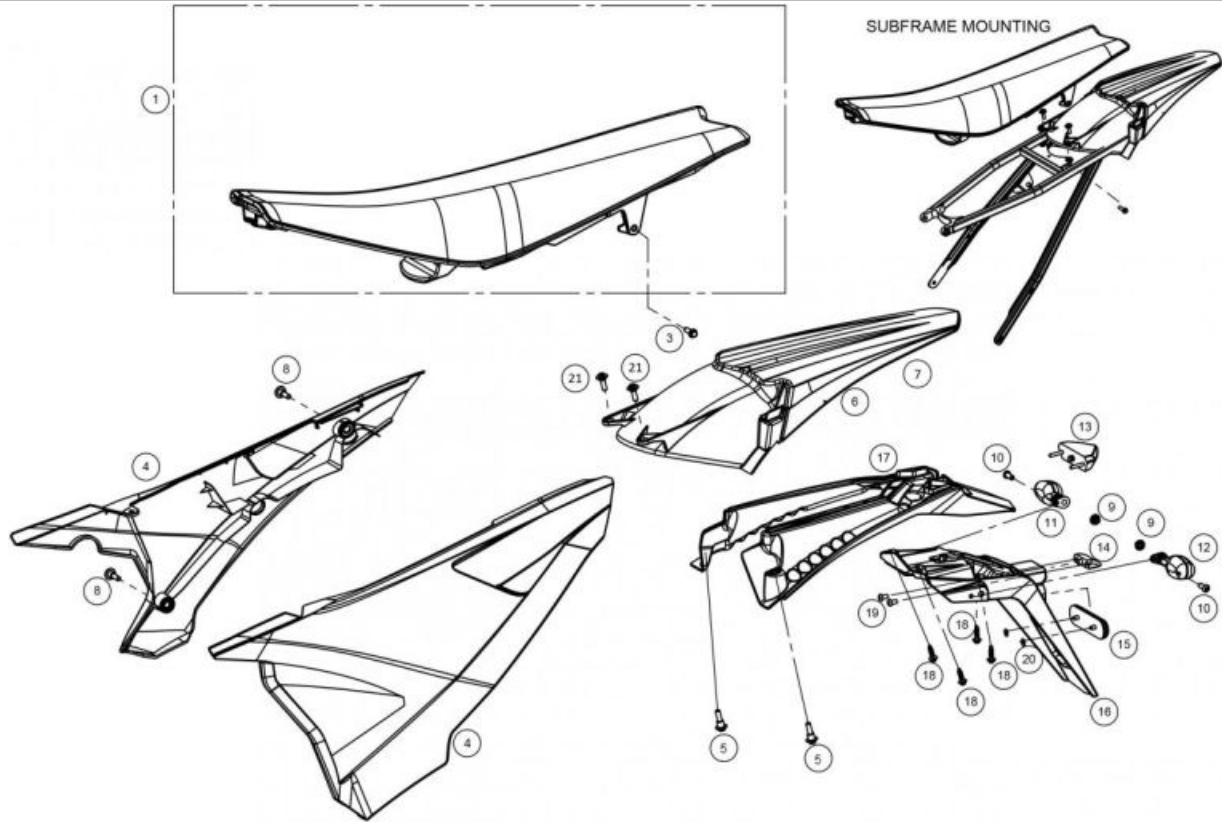
## TANK



- |    |  |
|----|--|
| 1  | <ul style="list-style-type: none"> <li>TANK COMBUSTIBLE EUROPA (XPE) ENDURO 2018</li> <li>0/000.030.9100 (u. 1)</li> </ul>           |
| 2  | <ul style="list-style-type: none"> <li>WHITE KIT COVER RADIATOR ECRANGER 2019 STICKERS IN</li> <li>BE92000CT-CTR-1 (u. 1)</li> </ul> |
| 4  | <ul style="list-style-type: none"> <li>TORNILLO ESPECIAL ROSCA PLASTICO CABOTA HEXAGONAL</li> <li>T0806020 (u. 10)</li> </ul>        |
| 5  | <ul style="list-style-type: none"> <li>HEX BOLT WASHER 6x14 (Fork Brace) DIN 6921</li> <li>0/000.460.9118 (u. 1)</li> </ul>          |
| 6  | <ul style="list-style-type: none"> <li>SILENTBLOCK+WASHER TANK GASOLIN</li> <li>0/000.360.9105 (u. 1)</li> </ul>                     |
| 7  | <ul style="list-style-type: none"> <li>COCK GASOLINE ENDURO 2018</li> <li>0/000.370.9100 (u. 1)</li> </ul>                           |
| 8  | <ul style="list-style-type: none"> <li>10X25 FUEL TAP O/ERING</li> <li>B740120 (u. 1)</li> </ul>                                     |
| 9  | <ul style="list-style-type: none"> <li>SPRING CLAMP M-11.6-12.3 ZINC CR3</li> <li>0/000.680.9102 (u. 1)</li> </ul>                   |
| 10 | <ul style="list-style-type: none"> <li>TUBE GASOLINE ENDURO 2018 HOMOLOGATION</li> <li>0/000.290.9109 (u. 1)</li> </ul>              |
| 11 | <ul style="list-style-type: none"> <li>SPRING COLLAR M-12X1.5 ACERO ZN</li> <li>0/000.680.9103 (u. 1)</li> </ul>                     |
| 12 | <ul style="list-style-type: none"> <li>FUEL TANK VENT HOSE 26cm</li> <li>0/000.290.9115 (u. 1)</li> </ul>                            |
| 13 | <ul style="list-style-type: none"> <li>SET CAP GASOLINE +TUBE EC 2014</li> <li>BE76010CT-CAB-1 (u. 1)</li> </ul>                     |
| 14 | <ul style="list-style-type: none"> <li>REBOSA TANK GASOL.</li> <li>0/000.570.9102 (u. 1)</li> </ul>                                  |
| 15 | <ul style="list-style-type: none"> <li>TUBE REBOSAOF RO TANK GASOLINE ENDURO</li> <li>0/000.290.9107 (u. 1)</li> </ul>               |
| 16 | <ul style="list-style-type: none"> <li>BOLT TANK-SEAT 6x23 (EJOT ref. 05100519)</li> <li>T0806023 (u. 1)</li> </ul>                  |

<b>17</b>	● Fuel Tank Check Valve BT27836025 (u. 1)
<b>18</b>	● BOLT 6X12 0/000.460.9101 (u. 2)

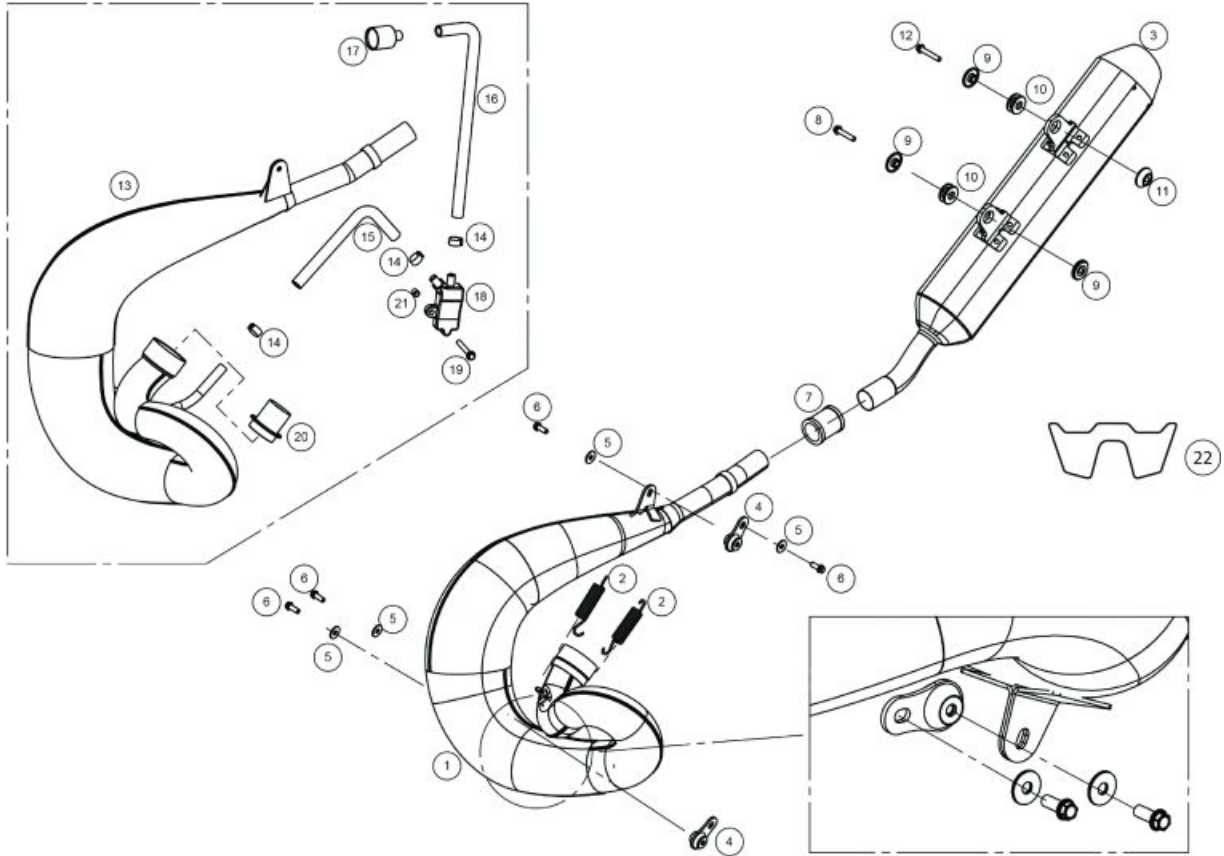
**REAR FAIRING**



	<ul style="list-style-type: none"> <li>SEAT ENDURO PAMPERA BE94000GG-CTR-1 (u. 1)</li> </ul>	
<b>1</b>	<ul style="list-style-type: none"> <li>FUNDA SILLIN ENDURO 2018 0/000.040.9107 (u. 1)</li> <li>FUNDA SILLIN ENDURO 2018 BE94025GG-CLJ-1 (u. 1)</li> </ul>	<b>OBSELETE</b>
<b>3</b>	<ul style="list-style-type: none"> <li>SPECIAL BOLT 6x25 DIN 6921 GEOMET 10.9 0/000.460.9121 (u. 1)</li> </ul>	
<b>4</b>	<ul style="list-style-type: none"> <li>SET REAR COVER WHITE MR 0/K00.570.9101 (u. 1)</li> </ul>	
<b>5</b>	<ul style="list-style-type: none"> <li>BIS 6X16 0/000.460.9163 (u. 2)</li> </ul>	
<b>6</b>	<ul style="list-style-type: none"> <li>SET REAR FENDER EC 2018 WHITE. 0/000.060.9100 (u. 1)</li> </ul>	
<b>8</b>	<ul style="list-style-type: none"> <li>BOLT ESP. 6X16 DRACOMET 0/000.460.9100 (u. 2)</li> </ul>	
<b>9</b>	<ul style="list-style-type: none"> <li>NUT WASHER 6mm DIN 6923 ZINC 8 0/000.340.9116 (u. 2)</li> </ul>	
<b>10</b>	<ul style="list-style-type: none"> <li>6X16 ULS SCREW ISO 7380-1 NEGRO 12.9 0/000.460.9156 (u. 2)</li> </ul>	
<b>11</b>	<ul style="list-style-type: none"> <li>RIGHT REAR INDICATOR 0/000.150.9102 (u. 1)</li> </ul>	
<b>12</b>	<ul style="list-style-type: none"> <li>LEFT REAR INDICATOR 0/000.150.9103 (u. 1)</li> </ul>	
<b>13</b>	<ul style="list-style-type: none"> <li>LIGHT TAIL LIGHT REAR LED 0/000.150.9105 (u. 1)</li> </ul>	
<b>14</b>	<ul style="list-style-type: none"> <li>LIGHT NUM-PLATE (HD008000) 0/000.150.9104 (u. 1)</li> </ul>	
<b>15</b>	<ul style="list-style-type: none"> <li>CATADIOPTIC 700R ENDURO 2007 0/000.630.9103 (u. 1)</li> </ul>	

<b>16</b>	<ul style="list-style-type: none"><li>● REGIST PLATE HOLOF R HOMOLOGATION 0/000.060.9102 (u. 1)</li></ul>
<b>17</b>	<ul style="list-style-type: none"><li>● REGIST PLATE HOLOF R SHORT EC 2018 0/000.060.9101 (u. 1)</li></ul>
<b>18</b>	<ul style="list-style-type: none"><li>● TORNILLO ESPECIAL ROSCA PLASTICO CABOTA HEXAGONAL T0806020 (u. 4)</li></ul>
<b>19</b>	<ul style="list-style-type: none"><li>● ULS TORX WITH ARAND.4X08 ISO 7380-2 INOX A2 0/000.460.9158 (u. 2)</li></ul>
<b>20</b>	<ul style="list-style-type: none"><li>● STAPLE 02110396 SRRM-5 0/000.440.9102 (u. 2)</li></ul>
<b>21</b>	<ul style="list-style-type: none"><li>● BOLT 6X12 0/000.460.9101 (u. 2)</li></ul>

**EXHAUST SYSTEM**

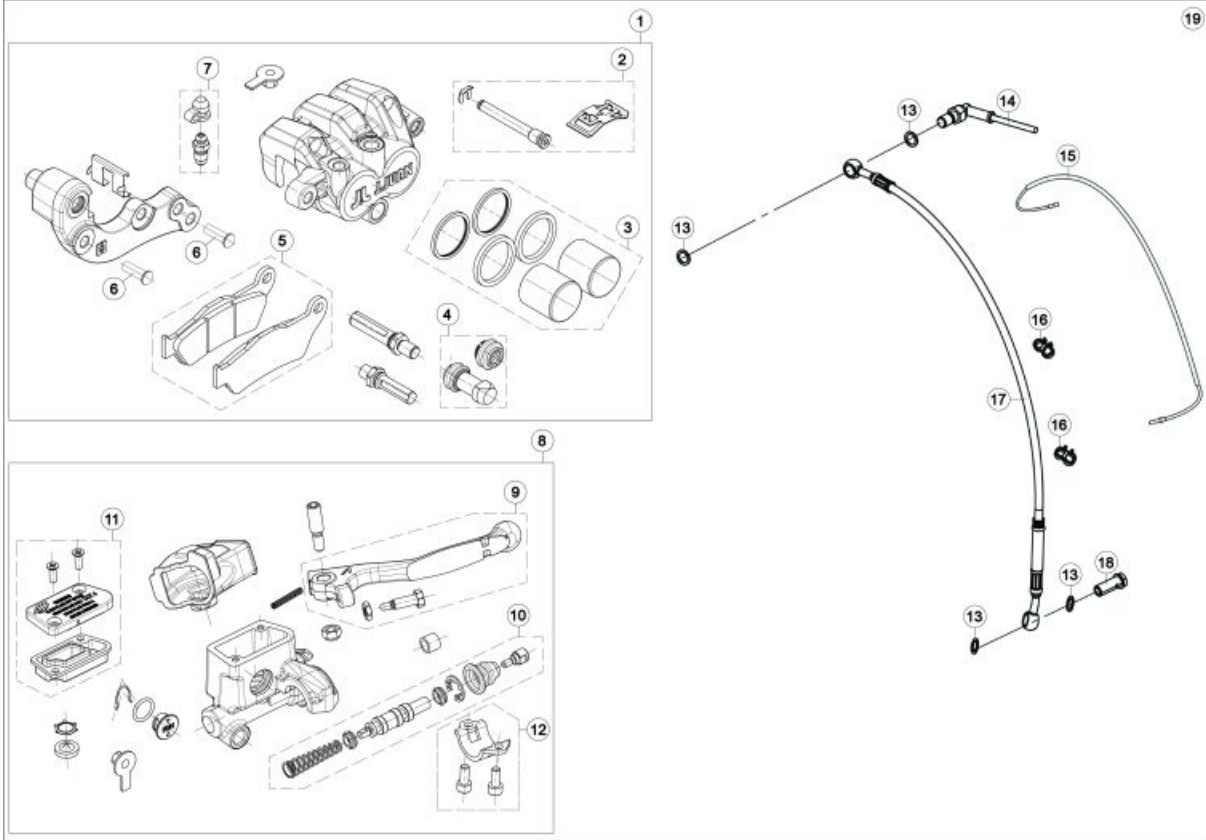


- |    |  |
|----|--|
| 1  | <ul style="list-style-type: none"> <li>EXHAUST ECRANGER</li> <li>0/000.290.9102 (u. 1)</li> </ul>  |
| 2  | <ul style="list-style-type: none"> <li>SPRING EXHAUST EC</li> <li>0/000.470.9106 (u. 2)</li> </ul>   |
| 3  | <ul style="list-style-type: none"> <li>FINAL SILENCE ECRANGER</li> <li>0/000.870.9100 (u. 1)</li> </ul>  |
| 4  | <ul style="list-style-type: none"> <li>SILENBLOCK EXHAUST ENDURO</li> <li>0/000.360.9107 (u. 2)</li> </ul>   |
| 5  | <ul style="list-style-type: none"> <li>WASHER 6x18x1.5 ZINC</li> <li>0/000.440.9126 (u. 4)</li> </ul>  |
| 6  | <ul style="list-style-type: none"> <li>6x16 HEX HEAD WASHER DIN 6921 ZINC.10.9</li> <li>0/000.460.9119 (u. 4)</li> </ul>   |
| 7  | <ul style="list-style-type: none"> <li>EXHAUST RUBBER GASKET</li> <li>0/000.490.9103 (u. 1)</li> </ul>   |
| 8  | <ul style="list-style-type: none"> <li>ALLEN BOLT 6x30 DIN 6921 GEOMET</li> <li>0/000.460.9123 (u. 1)</li> </ul>   |
| 9  | <ul style="list-style-type: none"> <li>BUSH SILENCER SHORT EC 2018</li> <li>0/000.480.9115 (u. 3)</li> </ul>   |
| 10 | <ul style="list-style-type: none"> <li>SILENBLOCK MUFFLER EC 2018</li> <li>0/000.360.9108 (u. 2)</li> </ul>  |
| 11 | <ul style="list-style-type: none"> <li>BUSH SILENCER LONG ENDURO 2018</li> <li>0/000.480.9114 (u. 1)</li> </ul>  |
| 12 | <ul style="list-style-type: none"> <li>SPECIAL BOLT 6X35 DIN 6921 GEOMET</li> <li>0/000.460.9124 (u. 1)</li> </ul>   |
| 13 | <ul style="list-style-type: none"> <li>HOMOLOGATE EXHAUST ECRANGER</li> <li>BE86000GG-CTR-1 (u. 1)</li> <li>EXHAUST EC 2018 HOMOLOGATION</li> <li>0/000.290.9113 (u. 1)</li> </ul> |

14	<ul style="list-style-type: none"> <li>CLAMP D.15/8 W4 INOX A2 0/000.680.9106 (u. 3)</li> </ul>
15	<ul style="list-style-type: none"> <li>VALVE TO FILTER RUBBER TUBE 0/000.290.9110 (u. 1)</li> </ul>
16	<ul style="list-style-type: none"> <li>EXHAUST TO VALVE RUBBER TUBE 0/000.290.9111 (u. 1)</li> </ul>
17	<ul style="list-style-type: none"> <li>SECONDARY AIR FILTER BT280626059 (u. 1)</li> </ul>
18	<ul style="list-style-type: none"> <li>AIS VALVE 0/000.640.9100 (u. 1)</li> </ul>
19	<ul style="list-style-type: none"> <li>HEAD SCREW 6x60 DELTA PROTEK 10.9 0/000.460.9128 (u. 1)</li> </ul>
20	<ul style="list-style-type: none"> <li>CATALIZER EC250-2002 0/001.600.9100 (u. 1)</li> </ul>
21	<ul style="list-style-type: none"> <li>LOAD LIMITER BUSH 0/000.980.9112 (u. 1)</li> </ul>
22	<ul style="list-style-type: none"> <li>ADH. SILENCIOSO FMF ECRANGER GASGAS BE87010GG-CTR-1 (u. 1)</li> </ul>

**OBSOLETE**

**FRONT BRAKE**

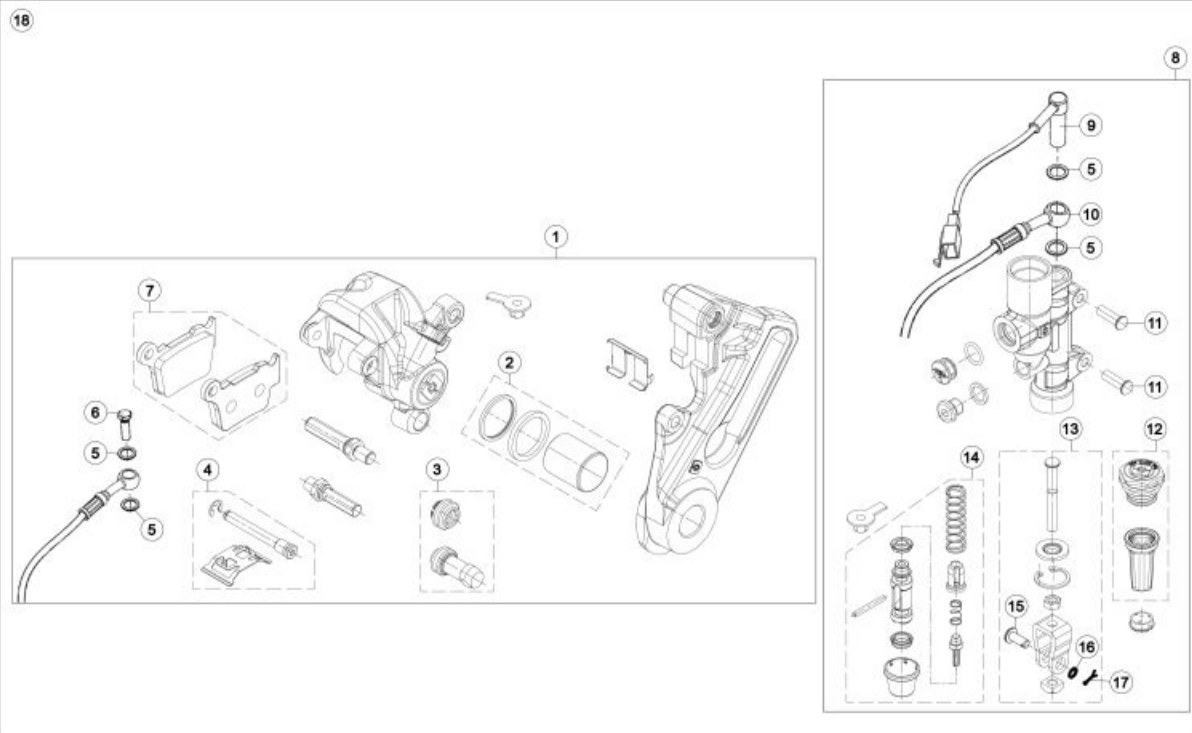


1	<ul style="list-style-type: none"> <li>● FRONT CALIPER SET BE62000GG-CTR-1 (u. 1)</li> </ul>	
2	<ul style="list-style-type: none"> <li>● FRONT BRAKE PAD PIN ECRANGER BE62020GG-CTR-1 (u. 1)</li> </ul>	
3	<ul style="list-style-type: none"> <li>● REAR CALIPER PISTON BE67560GG-CTR-1 (u. 1)</li> </ul>	
4	<ul style="list-style-type: none"> <li>● KIT GUARDAPOLVO PINZA FRENO DEL. ECRANGER BE62030GG-CTR-1 (u. 1)</li> <li>● RANGER BRAKE CALIPER DUST GUARD ASSEMBLY BE67580GG-CTR-1 (u. 1)</li> </ul>	<b>OBSOLETE</b>
5	<ul style="list-style-type: none"> <li>● FRONT BRAKE PADS ECRANGER BE62500GG-CTR-1 (u. 1)</li> </ul>	
6	<ul style="list-style-type: none"> <li>● SCREW SPECIAL 8X30 GEOMET 10.9 0/000.460.9138 (u. 2)</li> </ul>	
7	<ul style="list-style-type: none"> <li>● FRONT BRAKE CALIPER BLEEDER KIT. ECRANGER BE62040GG-CTR-1 (u. 1)</li> </ul>	
8	<ul style="list-style-type: none"> <li>● FRONT BREAK PUMP ECRANGER BE61000CT-CTR-1 (u. 1)</li> </ul>	
9	<ul style="list-style-type: none"> <li>● FRONT BRAKE LEVER ECRANGER BE61300GG-CTR-1 (u. 1)</li> </ul>	
10	<ul style="list-style-type: none"> <li>● SET FRONT BRAKE PUMP REPAIR ECRANGER BE61405GG-CTR-1 (u. 1)</li> </ul>	
11	<ul style="list-style-type: none"> <li>● SET ECRANGER COVER REPAIR BE61010GG-CTR-1 (u. 1)</li> </ul>	
12	<ul style="list-style-type: none"> <li>● ECRANGE HANDLEBAR BRACKET SUPPORT BE61350GG-CTR-1 (u. 1)</li> </ul>	
13	<ul style="list-style-type: none"> <li>● HOSE WASHER 10X4X1 BE25622007 (u. 4)</li> </ul>	
14	<ul style="list-style-type: none"> <li>● SWITCH STOP 0/000.720.9104 (u. 1)</li> </ul>	



<b>15</b>	<ul style="list-style-type: none"><li>● TT MULTIFUNCTION HOSE 0/001.010.9100 (u. 1)</li></ul>
<b>16</b>	<ul style="list-style-type: none"><li>● SPEEDO CABLE HOLDER CLIP 2008 0/000.630.9104 (u. 2)</li></ul>
<b>17</b>	<ul style="list-style-type: none"><li>● FRONT BRAKE HOSE ECRANGER BE61100GG-CTR-1 (u. 1)</li></ul>
<b>18</b>	<ul style="list-style-type: none"><li>● HOSE HOLDER RACORD 10X125 BC25722006 (u. 1)</li></ul>
<b>19</b>	<ul style="list-style-type: none"><li>● SET FRONT BRAKE ECRANGER 0/000.820.9102 (u. 1)</li></ul>

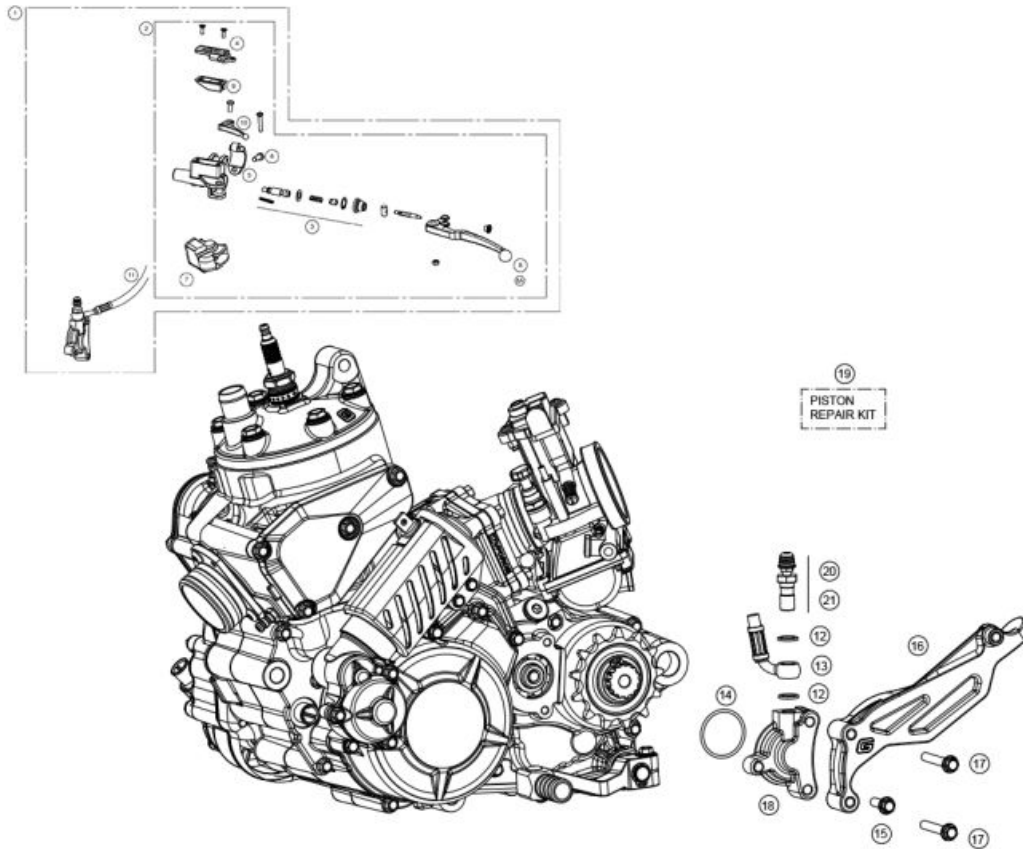
**REAR BRAKE**



1	<ul style="list-style-type: none"> <li>REAR CALIPER SET BE67000GG-CTR-1 (u. 1)</li> </ul>
2	<ul style="list-style-type: none"> <li>REAR BRAKE CALIPER REPAIR KIT BE67120GG-CTR-1 (u. 1)</li> </ul>
3	<ul style="list-style-type: none"> <li>RANGER BRAKE CALIPER DUST GUARD ASSEMBLY BE67580GG-CTR-1 (u. 1)</li> </ul>
4	<ul style="list-style-type: none"> <li>REAR BRAKE PAD PIN ECRANGER BE67495GG-CTR-1 (u. 1)</li> </ul>
5	<ul style="list-style-type: none"> <li>HOSE WASHER 10X4X1 BE25622007 (u. 4)</li> </ul>
6	<ul style="list-style-type: none"> <li>HOSE HOLDER RACORD 10X125 BC25722006 (u. 1)</li> </ul>
7	<ul style="list-style-type: none"> <li>REAR BRAKE PADS ECRANGER BE67500GG-CTR-1 (u. 1)</li> </ul>
8	<ul style="list-style-type: none"> <li>REAR BRAKE PUMP ECRANGER BE66000CT-CTR-1 (u. 1)</li> </ul>
9	<ul style="list-style-type: none"> <li>SWITCH STOP 0/000.720.9104 (u. 1)</li> </ul>
10	<ul style="list-style-type: none"> <li>REAR BRAKE HOSE ECRANGER BE66100GG-CTR-1 (u. 1)</li> </ul>
11	<ul style="list-style-type: none"> <li>6x16 HEX HEAD WASHER DIN 6921 ZINC.10.9 0/000.460.9119 (u. 2)</li> </ul>
12	<ul style="list-style-type: none"> <li>REPAIR KIT REAR BRAKE PUMP COVER BE66005GG-CTR-1 (u. 1)</li> </ul>
13	<ul style="list-style-type: none"> <li>REAR BRAKE LINK ECRANGER BE66050GG-CTR-1 (u. 1)</li> </ul>
14	<ul style="list-style-type: none"> <li>REAR BRAKE PISTON PISTON KIT BE66025GG-CTR-1 (u. 1)</li> </ul>
15	<ul style="list-style-type: none"> <li>BRAKE PEDAL PIN 8X20 0/000.840.9101 (u. 1)</li> </ul>
16	<ul style="list-style-type: none"> <li>REAR CHASSIS ATTACHMENT WASHER 0/000.440.0160 (u. 1)</li> </ul>

<b>17</b>	● 2X20 BRAKE PEDAL PIN STOPPER 0/000.840.9102 (u. 1)
<b>18</b>	● SET REAR BRAKE ECRANGER 0/000.820.9103 (u. 1)

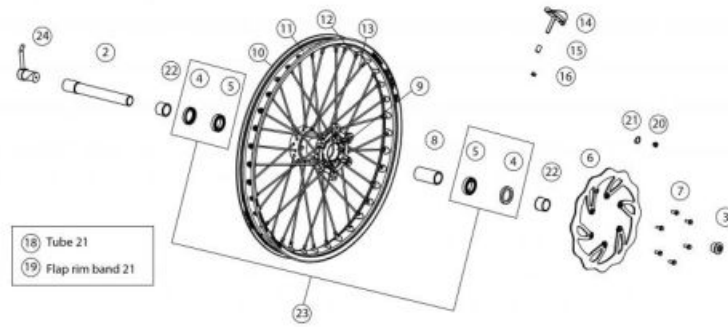
## CLUTCH CONTROL



- |    |  |
|----|--|
| 1  | <ul style="list-style-type: none"> <li>COMPLETE MAGURA CLUTCH PUMP, 9.5 (167)<br/>0/000.830.9101 (u. 1)</li> </ul> |
| 2  | <ul style="list-style-type: none"> <li>CLUTCH PUMP MAGURA 9,5 (167) 0020747<br/>BE45000013011 (u. 1)</li> </ul>    |
| 3  | <ul style="list-style-type: none"> <li>PISTON KIT, 9.5mm (0723184)<br/>BE45000043011 (u. 1)</li> </ul>             |
| 4  | <ul style="list-style-type: none"> <li>COVER OIL MINERAL (0723164)<br/>BE45000053011 (u. 1)</li> </ul>             |
| 5  | <ul style="list-style-type: none"> <li>CLAMP, HOLDER<br/>BE45000063011 (u. 1)</li> </ul>                           |
| 6  | <ul style="list-style-type: none"> <li>BOLT 6x20 DIN 6921 GEOMET 10.9<br/>0/000.460.9120 (u. 1)</li> </ul>         |
| 7  | <ul style="list-style-type: none"> <li>DUST SHIELD<br/>BE45000093011 (u. 1)</li> </ul>                             |
| 8A | <ul style="list-style-type: none"> <li>LONG CLUTCH LEVER<br/>BE45000033011 (u. 1)</li> </ul>                       |
| 8  | <ul style="list-style-type: none"> <li>LEVER CORTA CLUTCH(0723121)<br/>BE45000023011 (u. 1)</li> </ul>             |
| 9  | <ul style="list-style-type: none"> <li>MEMBRANAPÀSITO (0723162)<br/>BE45000103011 (u. 1)</li> </ul>                |
| 10 | <ul style="list-style-type: none"> <li>CHOKE LEVER<br/>BE45000073011 (u. 1)</li> </ul>                             |
| 11 | <ul style="list-style-type: none"> <li>CLUTCH HOSE<br/>BE250522003 (u. 1)</li> </ul>                               |
| 12 | <ul style="list-style-type: none"> <li>HOSE WASHER 10X4X1<br/>BE25622007 (u. 2)</li> </ul>                         |
| 13 | <ul style="list-style-type: none"> <li>CLUTCH HOSE<br/>BE250522003 (u. 1)</li> </ul>                               |

14	<ul style="list-style-type: none"> <li>CLUTCH PUMP O/RING ME25632024 (u. 1)</li> </ul>	
15	<ul style="list-style-type: none"> <li>BOLT 6x20 DIN 6921 GEOMET 10.9 0/000.460.9120 (u. 1)</li> </ul>	
16	<ul style="list-style-type: none"> <li>CHAIN SLIDER KIT 3 COMP. BE43015CT-CLJ-1 (u. 1)</li> </ul>	
17	<ul style="list-style-type: none"> <li>HEAD SCREW 6x50 DIN 6921 GEOMET 10.9 0/000.460.9126 (u. 2)</li> </ul>	
18	<ul style="list-style-type: none"> <li>BOMBIN EMBRAGUE ME250632026 (u. 1)</li> </ul>	<b>OBSOLETE</b>
19	<ul style="list-style-type: none"> <li>BOMBIN EMBRAGUE ME250632026 (u. 1)</li> </ul>	<b>OBSOLETE</b>
20	<ul style="list-style-type: none"> <li>Bleeder Cap BT27922055 (u. 1)</li> </ul>	
21	<ul style="list-style-type: none"> <li>Bleeder, Pro Rear Brake Caliper BE25622060 (u. 1)</li> </ul>	

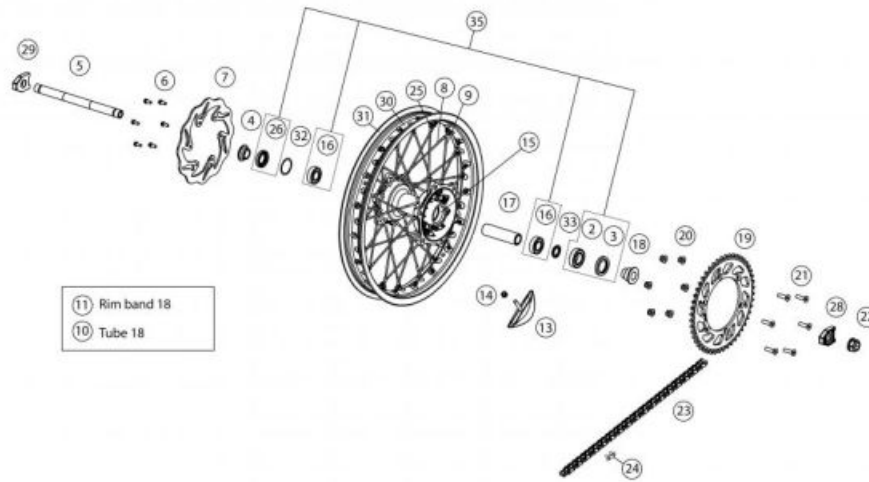
**FRONT WHEEL**



2	<ul style="list-style-type: none"> <li>FRONT WHEEL AXLE EC 2011 20.8CM 0/000.190.9102 (u. 1)</li> </ul>	
3	<ul style="list-style-type: none"> <li>FRONT WHEEL AXIS BOLT 0/000.340.9100 (u. 1)</li> </ul>	
4	<ul style="list-style-type: none"> <li>FRONT WHEEL GASKET BE250418057 (u. 2)</li> </ul>	
5	<ul style="list-style-type: none"> <li>Front Wheel Bearing 04 Pro ME120136055 (u. 2)</li> </ul>	
6	<ul style="list-style-type: none"> <li>DISC BRAKE FRONT ENDURO 2018 260mm 0/001.090.9105 (u. 1)</li> </ul>	<b>OBSOLETE</b>
	<ul style="list-style-type: none"> <li>FRONT BRAKE DISCK MR 260mm 0/001.090.9107 (u. 1)</li> </ul>	
7	<ul style="list-style-type: none"> <li>SREWC WASHERr 6x14 (Fork Brace) 0/000.460.9142 (u. 6)</li> </ul>	
8	<ul style="list-style-type: none"> <li>SPACER BE250418058 (u. 1)</li> </ul>	
9	<ul style="list-style-type: none"> <li>FRONT WHEEL HUB BE54110GG-CAB-1 (u. 1)</li> </ul>	
10	<ul style="list-style-type: none"> <li>FRONT BLACK RIM 21x1.60 0/000.230.9101 (u. 1)</li> </ul>	
11	<ul style="list-style-type: none"> <li>SET RIM FRONT SPOKES-MOUNTED EC 2018 0/000.110.9100 (u. 1)</li> </ul>	
12	<ul style="list-style-type: none"> <li>TUERCA RADIO DEL. BE542503013 (u. 36)</li> </ul>	
13	<ul style="list-style-type: none"> <li>RADIO DEL.EC-2013 BE542003013 (u. 36)</li> </ul>	
14	<ul style="list-style-type: none"> <li>FRONT TIRE HOLDER 1.6x21 0/000.220.9114 (u. 1)</li> </ul>	

<b>15</b>	<ul style="list-style-type: none"> <li>FR. TIRE HOLDING BUSHING EC-2010 8X12X12 0/000.480.9112 (u. 1)</li> </ul>
<b>16</b>	<ul style="list-style-type: none"> <li>AUTOLOCK NUT 8MM DIN 985 ZINC 0/000.340.9114 (u. 1)</li> </ul>
<b>18</b>	<ul style="list-style-type: none"> <li>CAMARA DELANTERA 21MDR VALVE TR4 833092 0/000.520.9100 (u. 1)</li> </ul>
<b>19</b>	<ul style="list-style-type: none"> <li>PROT.BANDA DEL.FLAP 1.60/1.85 X 21(1400X25) 949947 0/000.220.9108 (u. 1)</li> </ul>
<b>20</b>	<ul style="list-style-type: none"> <li>MAGNET EC 2010 0/001.010.9101 (u. 1)</li> </ul>
<b>21</b>	<ul style="list-style-type: none"> <li>SEGEER A 9 DIN 471 BRACKET MAGNET EC 2010 0/000.300.9100 (u. 1)</li> </ul>
<b>22</b>	<ul style="list-style-type: none"> <li>FRONT WHEEL SPACER 0/000.480.9100 (u. 1)</li> </ul>
<b>23</b>	<ul style="list-style-type: none"> <li>SET BEARINGS AND SEALS FRONT WHEEL EC BE51000CT2510 (u. 1)</li> </ul>
<b>24</b>	<ul style="list-style-type: none"> <li>FRONT AXLE HANDLE. EC 0/000.980.9123 (u. 1)</li> </ul>

**REAR WHEEL**

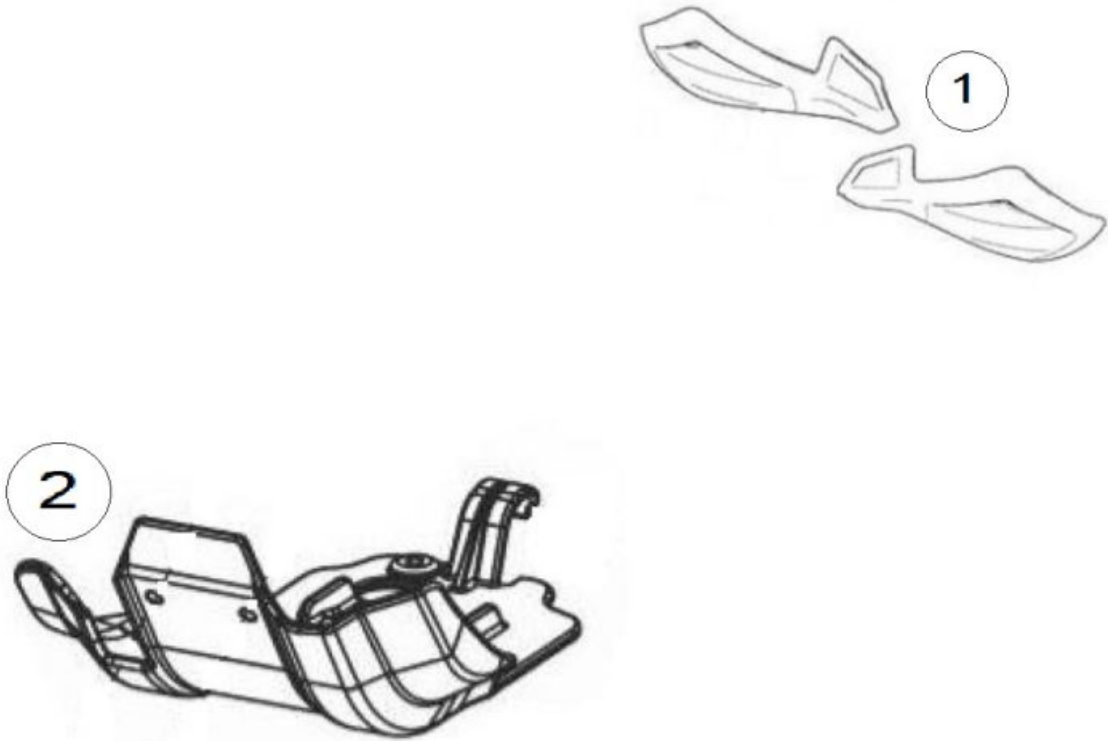


2	<ul style="list-style-type: none"> <li>● WHEEL BEARING BE250318054 (u. 1)</li> </ul>	
3	<ul style="list-style-type: none"> <li>● REAR WHEEL SEAL BE250318055 (u. 1)</li> </ul>	
4	<ul style="list-style-type: none"> <li>● SHORT REAR WHEEL SPACER 0/000.480.9104 (u. 1)</li> </ul>	
5	<ul style="list-style-type: none"> <li>● AXLE WHEEL REAR EC 2018 0/000.190.9103 (u. 1)</li> </ul>	
6	<ul style="list-style-type: none"> <li>● HEX BOLT WASHER 6x14 (Fork Brace) DIN 6921 0/000.460.9118 (u. 6)</li> </ul>	
7	<ul style="list-style-type: none"> <li>● REAR BRAKE DISC FLOR EC 2010 0/001.090.9102 (u. 1)</li> </ul>	<b>OBSELETE</b>
	<ul style="list-style-type: none"> <li>● REAR BRAKE DISC MR 220mm 0/001.090.9108 (u. 1)</li> </ul>	
8	<ul style="list-style-type: none"> <li>● RADIO 192x4,5 LADO BRAKE 18" BE59200GG-CLJ-1 (u. 18)</li> </ul>	
9	<ul style="list-style-type: none"> <li>● RADIO 188X4.5 LADO CROWN 18" BE59210GG-CLJ-1 (u. 18)</li> </ul>	
11	<ul style="list-style-type: none"> <li>● PROT.BANDA TRASERO 1.60/2.00 X 18/19 (1300X25) 656 0/000.220.9110 (u. 1)</li> </ul>	
13	<ul style="list-style-type: none"> <li>● REAR TYRE HOLDER 2.15x18 0/000.220.9115 (u. 1)</li> </ul>	
14	<ul style="list-style-type: none"> <li>● AUTOLOCK NUT 8MM DIN 985 ZINC 0/000.340.9114 (u. 1)</li> </ul>	
15	<ul style="list-style-type: none"> <li>● REAR WHEEL HUB EC 2018 BE59100GG-CLJ-1 (u. 1)</li> </ul>	
16	<ul style="list-style-type: none"> <li>● Wheel Bearing 60042RS C160001 (u. 2)</li> </ul>	



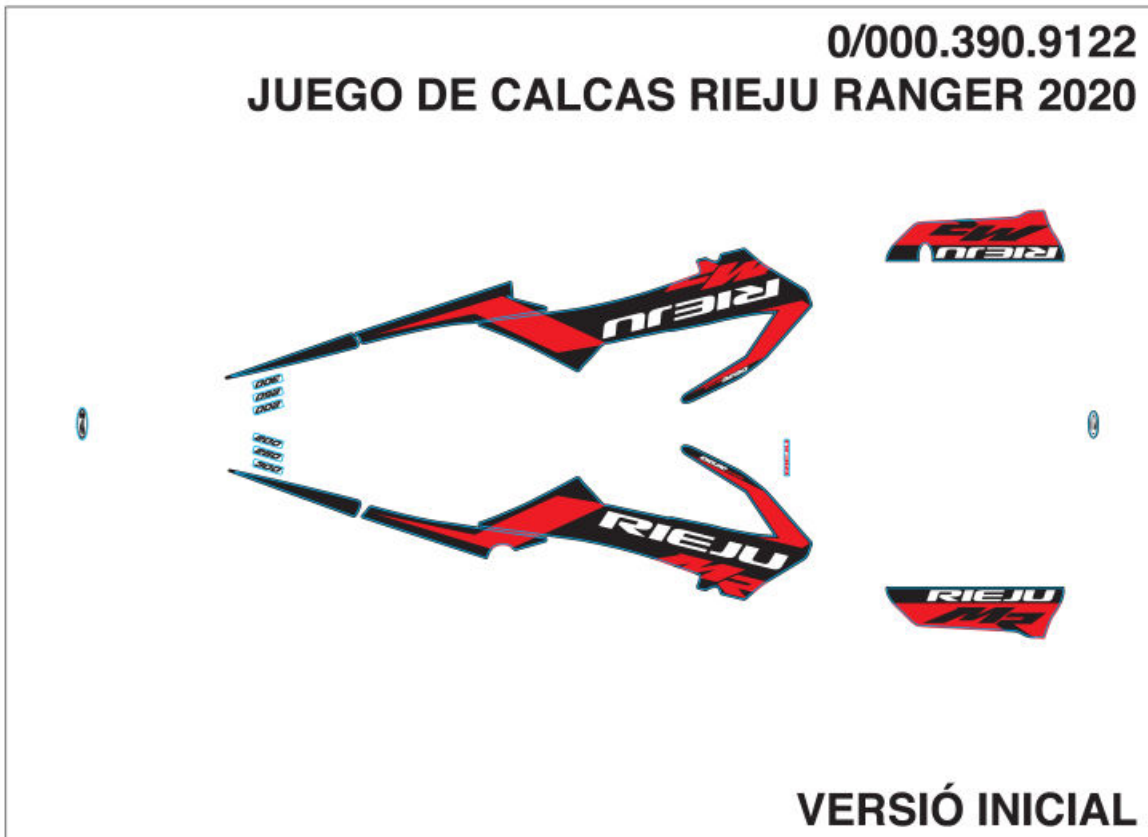
17	<ul style="list-style-type: none"> <li>DISTANCING INTER. REAR ENDURO 2018 BE59105GG-CLJ-1 (u. 1)</li> </ul>
18	<ul style="list-style-type: none"> <li>BUSH WHEEL REAR LEFT. ENDURO 2018 0/000.480.9113 (u. 1)</li> </ul>
19	<ul style="list-style-type: none"> <li>SPROCKET, Z50 EC 2014 COLOR TITANIUM 0/000.500.9102 (u. 1)</li> </ul>
	<ul style="list-style-type: none"> <li>PLATE Z 48 0/000.500.9101 (u. 1)</li> </ul>
	<ul style="list-style-type: none"> <li>Z49 SPROCKET 0/000.500.9100 (u. 1)</li> </ul>
20	<ul style="list-style-type: none"> <li>NUT 8mm NYLOCK + WASHER ZINC 0/000.340.9119 (u. 6)</li> </ul>
21	<ul style="list-style-type: none"> <li>ALLEN BOLT 8x30 DIN 7991 ZINC 12.9 0/000.460.9153 (u. 6)</li> </ul>
22	<ul style="list-style-type: none"> <li>REAR NUT WHEEL. ENDURO 2018 0/000.340.9104 (u. 1)</li> </ul>
23	<ul style="list-style-type: none"> <li>CHAIN 520 X-RING PACKAGED 112 STEPS 0/001.050.9100 (u. 1)</li> </ul>
24	<ul style="list-style-type: none"> <li>ENGANCHE CADENA 520 X-RING 0/001.050.9110 (u. 1)</li> </ul>
25	<ul style="list-style-type: none"> <li>REAR SPOKE NUT BE592153013 (u. 36)</li> </ul>
26	<ul style="list-style-type: none"> <li>FRONT WHEEL GASKET C160710 (u. 1)</li> </ul>
28	<ul style="list-style-type: none"> <li>CHAIN ADJUSTER BLOCK BLIND ENDURO 2018 0/000.380.9100 (u. 1)</li> </ul>
29	<ul style="list-style-type: none"> <li>CHAIN ADJUSTER BLOCK ENDURO 2018 0/000.380.9101 (u. 1)</li> </ul>
30	<ul style="list-style-type: none"> <li>SET RIM REAR SPOKES-MOUNTED EC 2018 0/000.120.9100 (u. 1)</li> </ul>
31	<ul style="list-style-type: none"> <li>REAR BLACK RIM 18 X 2.15 0/000.230.9103 (u. 1)</li> </ul>
32	<ul style="list-style-type: none"> <li>SEEGER RING D42 BE25618038 (u. 1)</li> </ul>
33	<ul style="list-style-type: none"> <li>INTERIOR HUB WASHER BE250318056 (u. 1)</li> </ul>
35	<ul style="list-style-type: none"> <li>SET BEARINGS AND SEALS REAR WHEEL EC BE56000CT2510 (u. 1)</li> </ul>

ACCESSORIES



- 2 ● KIT PROTECTOR CRANKCASE  
0/R00.220.9100 (u. 1)

STICKERS



1

- STICKERS SET RIEJU RANGER 2020  
0/000.390.9122 (u. 1)

ACCESSORIES



10 T-SHIRT HARD OFF ROAD 2021 S. M  
0/000.001.0271 (u. 1)

CAMISA HARD OFF ROAD 2021 TALLA S  
0/000.001.0270 (u. 1)

10 T-SHIRT HARD OFF ROAD 2021 S.XL  
0/000.001.0273 (u. 1)

T-SHIRT HARD OFF ROAD 2021 S.L  
0/000.001.0272 (u. 1)

T-SHIRT HARD OFF ROAD 2021 S.XXL  
0/000.001.0274 (u. 1)

20 PANTS HARD OFF ROAD 2021 S.M  
0/000.001.0276 (u. 1)

PANTALON HARD OFF ROAD 2021 TALLA S  
0/000.001.0275 (u. 1)

20 PANTS HARD OFF ROAD 2021 S.XL  
0/000.001.0278 (u. 1)

PANTS HARD OFF ROAD 2021 S.L  
0/000.001.0277 (u. 1)

PANTS HARD OFF ROAD 2021 S.XXL  
0/000.001.0279 (u. 1)

30 GLOVES HARD OFF ROAD 2021 XXL  
0/000.001.0284 (u. 1)

GLOVES HARD OFF ROAD 2021 S  
0/000.001.0280 (u. 1)

30 GLOVES HARD OFF ROAD 2021 XL  
0/000.001.0283 (u. 1)

GUANTES HARD OFF ROAD 2021 TALLA M  
0/000.001.0281 (u. 1)

OBSOLETE

GLOVES HARD OFF ROAD 2021 S.L  
0/000.001.0282 (u. 1)

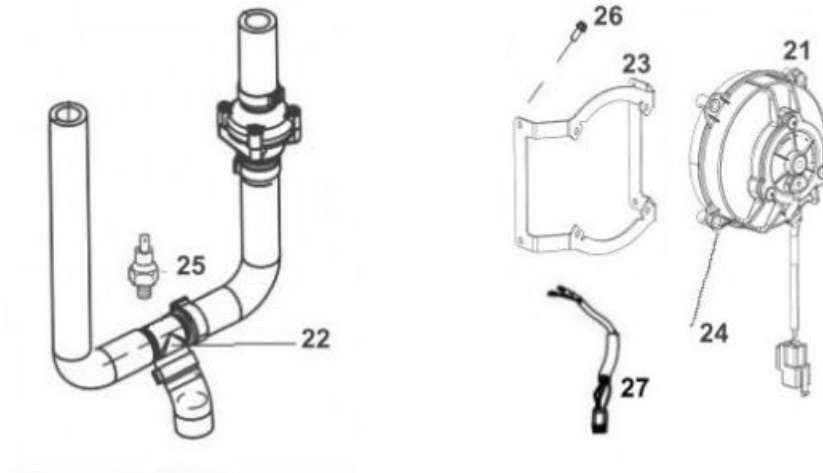
OBSOLETE

40

- EC KIT CONVERT IN XC  
BE99996CT-CMV-1 (u. 1)

**ELECTRIC FAN**

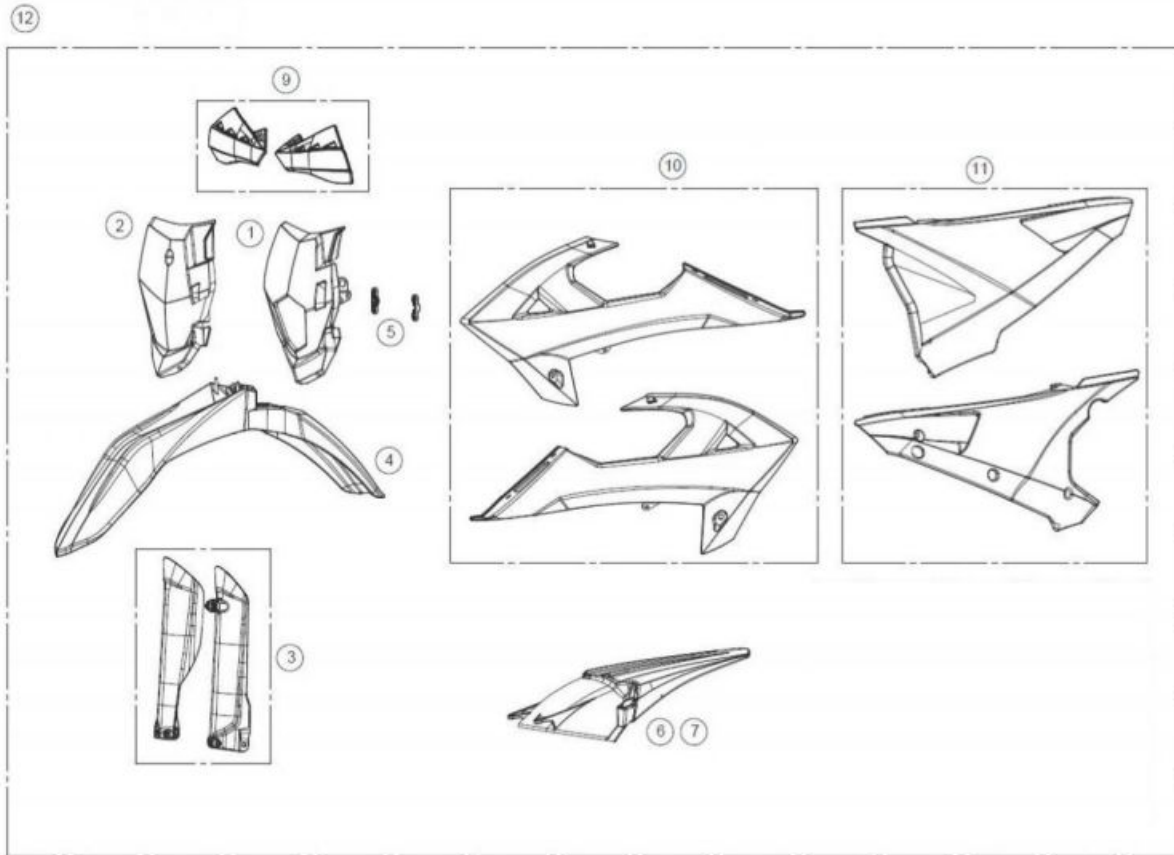
**28 = 21, 22, 23, 24,  
25, 26, 27**



21	<ul style="list-style-type: none"> <li>ELECTRIC FAN 0/005.060.9100 (u. 1)</li> </ul>
22	<ul style="list-style-type: none"> <li>T TYPE CONNECTOR MR RADIATOR 0/000.290.9119 (u. 1)</li> </ul>
23	<ul style="list-style-type: none"> <li>FAN SUPPORT 0/000.980.9124 (u. 1)</li> </ul>
24	<ul style="list-style-type: none"> <li>SCREW 5X12 0/000.460.0090 (u. 4)</li> </ul>
25	<ul style="list-style-type: none"> <li>TEMPERATURE SENSOR 0/001.010.9102 (u. 1)</li> </ul>
26	<ul style="list-style-type: none"> <li>RIVET DIN 7337 / B 4.8x10 L / BLACK 0/000.330.0053 (u. 4)</li> </ul>
	<ul style="list-style-type: none"> <li>REMACHE DIN 7337/A 5x10 0/000.330.0052 (u. 4)</li> </ul>
27	<ul style="list-style-type: none"> <li>ELECTRICAL FAN 0/000.160.9111 (u. 1)</li> </ul>
28	<ul style="list-style-type: none"> <li>SET MR ELECTRO + BRACKET + INSTALLATION 0/K05.060.9100 (u. 1) - Para chasis &lt; L00100 necesita 0/000.160.9112</li> </ul>

**OBSOLETE**

**PLASTICOS**

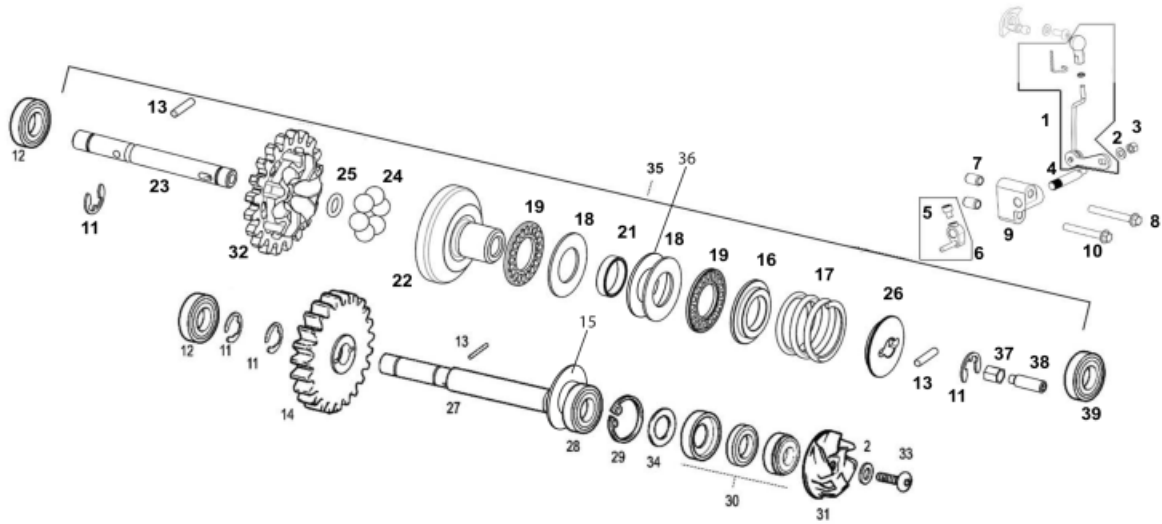


<b>1</b>	<ul style="list-style-type: none"> <li>● PORTAHEAD-LIGHTL.EC 2018 BL. 0/000.620.9100 (u. 1)</li> </ul>	
<b>2</b>	<ul style="list-style-type: none"> <li>● FRONT NUMBER-PLATE CROSS COUNTRY 2018 WHITE 0/000.570.9113 (u. 1)</li> <li>● PLACA PORTANUMEROS DELANTERA CROSS COUNTRY 2018 BLANCA BE90500GG-MXC-1 (u. 1)</li> </ul>	<b>OBSOLETE</b>
<b>3</b>	<ul style="list-style-type: none"> <li>● SET PROT.FORK MR300 BLACK 0/000.220.9118 (u. 1)</li> </ul>	
<b>4</b>	<ul style="list-style-type: none"> <li>● FRONT-FENDER MR BLACK 0/000.050.9100 (u. 1)</li> </ul>	
<b>5</b>	<ul style="list-style-type: none"> <li>● FRONT SUPPORT HEADLAMP 0/000.980.9104 (u. 2)</li> <li>● SOPORTE PORTAFARO MR NEGRO INY. 0/000.980.9127 (u. 2)</li> </ul>	
<b>6</b>	<ul style="list-style-type: none"> <li>● SET REAR FENDER EC 2018 WHITE. 0/000.060.9100 (u. 1)</li> </ul>	
<b>7</b>	<ul style="list-style-type: none"> <li>● REAR FENDER WHITE CROSS COUNTRY 0/000.060.9103 (u. 1)</li> </ul>	
<b>9</b>	<ul style="list-style-type: none"> <li>● SET HANDGUARDS ENDURO WHITE (QWEST) 0/000.770.9100 (u. 1)</li> </ul>	
<b>10</b>	<ul style="list-style-type: none"> <li>● SET FRONT COVER BLACK MR 0/K00.570.9102 (u. 1)</li> </ul>	
<b>11</b>	<ul style="list-style-type: none"> <li>● SET REAR COVER WHITE MR 0/K00.570.9101 (u. 1)</li> </ul>	
<b>12</b>	<ul style="list-style-type: none"> <li>● SET COVER MR 300 2020 0/K00.570.9103 (u. 1)</li> </ul>	

# MR RANGER 2020 - Engine

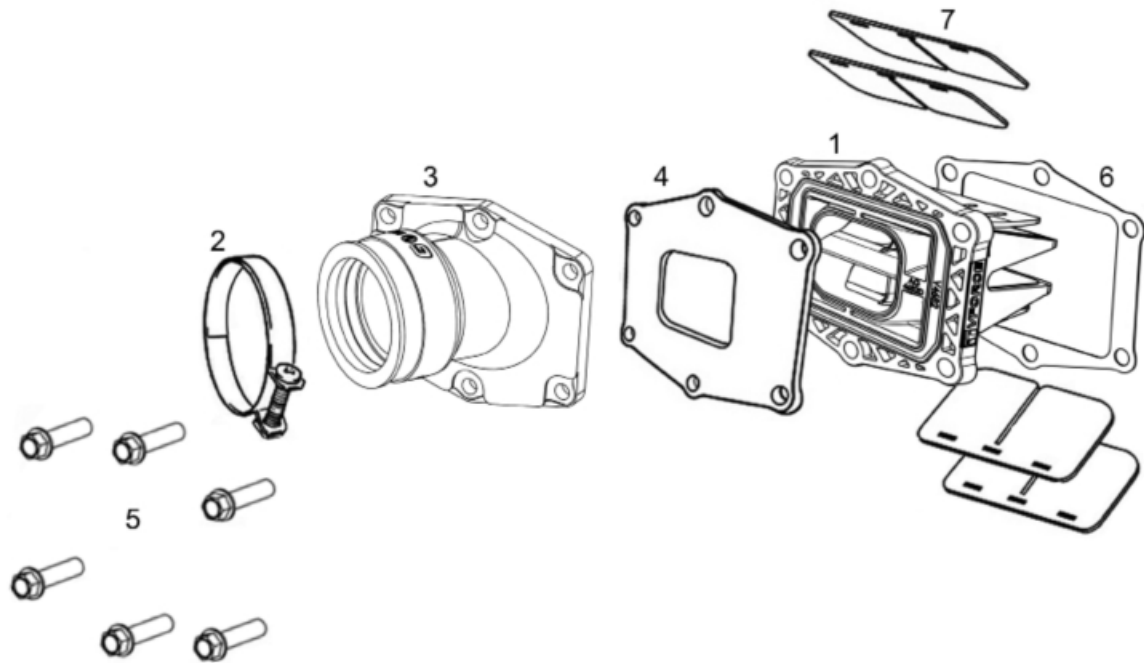


**WATER PUMP**



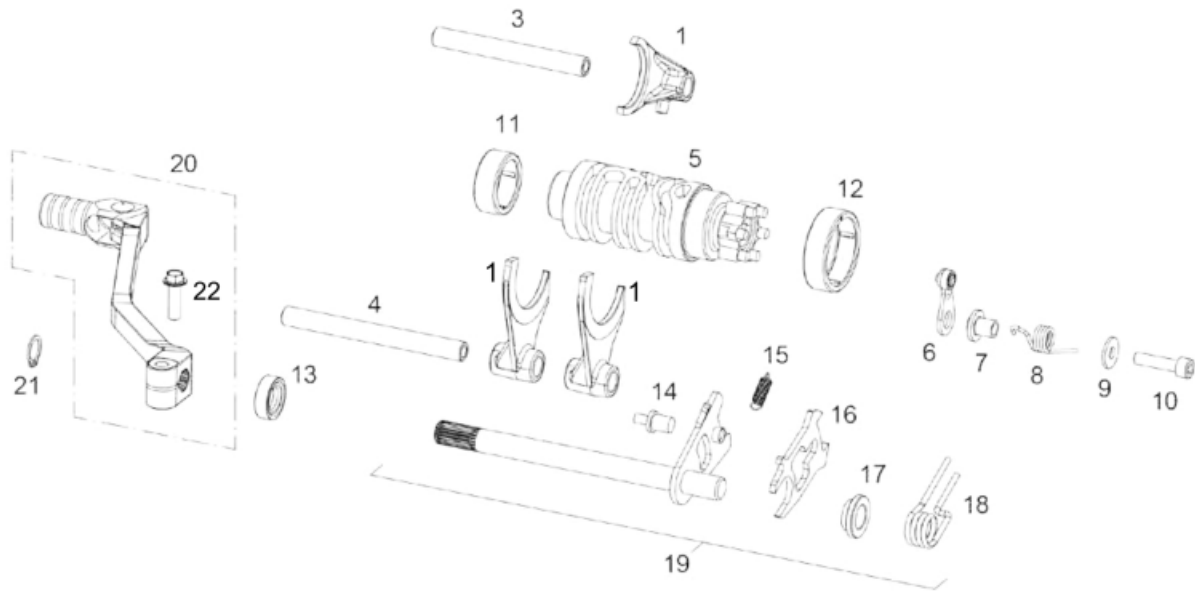
1	<ul style="list-style-type: none"> <li>● SET PUSHER VALV.EXHAUST COMPLETE EC 2015 0/000.640.9104 (u. 1)</li> </ul>	
2	<ul style="list-style-type: none"> <li>● WASHER 5x12x1.5 DIN 125A ZINC 0/000.440.9121 (u. 2)</li> </ul>	
3	<ul style="list-style-type: none"> <li>● SELFLOCKING NUT M5 DIN-985 ZINC 8 0/000.340.9112 (u. 1)</li> </ul>	
4	<ul style="list-style-type: none"> <li>● AXLE LEVER CENTRIFUGAL 0/000.190.9108 (u. 1)</li> </ul>	
6	<ul style="list-style-type: none"> <li>● SET LEVER CENTRIFUG. EC 0/005.490.9101 (u. 1)</li> </ul>	
7	<ul style="list-style-type: none"> <li>● ENGINE CASE LOCATER BUSHING 0/000.480.9119 (u. 2)</li> </ul>	
8	<ul style="list-style-type: none"> <li>● HEAD SCREW 6x60 DELTA PROTEK 10.9 0/000.460.9128 (u. 1)</li> </ul>	
9	<ul style="list-style-type: none"> <li>● BRACKET AXLE MANDO VALVE EC 2015 0/000.980.9115 (u. 1)</li> </ul>	
10	<ul style="list-style-type: none"> <li>● HEAD SCREW 6x40 GEOMET 10.9 0/000.460.9125 (u. 1)</li> </ul>	
11	<ul style="list-style-type: none"> <li>● SEEGER DIN 6799 E7 0/000.300.9103 (u. 4)</li> </ul>	
12	<ul style="list-style-type: none"> <li>● 508Z BEARING 0/000.960.9108 (u. 2)</li> </ul>	
13	<ul style="list-style-type: none"> <li>● IMPELLER WATER PUMP NEEDLE 3X14 0/000.280.9101 (u. 3)</li> </ul>	
14	<ul style="list-style-type: none"> <li>● WATER PUMP PINION 0/005.400.9111 (u. 1)</li> </ul>	
15	<ul style="list-style-type: none"> <li>● 10X19X05 WASHER 0/000.440.9113 (u. 1)</li> </ul>	
16	<ul style="list-style-type: none"> <li>● CENTRIFUGAL SPRING RETAINER ME59026GG-CDQ-1 (u. 1) - 200cc</li> </ul>	<b>OBSELETE</b>
	<ul style="list-style-type: none"> <li>● CENTRIFUGAL SPRING RETAINER ME59026GG-CEQ-1 (u. 1) - 250cc / 300cc</li> </ul>	<b>OBSELETE</b>
17	<ul style="list-style-type: none"> <li>● EXHAUST VALVE SPRING 99 ME25916026 (u. 1) - 250cc / 300cc</li> </ul>	
18	<ul style="list-style-type: none"> <li>● BEARING WASHER 0/000.440.9107 (u. 2)</li> </ul>	

19	<ul style="list-style-type: none"> <li>NEEDLES BEARING AXK 1528 0/000.960.9109 (u. 2)</li> </ul>	
21	<ul style="list-style-type: none"> <li>SPACER ME25616008 (u. 1)</li> </ul>	
22	<ul style="list-style-type: none"> <li>CLUCTH OUTER CENTRIFUGAL EC 2015 ME59030GG-CEQ-1 (u. 1)</li> </ul>	<b>OBSOLETE</b>
23	<ul style="list-style-type: none"> <li>AXLE CENTRIFUGAL EC 2015 ME59015GG-CEQ-1 (u. 1)</li> </ul>	
24	<ul style="list-style-type: none"> <li>8mm Clutch Ball Bearing 50cc ME25616033 (u. 6)</li> </ul>	
25	<ul style="list-style-type: none"> <li>6X2 OÆRING ME25616045 (u. 1)</li> </ul>	
26	<ul style="list-style-type: none"> <li>ARAMOF LA APYO SPRING EC 300 2015 ME59025GG-CEQ-1 (u. 1) - 250cc / 300cc</li> <li>ARANDELA DE APOYO MUELLE EC 200 2015 ME59025GG-CDQ-1 (u. 1) - 200cc</li> </ul>	<b>OBSOLETE</b>
27	<ul style="list-style-type: none"> <li>WATER PUMP PINION AXIS 0/000.190.9104 (u. 1)</li> </ul>	
28	<ul style="list-style-type: none"> <li>BEARING 6000 C3Z=M03313001 0/000.960.9107 (u. 1)</li> </ul>	
29	<ul style="list-style-type: none"> <li>WATER PUMP SEEGER D.26 0/000.300.9106 (u. 1)</li> </ul>	
30	<ul style="list-style-type: none"> <li>WATERPUMP SEAL 0/000.890.9104 (u. 1)</li> </ul>	
31	<ul style="list-style-type: none"> <li>WATER PUMP IMPELLER 0/005.220.9100 (u. 1)</li> </ul>	
32	<ul style="list-style-type: none"> <li>PINION CENTRIFUGAL EC 300 2015 ME59050GG-CEQ-1 (u. 1)</li> </ul>	
34	<ul style="list-style-type: none"> <li>SECONDARY WASHER WATERPUMP 25.8x17.5x0.5 0/000.440.9103 (u. 1)</li> </ul>	
35	<ul style="list-style-type: none"> <li>CENTRIFUGAL COMPLETE EC 300 2015 0/000.640.9101 (u. 1)</li> <li>CENTRIFUGAL COMPLETE EC 200 2019 0/000.640.9102 (u. 1)</li> </ul>	
37	<ul style="list-style-type: none"> <li>TUERCA HEXAGONAL 6 M5 T2706050 (u. 1)</li> </ul>	<b>OBSOLETE</b>
39	<ul style="list-style-type: none"> <li>BEARING BALL 619/8-ZZ 0/000.960.9105 (u. 1)</li> </ul>	

**REED VALVE**


- |   |   |
|---|---|
| 1 | <ul style="list-style-type: none"> <li>● REED VALVE ASSEMBLY V-FORCE 4<br/>0/005.600.9100 (u. 1)</li> </ul>             |
| 2 | <ul style="list-style-type: none"> <li>● CLAMP S56/9 W1 ZINC<br/>0/000.680.9109 (u. 1)</li> </ul>                       |
| 3 | <ul style="list-style-type: none"> <li>● MANIFOLD ADMISION ENDURO 2018<br/>0/000.290.9116 (u. 1)</li> </ul>             |
| 4 | <ul style="list-style-type: none"> <li>● SEAL BOX REED VALVES MANIFOLD ENDURO 2018<br/>0/000.490.9114 (u. 1)</li> </ul> |
| 5 | <ul style="list-style-type: none"> <li>● SPECIAL BOLT 6x25 DIN 6921 GEOMET 10.9<br/>0/000.460.9121 (u. 6)</li> </ul>    |
| 6 | <ul style="list-style-type: none"> <li>● CRANKCASE REED VALVE GASKET<br/>0/000.490.9120 (u. 1)</li> </ul>               |
| 7 | <ul style="list-style-type: none"> <li>● REED VALVE SET<br/>ME27000GG-CAB-1 (u. 2)</li> </ul>                           |

## CHANGE SHAFT



**1** ● SET PRIMA. AND SECOND ENDURO 2018  
ME47000CT-CLJ-1 (u. 1)

**3** ● SHORT FORK AXIS 5-6  
0/000.190.9107 (u. 1)

**4** ● FORK AXIS 1-2-3-4  
0/000.190.9106 (u. 1)

**5** ● SHIFT CAM EC  
0/005.090.9100 (u. 1)

**6** ● GEAR LEVER END  
0/005.560.9100 (u. 1)

**7** ● GEAR BUSHING  
0/000.480.9122 (u. 1)

**8** ● GEAR FASTEN SPRING  
0/000.470.9108 (u. 1)

**9** ● WASHER 6x16x1.5 DIN 125 ZINC  
0/000.440.9125 (u. 1)

**10** ● SPECIAL BOLT 6x25 DIN 6921 GEOMET 10.9  
0/000.460.9121 (u. 1)

**11** ● SHIFT CAM BEARING  
0/000.960.9111 (u. 1)

**12** ● SHIFT CAM BEARING  
0/000.960.9110 (u. 1)

**13** ● SEAL 12227  
0/000.890.9107 (u. 1)

**14** ● SELECTOR SPRING SCREW  
0/000.460.9110 (u. 2)

**15** ● SCORPION SPRING  
ME25636039 (u. 1)

**16** ● SCORPION  
ME250236036 (u. 1)

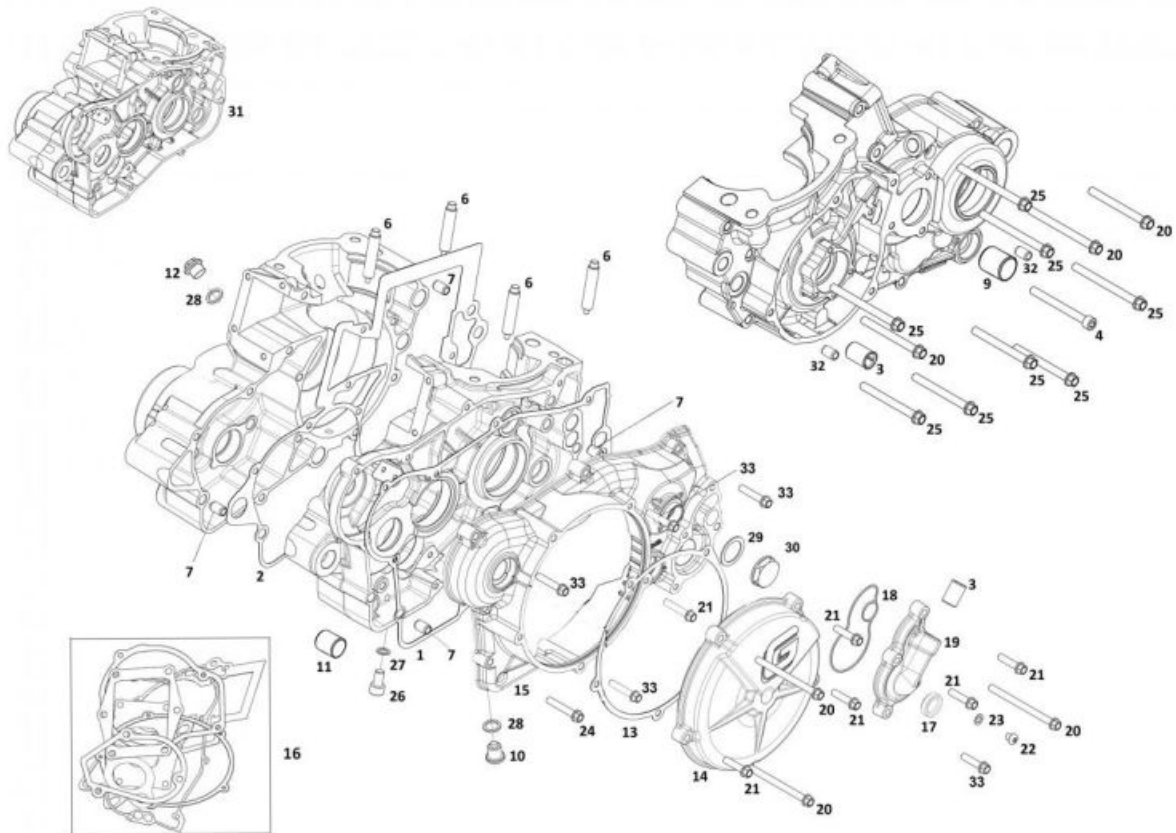
**17** ● SCORPION CENTRER BUSHING  
ME250236041 (u. 1)

**18** ● SELECTOR SPRING  
ME25636035 (u. 1)

**19** ● GEAR FASTEN SET  
0/005.010.9100 (u. 1)

<b>20</b>	<ul style="list-style-type: none"><li>● GEAR LEVER SET RF2014 0/005.430.9100 (u. 1)</li></ul>
<b>21</b>	<ul style="list-style-type: none"><li>● SEEGER 12X1 0/000.300.9104 (u. 1)</li></ul>
<b>22</b>	<ul style="list-style-type: none"><li>● BOLT 6x20 DIN 6921 GEOMET 10.9 0/000.460.9120 (u. 1)</li></ul>

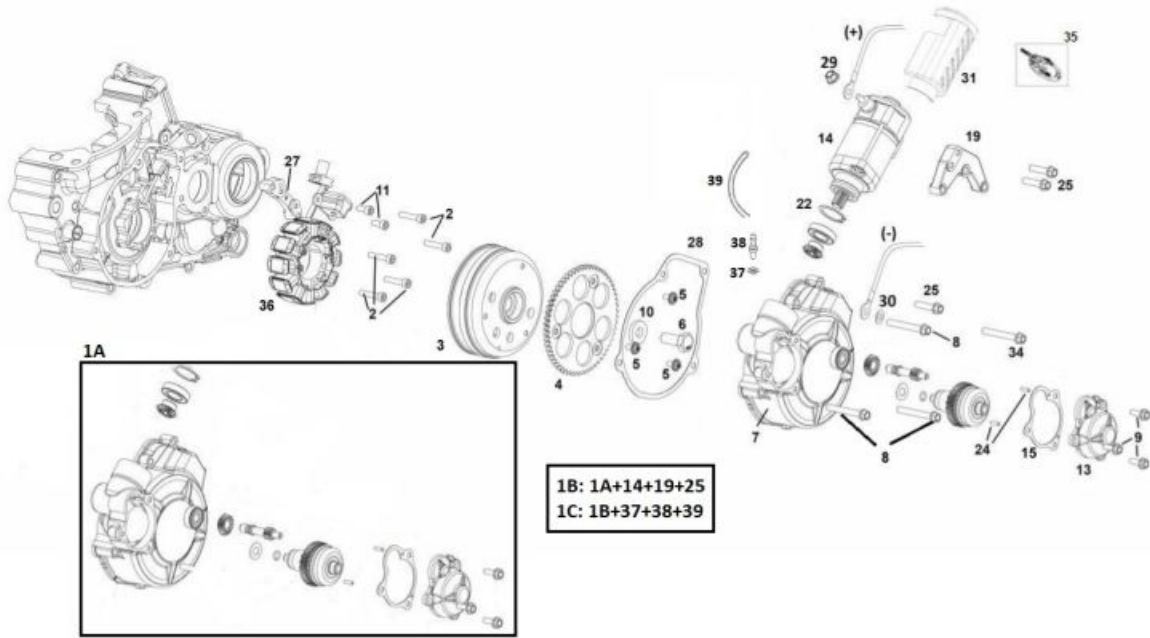
## CARTER



- |    |  |
|----|--|
| 1  | <ul style="list-style-type: none"> <li>● CLUTCH COVER GASKET 0,5mm</li> <li>0/000.490.9108 (u. 1)</li> </ul>         |
| 2  | <ul style="list-style-type: none"> <li>● GASKET CRANKCASE 2018</li> <li>0/000.490.9118 (u. 1)</li> </ul>             |
| 3  | <ul style="list-style-type: none"> <li>● WATER INLET FITTING</li> <li>0/000.480.9123 (u. 2)</li> </ul>               |
| 4  | <ul style="list-style-type: none"> <li>● ALLEN BOLT 6x60 DIN 912 ZINC 12.9</li> <li>0/000.460.9150 (u. 1)</li> </ul> |
| 6  | <ul style="list-style-type: none"> <li>● PIN CYLINDER EC RANGER 300</li> <li>0/000.280.9102 (u. 4)</li> </ul>        |
| 7  | <ul style="list-style-type: none"> <li>● ENGINE CASE LOCATER BUSHING</li> <li>0/000.480.9119 (u. 4)</li> </ul>       |
| 9  | <ul style="list-style-type: none"> <li>● BRAKE PEDAL BUSHING 12X15.</li> <li>0/000.480.9117 (u. 1)</li> </ul>        |
| 10 | <ul style="list-style-type: none"> <li>● PLUG EMPTY OIL</li> <li>0/000.410.9104 (u. 1)</li> </ul>                    |
| 11 | <ul style="list-style-type: none"> <li>● BRAKE PEDAL BUSHING 1212PD</li> <li>0/000.480.9105 (u. 1)</li> </ul>        |
| 12 | <ul style="list-style-type: none"> <li>● PLUG LOAD OIL</li> <li>0/000.410.9103 (u. 1)</li> </ul>                     |
| 13 | <ul style="list-style-type: none"> <li>● DISCS COVER GASKET 2014</li> <li>0/000.490.9104 (u. 1)</li> </ul>           |
| 14 | <ul style="list-style-type: none"> <li>● COVER DISC CLUTCH GRAY</li> <li>0/000.350.9105 (u. 1)</li> </ul>            |
| 15 | <ul style="list-style-type: none"> <li>● COVER CLUTCH GRAY RAL (9006)</li> <li>0/000.350.9107 (u. 1)</li> </ul>      |
| 16 | <ul style="list-style-type: none"> <li>● SET GASKETS 250-300 EC 2018</li> <li>ME94610CT-CLJ-1 (u. 1)</li> </ul>      |

17	<ul style="list-style-type: none"> <li>SIGHT GLASS OIL 0/000.410.9106 (u. 1)</li> </ul>	
18	<ul style="list-style-type: none"> <li>WATER PUMP COVER GASKET 0/000.490.9115 (u. 1)</li> </ul>	
19	<ul style="list-style-type: none"> <li>PUMP COVER WATER 0/000.220.9124 (u. 1)</li> </ul>	
	<ul style="list-style-type: none"> <li>PUMP COVER WATER 0/000.220.9124 (u. 1)</li> </ul>	
20	<ul style="list-style-type: none"> <li>HEAD SCREW 6x75 DELTA PROTEK 12.9 0/000.460.9129 (u. 6)</li> </ul>	
21	<ul style="list-style-type: none"> <li>SPECIAL BOLT 6x25 DIN 6921 GEOMET 10.9 0/000.460.9121 (u. 11)</li> </ul>	
22	<ul style="list-style-type: none"> <li>SCREW SPECIAL 6X10+WASHER GEOMET 10.9 0/000.460.9133 (u. 1)</li> </ul>	
23	<ul style="list-style-type: none"> <li>HEAD BOLT WASHE 6x10x1.5 0/000.440.9122 (u. 1)</li> </ul>	
24	<ul style="list-style-type: none"> <li>SPECIAL BOLT 6X35 DIN 6921 GEOMET 0/000.460.9124 (u. 1)</li> </ul>	
25	<ul style="list-style-type: none"> <li>HEAD SCREW 6x60 DELTA PROTEK 10.9 0/000.460.9128 (u. 8)</li> </ul>	
26	<ul style="list-style-type: none"> <li>ALLEN 8X14 T0308014 (u. 1)</li> </ul>	<b>OBSOLETE</b>
27	<ul style="list-style-type: none"> <li>COPPER WASHER 8x12x1 DIN 125 A ISO 7089 0/000.440.9128 (u. 1)</li> </ul>	
28	<ul style="list-style-type: none"> <li>SPARK PLUG WASHER 12X18X2 0/000.440.9114 (u. 2)</li> </ul>	
29	<ul style="list-style-type: none"> <li>O-RING 20 x 1.5 NBR 70 0/000.490.9116 (u. 1)</li> </ul>	
30	<ul style="list-style-type: none"> <li>CAP ADJUSTMENT CENTRIFUGAL 0/000.410.9105 (u. 1)</li> </ul>	
31	<ul style="list-style-type: none"> <li>CRANKCASE KIT EC2018 ME10000CT-CLJ-1 (u. 1) - 250cc / 300cc</li> </ul>	
	<ul style="list-style-type: none"> <li>SET CRANKCASE ENDURO 200 2018 ME10000CT-CLP-1 (u. 1) - 200cc</li> </ul>	
32	<ul style="list-style-type: none"> <li>ENGINE CASE LOCATER BUSHING 0/000.480.9119 (u. 2)</li> </ul>	
33	<ul style="list-style-type: none"> <li>ALLEN BOLT 6x30 DIN 6921 GEOMET 0/000.460.9123 (u. 5)</li> </ul>	

**FLYWHEEL - ELECTRICAL STARTER**

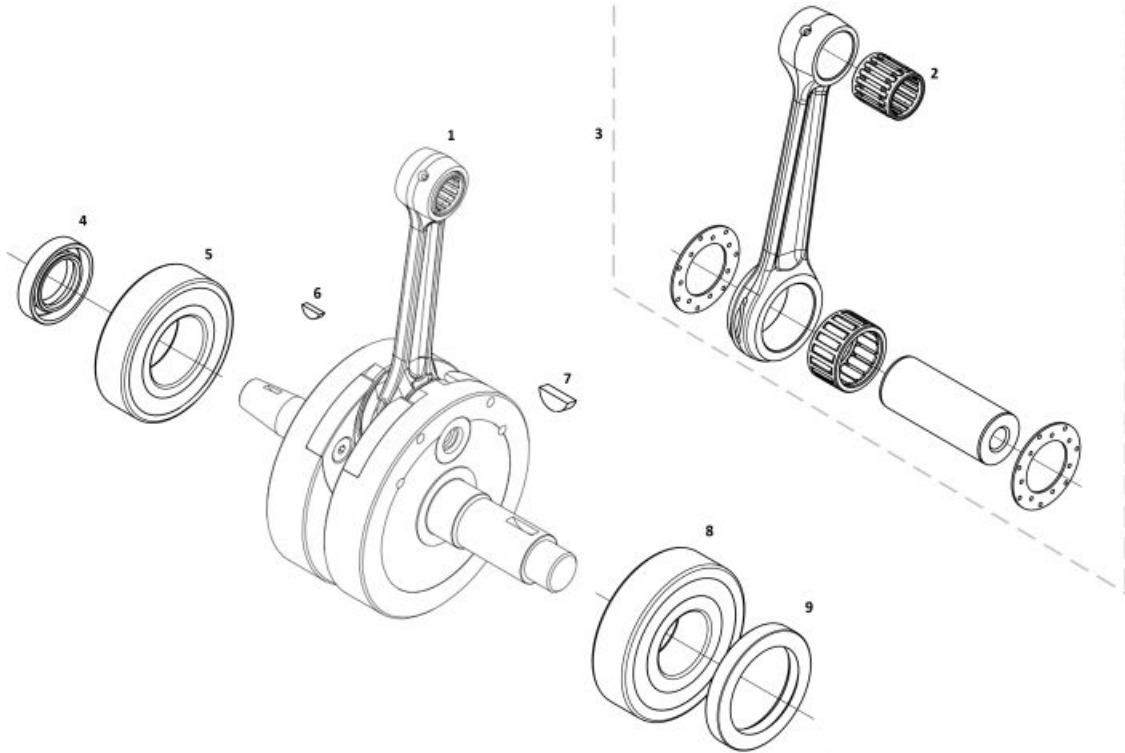


<b>1B</b>	<ul style="list-style-type: none"> <li>KIT ARRANQUE ELECTRICO MR 2022 0/005.480.9102 (u. 1) - WITH STARTER ENGINE</li> </ul>
<b>1A</b>	<ul style="list-style-type: none"> <li>KIT TAPA ARRANQUE + BENDIX MEJORADO 0/005.480.9103 (u. 1) - WITHOUT STARTER ENGINE</li> </ul>
<b>1C</b>	<ul style="list-style-type: none"> <li>KIT ARRANQUE ELECTRICO MR 2022 + DESVAPORIZADOR 0/K05.480.9102 (u. 1) - WITH STARTER ENGINE</li> </ul>
<b>2</b>	<ul style="list-style-type: none"> <li>ALLEN BOLT 5x25 DIN 912 DRACOMET 8.8 0/000.460.9146 (u. 5)</li> </ul>
<b>3</b>	<ul style="list-style-type: none"> <li>SET FLYWHEEL EC 250-300 2019 EE70000CT-CSK-1 (u. 1)</li> </ul>
<b>4</b>	<ul style="list-style-type: none"> <li>ELECTRIC START SPROCKET EC 2015 0/005.400.9102 (u. 1)</li> </ul>
<b>5</b>	<ul style="list-style-type: none"> <li>TORX CABEZA ABOM.WASHER 5X8 ISO 7380-2 10.9 0/000.460.9154 (u. 3)</li> </ul>
<b>6</b>	<ul style="list-style-type: none"> <li>VISS EXAG. 10x25 GEOMET 0/000.460.9112 (u. 1)</li> </ul>
<b>7</b>	<ul style="list-style-type: none"> <li>COVER IGNITION EC 2015 ME60100GG-CBR-3 (u. 1)</li> </ul>
<b>8</b>	<ul style="list-style-type: none"> <li>HEAD SCREW 6x40 GEOMET 10.9 0/000.460.9125 (u. 1)</li> </ul>
<b>9</b>	<ul style="list-style-type: none"> <li>HEAD SCREW 5x15 DIN 6921 GEOMET 10.9 0/000.460.9115 (u. 3)</li> </ul>
<b>11</b>	<ul style="list-style-type: none"> <li>ALLEN BOLT 5x10 DIN 912 ZINC 12.9 0/000.460.9145 (u. 2)</li> </ul>
<b>13</b>	<ul style="list-style-type: none"> <li>COVER BENDIX EC 2015 EE80130GG-CBR-2 (u. 1)</li> </ul>
<b>14</b>	<ul style="list-style-type: none"> <li>STARTING-ENGINE.EC 2015 PHI50mm 0/005.480.9100 (u. 1)</li> </ul>
<b>15</b>	<ul style="list-style-type: none"> <li>SEAL COVER BENDIX EC 2015 EE80135GG-CBR-1 (u. 1)</li> </ul>
<b>19</b>	<ul style="list-style-type: none"> <li>ELECTRIC START ENGINE BRACKET EC 2015 0/000.980.9111 (u. 1)</li> </ul>
<b>22</b>	<ul style="list-style-type: none"> <li>SEEGER DIN-472-DIAM 28X1.2 EE80055GG-CBR-1 (u. 1)</li> </ul>



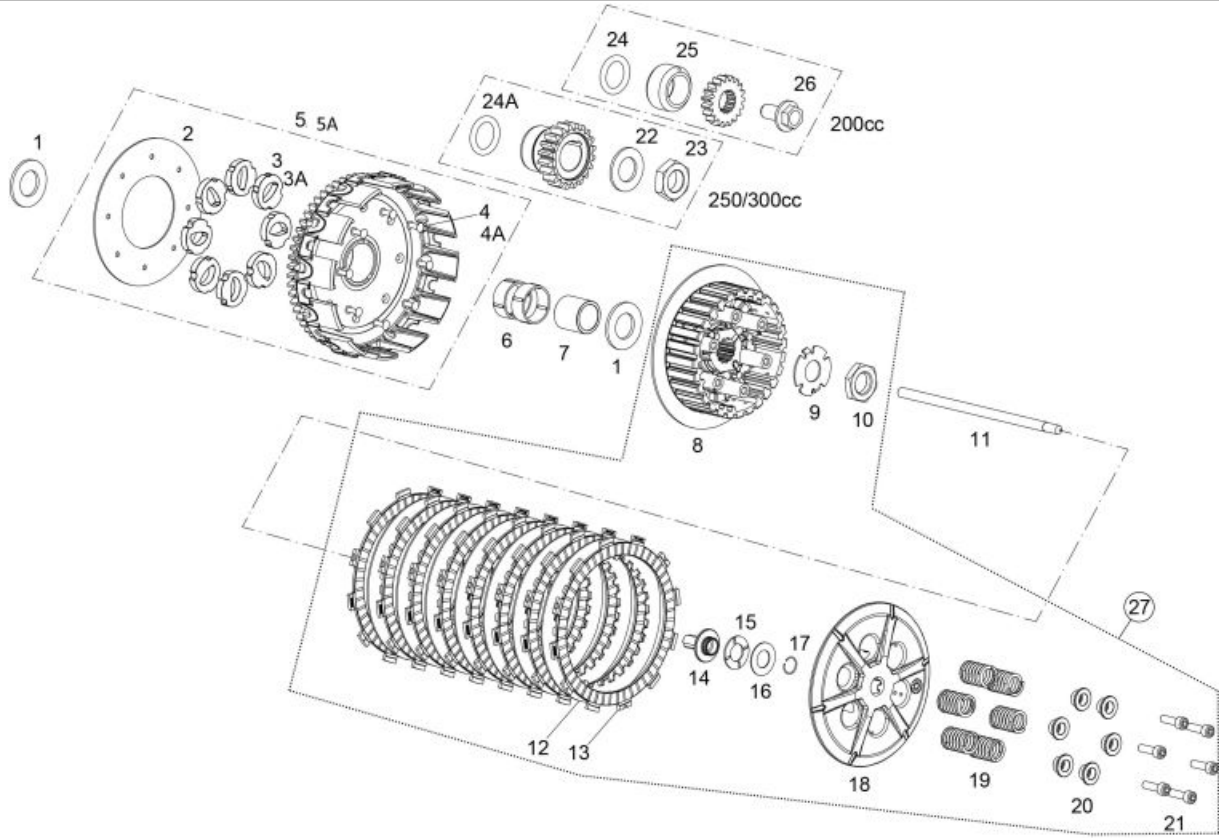
<b>24</b>	<ul style="list-style-type: none"> <li>● NOZZLE DIN5402-3 TYPE BF DIAM-3X9.8 FLAT EE80140GG-CBR-1 (u. 2)</li> </ul>
<b>25</b>	<ul style="list-style-type: none"> <li>● SPECIAL BOLT 6x25 DIN 6921 GEOMET 10.9 0/000.460.9121 (u. 3)</li> </ul>
<b>27</b>	<ul style="list-style-type: none"> <li>● ADAPTOR PULSER HIDRIA EC 2014 V2 0/000.980.9109 (u. 1)</li> </ul>
<b>28</b>	<ul style="list-style-type: none"> <li>● GASKET COVER IGNITION 0/000.490.9119 (u. 1)</li> </ul>
<b>29</b>	<ul style="list-style-type: none"> <li>● NUT WASHER 6mm DIN 6923 ZINC 8 0/000.340.9116 (u. 1)</li> </ul>
<b>30</b>	<ul style="list-style-type: none"> <li>● WASHER 6x12x1.5 DIN 125 ZINC 0/000.440.9124 (u. 1)</li> </ul>
<b>31</b>	<ul style="list-style-type: none"> <li>● COVER STARTER ELECTRIC EC 2018 0/000.220.9119 (u. 1)</li> </ul>
<b>32</b>	<ul style="list-style-type: none"> <li>● ALLEN BOLT 6X45 DIN 912 ZINC 12.9 0/000.460.9149 (u. 1)</li> </ul>
<b>33</b>	<ul style="list-style-type: none"> <li>● 6X40 SPECIAL SCREW DIN 912 ZINC 12.9 0/000.460.9148 (u. 1)</li> </ul>
<b>34</b>	<ul style="list-style-type: none"> <li>● HEAD SCREW 6x50 DIN 6921 GEOMET 10.9 0/000.460.9126 (u. 1)</li> </ul>

**CRANKSHAFT**



<p><b>1</b></p>	<ul style="list-style-type: none"> <li>● SET CRANCKSHAFT ENDURO 2018 0/005.380.9100 (u. 1)</li> <li>● CRANCKSHAFT EC200-2014 0/005.380.9102 (u. 1)</li> </ul>	
<p><b>2</b></p>	<ul style="list-style-type: none"> <li>● Piston Pin Bearing Pro ME25616035 (u. 1)</li> </ul>	
<p><b>3</b></p>	<ul style="list-style-type: none"> <li>● MATERIA PRIMA BIELETA ENDURO 2018 0/000.980.9102 (u. 1)</li> </ul>	<p><b>OBSOLETE</b></p>
<p><b>4</b></p>	<ul style="list-style-type: none"> <li>● LEFT SIDE CRANK SHAFT SEAL 0/000.890.9103 (u. 1)</li> </ul>	
<p><b>5</b></p>	<ul style="list-style-type: none"> <li>● BRG. CRANCKSHAFT LEFT 6206- TN9/C4 0/000.960.9115 (u. 1)</li> </ul>	
<p><b>6</b></p>	<ul style="list-style-type: none"> <li>● FLYWHEEL KEY 3x3.7xD10 TXT DIN 6888 0/005.490.9102 (u. 1)</li> </ul>	
<p><b>7</b></p>	<ul style="list-style-type: none"> <li>● CRANKSHAFT KEY (DIAM 16X5X6.5) DIN 6888 0/005.490.9100 (u. 1)</li> </ul>	
<p><b>8</b></p>	<ul style="list-style-type: none"> <li>● BRG. CRANCKSHAFT RIGHT 63/28-HN3/C3 GXN 0/000.960.9116 (u. 1)</li> </ul>	
<p><b>9</b></p>	<ul style="list-style-type: none"> <li>● CRANK SEAL TB2J 38-52 7 0/000.890.9102 (u. 1)</li> </ul>	

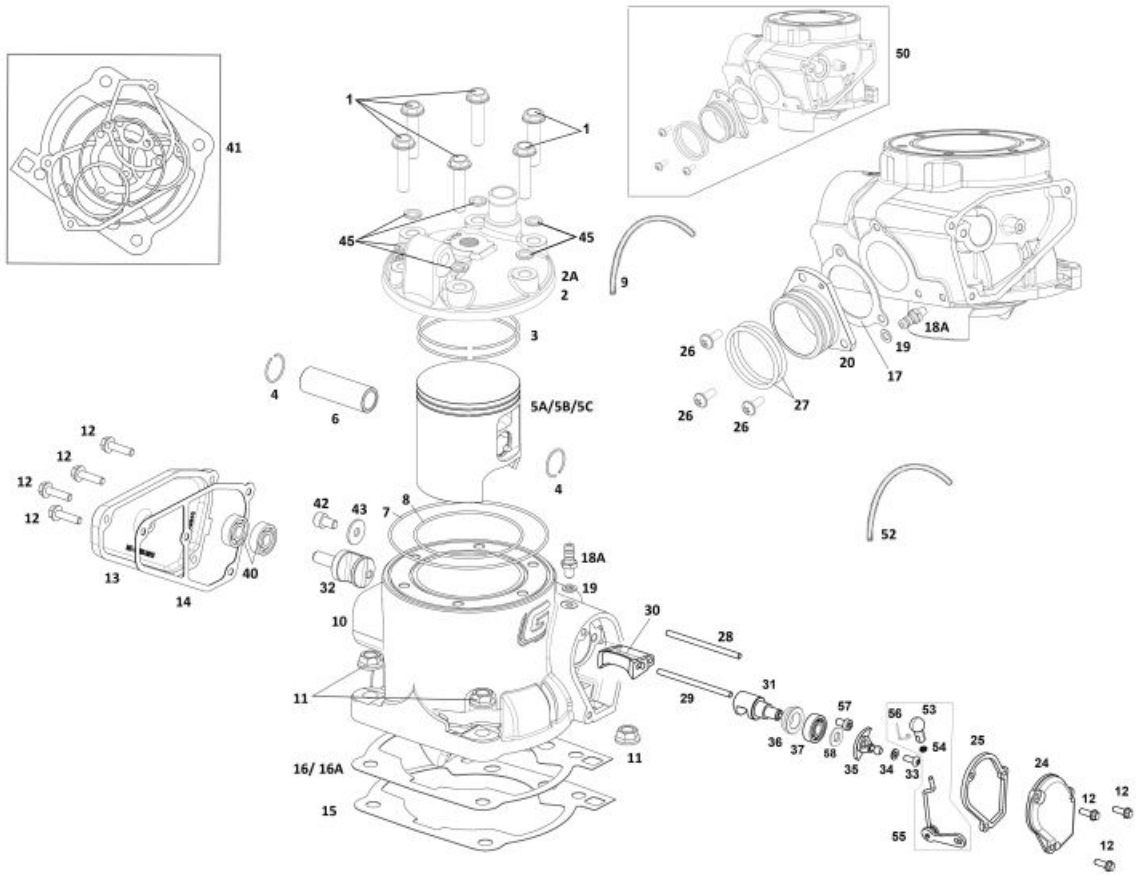
**CLUTCH**



1	<ul style="list-style-type: none"> <li>● CLUTCH 2T BELL WASHER 0/000.440.9106 (u. 2)</li> </ul>
2	<ul style="list-style-type: none"> <li>● CLUTCH BOSS WASHER ME20932009 (u. 1)</li> </ul>
3	<ul style="list-style-type: none"> <li>● SILENTBLOCK ME20932008 (u. 8)</li> </ul>
4	<ul style="list-style-type: none"> <li>● PRIMARY DRIVEN GEAR RIVETS ME250132010 (u. 8)</li> </ul>
5	<ul style="list-style-type: none"> <li>● PRIMARY DRIVEN GEAR SET EC200 0/005.400.9103 (u. 1)</li> <li>● COMPLETE CLUTCH BASKE-GEAR EC 0/005.400.9104 (u. 1)</li> </ul>
6	<ul style="list-style-type: none"> <li>● PRIMARY DRIVEN GEAR BEARING 0/000.980.9113 (u. 2)</li> </ul>
7	<ul style="list-style-type: none"> <li>● PRIMARY DRIVEN GEAR BUSHING 0/000.480.9121 (u. 1)</li> </ul>
8	<ul style="list-style-type: none"> <li>● CLUTCH BOSS ENDURO 2018 ME22005GG-CLJ-1 (u. 1)</li> </ul>
9	<ul style="list-style-type: none"> <li>● CLUTCH LOCK WASHER ENDURO 2018 0/000.440.9104 (u. 1)</li> </ul>
10	<ul style="list-style-type: none"> <li>● CLUTCH BOSS NUT 0/000.340.9107 (u. 1)</li> </ul>
11	<ul style="list-style-type: none"> <li>● CLUTCH ROD 0/000.190.9105 (u. 1)</li> </ul>
12	<ul style="list-style-type: none"> <li>● IRON CLUTCH DISK ME22105GG-CLJ-1 (u. 7)</li> </ul>
13	<ul style="list-style-type: none"> <li>● COVERED CLUTCH DISK ME25632007 (u. 8)</li> <li>● COVERED CLUTCH DISK ME22100GG-CLJ-1 (u. 8) - <i>BEST QUALITY</i></li> </ul>

14	<ul style="list-style-type: none"> <li>● CLUTCH PRESSURE PLATE BUSHING 0/000.480.9120 (u. 1)</li> </ul>
15	<ul style="list-style-type: none"> <li>● NEEDLES BEARING AXK 1528 0/000.960.9109 (u. 1)</li> </ul>
16	<ul style="list-style-type: none"> <li>● BEARING WASHER 0/000.440.9107 (u. 1)</li> </ul>
17	<ul style="list-style-type: none"> <li>● CLUTCH PRESSURE RING (DIN7993Ø14X1) 0/000.300.9102 (u. 1)</li> </ul>
18	<ul style="list-style-type: none"> <li>● PRESSURE PLATE BEARING ME23000GG-CLJ-1 (u. 1)</li> </ul>
19	<ul style="list-style-type: none"> <li>● CASQ.MUELLE EMBR. EC-2018 ME22020GG-CLJ-1 (u. 6)</li> </ul>
20	<ul style="list-style-type: none"> <li>● SRPING CLUTCH EC 2018 ME22025GG-CLJ-1 (u. 6)</li> </ul>
21	<ul style="list-style-type: none"> <li>● Allen Bolt 6x25 (clutch cover) T0306025 (u. 6)</li> </ul>
22	<ul style="list-style-type: none"> <li>● WASHER DIN 125 D-20 ZINC 40-42HRC 0/000.440.9108 (u. 1)</li> </ul>
23	<ul style="list-style-type: none"> <li>● CRANK SHAFT PINION LOCKING NUT EC 0/000.340.9106 (u. 1)</li> </ul>
24	<ul style="list-style-type: none"> <li>● PRIMARY CLUTCH GEAR ORING (Ø23*5 NBR) 0/000.490.9106 (u. 1)</li> </ul>
25	<ul style="list-style-type: none"> <li>● CRANK SHAFT BUSHING EC200 0/000.480.9127 (u. 1)</li> </ul>
26	<ul style="list-style-type: none"> <li>● SPECIAL SCREW 12X25X125 12.9 GEOMET 0/000.460.9114 (u. 1)</li> </ul>
27	<ul style="list-style-type: none"> <li>● SET BASKET CLUTCHENDURO 2018 0/005.350.9100 (u. 1)</li> </ul>

**CYLINDER**

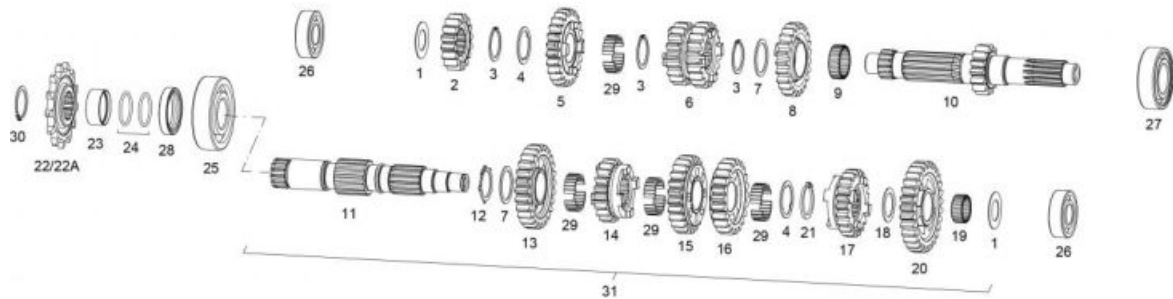


1	<ul style="list-style-type: none"> <li>● HEAD SCREW 8x35 DELTA PROTEK 10.9 0/000.460.9130 (u. 6)</li> </ul>
2	<ul style="list-style-type: none"> <li>● HEAD CIL. ENDURO 200 2018 0/005.770.9102 (u. 1)</li> <li>● CYLINDER HEAD ECRANGER 300 2019 0/005.770.9103 (u. 1) - 300cc</li> </ul>
3	<ul style="list-style-type: none"> <li>● PISTON RINGS SET EC300 ME30916040 (u. 1) - 300cc</li> </ul>
4	<ul style="list-style-type: none"> <li>● PISTON PIN CLIPS ME25616126 (u. 2)</li> </ul>
5	<ul style="list-style-type: none"> <li>● B TYPE PISTON EC300 ME300416121 (u. 1) - 300cc</li> <li>● PISTON (A) EC200 ME20816020 (u. 1)</li> <li>● PISTON (A) EC300 ME300416020 (u. 1) - 300cc</li> <li>● B TYPE PISTON EC200 ME20816121 (u. 1)</li> </ul>
6	<ul style="list-style-type: none"> <li>● PISTON PIN EC250 ME25616125 (u. 1)</li> </ul>
7	<ul style="list-style-type: none"> <li>● OUTER CYLINDER HEAD OÆRING 0/000.490.9109 (u. 1)</li> </ul>
8	<ul style="list-style-type: none"> <li>● INNER CYLINDER HEAD OÆRING EC200 0/000.490.9110 (u. 1)</li> <li>● INNER CYLINDER HEAD OÆRING 75.92X1 0/000.490.9111 (u. 1)</li> </ul>
9	<ul style="list-style-type: none"> <li>● CARTER BREATH TUBE (55cm) ME25610022 (u. 1)</li> </ul>

<b>10</b>	<ul style="list-style-type: none"> <li>SET CILINDER EC 200 2019 0/005.190.9102 (u. 1) - WITH PISTON</li> </ul>
	<ul style="list-style-type: none"> <li>CYLINDER ECRANGER 300 ME70000GG-CTR-1 (u. 1) - 300cc</li> </ul>
<b>11</b>	<ul style="list-style-type: none"> <li>CYLINDER BASE NUT 8.8 10X1.5 ZINC 0/000.340.9105 (u. 4)</li> </ul>
<b>12</b>	<ul style="list-style-type: none"> <li>HEAD SCREW 5x15 DIN 6921 GEOMET 10.9 0/000.460.9115 (u. 7)</li> </ul>
<b>13</b>	<ul style="list-style-type: none"> <li>LEFT VALVE COVER 0/000.350.9104 (u. 1)</li> </ul>
<b>14</b>	<ul style="list-style-type: none"> <li>GASKET LT. VALVE COVER EC 2013 0/000.490.9113 (u. 1)</li> </ul>
<b>15</b>	<ul style="list-style-type: none"> <li>CYLINDER GASKET 015 ME25644010 (u. 1)</li> </ul>
<b>16A</b>	<ul style="list-style-type: none"> <li>CYLINDER GASKET 03 ME25644009 (u. 1)</li> </ul>
<b>16</b>	<ul style="list-style-type: none"> <li>CYLINDER GASKET EC 0/000.490.9112 (u. 1)</li> </ul>
<b>17</b>	<ul style="list-style-type: none"> <li>EXHAUST GASKET ME25644012 (u. 1)</li> </ul>
<b>18A</b>	<ul style="list-style-type: none"> <li>CRANKCASE VENT NIPPLE D.3 0/000.630.9105 (u. 2)</li> </ul>
<b>19</b>	<ul style="list-style-type: none"> <li>Fiber Washer, 6X10X1.5 0/000.440.9123 (u. 2)</li> </ul>
<b>20</b>	<ul style="list-style-type: none"> <li>ALUMINIUM EXHAUST PIPE ME250516019 (u. 1)</li> </ul>
<b>24</b>	<ul style="list-style-type: none"> <li>RIGHT VALVE COVER EC 0/000.350.9108 (u. 1)</li> </ul>
<b>25</b>	<ul style="list-style-type: none"> <li>SEAL COVER VALV.RIGHT 4mm 0/000.490.9117 (u. 1)</li> </ul>
<b>26</b>	<ul style="list-style-type: none"> <li>TORX ULS SCREW 6X14 T0566014 (u. 3)</li> </ul>
<b>27</b>	<ul style="list-style-type: none"> <li>Exhaust Oring Pampera BE250526006 (u. 2)</li> </ul>
<b>28</b>	<ul style="list-style-type: none"> <li>LONG EXHAUST VALVE AXIS 93MM ME25616027 (u. 1)</li> </ul>
<b>29</b>	<ul style="list-style-type: none"> <li>HORT EXHAUST VALVE AXIS 83MM ME25616017 (u. 1)</li> </ul>
<b>30</b>	<ul style="list-style-type: none"> <li>CENTRAL EXHAUST VALVE ENDURO 250 2018 ME72005GG-CLK-1 (u. 1)</li> </ul>
<b>31</b>	<ul style="list-style-type: none"> <li>RIGHT EXHAUST VALVE ENDURO 250 2018 ME72000GG-CLK-1 (u. 1)</li> </ul>
<b>32</b>	<ul style="list-style-type: none"> <li>LEFT EXHAUST VALVE ENDURO 250 2018 ME72010GG-CLK-1 (u. 1)</li> </ul>
<b>33</b>	<ul style="list-style-type: none"> <li>SCREW ISO 7380 Allen M5x10 Cal.10.9 Zinc Plated 0/000.460.2000 (u. 1)</li> </ul>
<b>34</b>	<ul style="list-style-type: none"> <li>WASHER 5x12x1.5 DIN 125A ZINC 0/000.440.9121 (u. 1)</li> </ul>
<b>35</b>	<ul style="list-style-type: none"> <li>SET LEVER VALV.EXHAUST EC 2015 0/000.640.9103 (u. 1)</li> </ul>
<b>36</b>	<ul style="list-style-type: none"> <li>EXHAUST VALVE BEARING SPACER ME25616036 (u. 1)</li> </ul>
<b>37</b>	<ul style="list-style-type: none"> <li>BEARING 6000 C3Z=M03313001 0/000.960.9107 (u. 1)</li> </ul>
<b>40</b>	<ul style="list-style-type: none"> <li>508Z BEARING 0/000.960.9108 (u. 2)</li> </ul>

41	<ul style="list-style-type: none"> <li>JOINT CYLINDER CYLINDER HEAD MEETINGS ME94620CT-CAB-1 (u. 1) - 300cc</li> </ul>
43	<ul style="list-style-type: none"> <li>WASHER 6x18x1.5 ZINC 0/000.440.9126 (u. 1)</li> </ul>
44	<ul style="list-style-type: none"> <li>WASHER 6x12x1.5 DIN 125 ZINC 0/000.440.9124 (u. 1)</li> </ul>
45	<ul style="list-style-type: none"> <li>COOPER WASHER 8.5x16x1.5 DIN 125 A ISO 7090 0/000.440.9130 (u. 6)</li> </ul>
50	<ul style="list-style-type: none"> <li>SET CILINDER ECRANGER 300 2019 0/005.190.9103 (u. 1)</li> </ul>
51	<ul style="list-style-type: none"> <li>HEAD BOLT WASHE 6x10x1.5 0/000.440.9122 (u. 2)</li> </ul>
52	<ul style="list-style-type: none"> <li>VALVE TUBE BE733001209 (u. 1)</li> </ul>
53	<ul style="list-style-type: none"> <li>SET PUSHER VALV.EXHAUST COMPLETE EC 2015 0/000.640.9104 (u. 1)</li> </ul>
	<ul style="list-style-type: none"> <li>BALL-JOINT DIN-71805 0/000.340.9108 (u. 1)</li> </ul>
55	<ul style="list-style-type: none"> <li>SET PUSHER VALV.EXHAUST COMPLETE EC 2015 0/000.640.9104 (u. 1)</li> </ul>
56	<ul style="list-style-type: none"> <li>CLIP SECURITY BALL-JOINT 0/000.840.9103 (u. 1)</li> </ul>
58	<ul style="list-style-type: none"> <li>BUSH SEPARADOR BRG. VALV.ESCAPE 0/000.480.9124 (u. 1)</li> </ul>
59	<ul style="list-style-type: none"> <li>SPECIAL SCREW WITH WASHER 5x20 GEOMET 0/000.460.9117 (u. 1)</li> </ul>

**CHANGE ASSEMBLY**

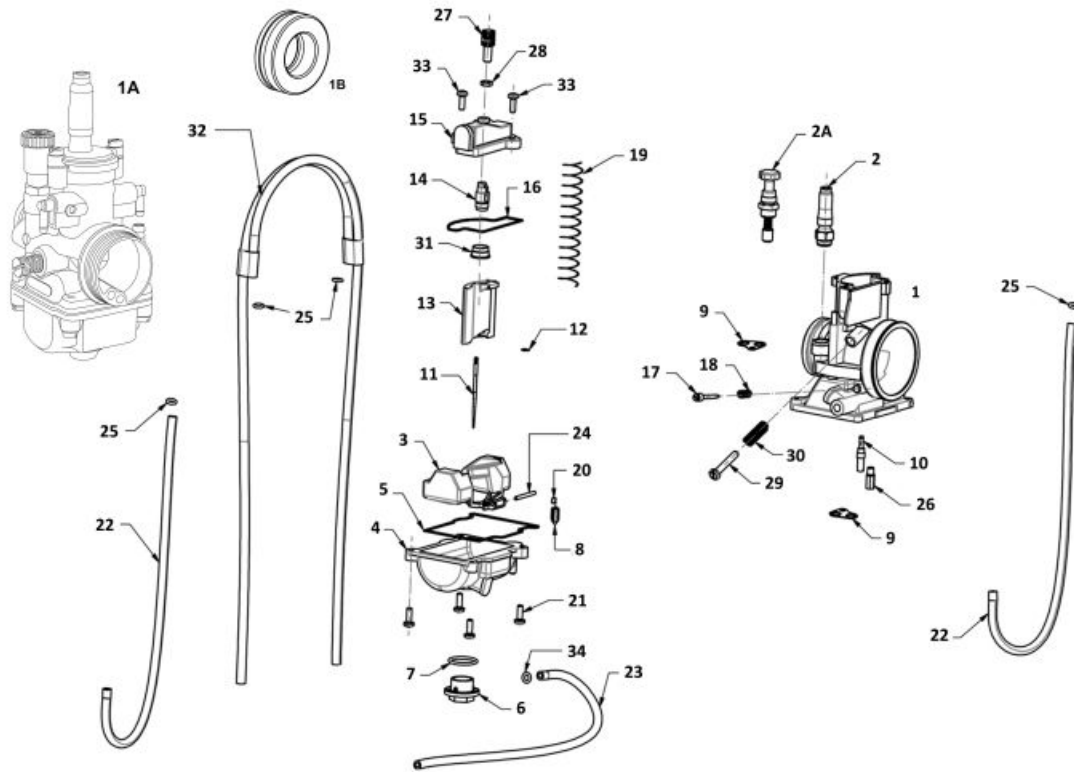


1	<ul style="list-style-type: none"> <li>SHIFT WASHER 18X315X07 ME25636014 (u. 2)</li> </ul>
2	<ul style="list-style-type: none"> <li>PRIMARY II PINION ME25636071 (u. 1)</li> </ul>
3	<ul style="list-style-type: none"> <li>CIRCLIP D.25 DIN 471 0/000.300.9107 (u. 3)</li> </ul>
4	<ul style="list-style-type: none"> <li>315X(25X22)X1 GROOVING WASHER ME25636091 (u. 2)</li> </ul>
5	<ul style="list-style-type: none"> <li>PRIMARY VI PINION ME25636074 (u. 1)</li> </ul>
6	<ul style="list-style-type: none"> <li>PRIMARY III AND IV PINION ME25636072 (u. 1)</li> </ul>
7	<ul style="list-style-type: none"> <li>252X315X1 GEAR WASHER ME25636017 (u. 2)</li> </ul>
8	<ul style="list-style-type: none"> <li>PRIMARY V PINION ME25636073 (u. 1)</li> </ul>
9	<ul style="list-style-type: none"> <li>KICKSTART GEAR BEARING K25-29-10 0/000.960.9104 (u. 1)</li> </ul>
10	<ul style="list-style-type: none"> <li>AXLE PRIMARY EC 250-2002 ME250236070 (u. 1)</li> </ul>
11	<ul style="list-style-type: none"> <li>SECONDARY AXIS ME410002508 (u. 1)</li> </ul>
12	<ul style="list-style-type: none"> <li>DIN 983 CIRCLIP ME25636095 (u. 1)</li> </ul>
13	<ul style="list-style-type: none"> <li>PINION SECONDARY II 7-26 ME42211GG-CSK-1 (u. 1)</li> </ul>
14	<ul style="list-style-type: none"> <li>SECONDARY VI PINION Z-19 ME42215GG-CSK-1 (u. 1)</li> </ul>
15	<ul style="list-style-type: none"> <li>SECONDARY III PINION ME42212GG-CSK-1 (u. 1)</li> </ul>
16	<ul style="list-style-type: none"> <li>SECONDARY IV PINION ME42213GG-CSK-1 (u. 1)</li> </ul>
17	<ul style="list-style-type: none"> <li>SECONDARY V PINION ME42214GG-CSK-1 (u. 1)</li> </ul>
18	<ul style="list-style-type: none"> <li>208X29X1 GEAR WASHER ME25636016 (u. 1)</li> </ul>
19	<ul style="list-style-type: none"> <li>K20X24X10 NEEDLES BEARING 0/000.960.9114 (u. 1)</li> </ul>



<b>20</b>	<ul style="list-style-type: none"> <li>● SECONDARY I PINION ME42210GG-CSK-1 (u. 1)</li> </ul>
<b>21</b>	<ul style="list-style-type: none"> <li>● CIRCLIP D.25 DIN 471 REBAIXAD D.2 SE03025200009 (u. 1)</li> </ul>
<b>22</b>	<ul style="list-style-type: none"> <li>● OUTER SPROCKET Z12 0/005.400.9113 (u. 1)</li> </ul>
<b>22A</b>	<ul style="list-style-type: none"> <li>● Z13 EXIT PINION 0/005.400.9112 (u. 1)</li> </ul>
<b>23</b>	<ul style="list-style-type: none"> <li>● SEAL BUSHING 0/000.260.9100 (u. 1)</li> </ul>
<b>24</b>	<ul style="list-style-type: none"> <li>● SHAFT O'RING 25x2 0/000.490.9107 (u. 2)</li> </ul>
<b>25</b>	<ul style="list-style-type: none"> <li>● SHIFT BEARING 6305 C3 0/000.960.9113 (u. 1)</li> </ul>
<b>26</b>	<ul style="list-style-type: none"> <li>● SHIFT BEARING 6203C3 0/000.960.9112 (u. 2)</li> </ul>
<b>27</b>	<ul style="list-style-type: none"> <li>● SHIFT BEARING 6205ZC3E 0/000.960.9106 (u. 1)</li> </ul>
<b>28</b>	<ul style="list-style-type: none"> <li>● COUNTERSHAFT SEAL 30x40x7 0/000.890.9106 (u. 1)</li> </ul>
<b>29</b>	<ul style="list-style-type: none"> <li>● KD22X25X98 NEEDLES BEARING 0/005.150.9101 (u. 4)</li> </ul>
<b>30</b>	<ul style="list-style-type: none"> <li>● CIRCLIP D.25 DIN 471 0/000.300.9107 (u. 1)</li> </ul>
<b>31</b>	<ul style="list-style-type: none"> <li>● SHIFT GEAR SET 0/005.400.9107 (u. 1)</li> </ul>

**CARBURETOR**

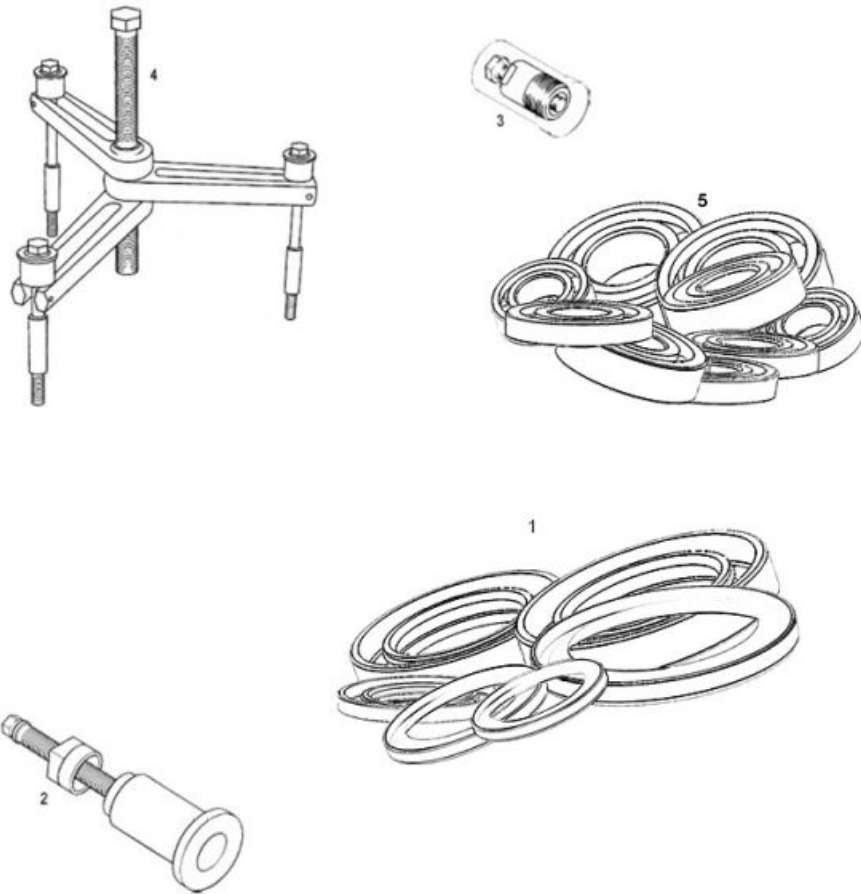


1	<ul style="list-style-type: none"> <li>● KEIHIN CARBURETOR PWKS 36 EC 0/005.155.9101 (u. 1)</li> </ul>	
1A	<ul style="list-style-type: none"> <li>● CARBURADOR PHBG 21 DS ENDURO 73/33 CAMPANA 40 0/005.155.9103 (u. 1)</li> </ul>	
1B	<ul style="list-style-type: none"> <li>● ADAPTOR CARBURATORLL ORTO ENDURO 2018 0/005.150.9102 (u. 1)</li> </ul>	
2A	<ul style="list-style-type: none"> <li>● COLD STARTER KNOB SET ME25690011 (u. 1)</li> </ul>	
2	<ul style="list-style-type: none"> <li>● CHOKE KNOB ME25000173012 (u. 1)</li> </ul>	
3	<ul style="list-style-type: none"> <li>● BOYA FLOATER 1052-856-2101 ME25000183012 (u. 1)</li> </ul>	
4	<ul style="list-style-type: none"> <li>● CUBETA FLOATER 1050-898-2102 ME25000193012 (u. 1)</li> </ul>	
5	<ul style="list-style-type: none"> <li>● SEAL CUBETA FLOATER 1051-KZ40-0001 ME25000203012 (u. 1)</li> </ul>	
6	<ul style="list-style-type: none"> <li>● FLOAT BODY DRAIN CAP ME25690015 (u. 1)</li> </ul>	
7	<ul style="list-style-type: none"> <li>● TORICA TAP.CUBETA 16173-001-0040 ME25690016 (u. 1)</li> </ul>	<b>OBSOLETE</b>
8	<ul style="list-style-type: none"> <li>● AGUJA FLOTADOR 1062-814-2103 ME25000213012 (u. 1)</li> </ul>	
9	<ul style="list-style-type: none"> <li>● SUJECCIÒN TUBO RESPIRADERO 1531-KZ4H-690 ME25000223012 (u. 1)</li> </ul>	<b>OBSOLETE</b>
10B	<ul style="list-style-type: none"> <li>● SLOW JET #42 (N424-21042) 0/005.991.9105 (u. 1)</li> </ul>	
	<ul style="list-style-type: none"> <li>● CHICLE RALENTI 42 N424-21042 ME25690042 (u. 1)</li> </ul>	<b>OBSOLETE</b>
10	<ul style="list-style-type: none"> <li>● KEIHIN N1EF NEEDLE 0/005.150.9100 (u. 1)</li> </ul>	

	<ul style="list-style-type: none"> <li>● CHICLE RALENTI 45 0/005.991.9103 (u. 1)</li> </ul>	
<b>10A</b>	<ul style="list-style-type: none"> <li>● CHICLE RALENTI 45 0/005.991.9103 (u. 1)</li> </ul>	
	<ul style="list-style-type: none"> <li>● SLOW JET 45 ME25690045 (u. 1)</li> </ul>	<b>OBSOLETE</b>
<b>11C</b>	<ul style="list-style-type: none"> <li>● NOZZLE NOZH N427-OZH00 ME120690435 (u. 1)</li> </ul>	
<b>11B</b>	<ul style="list-style-type: none"> <li>● NEEDLE N1EG ME250290428 (u. 1)</li> </ul>	
<b>11A</b>	<ul style="list-style-type: none"> <li>● NEEDLE N1EE ME250290427 (u. 1)</li> </ul>	
<b>11</b>	<ul style="list-style-type: none"> <li>● KEIHIN N1EF NEEDLE 0/005.150.9100 (u. 1)</li> </ul>	
<b>12</b>	<ul style="list-style-type: none"> <li>● NEEDLE CLIP ME25690021 (u. 1)</li> </ul>	
<b>13</b>	<ul style="list-style-type: none"> <li>● VALVE N°7 N502-66F00 0/005.150.9103 (u. 1)</li> </ul>	
<b>14</b>	<ul style="list-style-type: none"> <li>● NEEDLE HOLDER ME25690023 (u. 1)</li> </ul>	
<b>15</b>	<ul style="list-style-type: none"> <li>● TAP COMP. 1030-A92A-0000 ME25000243012 (u. 1)</li> </ul>	
<b>16</b>	<ul style="list-style-type: none"> <li>● GASKET O'RING TAP. COMPU. 1202-882-6000 ME25000253012 (u. 1)</li> </ul>	
<b>17</b>	<ul style="list-style-type: none"> <li>● VISS. REGULATION ME25000263012 (u. 1)</li> </ul>	
<b>18</b>	<ul style="list-style-type: none"> <li>● MUELLE TORN.REGUL.AIRE 1300-416H-9900 ME25000273012 (u. 1)</li> </ul>	
<b>19</b>	<ul style="list-style-type: none"> <li>● SPRING VALVE 1290-A53-2000 ME25000283012 (u. 1)</li> </ul>	
<b>20</b>	<ul style="list-style-type: none"> <li>● FLOAT CLIP ME25690027 (u. 1)</li> </ul>	
<b>21</b>	<ul style="list-style-type: none"> <li>● TORN.CUBETA 93500-04014-1H ME25000293012 (u. 4)</li> </ul>	
<b>22</b>	<ul style="list-style-type: none"> <li>● TUBO RESPIRADERO 0803-868-0000 ME25000303012 (u. 2)</li> </ul>	
<b>23</b>	<ul style="list-style-type: none"> <li>● TUBO RESPIRADERO-2 0803-869-0000 ME25000313012 (u. 1)</li> </ul>	
<b>24</b>	<ul style="list-style-type: none"> <li>● FLOAT AXLE ME25690033 (u. 1)</li> </ul>	
<b>25</b>	<ul style="list-style-type: none"> <li>● CLIP ME25690034 (u. 4)</li> </ul>	
<b>26</b>	<ul style="list-style-type: none"> <li>● KEIHIN N1EF NEEDLE 0/005.150.9100 (u. 1)</li> </ul>	
<b>27</b>	<ul style="list-style-type: none"> <li>● TENSOR CABLE W9581-59250 ME25000323012 (u. 1)</li> </ul>	
<b>28</b>	<ul style="list-style-type: none"> <li>● NUT TENSOR CABLE 1793-130H-9900 ME25000333012 (u. 1)</li> </ul>	
<b>29</b>	<ul style="list-style-type: none"> <li>● SLOW JET ADJUSTING BOLT ME25690038 (u. 1)</li> </ul>	
<b>30</b>	<ul style="list-style-type: none"> <li>● ADJUSTING BOLT SPRING ME25690039 (u. 1)</li> </ul>	
<b>31</b>	<ul style="list-style-type: none"> <li>● CARBURETOR COVER SPRING BUSHING ME25690040 (u. 1)</li> </ul>	
<b>32</b>	<ul style="list-style-type: none"> <li>● TUBE VENTILACIÒN 0803-862-0100 ME25000343012 (u. 1)</li> </ul>	

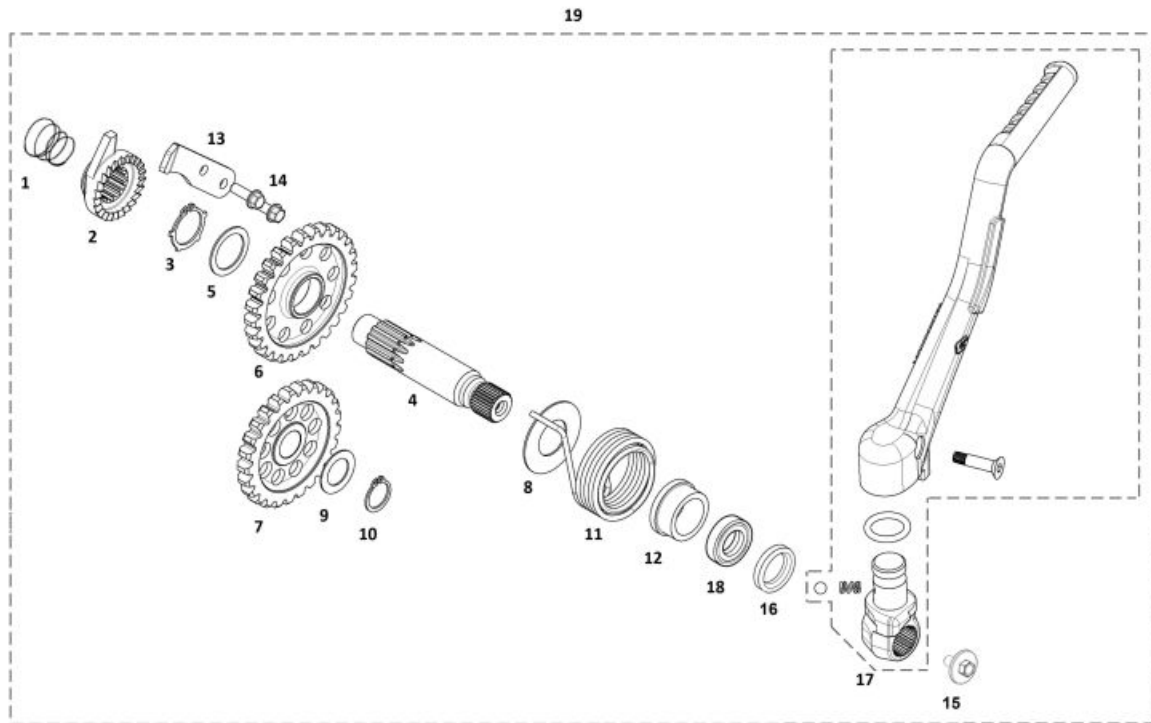
33	<ul style="list-style-type: none"><li>VISS. TAP COMP. ME25000353012 (u. 2)</li></ul>
34	<ul style="list-style-type: none"><li>CLIP TUBO RESPIRADERO-2 W9535-25000 ME25000363012 (u. 1)</li></ul>
35	<ul style="list-style-type: none"><li>STOP THROTTLE CABLE ME250690010 (u. 1)</li></ul> <p style="text-align: right;"><b>OBSOLETE</b></p>

**ENGINE TOOLS**



1	<ul style="list-style-type: none"> <li>● SET SEAL EC 250-300 ME906002510 (u. 1)</li> </ul>	
2	<ul style="list-style-type: none"> <li>● EXTRACTOR COJINETE CIGUEÑAL ME25950000 (u. 1)</li> </ul>	<b>OBSOLETE</b>
3	<ul style="list-style-type: none"> <li>● Flywheel Puller Pro MT280234045 (u. 1)</li> </ul>	
4	<ul style="list-style-type: none"> <li>● EXTRACTOR CARTER ME25950005 (u. 1)</li> </ul>	<b>OBSOLETE</b>

**KICK STARTER**



- |    |  |
|----|--|
| 1  | <ul style="list-style-type: none"> <li>● KICKSTART SPRING<br/>0/000.470.9109 (u. 1)</li> </ul>                     |
| 2  | <ul style="list-style-type: none"> <li>● INNER KICKSTART GEAR<br/>0/005.400.9110 (u. 1)</li> </ul>                 |
| 3  | <ul style="list-style-type: none"> <li>● CIRCLIP D.20 DIN 471<br/>0/000.300.9105 (u. 1)</li> </ul>                 |
| 4  | <ul style="list-style-type: none"> <li>● KICKSTARTER SHAFT<br/>0/005.400.9106 (u. 1)</li> </ul>                    |
| 5  | <ul style="list-style-type: none"> <li>● END WASHER 27X202X1<br/>0/000.440.9109 (u. 1)</li> </ul>                  |
| 6  | <ul style="list-style-type: none"> <li>● KICKDRIVE GEAR<br/>0/005.400.9105 (u. 1)</li> </ul>                       |
| 7  | <ul style="list-style-type: none"> <li>● KICKSTART INNER PINION<br/>0/005.400.9108 (u. 1)</li> </ul>               |
| 8  | <ul style="list-style-type: none"> <li>● KICKSTARTER WASHER 40x20,15x1<br/>0/000.440.9111 (u. 1)</li> </ul>        |
| 9  | <ul style="list-style-type: none"> <li>● WASHER 241515X08<br/>0/000.440.9110 (u. 1)</li> </ul>                     |
| 10 | <ul style="list-style-type: none"> <li>● SEEGER D.15 DIN 47<br/>0/000.300.9101 (u. 1)</li> </ul>                   |
| 11 | <ul style="list-style-type: none"> <li>● KICK START SPRING<br/>0/000.470.9110 (u. 1)</li> </ul>                    |
| 12 | <ul style="list-style-type: none"> <li>● KICKSTART SPRING BUSHING<br/>0/000.480.9125 (u. 1)</li> </ul>             |
| 13 | <ul style="list-style-type: none"> <li>● KICKSTART RATCHET BRACKET<br/>0/000.980.9114 (u. 1)</li> </ul>            |
| 14 | <ul style="list-style-type: none"> <li>● HEAD SCREW 5x15 DIN 6921 GEOMET 10.9<br/>0/000.460.9115 (u. 2)</li> </ul> |
| 15 | <ul style="list-style-type: none"> <li>● VISS ESPECIAL 6X11 GEOMET 10.9<br/>0/000.460.9134 (u. 1)</li> </ul>       |
| 16 | <ul style="list-style-type: none"> <li>● BUSH PEDAL ARRANQUE EC 2014<br/>0/000.480.9126 (u. 1)</li> </ul>          |

<b>17</b>	<ul style="list-style-type: none"><li>● KICKSTART PEDAL SET 0/005.430.9101 (u. 1)</li></ul>
<b>18</b>	<ul style="list-style-type: none"><li>● KICKSTARTER OIL SEAL 20X30X7 0/000.890.9105 (u. 1)</li></ul>
<b>19</b>	<ul style="list-style-type: none"><li>● STARTER PEDAL KIT ME89001CT-CTR-1 (u. 1)</li></ul>