

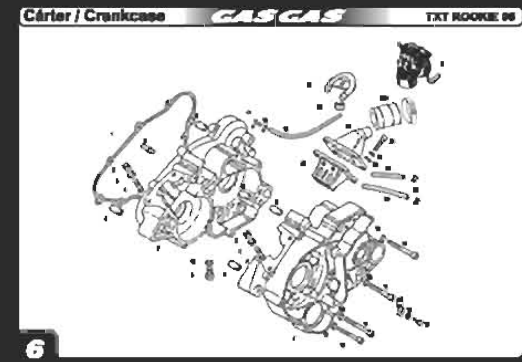
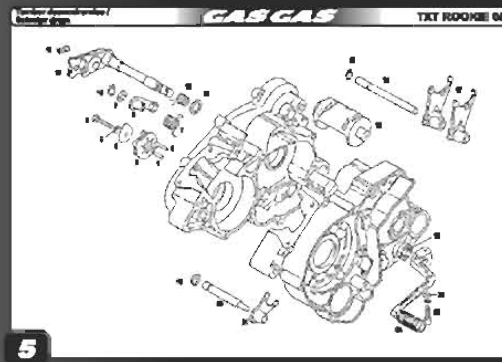
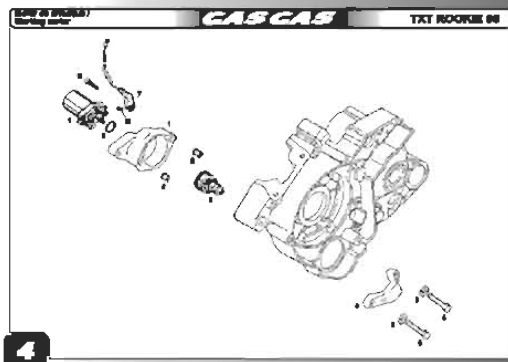
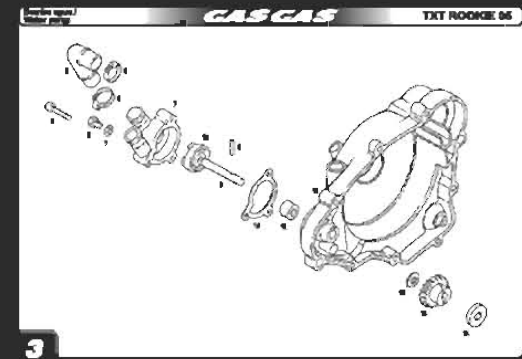
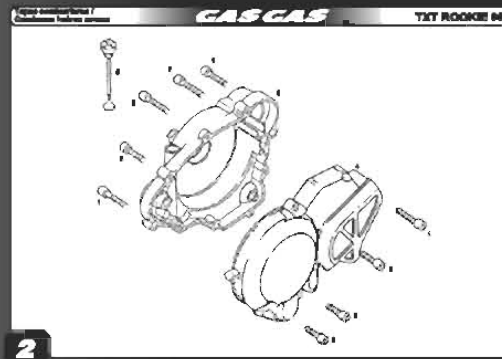
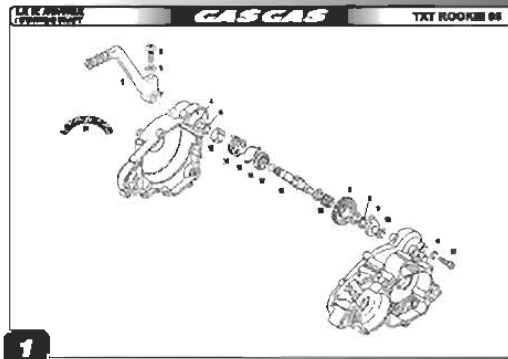
**DESPIECE  
PART LIST**

**TXT ROOKIE**

**2005**

**RAAGGAAK**

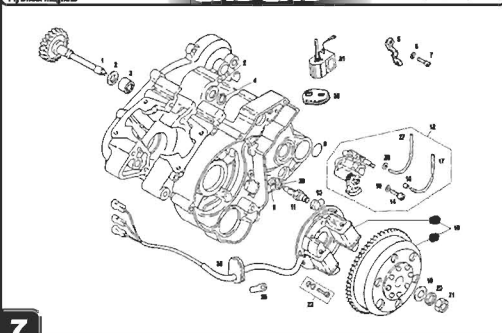
# MOTOR



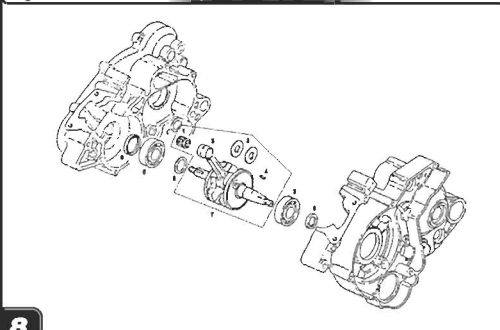
# DESPIECE

# ENGINE

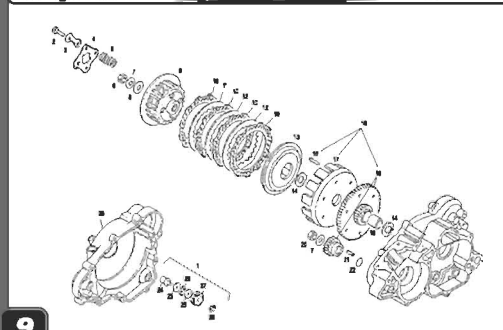
Volante magnético /  
Flywheel magnets **GASGAS** TXT ROOKIE 05



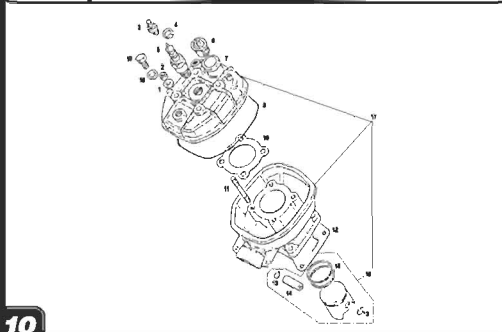
Cigüeñal / Crankshaft **GASGAS** TXT ROOKIE 05



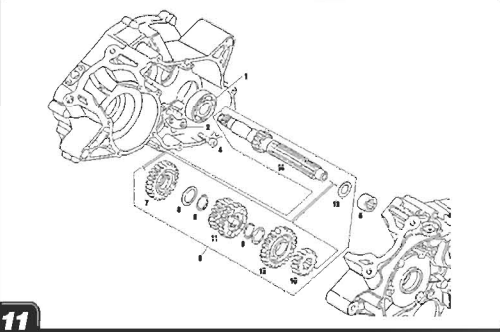
Embrague / Clutch **GASGAS** TXT ROOKIE 05



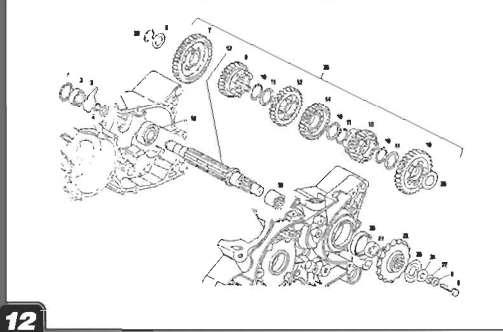
Cilindro / Cylinder **GASGAS** TXT ROOKIE 05

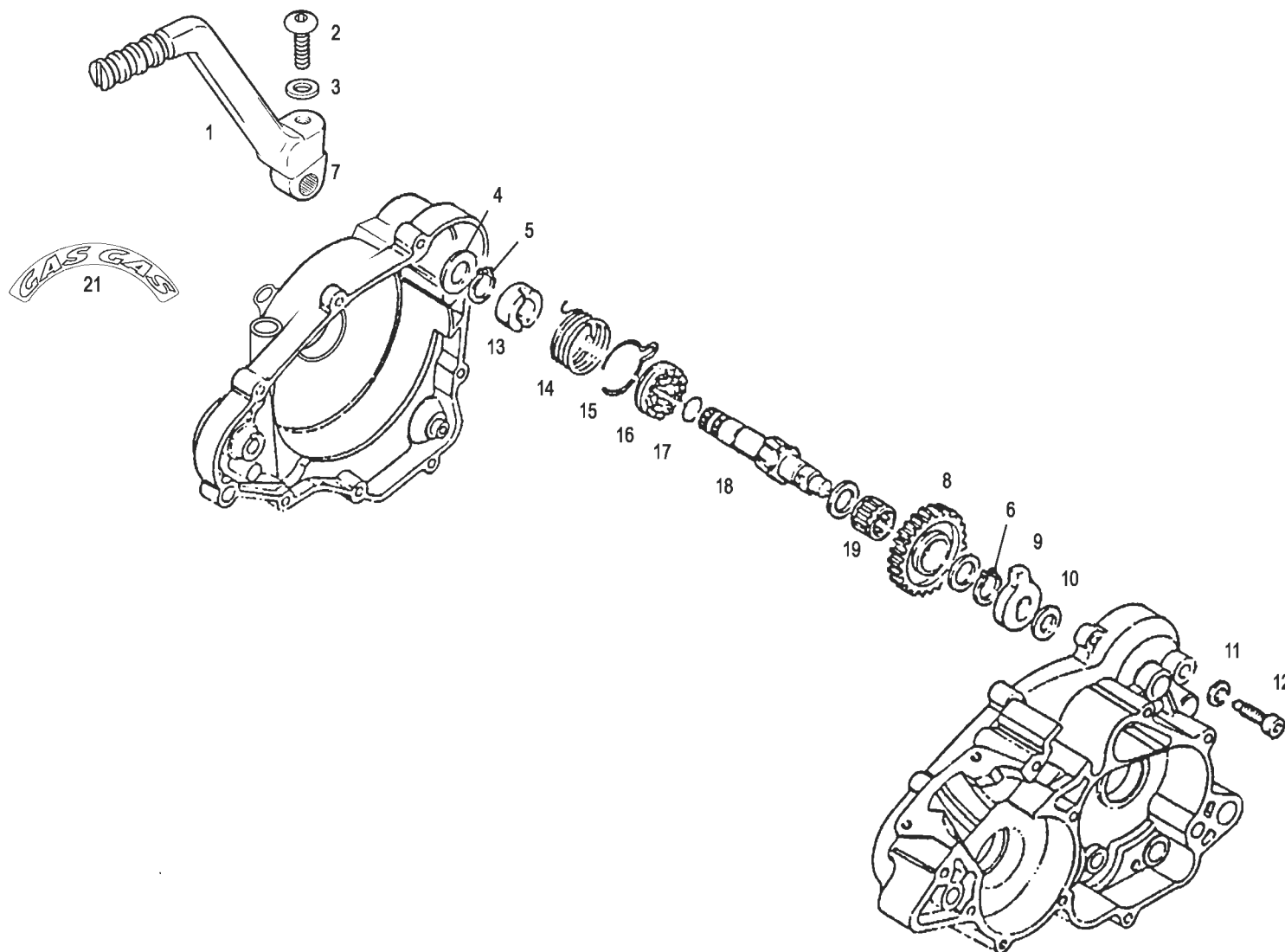


Eje primario / Main shaft **GASGAS** TXT ROOKIE 05

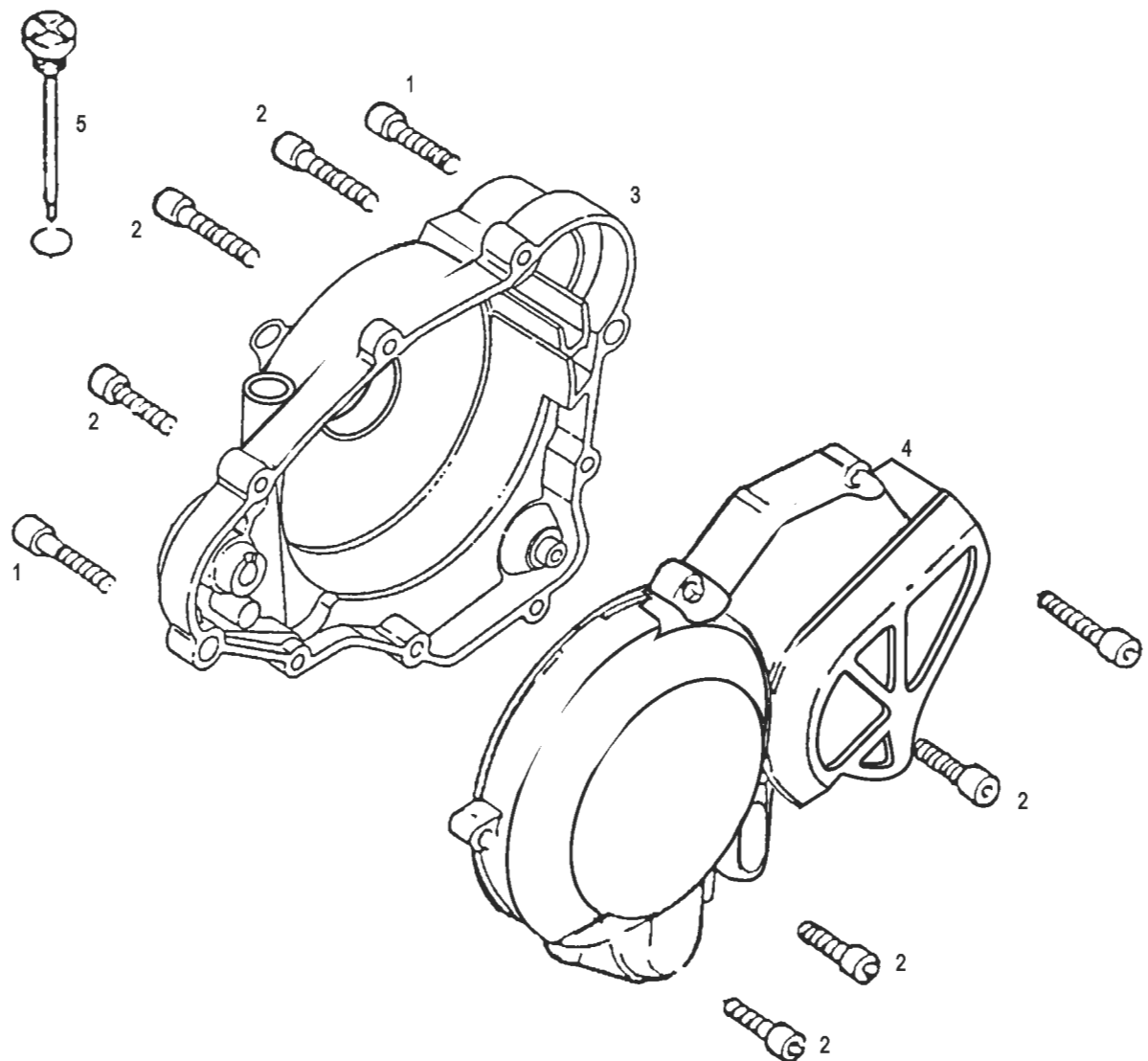


Eje secundario /  
Center shaft **GASGAS** TXT ROOKIE 05



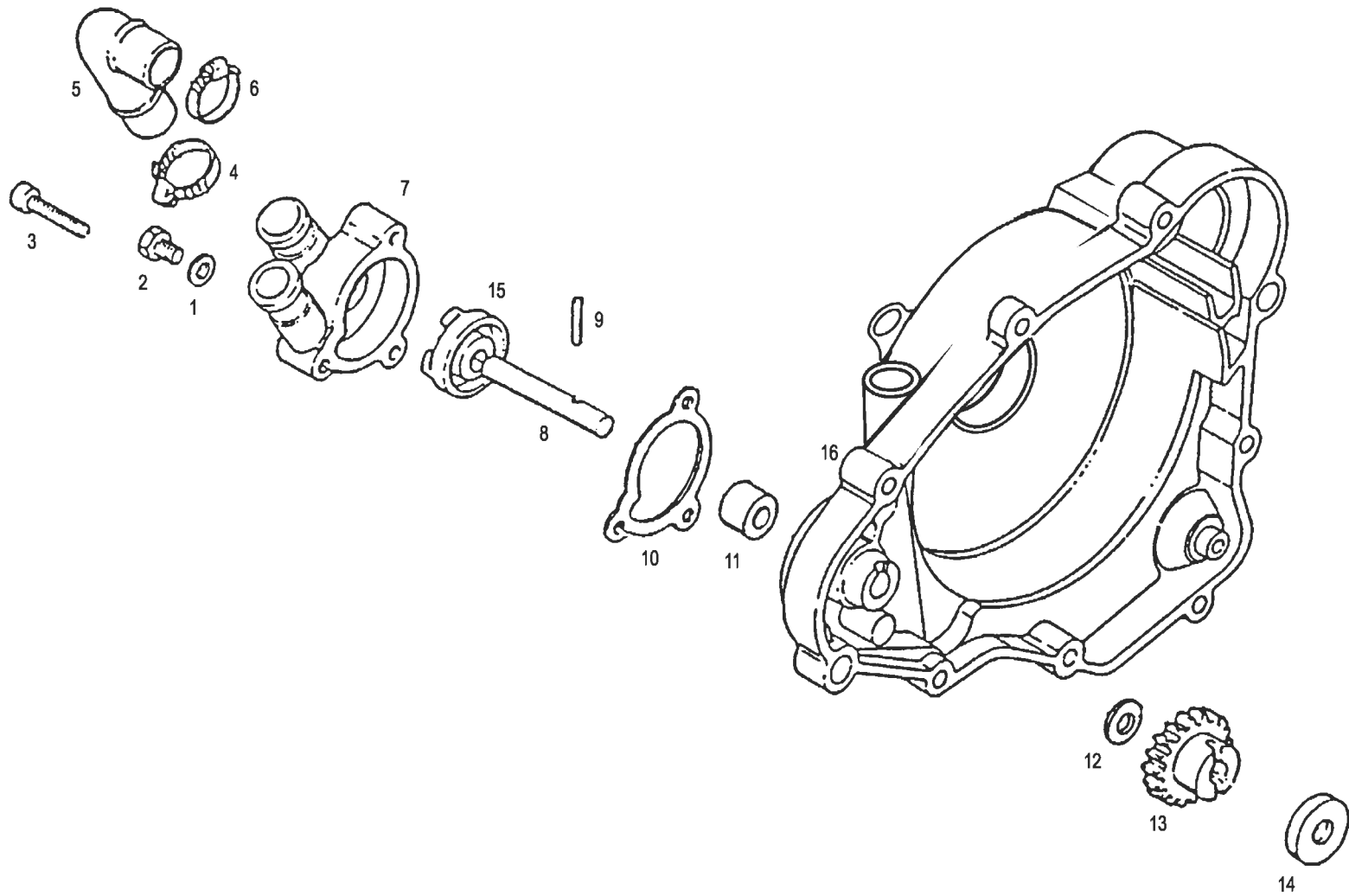


Nº	DESCRIPCIÓN / DESCRIPTION	TXT ROOKIE 05	Cant.
1	PEDAL ARRANQUE Y MUÑEQUILLA EC 50 / EC 50 KICKSTART SET	MIE500126060	1
2	TORNILLO 6X12 / 6X12 SCREW	T0316012	1
3	ARANDELA 6,5X20X1.5 / 6,5X20X1.5 WASHER	T4006020	1
4	ARANDELA / WASHER	Y00.25404709	1
5	CLIP SEEGER D15E UNI3653 MORINI 50 / MORINI 50 D15E UNI3653 CIRCLIP	Y00.773366	1
6	CLIP SEEGER D16E UNI3653 / D16E UNI3653 CIRCLIP	Y00.773357	1
7	MUÑEQUILLA PPM / KICKSTART BASE PPM	MIE500126061	1
8	PIÑON ARRANQUE MORINI 50 / MORINI 50 STARTING GEAR	Y00.773359	1
9	TRINQUETE ARRANQUE / STARTER STOPPER PLATE	Y00.237116	1
11	ARANDELA / WASHER	Y00.164223	1
12	TORNILLO / SCREW	Y00.773346	1
13	DISTANCIADOR MUELLE ARRANQUE MORINI 50 / MORINI 50 SPRING SPACER	Y00.773364	1
14	MUELLE ARRANQUE MORINI 50 / MORINI 50 START. SHAFT RETURN SPRING	Y00.773363	1
15	SEEGER MUELLE ARRANQUE MORINI 50 / MORINI 50 SLEEVE SPRING	Y00.773362	1
16	PIÑON DESPLAZABLE EJE ARRANQUE MORINI 50 / MORINI 50 STARTING SLEEVE	Y00.773361	1
17	TORICA EJE ARRANQUE MORINI 50 / MORINI 50 STARTER SHAFT O-RING	Y00.773367	1
18	EJE ARRANQUE MORINI 50 / MORINI 50 STARTER SHAFT	Y00.773354	1
19	COJINETE AGUJAS K 16X20X10 / K 16X20X10 ROLLER CAGE	Y00.773360	1
21	ADH. TAPA EMBRAGUE / CLUTCH COVER STICKER	PU000138006	1



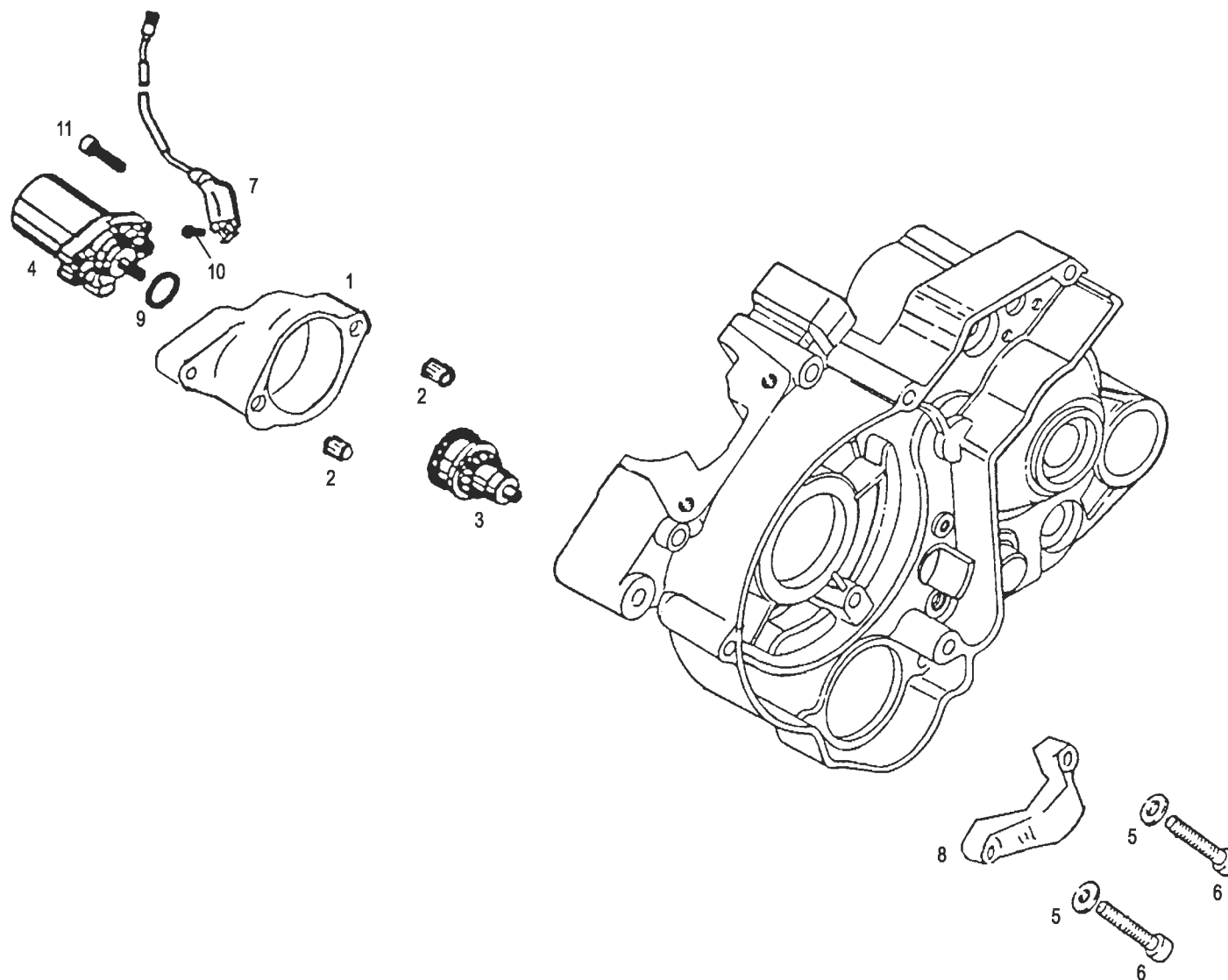
Nº	DESCRIPCIÓN / DESCRIPTION	TXT ROOKIE 05	Cant.
1	ULS 6X30 / 6X30 ULS BOLT	T0506030	3
2	ULS 6X25 / 6X25 ULS BOLT	T0506025	10
3	TAPA EMBRAGUE EC50 / EC50 CLUTCH COVER	MIE500132001	1
4	TAPA VOLANTE EC50 / EC50 IGNITION COVER	MIE500110004	1
5	TAPON NIVEL ACEITE / OIL LEVEL PLUG	Y00107542	1



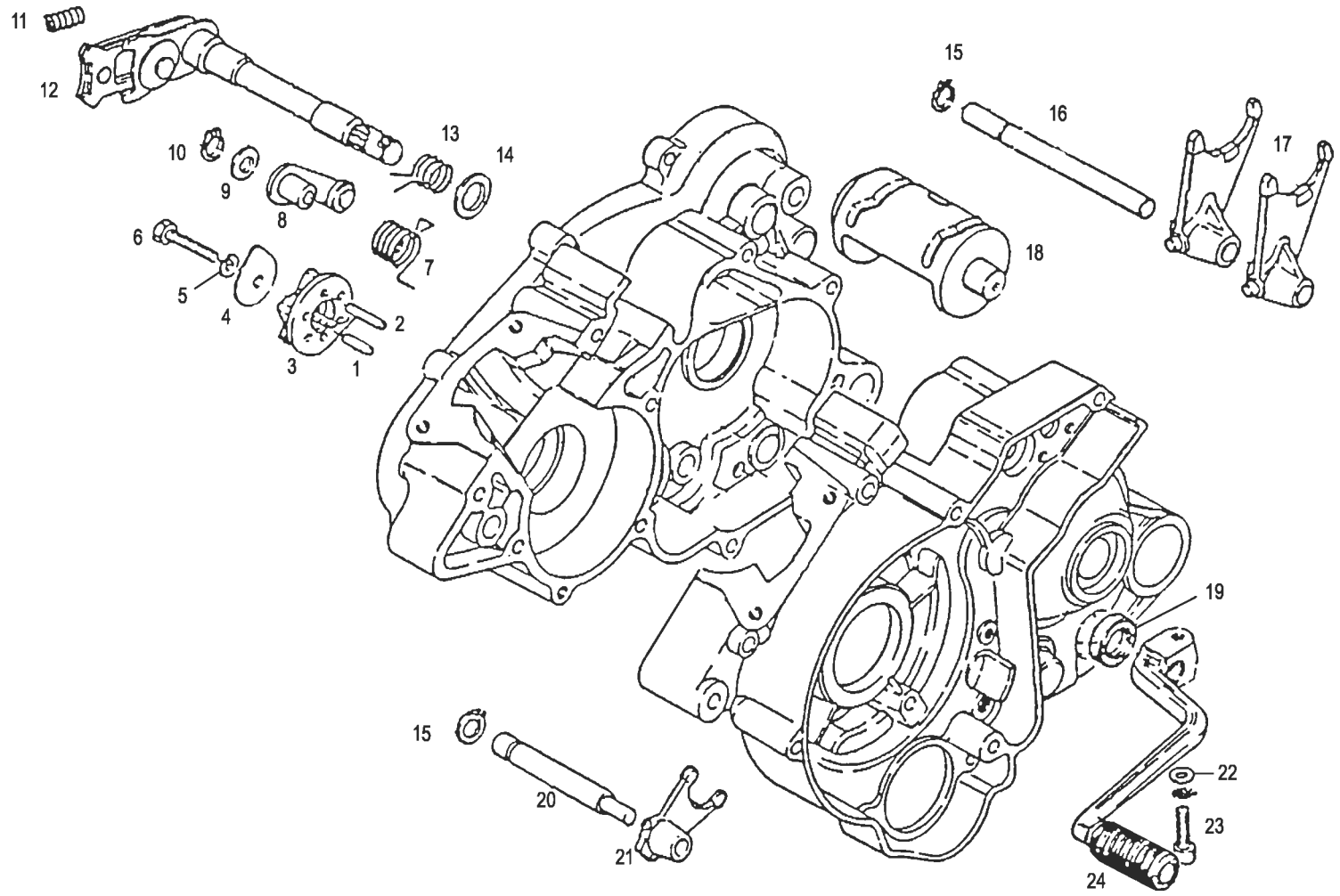




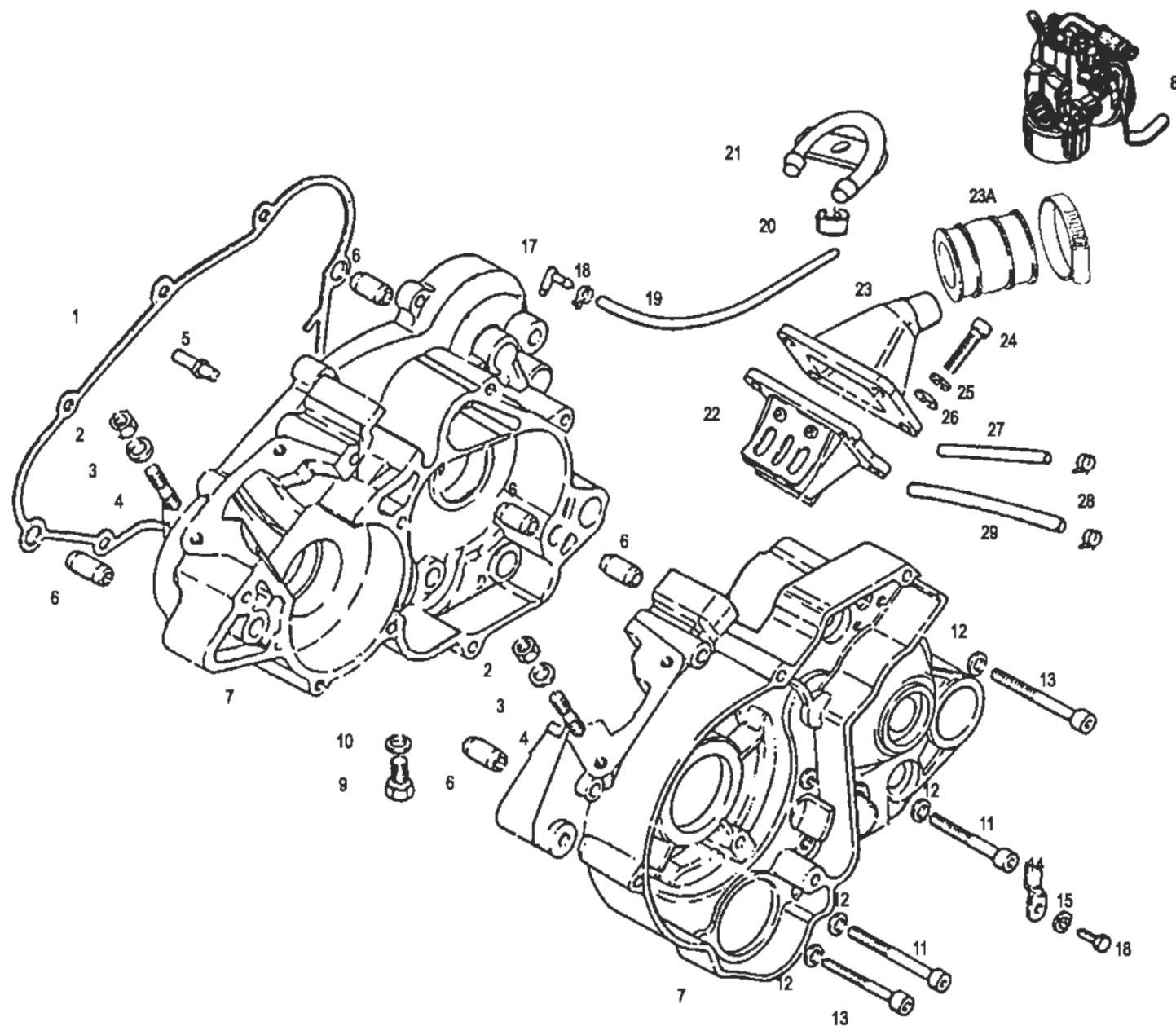
Nº	DESCRIPCIÓN / DESCRIPTION	TXT ROOKIE 05	Cant.
1	ARANDELA / WASHER	Y00.164221	1
2	TORNILLO 6X10 / 6X10 SCREW	Y00.294082	1
3	TORNILLO 5X25 / 5X25 SCREW	Y00.291961	3
4	ABRAZADERA D.16 / D.16 CLAMP	Y00.151019	1
5	TUBO AGUA A CILINDRO MORINI 50 / MORINI 50 WATER DELIVERY PIPE TO CYLINDER	Y00.277114	1
6	ABRAZADERA D.18 / D.18 CLAMP	Y00.151020	1
7	TAPA BOMBA AGUA / PUMP CASING	Y00.120679	1
8	EJE BOMBA AGUA MORINI 50 / MORINI 50 WATER PUMP DRIVE SHAFT	Y00.101197	1
9	CHAVETA EJE BOMBA AGUA MORINI 50 / MORINI 50 PUMP DRIVE GEAR PIN	Y00.268153	1
10	JUNTA TAPA BOMBA AGUA MORINI 50 / MORINI 50 CASING GASKET	Y00.164220	1
11	RETEN BOMBA AGUA MORINI 50 / MORINI 50 WATER PUMP SEAL	Y00.106039	1
12	ARANDELA 8X16X0.5 / 8X16X0.5 WASHER	Y00.25409505	2
13	PIÑÓN BOMBA AGUA MORINI 50 / MORINI 50 PUMP DRIVE GEAR	Y00.181225	1
14	ARANDELA TOPE 4M MORINI 50 / MORINI 50 4M CUP WASHER	Y00.268154	1
15	TURBINA BOMBA AGUA MORINI 50 / MORINI 50 WATER PUMP IMPELLER	Y00.167031	1
16	TAPA EMBRAGUE / CLUTCH COVER	MIE500132001	1



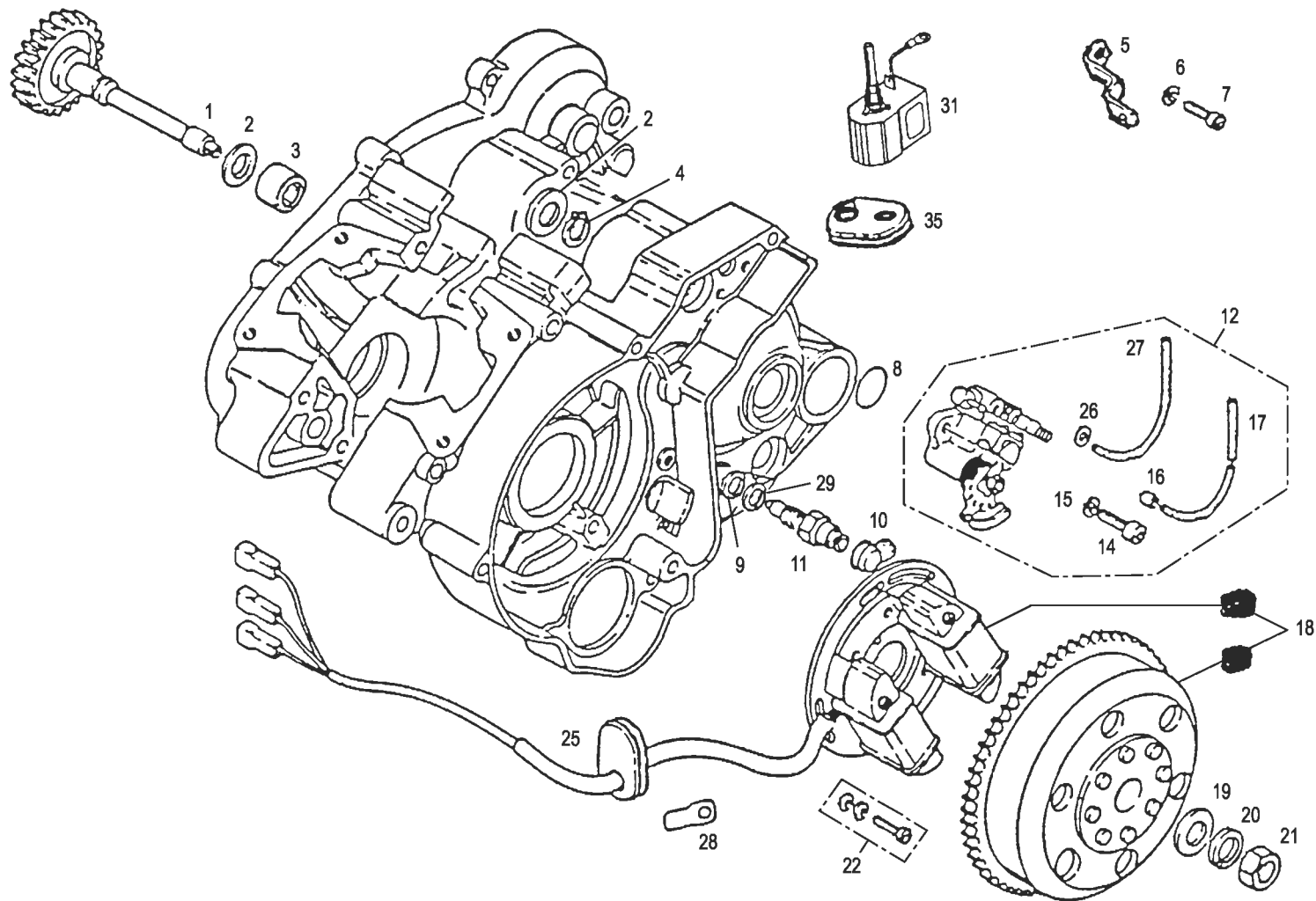
Nº	DESCRIPCIÓN / DESCRIPTION	TXT ROOKIE	Cant.
1	SOPORTE MOTOR ARRANQUE / STARTING MOTOR SUPPORT	Y00.120694	1
2	CENTRADOR / LOCATING PIN	Y00.167053	2
3	PIÑÓN ARRANQUE / PINION GEAR ASSY	Y00.250036	1
4	MOTOR ARRANQUE / COMPLETE STARTER MOTOR	Y00.200085	1
5	ARANDELA PLANA 12,5X6,4X1,6 / 12,5X6,4X1,6 LOW WASHER	Y00.254231	2
6	TORNILLO ALLEN 6X35 / 6X35 ALLEN SCREW	T0306035	2
7	CABLEADO ALARGO MOTOR ARRANQUE / WIRING	Y00.141306	1
8	SOPORTE / BENDIX SUPPORT	Y00.260110	1
9	TORICA 19,3X2,4 / 19,3X2,4 O'RING	Y00.107027	1
10	TORNILLO 4X6 / 4X6 SCREW	Y00.141908	1
11	TORNILLO 6X22 / 6X22 SCREW	Y00.291985	1



Nº	DESCRIPCIÓN / DESCRIPTION	ROJO / RED	Cant.
1	RODILLO MOTOR MORINI 50 / MORINI 50 ROLLER FOR GEAR STOPPER PLATE	Y00.773342	1
2	RODILLO MOTOR MORINI 50 / MORINI 50 ROLLER FOR GEAR STOPPER PLATE	Y00.773341	5
3	DISCO RETENEDOR MORINI 50 / MORINI 50 GEAR STOPPER PLATE	Y00.135048	1
4	ARANDELA DISCO RETENEDOR MORINI 50 / MORINI 50 ROLLER HOLDING WASHER	Y00.773343	1
6	TORNILLO M5X25 / M5X25 SCREW FULL THREAD	Y00.294065	1
7	MUELLE MORINI 50 / MORINI 50 GEAR STOPPER LEVER SPRING	Y00.201124	1
8	FIJADOR MARCHAS MORINI 50 / MORINI 50 GEAR STOPPER LEVER WITH P.I.	Y00.190043	1
9	ARANDELA / LEVER HOLDER WASHER	Y00.254141	1
10	ANILLO SEEGER D8 E DIN 471 MORINI 50 / MORINI 50 D8 E DIN 471 CIRCLIP	Y00.105030	1
11	MUELLE MORINI 50 / MORINI 50 RATCHET PAWL SPRING	Y00.201125	1
12	EJE SELECTOR COMPLETO MORINI 50 / MORINI 50 COMPLETE GEAR SELECTOR	Y00.260063	1
13	MUELLE FIJADOR MARCHAS MORINI 50 / MORINI 50 SHIFTER PLATE RETURN SPRING	Y00.201126	1
14	ARANDELA 13X22X0.5 / 13X22X0.5 WASHER	Y00.25410805	1
15	CLIP SEEGER D9 UNI7435 MORINI 50 / MORINI 50 D9 UNI7435 CIRCLIP FOR ROD SHOULDER	Y00.105046	2
16	EJE HORQUILLA LARGO MORINI 50 / MORINI 50 FORK ROD	Y00.107543	1
17	HORQUILLA CAMBIO MORINI 50 / MORINI 50 GEAR CONTROL FORK	Y00.154024	2
18	DESMODROMICO MORINI 50 / MORINI 50 DESMODROMIC SHAFT	Y00.101198	1
19	RETEN PEDAL CAMBIO MORINI 50 / MORINI 50 GEAR SHIFTER SHAFT SEAL	Y00.106042	1
20	EJE HORQUILLA CORTO MORINI 50 / MORINI 50 GEARSHIFT FORK SPINDLE	Y00.101184	1
21	HORQUILLA 5-6 MORINI 50 / MORINI 50 GEAR CONTROL FORK 5-6 SPINDLE	Y00.154025	1
22	ARANDELA ESTRIADA DE6 / DE6 WASHER	T4006511	1
23	HEXAGONAL 6X20 / 6X20 HEXAGONAL SCREW	T0106020	1
24	PEDAL CAMBIO / GEAR PEDAL	MIE500136026	1

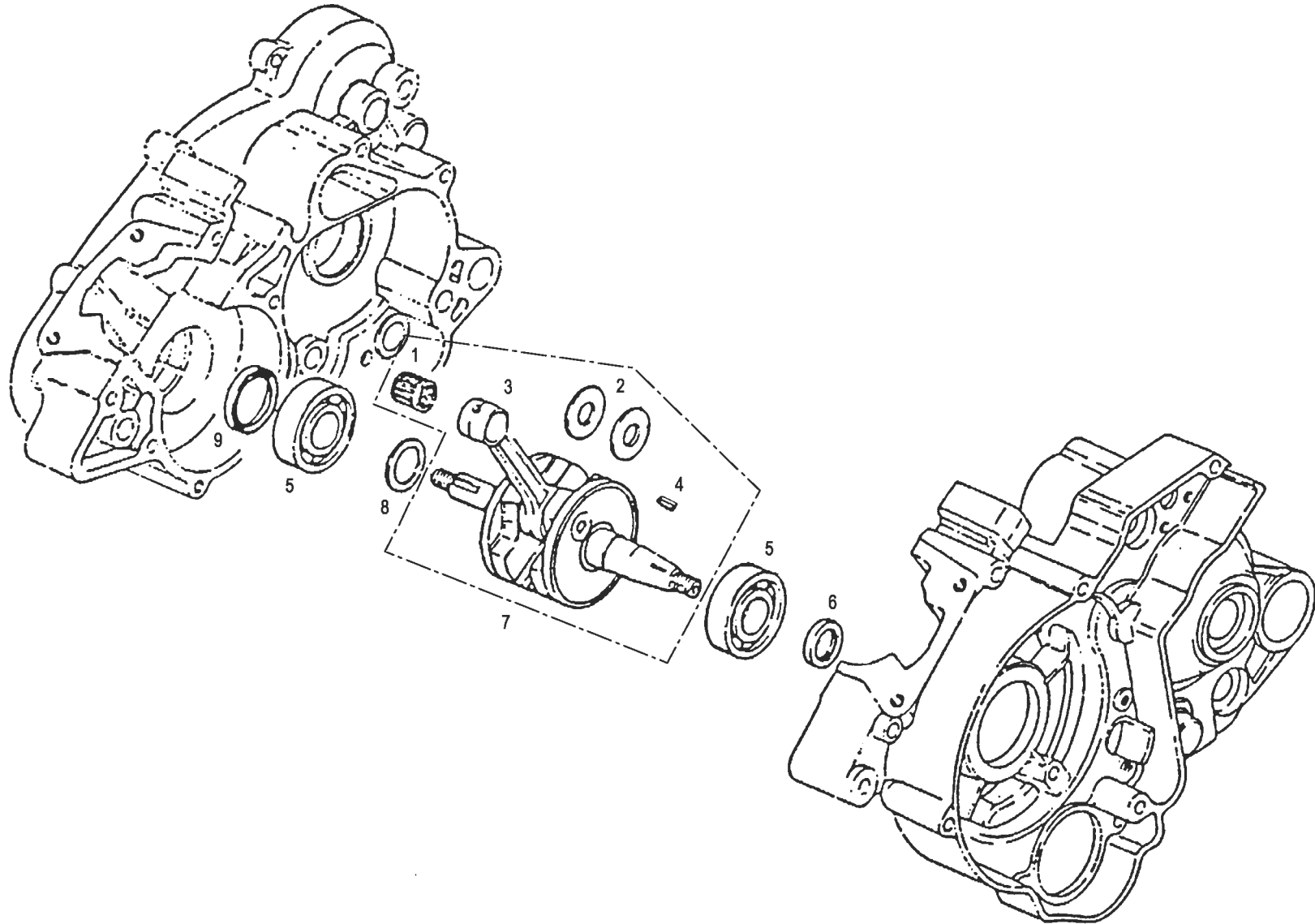


Nº	DESCRIPCIÓN / DESCRIPTION	TXT ROOKIE 05	Cant.
1	JUNTA CARTER MORINI 50 / MORINI 50 CLUTCH COVER GASKET	Y00.164219	1
2	TUERCA CILINDRO / CYLINDER HEAD NUT	Y00.131024	4
3	ARANDELA PLANA CILINDRO / FLAT WASHER	Y00.254165	4
4	ESPÁRRAGO FIJACIÓN CILINDRO / CYLINDER FIX. STUD BOLT	Y00.773307	4
5	PERNO CARTER / GEAR STOPPER LEVER PIN	Y00.231099	1
6	CASQUILLO CARTER / CRANKCASE COUPLING	Y00.167026	4
7	JUEGO CARTER COMPLETO MOTOR EC 50 / MOTOR EC 50 CRANKCASE SET	Y00.120700	1
8	CARBURADOR SHA 14/12 N MORINI 50 / MORINI 50 SHA 14/12 N CARBURETOR	MRT500190000	1
9	TORNILLO M8X10 MORINI 50 / MORINI 50 M8X10 SCREW	Y00.294132	1
10	TORICA TAPON ACEITE MORINI 50 / MORINI 50 OIL DRAIN SEAL	Y00.164222	1
11	TORNILLO 6X11X1 / 6X11X1 SCREW	Y00.291992	5
12	ARANDELA PLANA / FLAT WASHER	Y00.254135	8
13	TORNILLO 6X45 / 6X45 SCREW	Y00.291990	5
14	SOPORTE CABLE VOLANTE / PLATE FOR FLYWHEEL CABLES	Y00.237100	1
15	JUNTA 5.5X11 / 5.5X11 GASKET	Y00.254151	1
16	TORNILLO / SCREW	Y00.296057	1
17	CONECTOR TUBO ACEITE A CARTER / OIL CONNECTION	Y00.251126	1
18	CLIP TUBO / CLAMP	Y00.151007	1
19	TUBO ACEITE / OIL BREATHER PIPE	Y00.277110	1
20	DISTANCIADOR / SPACER	Y00.136093	1
21	SOPORTE CARBURADOR / BRACKET FOR CARBURETOR	Y00.260074	1
22	CAJA LAMINAS COMPLETA MORINI 50 / MORINI 50 COMPLETE REED VALVE	Y00.290530	1
23	TUBERA CARBURADOR MORINI 50 / MORINI 50 CARBURETOR CONNECTION	MRT5001160411	1
23A	TUBERA ADMISIÓN GOMA / RUBBER CONNECTION	MRT500116131	1
24	ALLEN 6X35 / 6X35 ALLEN	T0306035	4
25	ARANDELA ELASTICA / ELASTIC WASHER	Y00.254238	4
26	JUNTA TORNILLO CAJA LAMINAS / SCREW GASKET	Y00.254153	4
27	TUBO CARBURADOR BY-PASS / CARBURETOR BY-PASS PIPE	Y00.277134	1
28	CLIP TUBO / CLAMP	Y00.151007	4
29	TUBO CARBURADOR BY-PASS / CARBURETOR BY-PASS PIPE	Y00.277134	1

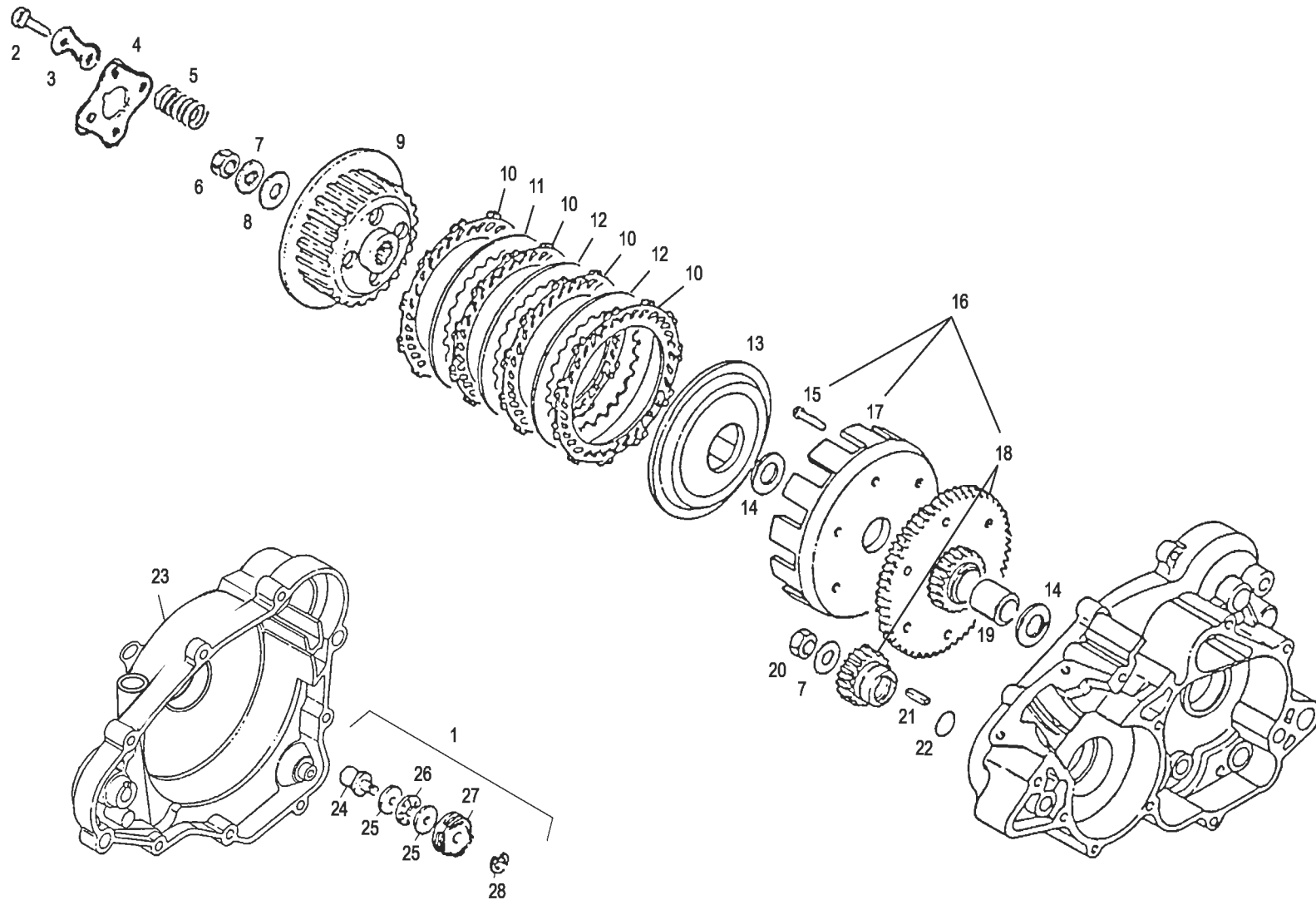




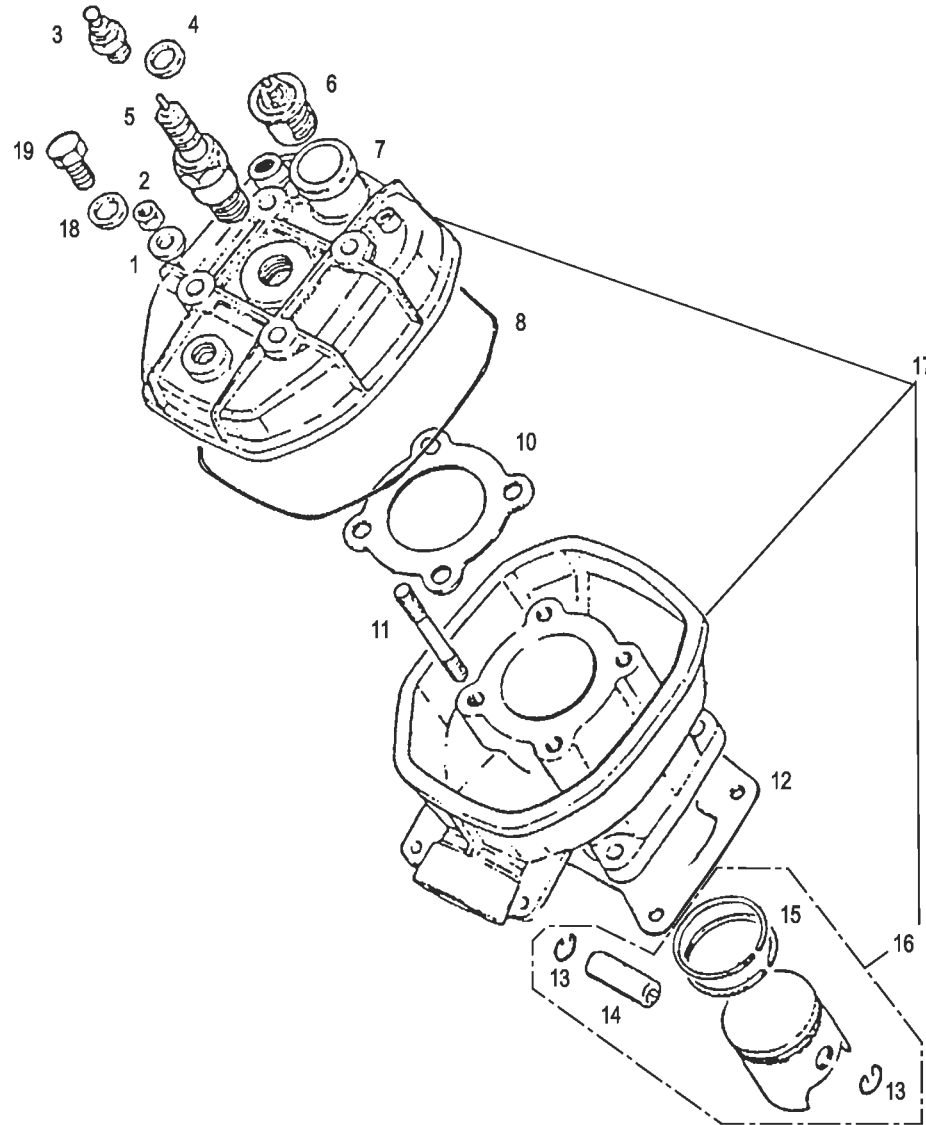
Nº	DESCRIPCIÓN / DESCRIPTION	TXT ROOKIE 05	Cant.
1	EJE Y PIÑÓN ARRANQUE / STARTER IDLE GEAR	Y00.180017	1
2	ARANDELA / WASHER	Y00.25402605	4
3	DISTANCIADOR PIÑÓN ARRANQUE 12X16X10 / 12X16X10 LAY SHAFT CASE	Y00.161035	1
4	CLIP SEEGER D12 / D12 CIRCLIP	Y00.105006	1
5	PLACA RET.VOLANTE / CABLE RET. PLATE	Y00.237093	1
7	TORNILLO 5X16 / 5X16 SCREW	Y00.291957	1
9	ARANDELA / NEUTRAL SWITCH WASHER	Y00.164244	1
10	PROTECTOR INTERRUPTOR / NEUTRAL SWITCH PROTECTION CAP	Y00.127257	1
11	INTERRUPTOR NEUTRAL / NEUTRAL SWITCH	Y00.186018	1
12	BOMBA ENGRASE MORINI 50 / MORINI 50 GREASE PUMP	Y00.20007001	1
15	ARANDELA D 5 / D 5 WASHER	Y00.254012	1
16	ABRAZADERA D.18 / D.18 WASHER	Y00.151020	1
18	VOLANTE 6M DUCATI ENDURO MORINI 50 / MORINI 50 6M DUCATI ENDURO FLYWHEEL	Y00.290139	1
19	ARANDELA VOLANTE MORINI 50 / MORINI 50 FLYWHEEL WASHER	Y00.254168	1
20	ARANDELA D10 ZN G / D10 ZN G WASHER	Y00.254155	1
21	TUERCA VOLANTE MAGNETICO MORINI 50 / MORINI 50 FLYWHEEL NUT	Y00.133040	1
22	TORNILLO M4X10 / M4X10 SCREW	Y00.296032	3
28	PLACA RET.VOLANTE / CABLE RET. PLATE	Y00.237093	1
31	BOBINA 85W 432399000 / 432399000 85W TRANSDUCER	Y00.141735	1
35	GOMA PASACABLES MORINI 50 / MORINI 50 6M MIXER FAIRLEAD RUBBER	Y00.163063	1



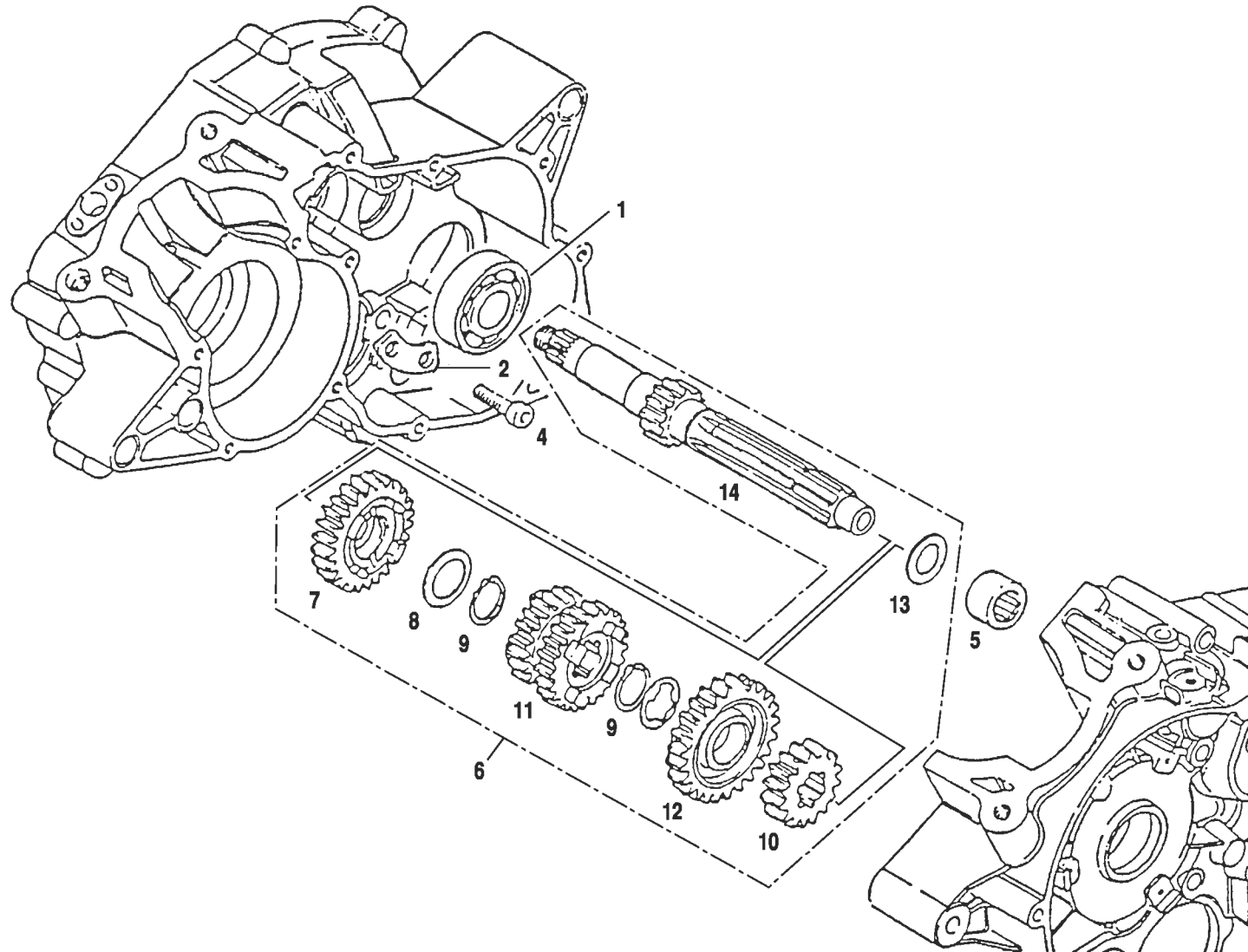
Nº	DESCRIPCIÓN / DESCRIPTION	TXT ROOKIE 05	Cant.
1	COJINETE AGUJAS KBK 12X15X15 INA MORINI / KBK 12X15X15 CAGE	Y00.161024	1
2	ARANDELA DE REGLAJE CIGÜEÑAL / CONNECTING ROD THRUST WASHER	Y00.254125	2
3	BIELA CIGÜEÑAL / ROD	MIE500112100	1
4	CHAVETA PIÑON MOTOR MORINI 50 / MORINI 50 ENGINE SPROCKET KEY	Y00.196022	1
5	COJINETE CIGÜEÑAL 17X40X12C5 MORINI 50 / MORINI 50 17X40X12C5 CRANKSHAFT BEARING	Y00.126027	2
6	RETEN CIGÜEÑAL MORINI 50 / MORINI 50 FLYW. DRIVE SHAFT SEAL	Y00.106041	1
7	CIGÜEÑAL COMPLETO MORINI 50 / MORINI 50 COMPLETE CRACKSHAFT	Y00.100120	1
8	ARANDELA REGLAJE MORINI 50 / MORINI 50 WASHER CLUTCH CASING	Y00.254126	1
9	RETEN CIGÜEÑAL MORINI 50 / MORINI 50 CLUTCH DRIVE SHAFT SEAL	Y00.106040	1



Nº	DESCRIPCIÓN / DESCRIPTION	TXT ROOKIE 05	Cant.
1	GRUPO EMPUJADOR EMBRAGUE / COMPLETE THRUST WASHER	Y00.250061	1
2	TORNILLO 6X18 / 6X18 PLATE FIXING SCREW	Y00.294087	4
3	TOPE DE SEGURIDAD MORINI 50 / MORINI 50 SAFETY PLATE	Y00.237082	2
4	PLANCHA SUJECION MUELLE MORINI 50 / MORINI 50 SPRING RETAINING PLATE	Y00.237081	1
5	MUELLE EMBRAGUE MORINI 50 / MORINI 50 CLUTCH SPRING	Y00.201123	4
6	TUERCA M10 / M10 NUT	Y00.131003	1
7	ARANDELA / WASHER	Y00.254138	2
8	ARANDELA REGLAJE 10X25 / 10X25 WASHER	Y00.254159	1
9	CUBO EMBRAGUE MORINI 50 / MORINI 50 CLUTCH INNER HUB	Y00.206059	1
10	DISCO EMBRAGUE FORRADO MORINI 50 / MORINI 50 DRIVING FRICTION PLATE	Y00.135049	4
11	DISCO EMBRAGUE MIXTO MORINI 50 / MORINI 50 DRIVEN SPRING PLATE	Y00.135051	1
12	DISCO EMBRAGUE HIERRO MORINI 50 / MORINI 50 DRIVEN PLATE	Y00.135050	2
13	PRENSA EMBRAGUE MORINI 50 / MORINI 50 CLUTCH PRESSURE PLATE	Y00.268155	1
14	ARANDELA 15X28X0.8 / 15X28X0.8 WASHER	Y00.25406408	3
15	REMACHE / RIVET	Y00.257084	6
16	CTO.CORONA CAMPANA EMB. MORINI 50 / MORINI 50 COM. PRIMARY GEAR PAIR	Y00.270072	1
17	CAMPANA EMBRAGUE / CLUTCH BELL	Y00.127237	1
18	JUEGO PIÑON CAMPANA EMBRAGUE / PRIMARY GEAR PAIR	Y00.270073	1
19	DISTANCIADOR EJE PRIMARIO MORINI 50 / MORINI 50 PRIMARY GEAR SPACER	Y00.136087	1
20	TUERCA M10X1.5 H8 8.8ZN MORINI 50 / MORINI 50 M10X1.5 H8 8.8ZN NUT	Y00.131023	1
21	CHAVETA PIÑON MOTOR MORINI 50 / MORINI 50 ENGINE SPROCKET KEY	Y00.196022	1
22	TORICA PIÑON MORINI 50 / MORINI 50 SEAL FOR ENGINE SPROCKET	Y00.107025	1
23	TAPA EMBRAGUE / CLUTCH COVER	MIE500132001	1
24	EMPUJADOR EMBRAGUE / CLUTCH PUSHER	MIE500132014	1
25	ARANDELA REG. 6X20 / 6X20 WASHER	MIT50032058	1
26	COJINETE AXIAL / AXIAL BEARING	MIT50032058	1
27	KIT REPARACIÓN / FIX KIT	MO1059000	1
28	CLIP / CLIP	MIE500116024	1

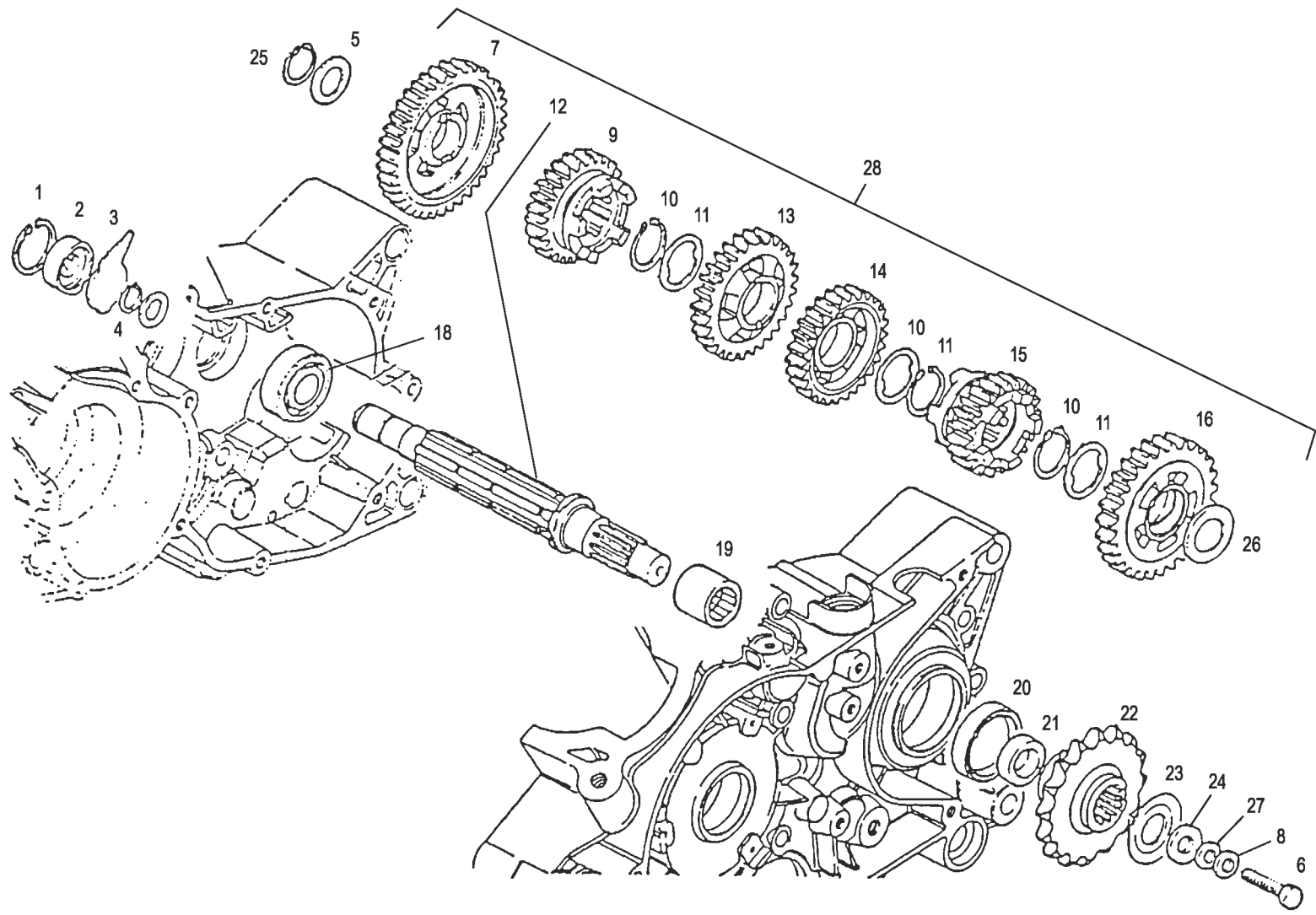


Nº	DESCRIPCIÓN / DESCRIPTION	TXT ROOKIE 05	Cant.
1	ARANDELA PLANA CILINDRO / FLAT WASHER	Y00.254165	4
2	TUERCA CILINDRO / CYLINDER HEAD NUT	Y00.131024	4
3	TORNILLO DESVAPORIZADOR / WATER DRAIN SCREW	Y00.296066	1
4	JUNTA TAPON / DISCHARGE GASKET	Y00.164175	1
5	BUJIA CHAMPION N2C / CHAMPION N2C SPARK PLUG	BT27934000	1
6	TERMOSTATO MORINI 50 / MORINI 50 THERMOSTAT	Y00.277104	1
7	CULATA MORINI 50 / MORINI 50 CYLINDER HEAD	Y00.275092	1
8	TORICA MOTOR MORINI 50 / MORINI 50 SEAL	Y00.107028	1
10	JUNTA CILINDRO MORINI 50 / MORINI 50 CYLINDER HEAD GASKET	Y00.164235	1
11	ESPARRAGO CULATA / STUD BOLT	Y00.235041	4
12	JUNTA BASE CILINDRO 0.3 / CYL. BASE GASKET THK 0.3	Y00.164234	1
12	JUNTA BASE CILINDRO 0.4 / CYL. BASE GASKET THK 0.4	Y00.164236	1
12	JUNTA BASE CILINDRO 0.5 / CYL. BASE GASKET THK 0.5	Y00.164237	1
12	JUNTA BASE CILINDRO 0.6 / CYL. BASE GASKET THK 0.6	Y00.164238	1
13	CLIP BULÓN / PISTON PIN CLIP	Y00.104048	2
14	BULÓN PISTON / PISTON PIN	Y00.268158	1
15	JUEGO AROS PISTON MORINI 50 / MORINI 50 PISTON RING SET	Y00.261082	2
16	PISTÓN COMPLETO MORINI 50 / MORINI 50 COMPLETE PISTON	Y00.230174	1
17	CTO.CILINDRO PISTÓN MORINI 50 / MORINI 50 COMP. CYLINDER+PISTON	MRT500116022	1
18	JUNTA TORNILLO CULATA MORINI 50 / MORINI 50 GASKET	Y00.773317	1
19	TORNILLO CULATA MORINI 50 / MORINI 50 SCREW	Y00.773344	1





Nº	DESCRIPCIÓN / DESCRIPTION	TXT ROOKIE 05	Cant.
1	COJINETE 15X35X11 6202 C3 MORINI 50 / MORINI 50 15X35X11 6202 C3 BEARING	Y00.126029	1
2	PLATINA COJINETE MORINI 50 / MORINI 50 BEARING SHOULDER PLATET	Y00.237080	1
4	TORNILLO 5X16 / TCE5X16 SCREW	Y00.291957	2
5	COJINETE BK1210 MORINI 50 / PRIMARY SHAFT CASE 12X16X10	Y00.161036	1
6	CTO.EJE PRIMARIO 6M MORINI 50 / MORINI 50 6M COMPLETE PRIMARY SHAFT	Y00.100125	1
7	PIÑÓN 5 PRIMARIO / 5TH SPEED GEAR	Y00.181229	1
8	ARANDELA / GROOVED WASHER	Y00.254147	2
9	CLIP SEEGER / SNAP RING	Y00.104044	2
10	PIÑÓN 2 PRIMARIO / 2ND SPEED GEAR	Y00.181227	1
11	PIÑÓN 3-4 PRIMARIO / SLIDING GEAR FOR 3RD – 4TH SPEED	Y00.181228	1
12	PIÑÓN 6 PRIMARIO / 6TH SPEED GEAR	Y00.181230	1
13	JUNTA / WASHER	Y00.25404108	1
14	EJE PRIMARIO / PRIMARY SHAFT, 1 ST SPEED	Y00.101182	1



Nº	DESCRIPCIÓN / DESCRIPTION	TXT ROOKIE 05	Cant.
1	SEEGER INTERNO D.28 MORINI 50 / MORINI 50 D.28 SEEGER RING	Y00.104046	1
2	RETÉN MORINI 50 / MORINI 50 OIL DRIP PAN (RH CASING)	Y00.257083	1
3	LAMINA MORINI 50 / MORINI 50 OIL DRIP PLATE	Y00.196021	1
4	CLIP SEEGER / SEC. SHAFT CIRCLIP	Y00.773337	1
5	ARANDELA DE REGLAJE / SEC. SHAFT WASHER	Y00.773336	2
6	TORNILLO 8X25 MORINI 50 / MORINI 50 8X25 SCREW	Y00.294140	1
7	PIÑÓN 1 SECUNDARIO / 1ST SPEED GEAR	Y00.181231	1
8	ROSETTA ELASTICA MORINI 50 / MORINI 50 SPRING WASHER	Y00.254149	1
9	PIÑÓN 5 SECUNDARIO / SLIDING GEAR FOR 5TH SPEED	Y00.181235	1
10	CLIP SEEGER / SNAP RING	Y00.104044	3
11	ARANDELA DE REGLAJE / INDENTED WASHER	Y00.773330	3
12	EJE SECUNDARIO / SECONDARY SHAFT	Y00.101183	1
13	PIÑÓN 3 SECUNDARIO / 3RD SPEED GEAR	Y00.181233	1
14	PIÑÓN 4 SECUNDARIO / 4TH SPPED GEAR	Y00.181234	1
15	PIÑÓN 6 SECUNDARIO / SLIDING GEAR FOR 6TH SPEED	Y00.181236	1
16	PIÑÓN 2 SECUNDARIO / 2ND SPEED GEAR	Y00.181232	1
18	COJINETE 12X32X10 C3 EJE SECUNDARIO / 12X32X10 C3 SEC. SHAFT BEARING	Y00.126028	1
19	COJINETE HK2016V MORINI 50 / MORINI 50 HK2016V SECONDARY SHAFT CASE	Y00.161037	1
20	ARANDELA 19X30X6.5 / 19X39X6.5 SEAL	Y00.106043	1
21	DISTANCIADOR MORINI 50 / MORINI 50 SPACER	Y00.136088	1
22	PIÑÓN CADENA Z12 MORINI 50 / MORINI 50 Z 12 CHAIN SPROCKET	Y00.232593	1
23	ROSETA PIÑÓN CADENA MORINI 50 / MORINI 50 SPRING WASHER	Y00.254148	1
24	TOPE PIÑÓN MORINI 50 / MORINI 50 6M CUP	Y00.268157	1
25	CLIP SEEGER / RETAINING RING, SEC. SHAFT BEARING	Y00.105045	1
28	CONJUNTO EJE SECUNDARIO / COMPLETE 6M SECONDARY SHAFT	Y00.100124	1

# DESPIECE PART LIST

## TXT ROOKIE

### 2005

**GAS GAS**

RECOMIENDA EL USO DE ACEITE:



Ref.: PUO10638013

**Fecha de impresión: Julio 2005**

Los componentes aquí expuestos y referenciados se basan en los datos existentes en la fecha de impresión de este manual. GAS GAS Motos, S.A. se reserva el derecho de efectuar cambios y/o modificaciones sin previo aviso.

**DESPIECE  
PART LIST**

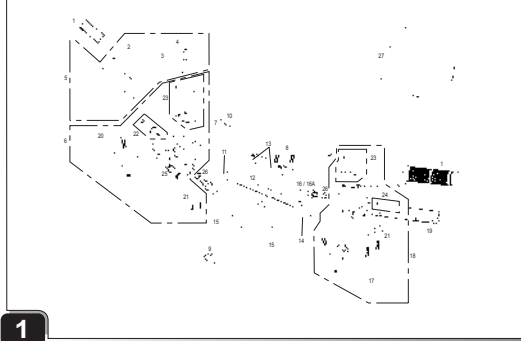
**TXT ROOKIE**

**2005**

**RAAGGAAK**

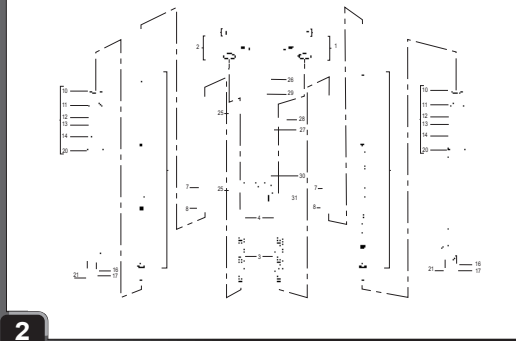
# CHASIS

Manillar / Handlebar **GAS GAS** TXT ROOKIE 05



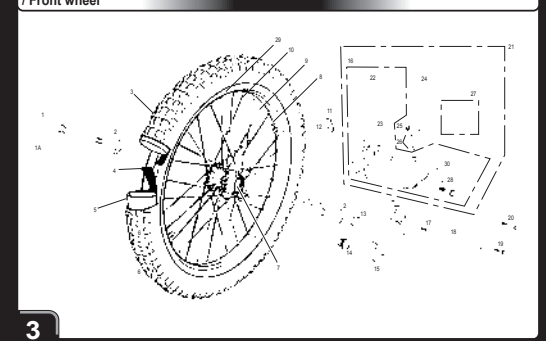
1

Suspensión / Front fork **GAS GAS** TXT ROOKIE 05



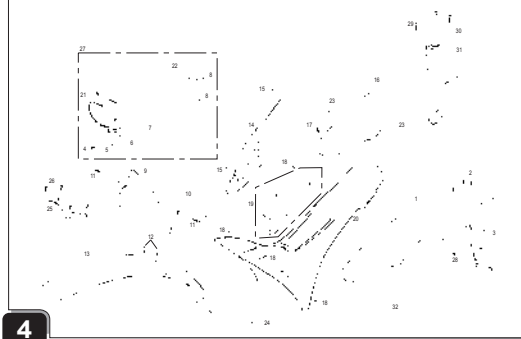
2

Rueda delantera / Front wheel **GAS GAS** TXT ROOKIE 05



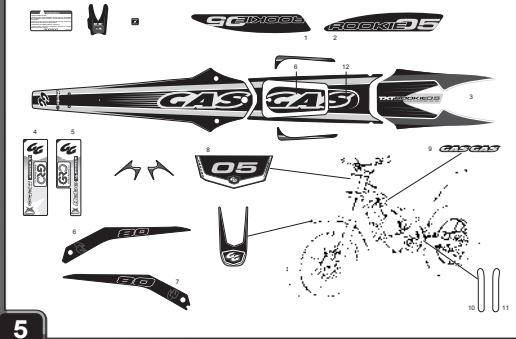
3

Plásticos / Plastics **GAS GAS** TXT ROOKIE 05



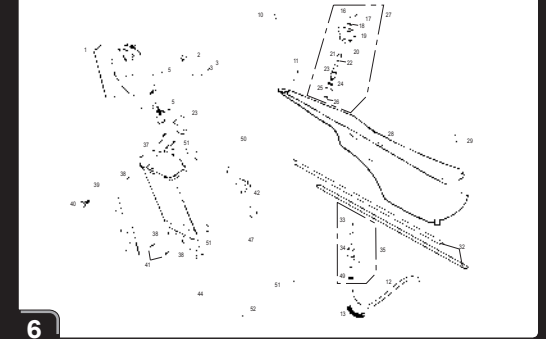
4

Adhesivos / Stickers **GAS GAS** TXT ROOKIE 05



5

Depósito / Fuel tank **GAS GAS** TXT ROOKIE 05

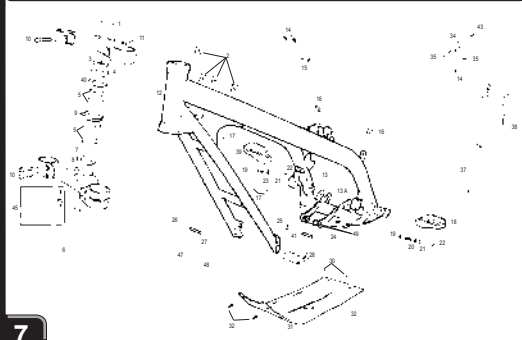


6

# DESPIECE

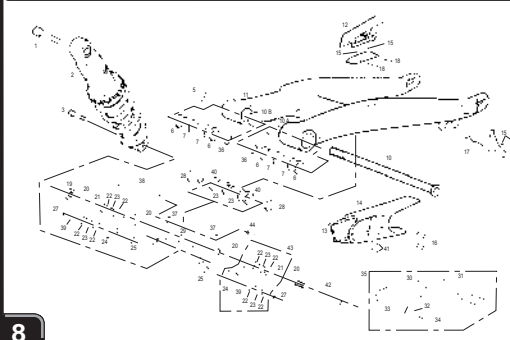
# FRAME

Chasis / Frame **GAS GAS** TXT ROOKIE 05



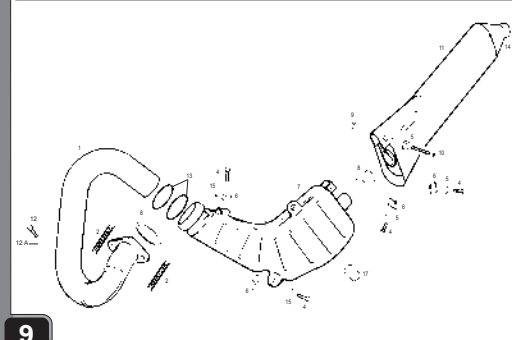
7

Basculante / Swingarm **GAS GAS** TXT ROOKIE 05



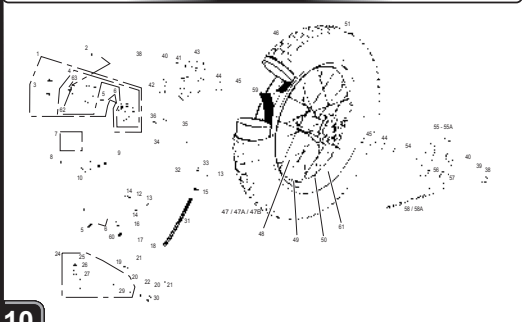
8

Escape / Exhaust **GAS GAS** TXT ROOKIE 05



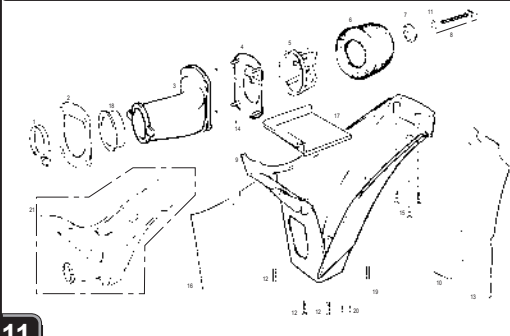
9

Rueda trasera / Rear wheel **GAS GAS** TXT ROOKIE 05



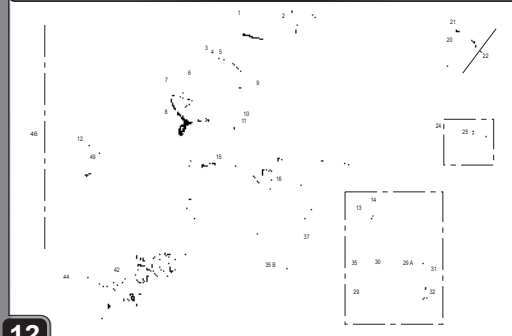
10

Caja filtro / Filter box **GAS GAS** TXT ROOKIE 05



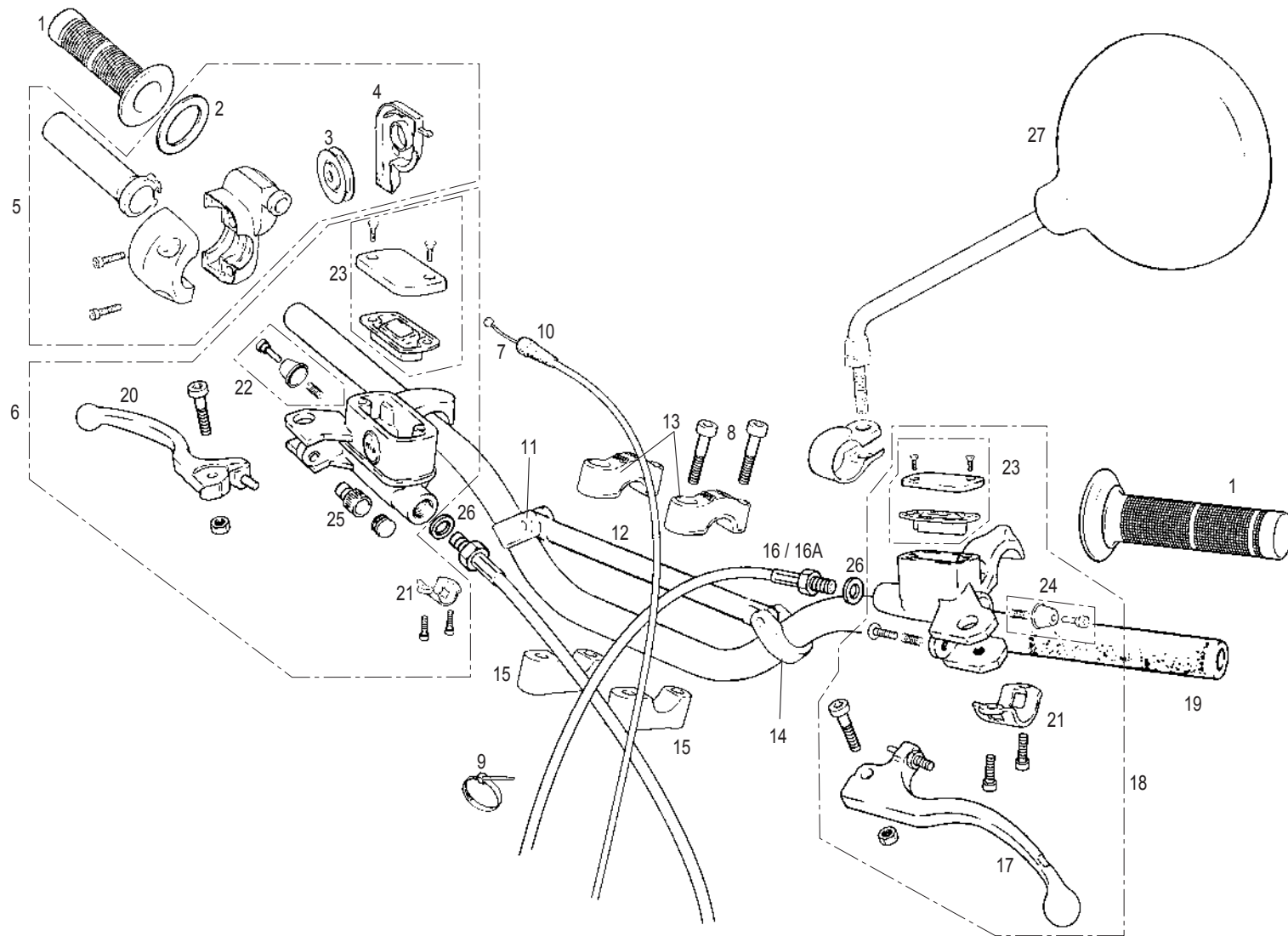
11

Eléctrico / Electric **GAS GAS** TXT ROOKIE 05



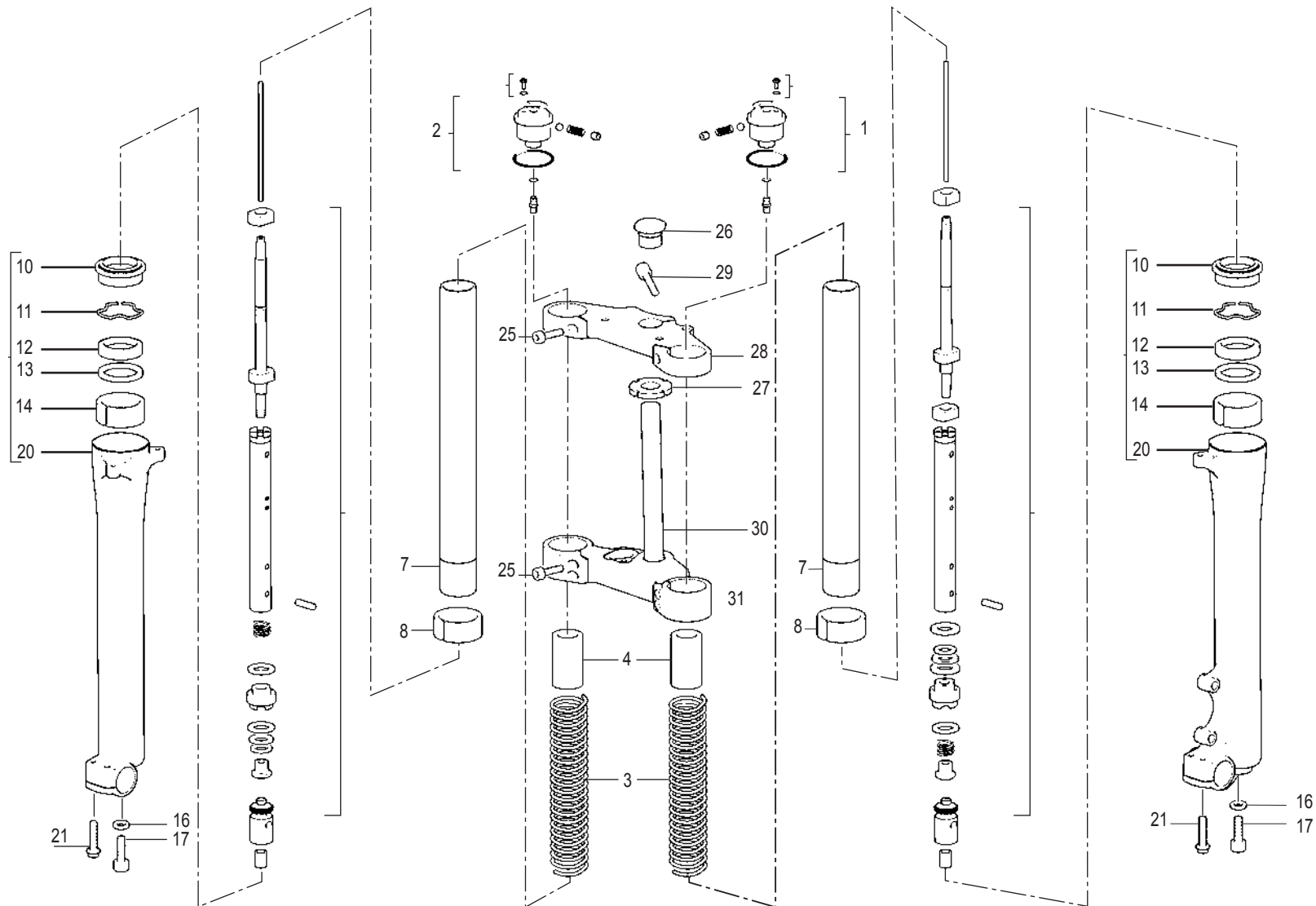
12

# PART LIST





Nº	DESCRIPCIÓN / DESCRIPTION	TXT ROOKIE 05	Cant.
1	JUEGO EMPUÑADURAS TRIAL / HANDLEBAR GRIP (PAIR)	BT27936002	1
2	ARANDELA MANDO GAS / TWIST GRIP WASHER	BT27922078	1
3	RODILLO MANDO GAS / TWIST GRIP ROLLER	E119000	1
4	TAPA MANDO GAS / TWIST GRIP COVER	E140000	1
5	PUÑO MANDO GAS / CPT. TWIST GRIP	E100001	1
6	BOMBA FRENO DELANTERO / FRONT BRAKE PUMP	BT280222008	1
7	CABLE DE GAS / THROTTLE CABLE	BRT500124008	1
8	ALLEN 8X55 / 8X55 ALLEN SCREW	T0308055	4
9	BRIDA UNEX 4.8X20 / UNEX 4.8X20 CLAMP	BE25634009	1
10	GUARDAPOLVO PUÑO GAS / THROTTLE CABLE DUST COVER	G600000	1
11	SOP. BARRA SUJECIÓN MANILLAR DER. / RIGHT CROSSBRACE HANDLEBAR SUPPORT	BT27924015	1
12	BARRA SUJECIÓN MANILLAR / CROSSBRACE HANDLEBAR	B650003	1
13	BRIDA MANILLAR / HANDLEBAR CLAMP	BT27914012	1
14	SOP. BARRA SUJECIÓN MANILLAR IZQ. / LEFT CROSSBRACE HANDLEBAR SUPPORT	BT27924016	1
15	BRIDA INFERIOR MANILLAR / LOWER HANDLEBAR CLAMP	BT27914013	2
16	LATIGUILLO EMBRAGUE TRIAL / TRIAL CLUTCH TUBE	BT27722003	1
16A	RACORD ESPECIAL LATIGUILLO / SPECIAL RACORD TUBE	BT27722212	1
17	MANETA EMBRAGUE / CLUTCH LEVER	BT280222040	1
18	BOMBA EMBRAGUE ACEITE / CLUTCH PUMP	BT280022009	1
19	MANILLAR / HANDLEBAR ASSY.	BT27724001C	1
20	MANETA FRENO AJP 93 PLATA / BRAKE LEVER TRIAL	R390002PL	1
21	SOPORTE BOMBA EMBRAGUE / CLUTCH PUMP SUPPORT	BE250022211	2
22	KIT BOMBA FRENO / BRAKE PUMP SET	BT27722208	1
23	KIT TAPA BOMBA / COVER PUMP SET	BT280422210	2
24	KIT BOMBA EMBRAGUE / CLUTCH PUMP SET	BT280422209	1
25	CASQUILLO PULSADOR FRENO DELANTERO / PUSH BUTTON BUSHING	BT27922079	1
26	ARANDELA COBRE 10X14X1 / 10X14X1 WASHER	R330001	3
27	ESPEJO RETROVISOR / REAR VIEW MIRROR	L300760	2

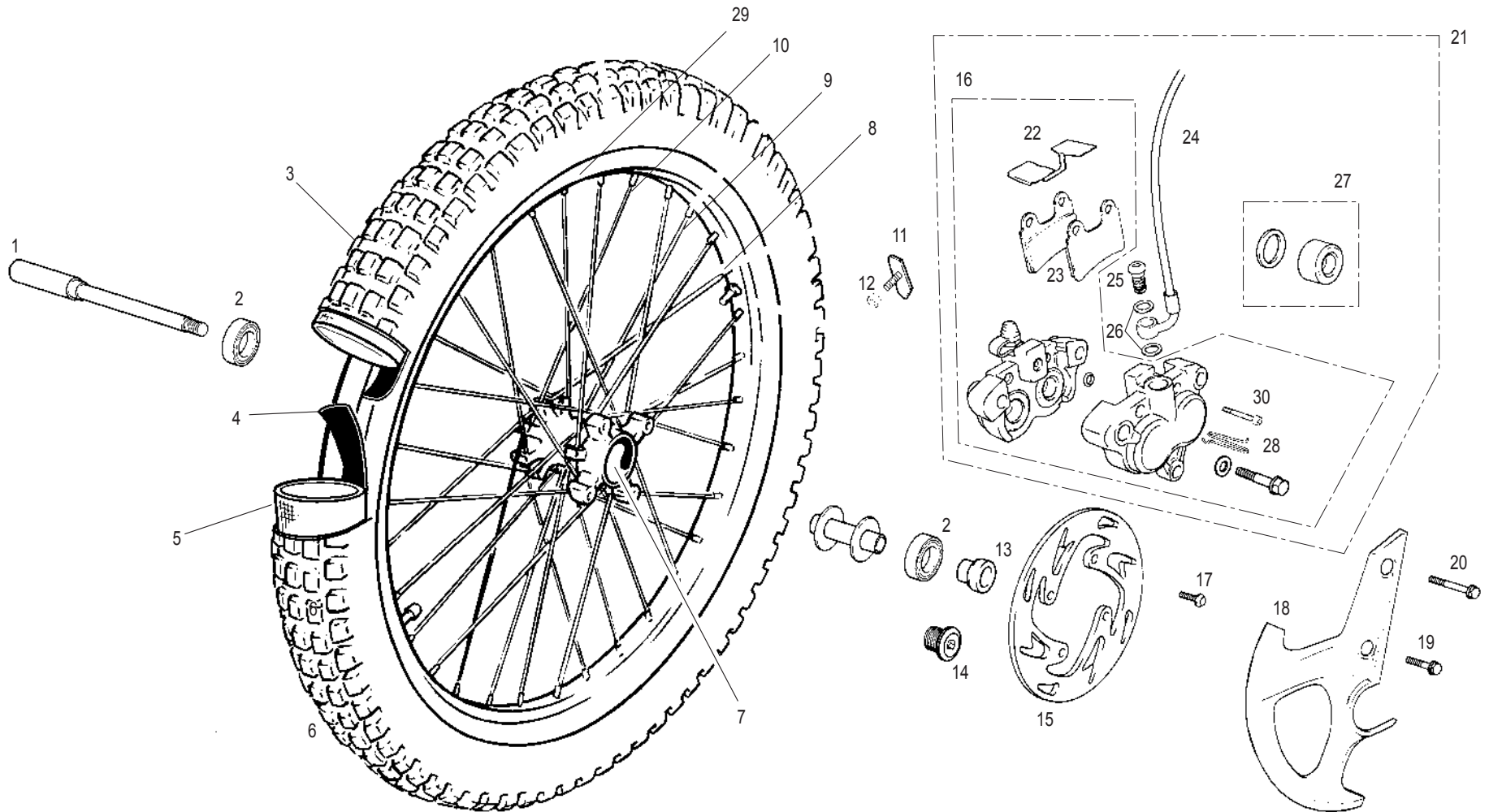


Nº	DESCRIPCIÓN / DESCRIPTION	TXT ROOKIE 05	Cant.
1	CTO. TAPÓN REGULACIÓN COMPRESIÓN / ADJUSTING COMPRESSION CAP	BT280314105	1
2	CTO. TAPÓN REGULACIÓN EXTENSIÓN / ADJUSTING RETURN CAP	BT280314106	1
3	MUELLE SUSPENSIÓN / FRONT FORK SPRING	BT280314108	2
4	TOPE PRECARGA AMORTIGUADOR / PRE-LOAD WASHER	BT280314148	2
5	REGULADOR HIDRÁULICO COMPR. / ADJUSTER TOP COMPRESSION	BT280314114	1
6	REGULADOR HIDRÁULICO EXT. / ADJUSTER TOP RETURN	BT280314115	1
7	BARRA SUSPENSIÓN / FRONT FORK INNER TUBE	BT280314110	2
8	GLACIER SUSPENSIÓN / GLACIER BUSHING	ST950212	2
9	CENTRAJE TUBO HIDRÁULICO / SPACER BUSH	BT280314219	2
10	GUARDAPOLVO / DUST SEAL	BT280314131	2
11	SEEGER SUSPENSIÓN TRIAL / TRIAL FRONT FORK SEEGER	BT280114211	2
12	RETÉN / SEAL	ST950220	2
13	ARANDELA SUPERIOR TRIAL / TRIAL UPPER WASHER	BT280114213	2
14	GLACIER BOTELLA SUSPENSIÓN / TUBE GLACIER BUSH	ST950213	2
15	BOTELLA IZQUIERDA SUSPENSIÓN TRIAL / LEFT OUTER TUBE	BT280314019MZ	1
16	ARANDELA GOMA INTERIOR / FRONT FORK WASHER SEAL	BT280314145	2
17	ALLEN / ALLEN SCREW	BT280314249	2
18	TÓRICA TORNILLO AIRE / OIL DRAIN WASHER	BT280314104	2
19	TORNILLO / SCREW	BT280314103	2
20	BOTELLA DERECHA SUSPENSIÓN TRIAL / RIGHT OUTER TUBE	BT280314009MZ	1
21	ALLEN ESPECIAL 6X25 UFK / 6X25 SPECIAL ALLEN	T0316025	2
22	ALLEN M8X55 / M8X55 ALLEN BOLT	T0308055	4
23	BRIDA SOPORTE MANILLAR / SUPPORT HANDLEBAR CLAMP	BT27914012	2
24	BRIDA INFERIOR MANILLAR / LOWER HANDLEBAR CLAMP	BT27914013	2
25	ALLEN 8X30 CULATA / 8X30 SCREW BOLT ALLEN	T0308030	4
26	TAPÓN PLATINA SUPERIOR / TOP STEERING AXLE CAP	ST950523	1
27	TUERCA DIRECCIÓN / NUT UNDER TOP CLAMP	BT27910029	1
28	PLATINA SUPERIOR / CLAMP TRIPLE TOP (YOKE)	ST950300	1
29	ULS 6X10 TOPE FRENO PRO. FIL. / 6X10 ULS SCREW BOLT	T0506010	1
30	EJE DIRECCIÓN / STEERING AXLE	BT280214003	1
31	PLATINA INFERIOR / LOWER TRIPLE CLAMP (YOKE)	BT280214002	1

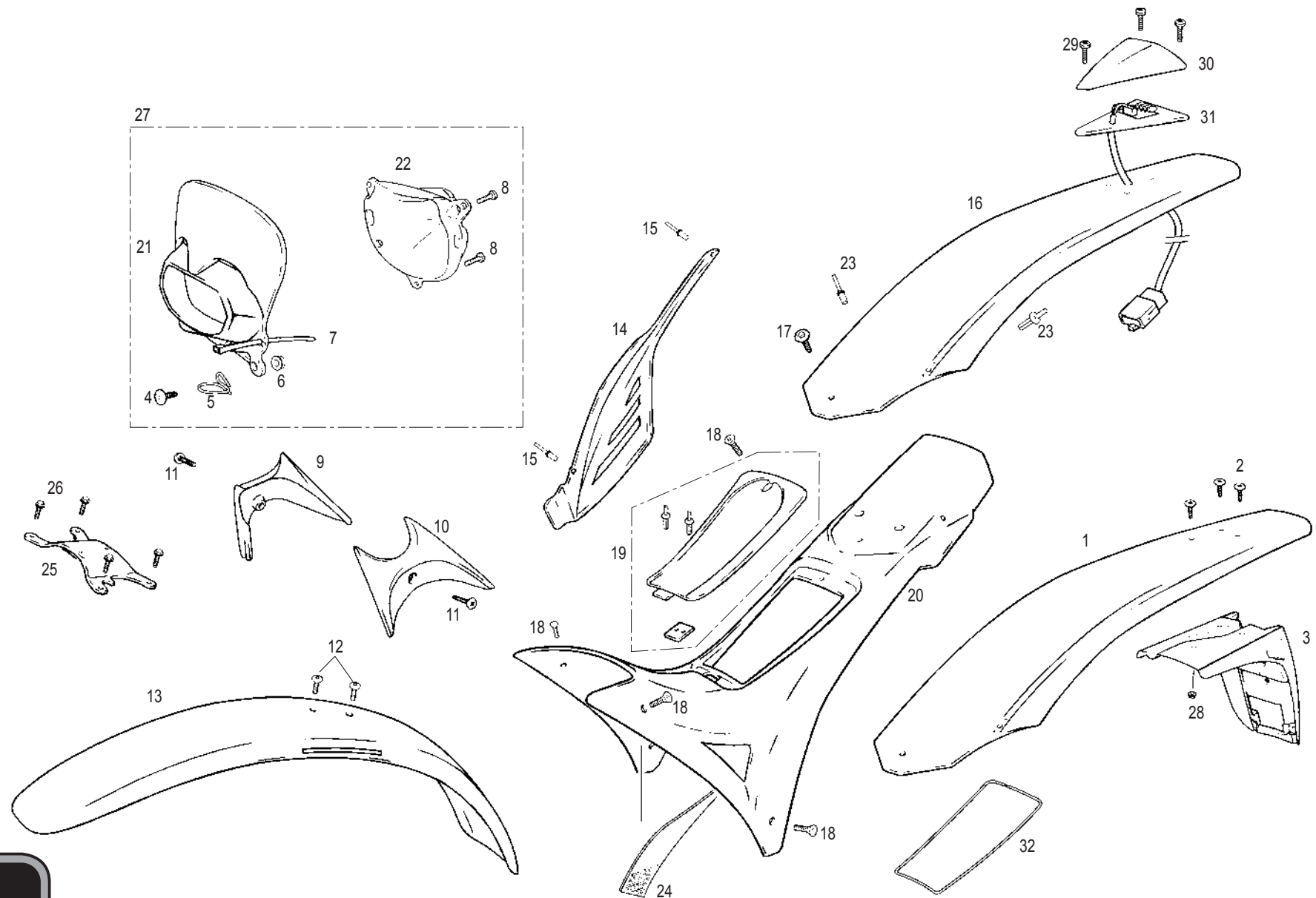
Rueda delantera  
/ Front wheel

**GAS GAS**

**TXT ROOKIE 05**



Nº	DESCRIPCIÓN / DESCRIPTION	TXT ROOKIE 05	Cant.
1	EJE RUEDA DELANTERA TRIAL PRO / FRONT WHEEL AXLE	R550103	1
1A	EJE RUEDA DELANTERA TRIAL PRO 2004 / TRIAL PRO 2004 FRONT WHEEL AXLE	-	1
2	COJINETE / BEARING	C160001	2
3	CUBIERTA DELANTERA 2.75X21 / 2.75X21 FRONT TYRE	N140000	1
4	GOMA PROTECTOR R14025 2.75X21 REF. 554350 / R14025 2.75X21 REF. 554350 FRONT FLAP TYRE	N100000	1
5	CÁMARA DELANTERA 2.75X21 REF. 450905 / 2.75X21 REF. 450905 FRONT TUBE	N120000	1
6	RUEDA DELANTERA TRIAL PRO / TRIAL PRO FRONT WHEEL	BT280318000	1
7	CUBO RUEDA DELANTERA TRIAL / TRIAL FRONT HUB WHEEL	BRT500118007	1
8	TUERCA RADIOS 3MM. RUEDA DELANTERA DIA. 6.5 / SPOKE NUT	BT27718001	32
9	RADIO 3X257 RUEDA DELANTERA TRIAL / FRONT WHEEL SPOKE	BRT500118008	16
10	RADIO 3X254 RUEDA DELANTERA TRIAL / FRONT WHEEL SPOKE	BRT500118009	16
11	AGARRE CUBIERTA / TYRE CLAMP	R120000	1
12	TUERCA CON ARANDELA ESTRIADA M8 ZINCADA / M8 NUT WITH WASHER	BE25818060	1
13	DISTANCIADOR RUEDA DELANTERA / FRONT WHEEL SPACER	BRT500118018	1
14	TORNILLO EJE RUEDA DEL. TRIAL PRO 2004 / FRONT WHEEL AXLE SCREW	-	1
15	DISCO FRENO DELANTERO / FRONT BRAKE DISK	BT280322011	1
16	PINZA FRENO DELANTERO / FRONT BRAKE PADS	BT280222000	1
17	HEXAGONAL M8 CON ARANDELA / M8 HEXAGONAL SCREW WITH WASHER	T0208007	4
18	PROTECTOR DISCO FRENO / FRONT BRAKE DISK PROTECTOR	BT280420045	1
19	TORNILLO PINZA FRENO DELANTERA INFERIOR 8X1.25X36.5 / SCREW	BT280022071	1
20	TORNILLO PINZA FRENO DELANTERA SUPERIOR 8X1.25X62.5 / SCREW	BT280022070	1
21	CTO. FRENO DELANTERO TRIAL / FRONT BRAKE SET	BT280222108	1
22	PLANCHA PROTECCIÓN PASTILLAS FRENO / BRAKE PAD PROTECTOR	BT280222213	1
23	PASTILLA FRENO DELANTERA 229.99102 / FRONT BRAKE PAD	BT280222065	2
24	LATIGUILLO FRENO DELANTERO 2000 / FRONT BRAKE TUBE	BT280222002	1
25	TORNILLO LATERAL BOMBA FRENO TRAS. / HOSE SCREW	BT27722212	1
26	ARANDELA PLANA COBRE 10.25X14X1.4 / 10.25X14X1.4 WASHER	BT27922072	2
27	KIT REPARACION PINZA FRENO DEL. / FRONT BRAKE CALIPER SET	BT280222201	1
28	CHAVETA SUJECCIÓN PASTILLA FRENO / FRONT BRAKE PAD KEY	R250000	1
29	LLANTA DELANTERA / FRONT WHEEL RIM	BRT500118006	1
30	TORNILLO SUJECCION PASTILLAS / BRAKE PADS SCREW	BT280222006	1



Nº	DESCRIPCIÓN / DESCRIPTION	TXT ROOKIE H	TXT ROOKIE	Cant.
1	GUARDABARROS TRAS. TRIAL 2004 / TRIAL 2004 REAR FENDER	BT280520007H	-	1
2	TORNILLO PHILIPS 6X25 / 6X25 PHILIPS SCREW	T0506016N	-	3
3	PORTAMATRICULAS TRIAL HOMOLOGADO / TRIAL PLATE SUPPORT	BT280520003	-	1
4	ULS 6X12 TOPE FRENO / 6X12 ULS SCREW	T0556014	-	2
5	GANCHO INOXIDABLE / RUSTLESS HOOK	M130000	-	1
6	TUERCA CON ARANDELA M6 / M6 NUT WITH WASHER	T2206000	-	2
7	BRIDA UNEX / UNEX CLAMP	BE25634007	-	2
8	TORNILLO ROSCA CHAPA 3X9 / 3X9 SCREW	T1003009	-	4
9	PROTECTOR RADIADOR DERECHO / RIGHT RADIATOR COVER	BT280520012	-	1
10	PROTECTOR RADIADOR IZQUIERDO / LEFT RADIATOR COVER	BT280520013	-	1
11	TORNILLO ROSCA CHAPA 3,9X19 NEGRO / 3,9X19 BLACK SCREW	T259349	-	2
12	ULS 5X8 / 5X8 ULS SCREW	T0505008	-	2
13	GUARDABARROS DELANTERO TRIAL 2005 / TRIAL 2005 FRONT FENDER	BT280520006	-	1
14	PROTECTOR ESCAPE TRIAL 2002 / EXHAUST PROTECTOR	BT280226021	-	1
15	REMACHE ALUMINIO 4X12 CABOTA NEGRA / ALUMINIUM RIVET	T4504012N	-	2
16	GUARDABARROS TRAS. TRIAL 2005 / TRIAL 2005 REAR FENDER	BT280520007	-	1
17	ULS 6X16 CON ARANDELA NEGRO / 6X16 BLACK ULS WITH WASHER	T0556016N	-	1
18	TORNILLO CONICO 6X16 NEGRO / BLACK 6X16 CONIC SCREW	T0406016N	-	5
19	TAPA CAJA FILTRO TRIAL PRO 2005 / TRIAL PRO 2005 FILTER BOX COVER	BT280528010RO	-	1
20	BASE ASIENTO TRIAL 2005 / TRIAL 2005 SEAT STRUCTURE	BT280528001RO	-	1
21	FARO DELANTERO TRIAL 2005 / TRIAL 2005 FRONT HEADLIGHT	BT280520020	-	1
22	PORTALAMPARAS HOMOLOGADO / GUIDE PILOT OPTIC	BT280120022	-	1
23	REMACHE PLASTICO NEGRO GUARDAB. TRAS. / PLASTIC RIVET	T4503270	-	2
24	ADH. PROTECTOR ESCAPE AMIANTO / EXHAUST PROTECTOR STICKER	BT280238059	-	1
25	PUENTE HORQUILLA DELANTERA / FRONT SUSPENSION UNION	BT280110055	-	1
26	TORNILLO ESPECIAL 6X14 / 6X14 SPECIAL SCREW	T0206014	-	4
27	CTO. FARO HOMOLOGADO / HOMOLOGATED HEADLIGHT SET	BT280520020HCT	BRT050520020	1
28	TUERCA AUTOBLOCANTE M6 C/ARAND / M6 SELF-LOCKING NUT	T2206002	-	3
29	TORNILLO ROSCA-CHAPA 4X16 PHILIPS / 4X16 PHILIPS SCREW	T0603513	-	3
30	FARO PILOTO TRASERO TRIAL / REAR LIGHT	BT27934015	-	1
31	LAMPARA LEDS / ELECTRONIC LEDS LAMP	-	-	1
32	TUBO FLEXIBLE SILICONA BASE ASIENTO / SEAT BASE SILICON HOSE	BT280236042	-	1



# Adhesivos / Stickers

# GAS GAS

# TXT ROOKIE 05

**WARNING**  
 NEVER RIDE ALONE  
 OPERATOR ONLY. DO NOT ALLOW THE CONTROL OF A PASSENGER  
 BE BEHAVING UNDER THE INFLUENCE OF DRUGS OR ALCOHOL  
 WHILE RIDING. ALWAYS WEAR YOUR SEATBELT AND OPERATING  
 GEAR. ALWAYS WEAR YOUR HELMETS. ALWAYS WEAR YOUR  
 PROTECTIVE GEAR. ALWAYS WEAR YOUR SAFETY GEAR.  
 ALWAYS WEAR YOUR SAFETY GEAR.  
 ALWAYS WEAR YOUR SAFETY GEAR.  
 ALWAYS WEAR YOUR SAFETY GEAR.  
 ALWAYS WEAR YOUR SAFETY GEAR.



1



2



6

12

3

4

5



8

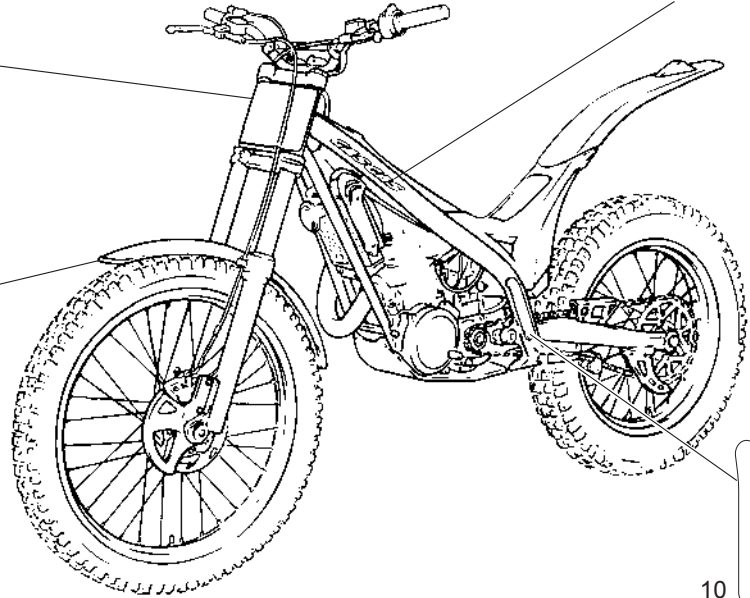
9



6



7



10

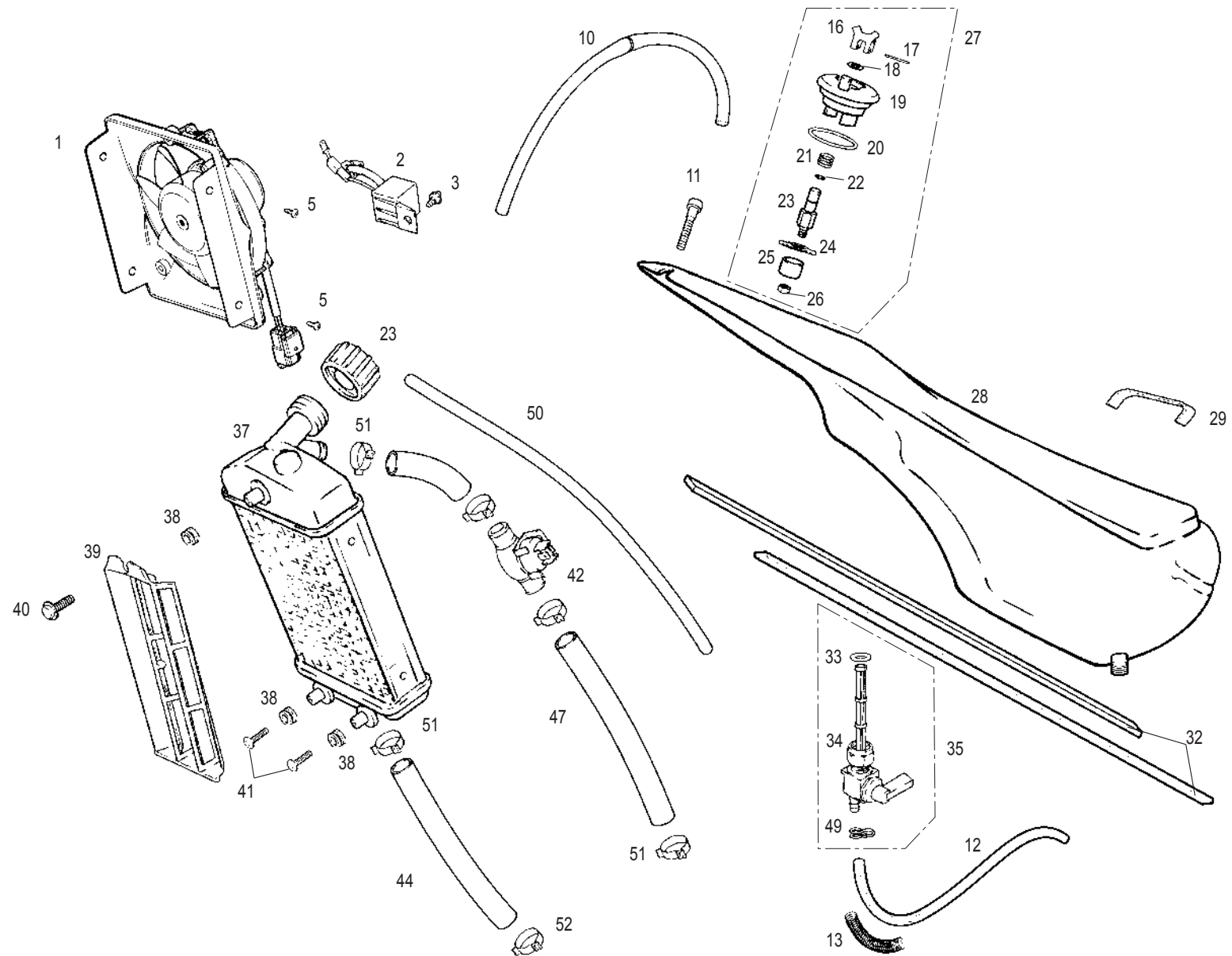


11

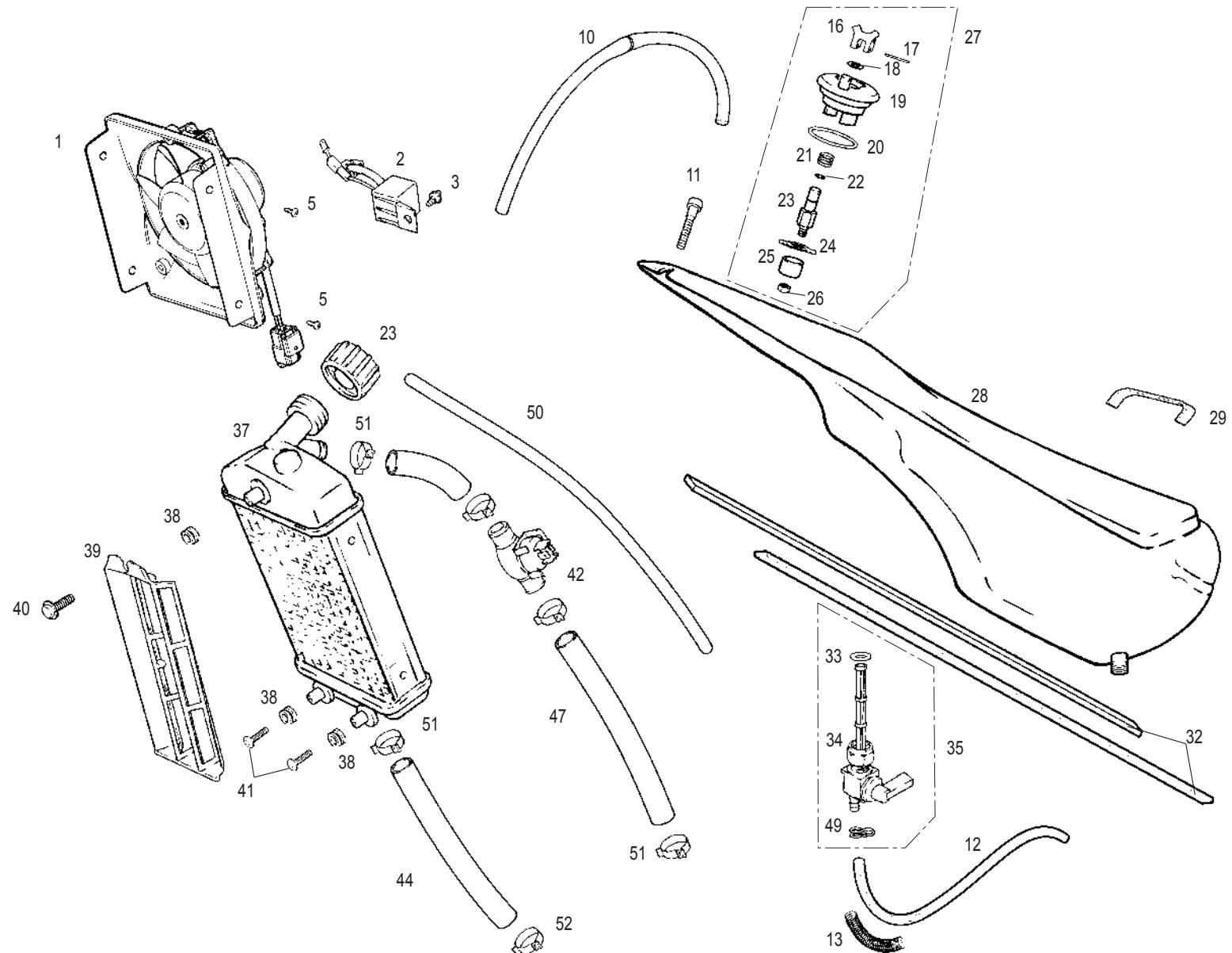




Nº	DESCRIPCIÓN / DESCRIPTION	ROJO / RED	Cant.
1	ADH. SIN PLOMO / UNLEADED FUEL ONLY STICKER	PU000138002	1
2	ADH. USO ACEITE GRO / USE GRO OIL ONLY STICKER	PU000438001	1
3	ADH. STARTER / STARTER STICKER	PU000338002	1
4	ADH. BASCULANTE LADO DERECHO / RIGHT SWINGARM STICKER	BRT070538005	1
5	ADH. BASCULANTE LADO IZQUIERDO / LEFT SWINGARM STICKER	BRT070538006	1
6	ADH. TAPA FILTRO / AIR FILTER COVER STICKER	BT280538038	1
7	ADH. IZQUIERDO TAPA FILTRO / LEFT AIR FILTER COVER STICKER	BT280538036	1
8	ADH. DERECHO TAPA FILTRO / RIGHT AIR FILTER COVER STICKER	BT280538037	1
10	ADH. GUARDABARROS TRASERO / REAR FERNDER STICKER	BT280438032	1
11	ADH. BASE ASIENTO / BASE SEAT STICKER	BT280438034	1
12	ADH. SILLIN / SEAT STICKER	BT280510015	1
13	ADH. DEPOSITO / FUEL TRANK STICKER	BT070538022	1
14	ADH. HORQUILLA PUBLICIDAD DERECHA / RIGHT FRONT FORK STICKER	BT280438043	1
15	ADH. HORQUILLA PUBLICIDAD IZQUIERDA / LEFT FRONT FORK STICKER	BT280438042	1
16	ADH. PROTECTOR DERECHO RADIADOR / RADIATOR RIGHT PROT. STICKER	BT280538002	1
17	ADH. PROTECTOR IZQUIERDO RADIADOR / RADIATOR LEFT PROT. STICKER	BT280538052	1
18	ADH. BASE ASIENTO IZQUIERDO 50 SILICONA / LEFT BASE SEAT STICKER	BT050538031	1
18A	ADH. BASE ASIENTO IZQUIERDO 70 SILICONA / LEFT BASE SEAT STICKER	BT070538031	1
18B	ADH. BASE ASIENTO IZQUIERDO 250 SILICONA / LEFT BASE SEAT STICKER	-	1
18C	ADH. BASE ASIENTO IZQUIERDO 280 SILICONA / LEFT BASE SEAT STICKER	-	1
18D	ADH. BASE ASIENTO IZQUIERDO 300 SILICONA / LEFT BASE SEAT STICKER	-	1
19	ADH. FARO TRIAL / HEAD LIGHT STICKER	BT280538001	1
20	ADH. GUARDABARROS DEL. TRIAL / FRONT FENDER STICKER	BT280538027	1
22	ADH. BASE ASIENTO DERECHO 50 SILICONA / RIGHT BASE SEAT STICKER	BT05053830	1
22A	ADH. BASE ASIENTO DERECHO 70 SILICONA / RIGHT BASE SEAT STICKER	BT07053830	1
22B	ADH. BASE ASIENTO DERECHO 250 SILICONA / RIGHT BASE SEAT STICKER	-	1
22C	ADH. BASE ASIENTO DERECHO 280 SILICONA / RIGHT BASE SEAT STICKER	-	1
22D	ADH. BASE ASIENTO DERECHO 300 SILICONA / RIGHT BASE SEAT STICKER	-	1
24	ADH. CHASIS TRIAL / TRIAL FRAME STICKER	BT280238021	2
25	ADH. PROT. LATERAL IZQUIERDO CHASIS TRIAL / FRAME LEFT PROT. STICKER	BT280220031	1
26	ADH. PROT. LATERAL DERECHO CHASIS TRIAL / FRAME RIGHT PROT. STICKER	BT280220030	1

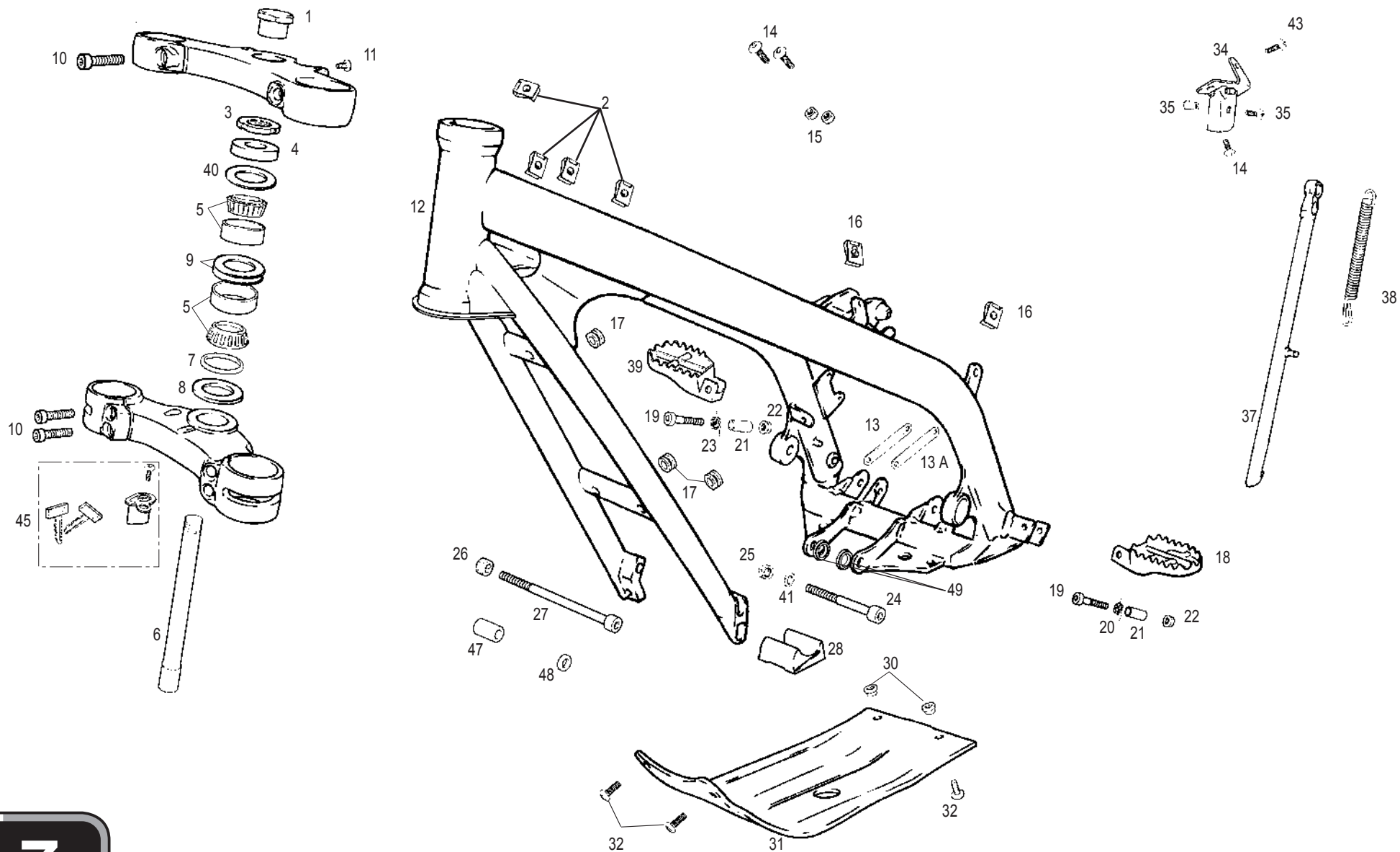


Nº	DESCRIPCIÓN / DESCRIPTION	TXT ROOKIE 05	Cant.
1	VENTILADOR F14 / FUN F-14	BFS450332340	1
2	MODULO VENTILADOR / FUN MODULE	L300021	1
2A	CONECTOR 3 VÍAS / 3 WAYS PLUG	L300006	1
3	TORNILLO ROSCA CHAPA CON ARANDELA / SCREW THREAD WITH WASHER	T0604210	1
5	TORNILLO ROSCA CHAPA 3X9 / 3X9 SCREW THREAD	T1003919	4
10	TUBO DESVAPORIZADOR DEPÓSITO 41 CM / TANK TUBE 41 CM LONG	BT280310018	1
11	ULS 6X35 / 6X35 ULS	T0506035	1
12	TUBO GASOLINA TRIAL / FUEL HOSE	BT280236004	1
13	MUELLE PROTECCION TUBO GASOLINA / FUEL HOSE PROTECTION SPRING	BE25910068	1
16	CIERRE TAPÓN DEPÓSITO / CLOSE PLUG TANK	BT280410088	1
17	PASADOR CIERRE TAPÓN / PIN CLOSE PLUG	BT27710094	1
18	ARANDELA ANTIDESGASTE CERRADURA / WASHER UNWEAR CLOSE	BT27710095	1
19	CUERPO TAPÓN DEPÓSITO / EXT. BODY PLUG TANK	BT280410089	1
20	TÓRICA CIERRE 29X3 NBR / 29X3 CLOSE O'RING	BT27810097	1
21	MUELLE TAPÓN DEPÓSITO / SPRING PLUG TANK	BT27910102	1
22	TÓRICA EJE TAPÓN 5X1 NBR / 5X1 O'RING AXLE PLUG	BT27810098	1
23	EJE TAPÓN DEPÓSITO / AXLE PLUG TANK	BT27910092	1
24	BAIONETA TAPÓN DEPÓSITO / BAYONET PLUG TANK	BT27910101	1
25	APRETADOR TAPÓN GASOLINA / O'RING PRESS PLUG TANK	BT27910090	1
26	TUERCA AUTOBLOCANTE M5 / M5 SELF-LOCKING	T2105001	1
27	CTO. TAPÓN GASOLINA / CPT. PLUG FUEL-PETROL	BT280420010	1
28	DEPÓSITO TRIAL ROOKIE / TRIAL ROOKIE TANK	BRT070410024	1
29	JUNTA ADHESIVA DEPÓSITO 125X10 / 125X10 STICKER TANK GASKET	BT280038018	1
32	JUNTA ADHESIVA DEPÓSITO CHASIS 38X1 / 38X1 STICKER TANK GASKET FRAME	BT27838018	2
33	ARANDELA GRIFO DEPÓSITO / WASHER TANK TAP	BT27910131	1
34	TUERCA GRIFO DEPÓSITO / NUT TANK TAP	BT27910132	1
35	GRIFO GASOLINA C/90 / C/90 TAP FUEL-PATROL	BT27810031	1
36	TAPÓN RADIADOR TP50806 TRIAL 2202 / TP50806 TRIAL 2202 RADIATOR CAP	BT280232032	1
37	CTO. RADIADOR TRIAL 2004 / 2004 RADIATOR	BT280432000	1
38	GOMAS RADIADOR A CHASIS / RADIATOR TUBE TO FRAME	G220000	3
39	REJILLA RADIADOR TRIAL 2002 / TRIAL 2002 RADIATOR GRILL	BT280220001	1
40	ALLEN 6X14 / 6X14 ALLEN BOLT	T0306014	1
41	ULS 6X10 CON ARANDELA / 6X10 ULS BOLT WITH WASHER	T0556010	2
42	TERMO CONTACTO / TERMO-CONTACT	M01020003	1
43	ABRAZADERA COBRA 21 / 21 COBRA CLAMP	L200046	2
44	TUBO INFERIOR RADIADOR-BOMBA AGUA / RADIATOR-WATER PUMP LOWER TUBE	BRT500132003	1



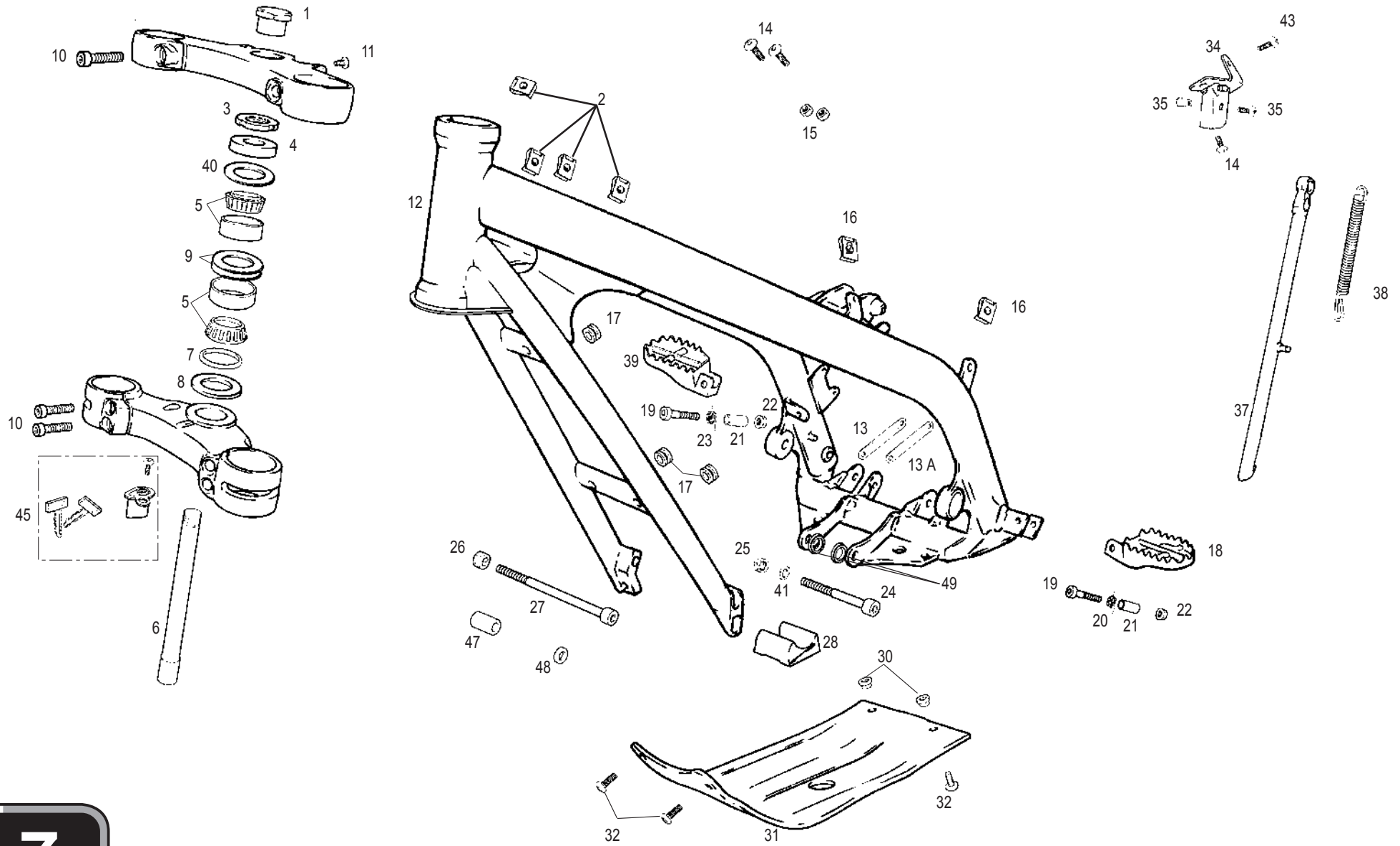
Nº	DESCRIPCIÓN / DESCRIPTION	TXT ROOKIE 05	Cant.
47	TUBO SUPERIOR RADIADOR-CULATA / RADIATOR-CYL. HEAD UPPER TUBE	BRT050232002	1
49	ABRAZADERA DE MUELLE / SPRING CLAMP	BT27710120	1
50	TUBO SOBRENTE RADIADOR 5X8 (12 cm.) / RADIATOR EXCESS TUBE HOSE	BE25620011	1
51	ABRAZADERA 20X32X9 / 20X32X9 CLAMP	L200044	1
52	ABRAZADERA COBRA 22 / 22 COBRA CLAMP	L200038	1





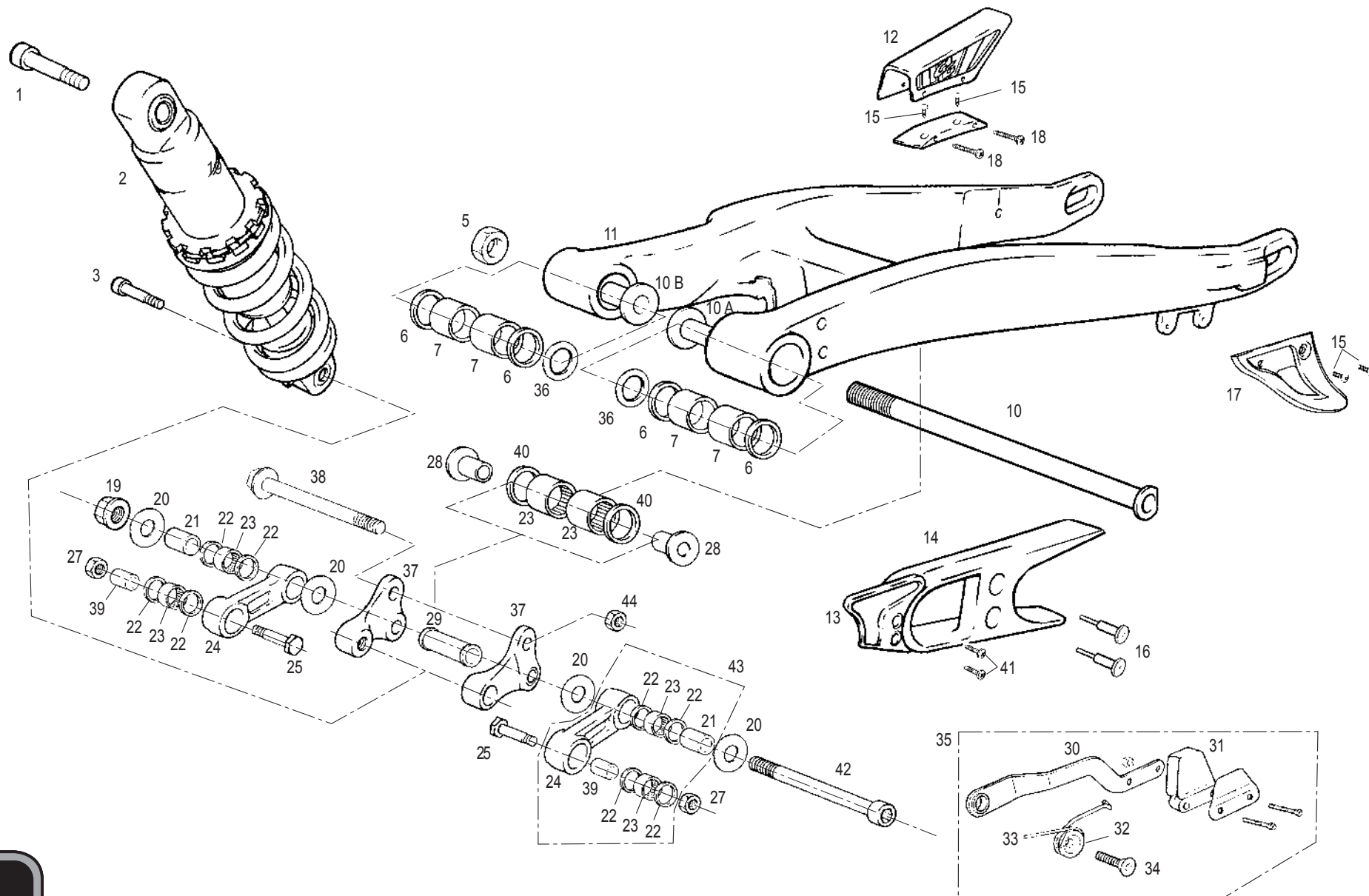
Nº	DESCRIPCIÓN / DESCRIPTION	TXT ROOKIE 05	Cant.
1	TUERCA SUPERIOR DIRECCIÓN TRIAL 2002 / NUT TOP STEERING AXLE	BT280210030	1
2	TUERCA NUT 956 RAPIDA M6 / M6 FAST NUT	T2606000	4
3	TUERCA INFERIOR DIRECCIÓN TRIAL 2002 / NUT UNDER TOP CLAMP	BT280210029	1
4	GUARDAPOLVO COJINETES DIRECCIÓN / BEARING STEERING DUST COVER	BEP250210026	1
5	COJINETE DIRECCIÓN URBXA 32004 / BEARING STEERING	BT280210008	2
6	EJE DIRECCIÓN TRIAL 2002 / AXLE STEERING	BT280214003	1
7	TÓRICA DIRECCIÓN 37X2,5 ENDUPAMP 250 / O'RING STEERING	BEP250210012	1
8	ARANDELA REGLAJE BLANCA / WHITE WASHER	BT280210026	1
9	VOLANDERA 36X42X0.5 / 36X42X0.5 WASHER	T4003642	2
10	ALLEN 8X30 / 8X30 ALLEN BOLT	T0308030	6
11	ULS 6X10 DIRECCIÓN / STEERING 6X10 ULS	T0506010	1
12	CHASIS TRIAL 2003 / 2003 TRIAL FRAME	BRT050410000/2	1
13	TIRANTE CILINDRO CON SOPORTE / BRACE CYLINDER WITH SUPPORT	BRT050410050	1
13A	TIRANTE CILINDRO SIN SOPORTE / BRACE CYLINDER WITHOUT SUPPORT	BRT050310050	1
14	ULS 8X20 / 8X20 ULS	T0508020	5
15	TUERCA AUTOBLOCANTE M-8 ALTA / HIGH M8 SELF-LOCKING NUT	T2108002	4
16	TUERCA M6 REMACHABLE TRIAL PRO 2005 / TRIAL PRO 2005 M6 REVITABLE NUT	BT280410070	4
17	GOMAS RADIADOR A CHASIS / RADIATOR PROTECTOR RUBBER	G220000	3
18	ESTRIBO IZQUIERDO 99 / 99 LEFT FOOTSTEP	BT27910003	1
19	ALLEN 8X45 ESTRIBO / 8X45 ALLEN SCREW	T0308045	2
20	MUELLE ESTRIBO IZQUIERDO / LEFT FOOTSTEP SPRING	M100004	1
21	CASQUILLO ESTRIBO TRIAL-99 / BUSH FOOTSTEP	BT27910006	2
22	TUERCA AUTOBLOCANTE M8 ALTA (DIN 982) / (DIN 982) HIGH M-8 NYLOCK NUT	T2108002	2
23	MUELLE ESTRIBO DERECHO / SPRING FOOTSTEP RIGHT	M100003	1
24	ALLEN 10X85 / 10X85 ALLEN BOLT	T0310122	1
25	TUERCA AUTOBLOCANTE M10 BAJA / M10 NYLOCK NUT	T2110002	1
26	TUERCA ESPECIAL M10 / M10 SPECIAL NUT	T0308120/2	1
27	ALLEN M10X140 ZINCADO 12.9 / M10X140 SCREW BOLT ALLEN	T2108002	1
28	GOMA PROTECTOR TRASERO MOTOR / REAR ENGINE PROT. RUBBER	BRT500136029	1
30	TUERCA AUTOBLOCANTE M8 BAJA / M8 NYLOCK NUT	-	1
31	PLACA PROTECCIÓN MOTOR / TRIAL ENGINE PROTECTOR PLATE	T2108001	2
32	ULS 8X16 / 8X16 ULS	BRT500110005	1
34	SOPORTE CABALLETE TRIAL 2000 / SIDE STAND BRACKET SUPPORT	T0508016	4
35	CASQUILLO GUÍA CABALLETE TRIAL / BUSH, PIVOT SIDE STAND	BT280012023	1
36	ALLEN 8X14 / 8X14 ALLEN BOLT	BT27712011	1
37	CABALLETE TRIAL 99 / SIDE STAND BRACKET	T0308014	1
38	MUELLE CABALLETE / SIDE STAND SPRING	BT27912010	1



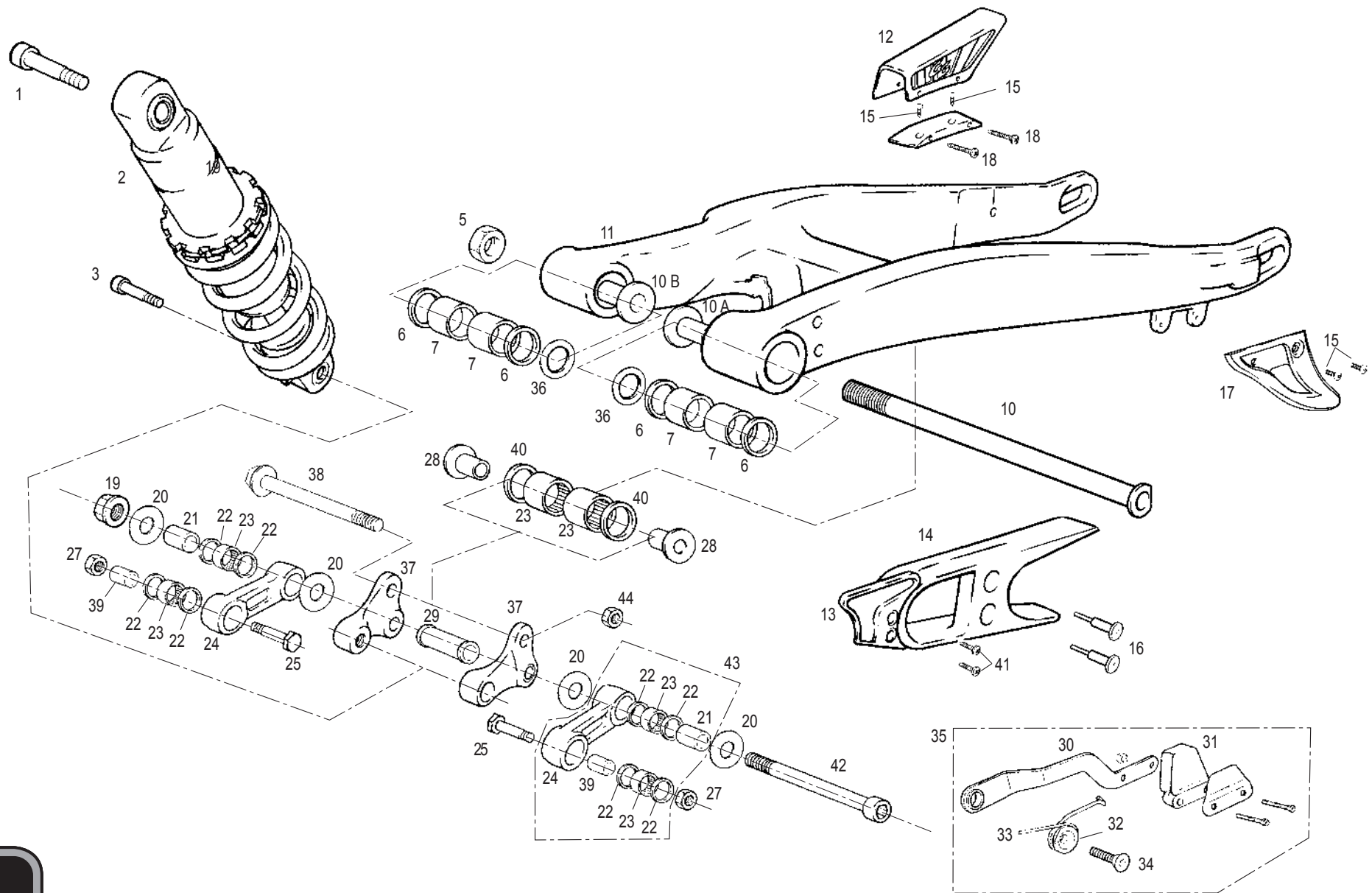




N°	DESCRIPCIÓN / DESCRIPTION	TXT ROOKIE 05	Cant.
39	ESTRIBO DERECHO 99 / <i>FOOTSTEP, RIGHT</i>	BT280310039H	1
40	ARANDELA 22.4X36X0.7 REGLAJE / <i>22.4X36X0.7 REGULATE WASHER</i>	BT27910002	1
41	ARANDELA GLOBER 10X15 / <i>GLOBER WASHER</i>	T4022036	2
42	GOMA PROTECCIÓN CAJA-CHASIS CORTA TRIAL PRO / <i>SHORT PROTECT RUBBER</i>	T4001015	1
42A	GOMA PROTECCIÓN CAJA-CHASIS LARGA TRIAL PRO / <i>LONG PROTECT RUBBER</i>	-	1
43	HEXAGONAL 6X16 / <i>6X16 HEXAGONAL BOLT</i>	-	1
44	BRIDA UNEX 2244 4.8X36 / <i>4.8X36 BLACK CLAMP</i>	T0106016	1
45	CTO. BLOQUEO CLAUSOR / <i>LOCKING CLAUSOR SET</i>	-	1
46	BRIDA UNEX 2244 4.8X20 / <i>4.8X20 BLACK CLAMP</i>	BT280210075	1
47	CASQUILLO SOPORTE MOTOR DERECHO / <i>RIGHT MOTOR SUPPORT BUSHING</i>	-	1
48	CASQUILLO SOPORTE MOTOR IZQUIERDO / <i>LEFT MOTOR SUPPORT BUSHING</i>	BRT050410065	1
49	CASQUILLO SOPORTE MOTOR POSTERIOR / <i>REAR MOTOR SUPPORT BUSHING</i>	BRT050410066	1
		BIE500110968	2

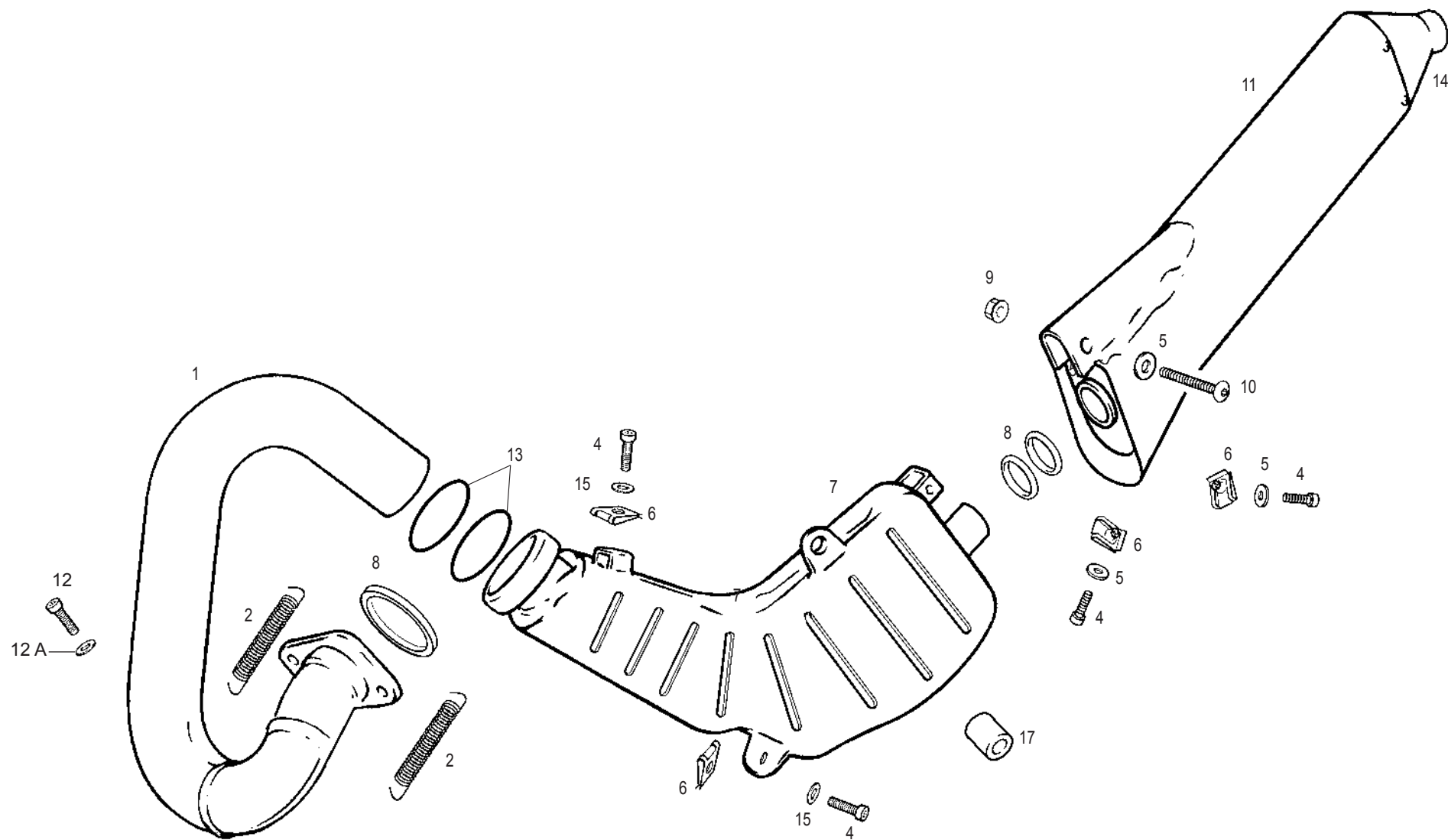


Nº	DESCRIPCIÓN / DESCRIPTION	TXT ROOKIE 05	Cant.
1	ALLEN 10X55 / 10X55 ALLEN SCREW	T0301055	1
2	AMORTIGUADOR TRIAL / SHOCK ABSORBER	BRT500114004	1
3	TORNILLO ESPECIAL / SPECIAL SCREW	T0310046	1
4	GOMA PROTECCIÓN AMORTIGUADOR TRASERO / REAR SHOCK PROTECTOR	-	1
5	TUERCA EJE BASCULANTE TRIAL / SWING-ARM AXLE NUT	B260001	1
6	RETÉN 20-26-4 870 N BASCULANTE / 20-26-4 OIL SEAL	C220001	4
7	COJINETE / BEARING	BT280212032	4
9	CASQUILLO GUÍA EJE BASCULANTE / SWING-ARM AXLE BUSHING	-	1
10	EJE BASCULANTE TRIAL / SWING-ARM AXLE	BT80012008	1
10A	DISTANCIADOR BASCULANTE / SWING-ARM SPACER	BRT500112007	1
10B	CASQUILLO DISTANCIADOR / SPACER BUSHING	BRT050412108	1
11	BASCULANTE TRIAL 2002 / TRIAL 2002 SWING-ARM	BT280212002	1
12	CUBRECADENAS / CHAIN COVER	BT280428011	1
13	PROTECTOR PIÑÓN TRIAL 2002 / TRIAL 2002 PINION PROTECTOR	BT280236021	1
14	PATÍN CADENA / CHAIN GUIDE	BT280412015	1
15	ULS 5X12 / 5X12 ULS	T0505012	4
16	REMACHE CABOTA GRANDE 14X4 8X21 PATÍN / RIVET	T4505016	2
17	PROTECTOR CORONA TRIAL 2003 / SPROCKET PROTECTOR	BT280320029	1
18	TORNILLO ROSCA CHAPA PHILIPS 4X38 / 4X38 PHILIPS SCREW	T0614838	2
19	TUERCA AUTOBLOCANTE / SELF-LOCKING NUT	T2110001	1
20	ARANDELA REGLAJE 10.5X26X0.5 / 10.5X26X0.5 WASHER	T4001026	4
21	CASQUILLO SUSPENSIÓN DIAM. 10 / SUSPENSION BUSHING	BT27712005	2
22	RETÉN 15X21X2 / 15X21X2 OIL SEAL	C230001	8
23	COJINETE AGUJAS 15BM2116 / 15BM2116 NEEDLE BEARING	BT27714009	6
24	BIELETA ALUMINIO TRIAL 2000 / ALUMINIUM ROD	BT280014008	2
25	TORNILLO ESPECIAL BIELETA 8X38 / 8X38 SPECIAL SCREW	T0118038	2
27	TUERCA AUTOBLOCANTE M8 ALTA / M8 SELF-LOCKING NUT	T2108002	2
28	CASQUILLO BALANCÍN 99 / ARTICULATION BUSHING	BT27914014	2
29	CASQUILLO DISTANCIADOR BALANCÍN / ARTICULATION SPACER BUSHING	BT27914016	1
30	BRAZO TENSOR CADENA / TENSIONER CHAIN ARM	B520102	1
31	GOMA TENSOR CADENA / TENSIONER CHAIN RUBBER	G180010	1
32	CASQUILLO TENSOR CADENA / CHAIN TENSIONER BUSHING	B560000	1
33	MUELLE TENSOR CADENA / CHAIN TENSIONER SPRING	M122000	1
34	ALLEN CONICO 8X30 TENSOR CADENA / 8X30 CONIC ALLEN	T0408030	1
35	CTO. TENSOR CADENA TRIAL / TRIAL CHAIN TENSIONER ASSY	BT280410078	1
36	ARANDELA BASCULANTE TRIAL 2002 / TRIAL 2002 SWING-ARM WASHER	BT280212007	2
37	CTO. BALANCÍN TRIAL 2000 / TRIAL 2000 ROCKER-ARM SET	BT280014005CT	1



Nº	DESCRIPCIÓN / DESCRIPTION	TXT ROOKIE 05	Cant.
38	TORNILLO ESPECIAL M10X80X1.25 12.9 / <i>M10X80X1.25 SCREW</i>	T0210080	1
39	CASQUILLO SUSPENSIÓN DIAM.8 / <i>DIAM. 8 SUSPENSION BUSHING</i>	BT27712014	2
40	RETÉN 15-21-3-8170N BASC. BAL. / <i>15-21-3-8170N OIL SEAL</i>	C230000	2
41	TORNILLO ROSCA-CHAPA 4.2X12 / <i>4,2X12 SCREW</i>	T259349	2
42	ALLEN M10X120 / <i>M10X120 ALLEN</i>	T0310121	1
43	BIELETA ALUMINIO TRIAL COMPLETA / <i>TRIAL ALUMINIUM ROD SET</i>	BT280014008CT	2
44	TUERCA M10 / <i>M10 NUT</i>	T3110002	1
45	CASQUILLO BASCULANTE / <i>SWING-ARM BUSHING</i>	B220002	2



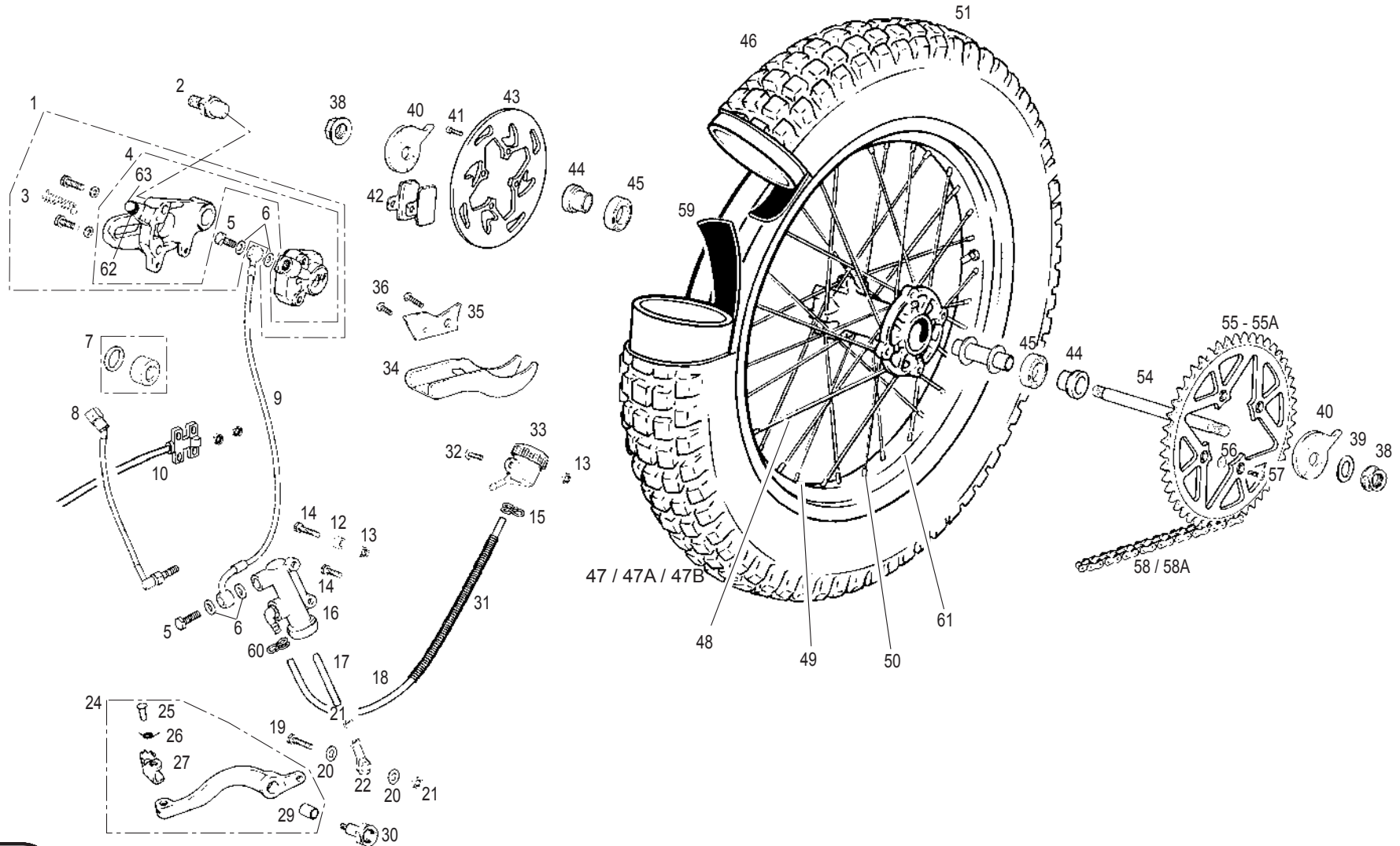


Nº	DESCRIPCIÓN / DESCRIPTION	TXT ROOKIE 05	Cant.
1	CURVA ESCAPE TRIAL SXXI / EXHAUST	BT050526001	1
2	MUELLE ESCAPE / EXHAUST SPRING	BE25610042	2
4	ALLEN 6X14 / 6X14 ALLEN	T0306014	2
5	ARANDELA PLANA 6.5X16X1.5 / 6.5X16X1,5 LOWER WASHER	T4006016	1
6	GRAPA M6 NUT / M6 CAGE NUT	T2606000	2
7	SILENCIOSO INTERMEDIO TRIAL 280 2003 / TRIAL 280 2003 MIDDLE SILENCER	-	1
8	TÓRICA ESCAPE / EXHAUST O'RING	C280002	3
9	TUERCA CON ARANDELA M6 / M6 FLANGE NUT	T2206000	1
10	ULS 6X40 / 6X40 ULS	T0506040	1
11	SILENCIOSO FINAL TRIAL / TRIAL FINAL SILENCER	BT280326002	1
12	TORNILLO ALLEN 6X14 / 6X14 ALLEN	T0306014	1
12A	ARANDELA 6X12X1,5 / 6X12X1,5 WASHER	T4006012	1
13	TÓRICA SILENCIOSO INTERMEDIO 44,05X3,53 / O'RING INT. SILENCER	BIE500126003	2
14	CAZOLETA SILENCIOSO FINAL / FINAL EXHAUST COVER	BT280126100	1
15	ARANDELA PLANA 6X12X1,5 / 6X12X1,5 LOWER WASHER	T4006012	1
16	CTO. INTERMEDIO Y SILENCIOSO FINAL / FINAL AND SILENCER EXHAUST SET	BRT050526050	1
17	CASQUILLO DISTANCIADOR / SPACER BOSHING	BE120110065	1

# Rueda trasera / Rear wheel

# GAS GAS

# TXT ROOKIE 05



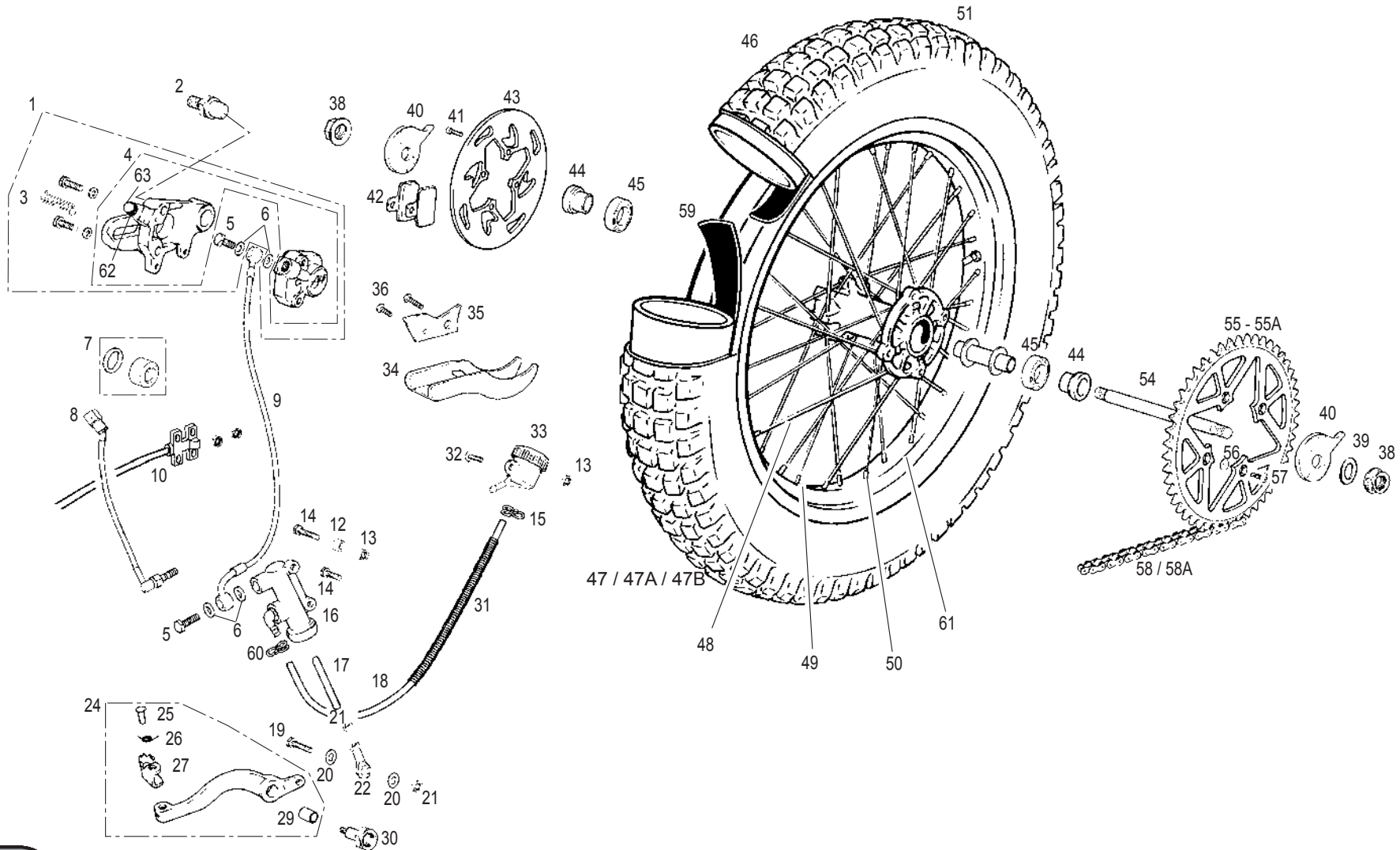


Nº	DESCRIPCIÓN / DESCRIPTION	TXT ROOKIE 05	Cant.
1	CTO. PINZA FRENO TRASERA / REAR BRAKE SET	BT280122000	1
2	CASQUILLO CENTRADOR PINZA / SPACER BUSHING	BT280222049	1
3	CHAVETA SUJECIÓN PASTILLA / KEY SPACER BRAKE PADS	R250000	1
4	PINZA FRENO TRASERA / REAR BRAKE CALIPER	BT280222001	1
5	TORNILLO LATERAL BOMBA FRENO TRASERO / BOLT PRESSURE HOSE	R320000	2
6	ARANDELA COBRE / WASHER COPPER	BE25622007	4
7	KIT REPARACIÓN PINZA FRENO / REPAIR KIT BRAKE PAD	BT280222202	1
8	INTERRUPTOR STOP HOMOLOGADO / STOP INTERRUPTOR HOMOL.	BEP250234003	1
9	LATIGUILLO FRENO TRASERO / REAR BRAKE HOSE	BT280222004	1
10	REENVÍO / HALL SENSOR	BT280034050	1
11	TORNILLO 6X25 / 6X25 BOLT	-	1
12	CASQUILLO SEPARADOR FRENO TRASERA / REAR BRAKE PUMP SPACER	-	1
13	TUERCA CON ARANDELA M6 (DIN 6923) ESTRIADA / M6 NUT WITH WASHER	-	2
14	ULS 6X12 / 6X12 ULS	T0506012	2
15	ABRAZADERA ELÁSTICA ALAMBRE / ELASTIC SPRING	L200036	2
16	BOMBA FRENO TRASERO / REAR BRAKE PUMP	BT280222010	1
17	VARILLA FRENO TRASERA TRIAL 2002 / TRIAL 2002 REAR BRAKE ROD	BT280222062	1
18	TUBO DE LÍQUIDO DE FRENO / BRAKE LIQUID TUBE	BE25632009	1
19	ULS 6x25 / 6x25 ULS BOLT	T0556025	1
20	ARANDELA 6X16X1.5 / 6X16X1.5 WASHER	T4006016	2
21	TUERCA AUTOBLOCANTE BAJA / LOW SPOKE NUT	T2106001	2
22	RÓTULA PEDAL FRENO / BRAKE PEDAL BALL-AND-SOCKET JOINT	BT280222053	1
23	CASQUILLO SEPARADOR 390.80.221 / 390.80.221 BUSHING	BT280218052	1
24	CTO. PEDAL FRENO TRASERO / REAR BRAKE PEDAL SET	BT27922016CT	1
25	REMACHE PUNTERA PEDAL FRENO / BRAKE PEDAL END RIVET	BE25922018	1
26	MUELLE PUNTERA PEDAL / SPRING PEDAL, END GEAR CLEVER	ME25636029	1
27	PUNTERA PEDAL FRENO / TOE PEDAL BRAKE	BT27922017	1
29	GLACIER PEDAL FRENO 1215PD10 / 1215PD10 GLACIER BRAKE PEDAL	C200101	1
30	CASQUILLO TORNILLO PEDAL FRENO TRIAL / SCREW BUSHING	BT280210302	1
31	MUELLE DESVAPORIZADOR / SPRING BREATHER	M150000	1
32	ULS 6X14 CON ARANDELA / 6X14 ULS WITH WASHER	T0556014	1
33	DEPÓSITO LÍQUIDO FRENOS / BRAKE LIQUID TANK	BT280410016	1
34	PROTECTOR DISCO TRASERO 2001 / 2001 REAR BRAKE DISC PROTECTOR	BT280128012	1
35	SOPORTE PROTECTOR DISCO TRASERO / REAR BRAKE DISC PROTECTOR SUPPORT	BT280222051	1

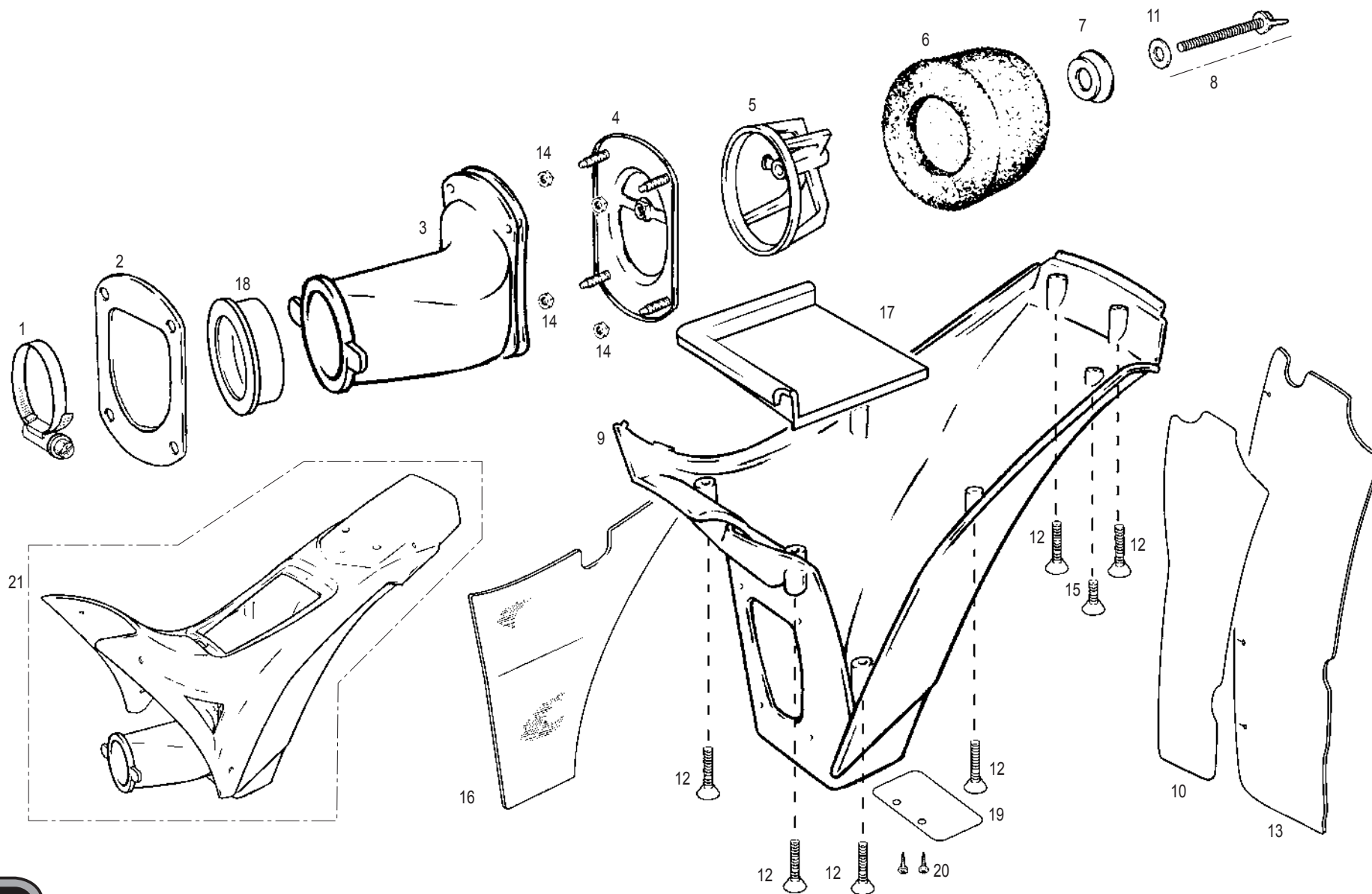
Rueda trasera  
/ Rear wheel

**GAS GAS**

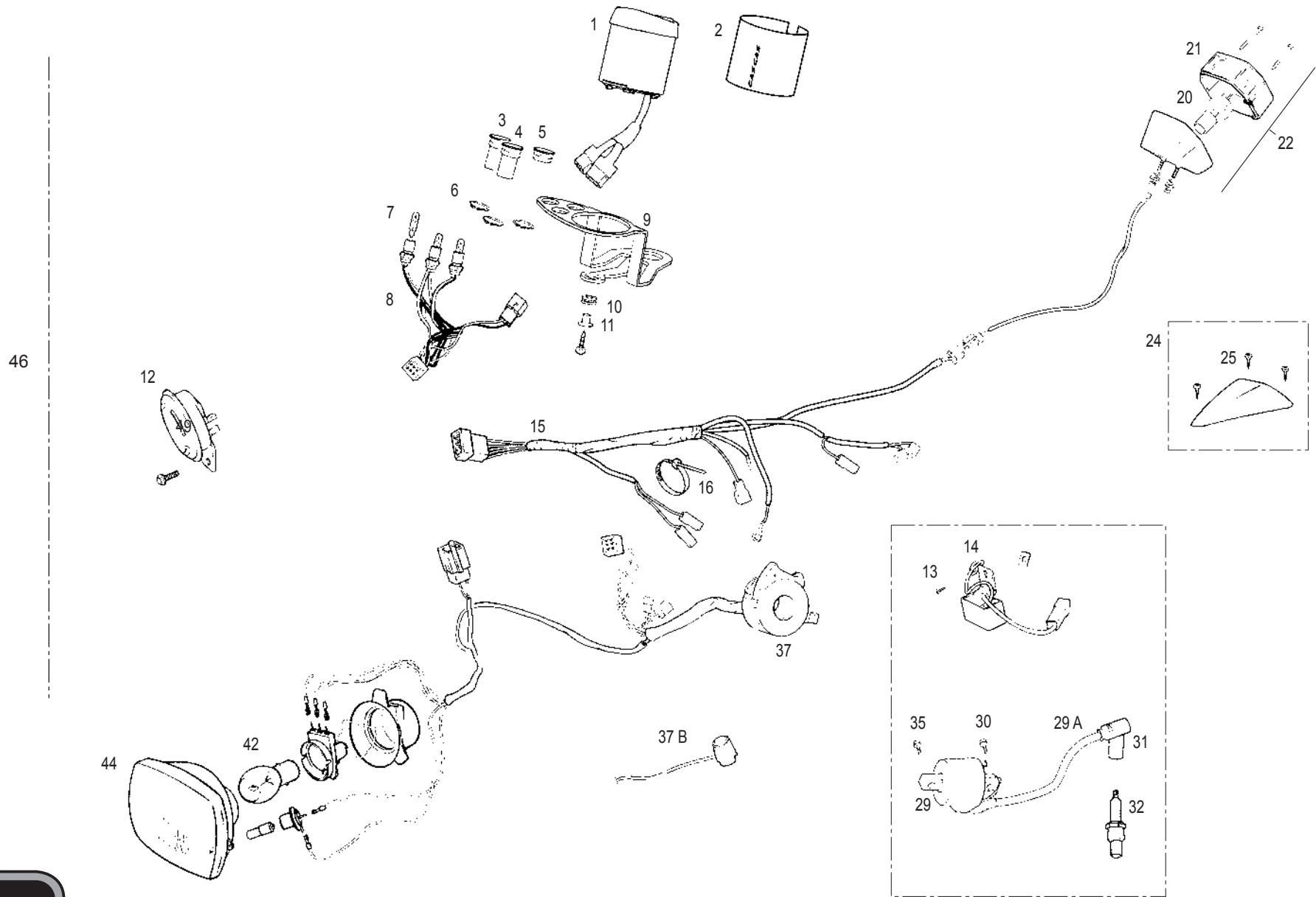
**TXT ROOKIE 05**



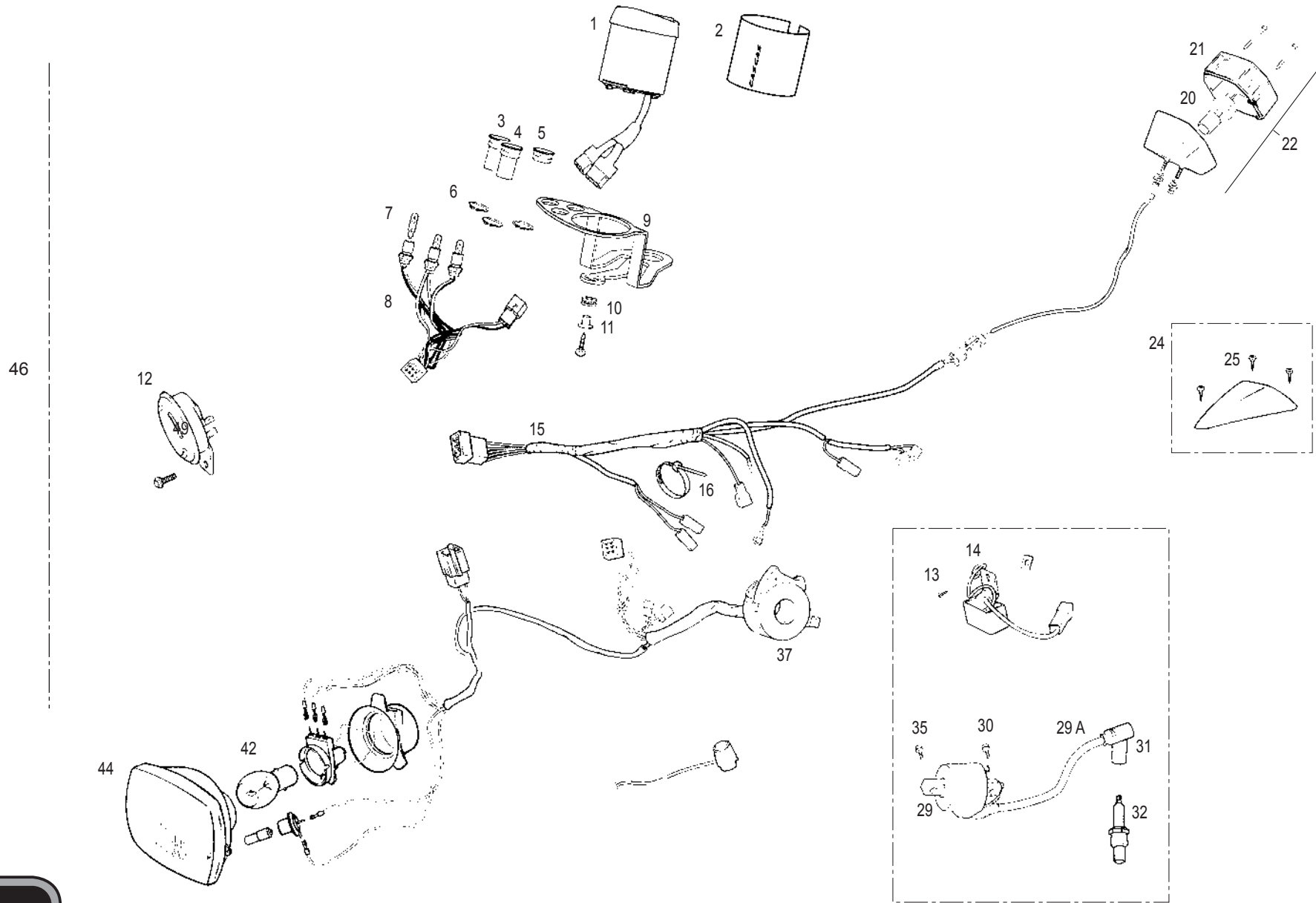
Nº	DESCRIPCIÓN / DESCRIPTION	TXT ROOKIE 05	Cant.
36	ULS 5X12 / 5X12 ULS	T0505012	1
37	TORNILLO ULS 6X20 / 6X20 ULS BOLT	T0506020	1
38	TUERCA EJE RUEDA TRASERA / NUT AXLE REAR WHEEL	R640001	2
39	ARANDELA EJE TRASERO 17X30X1,5 DIN 137 / DIN 137 17X30X1,5 REAR WASHER	BT280436014	1
40	EXCÉNTRICA TRASERA / REAR SAIL CAM ADJUSTER	R620001	2
41	ALLEN 6X18 / 6X18 SCREW	T0316018	2
42	PASTILLA FRENO TRASERA / REAR BRAKE PADS	BT280222068	2
43	DISCO FRENO TRASERO TRIAL 2003 / TRIAL 2003 REAR BRAKE DISK	BT280322012	1
44	DISTANCIADOR RUEDA TRASERA 7.5MM / 7.5MM REAR SPACER WHEEL	BT280218021	2
45	COJINETE 6004 / BEARING	C160001	1
46	CUBIERTA TRASERA 400X18 TBLS / REAR WHEEL TYRE	N200100	1
47	RUEDA TRASERA TRIAL / TRIAL REAR WHEEL	BRT070418100	1
48	RADIO 3.4X220 RUEDA TRASERA TRIAL / REAR SPOKE	BRT500118014	16
49	RADIO 3.4X215 RUEDA TRASERA TRIAL / REAR SPOKE	BRT500118015	16
50	TUERCA RADIOS 3.5MM. RUEDA TRASERA / REAR SPOKE NUT	BT27718016	32
51	VÁLVULA / AIR VALVE	N200110	1
54	EJE RUEDA TRASERA / REAR WHEEL AXLE	R590003	1
55	CORONA TRIAL SXX1 / SPOCKETT	BT280218034	1
55A	CORONA Z43 TRIAL SXX1 / SPOCKETT	BT280218024	1
56	TUERCA AUTOBLOCANTE M8 BAJA / M8 LOW SELF-LOCK NUT	T2108001	1
57	ULS 8X20 PLAT. PROT. / 8X20 ULS	T0508020	1
58	CADENA TRIAL / TRIAL CHAIN	BRT500110036	1
59	FLAP LLANTA TRASERA / REAR RIM FLAP	R500115	1
60	ABRAZADERA BLANCA / WHITE CLAMP	BT27710120	1
61	LLANTA RUEDA TRASERA / REAR WHEEL RIM	BRT500118011	1
62	SANGRADOR / BLEEDER	BE25622060	1
63	TAPÓN SANGRADOR / BLEEDER CAP	BT27922055	1
64	GOMA CABALLETE HOMOLOGADO / RUBBER SIDE STAND	BE25636000	1



Nº	DESCRIPCIÓN / DESCRIPTION	TXT ROOKIE 05	Cant.
1	ABRAZADERA / CLAMP	BT280328038	1
2	PLATINA EXTERIOR SOPORTE JAULA FILTRO TRIAL 2002 / EXTERNAL PLATE	BT280228021	1
3	TOBERA CAJA FILTRO TRIAL SXXI / TUBE, AIR CLEANER CONNECT.	BT280328017	1
4	PLATINA INTERIOR SOPORTE JAULA FILTRO TRIAL 2002 / INNER PLATE	BT280228020	1
5	JAULA FILTRO AIRE TRIAL 280-2002 / AIR CLEANER CAGE	BT280228002	1
6	FILTRO AIRE TRIAL XXI / AIR CLEANER	BT280328000	1
7	TETÓN ESPUMA FILTRO TRIAL 2002 / AIR CLEANER WASHER	BT280228008	1
8	VARILLA FILTRO TRIAL 2002 / AIR CLEANER ROD	BT280228003	1
9	CAJA FILTRO TRIAL 2003 / AIR CLEANER BOX	BT280328001	1
10	AD. PROTECTOR CAJA FILTRO / AIR CLEANER PROTECTOR SITCKER	BT280428024	1
11	ARANDELA / WASHER	T4006016	1
12	TORNILLO ROSCA-CHAPA 3,5X30 / 3,5X30 SCREW THREAD	BT280228034	7
13	GOMA PROTECCIÓN CAJA FILTRO / AIR CLEANER BOX PROTECTOR RUBBER	BT280420008	1
14	TUERCA M6 / M6 NUT	T2106002	4
15	TORNILLO ROSCA-CHAPA 3,5X12 / 3,5X12 SCREW THREAD	BT280228035	1
16	ADH. PROTECTOR ESCAPE AMIANTO / EXHAUST PROTECTOR STICKER	BT280238059	1
17	GOMA PROTECCIÓN ESPUMA FILTRO / AIR CLEANER PROTECTOR	BT280328036	1
18	ADAPTADOR CARBURADOR / CARBURETOR ADAPTER	BT250328040	1
19	VÁLVULA VACIADOR CAJA FILTRO TRIAL / TRIAL FILTER BOX VALVE	BT280428032	1
20	TORNILLO ROSCA-CHAPA 4,2X10 NEGRO / BLACK 4,2X10 SCREW	T0604210/2	2
21	CTO. CAJA FILTRO TRIAL PRO 2005 / TRIAL PRO 2005 FILTER BOX SET	BT280528001	1



Nº	DESCRIPCIÓN / DESCRIPTION	TXT ROOKIE 05	Cant.
1	MULTIFUNCIÓN TRIAL / TRIAL MULTIFUNCTION	BT280234005	1
2	ADHESIVO FIBRA MULTIFUNCIÓN / MULTIFUNCTION FIBER STICKER	BT27938040	1
3	TESTIGO LUZ POSICIÓN / SHORT LIGHT INDICATOR	BE250134037	1
4	TESTIGO LUZ LARGA / LONG LIGHT INDICATOR	BE250134038	1
5	TAPÓN NEGRO / BLACK CAP	BE250134043	1
6	CLIP TESTIGO / LIGHT CLIP	BE250134042	3
7	BOMBILLA 12V 1,2-9W / 12V 1,2-9W BULB	L300123	3
8	CABLEADO ILUMINACIÓN / ILLUMINATION INSTALLATION	BE250134023	1
9	SOPORTE CUENTA KM. / KM. COUNTER SUPPORT	BT280234045H	1
10	SILENTBLOCK GOMA / RUBBER SILENTBLOCK	G200000	1
11	CASQUILLO / BUSHING	B560040	1
12	CTO. CLAXON PE40065G11 / HORN ASSY	L300105	1
13	TORNILLO ESPECIAL 6X14 / 6X14 SPECIAL SCREW	T0206014	1
14	REGULADOR ALTERNADOR / ALTERNATOR REGULATOR	L300031	1
15	INSTALACIÓN TRIAL HOMOLOGADA / HOMOL. INSTALLATION	BT280434014	1
16	BRIDA UNEX MEDIANA / UNEX CLAMP	BE25634009	5
17	ULS 6X16 NEGRO / 6X16 ULS BLACK BOLT	-	2
18	TUERCA CON ARANDELA M6 / M6 NUT WITH WASHER	-	2
19	INTERMITENTE DERECHO TRASERO / RIGHT REAR INDICATOR	-	1
20	BOMBILLA 12V 5-21W / 12V 5-21W BULB	L300116	1
21	CRISTAL FARO TRASERO HOMOLOGADO / HOMOL. REAR LIGHT CAP	BP25734115	1
22	FARO PILOTO TRIAL HOMOLOGADO / HOMOL. TRIAL REAR LIGHT SET	BT280334015	1
23	INTERMITENTE IZQUIERDO TRASERO / LEFT REAR INDICATOR	-	1
24	FARO PILOTO TRIAL / TRIAL REAR LIGHT SET	-	1
25	TORNILLO ROSCA CHAPA 4X16 PHILIPS / 4X16 PHILIPS SCREW	T0604016	3
26	LAMPARA LEDS / ELECTRONIC LEDS LAMP	-	1
28	BOBINA / ELECTRIC COIL	-	1
29	BOBINA KOKUSAN IG3815 / KOKUSAN ELECTRIC COIL	Y00141735	1
29A	CABLE 30 CM BOBINA / ELECTRIC COIL 30 CM CABLE	BIE500134033	1
30	ALLEN 6X20 / 6X20 ALLEN BOLT	T0306020	2
31	PIPA BUJÍA IB05EMH = BT27934000 / SPARK PLUG	BE25934000	1
32	BUJÍA BPR5ES / SPARK PLUG	M04012000	1
34	CDI DIGITAL CU77516 TRIAL 125/200 2005 / TRIAL 2005 DIGITAL CDI	-	1
35	SOPORTE CDI TRIAL 2002 / TRIAL 2002 CDI SUPPORT	-	1
36	ALLEN 6X14 / 6X14 ALLEN	-	1
37	CONMUTADOR LUZ TT-97 / TT-97 LIGHT SWITCH	BE25734001	1
37B	BOTÓN DE PARO (MODELOS NO HOMOLOGADOS) / STOP BUTTON (NON APPROVED MODELS)	BIT50034055	1





Nº	DESCRIPCIÓN / DESCRIPTION	TXT ROOKIE 05	Cant.
38	INTERMITENTE DERECHO DELANTERO / FRONT RIGHT INDICATOR	-	1
39	TORNILLO PHILIPS ROSCA-CHAPA 6.3x16 NEGRO / 6.3X16 BLACK SCREW	-	2
40	SOPORTE INTERMITENTE DELANTERO / FRONT INDICATOR SUPPORT	-	2
41	INTERMITENTE IZQUIERDO DELANTERO / FRONT LEFT INDICATOR	-	1
42	BOMBILLA 12V 10W / 12V 10W BULB	-	4
43	CRISTAL INTERMITENTE / INDICATOR COVER	-	4
44	LÁMPARA 12V15W CASQUETE / 12V15W LAMP	L300115	1
45	ÓPTICA FARO HOMOLOGADO / HEADLIGHT	BT280120022	1
46	INSTALACIÓN TRIAL COMPLETA / ELECTRICAL INSTALLATION SET	-	1

# DESPIECE PART LIST

## TXT ROOKIE

### 2005

**GAS GAS**

RECOMIENDA EL USO DE ACEITE:



Ref.: PUO10638013

**Fecha de impresión: Julio 2005**

Los componentes aquí expuestos y referenciados se basan en los datos existentes en la fecha de impresión de este manual. GAS GAS Motos, S.A. se reserva el derecho de efectuar cambios y/o modificaciones sin previo aviso.