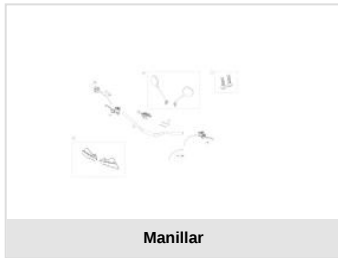


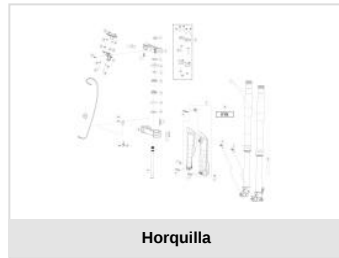


# EC 250cc 2019

## Exploded



**Manillar**



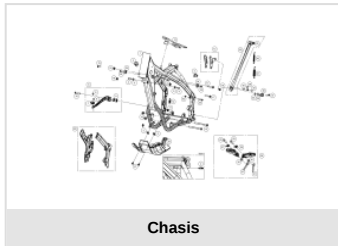
**Horquilla**



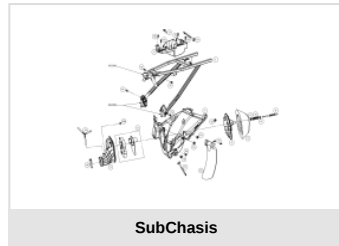
**Repuestos Horquilla**



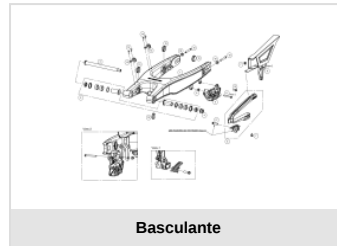
**Herramientas KYB**



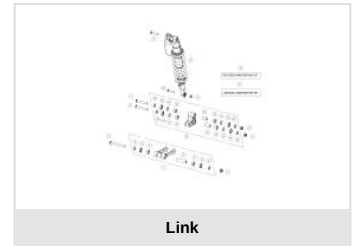
**Chasis**



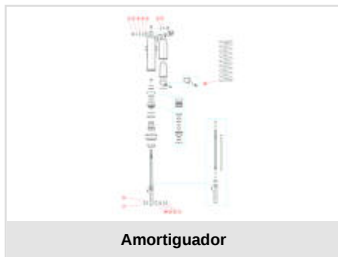
**SubChasis**



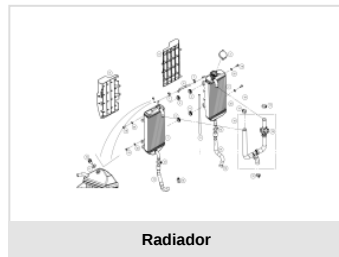
**Basculante**



**Link**



**Amortiguador**



**Radiador**



**Parte Eléctrica**



**Guardabarros delantero**



**Faro Delantero**



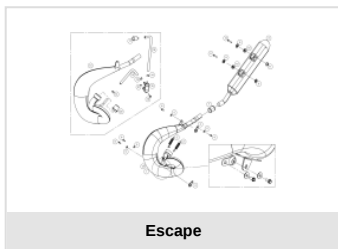
**Depósito**



**Plástica Trasera**



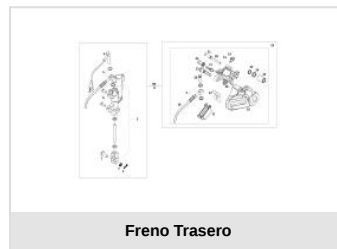
**Adhesivos**



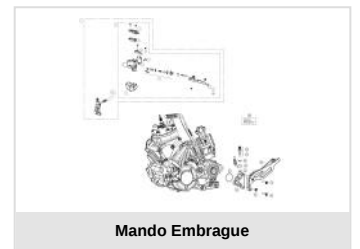
**Escape**



**Freno Delantero**



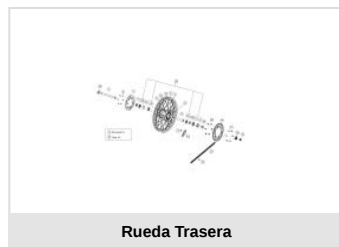
**Freno Trasero**



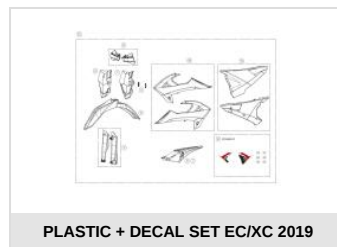
**Mando Embrague**



**Rueda Delantera**

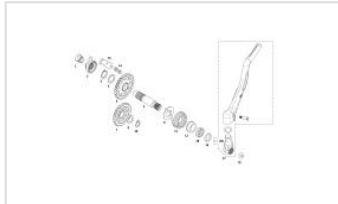


**Rueda Trasera**

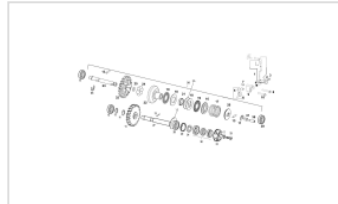


**PLASTIC + DECAL SET EC/XC 2019**

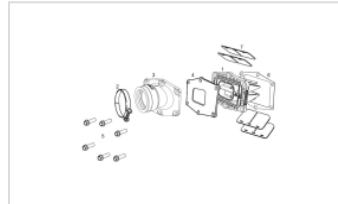
**XC 2T 2019 - Engine**



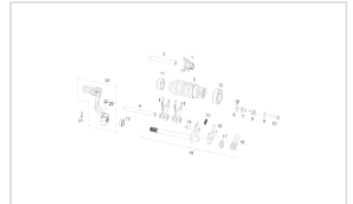
**Palanca de arranque**



**Bomba de agua**



**Válvula de láminas**



**Eje de Cambio**



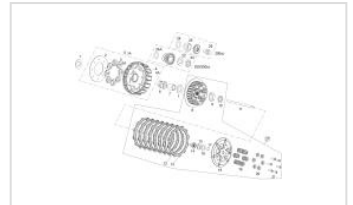
**Cárter de Motor**



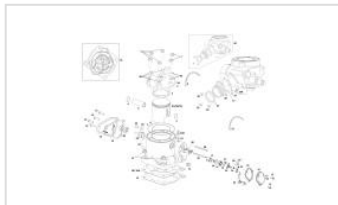
**Generador**



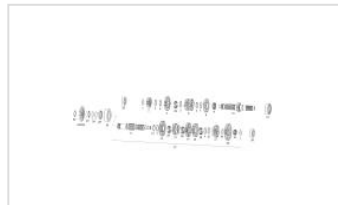
**Cigüeñal**



**Embrague**



**Cilindro**



**Cambio**

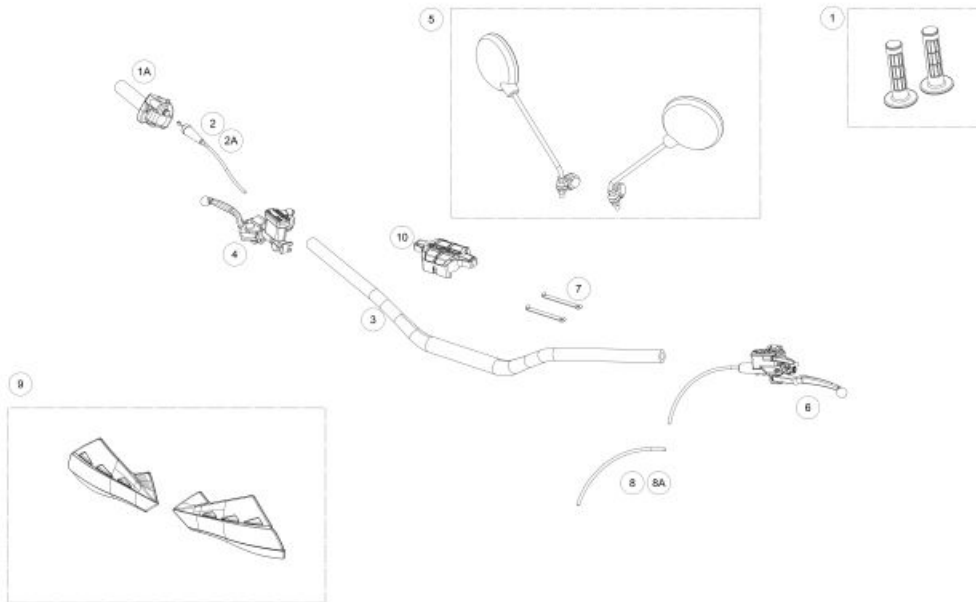


**Carburador**



**Herramientas Motor**

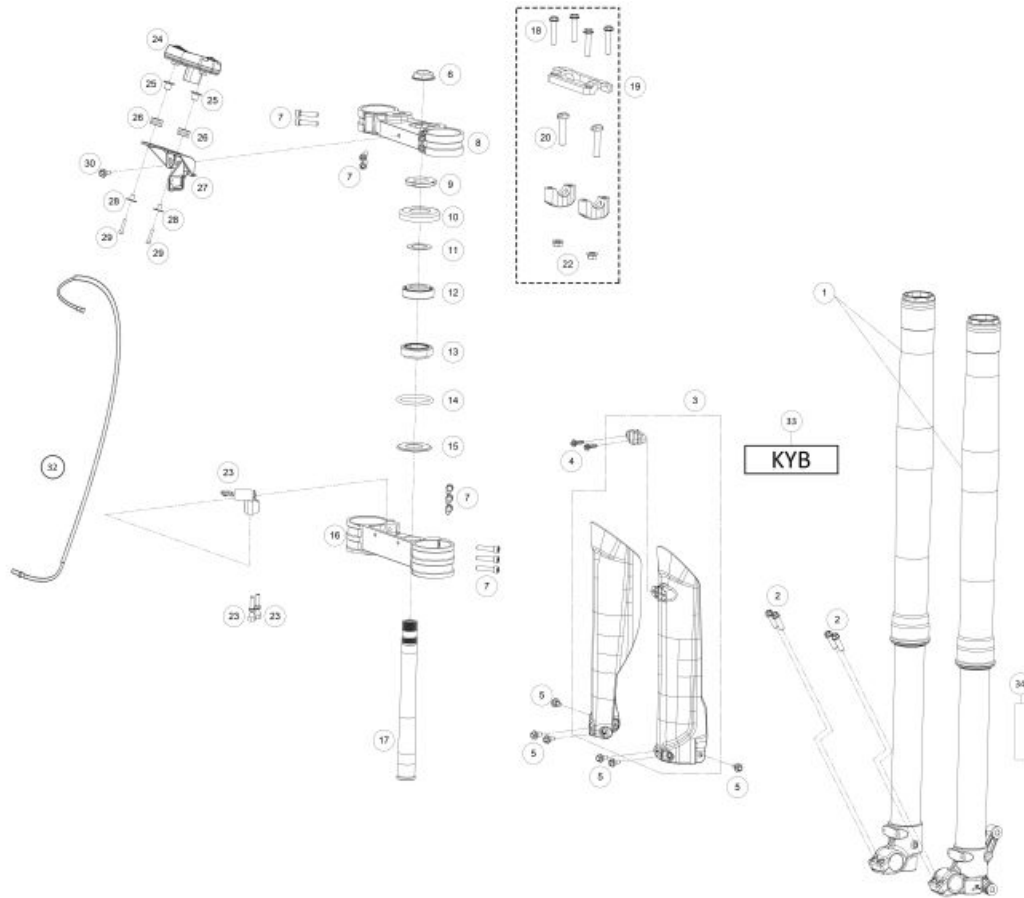
**Manillar**



1	JUEGO EMPUÑADURAS NEGRO BE26100GG-CSK-1 (u. 1)	OBSOLETE
	JUEGO EMPUÑADURAS NEGRO 0/000.530.9101 (u. 1)	
1A	PUÑO GAS TT (3291.03.00-1) 0/000.530.9100 (u. 1)	OBSOLETE
	PUÑO GAS TT (3291.03.00-1) BE25724007 (u. 1)	
2	CABLE DE GAS ENDURO 2018 BE78500GG-CLJ-1 (u. 1)	OBSOLETE
	CABLE DE GAS ENDURO 2018 0/000.550.9101 (u. 1)	
2A	CABLE DE GAS ENDURO 2018 DE HOMOLOGACION BE78501GG-CLJ-1 (u. 1)	OBSOLETE
	CABLE DE GAS ENDURO 2018 DE HOMOLOGACION 0/000.550.9102 (u. 1)	
3	MANILLAR ENDURO SIN BARRA 2019 0/000.170.9101 (u. 1)	OBSOLETE
	MANILLAR ENDURO SIN BARRA 2019 BE25000GG-CSK-1 (u. 1)	
4	BOMBA FRENO DEL.NISSIN=BC25922008 BC25922008/2 (u. 1)	
5	CTO.ESPEJO RETROVISOR(REG 81) BT29000GG-CKR-1 (u. 1)	OBSOLETE
	CTO.ESPEJO RETROVISOR(REG 81) 0/000.990.9100 (u. 1)	
6	CTO.EMBR.EC MAGURA 9.5 DOT-4 (167) BE45000003011 (u. 1)	OBSOLETE
	CTO.EMBR.EC MAGURA 9.5 DOT-4 (167) 0/000.830.9101 (u. 1)	

7	GOMA SUJ.CABLEADOS 0/000.360.9110 (u. 2)	
	GOMA SUJ.CABLEADOS BFS450320067 (u. 2)	<b>OBSOLETE</b>
8A	CABLE STARTER ENDURO 2018 0/000.550.9100 (u. 1)	
	CABLE STARTER ENDURO 2018 BE25601GG-CLJ-1 (u. 1)	<b>OBSOLETE</b>
9	CTO. PARAMANOS POLISPORT BL.S BE90000223012 (u. 1)	
10	ESPUMA MANILLAR EC 2019 0/000.220.9105 (u. 1)	
	ESPUMA MANILLAR EC 2019 BE25001GG-CSK-1 (u. 1)	<b>OBSOLETE</b>

**Horquilla**



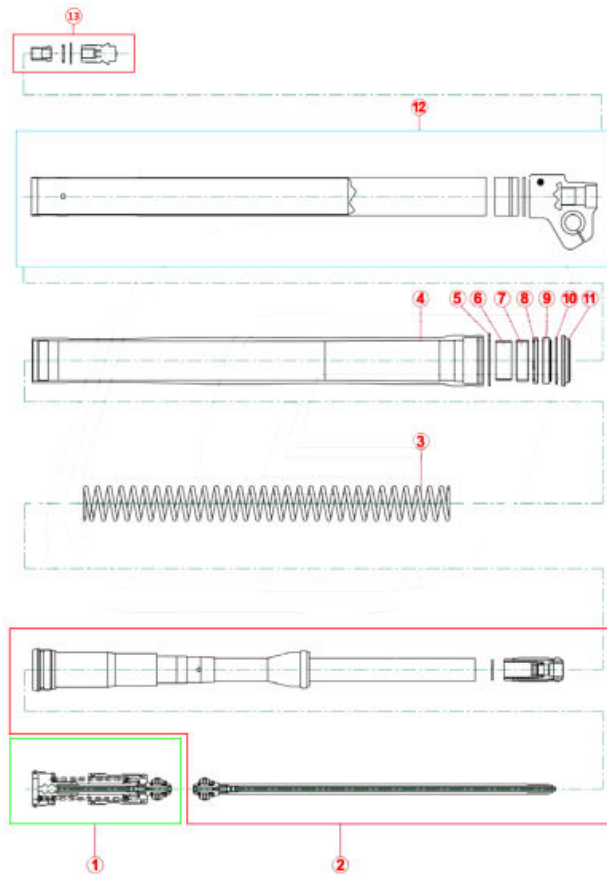
1	CTO.SUSPENSION KYB DIAMETRO 48 BE20000CT-CLJ-1 (u. 1)	
2	TORN.ESP.8X25 T0228025 (u. 4)	<b>OBSOLETE</b>
	TORN.ESP.8X25 GEOMET 10.9 0/000.460.9137 (u. 4)	
3	JUEGO PROT.HORQ.EC 2018 BL. BE94600CT-CLJ-1 (u. 1)	
4	TORNILLO DEPÓSITO - SILLÍN Ø6x23 (EJOT ref. 05100519) T0806023 (u. 2)	
	TORNILLO ESPECIAL ROSCA PLASTICO CABOTA HEXAGONAL CON ARANDELA 6X20 T0806020 (u. 2)	
5	TORN.ESP.6X8 PLASTICO T0806008 (u. 6)	<b>OBSOLETE</b>
	TORN.ESP.6X8 DRACOMET 0/000.460.9162 (u. 6)	
6	TUERCA DIR.SUP. BE25610030 (u. 1)	<b>OBSOLETE</b>
	TUERCA DIR.SUP. 0/000.340.9102 (u. 1)	
7	ALLEN 7X30 DIN 912 ZINC 12.9 0/000.460.9151 (u. 10)	<b>OBSOLETE</b>
	ALLEN DIN 912 7X30 12.9 ZN T0307030 (u. 10)	
8	BRIDA SUP.SUSP.NG. 0/000.660.9102 (u. 1)	<b>OBSOLETE</b>
	BRIDA SUP.SUSP.NG. BE22000GG-CLJ-1 (u. 1)	

9	TUERCA DIR.INFE. BE25610029 (u. 1)	OBSOLETE
	TUERCA DIR.INFE. 0/000.340.9101 (u. 1)	
10	GUARDAPOLVO COJ.DIR.TT NEGRO 0/000.200.9100 (u. 1)	OBSOLETE
	GUARDAPOLVO COJ.DIR.TT NEGRO BE24005GG-CSK-1 (u. 1)	
11	ARANDELA DIR.INF. BE25610028 (u. 1)	OBSOLETE
	ARANDELA DIR.INF. 0/000.440.9101 (u. 1)	
12	COJINETE DIR.30205A BE25610008 (u. 1)	OBSOLETE
	COJINETE DIR.30205A 0/000.960.9101 (u. 1)	
13	COJINETE DIR.INF.320/28 BE250610008 (u. 1)	OBSOLETE
	COJINETE DIR.INF.320/28 0/000.960.9100 (u. 1)	
14	TORICA DIR.50X5 0/000.490.9102 (u. 1)	OBSOLETE
	TORICA DIR.50X5 BE25610012 (u. 1)	
15	CAZOLETA DIR.D28 0/000.200.9101 (u. 1)	OBSOLETE
	CAZOLETA DIR.D28 BE250610026 (u. 1)	
16	BRIDA INF.SUSP.NG. BE21000GG-CLJ-1 (u. 1)	OBSOLETE
	BRIDA INF.SUSP.NG. 0/000.660.9100 (u. 1)	
17	EJE DIRECCION BE24000GG-CLJ-1 (u. 1)	OBSOLETE
	EJE DIRECCION 0/000.190.9100 (u. 1)	
18	TORN.ESP.8X40 T0228040 (u. 4)	OBSOLETE
	TORN.ESP.8X40 GEOMET 10.9 0/000.460.9140 (u. 4)	
19	CTO. BRIDAS MANILLAR EC 2019 BE25700CT-CSK-1 (u. 1)	
20	TORN.ESP.10X45 BRIDA INF. G5 12.9 0/000.460.9113 (u. 2)	OBSOLETE
	TORN.ESP.10X45 BRIDA INF. T0201045 (u. 2)	
22	TUERCA AUTOB.M10 PASO 1.50 ARAND. DIN 6926 ZINC 8 0/000.340.9124 (u. 2)	OBSOLETE
	TUERCA AUTOB.M10 PASO 1.50 ARAND. T3110003 (u. 2)	
23	KIT BLOQUEO DIRECCION ENDURO 2018 BE15025CT-CLJ-1 (u. 1)	
24	CTO.MULTIFUNCION "EVEREST" EC 2018 EE60000CT-CLJ-1 (u. 1)	
	CTO.MULTIFUNCION "EVEREST" EC 2018 0/001.000.9100 (u. 1)	

25	CASQ.ALUMINIO SILENBLOCK FIJ.RAD. BT700903013 (u. 2)	OBSOLETE
	CASQ.ALUMINIO SILENBLOCK FIJ.RAD. 0/000.480.9116 (u. 2)	
26	GOMAS RAD.A CHASIS =BE25632003 G220000 (u. 2)	OBSOLETE
	GOMAS RAD.A CHASIS =BE25632003 0/000.360.9112 (u. 2)	
27	SOPORTE MULTIFUNCION 0/000.980.9108 (u. 1)	
	SOPORTE MULTIFUNCION EE65000GG-CSK-1 (u. 1)	
28	CASQ.GOMA MULTIFUNION ENDURO 2018 EE65025GG-CLJ-1 (u. 2)	
	CASQ.GOMA MULTIFUNION ENDURO 2018 0/000.480.9118 (u. 2)	
29	ALLEN 4X16 DIN 912 INOX A2 T0304016 (u. 2)	OBSOLETE
	ALLEN 4X16 DIN 912 INOX A2 0/000.460.9143 (u. 2)	
30	TORN.ESP.6x7 DRACOMET 0/000.460.9161 (u. 1)	
	TORN.ESP.6x7 PLASTICO T0806007 (u. 1)	
32	SENSOR CUENTA KM ENDURO 0/001.010.9100 (u. 1)	
	SENSOR CUENTA KM ENDURO BE250634050 (u. 1)	
33	KIT ADH.BARRAS KAYABA ENDURO 2018 BE95285GG-CLJ-1 (u. 1)	
34	CATADRIOPTICO ADHESIVO (8159) 0/000.630.9102 (u. 2)	OBSOLETE
	CATADRIOPTICO ADHESIVO (8159) BE93915GG-CRB-1 (u. 2)	

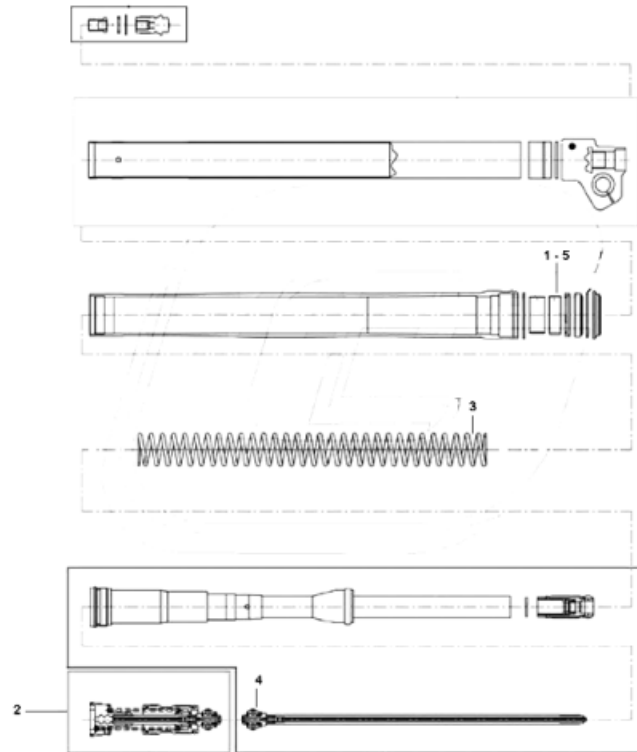


**Repuestos Horquilla**



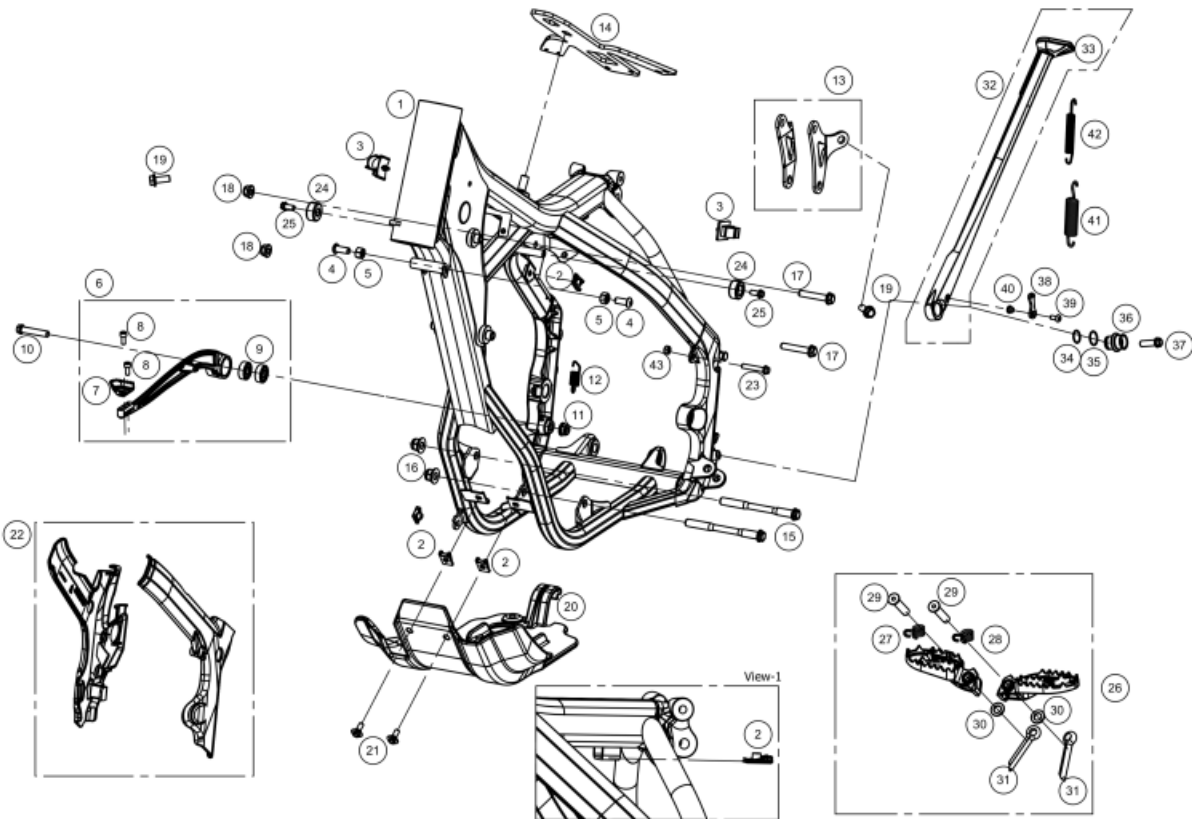
1	CTO.TAPON CARTUCHO SUSPENSION KAYABA ENDURO BE20240CT-CLJ-1 (u. 1)
2	CTO.HIDRAULICO SUSPENSION KAYABA ENDURO BE20220GG-CLJ-1 (u. 1)
3A	CTO.MUELLES SUSPENSION 4.0 KAYABA ENDURO BE20170CT-CLJ-1 (u. 1)
3B	CTO.MUELLES SUSPENSION 4.2 KAYABA ENDURO BE20171CT-CLJ-1 (u. 1)
3C	CTO.MUELLES SUSPENSION 4.4 KAYABA ENDURO BE20172CT-CLJ-1 (u. 1)
4	CTO.BOTELLA SUSPENSION KAYABA ENDURO BE20100CT-CLJ-1 (u. 1)
5	ANILLO RETENCION SUSPENSION KAYABA ENDURO BE20145GG-CLJ-1 (u. 1)
6	GLACIER BOTELLA SUSPENSION KAYABA ENDURO BE20150GG-CLJ-1 (u. 1)
7	GLACIER BARRA SUSPENSION KAYABA ENDURO BE20151GG-CLJ-1 (u. 1)
8	ARANDELA SUSPENSION KAYABA ENDURO BE20186GG-CLJ-1 (u. 1)
9	CTO.RETENES SUSPENSION KAYABA ENDURO BE20140CT-CLJ-1 (u. 1)
10	CTO. CIRCLIP SUSPENSION KAYABA ENDURO BE20135GG-CLJ-1 (u. 1)
11	CTO.GUARDAPOLVO SUSPENSION KAYABA ENDURO BE20130CT-CLJ-1 (u. 1)
12A	CTO.BARRA SUSPENSION DERECHA KAYABA ENDURO BE20110CT-CLJ-1 (u. 1)

<b>12B</b>	CTO.BARRA SUSPENSION IZQUIERDA KAYABA ENDURO BE20115CT-CLJ-1 (u. 1)
<b>13</b>	TAPON REGULACION EXTENSION SUSPENSION KAYABA ENDURO BE20120GG-CLJ-1 (u. 1)

**Herramientas KYB**


- |   |   |
|---|---|
| 1 | UTIL RETEN SUSPENSION KAYABA ENDURO<br>BE20225GG-CLJ-1 (u. 1)                 |
| 2 | LLAVE TAPON SUSPENSION KAYABA ENDURO<br>BE21105GG-CLJ-1 (u. 1)                |
| 3 | UTIL SOPORTE PISTON AJUSTE SUSPENSION KAYABA ENDURO<br>BE20230GG-CLJ-1 (u. 1) |
| 4 | LLAVE TAPON CARTUCHO SUSPENSION KAYABA ENDURO<br>BE21106GG-CLJ-1 (u. 1)       |
| 5 | UTIL INSERTADOR RETEN SUSPENSION KAYABA ENDURO<br>BE20235GG-CLJ-1 (u. 1)      |

**Chasis**



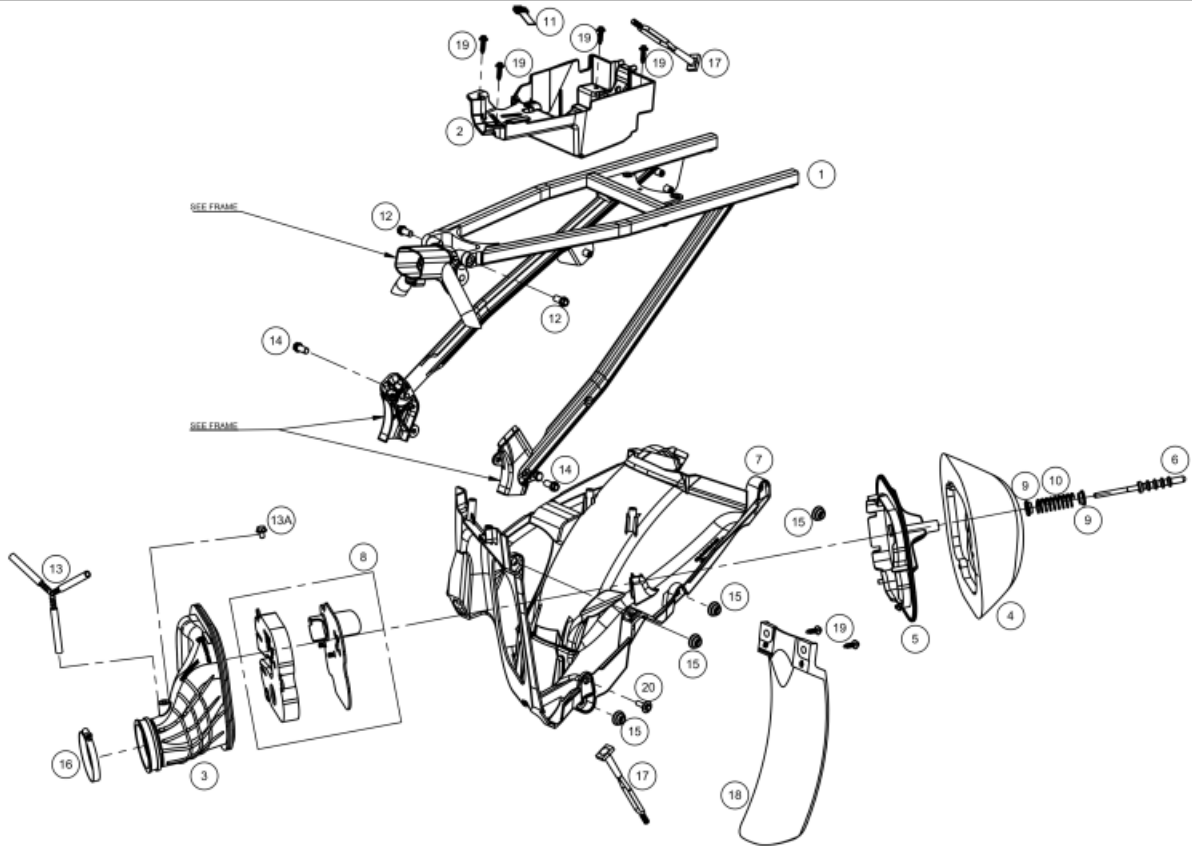
1	CHASIS EC 250 300 2T 2018 ROJO BE10000CT-CLJ-1 (u. 1)	
2	TUERCA NUT 956 RAPIDA M-6 HRC 40/48 0/000.340.9120 (u. 5)	
3	CLIP (1E3J) SUJECIÓN INSTALACIÓN ENDURO 2018 0/000.630.9100 (u. 2)	
3	CLIP (1E3J) SUJECIÓN INSTALACIÓN ENDURO 2018 BE10984GG-CLJ-1 (u. 2)	<b>OBSOLETE</b>
4	ULS 8x25 ISO 7380-1 ZN 10.9 0/000.460.9157 (u. 2)	
4	ULS 8x25 T0508025 (u. 2)	<b>OBSOLETE</b>
5	TUERCA tope DIR.M8x13x8 ZINCADA BL.BN133 T2008002 (u. 2)	<b>OBSOLETE</b>
5	TUERCA tope DIR.M8x13x8 ISO 4033 ZINC 0/000.340.9109 (u. 2)	
6	PEDAL FRENO ENDURO 2018 0/000.730.9100 (u. 1)	
6	PEDAL FRENO ENDURO 2018 BE13000CT-CLJ-1 (u. 1)	<b>OBSOLETE</b>
7	PUNTERA PEDAL FRENO BE130102510 (u. 1)	
8	ALLEN 5x12 T0305012 (u. 2)	
9	RODAMIENTO 628-2RS BE130255GG-CLJ-1 (u. 2)	

10	TORN.ESP.8X40 GEOMET 10.9 0/000.460.9140 (u. 1)	
	TORN.ESP.8X40 T0228040 (u. 1)	OBSOLETE
11	TUERCA AUTOBL+ARANDELA M8 T2208002 (u. 1)	OBSOLETE
	TUERCA AUTOBL + ARANDELA M8 ZINC 0/000.340.9119 (u. 1)	
12	MUELLE PEDAL FRENO 2014 BE13015GG-CAB-1 (u. 1)	OBSOLETE
	MUELLE PEDAL FRENO 2014 0/000.470.9100 (u. 1)	
13A	CTO.TIRANTE CULATA ENDURO 200 BE11100CT-CLP-1 (u. 1)	
13	CTO.TIRANTE CULATA ENDURO 250 300 2018 BE11100CT-CLJ-1 (u. 1)	
14	GOMA PROT.DEP.GASOL.ENDURO 2018 0/000.220.9116 (u. 1)	
	GOMA PROT.DEP.GASOL.ENDURO 2018 BE76045GG-CLJ-1 (u. 1)	OBSOLETE
15	TORNILLO MOTOR M10x113 T0210113 (u. 2)	OBSOLETE
	TORNILLO MOTOR M10x113 GEOMET 10.9 0/000.460.9132 (u. 2)	
16	TUERCA AUTOB.M10 PASO 1.25 PLATA T3110002 (u. 2)	OBSOLETE
	TUERCA AUTOB.M10 PASO 1.25 ZINC 8 0/000.340.9123 (u. 2)	
17	TORNILLO ESPECIAL 8X50 T0228050 (u. 1)	OBSOLETE
	TORNILLO ESPECIAL 8X50 GEOMET 10.9 0/000.460.9141 (u. 1)	
18	TUERCA AUTOBL + ARANDELA M8 ZINC 0/000.340.9119 (u. 2)	
	TUERCA AUTOBL+ARANDELA M8 T2208002 (u. 2)	OBSOLETE
19	TORNILLO ESPECIAL 8X20 T0228020 (u. 1)	OBSOLETE
	TORNILLO ESPECIAL 8X20 GEOMET 10.9 0/000.460.9136 (u. 1)	
20	PROT.CARTER ENDURO 2018 0/000.220.9100 (u. 1)	
	PROT.CARTER ENDURO 2018 BE11500GG-CLJ-1 (u. 1)	OBSOLETE
21	TORNILLO ESPECIAL ROSCA PLASTICO CABOTA HEXAGONAL 6X12 DRACOMET 0/000.460.9101 (u. 2)	
	TORNILLO ESPECIAL ROSCA PLASTICO CABOTA HEXAGONAL 6X12 T0806012 (u. 2)	OBSOLETE
22	KIT PROTECTORES LATERALES CHASIS ROJO EC 2019 BE19001CT-CLJ-1 (u. 1)	
23	TORN.ESP.M6X35 DIN 6921 GEOMET 0/000.460.9124 (u. 1)	
	TORN.ESP.M6X35 T0206035 (u. 1)	OBSOLETE

24	SILENTBLOCK+ARANDELA DEP.GASOL. 0/000.360.9106 (u. 2)	
	SILENTBLOCK+ARANDELA DEP.GASOL. BE76066GG-CLJ-1 (u. 2)	OBSOLETE
25	EXAG.6x14+ARANDELA INCORP. T0206014 (u. 2)	OBSOLETE
	EXAG+ARANDELA 6x14 DIN 6921 0/000.460.9118 (u. 2)	
26	CTO. ESTRIBOS EC 2018 BE14005CT-CLJ-1 (u. 1)	
27	MUELLE ESTRIBO DCH. BE14030GG-CLJ-1 (u. 1)	OBSOLETE
	MUELLE ESTRIBO DCH. 0/000.470.9101 (u. 1)	
28	MUELLE ESTRIBO IZQ. BE14035GG-CLJ-1 (u. 1)	OBSOLETE
	MUELLE ESTRIBO IZQ. 0/000.470.9102 (u. 1)	
29	CASQUILLO PASADOR ESTRIBOS BE14025GG-CAB-1 (u. 2)	OBSOLETE
	CASQUILLO PASADOR ESTRIBOS 0/000.480.9101 (u. 2)	
30	ARANDELA PLANA 10x20x2 DIN 125A ZINC 0/000.440.9115 (u. 2)	
	ARANDELA PLANA 10x20x2 T4001020 (u. 2)	OBSOLETE
31	PASADOR CLAVIJA DIN 94 ISO 1234 BE14040GG-CEQ-1 (u. 2)	OBSOLETE
	PASADOR CLAVIJA DIN 94 0/000.840.9100 (u. 2)	
32	CTO.CABALLETE ENDURO 2018 BE14200CT-CLJ-1 (u. 1)	
33	CTO. CABALLETE ECRANGER BE14200CT-CTR-1 (u. 1)	
	BASE DEL CABALLETE ENDURO 2018 0/000.570.9100 (u. 1)	
	BASE DEL CABALLETE ENDURO 2018 BE14255GG-CLJ-1 (u. 1)	OBSOLETE
34	TORICA CASQUILLO CABALLETE 15x1,5 0/000.490.9100 (u. 1)	
	TORICA CASQUILLO CABALLETE 15x1,5 BE14260GG-CLJ-1 (u. 1)	OBSOLETE
35	TORICA CASQUILLO CABALLETE 17x1,5 BE14261GG-CLJ-1 (u. 1)	OBSOLETE
	TORICA CASQUILLO CABALLETE 17x1,5 0/000.490.9101 (u. 1)	
36	CASQ.SUJ.CABALLETE ENDURO 2018 BE14220GG-CLJ-1 (u. 1)	OBSOLETE
	CASQ.SUJ.CABALLETE ENDURO 2018 0/000.480.9102 (u. 1)	
37	TORN.ESP.8X25 GEOMET 10.9 0/000.460.9137 (u. 1)	
	TORN.ESP.8X25 T0228025 (u. 1)	OBSOLETE

38	LLEVA CABALLETE ENDURO 2018 BE14230GG-CLJ-1 (u. 1)	OBSOLETE
	LLEVA CABALLETE ENDURO 2018 0/000.830.9100 (u. 1)	
39	ULS 5X16 PRO.PIÑ. T0505016 (u. 1)	OBSOLETE
	ULS 5X16 ISO 7380-1 ZINC 12.9 0/000.460.9155 (u. 1)	
40	CASQUILLO LLEVA CABALLETE ENDURO 0/000.480.9103 (u. 1)	OBSOLETE
	CASQUILLO LLEVA CABALLETE ENDURO BE14231GG-CLJ-1 (u. 1)	
41	MUELLE EXTERIOR CABALLETE ENDURO 2018 0/000.470.9103 (u. 1)	OBSOLETE
	MUELLE EXTERIOR CABALLETE ENDURO 2018 BE14245GG-CLJ-1 (u. 1)	
42	MUELLE INTERIOR CABALLETE ENDURO 2018 BE14250GG-CLJ-1 (u. 1)	OBSOLETE
	MUELLE INTERIOR CABALLETE ENDURO 2018 0/000.470.9104 (u. 1)	
43	TUERCA AUTOBL.BAJA M-6 (DIN 985) T2106001 (u. 1)	OBSOLETE
	TUERCA AUTOBL.BAJA M-6 DIN 985 ZN CR3 6 0/000.340.9113 (u. 1)	

**SubChasis**

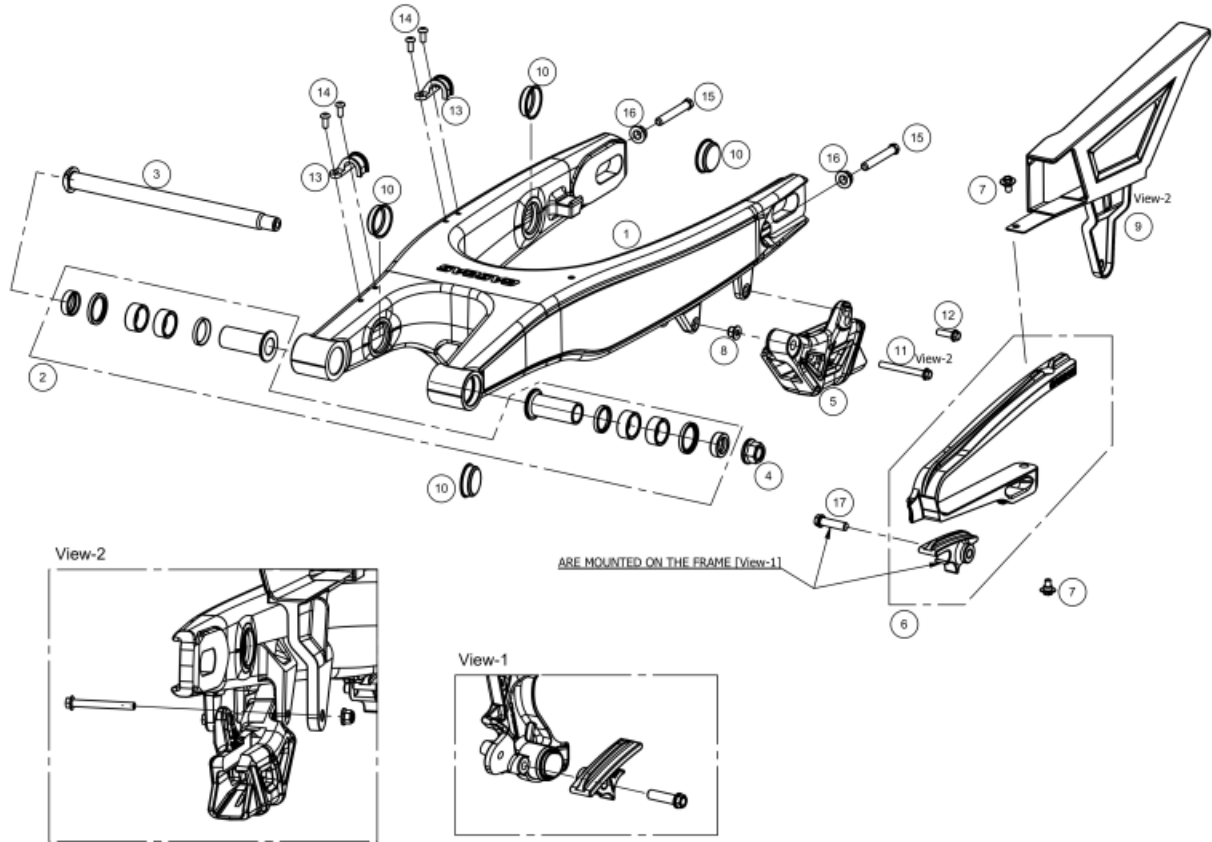


1	SUBCHASIS EC 2018 0/000.010.9102 (u. 1)	
	SUBCHASIS EC 2018 BE12000CT-CLJ-1 (u. 1)	<b>OBSOLETE</b>
2	SOP.BATERIA -CDI-RELE ARRANQUE EC 2018 0/000.570.9101 (u. 1)	
	SOP.BATERIA -CDI-RELE ARRANQUE EC 2018 BE41010GG-CLJ-1 (u. 1)	<b>OBSOLETE</b>
3	TUBERA C.FILTRO.EC 2018 BE79200GG-CLJ-1 (u. 1)	<b>OBSOLETE</b>
	TUBERA C.FILTRO.EC 2018 0/000.360.9113 (u. 1)	
4	FILTRO AIRE EC 2018 (OEM158084X) 0/001.070.9100 (u. 1)	
	FILTRO AIRE EC 2018 (OEM158084X) BE79500GG-CLJ-1 (u. 1)	<b>OBSOLETE</b>
5	ARAÑA FILTRO EC 2018 0/000.570.9104 (u. 1)	
	ARAÑA FILTRO EC 2018 BE79505GG-CLJ-1 (u. 1)	<b>OBSOLETE</b>
6	VARILLA FILTRO AIRE EC-2007 BE250728003 (u. 1)	
7	C.FILTRO.ENDURO 2018 0/000.570.9103 (u. 1)	
	C.FILTRO.ENDURO 2018 BE79000GG-CLJ-1 (u. 1)	<b>OBSOLETE</b>
8	KIT RESTRICTOR FILTRO DE AIRE BE79800CT-CLJ-1 (u. 1)	



9	ARAND.NYLON TOPE MUELLE C.FILTRO.EC-2007 0/000.440.9100 (u. 2)	
	ARAND.NYLON TOPE MUELLE C.FILTRO.EC-2007 BE250728052 (u. 2)	OBSOLETE
10	MUELLE VARILLA C.FILTRO.EC-2007 BE250728051 (u. 1)	OBSOLETE
	MUELLE VARILLA C.FILTRO.EC-2007 0/000.470.9105 (u. 1)	
11	GOMA SUJ.CDI BE250034100 (u. 1)	OBSOLETE
	GOMA SUJ.CDI 0/000.360.9101 (u. 1)	
12	TORN.ESP.8X25 T0228025 (u. 2)	OBSOLETE
	TORN.ESP.8X25 GEOMET 10.9 0/000.460.9137 (u. 2)	
13A	TORN.ESP.DE PLASTICO NG.M6X12 0/000.460.9109 (u. 1)	
	TORN.ESP.DE PLASTICO NG.M6X12 BT35000083012 (u. 1)	OBSOLETE
13	CTO.TUBO DESVAPORIZADOR BLOW BY ENDURO 2018 0/000.290.9106 (u. 1)	
	CTO.TUBO DESVAPORIZADOR BLOW BY ENDURO 2018 BE71155CT-CLJ-1 (u. 1)	OBSOLETE
14	TORN.ESP.8X16 GEOMET 10.9 0/000.460.9135 (u. 2)	
	TORN.ESP.8X16 T0228016 (u. 2)	OBSOLETE
15	SILENTBLOCK PORTANUMS.IZQ.ENDURO 2018 0/000.360.9109 (u. 4)	
	SILENTBLOCK PORTANUMS.IZQ.ENDURO 2018 BE93010GG-CLJ-1 (u. 4)	OBSOLETE
16	ABRAZ.50-70/9 W2 FILTRO AIRE/CARB. INOX FE 0/000.680.9101 (u. 1)	
	ABRAZ.50-70/9 W2 FILTRO AIRE/CARB. BE250328033 (u. 1)	OBSOLETE
17	GOMA CABALLETE EC 2015 0/000.360.9100 (u. 2)	
	GOMA CABALLETE EC 2015 BE14205GG-CEQ-1 (u. 2)	OBSOLETE
18	PROT.AMORT.EC 2018 BE79555GG-CLJ-1 (u. 1)	OBSOLETE
	PROT.AMORT.EC 2018 0/000.220.9117 (u. 1)	
19	TORNILLO DEPÓSITO - SILLÍN Ø6x23 (EJOT ref. 05100519) T0806023 (u. 6)	
	TORNILLO ESPECIAL ROSCA PLASTICO CABOTA HEXAGONAL CON ARANDELA 6X20 T0806020 (u. 6)	
20	TORN.ESP.6X16 PLASTICO T0806016 (u. 1)	OBSOLETE
	TORN.ESP.6X16 DRACOMET 0/000.460.9100 (u. 1)	
21	DESVAP.CARTER D.3=ME25610012 0/000.630.9105 (u. 1)	
	DESVAP.CARTER D.3=ME25610012 M01032001 (u. 1)	OBSOLETE

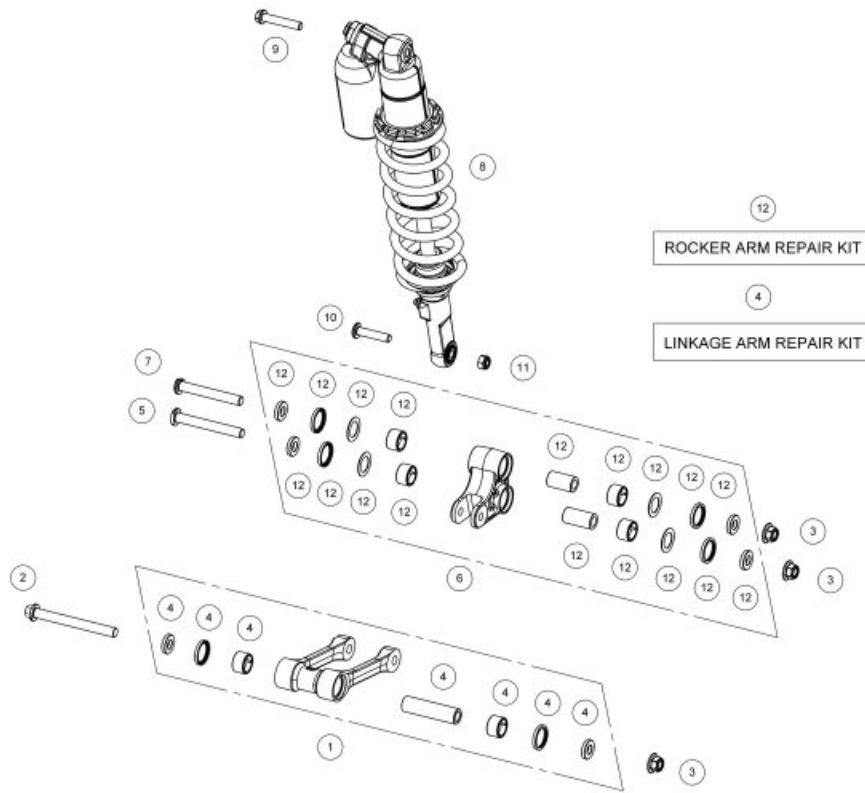
**Basculante**



1	BASCULANTE ENDURO 2018 BE40000GG-CLJ-1 (u. 1)	<b>OBSOLETE</b>
	BASCULANTE ENDURO 2018 0/000.020.9100 (u. 1)	
2	KIT REPARACION BASCULANTE BE41000CT-CLJ-1 (u. 1)	
3	EJE BASCULANTE ENDURO 2018 BE44500GG-CLJ-1 (u. 1)	<b>OBSOLETE</b>
	EJE BASCULANTE ENDURO 2018 0/000.190.9101 (u. 1)	
4	TUERCA BASC.TT 49650 0/000.340.9103 (u. 1)	
	TUERCA BASC.TT 49650 BE25612009 (u. 1)	<b>OBSOLETE</b>
5	GUIA CADENA (8435900001) 0/000.710.9100 (u. 1)	
	GUIA CADENA (8435900001) BE42000GG-CLJ-1 (u. 1)	<b>OBSOLETE</b>
6	KIT PATIN CADENA 3 COMP. BE43015CT-CLJ-1 (u. 1)	
7	TORN.ESP.6x7 DRACOMET 0/000.460.9161 (u. 2)	
	TORN.ESP.6x7 PLASTICO T0806007 (u. 2)	<b>OBSOLETE</b>
8	TUERCA AUTOBLOC.DIN-6926 M-6 C/ARAND ZN T2206002 (u. 1)	<b>OBSOLETE</b>
	TUERCA AUTOBLOC. M-6 C/ARAND DIN-6926 ZINC 0/000.340.9117 (u. 1)	

9	PROT.CADENA HOMOL.EC 2018 BE44520GG-CLJ-1 (u. 1)	OBSOLETE
	PROT.CADENA HOMOL.EC 2018 0/000.220.9107 (u. 1)	
10	TAP.BASCUL.EC 2018 (465658) 0/000.410.9100 (u. 4)	OBSOLETE
	TAP.BASCUL.EC 2018 (465658) BE43000GG-CLJ-1 (u. 4)	
11	TORN.ESP.6X55 DIN 6921 DRACOMET 8.8 0/000.460.9127 (u. 1)	OBSOLETE
	TORN.ESP.6X55 8.8 DRACOMET T0206055 (u. 1)	
12	TORN.ESP.6x20 10.9 ZINC.(CEX) T0206020 (u. 1)	OBSOLETE
	TORN.ESP.6x20 DIN 6921 GEOMET 10.9 0/000.460.9120 (u. 1)	
13	SUJ.LATIG.SOBRE BASC. 0/000.630.9101 (u. 2)	OBSOLETE
	SUJ.LATIG.SOBRE BASC. BE25612006 (u. 2)	
14	TORN.ESP.+ARAND.5x15 ZI T0205015 (u. 4)	OBSOLETE
	TORN.ESP.+ARAND.5x15 DIN 6921 GEOMET 10.9 0/000.460.9115 (u. 4)	
15	TORN.TENSOR RUEDA FSR450-2007 0/000.460.9105 (u. 2)	OBSOLETE
	TORN.TENSOR RUEDA FSR450-2007 BFS450722212 (u. 2)	
16	TUERCA ESTRIADA M-8 DIN 6927 ACERO 8 0/000.340.9118 (u. 2)	OBSOLETE
	TUERCA+ARAN.ESTR.M-8 ZINCADA T2208001 (u. 2)	
17	TORNILLO ESPECIAL 8X35 T0228035 (u. 1)	OBSOLETE
	TORNILLO ESPECIAL 8X35 GEOMET 10.9 0/000.460.9139 (u. 1)	

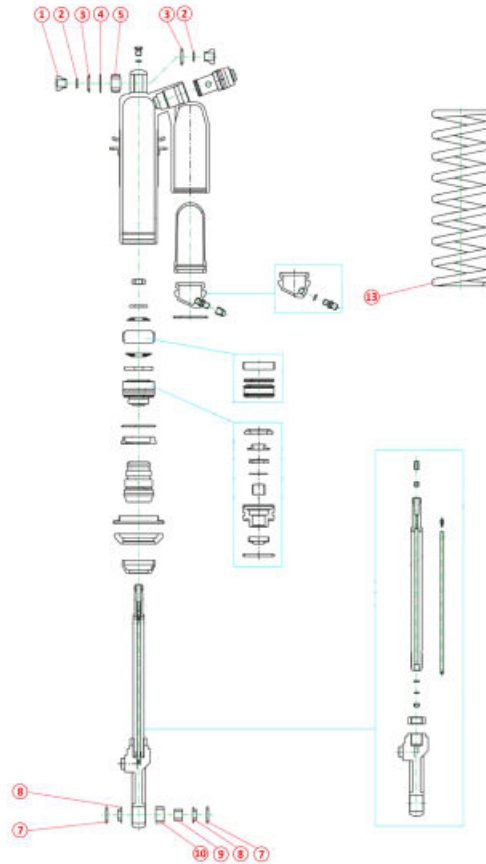
Link



1	CTO.BIELETA ENDURO 2018 BE34000CT-CLJ-1 (u. 1)	
2	TORN.EJE BIELETA CHASIS 22X128 0/000.460.9102 (u. 1)	
	TORN.EJE BIELETA CHASIS 22X128 BE35001GG-CLJ-1 (u. 1)	<b>OBSOLETE</b>
3	TUERCA M12x1.25 DIN 6923 ZINC 0/000.340.9115 (u. 3)	
	TUERCA M12x1.25 .ZINCADA DIN 6923 T2112003 (u. 3)	<b>OBSOLETE</b>
4	KIT REPARACION BIELETA ENDURO 2018 BE32035CT-CLJ-1 (u. 1)	
5	TORN.EJE BIELETA BALANCIN 22X99.5 0/000.460.9103 (u. 1)	
	TORN.EJE BIELETA BALANCIN 22X99.5 BE35002GG-CLJ-1 (u. 1)	<b>OBSOLETE</b>
6	CTO. BALANCIN ENDURO 2018 BE32000CT-CLJ-1 (u. 1)	
7	TORN.EJE BALANCIN BASCUL.22X92.5 0/000.460.9104 (u. 1)	
	TORN.EJE BALANCIN BASCUL.22X92.5 BE35003GG-CLJ-1 (u. 1)	<b>OBSOLETE</b>
8	AMORTIGUADOR EC 2018 KYB BE30000GG-CLJ-1 (u. 1)	<b>OBSOLETE</b>
	AMORTIGUADOR EC 2018 KYB 0/000.180.9100 (u. 1)	
9	PERNO 10X55 10.9 GEOMET ISO 898-1 T0210055 (u. 1)	

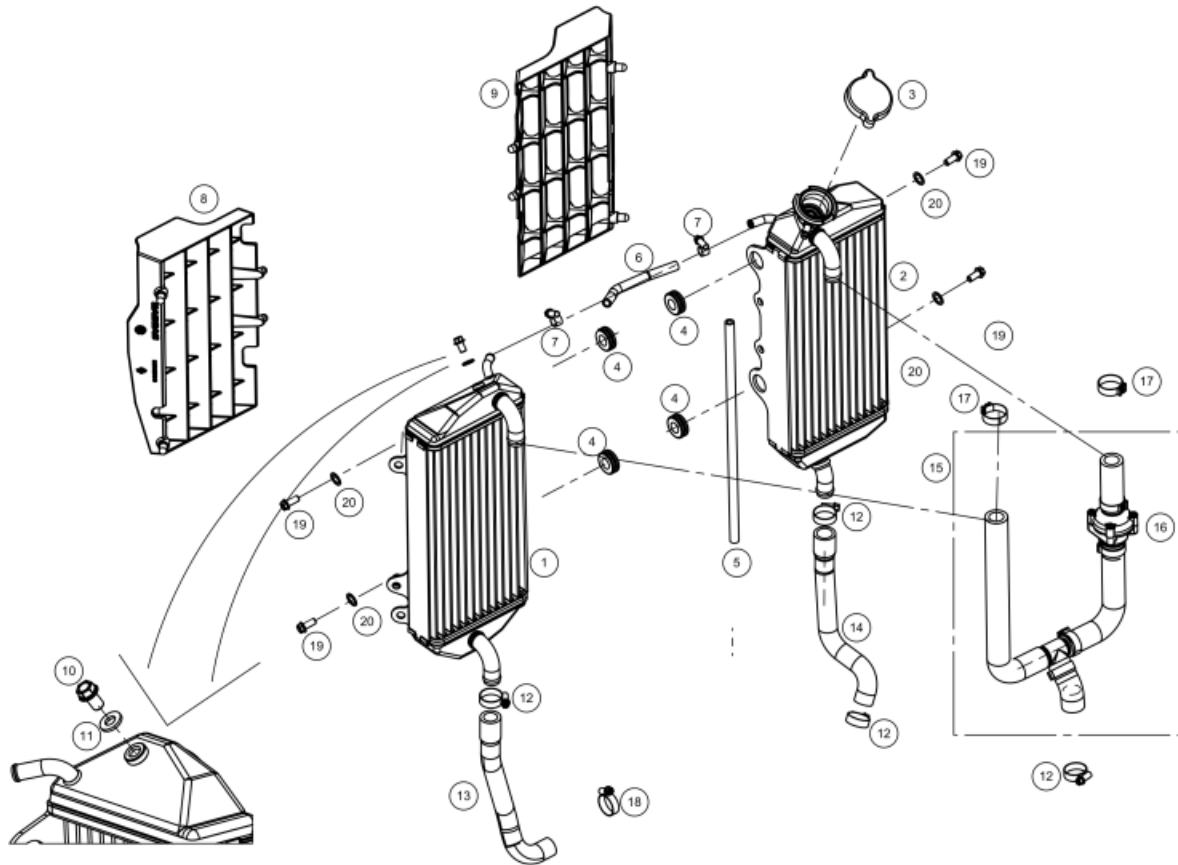
<b>10</b>	TORN.EJE INF.AMORT.20X48.5 BE35000GG-CLJ-1 (u. 1)	<b>OBSOLETE</b>
	TORN.EJE INF.AMORT.20X48.5 0/000.460.9107 (u. 1)	
<b>11</b>	TUERCA AUTOBLOC.M10X125 DIN 985 ZINCADA T21010003 (u. 1)	<b>OBSOLETE</b>
	TUERCA AUTOBLOC.M10X125 DIN 985 ZINC 8 0/000.340.9110 (u. 1)	
<b>12</b>	KIT REPARACION BALANCIN EC 2018 BE34035CT-CLJ-1 (u. 1)	

**Amortiguador**



1	CASQUILLO ROTULA SUPERIOR SUSPENSION KAYABA ENDURO BE20210GG-CLJ-1 (u. 1)	
2	TORICA ROTULA SUSPENSION KAYABA ENDURO BE30025GG-CLJ-1 (u. 3)	
3	RETEN ROTULA SUPERIOR SUSPENSION KAYABA ENDURO BE23295GG-CLJ-1 (u. 3)	
4	ARANDELA ROTULA BE23290GG-CLJ-1 (u. 1)	<b>OBSOLETE</b>
	ARANDELA ROTULA SUPERIOR SUSPENSION KAYABA ENDURO BE232990GG-CLJ-1 (u. 1)	
5	ROTULA SUPERIOR AMORTIGUADOR KAYABA ENDURO BE23250GG-CLJ-1 (u. 1)	
7	GUARDAPOLVO ROTULA INF. SUSP. KAYABA ENDURO BE23280GG-CLJ-1 (u. 2)	
8	CASQUILLO ROTULA INFERIOR SUSPENSION KAYABA ENDURO BE23285GG-CLJ-1 (u. 1)	
9	COJINETE AGUJA INFERIOR SUSPENSION KAYABA ENDURO BE36060GG-CLJ-1 (u. 1)	
10	CASQUILLO INF. SUSP. KAYABA ENDURO BE23300GG-CLJ-1 (u. 1)	
13	MUELLE AMORTIGUADOR 46 mm 54n SUSPENSION KAYABA ENDURO BE30012GG-CLJ-1 (u. 1)	
	MUELLE AMORTIGUADOR 46 mm 50n SUSPENSION KAYABA ENDURO BE30010GG-CLJ-1 (u. 1)	
	MUELLE AMORTIGUADOR 46 mm 52n SUSPENSION KAYABA ENDURO BE30011GG-CLJ-1 (u. 1)	

**Radiador**

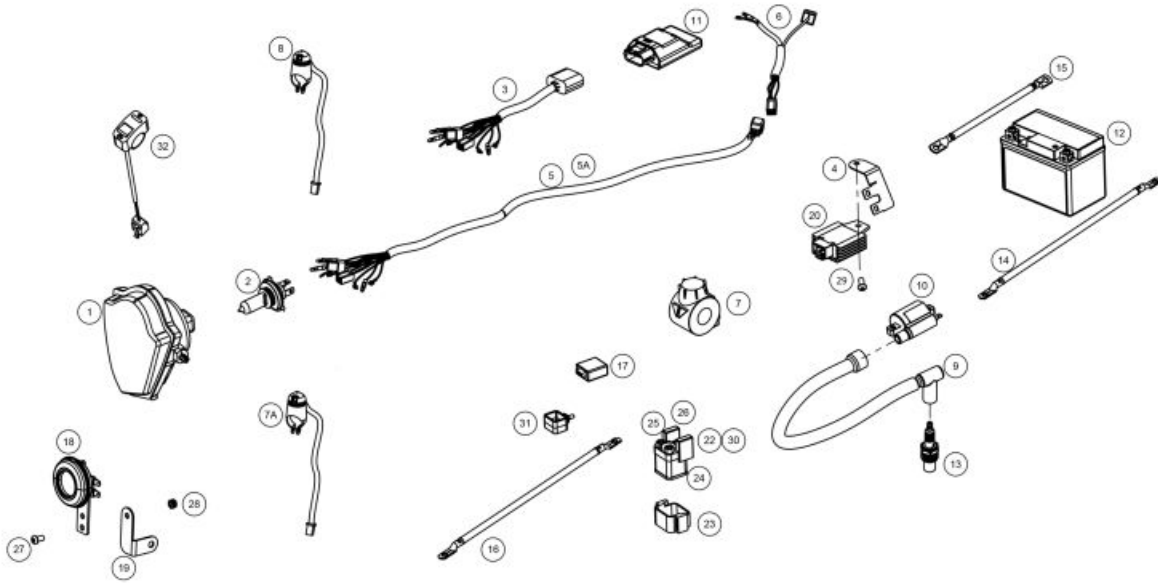


1	RADIADOR IZQUIERDO ENDURO 2018 BE70500GG-CLJ-1 (u. 1)	<b>OBSOLETE</b>
	RADIADOR IZQUIERDO ENDURO 2018 0/000.580.9101 (u. 1)	
2	RADIADOR DERECHO ENDURO 2018 CON TAPON BE70000GG-CLJ-1 (u. 1)	<b>OBSOLETE</b>
	RADIADOR DERECHO ENDURO 2018 CON TAPON 0/000.580.9100 (u. 1)	
3	TAPON RADIADOR ENDURO 2018 BE70150GG-CLJ-1 (u. 1)	<b>OBSOLETE</b>
	TAPON RADIADOR ENDURO 2018 0/000.410.9101 (u. 1)	
4	GOMA TOPE RAD.49100025 BIE500132031 (u. 4)	
5	TUBO SOBRANTE RAD.5X8 - 39cm.- TT-96 BE25632009 (u. 1)	<b>OBSOLETE</b>
	TUBO SOBRANTE RAD.5X8 - 39cm.- TT-96 0/000.290.9117 (u. 1)	
6	TUBO UNION RADIADORES ENDURO 2018 BE71015GG-CLJ-1 (u. 1)	<b>OBSOLETE</b>
	TUBO UNION RADIADORES ENDURO 2018 0/000.290.9103 (u. 1)	
7	ABRAZ.TORRO SIN FIN 10-16 (10107270010) INOX FE 0/000.680.9108 (u. 2)	
	ABRAZ.TORRO SIN FIN 10-16 (10107270010) L200060 (u. 2)	<b>OBSOLETE</b>

8	REJILLA RADIADOR IZQUIERDA ENDURO 2018 0/000.220.9113 (u. 1)	
	REJILLA RADIADOR IZQUIERDA ENDURO 2018 BE73055GG-CLJ-1 (u. 1)	OBSOLETE
9	REJILLA RADIADOR DERECHA ENDURO 2018 0/000.220.9112 (u. 1)	
	REJILLA RADIADOR DERECHA ENDURO 2018 BE73050GG-CLJ-1 (u. 1)	OBSOLETE
10	TORN.ESP.6X10+ARANDELA GEOMET 10.9 0/000.460.9133 (u. 1)	
	TORN.ESP.6X10+ARANDELA T0226010 (u. 1)	OBSOLETE
11	ARANDELA COBRE 6X10X1.5 TORN.VAC.AGUA CI 0/000.440.9122 (u. 1)	
	ARANDELA COBRE 6X10X1.5 TORN.VAC.AGUA CI T4006008 (u. 1)	OBSOLETE
12	ABRAZ.TORRO SIN FIN 16-27 (10107270027) INOX FE 0/000.680.9107 (u. 4)	
	ABRAZ.TORRO SIN FIN 16-27 (10107270027) L200059 (u. 4)	OBSOLETE
13	TUBO RADIADOR IZQUIERDO A CÁRTER IZQUIERDO EC 2018 BE71085GG-CLJ-1 (u. 1)	OBSOLETE
	TUBO RADIADOR IZQUIERDO A CÁRTER IZQUIERDO EC 2018 0/000.290.9105 (u. 1)	
14	TUBO RAD.INF.DCH.EC 300 2014 0/000.290.9104 (u. 1)	
	TUBO RAD.INF.DCH.EC 300 2014 BE71080GG-CAB-1 (u. 1)	OBSOLETE
15	CTO.TUBOS RADIADORES-TERMOSTATO EC 2018 BE71010GG-CLJ-1 (u. 1)	OBSOLETE
	CTO.TUBOS RADIADORES-TERMOSTATO EC 2018 0/000.290.9118 (u. 1)	
16	CUERPO TERMOSTATO SM BE250432070 (u. 1)	
17	ABRAZ.COBRA D.21 INOX A2 0/000.680.9105 (u. 2)	
	ABRAZ.COBRA-21 L200046 (u. 2)	OBSOLETE
18	ABRAZ.COBRA-19 INOX A2 0/000.680.9104 (u. 1)	
	ABRAZ.COBRA-19 L200043 (u. 1)	OBSOLETE
19	EXAG+ARANDELA 6x14 DIN 6921 0/000.460.9118 (u. 4)	
	EXAG.6x14+ARANDELA INCORP. T0206014 (u. 4)	OBSOLETE
20	ARANDELA 6X20X2 0/000.440.9112 (u. 4)	
	ARANDELA 6X20X2 ME85170GG-CAB-1 (u. 4)	OBSOLETE



## Parte Eléctrica



**1** OPTICA FARO DEL.EC 2011 6000270  
EE200002511 (u. 1)

**2** BOMBILLA HALOGENA 35/35 12V.HS1  
L300125 (u. 1)

**3** INSTALACION CHISPA  
EE10000GG-CSK-1 (u. 1)

INSTALACION CHISPA  
0/000.160.9101 (u. 1)

**4** SOP.SUJ.CONECTORES ENCENDIDO ENDURO 2018  
EE75050GG-CLJ-1 (u. 1)

SOP.SUJ.CONECTORES ENCENDIDO ENDURO 2018  
0/000.980.9110 (u. 1)

**5** INST.ELEC.COMPONENTE ELEC.  
EE10010GG-CLJ-1 (u. 1)

INST.ELEC.COMPONENTE ELEC.  
0/000.160.9102 (u. 1)

**6** INST.LUZ MATRICULA ENDURO 2018  
0/000.160.9103 (u. 1)

INST.LUZ MATRICULA ENDURO 2018  
EE30010GG-CLJ-1 (u. 1)

**7** CONMUTADOR CON ARRANQUE ENDURO 2018  
EE60201GG-CLJ-1 (u. 1)

CONMUTADOR CON ARRANQUE ENDURO 2018  
0/000.720.9101 (u. 1)

**8** BOTON DE PARO TRIAL 2015  
ET85500GG-CGI-1 (u. 1)

BOTON DE PARO TRIAL 2015  
0/000.720.9102 (u. 1)

**9** PIPA BUJIA  
BE25934000 (u. 1)

PIPA BUJIA LB05EMH=BT27934000  
0/005.110.9100 (u. 1)

**OBSOLETE**

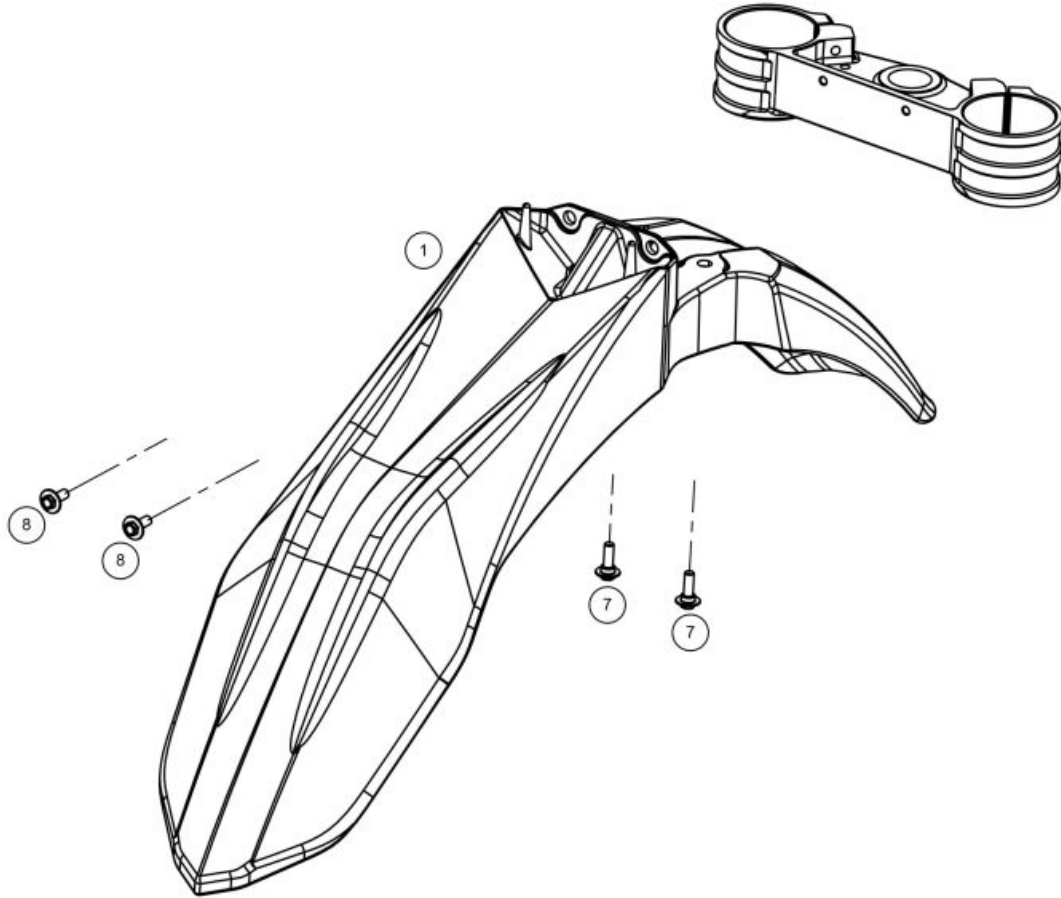
**10** BOBINA DE ALTA JT TXT 2013  
ET500003013 (u. 1)

**11** CTO.CDI PROGRAMADO EC 250-300 GP 2019  
EE51100CT-CSK-2 (u. 1)

12	BATERIA LITIO 4.0 Ah, HJTZ7S-FPZ 0/000.900.9100 (u. 1)	
	BATERIA LITIO 4.0 Ah, HJTZ7S-FPZ EE40000GG-CSK-1 (u. 1) - <i>BE AWARE WITH THE AIRFREIGHT</i>	
13	BUJIA W24ESRU 0/005.110.9101 (u. 1)	
	BUJIA W24ESRU ME25934000 (u. 1)	<b>OBSOLETE</b>
14	CABLE POSITIVO BATERIA EC 2019 0/000.160.9105 (u. 1)	
	CABLE POSITIVO BATERIA EC 2019 EE40015GG-CSK-1 (u. 1)	
15	CABLE NEGATIVO BATERIA 0/000.160.9104 (u. 1)	
	CABLE NEGATIVO BATERIA EE40010GG-CLJ-2 (u. 1)	
16	CABLE RELE A MOTOR ARRANQUE 20 EE40110GG-CSK-1 (u. 1)	
	CABLE RELE A MOTOR ARRANQUE 2019 0/000.160.9107 (u. 1)	
17	MODULO DIODES SHOTKY EE80060GG-CSK-1 (u. 1)	
	MODULO DIODES SHOTKY 0/001.200.9100 (u. 1)	
18	BOCINA / CLAXON 0/000.420.9100 (u. 1)	
	BOCINA / CLAXON EM20400TT-CLR-1 (u. 1)	
19	SOPORTE CLAXON ENDURO 2018 EE25400GG-CLJ-1 (u. 1)	
	SOPORTE CLAXON ENDURO 2018 0/000.980.9107 (u. 1)	
20	REGULADOR EE51200GG-CAB-1 (u. 1)	
	REGUL.(31600-XRU-0000) 0/005.070.9101 (u. 1)	
22	RELE ARRANQUE (RC19-005 <sup>a</sup> )STARTER RELA 00020 A7343-888-00-000 BFS400134075/2 (u. 1)	<b>OBSOLETE</b>
	RELE ARRANQUE (RC19-005 <sup>a</sup> )STARTER RELA 00020 A7343-888-00-000 0/001.200.9101 (u. 1)	
23	GOMA SOP.RELE ARRANQUE FIJ.VERTICAL EE85205GG-CAK-1 (u. 1)	
24	TAPA PROT.FUSIBLE (B4694-730-00-001) EE851052511 (u. 2)	
25	ARANDELA EN ABANICO DIN 6798/A ZINCADA T4006040 (u. 2)	<b>OBSOLETE</b>
	ARANDELA EN ABANICO DIN 6798 ZINC 0/000.440.9127 (u. 2)	
26	TORN.ESP.6X10+ARANDELA T0226010 (u. 2)	<b>OBSOLETE</b>
	TORN.ESP.6X10+ARANDELA GEOMET 10.9 0/000.460.9133 (u. 2)	
27	TORN.ESP.6X12+ARANDELA Y FIJADOR ISO 7380-2 INOX A2 0/000.460.9108 (u. 1)	
	TORN.ESP.6X12+ARANDELA Y FIJADOR INOX BT35000073012 (u. 1)	<b>OBSOLETE</b>

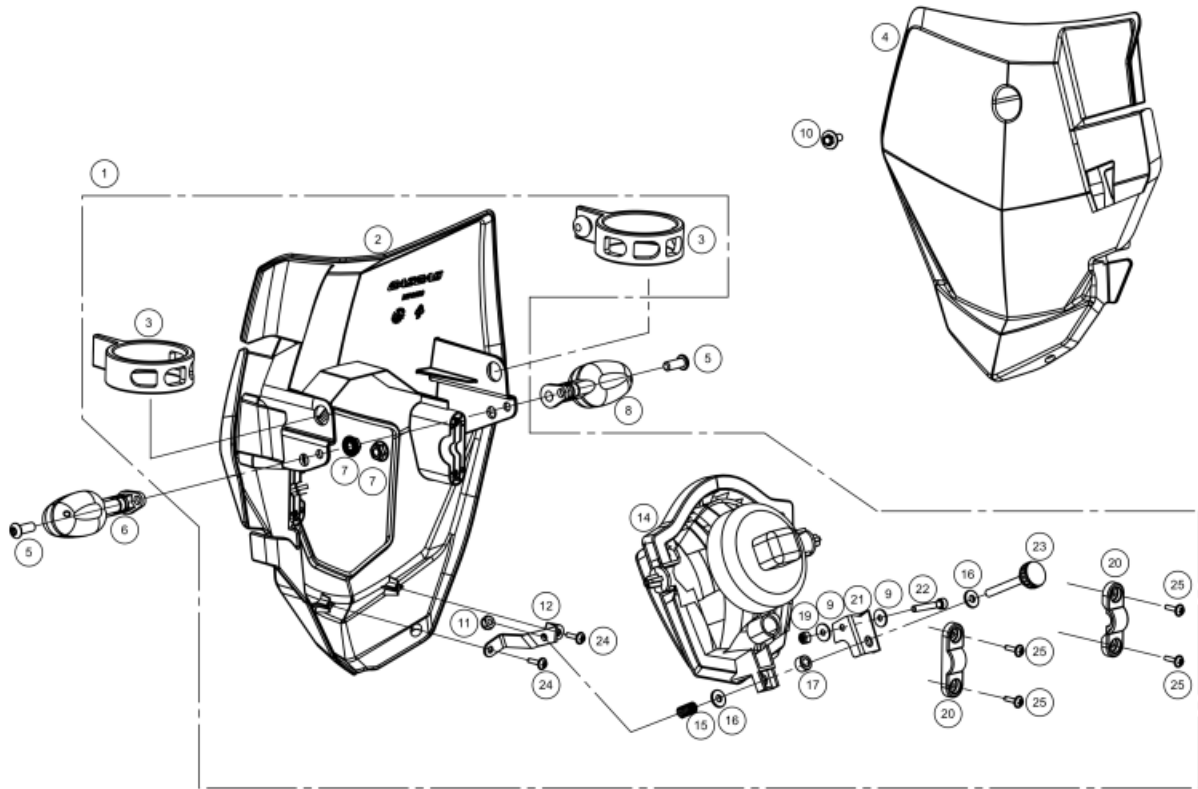
28	TUERCA NUT 956 M-6 HRC 40/48 T2606000 (u. 1)	OBSOLETE
	TUERCA NUT 956 RAPIDA M-6 HRc 40/48 0/000.340.9120 (u. 1)	
29	EXAG+ARANDELA 6x14 DIN 6921 0/000.460.9118 (u. 1)	OBSOLETE
	EXAG.6x14+ARANDELA INCORP. T0206014 (u. 1)	
30	FUSIBLE UNIVERSAL 20A EE40200GG-CSK-1 (u. 2)	
	FUSIBLE UNIVERSAL 20A 0/000.910.9100 (u. 2)	
31	GOMA SOPORTE MODULO DIODES 0/000.360.9111 (u. 1)	
	GOMA SOPORTE MODULO DIODES EE80065GG-CSK-1 (u. 1)	
32	SWITCH DOBLE MAPA EE51190GG-CSK-1 (u. 1)	
	SWITCH DOBLE MAPA 0/000.720.9100 (u. 1)	

**Guardabarros delantero**



<b>1</b>	GUARDAB.DEL.EC 2018 ROJO BE91000GG-CLJ-1 (u. 1)	
<b>7</b>	TORN.ESP.6X16 PLASTICO T0806016 (u. 2)	<b>OBSOLETE</b>
	TORN.ESP.6X16 DRACOMET 0/000.460.9100 (u. 2)	
<b>8</b>	TORN.ESP.6x7 DRACOMET 0/000.460.9161 (u. 2)	
	TORN.ESP.6x7 PLASTICO T0806007 (u. 2)	<b>OBSOLETE</b>

**Faro Delantero**

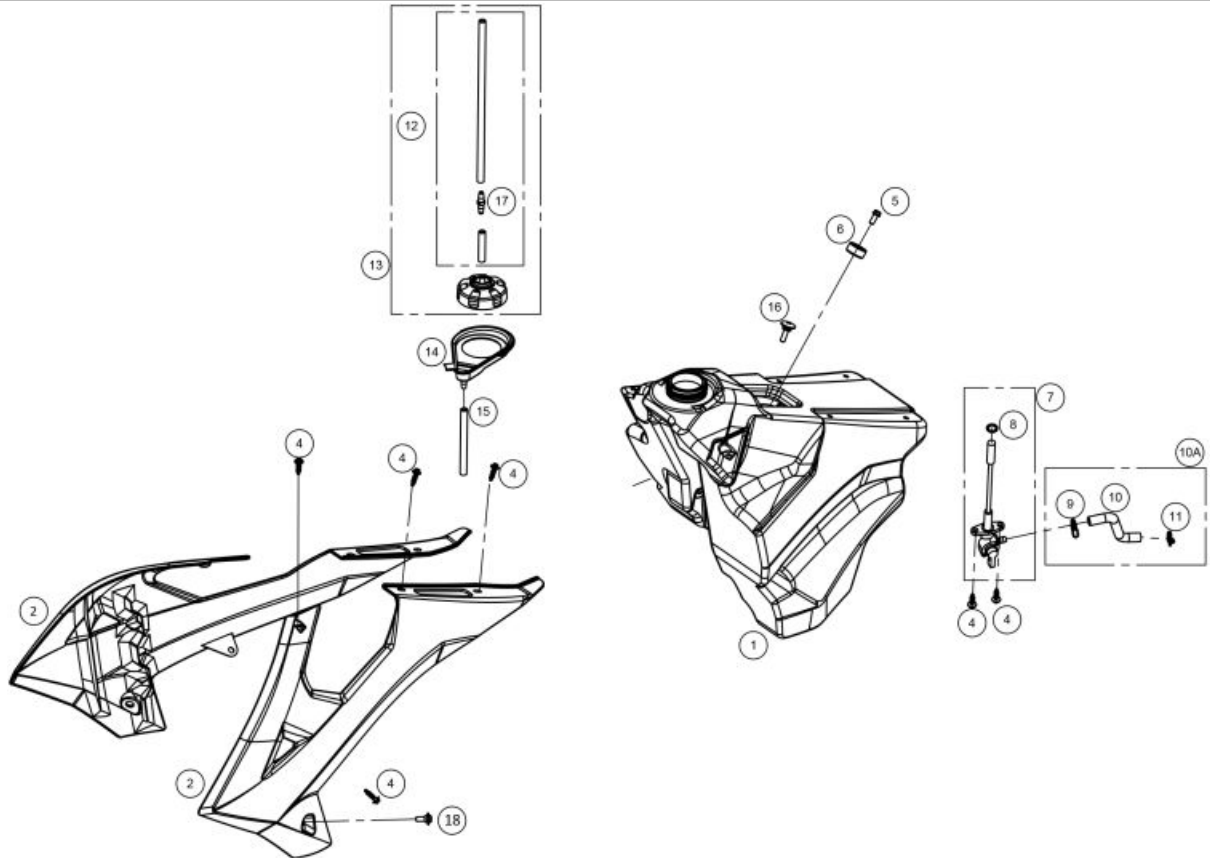


1	CTO.FARO EC 2018 BE90500CT-CLJ-1 (u. 1)	
2	PORTAFARO DEL.EC 2018 BL. BE90500GG-CLJ-1 (u. 1)	<b>OBSOLETE</b>
3	GOMA SUJETA FARO D.38 PP HP2070291G 0/000.360.9102 (u. 2)	
3	GOMA SUJETA FARO D.38 PP HP2070291G BE25636015 (u. 2)	<b>OBSOLETE</b>
4	PLACA PORTANUMEROS DELANTERA CROSS COUNTRY 2018 BLANCA BE90500GG-MXC-1 (u. 1)	
5	ULS 6x16 ISO 7380-1 NEGRO 12.9 0/000.460.9156 (u. 2)	
5	TORN.ULS 6x16 PL.PRIM,GUAR,FIL NG. T0506016N (u. 2)	<b>OBSOLETE</b>
6	INTERMITENTE IZQ.DEL.2005 BE250634019 (u. 1)	<b>OBSOLETE</b>
6	INTERMITENTE IZQ.DEL.2005 0/000.150.9101 (u. 1)	
7	TUERCA+ARAN.M-6 ESTR. DIN 6923 ZINC 8 0/000.340.9116 (u. 2)	
7	TUERCA+ARAN.M-6 (DIN 6923) ESTR. T2206000 (u. 2)	<b>OBSOLETE</b>
8	INTERMITENTE DCH.O.DEL.2005 0/000.150.9100 (u. 1)	
8	INTERMITENTE DCH.O.DEL.2005 BE250634018 (u. 1)	<b>OBSOLETE</b>

9	ARANDELA PLANA 4X12X1 (DIN 9021) T4004012 (u. 2)	OBSOLETE
	ARANDELA PLANA 4X12X1 DIN 9021 ZN AG CR3 0/000.440.9119 (u. 2)	
10	TORN.ESP.6x7 PLASTICO T0806007 (u. 1)	OBSOLETE
	TORN.ESP.6x7 DRACOMET 0/000.460.9161 (u. 1)	
11	TUERCA AUTOBL. M-5 BAJA DIN-985 ZINC 8 0/000.340.9112 (u. 1)	OBSOLETE
	TUERCA AUTOBL.DIN-985 M-5 ZN BAJA T2105000 (u. 1)	
12	CHAPA REGUL.FARO 0/000.980.9103 (u. 1)	OBSOLETE
	CHAPA REGUL.FARO BE90000033012 (u. 1)	
13	TORNILLO PLASTICO 4X10 ZINCADO T0804010 (u. 2)	OBSOLETE
	TORNILLO PLASTICO 4X10 ZN BLUE 0/000.460.9159 (u. 2)	
14	OPTICA FARO DEL.EC 2011 6000270 EE200002511 (u. 1)	
15	MUELLE TORN.REG.OPTICA 0/000.470.9107 (u. 1)	OBSOLETE
	MUELLE TORN.REG.OPTICA BX250020026 (u. 1)	
16	ARANDELA 5X12X1.5 T4005012 (u. 2)	OBSOLETE
	ARANDELA 5X12X1.5 DIN 125A ZINC 0/000.440.9121 (u. 2)	
17	CASQ.ALUMINIO ø5.5X10X6 T90055100006M (u. 1)	OBSOLETE
	CASQ.ALUMINIO ø5.5X10X6 0/000.480.9128 (u. 1)	
19	TUERCA AUTOBL.M-4 (DIN 985) T2104000 (u. 1)	OBSOLETE
	TUERCA AUTOBL.M-4 DIN 985 ZINC 8 0/000.340.9111 (u. 1)	
20	SOP.FARO BL. 0/000.980.9104 (u. 2)	OBSOLETE
	SOP.FARO BL. BE905102511 (u. 2)	
21	REFUERZO LENGUETA FARO EC 2012 0/000.980.9106 (u. 1)	OBSOLETE
	REFUERZO LENGUETA FARO EC 2012 EE20000013012 (u. 1)	
22	ALLEN 4X25 DIN 912 ZINC 0/000.460.9144 (u. 1)	OBSOLETE
	ALLEN 4X25 ZINC.DIN 912 T0304025 (u. 1)	
23	TORN.REGUL.FARO ELESA B.193/18 P M5X40 0/000.460.9106 (u. 1)	OBSOLETE
	TORN.REGUL.FARO ELESA B.193/18 P M5X40 BE35000013012 (u. 1)	

24	TORNILLO PLASTICO 4X10 ZN BLUE 0/000.460.9159 (u. 2)	
	TORNILLO PLASTICO 4X10 ZINCADO T0804010 (u. 2)	OBSOLETE
25	TORN.ESP.PLASTICO 4X12 CELO RF87T VERZINKT 0/000.460.9160 (u. 4)	
	TORN.ESP.PLASTICO 4X12 CELO RF87T ZINC. T0804012 (u. 4)	OBSOLETE

**Depósito**

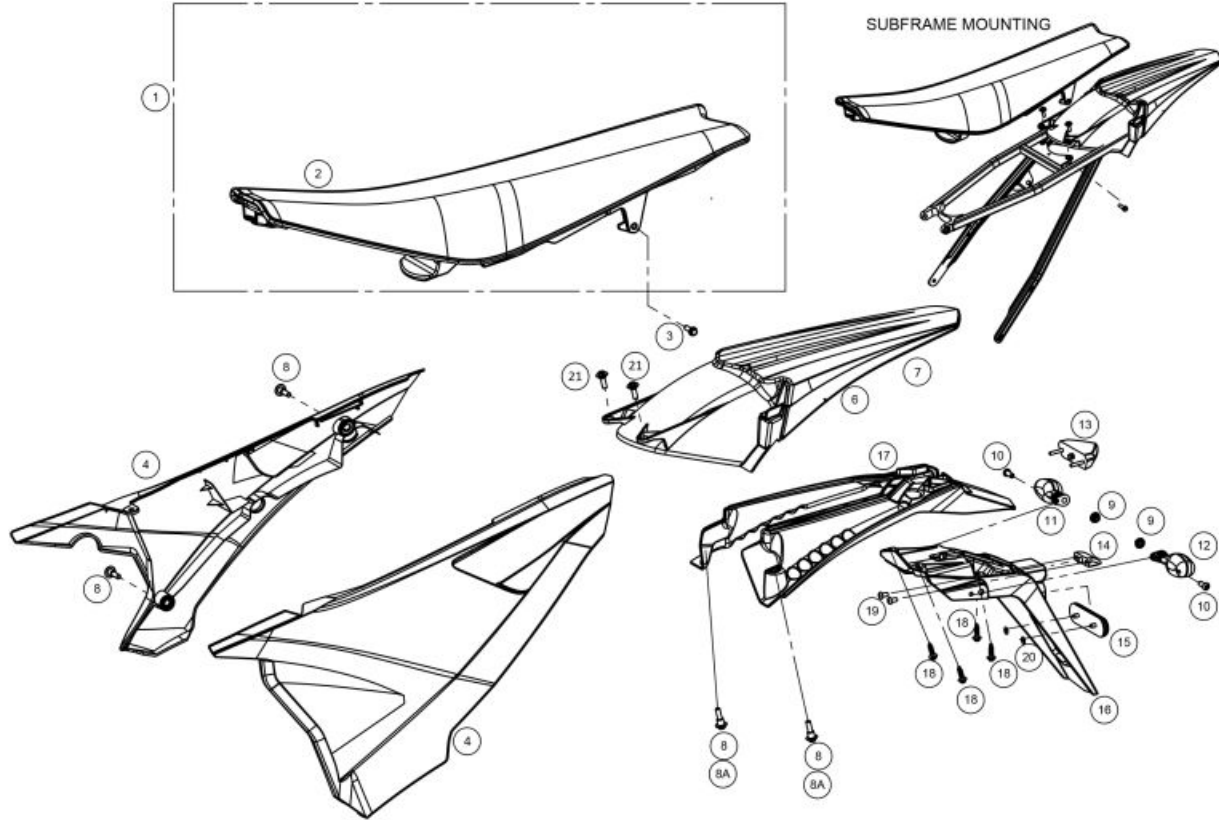


1	DEPOSITO COMBUSTIBLE EUROPA (XPE) ENDURO 2018 0/000.030.9100 (u. 1)	
	DEPOSITO COMBUSTIBLE EUROPA (XPE) ENDURO 2018 BE76000GG-CLJ-1 (u. 1)	<b>OBSOLETE</b>
2	KIT TAPAS RADIADOR SIN INMOULD EC/XC BE92001CT-CLJ-1 (u. 1)	
	KIT TAPAS RADIADOR EC 2019 BE92000CT-CSK-1 (u. 1)	
4	TORNILLO DEPÓSITO - SILLÍN Ø6x23 (EJOT ref. 05100519) T0806023 (u. 10)	
	TORNILLO ESPECIAL ROSCA PLASTICO CABOTA HEXAGONAL CON ARANDELA 6X20 T0806020 (u. 10)	
5	EXAG.6x14+ARANDELA INCORP. T0206014 (u. 1)	<b>OBSOLETE</b>
	EXAG+ARANDELA 6x14 DIN 6921 0/000.460.9118 (u. 1)	
6	SILENTBLOCK+ARANDELA Y REGATA DEP.GASOLIN 0/000.360.9105 (u. 1)	
	SILENTBLOCK+ARANDELA Y REGATA DEP.GASOLIN BE76065GG-CLJ-1 (u. 1)	<b>OBSOLETE</b>
7	GRIFO GASOLINA ENDURO 2018 BE76020GG-CLJ-1 (u. 1)	<b>OBSOLETE</b>
	GRIFO GASOLINA ENDURO 2018 0/000.370.9100 (u. 1)	
8	TORICA GRIFO GASOLINA 10X2.5 B740120 (u. 1)	
9	ABRAZ.MOLLA M-11.6-12.3 ZINC CR3 0/000.680.9102 (u. 1)	
	ABRAZ.MOLLA M-11.6-12.3 ROSA 02016098 BE25610044 (u. 1)	<b>OBSOLETE</b>



10A	TUBO GASOLINA ENDURO 2018 0/000.290.9108 (u. 1)	
	TUBO GASOLINA ENDURO 2018 BE78005GG-CLJ-1 (u. 1)	OBSOLETE
10	TUBO GASOLINA ENDURO 2018 DE HOMOLOGACION BE78006GG-CLJ-1 (u. 1)	OBSOLETE
	TUBO GASOLINA ENDURO 2018 DE HOMOLOGACION 0/000.290.9109 (u. 1)	
11	ABRAZ.MOLLA M-12X1.5 BE25610046 (u. 1)	OBSOLETE
	ABRAZ.MOLLA M-12X1.5 ACERO ZN 0/000.680.9103 (u. 1)	
12	CTO.TUBO DESVAP.GASOLINA 26cm 0/000.290.9115 (u. 1)	
	CTO.TUBO DESVAP.GASOLINA 26cm BT280310018 (u. 1)	OBSOLETE
13	CTO.TAP.GASOLINA+TUBO EC 2014 BE76010CT-CAB-1 (u. 1)	
14	REBOSADERO DEP.GASOL. BE76050GG-CLJ-1 (u. 1)	OBSOLETE
	REBOSADERO DEP.GASOL. 0/000.570.9102 (u. 1)	
15	TUBO REBOSADERO DEP.DE GASOLINA ENDURO 0/000.290.9107 (u. 1)	
	TUBO REBOSADERO DEP.DE GASOLINA ENDURO BE76055GG-CLJ-1 (u. 1)	OBSOLETE
16	TORNILLO DEPÓSITO - SILLÍN Ø6x23 (EJOT ref. 05100519) T0806023 (u. 1)	
	TORNILLO ESPECIAL ROSCA PLASTICO CABOTA HEXAGONAL CON ARANDELA 6X20 T0806020 (u. 1)	
17	VALV.DESVAPO.DEP. BT27836025 (u. 1)	
18	TORNILLO ESPECIAL ROSCA PLASTICO CABOTA HEXAGONAL 6X12 T0806012 (u. 2)	OBSOLETE
	TORNILLO ESPECIAL ROSCA PLASTICO CABOTA HEXAGONAL 6X12 DRACOMET 0/000.460.9101 (u. 2)	

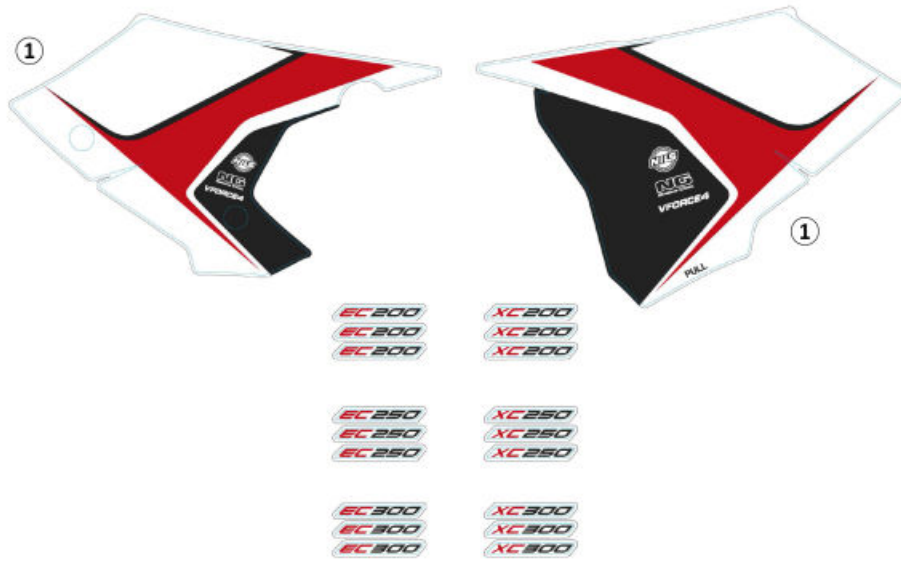
**Plástica Trasera**



1	SILLIN EC 2018 0/000.040.9100 (u. 1)	
	SILLIN EC 2018 BE94000GG-CLJ-1 (u. 1)	<b>OBSOLETE</b>
2	FUNDA SILLIN ENDURO 2018 BE94025GG-CLJ-1 (u. 1)	
3	TORN.ESP.6X25 DIN 6921 GEOMET 10.9 VALONA 11MM 0/000.460.9121 (u. 1)	
	TORN.ESP.6X25(10.9) VALONA 11MM T0206025 (u. 1)	<b>OBSOLETE</b>
4	KIT TAPAS PORTANUMEROS BLANCOS EC 2018-2019 BE93000CT-CLJ-1 (u. 1)	
6	CTO.GUARDAB.TRAS.EC 2018 BL. 0/000.060.9100 (u. 1)	
	CTO.GUARDAB.TRAS.EC 2018 BL. BE93500GG-CLJ-1 (u. 1)	<b>OBSOLETE</b>
7	GUARDABARROS TRASERO CROSS COUNTRY 2018 BLANCA BE93500GG-MXC-1 (u. 1)	
8	TORNILLO ESPECIAL 6X16 CON CENTRADOR DRACOMET 0/000.490.9163 (u. 2)	
	TORNILLO ESPECIAL 6X16 PLASTICO CON CENTRADOR T0816016 (u. 2)	<b>OBSOLETE</b>
9	TUERCA+ARAN.M-6 ESTR. DIN 6923 ZINC 8 0/000.340.9116 (u. 2)	
	TUERCA+ARAN.M-6 (DIN 6923) ESTR. T2206000 (u. 2)	<b>OBSOLETE</b>
10	TORN.ULS 6x16 PL.PRIM,GUAR,FIL NG. T0506016N (u. 2)	<b>OBSOLETE</b>
	ULS 6x16 ISO 7380-1 NEGRO 12.9 0/000.460.9156 (u. 2)	<b>OBSOLETE</b>

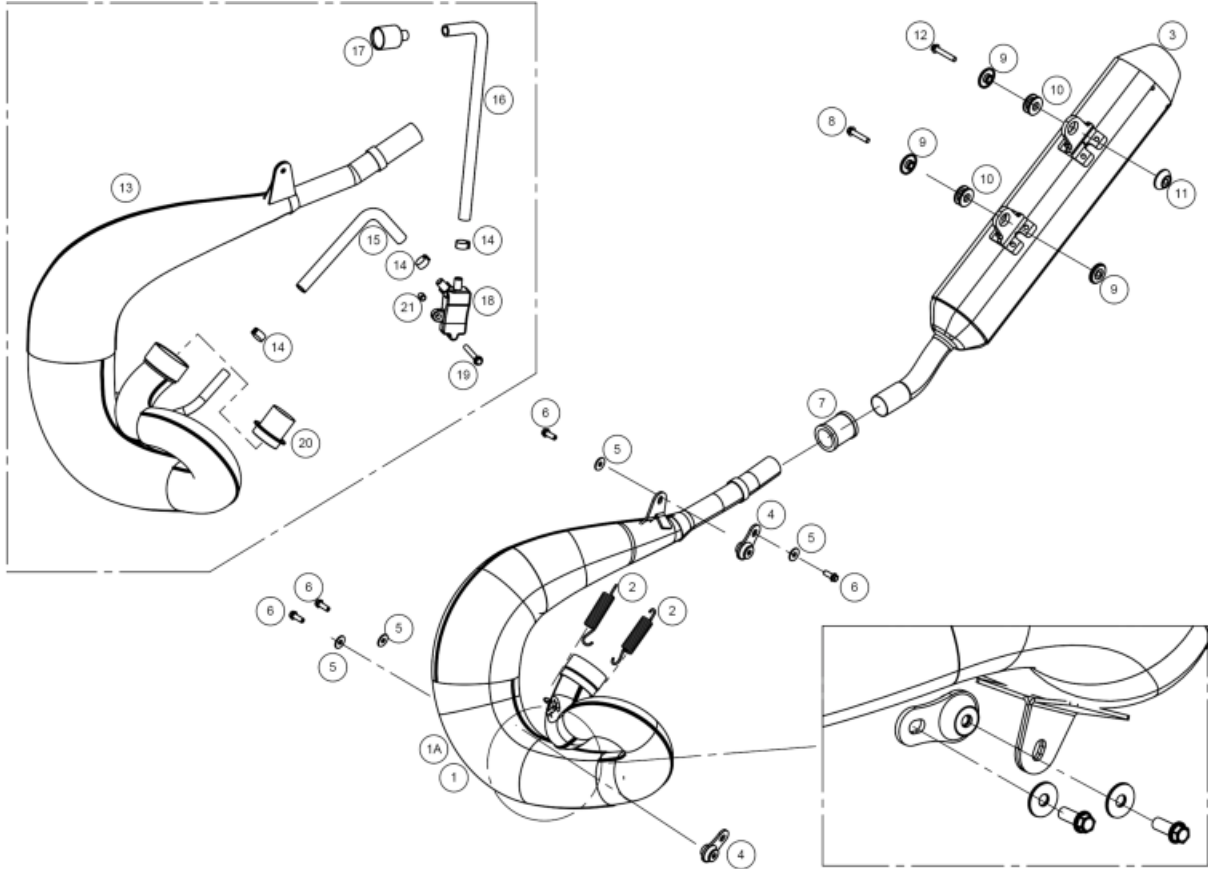
11	INTERMITENTE DCH.TRAS.2005 BE250634021/2 (u. 1)	OBSOLETE
	INTERMITENTE DCH.TRAS.2005 0/000.150.9102 (u. 1)	
12	INTERMITENTE IZQ.TRAS.2005 0/000.150.9103 (u. 1)	OBSOLETE
	INTERMITENTE IZQ.TRAS.2005 BE250634022/2 (u. 1)	
13	LUZ PILOTO TRASERO LED EE30000GG-CLJ-1 (u. 1)	OBSOLETE
	LUZ PILOTO TRASERO LED 0/000.150.9105 (u. 1)	
14	LUZ MATRICULA (HD008000) BE30020GG-CLJ-1 (u. 1)	OBSOLETE
	LUZ MATRICULA (HD008000) 0/000.150.9104 (u. 1)	
15	CATADIOPTRICO 700R ENDURO 2007 BQ300234125/2 (u. 1)	OBSOLETE
	CATADIOPTRICO 700R ENDURO 2007 0/000.630.9103 (u. 1)	
16	PORTAMATRICULAS HOMOLOGACION 0/000.060.9102 (u. 1)	OBSOLETE
	PORTAMATRICULAS HOMOLOGACION BE93910GG-CLJ-1 (u. 1)	
17	PORTAMATRICULAS CORTO EC 2018 BE93900GG-CLJ-1 (u. 1)	OBSOLETE
	PORTAMATRICULAS CORTO EC 2018 0/000.060.9101 (u. 1)	
18	TORNILLO DEPÓSITO - SILLÍN Ø6x23 (EJOT ref. 05100519) T0806023 (u. 4)	OBSOLETE
	TORNILLO ESPECIAL ROSCA PLASTICO CABOTA HEXAGONAL CON ARANDELA 6X20 T0806020 (u. 4)	
19	ULS TORX CON ARAND.4X08 INOX (BN 10649) T0574008 (u. 2)	OBSOLETE
	ULS TORX CON ARAND.4X08 ISO 7380-2 INOX A2 0/000.460.9158 (u. 2)	
20	GRAPA 02110396 SRRM-5 CATADRIOPTICO BQ300234126 (u. 2)	OBSOLETE
	GRAPA 02110396 SRRM-5 CATADRIOPTICO 0/000.440.9102 (u. 2)	
21	TORNILLO ESPECIAL ROSCA PLASTICO CABOTA HEXAGONAL 6X12 T0806012 (u. 2)	OBSOLETE
	TORNILLO ESPECIAL ROSCA PLASTICO CABOTA HEXAGONAL 6X12 DRACOMET 0/000.460.9101 (u. 2)	

**Adhesivos**



<b>1</b>	<p>KIT ADHESIVOS PLACAS PORTANUMEROS LATERAL EC 2019 BE95110CT-CSK-1 (u. 1)</p>
<b>2</b>	<p>ADH.CILINDR.300 ENDURO 2018 BE95135GG-CLJ-1 (u. 1)</p> <p>ADHESIVO CILINDRADA 200 ENDURO 2018 BE95135GG-CLP-1 (u. 1)</p> <p>ADHESIVO CILINDRADA 250 ENDURO 2018 BE95135GG-CLK-1 (u. 1)</p>
<b>3</b>	<p>ADHESIVO CILINDRADA 250 MXC 2018 BE95135GG-CMW-1 (u. 1)</p> <p>ADHESIVO CILINDRADA 300 MXC 2018 BE95135GG-CMV-1 (u. 1)</p> <p>ADHESIVO CILINDRADA 200 MXC 2018 BE95135GG-CMY-1 (u. 1)</p>

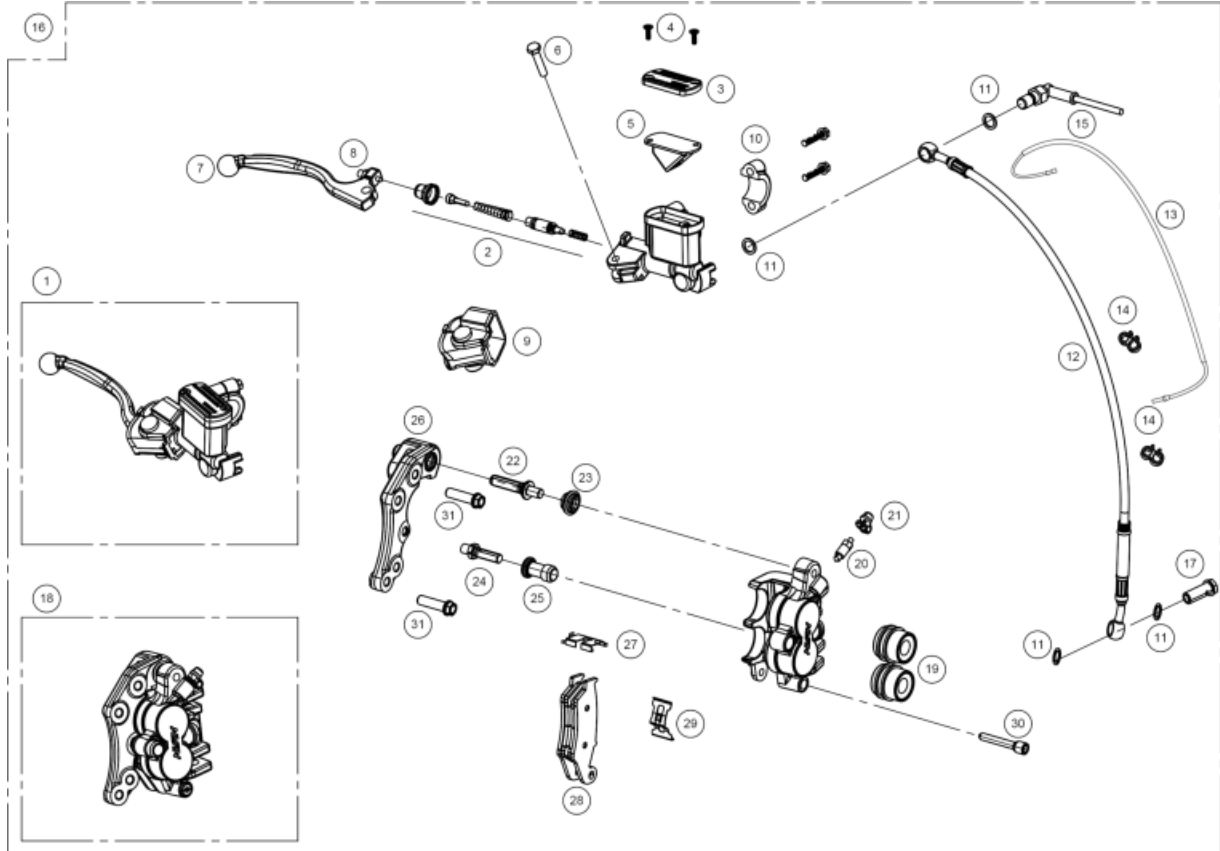
Escape



1	CTO.TUBO ESCAPE EC 2018 BE86001GG-CLJ-1 (u. 1)	OBSOLETE
	CTO.TUBO ESCAPE EC 2018 0/000.290.9114 (u. 1)	
2	MUELLE ESCAPE EC 0/000.470.9106 (u. 2)	OBSOLETE
	MUELLE ESCAPE EC BE86050GG-EKF-1 (u. 2)	
3	SILENCIADOR FMF POWERCORE 2.1 0/000.870.9101 (u. 1)	OBSOLETE
	SILENCIADOR FMF POWERCORE 2.1 BE87000GG-CLJ-1 (u. 1)	
4	SILENBLOCK ESCAPE ENDURO 0/000.360.9107 (u. 2)	OBSOLETE
	SILENBLOCK ESCAPE ENDURO BE86055GG-CEQ-1 (u. 2)	
5	ARANDELA 6X18X1.5 DIN 9021 ZINC 0/000.440.9126 (u. 4)	OBSOLETE
	ARANDELA 6X18X1.5 (DIN 9021) T4006018 (u. 4)	
6	TORN.ESP.6X16 10.9 ZINC. T0206016 (u. 4)	OBSOLETE
	TORN.ESP.6X16 DIN 6921 ZINC.10.9 0/000.460.9119 (u. 4)	
7	JUNTA ESCAPE 250 SILIC.5916 BE25626003 (u. 1)	OBSOLETE
	JUNTA ESCAPE 250 SILIC.5916 0/000.490.9103 (u. 1)	

8	TORN.ESP.M6x30 T0206030 (u. 1)	OBSOLETE
	TORN.ESP.M6x30 DIN 6921 GEOMET 0/000.460.9123 (u. 1)	
9	CASQ.SILENCIADOR CORTO EC 2018 BE87301GG-CLJ-1 (u. 3)	OBSOLETE
	CASQ.SILENCIADOR CORTO EC 2018 0/000.480.9115 (u. 3)	
10	SILENTBLOCK ESCAPE EC 2018 BE86055GG-CLJ-1 (u. 2)	OBSOLETE
	SILENTBLOCK ESCAPE EC 2018 0/000.360.9108 (u. 2)	
11	CASQ.SILENCIADOR LARGO ENDURO 2018 0/000.480.9114 (u. 1)	OBSOLETE
	CASQ.SILENCIADOR LARGO ENDURO 2018 BE87300GG-CLJ-1 (u. 1)	
12	TORN.ESP.M6X35 T0206035 (u. 1)	OBSOLETE
	TORN.ESP.M6X35 DIN 6921 GEOMET 0/000.460.9124 (u. 1)	
13	CTO.TUBO ESCAPE EC 2018 HOMOL. BE86000GG-CLJ-1 (u. 1)	OBSOLETE
	CTO.TUBO ESCAPE EC 2018 HOMOL. 0/000.290.9113 (u. 1)	
14	ABRAZ.COBRA 15 (COBRA 15/8 W4) L200053 (u. 3)	OBSOLETE
	ABRAZ.COBRA D.15/8 W4 INOX A2 0/000.680.9106 (u. 3)	
15	TUBO AIRE SECUNDARIO CORTO EC-2009 BE785502509 (u. 1)	OBSOLETE
	TUBO AIRE SECUNDARIO CORTO EC-2009 0/000.290.9110 (u. 1)	
16	TUBO AIRE SECUNDARIO LARGO EC-2009 0/000.290.9111 (u. 1)	OBSOLETE
	TUBO AIRE SECUNDARIO LARGO EC-2009 BE785551209 (u. 1)	
17	FILTRO AIRE SECUNDARIO TRIAL PRO 2006 CE BT280626059 (u. 1)	
18	VALV.AIRE SECUNDARIO EC-2009 RV-1-037 BE785652509 (u. 1)	OBSOLETE
	VALV.AIRE SECUNDARIO EC-2009 RV-1-037 0/000.640.9100 (u. 1)	
19	TORN.ESP.6x60 Fil.20 10.9 T0206060 (u. 1)	OBSOLETE
	TORN.ESP.6x60 Fil.20 DELTA PROTEK 10.9 0/000.460.9128 (u. 1)	
20	CATALIZADOR EC250-2002 0/001.600.9100 (u. 1)	OBSOLETE
	CATALIZADOR EC250-2002 BE250226250 (u. 1)	
21	CASQ.DIST.PIÑON ME250036019 (u. 1)	OBSOLETE
	CASQ.DIST.PIÑON 0/000.980.9112 (u. 1)	

## Freno Delantero



**1** BOMBA FRENO DEL.NISSIN=BC25922008  
BC25922008/2 (u. 1)

**2** KIT PISTON FRENO A 113-MK1-GAS  
BC25922219 (u. 1)

**3** TAPA BOMBA 009-M91-099  
BC25922210 (u. 1)

**4** TORN.TAPA BOMBA 049-Z02-064  
BC25922217 (u. 2)

**5** GOMA ANTIESPUMANTE 003-M68-042  
BC25922216 (u. 1)

**6** TORN.ESP.083-M87-012  
BC25922212 (u. 1)

**7** MANETA FRENO TT250 2904 ( 3274 )  
BC250022045R (u. 1)

**8** TENSOR MANETA NISSIN 003-M84-107  
BC25922218 (u. 1)

**9** GUARDAPOLVO  
BC25922213 (u. 1)

**10** BRIDA  
BC25922211 (u. 1)

**11** ARANDELA LATIGUILLO 10X14X1  
BE25622007 (u. 4)

**12** LATIGUILLO FRENO DEL.EC-2004- 740 746112  
BE250422002 (u. 1)

**13** SENSOR CUENTA KM ENDURO  
BE250634050 (u. 1)

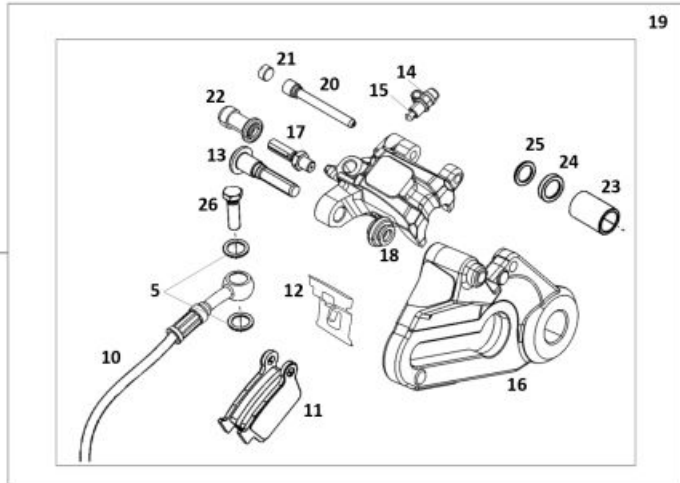
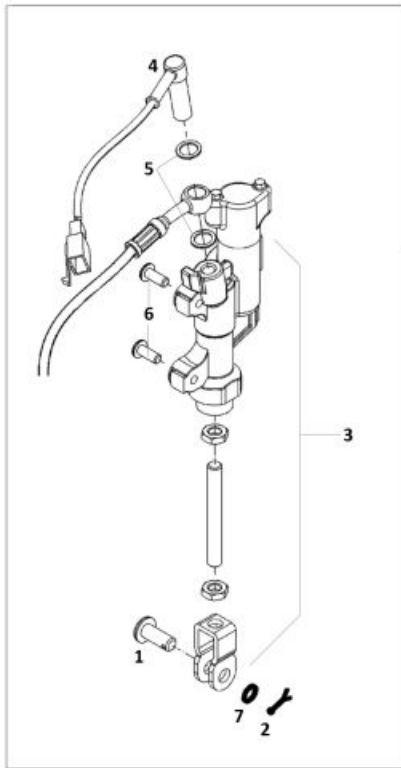
SENSOR CUENTA KM ENDURO  
0/001.010.9100 (u. 1)

**OBSOLETE**

14	GRAPA SUJ.CABLE CT.KM.2008 EE650202508 (u. 2)	
	GRAPA SUJ.CABLE CT.KM.2008 0/000.630.9104 (u. 2)	
15	INTERRUPTOR 23-016/1 STOP BOMBA NISSIN 3 BE250334003 (u. 1)	
16	CTO.FRENO DEL.PURGADO ENDURO 2004 BE250422108 (u. 1)	OBSOLETE
	CTO.FRENO DEL.PURGADO ENDURO 2004 0/000.820.9107 (u. 1)	
17	RACORD SUJ.LATIGUILLO 10X1,25(9257) BC25722006 (u. 1)	
18	PINZA FRENO DEL+SOP.272-C00-400 EC-2007 0/000.860.9101 (u. 1)	
	PINZA FRENO DEL+SOP.272-C00-400 EC-2007 BE250722000 (u. 1)	OBSOLETE
19	KIT.REP.PISTON 272-C98-129 BE620422508 (u. 1)	
20	KIT SANGRADOR EC 142-D98-103 BE620602508 (u. 1)	
21	TAP.SANGRADOR NISSIN 009-Z51-015 BE250022055 (u. 1)	
22	TORN.GUIA NISSIN 002-C46-086 BE250022092 (u. 1)	
23	GUARDAPOLVO EC 002-C40-101 BE620682508 (u. 1)	
24	TORN.CLAVIJA PINZA FRENO 082-C48-023 BE250022034 (u. 1)	
25	GUARDAPOLVO PINZA EC 002-C49-104 BE620692508 (u. 1)	
26	SOP.PINZA DEL.EC 002-C08-225 BE620102508 (u. 1)	
27	PLATINA SUJ.PASTILLAS 002-C80-014 BE620122508 (u. 1)	
28	KIT PASTILLAS DEL.EC 002-C94-540 CEX BE620652508 (u. 1)	
29	PLATINA SUJ.PASTILLAS EC 002-C30-110 BE620112508 (u. 1)	
30	PASADOR PAS.PINZA F.DEL.002-C50-031 BE250022041 (u. 1)	
31	TORN.ESP.8X30 T0228030 (u. 2)	OBSOLETE
	TORN.ESP.8X30 GEOMET 10.9 0/000.460.9138 (u. 2)	



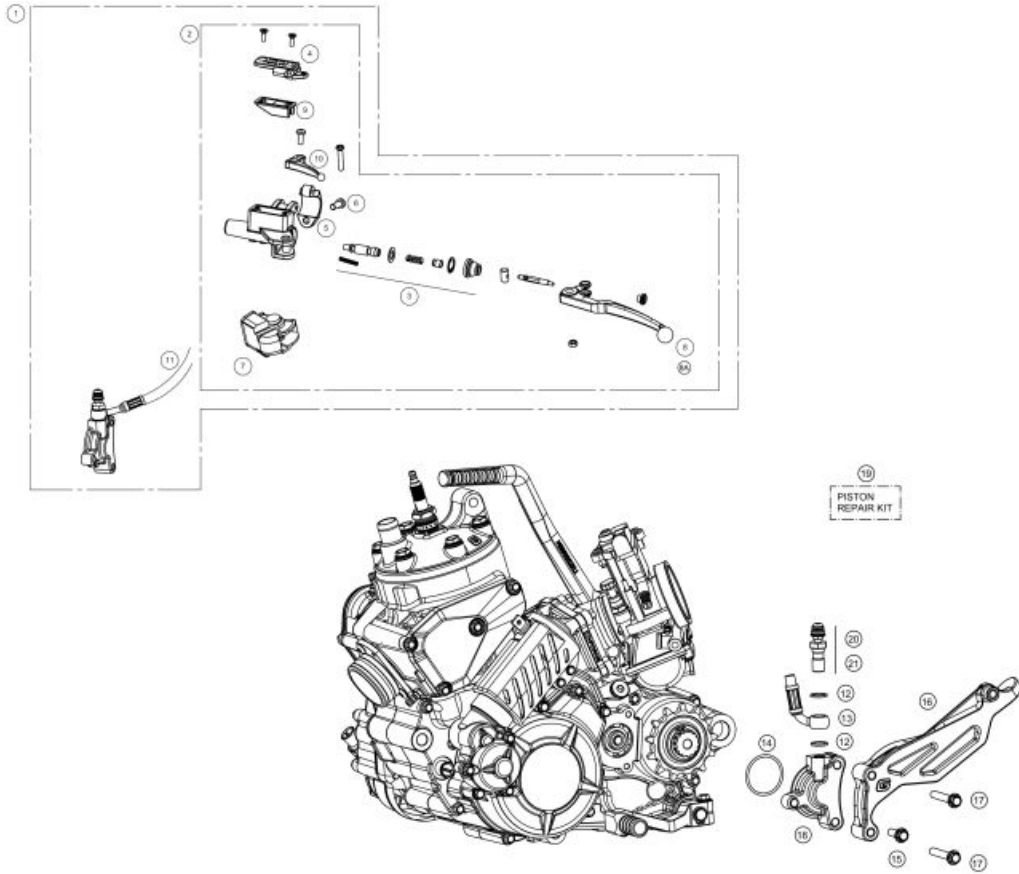
**Freno Trasero**



1	PASADOR 8X20 PEDAL FRENO BE25622026 (u. 1)	OBSOLETE
2	PASADOR 8X20 PEDAL FRENO 0/000.840.9101 (u. 1)	
3	CLAVILLA PASADOR FRENO 2X20 BE25622027 (u. 1)	OBSOLETE
4	CLAVILLA PASADOR FRENO 2X20 0/000.840.9102 (u. 1)	
5	CTO.BOMBA FRENO TRASERO EC 2018 0/000.820.9105 (u. 1)	
6	CTO.BOMBA FRENO TRASERO EC 2018 BE66000GG-CLJ-1 (u. 1)	OBSOLETE
7	INTERRUPTOR 23-016/1 STOP BOMBA NISSIN 3 BE250334003 (u. 1)	
8	ARANDELA LATIGUILLO 10X14X1 BE25622007 (u. 4)	
9	TORN.ESP.6X16 DIN 6921 ZINC.10.9 0/000.460.9119 (u. 2)	
9A	TORN.ESP.6X16 10.9 ZINC. T0206016 (u. 2)	OBSOLETE
10	ARANDELA DE 8X16X1,5 T4008016 (u. 1)	
11	BRIDA UNEX NYLON CORTA 2221-0 2.5X98 =P380003 0/000.660.9106 (u. 3)	
12	BRIDA nylon CORTA 2221-0 2.5X98 =P380003 BE25634010 (u. 3)	OBSOLETE
13	CTO.FRENO TRAS.EC-2018 BE65000CT-CLJ-1 (u. 1)	OBSOLETE
14	CTO.FRENO TRAS.EC-2018 0/000.820.9104 (u. 1)	

10	LATIGUILLO FRENO TRAS.EC-2009 BE661002509 (u. 1)	
11	KIT PASTILLAS FRENO TRAS.EC-2009 002-C94 BE675002509 (u. 1)	
12	PLATINA (B) SUJ.PAST.TRAS.002-C53-101 BE250022091 (u. 1)	
13	TORN.SUJ.PINZA 012-C54-001 BE250022096 (u. 1)	
14	TAP.SANGRADOR NISSIN 009-Z51-015 BE250022055 (u. 1)	
15	SANGRADOR NISSIN 079-Z50-001 BE250022060 (u. 1)	
16	SOP.PINZA FRENO TRAS.NISSIN EC-2009 BE671002509 (u. 1)	
17	TORN.CLAVIJA PINZA FRENO 082-C48-023 BE250022034 (u. 1)	
18	GUARDAPOLVO PINZA FRENO TRAS.EC-2009 250 BE675802509 (u. 1)	
19	CTO.PINZA FRENO TRAS.+SOP.EC-2009 BE67000CT2509 (u. 1)	<b>OBSOLETE</b>
	CTO.PINZA FRENO TRAS.+SOP.EC-2009 0/000.860.9102 (u. 1)	
20	PASADOR PASTILLAS TRAS.002-C50-053 BE250022094 (u. 1)	
21	PROTECC.PASADOR NISSIN 002-C51-012 BE250022095 (u. 1)	
22	GUARDAPOLVO PINZA EC 002-C49-104 BE620692508 (u. 1)	
23	PISTON PINZA FRENO TRAS.EC-2009 252-C34- BE675602509 (u. 1)	
24	RETEN PINZA FRENO TRAS.EC-2009 250-C43-0 BE675502509 (u. 1)	
25	RETEN PINZA FRENO TRAS.EC-2009 BE675552509 (u. 1)	
26	RACORD SUJ.LATIGUILLO 10X1,25(9257) BC25722006 (u. 1)	

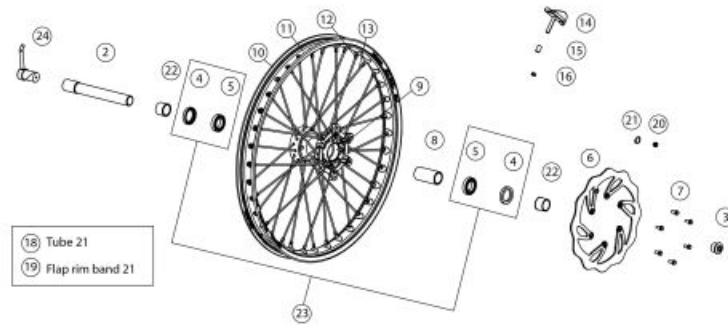
**Mando Embrague**



1	CTO.EMBR.EC MAGURA 9.5 DOT-4 (167) 0/000.830.9101 (u. 1)	
	CTO.EMBR.EC MAGURA 9.5 DOT-4 (167) BE45000003011 (u. 1)	<b>OBSOLETE</b>
2	BOMBA EMBR.MAGURA 9,5 (167) 2000396 BE45000013011 (u. 1)	
3	KIT PISTON 9,5 (0723184) BE45000043011 (u. 1)	
4	TAPA ACEITE MINERAL (0723164) BE45000053011 (u. 1)	
5	BRIDA SUJ.(0723118) BE45000063011 (u. 1)	
6	TORN.ESP.6x20 10.9 ZINC.(CEX) T0206020 (u. 1)	<b>OBSOLETE</b>
	TORN.ESP.6x20 DIN 6921 GEOMET 10.9 0/000.460.9120 (u. 1)	
7	GUARDAPOLVO (0723163) BE45000093011 (u. 1)	
8A	MANETA LARGA EMBR.(0723290) BE45000033011 (u. 1)	
8	MANETA CORTA EMBR.(0723121) BE45000023011 (u. 1)	
9	MEMBRANA DEPOSITO BE45000103011 (u. 1)	
10	LEVA STARTER (0723189) BE45000073011 (u. 1)	
11	LATIGUILLO EMBR.ENDURO (FK003CE021E) BE250522003 (u. 1)	

12	ARANDELA LATIGUILLO 10X14X1 BE25622007 (u. 2)	
13	LATIGUILLO EMBR.ENDURO (FK003CE021E) BE250522003 (u. 1)	
14	TORICA BOMB.EMBR.LIQ.32X2 EPDM ME25632024 (u. 1)	
15	TORN.ESP.6x20 DIN 6921 GEOMET 10.9 0/000.460.9120 (u. 1)	
	TORN.ESP.6x20 10.9 ZINC.(CEX) T0206020 (u. 1)	<b>OBSOLETE</b>
16	KIT PATIN CADENA 3 COMP. BE43015CT-CLJ-1 (u. 1)	
17	TORN.ESP.6x50 Fil.20 DIN 6921 GEOMET 10.9 0/000.460.9126 (u. 2)	
	TORN.ESP.6x50 Fil.20 10.9 T0206050 (u. 2)	<b>OBSOLETE</b>
18	BOMBIN EMBRAGUE ME250632026 (u. 1)	
19	BOMBIN EMBRAGUE ME250632026 (u. 1)	
	KIT REPARACION BOMBIN EMBR.ACEITE BE250622050 (u. 1)	<b>OBSOLETE</b>
20	TAP.SANGRADOR TT BE25622055 (u. 1)	<b>OBSOLETE</b>
	TAP.SANGRADOR FD-G006-00 BT27922055 (u. 1)	
21	SANGRADOR PINZA EMBR.TT BE25622060 (u. 1)	

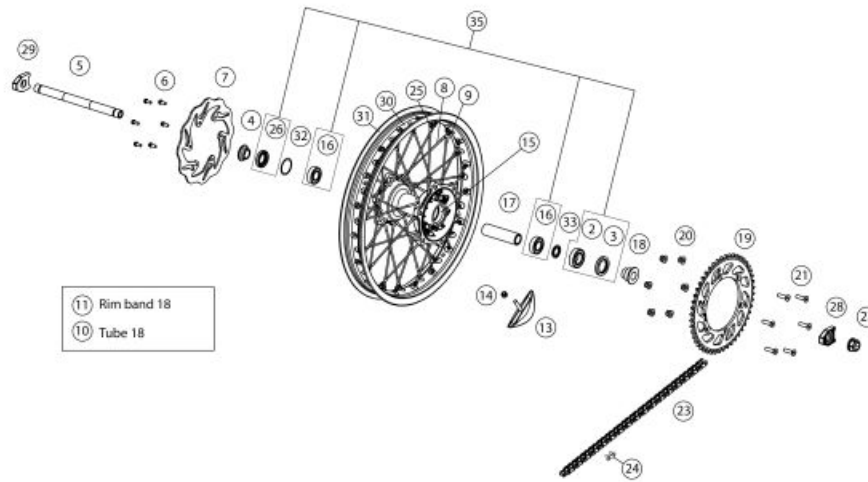
**Rueda Delantera**



2	EJE RUEDA DEL.EC-2011 20.8CM 0/000.190.9102 (u. 1)	
	EJE RUEDA DEL.EC-2011 20.8CM BE53000R3011 (u. 1)	<b>OBSOLETE</b>
3	TORN.EJE RUEDA DEL.M-22 EC250-2007 BE250718026 (u. 1)	<b>OBSOLETE</b>
	TUERCA EJE DELANTERO 0/000.340.9100 (u. 1)	
4	RETEN CUBO DEL.390.99.59-30X42X7 BE250418057 (u. 2)	
5	RODAM.61905 2RS1 ME120136055 (u. 2)	
6	DISCO FRENO DELANTERO ENDURO 2018 260mm 0/001.090.9105 (u. 1)	
	DISCO FRENO DELANTERO ENDURO 2018 BE52000GG-CLJ-1 (u. 1)	<b>OBSOLETE</b>
7	EXAG.6x14+ARANDELA GEOMET 10.9 TUFLOK 0/000.460.9142 (u. 1)	
	EXAG.6x14+ARANDELA 10.9 GEOMET T0246014 (u. 1)	<b>OBSOLETE</b>
8	CASQ.SEP.CUBO DEL.390.80.234 BE250418058 (u. 1)	
9	CUBO RUEDA DEL.EC 2014 BE54110GG-CAB-1 (u. 1)	
10	LLANTA DEL.EXCEL NG.EC-2009 0/000.230.9101 (u. 1)	
	LLANTA DEL.EXCEL NG.EC-2009 BE54001R2509 (u. 1)	<b>OBSOLETE</b>

11	CTO.LLANTA DELANTERA RADIADA EC 2018 BE54000CT-CLJ-1 (u. 1)	OBSOLETE
	CTO.LLANTA DELANTERA RADIADA EC 2018 0/000.110.9100 (u. 1)	
12	TUERCA RADIO DEL. BE542503013 (u. 36)	
13	RADIO DEL.EC-2013 BE542003013 (u. 36)	
14	AGARRE DEL.EC-2009 1.6x21 BE505002509 (u. 1)	OBSOLETE
	AGARRE DEL.EC-2009 1.6x21 0/000.220.9114 (u. 1)	
15	CASQ.AGARRE CUBIERTA EC-2010 8X12X12 0/000.480.9112 (u. 1)	OBSOLETE
	CASQ.AGARRE CUBIERTA EC-2010 8X12X12 BE555102510 (u. 1)	
16	TUERCA AUTOBL.M-8 BAJA DIN 985 ZINC 0/000.340.9114 (u. 1)	OBSOLETE
	TUERCA AUTOBLOCANTE M-8 BAJA DIN 985 ZINC. T2108001 (u. 1)	
18	CAMARA DELANTERA 21MDR VALVE TR4 833092 0/000.520.9100 (u. 1)	OBSOLETE
	CAMARA DELANTERA 21MDR VALVE TR4 BE502002511 (u. 1)	
19	PROT.BANDA DEL.FLAP 1.60/1.85 X 21(1400X25) 949947 0/000.220.9108 (u. 1)	OBSOLETE
	PROTECTOR BANDA DELANTERA FLAP 1.60/1.85 X 21(1400X25) BE503002511 (u. 1)	
20	IMAN EC 2010 0/001.010.9101 (u. 1)	OBSOLETE
	IMAN EC 2010 BE520502510 (u. 1)	
21	SEGEER A 9 DIN 471 SOP.IMAN EC 2010 BE520602510 (u. 1)	OBSOLETE
	SEGEER A 9 SOP.IMAN EC 2010 DIN 471 PAVONADO NEGRO 0/000.300.9100 (u. 1)	
22	DIST.RUEDA DEL.2004 BC250418019 (u. 2)	OBSOLETE
	CASQUILLO RUEDA DELANTERA 0/000.480.9100 (u. 2)	
23	KIT COJINETES I RETENES RUEDA DEL. BE51000CT2510 (u. 1)	
24	TIRADOR EJE DEL.EC BE536002511 (u. 1)	

## Rueda Trasera



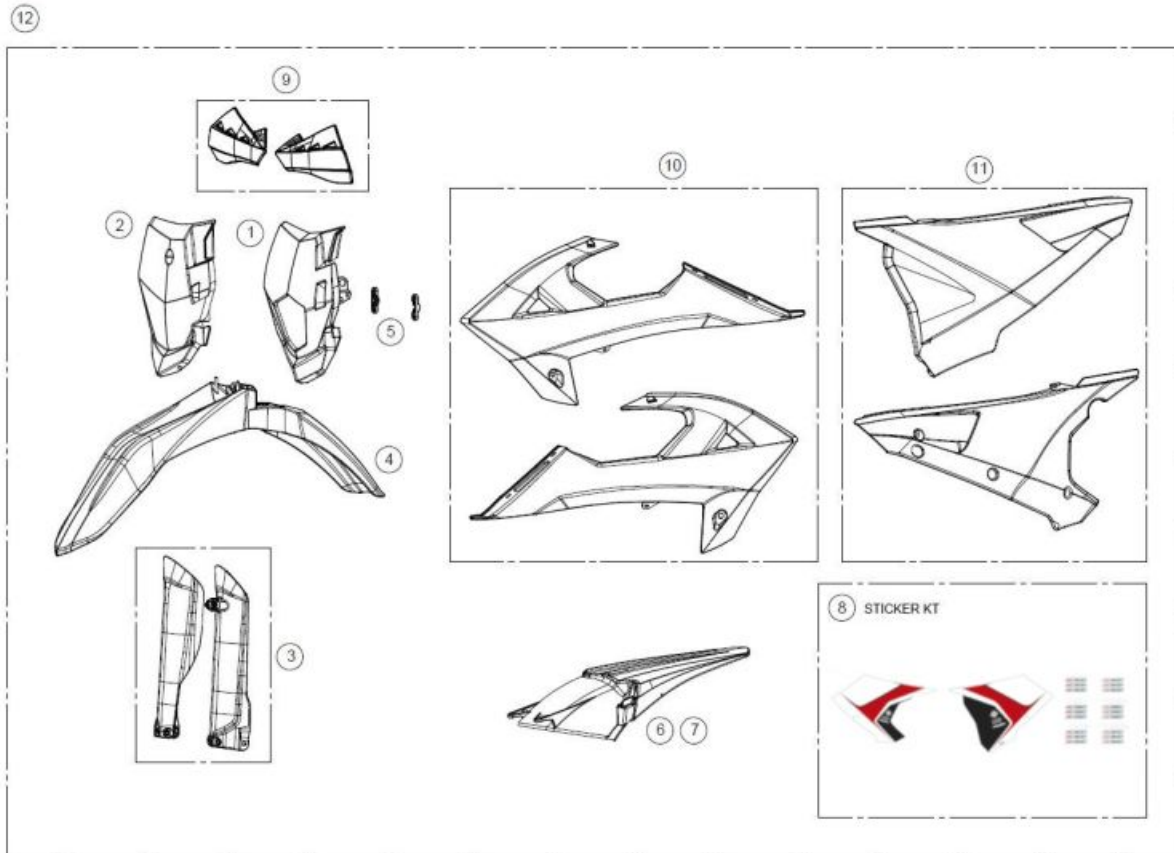
2	COJINETE RUEDA TRAS.6005-2SRH C3 BE250318054 (u. 1)	
3	RETEN RUEDA TT 2003 32X47X7 BE250318055 (u. 1)	
4	DIST.RUEDA TRAS.CORTO EC-2000 BE250018025 (u. 1)	<b>OBSOLETE</b>
	DIST.RUEDA TRAS.CORTO EC-2000 0/000.480.9104 (u. 1)	
5	EJE RUEDA TRAS.EC 2018 BE58000GG-CLJ-1 (u. 1)	<b>OBSOLETE</b>
	EJE RUEDA TRAS.EC 2018 0/000.190.9103 (u. 1)	
6	EXAG.6x14+ARANDELA INCOMP. T0206014 (u. 6)	<b>OBSOLETE</b>
	EXAG+ARANDELA 6x14 DIN 6921 0/000.460.9118 (u. 6)	
7	DISCO FRENO TRASERO ENDURO 2018 220mm 0/001.090.9103 (u. 1)	
	DISCO FRENO TRASERO ENDURO 2018 BE57000GG-CLJ-1 (u. 1)	<b>OBSOLETE</b>
8	RADIO 192X4.5 LADO FRENO 18" BE59200GG-CLJ-1 (u. 18)	
9	RADIO 188X4.5 LADO CORONA 18" BE59210GG-CLJ-1 (u. 18)	
10	CAMARA TRASERA CH 18 MGR VALVE TR4 MICHELIN BE552002511 (u. 1)	<b>OBSOLETE</b>
	CAMARA TRASERA CH 18 MGR VALVE TR4 MICHELIN 0/000.520.9102 (u. 1)	

11	PROT.BANDA TRASERO 1.60/2.00 X 18/19 (1300X25) 656415 MICHELIN BE553002511 (u. 1)	OBSOLETE
	PROT.BANDA TRASERO 1.60/2.00 X 18/19 (1300X25) 656415 MICHELIN 0/000.220.9110 (u. 1)	
13	AGARRE TRAS.EC-2009 2.15x18 0/000.220.9115 (u. 1)	OBSOLETE
	AGARRE TRAS.EC-2009 2.15x18 BE555002509 (u. 1)	
14	TUERCA AUTOBLOCANTE M-8 BAJA DIN 985 ZINC. T2108001 (u. 1)	OBSOLETE
	TUERCA AUTOBL.M-8 BAJA DIN 985 ZINC 0/000.340.9114 (u. 1)	
15	CUBO RUEDA TRASERA EC 2018 BE59100GG-CLJ-1 (u. 1)	
16	COJINETE 6004 2RS1 C160001 (u. 2)	
17	DISTANCIADOR INTERIOR BUJE TRASERO ENDURO 2018 BE59105GG-CLJ-1 (u. 1)	
18	DIST.RUEDA TRAS.IZQ.ENDURO 2018 BE58110GG-CLJ-1 (u. 1)	OBSOLETE
	DIST.RUEDA TRAS.IZQ.ENDURO 2018 0/000.480.9113 (u. 1)	
19	CORONA Z 50 ENDURO 2014 COLOR TIT. 0/000.500.9102 (u. 1)	OBSOLETE
	CORONA Z 48 ENDURO 2011 COLOR TIT. BE573002511 (u. 1)	
	PLATO ARRASTRE Z-49 CROSS 250 0/000.500.9100 (u. 1)	
	CORONA Z 50 ENDURO 2014 COLOR TIT. BE57300GG-CAF-1 (u. 1)	
	CORONA Z 48 ENDURO 2011 COLOR TIT. 0/000.500.9101 (u. 1)	
	CORONA Z-49 CROSS 250 BC25818024 (u. 1)	OBSOLETE
20	TUERCA AUTOBL+ARANDELA M8 T2208002 (u. 6)	OBSOLETE
	TUERCA AUTOBL + ARANDELA M8 ZINC 0/000.340.9119 (u. 6)	
21	ALLEN CONICO 8X30 DIN 7991 ZINC 12.9 0/000.460.9153 (u. 6)	OBSOLETE
	ALLEN+8X30 TENS.CAD. T0408030 (u. 6)	
22	TUERCA RUEDA TRAS.ENDURO 2018 BE58020GG-CLJ-1 (u. 1)	OBSOLETE
	TUERCA RUEDA TRAS.ENDURO 2018 0/000.340.9104 (u. 1)	
23	CADENA ABIERTA 135 ZRA 112 PASOS CON CLIP 0/001.050.9100 (u. 1)	OBSOLETE
	CADENA ABIERTA 135 ZRA 112 PASOS CON CLIP BE57800GG-CLJ-1 (u. 1)	
24	ENGANCHE CADENA ENDURO 2018 BE57810GG-CLJ-1 (u. 1)	
25	TUERCA RADIO TRASERO BE592153013 (u. 36)	
26	RETEN RUEDA DEL.TT 25x42x7 C160710 (u. 1)	



28	TENSOR CADENA CIEGO ENDURO 2018 BE44001GG-CLJ-1 (u. 1)	OBSOLETE
	TENSOR CADENA CIEGO ENDURO 2018 0/000.380.9100 (u. 1)	
29	TENSOR CADENA PASANTE ENDURO 2018 0/000.380.9101 (u. 1)	OBSOLETE
	TENSOR CADENA PASANTE ENDURO 2018 BE44002GG-CLJ-1 (u. 1)	
30	CTO.LLANTA TRASERA RADIADA EC 2018 BE59000CT-CLJ-1 (u. 1)	OBSOLETE
	CTO.LLANTA TRASERA RADIADA EC 2018 0/000.120.9100 (u. 1)	
31	LLANTA TRAS.EXCEL NG.EC-2009 BE59001R2509 (u. 1)	OBSOLETE
	LLANTA TRAS.EXCEL NG.EC-2009 0/000.230.9103 (u. 1)	
32	ANILLO SEGEER DIA.42 BE25618038 (u. 1)	
33	ARANDELA SUPLEMENTO RODA.490.80.096 BE250318056 (u. 1)	
35	KIT COJINETES I RETENES RUEDA TRAS. BE56000CT2510 (u. 1)	

**PLASTIC + DECAL SET EC/XC 2019**

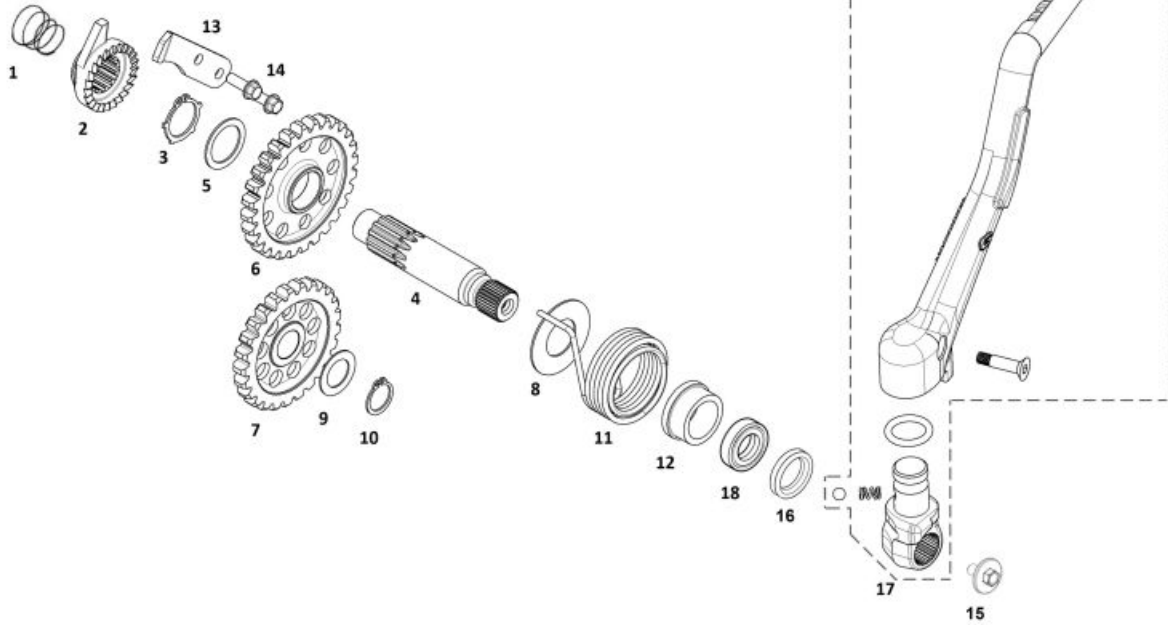


1	PORTAFARO DEL.EC 2018 BL. BE90500GG-CLJ-1 (u. 1)	<b>OBSOLETE</b>
	PORTAFARO DEL.EC 2018 BL. 0/000.620.9100 (u. 1)	
2	PLACA PORTANUMEROS DELANTERA CROSS COUNTRY 2018 BLANCA BE90500GG-MXC-1 (u. 1)	
3	JUEGO PROT.HORQ.EC 2018 BL. BE94600CT-CLJ-1 (u. 1)	
4	GUARDAB.DEL.EC 2018 ROJO BE91000GG-CLJ-1 (u. 1)	
5	SOP.FARO BL. 0/000.980.9104 (u. 2)	
	SOP.FARO BL. BE905102511 (u. 2)	<b>OBSOLETE</b>
6	CTO.GUARDAB.TRAS.EC 2018 BL. BE93500GG-CLJ-1 (u. 1)	<b>OBSOLETE</b>
	CTO.GUARDAB.TRAS.EC 2018 BL. 0/000.060.9100 (u. 1)	
7	GUARDABARROS TRASERO CROSS COUNTRY 2018 BLANCA BE93500GG-MXC-1 (u. 1)	
8	KIT ADHESIVOS PLACAS PORTANUMEROS LATERAL EC 2019 BE95110CT-CSK-1 (u. 1)	
9	CTO. PARAMANOS POLISPORT BL.S BE90000223012 (u. 1)	
10	KIT TAPAS RADIADOR EC 2019 BE92000CT-CSK-1 (u. 1)	
11	KIT TAPAS PORTANUMEROS BLANCOS EC 2018-2019 BE93000CT-CLJ-1 (u. 1)	

<b>12</b>	KIT PLASTICA ENDURO 2019 BE90000CT-CSK-1 (u. 1)
-----------	--

# **XC 2T 2019 - Engine**

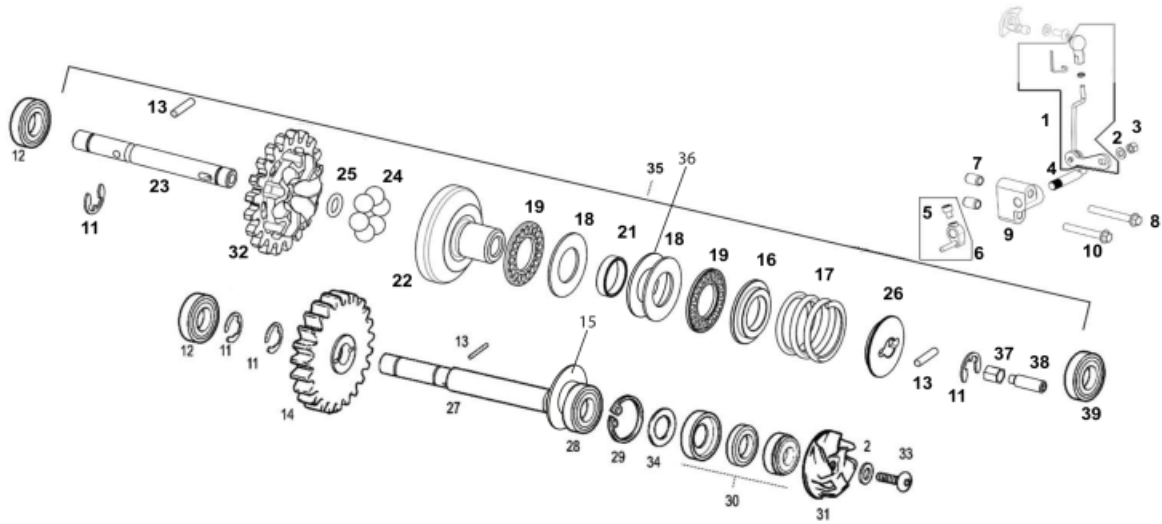
## Palanca de arranque



1	MUELLE TRINQUETE ARRANQUE ME25636006 (u. 1)	<b>OBSOLETE</b>
2	MUELLE TRINQUETE ARRANQUE 0/000.470.9109 (u. 1)	
2	TRINQUETE ARRANQUE EC125cc 0/005.400.9110 (u. 1)	
2	TRINQUETE ARRANQUE EC125cc ME120126004 (u. 1)	<b>OBSOLETE</b>
3	SEEGER DE 20 ARRANQUE=M03615000 ME25636052 (u. 1)	<b>OBSOLETE</b>
3	SEEGER D.20 DIN 471 0/000.300.9105 (u. 1)	
4	EJE ARRANQUE EC-2001 ME250126003 (u. 1)	<b>OBSOLETE</b>
4	EJE ARRANQUE EC-2001 0/005.400.9106 (u. 1)	
5	ARAN.TOPE 27X20.2X1 DESPL ARRAN. 0/000.440.9109 (u. 1)	
5	ARAN.TOPE 27X20.2X1 DESPL ARRAN. ME25636000 (u. 1)	<b>OBSOLETE</b>
6	PIÑON ARRANQUE EC-2001 ME250126002 (u. 1)	<b>OBSOLETE</b>
6	PIÑON ARRANQUE EC-2001 0/005.400.9105 (u. 1)	
7	PIÑON INT.ARRANQUE EC-2008 ME880002508 (u. 1)	<b>OBSOLETE</b>
7	PIÑON INT.ARRANQUE EC-2008 0/005.400.9108 (u. 1)	
8	ARANDELA ARRANQUE 20X40X1 ME25636051 (u. 1)	<b>OBSOLETE</b>
8	ARANDELA ARRANQUE 20X40X1 0/000.440.9111 (u. 1)	

9	VOLANDERA PIÑON ARRAN.24X15.15X0.8 ME25636012 (u. 1)	OBSOLETE
	VOLANDERA PIÑON ARRAN.24X15.15X0.8 0/000.440.9110 (u. 1)	
10	SEEGER D.15MM DIN 471 0/000.300.9101 (u. 1)	OBSOLETE
	SEEGER D 15MM DIN 471 PIÑON INT.ARRANQUE M02623000 (u. 1)	
11	MUELLE ARRANQUE 0/000.470.9110 (u. 1)	OBSOLETE
	MUELLE ARRANQUE ME86000GG-CAB-1 (u. 1)	
12	CASQ.CENTRADOR MUELLE ARRANQUE 0/000.480.9125 (u. 1)	OBSOLETE
	CASQ.CENTRADOR MUELLE ARRANQUE ME86500GG-CAB-1 (u. 1)	
13	PLATINA TRINQUETE ARRANQUE ME25636005 (u. 1)	OBSOLETE
	PLATINA TRINQUETE ARRANQUE 0/000.980.9114 (u. 1)	
14	TORN.ESP.+ARAND.5x15 DIN 6921 GEOMET 10.9 0/000.460.9115 (u. 2)	OBSOLETE
	TORN.ESP.+ARAND.5x15 ZI T0205015 (u. 2)	
15	TORNILLO ESPECIAL 6X11 GEOMET 10.9 0/000.460.9134 (u. 1)	OBSOLETE
	TORNILLO ESPECIAL 6X11 10.9 T0226011 (u. 1)	
16	CASQ.TOPE PEDAL ARRANQUE EC 2014 0/000.480.9126 (u. 1)	OBSOLETE
	CASQ.TOPE PEDAL ARRANQUE EC 2014 ME89025GG-CAB-1 (u. 1)	
17	CTO.PEDAL ARRANQUE 0/005.430.9101 (u. 1)	OBSOLETE
	CTO.PEDAL ARRANQUE ME89000CT2511 (u. 1)	
	PEDAL ARRANQUE Y MUÑEQUILLA EC 250 4T 20 MFS890002510 (u. 1)	
18	RETEN PEDAL ARRAN.20X30X7 ME25632021 (u. 1)	OBSOLETE
	RETEN PEDAL ARRAN.20X30X7 0/000.890.9105 (u. 1)	

**Bomba de agua**



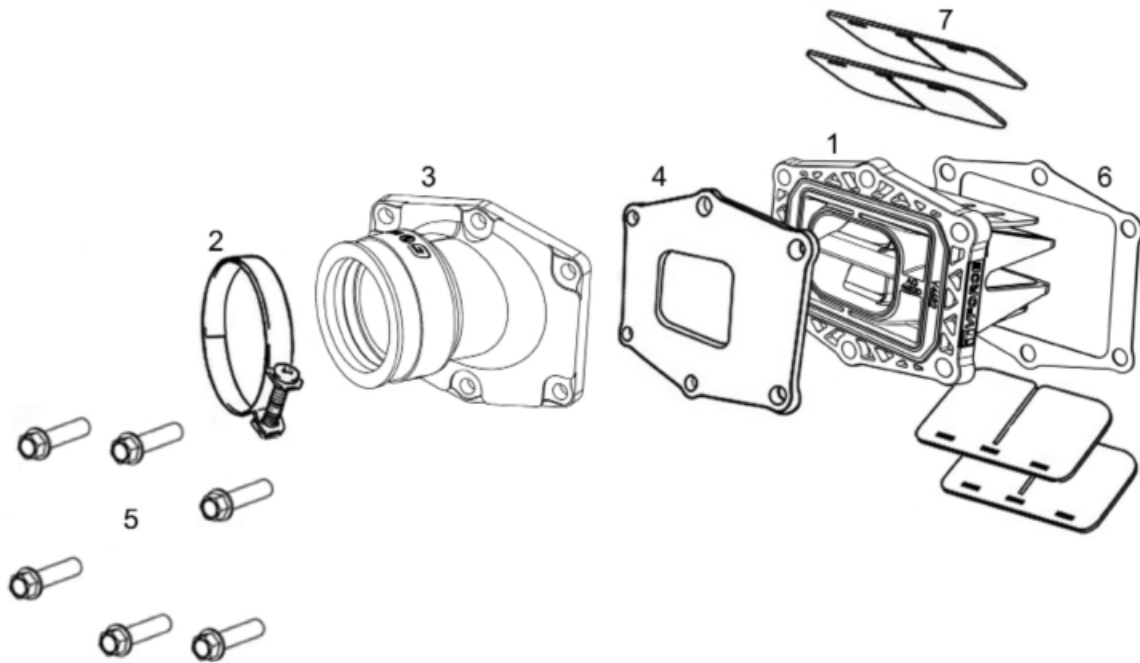
1	CTO.VARILLA VALV.ESCAPE COMPLETO EC 2015 0/000.640.9104 (u. 1)	
	CTO.VARILLA VALV.ESCAPE COMPLETO EC 2015 ME72325CT-CEQ-1 (u. 1)	OBSOLETE
2	ARANDELA 5X12X1.5 DIN 125A ZINC 0/000.440.9121 (u. 2)	
	ARANDELA 5X12X1.5 T4005012 (u. 2)	OBSOLETE
3	TUERCA AUTOBL.DIN-985 M-5 ZN BAJA T2105000 (u. 1)	OBSOLETE
	TUERCA AUTOBL. M-5 BAJA DIN-985 ZINC 8 0/000.340.9112 (u. 1)	
4	EJE PALANCA CENTRIFUGO ME59035GG-CEQ-1 (u. 1)	OBSOLETE
	EJE PALANCA CENTRIFUGO 0/000.190.9108 (u. 1)	
5	ALLEN 5 X 6 (12.9) T0305006 (u. 1)	
6	CTO.PALANCA SALIDA CENTRIF. EC 300 2011 0/005.490.9101 (u. 1)	
	CTO.PALANCA SALIDA CENTRIF. EC 300 2011 ME59045CT-CEQ-1 (u. 1)	OBSOLETE
7	CASQ.CENTRADOR CARTER 6X9X14 =ME25610018 M01017000 (u. 2)	OBSOLETE
	CASQ.CENTRADOR CARTER 6X9X14 =ME25610018 0/000.480.9119 (u. 2)	
8	TORN.ESP.6x60 Fil.20 10.9 T0206060 (u. 1)	OBSOLETE
	TORN.ESP.6x60 Fil.20 DELTA PROTEK 10.9 0/000.460.9128 (u. 1)	
9	SOPORTE EJE MANDO VALVULA EC 2015 ME59040GG-CEQ-1 (u. 1)	OBSOLETE
	SOPORTE EJE MANDO VALVULA EC 2015 0/000.980.9115 (u. 1)	

10	TORN.ESP.6x40 Fil.20 T0206040 (u. 1)	OBSOLETE
	TORN.ESP.6x40 Fil.20 GEOMET 10.9 0/000.460.9125 (u. 1)	
11	SEEGER DIN 6799 E-7 ME25616024 (u. 4)	OBSOLETE
	SEEGER DIN 6799 E-7 0/000.300.9103 (u. 4)	
12	RODA.EJE CENTRI.Y BOMBA 608.Z.C3 ME25616032 (u. 2)	OBSOLETE
	RODA.EJE CENTRI.Y BOMBA 608.Z.C3 0/000.960.9108 (u. 2)	
13	RODILLO 3X14 BOMBA AGUA CENTRI. ME25616028 (u. 3)	OBSOLETE
	RODILLO 3X14 .DIN 7 ISO 2338 INOX A1 BOMBA AGUA CENTRIFUGO 0/000.280.9101 (u. 3)	
14	PIÑON BOMBA AGUA Y CENTRI. 0/005.400.9111 (u. 1)	OBSOLETE
	PIÑON BOMBA AGUA Y CENTRI. ME25610005 (u. 1)	
15	ARANDELA DIAM.10 X DIAM.19 X 0,5 0/000.440.9113 (u. 1)	OBSOLETE
	ARANDELA DIAM.10 X DIAM.19 X 0,5 MFS450526516 (u. 1)	
16	RETEN RESORTE ME59026GG-CEQ-1 (u. 1) - 250cc / 300cc	
17	MUELLE CENTRIFUGO VALV.ESC.99 ME25916026 (u. 1) - 250cc / 300cc	
18	PLACA AGUJA ROD.BOLET Y VAL.ESCAPE AS 15 ME25632016 (u. 2)	OBSOLETE
	PLACA AGUJA ROD.BOLET Y VAL.ESCAPE AS 15 0/000.440.9107 (u. 2)	
19	JAULA AGUJA VALV.ESCAPE AXK 1528 ME25632046 (u. 2)	OBSOLETE
	JAULA AGUJA VALV.ESCAPE AXK 1528 0/000.960.9109 (u. 2)	
21	SEP.COJINETE CENTRIFUGO ME25616008 (u. 1)	
22	CAMPANA CENTRIFUGO EC 2015 ME59030GG-CEQ-1 (u. 1)	
23	EJE CENTRIFUGO EC 2015 ME59015GG-CEQ-1 (u. 1)	
24	BOLA CENTRIFUGO EMB.DE 8 m/m. ME25616033 (u. 6)	
25	TORICA 6X2 EJE CENTR.VAL.ESCAPE ME25616045 (u. 1)	
26	ARAMDELA APYO MUELLE EC 300 2015 ME59025GG-CEQ-1 (u. 1) - 250cc / 300cc	
27	EJE PIÑON BOMBA AGUA ME25610006 (u. 1)	
	EJE PIÑON BOMBA AGUA 0/000.190.9104 (u. 1)	
28	RODAM.BOMBA AGUA 6000C3Z =M03313001 ME25610010 (u. 1)	OBSOLETE
	RODAM.BOMBA AGUA 6000C3Z =M03313001 0/000.960.9107 (u. 1)	



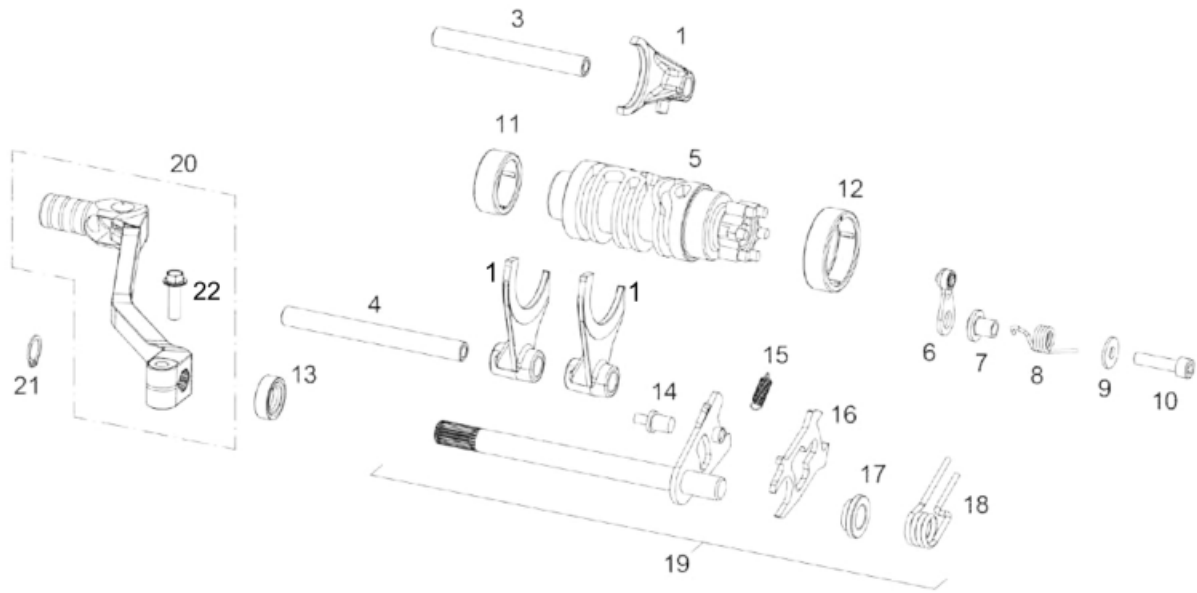
29	SEEGER D.26 DIN 472-I26 0/000.300.9106 (u. 1)	
	SEEGER INT.26 B.AGUA=M03314012 DIN 472-I26 ME25636065 (u. 1)	<b>OBSOLETE</b>
30	RETEN BOMBA AGUA (ESTOPADA) 1510 CA/CE 1 0/000.890.9104 (u. 1)	
	RETEN BOMBA AGUA (ESTOPADA) 1510 CA/CE 1 ME25610011 (u. 1)	<b>OBSOLETE</b>
31	TURBINA BOMBA AGUA 2014 ME56000GG-CAB-1 (u. 1)	<b>OBSOLETE</b>
	TURBINA BOMBA AGUA 2014 0/005.220.9100 (u. 1)	
32	PIÑON CENTRIFUGO EC 300 2015 ME59050GG-CEQ-1 (u. 1)	
33	TORNILLO ULS 6X16 ISO 7380-1 ZINC 12.9 T0506016 (u. 1)	
34	ARANDELA 25.8x17.5x0.5 BOMBA AGUA 0/000.440.9103 (u. 1)	
	ARANDELA 25.8x17.5x0.5 BOMBA AGUA M03625000 (u. 1)	<b>OBSOLETE</b>
35	CENTRIFUGO COMPLETO EC 300 2015 0/000.640.9101 (u. 1)	
	CENTRIFUGO COMPLETO EC 300 2015 ME59000CT-CEQ-1 (u. 1)	<b>OBSOLETE</b>
36	ARANDELA 15X28X0.8 Y00.25406408 (u. 1)	
37	TUERCA HEXAGONAL 6 M5 T2706050 (u. 1)	
38	TORNILLO DE AJUSTE HEXA.INT.M5X16 T0325016 (u. 1)	
39	RODAMIENTO BOL. 619/8-ZZ ME21500GG-CEQ-1 (u. 1)	<b>OBSOLETE</b>
	RODAMIENTO BOL. 619/8-ZZ 0/000.960.9105 (u. 1)	

## Válvula de láminas



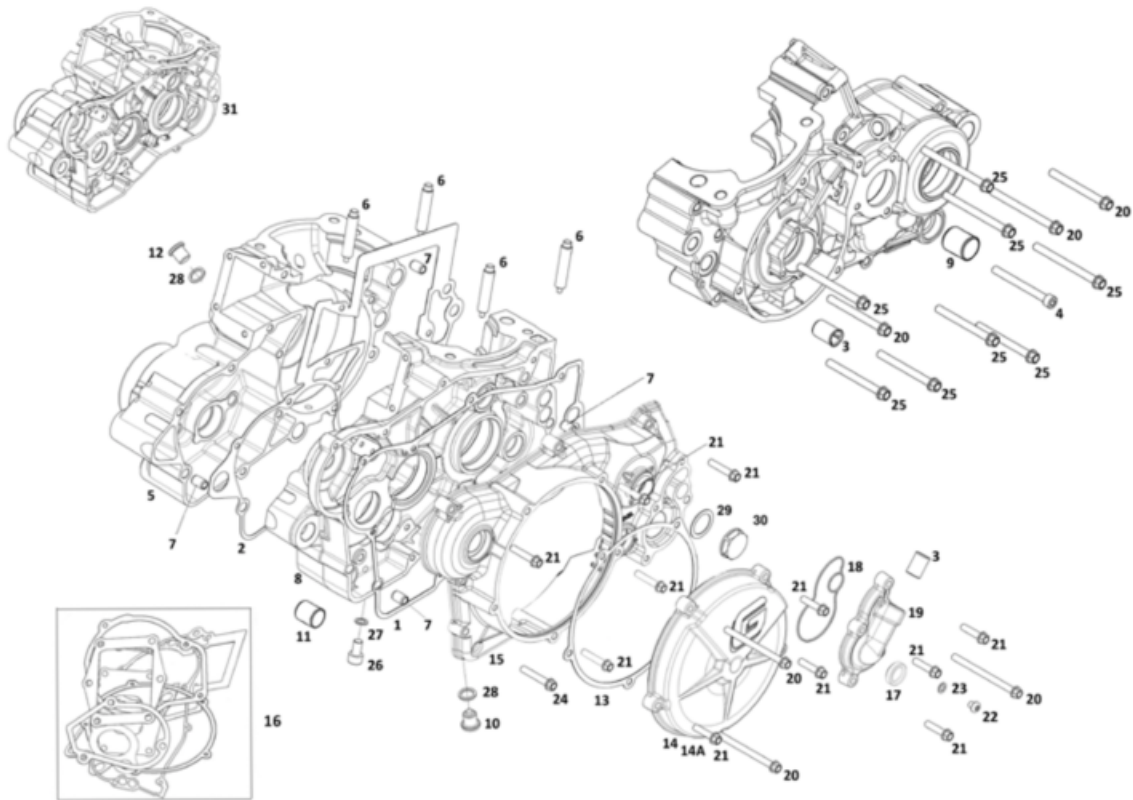
1	CAJA LAMINAS V-FORCE 4 0/005.600.9100 (u. 1)	
	CAJA LAMINAS V-FORCE 4 ME25000GG-CAB-1 (u. 1)	OBSOLETE
2	ABRAZ.S56/9 W1 ZINC 0/000.680.9109 (u. 1)	
	ABRAZ.S56/9 W1 MT280316132 (u. 1)	OBSOLETE
3	TUBERA ADMISION ENDURO 2018 0/000.290.9116 (u. 1)	
	TUBERA ADMISION ENDURO 2018 ME26000GG-CLJ-1 (u. 1)	OBSOLETE
4	JUNTA CAJA LAMINAS TUBERA ENDURO 2018 ME44105GG-CLJ-1 (u. 1)	OBSOLETE
	JUNTA CAJA LAMINAS TUBERA ENDURO 2018 0/000.490.9114 (u. 1)	
5	TORN.ESP.6X25 DIN 6921 GEOMET 10.9 VALONA 11MM 0/000.460.9121 (u. 6)	
	TORN.ESP.6X25(10.9) VALONA 11MM T0206025 (u. 6)	OBSOLETE
6	JUNTA CAJA LAMINAS- CARTER V-FORCE 4 0/000.490.9120 (u. 1)	
	JUNTA CAJA LAMINAS- CARTER V-FORCE 4 ME94600GG-CAB-1 (u. 1)	OBSOLETE
7	JUEGO LAMINAS ADMISION ME27000GG-CAB-1 (u. 2)	

**Eje de Cambio**



1	KIT HORQUILLAS PRIMARIO Y SECUNDARIO ENDURO 2018 ME47000CT-CLJ-1 (u. 1)	
3	EJE HORQ.CORTO ME25636045 (u. 1)	OBSOLETE
	EJE HORQ.CORTO 0/000.190.9107 (u. 1)	
4	EJE HORQ.LARGO ME25636044 (u. 1)	OBSOLETE
	EJE HORQ.LARGO 0/000.190.9106 (u. 1)	
5	DESMODROMICO EC-2005 0/005.090.9100 (u. 1)	
	DESMODROMICO EC-2005 ME250536031 (u. 1)	OBSOLETE
6	FIJADOR MARCHAS EC COMP. ME250036033CT (u. 1)	OBSOLETE
	FIJADOR MARCHAS EC COMP. 0/005.560.9100 (u. 1)	
7	CASQU.PLATINA FIJ.MARCHAS ME25636047 (u. 1)	OBSOLETE
	CASQU.PLATINA FIJ.MARCHAS 0/000.480.9122 (u. 1)	
8	MUELLE FIJADOR MARCHAS EC-2000 ME250036034 (u. 1)	OBSOLETE
	MUELLE FIJADOR MARCHAS EC-2000 0/000.470.9108 (u. 1)	
9	ARANDELA PLANA 6.5X16X1.5 DIN 125 ZINC 0/000.440.9125 (u. 1)	
	ARANDELA PLANA 6.5X16X1.5 T4006016 (u. 1)	OBSOLETE
10	TORN.ESP.6X25 DIN 6921 GEOMET 10.9 VALONA 11MM 0/000.460.9121 (u. 1)	
	TORN.ESP.6X25(10.9) VALONA 11MM T0206025 (u. 1)	OBSOLETE

11	RODAM.DESMODROMICO HK2512 =M03645000 0/000.960.9111 (u. 1)	
	RODAM.DESMODROMICO HK2512 =M03645000 ME25636055 (u. 1)	OBSOLETE
12	ROD.DESMO.HK3512=M03650000 ME25636054 (u. 1)	OBSOLETE
	ROD.DESMO.HK3512=M03650000 0/000.960.9110 (u. 1)	
13	RETEN SELEC.12-22-7 AS-CC =M03821000 0/000.890.9107 (u. 1)	
	RETEN SELEC.12-22-7 AS-CC =M03821000 ME25636048 (u. 1)	OBSOLETE
14	TORN.CENTR.MUELLE SELEC. ME25636042 (u. 2)	OBSOLETE
	TORN.CENTR.MUELLE SELEC. 0/000.460.9110 (u. 2)	
15	MUELLE ESCORPION 250.TT. ME25636039 (u. 1)	
16	ESCORPION EC250-2002 ME250236036 (u. 1)	
17	DOLLA CENTRADOR ESCORPION EC250-2002 ME250236041 (u. 1)	
18	MUELLE SELEC. ME25636035 (u. 1)	
19	EJE SELEC.COMP.EC250 0/005.010.9100 (u. 1)	
	EJE SELEC.COMP.EC250 ME250236038CT (u. 1)	OBSOLETE
20	CTO.PEDAL CAMBIO RF 2014 0/005.430.9100 (u. 1)	
	CTO.PEDAL CAMBIO RF 2014 ME49000CT-CDH-1 (u. 1)	OBSOLETE
21	SEEGER 12X1 DIN 471 0/000.300.9104 (u. 1)	
	SEEGER 12X1 EXT.EJE SELEC. ME25636043 (u. 1)	OBSOLETE
22	TORN.ESP.6x20 10.9 ZINC.(CEX) T0206020 (u. 1)	OBSOLETE
	TORN.ESP.6x20 DIN 6921 GEOMET 10.9 0/000.460.9120 (u. 1)	

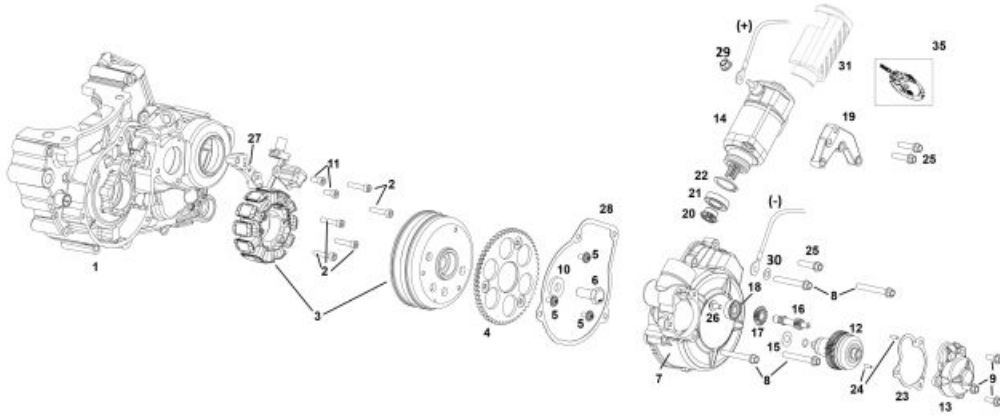
**Cárter de Motor**


1	JUNTA TAPA EMBR.0.5mm 0/000.490.9108 (u. 1)	
	JUNTA TAPA EMBR.0.5mm ME25644002 (u. 1)	<b>OBSOLETE</b>
2	JUNTA CARTER 2018 ME94000GG-CLJ-1 (u. 1)	<b>OBSOLETE</b>
	JUNTA CARTER 2018 0/000.490.9118 (u. 1)	
3	RACORD ENTRADA AGUA 0/000.480.9123 (u. 2)	
	RACORD ENTRADA AGUA ME57015GG-CAB-1 (u. 2)	<b>OBSOLETE</b>
4	ALLEN 6X60 12.9 T0306060 (u. 1)	<b>OBSOLETE</b>
	ALLEN 6X60 DIN 912 ZINC 12.9 0/000.460.9150 (u. 1)	
6	ESPARRAGO CIL. 0/000.280.9100 (u. 4)	
	ESPARRAGO CIL. ME25616023 (u. 4)	<b>OBSOLETE</b>
7	CASQ.CENTRADOR CARTER 6X9X14 =ME25610018 M01017000 (u. 4)	<b>OBSOLETE</b>
	CASQ.CENTRADOR CARTER 6X9X14 =ME25610018 0/000.480.9119 (u. 4)	
9	GLACIER PEDAL FRENO 1215PD10 C200101 (u. 1)	
	GLACIER PEDAL FRENO 1215PD10 0/000.480.9117 (u. 1)	

10	TAPON VACIADO ACEITE HEXAGONAL-COLOR 0/000.410.9104 (u. 1)	
	TAPON VACIADO ACEITE HEXAGONAL-COLOR TITANIO ME10910GG-CSK-1 (u. 1)	OBSOLETE
11	GLACIER PEDAL DAP 1212PD BE25610009 (u. 1)	OBSOLETE
	GLACIER PEDAL DAP 1212PD 0/000.480.9105 (u. 1)	
12	TAPON LLENDO ACEITE HEXAGONAL-COLOR TITANIO ME10900GG-CSK-1 (u. 1)	OBSOLETE
	TAPON LLENDO ACEITE HEXAGONAL-COLOR TITANIO 0/000.410.9103 (u. 1)	
13	JUNTA TAPA DISCOS 2014 0/000.490.9104 (u. 1)	
	JUNTA TAPA DISCOS 2014 ME22015GG-CAB-1 (u. 1)	OBSOLETE
14	TAPA DISCOS EMBRAGUE GRIS ME22010GG-CLJ-1 (u. 1)	OBSOLETE
	TAPA DISCOS EMBRAGUE GRIS 0/000.350.9105 (u. 1)	
15	TAPA EMBRAGUE GRIS RAL (9006) 0/000.350.9107 (u. 1)	
	TAPA EMBRAGUE GRIS RAL (9006) ME65000CT-CLJ-1 (u. 1)	OBSOLETE
16	KIT JUNTAS MOTOR ENDURO 2018 ME94610CT-CLJ-1 (u. 1)	
17	VISOR NIVEL ACEITE EC400-4T 0/000.410.9106 (u. 1)	
	VISOR NIVEL ACEITE EC400-4T MFS400110015 (u. 1)	OBSOLETE
18	JUNTA TAPA BOMBA AGUA 2014 0/000.490.9115 (u. 1)	
	JUNTA TAPA BOMBA AGUA 2014 ME57010GG-CAB-1 (u. 1)	OBSOLETE
19	TAPA BOMBA AGUA GRIS ME57000GG-CLJ-1 (u. 1)	OBSOLETE
	TAPA BOMBA AGUA GRIS 0/000.350.9106 (u. 1)	
20	TORN.ESP.6X75 DELTA PROTEK 12.9 0/000.460.9129 (u. 6)	
	TORN.ESP.6X75 10.9 DRACOMET T0206075 (u. 6)	OBSOLETE
21	TORN.ESP.6X25(10.9) VALONA 11MM T0206025 (u. 11)	OBSOLETE
	TORN.ESP.6X25 DIN 6921 GEOMET 10.9 VALONA 11MM 0/000.460.9121 (u. 11)	
22	TORN.ESP.6X10+ARANDELA GEOMET 10.9 0/000.460.9133 (u. 1)	
	TORN.ESP.6X10+ARANDELA T0226010 (u. 1)	OBSOLETE
23	ARANDELA COBRE 6X10X1.5 TORN.VAC.AGUA CI 0/000.440.9122 (u. 1)	
	ARANDELA COBRE 6X10X1.5 TORN.VAC.AGUA CI T4006008 (u. 1)	OBSOLETE

24	TORN.ESP.M6X35 T0206035 (u. 1)	OBSOLETE
	TORN.ESP.M6X35 DIN 6921 GEOMET 0/000.460.9124 (u. 1)	
25	TORN.ESP.6x60 Fil.20 DELTA PROTEK 10.9 0/000.460.9128 (u. 8)	OBSOLETE
	TORN.ESP.6x60 Fil.20 10.9 T0206060 (u. 8)	
26	ALLEN 8X14 T0308014 (u. 1)	
27	ARANDELA COBRE 8X12X1,5 DIN 125 A ISO 7089 0/000.440.9128 (u. 1)	OBSOLETE
	ARANDELA COBRE 8X12X1,5 TORN.VAC.CAM.PRE T4008012 (u. 1)	
28	ARANDELA TIPO BUJIA 12X18X2 0/000.440.9114 (u. 2)	OBSOLETE
	ARANDELA TIPO BUJIA 12X18X2 MT280410030 (u. 2)	
29	Torica 20 x 1.5 NBR 70 ME65110GG-CEQ-1 (u. 1)	OBSOLETE
	Torica 20 x 1.5 NBR 70 0/000.490.9116 (u. 1)	
30	TAPON REGLAJE CENTRIFUGO 0/000.410.9105 (u. 1)	OBSOLETE
	TAPON REGLAJE CENTRIFUGO ME65100GG-CEQ-1 (u. 1)	
31	CTO.CARTERS ENDURO 300 2018 ME10000CT-CLJ-1 (u. 1) - 250cc / 300cc	
32	CASQ.CENTRADOR CARTER 6X9X14 =ME25610018 0/000.480.9119 (u. 2)	OBSOLETE
	CASQ.CENTRADOR CARTER 6X9X14 =ME25610018 M01017000 (u. 2)	

**Generador**



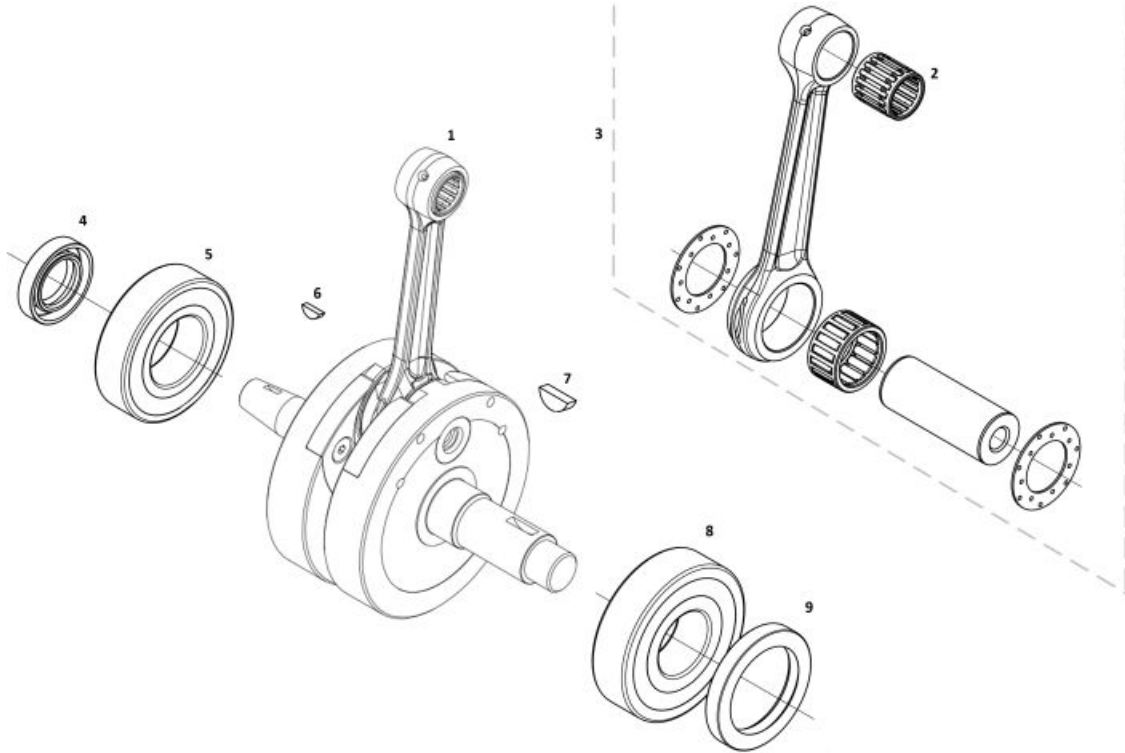
1	KIT ARRANQUE ELECTRICO EC 2015 EE80000CT-CBR-3 (u. 1)	
	KIT ARRANQUE ELECTRICO EC 2015 0/005.480.9101 (u. 1)	
2	ALLEN 5X25 8.8 DRACOMET T0305025 (u. 5)	<b>OBSOLETE</b>
	ALLEN 5X25 DIN 912 DRACOMET 8.8 0/000.460.9146 (u. 5)	
3	KIT VOLANTE MAGNETICO EC 250-300 2019 EE70000CT-CSK-1 (u. 1)	
4	CORONA ARRANQUE ELECTRICO EC 2015 0/005.400.9102 (u. 1)	
	CORONA ARRANQUE ELECTRICO EC 2015 EE80200GG-CBR-2 (u. 1)	
5	TORX CABEZA ABOM.ARANDELA 5X8 ISO 7380-2 10.9 0/000.460.9154 (u. 3)	
	TORX CABEZA ABOM.ARANDELA 5X8 050808BB (u. 3)	<b>OBSOLETE</b>
	TORX CABEZA ABOM.ARANDELA 5X8 T0455008 (u. 3)	<b>OBSOLETE</b>
6	EXAG.10X25 VOL.MAG.N.2018 T02010025 (u. 1)	<b>OBSOLETE</b>
	EXAG.10X25 VOL.MAG.N.2018 GEOMET 0/000.460.9112 (u. 1)	
7	TAPA ENCENDIDO EC 2015 ME60100GG-CBR-3 (u. 1)	
8	TORN.ESP.6x40 Fil.20 T0206040 (u. 1)	<b>OBSOLETE</b>
	TORN.ESP.6x40 Fil.20 GEOMET 10.9 0/000.460.9125 (u. 1)	
9	TORN.ESP.+ARAND.5x15 ZI T0205015 (u. 3)	<b>OBSOLETE</b>
	TORN.ESP.+ARAND.5x15 DIN 6921 GEOMET 10.9 0/000.460.9115 (u. 3)	



10	ARANDELA GRUESA 10x23x4 NG. T4001024 (u. 1)	
11	ALLEN 5X10 DIN 912 ZINC 12.9 0/000.460.9145 (u. 2)	
	ALLEN 5X10 T0305010 (u. 2)	OBSOLETE
12	CTO.BENDIX EC 2015 EE80110CT-CBR-1 (u. 1)	
13	TAPA BENDIX EC 2015 EE80130GG-CBR-2 (u. 1)	
14	MOTOR ARRAN.ELEC.EC 2015 PHI50mm 0/005.480.9100 (u. 1)	
	MOTOR ARRAN.ELEC.EC 2015 PHI50mm EE80000GG-CBR-2 (u. 1)	
15	ARAN.CENTRIF.08.1X17X0.2 =ST950705 ME25616070 (u. 2)	
16	EJE ARRANQUE ELECTRICO Z10 M0.8 0/005.400.9101 (u. 1)	
	EJE ARRANQUE ELECTRICO Z10 M0.8 EE80120GG-CBR-4 (u. 1)	
18	RODA.EJE CENTRI.Y BOMBA 608.Z.C3 ME25616032 (u. 1)	OBSOLETE
	RODA.EJE CENTRI.Y BOMBA 608.Z.C3 0/000.960.9108 (u. 1)	
19	SOPORTE MOTOR ARRANQUE ELECTRICO EC 2015 EE80050GG-CBR-3 (u. 1)	
	SOPORTE MOTOR ARRANQUE ELECTRICO EC 2015 0/000.980.9111 (u. 1)	
20	KIT PIÑONES HELECOIDALES ARRANQUE ELECTRICO EC EE80116CT-CBR-1 (u. 1)	
21	COJINETE 61902-2ZC4 EE80070GG-CBR-1 (u. 1)	
22	SEEGER DIN-472-DIAM 28X1.2 EE80055GG-CBR-1 (u. 1)	
23	JUNTA TAPA BENDIX EC 2015 EE80135GG-CBR-1 (u. 1)	
24	AGUJA DIN5402-3 TIPO BF DIAM-3X9.8 PLANA EE80140GG-CBR-1 (u. 2)	
25	TORN.ESP.6X25(10.9) VALONA 11MM T0206025 (u. 3)	OBSOLETE
	TORN.ESP.6X25 DIN 6921 GEOMET 10.9 VALONA 11MM 0/000.460.9121 (u. 3)	
26	TORX M5X12PASO 0.8 CAB. ABOMBADA ARAND. 051208BB (u. 1)	
27	ADAPTADOR PULSADOR HIDRIA EC 2014 V2 EE70216GG-CAB-2 (u. 1)	
	ADAPTADOR PULSADOR HIDRIA EC 2014 V2 0/000.980.9109 (u. 1)	
28	JUNTA TAPA VOLANTE 0/000.490.9119 (u. 1)	
	JUNTA TAPA VOLANTE ME94500GG-CSK-1 (u. 1)	OBSOLETE
29	TUERCA+ARAN.M-6 (DIN 6923) ESTR. T2206000 (u. 1)	OBSOLETE
	TUERCA+ARAN.M-6 ESTR. DIN 6923 ZINC 8 0/000.340.9116 (u. 1)	

30	ARANDELA PLANA 6X12X1.5 DIN 125 ZINC 0/000.440.9124 (u. 1)	
	ARANDELA PLANA 6X12X1.5 (DIN 125) T4006012 (u. 1)	<b>OBSOLETE</b>
31	TAPA ARRANQUE ELECTRICO ENDURO 2018 0/000.220.9119 (u. 1)	
	TAPA ARRANQUE ELECTRICO ENDURO 2018 EE85100GG-CLJ-1 (u. 1)	
32	ALLEN 6x45 12.9 T0306045 (u. 1)	<b>OBSOLETE</b>
	ALLEN 6x45 DIN 912 ZINC 12.9 0/000.460.9149 (u. 1)	
33	ALLEN 6x40 12.9 (DIN 912) T0306040 (u. 1)	<b>OBSOLETE</b>
	ALLEN 6x40 DIN 912 ZINC 12.9 0/000.460.9148 (u. 1)	
34	TORN.ESP.6x50 Fil.20 DIN 6921 GEOMET 10.9 0/000.460.9126 (u. 1)	
	TORN.ESP.6x50 Fil.20 10.9 T0206050 (u. 1)	<b>OBSOLETE</b>
35	ESCOBILLAS MOTOR ARRANQUE EC EE80010GG-CBR-1 (u. 1)	

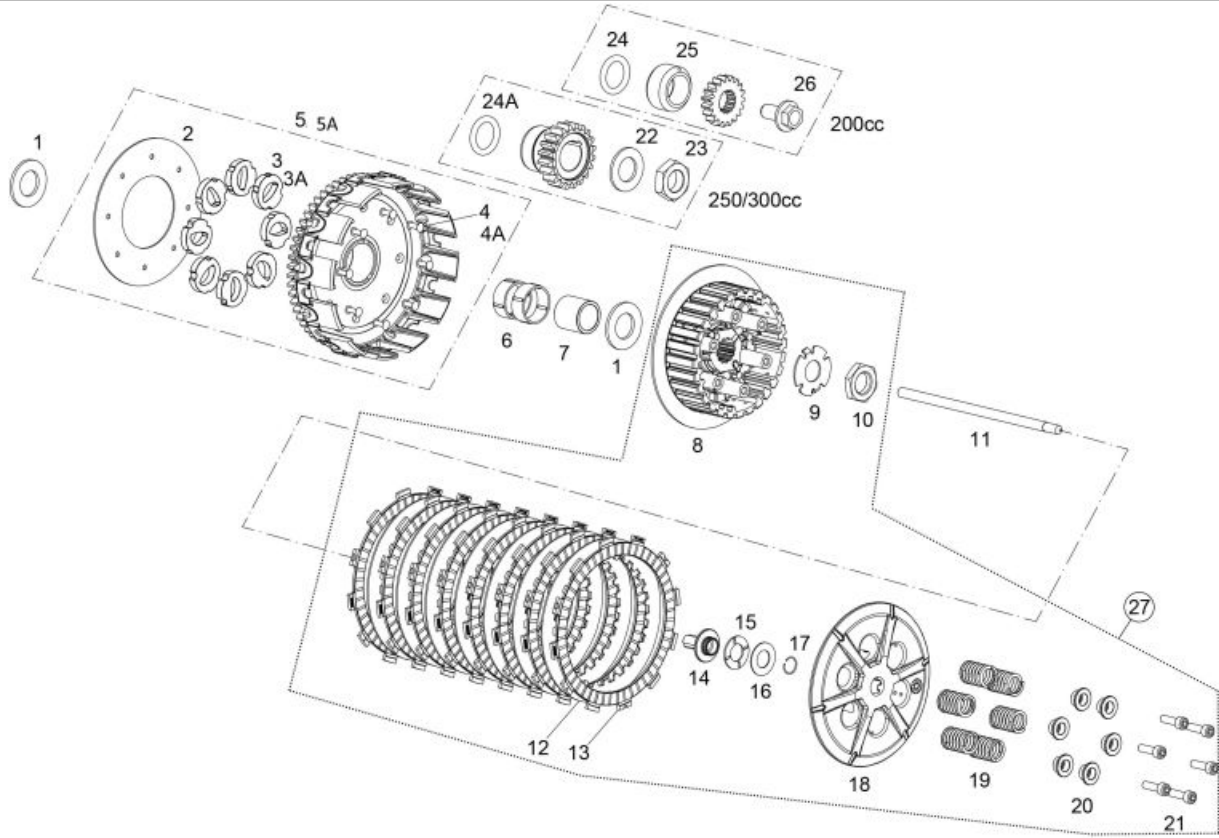
## Cigüeñal



1	CTO.CIGUEÑAL ENDURO 2018 ME30000CT-CLJ-1 (u. 1)	OBSOLETE
	CTO.CIGUEÑAL ENDURO 2018 0/005.380.9100 (u. 1)	
2	ROD.RV.18X22X21,8 S PIE DE BIELA ME25616035 (u. 1)	
3	CTO.BIELA ENDURO ME25612100 (u. 1)	
4	RETEN LADO IZ.CIG.TCJ 20x35x6/6.5 ME250112009 (u. 1)	OBSOLETE
	RETEN LADO IZ.CIG.TCJ 20x35x6/6.5 0/000.890.9103 (u. 1)	
5	COJINETE CIGUEÑAL IZQUIERDO 6206- TN9/C4 (ABIERTO) ME31010GG-CLJ-1 (u. 1)	OBSOLETE
	COJINETE CIGUEÑAL IZQUIERDO 6206- TN9/C4 (ABIERTO) 0/000.960.9115 (u. 1)	
6	CHAVETA 3x3.7 D.10 DIN 6888 0/005.490.9102 (u. 1)	OBSOLETE
	CHAVETA 3x3.7xD10 TRIAL 2002 MT280234016 (u. 1)	
7	CHAVETA LADO EMBR.(DIAM 16X5X6.5) DIN 6888 0/005.490.9100 (u. 1)	OBSOLETE
	CHAVETA LADO EMBR.(DIAM 16X5X6.5) DIN 68 ME31030GG-CAB-1 (u. 1)	
8	COJINETE CIGUEÑAL DERECHO 63/28-HN3/C3 GXN (ABIERTO) ME31015GG-CLJ-1 (u. 1)	OBSOLETE
	COJINETE CIGUEÑAL DERECHO 63/28-HN3/C3 GXN (ABIERTO) 0/000.960.9116 (u. 1)	

9	RETEN DCH.O.CIGUEÑAL TB2J 38-52 7 ME250112008 (u. 1)	OBSOLETE
	RETEN DCH.O.CIGUEÑAL TB2J 38-52 7 0/000.890.9102 (u. 1)	

**Embrague**

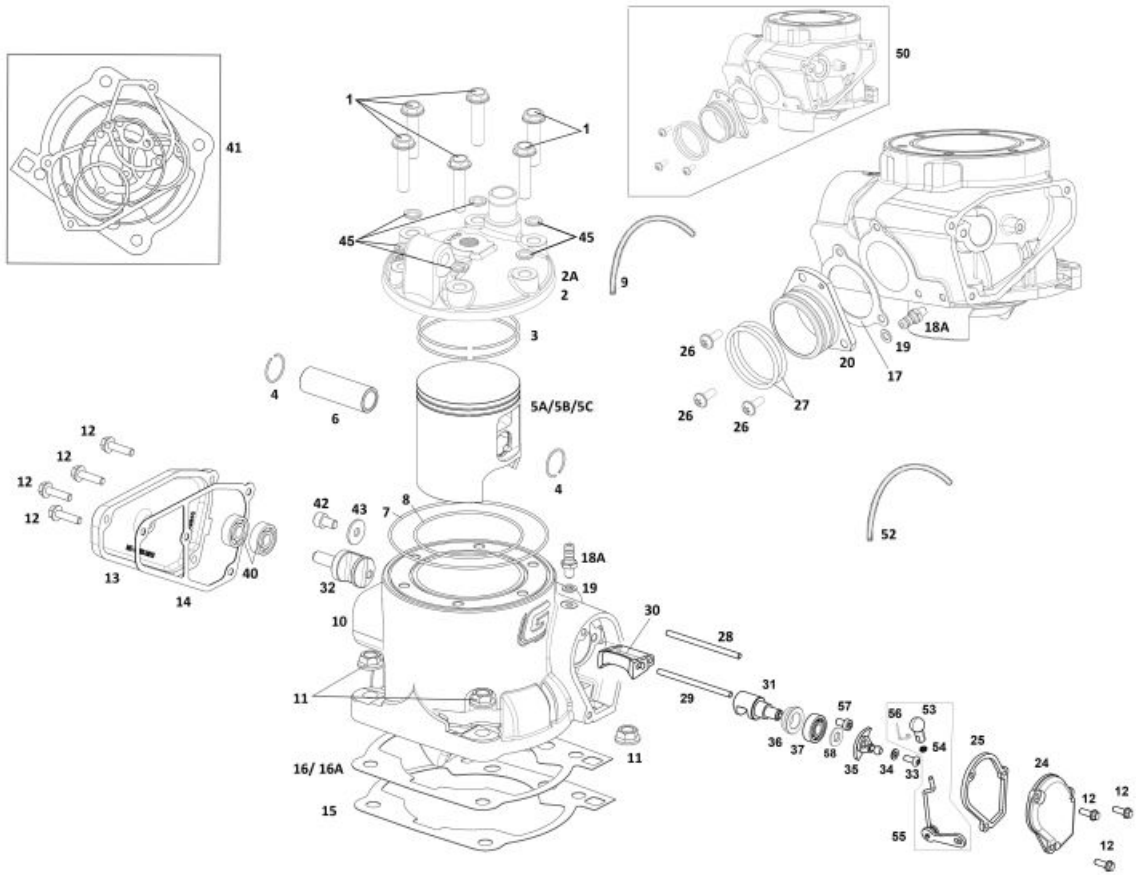


1	ARAN.CAMPANA EMBRAG.22.1X42X2.8 ME25632011 (u. 2)	<b>OBSOLETE</b>
	ARAN.CAMPANA EMBRAG.22.1X42X2.8 0/000.440.9106 (u. 2)	
2	ARANDELA CORONA EMBR. ME20932009 (u. 1)	
3	GOMA SILENBLOC C4015/115 EMBR.3376 ME20932008 (u. 8)	
4	REMACHE CAMPANA EMBR. ME250132010 (u. 8)	
5	CTO.CORONA EMBR.ENDURO 250-300 2014 ME21000CT-CAB-1 (u. 1)	<b>OBSOLETE</b>
	CTO.CORONA-PIÑON EMBR.ENDURO 250-300 2014 0/005.400.9104 (u. 1)	
6	COJI.CAMP.EMB.K28X33X13FV-M1 M3 0/000.980.9113 (u. 2)	
	COJI.CAMP.EMB.K28X33X13FV-M1 M3 ME25632029 (u. 2)	<b>OBSOLETE</b>
7	CASQ.CAMPANA EMBR. 0/000.480.9121 (u. 1)	
	CASQ.CAMPANA EMBR. ME25632012 (u. 1)	<b>OBSOLETE</b>
8	CUBO EMBRAGUE ENDURO 2018 ME22005GG-CLJ-1 (u. 1)	
9	ARANDELA PRECINTO CORONA EMBRAGUE ENDURO 2018 ME21120GG-CLJ-1 (u. 1)	<b>OBSOLETE</b>
	ARANDELA PRECINTO CORONA EMBRAGUE ENDURO 2018 0/000.440.9104 (u. 1)	

10	TUERCA FIJ.CUBO EMB. 0/000.340.9107 (u. 1)	
	TUERCA FIJ.CUBO EMB. ME25632028 (u. 1)	OBSOLETE
11	VARILLA EMBR. 0/000.190.9105 (u. 1)	
	VARILLA EMBR. ME25632040 (u. 1)	OBSOLETE
12	DISCOS EMBRAGUE HIERRO ME22105GG-CLJ-1 (u. 7)	
13	DISCOS EMB.FORRADO 7138 ME25632007 (u. 8)	
14	CASQ.PREMSA EMBR.EC 2014 (CLUTCH PIN) ME23100GG-CAB-1 (u. 1)	OBSOLETE
	CASQ.PREMSA EMBR.EC 2014 (CLUTCH PIN) 0/000.480.9120 (u. 1)	
15	JAULA AGUJA VALV.ESCAPE AXK 1528 0/000.960.9109 (u. 1)	
	JAULA AGUJA VALV.ESCAPE AXK 1528 ME25632046 (u. 1)	OBSOLETE
16	PLACA AGUJA ROD.BOLET Y VAL.ESCAPE AS 15 ME25632016 (u. 1)	OBSOLETE
	PLACA AGUJA ROD.BOLET Y VAL.ESCAPE AS 15 0/000.440.9107 (u. 1)	
17	ANILLO PREMSA EMBR. DIN7993 Ø14X1 0/000.300.9102 (u. 1)	
	ANILLO PREMSA EMBR.2014 (DIN7993 Ø14X1) ME23150GG-CAB-1 (u. 1)	OBSOLETE
18	PREMSA PLATO ENDURO 2018 ME23000GG-CLJ-1 (u. 1)	
19	MUELLE EMBRAGUE EC-2018 ME22025GG-CLJ-1 (u. 6)	
20	CASQ.MUELLE EMBR. EC-2018 ME22020GG-CLJ-1 (u. 6)	
21	ALLEN 6X25 TA.EMB,CART,SUSP.12.9 T0306025 (u. 6)	
22	ARANDELA DIN 125 PULIDA D-20 ZINC 40-42HRC 0/000.440.9108 (u. 1)	
	ARAN.BISEL.D.20 / 125-B-M 5.6 PULIDA PIÑ ME25632019 (u. 1)	OBSOLETE
23	TUERCA BLOCAJE PIÑON CIGUEÑAL EC-2000 0/000.340.9106 (u. 1)	
	TUERCA BLOCAJE PIÑON CIGUEÑAL EC-2000 ME250032018 (u. 1)	OBSOLETE
24	TORICA PIÑON PRIM.EMBR.(Ø23*5 NBR) ME21180GG-CAB-1 (u. 1)	OBSOLETE
	JUNTA TORICA 20X1 ST950207 (u. 1) - 200cc	
	TORICA PIÑON PRIM.EMBR.(Ø23*5 NBR) 0/000.490.9106 (u. 1)	
25	CASQ.CIGUEÑAL 25X38X20 ME200512014 (u. 1)	OBSOLETE
	CASQ.CIGUEÑAL 25X38X20 0/000.480.9127 (u. 1)	

26	TORN.ESP.12X25X1.25 FIL.20 12.9 GEOMET 0/000.460.9114 (u. 1)	
	TORN.ESP.12X25X1.25 FIL.20 12.9 T02012025 (u. 1)	<b>OBSOLETE</b>
27	CTO.CUBO EMBR.ENDURO 2018 0/005.350.9100 (u. 1)	
	CTO.CUBO EMBR.ENDURO 2018 ME22005CT-CLJ-1 (u. 1)	<b>OBSOLETE</b>

**Cilindro**



1	<p>TORN.EXAG.+ARAND 8X35 T0208035 (u. 6)</p> <p>TORN.EXAG.+ARAND 8X35 DELTA PROTEK 10.9 0/000.460.9130 (u. 6)</p>	OBSOLETE
2	<p>CULATA EC/XC 300 0/005.770.9100 (u. 1)</p> <p>CULATA EC/XC 300 ME75000GG-CSK-1 (u. 1)</p> <p>CULATA ENDURO 250 2018 0/005.770.9101 (u. 1)</p> <p>CULATA ENDURO 250 2018 ME75000GG-CLK-1 (u. 1)</p>	OBSOLETE
3	<p>JUEGO AROS PISTON TT 250 ME25616040 (u. 1) - 250cc</p> <p>JUEGO AROS PISTON TT-300 2835CD ME30916040 (u. 1) - 300cc</p>	
4	<p>JUEGO CLIP BULON TT 250 ME25616126 (u. 2)</p>	
5C	<p>PISTON 300CC C ME30916122R (u. 1) - 300cc</p> <p>PISTON 66.35 250 ENDURO C ME25616122R (u. 1) - 250cc</p>	
5B	<p>PISTON TT 300 71.95 B ME300416121 (u. 1) - 300cc</p> <p>PISTON 250 ENDURO B ME25616121R (u. 1) - 250cc</p>	

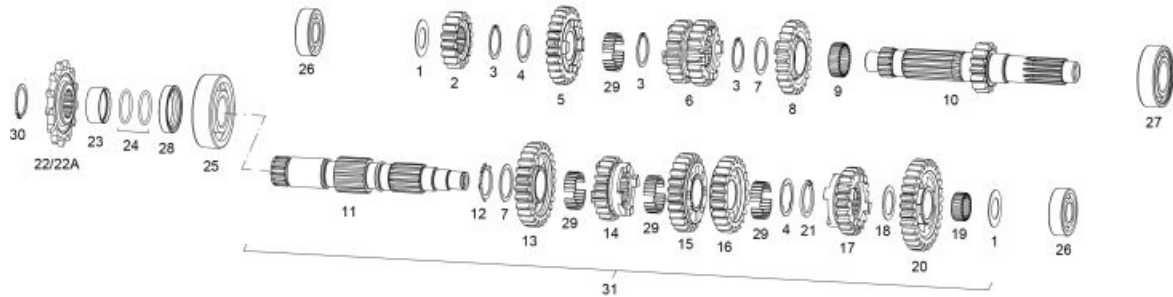


5A	PISTON TT 300 EC-2004 ME300416020 (u. 1) - 300cc	
	PISTON TT 250 66.33 NOIR ME25616020R (u. 1) - 250cc	
6	BULON PISTON TT 250 ME25616125 (u. 1)	
7	TORICA CULATA EXT.107.67x1.78 ME25916060 (u. 1)	OBSOLETE
	TORICA CULATA EXT.107.67x1.78 0/000.490.9109 (u. 1)	
8	TORICA CULATA INTER.75.92X1.78 VITON 0/000.490.9111 (u. 1)	
	TORICA CULATA INTER.75.92X1.78 VITON ME30916065 (u. 1)	OBSOLETE
	TORICA CULATA INT.VITON 72.7x1.78 ME25916065 (u. 1)	OBSOLETE
	TORICA CULATA INT.VITON 72.7x1.78 0/000.490.9110 (u. 1)	
9	TUBO DESV.CARTER (55 cm.) ME25610022 (u. 1)	
9A	CTO.TUBO DESVAPORIZADOR BLOW BY ENDURO 2018 0/000.290.9106 (u. 1)	
	CTO.TUBO DESVAPORIZADOR BLOW BY ENDURO 2018 BE71155CT-CLJ-1 (u. 1)	OBSOLETE
10	CILINDRO ENDURO 300 2018 ME70000GG-CLJ-1 (u. 1) - 300cc	
	CTO.CILINDRO ENDURO 250 2018 ME70000GG-CLK-1 (u. 1) - 250cc	
11	TUERCA DIN 6923 ZINC 8.8 ESP.10/150 C13 0/000.340.9105 (u. 4)	
	TUERCA CIL.8.8 ESP.10/150 C13 =ME2561603 M01613001 (u. 4)	OBSOLETE
12	TORN.ESP.+ARAND.5x15 ZI T0205015 (u. 7)	OBSOLETE
	TORN.ESP.+ARAND.5x15 DIN 6921 GEOMET 10.9 0/000.460.9115 (u. 7)	
13	TAPA VALV.IZQ.EC 2013 0/000.350.9104 (u. 1)	
	TAPA VALV.IZQ.EC 2013 ME100033013 (u. 1)	OBSOLETE
14	JUNTA TAPA VAL.IZDA.EC 2013 0/000.490.9113 (u. 1)	
	JUNTA TAPA VAL.IZDA.EC 2013 ME440063013 (u. 1)	OBSOLETE
15	JUNTA CIL.0.15 ME25644010 (u. 1)	
16	JUNTA CILINDRO METALICA CON SILICONA ENDURO 2018 ME44000GG-CLJ-1 (u. 1)	OBSOLETE
	JUNTA CILINDRO 0,5 METALICA CON SILICONA ENDURO 2018 0/000.490.9112 (u. 1)	
16A	JUNTA CIL.0.3 ME25644009 (u. 1)	
17	JUNTA ESCAPE ME25644012 (u. 1)	

18A	DESVP.CARTER D.3=ME25610012 M01032001 (u. 2)	OBSOLETE
	DESVP.CARTER D.3=ME25610012 0/000.630.9105 (u. 2)	
19	ARANDELA FIBRA 6X10X1.5 0/000.440.9123 (u. 2)	OBSOLETE
	ARANDELA FIBRA 6X10X1.5 T4006010 (u. 2)	
20	TUBERA ESCAPE 2005 ME250516019 (u. 1)	
24	TAPA VALV.DCH.EC300 2014 0/000.350.9108 (u. 1)	OBSOLETE
	TAPA VALV.DCH.EC300 2014 ME72020GG-CAB-1 (u. 1)	
25	JUNTA TAPA VALV.DER.4mm 0/000.490.9117 (u. 1)	OBSOLETE
	JUNTA TAPA VALV.DER.4mm ME70055GG-CEQ-1 (u. 1)	
26	ULS TORX 6X14 DIN 7380-1 ZINCADO 10.9 T0566014 (u. 3)	
27	TORICA TUBERA ESCAPE 44X3 FP (viton) BE250526006 (u. 2)	
28	EJE VALV.ESCAP LARGO 93mm. ME25616027 (u. 1)	
29	EJE VALV.ESCAPE CORTO 83mm. ME25616017 (u. 1)	
30	VALVULA CENTRAL ENDURO 250 2018 ME72005GG-CLK-1 (u. 1)	
31	VALVULA DERECHA ENDURO 250 2018 ME72000GG-CLK-1 (u. 1)	
32	VALVULA IZQUIERDA ENDURO 250 2018 ME72010GG-CLK-1 (u. 1)	
33	ULS 5X10 BN13255 10.9 LAMINAS ZIN. T0505010 (u. 1)	
34	ARANDELA 5X12X1.5 T4005012 (u. 1)	OBSOLETE
	ARANDELA 5X12X1.5 DIN 125A ZINC 0/000.440.9121 (u. 1)	
35	CTO.PALANCA VALV.ESCAPE EC 2015 ME72320CT-CEQ-1 (u. 1)	OBSOLETE
	CTO.PALANCA VALV.ESCAPE EC 2015 0/000.640.9103 (u. 1)	
36	DIST.COJINETE VALV.ESCAPE ME25616036 (u. 1)	
37	RODAM.BOMBA AGUA 6000C3Z =M03313001 0/000.960.9107 (u. 1)	OBSOLETE
	RODAM.BOMBA AGUA 6000C3Z =M03313001 ME25610010 (u. 1)	
40	RODA.EJE CENTRI.Y BOMBA 608.Z.C3 0/000.960.9108 (u. 2)	OBSOLETE
	RODA.EJE CENTRI.Y BOMBA 608.Z.C3 ME25616032 (u. 2)	
41	KIT JUNTAS DE CIL.CULATA 300C.C. ME94620CT-CAB-1 (u. 1) - 300cc	
42	ALLEN 6X10 8.8 BOB. T0306010 (u. 2)	

43	ARANDELA 6X18X1.5 DIN 9021 ZINC 0/000.440.9126 (u. 1)	
	ARANDELA 6X18X1.5 (DIN 9021) T4006018 (u. 1)	OBSOLETE
44	ARANDELA PLANA 6X12X1.5 DIN 125 ZINC 0/000.440.9124 (u. 1)	
	ARANDELA PLANA 6X12X1.5 (DIN 125) T4006012 (u. 1)	OBSOLETE
45	ARANDELA COBRE 8.5x16x1.5 T4008516 (u. 6)	OBSOLETE
	ARANDELA COBRE 8.5x16x1.5 DIN 125 A ISO 7090 0/000.440.9130 (u. 6)	
50	CTO.CILINDRO ENDURO 250 2018 ME70000CT-CLK-1 (u. 1)	OBSOLETE
	CTO.CILINDRO ENDURO 300 2018 ME70000CT-CLJ-1 (u. 1)	OBSOLETE
	CTO.CILINDRO ENDURO 300 2018 0/005.190.9100 (u. 1)	
	CTO.CILINDRO ENDURO 250 2018 0/005.190.9101 (u. 1)	
51	ARANDELA COBRE 6X10X1.5 TORN.VAC.AGUA CI T4006008 (u. 2)	OBSOLETE
	ARANDELA COBRE 6X10X1.5 TORN.VAC.AGUA CI 0/000.440.9122 (u. 2)	
52a	CTO.TUBO DESVAPORIZADOR BLOW BY ENDURO 2018 BE71155CT-CLJ-1 (u. 1)	OBSOLETE
	CTO.TUBO DESVAPORIZADOR BLOW BY ENDURO 2018 0/000.290.9106 (u. 1)	
52	TUBO RESPIRADERO VALV.S EC-2009 BE733001209 (u. 1)	
53	CTO.VARILLA VALV.ESCAPE COMPLETO EC 2015 0/000.640.9104 (u. 1)	
	CTO.VARILLA VALV.ESCAPE COMPLETO EC 2015 ME72325CT-CEQ-1 (u. 1)	OBSOLETE
54	TUERCA M 3.5X0.6 T2503006 (u. 1)	OBSOLETE
55	CTO.VARILLA VALV.ESCAPE COMPLETO EC 2015 ME72325CT-CEQ-1 (u. 1)	OBSOLETE
	CTO.VARILLA VALV.ESCAPE COMPLETO EC 2015 0/000.640.9104 (u. 1)	
56	CLIP DE SEGURIDAD ROTULA 0/000.840.9103 (u. 1)	
	CLIP DE SEGURIDAD ROTULA ME72326GG-CEQ-1 (u. 1)	OBSOLETE
58	CASQUILLO SEPARADOR COJINETE VALV.ESCAPE ME71100GG-CEQ-1 (u. 1)	OBSOLETE
	CASQUILLO SEPARADOR COJINETE VALV.ESCAPE 0/000.480.9124 (u. 1)	

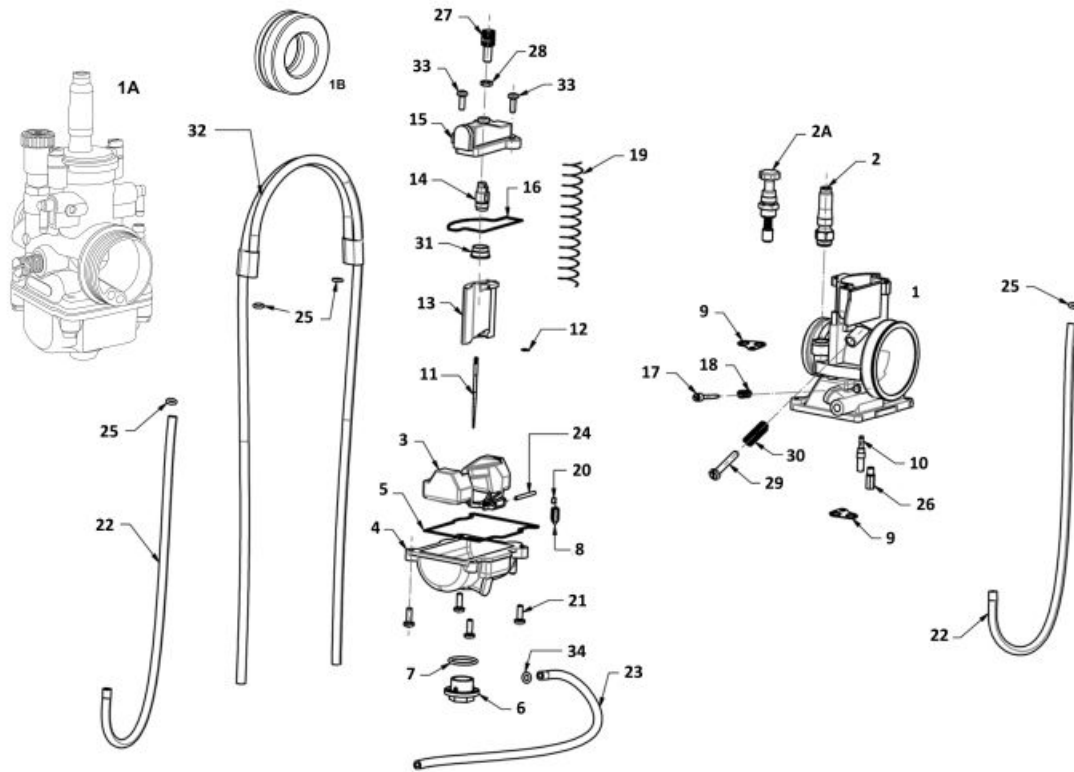
## Cambio



1	ARANDELA 18X31.5X0.7 CAMBIO ME25636014 (u. 2)	
2	PIÑÓN PRIMARIO II Z-16 ME25636071 (u. 1)	
3	CIRCLIP D.25 DIN 471 0/000.300.9107 (u. 3) CIRCLIP D.25 DIN 471 ME25936084 (u. 3)	
4	ARANDELA 31.5X(25X22)X1 SEC.3-4 ESTR.CAM ME25636091 (u. 2)	
5	PIÑÓN PRIMARIO VI Z-24 ME25636074 (u. 1)	
6	PIÑÓN PRIMARIO III Y IV ME25636072 (u. 1)	
7	ARANDELA 25.2X31.5X1 CAMBIO ME25636017 (u. 2)	
8	PIÑÓN PRIMARIO V Z-23 ME25636073 (u. 1)	
9	COJINETE AGUJAS K25-29-10 M02616000 (u. 1) COJINETE AGUJAS K25-29-10 0/000.960.9104 (u. 1)	<b>OBSOLETE</b>
10	EJE PRIMARIO EC 250-2002 ME250236070 (u. 1)	
11	EJE SECUNDARIO EC 08 ME410002508 (u. 1)	
12	CIRCLIP D.25 DIN 983 =25049255 ME25636095 (u. 1)	
13	PIÑÓN SECUNDARIO II 7-26 ME250136077 (u. 1)	
14	PIÑÓN SECUNDARIO VI Z-19 ME250136081 (u. 1)	
15	PIÑÓN SECUNDARIO III Z-24 ME25636078 (u. 1)	
16	PIÑÓN SECUNDARIO IV Z-22 ME25636079 (u. 1)	
17	PIÑÓN SECUNDARIO V Z-21 ME25636080 (u. 1)	

18	ARANDELA 20.8X29X1 CAMBIO ME25636016 (u. 1)	
19	RODA.AGUJ.K20X24X10 0/000.960.9114 (u. 1)	
	RODA.AGUJ.K20X24X10 ME25636059 (u. 1)	OBSOLETE
20	PIÑON SECUNDARIO I Z-29 ME25636076 (u. 1)	
21	CIRCLIP D.25 DIN 471 REBAIXAD D.2 SE03025200009 (u. 1)	
22	PIÑON SALIDA TG421X13T ME25636025 (u. 1)	OBSOLETE
	PIÑON SALIDA TG421X13T 0/005.400.9112 (u. 1)	
22A	PIÑON SALIDA TG421X12T MF25836025 (u. 1)	OBSOLETE
	PIÑON SALIDA TG421X12T 0/005.400.9113 (u. 1)	
23	DOLLA RETEN SALIDA CAMBIO 0/000.260.9100 (u. 1)	
	DOLLA RETEN SALIDA CAMBIO ME25636046 (u. 1)	OBSOLETE
24	TORICA 25 X 2 NBR PIÑ SAL. 0/000.490.9107 (u. 2)	
	TORICA 25 X 2 NBR PIÑ SAL. ME25632025 (u. 2)	OBSOLETE
25	RODAM.CAMBIO 6305 C3 ME25636058 (u. 1)	OBSOLETE
	RODAM.CAMBIO 6305 C3 0/000.960.9113 (u. 1)	
26	RODAM.CAMBIO 6203C3 0/000.960.9112 (u. 2)	
	RODAM.CAMBIO 6203C3 ME25636057 (u. 2)	OBSOLETE
27	RODAM.CAMBIO 6205-RSH/C3 0/000.960.9106 (u. 1)	
	RODAM.CAMBIO 6205-RSH/C3 ME250136056 (u. 1)	OBSOLETE
28	RETEN 30X40X7 DOBLE LABIO.PIÑ.SAL. 0/000.890.9106 (u. 1)	
	RETEN 30X40X7 DOBLE LABIO.PIÑ.SAL. ME25636024 (u. 1)	OBSOLETE
29	JAULA AGUJAS KD22x25x9.8 GRUPO CAMBIO ME250236102 (u. 4)	OBSOLETE
	JAULA AGUJAS KD22x25x9.8 GRUPO CAMBIO 0/005.150.9101 (u. 4)	
30	CIRCLIP D.25 DIN 471 ME25936084 (u. 1)	OBSOLETE
	CIRCLIP D.25 DIN 471 0/000.300.9107 (u. 1)	
31	CTO. CAMBIO MARCHAS ME40000CT-CSK-1 (u. 1)	OBSOLETE
	CTO. CAMBIO MARCHAS 0/005.400.9107 (u. 1)	

**Carburador**



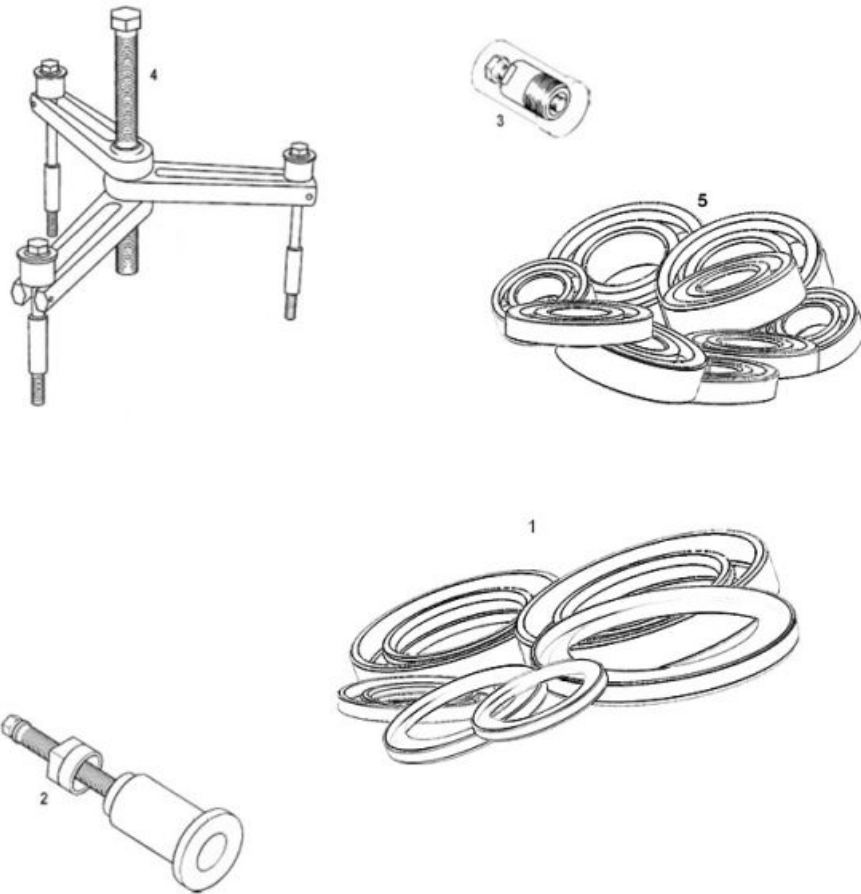
1	CARBURADOR KEIHIN PWK 38 MANDO STARTER 10FK-A73Z-00A0_ BE78000GG-CSK-1 (u. 1) CARBURADOR KEIHIN PWK 38 MANDO STARTER 10FK-A73Z-00A0_ 0/005.155.9100 (u. 1)	OBSOLETE
1A	CARBURADOR PHBG 21 DS ENDURO 73/33 CAMPANA 40 0/005.155.9103 (u. 1) CARBURADOR PHBG 21 DS ENDURO 73/33 CAMPANA 40 BE78000GG-EKF-1 (u. 1)	OBSOLETE
1B	ADAPTADOR CARBURADOR DELL ORTO ENDURO 2018 0/005.150.9102 (u. 1) ADAPTADOR CARBURADOR DELL ORTO ENDURO 2018 BE78100GG-CLJ-1 (u. 1)	OBSOLETE
2A	MANDO ESTARTER 1166-818-2101 ME25690011 (u. 1)	
2	PERILLA AHOGADOR ME25000173012 (u. 1)	
3	BOYA FLOTADOR 1052-856-2101 ME25000183012 (u. 1)	
4	CUBETA FLOTADOR 1050-898-2102 ME25000193012 (u. 1)	
5	JUNTA CUBETA FLOTADOR 1051-KZ40-0001 ME25000203012 (u. 1)	
6	TAP.CUBETA 1018-ND4-7511 ME25690015 (u. 1)	
7	TORICA TAP.CUBETA 16173-001-0040 ME25690016 (u. 1)	
8	AGUJA FLOTADOR 1062-814-2103 ME25000213012 (u. 1)	
9	SUJECIÓN TUBO RESPIRADERO 1531-KZ4H-690 ME25000223012 (u. 1)	

<b>10B</b>	CHICLE RALENTI 42 N424-21042 ME25690042 (u. 1)	
<b>10A</b>	CHICLE RALENTI 45 ME25690045 (u. 1)	
<b>11</b>	AGUJA KEIHIN N1EF ME250190429 (u. 1)	<b>OBSOLETE</b>
	AGUJA KEIHIN N1EF 0/005.150.9100 (u. 1)	
<b>11C</b>	AGUJA NOZH N427-OZH00 ME120690435 (u. 1)	
<b>11B</b>	AGUJA KEIHIN N1EG (N427-1EG00) ME250290428 (u. 1)	
<b>11A</b>	AGUJA KEIHIN N1EE (N427-1EE00) ME250290427 (u. 1)	
<b>12</b>	CLIP AGUJA 16115-169-0040 ME25690021 (u. 1)	
<b>13</b>	COMPUERTA N <sup>a</sup> 7 N502-66F00 0/005.150.9103 (u. 1)	
	COMPUERTA N <sup>s</sup> 7 N502-66F00 ME25000233012 (u. 1)	<b>OBSOLETE</b>
<b>14</b>	FIJADOR AGUJA-CABLE 1101-804-2001 ME25690023 (u. 1)	
<b>15</b>	TAP.COMPUERTA 1030-A92A-0000 ME25000243012 (u. 1)	
<b>16</b>	JUNTA TORICA TAP.COMPUERTA 1202-882-6000 ME25000253012 (u. 1)	
<b>17</b>	TORN.REGUL. ME25000263012 (u. 1)	
<b>18</b>	MUELLE TORN.REGUL.AIRE 1300-416H-9900 ME25000273012 (u. 1)	
<b>19</b>	MUELLE COMPUERTA 1290-A53-2000 ME25000283012 (u. 1)	
<b>20</b>	CLIP NIVEL FLOTADOR 0405-019-1000 ME25690027 (u. 1)	
<b>21</b>	TORN.CUBETA 93500-04014-1H ME25000293012 (u. 4)	
<b>22</b>	TUBO RESPIRADERO 0803-868-0000 ME25000303012 (u. 2)	
<b>23</b>	TUBO RESPIRADERO-2 0803-869-0000 ME25000313012 (u. 1)	
<b>24</b>	EJE FLOTADOR W9525-25250 ME25690033 (u. 1)	
<b>25</b>	CLIP TUBO RESPIRADERO W9535-35000 ME25690034 (u. 4)	
<b>26</b>	CHICLE ALTA 175 (99101-357-1750) ME25690175 (u. 1)	
<b>27</b>	TENSOR CABLE W9581-59250 ME25000323012 (u. 1)	
<b>28</b>	TUERCA TENSOR CABLE 1793-130H-9900 ME25000333012 (u. 1)	
<b>29</b>	TORN.REGUL.RALENTI 1034-853-2000 ME25690038 (u. 1)	
<b>30</b>	MUELLE TORN.REG.1290-963-2000 ME25690039 (u. 1)	
<b>31</b>	CASQ.MUELLE COMP.1118-929-7000 ME25690040 (u. 1)	

<b>32</b>	TUBO VENTILACIÒN 0803-862-0100 ME25000343012 (u. 1)
<b>33</b>	TORN.TAP.COMPUERTA ME25000353012 (u. 2)
<b>34</b>	CLIP TUBO RESPIRADERO-2 W9535-25000 ME25000363012 (u. 1)
<b>35</b>	CTO.TOPE MANDO DE GAS CARBURADOR 2006 ME250690010 (u. 1)



**Herramientas Motor**



1	KIT RETENES EC-250/300 2010 ME906002510 (u. 1)	
2	EXTRACTOR COJINETE CIGUEÑAL ME25950000 (u. 1)	<b>OBSOLETE</b>
3	EXTRACTOR VOL.MAG.N.TRIAL 2002 MT280234045 (u. 1)	
4	EXTRACTOR CARTER ME25950005 (u. 1)	<b>OBSOLETE</b>
5	KIT COJINETES MOTOR EC 250 300 2018 ME90500CT-CLJ-1 (u. 1)	