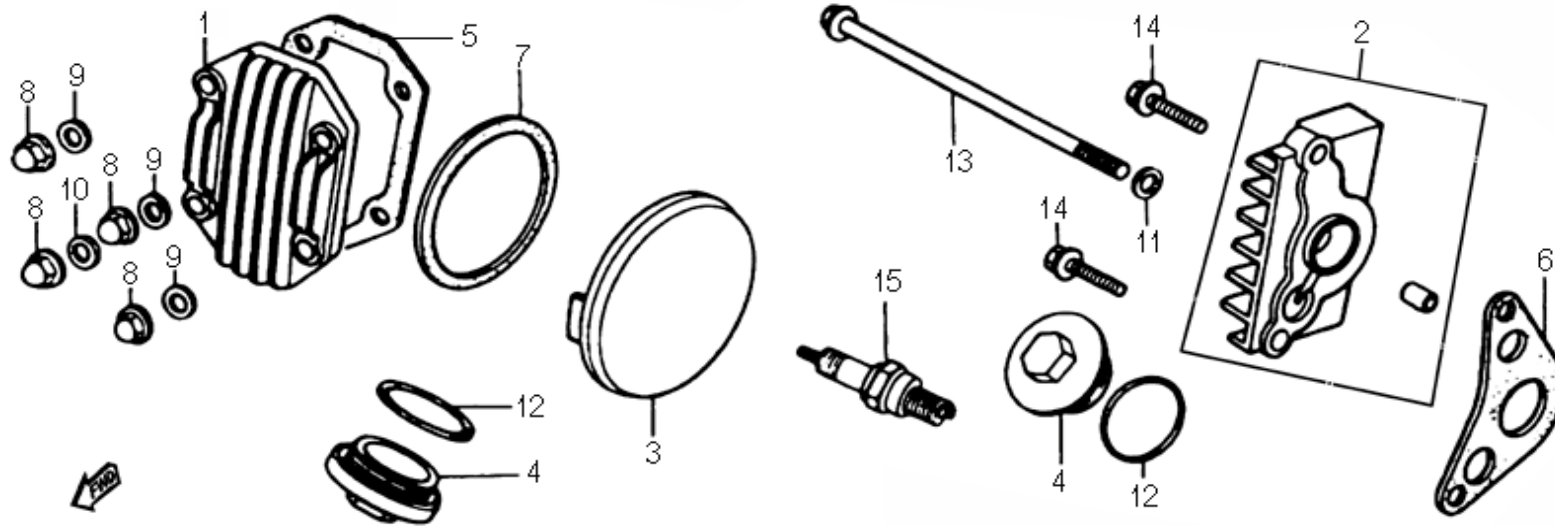


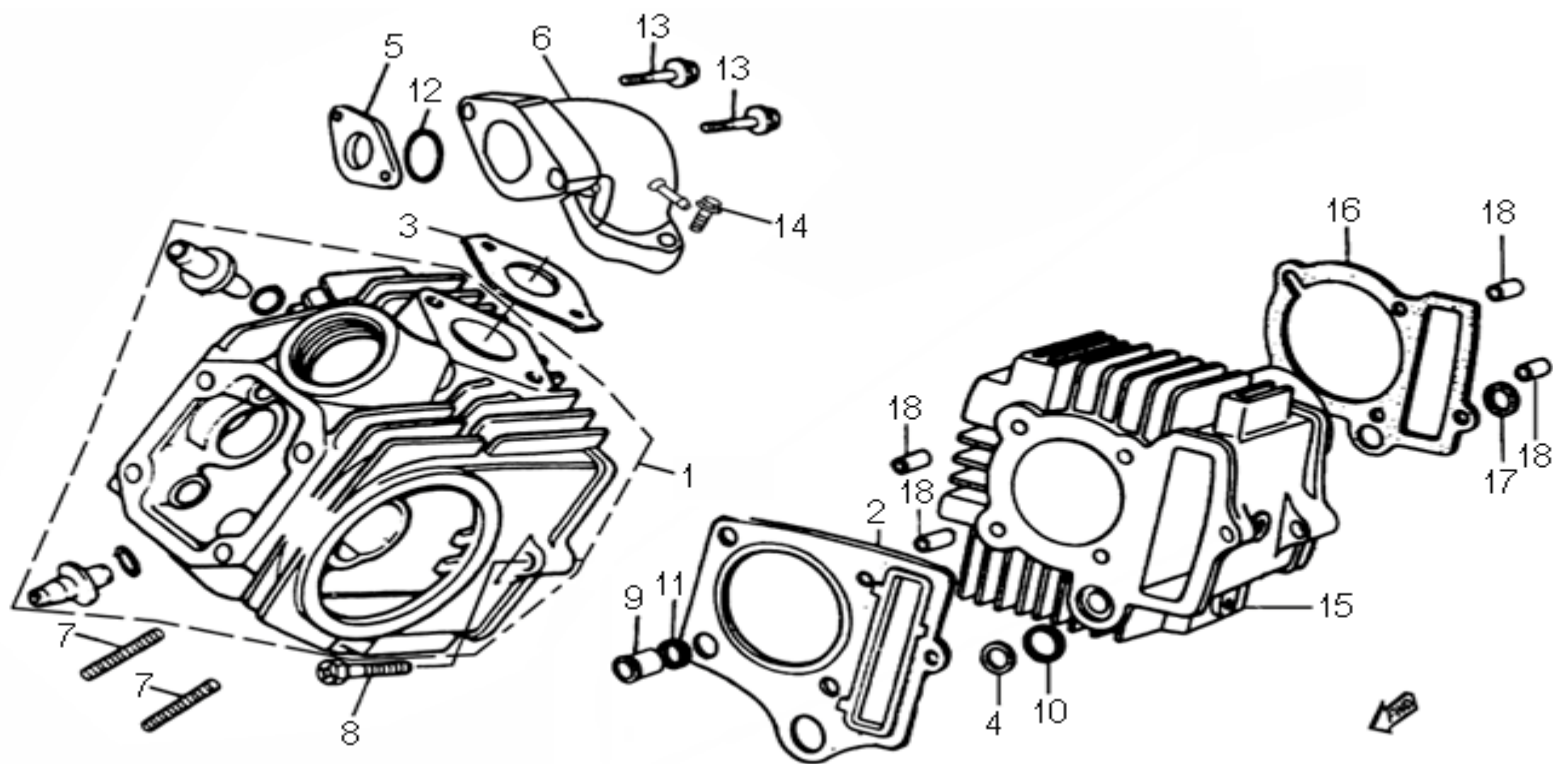
FIG.1 CYLINDER HEAD COVER



ATV110 PARTS CATALOG

REF.NO	PART NO.	DESCRIPTION	UNIDAD
1-1	102231	COVER, CYLINDER HEAD	1
1-2	102252	COVER, R. CYLINDER HEAD SIDE	1
1-3	102251	COVER, L. CYLINDER HEAD SIDE	1
1-4	102294	CAP, TAPPET ADJUSTING HOLE	2
1-5	102249	GASKET, CYLINDER HEAD COVER	1
1-6	102259	GASKET, R. CYLINDER HEAD COVER	1
1-7	102258	GASKET, L CYLINDER HEAD OVER	1
1-8	T15218-106000	NUT, CAP M6	4
1-9	T22134-061320	WASHER, SEALING $\Phi 6 \times 13 \times 2$	3
1-10	T21841-061320	WASHER A, SEALING $\Phi 6 \times 13 \times 2$	1
1-11	T21904-061212	WASHER, SEALING $\Phi 6 \times 12 \times 1.2$	1
1-12	T51110-320308	O-RING 30.8x3.2	2
1-13	T11217-006110	BOLT, FLANGE M6x110	1
1-14	5B0620-DL	BOLT, FLANGE M6x20	2
1-15	305300	PLUG, SPARK	1

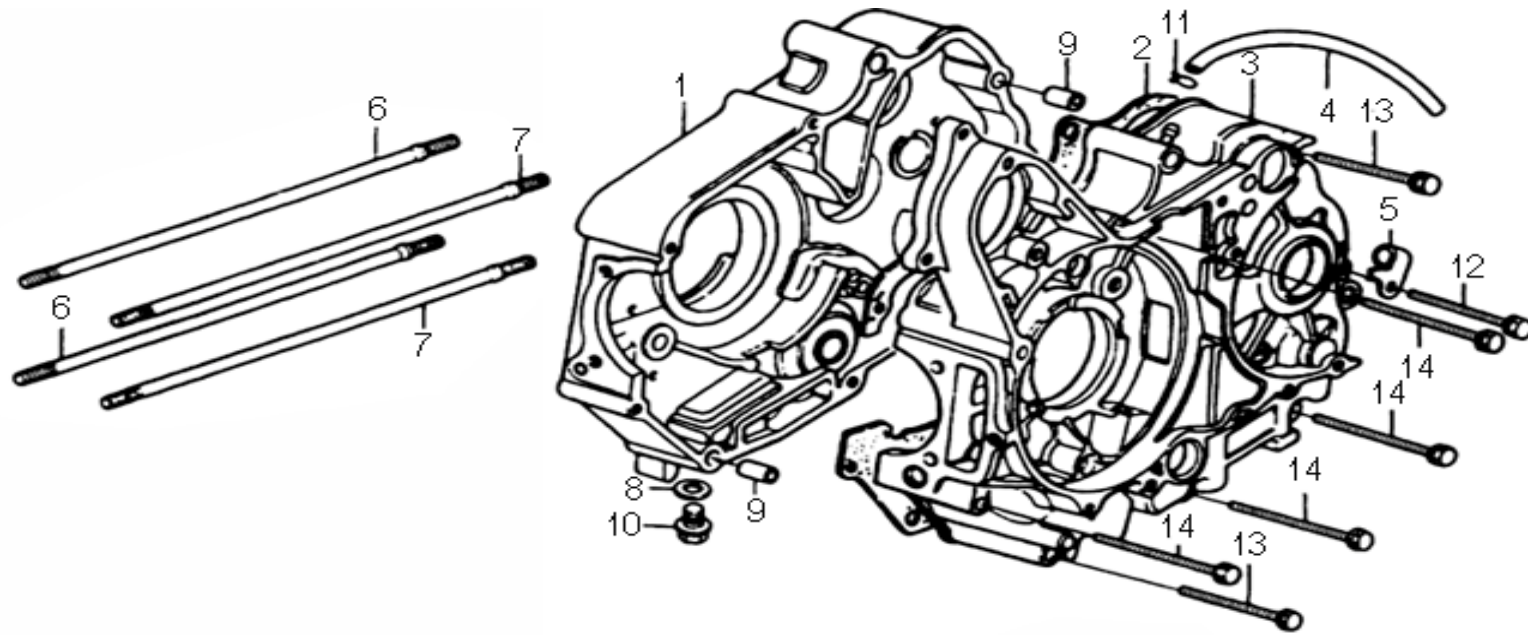
FIG.2 CYLINDER HEAD



ATV110 PARTS CATALOG

REF.NO	PART NO.	DESCRIPTION	UNIDAD
2-1	102210	HEAD COMP., CYLINDER	1
2-2	102299	GASKET, ASSY., CYLINDER HEAD	1
2-3	113614	GASKET, INSULATOR	1
2-4	102193	COLLAR, 11.5×14.8×1.8	1
2-5	113199	INSULTOR, CARBURETOR	1
2-6	113611	PIPE, IN	1
2-7	104393	BOLT, STUD M6×32	2
2-8	520623	BOLT, 6MM M6×23	2
2-9	102192	COLLAR 9.5MM	1
2-10	102194	O-RING 14.5×18.5×2.4	1
2-11	102159	O-RING 9×11.7×1.5	1
2-12	t51120-320308	GASKET, RUBBER 25×2.4	1
2-13	560625-DL	BOLT, FLANGE M6×25	2
2-14	560630-DL	BOLT, FLANGE M6×30	2
2-15	102110	CYLINDER	1
2-16	102199	GASKET, CYLINDER	1
2-17	102195	PACKING, RUBBER 11.5×15.7×2.4	1
2-18	T41100-008140	PIN, DOWL 8×14	4

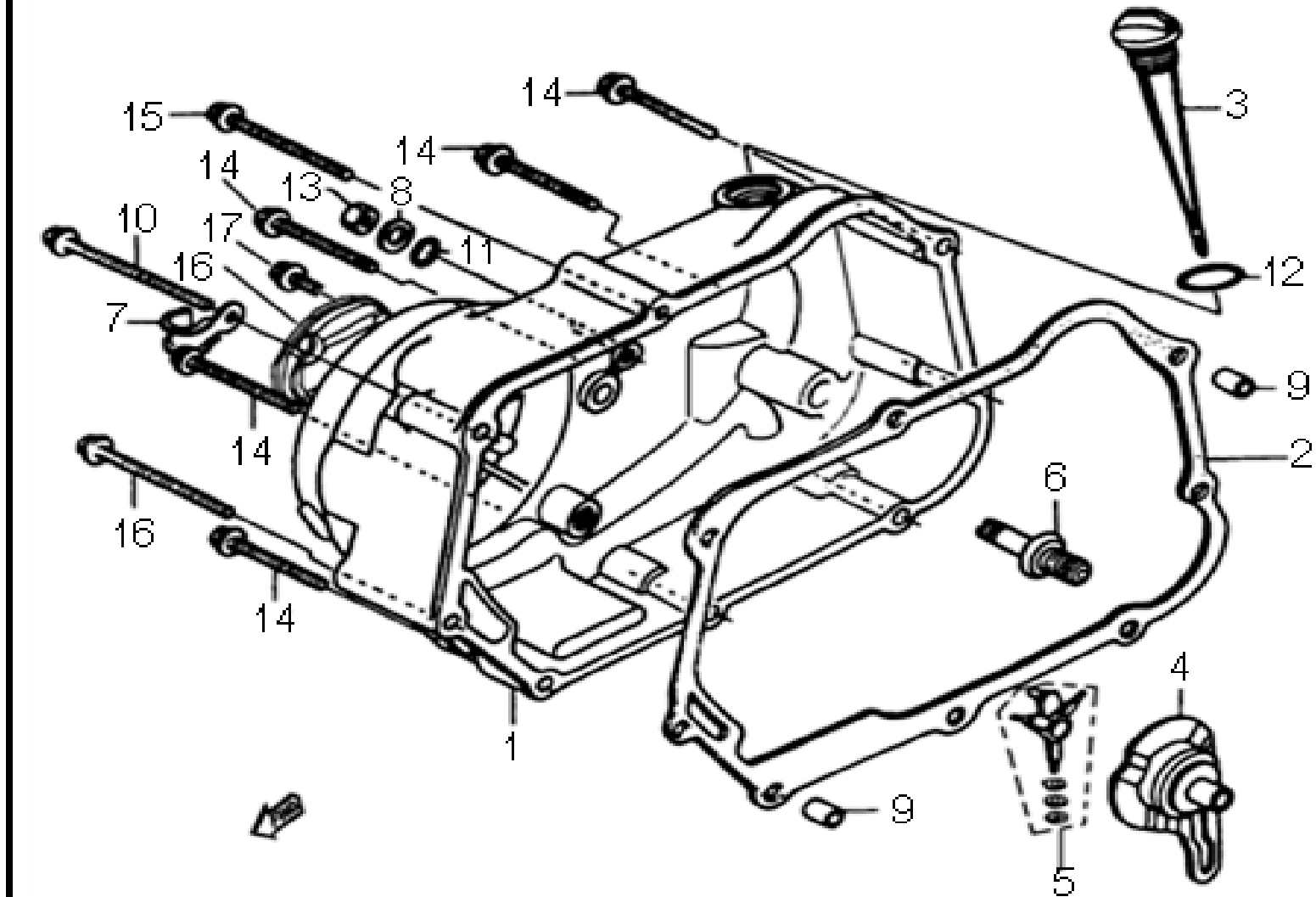
FIG.3 CRANKCASE



ATV110 PARTS CATALOG

REF.NO	PART NO.	DESCRIPTION	UNIDAD
3-1	101210	CRANKCASE COMP., R.	1
3-2	101199	GASKET, CRANKCASE	1
3-3	101110	CRANKCASE COMP., L.	1
3-4	105401	TUBE, BREATHER 5×320	1
3-5	101198	CLAMPER, OVER FLOW PIPE	1
3-6	101193	BOLT A, CYLINDER STUD 6×198	2
3-7	101194	BOLT B, CYLINDER STUD 6×205.5	2
3-8	T21904-122015	PACKING, DRAIN PLUG 2.5×20	1
3-9	T4100-010140	PIN A, KNOCK 10×14	2
3-10	105099	BOLT, DRAIN PLUG M12	1
3-11	105403	CLIP, TUBE	1
3-12	SB0650-DL	BOLT, FLANGE M6×50	1
3-13	SB0660-DL	BOLT, FLANGE M6×60	2
3-14	SB0665-DL	BOLT, FLANGE M6×65	4

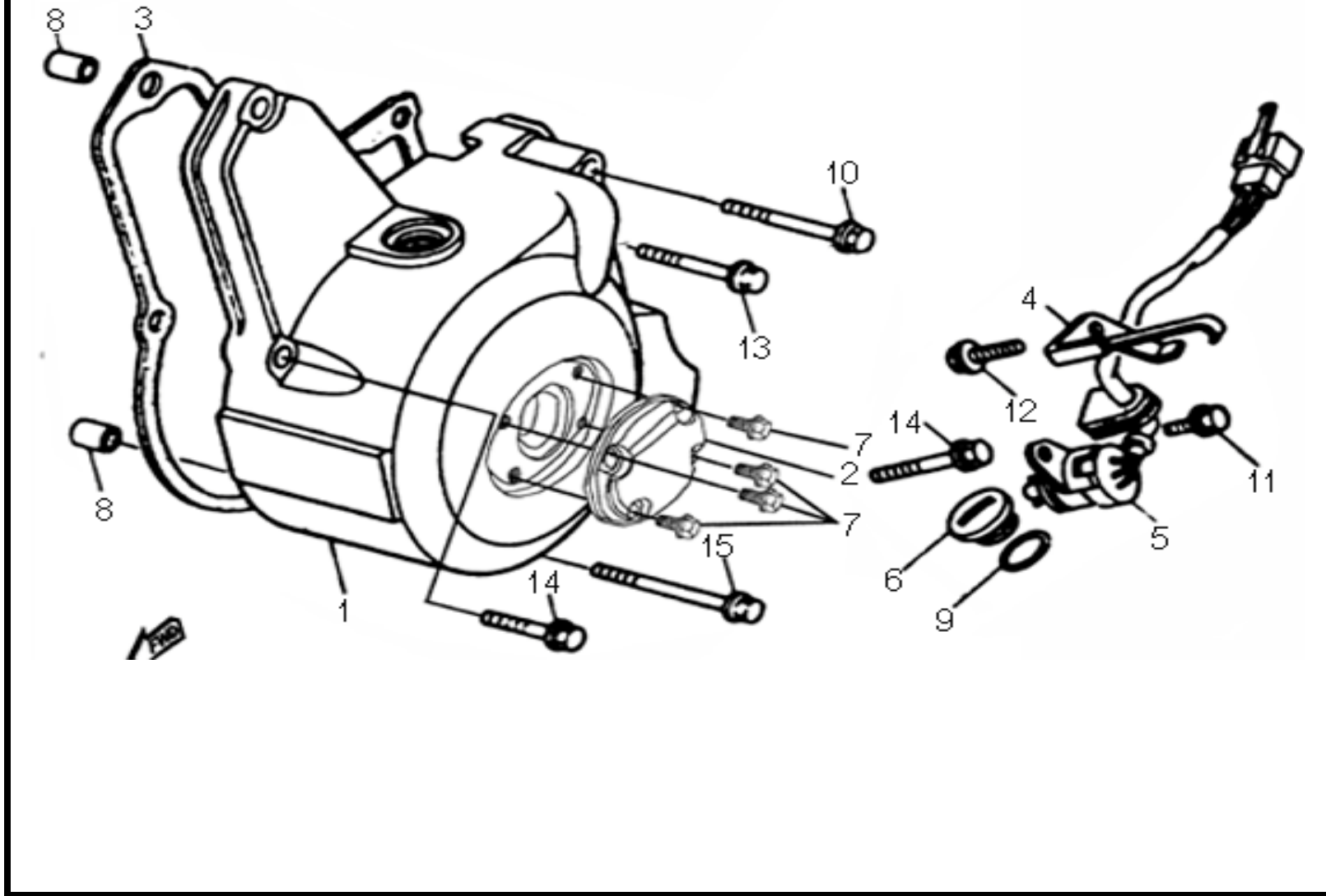
FIG. 4 RIGHT CRANKCASE COVER



ATV110 PARTS CATALOG
PART NO.

REF.NO	PART NO.	DESCRIPTION	UNIDAD
4-1	101411	COVER COMP., R. CRANKCASE	1
4-2	101499	GASKET, R. CRANKCASE COVER	1
4-3	105301	GAUGE, OIL LEVEL	1
4-4	106380	PLATE COMP., CLUTCH CAM	1
4-5	106370	BOSS COMP., CLUTCH LIFTER	1
4-6	106395	BOLT, CLUTCH ADJUSTING	1
4-7	101197	CLIP, DYNAMO CORD	1
4-8	T21001-081410	WASHER $\Phi 8 \times 14 \times 10$	1
4-9	T41100-008120	PIN, DOWEL 8x12	2
4-10	SB0680-DL	BOLT, FLANGE M6x80	2
4-11	T51120-180075	O-RING $\Phi 7.5 \times 1.8$	1
4-12	T51110-350180	O-RING $\Phi 18 \times 3.5$	1
4-13	M10800-DL	NUT, HEX M8	1
4-14	SB0640-DL	BOLT, FLANGE M6x40	5
4-15	SB0665-DL	BOLT, FLANGE M6x65	1
4-16	104412	BMBLEM, EWGING RIGHT COVER	1
4-17	SB0680-DL	BOLT M6x80	4

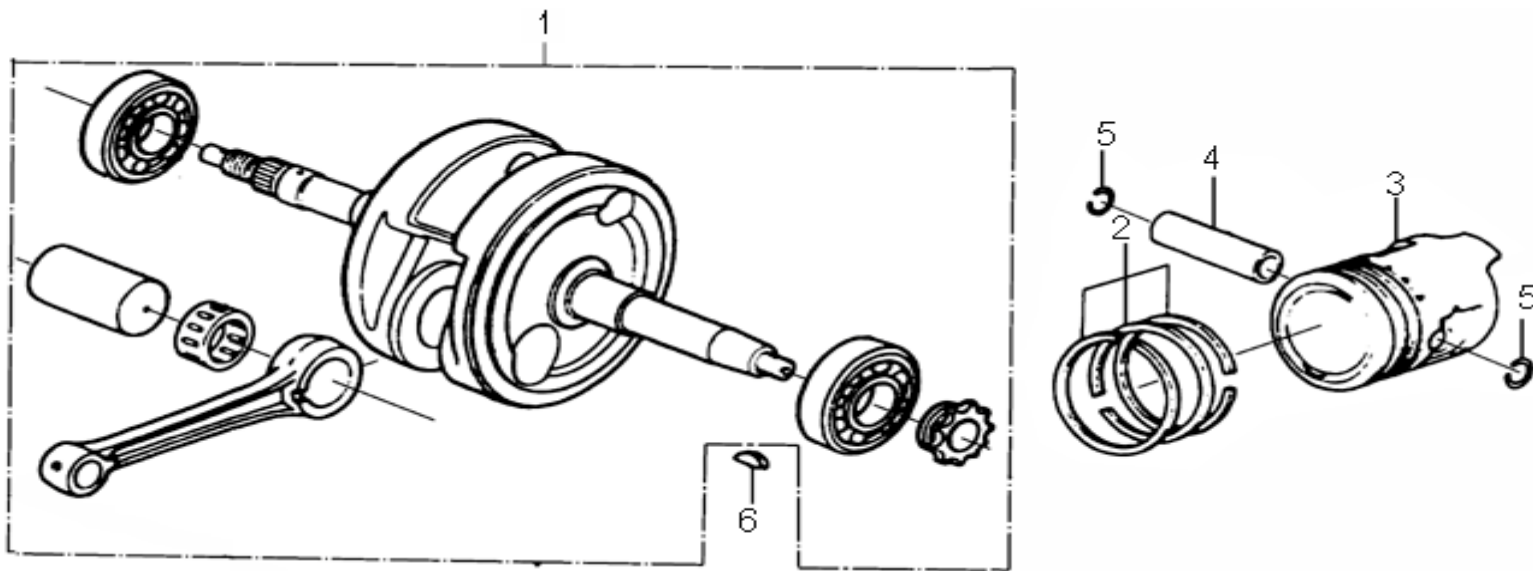
FIG. 5 LEFT CRANKCASE COVER



ATV110 PARTS CATALOG
PART NO.

REF.NO	PART NO.	DESCRIPTION	UNIDAD
5-1	101311	COVER, L. CRANKCASE	1
5-2	101312	EMBLEM, ENGING LEFT COVER	1
5-3	101329	GASKET, L. CRANKCASE COVER	1
5-4	101315	CLAMPER	1
5-5	372200	SWITCH COMP., CHANGE	1
5-6	101313	CAP, A.C. GENERATOR	1
5-7	sb0612-dl	BOLT M6×12	4
5-8	t41100-008720	PIN, DOWEL 8×12	2
5-9	t51120-250138	O-RING ϕ 13.8×2.5	1
5-10	sb0650-dl	BOLT, FLANGE M6×50	1
5-11	sb0612-dl	BOLT, FLANGE M6×12	1
5-12	sb0616-c2	BOLT, FLANGE M6×16	1
5-13	sb0628-dl	BOLT, FLANGE M6×28	1
5-14	sb0632-dl	BOLT, FLANGE M6×32	2
5-15	sb0670-dl	BOLT, FLANGE M6×70	1

FIG. 6 CRANKSHAFT PISTON



ATV110 PARTS CATALOG
PART NO.

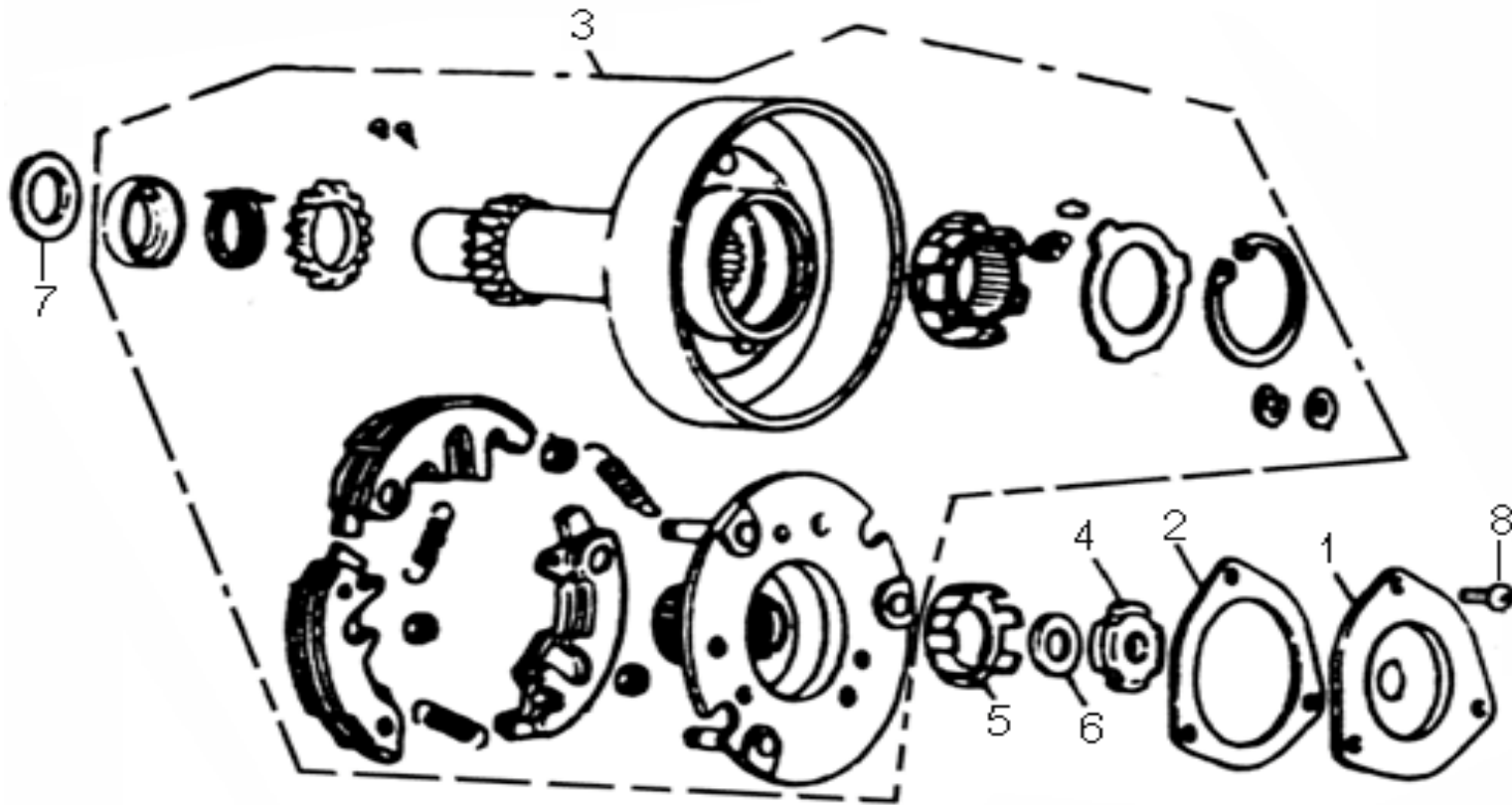
REF.NO

DESCRIPTION

UNIDAD

6-1	103200	CRANKSHAFT COMP.	1
6-2	103120	RING SET, PISTON	1
6-3	103101	PISTON	1
6-4	103111	PIN, PISTON	1
6-5	103115	CLIP, PISTON PIN 13MM	2
6-6	J00400	KEY, WOODRUFF 4MM	1

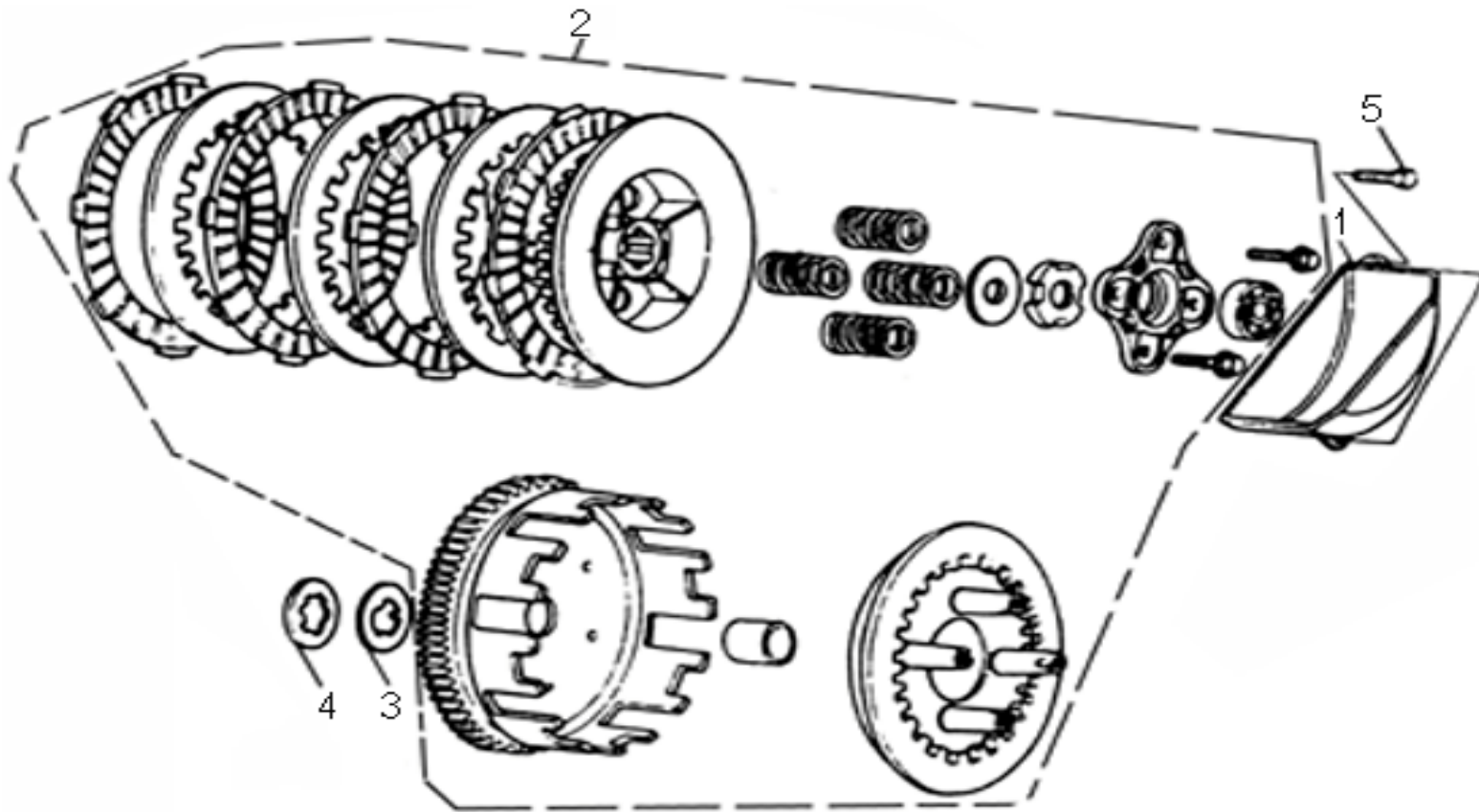
FIG. 7 ONEWAY CLUTCH



ATV110 PARTS CATALOG

REF.NO	PART NO.	DESCRIPTION	UNIDAD
7-1	106197	COVER, OIL FILTER	1
7-2	106199	GASKET, OIL FILTER	1
7-3	106100	OUTER COMP., PRIMARY CLUTCH	1
7-4	106196	NUT B, LOCK GEAR	3
7-5	106112	WASHER, LOCK	1
7-6	106116	WASHER B, LOCK	1
7-7	106198	WASHER, THRUST $\Phi 19 \times 28 \times 1.5$	1
7-8	D20508-CZ	SCREW, PAN M5 \times 8?	3

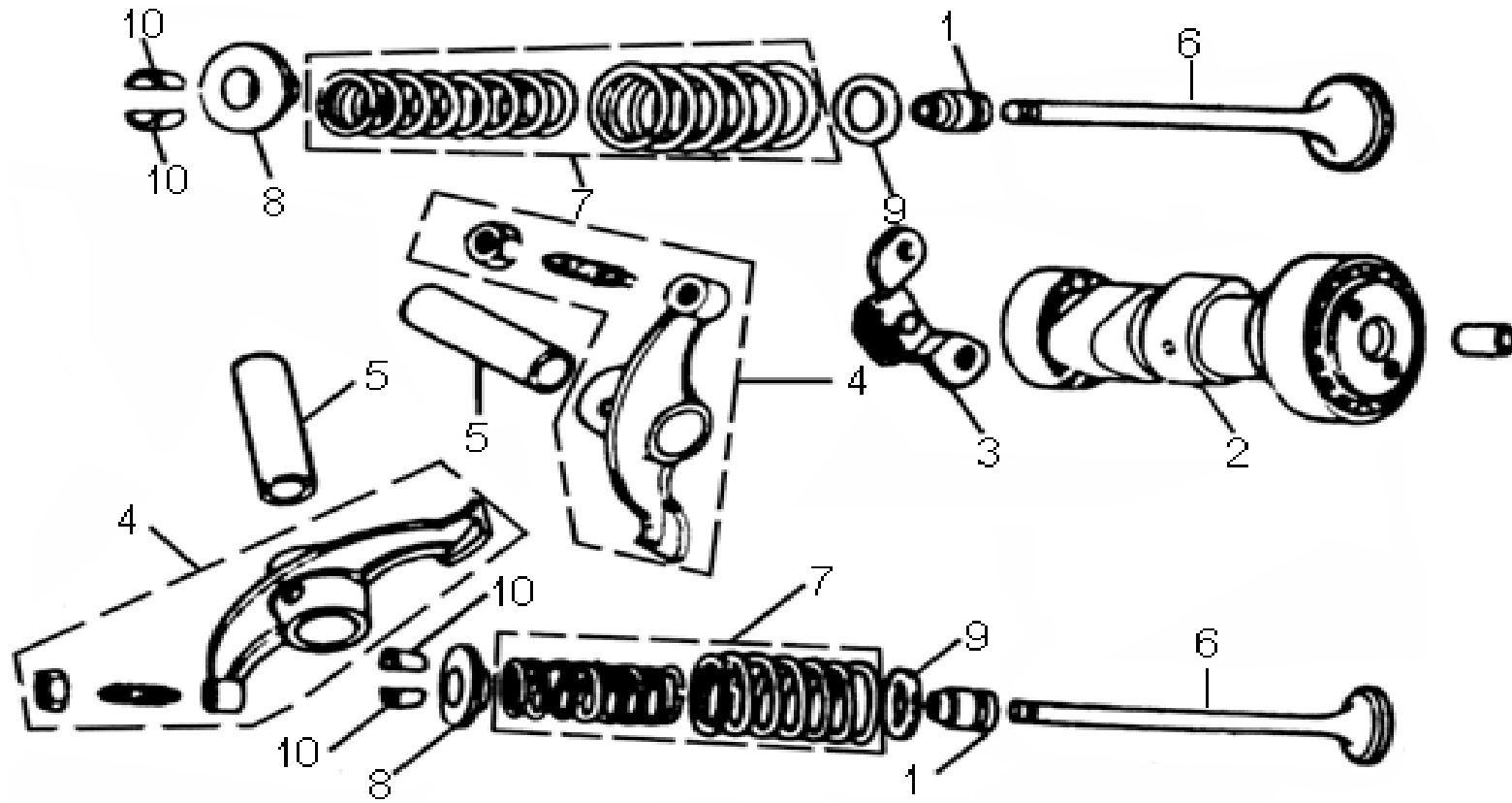
FIG. 8 CLUTCH



ATV110 PARTS CATALOG

REF.NO	PART NO.	DESCRIPTION	UNIDAD
8-1	106260	PLATE, OIL SEPARATOR	1
8-2	106000	CLUTCH COMP.	1
8-3	106253	SET RING 17	1
8-4	106245	WASHER B, SPLINE 17MM	1
8-5	S60620-BZ	BOLT, HEX M6×20	2

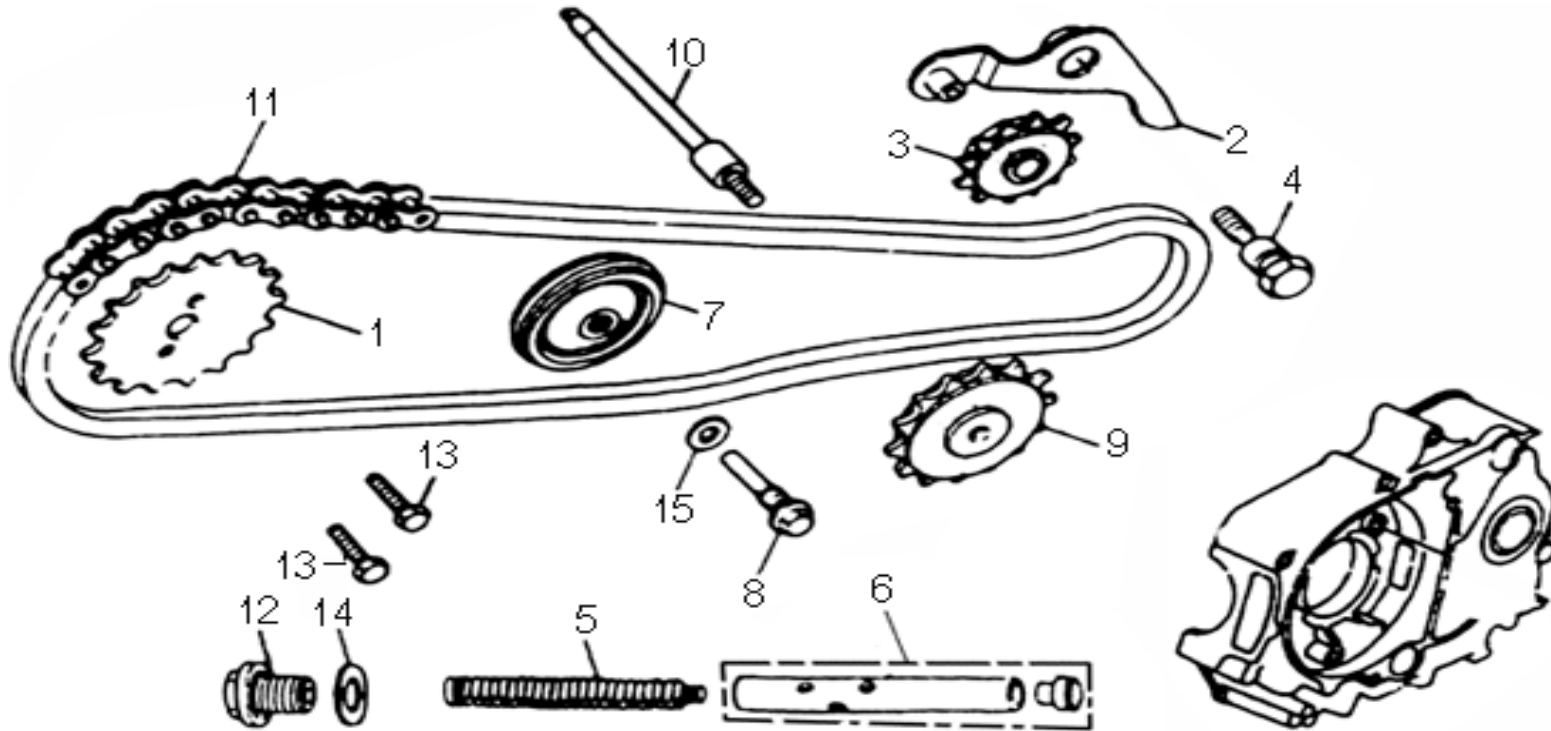
FIG.9 CAMSHAFT/VALVE



ATV110 PARTS CATALOG

REF.NO	PART NO.	DESCRIPTION	UNIDAD
9-1	104399	SEAL, VALVE STEM	2
9-2	104110	CAMSHAFT COMP.	1
9-3	102280	PLATE COMP., STOPPER	1
9-4	104411	ARM COMP., VALVE ROCKER	2
9-5	104427	SHAFT, VALVE ROCKER ARM	2
9-6	104310	VALVE COMP.	1
9-7	104320	SPRING COMP., VALVE	2
9-8	104395	RETAINER, VALVE SPRING	2
9-9	104396	SEAT, VALVE SPRING OUTER	2
9-10	104398	COTTER, VALVE	4

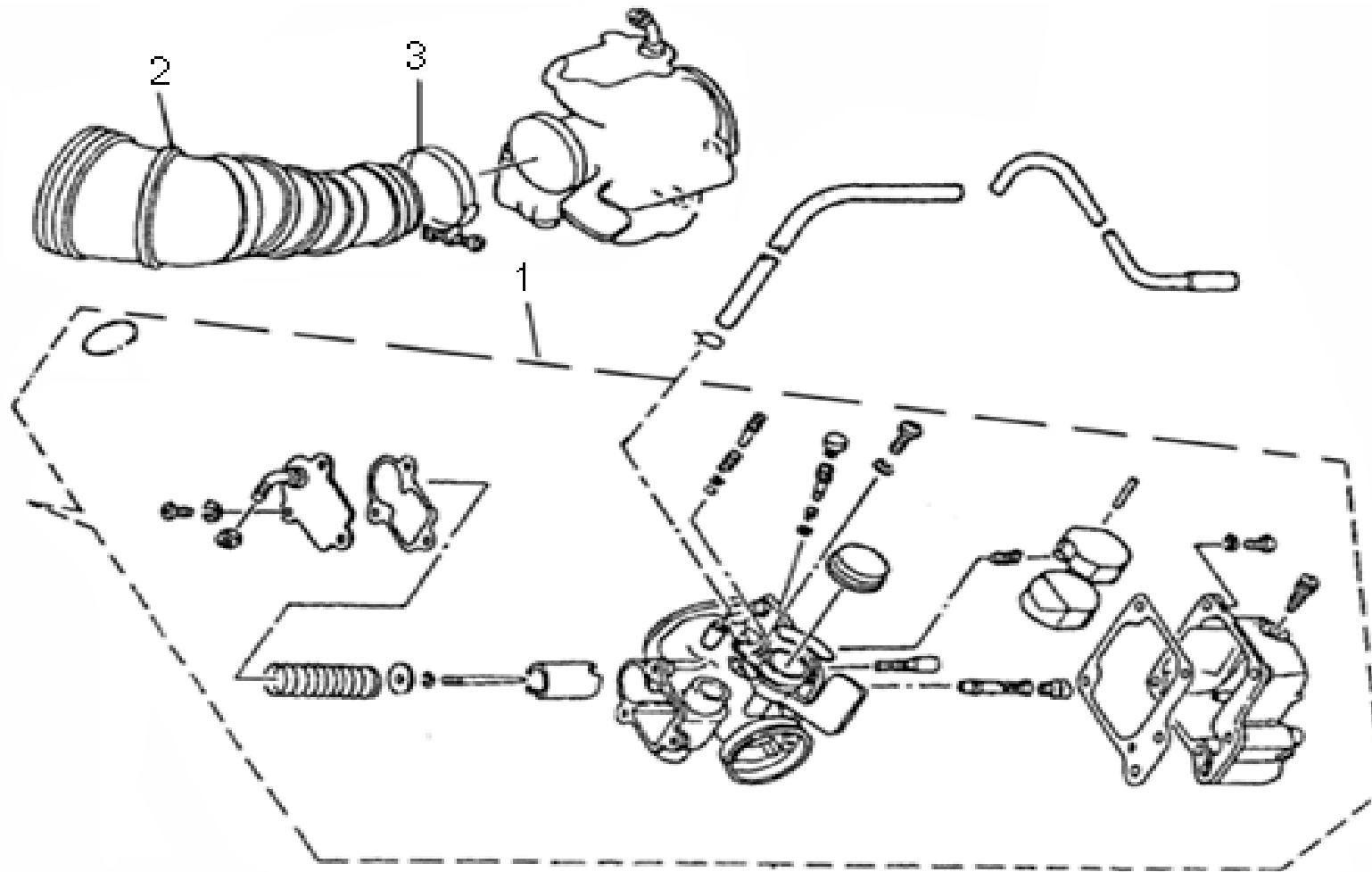
FIG. 10 CAM CHAIN/TENSIONER



ATV110 PARTS CATALOG

REF.NO	PART NO.	DESCRIPTION	UNIDAD
10-1	101431	SPROCKET, CAM 928T	1
10-2	104250	ARM COMP., CAM CHAIN TENSIONER	1
10-3	104296	ROLLER, CAM CHAIN TENSIONER	1
10-4	104295	PIVOT, CAM CHAIN TENSIONER	1
10-5	104299	SPRING, CAM CHAIN TENSIONER	1
10-6	104240	ROD COMP., CAM CHAIN TENSIONER PUSH	1
10-7	104297	ROLLER COMP., CAM CHAIN GUIDE	1
10-8	104298	PIN, CAM CHAIN GUIDE ROLLER	1
10-9	104199	SPROCKET, CAM CHAIN GUIDE	1
10-10	105196	SPINDLE, CAM CHAIN GUIDE SPROCKET	1
10-11	104141	CHAIN, CAM 90	1
10-12	104233	BOLT, SEALING M14×1.5	1
10-13	104132	BOLT, KNOCK M5×12	3
10-14	104234	WASHER, SEALING Φ14	1
10-15	T21904-8E1515	WASHER Φ8.5×15×1.5	1

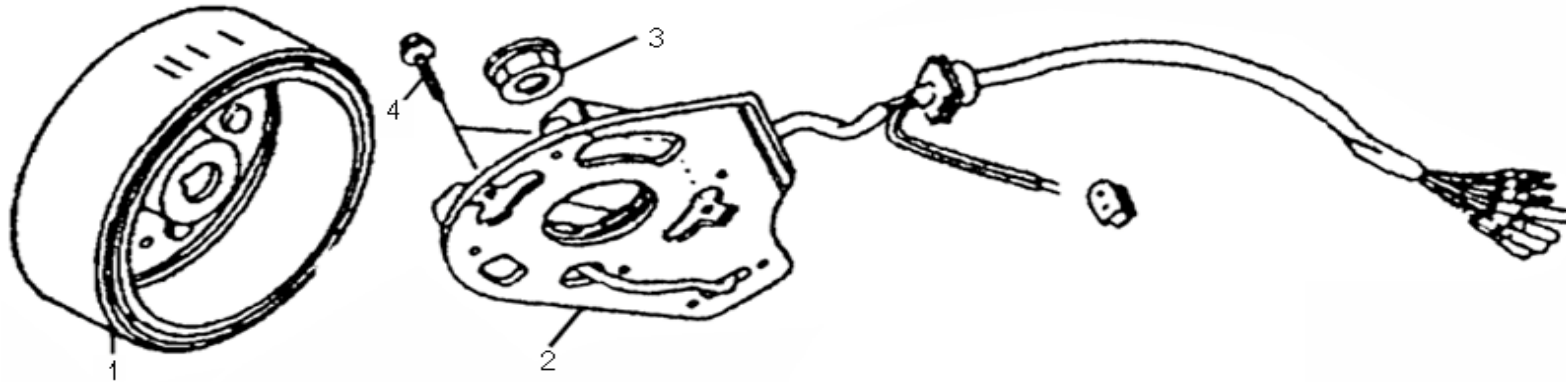
FIG.11 INTAKE



ATV110 PARTS CATALOG

REF.NO	PART NO.	DESCRIPTION	UNIDAD
11-1	113100	CARBURETOR COMP.	1
11-2	115005	JOINT, AIR CLEANER 1	1
11-3	115400	CLAMP, HOSE	1

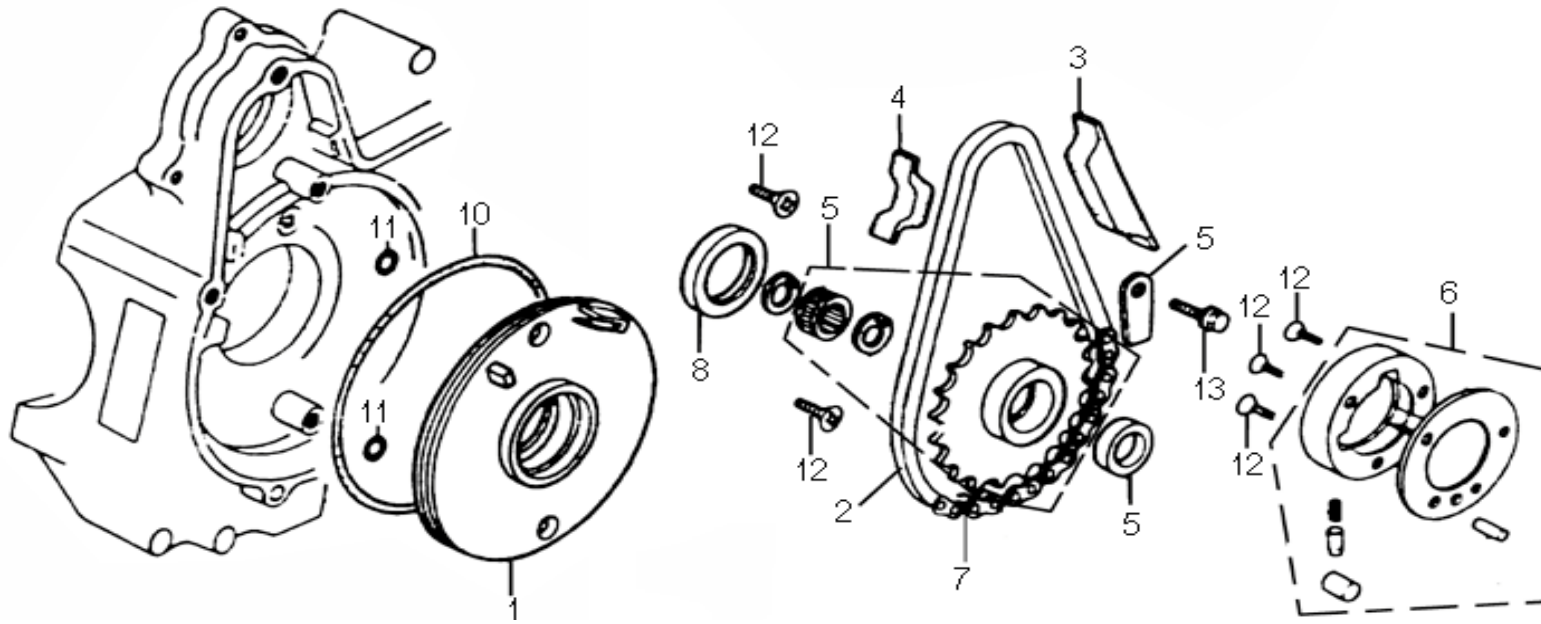
FIG. 12 GENERATOR



ATV110 PARTS CATALOG

REF.NO	PART NO.	DESCRIPTION	UNIDAD
12-1	375100	Rotor COMP.	1
12-2	375200	Base COMP.	1
12-3	103299	Flange nut M10×1.5	1
12-4	SB0616	Flange bolt M6×16	2

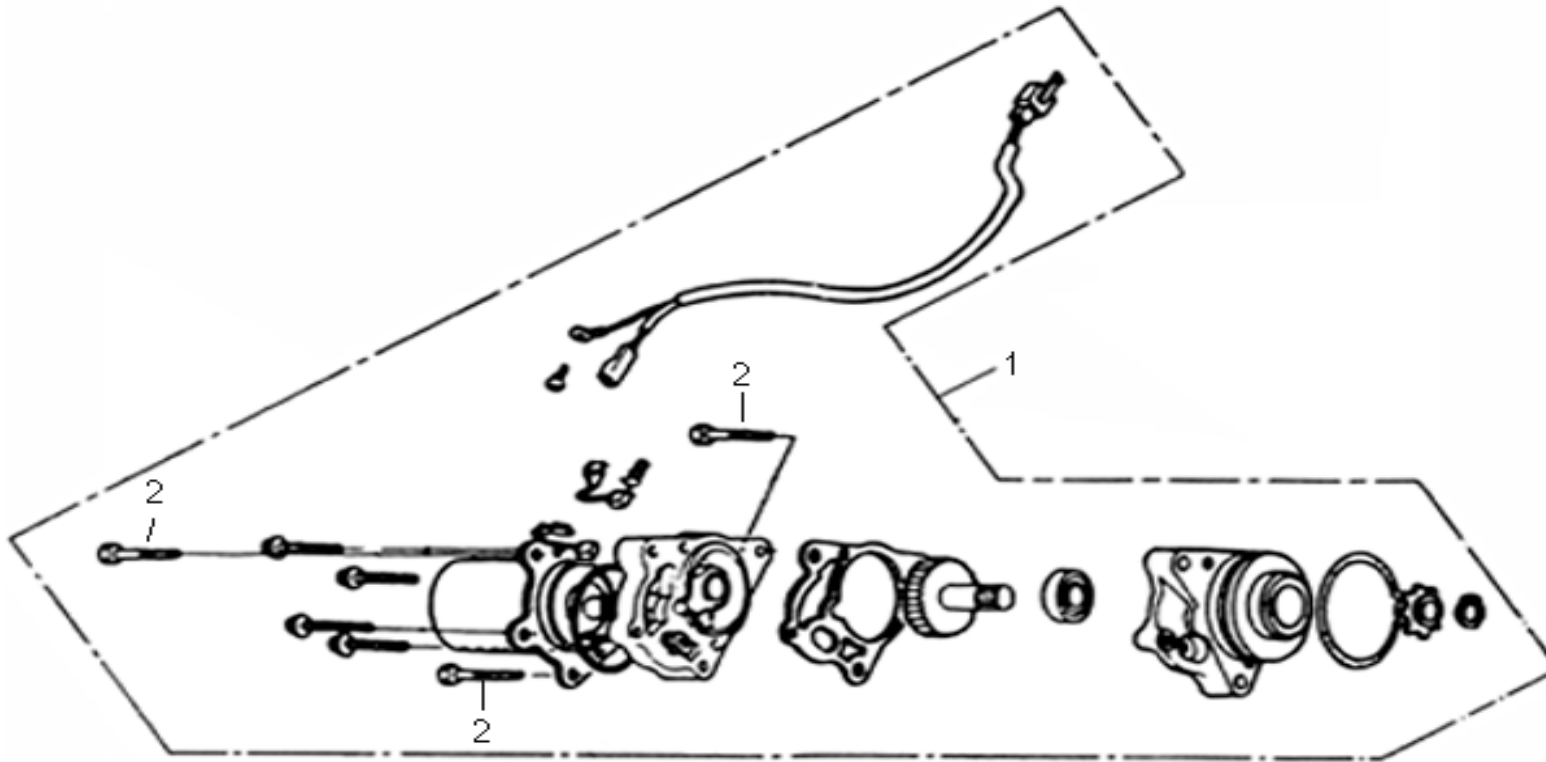
FIG. 13 STARTING CLUTCH



ATV110 PARTS CATALOG

REF.NO	PART NO.	DESCRIPTION	UNIDAD
13-1	101191	PLATE, OIL SEPARATE	1
13-2	109250	CHAIN, STARTING	1
13-3	104232	GUIDE, STARTER CHAIN	1
13-4	104230	PROTECTOR, STARTER CHAIN	1
13-5	109299	PLATE, STARTING SPROCKET SETTING	1
13-6	109110	OUTER, STARTING CLUTCH	1
13-7	109290	SPROCKET COMP., STARTING	1
13-8	101188	OIL SEAL 30×42×4.5	2
13-9	375299	OIL SEAL 18.9×28×5?	1
13-10	101189	O-RING Φ107×2?	1
13-11	375299	O-RING Φ5.7×1.9	2
13-12	D30616-CZ	SCREW, FLAT M6×16	5
13-13	SB0612-DC	BOLT, FLANGE M6×12	1

FIG. 14 STARTING MOTOR/KICK STARTER SPINDLE



ATV110 PARTS CATALOG**REF.NO****PART NO.****DESCRIPTION****UNIDAD**

14-1

376000

MOTOR COMP., STARTER

1

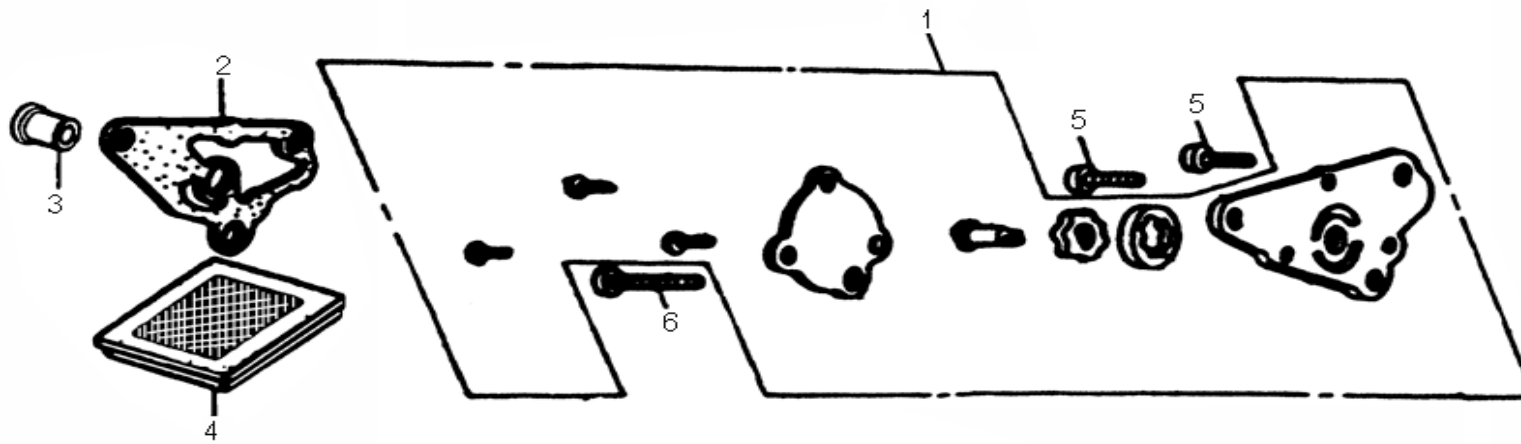
14-2

SB0650-DL

BOLT M6×50

3

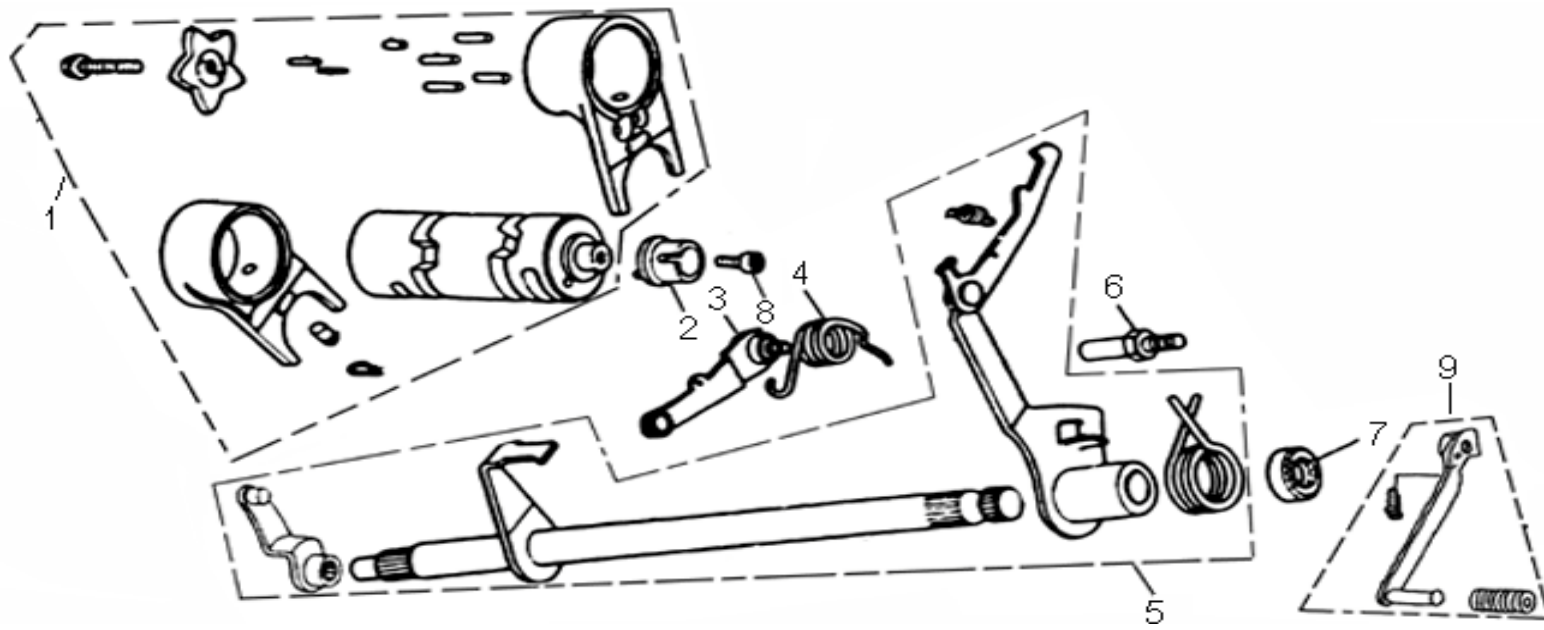
FIG. 15 OIL PUMP



ATV110 PARTS CATALOG

REF.NO	PART NO.	DESCRIPTION	UNIDAD
15-1	105100	POMP COMP., OIL	1
15-2	105198	GASKET, OIL PUMP BODY	1
15-3	105197	PIVOT, OIL FILTER	1
15-4	105211	SCREEN, OIL FILTER	1
15-5	D20616-CZ	SCREW, PAN M6×16	2
15-6	D20622-CZ	SCREW, PAN M6×22	1

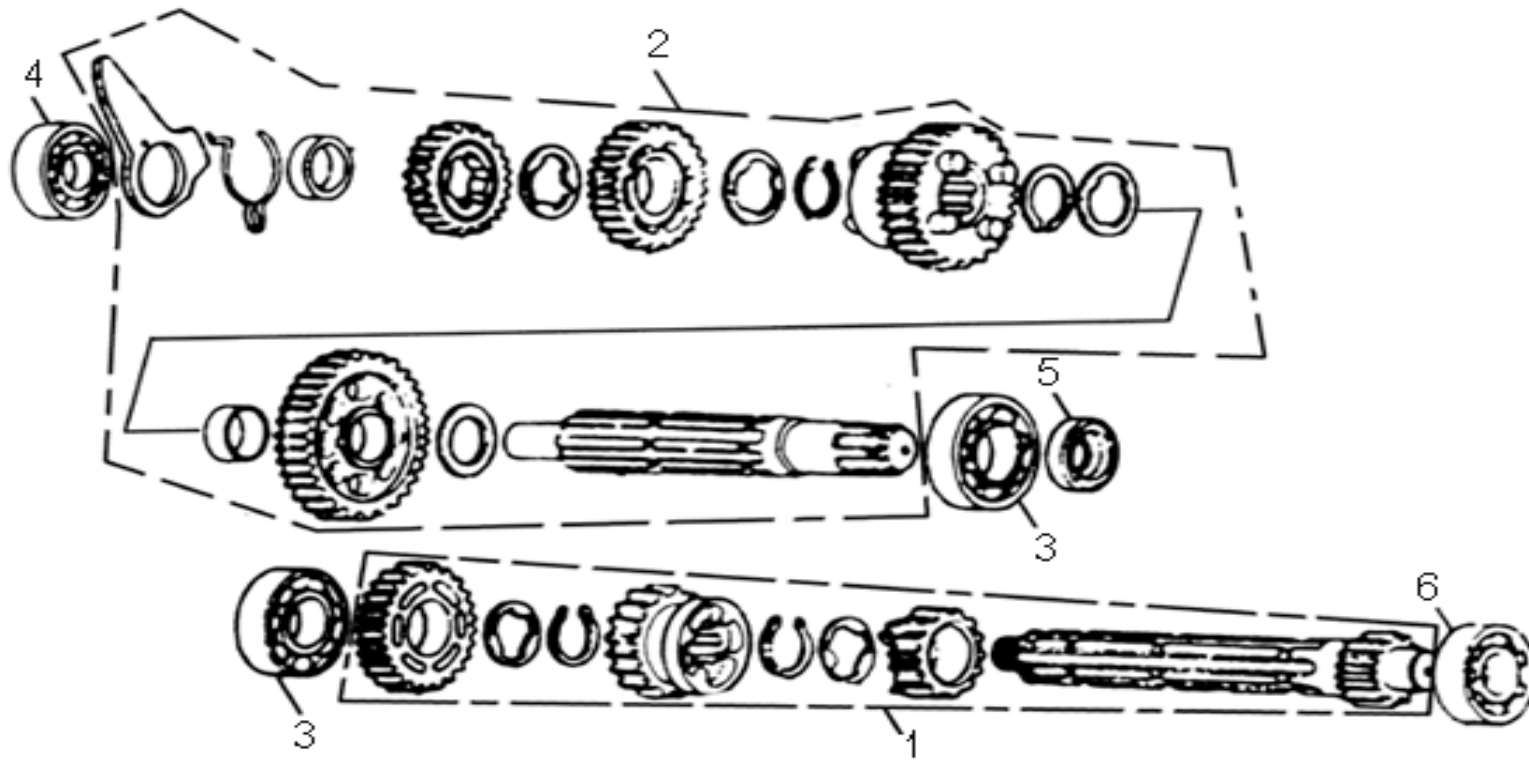
FIG. 16 GEARSHIFT DRUM



ATV110 PARTS CATALOG

REF.NO	PART NO.	DESCRIPTION	UNIDAD
16-1	108100	DRUM COMP., GEARSHIFT	1
16-2	377210	PIECE, CHANGE SWITCH DRIVER	1
16-3	108150	SPINDLE COMP., GEARSHIFT DRUM	1
16-4	108199	SPRING, SHIFT DRUM STOPPER	1
16-5	108210	SPINDLE COMP., GEARSHIFT	1
16-6	108196	PIN, SHIFT RETURN SPTRING	1
16-7	108298	OIL SEAL 11.6×24×10	1
16-8	D00616-YH	BOLT, SOCKET M6×16	2
16-9	201100	PEDAL COMP., CHANGE	1

FIG. 17 TRANSMISSION

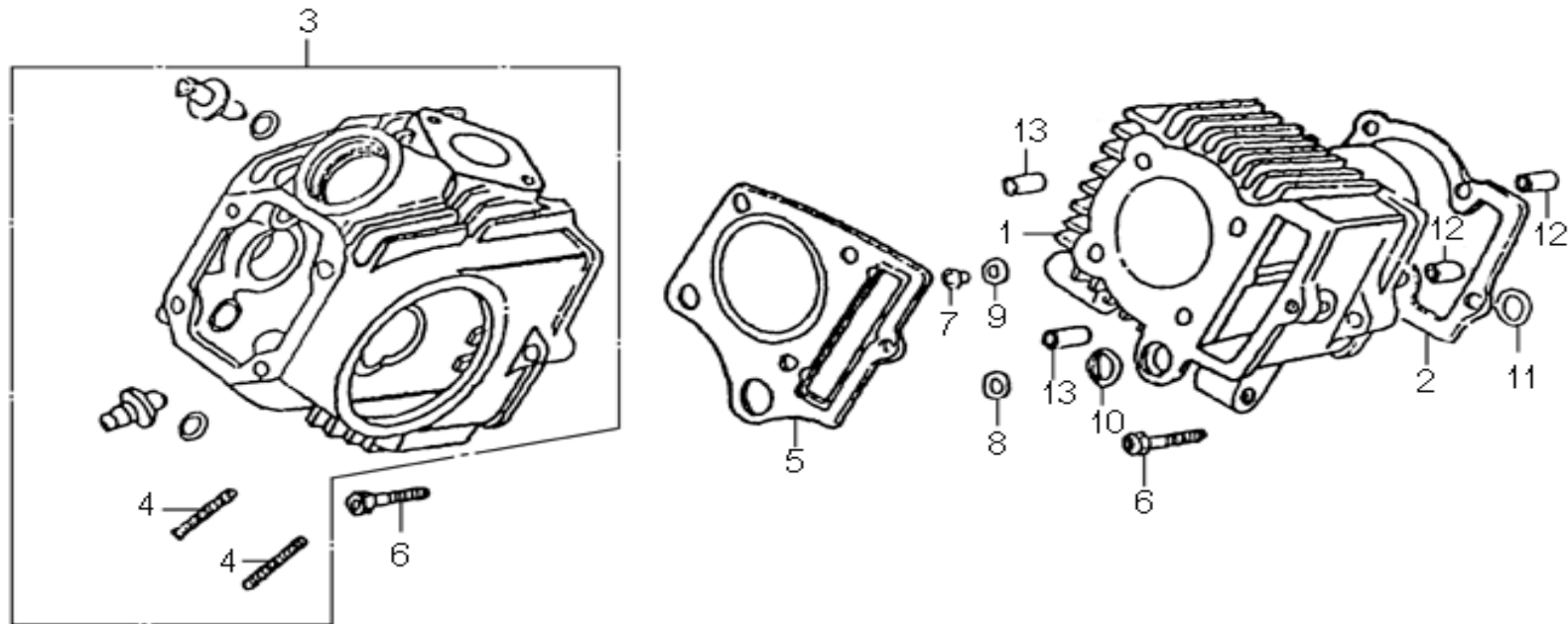


ATV110 PARTS CATALOG

REF.NO	PART NO.	DESCRIPTION	UNIDAD
17-1	107100	MAINSHAFT, TRANSMISSION COMP.	1
17-2	107200	COUNTERSHAFT COMP.	1
17-3	CO-6203	BEARING, RADIAL BALL 6203	2
17-4	CO-6202	BEARING, RADIAL BALL 6202	1
17-5	107299	OIL SEAL	1
17-6	CO-6001	BEARING, RADIAL BALL 6001	1

REVERSE ENGINE PARTS

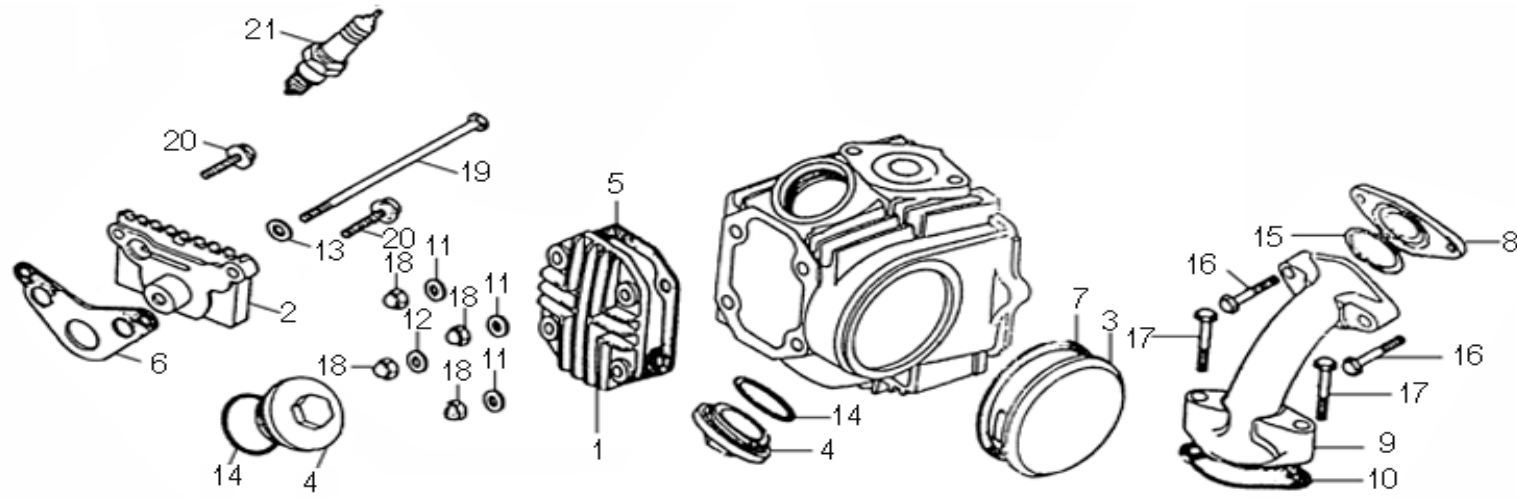
FIG. R1 CYLINDER HEAD



ATV110 PARTS CATALOG

REF.NO	PART NO.	DESCRIPTION	UNIDAD
R1-1	102110	cylinder	1
R1-2	102199	cylimder gasket	1
R1-3	102210	cylinder head	1
R1-4	104393	stued M6×40	2
R1-5	102299	Gasket set	1
R1-6	520623-DL	bolt M6×23	2
R1-7	102192	sleeve	1
R1-8	102193	Bush (Φ11.5×14.8×1.8)	1
R1-9	102189	o-ringΦ9×11.7×1.5	2
R1-10	102194	O-ring(Φ14.5×18.5×2.4)	1
R1-11	102195	O-ring(Φ11.5×15.7×2.4)	1
R1-12	T41100-008120	pin 8×12	2
R1-13	T41100-008140	pin 8×14	2

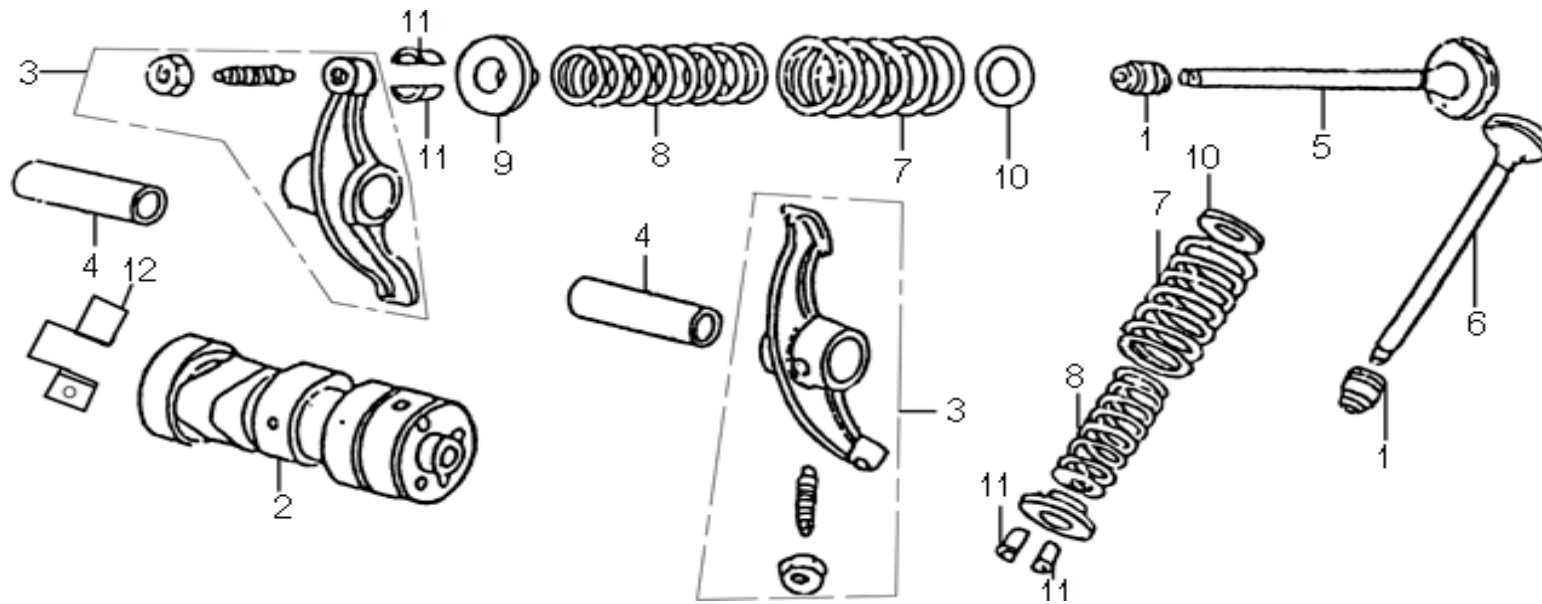
FIG. R2 CYLINDER HEAD COVER



ATV110 PARTS CATALOG

REF.NO	PART NO.	DESCRIPTION	UNIDAD
R2-1	102231	cylinder head	1
R2-2	102252	right cover of cylinder head	1
R2-3	102251	left cover of cylinder head	1
R2-4	102294	Inspection valve cover	2
R2-5	102249	cylinder head gasket	1
R2-6	102259	gasket	1
R2-7	102258	gasket	1
R2-8	113199	gasket	1
R2-9	113611	inlet pipe	1
R2-10	113614	sealing gasket	1
R2-11	T22134-061320	washer 6	3
R2-12	T21841-061320	washer 6	1
R2-13	T21904-061212	washer 6	1
R2-14	T51120-320308	O-ring $\Phi 30.8 \times 3.8$	2
R2-15	T51120-240025	O-ring $\Phi 25 \times 2.4$	1
R2-16	S60625-DL	bolt M6 \times 25	2
R2-17	S60632-DL	bolt M6 \times 32	2
R2-18	T15218-106000	Cap nut M6	4
R2-19	T11217-006110	bolt M6 \times 110	1
R2-20	SB0620-DL	bolt M6 \times 20	2
R2-21	305300	spark plug	1

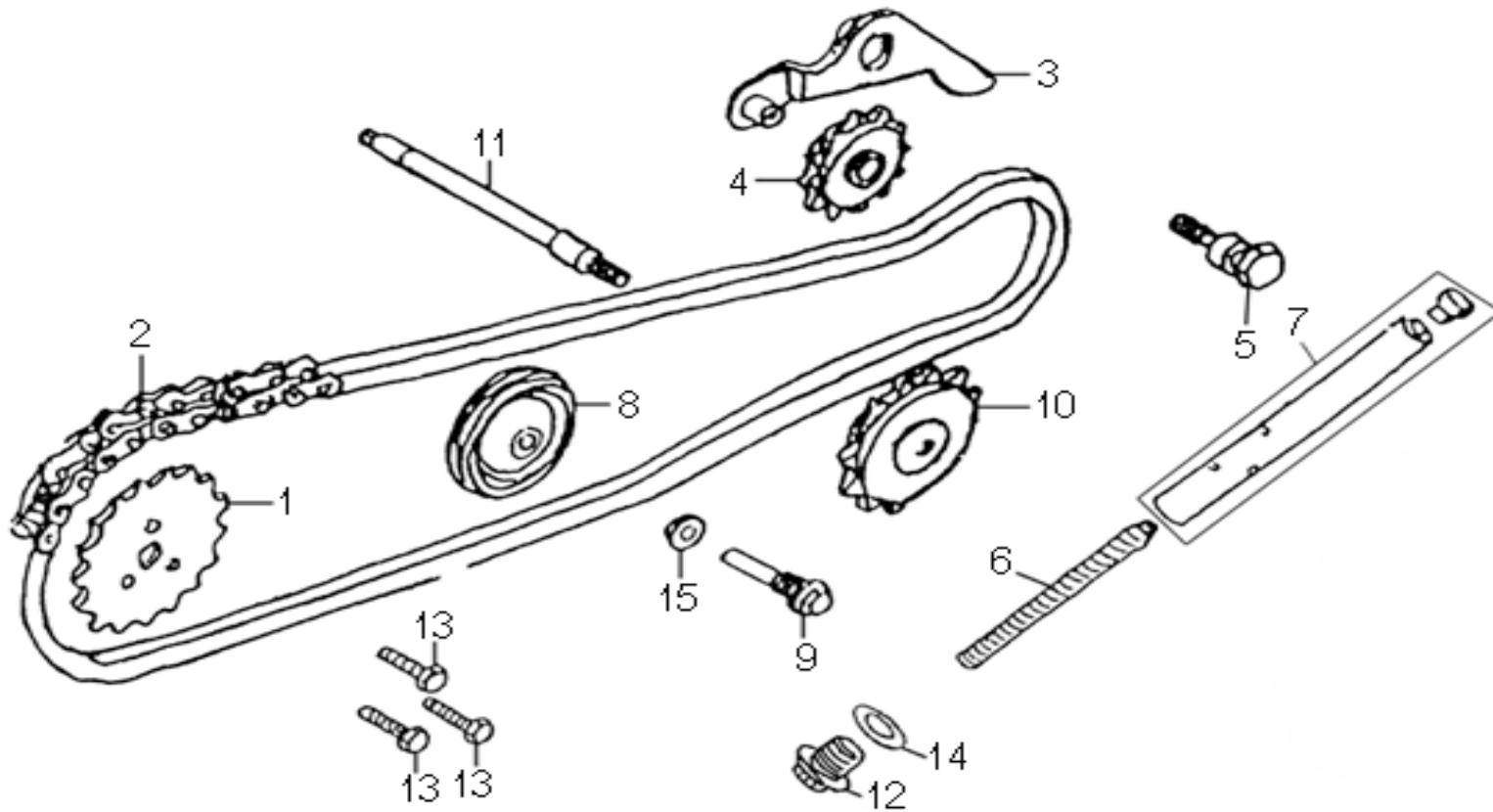
FIG. R3 CAMSHAFT VALVE



ATV110 PARTS CATALOG

REF.NO	PART NO.	DESCRIPTION	UNIDAD
R3-1	104399	seal valve stem	2
R3-2	104110	camshaft comp	1
R3-3	104411	valve rocker	2
R3-4	104427	rocker shaft	2
R3-5	104311	inlet valve	1
R3-6	104312	exhaust valve	1
R3-7	104322	outer valve spring	2
R3-8	104321	inner valve spring	2
R3-9	104395	spring seat	2
R3-10	104396	spring seat	2
R3-11	104398	valve cotter	4
R3-12	102280	Caging plate comp	1

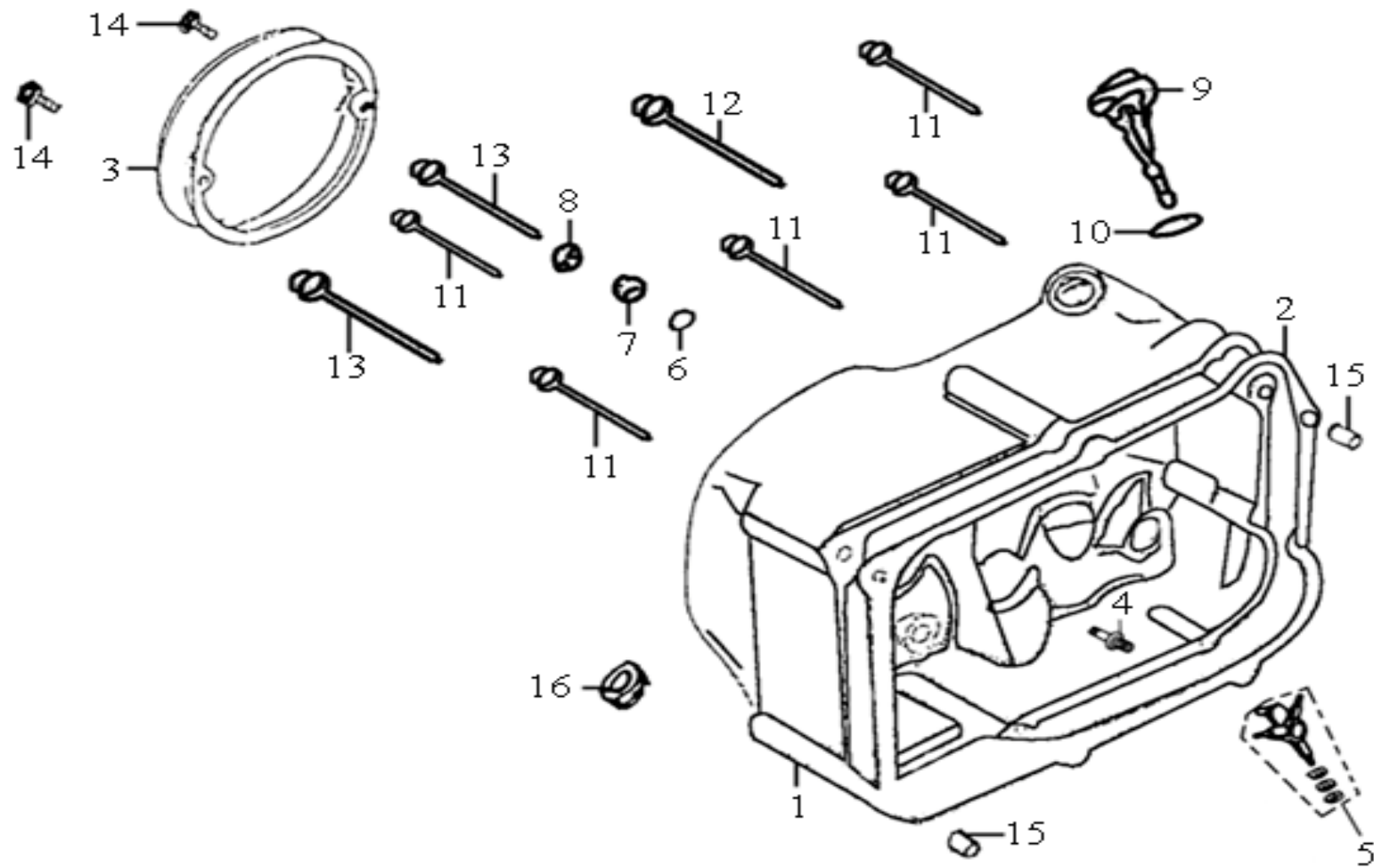
FIG. R4 CAM CHAIN TENSIONER



ATV110 PARTS CATALOG

REF.NO	PART NO.	DESCRIPTION	UNIDAD
R4-1	101431	Timing drive sprocket	1
R4-2	104141	sprocket chain (84H)	1
R4-3	104250	chain adjusting set	1
R4-4	104296	chain roller	1
R4-5	104295	pin	1
R4-6	104299	spring (40.7)	1
R4-7	104240	chain tensioner set	1
R4-8	104297	guide chain roller set	1
R4-9	104298	guide chain roller pin	1
R4-10	105199	Sproket oil pump	1
R4-11	105196	Shaft, sproket, oil pump	1
R4-12	104233	sealing plug M14×1.5	1
R4-13	104132	bolt M5×12	3
R4-14	104234	washer	1
R4-15	T21904-8E1515	washer 8.5×15×1.5	1

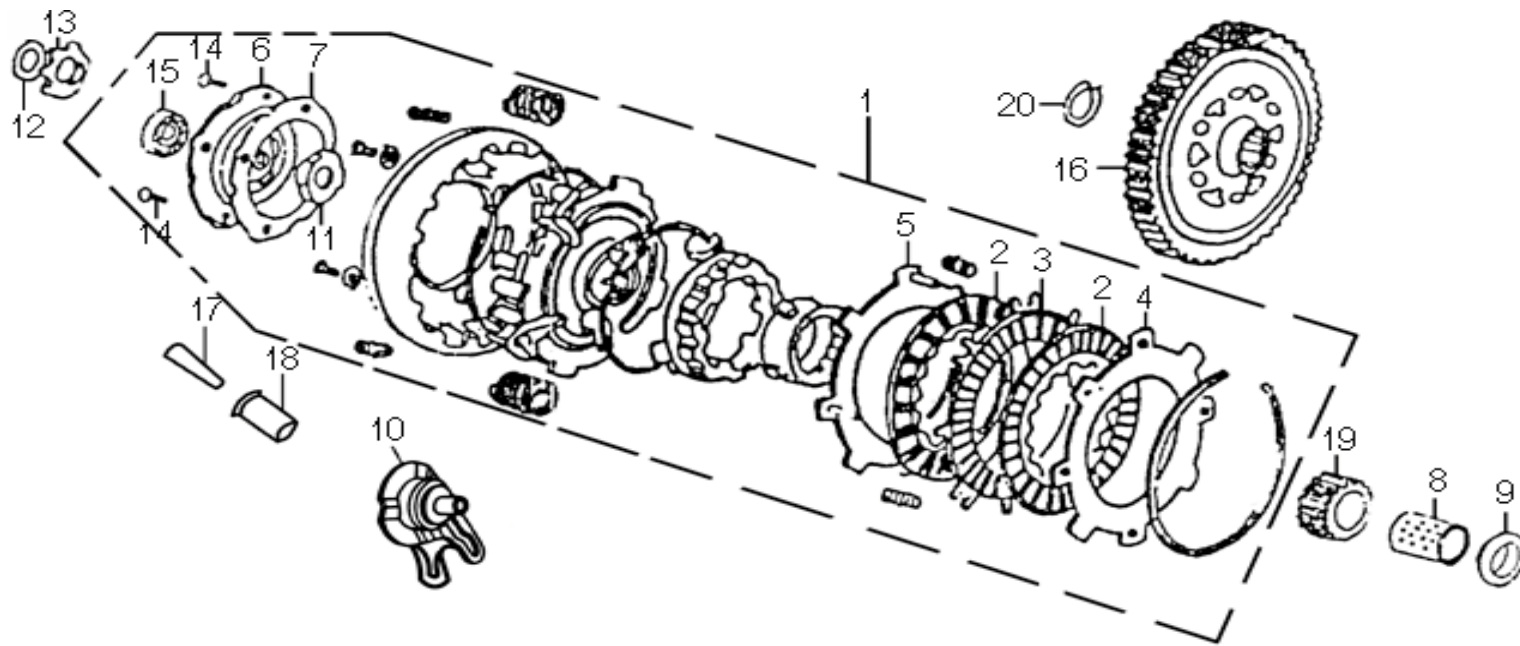
FIG. R5 RIGHT CRANKCASE COVER



ATV110 PARTS CATALOG

REF.NO	PART NO.	DESCRIPTION	UNIDAD
R5-1	101411	Cover comp,R,carankansae	1
R5-2	101499	Gasket R cover	1
R5-3	101412	Cover	1
R5-4	106254	Bolt, clutch adjusting	1
R5-5	106370	Lifting rod, clutch	1
R5-6	T51110-180075	O-ring 7.5×1.8	1
R5-7	T21001-081410	Washer 8	1
R5-8	M10800-DL	Nut M8	1
R5-9	105301	dipstick	1
R5-10	T51110-350180	O-ring Φ 18×3.5	1
R5-11	SB0640-DL	Bolt M6×40	5
R5-12	SB0665-DL	Bolt M6×65	1
R5-13	SB0680-DL	Bolt M6×80	2
R5-14	SB0616-DL	Bolt M6×16	2
R5-15	T41100-008120	Pin 8×12	2
R5-16	102232	Inspection hole, oil level	1

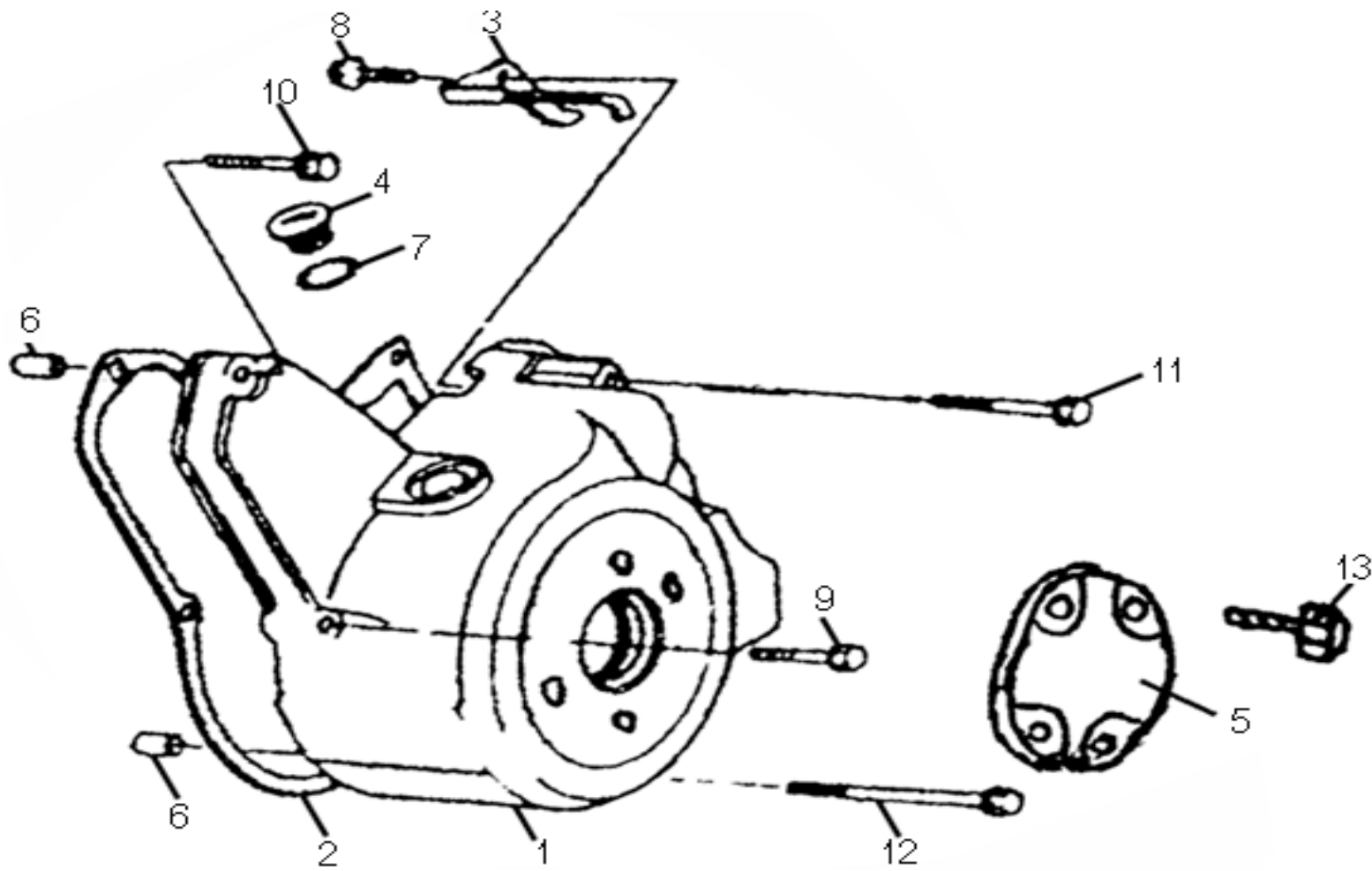
FIG.R6 CLUTCH



ATV110 PARTS CATALOG

REF.NO	PART NO.	DESCRIPTION	UNIDAD
R6-1	106000	Clutch comp.	1
R6-2	106234	Friction plate(A)	2
R6-3	106233	Friction plate(B)	1
R6-4	106287	Down plate	1
R6-5	106286	Up plate	1
R6-6	106289	Plate,clutch	1
R6-7	106288	Gasket	1
R6-8	106109	Bush	1
R6-9	106283	Washer	1
R6-10	106380	Camdisc, clutch	1
R6-11	106296	Nut M14	1
R6-12	T23822-140000	Washer thurse 14	1
R6-13	106295-140000	Washer lock 14	1
R6-14	D30510-BE	Bolt M5×10	4
R6-15	C0-6000	Bearing 6000	1
R6-16	106211	Primary driven gear comp	1
R6-17	106293	spring fluid tube	1
R6-18	106292	flicid tube	1
R6-19	106101	primary drive gear 18	1
R6-20	106216	circlip	1

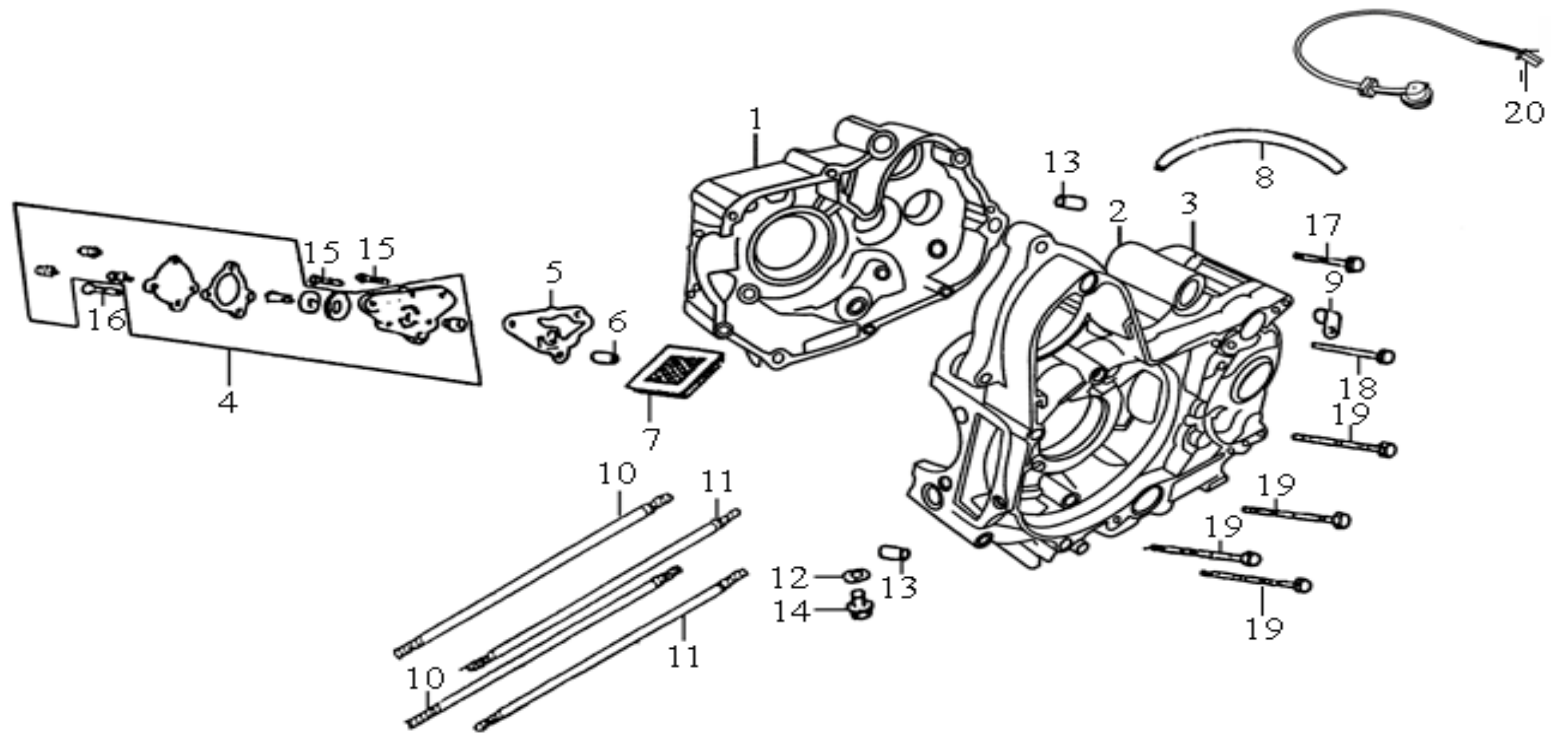
FIG. R7 LEFT CRANKCASE COVER



ATV110 PARTS CATALOG

REF.NO	PART NO.	DESCRIPTION	UNIDAD
R7-1	101311	Front L.crankcase cover	1
R7-2	101329	Left cover gasket	1
R7-3	101315	Clamp	1
R7-4	101313	Cap B	1
R7-5	101312	Cap A	1
R7-6	T41100-008120	Dowel pin 8×12	2
R7-7	T51120-250138	O-ring 13.8×2.5	1
R7-8	SB0616-CZ	Flange bolt M6×16	1
R7-9	SB0628-DL	Flange bolt M6×28	1
R7-10	SB0632-DL	Flange bolt M6×32	1
R7-11	SB0650-DL	Flange bolt M6×50	1
R7-12	SB0670-DL	Flange bolt M6×70	1
R7-13	SB0612-DL	Flange bolt M6×12	4

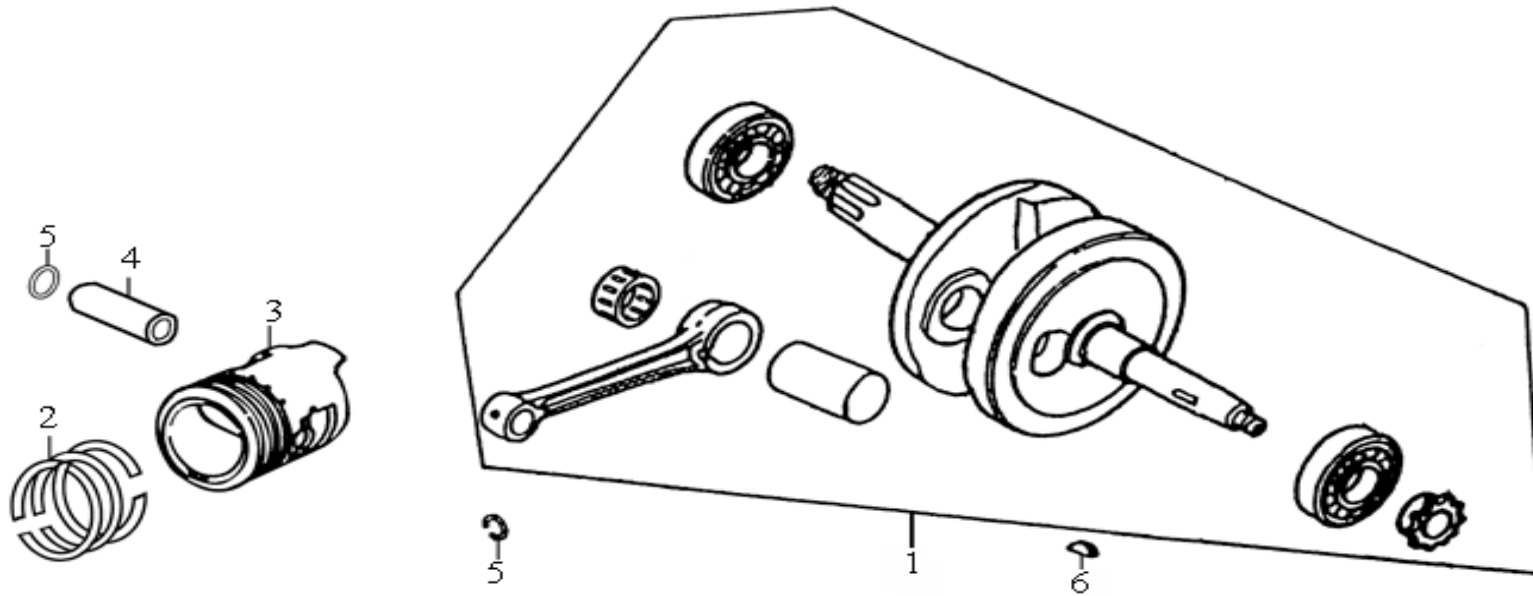
FIG. R8 CRANKCASE & OIL PUMP



ATV110 PARTS CATALOG

REF.NO	PART NO.	DESCRIPTION	UNIDAD
R8-1	101210	right crankcase block	1
R8-2	101199	gasket crankcase	1
R8-3	101110	left crankcase block	1
R8-4	105100	oil pump assy	1
R8-5	105198	Oil pump gasket	1
R8-6	105197	sleeve	1
R8-7	105211	oil set	1
R8-8	105401	air pipe	1
R8-9	101198	clamp	1
R8-10	101193	botl A , cylinder stud	2
R8-11	101194	botl B , cylinder stud	2
R8-12	T21904-122015	washer 12	1
R8-13	T41100-010140	dower pin 10×14	2
R8-14	105099	drain plug M12	1
R8-15	D20616-CZ	screw M6×16	2
R8-16	D20622-CZ	screw M6×22	1
R8-17	SB0650-DL	bolt M6×50	1
R8-18	SB0660-DL	bolt M6×60	1
R8-19	SB0665-DL	bolt M6×65	4
R8-20	377200	Gear indicator	1

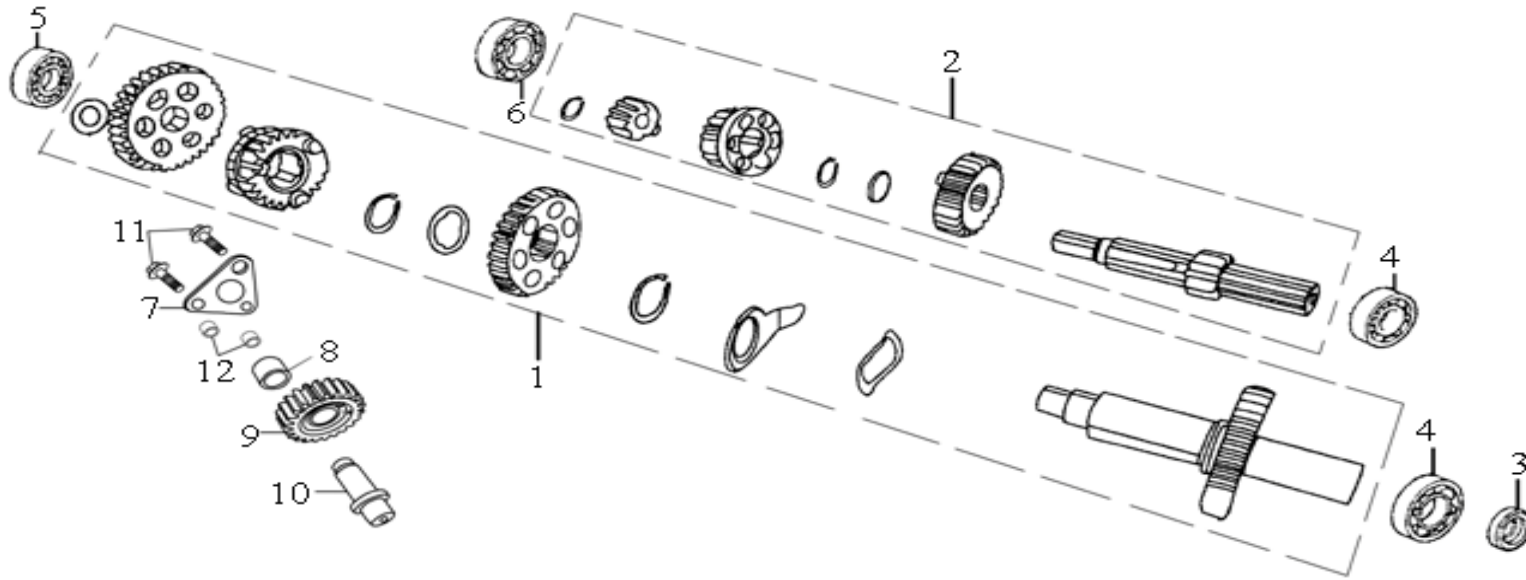
FIG. R9 CRANKSHAFT PISTON



ATV110 PARTS CATALOG

REF.NO	PART NO.	DESCRIPTION	UNIDAD
R9-1	103200	crankshaft comp	1
R9-2	103120	piston ring (1)	1
R9-3	103101	piston	1
R9-4	103111	Piston pin	1
R9-5	103115	clip piston pin	2
R9-6	103216	key	1

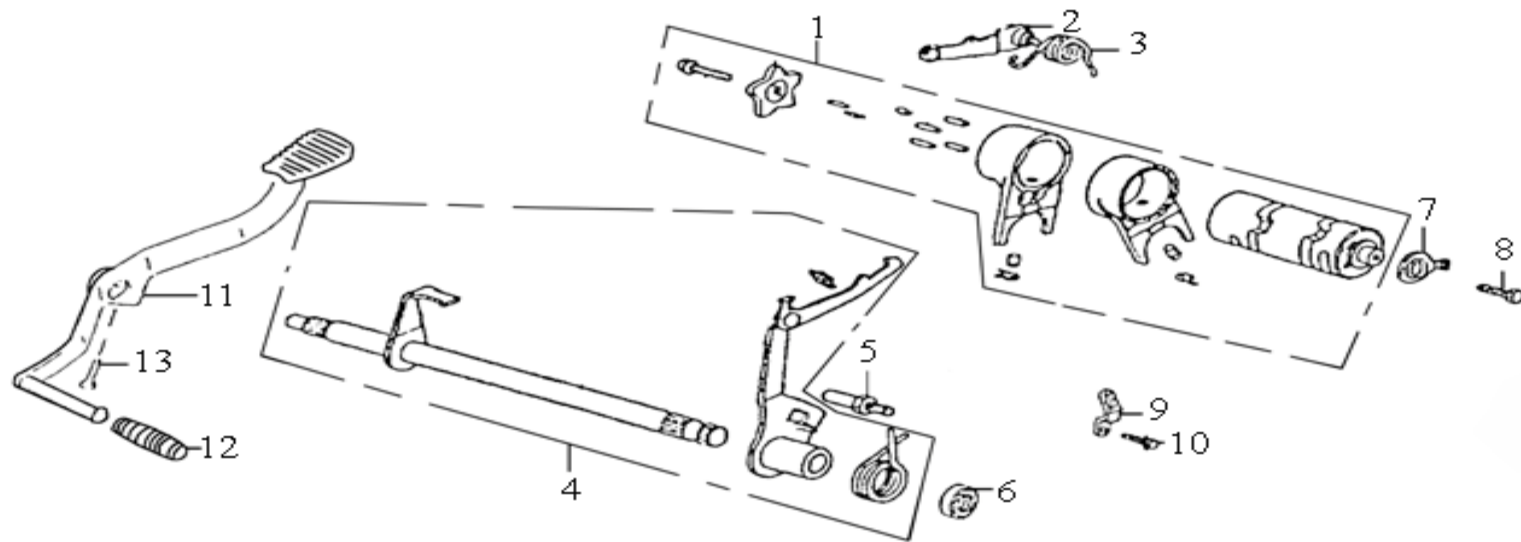
FIG. R10 TRANSMISSION



ATV110 PARTS CATALOG

REF.NO	PART NO.	DESCRIPTION	UNIDAD
R10-1	107200	Driven sub-shaft comp	1
R10-2	107100	Driven shaft comp	1
R10-3	10299	Oil seal	1
R10-4	CO-6203	Bearing 6203	2
R10-5	CO-6201	Bearing 6201	1
R10-6	CO-6001	Bearing 6001	1
R10-7	107398	Idler wheel shaft plate	1
R10-8	107397	Idler pin	1
R10-9	107382	Idler wheel	1
R10-10	107399	Idler wheel shaft	1
R10-11	S60620-BZ	Bolt M6×2	2
R10-12	T41100-008120	Pin	2

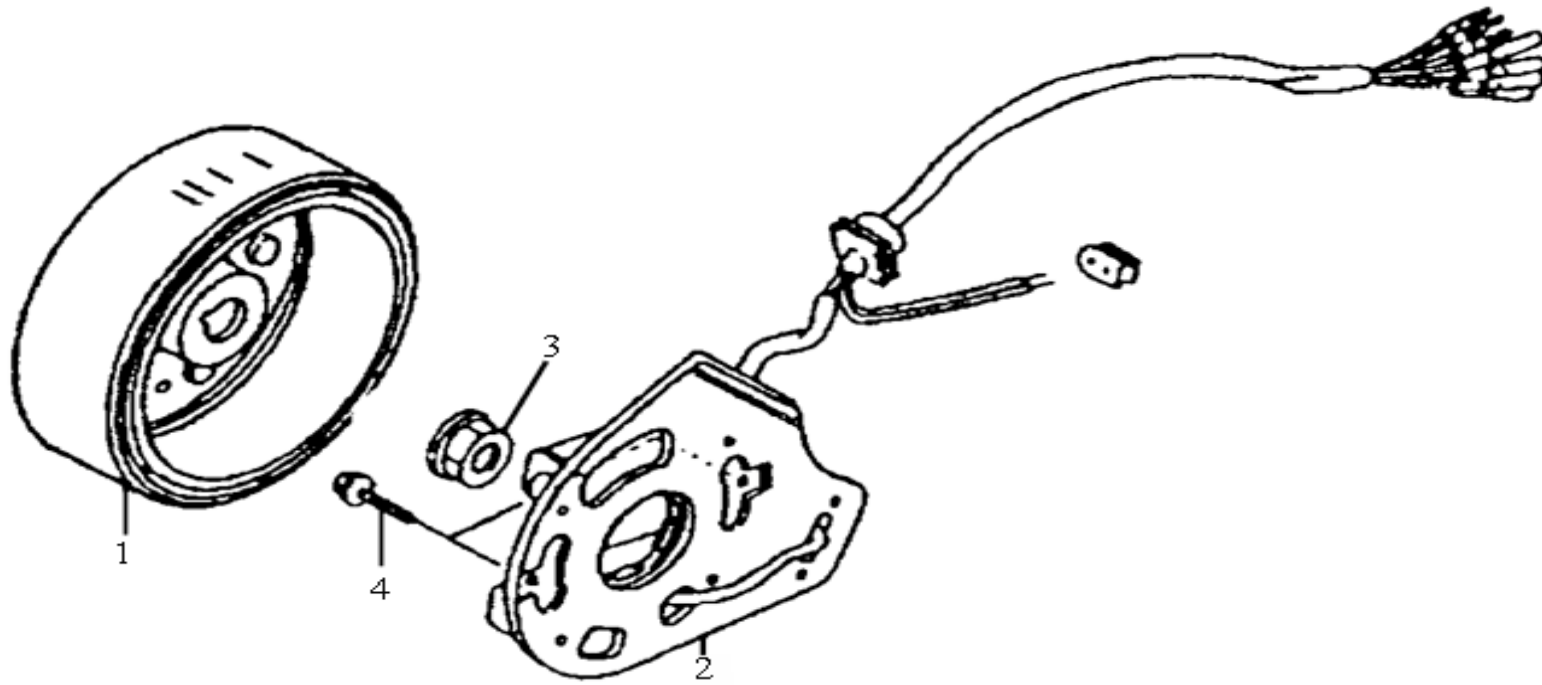
FIG. R11 GEARSHIFT DRUM



ATV110 PARTS CATALOG

REF.NO	PART NO.	DESCRIPTION	UNIDAD
R11-1	108100	Shaft cam arle assy	1
R11-2	108150	Plate gear shift	1
R11-3	108199	Spring,gearshift plate return	1
R11-4	108210	Arm comp,gearshift	1
R11-5	108196	Bolt	1
R11-6	108298	Oil seal 11.6×24×10	1
R11-7	377210	Rotor, gear switch	1
R11-8	D00616-YH	Bolt M6×16	1
R11-9	377104	Locate plate	1
R11-10	s60616-cz	Bolt M6×16	1
R11-11	201101	Lever assy, gear shift	1
R11-12	201102	Rubber	1
R11-13	s60620-dl	Bolt M6×2	1

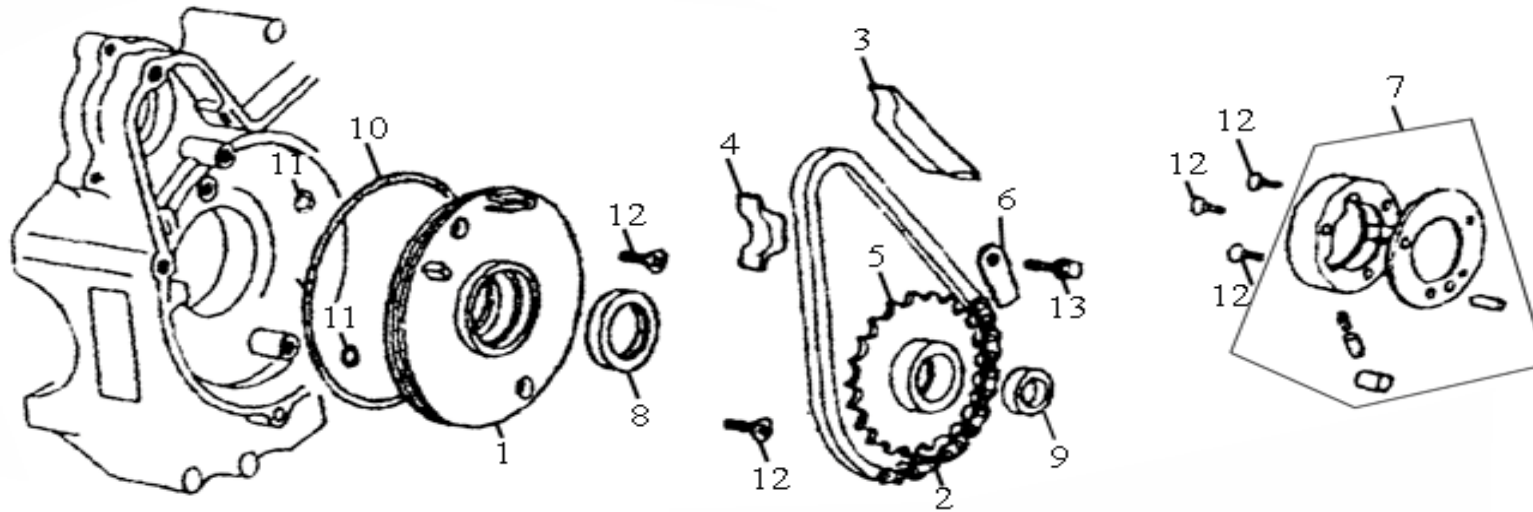
FIG. R12 GENERATOR



ATV110 PARTS CATALOG

REF.NO	PART NO.	DESCRIPTION	UNIDAD
R12-1	375100	Rotor assy.	1
R12-2	375200	Base assy.	1
R12-3	103299	Flange nut M10	1
R12-4	SB0616-DL	Flange bolt M6×16	2

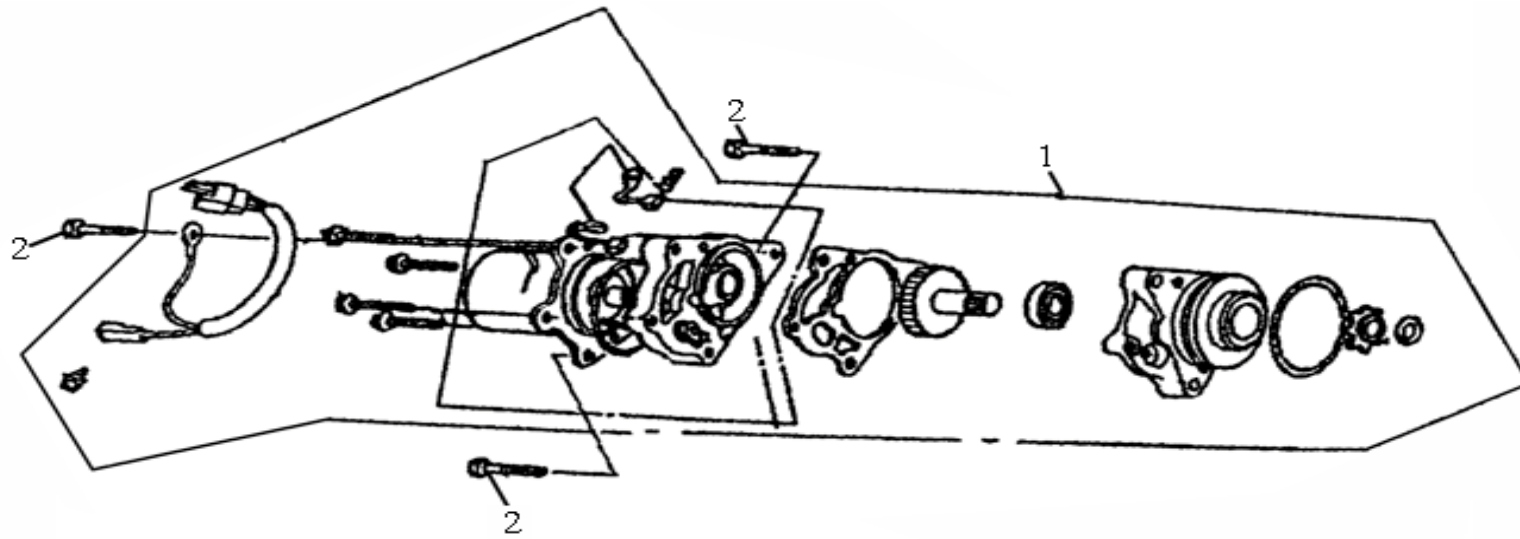
FIG. R13 STARTING CLUTCH



ATV110 PARTS CATALOG

REF.NO	PART NO.	DESCRIPTION	UNIDAD
R13-1	101191	Disk insulator	1
R13-2	109250	Chain,start 62T	1
R13-3	104232	Guide,start chain	1
R13-4	104230	Guard,start chian	1
R13-5	109290	Plate,start chain	1
R13-6	109299	Compression plate, sproket	1
R13-7	109110	Case comp,start clutch	1
R13-8	101188	Seal ring 30×40×4.5	1
R13-9	375299	Seal ring 18.9×30×5	1
R13-10	101189	O-ring 107×2	1
R13-11	375299	O-ring 5.7×1.9	2
R13-12	D30616-CZ	Screw M6×16	5
R13-13	SB0612-CZ	Screw M6×12	1

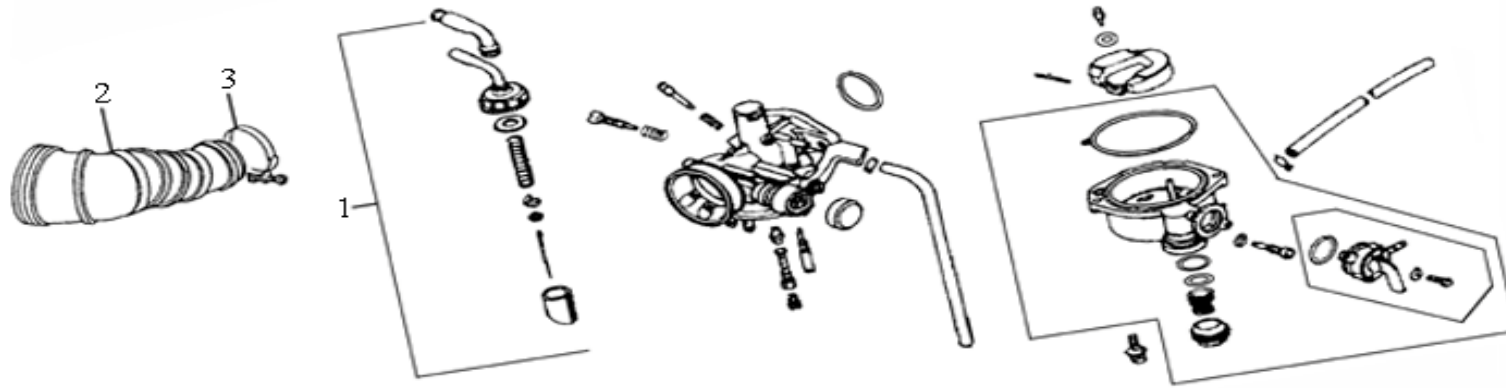
FIG. R14 STARTING MOTOR



ATV110 PARTS CATALOG

REF.NO	PART NO.	DESCRIPTION	UNIDAD
R14-1	376000	Starting motor assy.	1
R14-2	SB0650-DL	Bolt M6×50	3

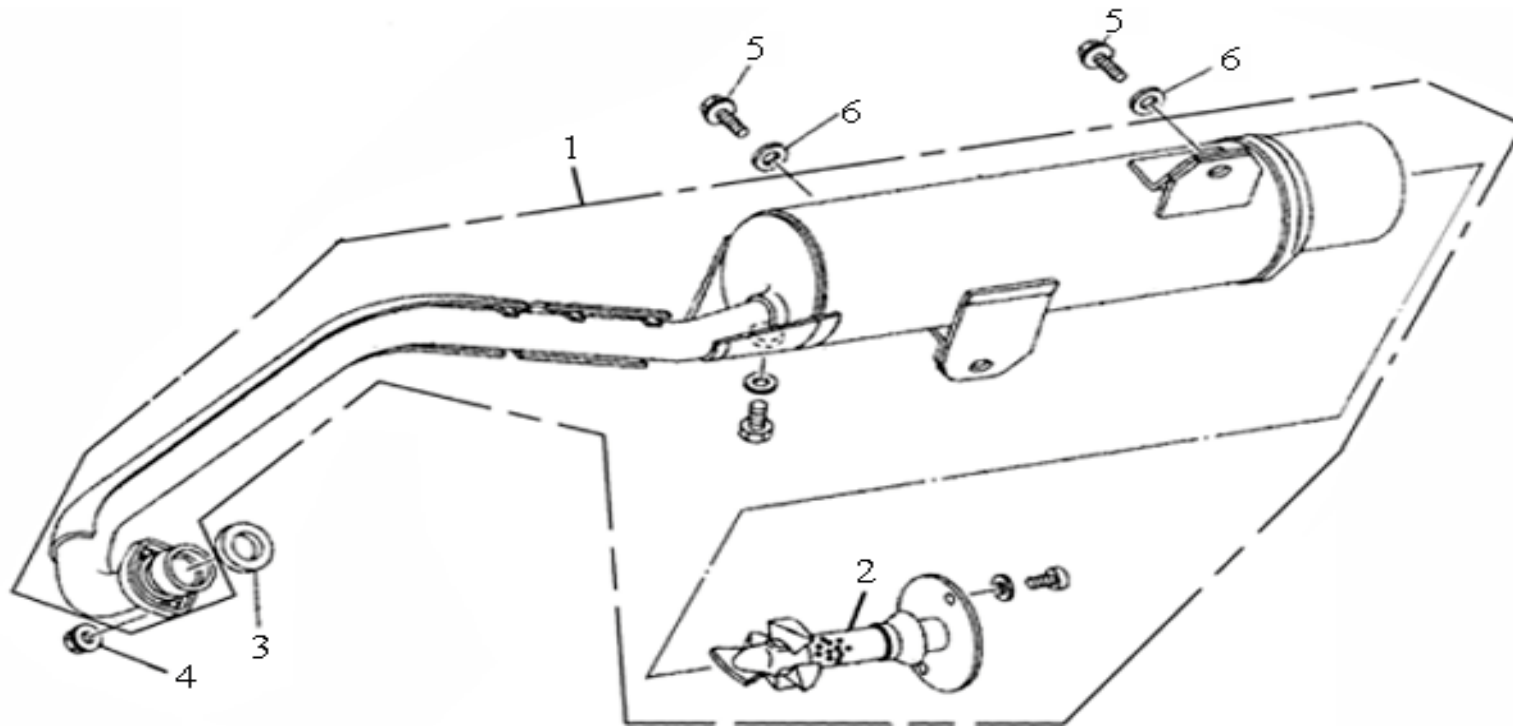
FIG. R15 CARBURETOR



ATV110 PARTS CATALOG

REF.NO	PART NO.	DESCRIPTION	UNIDAD
R15-1	113100	carburetor assy	1
R15-2	115005	Joint, air cleaner 1	1
R15-3	115400	Clamp, hose	1

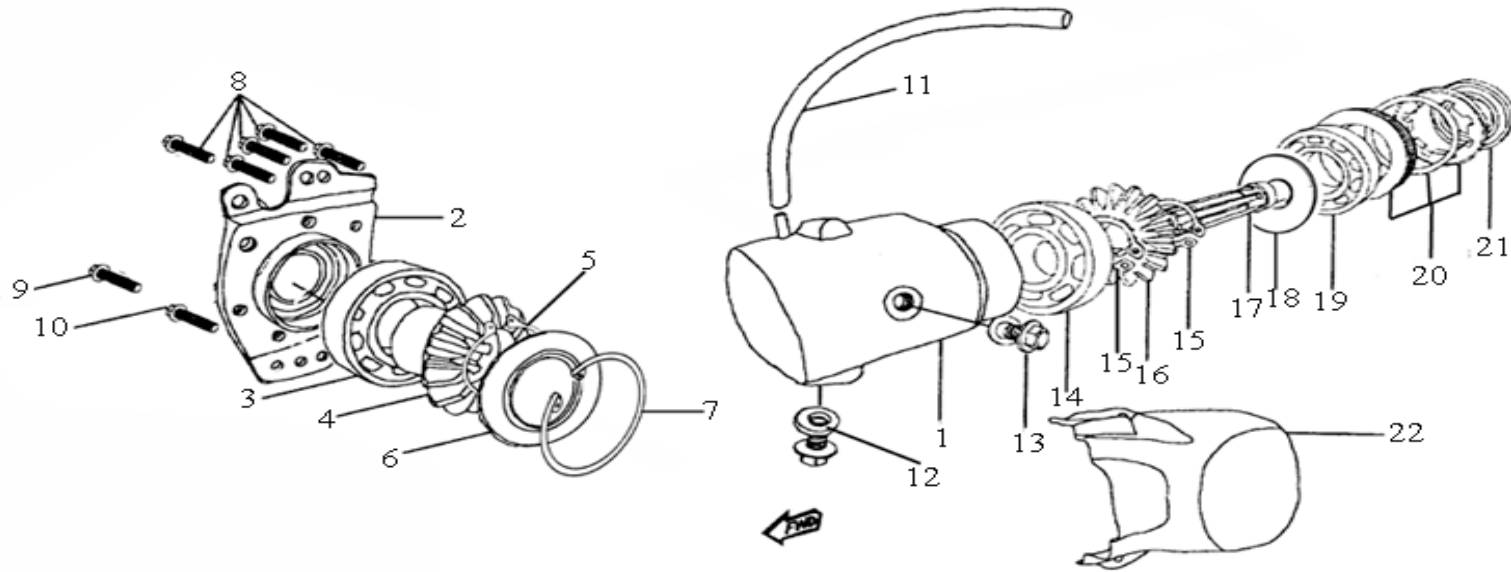
FIG. R16 EXHAUST MUFFLER



ATV110 PARTS CATALOG

REF.NO	PART NO.	DESCRIPTION	UNIDAD
R16-1	117000	Muffler	1
R16-2	117005	Immer pipe, muffler	1
R16-3	117073	Gasket, exhust pipe	1
R16-4	GB56-89	Nut, flange M6	1
R16-5	SA0816	Bolt, flange M8×16	2
R16-6	Q20800	Washer, plate Φ8	2

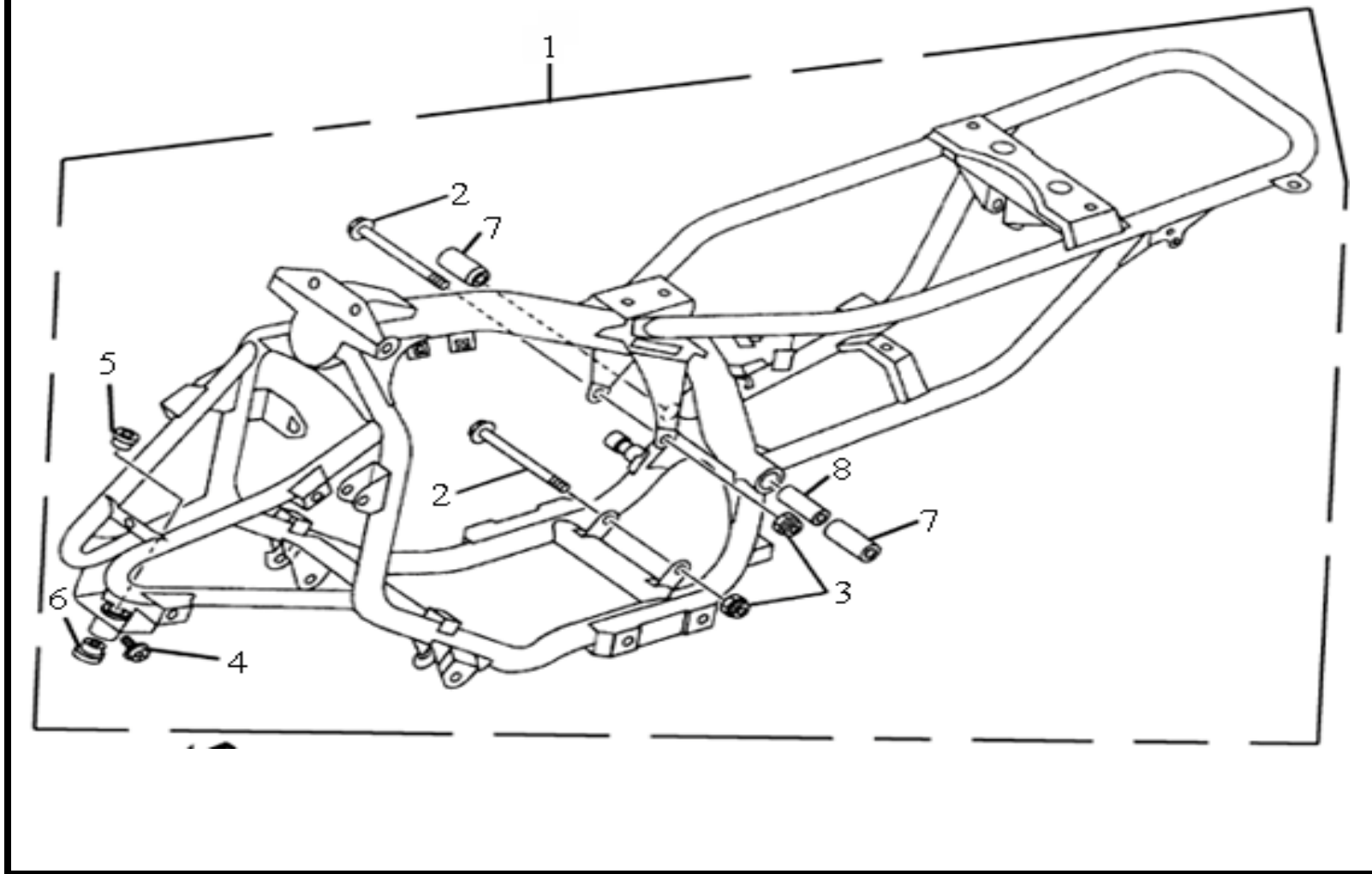
FIG. 18 REAR CRANKCASE COVER



ATV110 PARTS CATALOG

REF.NO	PART NO.	DESCRIPTION	UNIDAD
R18-1	204104	Cover, rear crankcase	1
R18-2	204105	Crankcase, rear	1
R18-3	C0-6205	Bearing (6205)	1
R18-4	24101	Drive gear	1
R18-5	T35821-023080	Cir clip Φ 23	1
R18-6	GB/T 62105832-8.1-2000	Oil seal 25×35×15	1
R18-7	T36821-005080	Cir clip Φ 55	1
R18-8	SB0625	Bolt, flange M6×25	5
R18-9	SB0618	Bolt M6×18	1
R18-10	S60618	Bolt M6×18	1
R18-11	911110	Hose	1
R18-12	H40612	Plug, straight screw M6×12	1
R18-13	H40810	Plug, oil M8×10	1
R18-14	C0-6202	Bearing (b6202)	1
R18-15	A21700	Cir clip Φ 17	2
R18-16	204102	Gear, final driven	1
R18-17	204103	Axle, drive	1
R18-18	T21000-172503	Washer Φ 17	1
R18-19	C0-16004	Bearing (16004)	1
R18-20	204109	Ring	1
R18-21	GB/T 62105832-8.1-2000	Oil seal 20×35×5	1
R18-22	101311	Outer cover, rr. Crankcase	1

FIG. 19 FRAME

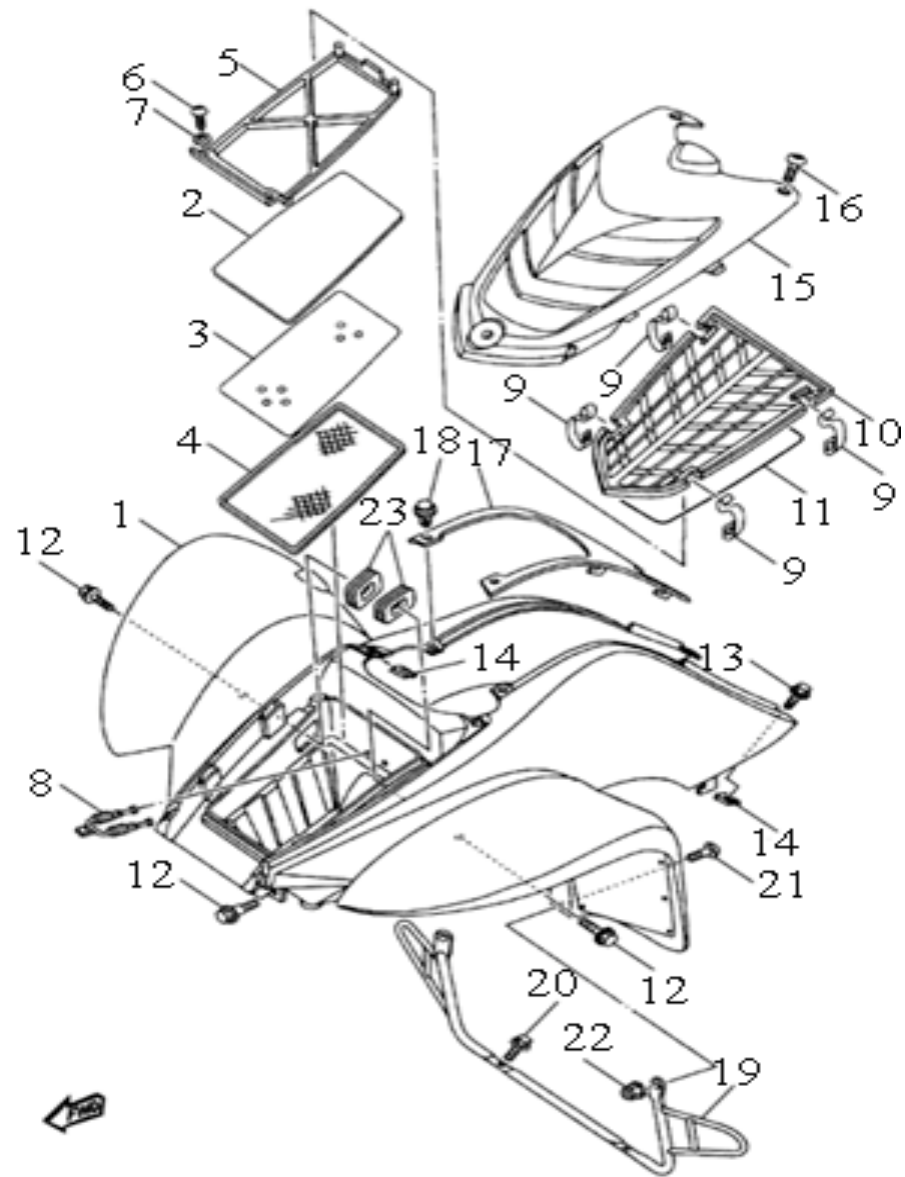


ATV110 PARTS CATALOG

REF.NO	PART NO.	DESCRIPTION	UNIDAD
R19-1	500101	Frame comp.	1
R19-2	SA08B5	Bolt, flange M8×115	2
R19-3	M60800	Nut, self-locking M8	2
R19-4	501168	Nipple, grease	1
R19-5	501167	Bush	1
R19-6	501169	Bush	1
R19-7	912205	Bush	2
R19-8	906212	Pipe	1

VEHICLE BODY PARTS

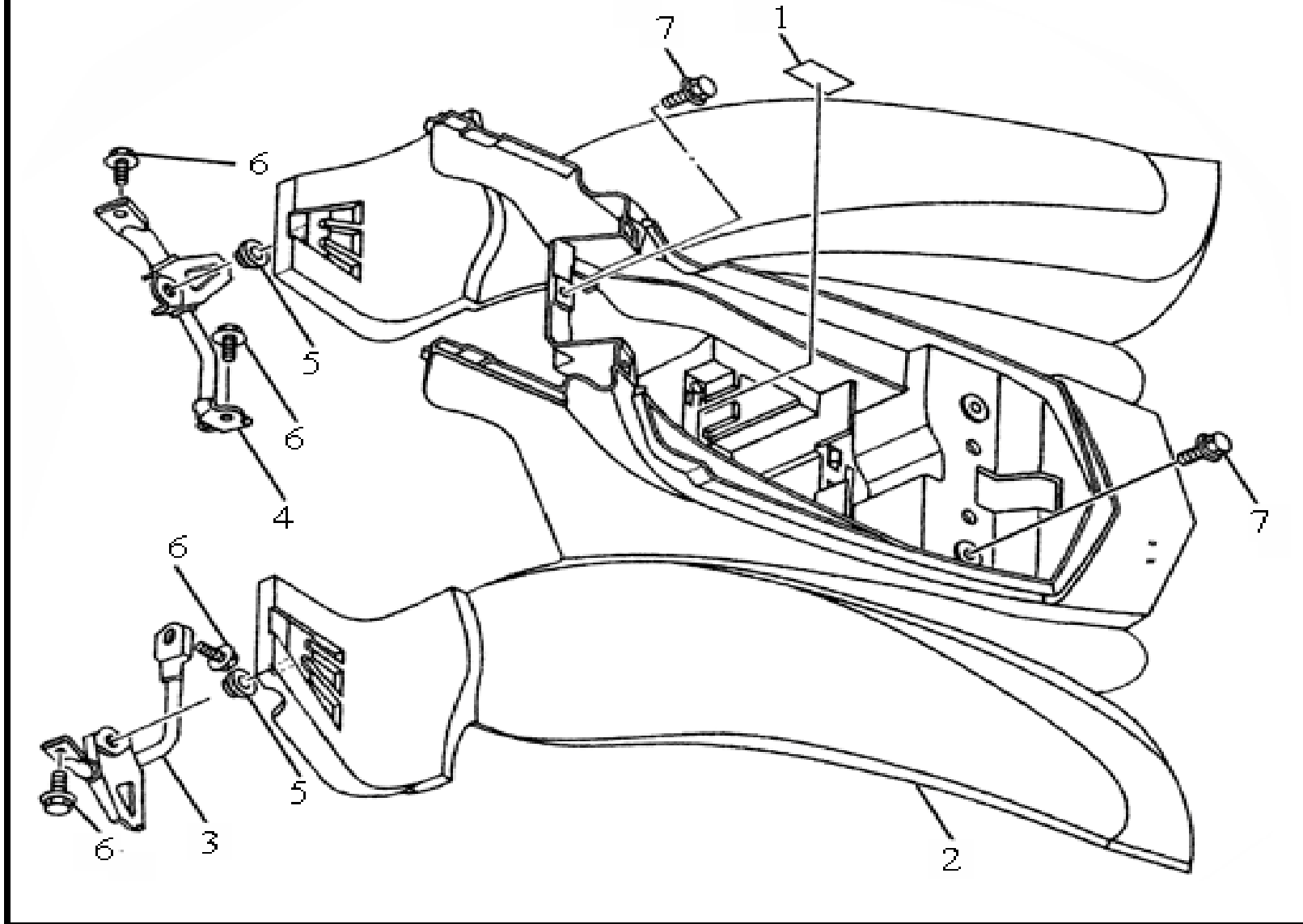
FIG. 20 FRONT FENDER



ATV110 PARTS CATALOG

REF.NO	PART NO.	DESCRIPTION	UNIDAD
R20-1	806100	Front fender comp.	1
R20-2	115300	Pilot, air cleaner	1
R20-3	115006	Plate	1
R20-4	115301	Plate, element	1
R20-5	115008	Guide	2
R20-6	G04016	Screw, tapping M4×16	2
R20-7	Q20500	Washer Φ5	1
R20-8	115009	Plug	4
R20-9	115011	Hook	1
R20-10	115010	Cap, cleaner case 1	1
R20-11	115007	Seal	1
R20-12	SB0616	Bolt M6×16	2
R20-13	SB0616	Bolt, with washer M6×16	2
R20-14	TE4123-051619	Nut, spring m5	4
R20-15	810000	Fr. Cover	1
R20-16	D10512	Bolt, hexagon socket head	2
R20-17	803400	Cover, top	1
R20-18	911107	Rivet	2
R20-19	806073	Stay, fender 1	1
R20-20	SA0612	Bolt, flange M6×12	2
R20-21	D10518	Screw, binding M5×18	2
R20-22	MC0500	Nut, self-locking M5	2
R20-23	115073	Duct	2

FIG. 21 REAR FENDER



ATV110 PARTS CATALOG
PART NO.

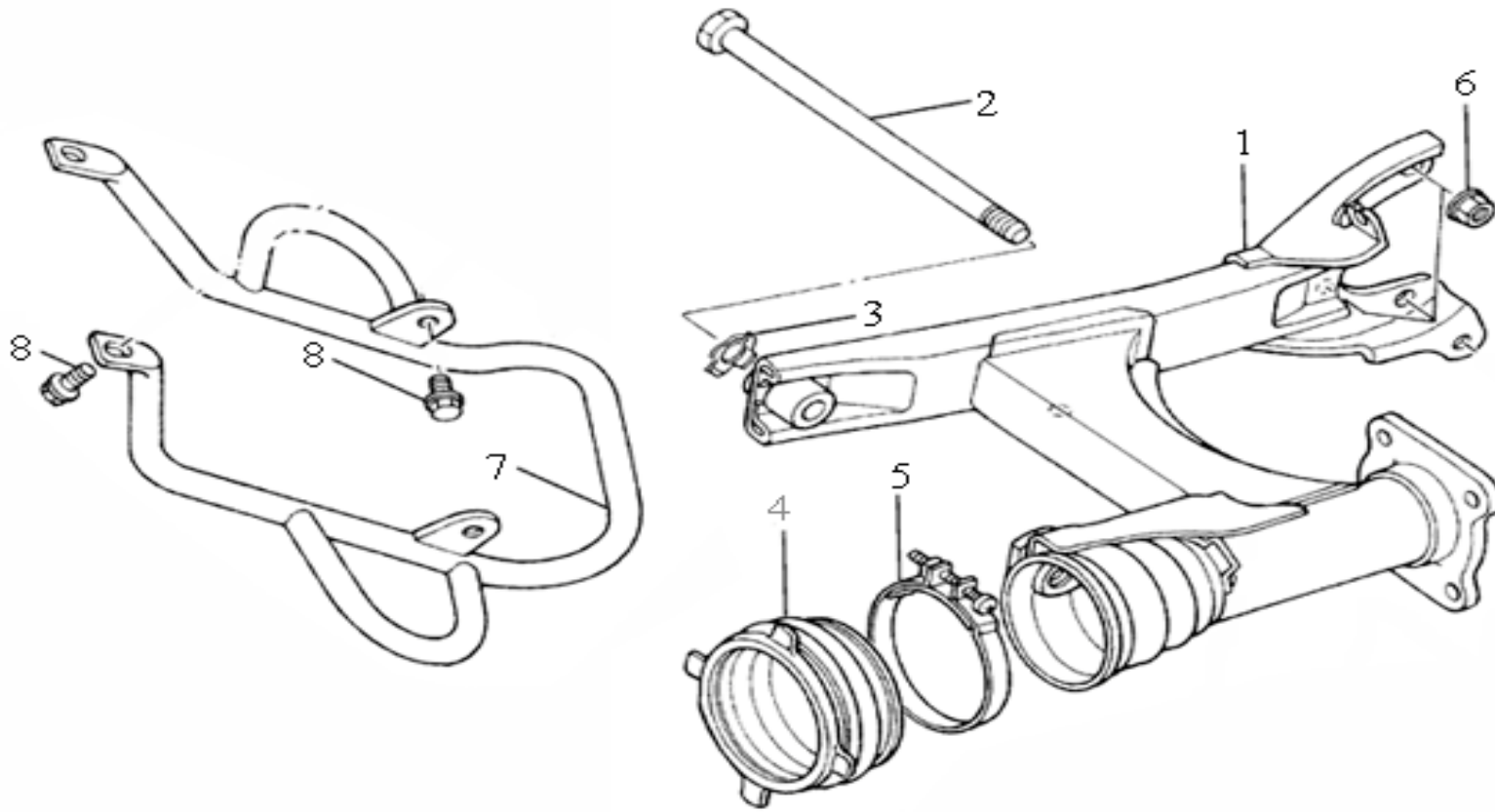
REF.NO

DESCRIPTION

UNIDAD

R21-1	303273	Damper	5
R21-2	807100	Rear fender comp.	1
R21-3	815273	Stay, fender 1	1
R21-4	815274	Stay, fender 2	1
R21-5	815277	Grommet	2
R21-6	SA0812	Bolt, flange M8×12	4
R21-7	SB0616	Bolt, with washer M6×16	4

FIG. 22 REAR ARM



ATV110 PARTS CATALOG
PART NO.

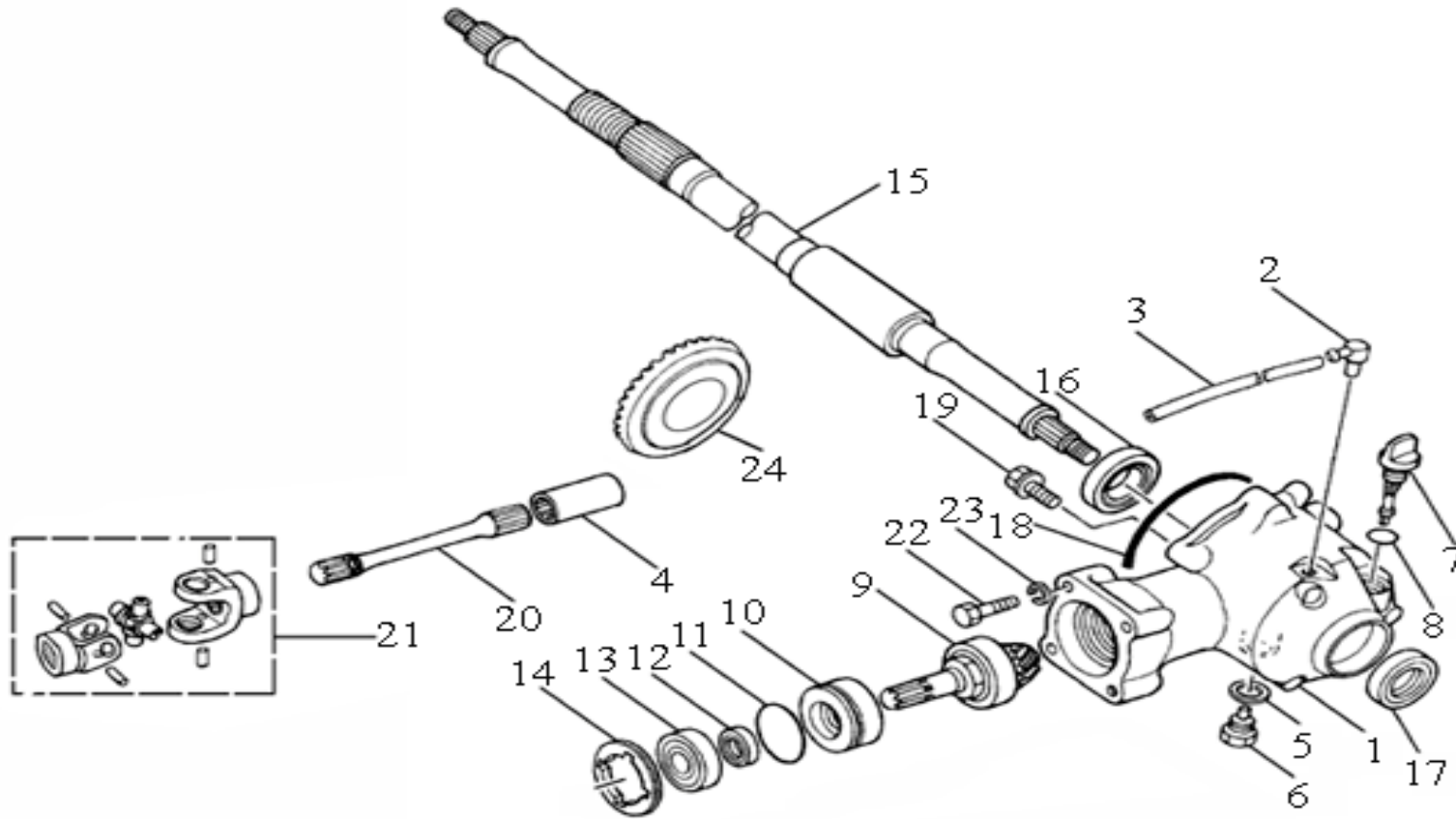
REF.NO

DESCRIPTION

UNIDAD

R22-1	508100	Rear fork comp.	1
R22-2	912104	Axle., rear fork	1
R22-3	508050	washer, plate	1
R22-4	508051	Boot, rubber	1
R22-5	508052	Clamp, hose	1
R22-6	MC1000	Nut, self-locking M10	3
R22-7	206171	Protecting rack	1
R22-8	SA0814	Bolt, flange M8×14	4

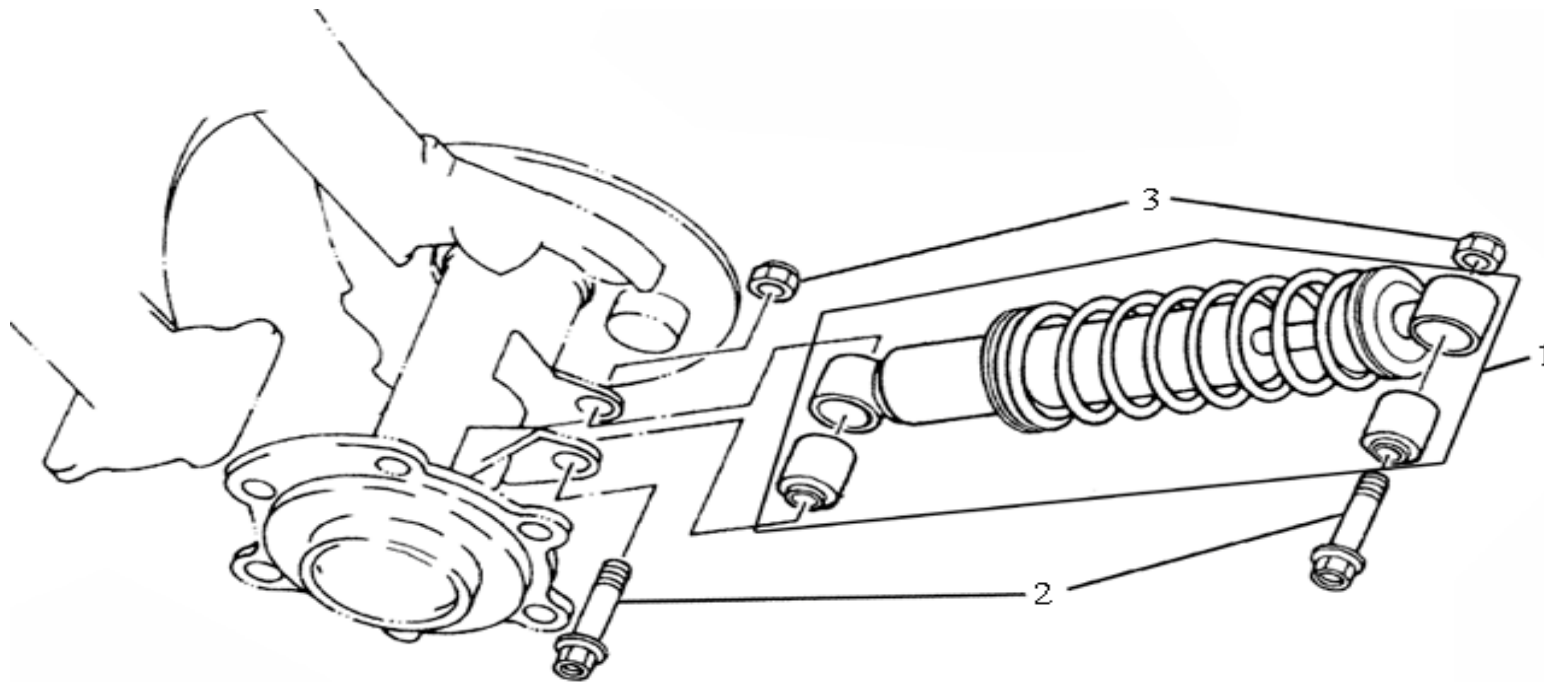
FIG. 23 DRIVE SHAFT



ATV110 PARTS CATALOG

REF.NO	PART NO.	DESCRIPTION	UNIDAD
R23-1	204205	Housing, drive shaft	1
R23-2	204206	Breather	1
R23-3	204201	Hose (I1200)	1
R23-4	204002	Coupling, gear	1
R23-5	t21900-14	Plug, straight screwΦ14	1
R23-6	SB1418-7	Gasket M14×1.5×18	1
R23-7	204209	Distick	1
R23-8	t51110-100014	O-ring Φ14	1
R23-9	20420110	Drive pinion comp.	1
R23-10	204210	Spacer	1
R23-11	t51110-130043	O-ring Φ130	1
R23-12	204221	Oil seal	1
R23-13	c0-6303rs	Bearing B6303RS	1
R23-14	204212	Nut	1
R23-15	204204	Rear axle	1
R23-16	C0-6006	Bearing 6006	1
R23-17	204222	Oil seal	1
R23-18	204224	O-ring	1
R23-19	sB0616	Bolt, flange M6×16	1
R23-20	204002	Drive shaft	1
R23-21	204700	Univer sal joint	1
R23-22	s50823	Bolt M8×60	4
R23-23	q00800	Washer, spring Φ8	4
R23-24	204202	Driven gear	1

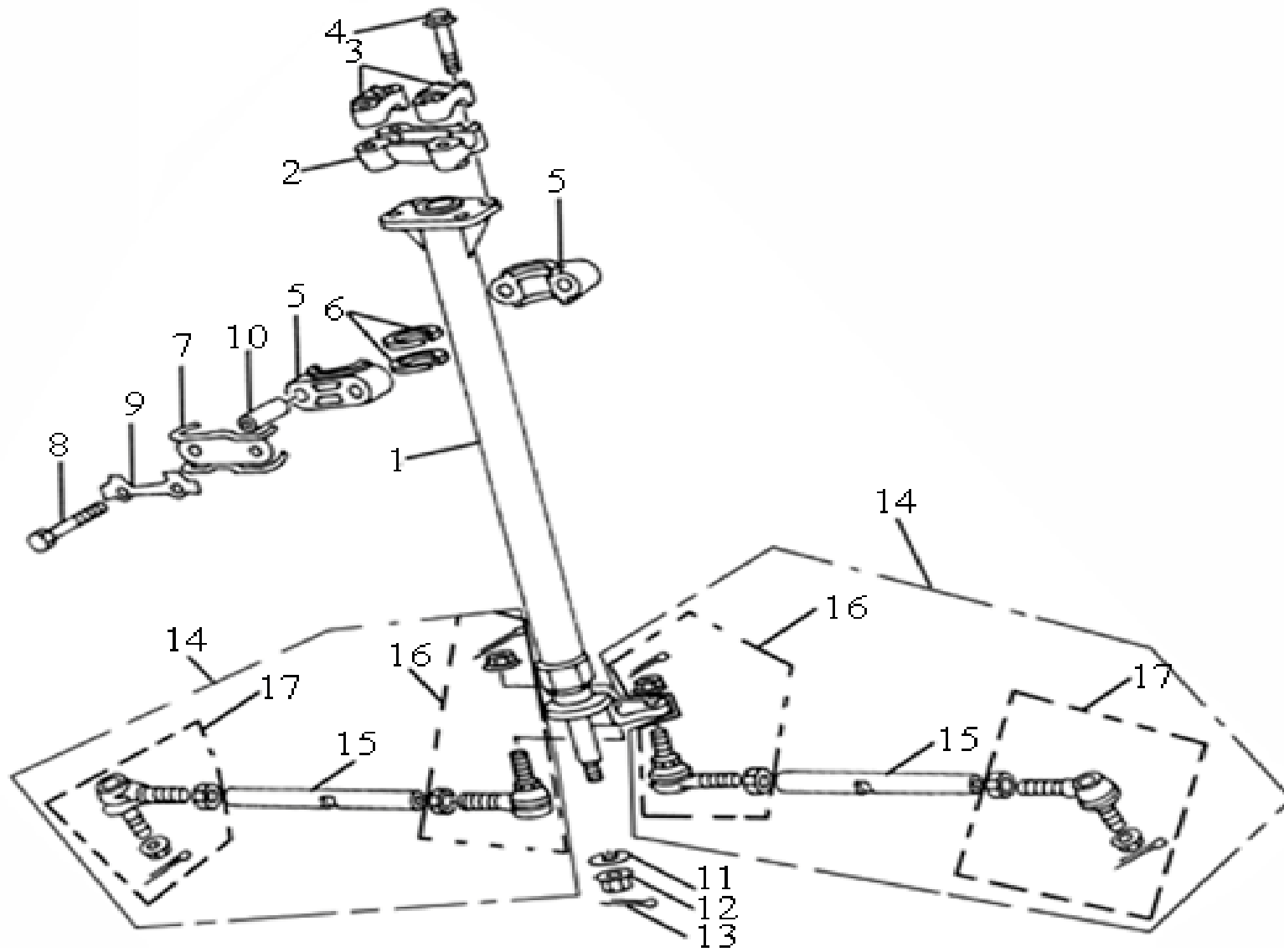
FIG. 24 REAR SUSPENSION



ATV110 PARTS CATALOG

REF.NO	PART NO.	DESCRIPTION	UNIDAD
R24-1	506100	Shock absorber assy, rear	1
R24-2	SA1048	Bolt, flange M10×48	2
R24-3	MC1000	Nut, self-locking M10	2

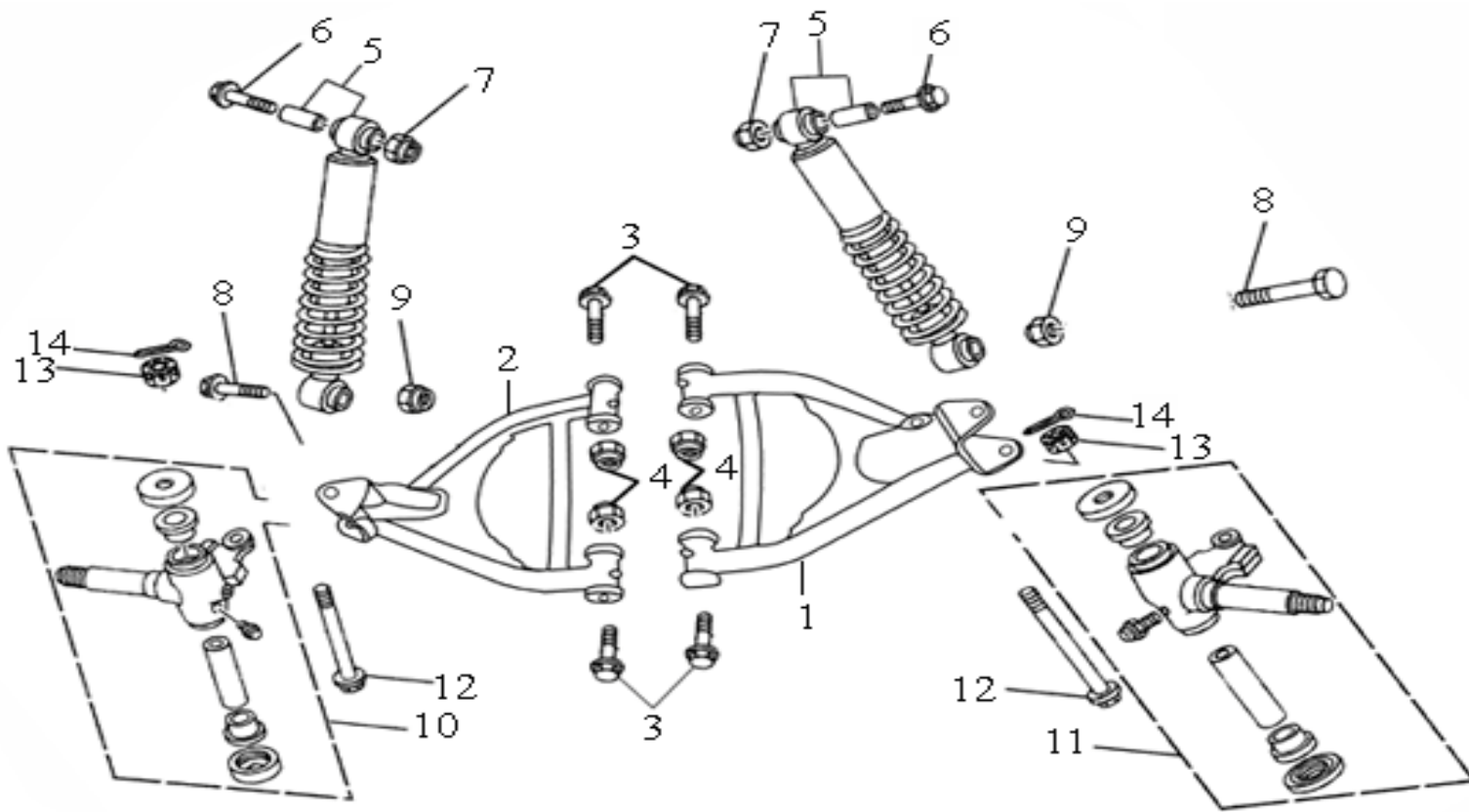
FIG. 25 STEERING



ATV110 PARTS CATALOG

REF.NO	PART NO.	DESCRIPTION	UNIDAD
R25-1	611200	Column, steering	1
R25-2	611002	Holder, handle under	1
R25-3	611001	Holder, handle	2
R25-4	sa0855	Bolt, flange M8×55	4
R25-5	611018	Plane bearing, steering	2
R25-6	611019	Oil seal	2
R25-7	611015	Bracket, steering loeer	1
R25-8	611017	Bolt	2
R25-9	611016	Washer, lock 1	1
R25-10	611021	Collar	2
R25-11	q51000	Washer, plate Φ10	1
R25-12	mc1000	Nut, self-locking M10	1
R25-13	x02020	Cotter-pin 2×10	1
R25-14	611500	Linkage comp	2
R25-15	611501	Tire rod	2
R25-16	611502	Linkage, tire rod (inner)	2
R25-17	611503	Linkage, tire rod (outter)	2

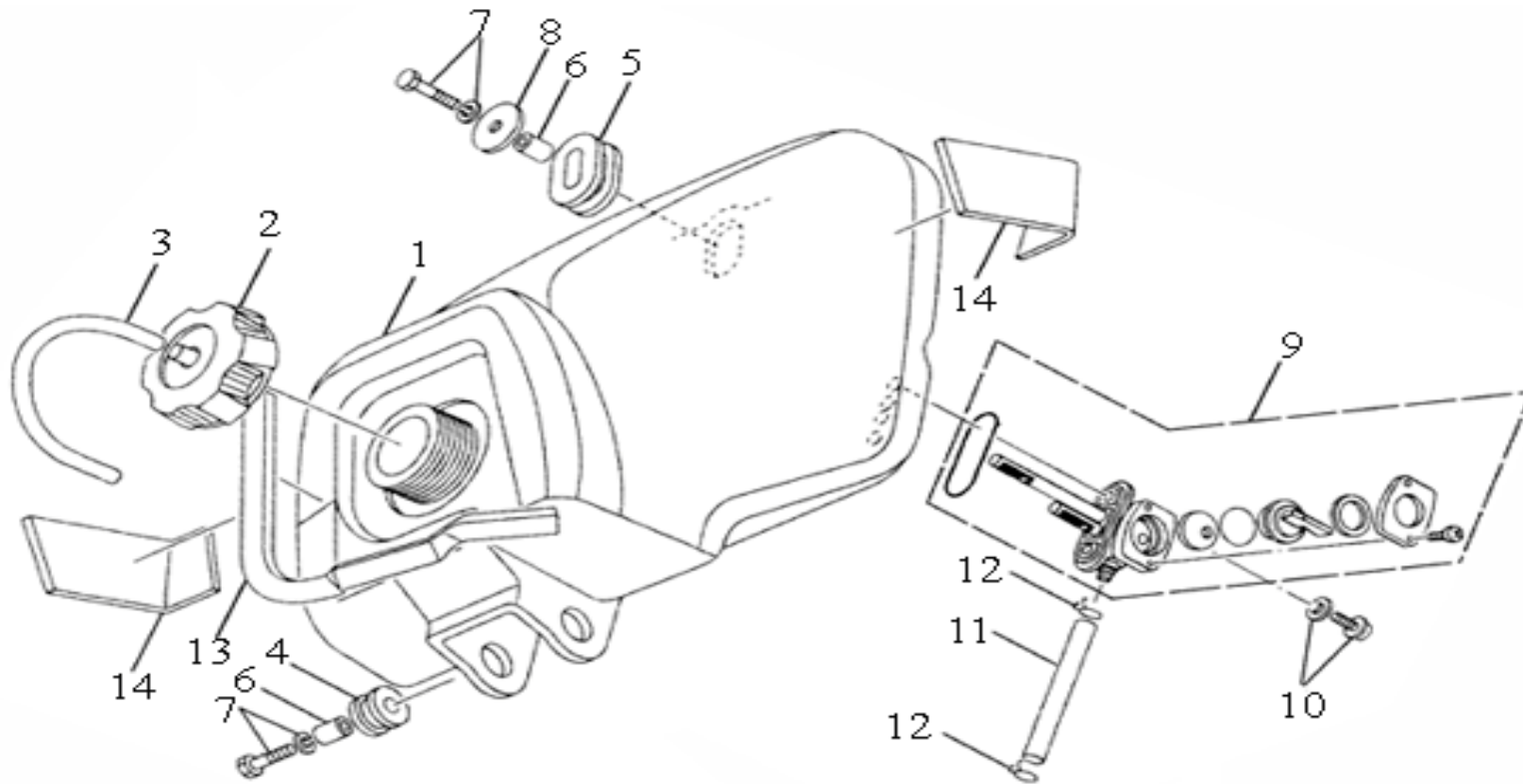
FIG. 26 FRONT SUSPENSION



ATV110 PARTS CATALOG

REF.NO	PART NO.	DESCRIPTION	UNIDAD
R26-1	525200-0010010	Left lower arm comp	1
R26-2	525300-0010010	Right lower arm comp	1
R26-3	S51270	Bolt M12×70	4
R26-4	MC1200	Nut, self-locking M12	4
R26-5	505100-0030010	Shock absorber assy	2
R26-6	SA1040	Bolt, flange M10×40	2
R26-7	MC1000	Nut, self-locking M10	2
R26-8	SA1243	Bolt, flange M12×43	2
R26-9	MC1200	Nut, self-locking M12	2
R26-10	525400-0010010	Steering knuckle assy (right)	1
R26-11	525400-0010010	Steering knuckle assy (left)	1
R26-12	S51270-6	Bolt M12×70×1.25	2
R26-13	ME1200-6	Nut castle M12×1.25	2
R26-14	X02020	Cotter-pin	2

FIG. 27 FUEL TANK



ATV110 PARTS CATALOG

REF.NO	PART NO.	DESCRIPTION	UNIDAD
R27-1	801500	Fuel tank comp.	1
R27-2	804000	Cap assy	1
R27-3	911110	Hose (I340)	1
R27-4	801084	Grommet	1
R27-5	801084	Grommet	1
R27-6	912219	Bush	2
R27-7	H10630	Bolt M6×30	1
R27-8	Q10600	Washer, plate Φ6	1
R27-9	803000	Fuel cock comp.	1
R27-10	H10616	Screw M6×16	2
R27-11	801086	Hose(I145)	1
R27-12	801088	Clip	2
R27-13	905012	Damper, locating 1	1
R27-14	905003	Damper	2

ATV110 PARTS CATALOG
PART NO.

REF.NO

DESCRIPTION

UNIDAD

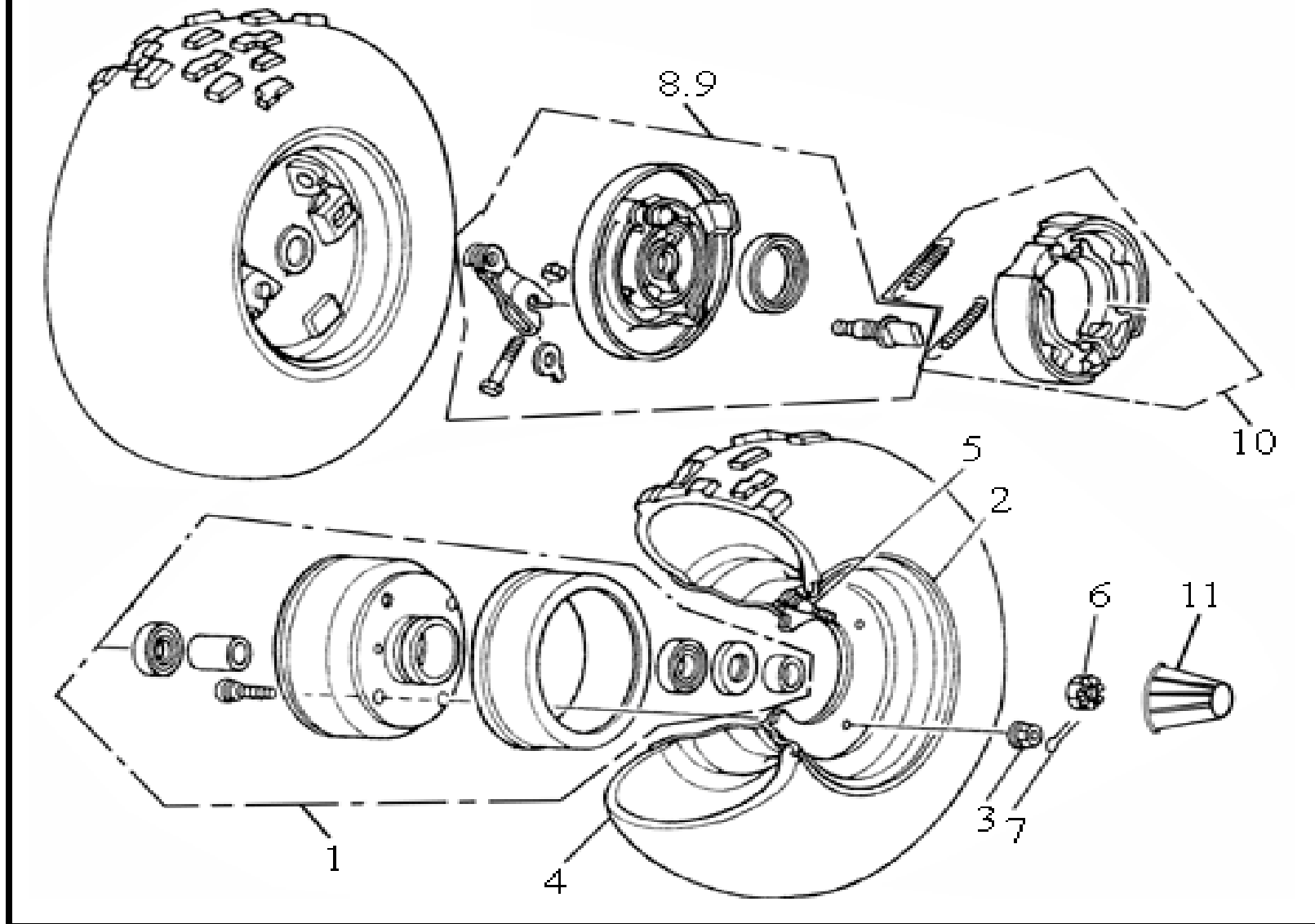
R28-1

701000

Single seat assy

1

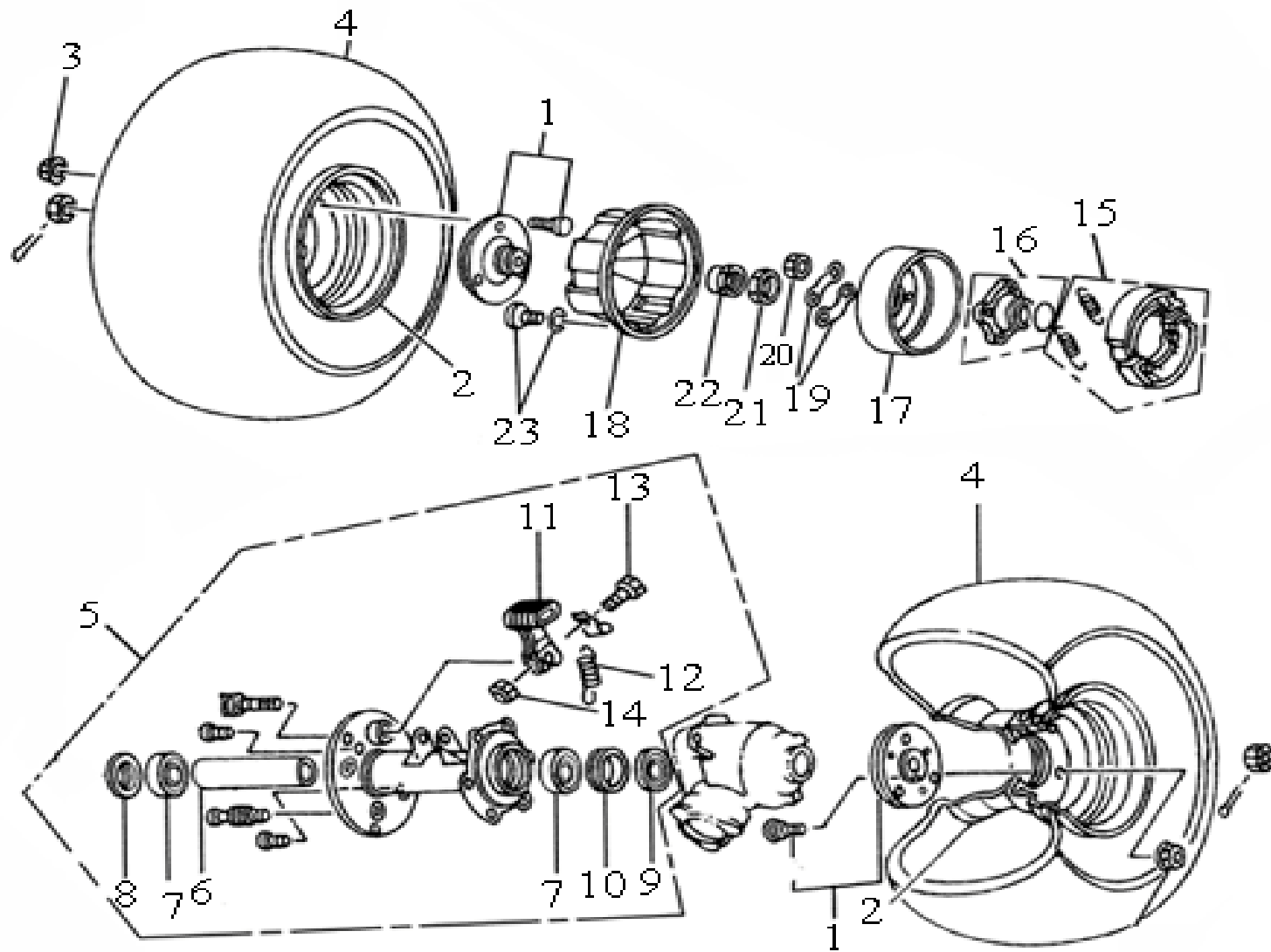
FIG. 29 FRONT WHEEL



ATV110 PARTS CATALOG

REF.NO	PART NO.	DESCRIPTION	UNIDAD
R29-1	406300	Fr. brake assy	2
R29-2	401100	Fr. wheel comp	2
R29-3	mc0800	Nut,flange M8	8
R29-4	4020010	Tire front(19×7.8)	2
R29-5	401171	Valve, tubeless	4
R29-6	ME1400	Nut,castle M14	4
R29-7	x03540	Pin,cotter 3.5×40	4
R29-8	406401	Seat, l. Fr. brake	1
R29-9	406501	Seat, r. Fr. brake	1
R29-10	406200	Fr. brake shoe	2
R29-11	401107	Dust-proof, boot Fr. wheel	4

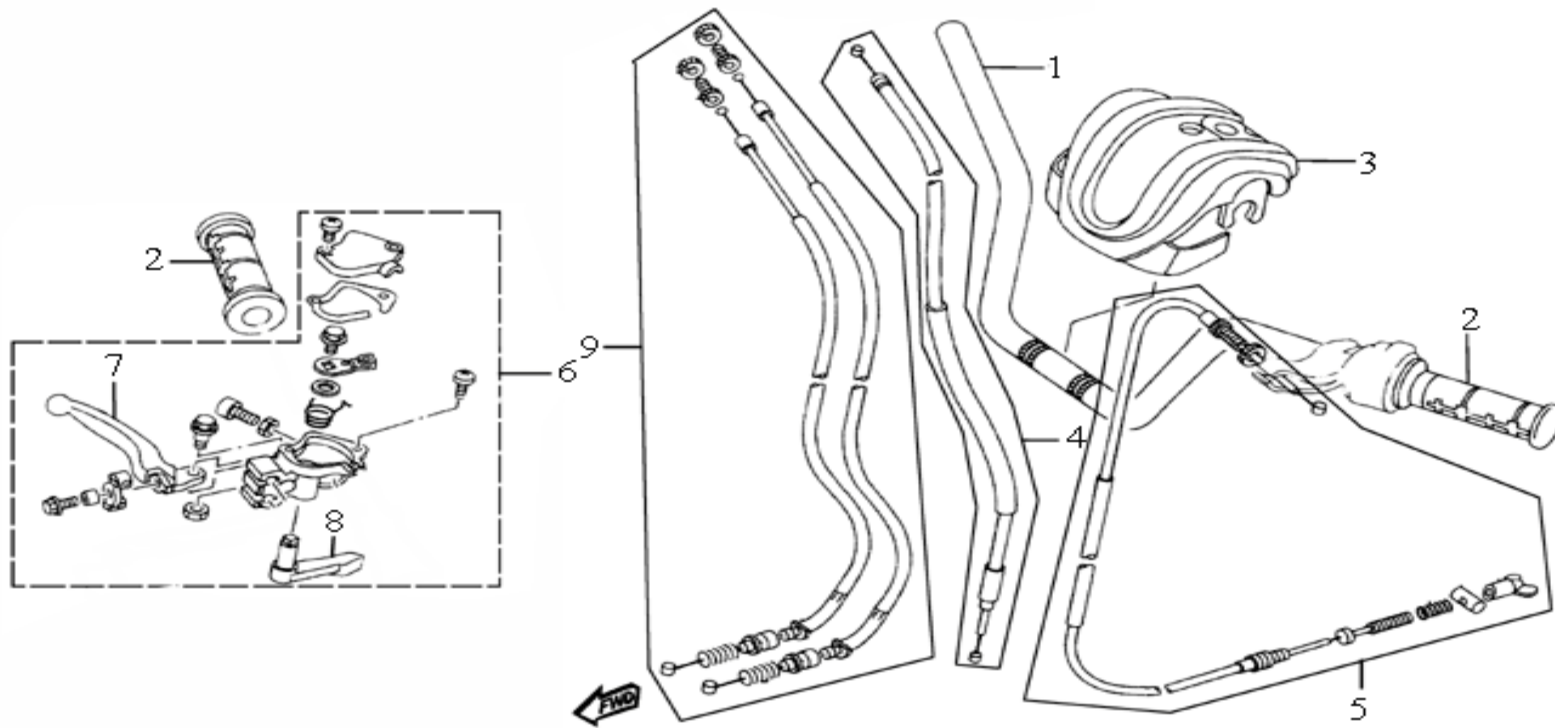
FIG. 30 REAR WHEEL



ATV110 PARTS CATALOG

REF.NO	PART NO.	DESCRIPTION	UNIDAD
R30-1	403071	Collar, wheel	2
R30-2	403100	Wheel drum	2
R30-3	M80800	Nut, flange M8	12
R30-4	404001	Tire (18×9.50-8)	2
R30-5	206100	Hvb, bear camp	1
R30-6	206104	Spacer, bearing	2
R30-7	C0-6006	Bearing 6006	2
R30-8	GB/T 62105832-8.1-2000	Oil seal 36×60×6	1
R30-9	GB/T 62105832-8.1-2000	Oil seal 38×55×7	1
R30-10	206105	Ring	1
R30-11	407002	Rr. brake lever	1
R30-12	407010	Return spring	1
R30-13	S50635	Bolt M6×35	1
R30-14	M10600	Nut M6	1
R30-15	4071200	Brake shoe set	1
R30-16	407305	Boss	2
R30-17	407301	Drum, brake	1
R30-18	407304	Dust boot	1
R30-19	407303	Washer	2
R30-20	M10800	Nut M8	2
R30-21	407073	Nut M28×1.5 ×11.5	1
R30-22	407074	Nut M28×1.5 ×22	1
R30-23	H10612	Screw M6×12	3

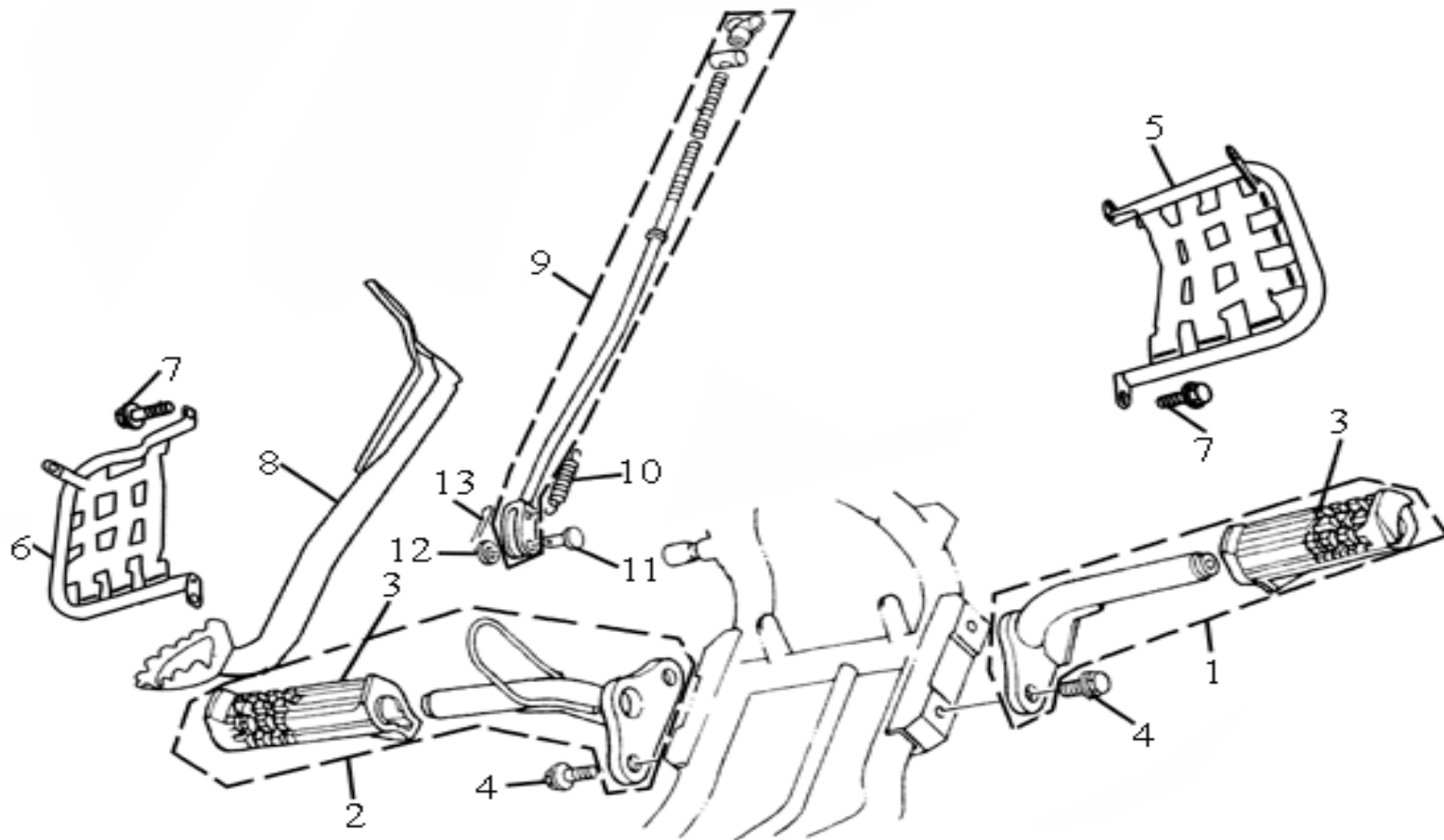
FIG. 31 STEERING HANDLE & CABLE



ATV110 PARTS CATALOG

REF.NO	PART NO.	DESCRIPTION	UNIDAD
R31-1	601001	Handlebar	1
R31-2	602100	Grip	2
R31-3	812490	Protector, handlebar	1
R31-4	607000	Cable, throttle 1	1
R31-5	610000	Cable, r. Brake	1
R31-6	602200	Accelerator	1
R31-7	324303	Lever, f. Brake	1
R31-8	324331	Lever, throttle	1
R31-9	605000	Cable, f. Brake	2

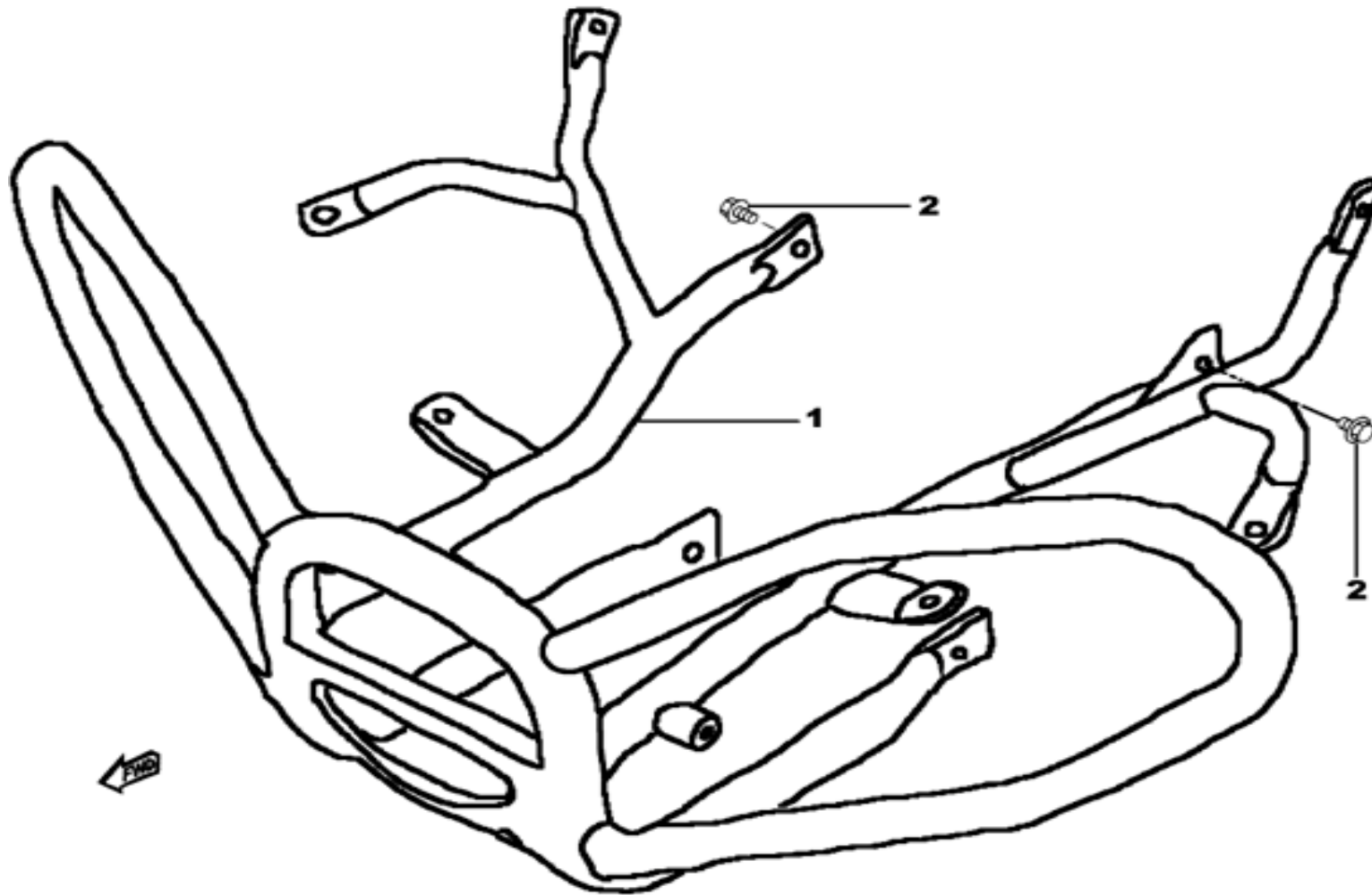
FIG. 32 STAND. FOOTREST



ATV110 PARTS CATALOG

REF.NO	PART NO.	DESCRIPTION	UNIDAD
R32-1	511000	Footrest L	1
R32-2	512000	Footrest R	1
R32-3	510003	Cover, footrest	2
R32-4	sa1225	Bolt, flange M12×5	4
R32-5	522100	L. footrest	1
R32-6	522200	R. footrest	1
R32-7	SB1012	Bolt M10×12	1
R32-8	408201	Pedal, Rr.brake	1
R32-9	408100	RR. brake cable	1
R32-10	408271	Spring, tension	1
R32-11	x20620	Pin, clevis 0.6×20	1
R32-12	q20600	Washer Φ6	1
R32-13	x01520	cotter pin 1.5×20	1

FIG. 33 GUARD



ATV110 PARTS CATALOG**REF.NO****PART NO.****DESCRIPTION****UNIDAD**

R33-1

519100

Fr. bumper

1

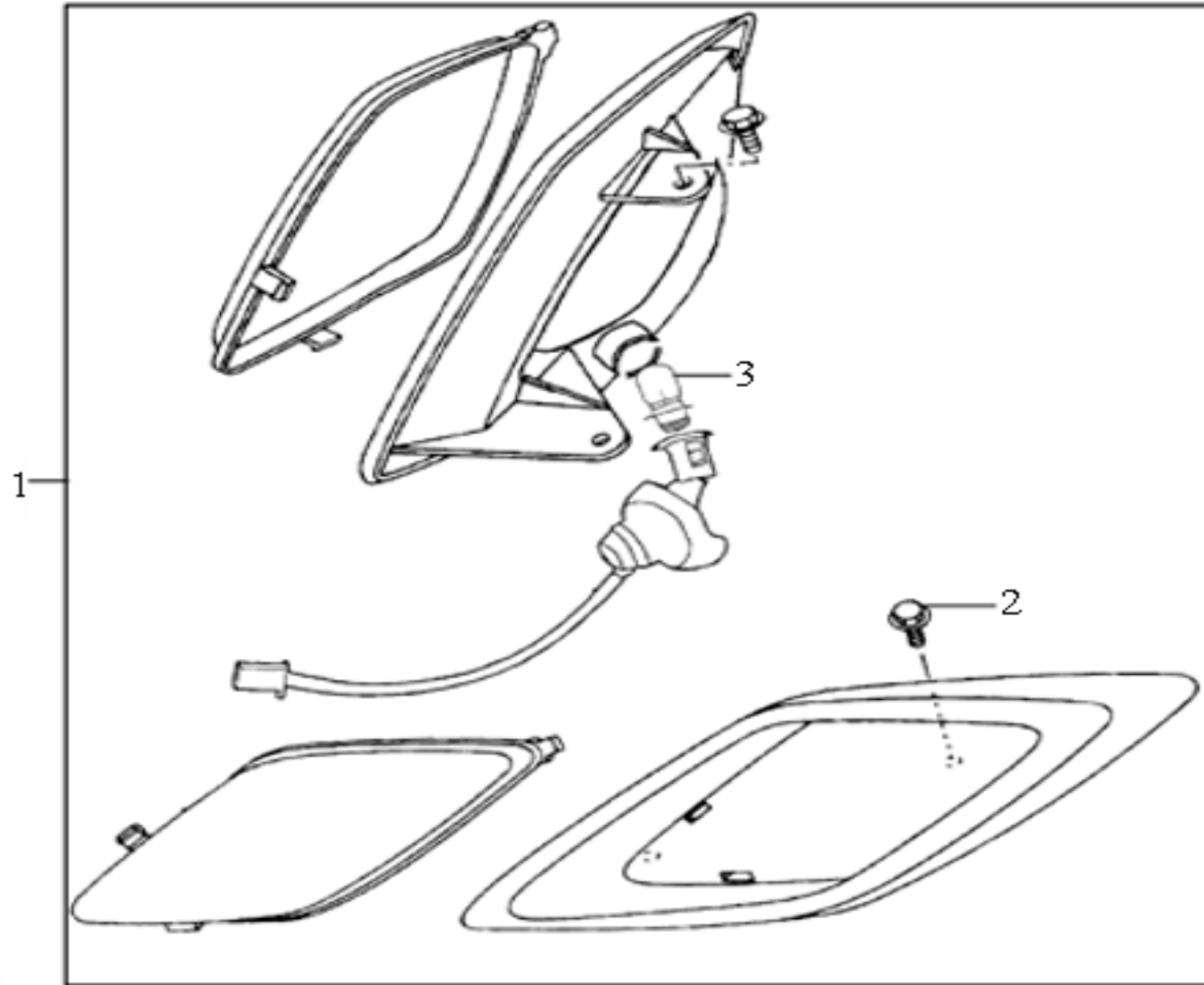
R33-2

SA0812

Bolt, flange M8×12

4

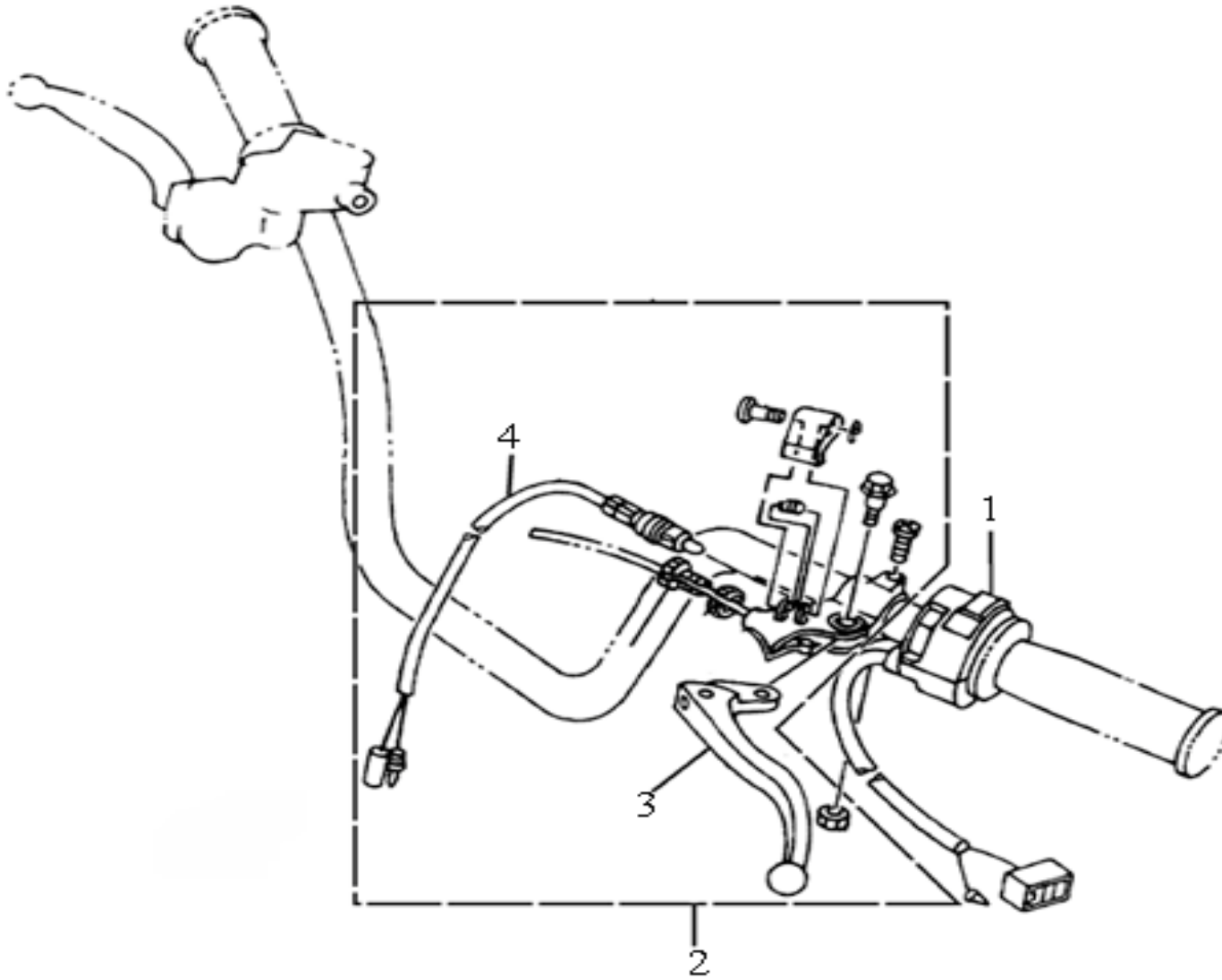
FIG. 34 HEADLIGHT



ATV110 PARTS CATALOG

REF.NO	PART NO.	DESCRIPTION	UNIDAD
R34-1	314000	Lens, headlight	2
R34-2	SA0616	Bolt M6×16	2
R34-3	314002	Headlight bulb	2

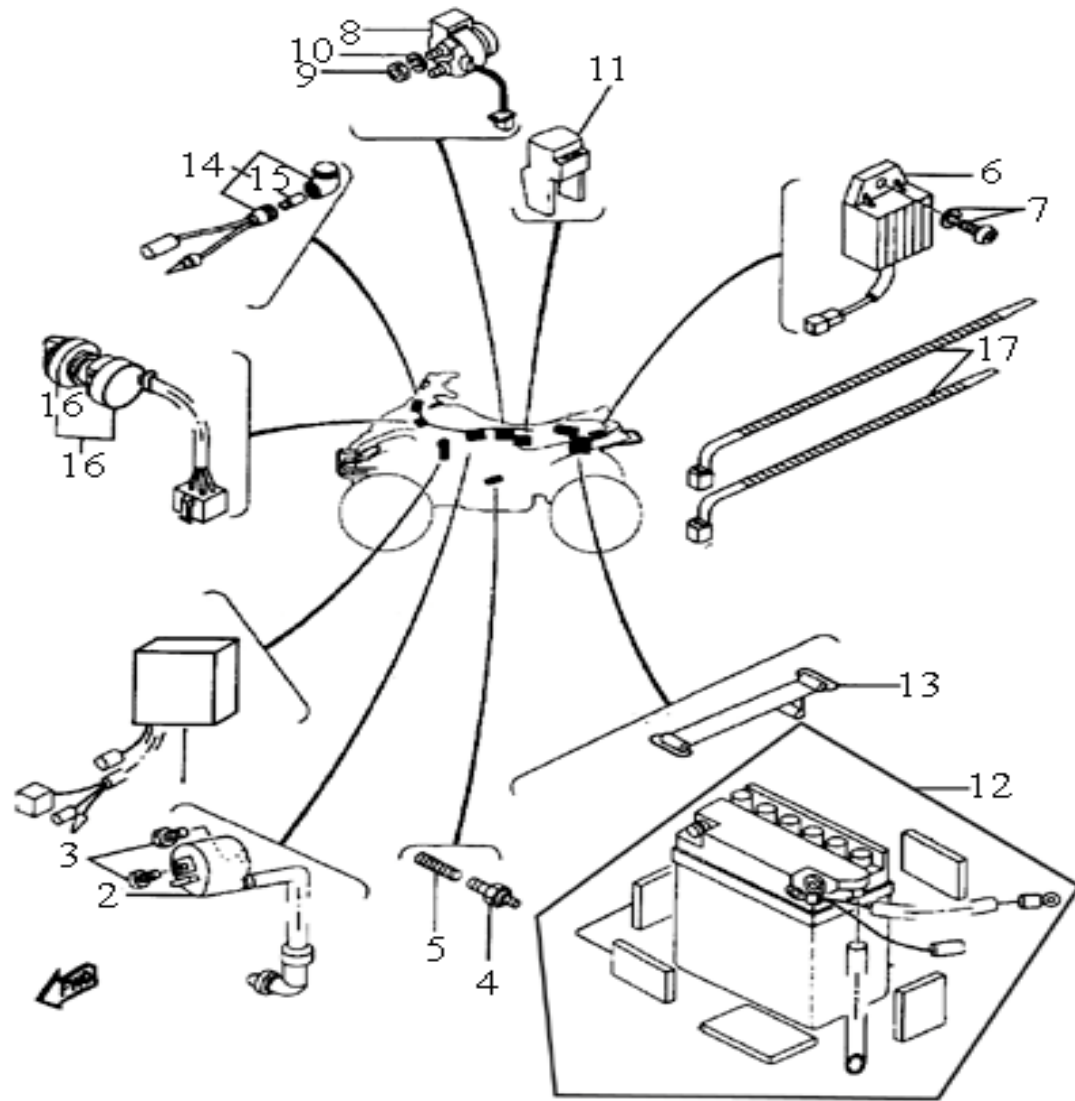
FIG. 35 HANDLE SWITCH



ATV110 PARTS CATALOG

REF.NO	PART NO.	DESCRIPTION	UNIDAD
R35-1	324200	Switch, handle 2	1
R35-2	603000	Lever. L. comp	1
R35-3	324216	Lever, RR. brake	1
R35-4	324217	Front stop switch comp	1

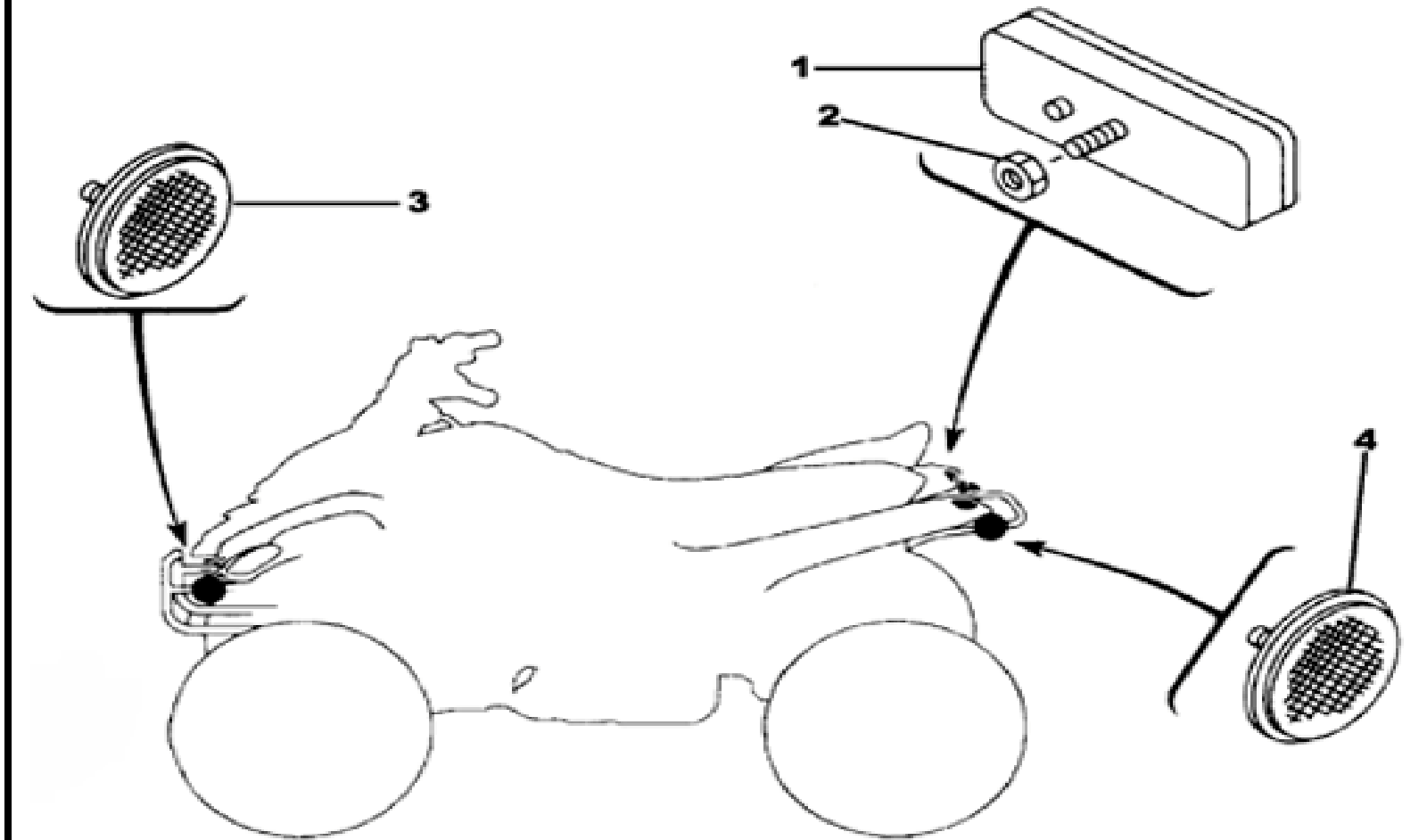
FIG. 36 ELECTRICAL 1



ATV110 PARTS CATALOG

REF.NO	PART NO.	DESCRIPTION	UNIDAD
R36-1	306000	C.d.i. Unit assy	1
R36-2	305000	Ignition coil assy	1
R36-3	305200	Plug cap assy	1
R36-4	324400	Stop switch	1
R36-5	408272	Spring switch	1
R36-6	302000	Rectifier®ulator assy	1
R36-7	h10616	Screw, pan head M6×16	1
R36-8	301000	Starter relay assy	1
R36-9	m10600	Nut M6	1
R36-10	q00600	Washer, spring Φ6	1
R36-11	350000	Relay assy	1
R36-12	303000	Battery assy	1
R36-13	303272	Band, battery	1
R36-14	323014	Neutral indicator	1
R36-15	307089	Gear indicator (14v-1.7w)	1
R36-16	324100	Ignition switch	1
R36-17	307071	Clamp, main cable	4

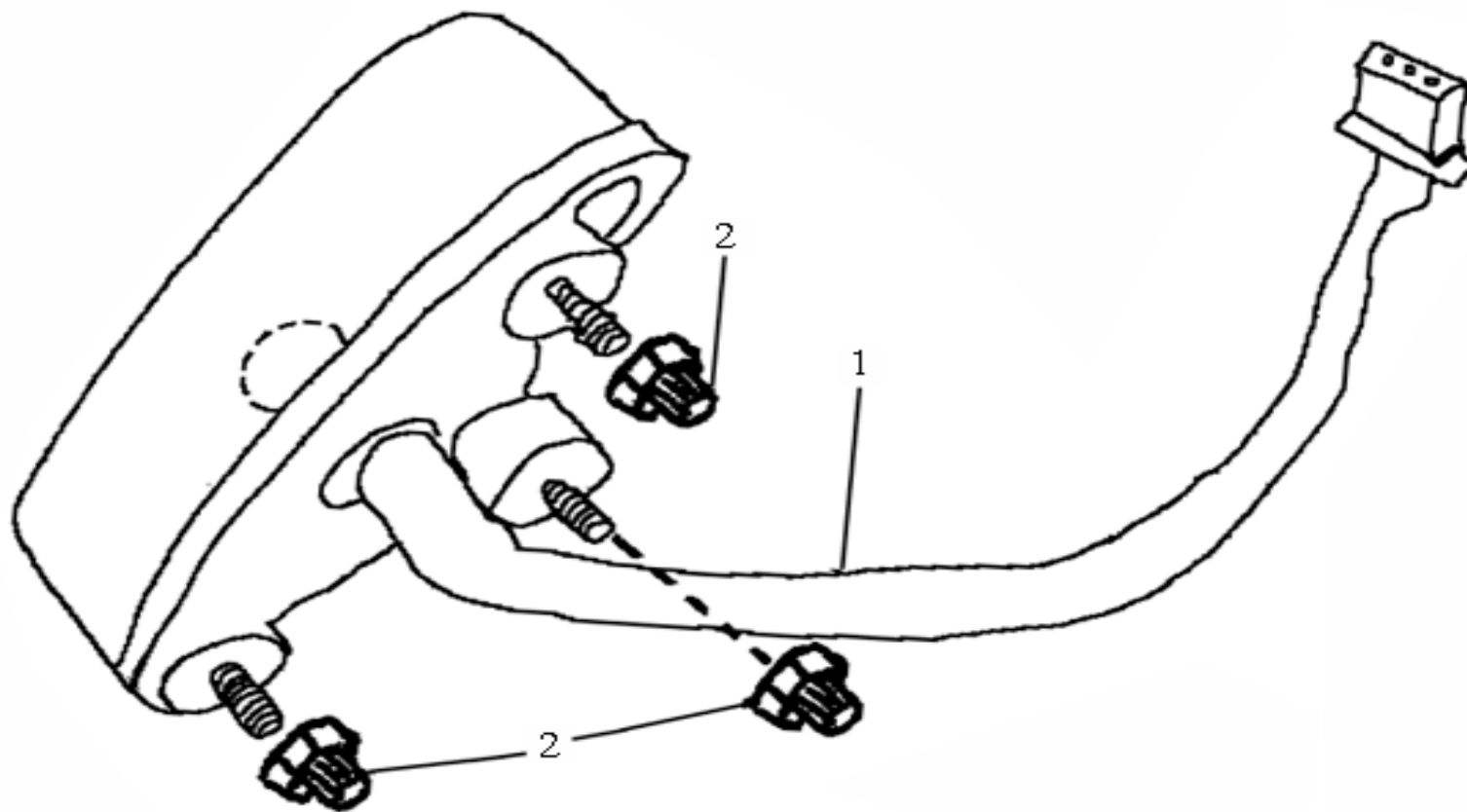
FIG. 37 ELECTRICAL 2



ATV110 PARTS CATALOG

REF.NO	PART NO.	DESCRIPTION	UNIDAD
R37-1	807400	Reflector	1
R37-2	mc0600	Nut M6	1
R37-3	310000	Reflector, F.	2
R37-4	310000	Reflector, R.	2

FIG. 38 REAR LAMP



ATV110 PARTS CATALOG**REF.NO****PART NO.****DESCRIPTION****UNIDAD**

R38-1

315000

Taillight

1

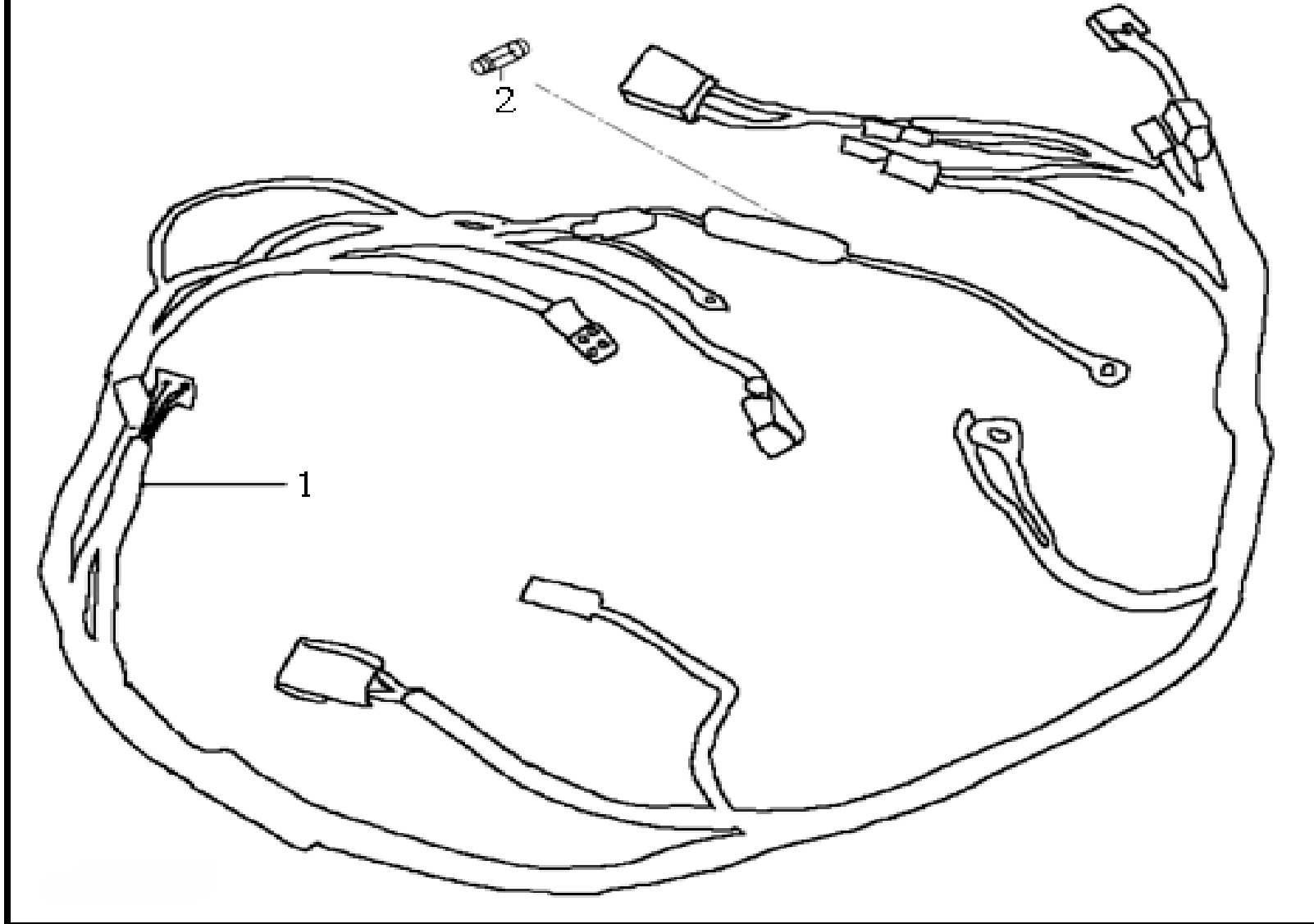
R38-2

MC0600

Nut M6

3

FIG. 39 WIRE HARNESS



ATV110 PARTS CATALOG**REF.NO****PART NO.****DESCRIPTION****UNIDAD**

R39-1

307000

Main cable

1

R39-2

307203

Fuse (5A)

1