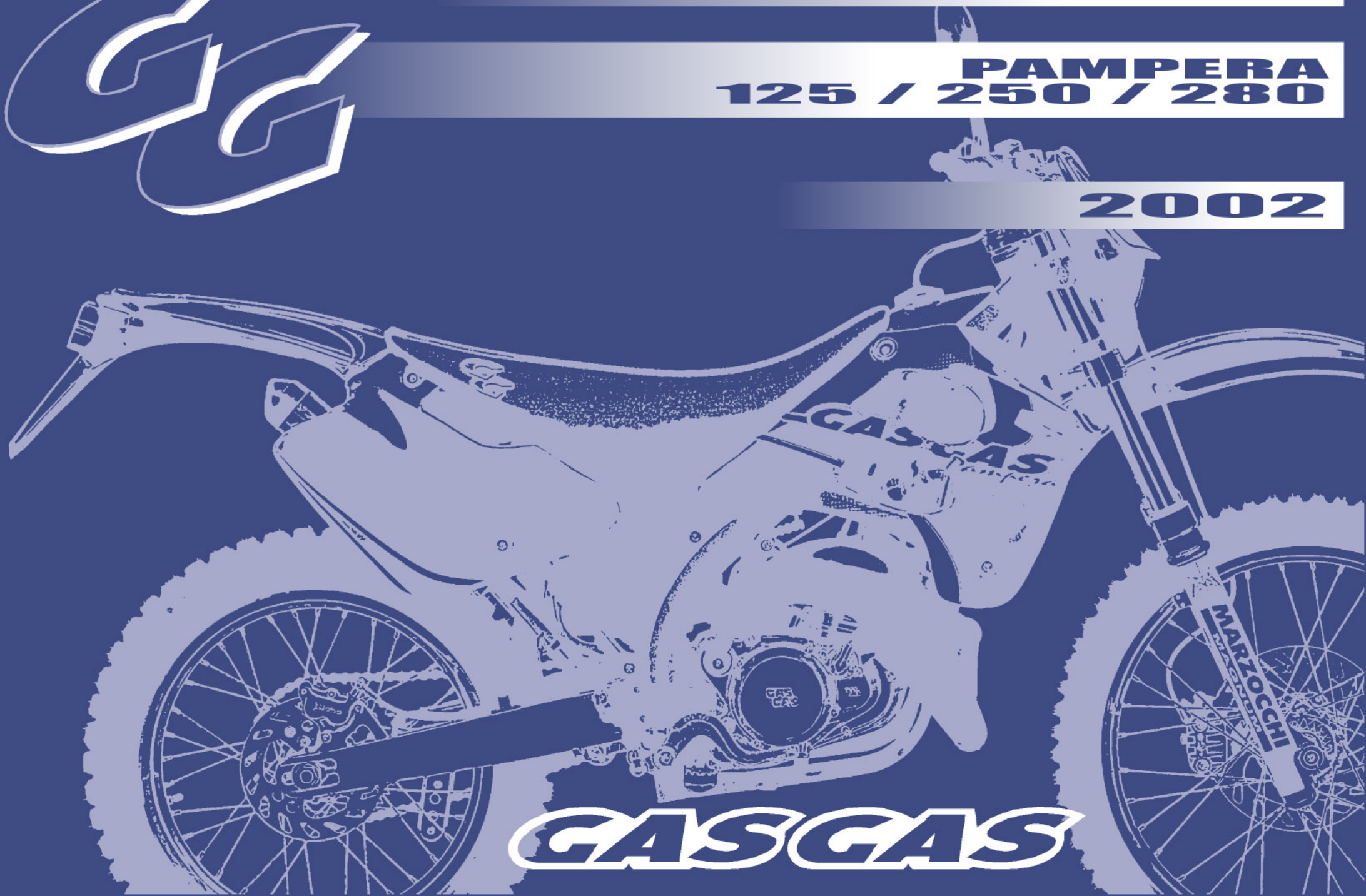




**DESPIECE / PART LIST**

**PAMPERA  
125 / 250 / 280**

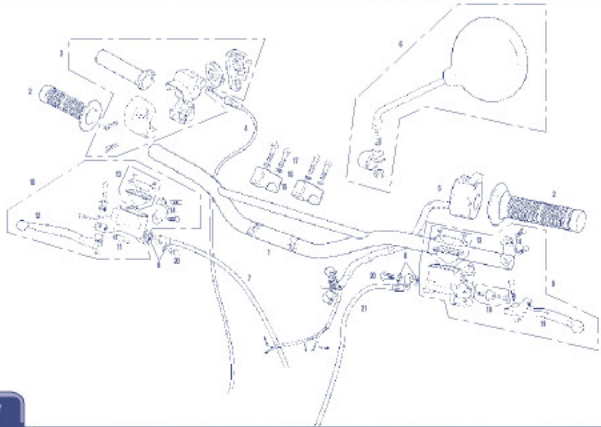
**2002**



**GAS GAS**

# CHASIS

Manillar / Handlebar **GASGAS** PAMPERA 2002



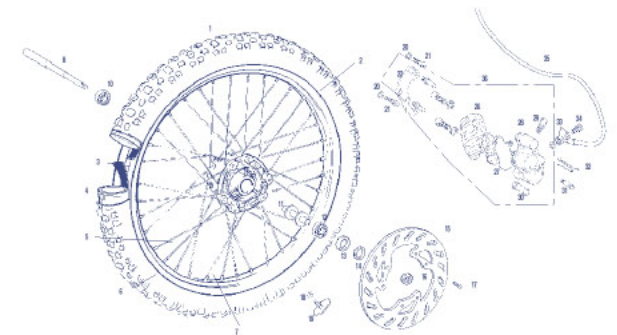
1

Suspension / Front fork **GASGAS** PAMPERA 2002



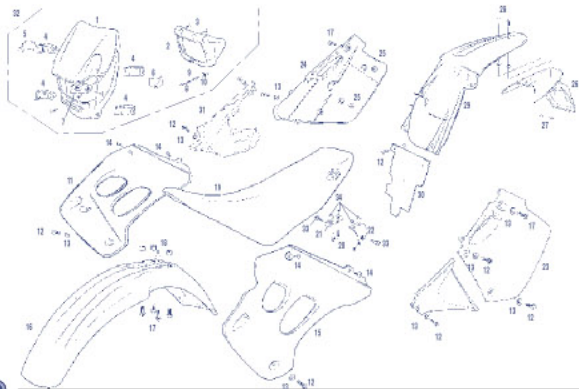
2

Rueda delantera / Front wheel **GASGAS** PAMPERA 2002



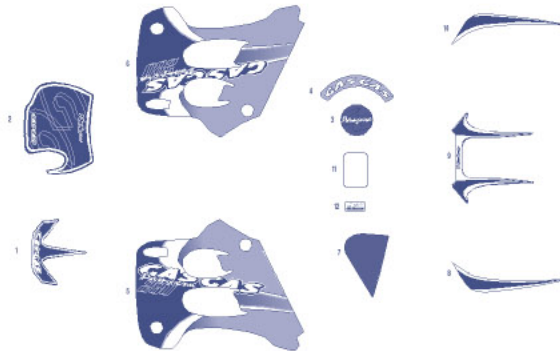
3

Plásticos / Plastics **GASGAS** PAMPERA 2002



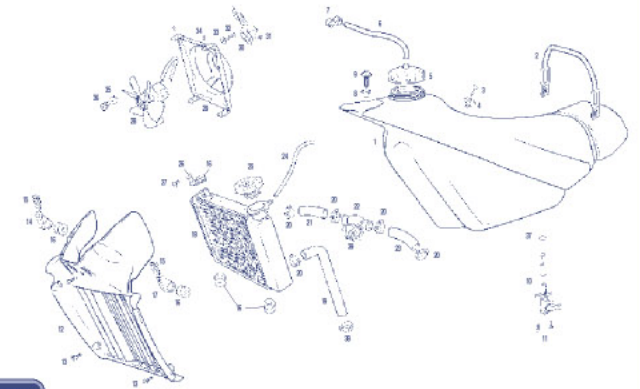
4

Adhesivos / Stickers **GASGAS** PAMPERA 2002



5

Depósito / Fuel tank **GASGAS** PAMPERA 2002



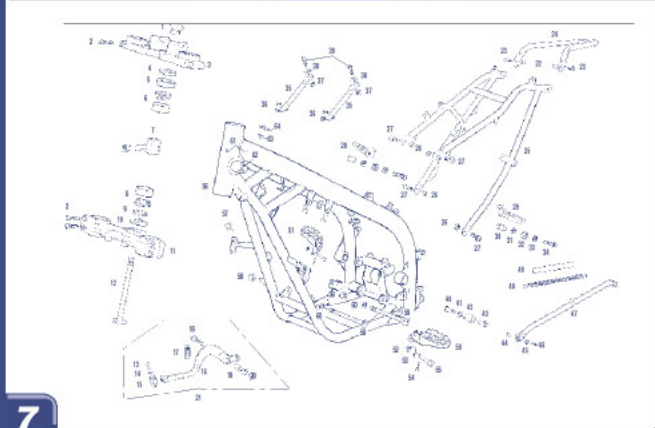
6

# DESPIECE



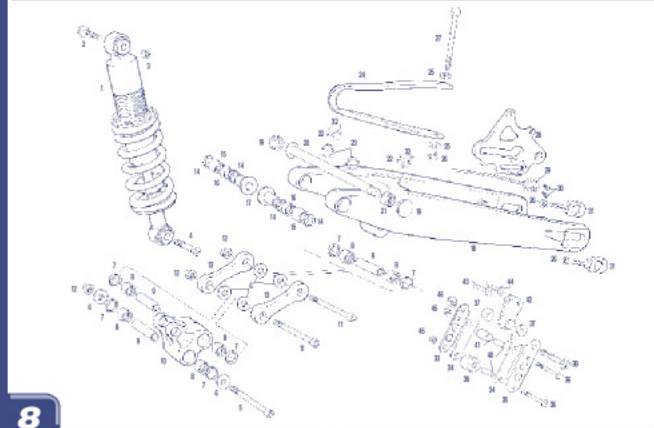
# FRAME

Chasis / Frame **GAS GAS** PAMPERA 2002



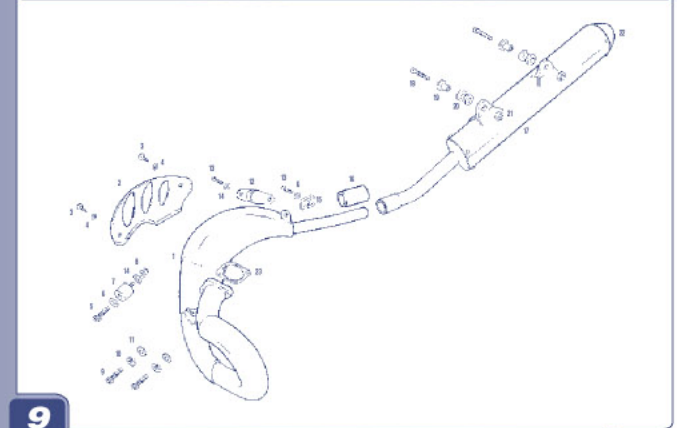
7

Basculante / Swingarm **GAS GAS** PAMPERA 2002



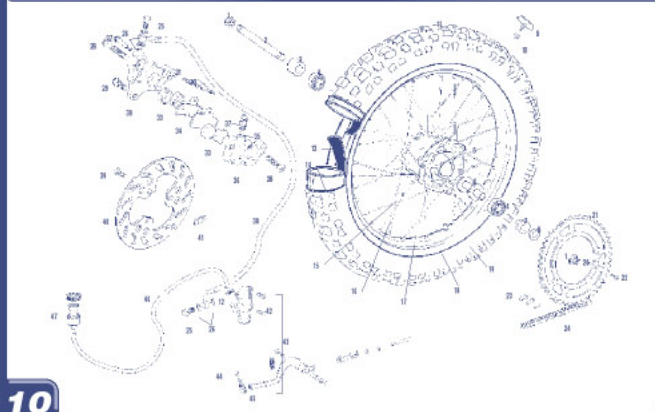
8

Escape / Exhaust **GAS GAS** PAMPERA 2002



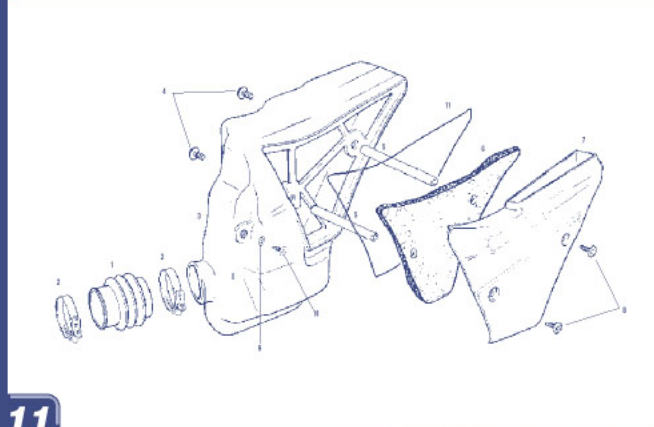
9

Rueda trasera / Rear wheel **GAS GAS** PAMPERA 2002



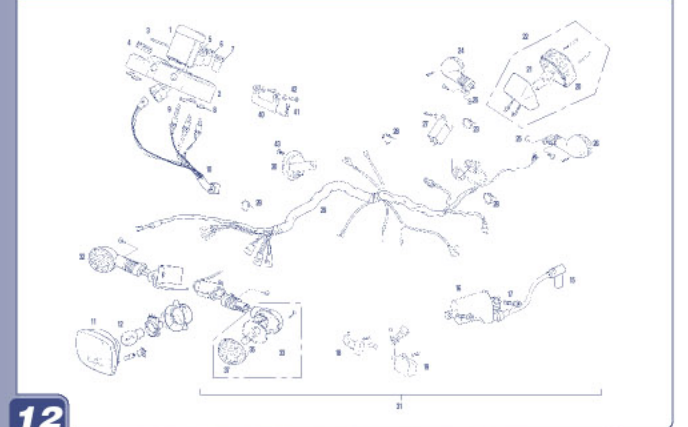
10

Caja filtro / Filter box **GAS GAS** PAMPERA 2002

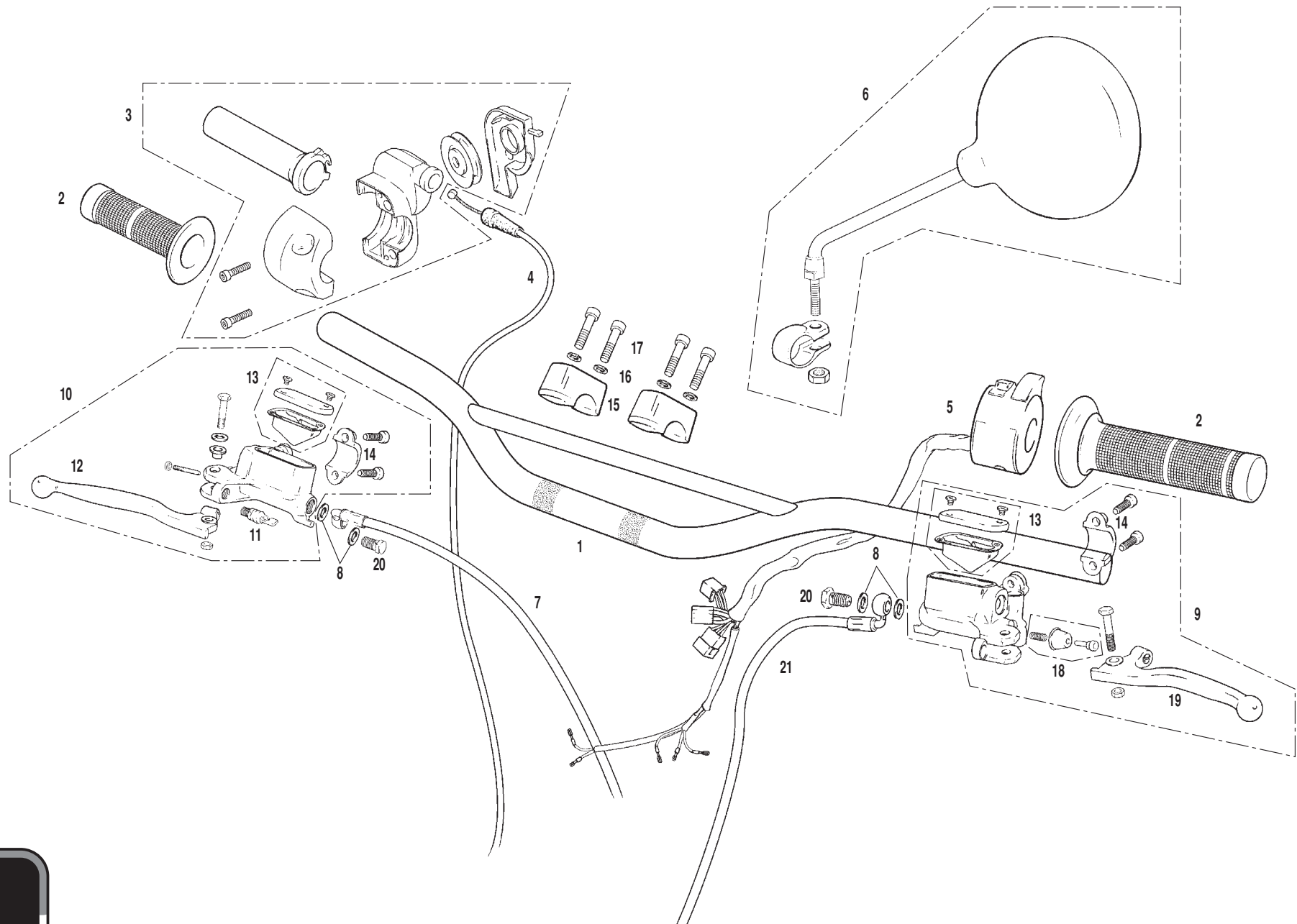


11

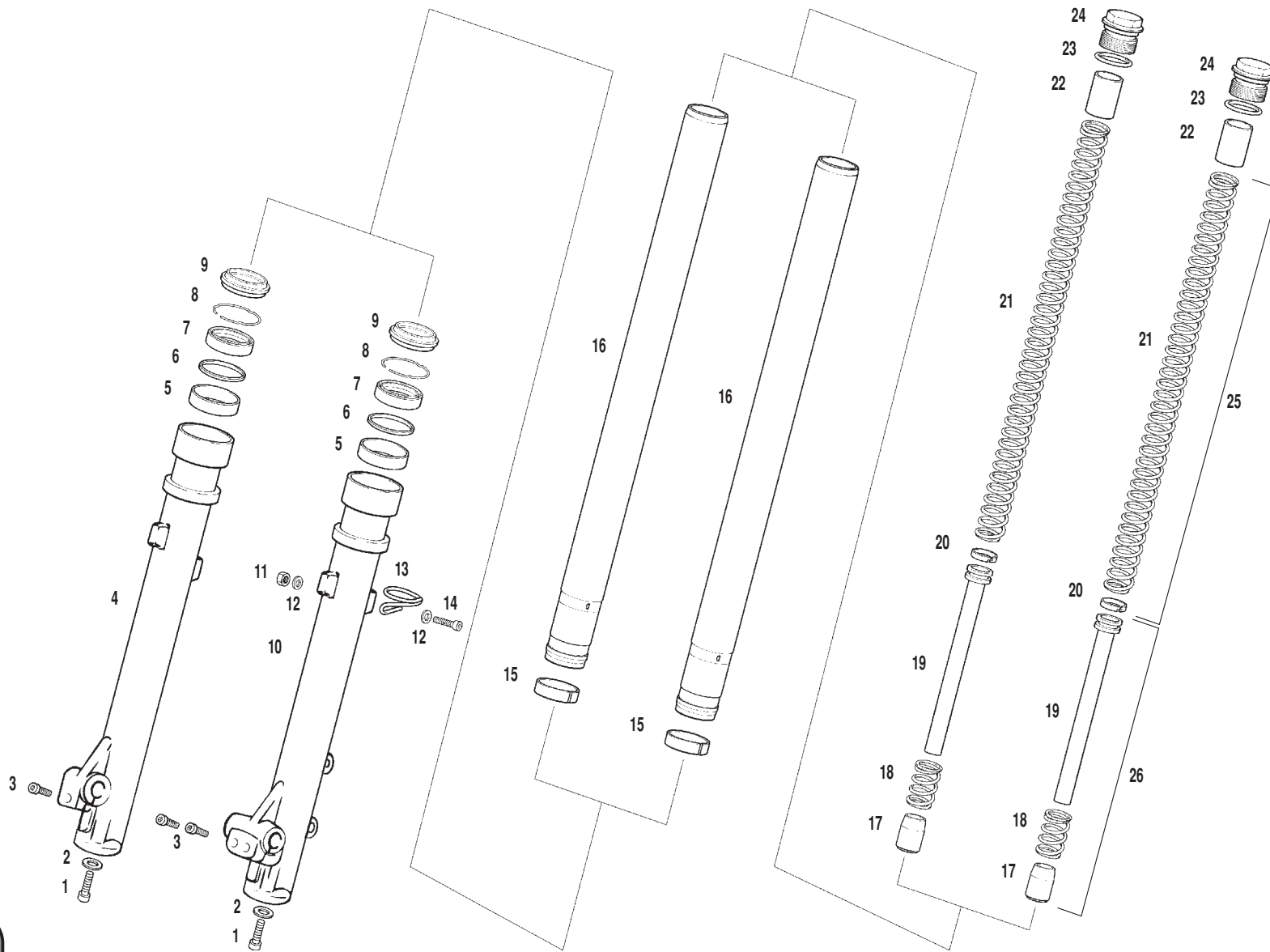
Eléctrico / Electric **GAS GAS** PAMPERA 2002



12



Nº	DESCRIPCION / DESCRIPTION	125 / 250 / 280 c.c.	Cant.
1	MANILLAR ENDUPAMP / ENDUPAMP HANDLEBAR	BEP250224001	1
2	JUEGO EMPUÑADURAS EC250-2002 / HANDLE BAR GRIP (PAIR)	BE250236002	1
3	PUÑO MANDO GAS 1800-03 / TWIST GRIP	E100001	1
4	CABLE DE GAS 99 / CABLE THROTTLE	BT27924008	1
5	CONMUTADOR LUZ TT-97 / LIGHT SWITCH	BE25734001	1
6	ESPEJO RETROVISOR / REAR-VIEW MIRROR	BS25710095	2
7	LATIGUILLO FRENO DELANTERO EC50 / FRONT BRAKE HOSE	BIE500122004	1
8	ARANDELA LATIGUILLO 10X14X1 / HOSE WASHER 10X4X1	BE25622007	4
9	CTO. EMBRAGUE EP250-2002 / CLUTCH SET	BEP250222005	1
10	CTO. FRENO DELANTERO EP250-2002 / FRONT BRAKE SET	BEP250222108	1
11	INTERRUPTOR STOP BOMBA NISSIN / NISSIN PUMP STOP SWITCH	L300066	1
12	MANETA FRENO DELANTERO / FRONT BRAKE LEVER	BS25722045	1
13	KIT TAPA BOMBA FRENO / BRAKE PUMP COVER KIT	R346000	2
14	BRIDA / CLAMP	BS25722211	2
15	BRIDA SUJECCIÓN MANILLAR / HANDLEBAR CLAMP	BIE500114012	2
16	ARANDELA ESTRIADA 8 NEGRA / BLACK GROOVING WASHER	T4018013	4
17	TORNILLO SUJECIÓN BRIDA / CLAMP SCREW	T0308035	4
18	KIT REPARACIÓN / REPARATION KIT	BS25722209	1
19	MANETA EMBRAGUE / CLUTCH LEVER	BS25722040	1
20	TORNILLO LATIGUILLO / HOSE SCREW	R320000	2
21	LATIGUILLO EMBRAGUE / CLUTCH HOSE	BT27722003	1

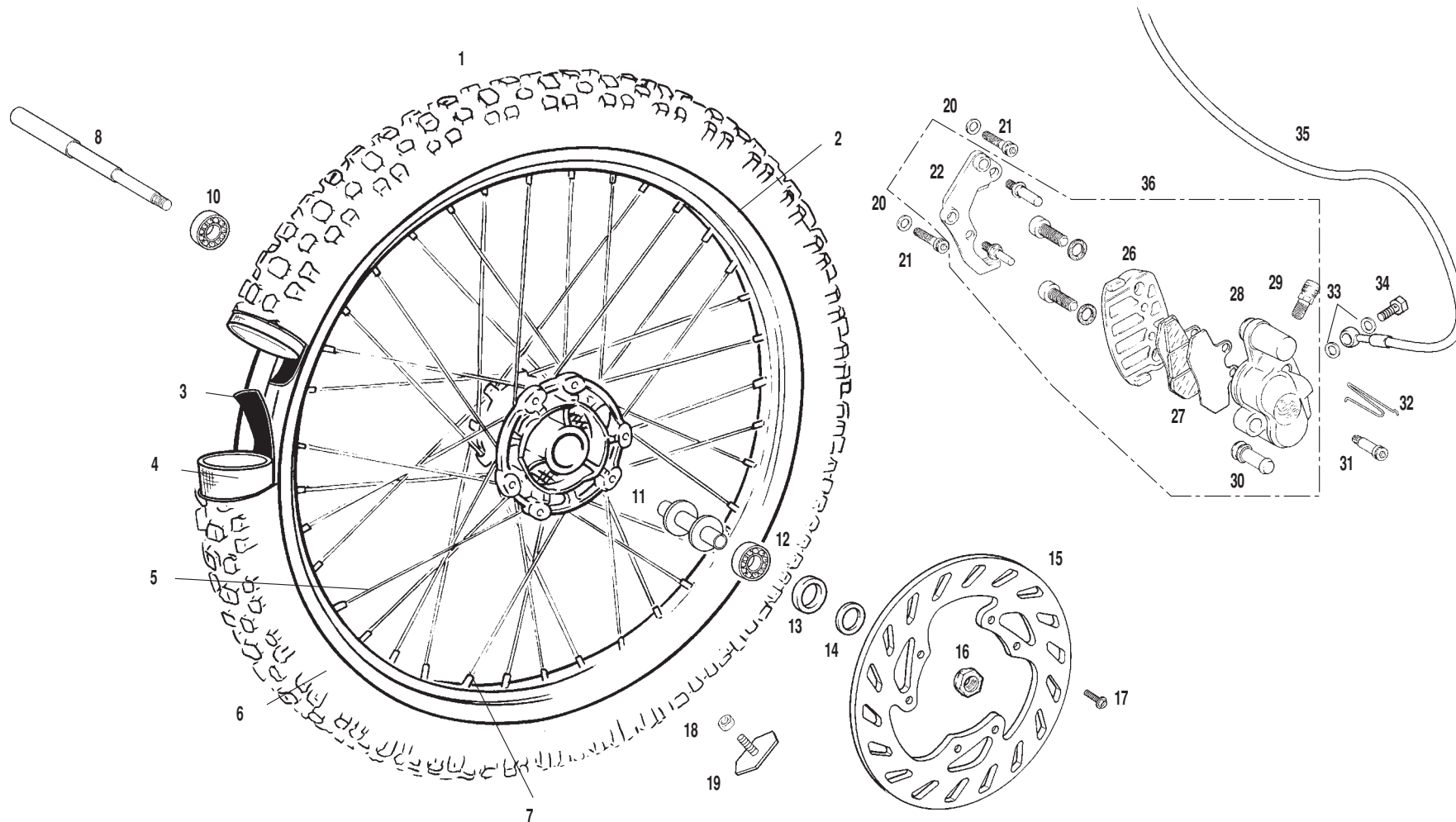


Nº	DESCRIPCION / DESCRIPTION	125 / 250 / 280 c.c.	Cant.
1	ALLEN SUJECCION CTO. HIDRAULICO / HYDRAULIC SET ALLEN BOLT		2
2	ARANDELA GOMA INTERIOR / RUBBER WASHER		2
3	ALLEN ESPECIAL BASE BOTELLA / SPECIAL ALLEN BOLT		3
4	BASE HORQUILLA DERECHA / RIGHT FORK BASE		1
5	GLACIER / GLACIER		2
6	ANILLO DE CIERRE / CLOSE RING		2
7	RETEN SUSPENSION / SUSPENSION SEAL	BEP250214212	2
8	CIRCLIP / CIRCLIP		2
9	GUARDAPOLVO / DUSTKEEPER		2
10	BASE HORQUILLA IZQUIERDA / LEFT FORK BASE		1
11	TUERCA / NUT		1
12	ARANDELA / WASHER		2
13	ANILLO GUIA LATIGUILLO / HOSE GUIDE RING		1
14	ALLEN / ALLEN BOLT		1
15	GLACIER BOTELLA / GLACIER		2
16	BARRA SUSPENSIÓN / INNER TUBE		2
17	TAPON FONDO BOTELLA /		2
18	MUELLE REBOTE / REBOUND SPRING		2
19	EJE AMORTIGUADOR / AXIS		2
20	ANILLO PISTON / PISTON RING		2
21	MUELLE BOTELLA / BOTTLE SPRING		2
22	CASQUILLO PRE-CARGA MUELLE / SPRING BUSHING		2
23	ANILLO TOPE / STOP RING		2
24	TAPON / CAP		2
25	KIT MUELLE Y CASQUILLO / BUSHING AND SPRING SET		2
26	CTO. HIDRAULICO / HYDRAULIC SET		2

Rueda delantera  
/ Front wheel

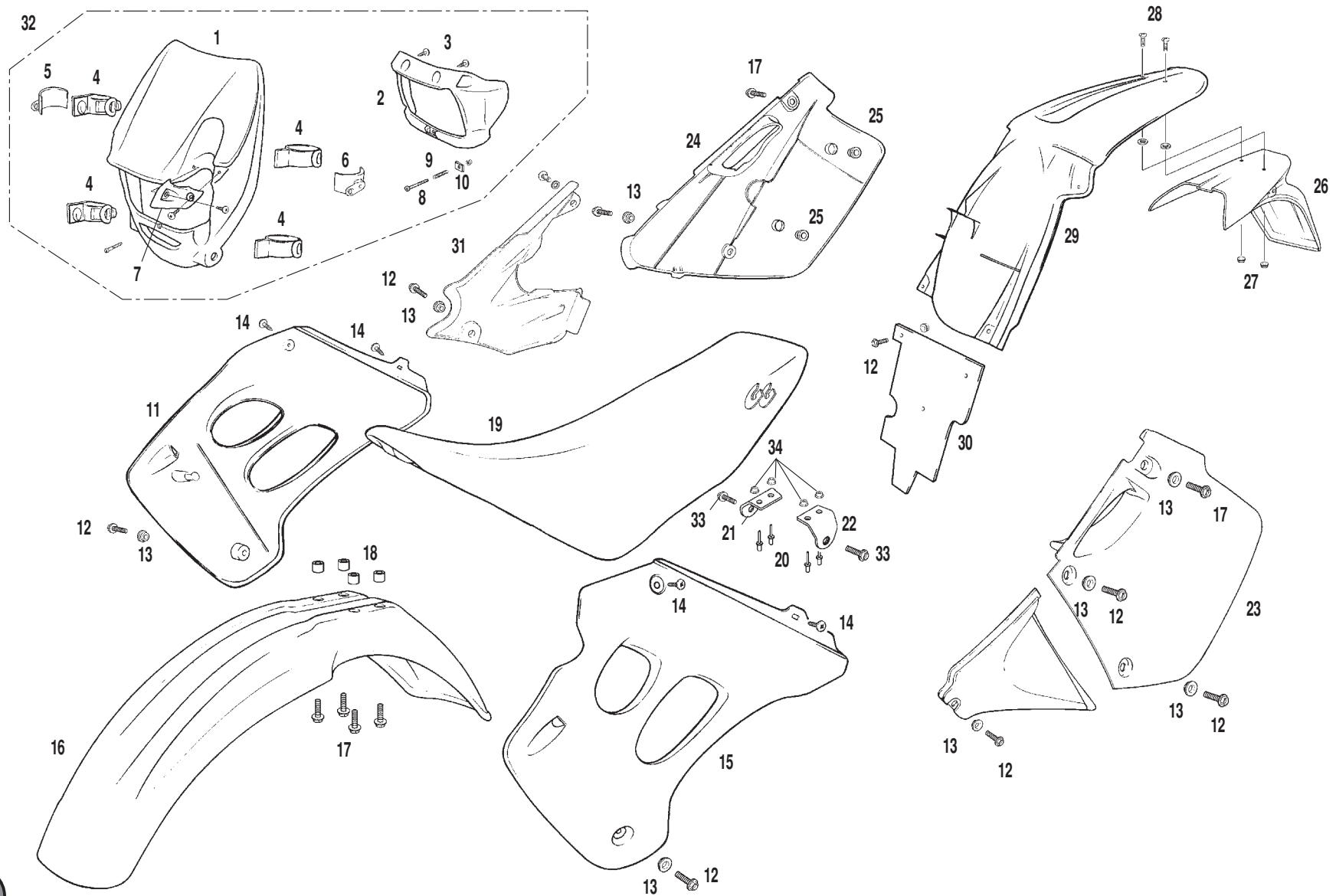
**GAS GAS**

**PAMPERA 2002**

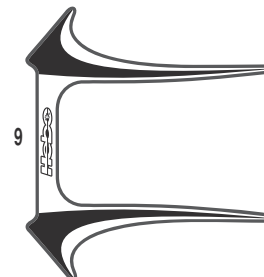
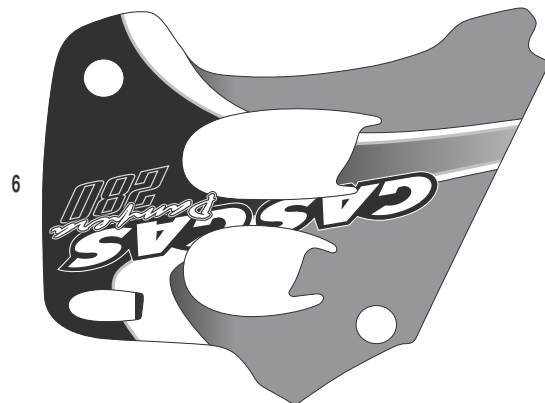
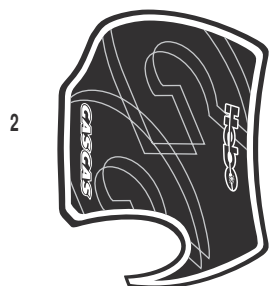




N°	DESCRIPCION / DESCRIPTION	125 / 250 / 280 c.c.	Cant.
1	RUEDA DELANTERA EP250-2002 / FRONT PAMPERA WHEEL	BEP250218000	1
2	LLANTA / RIM	BIE500118006	1
3	GOMA PROTECTOR R14025 2.75X21 / R14025 2.75X21 PROTECTOR BAND	N100000	1
4	CAMARA DELANTERA 2.75X21 / FRONT AIR HOSE	N120000	1
5	RADIO / SPOKE	BIE500118009	36
6	NEUMÁTICO DELANTERO / FRONT TIRE	BIE500118002	1
8	EJE RUEDA DELANTERA ENDUPAMP 2002 / ENDUPAMP WHEEL AXIS	BEP250218017	1
10	COJINETE / BEARING	BEP250218007	1
11	DISTANCIADOR RUEDA DEL.17.2MM INT / FRONT WHEEL SPACER	BEP250218019	1
12	COJINETE / BEARING	BIE500118054	1
13	DISTANCIADOR / SPACER	BIE500118019	1
14	ARANDELA / WASHER	T4015025	1
15	DISCO DELANTERO 260MM EC50 SUPERMOTARD / FRONT BRAKE DISC	BIE500122011SM	1
16	TUERCA EJE BASCULANTE / SWINGARM SHAFT NUT	B260001	1
17	HEXAGONAL M8 CON ARANDELA / M8 HEXAGONAL WITH WASHER	T0208007	6
18	TUERCA CON ARANDELA / NUT WITH WASHER	T2208000	1
19	AGARRE CUBIERTA DELANTERA / FRONT TIRE HOLDER	BE25618027	1
20	ARANDELA / WASHER	T4008017	2
21	ALLEN 8X40 / 8X40 ALLEN	T0308040	2
22	SOPORTE PINZA DELANTERA / FRONT CALIPER SUPPORT	BIE500122120	1
26	SEMIPINZA DELANTERA INTERIOR / FRONT CALIPER	BT27922067	1
27	PASTILLAS DE FRENO DELANTERO / FRONT BRAKE PADS	BIE500122065	1
28	SEMIPINZA DELANTERA EXTERIOR / EXTERIOR FRONT CALIPER	BT27922066	1
29	SANGRADOR PINZA FRENO DELANTERO / FRONT BRAKE CALIPER BLEEDER	BT27922055	1
30	EJE GUIA CENTRAJE PASTILLA / BRAKE CENTER GUIDE SHAFT		1
31			1
32	MUELLE SUJECCION PASTILLA FRENO / BRAKE PAD SPRING	R250000	2
33	ARANDELA LATIGUILLO / HOSE WASHER	BE25622007	2
34	RACORD SUJECION LATIGUILLO / HOSE HOLDER RACORD	R320000	1
35	LATIGUILLO FRENO DELANTERO / FRONT BRAKE HOSE	BIE500122004	1
36	CONJUNTO PINZA FRENO DELANTERO / FRONT BRAKE SET	BIE500122066	1

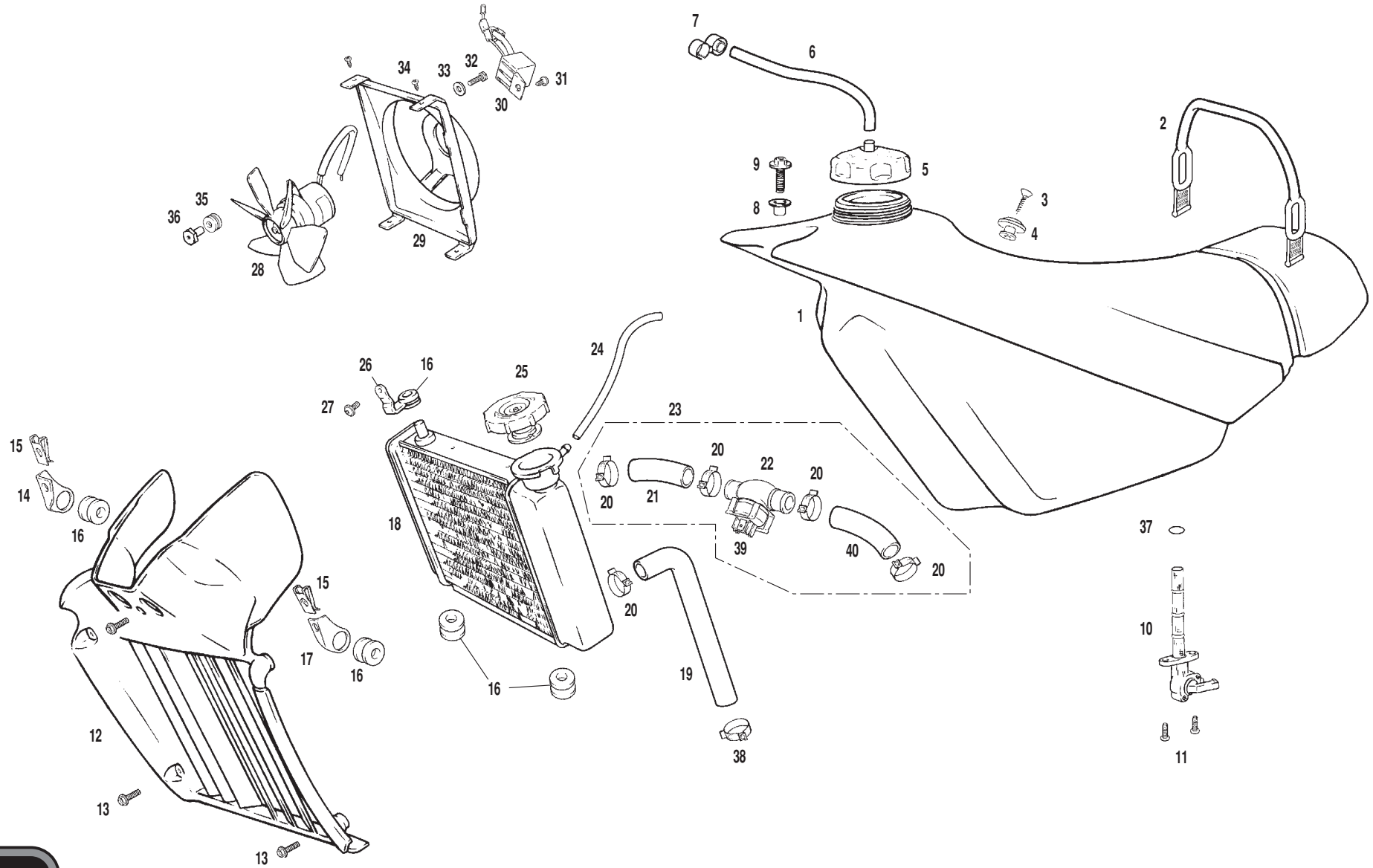


N°	DESCRIPCION / DESCRIPTION	125 / 250 / 280 c.c.	Cant.
1	PORTAFARO DELANTERO EP2002 / FRONT HEADLIGHT	BEP250220020	1
2	PORTAOPTICA FARO GRANADA 2000 / GUIDE PILOT OPTIC	BX250020027	1
3	TORNILLO ROSCA-CHAPA 3,5X13 / 3,5X13 SCREW	T0603513	2
4	GOMA SUJETA FARO D.38 PP / HEADLAMP ELASTIC BAND	BE25636015	4
5	SOPORTE INTERMITENTE DEL. DERECHO EP2002 / RIGHT INDICATOR FRONT HOLDER	BEP250234017	1
6	SOPORTE INTERMITENTE DEL. IZQUIERDO EP2002 / LEFT INDICATOR FRONT HOLDER	BEP250234020	1
7	TAPETA GUIA CABLE FARO / HEADLAMP CABLE GUIDE COVER	BX300120023	1
8	ALLEN REGULADOR OPTICA 4X30 8.8 DIN 912 / ALLEN BOLT LAMP REGULATOR	T0304035	1
9	MUELLE TORNILLO REGULACIÓN OPTICA / LAMP REGULATOR SPRING	BX250020026	1
10	GRAPA REGULACIÓN FARO GRANADA / HEADLAMP REGULATOR STAPLE	BX250020029	1
11	TAPA LATERAL RADIADOR IZQUIERDA EP2002 / LEFT RADIATOR COVER	BEP250220013	1
12	TORNILLO ESPECIAL 6X16 8.8 ZINCADO / SPECIAL SCREW	T0206016	10
13	CASQUILLO TAPA RADIADOR ALUMINIO / ALUMINIUM RADIATOR COVER BUSHING	BE250032060	4
14	TORNILLO ROSCA-CHAPA 3.5X13 / 3,5X13 SCREW	T0603513	4
15	TAPA LATERAL RADIADOR DERECHA EP2002 / RIGHT RADIATOR COVER	BEP250220012	1
16	GUARDABARROS DELANTERO EP2002 / FRONT FENDER	BEP250220006	1
17	TORNILLO ESPECIAL 6X20 8.8 ZINCADO / SPECIAL SCREW	T0206020	6
18	CASQUILLO GUARDABARROS DELANTERO / FRONT FENDER BUSHING	BE25714118	4
19	SILLIN EP2002 / EP2002 SEAT	BEP250210015	1
20	REMACHE POP 14X4.8X14 SILLIN / SEAT RIVET	BE25610017	4
21	SOPORTE SILLIN DERECHO ALUMINIO / RIGHT ALUMINIUM SEAT HOLDER	BE250010019	1
22	SOPORTE SILLIN IZQUIERDO ALUMINIO / LEFT ALUMINIUM SEAT HOLDER	BE250010020	1
23	TAPA LATERAL PORTANUMEROS DERECHO EP2002 / RIGHT SIDE COVER	BEP250220004	1
24	TAPA LATERAL PORTANUMEROS IZQUIERDO EP2002 / LEFT SIDE COVER	BEP250220005	1
25	CASQUILLO TAPA RADIADOR ALUMINIO / ALUMINIUM FRONT FENDER BUSHING	BE250032060	4
26	PORTAMATRICULAS TRASERO / PLATE HOLDER	BE250120003	1
27	TUERCA AUTOBLOCANTE CON ARANDELA M6 / M6 SELF-LOCKING NUT WITH WASHER	T2206002	2
28	TORNILLO PHILIPS M6X20 / M6X20 PHILIPS SCREW	T0706020	2
29	GUARDABARROS TRASERO EP2002 / REAR FENDER	BEP250220007	1
30	PROTECTOR SUSPENSIÓN TRASERA EP2002 / SUSPENSION PROTECTOR	BEP250220008	1
31	SEMITAPA LATERAL DERECHA EC50 / RIGHT SIDE SUB-COVER	BIE500120037	1
32	CTO. FARO DELANTERO EP2002 / FRONT HEADLIGHT	BEP250220120	1
33	TORNILLO ESPECIAL M6X25 / M6X25 SPECIAL SCREW	T0606025	2
34	TUERCA REMACHABLE M6 / M6 RIVETABLE NUT	BE250010070	4

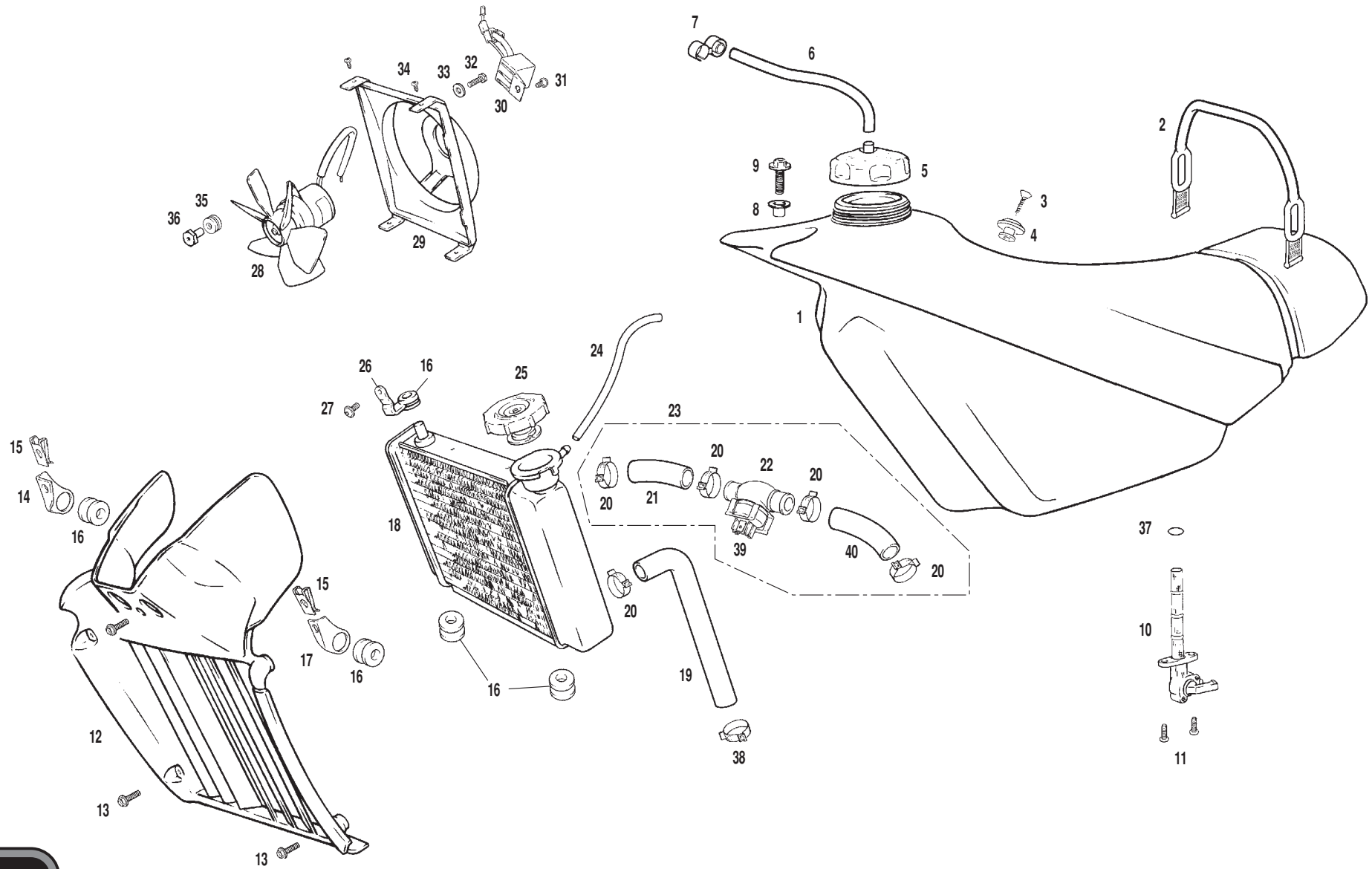




N°	DESCRIPCION / DESCRIPTION	125 c.c.	250 c.c.	280 c.c.	Cant.
1	ADH. GUARDABARROS DELANTERO / FRONT FENDER STICKER		BEP250238027		1
2	ADH. PORTAFAROS / HEADLIGHT STICKER		BEP250238001		1
3	ADH. PAMPERA TAPA MOTOR / ENGINE COVER PAMPERA STICKER		BEP250238040		1
4	ADH. GASGAS TAPA MOTOR / ENGINE COVER GASGAS STICKER		PU000038000		1
5	TAPA RADIADOR IZQUIERDA / LEFT RADIATOR COVER	BEP120238052	BEP250238052	BEP280238052	1
6	TAPA RADIADOR DERECHA / RIGHT RADIATOR COVER	BEP120238002	BEP250238002	BEP280238002	1
7	ADH. TAPA FILTRO AIRE / AIR CLEANER COVER STICKER		BIE500138049AZ		1
8	ADH. TAPA LATERAL TRASERA IZDA. / LEFT REAR COVER STICKER		BEP250238004		1
9	ADH. GUARDABARROS TRASERO / REAR FENDER STICKER		BEP250238030		1
10	ADH. TAPA LATERAL TRASERA DER. / RIGHT REAR COVER STICKER		BEP250238003		1
11	ADH. TRANSPARENTE N° BASTIDOR / CLEAR FRAME NUMBER STICKER		PU000038005		1
12	ADH. USO ACEITE GRO / GRO OIL USE ONLY STICKER		PU000338005		1

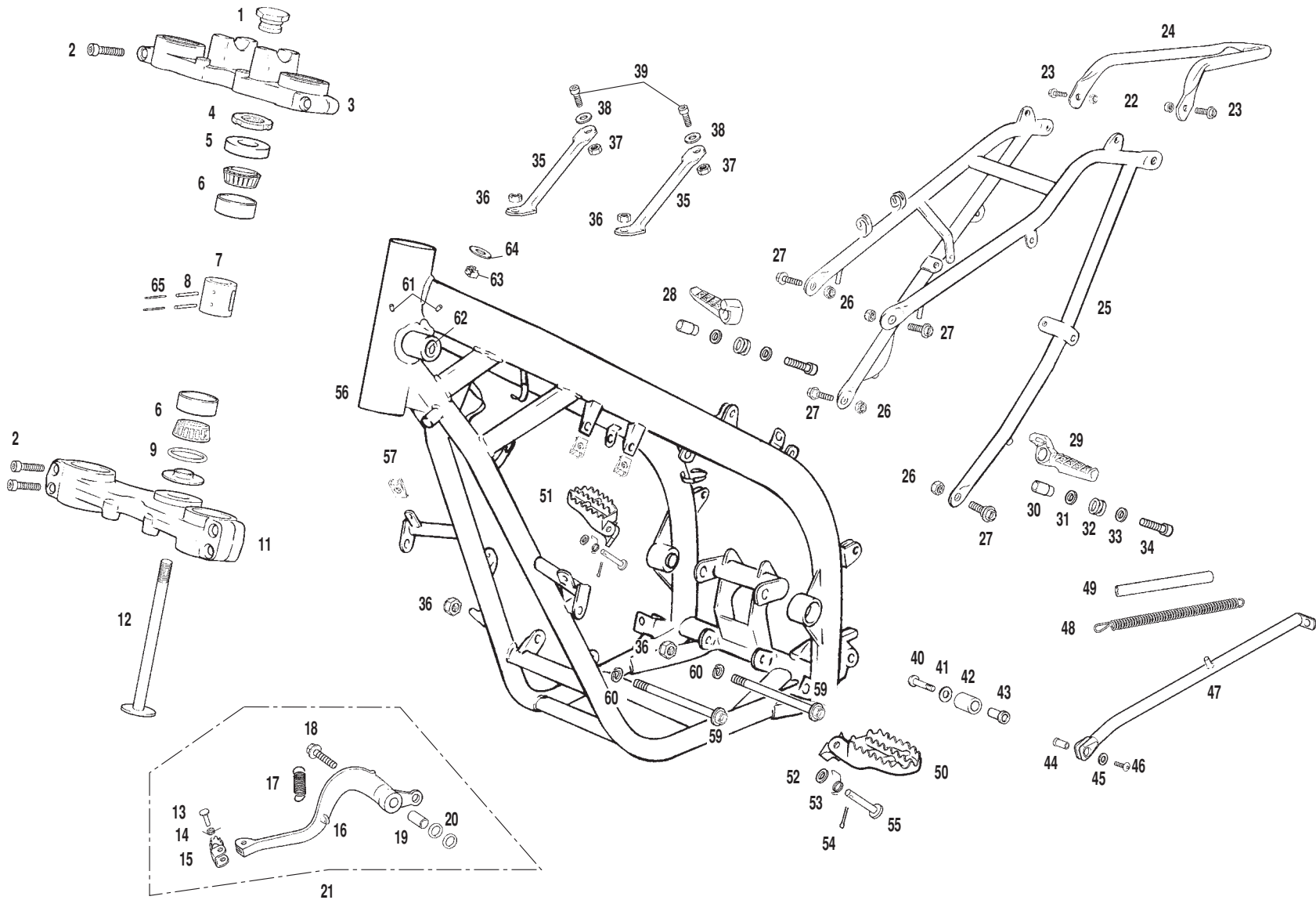


Nº	DESCRIPCION / DESCRIPTION	125 / 250 / 280 c.c.	Cant.
1	DEPOSITO EC50 / FUEL TANK	BIE500110024	1
2	TIRA SUJECCIÓN DEPOSITO / FUEL TANK RUBBER BAND HOLDER	BE250136020	1
3	TORNILLO ROSCA-CHAPA 10X1 / 10X1 SCREW	T0610001	1
4	CASQUILLO DEPOSITO / TANK BUSHING	BE250010007	1
5	TAPON GASOLINA EC-2000 / FUEL TANK CAP	BE250020010	1
6	TUBO DESVAPORIZADOR TAPON GASOLINA / FUEL TANK HOSE	BE25620011	1
7	SOPORTE TUBO DESVAP. 00-23 NEGRO / STEAM HOSE HOLDER	P720005	1
8	CASQUILLO DEPOSITO / TANK BUSHING	BE25610007	1
9	TORNILLO 6X12 / 6X12 SCREW	T0605025	1
10	GRIFO GASOLINA / FUEL TANK	BE25610031	1
11	ULS 6X12 / 6X12 ULS BOLT	T0506012	2
12	REJILLA RADIADOR PP 250-97 / PAMPERA RADIATOR COVER	BP25720001	1
13	ULS 6X20 / 6X20 ULS	T0506020	2
14	OREJA DERECHA SUJECCIÓN PLACA RADIADOR / RIGHT RADIATOR COVER SUPPORT	BEP250210939/2	1
15	TUERCA NUT RÁPIDA / FAST -LOCK NUT	T2606000	2
16	SILENTBLOCK RADIADOR / RADIATOR SILENTBLOCK	BIE500132031	5
17	OREJA IZQUIERDA SUJECCIÓN PLACA RADIADOR / LEFT RADIATOR COVER SUPPORT	BEP250210939/3	1
18	RADIADOR PP 250-97 / PAMPERA RADIATOR	BP25732000	1
19	TUBO RADIADOR-BOMBA / RADIATOR TO PUMP HOSE	BEP250232003	1
20	ABRAZADERA COBRA 23 / 23 COBRA CLAMP	L200041	5
21	TUBO / HOSE	BIE500132003	1
22	SOPORTE TERMO-CONTACTO / TERMO-CONTACT SUPPORT	L200057	1
23	CTO. SUBMARINO /	BEP250232002	1
24	TUBO DESVAPORIZADOR / DESVAP. HOSE	BT27710116	1
25	TAPÓN RADIADOR / RADIATOR CAP	L200110	1
26	SOPORTE RADIADOR / RADIATOR SUPPORT	BT27932015	1
27	ULS 6X10 CON ARANDELA / 6X10 ULS WITH WASHER	T055010	1
28	VENTILADOR / FUN	L300001	1
29	PROTECTOR VENTILADOR / FUN PROTECTOR	L300011	1
30	MODULO VENTILADOR / FUN MODULE	L300021	1
31	TORNILLO ROSCA-CHAPA CON ARANDELA / THREAD SCREW WITH WASHER	T06035013	1
32	HEXAGONAL 4X10 / 4X10 HEXAGONAL BOLT	T0104010	1

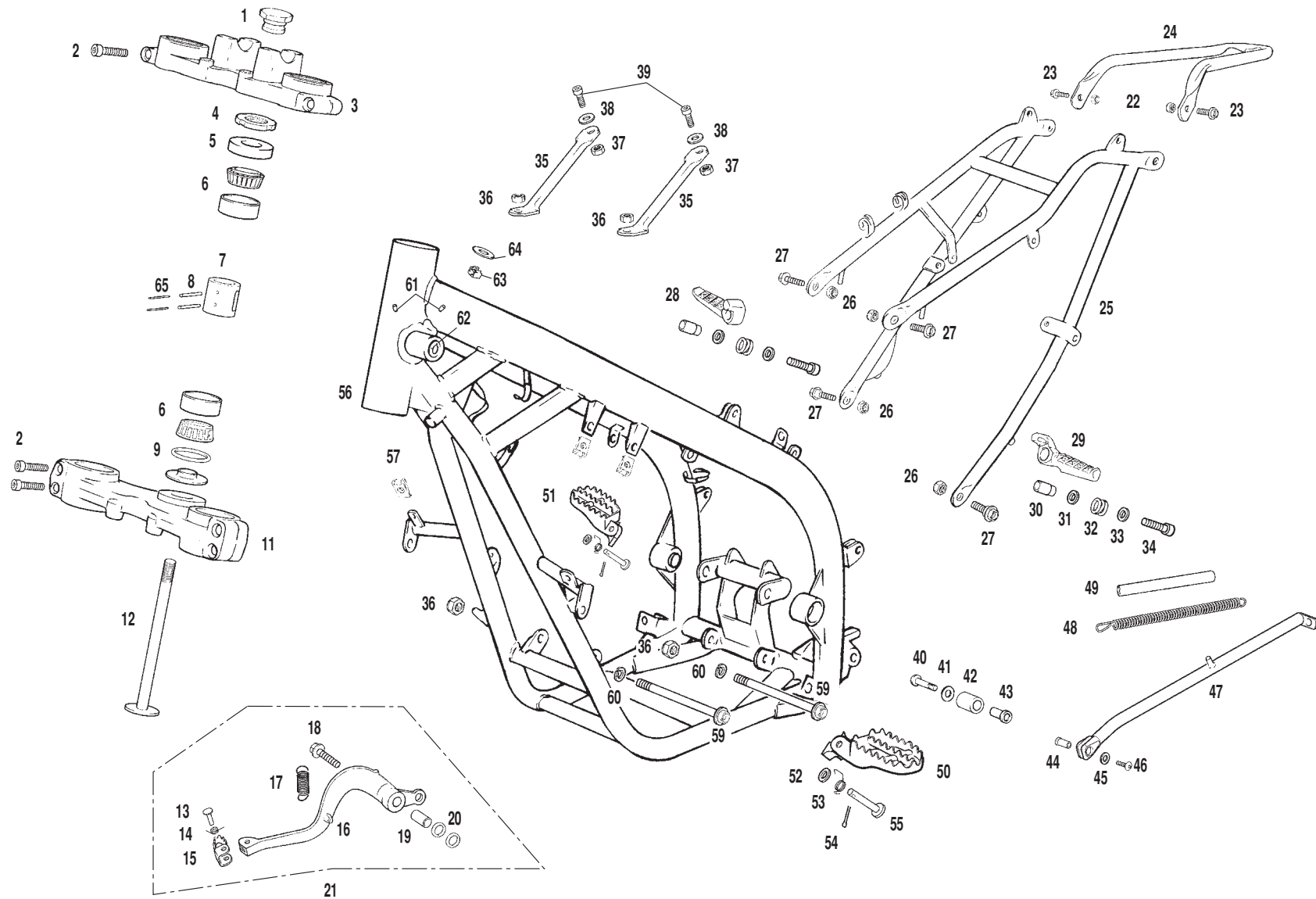




N°	DESCRIPCION / DESCRIPTION	125 / 250 / 280 c.c.	Cant.
33	ARANDELA PLANA 4X12X1 / 4X12X1 PLANE WASHER	T4004012	1
34	TORNILLO ROSCA-CHAPA 3X9 / 3X9 THREAD SCREW	T1003009	4
35	SILENTBLOCK RADIADOR / RADIATOR SILENTBLOCK	G220000	1
36	CASQUILLO VENTILADOR / FUN BUSHING	L300016	1
37	TORICA / O'RING	B740120	1
38	ABRAZADERA COBRA 19 / 19 COBRA CLAMP	L200043	1
39	TERMOCONTACTO / TERMO-CONTACT	M01020003	1
40	TUBO / HOSE		1

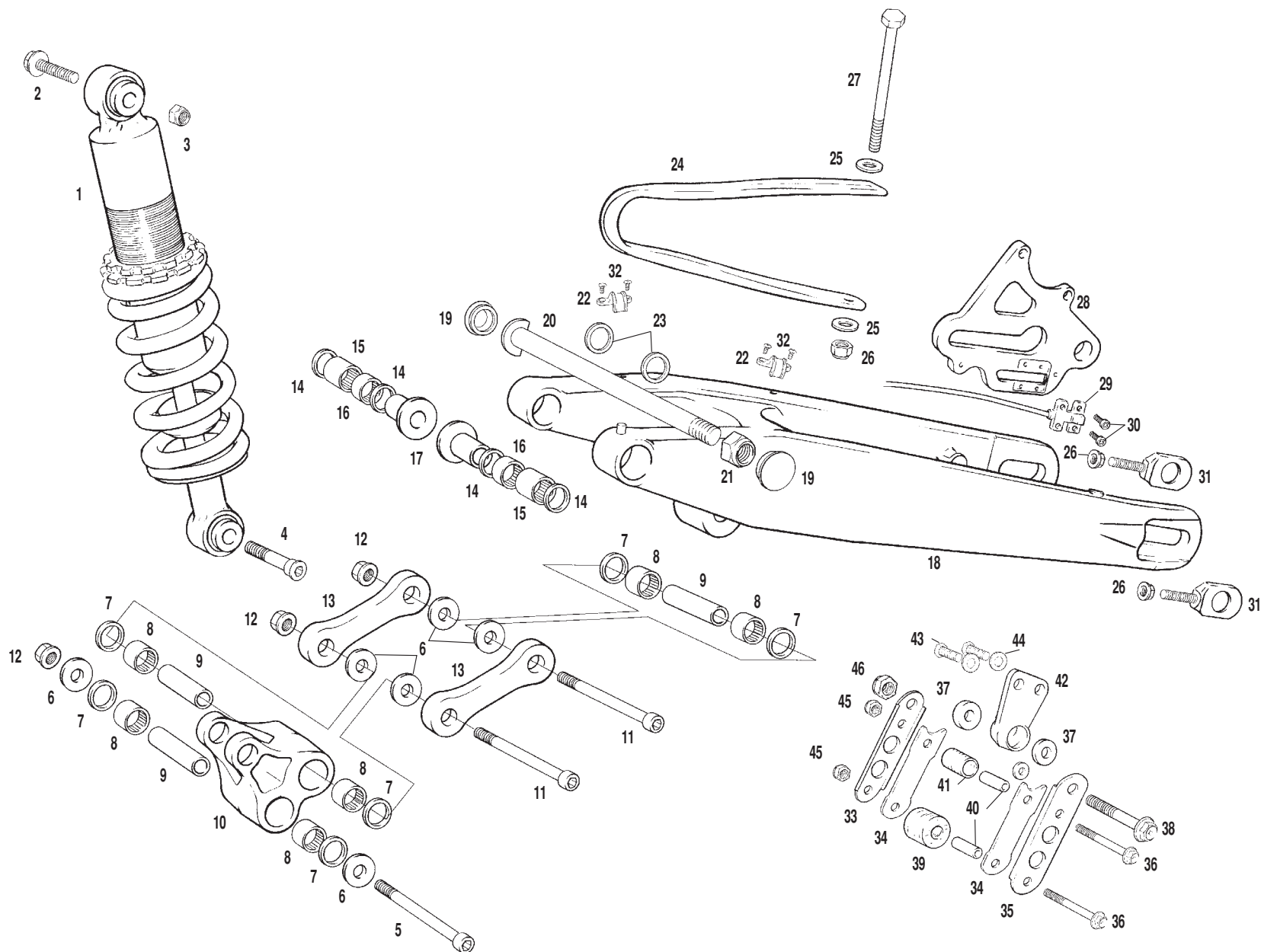


N°	DESCRIPCION / DESCRIPTION	125 / 250 / 280 c.c.	Cant.
1	TUERCA DIRECCION SUPERIOR EP-2002 / STEERING SHAFT NUT	BEP250210030	1
2	ALLEN 8X35 CUBREDISCO / 8X35 ALLEN BOLT	T0308035	6
3	BRIDA SUSPENSION SUPERIOR / FORK CLAMP (UPPER)	BIE500114001	1
4	TUERCA DIRECCION 99 / STEERING SHAFT NUT	BT27910029	1
5	GUARDAPOLVO COJINETE DIRECCION ENDUPAMP / BEARING DUST COVER	BEP250210026	1
6	COJINETE DIRECCION URBXA 32004 / STEERING BEARING	BT280210008	2
7	CASQUILLO ANTIROBO EJE DIRECCIÓN / STEERING SHAFT BUSHING	BEP250210071	1
8	PASADOR ELÁSTICO 5X30 / 5X30 ELASTIC PIN	BP25710073	2
9	TORICA DIRECCION 50X5 / 50X5 STEERING O'RING	BE25610012	1
11	BRIDA SUSPENSION INFERIOR / FORK CLAMP (LOWER)	BIE500114002	1
12	TIJA DIRECCIÓN / STEERING SHAFT	BEP250214003	1
13	REMACHE PUNTERA PEDAL FRENO 23X5.8 / BRAKE PEDAL END RIVET	BE25922018	1
14	MUELLE PUNTERA PEDAL / BRAKE PEDAL END SPRING	ME25636029	1
15	PUNTERA PEDAL FRENO / BRAKE PEDAL END	BT27922017	1
16	PEDAL FRENO EC-2000 / BRAKE PEDAL	BE250022016	1
17	MUELLE PEDAL FRENO / BRAKE PEDAL SPRING	BE25610023	1
18	TORNILLO ESPECIAL PEDAL FRENO / BRAKE PEDAL SPECIAL SCREW	T0206014	1
19	CASQUILLO PEDAL FRENO EP250-2002 / BRAKE PEDAL BUSHING	BEP250210302	1
20	TORICA 8X1.5 PEDAL FRENO / BRAKE PEDAL O'RING	ME250036063	2
21	CTO. PEDAL FRENO / BRAKE PEDAL SET	BE250022021	1
22	TUERCA AUTOBLOCANTE M6 ALTA / M6 SELF-LOCKING NUT	T2106002	2
23	HEXAGONAL 6X20 / 6X20 HEXAGONAL BOLT	T0106020	2
24	COLIN SOPORTE GUARDAB. TRAS. ALUM. / ALUMINIUM REAR FENDER SUPPORT	BE250010018	1
25	COLA CHASIS EP2002 / ENDUPAMP FRAME TAIL	BEP250210001	4
26	TUERCA AUTOBLOCANTE / SELF-LOCKING NUT	T2108001	4
27	TORNILLO ESPECIAL 8X20 ZINCADO / 8X20 SPECIAL SCREW	T0208020	4
28	ESTRIBO TRASERO DERECHO EC50 / RIGHT REAR FOOTREST	BIE500110102	1
29	ESTRIBO TRASERO IZQUIERDO EC50 / LEFT REAR FOOTREST	BIE500110103	1
30	CASQUILLO / BUSHING	BIE500110104	2
31	ARANDELA / WASHER	T4001020	2
32	MUELLE / SPRING	BIE500110037	2
33	ARANDELA / WASHER	T4008017	2

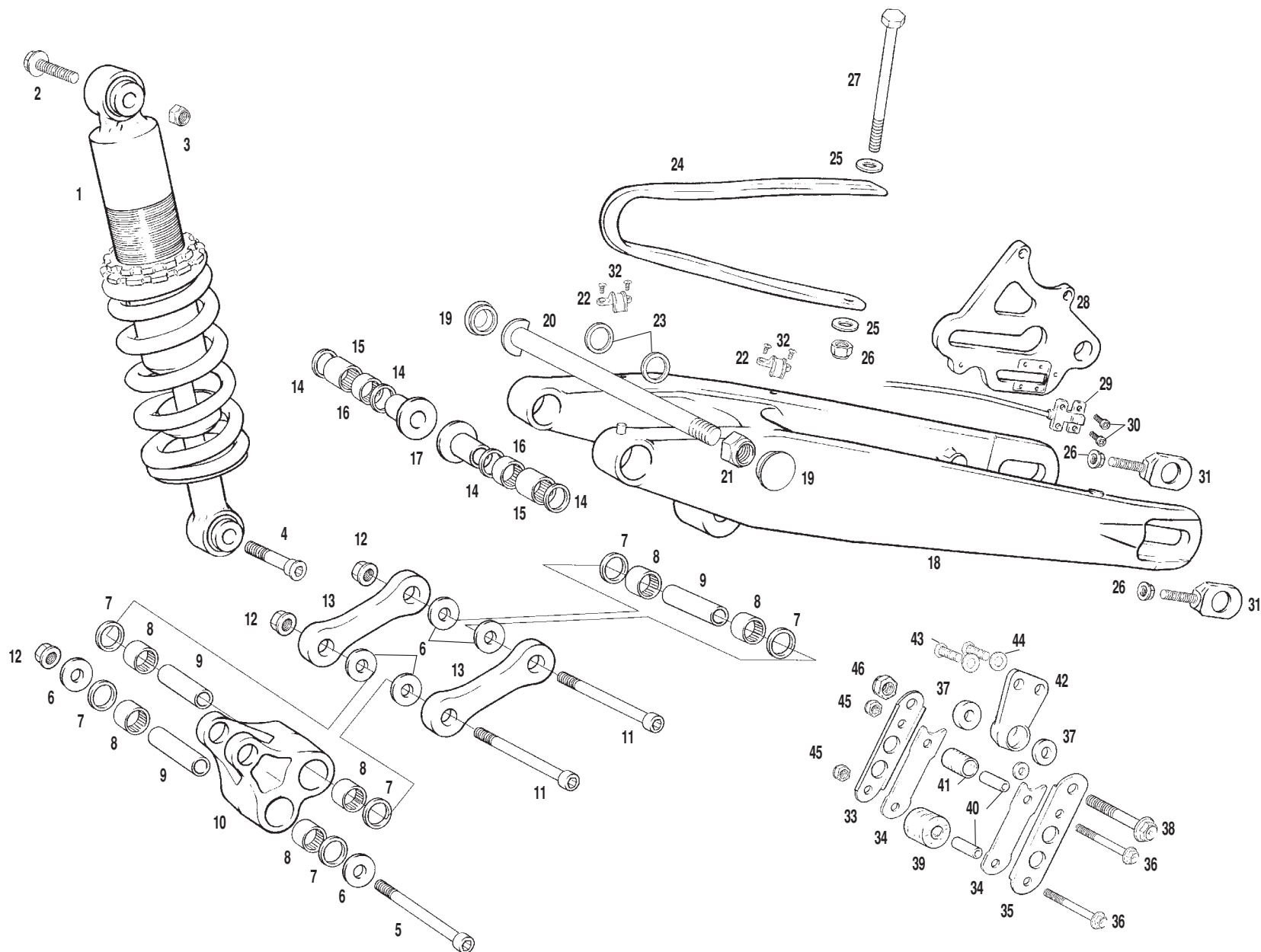




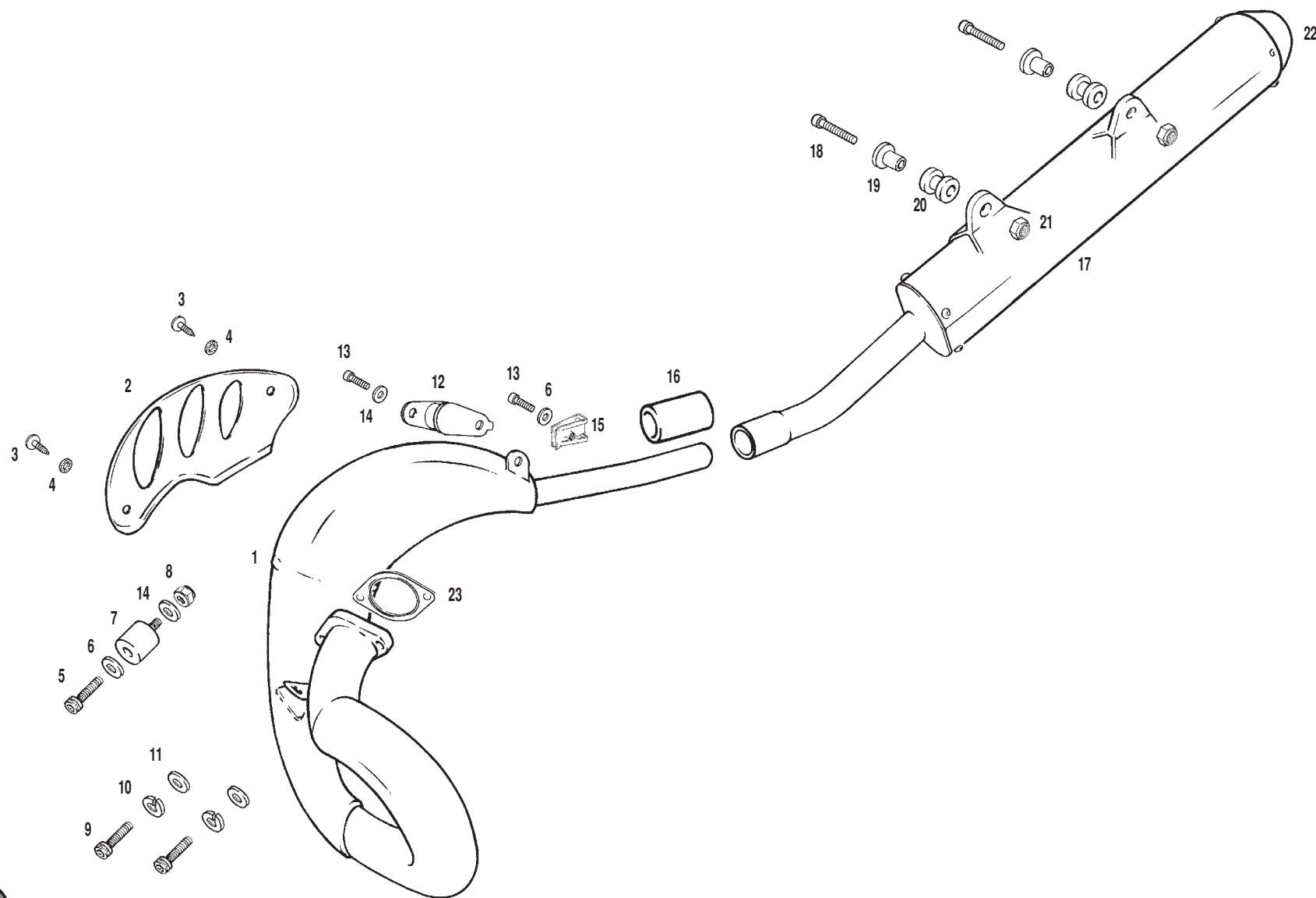
Nº	DESCRIPCION / DESCRIPTION	125 / 250 / 280 c.c.	Cant.
34	ALLEN M8X35 / M8X35 ALLEN	T0308035	2
35	TIRANTE CILINDRO EP2002 / CYLINDER HEAD BRACE	BEP250210050	2
36	TUERCA M10 CON ARANDELA / M10 NUT WITH WASHER	M01613001	4
37	TUERCA AUTOBLOCANTE M8 BAJA / M8 LOW SELF-LOCKING NUT	T2108001	2
38	ARANDELA 8X20X1,5 / 8X20X1,5 WASHER	T4008020	2
39	ALLEN 8X20 / 8X20 ALLEN	T0308020	2
40	HEXAGONAL 8X45 / 8X45 HEXAGONAL BOLT	T0108045	1
42	RODILLO GUIA CADENA / CHAIN ROLL	BIE500110032	1
43	CASQUILLO RODILLO GUIA CADENA / CHAIN ROLL BUSHING	BE25612016	1
44	CASQUILLO GUIA CABALLETE TRIAL / SIDE STAND BUSHING	BT27712011	1
46	ULS CON ARANDELA M8X12 ZINCADO / 8X12 ULS WITH WASHER	T0558012	1
47	CABALLETE EP-2002 / ENDUPAMP SIDESTAND BRACKET	BEP250212010	1
48	MUELLE CABALLETE ENDUPAMP / ENDUPAMP SIDESTAND SPRING	BEP250210039	1
49	TUBO PLASTICO PROTECTOR MUELLE CAB. D-13X1 / SPRING PLASTIC PROTECTOR	BT27912050	1
50	ESTRIBO IZQUIERDO 99 / LEFT FOOTREST	BT27910003	1
51	ESTRIBO DERECHO 99 / RIGHT FOOTREST	BT27910002	1
52	ARANDELA PLANA 10 / LOWER WASHER	T4001020	4
53	MUELLE ESTRIBO IZQUIERDO / LEFT FOOTREST SPRING	BE25610038	1
54	CLAVIJA ZINC 3X35 / ZINC	BE25622022	2
55	CASQUILLO ESTRIBO / FOOTREST BUSHING	BE25610006	2
56	CHASIS EP2002 / ENDUPAMP FRAME	BEP250210000	1
57	TUERCA NUT 956 RAPIDA M-6 / M6 FAST SELF-LOCKING NUT	T2606000	11
59	TORNILLO 10X100 / 10X100 SCREW	T310100	2
60	GLOVER / GLOVER	T4010314	2
61	CONJUNTO REMACHE ANTIRROBO EC / STEERING LOCK	BE250010076	2
62	ANTIRROBO EC-2000 / WASHER	BE250010075	1
63	ARANDELA REGLAJE / REGULATE WASHER	T400126	1
64	TUERCA ENJAULADA / NUT	T2005010	1
65	PASADOR ELÁSTICO 3X28 / 3X28 ELASTIC PIN	BP25710074	2



Nº	DESCRIPCION / DESCRIPTION	125 / 250 / 280 c.c.	Cant.
1	AMORTIGUADOR EC50 / EC50 SHOCK ABSORBER	BIE500114004	1
2	TORNILLO ESPECIAL M10X55 / M10X55 SPECIAL SCREW	T0210055	1
3	TUERCA CON ARANDELA / NUT WITH WASHER	T0310002	1
4	TORNILLO ALLEN 10X40 CABEZA REBAJADA / 10X40 ALLEN SCREW	T0311040	1
5	TORNILLO ALLEN M12X80 / 12X80 ALLEN	T0312080	1
6	ARANDELA 12.5X28X1 / 12.5X28X1 WASHER	T4012528	8
7	RETEN 18X24X3 SUSP. TRASERA / 18X24X3 REAR SHOCK SEAL	BIE500110011	6
8	COJINETE 18BM2416 SUSP. TRASERA / 18BM2416 REAR SHOCK BEARING	BIE500114010	6
9	CASQUILLO 12X18X48 SUSP. TRASERA / 12X18X48 REAR SHOCK BUSHING	BIE500112014	3
10	BALANCIN EC50 / ROCKER ARM	BIE500114005	1
11	TORNILLO ALLEN M12X85 / 12X85 ALLEN BOLT	T0312085	2
12	TUERCA CON ARANDELA M12 AUTOBLOC. / SELF-LOCKING M12 NUT WITH WASHER	T2212000	3
13	BIELETA EC 50 / CONNECTING ROD	BIE500114008	1
14	RETEN 20-26-4 870 N BASCULANTE / 20-26-4 870 N SWINGARM SEAL	C220001	2
15	JAULA AGUJAS HK2020 / HK2020 NEEDLES BEARING	C100001	2
16	JAULA AGUJAS HK2010 / HK2010 NEEDLES BEARING	BIE500114011	2
17	CASQUILLO EJE BASCULANTE EP2002 / SWINGARM BUSHING	BEP250210914	2
18	BASCULANTE EC50 / SWINGARM	BIE500112002	1
19	TAPON BASCULANTE / SWINGARM CAP	G230000	2
20	EJE BASCULANTE EC-2000 / SWINGARM SHAFT	BE25912008	1
21	TUERCA BASCULANTE / SWINGARM NUT	BE25612009	1
22	SUJECCIÓN LATIGUILLO SOBRE BASCULANTE / SWINGARM HOSE HOLDER	BE25612006	2
23	CASQUILLO 12X18X48 SUSPENSIÓN TRAS. / REAR SHOCK 12X18X48 BUSHING	BIE500112014	2
24	PATIN CADENA EC-2001 / CHAIN SLIDER	BE250112015	1
25	ARANDELA / WASHER	T4006018	1
26	TUERCA AUTOBLOCANTE M8 BAJA / M8 SELF-LOCKING NUT	T2108001	3
27	TORNILLO HEXAGONAL M6X90 CILINDRO DIN 933 / CYLINDER HEXAGONAL SCREW	MIT50016031	1
28	SOPORTE PINZA FRENO TRASERO / REAR BRAKE CALIPER SUPPORT	BIE500122120	1
29	ALARGO CABLE SENSOR EC2001 / HALL SENSOR LEAD CABLE	BE250134040	1
30	TORNILLO ESPECIAL M4X9 / M4X9 SPECIAL SCREW	T0204009	4
31	SENSOR RUEDA EC50 / WHEEL TENSOR	BIE500118022	2
32	ULS 5X10 / 5X10 ULS	T0505010	4



N°	DESCRIPCION / DESCRIPTION	125 / 250 / 280 c.c.	Cant.
33	PLATINA GUIA CADENA IZQUIERDA / LEFT CHAIN GUIDE BRACKET	BE25912017	1
34	TIRA NYLON ANTIRUIDO / ANTI-NOISE NYLON BAND	BE25612022	2
35	PLATINA GUIA CADENA DERECHA / RIGHT CHAIN GUIDE BRACKET	BE25912017	1
36	ALLEN 6X40 / 6X40 ALLEN BOLT	T0306040	2
37	DISTANC. SOP. GUIA CADENA PEQ. / LITTLE CHAIN GUIDE SUPPORT SPACER	BE25612020	2
38	TORNILLO ESPECIAL 8X40 8.8 ZINCADO / 8X40 SPECIAL SCREW	T0208040	1
39	RODILLO GUIA CADENA / CHAIN GUIDE ROLLER	BE256120121	1
40	CASQUILLO GUIA CADENA / CHAIN GUIDE BUSHING	BE25610025	2
41	RODILLO GUIA CADENA SUPERIOR / UPPER CHAIN GUIDE ROLLER	BE25610014	1
42	SOPORTE GUIA CADENA / CHAIN GUIDE SUPPORT	BE25612018	1
43	HEXAGONAL 8X20 / 8X20 HEXAGONAL BOLT	T0208020	2
44	ARANDELA 8x20x1,5 / 8X20X1,5 WASHER	T4008016	2
45	TUERCA AUTOBLOCANTE BAJA M6 / M6 SELF-LOCKING NUT	T2106001	2
46	TUERCA AUTOBLOCANTE BAJA M8 (DIN 985) / M8 SELF-LOCKING NUT	T2108001	1



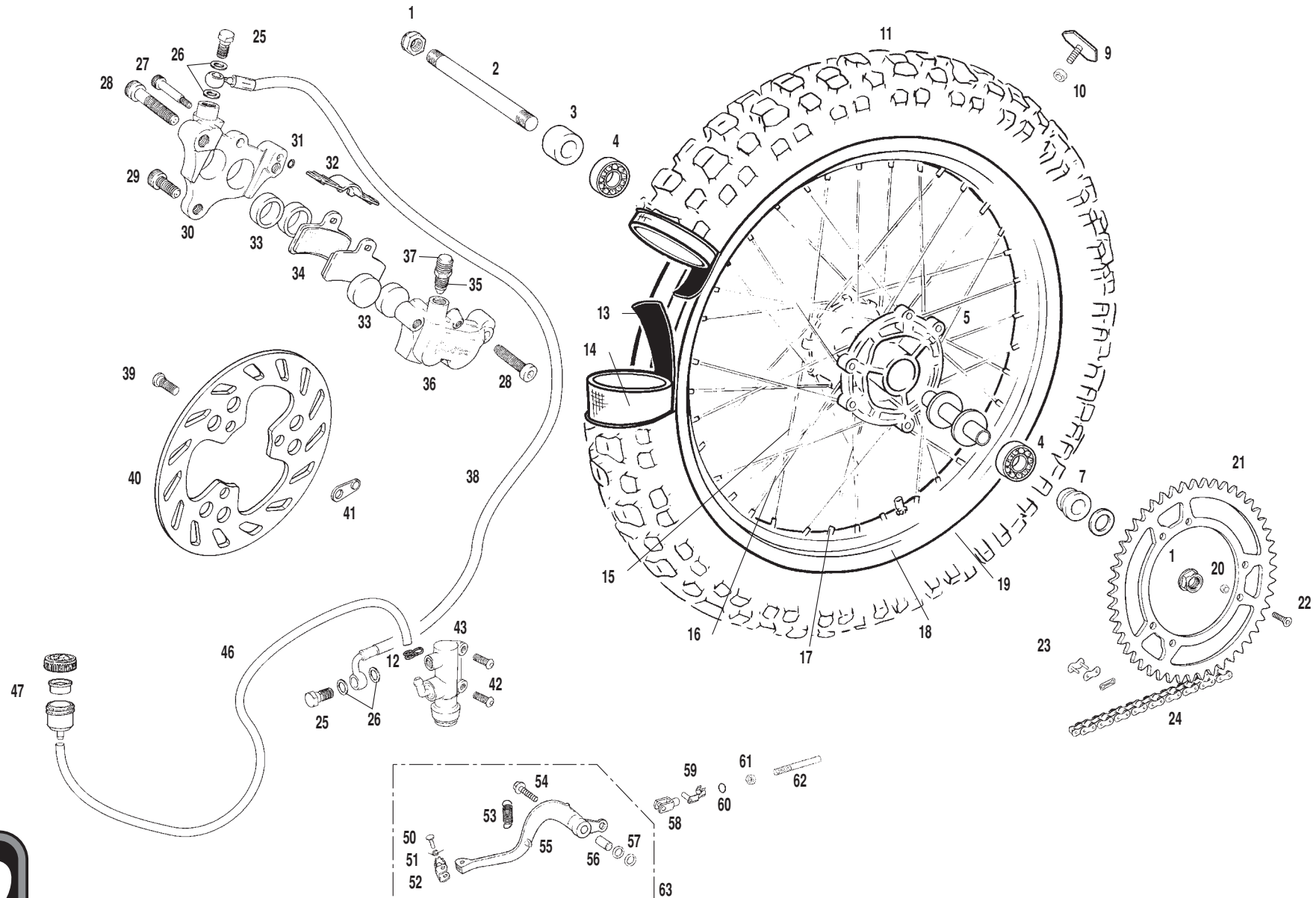


N°	DESCRIPCION / DESCRIPTION	125 / 250 / 280 c.c.	Cant.
1	TUBO ESCAPE EP2002 / EXHAUST PIPE	BEP250226001	1
2	PROTECTOR ESCAPE / EXHAUST PROTECTOR	BS25726016	1
3	ULS 6X10 / 6X10 ULS BOLT	T0506010	2
4	ARANDELA ESTRIADA / GROOVING WASHER	T4006511	2
5	ALLEN 6X10 / 6X10 ALLEN BOLT	T0306010	1
6	ARANDELA PLANA 6X12X1.5 / 6X12X1.5 FLAT WASHER	T4006018	3
7	SILENTBLOCK ESCAPE 8986 25/20MF6 / EXHAUST SILENT-BLOCK	BE25626007	1
8	TUERCA AUTOBLOCANTE BAJA M6 / M6 SELF-LOCKING NUT	T2106001	1
9	ALLEN M8 X25 / M8X25 ALLEN BOLT	T0308025	2
10	GLOVER / GLOBER	T4001015	2
11	ARANDELA PLANA / FLAT WASHER	T4008018	2
12	SILENTBLOC ESCAPE 10942 / EXHAUST SILENT-BLOCK	BE25626004	1
13	ALLEN 6X16 BOMBA EMBRAGUE / CLUTCH PUMP ALLEN BOLT	T0306016	1
14	ARANDELA 6X18X1.5 / 6X18X1.5 WASHER	T4006018	1
15	TUERCA NUT 956 RAPIDA M6 / M6 FAST NUT	T2606000	2
16	JUNTA ESCAPE DE SILICONA / SYLICONE EXHAUST GASKET	BE12626003	1
17	SILENCIOSO EP2002 / ENDUPAMP SILENCER	BEP250226002	1
18	ALLEN 6X30 8.8 / 6X30 8.8 ALLEN BOLT	T0306030	2
19	CASQUILLO SILENTBLOCK SILENCIADOR ALUM. / ALUMINIUM SILENCER BUSHING	BE250026000	2
20	SILENTBLOCK SILENCIADOR EC-2000 / SILENCER SILENT-BLOCK	BE250026005	2
21	TUERCA M-6 CON ARANDELA / M6 NUT WITH WASHER	T2306000	2
22	REMACHE D.4X10 ALUMINIO SILENCIOSO / ALUMINIUM SILENCER RIVET	BE250026032	6
23	JUNTA ESCAPE / EXHAUST GASKET	BT27926003	1

# Rueda trasera / Rear wheel

# GAS GAS

# PAMPERA 2002

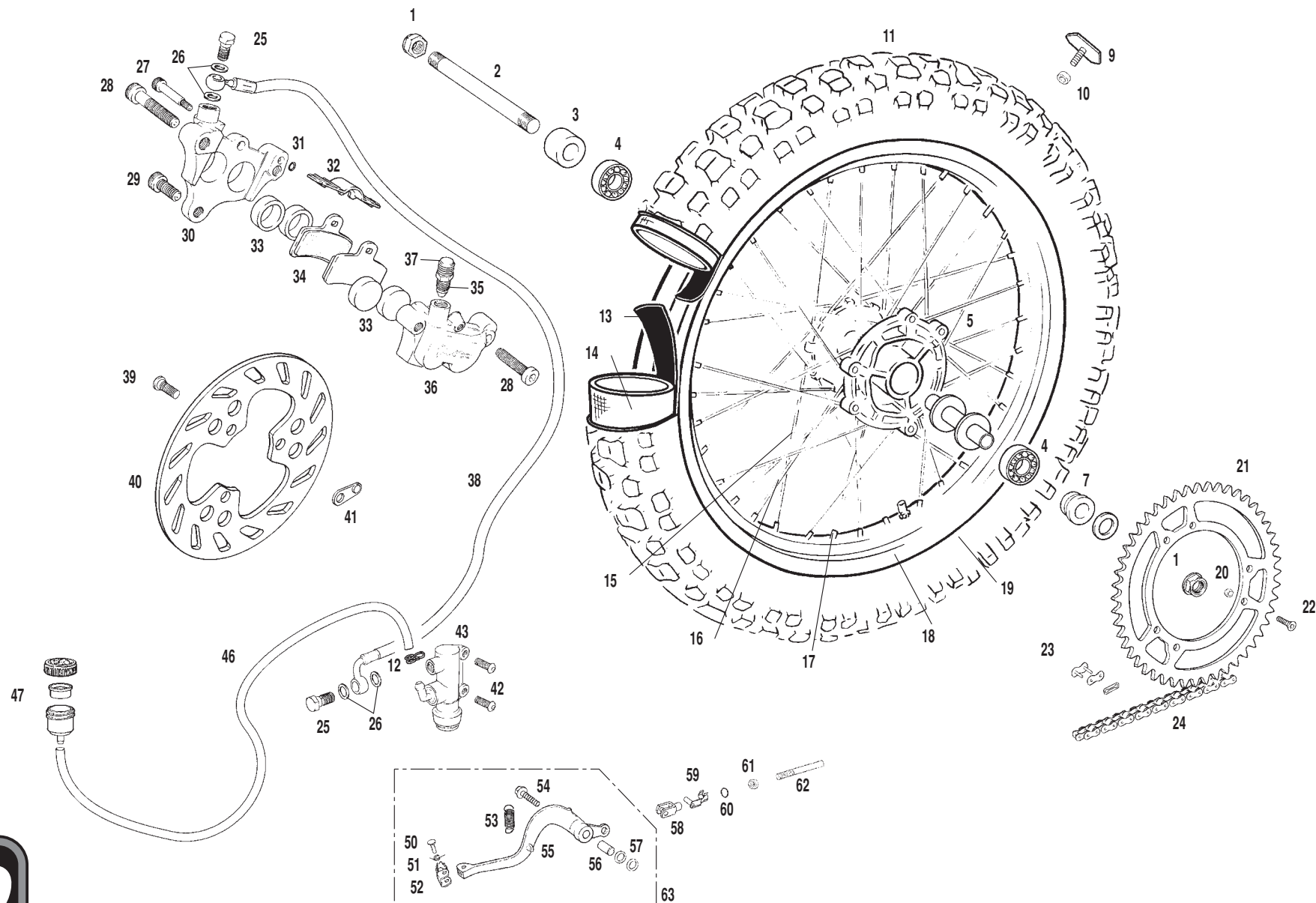


Nº	DESCRIPCION / DESCRIPTION	125 / 250 / 280 c.c.	Cant.
1	TUERCA EJE RUEDA TRASERA / REAR WHEEL AXIS NUT	R640001	2
2	EJE RUEDA TRASERA EC50 / REAR WHEEL AXIS	BIE500118020	1
3	DISTANCIADOR RUEDA TRASERA DER. EC50 / RIGHT REAR WHEEL SPACER	BIE500118021	1
4	COJINETE 6003 DU C3 / 6003 DU C3 BEARING	BIE500118054	2
5	CUBO RUEDA TRASERA ENDUPAMP / ENDUPAMP REAR WHEEL HUB	BEP250218027	1
7	DISTANCIADOR RUEDA TRASERA IZQDA. EC50 / LEFT REAR WHEEL SPACER	BIE500118025	1
9	AGARRE CUBIERTA TRASERA / REAR TYRE HOLDER	BE25618008	1
10	TUERCA CON ARANDELA ESTRIADA M8 / M8 NUT WITH WASHER	T2208000	1
11	RUEDA TRASERA EP2002 / REAR ENDUPAMP WHEEL	BEP250218100	1
12	ABRAZADERA MUELLE M-11.6 / SPRING CLAMP	BE25610044	1
13	GOMA PROTECCIÓN CAMARA 400X18 / REAR RIM BAND	N160000	1
14	CAMARA TRASERA 400X18 / REAR AIR HOSE	N180000	1
15	RADIO LADO FRENO / BRAKE-SIDE SPOKE	BIE500118014	18
16	RADIO LADO CORONA / SPROCKET-SIDE SPOKE	BIE500118015	18
17	TUERCA RADIO TRASERO / REAR SPOKE NUT	BIE500118016	36
18	LLANTA TRASERA / REAR RIM	BIE500118011	1
19	NEUMÁTICO TRASERO / REAR TYRE	BEP250218005	1
20	TUERCA AUTOBLOCANTE M8 ALTA CORONA / HIGH SELF-LOCKING NUT	BE25618031	6
21	CORONA TRASERA HIERRO / REAR IRON SPROCKET	BEP250218024/2	1
22	ALLEN CONICO 8X30 / 8X30 CONIC ALLEN	T0408030	6
23	ENGANCHE CADENA / CHAIN SPLIT LINK	BT28021006	1
24	CADENA 104 PASOS EP250-2002 / ENDUPAMP CHAIN	BEP250210036	1
25	RACORD FIJACION LATIGUILLO / HOSE WASHER	R320000	2
26	ARANDELA LATIGUILLO	BT27922072	4
27	TORNILLO UMBRAKO PASADOR / SCREW	BT27922006	1
28	ALLEN SUJECCIÓN PINZAS FRENO / SUPPORT BRAKE PADS ALLEN	T0318035	2
29	ALLEN 8X20 / 8X20 ALLEN	T0318020	1
30	PINZA FRENO EXTERIOR / EXTERIOR BRAKE PAD	BT27922076	1
31	TORICA PEQUEÑA 3X1,5 / 3X1,5 LITTLE O'RING	BT27922074	1
32	TAPA PLÁSTICO PASTILLAS DE FRENO / BRAKE PADS PLASTIC COVER	BT27920028	1
33	PISTON DE FRENO / BRAKE PISTON	BT27922069	4
34	PASTILLAS DE FRENO TRASERO / REAR BRAKE PADS	BT280022065	2

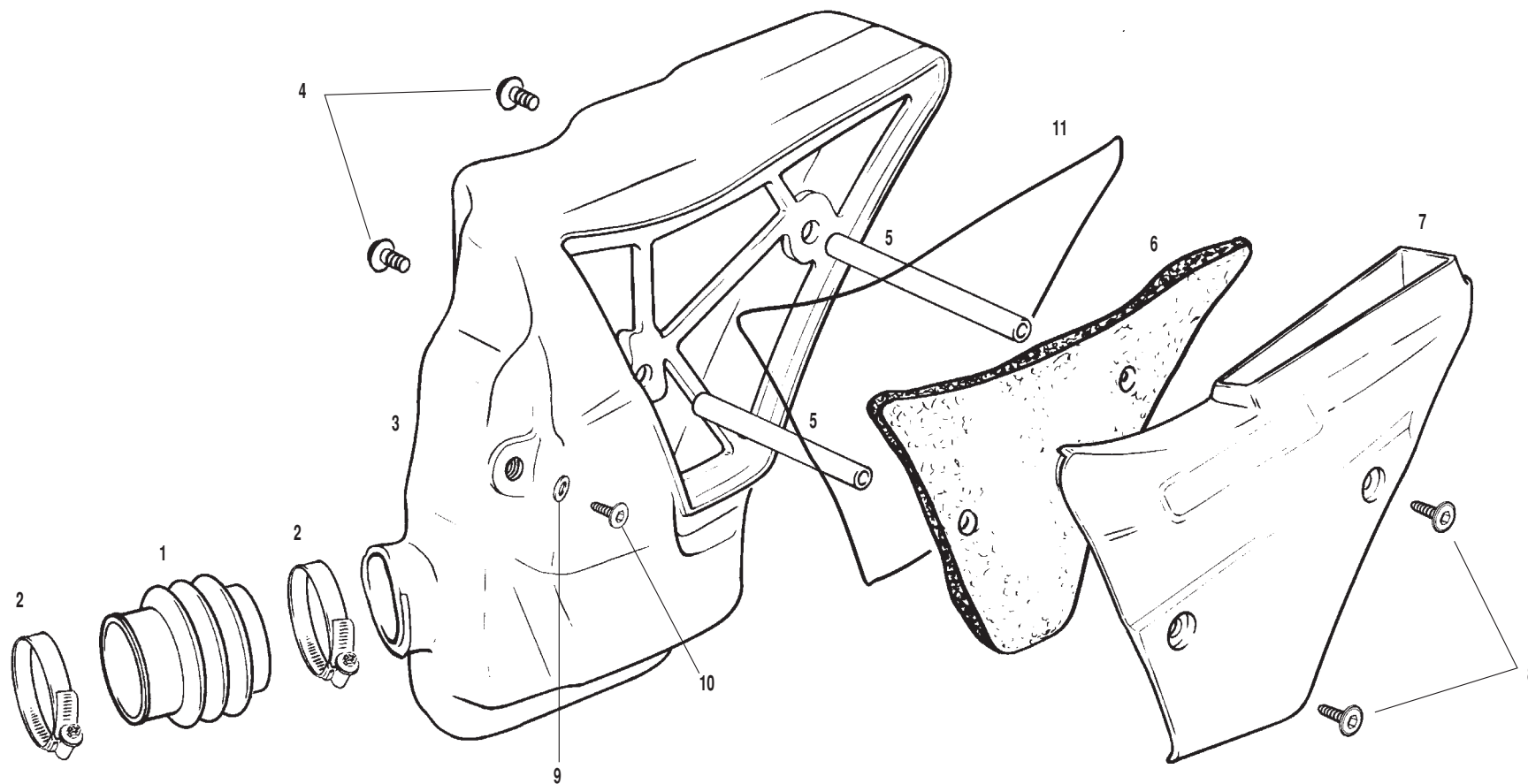
Rueda trasera  
/ Rear wheel

**GAS GAS**

**PAMPERA 2002**

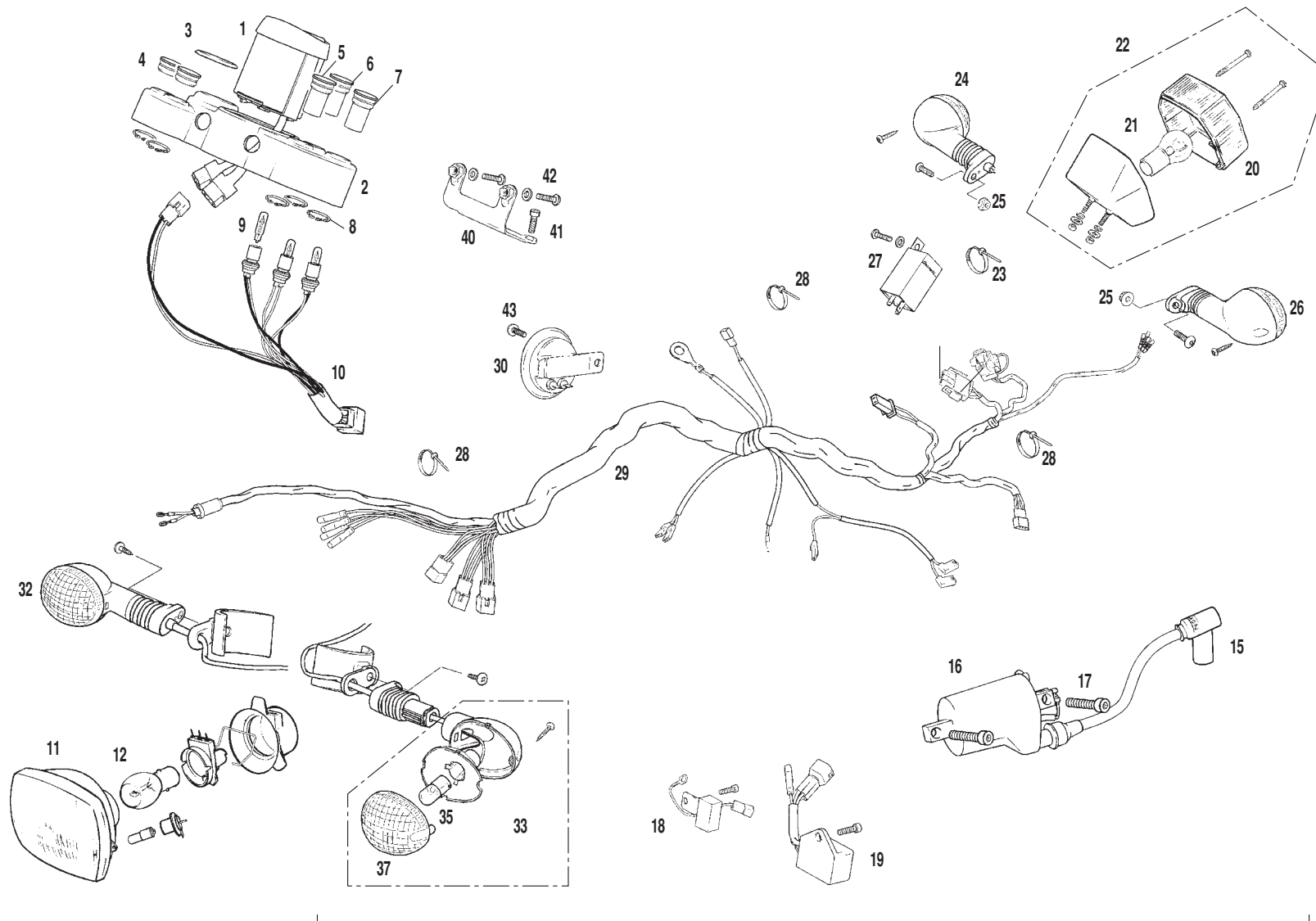


N°	DESCRIPCION / DESCRIPTION	125 / 250 / 280 c.c.	Cant.
35	SANGRADOR PINZA FRENO / BRAKE CALIPER BLEEDER	BT27922060	1
36	PINZA FRENO INFERIOR / INFERIOR BRAKE PAD	BT27922077	1
37	TAPON SANGRADOR PINZA FRENO / BLEEDER CAP	BT27922055	1
38	LATIGUILLO FRENO TRASERO / REAR BRAKE HOSE	BIE500122004	1
39	TORNILLO DISCO TRASERO / REAR DISK SCREW	BE25618032	3
40	DISCO FRENO TRASERO / REAR BRAKE DISC	BE500122012	1
41	IMAN 13 AG / MAGNET	BE120134012	1
42	ULS 6X16 / 6X16 ULS	T0506016	2
43	BOMBA FRENO TRASERO / REAR BRAKE PUMP	R350100	1
46	TUBO LIQUIDO FRENO / BRAKE FLUID TUBE	BE250010116	1
47	DEPÓSITO LIQUIDO DE FRENO / BRAKE FLUID TANK	BE25610016	1
48	BOMBA FRENO TRASERO / REAR BRAKE PUMP	R350100	1
50	REMACHE PUNTERA PEDAL FRENO / BRAKE PEDAL END RIVET	BE25922018	1
51	MUELLE PUNTERA PEDAL FRENO / BRAKE PEDAL END SPRING	ME25636029	1
52	PUNTERA PEDAL FRENO / BRAKE PEDAL END	BT27922017	1
53	MUELLE PEDAL FRENO / BRAKE PEDAL SPRING	BE25610023	1
54	TORNILLO ESPECIAL PEDAL FRENO / BRAKE PEDAL SPECIAL SCREW	T0206014	1
55	PEDAL FRENO EC2000 / EC BRAKE PEDAL	BE250022016	1
56	CASQUILLO PEDAL FRENO / BRAKE PEDAL BUSHING	BEP250210302	1
57	TORICA PEDAL FRENO / BRAKE PEDAL O'RING	ME250036063	2
58	HORQUILLA VARILLA FRENO / BRAKE PIN YOKE	BE25622014	1
59	CHAPA METÁLICA / METALLIC CAP	BE256220022	1
60	TORICA 8X1,5 PEDAL FRENO / BRAKE PEDAL O'RING	BE25622028	1
61	TUERCA M6 / M6 NUT	BT2006000	1
62	VARILLA FRENO TRASERO / REAR BRAKE	BEP250222062	1
63	CTO. PEDAL FRENO TRASERO / REAR BRAKE PEDAL SET	BE250022021	1

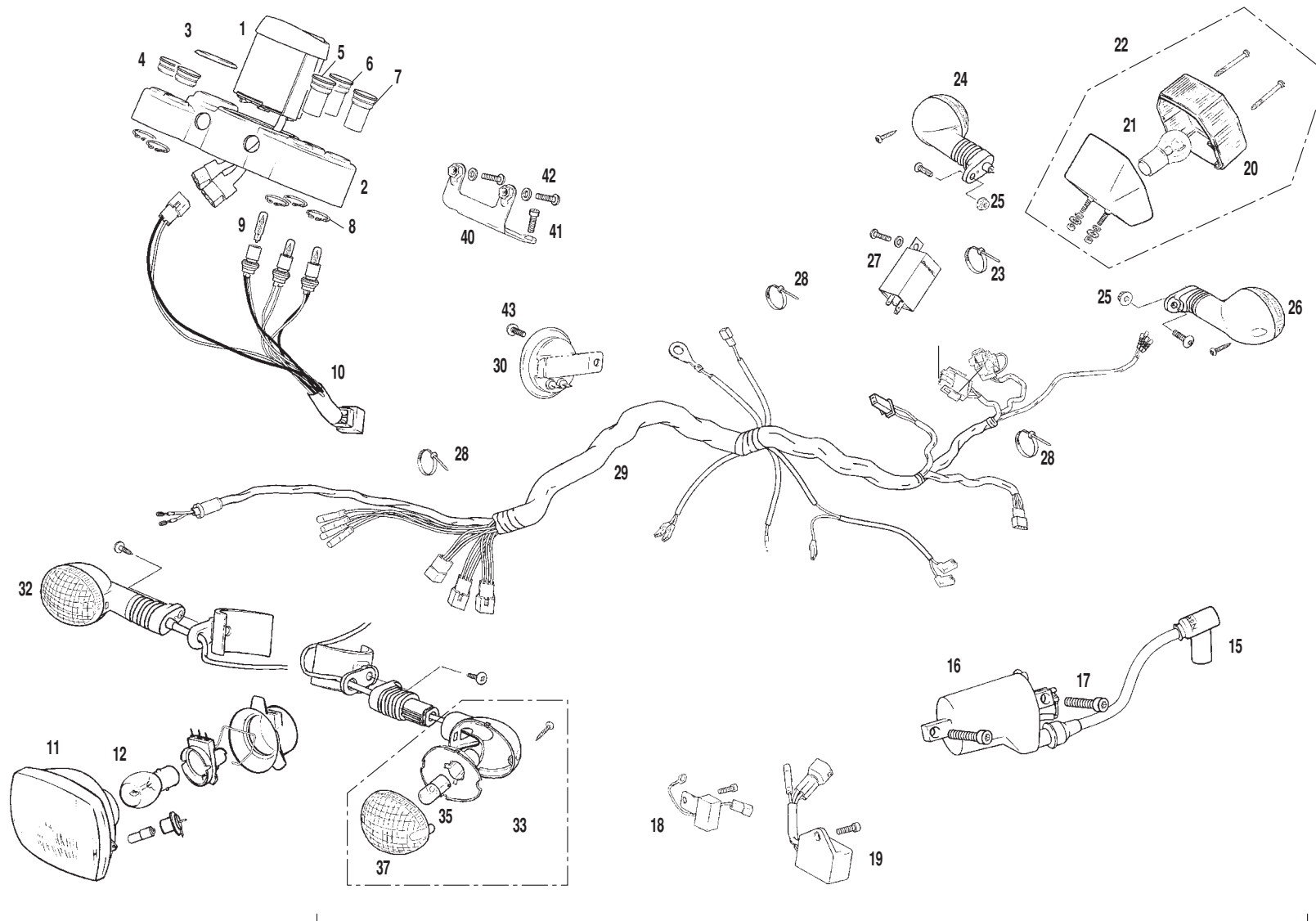




N°	DESCRIPCION / DESCRIPTION	125 / 250 / 280 c.c.	Cant.
1	TUBERA ADMISION 250-270-280 / ADMISSION CONNECTING	M01615004	1
2	ABRAZADERA COBRA / COBRA CLAMP	B640000	1
3	CAJA FILTRO EC 50 / AIR FILTER BOX EC 50	BIE500128015	1
4	TORNILLO PHILIPS 6x15 / 6X15 PHILIPS SCREW	T0706015	2
5	DISTANCIADOR FILTRO AIRE PP / AIR FILTER SPACER PP	BP25728005	2
6	FILTRO AIRE-97 158055 / AIR FILTER-97 158055	BT27728000	1
7	TAPA CAJA FILTRO 97 / AIR FILTER COVER	BT27728010	1
8	ULS 6x16 CON ARANDELA NEGRO / BLACK 6X16 ULS WITH WASHER	T0556016N	2
9	ARANDELA PLANA 6X12X1.5 / 6X12X1.5 PLAIN WASHER	T4006012	1
10	ULS 6X10 DIRECCION / 6X10 STEERING ULS	T0506010	1
11	GOMA CAJA TAPA FILTRO / AIR FILTER BOX CAP RUBBER	BT280028019	1



N°	DESCRIPCION / DESCRIPTION	125 / 250 / 280 c.c.	Cant.
1	MULTIFUNCIÓN ENDURO EC-2001 / ENDURO MULTIFUNCTION	BE250134005	1
2	SOPORTE CTA. KM ENDUPAM / SPEEDMETER HOLDER	BEP250234045	1
3	ADHESIVO HEBO CTA. KM. / SPEED COUNTER HEBO STICKER	PU000138003	1
4	TAPON TESTIGO NEGRO / BLACK INDICATOR CAP	BE250134043	1
5	TESTIGO LUZ INTERMITENTE / INDICATOR LIGHT	BE250134036	1
6	TESTIGO LUZ POSICION EC-2001 / SHORT LIGHT INDICATOR	BE250134037	1
7	TESTIGO LUZ LARGA EC-2001 / LONG LIGHT INDICATOR	BE250134038	1
8	CLIP TESTIGO / LIGHT CLIP	BE250134042	5
9	BOMBILLA 12V1,2-9W / BULB 12V1.2-9W	L300123	4
10	CABLEADO CTA. KM. / SPEED COUNTER	BE250134023	2
11	OPTICA NORMAL 307.10 / STANDARD OPTIC	BE25620024	1
12	BOMBILLA 12V45-45W / BULB 12V45-45W	L300124	1
15	PIPA BUJIA / SPARK PLUG CAP	BE25934000	1
16	BOBINA KOKUSAN IG 3988 / KOKUSAN IGNITION COIL	ME25634006	1
17	ALLEN 6X20 / 6X20 ALLEN BOLT	T0306020	1
18	REGULADOR ALTERNADOR 415 C / ALTERNATOR REGULATOR	L300031	1
19	CDI KOKUSAN CU2538 / KOKUSAN CDI	M02812103	1
20	CRISTAL FARO TRASERO / REAR LIGHT CAP	BP25734115	1
21	BOMBILLA 12V5-21W / BULB 12V5-21W	L300116	1
22	FARO PILOTO PP 250-97 / PILOT LIGHT	BP25734015	1
23	BRIDA UNEX CORTA 2221-0 2.5X98 / SHORT UNEX CLAMP	BE25634010	1
24	INTERMITENTE IZQUIERDO TRASERO / LEFT REAR INDICATOR LIGHT	L300736	1
25	TUERCA D.12 PAS 125 (INTER.) / M12 NUT	L300733	1
26	INTERMITENTE DERECHO TRASERO / RIGHT REAR INDICATOR LIGHT	L300738	1
27	CAJA INTERMITENCIAS / INDICATION BOX	L300720	1
28	BRIDA UNEX 2244 4.8X20 / 2244 4.8X20 UNEX CLAMP	BE25634009	3
29	CABLEADO ENDUPAM / WIRES SET ENDUPAM	BEP250234004	1
30	CTO. CLAXON / HORN SET	L300105	1
31	INSTALACIÓN ELECTRICA ENDUPAM / ENDUPAMP ELECTRICAL INSTALLATION	BIE500134085	1
32	INTERMITENTE DERECHO DELANTERO / RIGHT FRONT INDICATOR	L300734	1
33	INTERMITENTE IZQUIERDO DELANTERO / LEFT FRONT INDICATOR	L300735	1
35	BOMBILLA INTERMITENTE / INDICATOR BULB	BE250134036	4

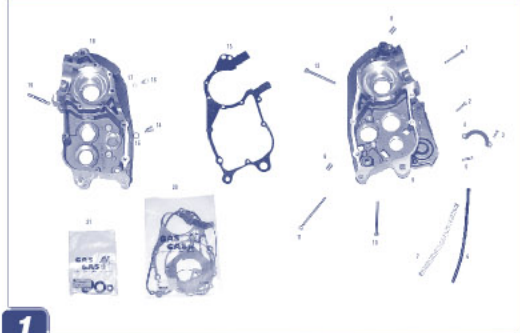


N°	DESCRIPCION / DESCRIPTION	125 / 250 / 280 c.c.	Cant.
37	TAPA INTERMITENTE / INDICATOR LIGHT COVER	BE250134120	4
40	PLATINA SOPORTE MULTIFUNCION / UPPER MULTIFUNCTION SUPPORT	BEP250234045	1
41	ALLEN 5X10 / 5X10 ALLEN BOLT	T0305010	1
42	ULS 6X16 / 6X16 ULS	T0506016	2
43	ULS 6X14 CON ARANDELA / 6X14 ALLEN WITH WASHER	T0556014	1



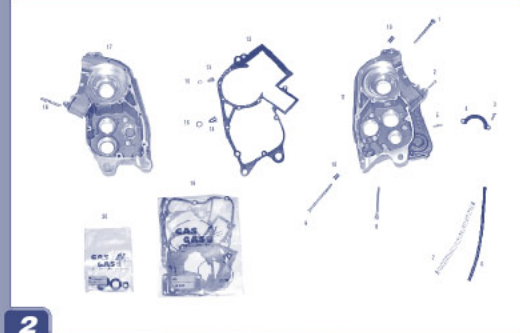
# MOTOR

Carter / Crankcase **GAS GAS** PAMPERA 125



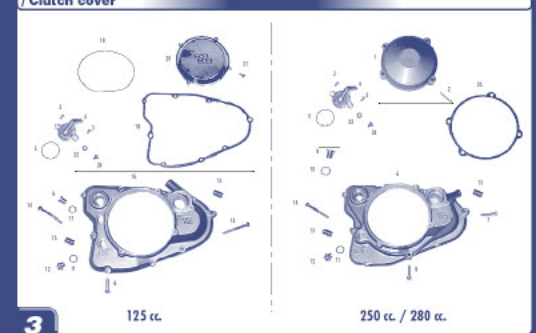
1

Carter / Crankcase **GAS GAS** PAMPERA 250/280



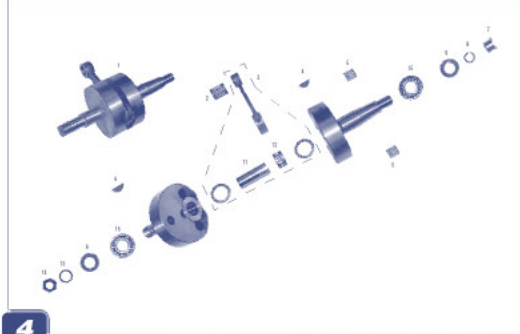
2

Tapa embrague / Clutch cover **GAS GAS** PAMPERA 2002



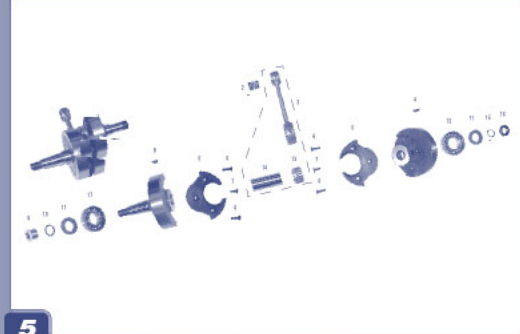
3

Cigüeñal / Crankshaft **GAS GAS** PAMPERA 125



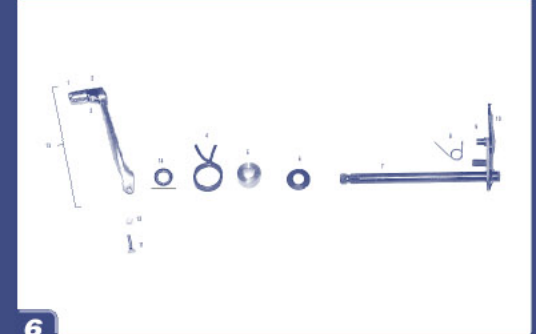
4

Cigüeñal / Crankshaft **GAS GAS** PAMPERA 250/280



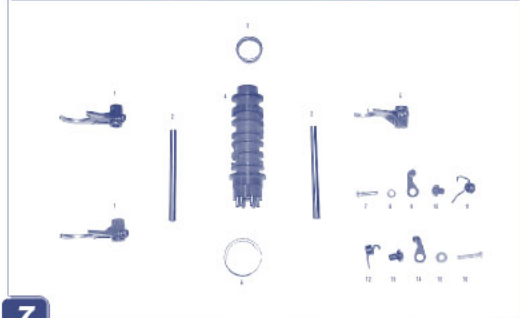
5

Pedal cambio / Gear lever **GAS GAS** PAMPERA 2002



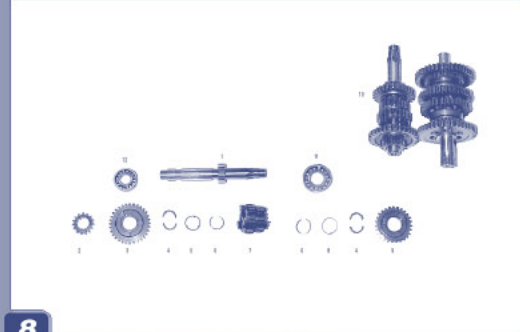
6

Grupo selector / Shift cam **GAS GAS** PAMPERA 2002



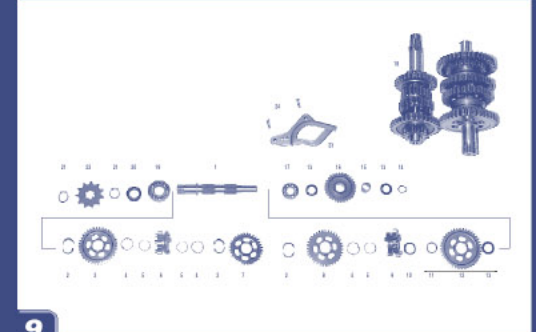
7

Cambio / Gear **GAS GAS** PAMPERA 2002



8

Cambio / Gear **GAS GAS** PAMPERA 2002



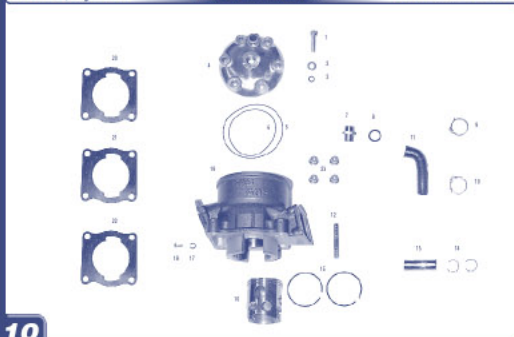
9

# DESPIECE



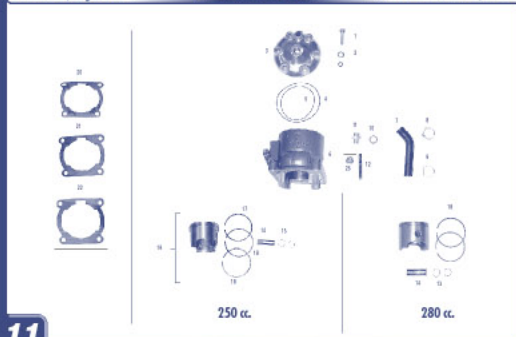
# ENGINE

Cilindro / Cylinder **GAS GAS** PAMPERA 125



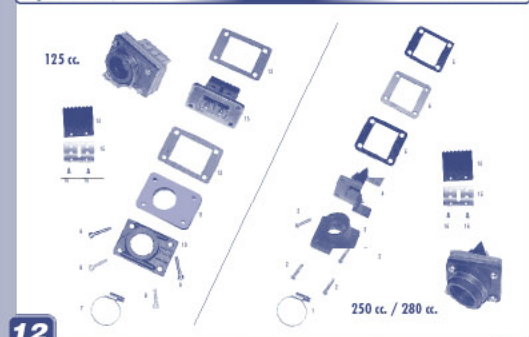
10

Cilindro / Cylinder **GAS GAS** PAMPERA 250/280



11

Caja láminas / Reed block **PAMPERA 2002**



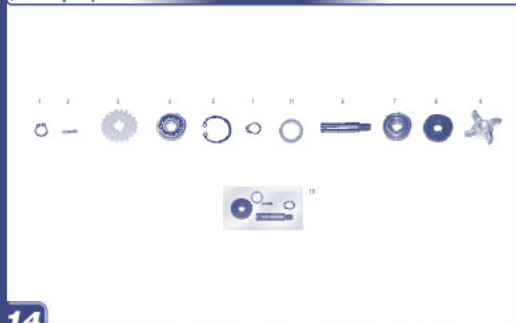
12

Embrague / Clutch **GAS GAS** PAMPERA 2002



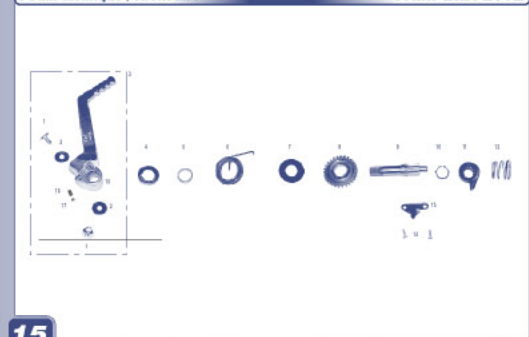
13

Conjunto bomba / Water pump set **GAS GAS** PAMPERA 2002



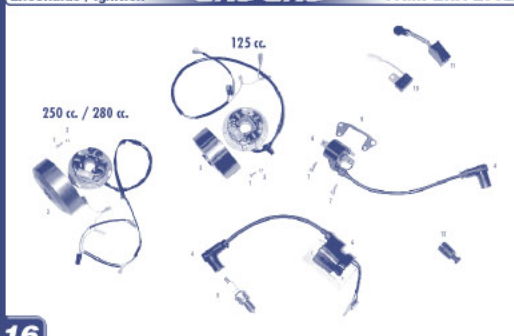
14

Pedal arranque / Kickstart **PAMPERA 2002**



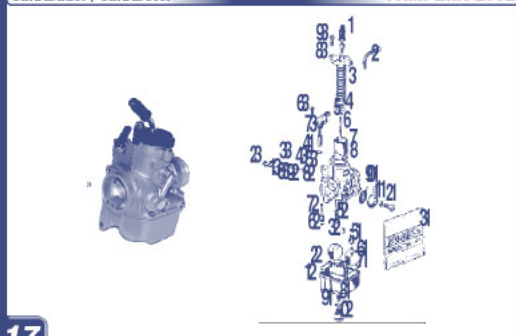
15

Encendido / Ignition **GAS GAS** PAMPERA 2002



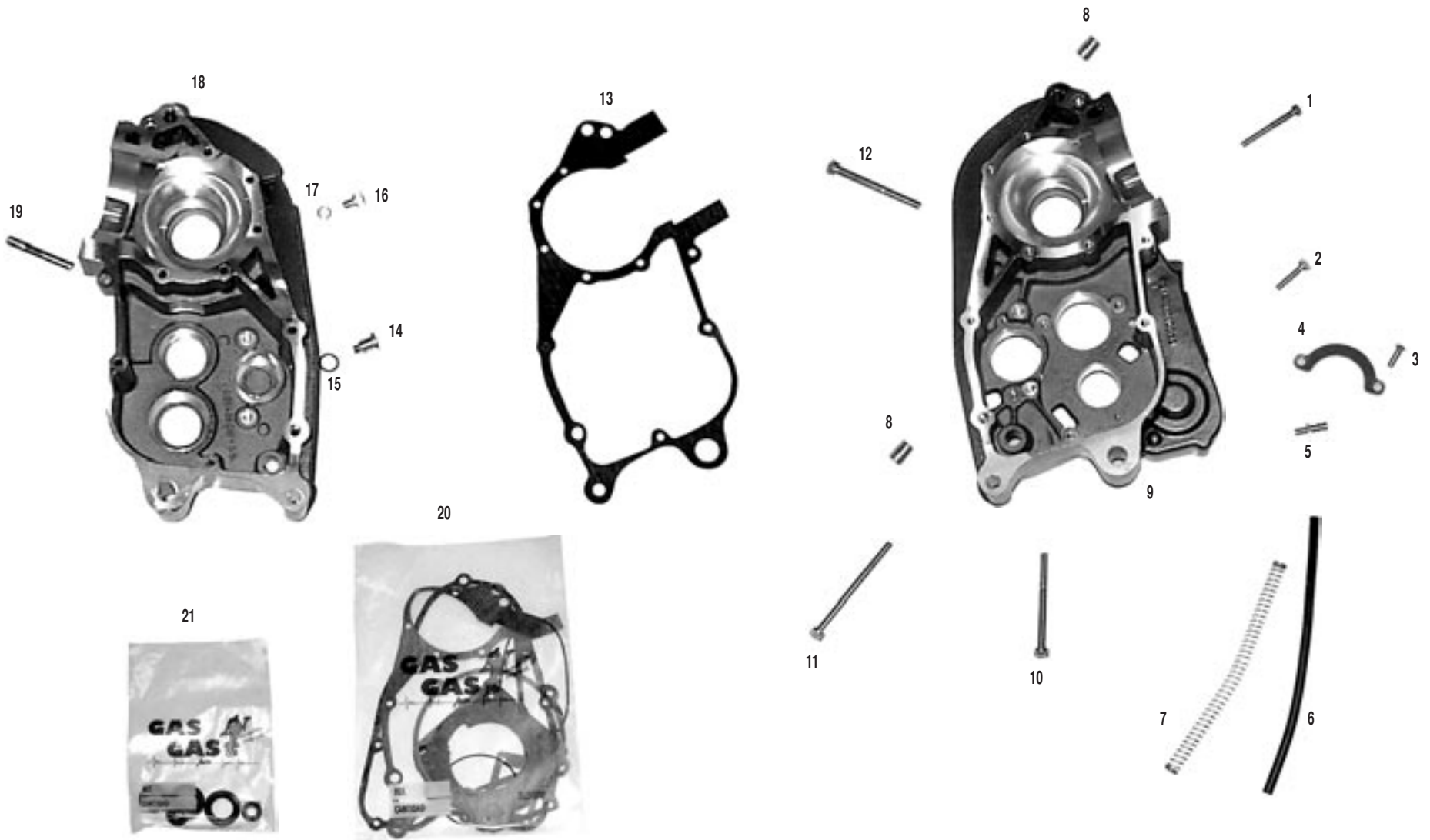
16

Carburador / Carburetor **PAMPERA 2002**

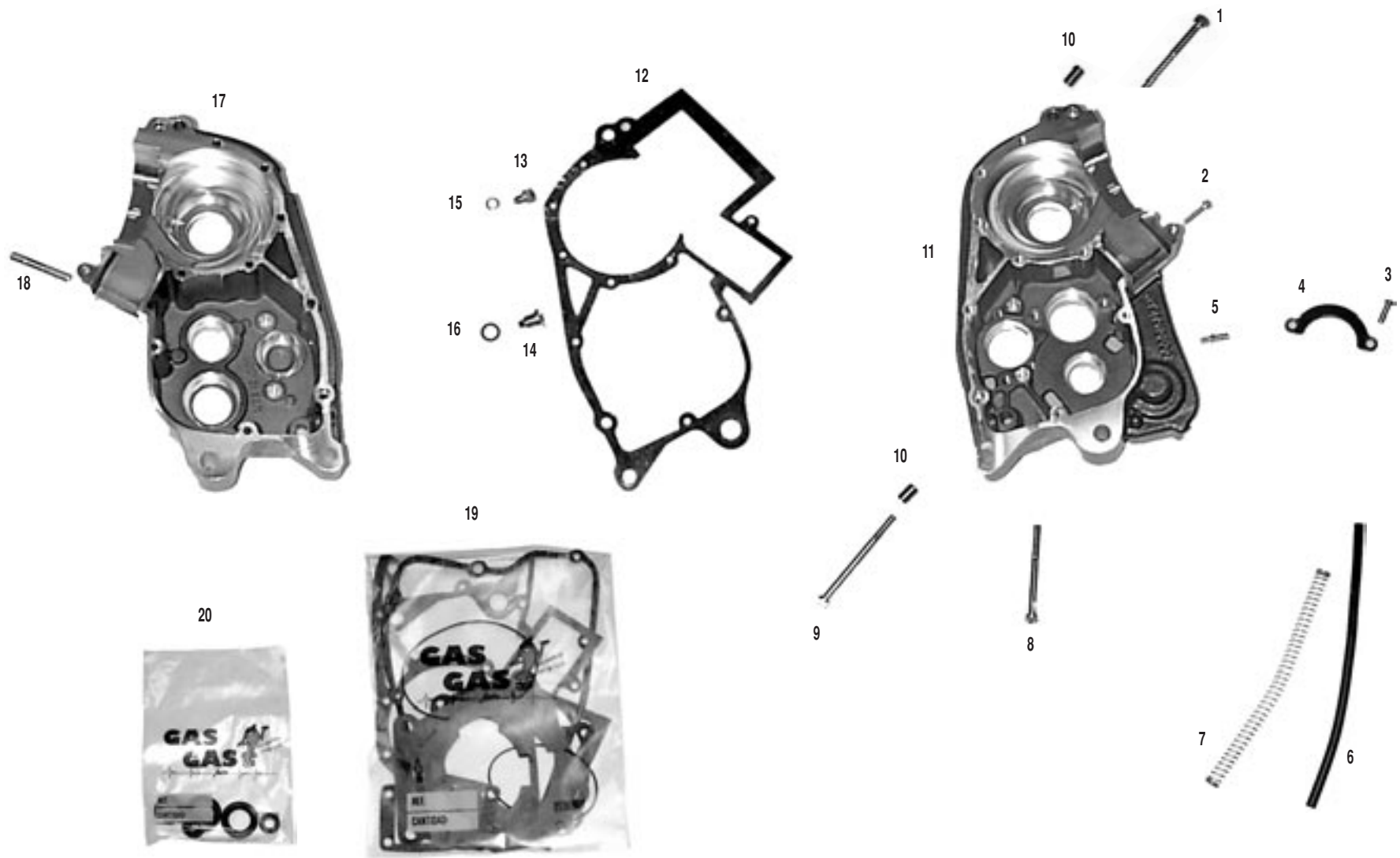


17

# PART LIST



Nº	DESCRIPCION / DESCRIPTION	125 c.c.	Cant.
1	ALLEN 6X50 DIN 912 CÁRTER / 6X50 ALLEN	T0306050	4
2	ALLEN 6X35 / 6X35 ALLEN	T0306035	1
3	ULS 6X16 / 6X16 ULS	T0506016	2
4	PLATINA PRIMARIO / KICKSTART PLATE	M02628001	1
5	DESVAPORIZADOR CÁRTER / CRANKCASE BREATHER	M01032001	1
6	TUBO SOBRANTE RADIADOR 5X8 / 5X8 BREATHER TUBE	G460000	1
7	MUELLE DESVAPORIZADOR / BREATHER SPRING	M150000	1
8	CASQUILLO CENTRADOR CÁRTER 6X9X14 / CRANKCASE CENTRER BUSHING	M01017000	2
9	CÁRTER DERECHO / RIGHT CRANKCASE	MT120010000	1
10	ALLEN 6X70 8.8 CÁRTER / 6X70 ALLEN	T0306070	3
11	ALLEN 6X80 DIN 912 CÁRTER / 6X80 ALLEN	T0306080	1
12	ALLEN 6X60 / 6X60 ALLEN	T0306060	2
13	JUNTA CÁRTER 0.3 / CRANKCASE GASKET	M04429005	1
14	TAPÓN VACIADO ACEITE CON IMÁN / CAP OIL WITH MAGNET	M01016005	1
15	TORICA TORNILLO ACEITE 12X2X / LEVEL PLUG O'RING	M01016100	1
16	ALLEN 8X10 / 8X10 ALLEN	T0308010	1
17	ARANDELA COBRE 8X12 / WASHER COPPER 8X12	M01033000	1
18	CÁRTER IZQUIERDO / LEFT CRANKCASE	MT120010001	1
19	ESPÁRRAGO CILINDRO LARGO / STUD, BOLT CYLINDER	M01612005	4
20	KIT JUNTAS TRIAL 8 / GASKETS TRIAL 8 KIT	MT12944100	1
21	CTO. RETENES TRIAL / CPT. OIL SEAL TRIAL	MT27944200	1



N°	DESCRIPCION / DESCRIPTION	250 / 280 c.c.	Cant.
1	ALLEN 6X50 DIN 912 CARTER / 6X50 ALLEN BOLT	T0306050	4
2	ALLEN 6X25 / 6X25 ALLEN BOLT	T0306025	1
3	ULS 6X16 / 6X16 ULS	T0506016	2
4	PLATINA PRIMARIO / KICKSTART PLATE	M02628001	1
5	TUBO DESVAPORIZADOR CARTER / BREATHER CRANKCASE TUBE	M01032001	1
6	TUBO SOBRANTE RADIADOR 5X8 / BREATHER 5X8 TUBE	G460000	1
7	MUELLE DESVAPORIZADOR / BREATHER SPRING	M150000	1
8	ALLEN 6X70 8.8 CÁRTER / 6X70 ALLEN BOLT	T0306070	5
9	ALLEN 6X80 DIN 912 CARTER / 6X80 ALLEN BOLT	T0306080	1
10	CASQUILLO CENTRADOR CARTER 6X9X14 / BUSHING CENTRALIZE CRANKCASE	M01017000	2
11	CÁRTER DERECHO / RIGHT CRANKCASE	MT280010000	1
12	JUNTA CARTER 0.3 / CRANKCASE GASKET	MT27944001	1
13	ALLEN 8X10 / 8X10 ALLEN BOLT	T0308010	1
14	TAPÓN VACIADO ACEITE CON IMÁN / EMPTY CAP OIL WITH MAGNET	M01016005	1
15	ARANDELA COBRE 8X12 / WASHER COPPER 8X12	M01033000	1
16	ARANDELA COBRE 12X18X1.5 / WASHER COPPER 12X18X1.5	ME25810030	1
17	CARTER IZQUIERDO / LEFT CRANKCASE	MT280010001	1
18	ESPÁRRAGO CILINDRO LARGO / STUD,BLOT CYLINDER	M01612003	4
19	KIT JUNTAS TRIAL Y PAMPERA / KIT GASKETS TRIAL AND PAMPERA	MT27944100	1
20	CTO. RETENES TRIAL / OIL SEAL TRIAL SET	MT27944200	1

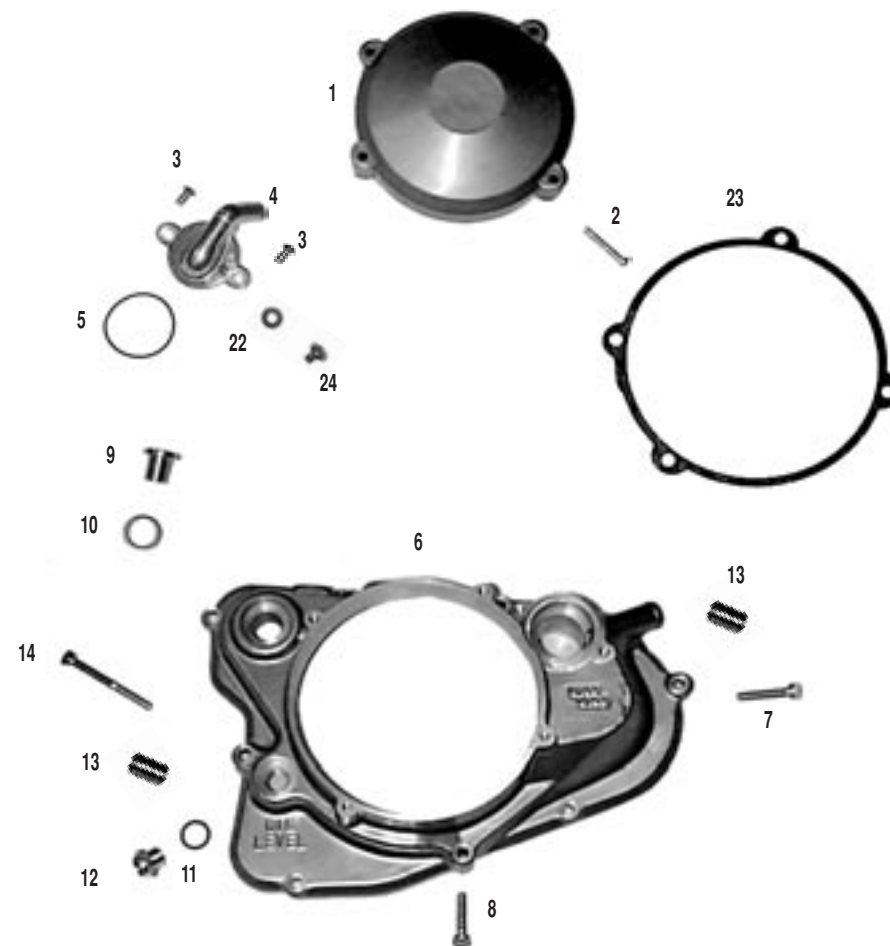
# Tapas embrague / Clutch cover

# GAS GAS

# PAMPERA 2002



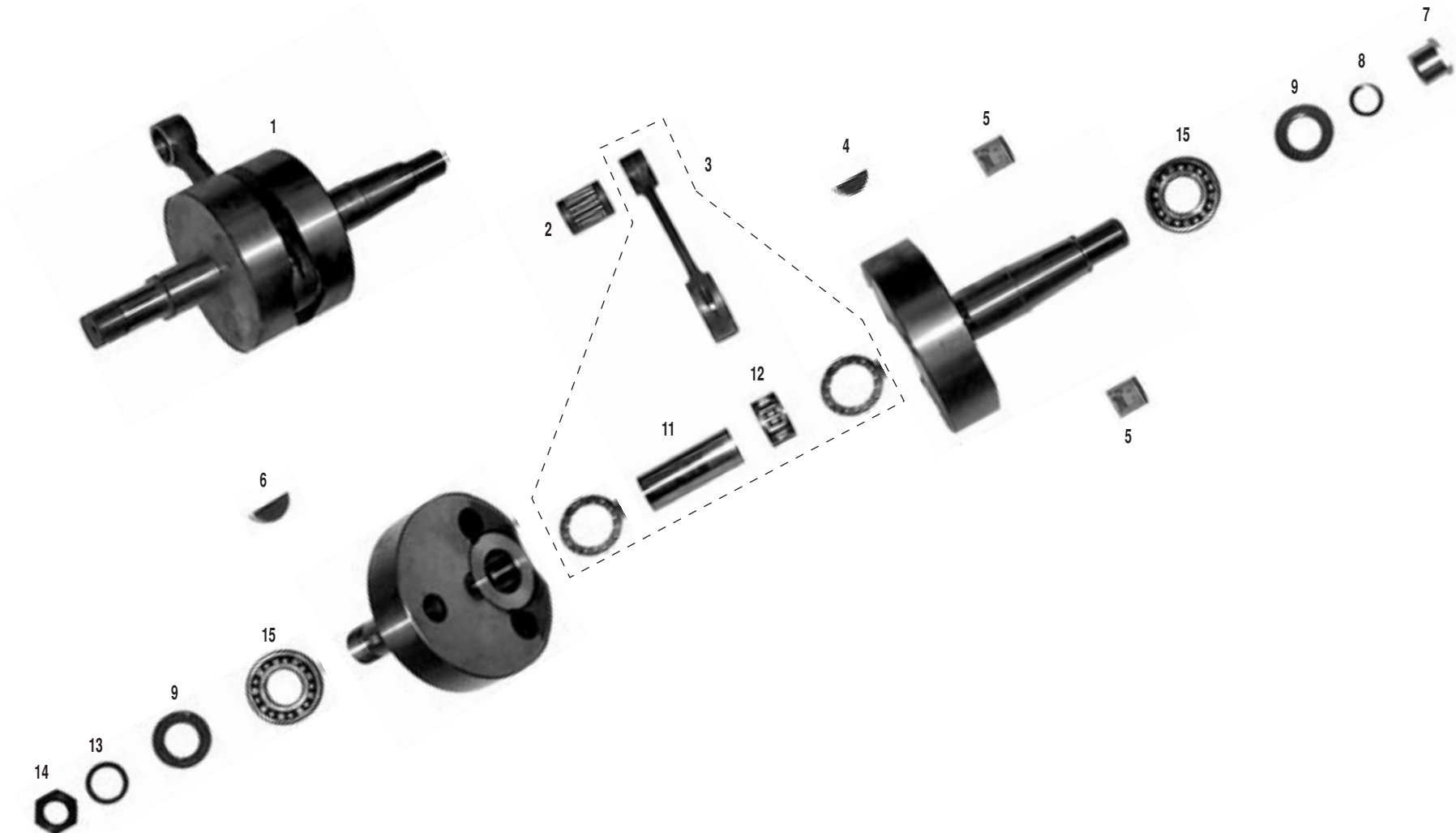
125 cc.



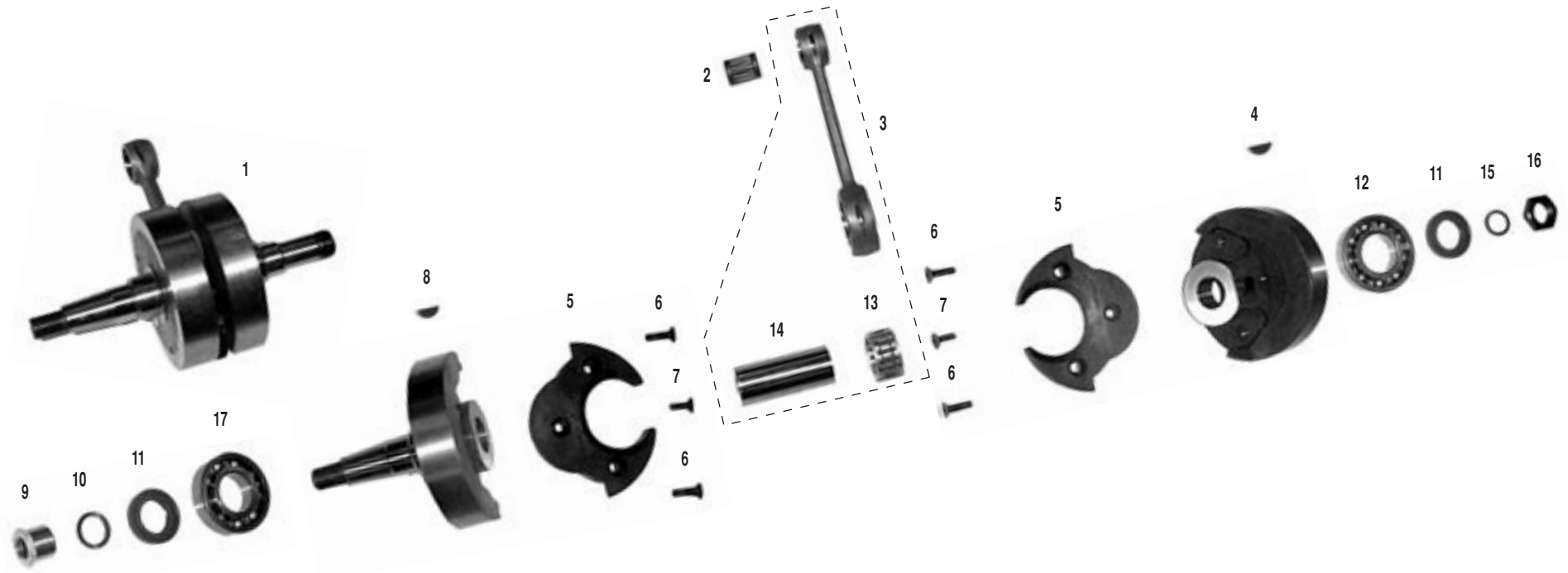
250 cc. / 280 cc.



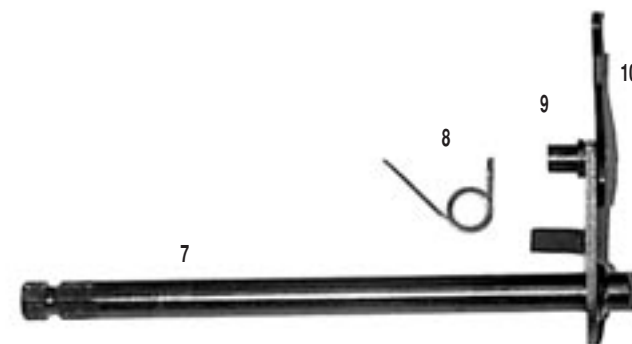
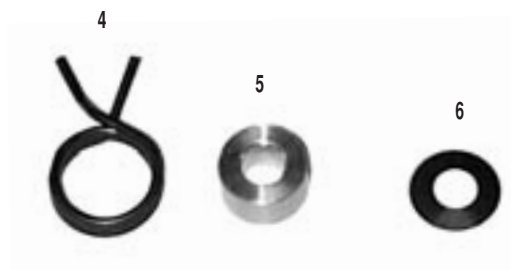
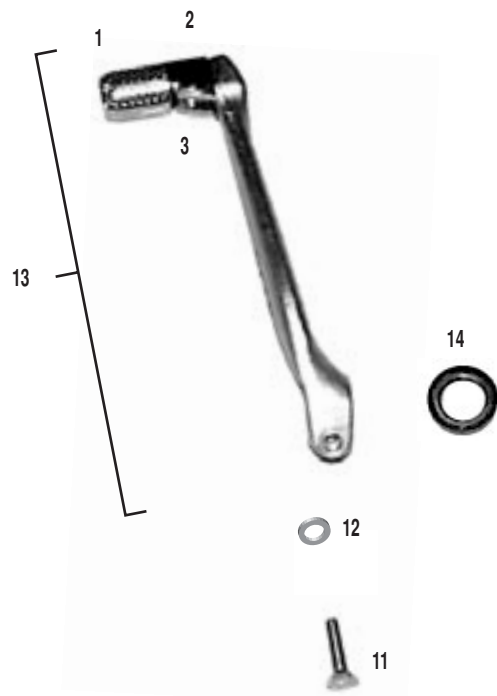
Nº	DESCRIPCION / DESCRIPTION	125 c.c.	250 / 280 c.c.	Cant.
1	TAPA VOLANTE / FLY-WHEEL COVER		MT280110004	1
2	ULS 6X35 / SCREW, BOLT ALLEN 6X35		T0506035	4
3	ULS 6X10 DIRECCIÓN / SCREW, BOLT ALLEN 6X10		T0506010	2
4	TAPA BOMBA DE AGUA / WATER PUMP COVER	M01012110	MT280010008	1
5	TORICA TAPA BOMBA AGUA / O'RING WATER PUMP COVER		M04433000	1
6	TAPA EMBRAGUE 99 / CLUTCH COVER		MT27932001	1
7	ALLEN 6X30 / 6X30 ALLEN		T0306030	3
8	ALLEN 6X25 / 6X25 ALLEN		T0306025	4
9	TAPÓN ACEITE / OIL PLUG		M01016002	1
10	ARANDELA DE COBRE 12X18X1.5 / COPPER WASHER		ME25810030	1
11	ARANDELA FIBRA 10X14X1.5 / FIBER WASHER		M01033005	1
12	VISOR NIVEL ACEITE ALUMINIO / OIL LEVEL CLEAR PLUG		M01016110	1
13	CASQUILLO CENTRADOR CARTER / CRANKCASE CENTRER BUSHING		M01017000	2
14	ALLEN 6X35 / 6X35 ALLEN		T0308035	2
16	TAPA EMBRAGUE 125-200, 98 / COVER CLUTCH 125-200	MT27732001CA		1
17	TORICA TAPÓN ACEITE 12X16X1.5 / O'RING OIL PLUG	M01016100		1
18	JUNTA TAPA EMBRAGUE / COVER CLUTCH GASKET	M04430002		1
19	TORICA TAPA EMBRAGUE / O'RING CLUTCH COVER	M04434000		1
20	TAPA EMBRAGUE PULIDA / COVER CLUTCH MINOR		M01012250	1
21	ULS 5X12 / 5X12 ULS		T0505012	4
22	ARANDELA FIBRA M5X10 TAPA BOMBA / WASHER FIBER M5X10		T4005008	1
23	JUNTA TAPA VOLANTE / GASKET FLY-WHEEL COVER	MT27844004	M04431000	1
24	TORNILLO PHILIPS M5X8 / SCREW, BOLT PHILIPS M5X8		T0705080	1



Nº	DESCRIPCION / DESCRIPTION	125 c.c.	Cant.
1	CTO. CIGÜEÑAL 125-200 TRIAL / CRANK SHAFT ASSEMBLY SET	M01210001	1
2	COJINETE AGUJAS 16X20X23 / SMALL END BEARING	M01411100	1
3	CTO. BIELA 125-200 / CPT. CON ROD ASSEMBLY	M01218110	1
4	CHAVETA PIÑÓN CONTRAPESO / PINION KEY	M01223000	1
6	CHAVETA VOLANTE / IGNITION KEY	M01224000	1
7	TUERCA M16X150 / M16X150 NUT	M01222000	1
8	ARANDELA VOLANTE MAGNÉTICO / MAGNETIC IGNITION WASHER	M01221000	1
9	RETEN CIGÜEÑAL 25-40-8ASFP / CRANK SHAFT OIL SEAL	M01217001	2
10	COJINETE CIGÜEÑAL / CRANK SHAFT BEARING	M01216002	1
11	BULON CIGÜEÑAL / CRANK SHAFT PIN	M01414002	1
12	COJINETE CABEZA BIELA 24X30X16.8 / BIG END BEARING	M01415001	1
13	ARANDELA ESTRIADA INTR. D.20 / WASHER	M01219000	1
14	TUERCA PIÑÓN CONTRAPESO / CRANK SHAFT PINIONNUT	M01220000	1
15	COJINETE CIGÜEÑAL 6205 ETN9/C4 / CRANKSHAFT BEARING	M012160021	1



Nº	DESCRIPCION / DESCRIPTION	250 / 280 c.c.	Cant.
1	CTO. CIGÜEÑAL 250-270 TRIAL / CPT.CRANK SHAFT ASSEMBLY	MT27912000	1
2	COJINETE AGUJAS PIE BIELA 16X20X23 / SMALL END BEARING	M01411100	1
3	CONJUNTO BIELA 249-270 / CPT. CON ROD ASSEMBLY	MT27812100	1
4	CHAVETA PIÑÓN CONTRAPESO / COUNTERWEIGHT PINION KEY	M01223000	1
5	NYLON CONTRAPESO / NYLON COUNTERWEIGHT	MT32912021	2
6	TORNILLO CONICO 6X20 / 6X20 CONIC BOLT	T0406020	4
7	TORNILLO CONICO 6X16 / 6X16 CONIC BOLT	T0406016	2
8	CHAVETA VOLANTE / IGNITION KEY	M01224000	1
9	TUERCA VOLANTE / IGNITION NUT	M01222000	1
10	ARANDELA VOLANTE MAGNÉTICO / MAGNETIC GNITION WASHER	M01221000	1
11	RETEN CIGÜEÑAL 25-40-8 ASFP / CRANK SHAFT OIL SEAL	M01217001	2
12	COJINETE CIGÜEÑAL 6206 C3 / CRANK SHAFT BEARING	M01216001	2
13	COJINETE CABEZA BIELA 24X30X16.8 / BIG END BEARING	M01415001	1
14	BULON CIGÜEÑAL / CRANK SHAFT PIN	M01414001	1
15	ARANDELA ESTRIADA / PINION CRANK SHAFT WASHER	M01219000	1
16	TUERCA PIÑÓN CONTRAPESO / PINION CRANK SHAFT NUT	M01220000	1
17	COJINETE / BEARING	MT280012006	1



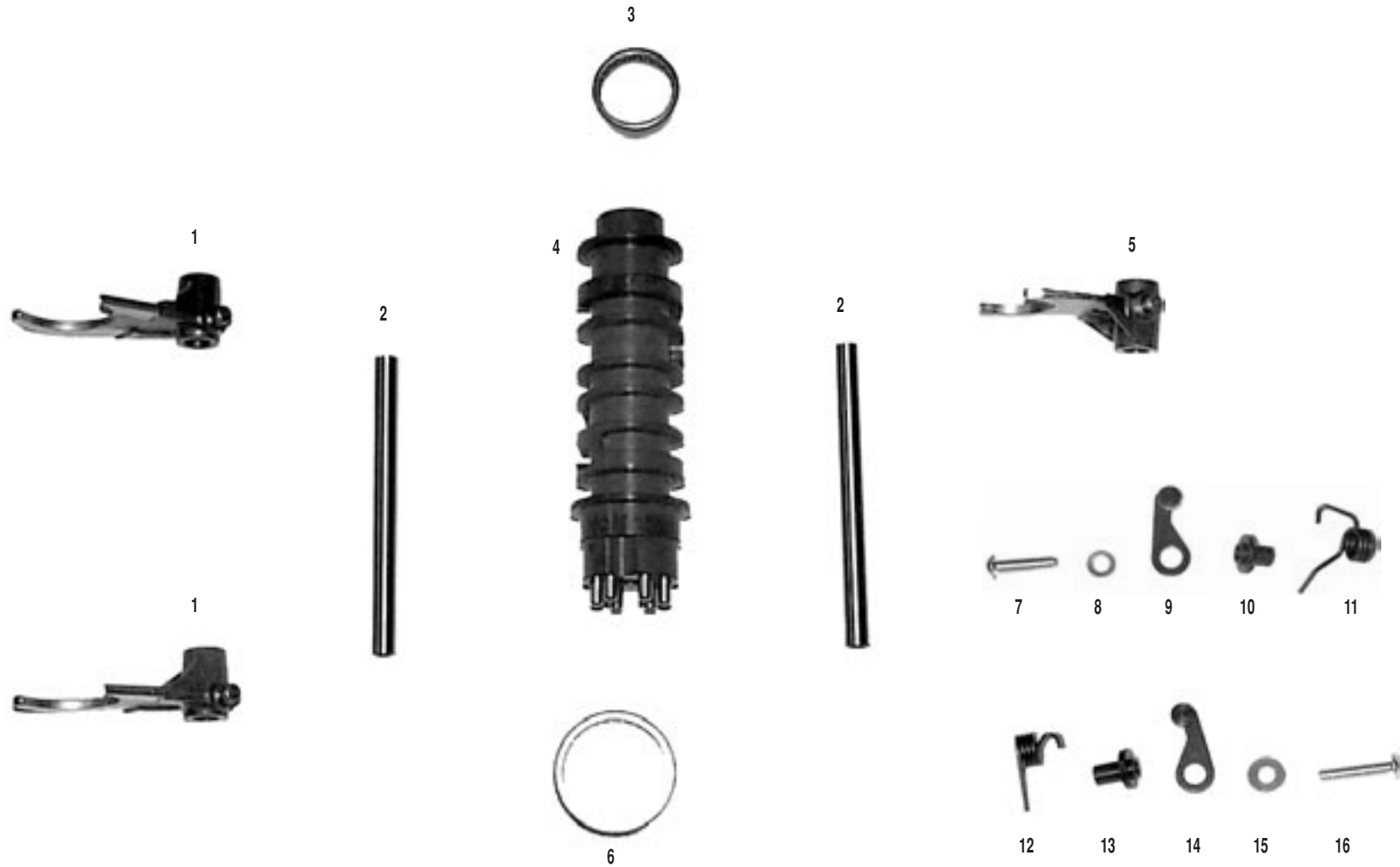


N°	DESCRIPCION / DESCRIPTION	125 / 250 / 280 c.c.	Cant.
1	PUNTERA PEDAL CAMBIO 5644010 / <i>PEDAL, END GEAR LEVER</i>	M03810050	1
2	REMACHE PUNTERA CAMBIO 6X18 / <i>RIVET PEDAL, END</i>	M03810010	1
3	MUELLE PUNTERA PEDAL CAMBIO / <i>PEDAL END GEAR LEVER SPRING</i>	M121000	1
4	MUELLE RETORNO SELECTOR / <i>COME BACK GEAR LEVER SPRING</i>	M03812000	1
5	CASQUILLO MUELLE SELECTOR / <i>SPRING GEAR LEVER PIVOT BUSH</i>	M03813000	1
6	ARANDELA CAMBIO 26X12.2X0.3 / <i>CHANGE WASHER</i>	M03810015	1
7	CTO. EJE SELECTOR / <i>CPT. GEAR LEVER AXLE</i>	M03811001	1
8	MUELLE PLATINA ESCORPIÓN / <i>SCORPION WORK TABLE SPRING</i>	M03817301	1
9	REMACHE PLATINA ESCORPIÓN / <i>SCORPION RIVET WORK TABLE</i>	M03811005	1
10	PLATINA ESCORPIÓN / <i>SCORPION WORK TABLE</i>	M03811100	1
11	HEXAGONAL 6X20 / <i>6X20 HEXAGONAL</i>	T0106020	1
12	ARANDELA PLANA 6X12X1,5 / <i>6X12X1,5 PLANE WASHER</i>	T4006012	1
13	PEDAL CAMBIO / <i>CHANGE PEDAL</i>	MT27936026	1
14	RETEN SELECTOR / <i>SELECTOR OIL SEAL</i>	M03821000	1

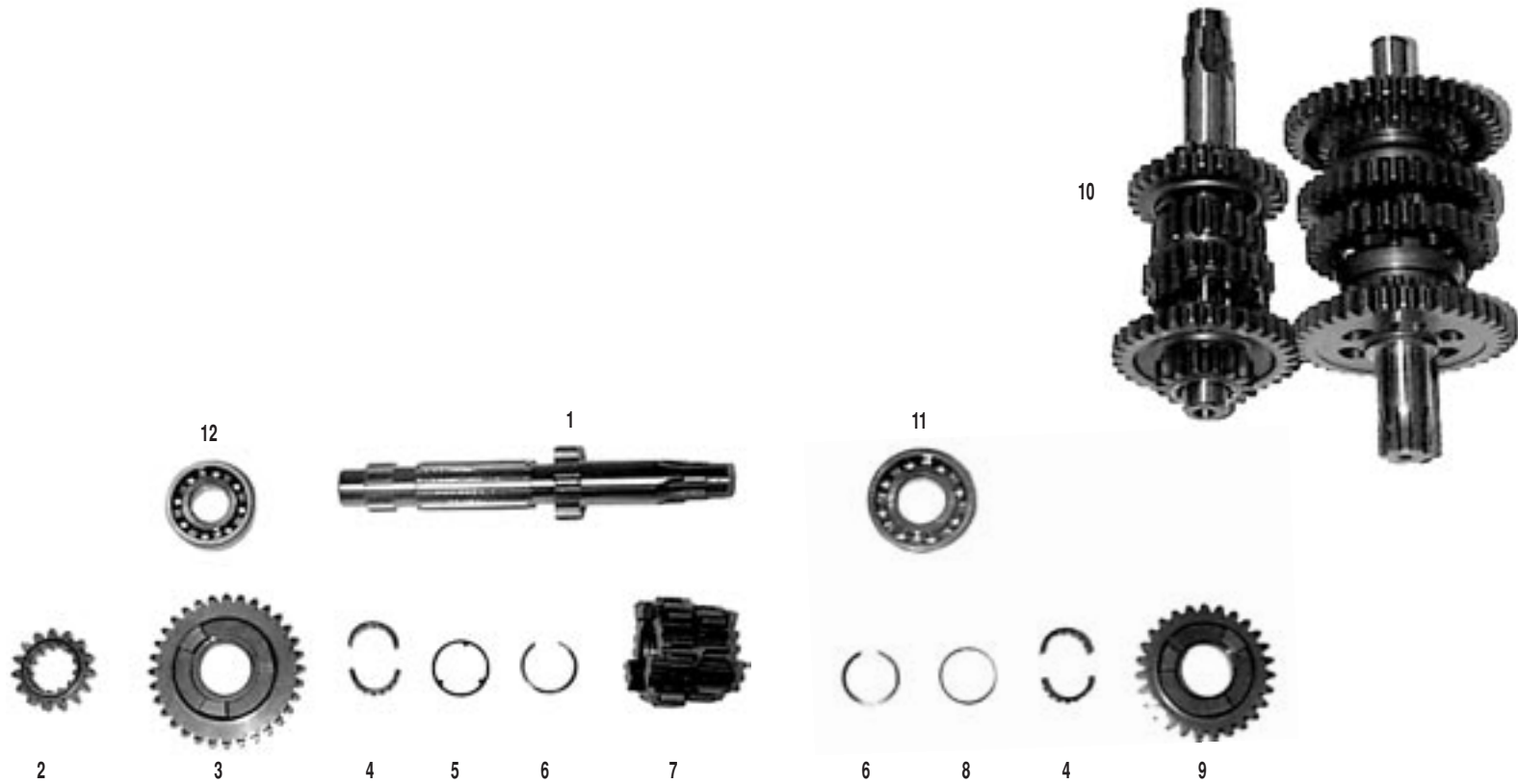
**Grupo selector  
/ Shift cam**

***GAS GAS***

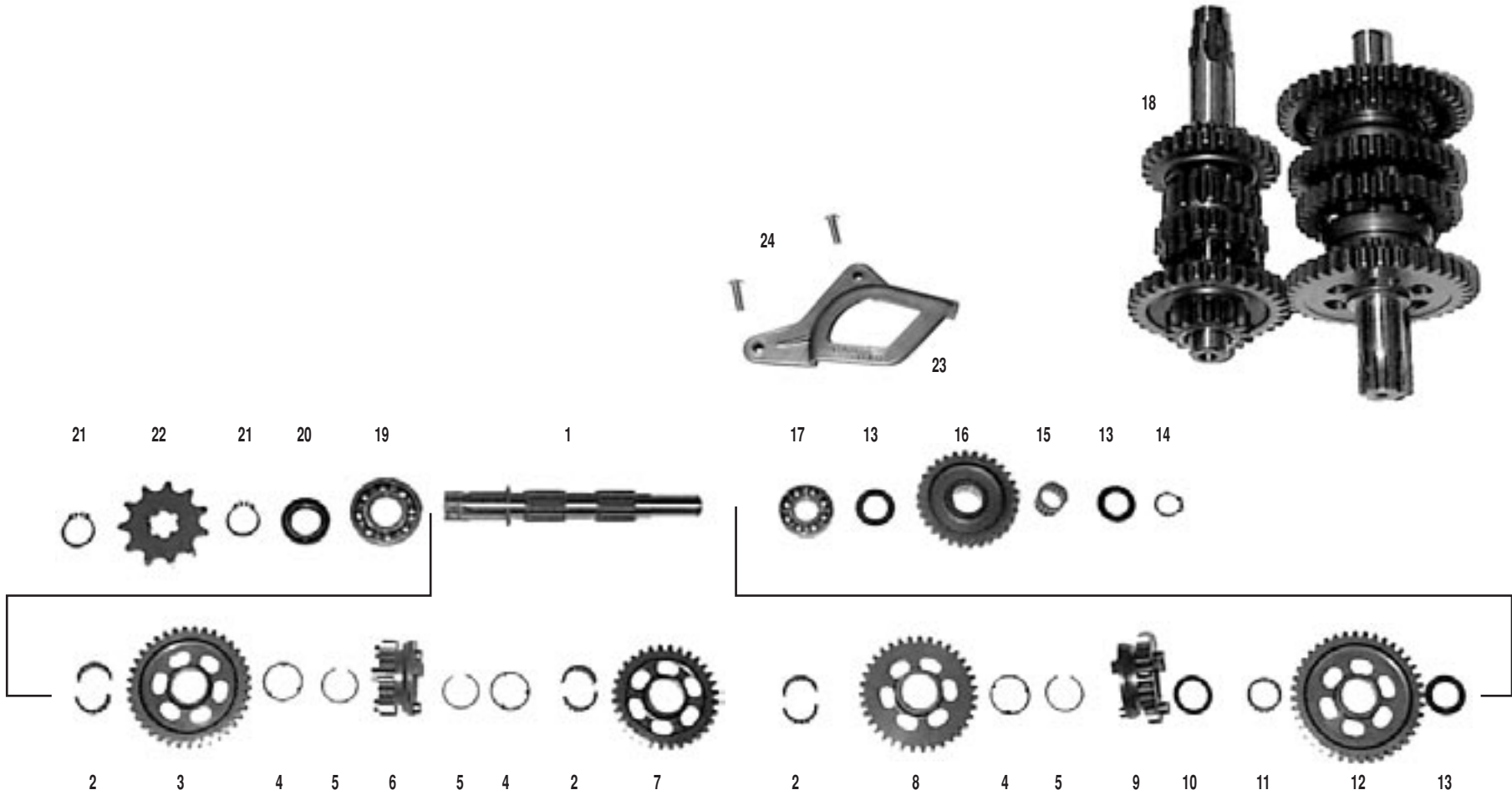
**PAMPERA 2002**



Nº	DESCRIPCION / DESCRIPTION	125 / 250 / 280 c.c.	Cant.
1	HORQUILLA 1-2-3-4 / SELECTOR FORK	M03639001	2
2	EJE HORQUILLA 107X10 / SELECTOR FORK AXLE	M03638001	2
3	COJINETE AGUJAS HK25-12 / BEARING NEEDLES	M03645000	1
4	DESMODROMICO / SELECTOR BARREL	M03637001	1
5	HORQUILLA 5-6 / SELECTOR FORK	M03640000	1
6	COJINETE AGUJAS HK 35-12 / BEARING NEEDLES	M03650000	1
7	ULS 6X25 / 6X25 ULS	T0506025	1
8	ARANDELA PLANA 6X12X1.5 / 6X12X1.5 PLANE WASHER	T4006012	1
9	CONJUNTO FIJADOR PUNTO MUERTO / CPT. NEUTRAL FASTEN	M03815110	1
10	CASQUILLO FIJADOR PUNTO MUERTO / NEUTRAL FASTEN BUSHING	M03818103	1
11	MUELLE FIJADOR PUNTO MUERTO / NEUTRAL FASTEN SPRING	M03817201	1
12	MUELLE FIJADOR DE MARCHAS / FASTEN GEAR SPRING	M03817100	1
13	CASQUILLO FIJADOR MARCHAS / FASTEN GEAR BUSHING	M03818104	1
14	CONJUNTO FIJADOR MARCHAS / CPT. FASTEN GEAR	M03815210	1
15	ARANDELA 6X18 / 6X18 WASHER	T4006018	1
16	ULS 6X30 / 6X30 ULS	T0506030	1

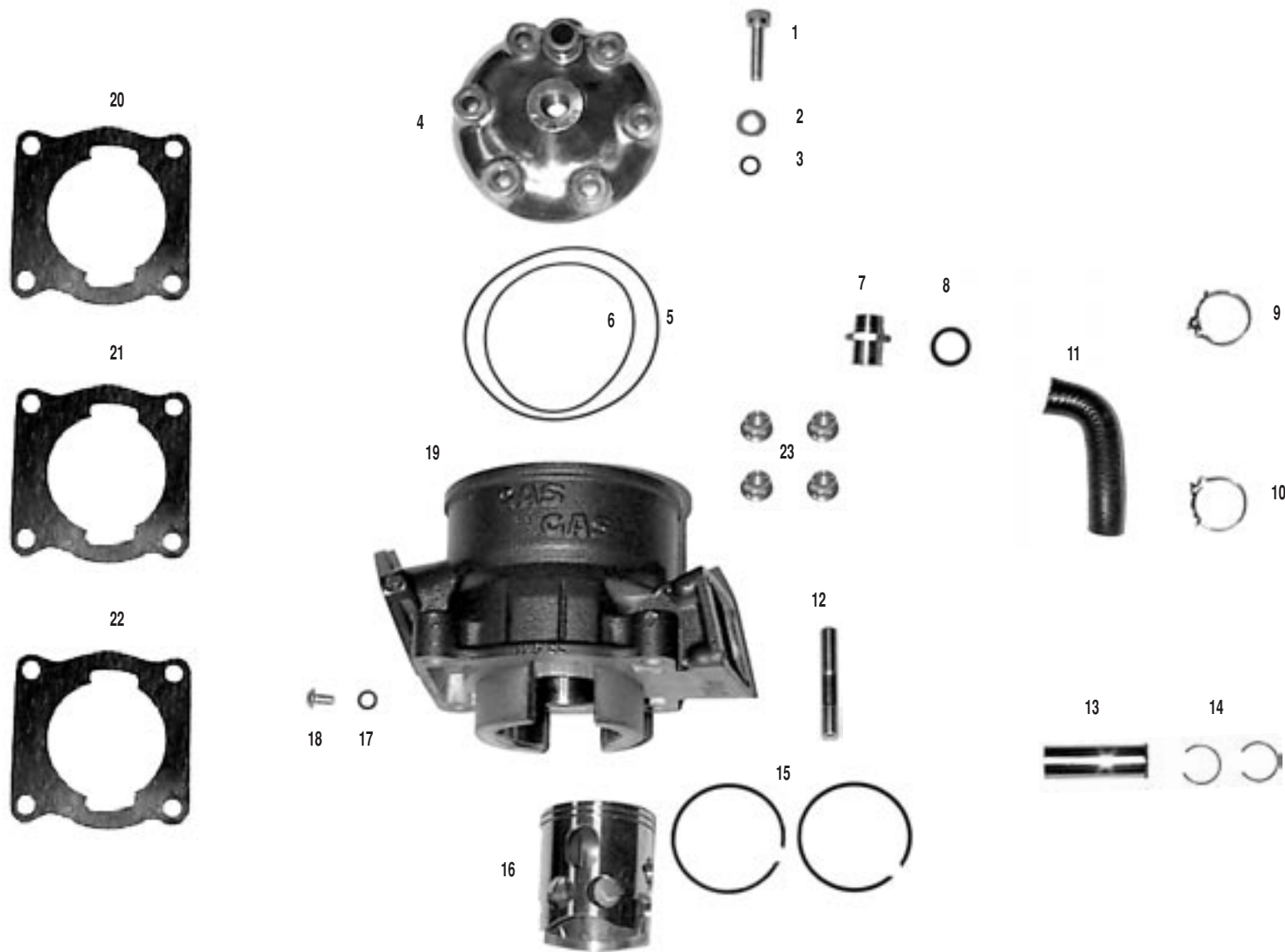


N°	DESCRIPCION / DESCRIPTION	125 / 250 / 280 c.c.	Cant.
1	EJE PIÑÓN PRIMARIO / AXLE PRIMARY PINION	MT27836070	1
2	PIÑÓN 2ª PRIMARIO / PINION 2 <sup>ND</sup> PRIMARY	MT27836071	1
3	PIÑÓN 6ª PRIMARIO / PINION 6 <sup>TH</sup> PRIMARY	MT27836074	1
4	COJINETE AGUJAS 18X22X10 / BEARING NEEDLES 18X22X10	M03670000	2
5	ARANDELA SECUNDARIO 28X22X1 / WASHER SECUNDARY 28X22X1	MT27836091	1
6	CIRCLIP SECUNDARIO DE 22 MM. CAMBIO / CLIP SECUNDARY 22 MM.	MT27836084	2
7	PIÑÓN 3ª/4ª PRIMARIO / PINION 3 <sup>RD</sup> / 4 <sup>TH</sup> PRIMARY	MT27836072	1
8	ARANDELA CAMBIO 15X26X0.5 / WASHER GEAR 15X26X0.5	MT27836093	1
9	PIÑÓN 5ª PRIMARIO / PINION 5 <sup>TH</sup> PRIMARY	MT27836073	1
10	GRUPO CAMBIO / COMPLETE GEAR	MT27836000	1
11	COJINETE 20X47X14 (6204) / BEARING 20X47X4	M03610001	1
12	COJINETE 17X40X12 (6203) / BEARING 17X40X12	M03620000	1

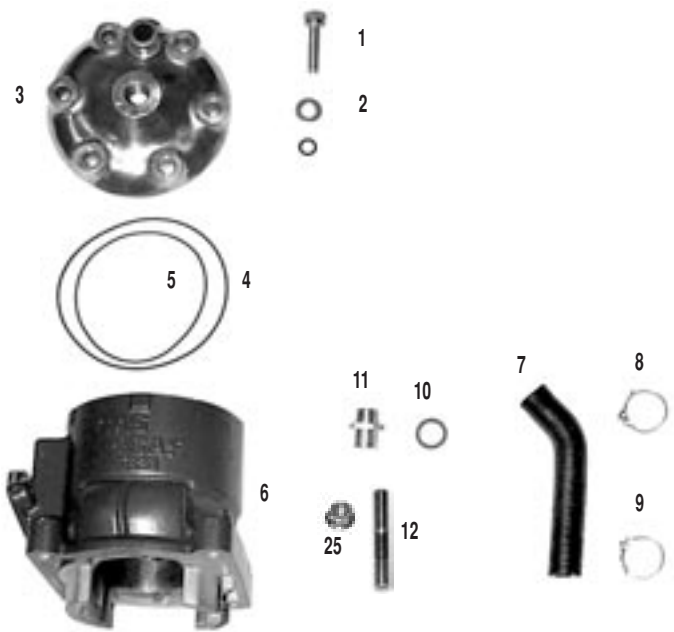




Nº	DESCRIPCION / DESCRIPTION	125 c.c.	250 / 280 c.c.	Cant.
1	EJE SECUNDARIO / SECONDARY AXLE		MT27836075	1
2	COJINETE AGUJAS 18X22X10 / 18X22X10 BEARING NEEDLES		M03670000	3
3	PIÑÓN SECUNDARIO DE 2ª / SECONDARY PINION 2 <sup>ND</sup>		MT27836077	1
4	ARANDELA SECUNDARIA / 28X22X1 SECONDARY WASHER		MT27836091	3
5	CIRCLIP SECUNDARIO DE 22 mm. CAMBIO / SECONDARYCLIP 22 mm.		MT27836084	3
6	PIÑÓN 6ª SECUNDARIO / SECONDARY PINION 6 <sup>TH</sup>		MT27836081	1
7	PIÑÓN 4ª SECUNDARIO / SECONDARY PINION 4 <sup>TH</sup>		MT27836079	1
8	PIÑÓN 3ª SECUNDARIO / SECONDARY PINION 3 <sup>RD</sup>		MT27836078	1
9	PIÑÓN 5ª SECUNDARIO / SECONDARY PINION 5 <sup>TH</sup>		MT27836080	1
10	ARANDELA PIÑÓN INTERIOR 17X26X0.5 / WASHER INTERIOR PINION		MT27836093	1
11	COJINETE AGUJAS 17X21X10 / BEARING NEEDLES 17X21X10		M03660000	1
12	PIÑÓN 1ª SECUNDARIO / SECONDARY PINION 1 <sup>ST</sup>		MT27836076	1
13	ARANDELA PIÑÓN INTERIOR 15X26X0.5 / PINION INTERIOR WASHER		M02622001/2	3
14	CLIP DE 15MM PIÑÓN INTERIOR ARRANQUE / PINION CLIP 15 MM.		M02623000	1
15	COJINETE PIÑÓN INTERIOR ARRANQUE K-15-19-17 / BEARING INTERIOR PINION		M02621001	1
16	PIÑÓN INTERIOR ARRANQUE / INTERIOR PINION		M02620003	1
17	COJINETE 15X35X11 (6202) / 15X35X11 BEARING		M03621000	1
18	GRUPO CAMBIO / COMPLETE GEAR		MT27836000	1
19	COJINETE 20X47X14 (6204) / 20X47X14 BEARING		M03610001	1
20	RETEN SALIDA 20-32-7 827S / OIL SEAL EXTERNAL 20-32-7 827S		M03633000	1
21	CLIP DE 20 PIÑÓN SALIDA / PINION CLIP 20		MT27836052	2
22	PIÑÓN SALIDA / OUT PINION	M03634002	M03634000	1
23	PROTECTOR PIÑÓN SALIDA / OUTPUT PINION PROTECTOR		MT280136021	1
24	ULS 5X16 / 5X16 ULS		T0505016	2



Nº	DESCRIPCION / DESCRIPTION	125 c.c.	Cant.
1	ALLEN 8X30 / SCREW , BOLT ALLEN 8X30	T0308030	6
2	ARANDELA PLANA 8X17X1.5 / WASHER PLANE 8X17X1.5	T4008017	6
3	TORICA 7X2 / O'RING 7X2	M01612010	6
4	CULATA TRIAL 98 / CYL. HEAD	MT12716000	1
5	TORICA CULATA /O'RING CYL. EXT.	M01619135	1
6	TORICA CULATA INTERIOR / O'RING CYL. INT.	M01619130	1
7	RACORD CILINDRO / RACCORD CYLINDER	M01612021	1
8	ARANDELA FIBRA 15X20X2 RACORD / WASHER FIBRE 15X20X2	M01612026	1
9	ABRAZADERA COBRE DE 19 / COPPER CLAMP 19	L200043	1
10	ABRAZADERA COBRE-20/ COPPER CLAMP 20	L200035	1
11	TUBO AGUA CURVADO / CURVER WATER TUBE	L200008	1
12	ESPÁRRAGO CILINDRO / STUD CYLINDER	M01612005	4
13	BULON PISTÓN / PIN. PISTON	M01419002	1
14	CLIP PISTÓN / CLIP PISTON	M01417052	2
15	ARO TIPO PLANO / PISTON RING PLAN	M01417003	2
16	CONJUNTO PISTÓN / CPT. PISTON	M01410003	1
17	ARANDELA FIBRA 6X10X1.5/ WASHER FIBER 6X10X1.5	T4006010	1
18	ULS 6X10 / SCREW, BOLT ULS 6X10	T0506010	1
19	CILINDRO / CYLINDER	MT120016022	1
20	JUNTA CILINDRO 0.3 MM. / GASKET CYLINDER	M04411003	1
21	JUNTA CILINDRO 0.5 MM. / GASKET CYLINDER	MT20844000	1
22	JUNTA CILINDRO 1 MM. / GASKET CYLINDER	MT20844010	1
23	TUERCA CILINDRO M10/150 / CYLINDER NUT M10/150	M01613001	4



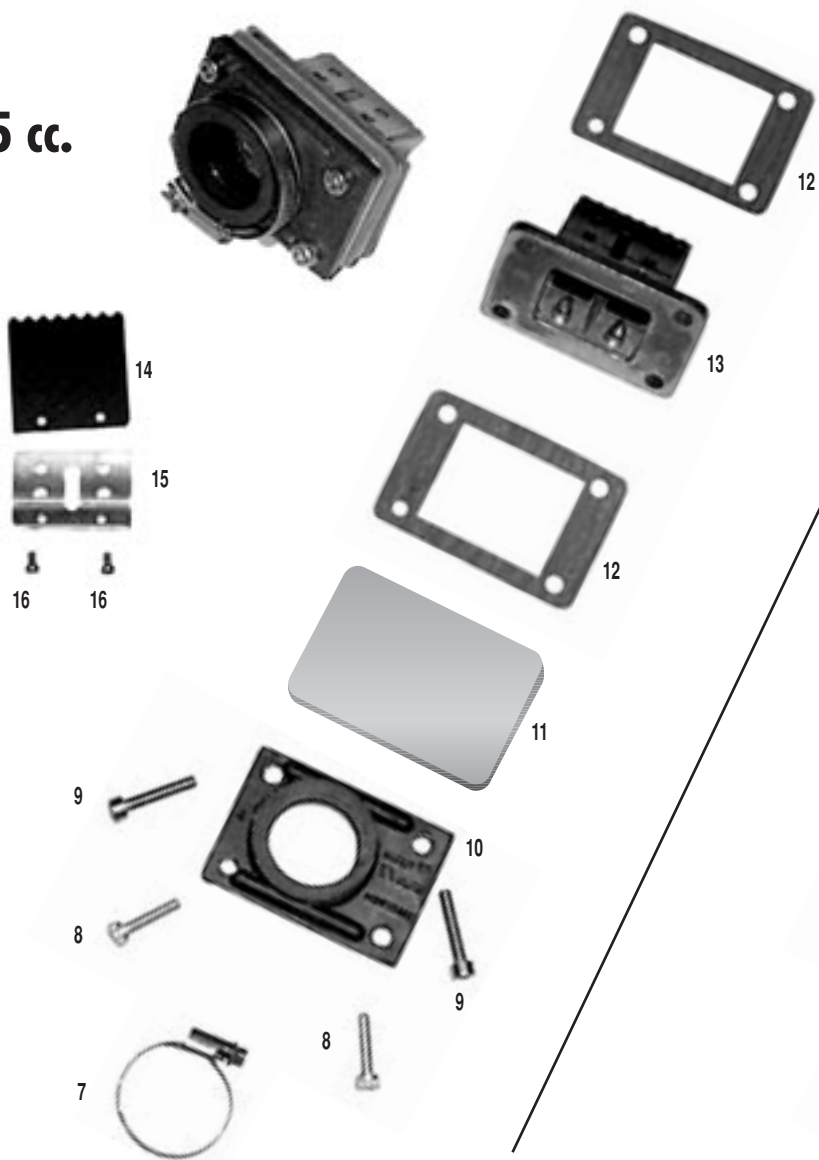
**250 cc.**



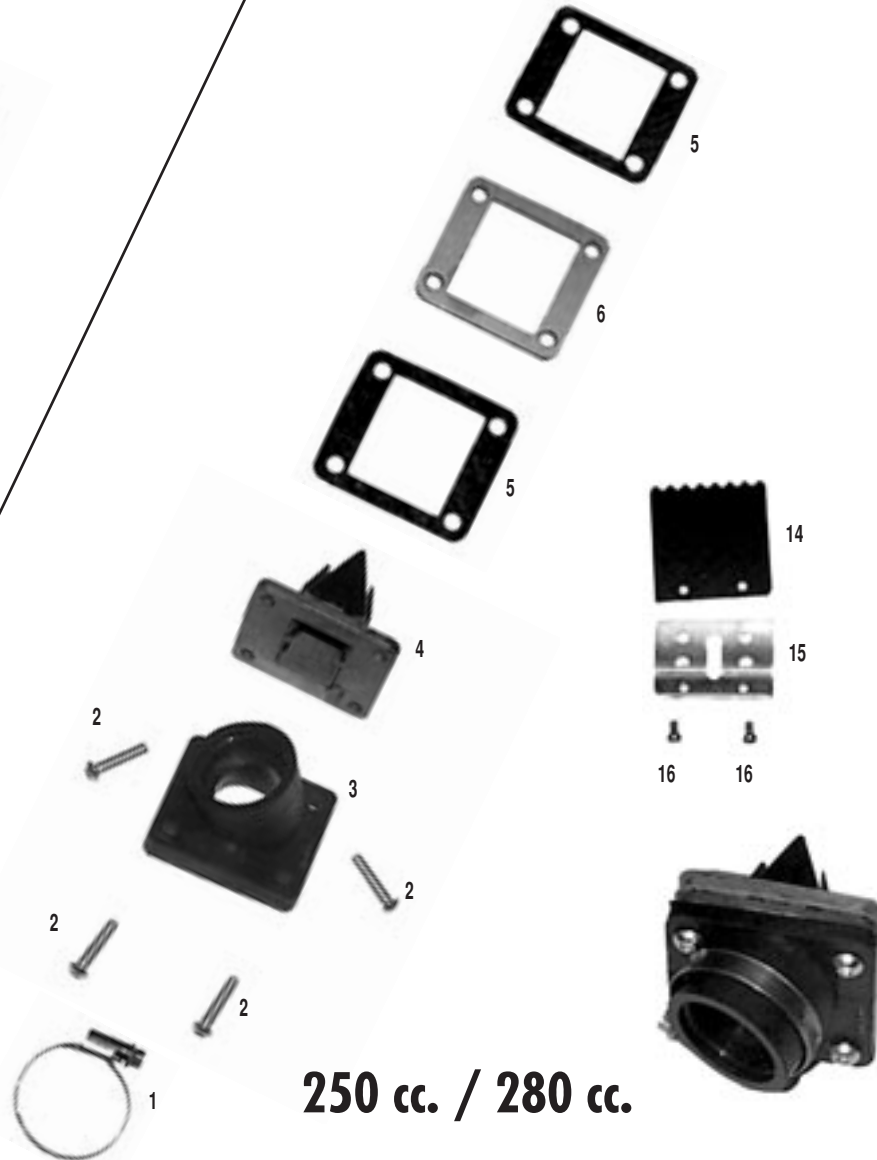
**280 cc.**

Nº	DESCRIPCION / DESCRIPTION	250 c.c.	280 c.c.	Cant.
1	ALLEN 6X25 / SCREW, BOLT ALLEN 6X25		T0306025	6
2	ARANDELA 6X10X1,5 COBRE / 6X10X1,5 CUPRUM WASHER		ME25916002	6
3	CULATA TRIAL / CYL. HEAD	MT250116000	MT280116000	1
4	TORICA CULATA / O'RING CYL. EXT.		MT27816060	1
5	TORICA CULATA INTERIOR / O'RING CYL. INT.		M01619215	1
6	CILINDRO / CYLINDER	MT250016022	MT280016022	1
7	TUBO BOMBA AGUA A CILINDRO / WATER PUMP TO CYLINDER TUBE		BT280232017	1
8	ABRAZADERA COBRE DE 19 / CLAMP, CLIP		L200043	1
9	ABRAZADERA COBRE DE 20 / CLAMP, CLIP		L200035	1
10	ARANDELA FIBRA 14X20X2 RACORD / WASHER FIBRE		M01612026	1
11	RACORD CILINDRO / RACORD CYLINDER		M01612021	1
12	ESPÁRRAGO CILINDRO LARGO / STUD, BOLT CYLINDER		M01612003	4
13	CLIP PISTÓN / CLIP PISTON	M01417051	MT280016126	2
14	BULON PISTÓN / PIN. PISTON	M01419001	MT280016125	1
17	ARO PISTÓN TIPO L / PISTON RING TIPE L	MT25916240		1
18	ARO PISTÓN TIPO PLANO / PISTON RING PLANE	MT25916241	MT280016241	2
19	CONJUNTO PISTÓN* / CPT. PISTON*	MT25916020	MT280016020	1
20	JUNTA CILINDRO 0.1 MM. / GASKET CYLINDER		MT27844010	1
21	JUNTA CILINDRO 0.3 MM. / GASKET CYLINDER		MT27844009	1
22	JUNTA CILINDRO 0.5 MM. / GASKET CYLINDER		MT27844000	1
25	TUERCA CILINDRO M10/150 / CYLINDER NUT		M01613001	4
	* PISTÓN TIPO B / B TYPE PISTON		MT280016121	1
	* PISTÓN TIPO C / C TYPE PISTON		MT280016122	1
	* PISTÓN TIPO D / D TYPE PISTON		MT280016123	1

125 cc.

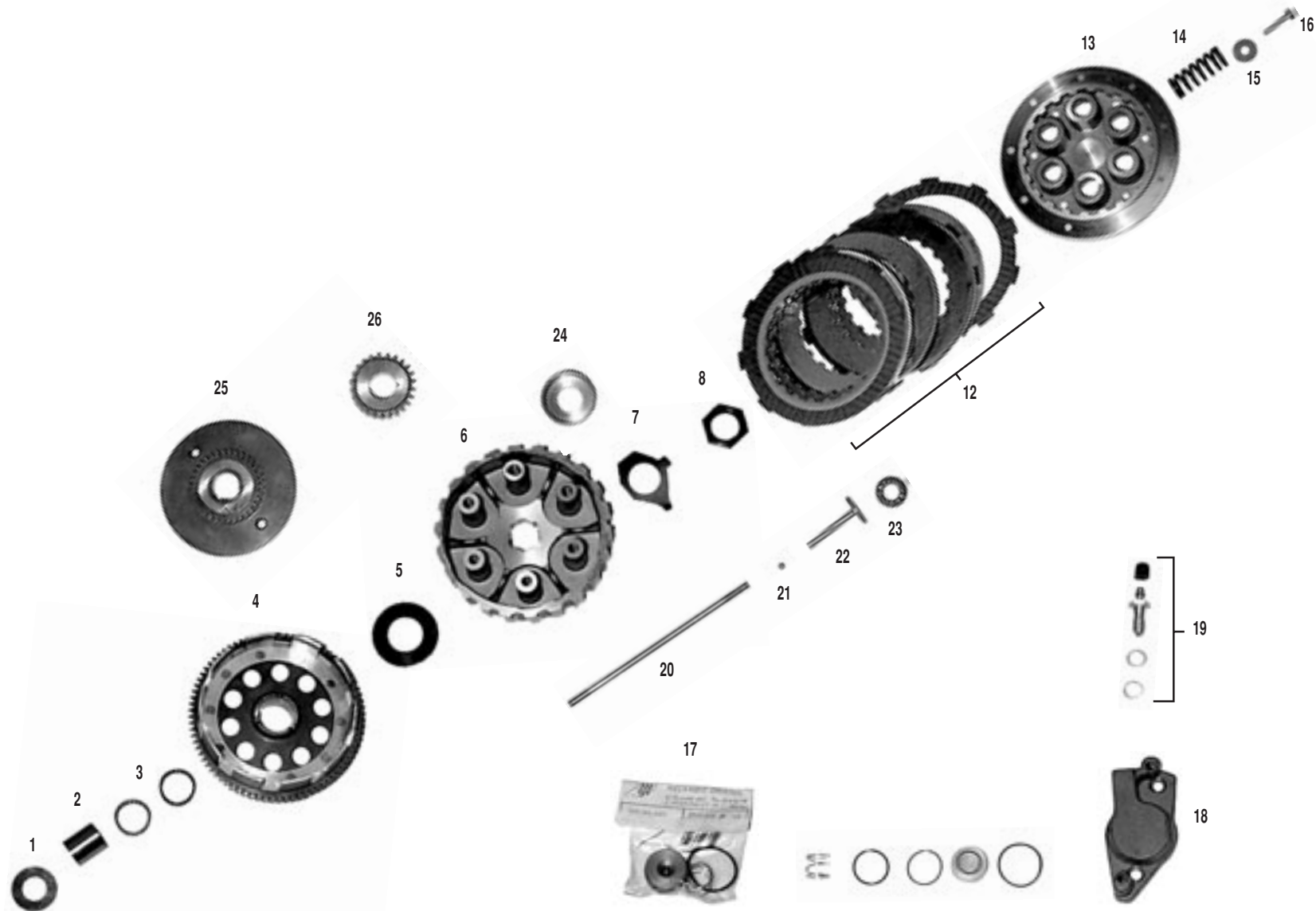


250 cc. / 280 cc.





Nº	DESCRIPCION / DESCRIPTION	125 c.c.	250 / 280 c.c.	Cant.
1	ABRAZADERA 30-45 / CLAMP 30-45		B640005	1
2	ULS 6X25 / SCREW, BOLT ULS 6X25		T0506025	4
3	TUBERA ADMISIÓN / INLET MANIFOLD		M01615004	1
4	CAJA DE LÁMINAS / REED BLOCK ASSEMBLY		M01617200	1
5	JUNTAS TUBERA / GASKET INLET MANIFOLD		M04416003	2
6	DISTAN. CAJA LÁM. 249-270-321/ DISTAN. REED BOLCK ASSY.		M01614005	1
7	ABRAZADERA 24-40 / CLAMP 24-40	B640001		1
8	ALLEN 5X20 / SCREW, BOLT ALLEN 5X20	T0305020		2
9	ALLEN 5X25 / SCREW, BOLT ALLEN 5X25	T0305025		2
10	TUBERA ADMISIÓN 125-200 / INLET MANIFOLD	M01615003		1
11	DISTAN. CAJA LÁM. 125-200 / DISTAN REED BLOCK ASSY. 125-200	M01618000		1
12	JUNTAS TUBERA 125-200 / GASKET INLET MANIFOLD 125-200	M04416002		1
13	CAJA DE LÁMINAS 125-200 / REED BLOCK ASSEMBLY 125-200	M01617000		2
14	JUEGO DE LÁMINAS / REEDS SET		M01616000	1
15	TOPES LÁMINAS / REV PLATE REEDS PETAL		M01616010	2
16	TORNILLO PHILIPS LÁMINAS M4X8 / SCREW, BOLT PHILIPS REEDS		T0604008	4

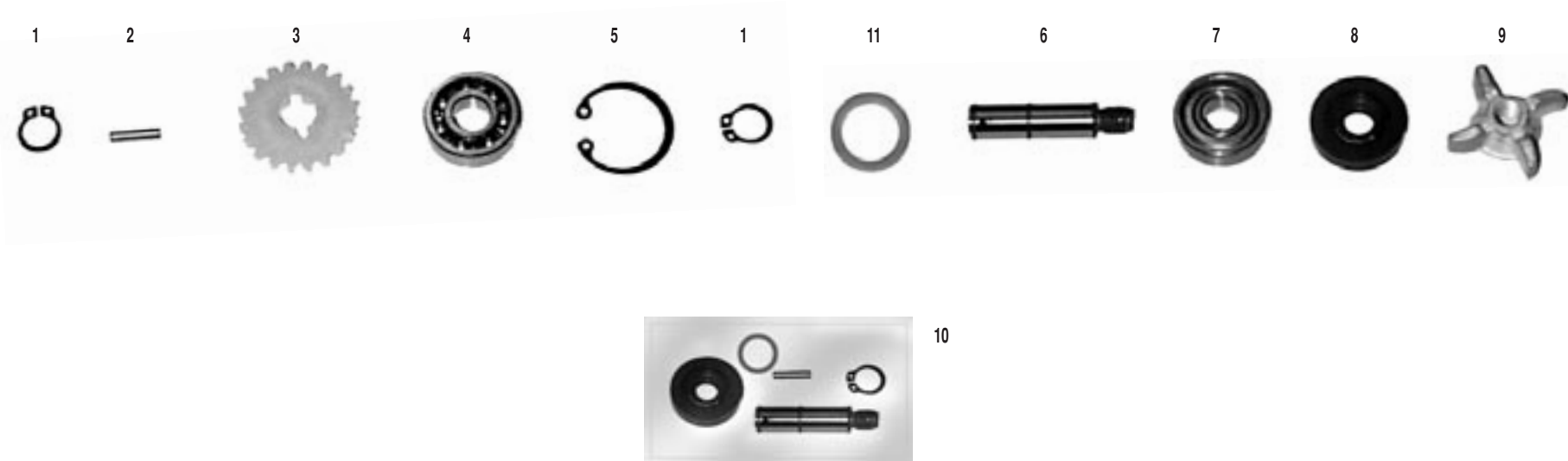


N°	DESCRIPCION / DESCRIPTION	125 / 250 / 280 c.c.	Cant.
1	ARANDELA 20.15X38X3.25 / WASHER COVER	M03226000	1
2	CASQUILLO EMBRAGUE 20X26X28.6 / PIVOT, BUSH CLUTCH	M03224000	1
3	COJINETE AGUJAS K26-30-13 / BEARING NEEDLES	M03225000	2
4	CORONA EMBRAGUE / HELICAL GEAR SET ASSY	M03210002	1
5	ARANDELA INTERMEDIO 17.5X34X1 / WASHER INTERMEDIATE	M03223000	1
6	CUBO EMBRAGUE 98 / HUB, CLUTCH	MT27832005	1
7	ARANDELA FIJACIÓN CUBO / WASHER LOCK HUB	M03222001	1
8	TUERCA FIJACIÓN CUBO BAL. PIÑÓN / NUT FIJ. HUB BAL. PINION	M03221000	1
12	CTO.DISCOS EMBRAGUE 98 / CPT. CLUTCH DISK	MT27732050	1
13	PLATO EMBRAGUE 98 / CLUTCH PLATE	MT27832006	1
14	MUELLE EMBRAGUE / CLUTCH SPRING	M03216002	6
15	ARANDELA MUELLE EMB. 17X5X1.5 / WASHER CLUTCH SPRING	M03218001	6
16	HEXAGONAL 5X20 (12.9) DIN 933 / HEXAGONAL	T0105020	6
17	KIT PINZA EMBRAGUE HIDR. / KIT CALIPER CLUTCH HYDRAULIC	M01059000	1
18	PINZA EMBRAGUE HIDRÁULICO / CALIPER CLUTCH HYDRAULIC	M01050000	1
19	RACORD PINZA EMBRAGUE HIDRAU. / BLEED SCREW, UNION BOLT	M01060000	1
20	VARILLA EMBRAGUE HIDRÁULICO / PUSH ROD CLUTCH HYDRAULIC	M03228002	1
21	BOLA VARILLA EMBRAGUE 5MM / BALL BEARIND CLUTCH	M03235001	1
22	BOLET VARILLA EMBRAGUE / MUSHROOM ADJUSTER CLUTCH	M03233000	1
23	COJ.PRENSA EMBRAGUE AX1022 / BEARING CLUTCH END PLATE	M03234001	1
24	CASQ. CENT. PRENSA EMBR. / BUSHING CENTRALIZE CLUTCH PRESS	MT27832052	1
25	PIÑÓN CONTRAPESO / COUNTERWEIGHT PINION	M03210000	1
26	PIÑÓN TRANSMISIÓN PRIMARIA / TRANSMISSION PRIMARY PINION	M03210001	1

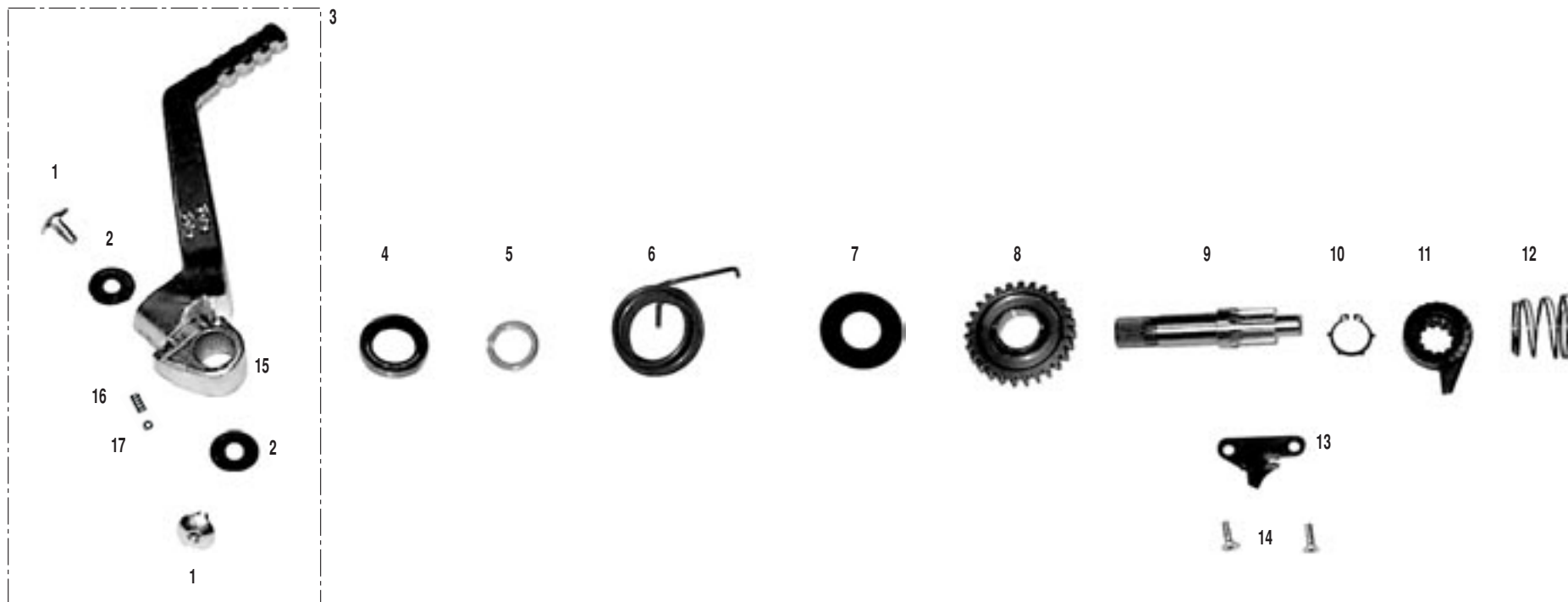
**Conjunto bomba  
/ Water pump set**

***GASGAS***

**PAMPERA 2002**



N°	DESCRIPCION / DESCRIPTION	125 / 250 / 280 c.c.	Cant.
1	SEEGER DE 10 EJE BOMBA / SPINDLE PUMP, SEEGER 10	M03314011	2
2	RODILLO 3X14 BOMBA AGUA/ PUMP WATER ROLLER 3X14	MT27710036	1
3	PIÑÓN MANDO BOMBA AGUA / CONTROL PINION WATER	M01230000	1
4	COJINETES TURBINA 6000 C3 BOM. / TURBINE BEARING 6000 C3	M03313000	1
5	SEEGER INT. 26 GRU.TOPE COJINETES / INT. SEEGER 26	M03314012	1
6	EJE TURBINA 98 / AXLE TURBINE 98	MT27910006	1
7	COJIN. 6000 Z C3 BOMB. AGUA / BEARING WATER PUMP	M03313001	1
8	RETEN 12*26*7ª DUO FPM VITON / WATER PUMP SEAL	MT27910020	1
9	TURBINA / TURBINE	M03310000	1
10	KIT EJE TURBINA DEL 90-97 / TURBINE AXLE KIT FROM 90-97	MT280010106	1
11	ARANDELA DISTANCIADOR EJE TURBINA / TURBINE AXLE SPACER WASHER	MT27910027	1



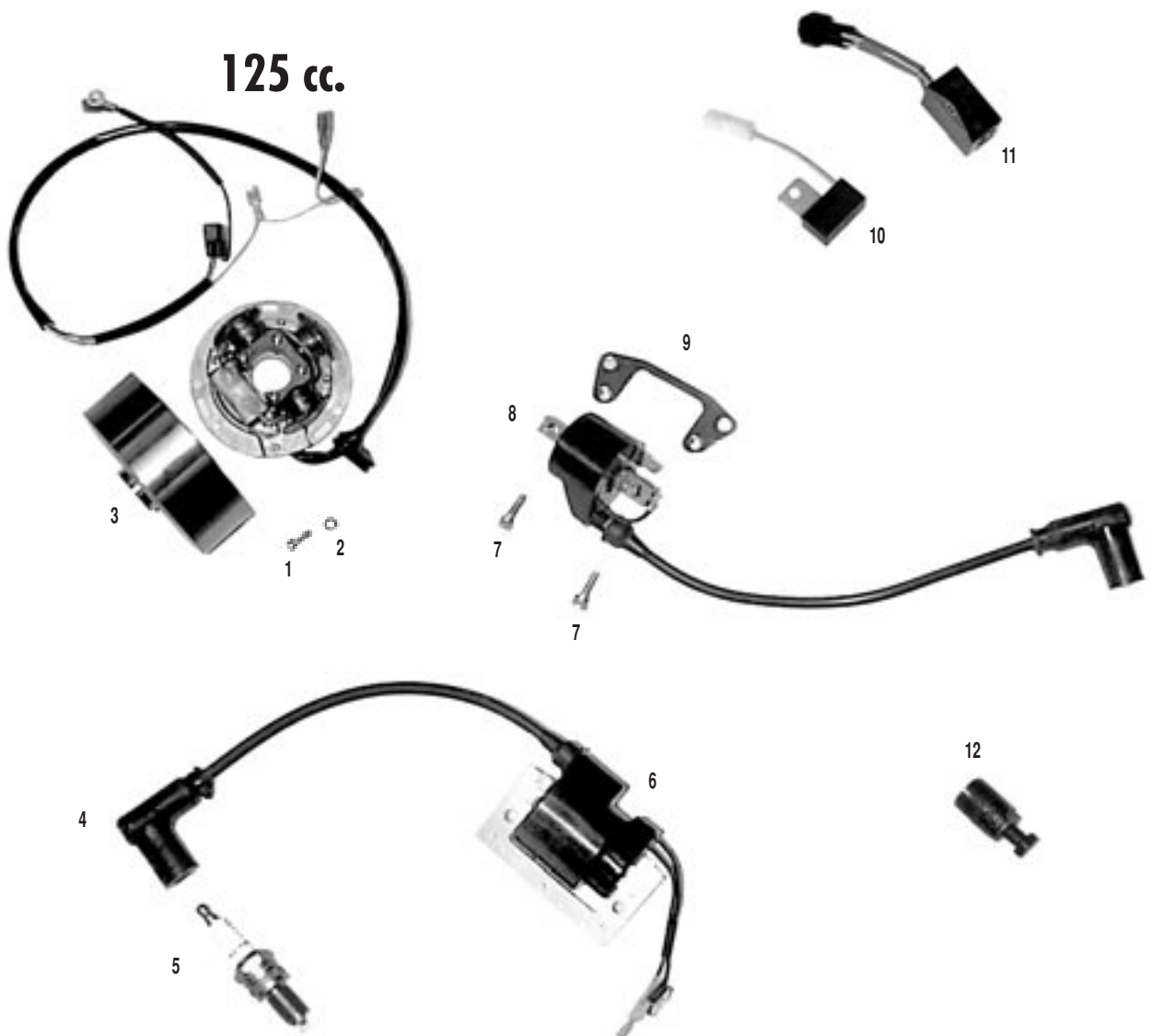


Nº	DESCRIPCION / DESCRIPTION	125 c.c.	250 / 280 c.c.	Cant.
1	TORNILLO 6X12 CABOTA TORK / SPECIAL ALLEN		T0316012	2
2	ARANDELA 6X20X1.5 DIN 9021 / 6X20X1.5 PLANE WASHER		T4006020	2
3	CTO. PEDAL ARRANQUE ALUM.Y MUÑ. / CPT. KICKSTART PEDAL		ME250036060	1
4	RETEN ARRANQUE 18-28-7 822N / OIL SEAL KICKSTART		M02627001	1
5	TOPE ALUMINIO ARRAN. / TOP ALUMINIUM KICKSTART		M02612002	1
6	MUELLE RETORNO PEDAL / PEDAL COME BACK SPRING	M02613001	MT27836007	1
7	ARANDELA ARRANQUE 46X18.6X1 / 46X18.6X1 KICKSTART WASHER		M02614002	1
8	PIÑÓN ARRANQUE / KICKSTART PINION		MT27836002	1
9	EJE ARRANQUE 98 / KICKSTART AXLE		MT27836003	1
10	SEEGER E20 DIN983 / SEEGER E20		MT27836052	1
11	TRINQUETE ARRANQUE / KICKSTART PAWL		ME250126004	1
12	MUELLE TRINQUETE ARRANQUE / KICKSTART PAWL SPRING		ME25636006	1
13	PLATINA TRINQ. ARRANQUE 98 / KICKSTART PAWL WORKTABLE		MT27836005	1
14	ALLEN CÓNICO 5X15 / 5X15 CONIC ALLEN BOLT		T0405015	2
15	MUÑEQUILLA PEDAL ARRANQUE / KICKSTART BASE TRUNNION		ME250036061	1
16	MUELLE MUÑEQUILLA / KICKSTART BASE SPRING		ME250036066	1
17	BOLA MUÑEQUILLA / KICKSTART BASE BALL		ME250036062	1

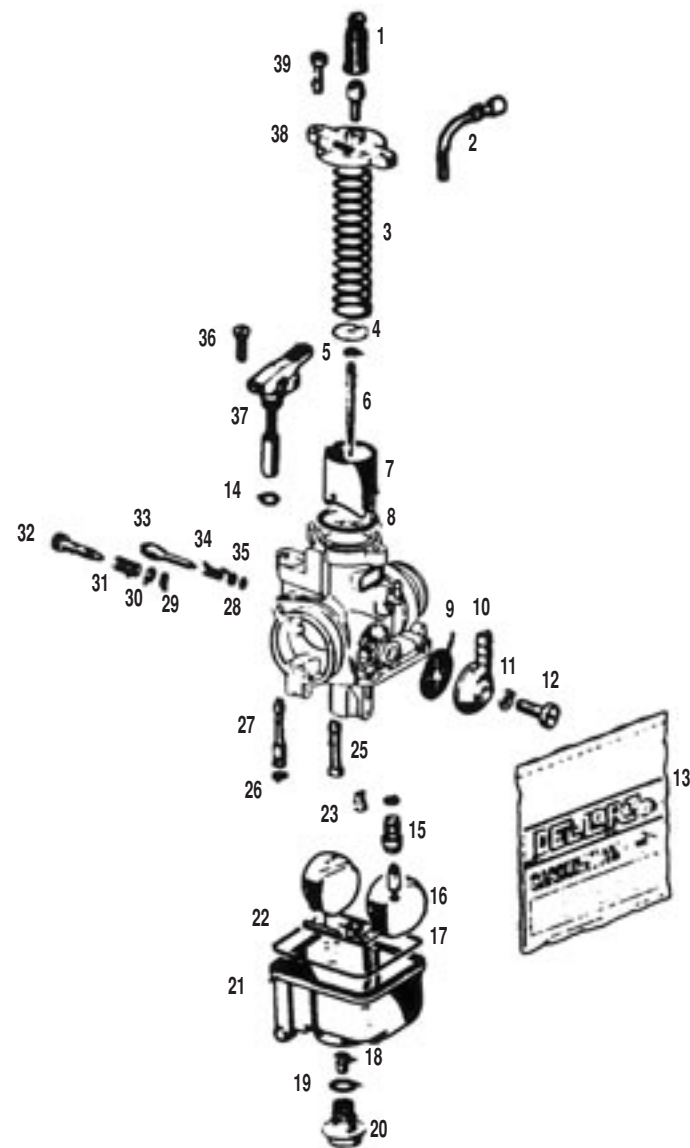
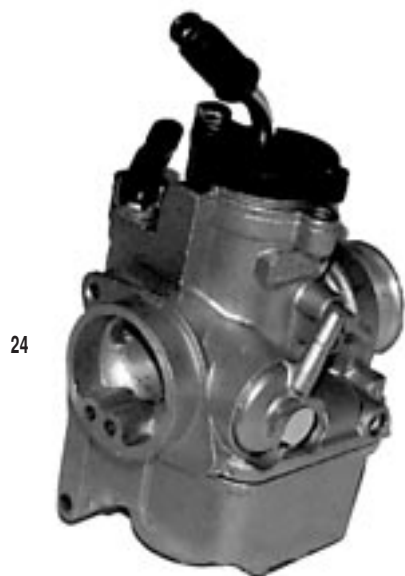
250 cc. / 280 cc.



125 cc.



N°	DESCRIPCION / DESCRIPTION	125 / 250 c.c.	280 c.c.	Cant.
1	ALLEN 5X15 8.8 / SCREW, BOLT ALLEN		T0305015	3
2	ARANDELA 5X10X1 DIN 125 / WASHER 5X10X1		T4005010	3
3	VOLANTE ENCENDIDO / IGNITION COMP.	M02810120	M02810110	1
4	PIPA DE BUJÍA / CAP. SPARK PLUG		BT27934000	1
5	BUJÍA NGK BPR5 ES / SPARK PLUG		M04012000	1
6	BOBINA 270-321/ IGNITION COIL 270-321		MT27834006	1
7	ALLEN 6X14 / SCREW, BOLT ALLEN	T0306014		2
8	BOBINA 125-200-249/ IGNITION COIL 125-200-249	M02812110		1
9	SOP.BOBINA / IGNITION COIL SUPPORT	BT20934026		1
10	REG. ALTERNADOR 415 C / ALTERNATOR REGULATOR		L300031	1
11	CDI / CDI		M02812103	1
12	EXTRACTOR VOLANTE MAG. / EXTRACTOR IGNITION MAG.		M04015001	1



Nº	DESCRIPCION / DESCRIPTION	125 c.c.	250 c.c.	280 c.c.	Cant.
1	CAPUCHÓN TENSOR GAS / ADJUSTER TENSION CABLE GAS			M09001055	1
2	TENSOR CABLE GAS / TENSIONER CABLE GAS			M09001032	1
3	MUELLE COMPUERTA / SPRING SLIDE, VALVE			M09001015	1
4	PLANCHA SUJECIÓN CABLE GAS / PLATE SUBJECTION			M09001010	1
5	CLIP AGUJA / CLIP. NEEDLE			M09001020	1
6	AGUJA D36 3º PUNTO / NEEDLE D36			M09003136	1
7	COMPUERTA D-60 / SLIDE, VALVE D-60	M09002050		M09002060	1
8	TÓRICA TAPA CARBURADOR / O'RING COVER CARBURETTOR			M09001050	1
9	JUNTA PIPETA GASOLINA / PIPETTE FUEL SEAL			M09001095	1
10	PIPETA ENTRADA GASOLINA / PIPETTE ENTRY FUEL			M09001135	1
11	JUNTA TORNILLO PIPETA / GASKET SCREW, BOLT PIPETTE			M09001100	1
12	TORNILLO PIPETA / SCREW, BOLT PIPETTE			M09001140	1
13	KIT JUNTAS CARBURADOR / KIT GASKET CARBURETTOR			M09001101	1
14	TÓRICAS STARTER / O'RINGS STARTER			M09001065	1
15	VÁLVULA FLOTADOR / FLOAT VALVE			M09001200	1
16	FLOTADOR 2X2, 8GR. / FLOAT 2X2, 8GR.			M09008036	2
17	EJE FLOTADOR / FLOAT AXLE			M09001145	1
18	CHICLE PRINCIPAL 118 / MAIN JET	M09006116	M09006118	M09006120	1
19	TÓRICA TAPÓN CUBETA / O'RING COVER DISH			M09001090	1
20	TAPÓN CUBETA GASOLINA / COVER DISH FUEL			M09001155	1
21	CUBETA GASOLINA / FUEL DISH			M09001150	1
22	TÓRICA CUBETA GASOLINA / O'RING FUEL DISH			M09001085	1
23	CHICLE RALENTÍ 30 / JET, SLOW 30	M09004036	M09004030	M09004031	1
24	CARBURADOR PHBL 26 / CARBURETTOR PHBL 26	MT20990000	MT25990000	MT28009000	1
25	EMULSOR / NEEDLE JET	M09005268		M09005271	1
26	TÓRICA CHICLE STARTER / O'RING JET STARTER			M09001070	1
27	CHICLE STARTER 60 / JET STARTER 60			M09007060	1

# **GAS GAS**

OCTUBRE 2002



PU010238025

**GAS GAS MOTOS, S.A.**

CIF: ES/A-17070921

C/ UNICEF nº 17 · Poligon Industrial Torremirona · 17190 Salt (Girona) SPAIN · Tel: +34 902 47 62 54 Fax: +34 902 47 61 60

E-mail: [officegg@gasgasmotos.es](mailto:officegg@gasgasmotos.es) / [partsgg@gasgasmotos.es](mailto:partsgg@gasgasmotos.es) · Web: [www.gasgasmotos.es](http://www.gasgasmotos.es)