

**DESPIECE  
PART LIST**

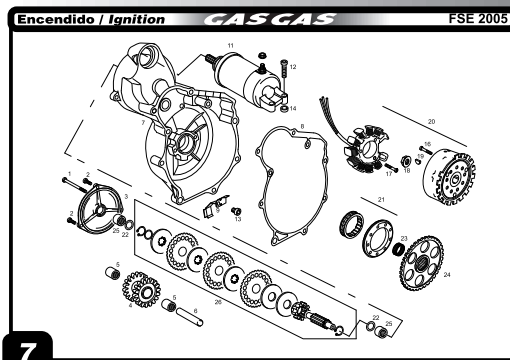
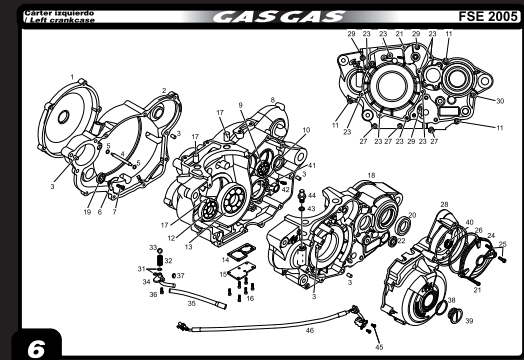
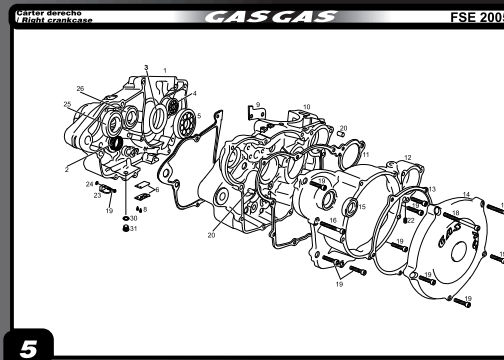
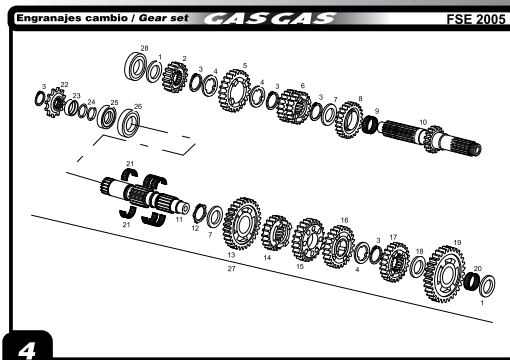
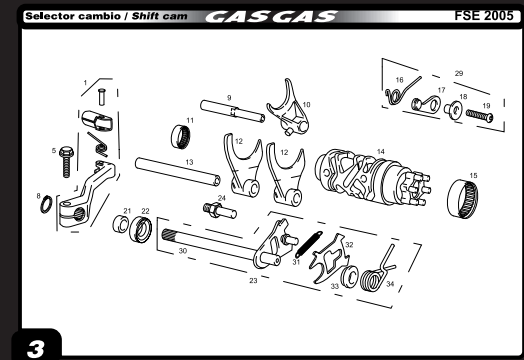
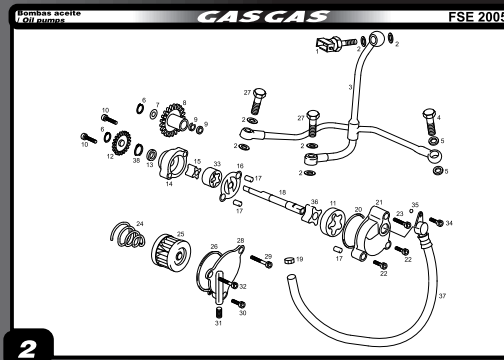
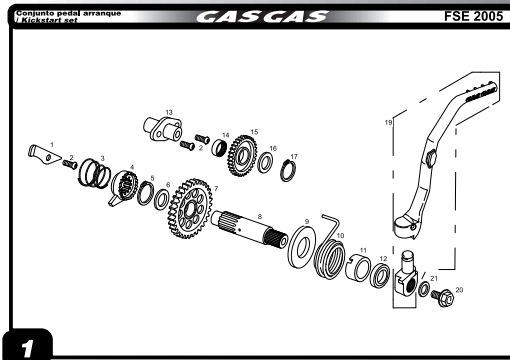
**FSE / EC  
SM**

**400  
450**

**2005**

**FRAGILE**

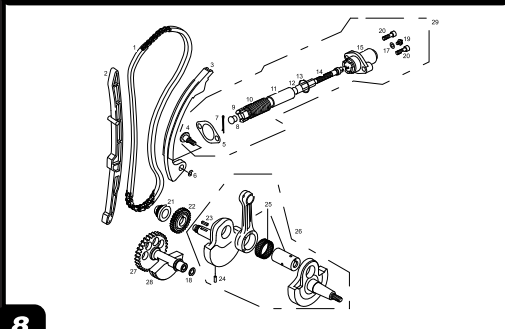
# MOTOR



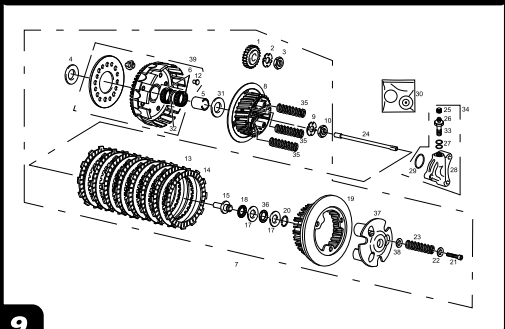
# DESPIECE

# ENGINE

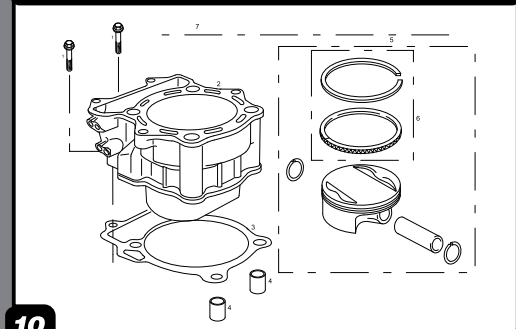
Cigüeñal / Crankshaft **CASCAS** FSE 2005



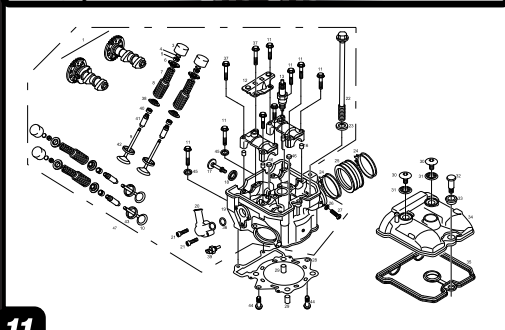
Embrague / Clutch **CASCAS** FSE 2005



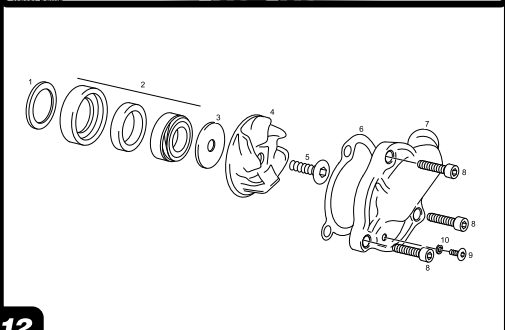
Cilindro / Cylinder **CASCAS** FSE 2005



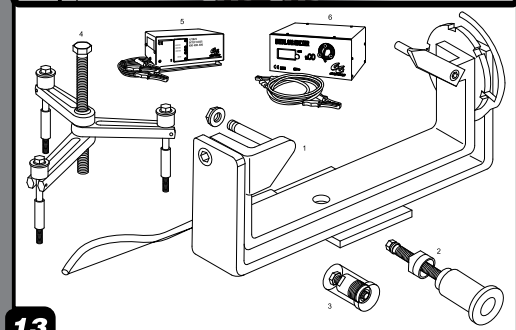
Culata / Cyl. head **CASCAS** FSE 2005

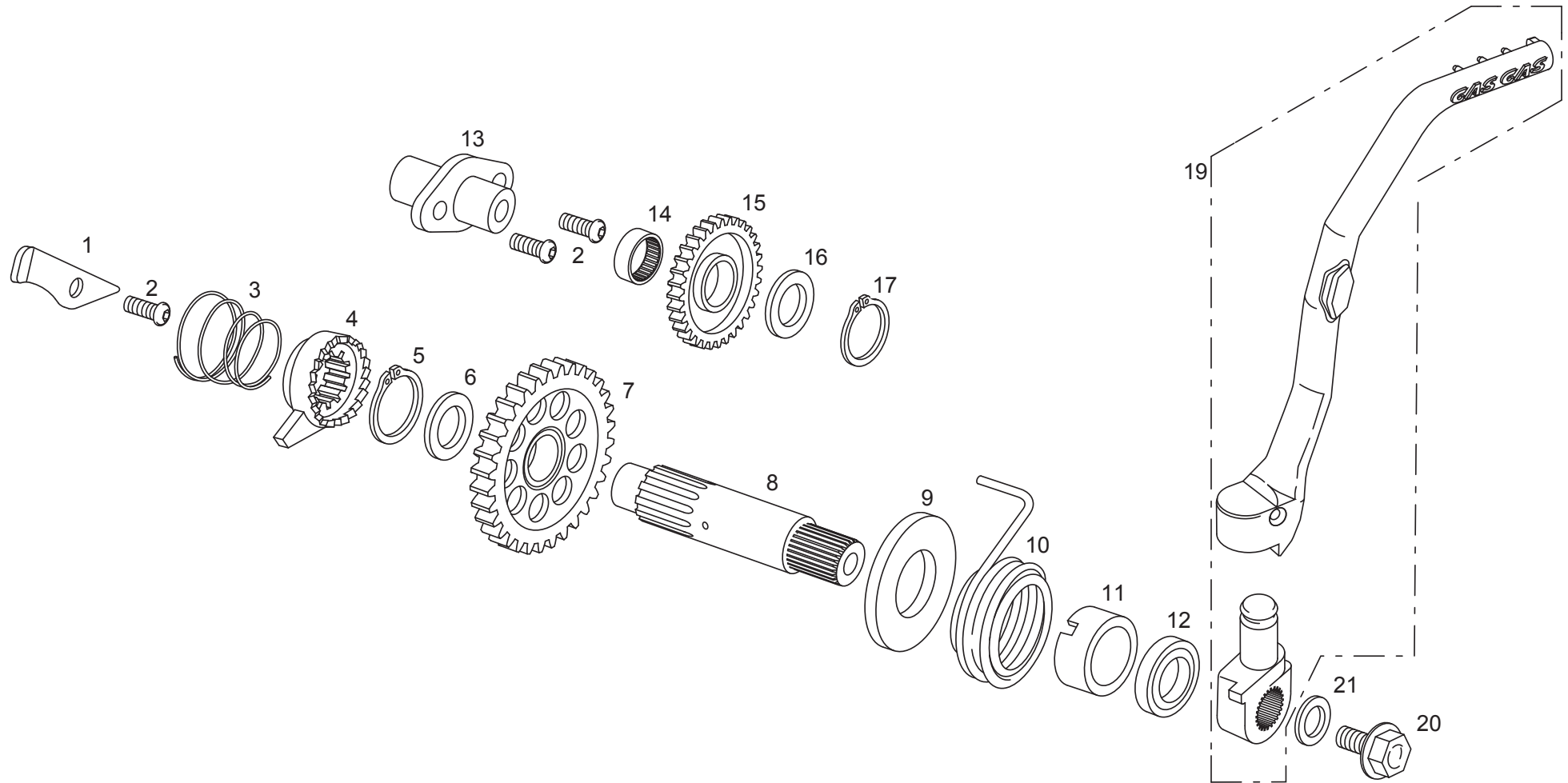


Bomba agua / Water pump **CASCAS** FSE 2005

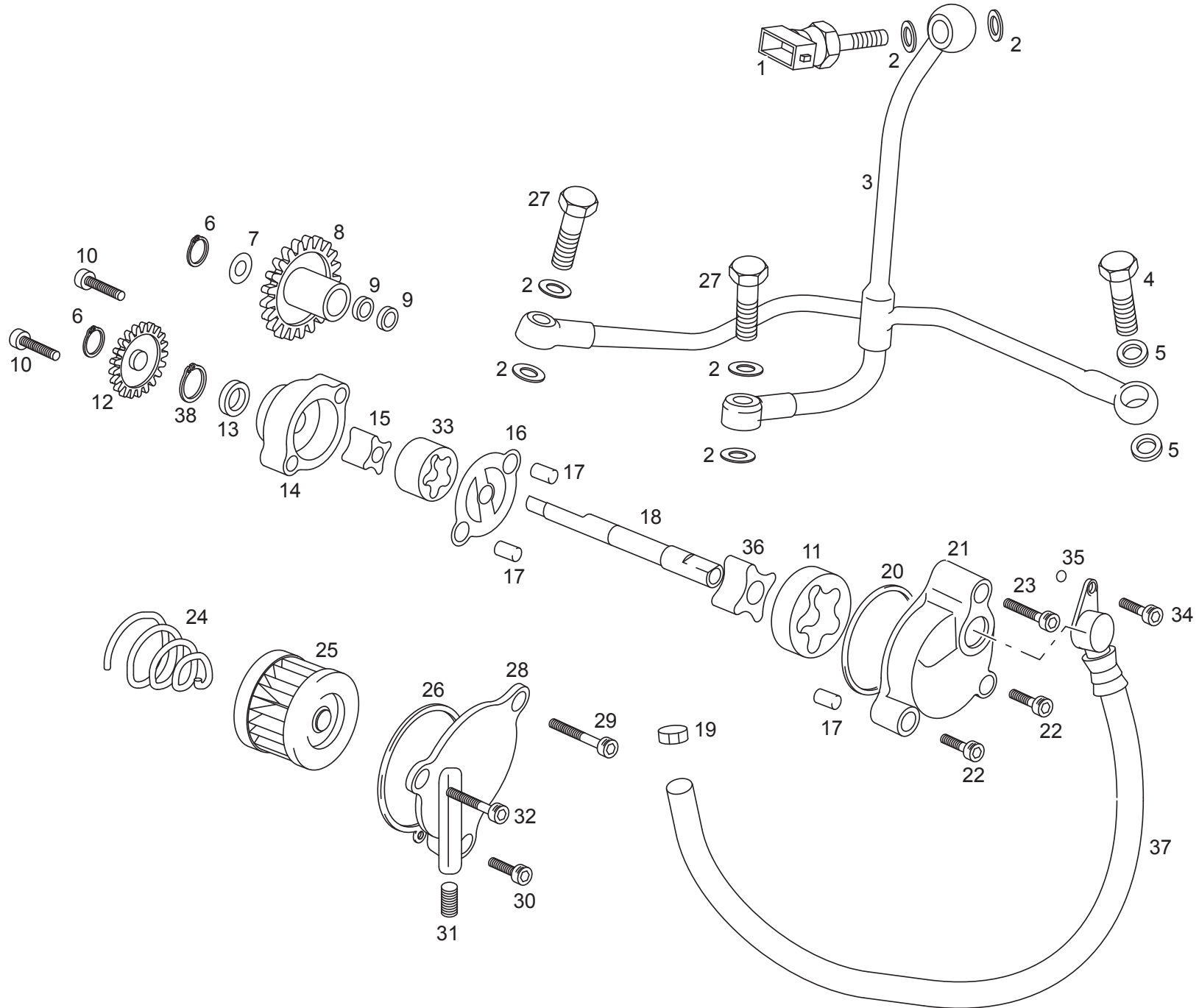


Utillaje / Tools **CASCAS** FSE 2004

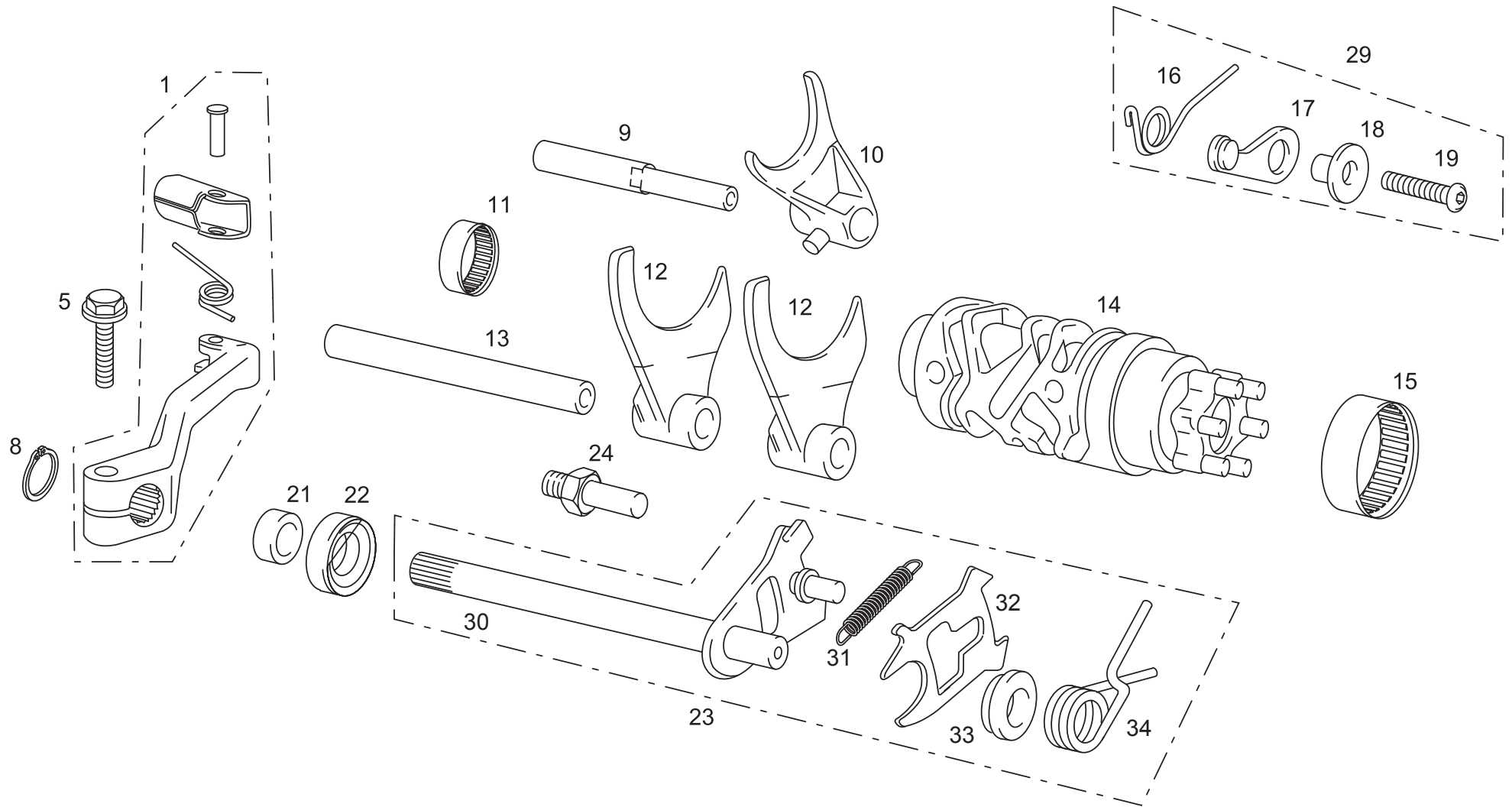




Nº	DESCRIPCIÓN / DESCRIPTION	FSE 2005	Cant.
1	PLATINA TRINQUETE ARRANQUE / KICKSTARTER GUIDE	MFS400136005	1
2	ULS 6X12 / 6X12 ULS	T0506012	3
3	MUELLE TRINQUETE ARRANQUE / KICKSTARTER SPRING	ME25636006	1
4	TRINQUETE ARRANQUE / KICKSTARTER	ME120126004	1
5	SEEGER DE 20 ARRANQUE / CIRCLIP	ME25636052	1
6	ARANDELA TOPE 20,2X27X1 / END WASHER 20,2X27X1	ME25636000	1
7	PIÑÓN ARRANQUE / KICKDRIVE GEAR	ME250126002	1
8	EJE ARRANQUE / KICKSTARTER SHAFT	ME250126003	1
9	ARANDELA ARRANQUE 20X40X1 / KICKSTARTER WASHER 20X40X1	ME25636051	1
10	MUELLE ARRANQUE / KICKSTARTER SPRING	ME25636007	1
11	CASQUILLO CENTRADOR MUELLE ARRANQUE / KICKSTARTER SPRING BUSHING	ME250136053	1
12	RETÉN PEDAL ARRANQUE 20X30X7 / KICKSTARTER OIL SEAL 20X30X7	ME25632021	1
13	SOPORTE PIÑÓN / BEARING SUPPORT	MFS400126010	1
14	COJINETE AGUJAS K15X18X14 TN / K15X18X14 TN NEEDLES BEARING	MFS400126011	1
15	PIÑÓN INTERMEDIO ARRANQUE / KICKSTART INTERMEDIATE PINION	MFS400126001	1
16	ARANDELA 15X26X0,5 / WASHER 15X26X0,5	M02622001	1
17	SEEGER EJE 15 EMBRAGUE / CLUTCH AXLE SEEGER 15	ME25632017	1
19	CTO. PEDAL ARRANQUE ALUM. MUÑ. D.18 / KICKSTARTER LEVER SET	MFS450526060	1
20	TORNILLO PEDAL ARRANQUE / KICK STARTER BOLT	BE250036062	1
21	TÓRICA PEDAL ARRANQUE / KICK STARTER O´RING	ME250036063	1

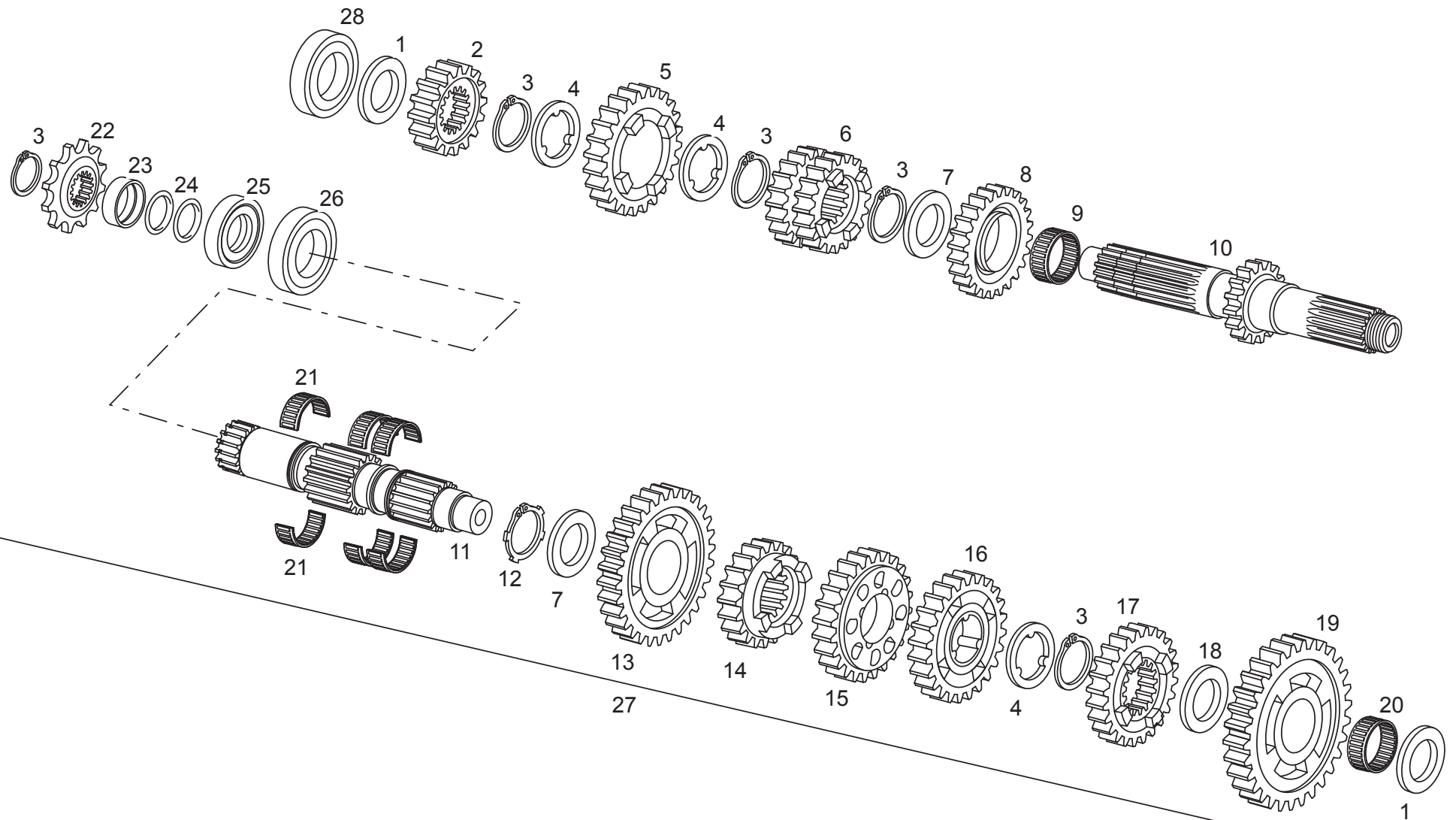


Nº	DESCRIPCIÓN / DESCRIPTION	FSE 2005	Cant.
1	SENSOR PRESIÓN ACEITE ENDURO / ENDURO OIL PRESSION SENSOR	MFS400326568	1
2	ARANDELA COBRE 8X12X1,5 / 8X12X1,5 WASHER	T4008112	6
3	DISTRIBUIDOR ACEITE / OIL SUPPLY	BFS450510856	1
4	RACOR CIRCUITO ACEITE 10X26 / 10X26 OIL RACORD	MFS450522570/175	1
5	ARANDELA COBRE 10X14X1,5 / 10X14X1,5 WASHER	BE25622007	2
6	SEEGER D.8 EJE BOMBA ACEITE / OIL AXIS SEEGER	MFS400122305	2
7	ARANDELA REGLAJE 8,1X17X0,2 / 8,1X17X0,2 WASHER	ST950705	1
8	PIÑÓN INTERMEDIO BOMBA DE ACEITE / OIL PUMP INTERMEDIATE SPROCKET	MFS400122450	1
9	COJINETE HK 0808 / HK 0808 BEARING	MFS400126535/2	2
10	TORNILLO 6X35 / 6X35 SCREW	T0306035	2
11	ANILLO BOMBA RECUPERACIÓN D.44 / RETRIEVABLE PUMP RING	MFS400122120	1
12	PIÑÓN BOMBA ACEITE / OIL PUMP PINION	MFS400122400	1
13	COJINETE 508Z / 508Z BEARING	ME25616032	1
14	CUERPO BOMBA ACEITE PRESIÓN / OIL PUMP BODY	MFS400122230	1
15	ROTOR BOMBA ACEITE / OIL PUMP ROTOR	MFS400122105	1
16	JUNTA BOMBA ACEITE / OIL PUMP GASKET	MFS400122410	1
17	CASQUILLO CENTRADOR / CENTRER BUSHING	MFS400116066	4
18	EJE BOMBA ACEITE / OIL PUMP AXLE	MFS450322300	1
19	ABRAZADERA COBRA 21 / 21 CLAMP	L200046	1
20	TÓRICA TAPA BOMBA ACEITE RETORNO / RETURN OIL PUMP COVER O'RING	MFS400122131	1
21	TAPA BOMBA ACEITE RETORNO / OIL PUMP COVER	MFS450522130	1
22	ALLEN 6X30 / ALLEN BOLT 6X30	T0306030	2
23	ALLEN 6X45 / ALLEN BOLT 6X45	T0306045	1
24	MUELLE APRETADOR FILTRO ACEITE / OIL FILTER SPRING	MFS400122560	1
25	FILTRO ACEITE / OIL FILTER	MFS400122550	1
26	TÓRICA TAPA FILTRO ACEITE / OIL FILTER COVER O'RING	MFS450522555	1
27	RACOR CIRCUITO ACEITE 8X22 / 8X22 OIL RACORD	MFS450422570/100	2
28	TAPA FILTRO ACEITE / AIR FILTER COVER	MFS450522551	1
29	ALLEN 6X50 / ALLEN BOLT 6X50	T0306050	1
30	ALLEN 6X25 / ALLEN BOLT 6X25	T0306025	1
31	TORNILLO ESPECIAL M8 / SPECIAL SCREW M8	T0208103	1
32	ALLEN 6X55 / ALLEN BOLT 6X55	T0306055	1
33	ANILLO BOMBA EATON PRESIÓN / EATON PRESSURE PUMP RING	MFS400122110	1
34	ALLEN 6X12 / 6X12 ALLEN BOLT	T0306012	1
35	TÓRICA CENTRÍFUGO 6X2 / 6X2 O'RING	ME25616045	1
36	ROTOR BOMBA DE RECUPERACIÓN / RETRIEVABLE PUMP ROTOR	MFS450322100	1
37	CTO. TUBO METÁLICO RETORNO / OIL RETURN METALLIC HOSE SET	BFS450532216	1
38	SEEGER RODAMIENTO / BEARING SEEGER	MFS450422240	1

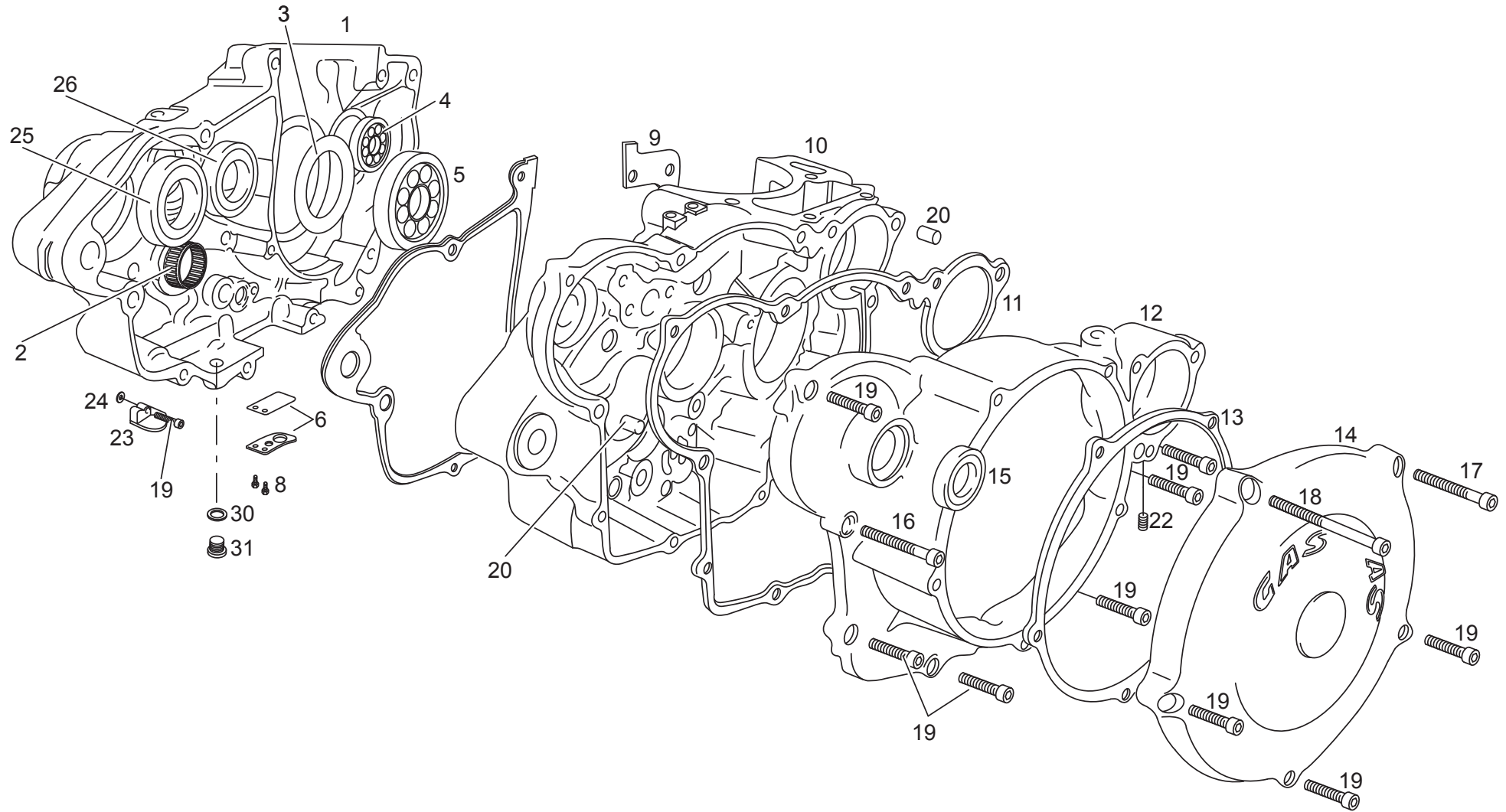




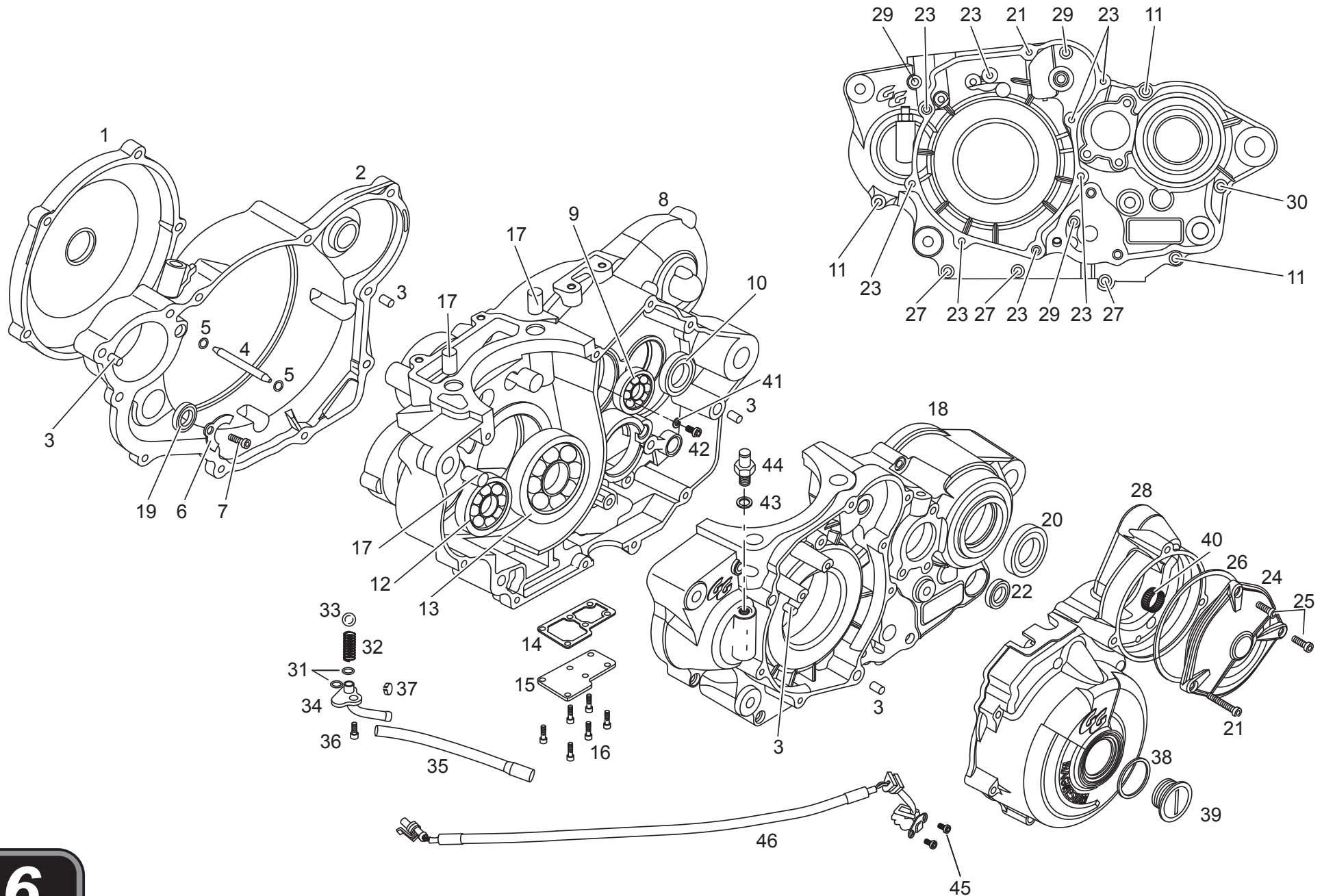
Nº	DESCRIPCIÓN / DESCRIPTION	FSE 2005	Cant.
1	CTO. PEDAL CAMBIO / GEAR LEVER SET	ME250036026R	1
5	HEXAGONAL 6X20 / HEXAGONAL BOLT 6X20	T0106025	1
8	SEEGER 12X1 EXTERIOR EJE SELECTOR / SEEGER 12X1	ME25636043	1
9	EJE HORQUILLA 5-6 / 5-6 FORK AXIS	MFS400136045	1
10	HORQUILLA 5-6 / SHIFT FORK 5-6	ME25636009	1
11	RODAMIENTO HK2512 DESMODRÓMICO / SHIFT CAM BEARING	ME25636055	1
12	HORQUILLA 1-2-3-4 / SHIFT FORK 1-2-3-4	ME25636008	1
13	EJE HORQUILLA 1-2-3-4 / 1-2-3-4 FORK AXIS	ME25636044	2
14	DESMODRÓMICO / SHIFT CAM	MFS450536031	1
15	RODAMIENTO HK3512 DESMODRÓMICO / SHIFT CAM BEARING	ME25636054	1
16	MUELLE FIJADOR MARCHAS / GEAR FASTEN SPRING	MFS400136034	1
17	FIJADOR MARCHAS / GEAR FASTEN	MFS400136033	1
18	CASQUILLO PLATINA FIJADOR MARCHAS / GEAR BUSHING	MFS400136047	1
19	ULS 6X16 / 6X16 ULS	T0506016	1
21	RETÉN SELECTOR 12-22-7 / SEAL 12-22-7	ME25636048	1
22	CASQUILLO EJE SELECTOR / AXIS BUSHING	ME250136050	1
23	EJE SELECTOR COMPLETO FSE 450 / FSE 450 COMPLET SELECTOR AXIS	MFS450436038CT	1
24	TORNILLO CENTRADOR MUELLE SELECTOR / SELECTOR SPRING SCREW	ME25636042	1
29	CTO. FIJADOR MARCHAS / GEAR FASTEN SET	MFS400136033CT	1
30	EJE SELECTOR / SELECTOR AXIS	ME250236038	1
31	MUELLE ESCORPIÓN / SCORPION SPRING	ME25636039	1
32	ESCORPIÓN / SCORPION	ME250236036	1
33	CASQUILLO CENTRADOR / CENTRER BUSHING	ME250236041	1
34	MUELLE SELECTOR / SELECTOR SPRING	ME25636035	1



Nº	DESCRIPCIÓN / DESCRIPTION	FSE 2005	Cant.
1	ARANDELA 18x40x0,6 / 18X40X0,6 WASHER	T4001840	2
2	PIÑÓN PRIMARIO II / PRIMARY II PINION	ME25636071	1
3	CIRCLIP D.25 DIN 471 REBAJADO / DIN 471 CIRCLIP	ME25636084	5
4	ARANDELA 31,5x(25x22)x1 ESTRIADA / 31,5x(25x22)x1 GROOVING WASHER	ME25636091	3
5	PIÑÓN PRIMARIO VI / PRIMARY VI PINION	ME25636074	1
6	PIÑÓN PRIMARIO III Y IV / PRIMARY III AND IV PINION	ME25636072	1
7	ARANDELA 25,2x31,5x1 CAMBIO / 25,2x31,5x1 GEAR WASHER	ME25636017	2
8	PIÑÓN PRIMARIO V / PRIMARY V PINION	ME25636073	1
9	COJINETE AGUJAS K25-29-10 / K25-29-10 NEEDLES BEARING	M02616000	1
10	EJE PRIMARIO / PRIMARY AXIS	MFS450336070	1
11	EJE SECUNDARIO / SECONDARY AXIS	MFS450336075	1
12	CIRCLIP D.25 DIN 983 / DIN 983 CIRCLIP	ME25636095	1
13	PIÑÓN SECUNDARIO II / SECONDARY II PINION	ME25636077	1
14	PIÑÓN SECUNDARIO VI / SECONDARY VI PINION	ME250136081	1
15	PIÑÓN SECUNDARIO III / SECONDARY III PINION	ME25636078	1
16	PIÑÓN SECUNDARIO IV / SECONDARY IV PINION	ME25636079	1
17	PIÑÓN SECUNDARIO V / SECONDARY V PINION	ME25636080	1
18	ARANDELA 20,8x29x1 CAMBIO / 20,8x29x1 GEAR WASHER	ME25636016	1
19	PIÑÓN SECUNDARIO I / SECONDARY I PINION	ME25636076	1
20	RODAMIENTO AGUJAS K20x24x10 / K20x24x10 NEEDLES BEARING	ME25636059	1
21	RODAMIENTO AGUJAS K25x22x9,8 / K25x22x9,8 NEEDLES BEARING	ME250236102	6
22	PIÑÓN SALIDA Z. 13 / Z13 EXIT PINION	ME25636025	1
23	DOLLA RETÉN SALIDA CAMBIO / GEAR EXIT SEAL	ME25636046	1
24	TÓRICA 25x2 NBR PIÑÓN SALIDA / EXIT PINION SEAL	ME25632025	2
25	RETÉN 25X40X7 / 25X40X7 SEAL	M01217001A	1
26	RODAMIENTO CAMBIO 6205 C3 / GEAR 6205 C3 BEARING	ME25636056	1
27	GRUPO CAMBIO COMPLETO / GEAR SET	MFS450336010	1
28	COJINETE 6305 2Z C3 CAMBIO / GEAR 6305 2RSH BEARING	MFS400136167	1

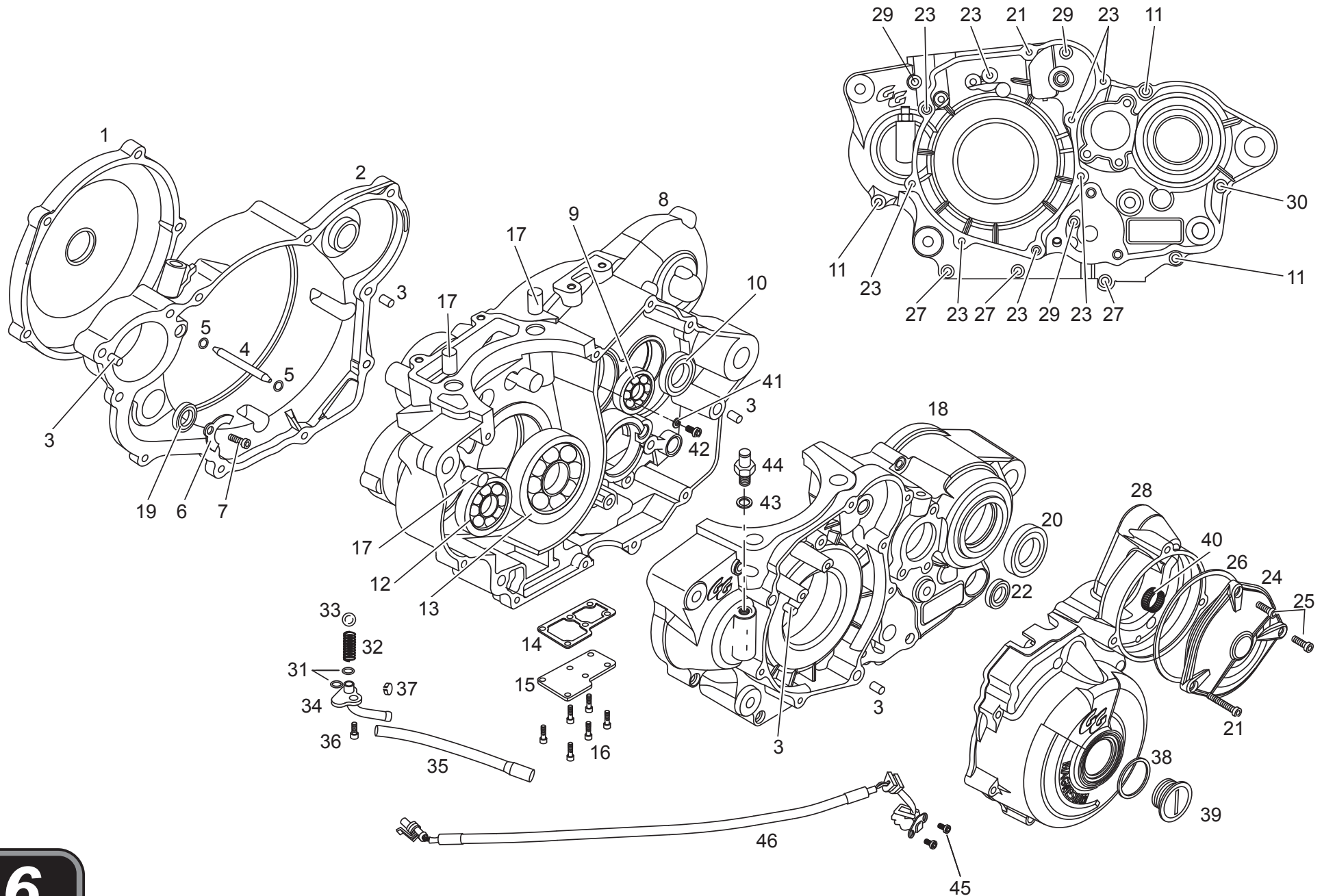


Nº	DESCRIPCIÓN / DESCRIPTION	FSE 2005	Cant.
1	CÁRTER IZQUIERDO / LEFT CARTER	MFS450510001	1
2	RODAMIENTO HK2512 / HK2512 BEARING	ME25636055	1
3	ARANDELA OBTURACIÓN / WASHER	MFS400112027	1
4	RODAMIENTO 6303 C3 / 6303 C3 BEARING	MFS400112030	1
5	COJINETE 6306 C4 / 6306 C4 BEARING	ME25612006/2	1
6	CTO. LÁMINAS OBTURACIÓN PASO ACEITE / OIL OBTURATION REED KIT	MFS400110120	1
8	PHILIPS TORNILLO 3X5 / 3X5 SCREW PHILIPS	T0703005	2
9	JUNTA CÁRTER CENTRAL / CENTRAL CRANKCASE GASKET	MFS450544001	1
10	CÁRTER DERECHO / RIGHT CRANKCASE	MFS450510000	1
11	JUNTA TAPA EMBRAGUE / CLUTCH COVER GASKET	MFS450544002	1
12	TAPA EMBRAGUE / CLUTCH COVER	MFS450532001	1
13	JUNTA TAPA DISCOS EMBRAGUE / DISCS COVER GASKET	ME25644003	1
14	TAPA DISCOS EMBRAGUE / DISCS CLUTCH COVER	ME250332002	1
15	RETÉN 20/30/7/AI / 20/30/7/AI SEAL	ME25632021	1
16	ALLEN 6X30 / 6X30 ALLEN BOLT	T0306030	1
17	ALLEN 6X60 / 6X60 ALLEN BOLT	T0306060	1
18	ALLEN 6X80 / 6X80 ALLEN BOLT	T0306080	1
19	ALLEN 6X25 / 6X25 ALLEN BOLT	T0306025	10
20	CASQUILLO CENTRADOR CÁRTER / CRANKCASE BUSHING	ME25610018	2
22	TORNILLO ESPECIAL M6 / M6 SPECIAL SCREW	MFS400136065	1
23	CAMPANA ASPIRACIÓN ACEITE / OIL ASPIRATE	MFS400122550	1
24	TÓRICA 11,2X15X1,4 / 11,X15X1,4 O-RING	MFS400110026	1
25	COJINETE 6203 2RSH C3 / 6203 2RSH C3 BEARING	MFS450536168	1
26	COJINETE 6205 C3 2RSH / 6205 C3 2RSH BEARING	ME25636056	1
30	ARANDELA COBRE 12X18X1,5 / 12X18X1,5 WASHER	ME25810030	1
31	TAPÓN VACIADO ACEITE CON IMÁN / OIL DRAIN CAP WITH MAGNE	ME25610017	1





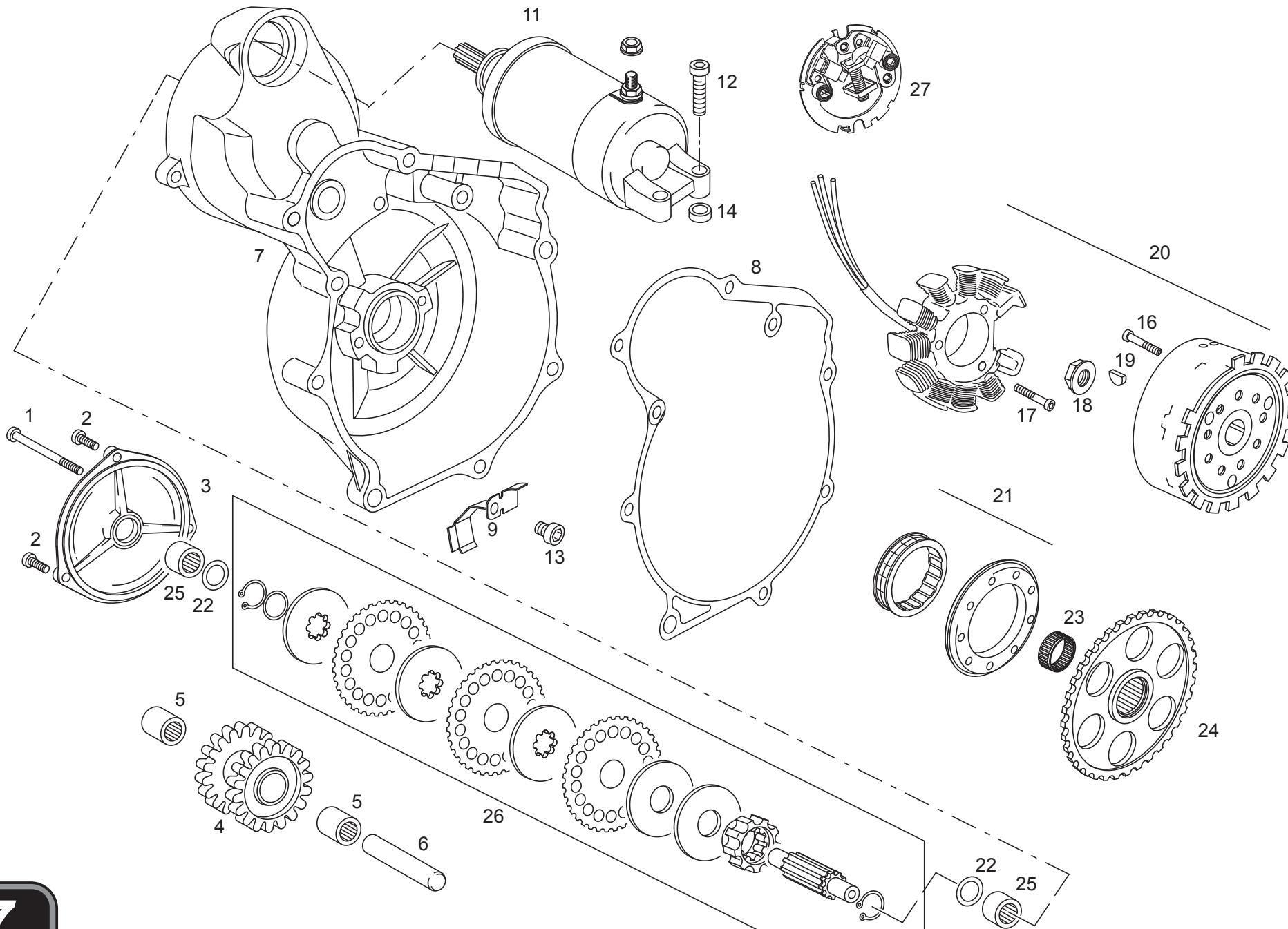
Nº	DESCRIPCIÓN / DESCRIPTION	FSE 2005	Cant.
1	TAPA DISCOS EMBRAGUE / CLUTCH DISCS COVER	ME250532002	1
2	TAPA EMBRAGUE EC400 4T / CLUTCH COVER	MFS450532001	1
3	CASQUILLO CENTRADOR CÁRTER / CRANKCASE BUSHING	ME25610018	5
4	CONDUCTO ACEITE D.3X8 PISTÓN / OIL PISTON PIPE	MFS400110023	1
5	TÓRICA 9X2 / 9X2 O'RING	MFS400110025	2
6	PLANCHA RETÉN CIGÜEÑAL TAPA EMBRAGUE / SEAL PLATE	MFS400112019	1
7	ALLEN 5X8 / 5X8 ALLEN BOLT	T0305008	1
8	CÁRTER DERECHO ALUMINIO EC400 4T / EC400 4T RIGHT ALUMINIUM CRANKCASE	MFS450510000	1
9	RODAMIENTO 6205 C3 2RSH / 6205 C3 2RSH BEARING	ME25636056	1
10	RODAMIENTO 6203 2RSH C3 / 6203 2RSH C3 BEARING	MFS450536168	1
11	ALLEN 6X35 / 6X35 ALLEN BOLT	T0306035	3
12	RODAMIENTO 6303 C3 SKF / 6303 C3 SKF BEARING	MFS400112030	1
13	RODAMIENTO 6306 C4 KOYO / 6306 C4 KOYO BEARING	ME25612006/2	1
14	JUNTA TAPA ACCESO INFERIOR CÁRTER / INFERIOR CRANKCASE COVER GASKET	MFS400110123/2	1
15	TAPA ACCESO INFERIOR CÁRTER / INFERIOR CRANKCASE COVER	MFS450510122	1
16	ALLEN 6X16 / 6X16 ALLEN BOLT	T0306016	6
17	CENTRADOR CULATA L18 EC400 4T / CYL. HEAD BUSHING	MFS400116066	3
18	CÁRTER IZQUIERDO ALUMINIO EC400 4T / EC400 4T LEFT ALUMINIUM CRANKCASE	MFS450510001	1
19	RETÉN 24X14X7AS.P-NB / 24X14X7AS.P-NB SEAL	MFS400112008	1
20	RETÉN SALIDA CAMBIO 25X40X7 / 25X40X7 GEAR SEAL	M01217001A	1
21	ALLEN 5X75 / 5X75 ALLEN BOLT	T0305075	1
22	RETÉN EJE SELECTOR 12-22-7 AS-CC / 12-22-7 AS-CC SELECTOR AXIS SEAL	ME25636048	1
23	ALLEN 5X35 / 5X35 ALLEN BOLT	T0305035	8
24	SUB-TAPA ARRANQUE FSE 450-2005 / FSE 450-2005 STARTER COVER	MFS450510028	1
25	ALLEN 5X16 / 5X16 ALLEN BOLT	T0305016	2
26	TÓRICA 80X2 SUB-TAPA ARRANQUE FSE450-2005 / FSE450-2005 80X2 STARTER COVER	MFS450510029	1
27	ALLEN 6X45 / 6X45 ALLEN BOLT	T0306045	3
28	TAPA VOLANTE MAGNÉTICO / IGNITION COMP. COVER	MFS450510004	1
29	ALLEN 6X55 / 6X55 ALLEN BOLT	T0306055	3
30	ALLEN 6X65 / 6X65 ALLEN BOLT	T0306065	1
31	TÓRICA 1,78x7,94 TAPA ENTRADA ACEITE CÁRTER / 1,78x7,94 O'RING	T0306060	2
32	MUELLE RETORNO ACEITE EC400-4T / EC400-4T OIL RETURN SPRING	MFS400122311	1
33	BOLA CENTRÍFUGO EMB.DE 8 m/m. / 8 mm BALL	MFS400122315	1
34	TAPA ENTRADA ACEITE CÁRTER / OIL INNER COVER	ME25616033	1
35	TUBO VACIADOR DEPÓSITO ACEITE EC400-4T / EC400-4T OIL HOSE EMPTIER	MFS400122310	1
36	ALLEN 6X12 / 6X12 ALLEN BOLT	MFS400122150	1
37	ABRAZADERA D.12.9-13.6 AMARILLA / 12.9-13.6 YELLOW CLAMP	T0306012	2
38	TÓRICA 27.4x2,4 / 27.4X2,4 O'RING	BE250210047	1
39	TAPÓN ROSCA TAPA VOLANTE MAGNÉTICO / IGNITION COVER SCREW TOP	MFS400126563	1



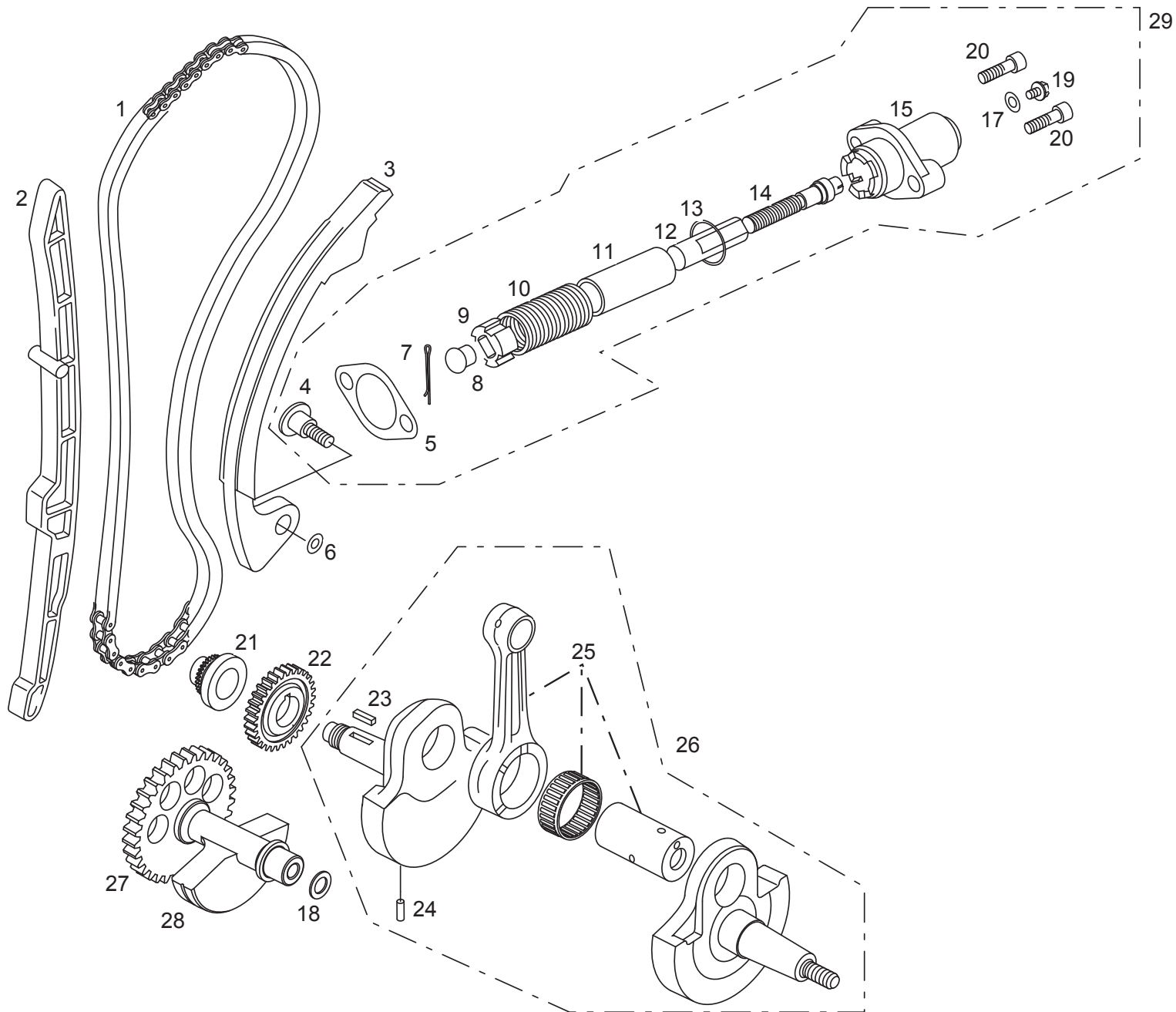


Nº	DESCRIPCIÓN / DESCRIPTION	FSE 2005	Cant.
40	RODAMIENTO AGUJAS HK1010 EC400-4T / HK 1010 EC400-4T NEEDLES BEARING	MFS400126022	1
41	ARANDELA 7X18X2,7 / 7X18X2,7 WASHER	ST950710	1
42	ALLEN 6X12 / 6X12 ALLEN BOLT	T0306012	1
43	ARANDELA COBRE 14X18X1,5 / 14X18X1,5 COOPER WASHER	MFS450510030	1
44	CONECTRO TUBO DESVAPORIZADOR CÁRTER / CRANKCASE STEAM HOSE CONNECTOR	BFS450528048	1
45	ALLEN 5X8 / 5X8 ALLEN BOLT	T0305008	2
46	SENSOR DE GIRO / TURN SENSOR	MFS450580005	1

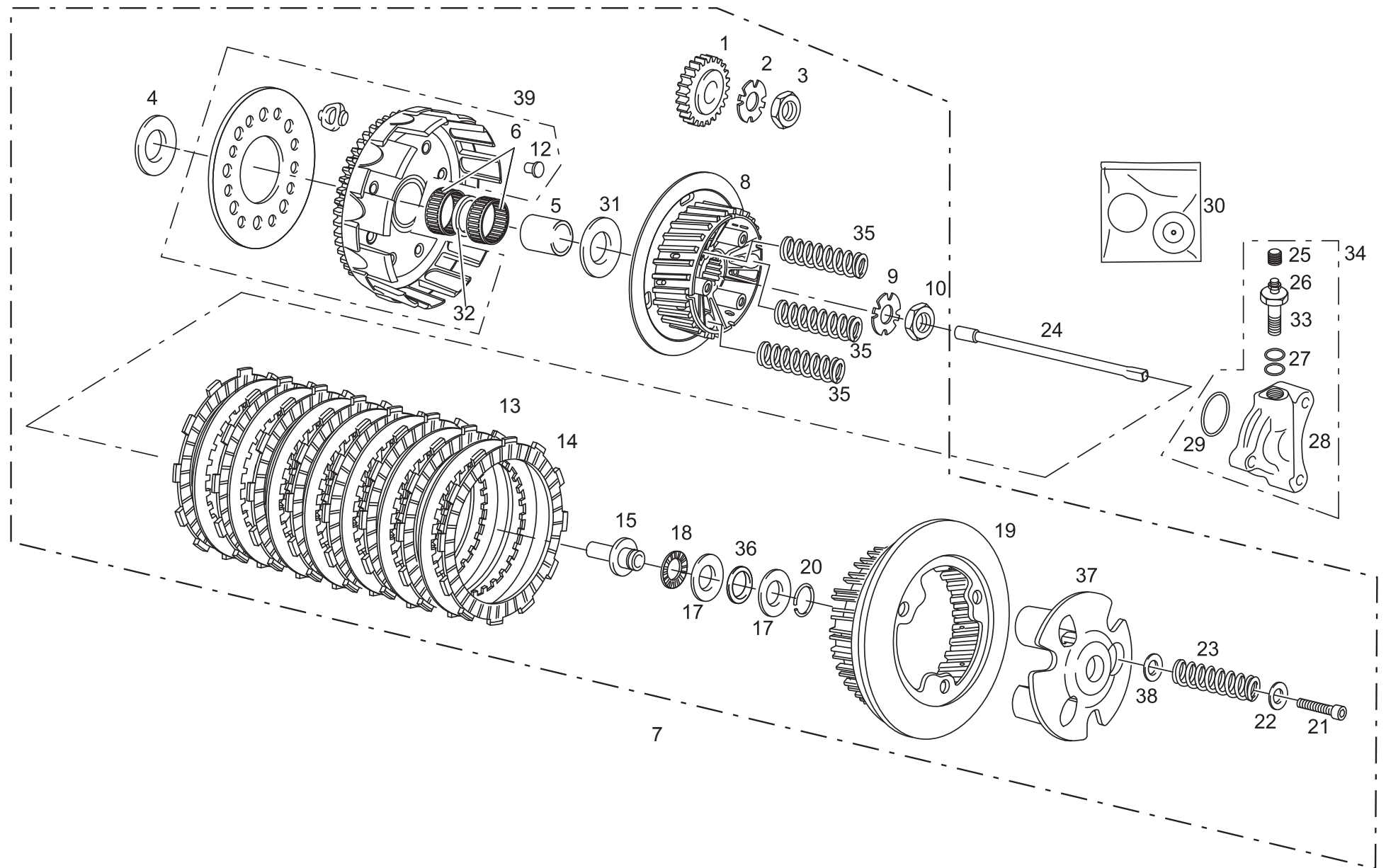




Nº	DESCRIPCIÓN / DESCRIPTION	FSE 2005	Cant.
1	ALLEN 5X75 / 5X75 ALLEN BOLT	T0305075	1
2	ALLEN 5X16 / 5X16 ALLEN BOLT	T0305016	2
3	SUB-TAPA ARRANQUE FSE 450-2005 / FSE 450-2005 START COVER	MFS450510028	1
4	PIÑÓN INTERMEDIO ARRANQUE ELÉCTRICO 24X21 / 24X21 ELECTRIC STARTER INTERMEDIATE SPROCKET	MFS450526520	1
5	RODAMIENTO AGUJAS HK1012 / HK1012 NEEDLES BEARING	MFS400326023	2
6	EJE PIÑÓN ARRANQUE INTERMEDIO / INTERMEDIATE STARTER SPROCKET AXIS	MFS450526505	1
7	TAPA VOLANTE MAGNÉTICO / IGNITION COVER	MFS450510004	1
8	JUNTA TAPA VOLANTE FSE450-2005 / FSE450-2005 IGNITION COVER GASKET	MFS450544004	1
9	PLETINA SOPORTE CABLES MOTOR ENCENDIDO FSE 2005 / FSE 2005 IGNITION CABLING HOLDER	MFS450534019	1
11	MOTOR DE ARRANQUE FSE 450-2005 / FSE 450-2005 START ENGINE	MFS450526500	1
12	ALLEN 6X25 / 6X25 ALLEN BOLT	T0305025	2
13	ALLEN 5X6 / 5X6 ALLEN BOLT	T0305006	1
14	CASQUILLO DISTANCIADOR ARRANQUE / STARTER SPACER BUSHING	R233000	2
16	ALLEN 6X16 / 6X16 ALLEN BOLT	T0306016	9
17	ALLEN 5X25 / 5X25 ALLEN BOLT	T0305025	2
18	TUERCA VOLANTE / IGNITION NUT	MFS400134011	1
19	CHAVETA VOLANTE / IGNITION PIN	MFS400134016	1
20	VOLANTE MAGNÉTICO / IGNITION MOBILE	MFS450434005	1
21	CONJUNTO EMBRAGUE ARRANQUE / IGNITION CLUTCH SET	MFS450526550	1
22	ARANDELA 10X19X0,5 / 10X19X0,5 WASHER	MFS450526516	2
23	RODAMIENTO DE AGUJAS ARRANQUE / STARTER NEEDLE BEARING	MFS400126020	1
24	CORONA DE ARRANQUE / STARTER SPROCKET	MFS450526540	1
25	RODAMIENTO AGUJAS HK 1010 EC400-4T / HK 1010 EC400-4T NEEDLES BEARING	MFS400126022	2
26	CTO. PIÑÓN ARRANQUE EMBRAGUE / CLUTCH STARTER SPROCKET SET	MFS450526510CT	1
27	ESCOBILLAS MOTOR ARRANQUE / STARTER ENGINE BRUSHES	MFS400326501	1

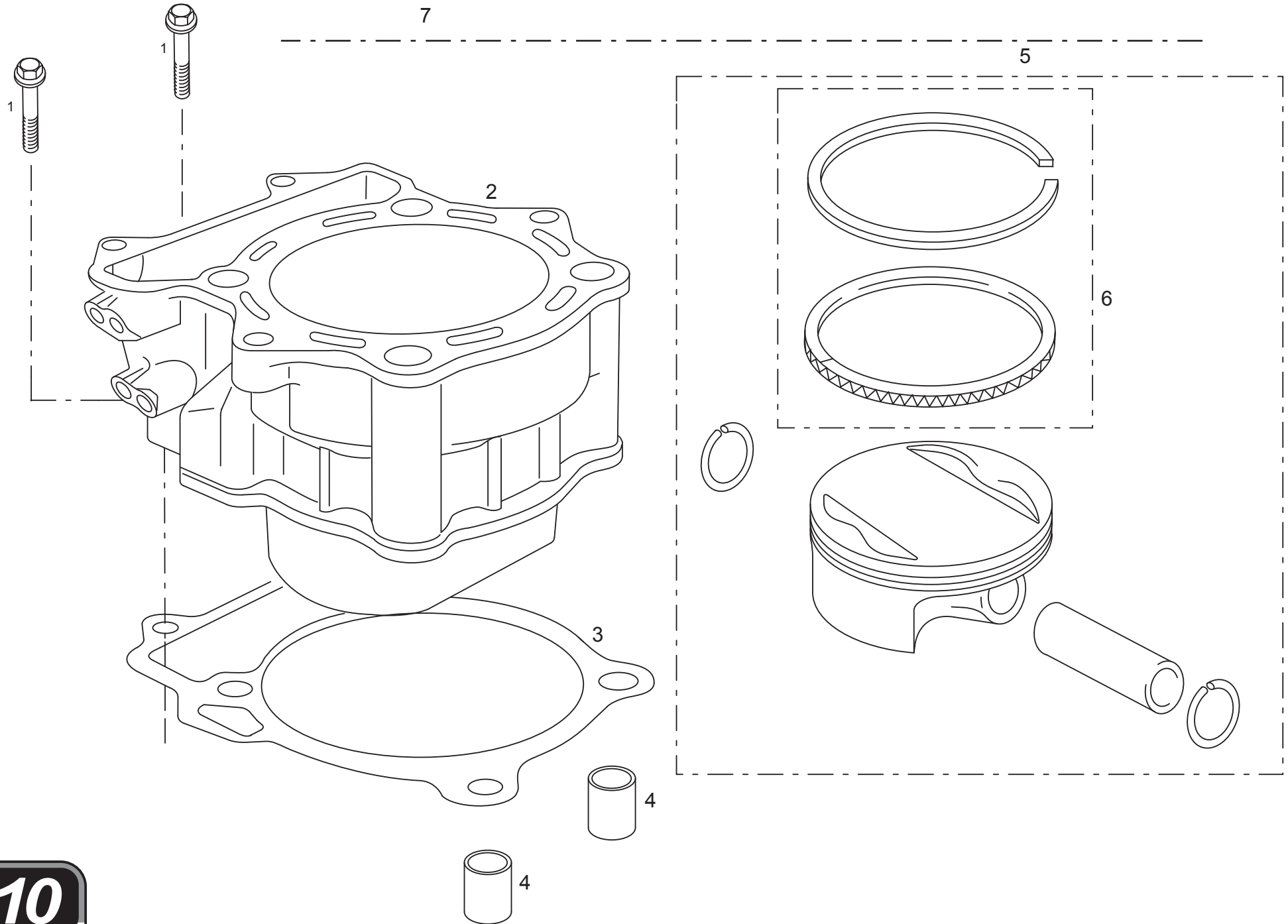


Nº	DESCRIPCIÓN / DESCRIPTION	FSE 2005	Cant.
1	CADENA DISTRIBUCIÓN / CAM SHAFT DRIVE CHAIN	MFS400116360	1
2	GUÍA CADENA DISTRIBUCIÓN DELANTERA / CAM CHAIN GUIDE	MFS400116364	1
3	GUÍA CADENA DISTRIBUCIÓN TRASERA / CAM CHAIN TENSIONER	MFS400116363	1
4	TORNILLO FIJACIÓN PATILLA GUÍA CADENA DISTRIBUCIÓN / CHAIN GUIDE SCREW	MFS400116365	1
5	JUNTA TENSOR DISTRIBUCIÓN FSE 4T / CHAIN TENSOR GASKET	MFS400144025	1
6	ARANDELA 6,25X21X1 / 6,25X21X1 WASHER	MFS450410107	1
7	PASADOR ELÁSTICO D2X12 FSE 4T / D2X12 FSE 4T ELASTIC PIN	MFS400116409	1
8	APRETADOR TENSOR CADENA DISTRIBUCIÓN / CHAIN TENSOR PUSHER	MFS400116403	1
9	CRUZ TENSOR CADENA DISTRIBUCIÓN / CHAIN TENSOR BUSHING	MFS400116402	1
10	MUELLE TORSIÓN TENSOR CADENA / CHAIN TENSOR SPRING	MFS400116410	1
11	TUBO TENSOR CADENA DISTRIBUCIÓN / CAM SHAFT CHAIN TENSOR HOSE	MFS400116404	1
12	TUERCA EMPUJADOR TENSOR CADENA / CHAIN TENSOR PUSHER WASHER	MFS400116405	1
13	ANILLO ELÁSTICO TENSOR CADENA / CHAIN TENSOR ELASTIC RING	MFS400116411	1
14	TORNILLO EMPUJADOR TENSOR CADENA / CHAIN TENSOR PUSHER BOLT	MFS400116406	1
15	TENSOR CADENA DISTRIBUCIÓN / CHAIN TENSOR	MFS400116400	1
17	ARANDELA KLINGERIT 6X15X0,5 / 6X15X0,5 WASHER	MFS400116407	1
18	ARANDELA 17,5X25,8X0,5 / 17,5X25,8X0,5 WASHER	M03625000	1
19	TORNILLO HEXAGONAL 6X8 / HEXAGONAL BOLT 6X8	T0106008	1
20	ALLEN 6X25 / 6X25 ALLEN BOLT	T0306025	2
21	PIÑÓN CADENA DISTRIBUCIÓN / CAM CHAIN DRIVE SPROCKET	MFS400116361	1
22	ENGRANAJE ÁRBOL DE LEVAS FSE 4T / FSE 4T CAMSHAFT SPROCKET	MFS400116370	1
23	CHAVETA LADO EMBRAGUE FSE 4T / FSE 4T CLUTCH SIDE KEY	MFS400112010	1
24	AGUJA 5X8 CIGÜEÑAL / 5X8 CRANKSHAFT PIN	MFS400112022	1
25	CONJUNTO BIELA / CONNECTING ROD	MFS400112100	1
26	CONJUNTO CIGÜEÑAL / CRANKSHAFT SET	MFS450512000	1
27	PIÑÓN EJE DE BALANCE / DRIVE GEAR	MFS450512001	1
28	CONJUNTO EJE DE BALANCE / CRANK BALANCER SET	MFS450512003	1
29	CONJUNTO TENSOR CADENA / CHAIN TENSION ADJUSTER SET	MFS400116420	1



Nº	DESCRIPCIÓN / DESCRIPTION	FSE 2005	Cant.
1	PIÑÓN CIGÜEÑAL TRANS. PRIMARIA / PRIM. TRANS. CRANK SHAFT PIN.	MFS400112004	1
2	ARANDELA PRECINTO PIÑÓN CIGÜEÑAL / CRANKSHAFT SPROCKET WASHER	MFS450532017	1
3	TUERCA CIGÜEÑAL LADO EMBRAGUE / CRANK SHAFT NUT	MFS400132018	1
4	ARANDELA CAMPANA EMBRAGUE / CLUTCH WASHER	MFS400132011	1
5	CASQUILLO CAMPANA EMBRAGUE / PRIMARY DRIVEN GEAR BUSHING	MFS400132012	1
6	COJINETE CAMPANA EMBRAGUE / PRIMARY DRIVEN GEAR BEARING	ME25632029	2
7	CTO. CORONA EMBRAGUE / CLUTCH SPROCKET SET	MFS450532003	1
8	CUBO EMBRAGUE / CLUTCH BOSS	MFS450532005	1
9	ARANDELA PRECINTO EMBRAGUE / CLUTCH LOCK WASHER	MFS450532022	1
10	TUERCA FIJACIÓN CUBO EMBRAGUE / CLUTCH BOSS NUT	ME25632028	1
13	DISCO EMBRAGUE HIERRO / IRON CLUTCH DISK	ME25632037	7
14	DISCO EMBRAGUE FORRADO / COVERED CLUTCH DISK	ME25632007	8
15	EMPUJADOR EMBRAGUE / CLUTCH PULLER	ME25632014	1
17	ARANDELA COJINETE / BEARING WASHER	ME25632016	2
18	JAULA AGUJAS / NEEDLE BEARING	ME25632046	1
19	PRENSA EMBRAGUE / PRESSURE PLATE BEARING	MFS450532051	1
20	SEEGER EMPUJADOR EMBRAGUE / CLUTCH PULLER SEEGER	MFS450532054	1
21	ALLEN 5X25 / ALLEN BOLT 5X25	T0305025	3
22	ARANDELA 6X18X1,5 / 6X18X1,5 WASHER	T4006018	3
23	MUELLE / SPRING	MFS450532054	3
24	VARILLA EMBRAGUE / CLUTCH ROD	MFS400132040/2	1
25	TAPÓN SANGRADOR / BLEEDER CAP	BE25622055	1
26	SANGRADOR PINZA EMBRAGUE / BLEEDER	BE25622060	1
27	ARANDELA LATIGUILLO / HOSE WASHER	BE25622007	2
28	PINZA EMBRAGUE HIDRÁULICO / HYDRAULIC CLUTCH CALIPER	ME25632026	1
29	TÓRICA BOMBA EMBRAGUE / CLUTCH PUMP O'RING	ME25632024	1
30	KIT REPARACIÓN PINZA EMBRAGUE / CLUTCH CALIPER KIT	BE25622050	1
31	ARANDELA CAMPANA EMBRAGUE / CLUTCH BELL WASHER	MFS400132011	1
32	CASQUILLO COJINETE CAMPANA EMBRAGUE / CLUTCH BELL BUSHING BEARING	MFS400132036	1
33	RACOR PINZA EMBRAGUE / RACORD CLUTCH CALIPER	M01030000	1
34	CONJUNTO PINZA EMBRAGUE FSE / FSE CLUTCH CALIPER KIT	MFS400132026	1
35	MUELLE CUBO EMBRAGUE / CLUTCH BOSS SPRING	MFS450332015	3
36	ARANDELA ELÁSTICA / WELT WASHER	MFS450532055	1
37	TAPA CUBO EMBRAGUE / CLUTCH BOSS COVER	MFS450532052	1
38	ARANDELA 18X13X1,5 / 18X13X1,5 WASHER	MFS450532053	3
39	CORONA EMBRAGUE / CLUTCH SPROCKET	MFS400132003	

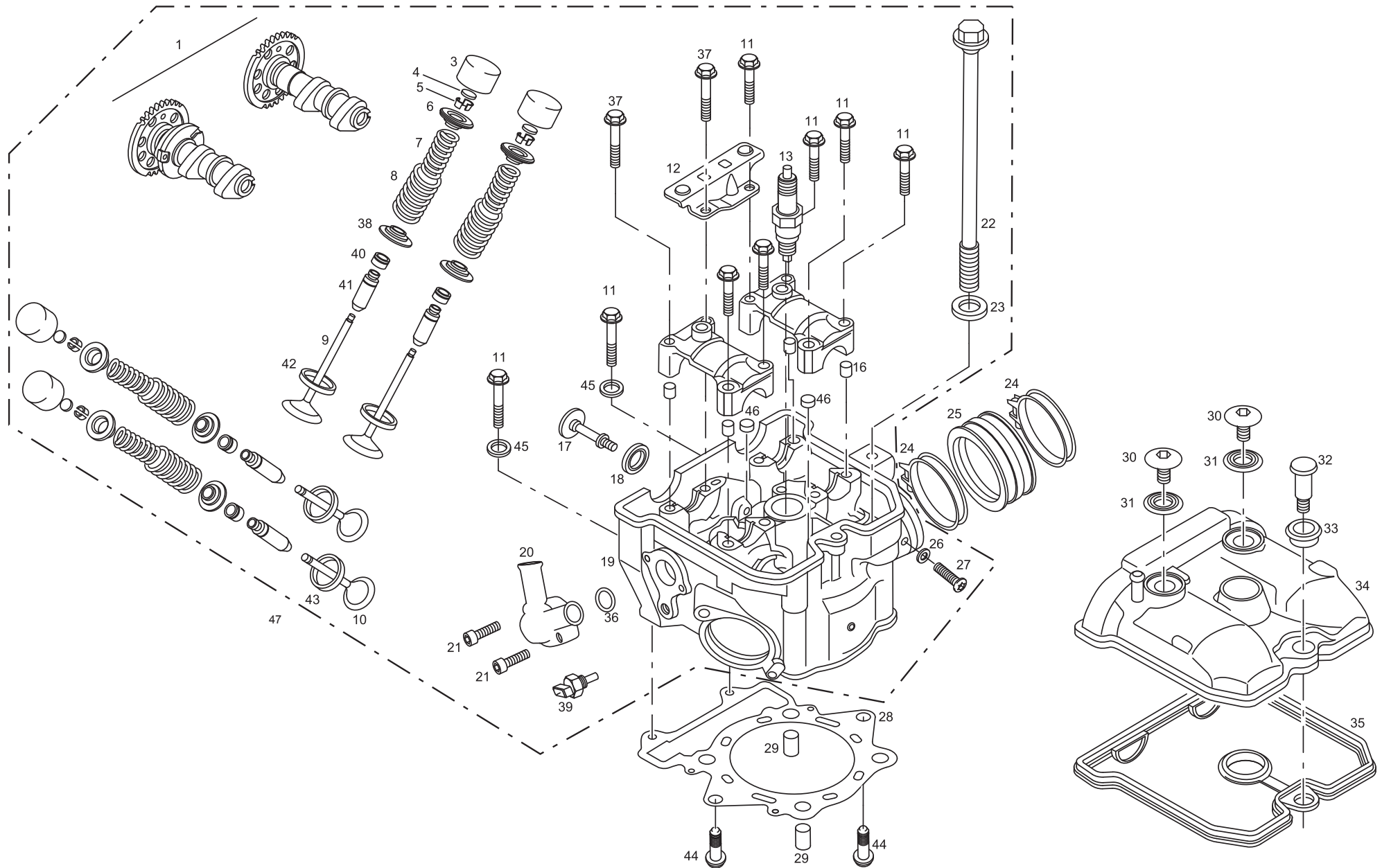




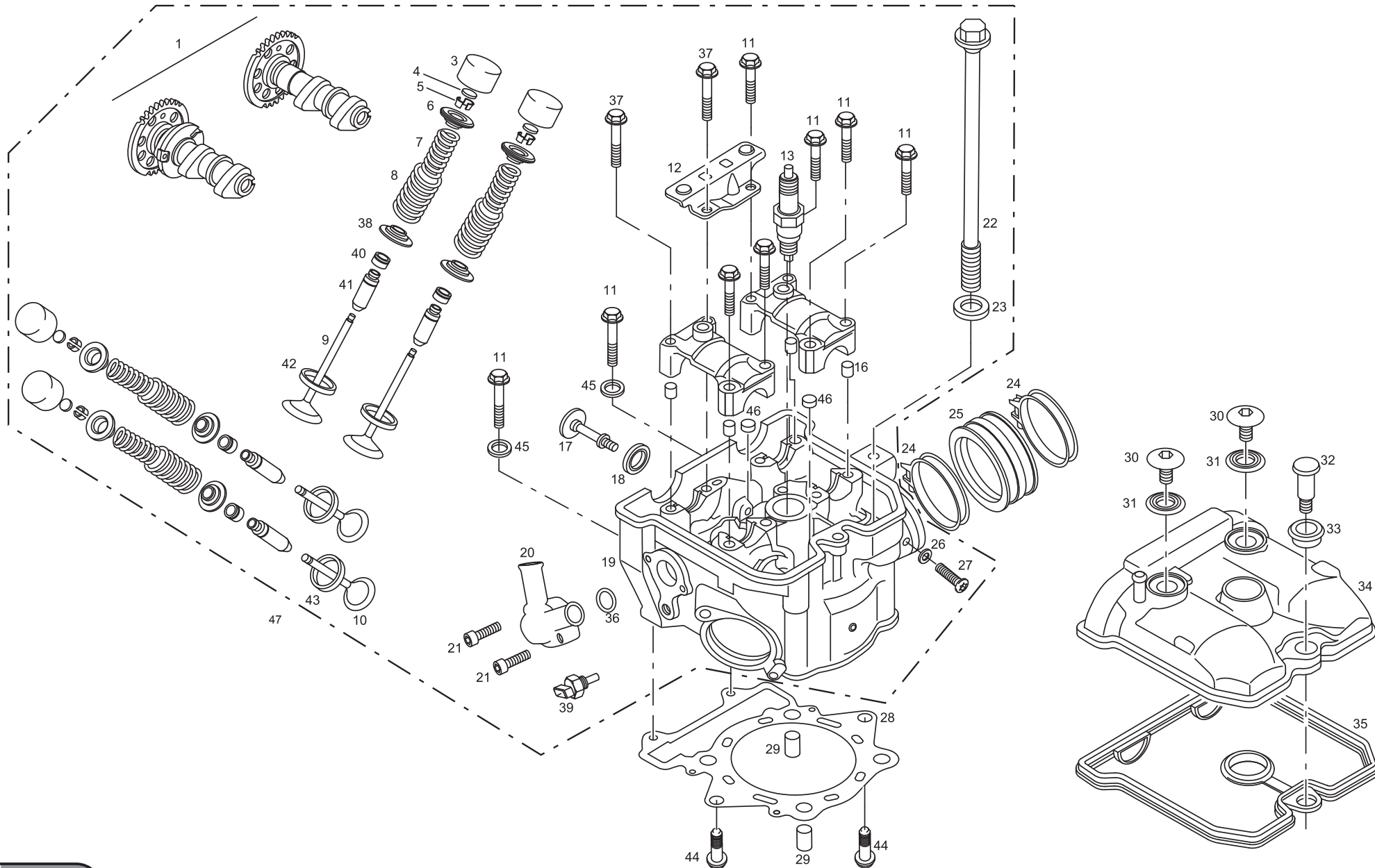


Nº	DESCRIPCIÓN / DESCRIPTION	FSE 2005	Cant.
1	TORNILLO ESPECIAL 6X25 / 6X25 SPECIAL SCREW	T0606025	2
2	CILINDRO FSE 450-2005 / FSE 450-2005 CYLINDER SET	MFS450516022	1
3	JUNTA CILINDRO FSE 500-2005 / FSE 500-2005 CLINDER GASKET	MFS500544000	1
4	CASQUILLO CENTRADOR CULATA / HEAD CYLINDER BUSHING	MFS400116066	2
5A	CONJUNTO PISTÓN A / A PISTON SET	MFS450516020	1
5B	CONJUNTO PISTÓN B / B PISTON SET	MFS450516121	1
6	CONJUNTO AROS PISTÓN / PISTON O'RING SET	MFS450516040	1
7	CONJUNTO CILINDRO Y PISTON / PISTON CYLINDER SET	MFS450516022CT	1



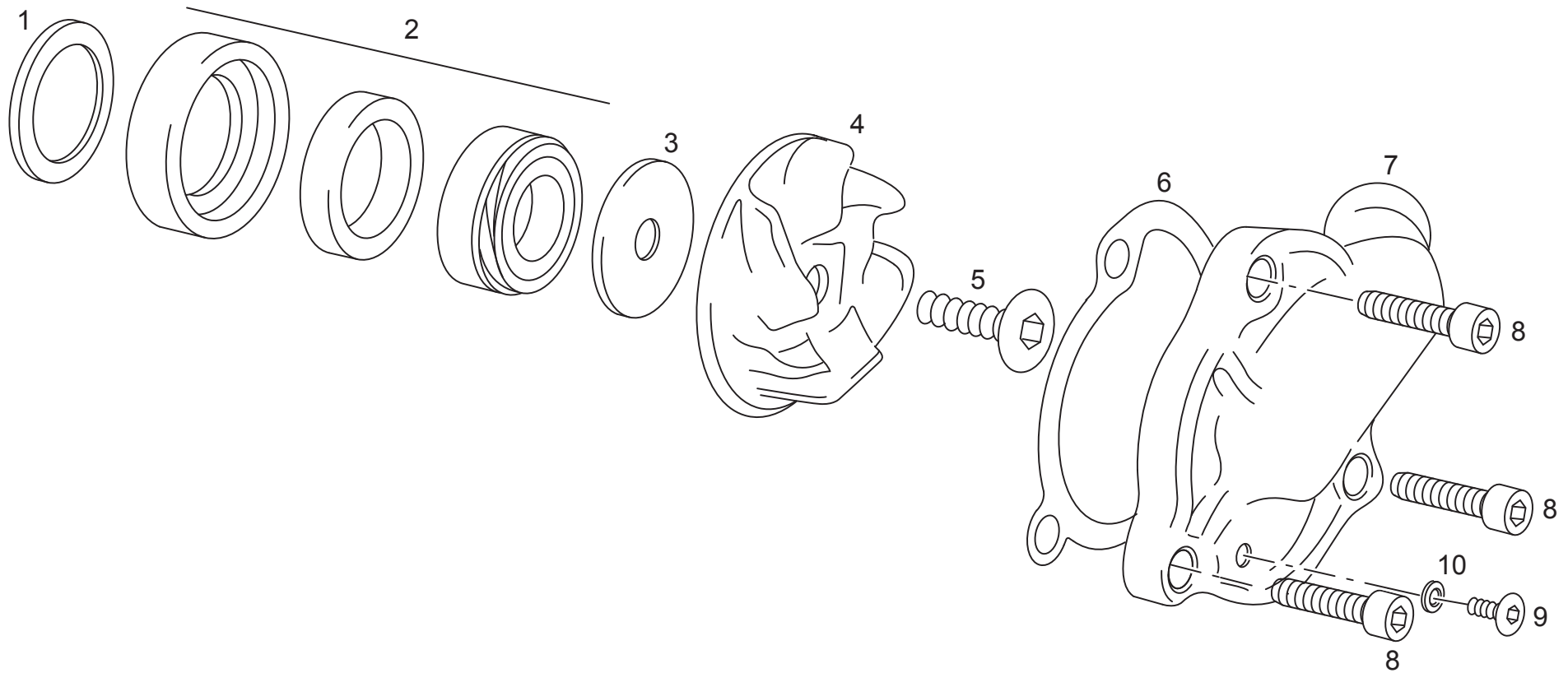


Nº	DESCRIPCIÓN / DESCRIPTION	FSE 2005	Cant.
1	ÁRBOL DE LEVAS ADMISIÓN Y ESCAPE / INTAKE EXHAUST CAMSHAFT	MFS450416354CT	1
3	VASO EMPUJADOR VÁLVULA / TAPPET	MFS400116300	4
4	PASTILLA REGLAJE BASE VÁLVULA / TAPPET SHIM	MFS400116044	4
5	SEMICONO / VALVE COTTER	MFS400116048	8
6	PLATILLO SEMICONO / SPRING RETAINER	MFS400116047	4
7	MUELLE VÁLVULA INTERIOR / INTERIOR VALVE SPRING	MFS400116059	4
8	MUELLE VÁLVULA EXTERIOR / EXTERIOR VALVE SPRING	MFS400116058	4
9	VÁLVULA ADMISIÓN / INTAKE VALVE	MFS400116043	2
10	VÁLVULA ESCAPE / EXHAUST VALVE	MFS400116015	2
11	TORNILLO 6X40 / 6X40 BOLT	MFS400116351	8
12	GUÍA CADENA DISTRIBUCIÓN SUPERIOR / UPPER CAM SHAFT GUIDE	MFS400116362/2	1
13	BUJÍA NGK CR8 E / NGK CR8 E SPARK PLUG	MFS400134000	1
16	CASQUILLO CENTRADOR TAPA ÁRBOL LEVAS / CAMSHAFT COVER CENTERING PIN	MFS400116350	4
17	TORNILLO ESPECIAL CULATA M7 / M7 CYLINDER HEAD SPECIAL SCREW	MFS400116067	1
18	ARANDELA CULATA 11X25X4 / 11X25X4 CYLINDER HEAD WASHER	T4001126	1
19	CULATA / CYLINDER HEAD	MFS450616000	1
20	TUBERA SALIDA AGUA CULATA / THERMOSTAT COVER	MFS400116104	1
21	ALLEN NEGRO 5X30 / 5X30 BLACK ALLEN BOLT	T0305030N	2
22	TORNILLO M10X175 / M10X175 BOLT	T0201070	4
23	ARANDELA 10,5X19X2 / 10,5X19X2 WASHER	MFS450516099	4
24	ABRAZADERA 40-60 / 40-60 CLAMP	L200047	2
25	TUBERA ADMISIÓN / INTAKE	MFS400116131	1
26	ARANDELA 8X16X1,5 / 8X16X1,5 WASHER	T4008016	1
27	ULS 8X12 / 8X12 ULS BOLT	T0508012	1
28	JUNTA CULATA / CYLINDER HEAD GASKET	MFS450544020	1
29	CASQUILLO CENTRADOR CULATA / CYLINDER HEAD BUSHING	MFS400116066	2
30	TORNILLO ESPECIAL 7X15,3 / 7X15,3 SPECIAL SCREW	T0207017	2
31	ARANDELA TAPA CULATA 11X25X2 / 11X25X2 WASHER	T4001125	2
32	TORNILLO ESPECIAL 7X31 / 7X31 SPECIAL SCREW	T0207031	1
33	ARANDELA TAPA CULATA 12X23X5/7,5 / 12X23X5/7,5 CYLINDER HEAD WASHER	T4001223	1
34	TAPA CULATA / CYLINDER HEAD COVER	MFS450516100	1
35	JUNTA TAPA CULATA / CYLINDER HEAD GASKET	MFS400144015	1
36	TÓRICA 24X2 TUBERA SALIDA AGUA CULATA / WATER EXIT GASKET	MFS400116105	1
37	TORNILLO M6X45 TAPA ÁRBOL LEVAS LARGO / 6X45 SCREW	MFS400116352	2
38	ARANDELA MUELLE VÁLVULA / SPRING SEAT WASHER	MFS400116049	4
39	SENSOR AGUA / WATER SENSOR	MFS400180004	1
40	RETÉN VÁLVULA / VALVE SEAL	MFS400116039	4
41	GUÍA VÁLVULA / VALVE GUIDE	MFS400116046	4
42	ASIENTO VÁLVULA ADMISIÓN / INTAKE VALVE BASE	MFS400116143	2

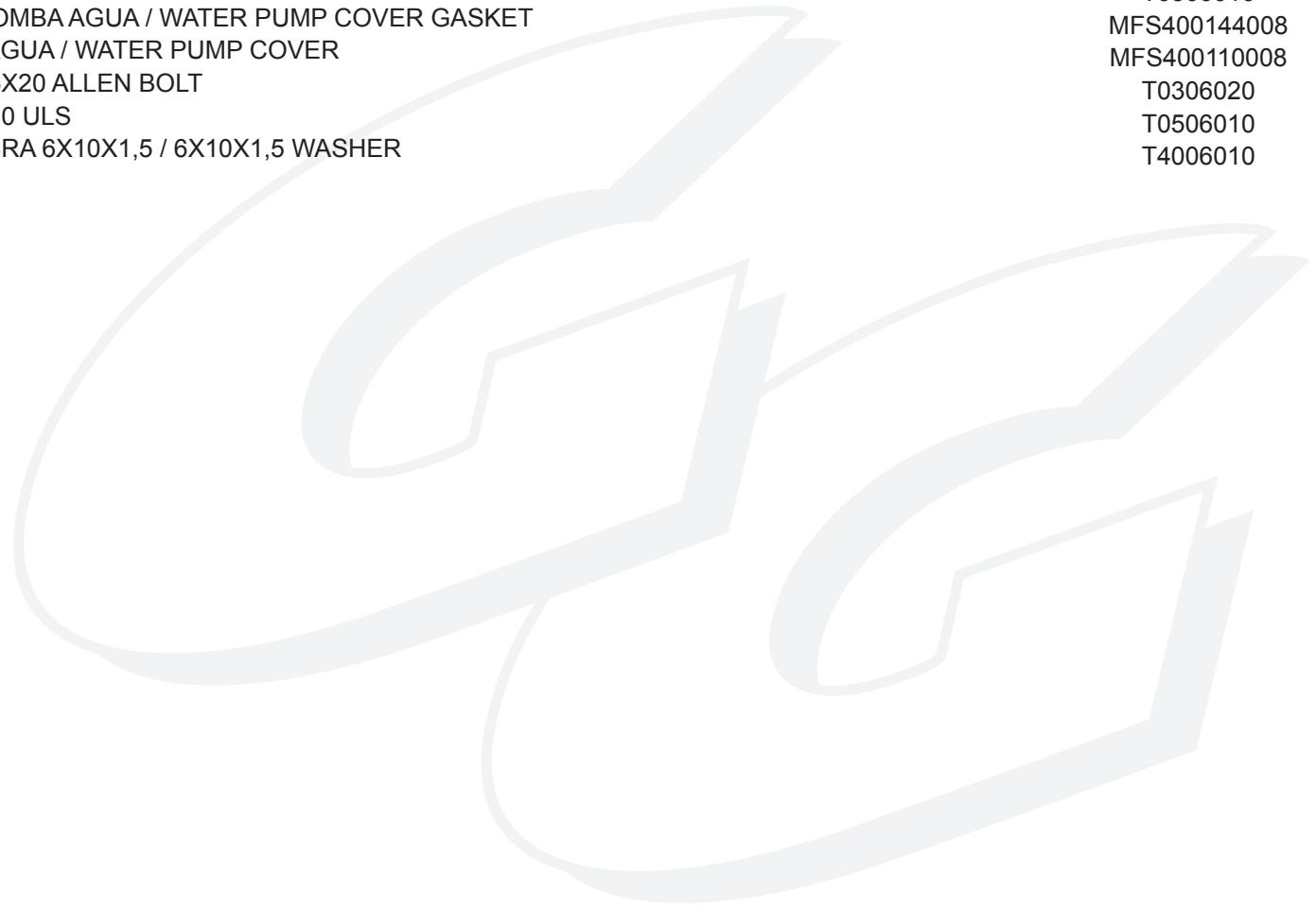


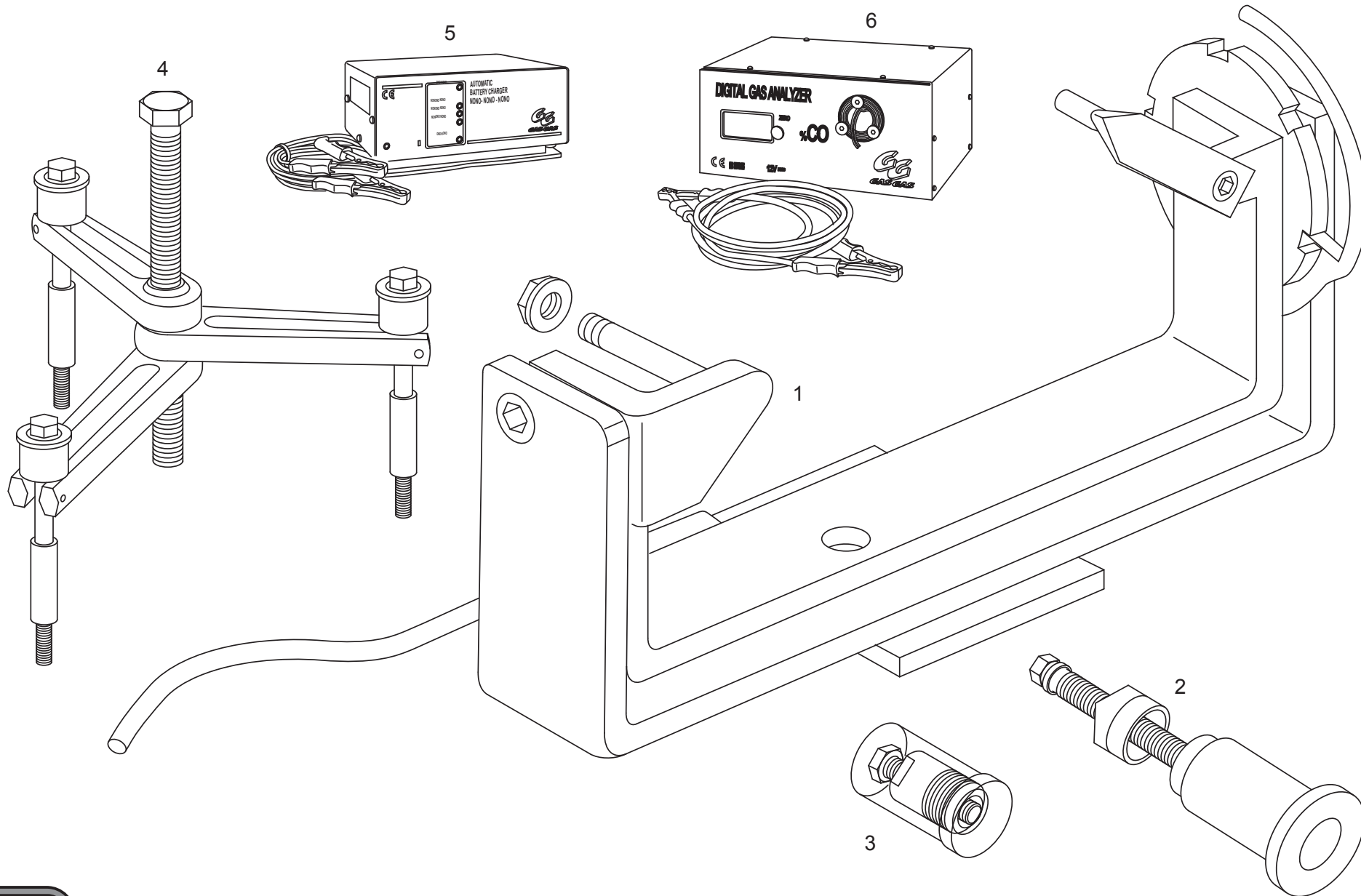
Nº	DESCRIPCIÓN / DESCRIPTION	FSE 2005	Cant.
43	ASIENTO VÁLVULA ESCAPE / EXHAUST VALVE BASE	MFS400116144	2
44	TORNILLO ALLEN CULATA M8X30 / M8X30 ALLEN HEAD BOLT	T0308030	2
45	ARANDELA 6,5X12X1,5 / 6,5X12X1,5 WASHER	T400612	2
46	TAPÓN DE CULATA / HEAD TOP	MFS400116003	2
47	CONJUNTO CULATA / HEAD SET	MFS450516000CT	1





Nº	DESCRIPCIÓN / DESCRIPTION	FSE 2005	Cant.
1	ARANDELA 17,5X25,8X0,5 BOMBA AGUA / 17,5X25,8X0,5 WATER PUMP WASHER	M03625000	1
2	JUEGO RETENES / SEAL SET	ME25610011	1
3	ARANDELA INOX. TURBINA BOMBA 6.25X21X1 / 6.25X21X1 WATER PUMP WASHER	MFS450410107	1
4	TURBINA BOMBA AGUA / WATER PUMP IMPELLER	MFS450410007	1
5	ALLEN 6X16 / 6X16 ALLEN BOLT	T0506016	1
6	JUNTA TAPA BOMBA AGUA / WATER PUMP COVER GASKET	MFS400144008	1
7	TAPA BOMBA AGUA / WATER PUMP COVER	MFS400110008	1
8	ALLEN 6X20 / 6X20 ALLEN BOLT	T0306020	3
9	ULS 6X10 / 6X10 ULS	T0506010	1
10	ARANDELA FIBRA 6X10X1,5 / 6X10X1,5 WASHER	T4006010	1







Nº	DESCRIPCIÓN / DESCRIPTION	FSE 2005	Cant.
1	BANCADA MONTAJE MOTOR / ENGINE ASSEMBLY HOLDER	BT27950050	1
2	EXTRACTOR COJINETE CIGÜEÑAL / BEARING EXTRACTOR	ME25950000	1
3	EXTRACTOR VOLANTE / FLYWHEEL EXTRACTOR	MFS400134045	1
4	EXTRACTOR CÁRTER / CRANKCASE EXTRACTOR	ME25950005	1
5	CARGADOR DE BATERÍA GAS02 / BATTERY CHARGER	MFS450380118	1
6	ANALIZADOR DE GASES C0 GAS01 / C0 GAS01 GAS SCANNER	MFS450380117	1



**DESPIECE  
PART LIST**  
**FSE / EC  
SM**

**400  
450**

**GAS GAS**

RECOMIENDA EL USO DE ACEITE:



Ref.: PU010538011

**Fecha de impresión: ABRIL 2005**

Los componentes aquí expuestos y referenciados se basan en los datos existentes en la fecha de impresión de este manual. GAS GAS Motos, S.A. se reserva el derecho de efectuar cambios y/o modificaciones sin previo aviso.

**DESPIECE  
PART LIST**

**FSE / EC  
SM**

**400  
450**

**2005**

**FRAGILE**

# CHASIS

Manillar / Handlebar **CASCAS** EC/SM FSE 2004



1

Eléctrico / Electric **CASCAS** FSE 2004



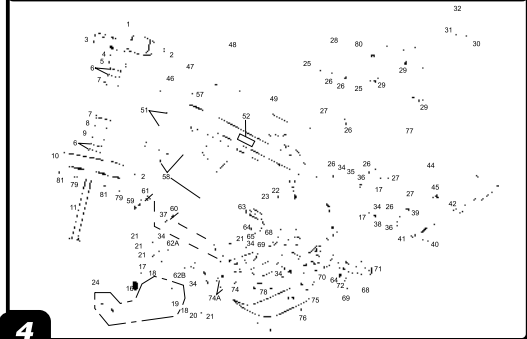
2

Plásticos / Plastics **CASCAS** FSE 2004



3

Chasis / Frame **CASCAS** FSE 2004



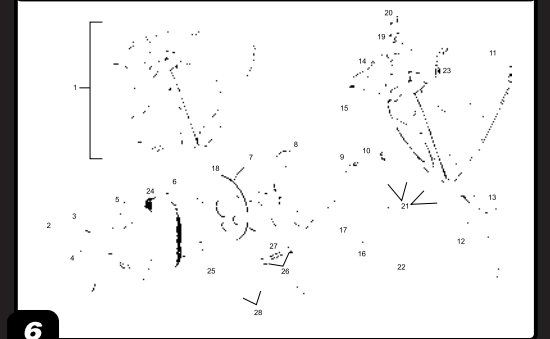
4

Grupo Manoposa / Throttle body **CASCAS** FSE 2004



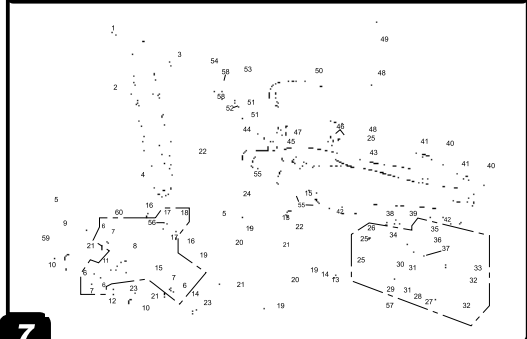
5

Filtro de aire / Air filter **CASCAS** FSE 2004



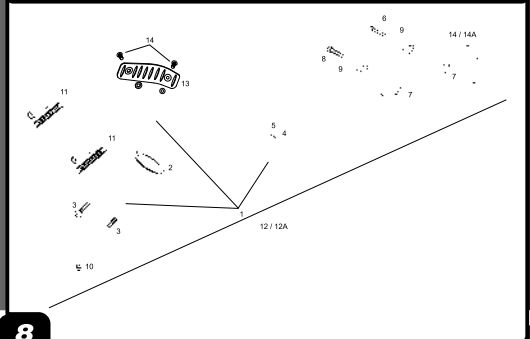
6

Basculante / Swingarm **CASCAS** FSE 2004



7

Tubo escape / Exhaust **CASCAS** FSE 2004

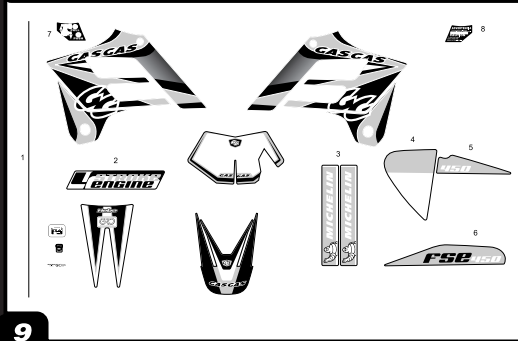


8

# DESPIECE

# FRAME

Adhesivos / Decals **CASCAS** FSE 2005



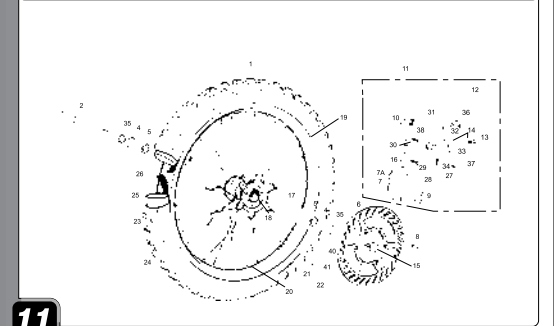
9

Depósito / Fuel tank **CASCAS** FSE 2005



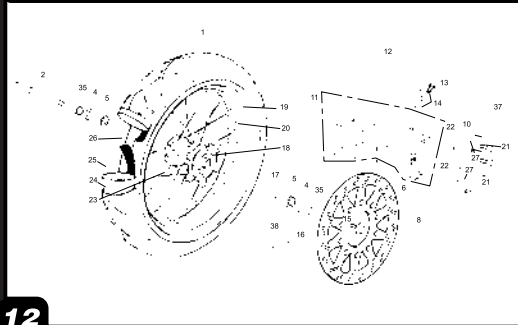
10

Rueda delantera / Front wheel **CASCAS** FSE 2005



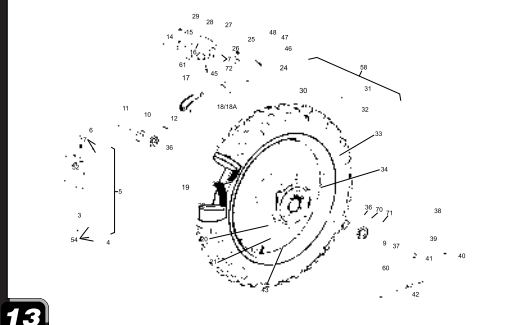
11

Rueda delantera / Front wheel **CASCAS** SM 2005



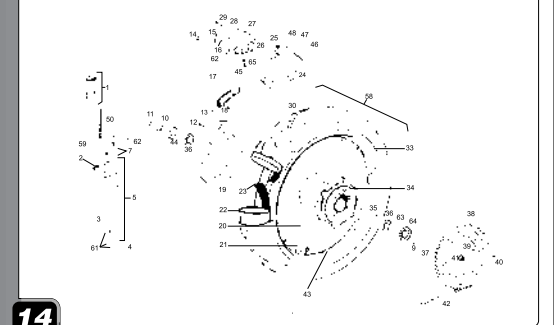
12

Rueda trasera / Rear wheel **CASCAS**



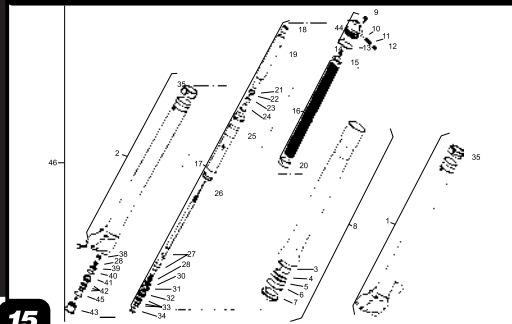
13

Rueda trasera / Rear wheel **CASCAS** SM 2005



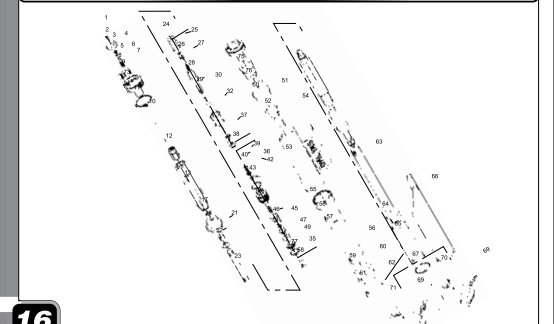
14

Horquilla MARZOCCHI / MARZOCCHI Fork **CASCAS** FSE 2005



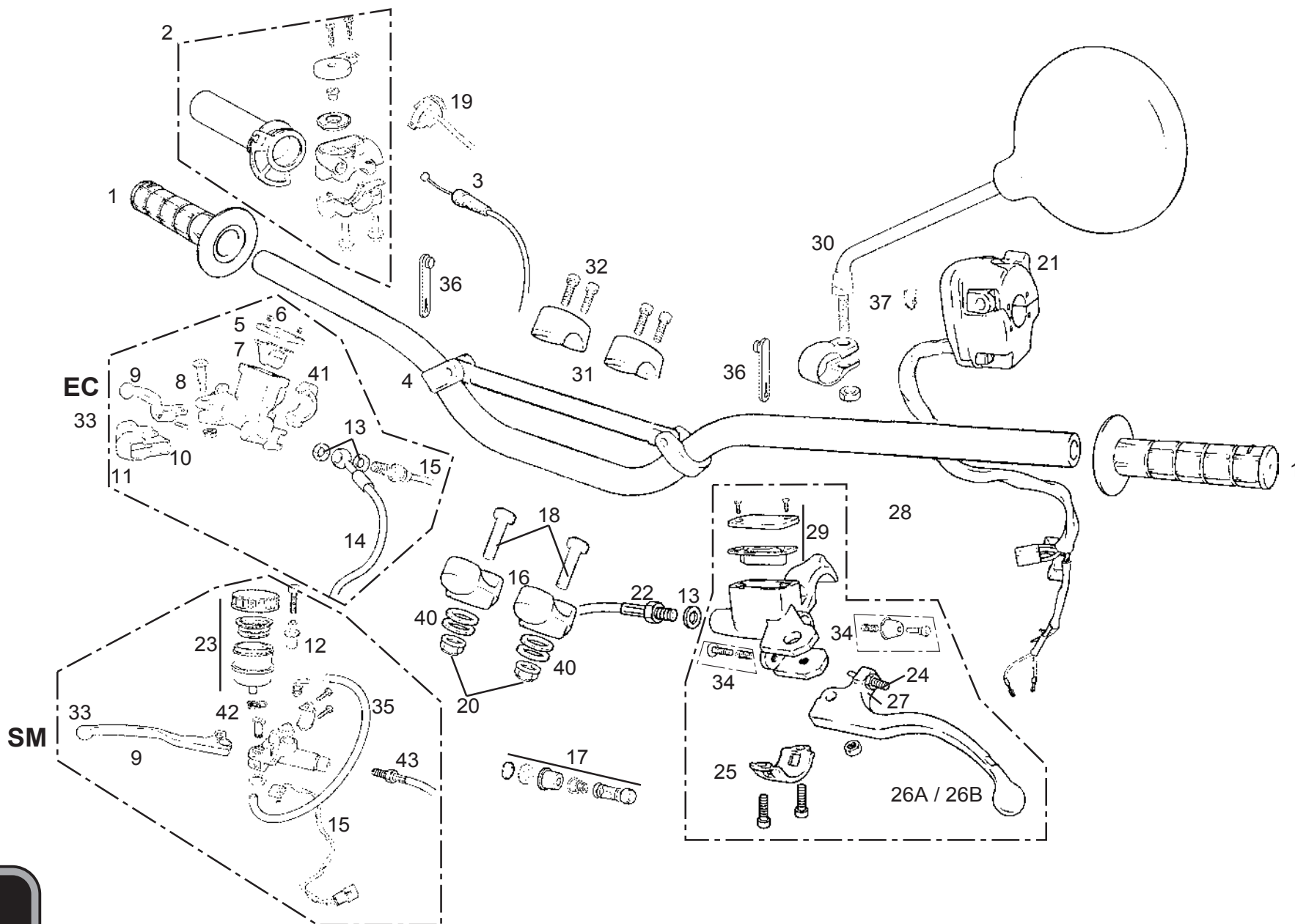
15

Suspensión ÖHLINS / ÖHLINS fork **CASCAS** FSE 2005

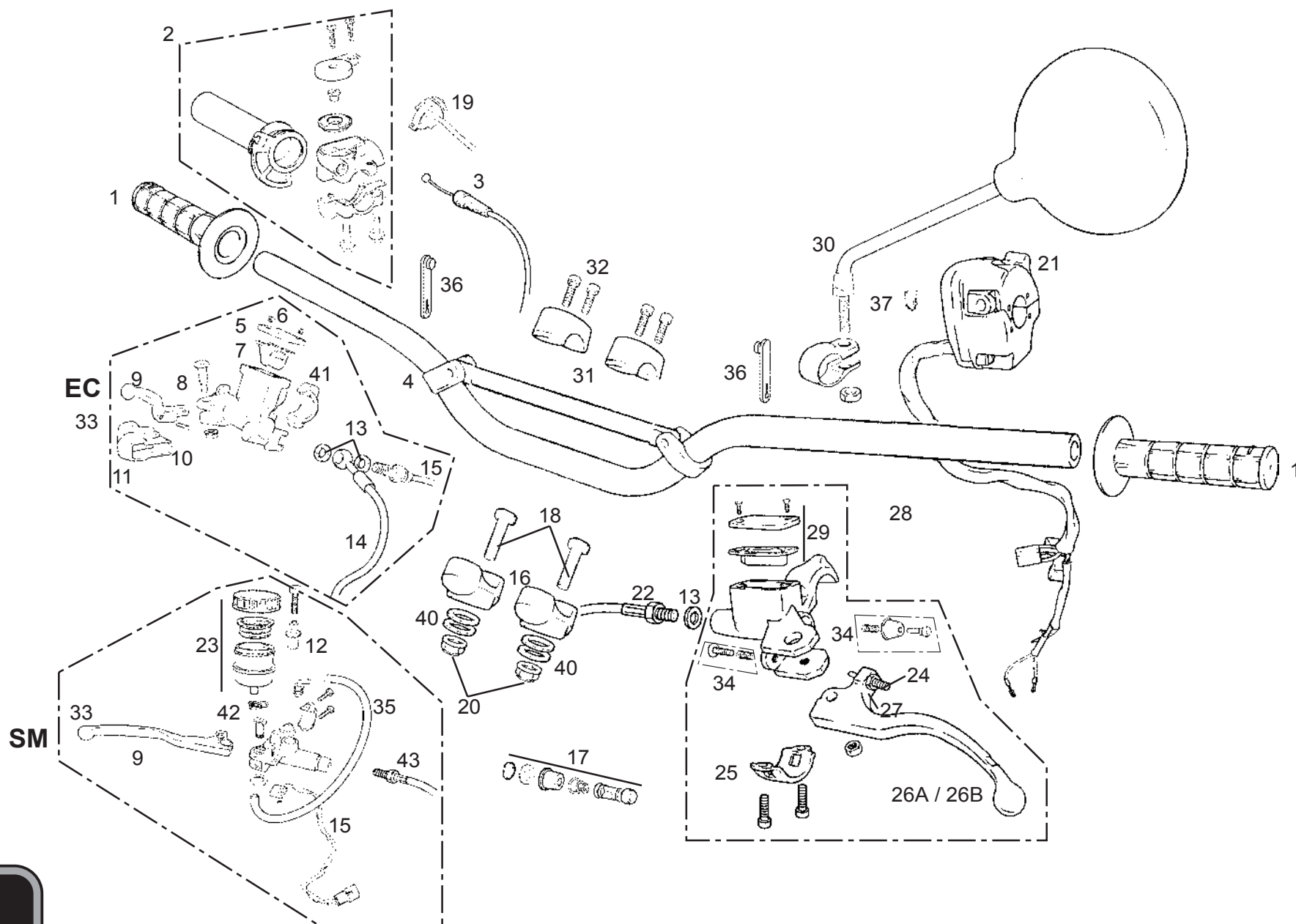


16

# PART LIST



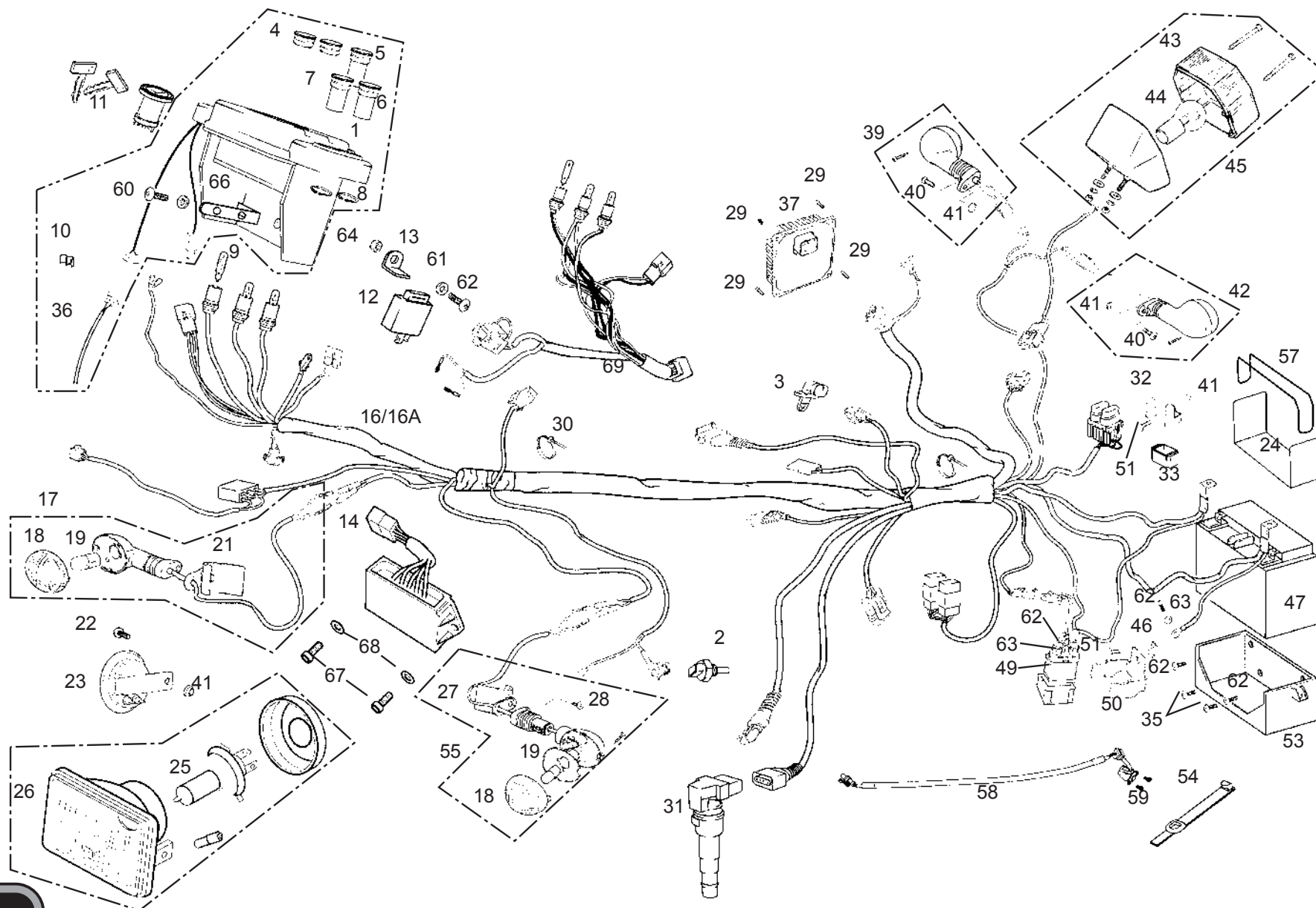
Nº	DESCRIPCIÓN / DESCRIPTION	EC FSE 2005	SM FSE 2005	Cant.
1	JUEGO DE EMPUÑADURAS / HANDLEBAR GRIP (PAIR)	BE250236002		1
2	PUÑO DE GAS / TWIST GRIP	BE25724007		1
3	CABLE DE GAS / THROTTLE CABLE	BFS450524008		1
4	MANILLAR COMPLETO / STEERING HANDLEBAR SET	BE250224001		1
5	TAPA BOMBA FRENO / BRAKE PUMP COVER	BC25922210		1
6	TORNILLO TAPA BOMBA / BRAKE PUMP SCREW	BC25922217		2
7	GOMA ANTIESPUMANTE / NO-FOAM RUBBER	BC25922216		1
8	TORNILLO ESPECIAL / SPECIAL SCREW	BC25922212		1
9	MANETA FRENO DELANTERO / FRONT BRAKE LEVER	BC250022045	BE250122045SM	1
10	TENSOR MANETA BOMBA / PUMP LEVER TENSOR	BC25922218		1
11	GUARDAPOLVO / DUST COVER	BC25922213		1
12	CASQUILLO SILENTBLOCK SILENCIADOR / EXHAUST SILENTBLOCK BUSHING	-	BE250026000	1
13	ARANDELA LATIGUILLO 10X14X1 / 10X14X1 HOSE WASHER	BE25622007		3
14	LATIGUILLO FRENO DELANTERO / FRONT BRAKE HOSE	BE250422002	BE250222002SM	1
15	INTERRUPTOR 23.024/1 STOP BOMBA NISSIN / NISSIN PUMP STOP 23.024/1 SWITCH	BE250034003/2	BE250134003SM	1
16	BRIDA SUJECIÓN MANILLAR INFERIOR / HANDLEBAR CLAMP (LOWER)	BE25814013		2
17	KIT PISTÓN BOMBA FRENO "A" / "A" BRAKE PUMP PISTON KIT	BC25922219		1
18	HEXAGONAL 10X40 / 10X40 HEXAGONAL BOLT	T0110043		2
19	CONMUTADOR ARRANQUE / STARTING COMMMAND	BFS450434027		1
20	TUERCA AUTOBLOCANTE BAJA M10 CON ARANDELA / M10 SELF-LOCKING NUT	M01613001		2
21	CONMUTADOR LUZ HALÓGENA / LIGHT SWITCH HALOGEN	BFS450534001		1
22	LATIGUILLO EMBRAGUE / CLUTCH HOSE	BFS450522003		1
23	DEPÓSITO LÍQUIDO FRENOS SM / SM BRAKE FLUID TANK	-	BE250110016SM	1
24	TORNILLO REGULACIÓN MANETA / ADJUSTING LEVER SCREW	BT27922046		1
25	SOPORTE BOMBA EMBRAGUE / CLUTCH PUMP CLAMP	BE250022211		1
26a	MANETA EMBRAGUE CORTA / SHORT CLUTCH LEVER	BT27922040		1
26b	MANETA EMBRAGUE LARGA (SERIE) / LONG CLUTCH LEVER (STANDARD)	E200701		1
27	TUERCA M6 BAJA / M6 LOW NUT	T2006001		1
28	BOMBA EMBRAGUE HIDRÁULICO / HYDRAULIC CLUTCH PUMP	BE250022009		1
29	KIT TAPA BOMBA FRENO Y EMBRAGUE / CLUTCH AND BRAKE PUMP COVER KIT	BT27722210		1
30	ESPEJO RETROVISOR / REAR-VIEW MIRROR	L300760		1
31	BRIDA SUJECIÓN MANILLAR SUPERIOR / HANDLEBAR CLAMP (UPPER)	BE25814012		2
32	TORNILLO SUJECIÓN BRIDA MANILLAR 8X30 / 8X30 CLAMP SCREW	T0308030		4
33	BOMBA FRENO DELANTERO / FRONT BRAKE PUMP	BC25922008		1
34	KIT REPARACIÓN / REPARATION KIT	R346000	BE250122008SM	1
35	TUBO LÍQUIDO FRENO A BOMBA / BRAKE TO PUMP LIQUID HOSE	-	BFS400310116SM	1
36	GOMA SUJECIÓN CABLEADO / CABLE-HOLDING BAND	BFS450320067		2
37	BRIDA PEQUEÑA / LITTLE CLAMP	BE25634010		1
40	ARANDELA 3.5X30X10 / 3.5X30X10 WASHER	BE250314035		4



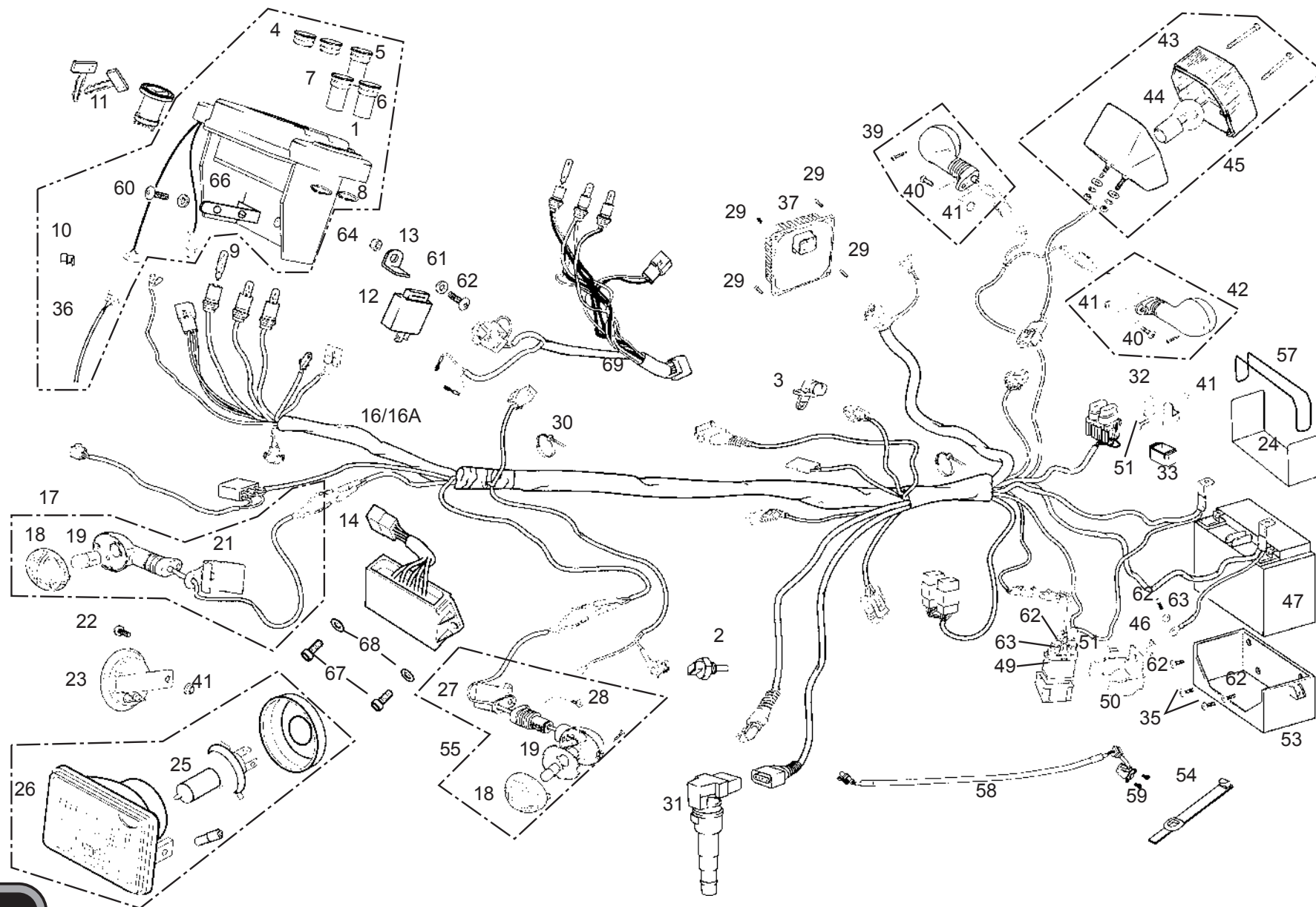


Nº	DESCRIPCIÓN / DESCRIPTION	EC FSE 2005	SM FSE 2005	Cant.
41	BRIDA / CLAMP	BC25922211	R361700	1
42	ABRAZADERA MUELLE / SPRING CLAMP	BE25610044		2
43	LATIGUILLO FRENO DELANTERO / FRONT BRAKE HOSE	-	BFS450322002SM	1

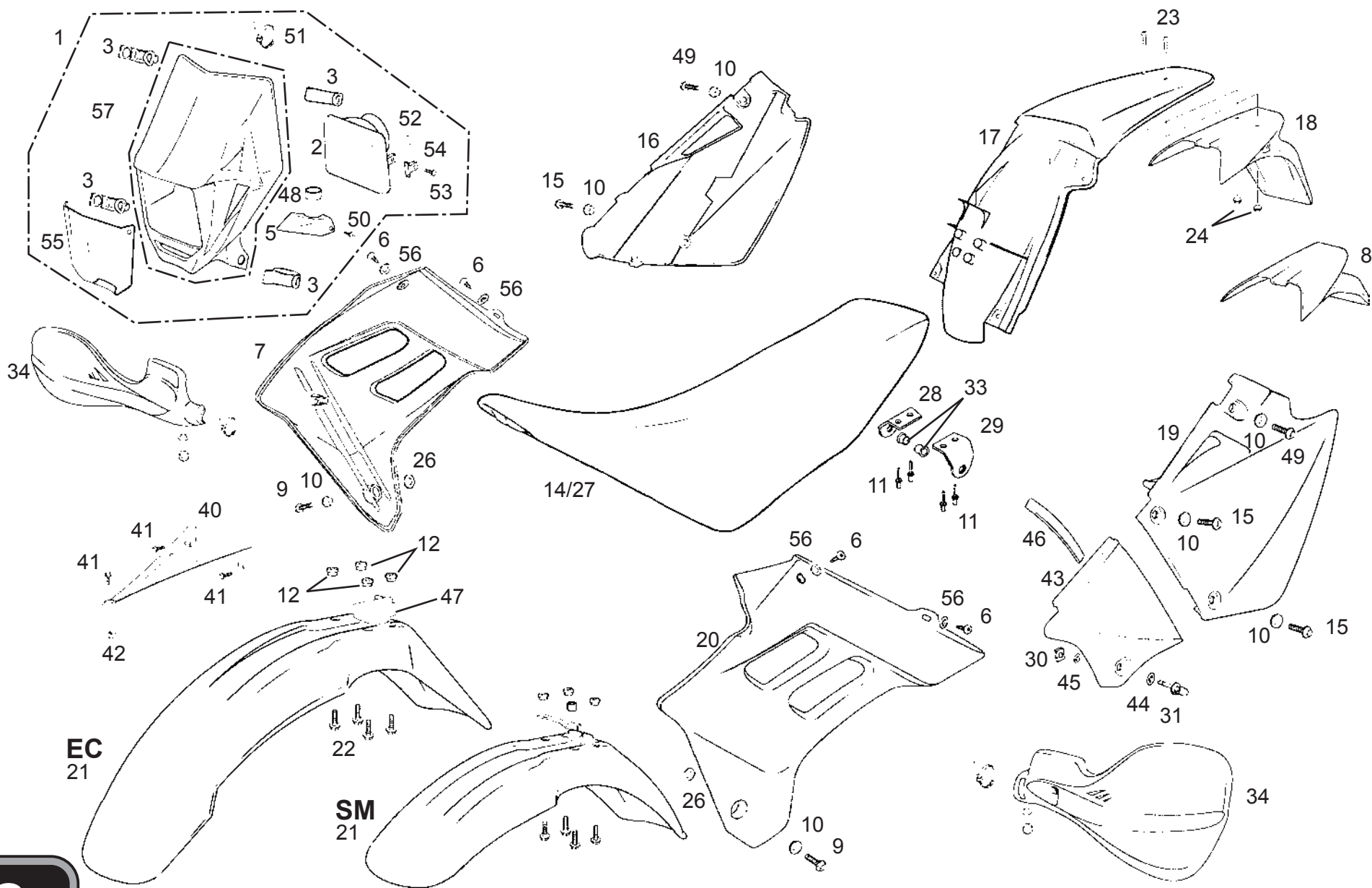




Nº	DESCRIPCIÓN / DESCRIPTION	EC FSE 2005	SM FSE 2005	Cant.
1	CTO. MULTIFUNCIÓN ENDURO 2003 FSE / 2003 ENDURO MULTIFUNCTION	BFS450434045		1
2	SENSOR AGUA / WATER SENSOR	MFS400180004		1
3	SENSOR AIRE / AIR SENSOR	MFS400180003		1
4	TAPÓN TESTIGO NEGRO / BLACK LIGHT CAP	BE250134043		2
5	TESTIGO LUZ INTERMITENTE / INDICATOR LIGHT	BE250134036		1
6	TESTIGO LUZ POSICIÓN / SHORT LIGHT INTICATOR	BE250134037		1
7	TESTIGO LUZ LARGA / LONG LIGHT INDICATOR	BE250134038		1
8	CLIP TESTIGO / LIGHT CLIP	BE250134042		5
9	BOMBILLA 12V1,2-9W / BULB 12V1.2-9W	L300123		4
10	PASACABLES CTA. KM. ENDURO 2003 / CABLE PASS SPEED COUTER	BE250334053		2
11	CERRADURA CONTACTO CIERRE / CONTACT LOCK WITH CATCH	BFS450334032		1
12	CAJA INTERMITENCIAS / INTERMITENT BOX	BFS450434055	BFS450334055	1
13	SOPORTE CAJA INTERMITENCIAS / INTERMITENT BOX SUPPORT	BFS450334057	BFS450334057	1
14	REGULADOR / REGULATOR	MFS450434009		1
16	INSTALACIÓN ELÉCTRICA FSE / ELECTRICAL INSTALLATION	MFS450580104	MFS450580104	1
16A	INSTALACIÓN ELÉCTRICA RACING FSE / ELECTRICAL INSTALLATION RACING		MFS450580104R	1
17	INTERMITENTE DERECHO DELANTERO / RIGHT FRONT INDICATOR	BE250134018		1
18	TAPA INTERMITENTE / INDICATOR COVER	BE250134120		4
19	BOMBILLA / LAMP	L200118		4
21	SOP. INTERMITENTE DELANTERO DERECHO / RIGHT FRONT INDICATOR HOLDER	BE250134017		1
22	TORNILLO 6X14 ARAND. INC./ 6X14 SCREW WITH WASHER	T0556014		1
23	CLAXON / HORN	BIE500134020		1
24	ESPUMA FIJACIÓN CAJA BATERIA FSE400-4T / BATTERY FOAM	BFS400134090		1
25	BOMBILLA 12V45- 45W / 12V45 – 45W BULB	L300125		1
26	ÓPTICA HALÓGENA/ OPTIC HALOGEN	BE250520024		1
27	SOP. INTERMITENTE DELANTERO IZQUIERDO / LEFT FRONT INDICATOR HOLDER	BE250134020		1
28	TORNILLO CHAPA 6,3X16 / SPECIAL SCREW	T0706316		2
29	TORNILLO ROSCA PLÁSTICO (RF77R) 4,5X14 /PLASTIC SCREW 4,5X14	BE250420063		4
30	BRIDA UNEX 4,8X36 / UNEX CLAMP 4.8X36	BE25634007		2
31	BOBINA ELDOR / ELDOR COIL	BFS450334000	MFS400380006	1
32	SOPORTE FUSIBLES ENDURO 4T 2004 / FUSE SUPPORT	BFS450480119	BFS450580119	1
35	ULS 6X14 / 6X14 ULS BOLT	T0556014		2
36	CABLE MULTIFUNCIÓN TT 2003 / MULTIFUNCTION CABLE	BE250334050		1
37	CENTRALITA / SWITCHBOARD	MFS450380001		1
39	INTERMITENTE DERECHO TRASERO / RIGHT REAR INDICATOR	BE250134021		1
40	ULS 6X16 NEGRO / 6X16 BLACK ULS	T0506016N		2
41	TUERCA CON ARANDELA M6 / M6 NUT WITH WASHER	T2206002		4
42	INTERMITENTE IZQUIERDO TRASERO / LEFT REAR INDICATOR	BE250134022		1
43	CRISTAL FARO TRASERO / REAR LIGHT CAP	BP25734015		1

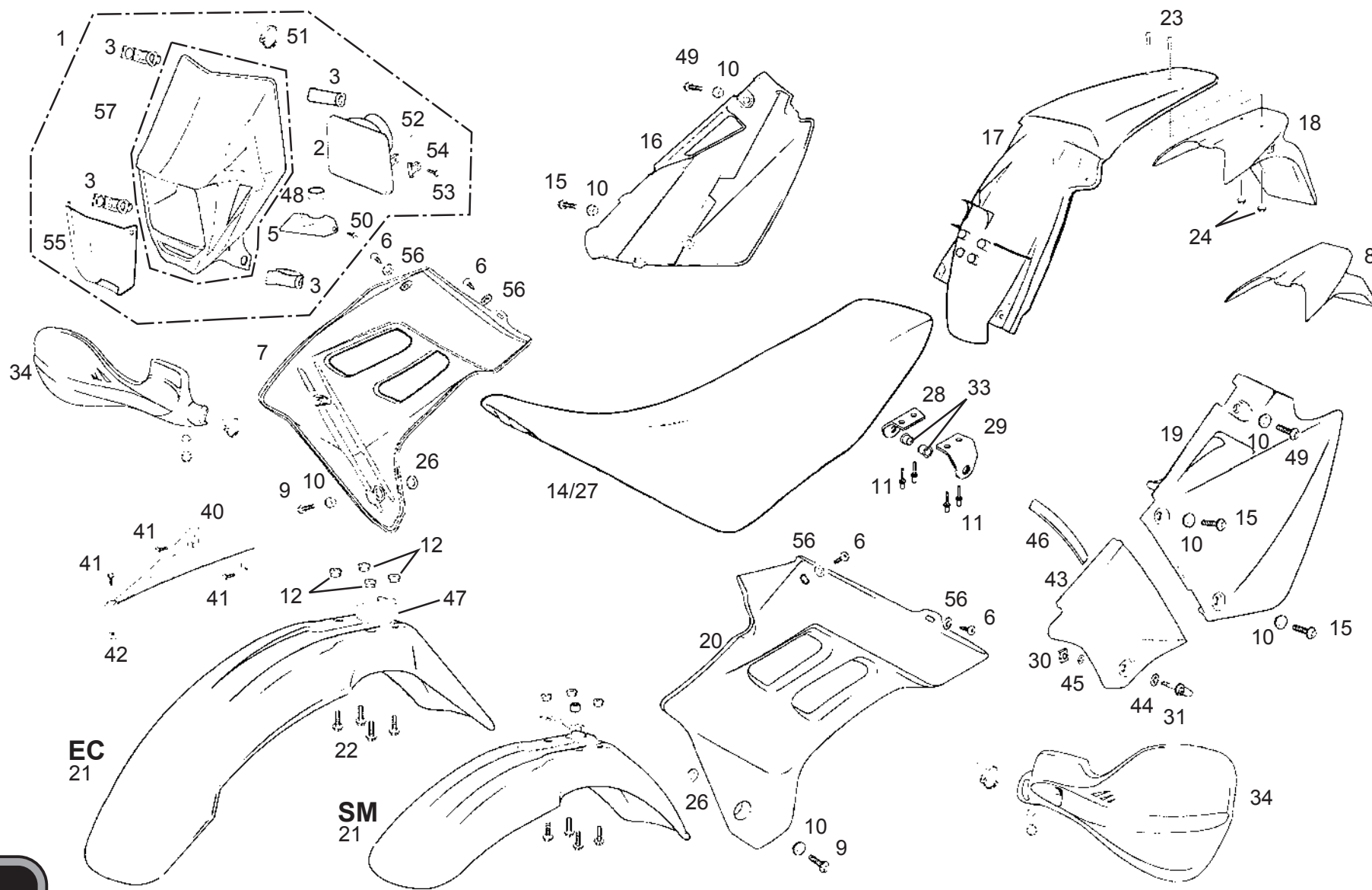


Nº	DESCRIPCIÓN / DESCRIPTION	EC FSE 2005	SM FSE 2005	Cant.
44	BOMBILLA 12V5-21W / 12V5-21W BULB	L300116		1
45	PILOTO TRASERO EC2002 / EC2002 REAR LIGHT	BE250234015		1
46	TUERCA RÁPIDA M6 / M6 FAST NUT	T2606000		1
47	BATERÍA EC400-4T / EC400 4T BATTERY	BFS400134080/3		1
49	RELÉ ARRANQUE / STARTING RELAY	BFS400134075/2		1
50	SOPORTE RELÉ ARRANQUE / STARTING RELAY SUPPORT	BFS400334076		1
51	TORNILLO ULS 6x16 C/ARAND / 6X16 ULS SCREW WITH WASHER	T0556016	BFS450434076	2
52	TORNILLO 6X12 ARAND. INC. / 6X14 SCREW WITH WASHER	T0556012		2
53	CAJA BATERÍA EC400-4T / BATTERY BOX	BFS400134083		1
54	GOMA SUJECCIÓN CDI / CDI ELASTIC BAND	BE250034100		1
55	INTERMITENTE IZQUIERDO DELANTERO / LEFT FRONT INDICATOR	BE250134019		1
57	TÓRICA TAPA F.114X4 / F114X4 COVER O'RING	P270100		1
58	SENSOR GIRO / TURN SENSOR	MFS450580005		1
59	ALLEN 5x9 / 5x9 ALLEN BOLT	T0505009		2
60	ULS 6X16 / 6X16 ULS BOLT	T0506016		1
61	ARANDELA 6X18X1,5 / 6X18X1,5 WASHER	T4006018		2
62	TORNILLO ULS 6X10 / 6X10 ULS BOLT	T0506010		6
64	TUERCA M6 AUTOBLOCANTE BAJA / LOWER M6 SELF-LOCKING NUT	T2106001		2
66	SOPORTE CONECTOR CABLEADO LUMINARIA / LIGHTS CONNECTIONS SUPPORT			1
67	ALLEN 6X16 / 6X16 ALLEN BOLT	T0306016		2
68	ARANDELA PLANA 6X12X1,5 / PLAIN WASHER 6X12X1.5	T4006012		2
69	INSTALACIÓN ELÉCTRICA FRONTAL / ELECTRICAL INSTALATION FRONT			1

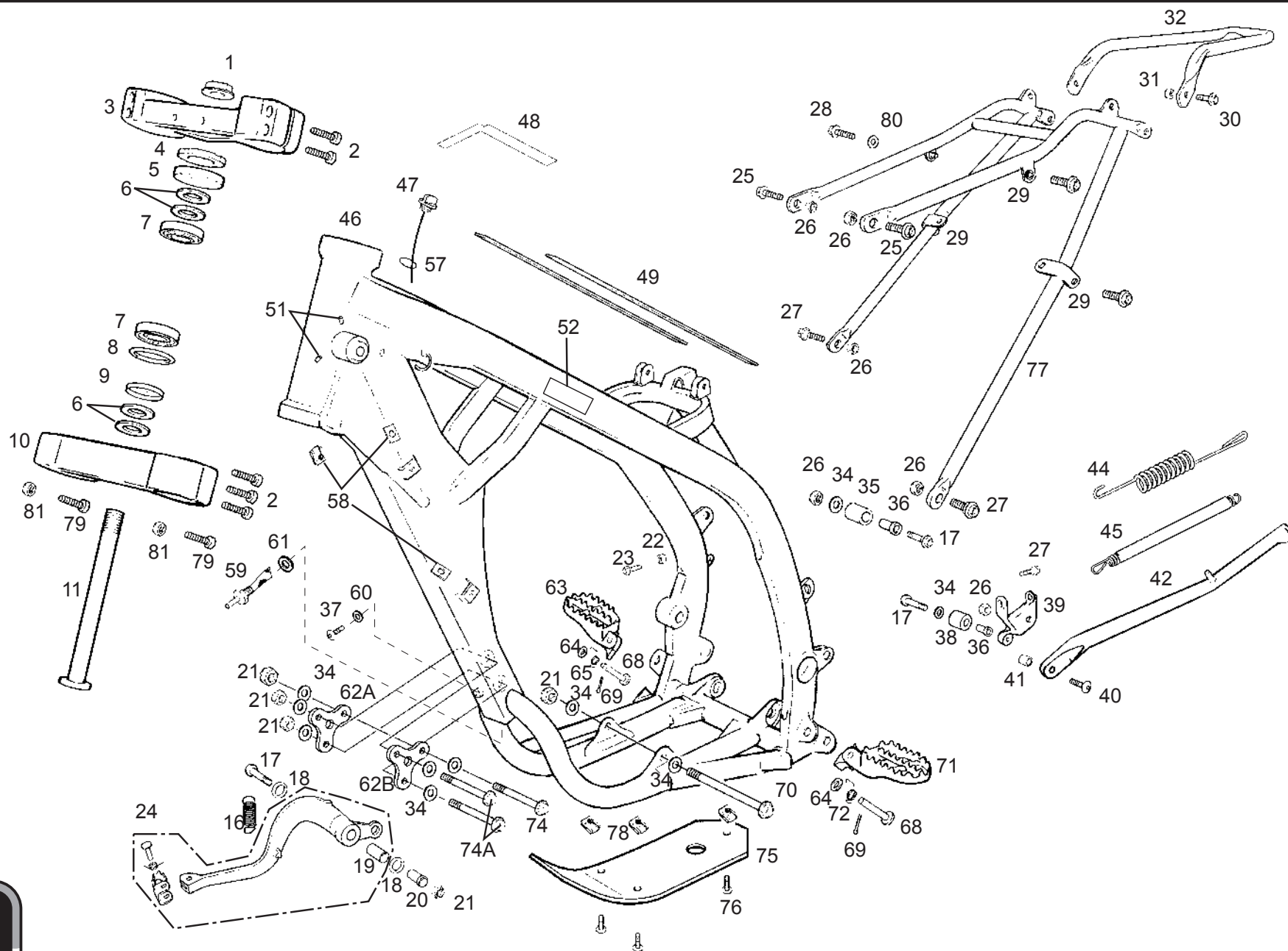


Nº	DESCRIPCIÓN / DESCRIPTION	EC FSE 2005	SM FSE 2005	Cant.
1	CTO. FARO DELANTERO / FRONT HEADLAMP	BE250520020CT	BE250420020SM	1
2	ÓPTICA HALÓGENA / HALOGEN LAMP	BE250520024		1
3	GOMA SUJECIÓN FARO / HEADLAMP ELASTIC BAND	BE25636015		4
4	FARO DELANTERO / FRONT HEADLAMP	BE250420020	BE250420020SM	1
5	TAPETA GUÍA FARO / HEADLAMP GUIDE COVER	BE250520023	BE250120023SM	1
6	TORN. ROSC.PLAST.C.ALOM+ARAND.4.5X14 AAZ ZINCADO NEGRO / PLASTIC SCREW BOLT + 4.5X14 AAZBLACK COVERED	BE250420063/2		4 1
7	TAPA LATERAL RADIADOR DERECHO / RIGHT SIDE RADIATOR COVER	BE250520012	BFS450420012SM	
8	PORTAMATRÍCULA COMPETICIÓN / RACING LICENSE PLATE HOLDER	BE250121003		1
9	TORNILLO ESPECIAL 6X16 ZINCADO / ZINC-TREATED SPECIAL SCREW 6X16	T0206016		4
10	CASQUILLO TAPA RADIADOR ALUMINIO / ALUM. RADIATOR COVER BUSH	BE250032060		9
11	REMACHE 14X4 / 14X4 RIVET	BE25610017		4
12	CASQUILLO GUARDABARROS CON VOLONA / FRONT FENDER BUSHING	BE250014118		4
14	SILLIN / SEAT	BE250510015/2		1
15	TORNILLO ESPECIAL 6X20 / 6X20 SPECIAL SCREW	T0206020		3
16	PORTA NÚMERO LATERAL DERECHO / RIGHT SIDE COVER	BFS450520004	BFS450420004SM	1
17	GUARDABARROS TRASERO / REAR FENDER	BE250520007	BFS450420007SM	1
18	PORTAMATRÍCULA TRASERO EC2004 / REAR LICENSE PLATE HOLDER	BE250420003		1
19	PORTANÚMERO LATERAL IZQUIERDO / LEFT SIDE COVER	BFS450520005	BFS450420005SM	1
20	TAPA LATERAL RADIADOR IZQUIERDO / LEFT SIDE RADIATOR COVER	BE250520013	BFS450420013SM	1
21	GUARDABARROS DELANTERO FSE 450 2005 / FSE 450 2005 FRONT RED FENDER	BFS450520006RO	BE250420006SM	1
22	TORNILLO ESPECIAL M6X25 / M6X25 SPECIAL SCREW	T0606025		4
23	TORNILLO PHILIPS M6X25 / M6X25 PHILIPS SCREW	T0706025		2
24	TUERCA AUTOBLOCANTE ALTA M6 / M6 SELF-LOCKING NUT	T2106002		2
26	ARANDELA NYLON 6,5X16X1 / 6.5X16X1 NYLON WASHER	T06065017		4
27	FUNDA SILLÍN / SEAT COVER	BE250510055		1
28	SOPORTE SILLÍN DERECHO ALUMINIO / RIGHT ALUM. SEAT HOLDER	BE250010019		1
29	SOPORTE SILLÍN IZQUIERDO ALUMINIO / LEFT ALUMINUM SEAT HOLDER	BE250010020		1
30	CIERRE RÁPIDO / FAST LOCKING	BE250128026		1
31	TORNILLO CIERRE RÁPIDO / FAST-LOCKING SCREW	BE250128027		1
33	TUERCA HEXAGONAL REMACHABLE M6 / REVITABLE M6 NUT	T2706000		2
34	JUEGO PARAMANOS HP20 / HANDS-PROTECTOR SETMUELLE TORNILLO	BE250520020		1
36	SOPORTE FARO GRANADA / GRANADA BASE LAMP	BX250020027		1
37	GRAPA REGULADOR FARO GRANADA / LAMP REGULATION NUT	BX250020029		1
38	ALLEN REGULADOR ÓPTICA / LAMP REGULATION ALLEN BOLT	T0304035		1
39	TUERCA TORNILLO REGULADOR ÓPTICA / SCREW LAMP REGULATION WASHER	T2004000		1
40	TIRANTE GUARDABARROS DELANTERO / FRONT FENDER BRACE	BE250220039		1
41	TORNILLO ULS 6X20 / 6X20 SCREWv	T0506020		3

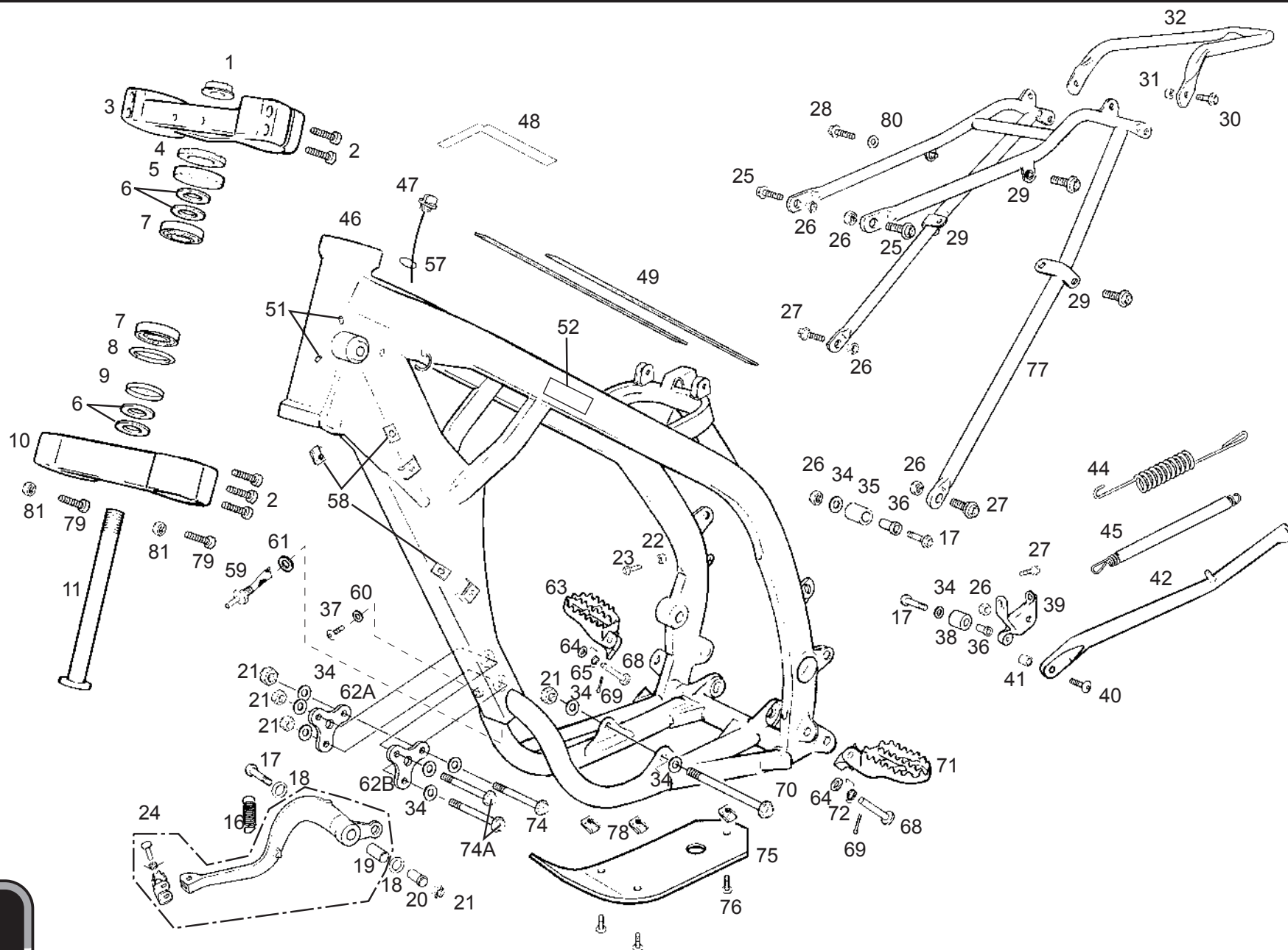




Nº	DESCRIPCIÓN / DESCRIPTION	FSE 2005	Cant.
42	TUERCA M6 CON ARANDELA ESTRIADA / M6 NUT WITH WASHER	T2206000	1
43	TAPA LATERAL CAJA FILTRO / AIR FILTER SIDE COVER	BE250128025	1
44	ARANDELA 5X12X1,5 / 5X12X1,5 WASHER	T4005012	3
45	ARANDELA NYLON 4X14X1 / 4X14X1 NYLON WASHER	T6004141	1
46	JUNTA ESPUMA TAPA CAJA FILTRO / AIR FILTER COVER GASKET	BE250228031	1
47	GUÍA CABLE / CABLE GUIDE	BE250520016	1
48	ANILLA NEGRA / BLACK O'RING	BE25920053	2
49	TORNILLO ESPECIAL 6X25 / 6X25 SPECIAL SCREW	T0206025	1
50	TORNILLO ROSCA-CHAPA 3X9 / 3X9 SCREW	T1003009	1
51	BRIDA NYLON 3,6X140 LATIG. EMBRAGUE / NYLON CLAMP 3,6X140	BE250022031	4
52	TORNILLO ESPECIAL ROSCA PLÁSTICO / PLASTIC SPECIAL SCREW	BT280228035	2
53	TORNILLO HEXAGONAL 6X16 / 6X16 HEXAGONAL BOLT	T0206016/2	2
54	SOPORTE ÓPTICA / BASE LAMP	BE250520028	1
55	PROTECTOR ÓPTICA HALÓGENA ENDURO 2005 / HALOGEN LAMP PROTECTOR	BE250520071	4
56	ARANDELA PLACAS RADIADOR EC 2005 / EC 2005 RADIATOR PLATE WASHER	BE250511002	1
57	FARO DELANTERO SIN ÓPTICA / FRONT HEADLAMP WITH LAMP	BE250520020	1



Nº	DESCRIPCIÓN / DESCRIPTION	FSE 2005	Cant.
1	TUERCA DIRECCIÓN / STEERING SHAFT NUT	BE25610030	1
2	ALLEN 7X30 / 7X30 ALLEN BOLT	T0307030	10
3	BRIDA SUPERIOR SUSPENSIÓN CROSS / CROSS FORK CLAMP (UPPER)	BC250414001	1
4	TUERCA DIRECCIÓN INFERIOR / LOWER STEERING SHAFT NUT	BE25610029	1
5	GUARDAPOLVO COJINETE DIRECCIÓN / BEARING DUST COVER	BE25610126	1
6	ARANDELA DIRECCIÓN / STEERING WASHER	BE25610028	4
7	COJINETE DIRECCIÓN / STEERING BEARING	BE25610008	2
8	TÓRICA DIRECCIÓN 50X5 / 50X5 STEERING O'RING	BE25610012	1
9	CAZOLETA DIRECCIÓN / STEERING CAP	BE25610026	1
10	BRIDA INFERIOR SUSPENSIÓN CROSS / CROSS FORK CLAMP (LOWER)	BC250214002	1
11	TIJA DIRECCIÓN / STEERING SHAFT	BE25614003	1
12	CONJ. PEDAL FRENO / BRAKE PEDAL SET	BE250522016CT	1
16	MUELLE PEDAL FRENO / BRAKE PEDAL SPRING	BE25610023	1
17	TORNILLO ESPECIAL 8X45 / 8X45 SPECIAL SCREW	T0208045	3
18	TÓRICA PEDAL / PEDAL O'RING	ME250036063	2
19	GLACIER PEDAL FRENO / BRAKE PEDAL BEARING	BE250010009	1
20	CASQUILLO SOPORTE PEDAL FRENO / BRAKE PEDAL SUP. BUSHING	BE250210916	1
21	TUERCA AUTOBLOCANTE CON ARANDELA M8 / M8 SELF-LOCKING NUT	T2208002	5
22	TUERCA HEXAGONAL M6 BAJA / M6 LOW HEXAGONAL BOLT	T2106001	2
24	CTO. PEDAL FRENO / BRAKE PEDAL SET	BE250522016CT	1
25	TORNILLO ESPECIAL 8X25 / 8X25 SPECIAL SCREW	T02080255	2
26	TUERCA AUTOBLOCANTE M8 BAJA / LOW M8 SELF-LOCKING NUT	T2108001	6
27	TORNILLO ESPECIAL 8X20 / 8X20 SPECIAL SCREW	T0208020	3
28	ULS 6X25 / 6X25 ULS	T0556025	1
29	TUERCA REMACHABLE / RIVETABLE NUT	T2706000	2
30	ALLEN 8X25 / 8X25 ALLEN SCREW	T0308025	2
31	TUERCA AUTOBLOCANTE M8 CON ARANDELA / SELF-LOCKING M8 NUT	T2208002	2
32	COLÍN SOPORTE GUARDABARROS TRASERO ALUM. / REAR FENDER ALUMINIUM SUPPORT	BFS450310018	1
34	ARANDELA 8X20X1,5 / 8X20X1,5 WASHER	T4008020	17
35	RODILLO GUÍA CADENA SUPERIOR / UPPER CHAIN ROLL	BE25610014	1
36	CASQUILLO RODILLO 6,25X12X25 / 6,25X12X25 BUSHING	BE25612016	2
37	TORNILLO ESPECIAL 6X14 / 6X14 SPECIAL SCREW	T0206014	1
38	RODILLO GUÍA CADENA 13,5X32X23,5 / 13,5X32X23,5 LOWER CHAIN ROLL	BE25610032	1
39	SOPORTE CABALLETE / SIDE STAND HOLDER	BE250212023	1
40	ULS 8X30 / 8X30 ULS BOLT	T0508030	1
41	CASQUILLO CABALLETE / SIDE STAND BUSHING	BE250112011	1
42	CABALLETE / SIDE STAND BRACKET	BE250512010	1
		BFS400212010SM	
44	MUELLE EXTERIOR CABALLETE / SUPPORT OUTER SPRING	BE250510039	1

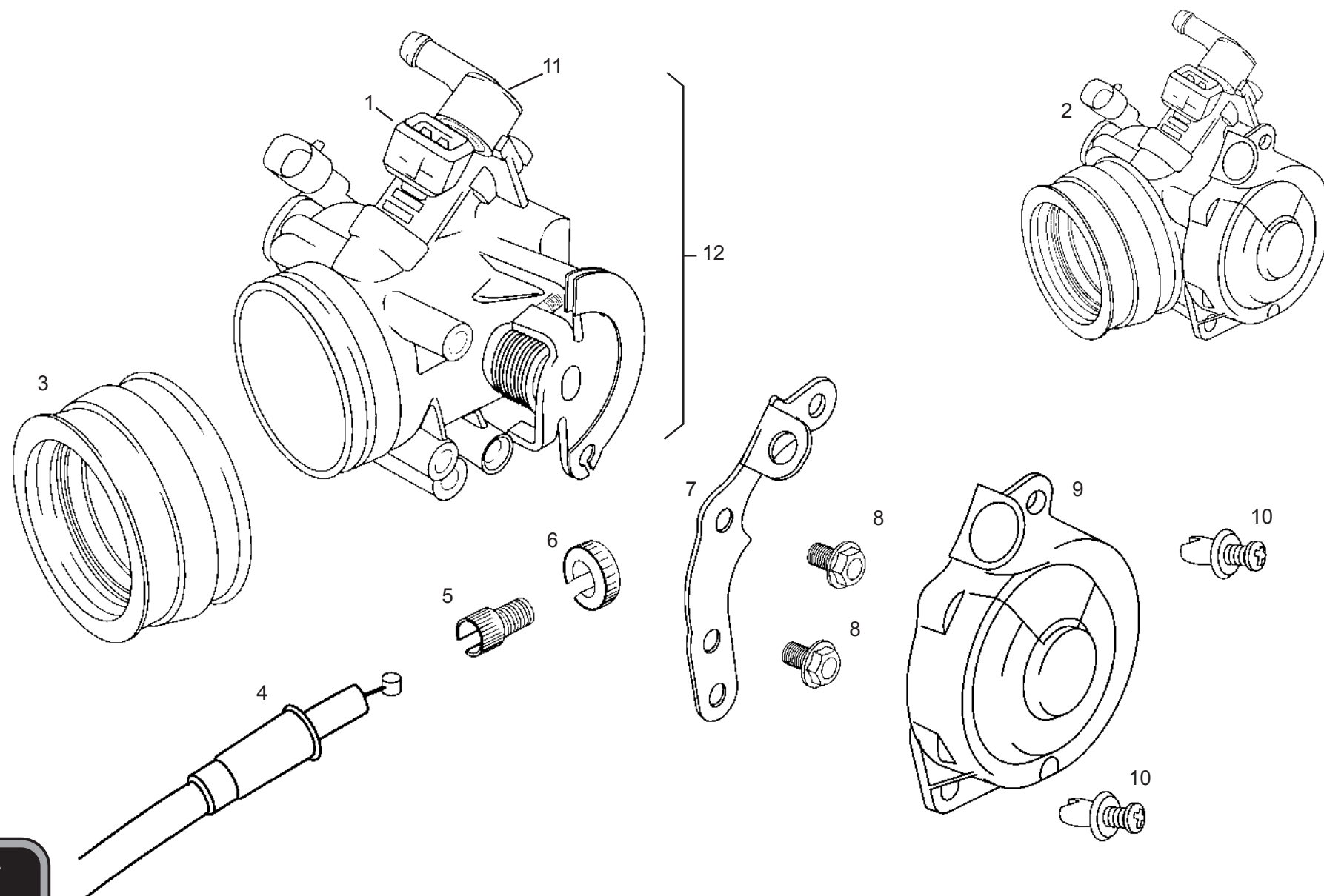


Nº	DESCRIPCIÓN / DESCRIPTION	EC FSE 2005	Cant.
45	MUELLE CABALLETE / SIDE STAND BRACKET SPRING	BE250410039	1
46	CHASIS ENDURO 450-2005 4T / 450-2005 4T FRAME	BFS450510000/2	1
47	TAPÓN DEPÓSITO ACEITE / OIL TANK CAP	BFS450510079	1
48	TIRA ADHESIVA ESPUMA 17 CM. / 17CM. FOAM STICKER	BFS400138019	1
49	TIRA ADHESIVA ESPUMA 26 CM. / 26CM. FOAM STICKER	BE25638018	2
51	ANTI-ROBO / STEERING LOCK	BE250010075	1
52	AD. TRANSPARENTE Nº BASTIDOR / FRAME NUMBER CLEAR STICKER	PU000138015	1
57	TÓRICA / O'RING	BFS400110082	1
58	TUERCA NUT M6 / M6 NUT	T2606000	4
59	RACORD CON FILTRO / RACORD WITH FILTER	BFS400132209	1
60	ARANDELA COBRE 6X10X1,5 / 6X10X1,5 WASHER	BFS400132213	1
61	ARANDELA 18,2X24X1,5 / 18,2X24X1,5 WASHER	T4006008	1
62A	SOPORTE MOTOR IZQUIERDO / LEFT ENGINE SUPPORT	BFS450510990	1
62B	SOPORTE MOTOR DERECHO / RIGTH ENGINE SUPPORT	BFS450510989	1
63	ESTRIBO DERECHO / RIGHT FOOTREST	BE250010002	1
64	ARANDELA / WASHER	T4001021	2
65	MUELLE ESTRIBO DERECHO / RIGHT FOOTREST SPRING	BE25610037	1
68	CASQUILLO ESTRIBO / FOOTREST BUSHING	BE25610006	2
69	CLAVILLA ZINC / ZINC PIN	BE25622022	2
70	TORNILLO ESPECIAL M8X103 / 8X103 SPECIAL SCREW	T0208103	1
71	ESTRIBO IZQUIERDO / LEFT FOOTREST	BE250010003	1
72	MUELLE ESTRIBO IZQUIERDO / LEFT FOOTREST SPRING	BE25610038	1
74	TORNILLO ESPECIAL M8X103 / M8X103 SPECIAL SCREW	T0208103	1
74A	TORNILLO ESPECIAL M8X85 / M8X85 SPECIAL SCREW	T0208085	2
75	PROTECTOR CÁRTER / CARTER PROTECTOR	BFS450510930	1
76	ULS 8X20 / 8x20 ULS BOLT	T0508020	3
77	COLA CHASIS / FRAME TAIL	BFS450510001	1
78	TUERCA NUT M8 RÁPIDA / M8 FAST LOCK NUT	BT280010041	3
79	ALLEN 8X20 / 8X20 ALLEN BOLT	T0308020	2
80	ARANDELA 6X18X1,5 / 6X18X1,5 WASHER	T4006018	1
81	TUERCA M8 / M8 NUT	T2008002	2

Cuerpo Mariposa  
/ Throttle body

**GAS GAS**

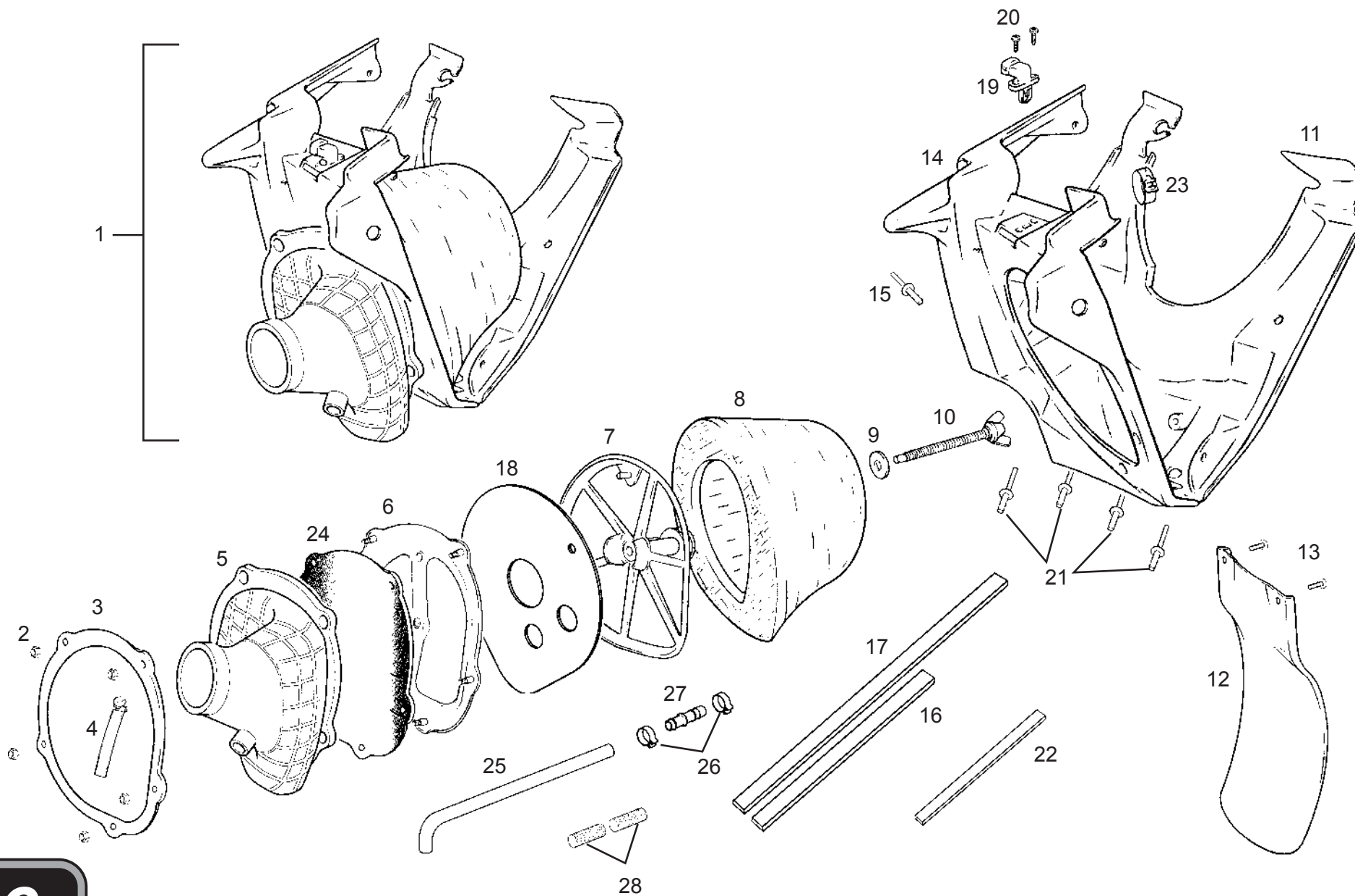
**FSE 2005**



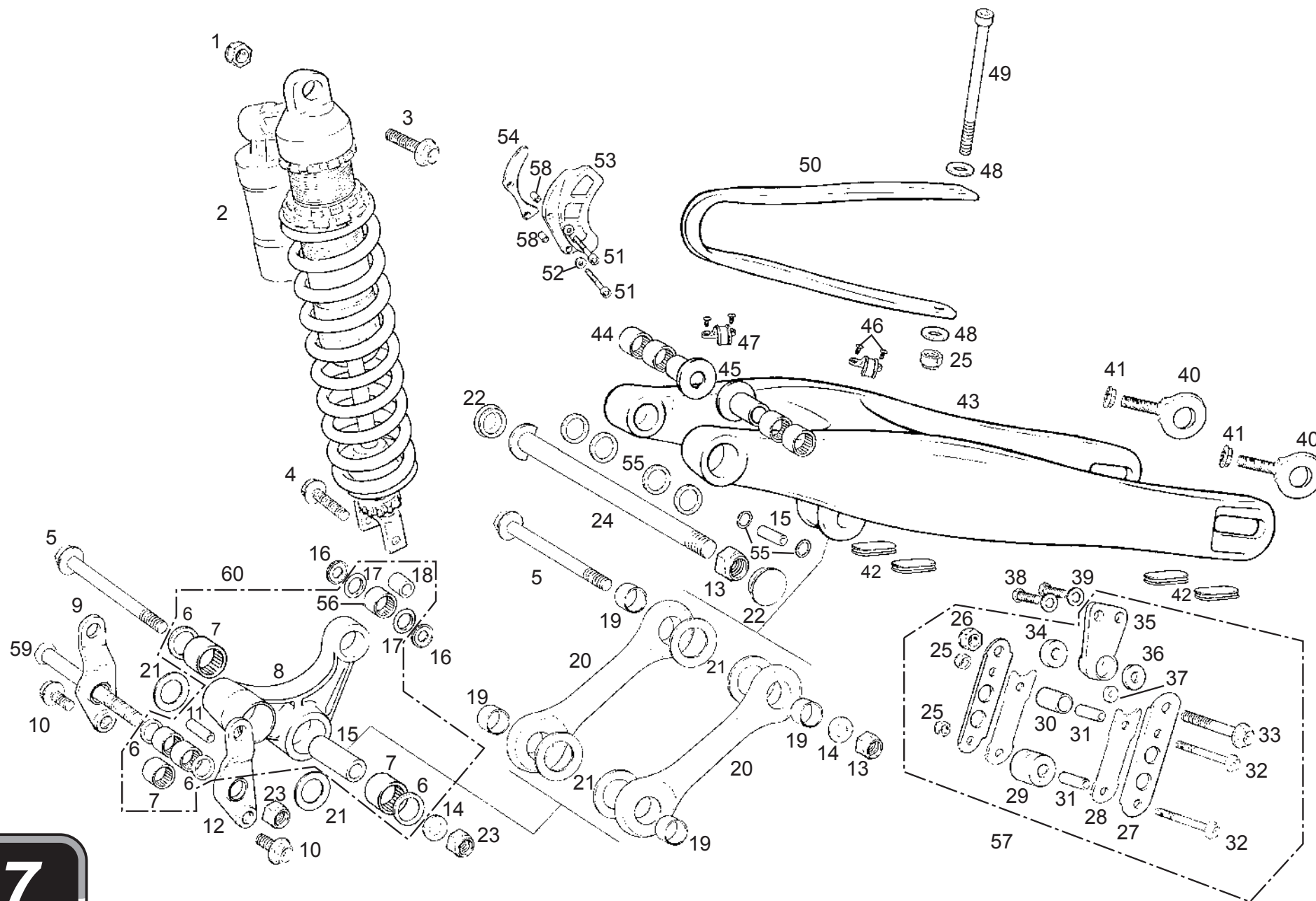
**5**



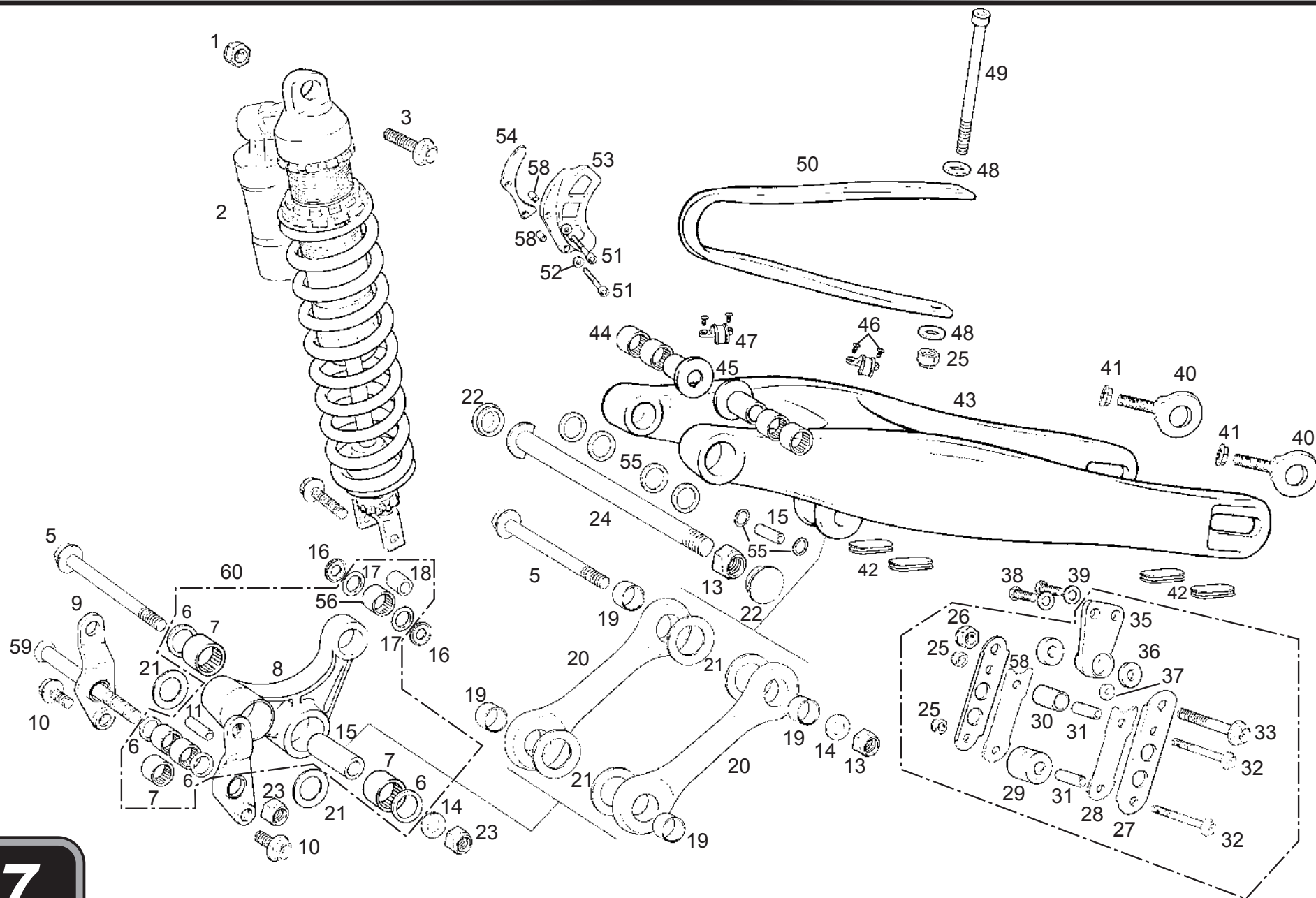
Nº	DESCRIPCIÓN / DESCRIPTION	FSE 400	FSE 450 2005	Cant.
1	INYECTOR FSE / FSE INJECTOR	MFS450380008	MFS450380002	1
2	POTENCIÓMETRO INYECTOR / INJECTOR TRIM - POT	MFS450380010		1
3	TUBERA ADMISIÓN / INTAKE RUBBER	MFS400116131		1
4	CABLE GAS / THROTTLE CABLE	BFS450524008		1
5	TUERCA TENSOR CABLE GAS / THROTTLE GAS TENSOR NUT	BFS400124013		1
6	TENSOR CABLE GAS / THROTTLE GAS TENSOR	BFS450524012		1
7	SOPORTE CABLE GAS / THROTTLE GAS SUPPORT	BFS450524014		1
8	TORNILLO ESP. 5X10 / SPECIAL 5X10 SCREW	T0205010		2
9	TAPA CABLE GAS / THROTTLE GAS COVER	MFS450580007		1
10	CLIPS FIJACIÓN TAPA / COVER CLIPS	MFS450580013		2
11	ENTRADA INYECTOR CUERPO MARIPOSA / BUTTERFLY VALVE BODY INJECTOR INTAKE	MFS450480003		1
12	CUERPO MARIPOSA 45 CFE1 / 45 CFE1 BUTTERFLY VALVE BODY	MFS450380002		1



Nº	DESCRIPCIÓN / DESCRIPTION	FSE 2005	Cant.
1	CTO. CAJA FILTRO / AIR FILTER BOX SET	BFS450528001	1
2	TUERCA M5 CON ARANDELA / WASHER NUT M5	T2105000	5
3	PLATINA SOPORTE JAULA FILTRO / FILTER CARRIER SUPPORT	BE25628021	1
4	ABRAZADERA 40-60 / 40-60 CLAMP	L200047	2
5	GOMA TUBERA CAJA FILTRO EC450 2005 / EC450 2005 BOX FILTER RUBBER	BFS450528017	1
6	PLATINA SOPORTE JAULA FILTRO INTERIOR / INNER FILTER CARRIER SUPPORT	BE25628020	1
7	JAULA FILTRO AIRE / AIR FILTER CARRIER	BE25628002	1
8	FILTRO AIRE / AIR FILTER	BE250128000	1
9	ARANDELA PLANA 6,5X16X1,5 / 6X16X1,5 PLAIN WASHER	T4006016	1
10	VARILLA PALOM FILTRO / FILTER BOLT	BE25628003	1
11	SEMI-CAJA TUBERA FILTRO / AIR FILTER SEMI-BOX	BFS450328015	1
12	PROTECTOR SUSPENSIÓN TRASERA / REAR SHOCK ABSORBER PROTECTOR	BE25620008	1
13	TORNILLO ESPECIAL 6X20 / 6X20 SPECIAL SCREW	T0606020	2
14	SEMI-CAJA ESPUMA FILTRO / AIR FILTER FOAM SEMI-BOX	BE250128016	1
15	REMACHE 4X18 ALUMINIO / ALUMINIUM RIVET RIVET	T4504018	1
16	TIRA ADHESIVA 118 MM CAJA FILTRO / 118 MM. AIR FILTER BOX STICKER	BE250128029	1
17	TIRA ADHESIVA 180 MM CAJA FILTRO / 180 MM. AIR FILTER BOX STICKER	BE250128030	1
18	RESTRICTOR AIRE CAJA FILTRO / FILTER BOX AIR RESTRICTOR	BE2503 28014	1
19	SENSOR AIRE / AIR SENSOR	MFS400180003	1
20	TORNILLO 3X8 / 3X8 SCREW	T1003009	2
21	REMACHE 4X12 NEGRO / BLACK 4X12 RIVET	T4504012	4
22	ESPUMA / FOAM	BE250328039	1
23	ABRAZADERA COBRA 21 / 21 CLAMP	L200046	1
24	MALLA PROTECCIÓN ESPUMA CAJA FILTRO 4T / FILTER BOX PROTECTION NET	BFS450428044	1
25	TUBO DESVAPORIZADOR / STEAM HOSE	MFS450516103	1
26	ABRAZADERA COBRA 17 / COBRA 17 CLAMP	BIT50010033	2
27	CONECTOR TUBO DESVAPORIZADOR / STEAM HOSE CONNECTOR	BFS450528048	1
28	CILINDRO ESPUMA TUBO DESVAP. / STEAM HOSE FOAM	BFS450528049	2

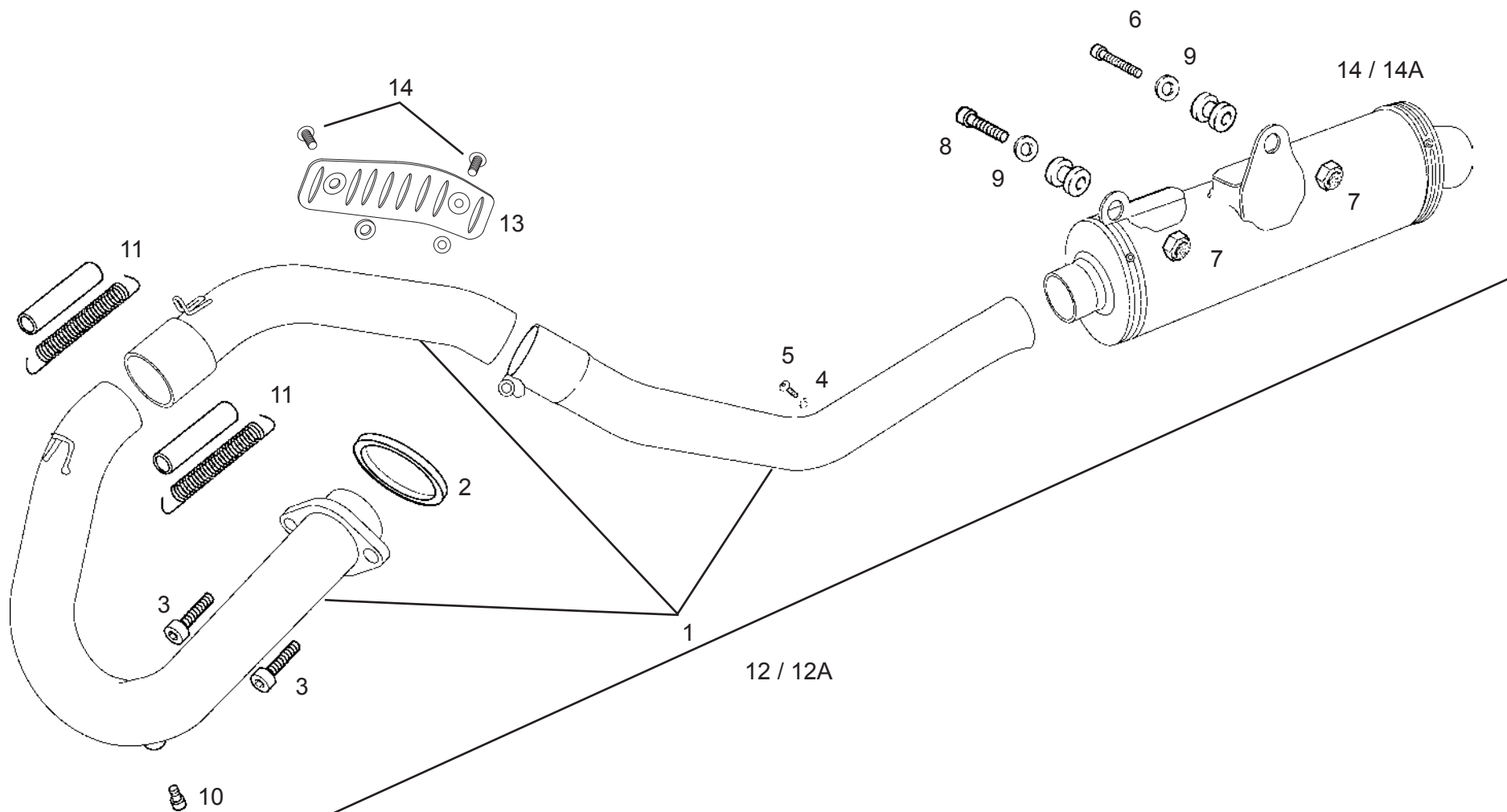


Nº	DESCRIPCIÓN / DESCRIPTION	EC-FSE 2005	SM-FSE 2005	Cant.
1	TUERCA AUTOBLOCANTE M10 / SELF-LOCKING NUT M10	T3110002		1
2	AMORTIGUADOR TRASERO / REAR SHOCK ABSORBER	BFS450414004	BTL400214004	1
3	TORNILLO ESPECIAL M10X55 / SPECIAL SCREW M10X55	T0210055		1
4	TORNILLO M10X40X1,25 / BOLT M10X40X1.25	T0110042		1
5	TORNILLO ESPECIAL 14X95 / SPECIAL SCREW 14X95	T0201495		2
6	RETÉN 28X22X4 BASCULANTE / SWINGARM SEAL 28X22X4	BE25610011		4
7	JAULA AGUJAS DL2216 / NEEDLES BEARING DL2216	BE25614010		5
8	BALANCÍN / ROCKER ARM	BE250514005		1
9	SOPORTE BALANCÍN DERECHO / RIGHT ROCKER ARM SUPPORT	BE250314006		1
10	TORNILLO ESPECIAL 12X25X1,25 / SPECIAL SCREW 12X25X1.25	T02012025		2
11	CASQUILLO EJE BASCULANTE / SWINGARM SHAFT BUSHING	BE25612005		1
12	SOPORTE BALANCÍN IZQUIERDO / LEFT ROCKER ARM SUPPORT	BE250314007		1
13	TUERCA AUTOBLOCANTE M 14 / SELF-LOCKING NUT M14	BE25612009		4
15	CASQUILLO 14X22X57 / 14X22X57 BUSHING	BE25612014		2
16	ARANDELA REGLAJE 21X10,2X1 / 21X10.2X1 SETTING WASHER	T4001022		2
17	TORICA BIELETA 15X3,5 / CONNECTING ROD O'RING	BE25814015		2
18	CASQUILLO INF. AMORTIGUADOR D.16X21.60 / SHOCK ABSORBER BUSHING (LOWER)	BE25642005		1
19	CASQUILLO BIELETA / CONNECTING ROD BUSHING	BE25642002		4
20	BIELETA / CONNECTING ROD	BC250014008	BE120114008	2
21	ARANDELA REGLAJE 22,4X36X0,7 / SETTING WASHER 22.4X36X0.7	T4022036		6
23	TUERCA M14 AUTOBLOCANTE CON ARANDELA / SELF-LOCKING M14 NUT WITH WASHER	BE25612009		2
24	EJE BASCULANTE EC2003 / EC2003 SWINGARM SHAFT	BE250312008		1
25	TUERCA AUTOBLOCANTE M6 ALTA / HIGH SELF LOCKING NUT M6	T2106002		2
26	TUERCA AUTOBLOCANTE M8 BAJA / LOW SELF LOCKING NUT M8	T2108001		1
27	PLATINA GUÍA CADENA / CHAIN GUIDE BRACKET	BE25912017		2
28	TIRA NYLON ANTIRUIDO / ANTI-NOISE NYLON BAND	BE25612022		2
29	RODILLO GUÍA CADENA 13,55X32X23,5 / CHAIN GUIDE ROLLER 13.55X32X23.5	BE25610032		1
30	RODILLO GUÍA CADENA SUPERIOR / UPPER CHAIN GUIDE ROLLER	BE25610014		1
31	CASQUILLO GUÍA CADENA / CHAIN GUIDE BUSHING	BE25610025		2
32	TORNILLO ESPECIAL 6X45 / SPECIAL SCREW 6X45	T0206045		2
33	TORNILLO ESPECIAL 8X45 / SPECIAL SCREW 8X45	T0208045		1
34	DISTACIADOR SOP. GUÍA CADENA GRANDE / BIG CHAIN GUIDE SUPPORT SPACER	BE25612021		1
35	SOPORTE GUÍA CADENA / CHAIN GUIDE SUPPORT	BE25612018		1
36	DISTACIADOR SOP. GUÍA CADENA PEQUEÑO / SMALL CHAIN GUIDE SUPPORT SPACER	BE25612020		1
37	SILENTBLOCK SOPORTE GUÍA CADENA / CHAIN GUIDE SUPPORT SILENBLOCK	BE25612019		1
38	HEXAGONAL 8X20 / HEX. BOLT 8X20	T0108020		2
39	ARANDELA 8X16X1,5 / WASHER 8X16X1.5	T4008016		2
40	SENSOR RUEDA / WHEEL TENSOR	BE250418022		2
41	TUERCA CILINDRO ESPECIAL M10/150 / M10/150 SPECIAL BOLT	ME25616031		2



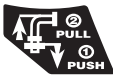
Nº	DESCRIPCIÓN / DESCRIPTION	FSE 2005	Cant.
42	GOMA PROTECTOR BASCULANTE / SWINGARM PROTECTOR RUBBER	BE25836005	4
43	BASCULANTE / SWINGARM	BE250112002	1
44	JAULA AGUJAS DL2216 / NEEDLES BEARING DL2216	BE25614010	4
45	CASQUILLO BASCULANTE EC2003 / EC2003 SWINGARM BUSHING	BE250312007	2
46	ULS 5X12 / ULS BOLT 5X12	T0505012	4
47	SUJECIÓN LATIGUILLO SOBRE BASCULANTE / SWINGARM HOSE HOLDER	BE25612006	2
48	ARANDELA 6X18X1,5 / 6X18X1.5 WASHER	T4006018	2
49	ALLEN 6X100 / ALLEN BOLT 6X100	T0306100	1
50	PATIN CADENA / CHAIN SLIDER	BE250112015	1
51	ALLEN 6X45 / ALLEN BOLT 6X45	T0206045	2
52	ARANDELA PLANA 6X12X1,5 / PLAIN WASHER 6X12X1.5	T4006012	2
53	PROTECTOR PIÑÓN PLÁSTICO ENDURO / ENDURO PLASTIC PINION PROT.	ME250036121	1
54	PLATINA PROTECTOR PIÑÓN / PINION PROTECTOR BRACKET	ME25636021	1
55	TÓRICA 3,5X21 / 3,5X21 O RING	BE250510011	6
56	JAULA AGUJAS DL1216 / DL 1216 NEEDLES BEARING	BE25614009	1
57	CTO. TENSOR CADENA / CHAIN TIGHTER SET	BE25612018CT	1
58	CASQUILLO DISTANCIADOR PIÑÓN / SPACER PINION BUSHING	ME250036019	2
59	TORNILLO ESPECIAL M14X110 / SPECIAL SCREW M14X110	T0214110	1
60	CTO. BALANCÍN / ROCKER SET	BE250514005CT	1





Nº	DESCRIPCIÓN / DESCRIPTION	FSE 2005	Cant.
1	TUBO ESCAPE / EXHAUST	BFS450526001	1
2	JUNTA EC4T / EXHAUST GASKET	MFS400144012	1
3	ALLEN 8X20 / 8X20 ALLEN BOLT	T0308020	2
4	ARANDELA 8X16X1,5 / 8X16X1,5 WASHER	T4008016	1
5	ULS 8X16 / 8X16 ULS BOLT	T0508016	1
6	ALLEN 8X45	T0308045	1
7	TUERCA CON ARANDELA / NUT WITH WASHER	T2208002	2
8	ALLEN 8X30	T0308030	1
9	ARANDELA 8X24X2 / 8X24X2 WASHER	T4008024	2
10	TAPON SENSOR Co / SENSOR CAP	BFS400126054	1
11	MUELLE ESCAPE 4T / FSE EXHAUST SPRING	BFS400110042	2
12	CTO. ESCAPE RACING / RACING EXHAUST SET	BFS450526001CTR	1
12A	CTO. ESCAPE HOMOLOGADO / VALIDATED EXHAUST SET	BFS450526001CT	1
13	PROTECTOR ESCAPE / EXHAUST TUBE PROTECTOR	BFS4500526002	1
14	SILENCIADOR FINAL / FINAL SILENCER	BFS450526002R	1
14A	SILENCIADOR FINAL RACING / FINAL RACING SILENCER	BFS450526021	1
15	TORNILLO / BOLT	T0556010	2

7



8



1

2

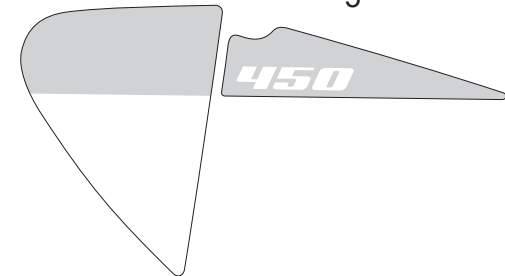


3

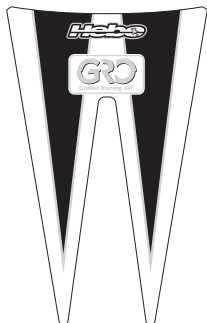


4

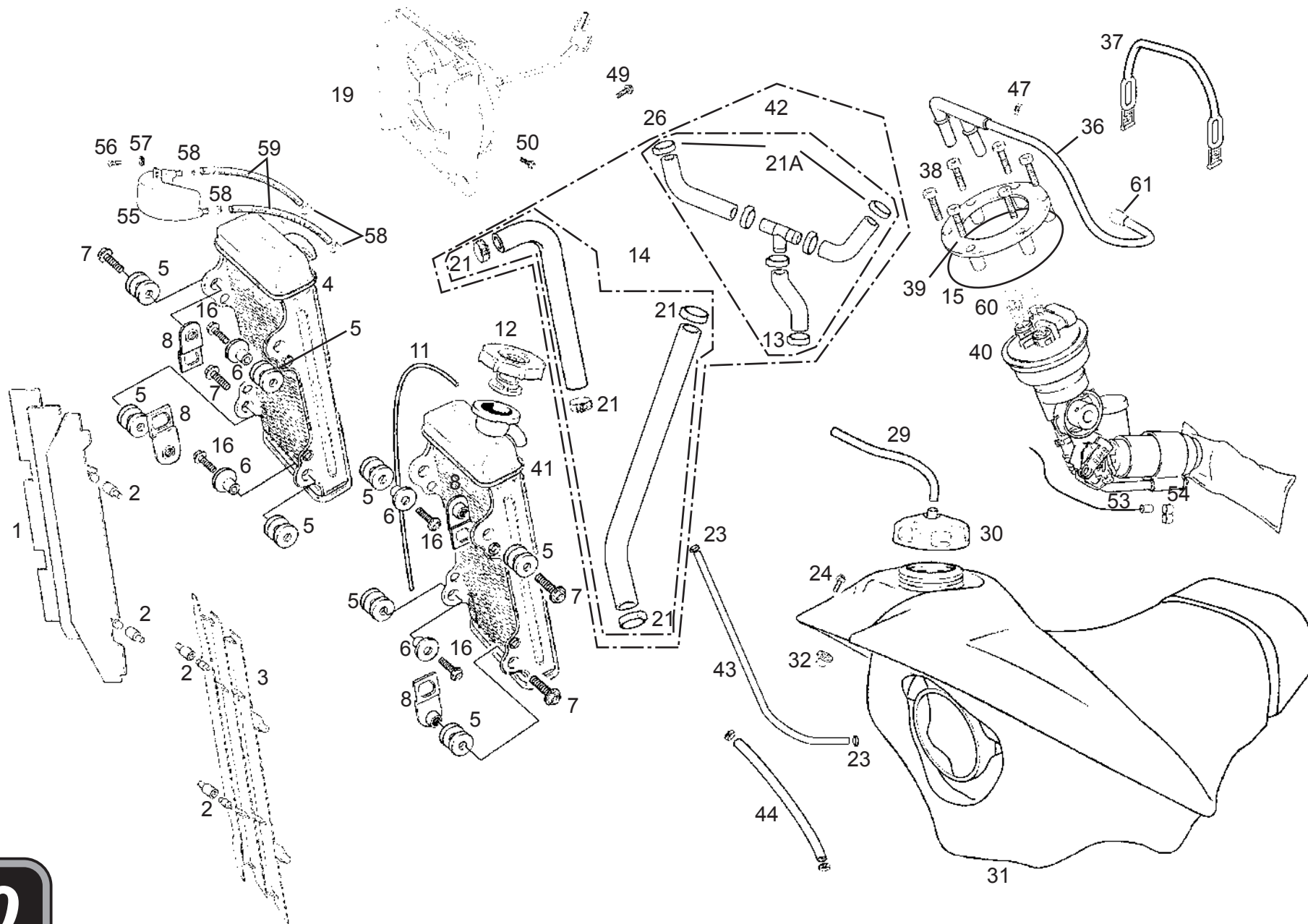
5



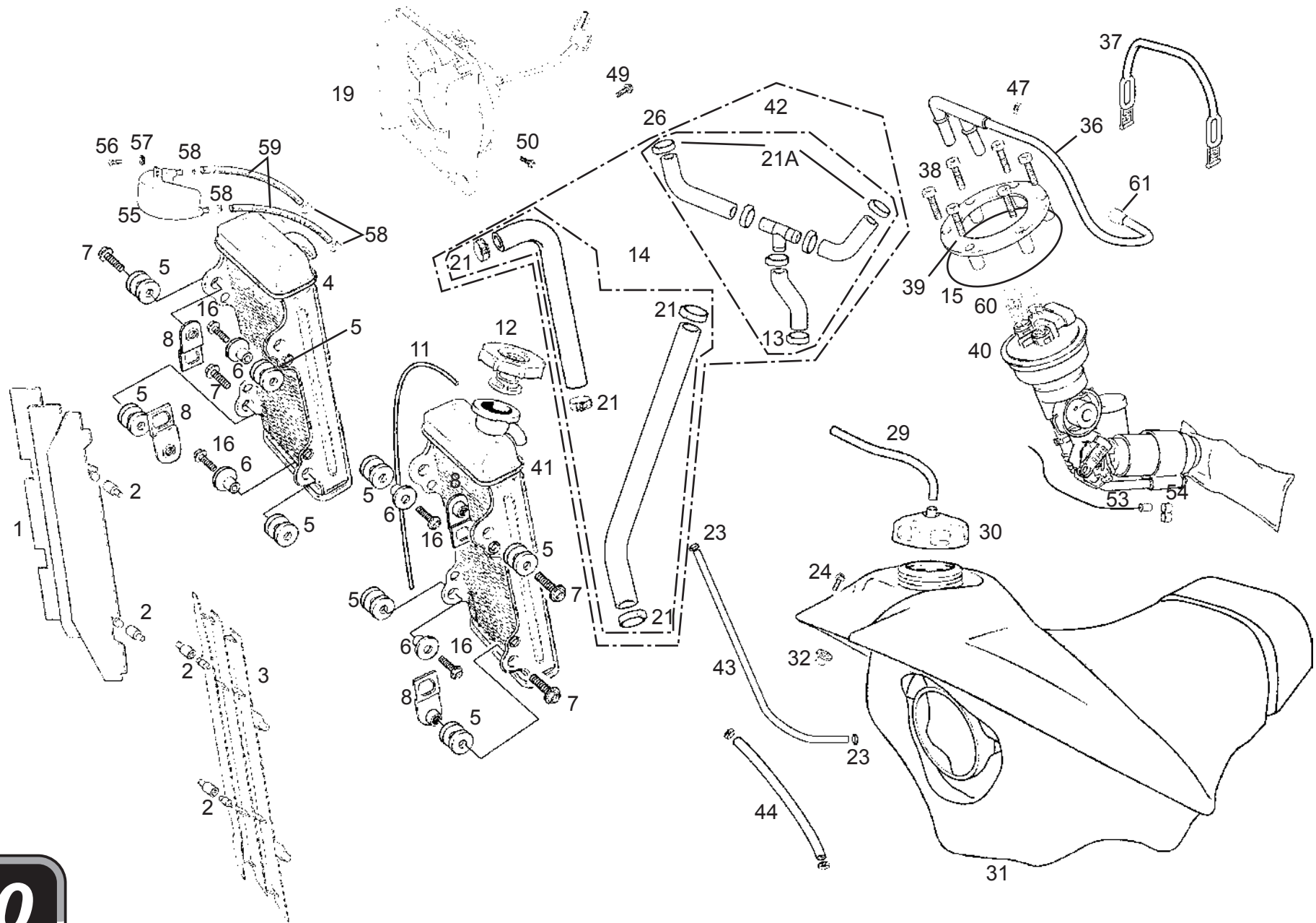
6



Nº	DESCRIPCIÓN / DESCRIPTION	FSE 400	FSE 450	SM FSE 450	Cant.
1	CONJUNTO ADHESIVOS FSE-2005 / FSE-2005 STICKERS SET	BFS450538000	BFS450438000	BFS450438000SM	1
2	ADHESIVO BASCULANTE / STICKER ARM	BFS450838005	BFS450438005		2
3	ADHESIVO MICHELIN / MICHELIN STICKER	PU000238006	PU000238006		2
4	ADH. TAPA FILTRO / AIR FILTER COVER STICKER	BFS450538049	BE250438049		1
5	ADH. PORTANUMEROS LATERAL IZQUIERDO / LEFT COVER STICKER	BFS400438004	BFS450438004	BFS450438004SM	1
6	ADH. PORTANUMEROS LATERAL DERECHO / RIGHT COVER STICKER	BFS400438003	BFS450438003	BFS450438003SM	1
7	ADH. PUSH PULL 4T / PUSH PULL 4T STICKER		PU000338001		1
8	ADH. NO ACCIONAR EL GAS / DON'T TWIST STICKER		PU000238004		1



Nº	DESCRIPCIÓN / DESCRIPTION	FSE 2005	Cant.
1	REJILLA RADIADOR DERECHO / RIGHT RADIATOR RACK	BE25620001	1
2	TOPE REJILLA RADIADOR / RADIATOR RACK END	BE25620101	4
3	REJILLA RADIADOR IZQUIERDO / LEFT RADIATOR RACK	BE25620002	1
4	RADIADOR DERECHO / RIGHT RADIATOR	BFS450432000	1
5	SILENTBLOCK RADIADOR / RADIATOR SILENTBLOCK	BE250026005	8
6	CASQUILLO RADIADOR / RADIATOR BUSHING	BE25832040	4
7	TORNILLO ESPECIAL 6X16 / 6X16 SPECIAL SCREW	T0206016	4
8	PLÁSTICO LATERAL RADIADOR / RADIATOR PROTECTOR	BE25632015	4
11	TUBO SOBRANTE RADIADOR / RADIATOR BREATHE HOSE	BE25632009	1
12	TAPÓN RADIADOR / RADIATOR TAP	BFS400132032	1
13	ABRAZADERA COBRA 25 / 25 CLAMP	BE120132052	1
14	TUBO RADIADORES/BOMBA AGUA FSE450-2005	BFS450532020	1
15	TÓRICA BOMBA INYECCIÓN / INJECTION PUMP O'RING	MFS400180105	1
16	ALLEN 6X20 / 6X20 ALLEN BOLT	T0306020	4
19	VENTILADOR / FAN	BFS450332340	1
21	ABRAZADERA COBRA 21 / 21 CLAMP	L200046	2
21A	ABRAZADERA COBRA 20 / 20 CLAMP	L20035	2
23	ABRAZADERA 17 / 17 CLAMP	BIT50010033	2
24	TORNILLO ESPECIAL 6X20 / 6X20 SPECIAL SCREW	T0206020	1
25	ARANDELA 4X12X1,5 / 4X12X1,5 WASHER	T4004012	3
26	CONJUNTO TUBOS RADIADOR / RADIATOR HOSE SET	BFS450532050	1
29	TUBO DESVAPORIZADOR TAPÓN GASOLINA / FUEL HOSE TO PUMP	BE250520011	1
30	TAPÓN DEPÓSITO GASOLINA / FUEL TANK CAP	BE250520010	1
31	DEPÓSITO / FUEL TANK	BFS450510024	1
32	CASQUILLO DEPÓSITO / FUEL TANK BUSHING	BE25610007	1
36	CTO.TUBOS BOMBA INYECCIÓN FSE450-2005 / FSE 450 2005 FUEL INJECTION HOSE SET	BFS450480115	1
37	TIRA SUJ. DEPÓSITO EC 2001 / FUEL TANK RUBBER BAND HOLDER	BE250136020	1
38	ALLEN 5X25 / 5X25 ALLEN BOLT	T0305025	6
39	TAPA BOMBA INYECCIÓN / INJECTION PUMP COVER	MFS400180106	1
40	BOMBA GASOLINA / FUEL PUMP	MFS400180100	1
41	RADIADOR IZQUIERDO / LEFT RADIATOR	BFS450532001	1
42	CTO. TUBOS RADIADOR A BOMBA AGUA / RADIATOR TO WATER PUMP HOSE	BFS400132020/2	1
43	TUBO DESVAPORIZADOR CULATA / CYL. HEAD DESVAP. HOSE	BFS450532014	1
47	ABRAZADERA D.12.9-13.6 AMARILLA / 12.9-13.6 YELLOW CLAMP	BE250210047	4
49	TORNILLO HEXAGONAL 4X10 / 4X10 HEXAGONAL BOLT	T0104010	3
50	TORNILLO ROSCA-CHAPA 3X9 / 3X9 SCREW	T1003009	4
53	SENSOR GASOLINA / FUEL SENSOR	MFS450580113	1
54	CLIP FIJACIÓN SENSOR BOMBA INYECCIÓN / FUEL SENSOR SUPPORT CLIP	MFS450380112	1
55	VASO EXPANSION EC-2001 / EC-2001 EXPANSION RESERVOIR	BE250132005	1





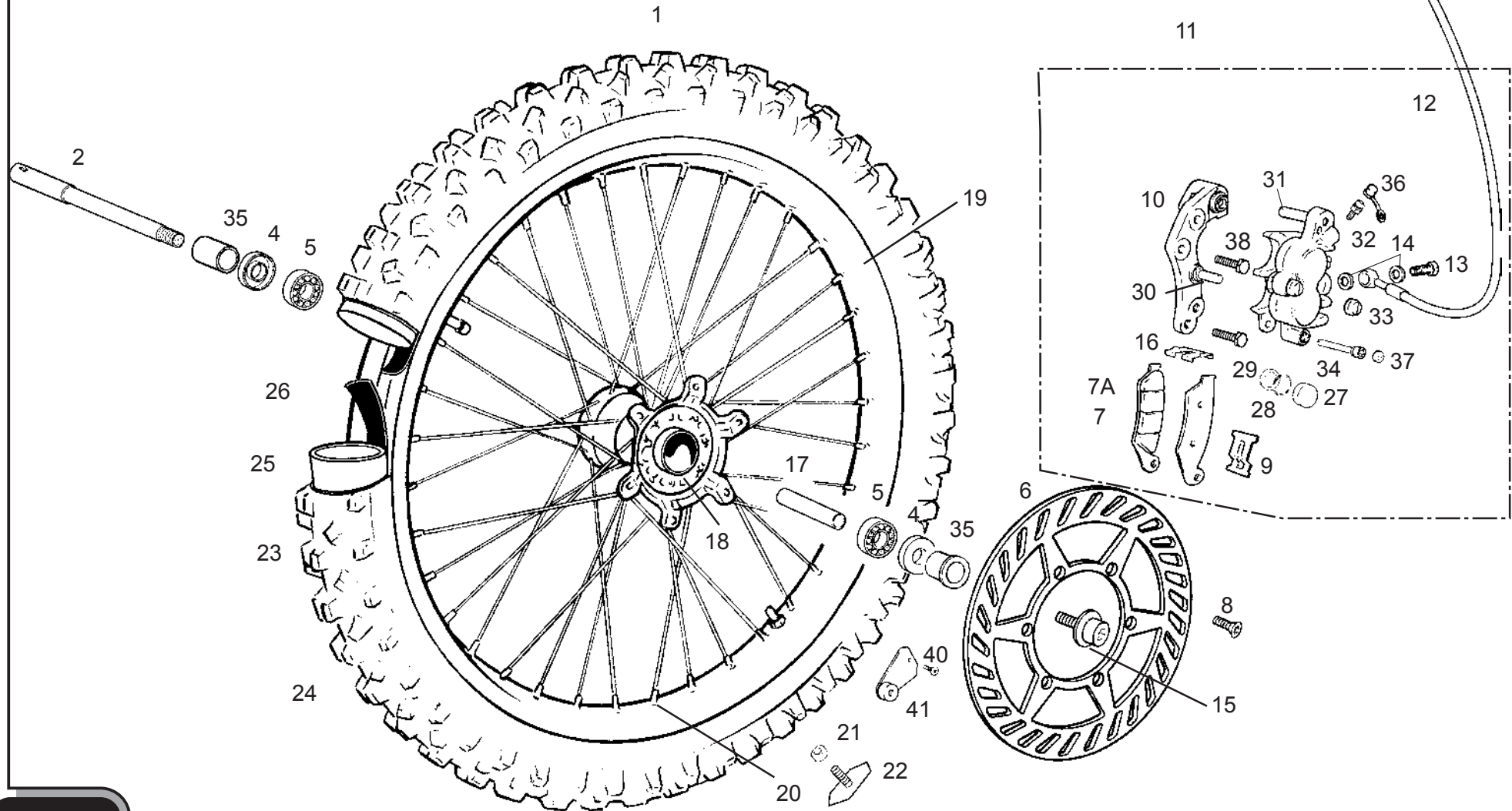
Nº	DESCRIPCIÓN / DESCRIPTION	FSE 2005	Cant.
56	ULS 6X16	T0506016	1
57	ARANDELA 6x12x1,5 / 6X12X1,5 WASHER	T4006012	2
58	ABRAZADERA MUELLE / SPRING CLAMP	BE250210047	4
59	TUBO.RAD. AL VASO EXPANSIÓN / RADIATOR HOSE TO EXPANSION RESERVOIR	BE25632008	2
60	CONECTOR JOHN GUEST / JOHN GUEST CONNECTOR	MF5400180116	2
61	ENTRADA INYECTOR CUERPO MARIPOSA / BUTTERFLY BODY INJECTOR ENTER	MFS450480003	1



Rueda delantera /  
Front wheel

**GASGAS**

**SM 2005**

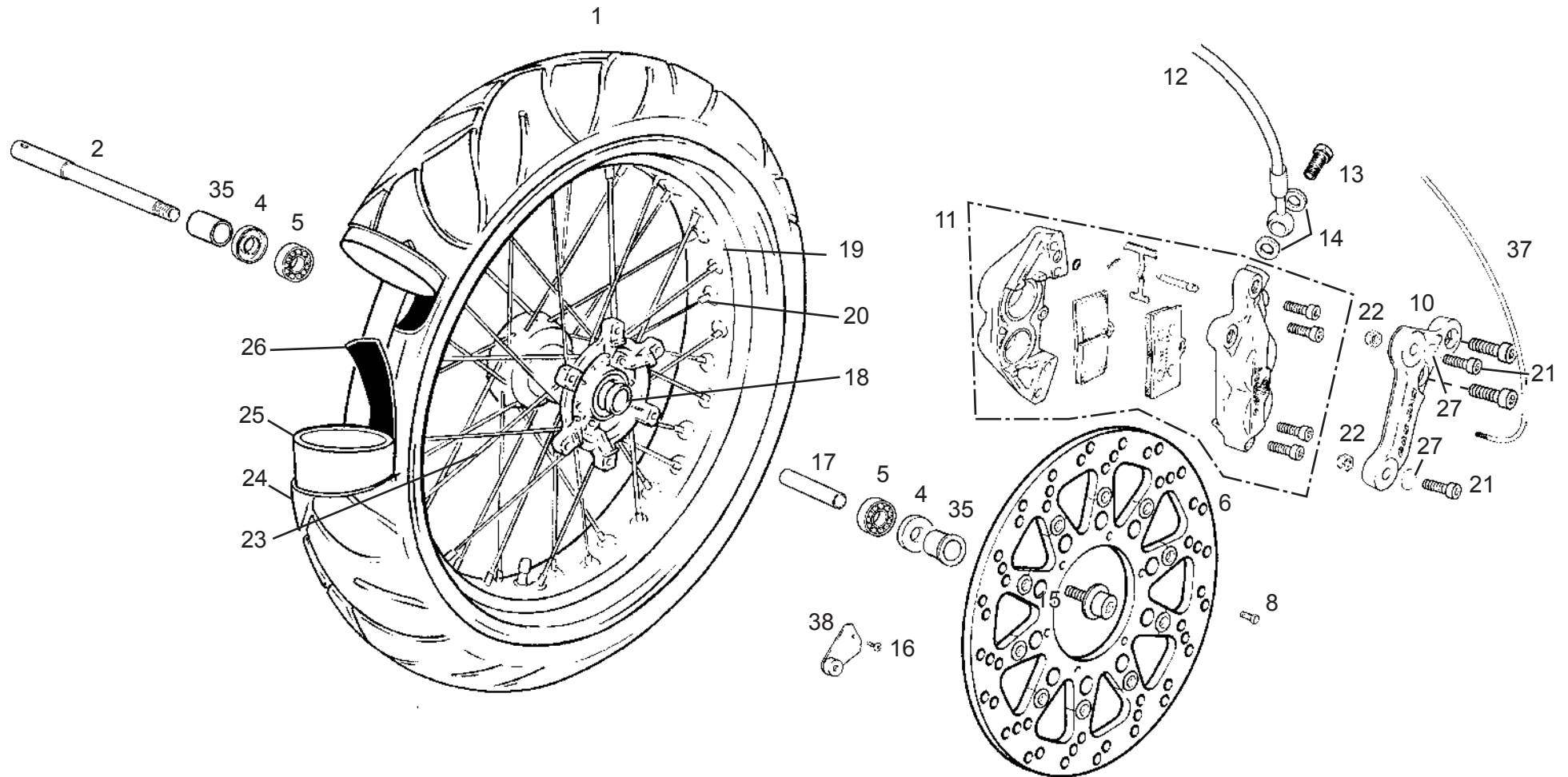


Nº	DESCRIPCIÓN / DESCRIPTION	FSE 2005	Cant.
1	RUEDA DELANTERA / FRONT WHEEL	BE250518000	1
2	EJE RUEDA DELANTERA / FRONT WHEEL AXIS	BC250418017	1
4	RETÉN RUEDA DELANTERA / FRONT WHEEL GASKET	BE250418057	2
5	COJINETE 6905 2RSR / BEARING	ME120136055	2
6	DISCO FRENO DELANTERO / FRONT BRAKE DISC	BE250222011	1
7	PASTILLAS DE FRENO DELANTERO / FRONT BRAKE PADS	BC250022065	1
7A	PASTILLAS DE FRENO / BRAKE PADS	BE250022065	1
8	HEXAGONAL 6X16 / HEXAGONAL BOLT 6X16	BE250018029	6
9	PLATINA (A) SUJ. PASTILLAS DEL. / FRONT BRAKE PADS HOLDER BRACKET (A)	BE250022063	1
10	SOPORTE PINZA DELANTERO / FRONT CALIPER SUPPORT	BE250022110	1
11	PINZA FRENO DELANT. / FRONT BRAKE CALIPER	BE250322000	1
12	LATIGUILLO FRENO DELANTERO / FRONT BRAKE HOSE	BE250022002	1
13	RACORD SUJ. LATIGUILLO 10X1,25 / HOSE HOLDER RACORD 10X1.25	BC25722006	1
16	PLATINA (B) SUJ. PASTILLAS DELANT. / FRONT BRAKE PADS HOLDER BRACKET (B)	BE250022064	1
17	DISTANCIADOR / SPACER	BE250418058	1
18	CUBO RUEDA DELANTERO SEP. INT. ALUM. / FRONT WHEEL HUB	BC250018007	1
19	LLANTA 1,60X21 / RIM 1.60X21	BE250518006	1
20	TUERCA RADIO DELANTERO / FRONT SPOKE NUT	BE250218010	36
21	TUERCA CON ARANDELA ESTRIADA M8 / NUT WITH LOCK WASHER M8	BE25818060	1
22	AGARRE CUBIERTA DELANTERA / FRONT TIRE HOLDER	R120000	1
23	RADIO DELANTERO 243X3,5 / FRONT SPOKE 243X3.5	BE250218009	36
24	NEUMÁTICO DELANTERO 90/90-21 / FRONT TIRE 90/90-21	BE25618102	1
25	CÁMARA DELANTERA / FRONT AIR HOSE	BE25618001	1
26	PROTECTOR BANDA DELANTERA / FRONT RIM BAND	BE25618028	1
27	PISTÓN COMP. PINZA FRENO DELANTERO / FRONT BRAKE CALIPER PISTON	BE250022042	4
28	TÓRICA PISTÓN PINZA FRENO DELANTERO / FRONT BRAKE CALIPER PISTON O'RING	BE250022032	4
29	RETÉN PINZA FRENO DELANTERO / FRONT BRAKE CALIPER SEAL	BE250022033	4
30	TORNILLO CLAVIJA PINZA FRENO DELANTERO / FRONT BRAKE CALIPER BOLT	BE250022034	1
31	TORNILLO CLAVIJA A PINZA FRENO DELANTERO / FRONT BRAKE TO CALIPER BOLT	BE250022043	1
32	SANGRADOR PINZA FRENO DELANTERO / FRONT BRAKE CALIPER BLEEDER	BE250022038	1
33	PROTEC. TORNILLO PINZA FRENO DEL. / FRONT BRAKE CALIPER BOLT PROT.	BE250022039	1
34	PASADOR PASTILLAS PINZA FRENO DELANTERO / FRONT BRAKE PADS PIN	BE250022041	1
35	CASQUILLO RUEDA DELANTERA / FRONT WHEEL BUSHING	BC250418019	2
36	TAPÓN SANGRADOR / BLEEDER CAP	BE250022055	1
37	PROTECCIÓN PASADOR NISSIN / NISSIN PROTECTOR PIN	BE250022095	1
38	TORNILLO ESPECIAL 8X30 / SPECIAL SCREW 8X45	T0208030	2
40	ULS 3X10 NEGRO CON ARANDELA / BLACK 3X10 ULS WITH WASHER	T0323010	1
41	CTO. SOPORTE CON IMAN C.K. / SUPPORT WITH MAGNET SET	BE250334008	1

Rueda delantera /  
Front wheel

**GAS GAS**

**SM 2005**

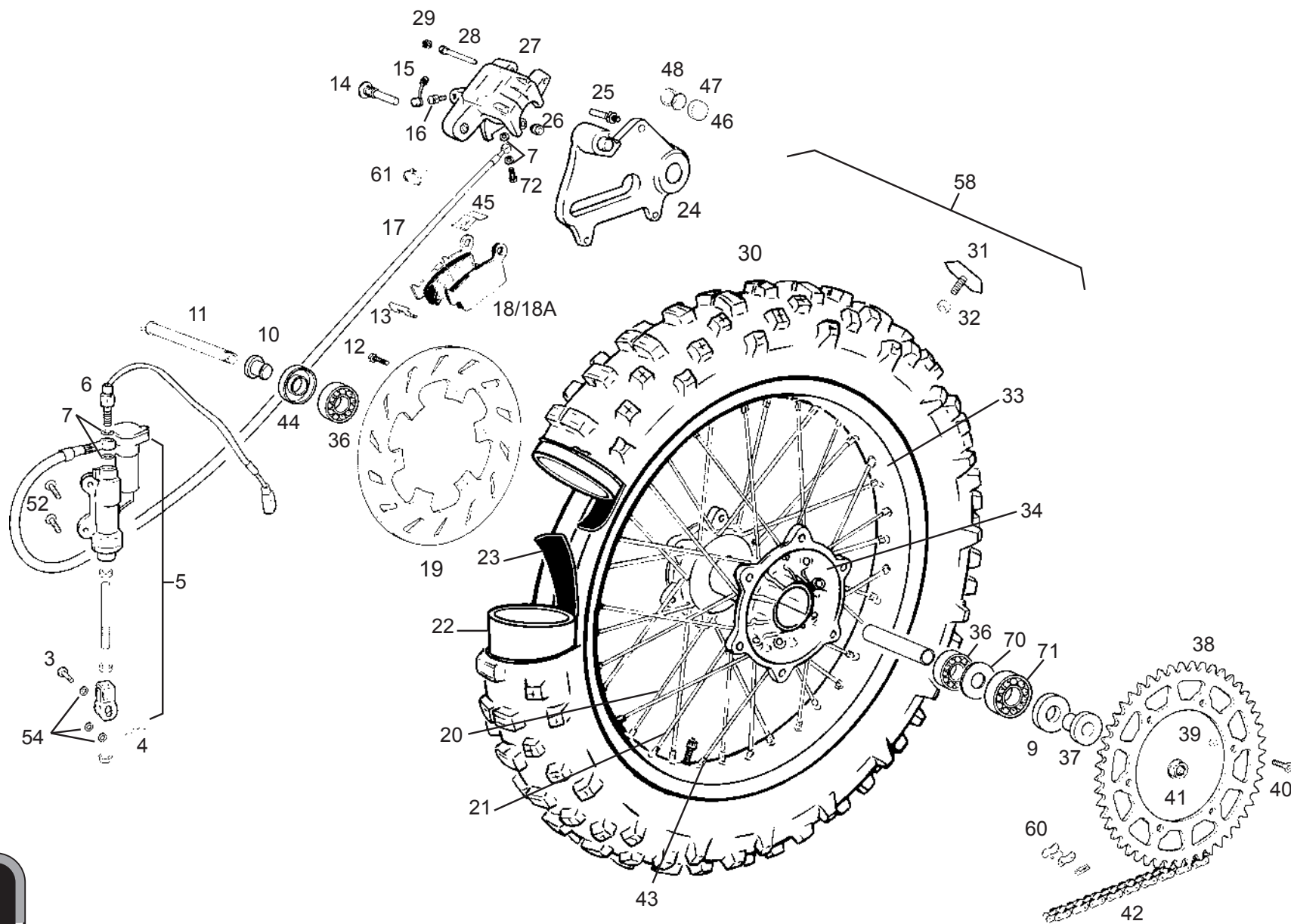


Nº	DESCRIPCIÓN / DESCRIPTION		Cant.
1	RUEDA DELANTERA SM / SM FRONT WHEEL	BE250318000SM	1
2	EJE RUEDA DELANTERA / FRONT WHEEL AXIS	BC250418017	1
4	RETÉN RUEDA DELANTERA / FRONT WHEEL GASKET	BE250418057	2
5	COJINETE / BEARING	ME120136055	2
6	DISCO FRENO DELANTERO / FRONT BRAKE DISC	BE250122011SM	1
7	PASTILLAS DE FRENO DELANTERO / FRONT BRAKE PADS	BE250122065SM	1
8	HEXAGONAL 6X14 / HEXAGONAL BOLT 6X14	T020601412	6
10	SOPORTE PINZA DELANTERO / FRONT CALIPER SUPPORT	BE250122110SM	1
11	PINZA FRENO DELANTERO / FRONT BRAKE CALIPER	BE250122000SM	1
12	LATIGUILLO FRENO DELANTERO / FRONT BRAKE HOSE	BE250522002SM	1
13	RACORD SUJECIÓN LATIGUILLO 10X1,25 / HOSE HOLDER RACORD 10X1.25	R320000	1
14	ARANDELA LATIGUILLO 10X14X2 / HOSE WASHER 10X14X2	BE25622057	2
15	TORNILLO EJE RUEDA DELANTERA / FRONT WHEEL AXIS BOLT	BT280418026	1
16	ULS 3X10 NEGRO CON ARANDELA / BLACK 3X10 ULS WITH WASHER	T0323010	1
17	DISTANCIADOR / SPACER	BE250418058	1
18	CUBO RUEDA DELANTERA SEP. INT. ALUMINIO / FRONT WHEEL HUB	BC250018007	1
19	LLANTA / RIM	BE250118006SM	1
20	TUERCA RADIO DELANTERO / FRONT SPOKE NUT	BT27718016	36
21	TORNILLO ESPECIAL 8X45 / 8X45 SPECIAL SCREW	T0208045	2
22	TUERCA M8 AUTOBLOCANTE CON ARANDELA / M8 SELF-LOCKING NUT WITH WASHER	T2208002	2
23	RADIO DELANTERO 185X3,5 / FRONT SPOKE 185X3.5	BE250118009SM	36
24	NEUMÁTICO DELANTERO 120/60 ZR 17 / FRONT TIRE	BE2501180102SM	1
25	CÁMARA DELANTERA SUPERMOTARD / SUPERMOTARD FRONT AIR HOSE	BE250118001SM/2	1
26	PROTECTOR BANDA DELANTERA / FRONT RIM BAND	BE250118028SM	1
27	ARANDELA 8X16X1,5 / 8X16X1,5 WASHER	T4008016	2
35	DISTANCIADOR RUEDA DELANTERA / FRONT WHEEL SPACER	BC250018019	2
37	CABLE MULTIFUNCIÓN TT 2003 / MULTIFUNCTION CABLE	BE250334050	1
38	CTO. SOPORTE CON IMAN C.K. / SUPPORT WITH C.K. MAGNET SET	BE250334008	1

Rueda trasera /  
Rear wheel

**GAS GAS**

**FSE 2005**





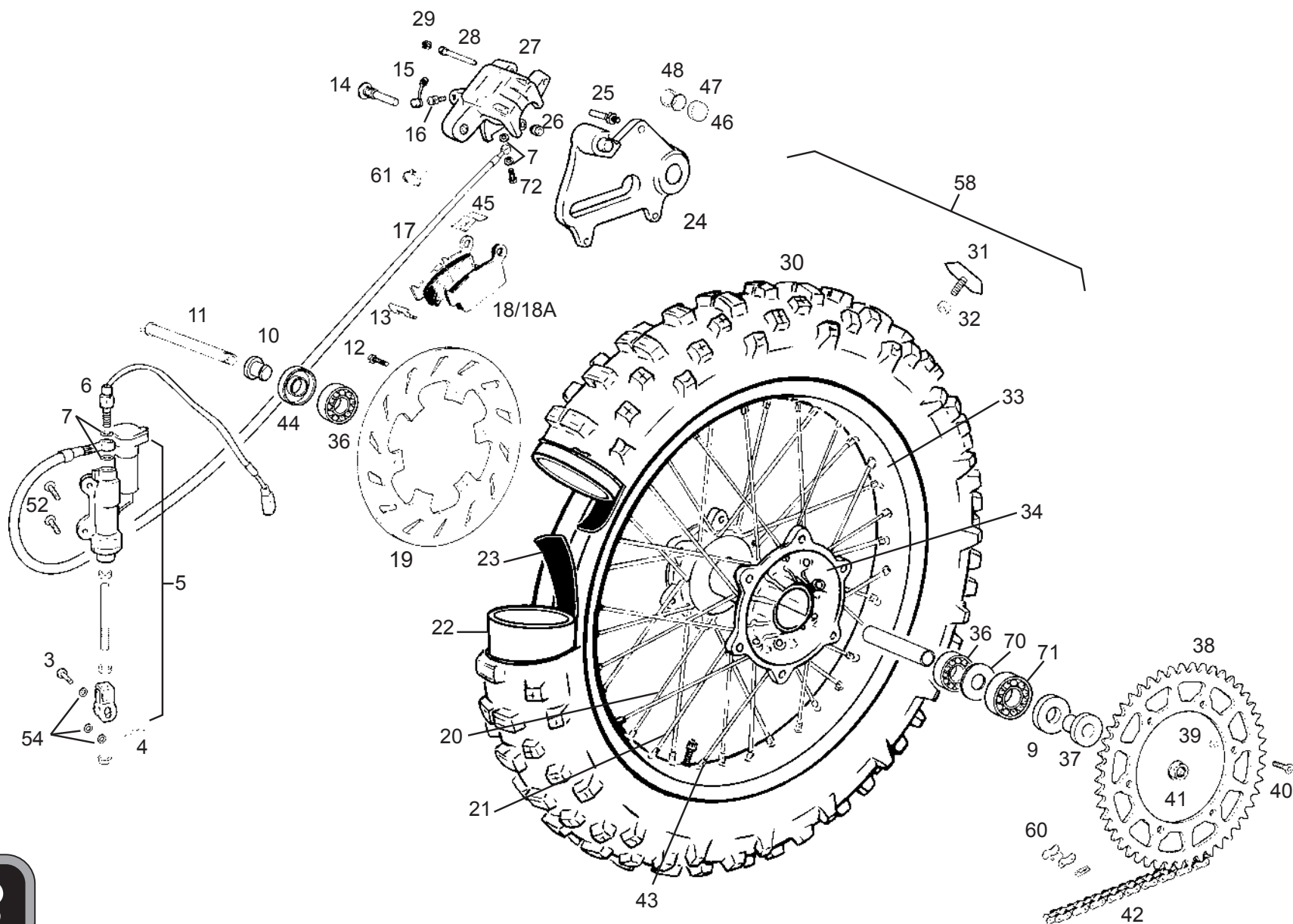
Nº	DESCRIPCIÓN / DESCRIPTION	FSE 2005	Cant.
3	PASADOR 8X20 PEDAL FRENO / BRAKE PEDAL PIN 8X20	BE25622026	1
4	CLAVILLA PASADOR FRENO 2X20 / BRAKE PEDAL PIN STOPPER	BE25622027	1
5	BOMBA FRENO TRASERO NISSIN / NISSIN REAR BRAKE PUMP	BE250522010	1
6	INTERRUPTOR STOP BOMBA NISSIN / NISSIN BRAKE PUMP STOP SWITCH	BE250334003	1
7	ARANDELA LATIGUILLO 10X14X1 / HOSE WASHER 10X14X1	BE25622007	4
9	RETÉN RUEDA TRASERA / REAR WHEEL SEAL	BE250318055	1
10	DISTANCIADOR RUEDA TRASERA CORTO / SHORT REAR WHEEL SPACER	BE250018025	1
11	EJE RUEDA TRASERA / REAR WHEEL AXIS	BE25618020	1
12	TORNILLO HEXAGONAL 6X16 DISCO TRAS. / R. DISC BRAKE HEX. SCREW 6X16	BE250018029	6
13	PLATINA (A) SUJ. PASTILLAS TRAS. / REAR BRAKE PADS HOLDER BRACKET (	BE250022090	1
14	TORNILLO SUJECCIÓN PINZA / CALIPER HOLDER SCREW	BE250022096	1
15	TAPÓN SANGRADOR / BLEEDER CAP	BE250022055	1
16	SANGRADOR / BLEEDER	BE250022060	1
17	LATIGUILLO FRENO TRASERO NISSIN / NISSIN REAR BRAKE HOSE	BE250022004	1
18	PASTILLAS DE FRENO TRASERO / REAR BRAKE PADS	BE250022068	1
18A	PASTILLAS DE FRENO TRASERO NISSIN / NISSIN REAR BRAKE PADS	BE250422068	1
19	DISCO FRENO TRAS.EC250-2004 / EC250-2004 REAR BRAKE DISC	BE250422012	1
20	RADIO 192X4,5 LADO FRENO 18" / 18" BRAKE-SIDE SPOKE 192X4.5	BE250018015	18
21	RADIO 188X4,5 LADO CORONA 18" / 18" SPROCKET-SIDE SPOKE 188X4.5	BE250018014	18
22	CÁMARA TRASERA 18 CR / REAR AIR HOSE 18 CR	BE25618004	1
23	PROTECTOR BANDA TRASERA 18 / REAR RIM BAND	BE25618003	1
24	SOPORTE PINZA TRASERA / REAR CALIPER SUPPORT	BE250022120	1
25	TORNILLO GUIA / GUIDE SCREW	BE250022092	1
26	GUARDAPOLVO / DUST COVER	BE250022093	1
27	PINZA FRENO TRASERO / REAR BRAKE CALIPER	BE250322001	1
28	PASADOR PASTILLAS / BRAKE PADS PIN	BE250022094	1
29	PROTECCIÓN PASADOR / PIN PROTECTION	BE250022095	1
30	NEUMÁTICO TRAS.140/80-18 70R END.COMP.III / REAR TYRE 140/80-18 70R END.COMP.III	BE25618005	1
31	AGARRE CUBIERTA TRASERA / REAR TYRE HOLDER	BE250218008	1
32	TUERCA CON ARANDELA ESTRIADA M8 / NUT WITH LOCK WASHER M8	BE25818060	1
33	LLANTA TRAS.V TYPE 18X2.15 ENDURO 2005 / V TYPE 18X2.15 ENDURO 2005 RIM	BE250518011	1
34	CUBO RUEDA TRASERA / REAR WHEEL HUB	BE250318027	1
35	DISTANCIADOR RUEDA TRASERA INTE. / REAR WHEEL SPACER	R575700	1
36	COJINETE 6004 2RSR / BEARING 6004 2RSR	C160001	2
37	DISTANCIADOR RUEDA DELANTERA LARGO / LONG WHEEL SPACER	BE250318021	1
38	CORONA Z-48 ENDURO 2004 / Z-48 ENDURO 2004 SPROCKET	BE250418034	1
39	TUERCA AUTOBLOCANTE M8 ALTA / HIGH SELF-LOCKING SPROCKET NUT M8	T2108002	6
40	ALLEN CÓNICO 8X30 / CONIC ALLEN BOLT 8X30	T0408030	6
41	TUERCA AUTOBLOCANTE RUEDA TRASERA / REAR WHEEL SELF-LOCKING NUT	BE25618023	1



# Rueda trasera / Rear wheel

# GAS GAS

# FSE 2005

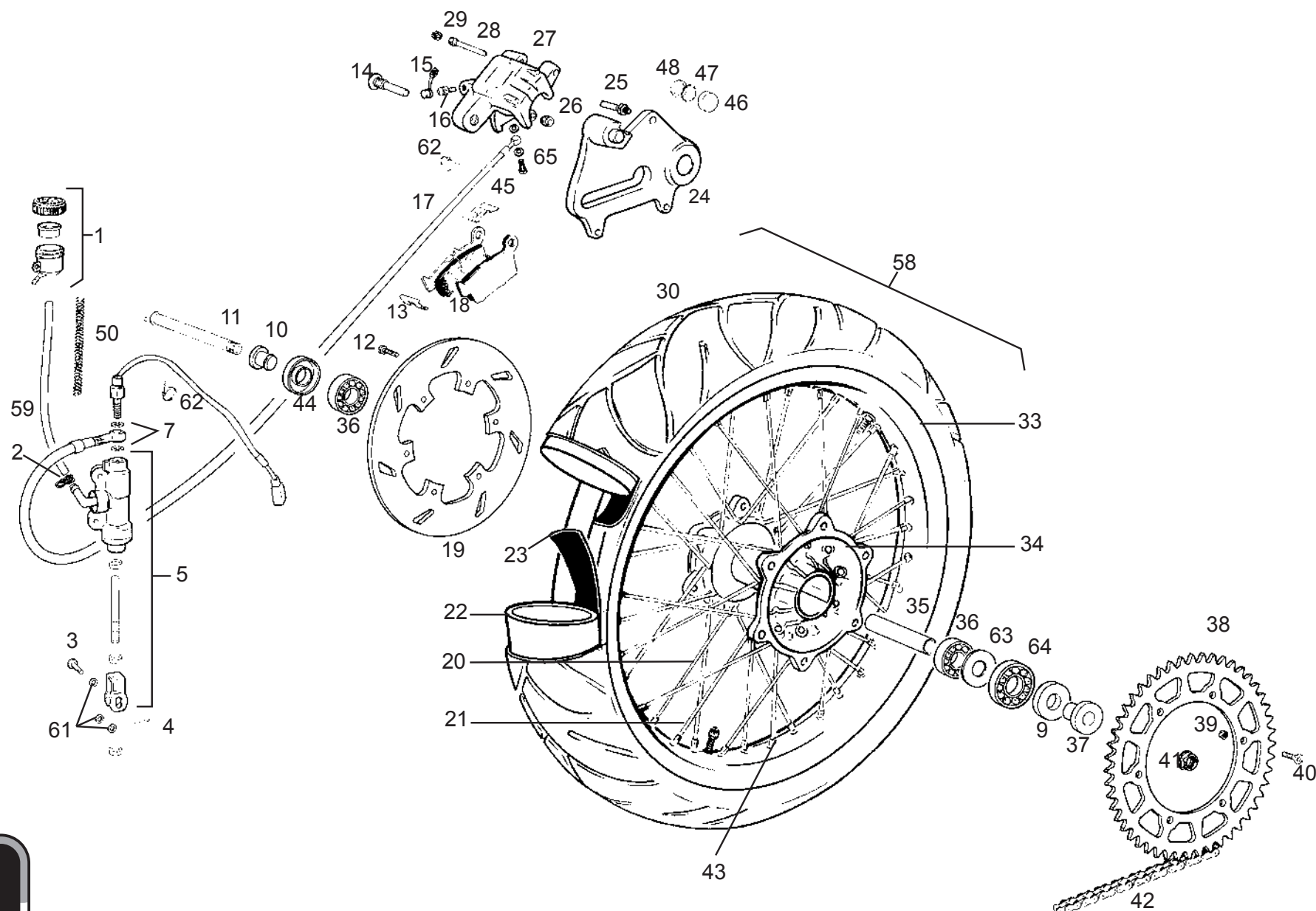


Nº	DESCRIPCIÓN / DESCRIPTION	FSE 2005	Cant.
42	CADENA REGINA / CHAIN REGINA	BE250310036	1
43	TUERCA RADIO TRASERO / REAR SPOKE NUT	BE250018016	36
44	RETÉN / SEAL	C160710	1
45	PLATINA (B) SUJ. PAST. TRASERAS / REAR BRAKE PADS HOLDER BRACKET (B)	BE250022091	2
46	PISTÓN PINZA FRENO TRASERO / REAR BRAKE CALIPER PISTON	BE250022044	2
47	TÓRICA PISTÓN PINZA FRENO TRASERO / REAR BRAKE CALIPER PISTON O'RING	BE250022047	2
48	RETÉN PISTÓN PINZA FRENO TRASERO / REAR BRAKE CALIPER PISTON SEAL	BE250022048	1
52	ULS 6X20 CON ARANDELA PLATA / 6X20 ULS WITH WASHER	T0556020	2
54	ARANDELA 8X16X1 / 8X16X1 WASHER	T4008018	3
58	RUEDA TRASERA / REAR WHEEL SET	BE250518100	1
60	ENGANCHE CADENA / CHAIN SPLIT LINK	BE250310066	1
61	BRIDA UNEX CORTA / SHORT CLAMP	BE25634010	3
70	ARANDELA INTERIOR CUBO / INTERIOR HUB WASHER	BE250318056	1
71	COJINETE RUEDA 6005-25R1 C3 / WHEEL BEARING	BE250318054	1
72	RACORD SUJ. LATIGUILLO 10X1,25 / HOSE HOLDER RACORD 10X1.25	BC25722006	1

# Rueda trasera / Rear wheel

# GAS GAS

# SM 2005

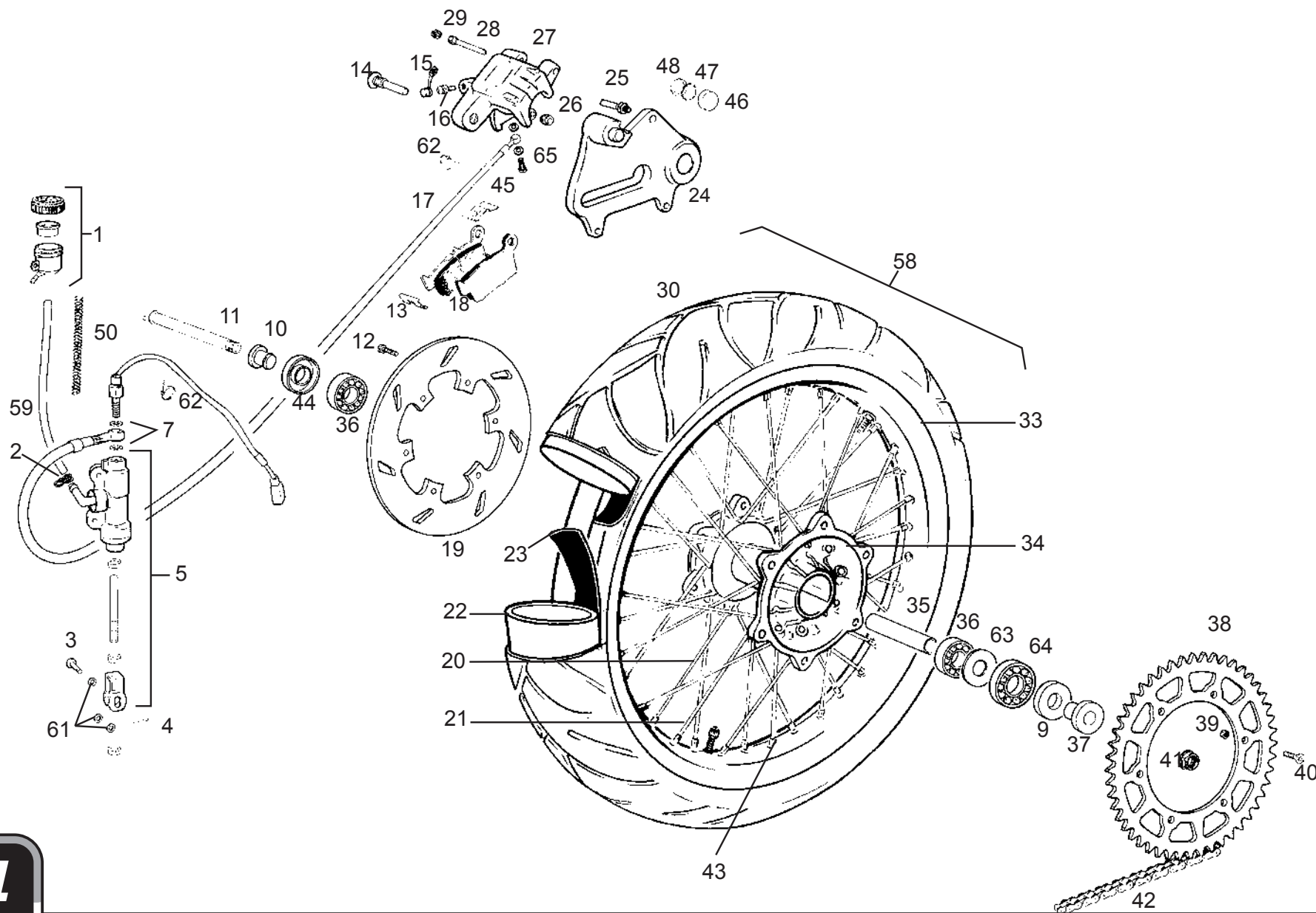


Nº	DESCRIPCIÓN / DESCRIPTION	SM	Cant.
1	DEPÓSITO LÍQUIDO DE FRENOS / BRAKE FLUID TANK	L200010	1
2	ABRAZADERA MUELLE M-11.6X12.03 ROSA / M-11.6 SPRING CLAMP	BE25610044	1
3	PASADOR 8X20 PEDAL FRENO / BRAKE PEDAL PIN 8X20	BE25622026	1
4	CLAVILLA PASADOR FRENO 2X20 / 2X20 BRAKE PEDAL PIN STOPPER	BE25622027	1
5	BOMBA FRENO TRASERO NISSIN R2MRC019 / R2MRC019 NISSIN REAR BRAKE PUMP R2MRC019	BE25622010	1
6	INTERRUPTOR 23.024/1 STOP BOMBA NISSIN / 23.024/1 NISSIN BRAKE PUMP STOPSWITCH	BE250034003/2	1
7	ARANDELA LATIGUILLO 10X14X1 / 10X14X1 HOSE WASHER	BE25622007	4
9	RETÉN RUEDA TRASERA / REAR WHEEL SEAL	BE250318055	1
10	DISTANCIADOR RUEDA TRASERA CORTO / SHORT REAR WHEEL SPACER	BE250018025	1
11	EJE RUEDA TRASERA / REAR WHEEL AXIS	BE25618020	1
12	HEXAGONAL 6X16 DISCO TRASERO / 6X16 REAR DISC BRAKE HEX. SCREW	BE250018029	6
13	PLATINA (A) SUJ. PASTILLAS TRASERAS / REAR BRAKE PADS HOLDER (A) BRACKET	BE250022090	1
14	TORNILLO SUJECCIÓN PINZA / CALIPER HOLDER SCREW	BE250022096	1
15	TAPÓN SANGRADOR / BLEEDER CAP	BE250022055	1
16	SANGRADOR / BLEEDER	BE250022060	1
17	LATIGUILLO FRENO TRASERO NISSIN / NISSIN REAR BRAKE HOSE	BE250022004	1
18	PASTILLAS DE FRENO TRASERO / REAR BRAKE PADS	BE250022068	1
19	DISCO FRENO TRASERO / REAR BRAKE DISC	BE250222012	1
20	RADIO 170X4 LADO FRENO / BRAKE-SIDE SPOKE 170X4	BE250118015SM	18
21	RADIO 168X4 LADO CORONA / SPROCKET-SIDE SPOKE 168X4	BE250118014SM	18
22	CÁMARA TRASERA 17 CG / REAR AIR HOSE 17 CG	BE250118004SM	1
23	PROTECTOR BANDA TRASERA 18 / 18 REAR RIM BAND	BE250118028SM	1
24	SOPORTE PINZA TRASERA / REAR CALIPER SUPPORT	BE250022120	1
25	TORNILLO GUIA / GUIDE SCREW	BE250022092	1
26	GUARDAPOLVO / DUST COVER	BE250022093	1
27	PINZA FRENO TRASERO CON SOPORTE EC2003 / EC2003 REAR BRAKE CALIPER	BE250322001	1
28	PASADOR PASTILLAS / BRAKE PADS PIN	BE250022094	1
29	PROTECCIÓN PASADOR / PIN PROTECTION	BE250022095	1
30	NEUMÁTICO TRASERO 150/60 ZR17 / 150/60 ZR17 REAR TYRE	BE250118005SM	1
33	LLANTA 2.15X18 / 2.15X18 RIM	BE250118011SM	1
34	CUBO RUEDA TRASERA / REAR WHEEL HUB	BE250318027	1
35	DISTANCIADOR RUEDA TRASERA INT. ALUMINIO / ALUMINIUM REAR WHEEL SPACER	R575700	1
36	COJINETE 6004 2RSR / 6004 2RSR BEARING	C160001	2
37	DISTANCIADOR RUEDA TRASERA LARGO / LONG WHEEL SPACER	BE250318021	2
38	CORONA Z-42 / Z-42 SPROCKET	BE250118034SM	1
39	TUERCA AUTOBLOCANTE M8 ALTA CORONA / M8 HIGH SELF-LOCKING SPROCKET NUT	T2108002	6
40	ALLEN CÓNICO 8X30 / 8X30 CONIC ALLEN BOLT	T0408030	6
41	TUERCA AUTOBLOCANTE RUEDA TRASERA / REAR WHEEL SELF-LOCKING NUT	BE25618023	1

Rueda trasera /  
Rear wheel

**GAS GAS**

**SM 2005**

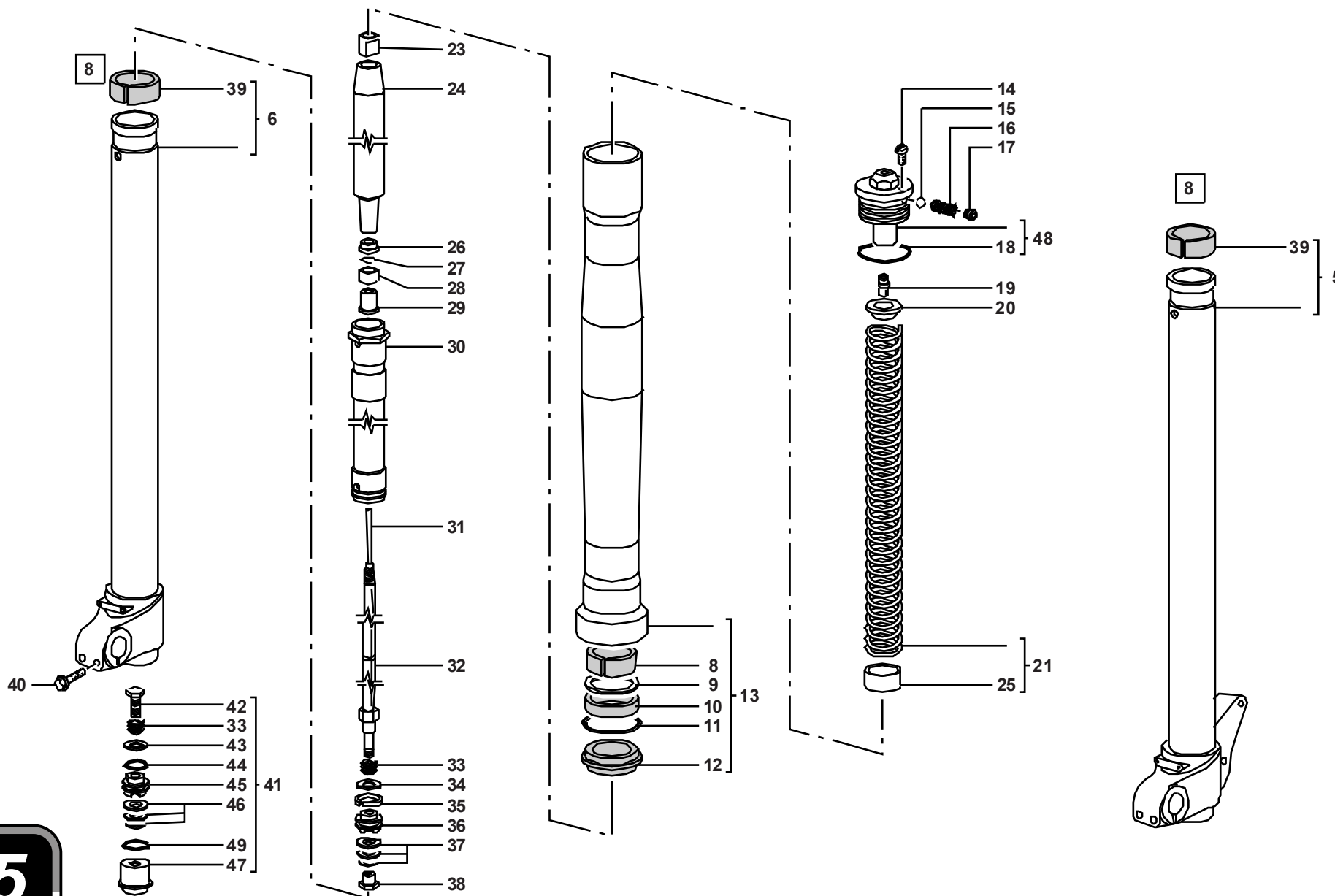


Nº	DESCRIPCIÓN / DESCRIPTION	SM	Cant.
42	CADENA 108 / 108 CHAIN	BE250110036SM	1
43	TUERCA RADIO TRASERA / REAR SPOKE NUT	BE250118016SM	36
44	RETÉN / SEAL	C160710	1
45	PLATINA (B) SUJECCIÓN PASTILLAS TRASERAS / REAR BRAKE PADS HOLDER BRACKET (B)	BE250022091	1
46	PISTÓN PINZA FRENO TRASERA / REAR BRAKE CALIPER PISTON	BE250022044	2
47	TÓRICA PISTÓN PINZA FRENO TRASERA / REAR BRAKE CALIPER PISTON O'RING	BE250022047	2
48	RETÉN PISTÓN PINZA FRENO TRASERA / REAR BRAKE CALIPER PISTON SEAL	BE250022048	2
50	MUELLE DESVAPORIZADOR / BREATHE SPRING	M150000	1
58	RUEDA TRASERA SM / SM REAR WHEEL SET	BE250318100SM	1
59	TUBO LÍQUIDO FRENO / BRAKE FLUID TUBE	BE250010116	1
61	ARANDELA 8X16X1 / 8X16X1 WASHER	T4008018	3
62	BRIDA UNEX CORTA 2,5X98 / 2,5X98 SHORT CLAMP	BE25634010	2
63	ARANDELA INTERIOR CUBO / INTERIOR HUB WASHER	BE250318056	1
64	COJINETE RUEDA 6005-25R1 C3 / 6005-25R1 WHEEL BEARING	BE250318054	1
65	RACORD SUJ. LATIGUILLO 10X1,25 / HOSE HOLDER RACORD 10X1.25	BC25722006	1

# Horquilla MARZOCCHI / MARZOCCHI Fork

# GAS GAS

# FSE 2005



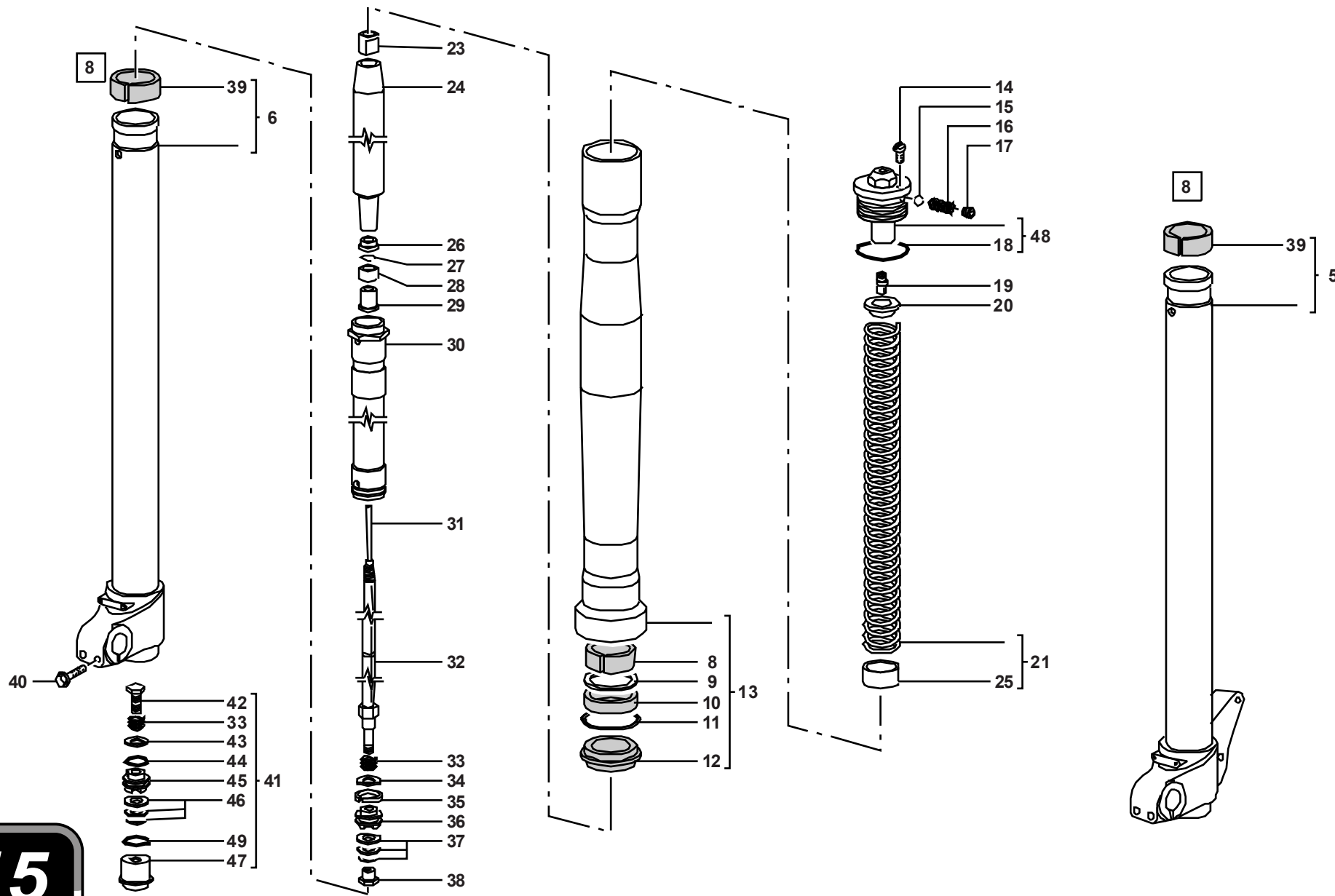


Nº	DESCRIPCIÓN / DESCRIPTION	FSE 2005	Cant.
5	BASE HORQUILLA IZQUIERDA / LEFT FORK BASE	BE250414143	1
6	BASE HORQUILLA DERECHA / RIGHT FORK BASE	BE250414142	1
8	CASQUILLO BARRA EXTERIOR / OUTER TUBE BUSHING	BE250314131	2
9	ANILLO DE CIERRE 58X46X3/ 58X46X3 CLOSE RING	BE250114133	2
10	RETÉN SUSPENSIÓN LUBRICADO 45X58X11 / 45X58X11 GREASED SUSPENSION SEAL	C240701	2
11	ANILLO DE CIERRE / CLOSE RING	BE25714132	2
12	GUARDAPOLVO / DUSTKEEPER	BE25714131	2
13	CTO. BARRA EXTERIOR / OUTER TUBE UNIT	BE250514110	2
14	TORNILLO M4X6 Y JUNTA TÓRICA / M4X6 BOLT AND O'RING	BE25714103	2
15	TÓRICA TAPÓN REGULACIÓN / REGULATION CAP O'RING	BE250114225	2
16	MUELLE TAPÓN REGULACIÓN / REGULATION CAP SPRING	BE250114226	2
17	TORNILLO TAPÓN REGULACIÓN M4X4 / M4X4 REGULATION CAP BOLT	BE250114227	2
18	TÓRICA / O'RING	BE250114104	2
19	CASQUILLO REGULACIÓN / REGULATION BUSHING	BE250114112	2
20	CASQUILLO GUIA MUELLE / SPRING GUIDE BUSHING	BE250114107	2
21	KIT MUELLE Y CASQUILLO / BUSHING AND SPRING SET	BE25014228	1
23	TUERCA BLOQUEADOR M12X25 / M12X25 LOCKER NUT	BE250114242	2
24	TUBO GUIA MUELLE / SPRING GUIDE TUBE	BE250514229	2
25	TOPE PRECARGA 40X3X58 / 40X3X58 PRELOAD HOLDER	BE250514109	2
26	TOPE DE FONDO / BOTTOM HOLDER	BE250114230	2
27	ANILLO RETENCIÓN 13X1 / 13X1 HOLDER RING	BE250114231	2
28	TOPE FONDO USD D45 / USD D45 BOTTOM HOLDER	BE250514232	2
29	SOPORTE TOPE FONDO USD D45 / USD D45 CAP BOTTOM HOLDER	BE250514133	2
30	CARTUCHO AMORTIGUADOR / SUSPENSION CARTRIDGE	BE250514114	2
31	VARILLA INTERNA / INTERNAL PIN	BE250114234	2
32	CTO. VARILLA / PIN SET	BE250114116	2
33	CASQUILLO VARILLA / PIN BUSHING	BE250114118	4
34	JUNTA 22X8.1X0.3 / 22X8.1X0.3 GASKET	BE250514235	2
35	SEGMENTO PISTÓN / PISTON SEGMENT	BE250114120	2
36	PISTÓN SUSPENSIÓN / SUSPENSION PISTON	BE250514119	2
37	ARANDELA SUSPENSIÓN 15X8.1X0.1 / 15X8.1X0.1 SUSPENSION WASHER	BE250114248	2
37	ARANDELA SUSPENSIÓN 19X8.1X0.1 / 19X8.1X0.1 SUSPENSION WASHER	BE250114248-1	2
37	ARANDELA SUSPENSIÓN 17X8.1X0.1 / 17X8.1X0.1 SUSPENSION WASHER	BE250114248-3	2
37	ARANDELA SUSPENSIÓN 21X8.1X0.1 / 21X8.1X0.1 SUSPENSION WASHER	BE250514248-4	2
38	VÁLVULA BASE M6X1 / M6X1 BASE VALVE	BE250114126	2
39	CASQUILLO INTERIOR BOTELLA / INNER BUSHING	BE250114128	2
40	TORNILLO 6X30 DIN 6921 8.8 / 6X30 DIN 6921 8.8 BOLT	BE250114144	4
41	GRUPO AMORTIGUADOR / SUSPENSION GROUP	BE250514124	2

# Horquilla MARZOCCHI / MARZOCCHI Fork

# GAS GAS

# FSE 2005

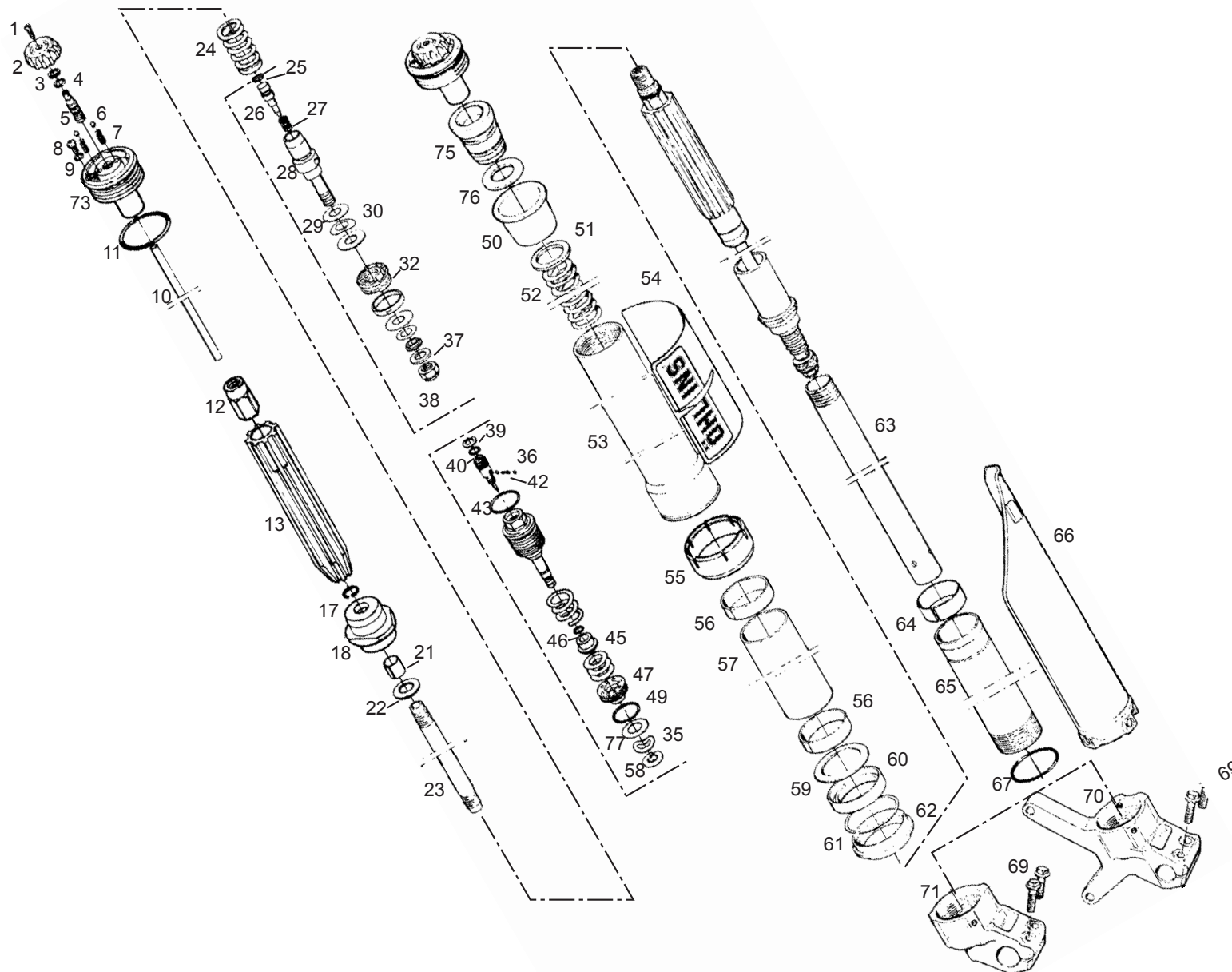


Nº	DESCRIPCIÓN / DESCRIPTION	FSE 2005	Cant.
42	CASQUILLO M6X0.75 / M6X0.75 BUSHING	BE250514244	2
43	JUNTA 22X8.1X0.3 C72 BLU / 22X8.1X0.3 C72 BLU GASKET	BE250514235	2
44	TÓRICA 2087 D21.95 S1.78 / 2087 D21.95 S1.78 O`RING	BE250114246	2
45	PISTÓN DE COMPRESIÓN / COMPRESSION PISTON	BE250514247	2
46	JUNTA 15X8.1X0.1 / 15X8.1X0.1 GASKET	BE250114248	2
46	JUNTA 20X8.1X0.1 / 20X8.1X0.1 GASKET	BE250114248-4	2
46	JUNTA 12X8.1X0.1 / 12X8.1X0.1 GASKET	BE250114248-6	4
46	JUNTA 13X8.1X0.1 / 13X8.1X0.1 GASKET	BE250114248-9	2
46	JUNTA 16X8.1X0.1 / 16X8.1X0.1 GASKET	BE250114248-8	2
46	JUNTA 18X8.1X0.1 / 18X8.1X0.1 GASKET	BE250114248-10	2
46	JUNTA 11X8.1X0.15 / 11X8.1X0.15 GASKET	BE250114249-11	2
46	JUNTA 23X8.1X0.15 / 23X8.1X0.15 GASKET	BE250114248-12	4
47	VÁLVULA DE AJUSTE / ADJUSTING VALVE	BE250514249	2
48	CTO. TAPÓN REGULACIÓN / REGULATION CAP SET	BE250514105	2
49	TÓRICA 2100 D25.1 S1.78 / 2100 D25.1 S1.78 O`RING	BE250114250	2

# Suspensión ÖHLINS / ÖHLINS fork

# GAS GAS

# FSE 2005

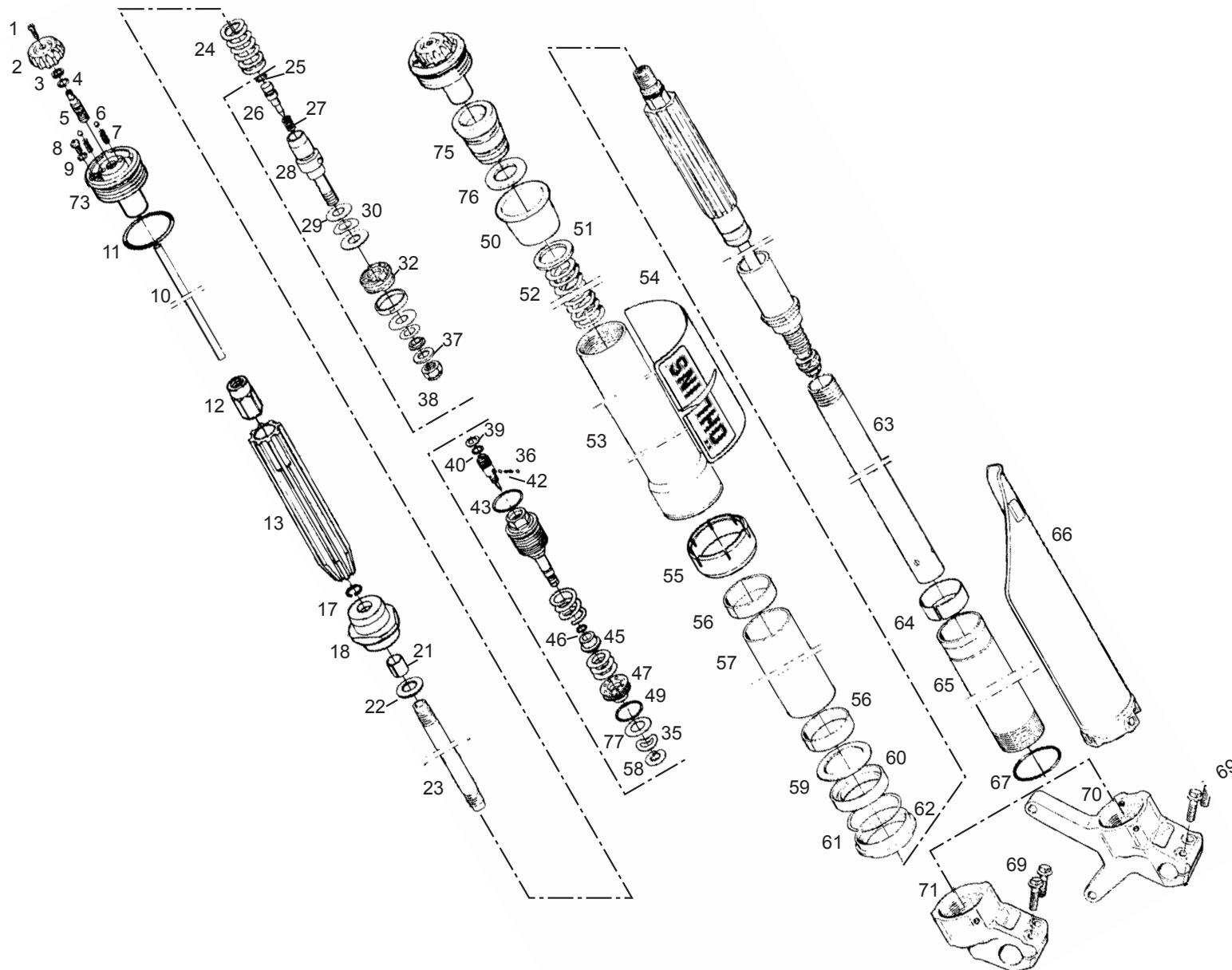


Nº	DESCRIPCIÓN / DESCRIPTION	FSE 2005	Cant.
1	TORNILLO / SCREW	BE250314100OH	2
2	RODILLO REGULACIÓN / ADJUSTMENT KNOB	BE250314101OH	2
3	CIRCLIP / CIRCLIP	BE250314224OH	2
4	TORICA / O'RING	BE250314103OH	2
5	TORNILLO DE AJUSTE / ADJUSTMENT SCREW	BE250314112OH	2
6	BOLA / BALL	BE250314250OH	4
7	MUELLE / SPRING	BE250314226OH	4
8	TORNILLO / SCREW	BE250114100OH	2
9	TORICA / O'RING	BE250114104OH	2
10	VARILLA DE AJUSTE / ADJUSTMENT ROD	BE250314116OH	2
11	TORICA / O-RING	BE250314104OH	2
12	GUIA VARILLA / NEEDLE HOUSING	BE250314220OH	2
13	GUIA FUNDA / GUIDING SLEEVE	BE250314230OH	2
17	CIRCLIP / CIRCLIP	BE250114252OH	2
18	CENTRADOR / CYLINDER TUBE CAP	BE250314219OH	2
21	GLACIER / BUSHING	BE250114253OH	2
22	ARANDELA / WASHER	BE250114216OH	2
23	EJE / SHAFT	BE250314178OH	2
24	MUELLE / SPRING	BE250114254OH	2
25	TORICA / O-RING	BE250114255OH	1
26	AGUJA DE EXTENSIÓN / REBOUND NEEDLE	BE250114112OH	1
27	MUELLE / SPRING	BE250114256OH	1
28	SOPORTE PISTON / PISTON HOLDER	BE250114195OH	1
29	ARANDELA REGLAJE / SHIM WASHER	BE250114202OH	1
30	ARANDELA ONDULADA / WAVE WASHER	BE250114203OH	1
32	PISTON REGLAJE / REBOUND PISTON	BE250114200OH	1
33	ARO DEL PISTON / PISTON RING	BE250114207OH	1
35	ARANDELA ONDULADA / WAVE WASHER	BE250314203OH	1
37	ARANDELA / WASHER	BE250114213OH	1
38	TUERCA CIERRE / LOCK NUT	BE250114202OH	1
39	CIRCLIP / CIRCLIP	BE250114214OH	1
40	TÓRICA / O-RING	BE250114257OH	1
43	TORICA / O-RING	BE250114259OH	1
45	POPPET VALVE	BE250314248OH	1
46	TORICA / O'RING	BE250314264OH	1
47	ASIENTO VALVULA / VALVE SEAT	BE250114247OH	1
49	TORICA / O'RING	BE250314261OH	1
50	SOPORTE DEL MUELLE / SPRING SUPPORT	BE250114262OH	2
51	ARANDELA PRECARGA / PRELOAD WASHER	BE250114107OH	2

# Suspensión ÖHLINS / ÖHLINS fork

# GAS GAS

# FSE 2005



Nº	DESCRIPCIÓN / DESCRIPTION	FSE 2005	Cant.
52	MUELLE HORQUILLA DELANTERA / SPRING FRONT FORK	BE250114108OH	2
53	BOTELLA / FORK LEG OUTER	BE250114206OH	2
54	ADH. PROTECTOR ÖHLINS / COVER STICKER ÖHLINS	BE250338042OH	2
55	GUIDE SLEEVE	BE250314182OH	2
56	CASQUILLO INFERIOR / BUSHING LOWER	BE250114134OH	4
57	SEPARADOR / SLEEVE	BE250114109OH	2
58	CIRCLIP / CIRCLIP	BE250314202OH	1
59	ARANDELA / WASHER	BE250114133OH	2
60	RETÉN / SEAL	BE250114212OH	2
61	CIRCLIP / CIRCLIP	BE250114132OH	2
62	GUARDAPOLVO / SCRAPER	BE250114131OH	2
63	CARTUCHO CILINDRICO / CILINDER TUBE CARTRIDGE	BE250114114OH	2
64	CASQUILLO SUPERIOR / BUSHING UPPER	BE250114111OH	2
65	BARRA SUSPENSION / FORK LEG INNER	BE250114110OH	2
66	PROTECTORES HORQUILLA / COVER FORK LEG PAIR	BC250114040	1
67	TÓRICA / O-RING	BE250114263OH	2
69	TORNILLO BASE HORQUILLA / BOLT FORK BOTTOM	BE250114209OH	4
70	BASE BOTELLA IZQUIERDA / FORK BOTTOM LEFT	BE250414143OH	1
71	BASE BOTELLA DERECHA / FORK BOTTOM RIGHT	BE250414142OH	1
72	CTO. REGULACION EXTENSION / BASE VALVE ASSY	BE250314267OH	1
73	TAPON / TOP CAP	BE250314105OH	2
74	CTO. REGULACION COMPRESION / COMPRESSION REGULATOR SET	BE250314268OH	1
75	BUMP RUBBER SLIDE WASHER	BE250314265OH	2
76	SLIDE WASHER	BE250314266OH	2
77	ARANDELA / SHIM	BE250314245OH	1
78	CTO. SUSPENSION OHLINS 2004 / 2004 OHLINS SUSPENSION SET	BE250414000OH	1



**DESPIECE  
PART LIST**  
**FSE / EC  
SM**

**400  
450**

**GAS GAS**

RECOMIENDA EL USO DE ACEITE:



Ref.: PU010538011

**Fecha de impresión: ABRIL 2005**

Los componentes aquí expuestos y referenciados se basan en los datos existentes en la fecha de impresión de este manual. GAS GAS Motos, S.A. se reserva el derecho de efectuar cambios y/o modificaciones sin previo aviso.