

**DESPIECE  
PART LIST**

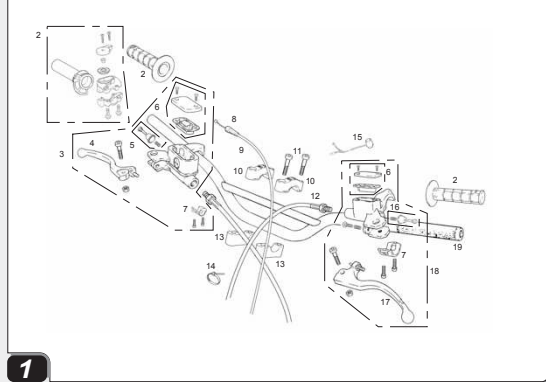
**MC / 65**

**20006**

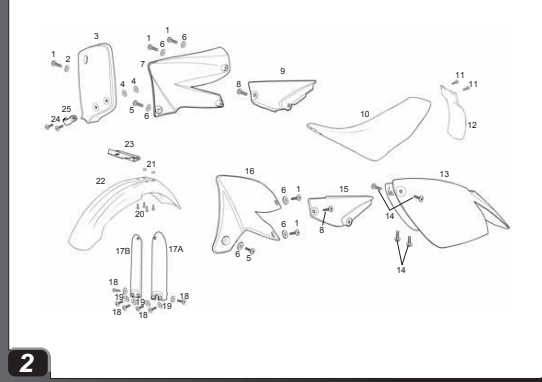
**FRAGILE**

# CHASIS

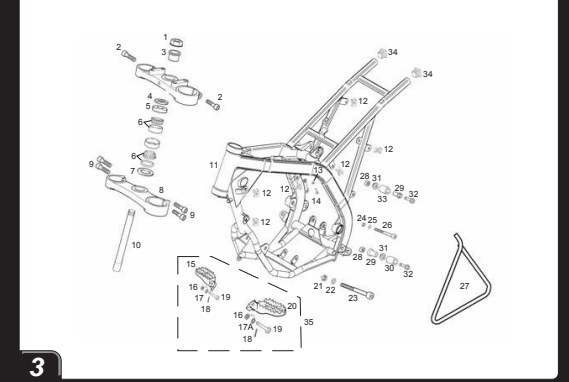
Manillar / Handlebar **GASGAS** MC 65 '06



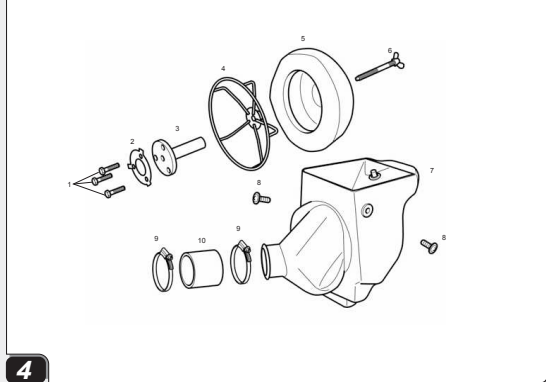
Plásticos / Plastics **GASGAS** MC 65 '06



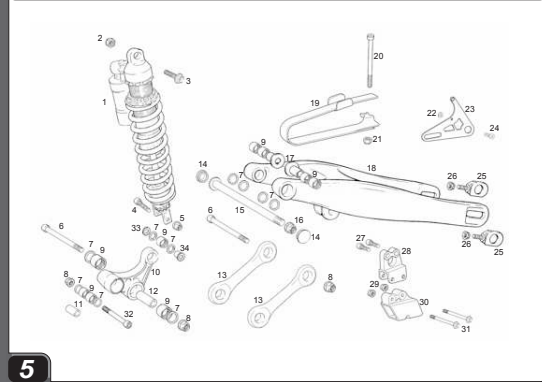
Chasis / Frame **GASGAS** MC 65 '06



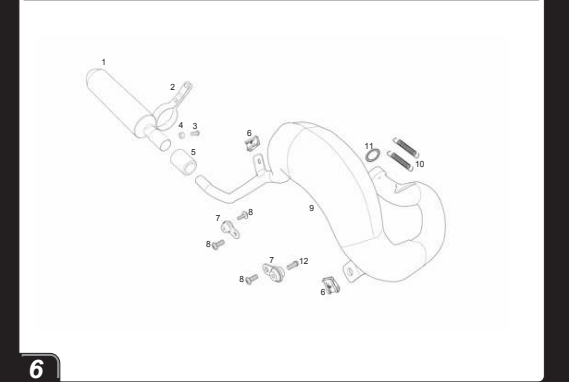
Chasis / Frame **GASGAS** MC 65 '06



Basculante / Swingarm **GASGAS** MC 65 '06



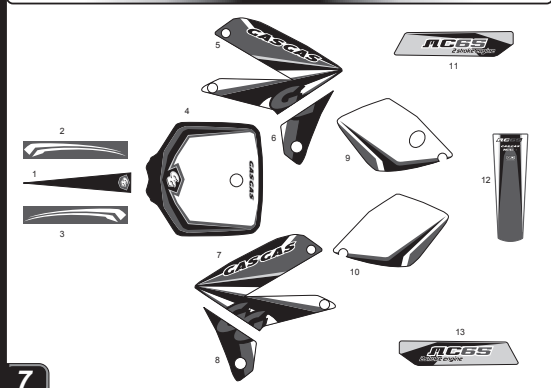
Tubo escape / Exhaust **GASGAS** MC 65 '06



# DESPIECE

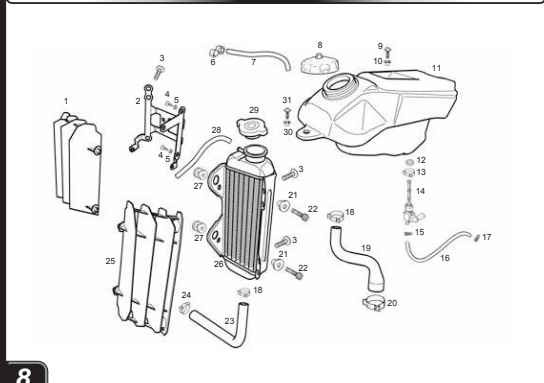
# FRAME

Adhesivos / Decals **CASCAS** MC 65 '06



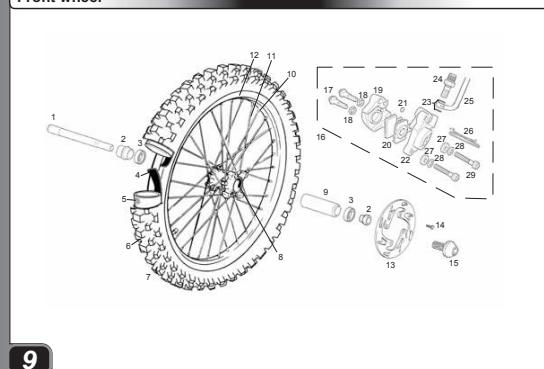
7

Depósito / Fuel tank **CASCAS** MC 65 '06



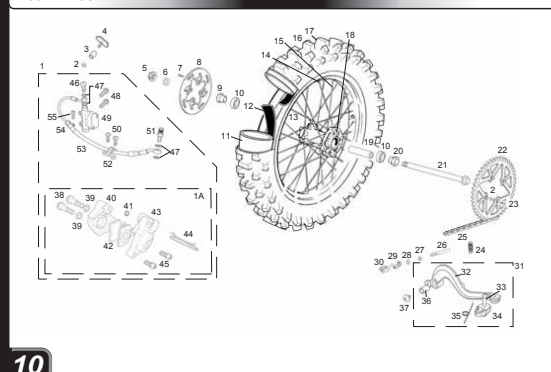
8

Rueda delantera / Front wheel **CASCAS** MC 65 '06



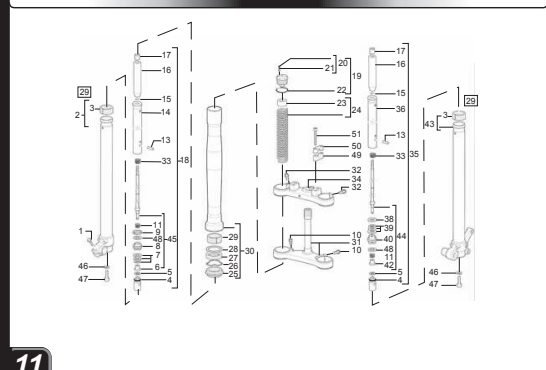
9

Rueda trasera / Rear wheel **CASCAS** MC 65 '06

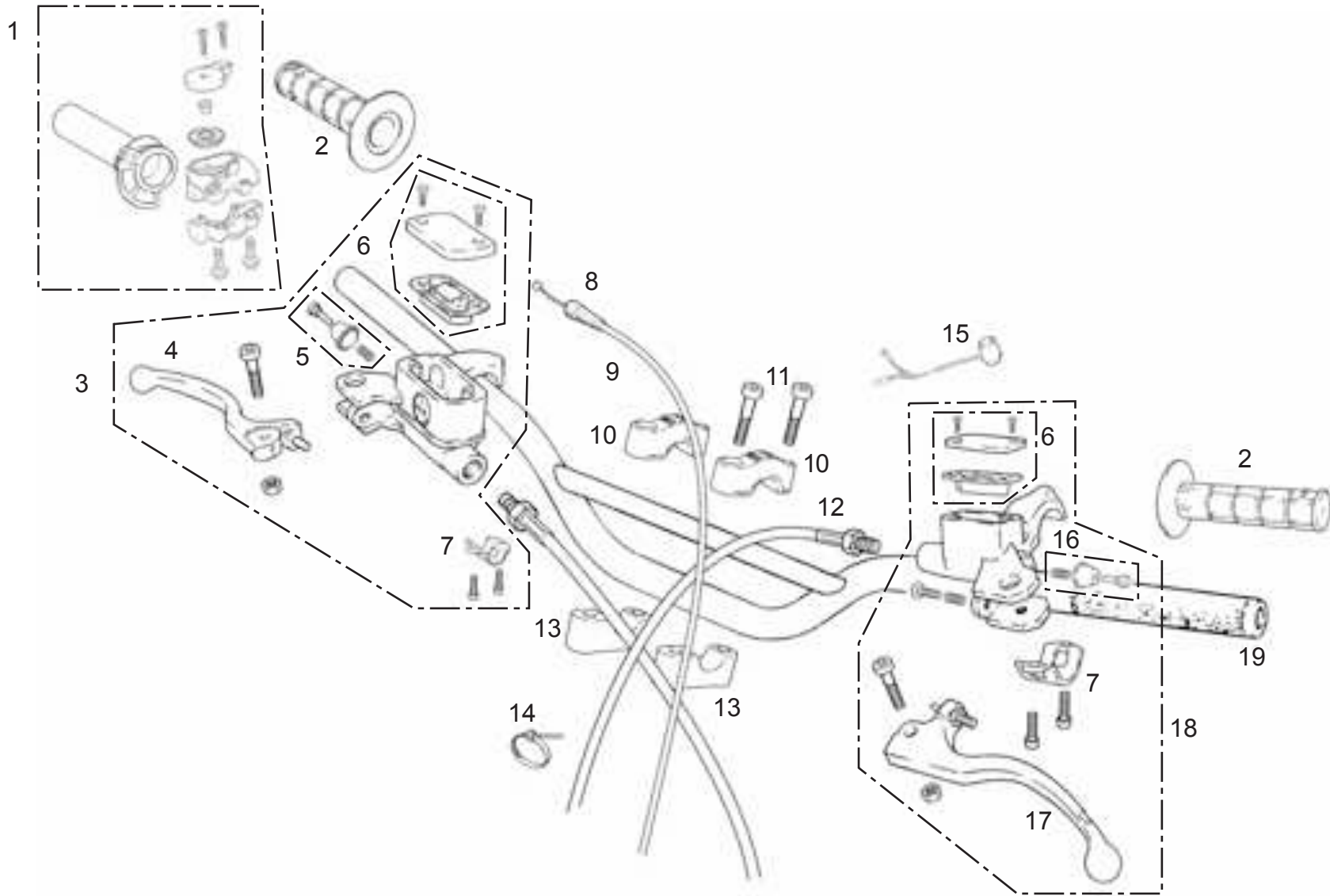


10

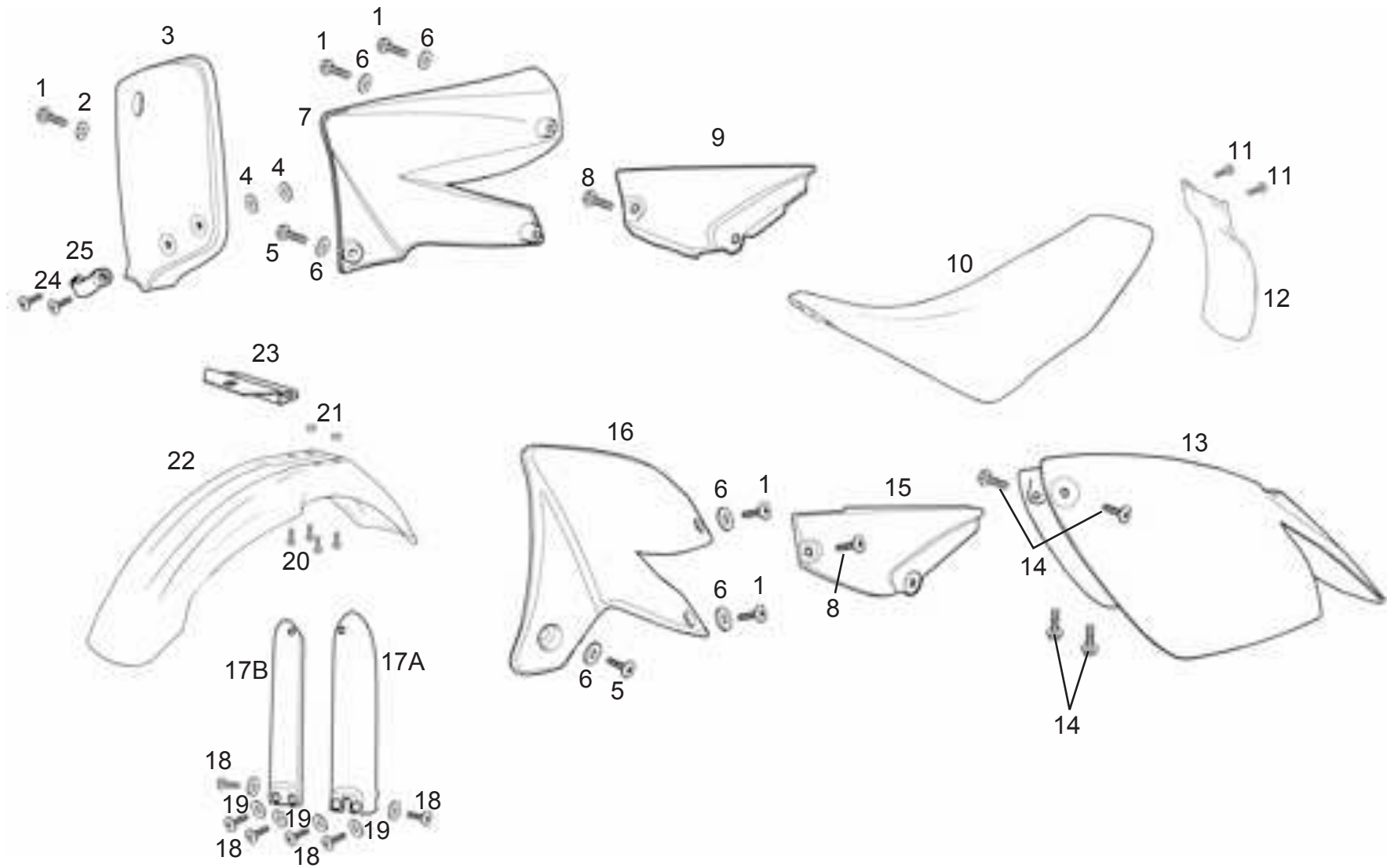
Suspension MARZOCCHI / **CASCAS** MC 65 '06  
MARZOCCHI Front Fork



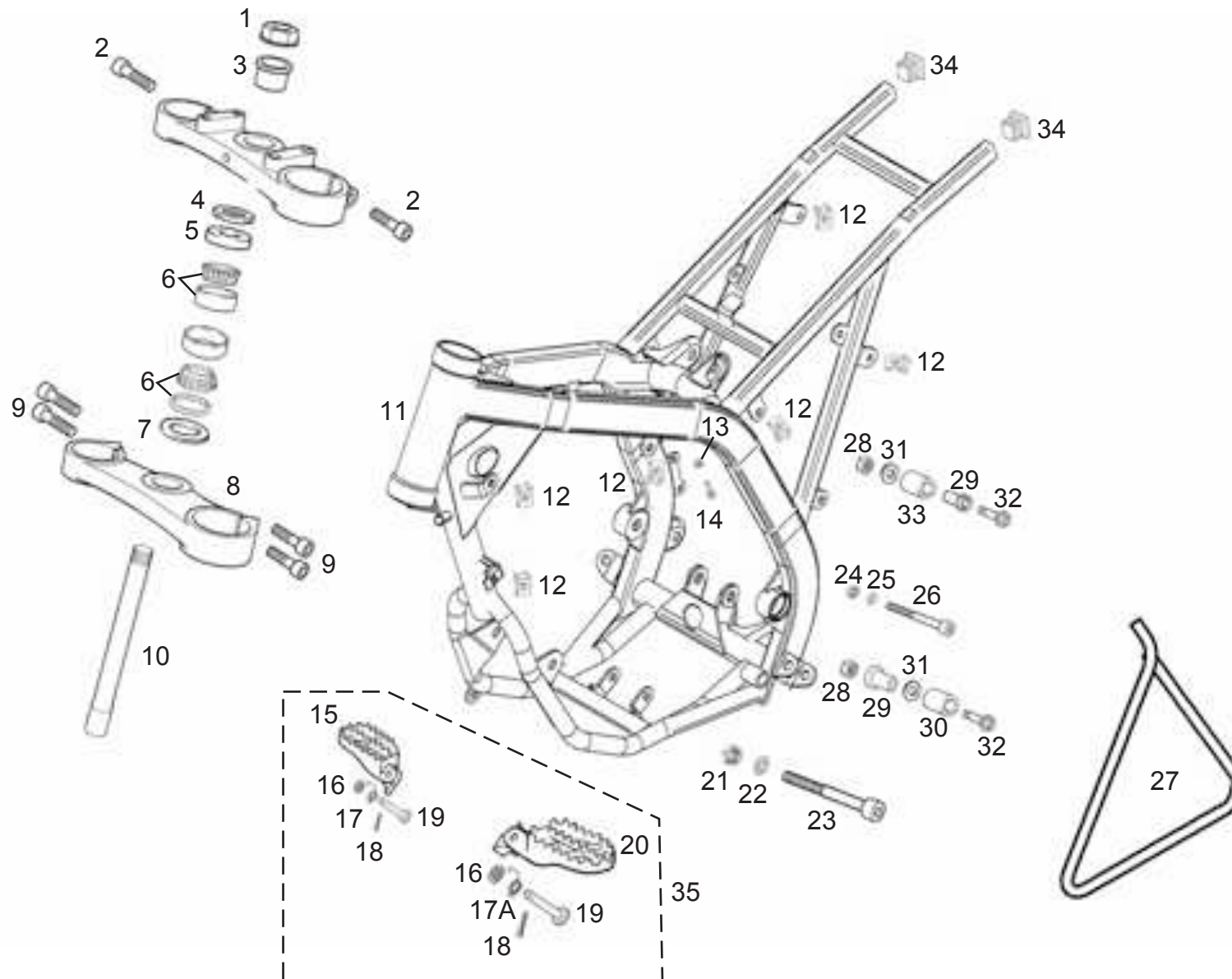
11



Nº	DESCRIPCION / DESCRIPTION	MC 65 '06	Cant.
1	PUÑO MANDO GAS / CPT. TWIST GRIP	BE25724007	1
2	JUEGO EMPUÑADURAS EC 250-2002 / EC 250-2002 HANDLEBAR GRIP (PAIR)	BE250236002	1
3	CTO.FRENO DELANTERO CROSS 65cc / CROSS 65cc FRONT BRAKE KIT	BIC060522108CT	1
4	MANETA FRENO AJP 93 PLATA / BRAKE LEVER TRIAL	R390002PL	1
5	KIT BOMBA FRENO / BRAKE PUMP SET	116,00,820C	1
6	KIT TAPA BOMBA / COVER PUMP SET	190,99,177	2
7	SOPORTE BOMBA EMBRAGUE / CLUTCH PUMP SUPPORT	196,00,011,CH	2
8	GUARDAPOLVO PUÑO GAS / THROTTLE CABLE DUST COVER	G600000	1
9	CABLE DE GAS CROSS 65cc / CROSS 65cc THROTTLE CABLE	BIC060524008	1
10	BRIDA MANILLAR / HANDLEBAR CLAMP		2
11	ALLEN 8X55 / 8X55 ALLEN SCREW	T0308055	4
12	LATIGUILLO EMBRAGUE CROSS 65cc / CROSS 65cc CLUTCH TUBE	BIC060522003	1
13	BRIDA INFERIOR MANILLAR / LOWER HANDLEBAR CLAMP		2
14	BRIDA UNEX 4.8X20 / UNEX 4.8X20 CLAMP	BE25634009	1
15	BOTON DE PARO / STOP BUTTON	BIC060534055	1
16	KIT BOMBA EMBRAGUE / CLUTCH PUMP SET		1
17	MANETA EMBRAGUE / CLUTCH LEVER		1
18	BOMBA EMBRAGUE ACEITE / CLUTCH PUMP	BT280422009	1
19	MANILLAR / HANDLEBAR ASSY.	BIC060524001	1

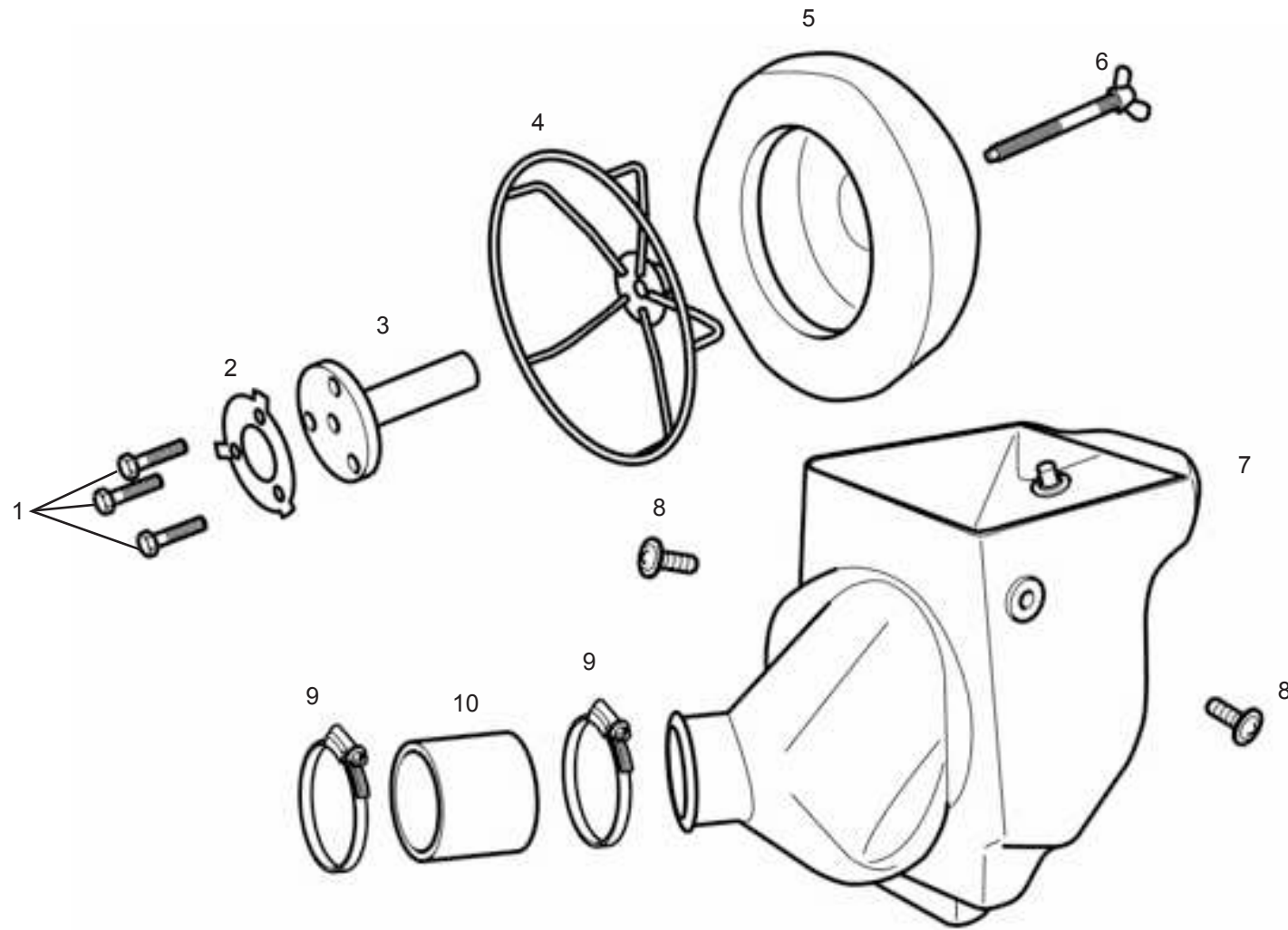


Nº	DESCRIPCION / DESCRIPTION	MC 65 '06	Cant.
1	TORNILLO ESPECIAL 6X14 / 6X14 SPECIAL SCREW	T0206014	3
2	ARANDELA PLANA 6.5X16X1.5 / 6.5X16X1,5 LOWER WASHER	T4006016	1
3	PLACA CROSS / CROSS PLATE	BIC060520020CT	1
4	TUERCA CON ARANDELA M6 / M6 NUT WITH WASHER	T2206000	2
5	TORNILLO ESPECIAL 6X16 8.8 ZINCADO / SPECIAL SCREW	T0206016	2
6	CASQUILLO TAPA RADIADOR ALUMINIO / ALUMINIUM RADIATOR COVER BUSHING	BE250032060	6
7	TAPA RADIADOR DERECHA / RIGHT RADIATOR CAP	BIC060520012	1
8	ULS 6X16 CON ARANDELA NEGRO / 6X16 BLACK ULS WITH WASHER	T0556016	2
9	SEMITAPA LATERAL DERECHA / RIGHT SIDE SUB-COVER	BIC060520037	1
10	SILLIN CROSS 65cc / CROSS 65cc SEAT	BIC060510015	1
11	TORNILLOS		2
12	PROTECTOR SUSPENSION / SUSPENSION PROTECTION	BIC060520008	1
13	GUARDABARROS TRASERO / REAR FENDER	BIC060520007CT	1
14	ULS 6X20 CON ARANDELA PLATA / 6X20 ULS WITH WASHER	T0556020	4
15	SEMITAPA LATERAL IZQUIERDA / LEFT SIDE COVER	BIC060520038	1
16	TAPA RADIADOR IZQUIERDA / LEFT RADIATOR CAP	BIC060520013	1
17A	PROTECTOR HORQUILLA DERECHO / RIGHT COVER FORK LEG PAIR	BIC060514040R	1
17B	PROTECTOR HORQUILLA IZQUIERDO / LEFT COVER FORK LEG PAIR	BIC060514040L	1
18	TORNILLO ULS 6x12 / 6x12 ULS BOLT		6
19	TUERCA CON ARANDELA M6 / M6 FLANGE NUT	T2206000	6
20	TORNILLO ESPECIAL 6x20 / 6x20 SPECIAL SCREW	T0606020	4
21	CASQUILLO GUARDABARROS CON VOLONA / FRONT FENDER BUSHING	BE250014118	2
22	GUARDABARROS DELANTERO / FRONT FENDER	BIC060520006CT	1
23	SOPORTE PLACA PORTANUMEROS / CROSS PLATE SUPPORT	BIC060520032	1
24	TORNILLO NEGRO ULS 6X16 / 6X16 ULS SCREW	T0506016N	2
25	GRAPA LATIGUILLO / HOSE CLAMP	BC250220009	1

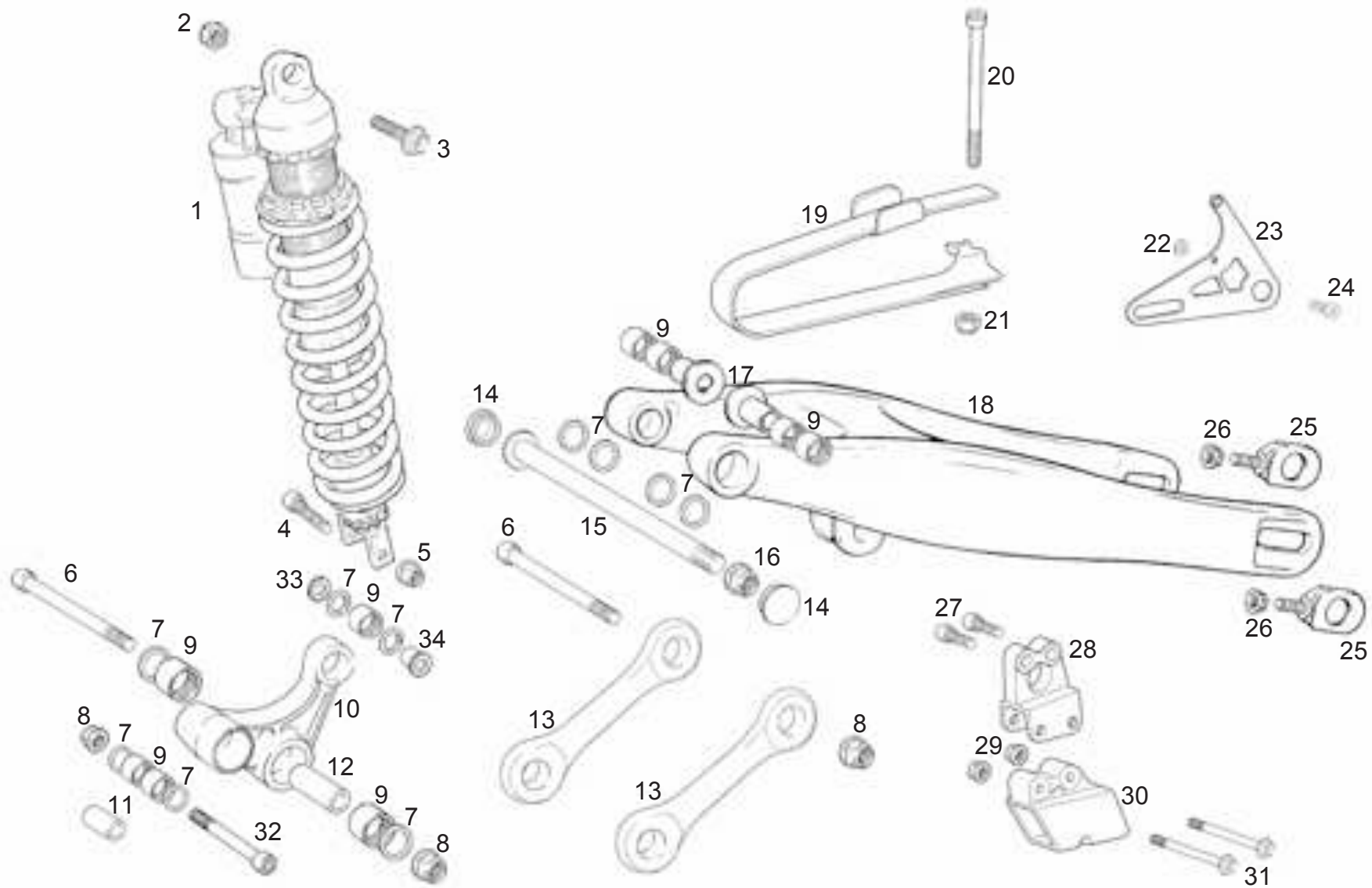




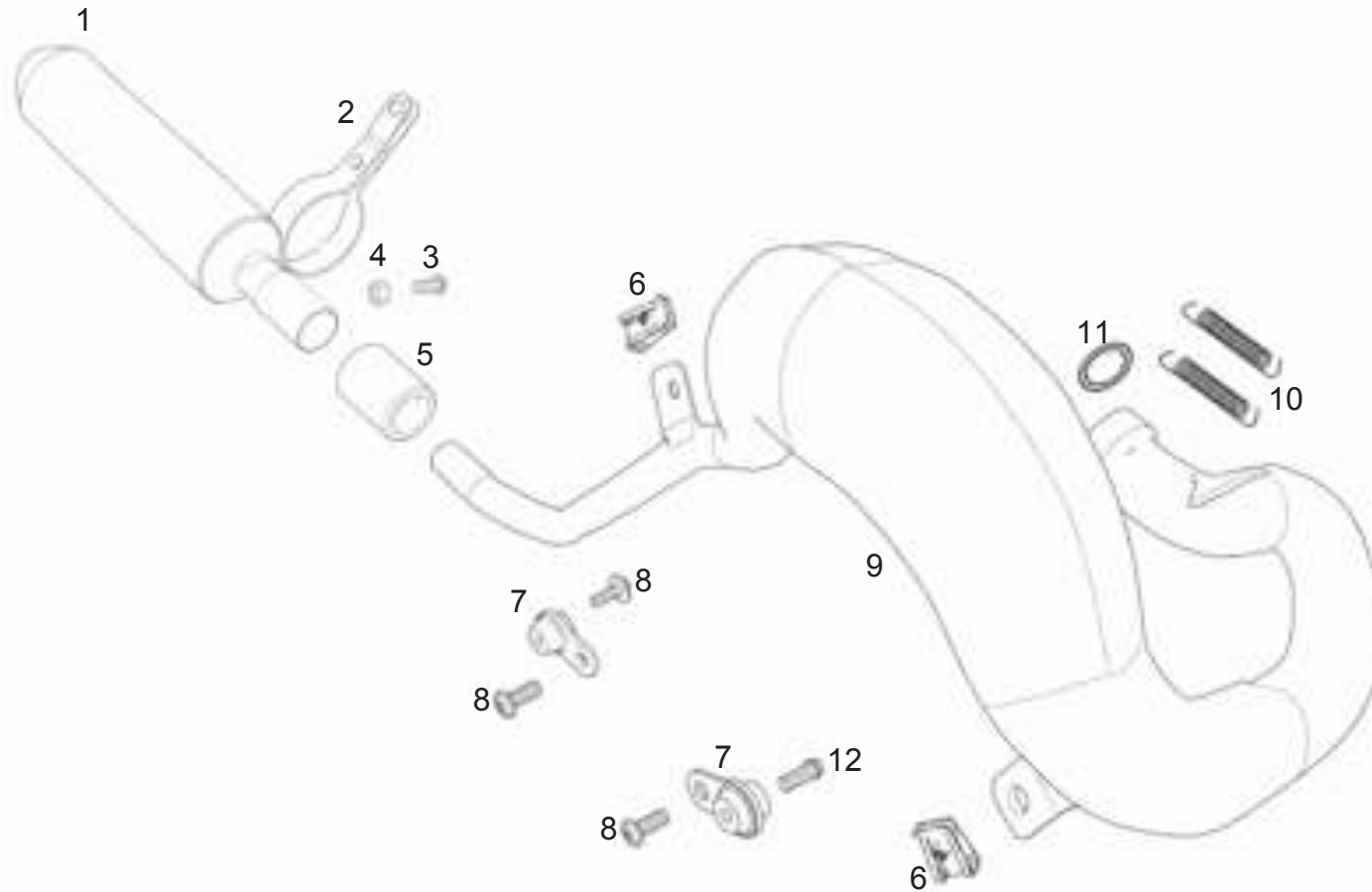
Nº	DESCRIPCION / DESCRIPTION	MC 65 '06	Cant.
1	TUERCA DIRECCIÓN / STEERING SHAFT NUT	BIC060510030	1
2	ALLEN 8X30 / 8X30 ALLEN BOLT	T0208020	2
3	CASQUILLO (Æ 20 x Æ 24 x 18) / (Æ 20 x Æ 24 x 18) BUSHING		1
4	TUERCA INFERIOR DIRECCIÓN CROSS 65cc / NUT UNDER TOP CLAMP	BIC060510029	1
5	GURADAPOLVO COJINETES DIRECCIÓN / BEARING STEERING DUST COVER	BEP250210026	1
6	COJINETE DIRECCIÓN URBXA 32004 / BEARING STEERING	BT280210008	2
7	TÓRICA DIRECCIÓN 37X2.5 ENDUPAMP 250 / O´RING STEERING	BEP250210012	1
8	ARANDELA TÓRICA DIRECCIÓN ZINC 42X20X1 / 42X20X1 STEERING WASHER	BT280210026	1
9	ALLEN 6X30 / 6X30 ALLEN BOLT	T0306030	4
10	EJE DIRECCIÓN CROSS 65cc / AXLE STEERING	BIC060514003	1
11	CHASIS CROSS 65cc 2005 / 2005 CROSS 65cc FRAME	BIC060510000	1
12	TUERCA NUT M6 RÁPIDA / M6 FAST LOCK NUT	T2606000	6
13	TUERCA M6 / M6 NUT	T2006001	1
14	HEXAGONAL 6X10 / 6X10 HEXAGONAL	T0106010	1
15	ESTRIBO DERECHO / RIGHT FOOTREST	BE250010002	1
16	ARANDELA / WASHER		2
17	MUELLE ESTRIBO DERECHO / RIGHT FOOTREST SPRING	BE25610037	1
17A	MUELLE ESTRIBO IZQUIERDO / LEFT FOOTREST SPRING	BE25610038	1
18	CLAVIJA ZINC / CINC PIN		2
19	CASQUILLO ESTRIBO / FOOTREST BUSHING		2
20	ESTRIBO IZQUIERDO / LEFT FOOTREST	BE250010003	1
21	TUERCA/ SCREW		1
22	ARANDELA / WASHER		1
23	TORNILLO ALLEN / ALLEN BOLT		1
24	TUERCA M8 AUTOBLOCANTE / SCREW	T2208002	1
25	ARANDELA (Æ 8 x 15,5 x 1,5) / (Æ 8 x 15,5 x 1,5) WASHER		1
26	TORNILLO ALLEN (Æ 8 x 90) / (Æ 8 x 90) ALLEN BOLT	T0308090	1
27	CABALLETE / SIDE STAND BRACKET	BIC060512010	1
28	TUERCA M8 AUTOBLOCANTE BAJA / LOW M8 SELF-LOCKING NUT	T2108001	2
29	CASQUILLO / BUSHING	BE25612016	2
30	RODILLO GUÍA CADENA / UPPER CHAIN ROLL	BE25610032	1
31	ARANDELA 8X20X1,5 / 8X20X1,5 WASHER	T4008020	2
32	TORNILLO ESPECIAL / SPECIAL SCREW	T0208045	2
33	RODILLO GUÍA CADENA / UPPER CHAIN ROLL	BE25610014	1
34	TAPÓN COLA CHASIS / FRAME TAIL CAP	BIC060511005	2
35	CONJUNTO ESTRIBOS DERECHO E IZQUIERO/ LEFT AND RIGHT FOOTREST SET	BE250510002CT	1



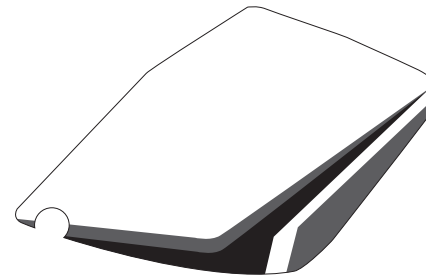
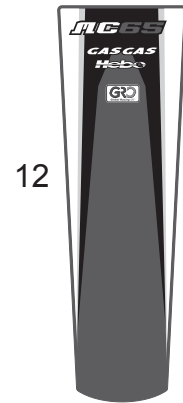
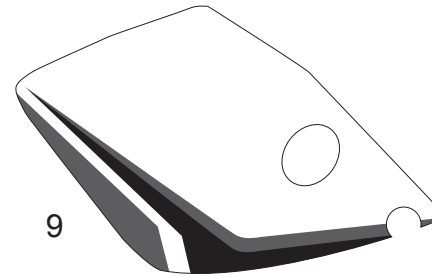
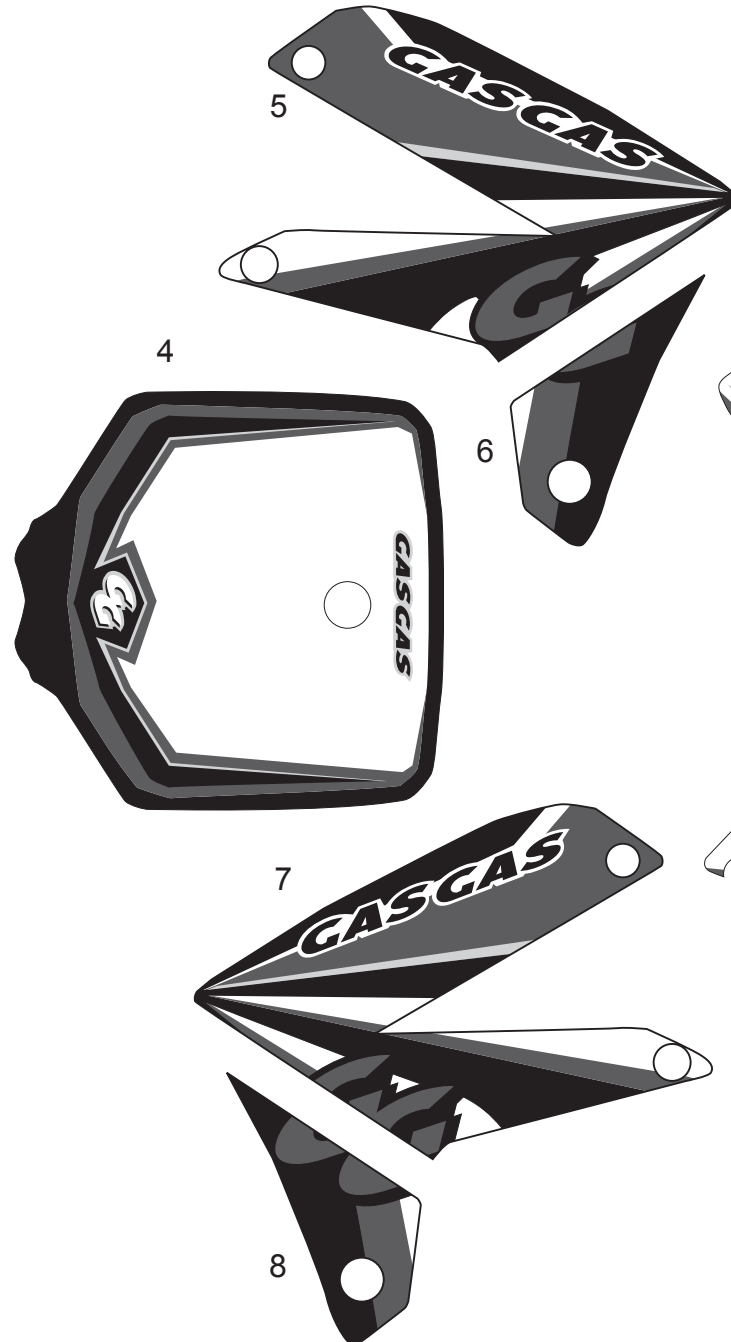
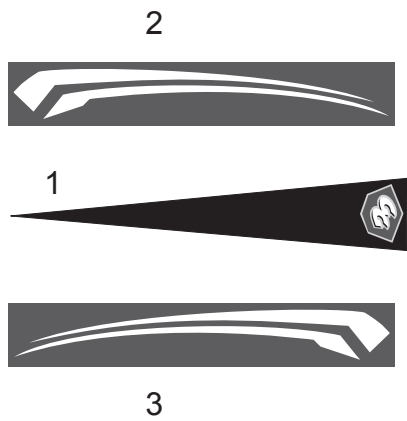
Nº	DESCRIPCION / DESCRIPTION	MC 65 '06	Cant.
1	HEXAGONAL (Æ5 x 15) ZINCADO / (Ø5 x 15) HEXAGONAL SCREW	T0105015	3
2	PLETINA EXT.SOPORTE ESPUMA FILTRO CROSS 65cc / CROSS 65cc EXT.AIR FILTER FOAM PLATE	BIC060528021	1
3	SOPORTE ESPUMA FILTRO CROSS 65cc / CROSS 65 cc AIR FILTER FOAM SUPPORT	BIC060528050	1
4	JAULA FILTRO AIRE CROSS 65cc 158045 / CROSS 65cc 158045 AIR CLEANER CAGE	BIC060528002	1
5	FILTRO AIRE CROSS 65cc 158044 / CROSS 65cc 158044 AIR CLEANER	BIC060528000	1
6	VARILLA FILTRO TRIAL 2002 / AIR CLEANER ROD	BT280228003	1
7	CAJA FILTRO CROSS 65cc / CROSS 65cc AIR CLEANER BOX	BIC060528001	1
8	TORNILLO ESPECIAL 6X16 8.8 ZINCADO SOPORTE OPTICA / 6X16 8.8 SPECIAL SCREW	T0206016/2	2
9	ABRAZADERA 40-60/9 W2 / 40-60/9 W2 CLAMP	L200047/2	2
10	GOMA TUBERA CAJA FILTRO CROSS 65cc / CROSS 65cc AIR FILTER BOX RUBBER	BIC060528017	1



Nº	DESCRIPCION / DESCRIPTION	MC 65 '06	Cant.
1	AMORTIGUADOR TRASERO (2134/PA) CROSS 65 / (2134/PA) CROSS 65 REAR SHOCK ABSORBER	BIC060514004	1
2	TUERCA AUTOBL. M-10 (DIN 985) CLASE (10) / M10 (DIN 985) SELF-LOCKING NUT	T2110001	1
3	TORNILLO ESPE M10X40X1.25 FL.14 ZIN.BLANCO/ M10X40X1.25 SPE3CIAL SCREW	T0110042	1
4	ALLEN 10X45 / 8X35 ALLEN BOLT	T0310046	1
5	TUERCA M10X1,25 AUTOBLOCANTE CON ARANDELA / M10X1,25 SELF-LOCKING NUT	T21010003	1
6	TORNILLO ALLEN M12x85 12.9 / M12x85 12.9 ALLEN BOLT	T0312085	2
7	RETEN 18x24x3 SUSP. TRAS / 18X24X3 REAR SHOCK SEAL	BIE500110011	10
8	TUERCA CON ARANDELA ESTRIADA M12. DIN 6923 / M12 NUT WITH GROOVING WASHER	T2212000	2
9	COJINETE 18BM2416 SUSP. TRAS / 18BM2416 REAR SHOCK BEARING	BIE500114010	9
10	BALANCIN CROSS 65cc / CROSS 65cc RELAY ARM	BIC060514005	1
11	CASQUILLO 12X18X40 / 12X18X40 BUSHING		1
12	CASQUILLO CENTRAL BASCULANTE CROSS 65cc / CROSS 65 cc SWINGARM BUSHING (CENTER)	BIC060512014	1
13	BIELETA CROSS 65cc / CROSS 65cc CONNECTING ROD	BIC060514008	2
14	TAPÓN BASCULANTE / SWINGARM CAP	BE250436001	2
15	EJE BASCULANTE CROSS 65cc / CROSS 65cc SWINGARM SHAFT	BIC060512008	1
16	TUERCA CON ARANDELA M12x150 ZINCADA / M12X150NUT WITH WASHER	BIT50018061	1
17	CASQUILLO BASCULANTE CROSS 65cc / CROSS 65cc SWINGARM BUSHING	BIC060512007	2
18	BASCULANTE CROSS 65cc / CROSS 65cc SWINGARM	BIC060512002	1
19	PATIN CADENA CROSS 65cc / CROSS 65cc CHAIN SLIDER	BIC060512015	1
20	ALLEN M5X60 / M5X60 ALLEN BOLT	T0305060	1
21	TUERCA M5 AUTOBLOCANTE / SCREW	T02105001	1
22	ARANDELA PLANA 6X12X1,5 (DIN125) / 6X12X1.5 (DIN 125) LOW WASHER	T4006012	1
23	SOPORTE PINZA FRENO TRASERO CROSS 65cc / CROSS 65cc REAR BRAKE DISC CALIPER SUPPORT	BIC060522120	1
24	TORNILLO / SCREW		1
25	SENSOR RUEDA EC50cc	BIE500118022	2
26	TUERCA CILINDRO 8.8 ESP.10/150 / 8.8 ESP.10/150 CYLINDER NUT	M01613001	2
27	ALLEN 8X20 / 8X20 ALLEN	T0318020	2
28	SOPORTE GUIA CADENA CROSS 65cc. / CROSS 65 cc CHAIN GUIDE SUPPORT	BIC060521018	1
29	TUERCA / SCREW		2
30	GUIA CADENA PLATO ARRASTRE CROSS 65cc. / CROSS 65 cc CHAIN GUIDE	BIC060512028	1
31	TORNILLO HEXAGONAL 6x40 / 6x40 HEXAGONAL SCREW	T0106040	2
32	ALLEN 12X65 12.9 / 12X65 12.9 ALLEN BOLT	T0312065	1
33	CASQUILLO / BUSHING		1
34	CASQUILLO / BUSHING		1

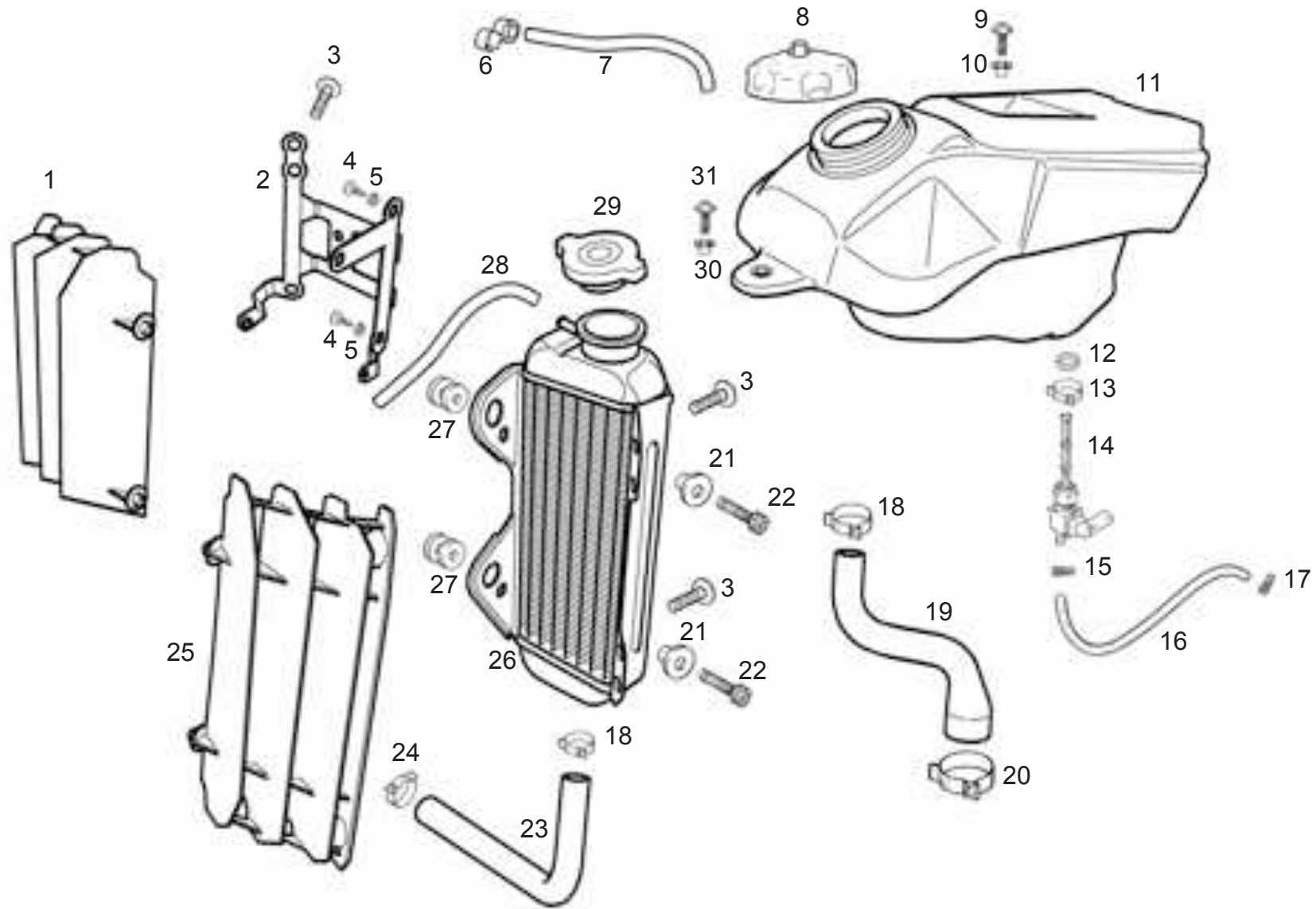


Nº	DESCRIPCION / DESCRIPTION	MC 65 '06	Cant.
1	SILENCIOSO CROSS 65cc / CROSS 65cc SILENCER	BIC060526002	1
2	SOPORTE SILENCIOSO / SILENCER CLAMP		1
3	TORNILLO ESPECIAL 6X14 / 6X14 SPECIAL SCREW	T0206014	1
4	TUERCA AUTOBLOCANTE / SCREW		1
5	JUNTA ESCAPE DE SILICONA / SYLICONE EXHAUST GASKET	BE12626003	1
6	TUERCA M6 RAPIDA / M6 FAST NUT	T2606000	2
7	SILENBLOC ESCAPE CROSS 50CC / SILENTBLOC ESCAPE 10942 / EXHAUST SILENT-BLOCK	BIC050526004	2
8	TORNILLO ESPECIAL 6X16 / 6X16 SPECIAL SCREW	T0206016	3
9	TUBO ESCAPE CROSS 65cc / CROSS 65 cc EXHAUST	BIC060526001	1
10	MUELLE ESCAPE / EXHAUST SPRING	BE25610042	2
11	TORICA TUBERA ESCAPE 30X2.5 VITON / 30X2.5 VITON O'RING	MIC060526006	1
12	TORNILLO HEXAGONAL 6x14 / 6x14 HEXAGONAL SCREW	T206014	1





Nº	DESCRIPCION / DESCRIPTION	MC 65 '06	Cant.
1	ADH. GUARDABARROS DELANTERO MC 65 ROJO / RED MC 65 FRONT FENDER STICKER	BIC060638027	1
2	ADH. LATERAL GUARDABARROS DELANTERO DERECHA ROJO MC 65 2006 / RED RIGHT SIDE MC 65 2006 FRONT FENDER STICKER	BIC060638027/2	1
3	ADH. LATERAL GUARDABARROS DELANTERO IZQUIERDA ROJO MC 65 2006 / RED LEFT SIDE MC 65 2006 FRONT FENDER STICKER	BIC060638027/1	1
4	ADH. FARO DELANTERO ROJO MC 65 2006 / RED MC 65 2006 FRONT LIGHT STICKER	BIC060638001	1
5	ADH. TAPA LATERAL RADIADOR DERECHO MC 65 ROJO / RED MC 65 RIGHT SIDE RADIATOR CAP STICKER	BIC060638002	1
6	ADH INFERIOR RADIADOR DERECHO MC 65 ROJO / RED MC 65 RIGHT LOWER RADIATOR STICKER	BIC060638067	1
7	ADH . TAPA LATERAL RADIADOR IZQUIERDO MC 65 ROJO / RED MC 65 LEFT SIDE RADIATOR STICKER	BIC060638052	1
8	ADH . INFERIOR RADIADOR IZQUIERDO MC 65 ROJO / RED MC 65 LEFT LOWER RADIATOR STICKER	BIC060638068	1
9	ADH. TAPA LATERAL PORTANUMEROS DERECHA MC 65 ROJO / RED MC 65 RIGHT SIDE PLATE CAP STICKER	BIC060638003	1
10	ADH. TAPA LATERAL PORTANUMEROS IZQUIERDA MC 65 ROJO / RED MC 65 LEFT SIDE PLATE CAP STICKER	BIC060638004	1
11	ADH. BASCULANTE MC 65 DERECHA ROJO / RED LEFT MC 65 SWINGARM STICKER	BIC060638005	1
12	ADH. BASCULANTE MC 65 IZQUIERDA ROJO / RED RIGHT MC 65 SWINGARM STICKER	BIC060638006	1
13	ADH. GUARDABARROS TRASERO MC 65 ROJO / RED MC 65 REAR FENDER STICKER	BIC060638030	1

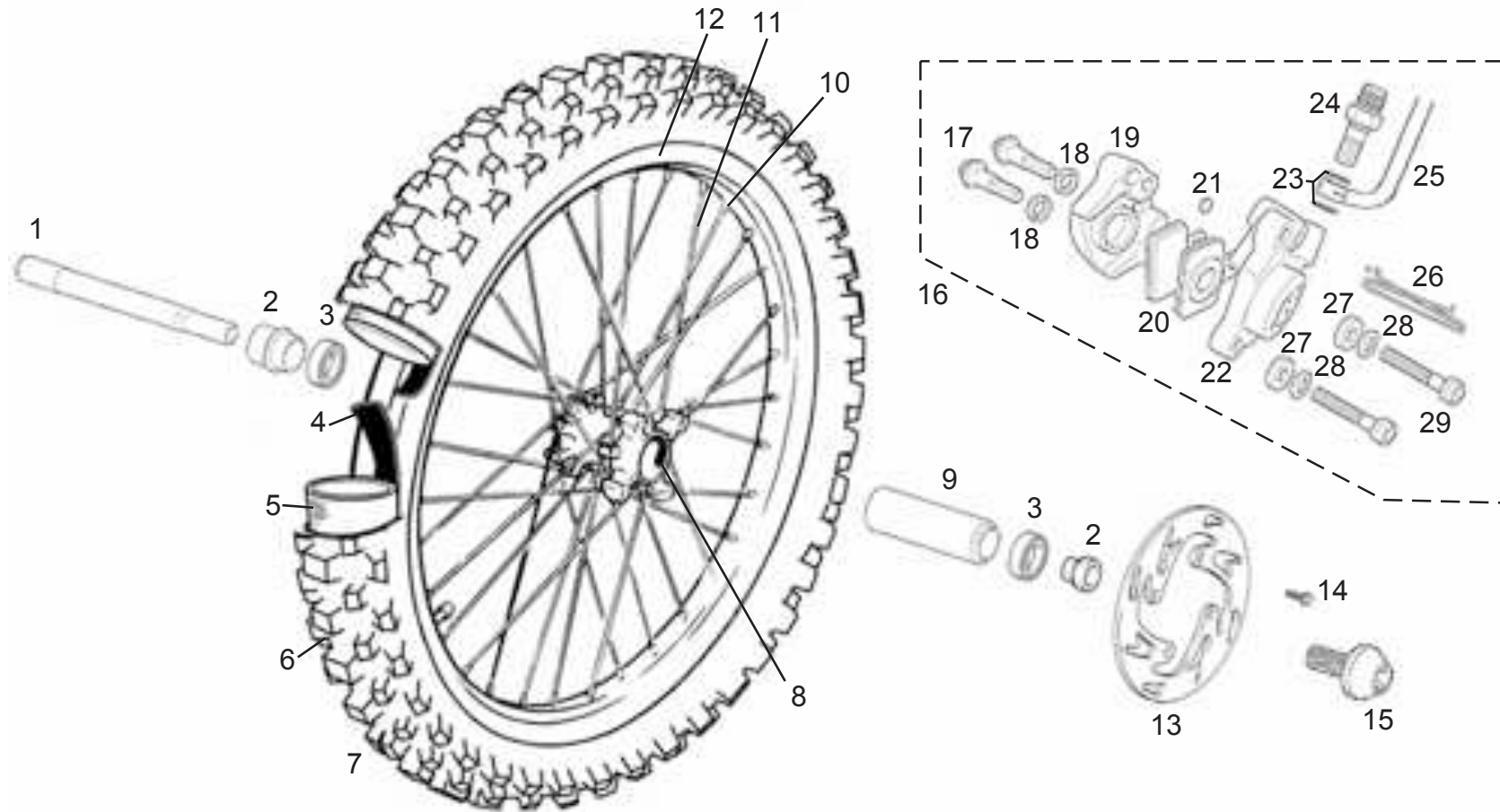


N°	DESCRIPCION / DESCRIPTION	MC 65 '06	Cant.
1	REJILLA RADIADOR DRCH. CROSS 65 / CROSS 65 cc RIGHT RADIATOR GRILLE	BIC060520002	1
2	SOPORTE REJILLA RADIADOR CROSS 65cc / CROSS 65 cc RADIATOR GRILLE SUPPORT	BIC060520000	1
3	ULS 6x14 CON ARANDELA PLATA / ULS SCREW 6x14	T0556014	3
4	ULS 6x10 CON ARANDELA PLATA / ULS SCREW 6x10	T0556010	2
5	ARANDELA EN ABANICO DIN 6798/A ZINCADA / DIN 6798/A WASHER	T4006040	2
6	SOP.TUBO DESVAP. DIAMETRO 14-NEGRO / D14 BLACK DESVAP. HOSE SUPPORT	BE250420076	1
7	TUBO DESVAPOR.TAPON GAS.(20cm. SIN VALVULA) / FUEL TANK HOSE HOLDER	BE250520011	1
8	TAPON GASOLINA 2005 06000.097 / FUEL TANK CAP	BE250520010	1
9	ULS 5X16 PRO / 5X16 PRO ULS	T0505016	1
10	CASQUILLO GUIA SILLIN CROSS 65cc / CROSS 65 cc SEAT GUIDE BUSHING	BIC060510007	1
11	DEPOSITO GASOLINA CROSS 65cc / CROSS 65cc FUEL TANK	BIC060510024	1
12	TORICA GRIFO GASOLINA / FUEL TANK O'RING		1
13	ABRAZADERA COBRA D.17 / COBRA CLAMP	BIT50010033	1
14	GRIFO GASOLINA Z303 CROSS 65cc / Z303 CROSS 65cc TAP FUEL-PATROL	BIC060510031	1
15	ABRAZ. ALAMBRE 10.4x11 SUJ.TUBO PLATA 02016071 / SPRING CLAMP	BT27710120	1
16	TUBO GASOLINA TRIAL / TRIAL FUEL HOSE	BT280236004	1
17	ABRAZ.ELASTICA ALAMBRE 9.3X9.9 2016055 NEGRA / ELASTIC CLAMP	L200036	1
18	ABRAZ.COBRA-19 / COBRA CLAMP	L200043	2
19	TUBO SUP. RADIADOR-CULATA C.65cc-2005 / C.65 cc-2005 RADIATOR TO CYL. HEAD HOSE	BIC060532002	1
20	ABRAZ.TORRO 20X32X9 (REF.1267704026) / CLAMP	L200044	1
21	CASQ.SUJECCION RADIADOR D.11 C.65cc / C.65 cc D11 RADIATOR SUPPORT BUSHING	BIC060532040	2
22	ALLEN 6X25 TA.EMB,CART,SUSP.12.9 / 6X25 ALLEN	T0306025	2
23	TUBO RADIADOR A BOMBA AGUA / RADIATOR TO WATER PUMP HOSE	BIC060532003	1
24	ABRAZADERA COBRA DE 20 / COBRA CLAMP	L200035	1
25	REJILLA RADIADOR IZQ.CROSS 65cc / CROSS 65cc LEFT RADIATOR PROTECTOR	BIC060520001	1
26	RADIADOR IZQ. CROSS 65 / LEFT RADIATOR	BIC060532001	1
27	GOMA TOPE RADIADOR 49100025 / RADIATOR END RUBBER	BIE500132031	2
28	TUBO DESVAPORIZADOR / DESVAP. HOSE		1
29	TAPON RADIADOR / RADIATOR CAP		1
30	CASQUILLO DEPOSITO / FUEL TANK BUSHING	BE25610007	1
31	TORNILLO ESPECIAL M6x20 FIL.20 ROND. D.15 8.8 ZINC. BIANCO / SPECIAL SCREW	T0606020	1

Rueda delantera /  
Front wheel

**GASGAS**

MC 65 '06

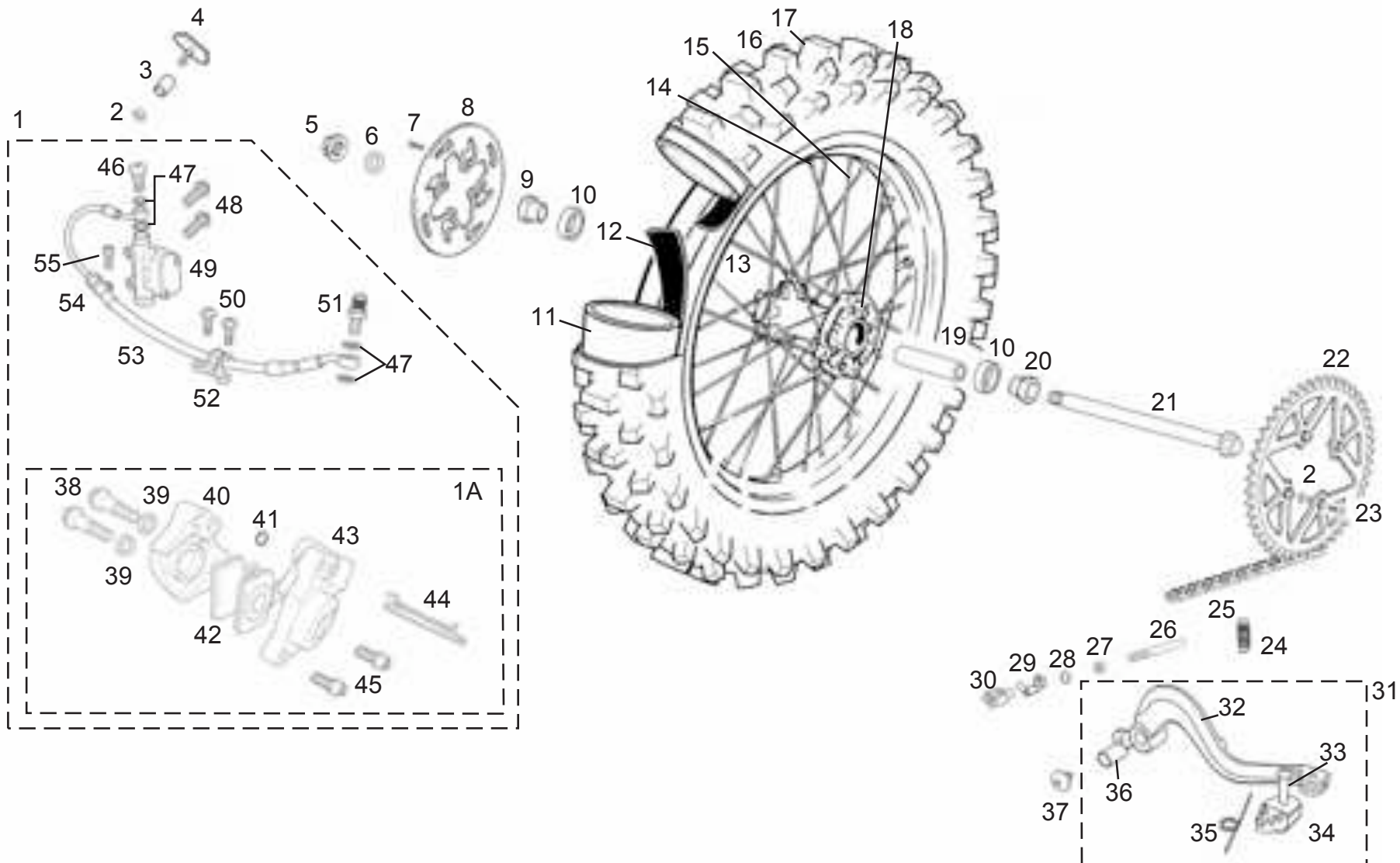


Nº	DESCRIPCION / DESCRIPTION	MC 65 '06	Cant.
1	EJE RUEDA DELANTERA CROSS 65cc / CROSS 65cc FRONT WHEELAXLE	BIC060518017	1
2	DISTANCIADOR RUEDA DELANTERA CROSS 65cc / CROSS 65cc FRONT WHEEL SPACER	BIC060518018	2
3	COJINETE (6004 2RSR) AÆ 20 x AÆ 42 x 12 / (6004 2RSR) AÆ 20 x AÆ 42 x 12 BEARING	C160001	2
4	PROTECTOR BANDA DELANTERA 14" / 14" FRONT PROTECTOR TAPE	BIE50018028	1
5	CAMARA DELANTERA 2.25/2.50-14 MA14 / 2.25/2.50-14 MA14 FRONT AIR HOSE	BIE50018001	1
6	NEUMATICO DELANTERO BOY 2.50-14 60/100-14 29M MT32A / BOY 2.50-14 60/100-14 29M MT32A FRONT TIRE	BIE50018002	1
7	RUEDA DELANTERA CROSS 65cc / CROSS 65cc FRONT WHEEL	BIC060518000	1
7A	CTO.RUEDA DEL. CROSS 65cc 60/100 14" / CROSS 65cc 60/100 14" FRONT WHEEL SET	BIC060518000C	1
8	CUBO RUEDA DEL. CROSS 65cc / CROSS 65cc FRONT HUB WHEEL	BIC060518007	1
9	DISTANCIADOR / SPACER	BIC060518051	1
10	TUERCA RADIO DELANTERO / FRONT SPOKE NUT	BT27718001	32
11	RADIO / SPOKE	BIC060518008	32
11A	RADIO / SPOKE	BIC060518009	32
12	CTO.LLANTA DEL. CROSS 65cc / CROSS 65cc FRONT RIM	BIC060518006C	1
13	DISCO FRENO DELANTERO CROSS 65cc AÆ 180 / CROSS 65cc AÆ 180 FRONT BRAKE DISC	BIC060522011	1
14	TORNILLO ESP 6x20 8.8 ZINCADO / 6x20 8.8 SPECIAL SCREW	T0206020/2	4
15	TORNILLO EJE RUEDA DELANTERA CROSS 65cc / CROSS 65cc FRONT WHEEL AXIS BOLT	BIC060518026	1
16	CTO. FRENO DELANTERO CROSS 65cc / CROSS 65cc FRONT BRAKE SET		1
17	TORNILLO HEXAGONAL M8x40 e/c 10 / M8x40 HEXAGONAL SCREW	290.99.212	2
18	ARANDELA AET DIN 912 / AET DIN 912 WASHER	290.99.056	2
19	PINZA INTERIOR Ø 25 MINIMOTO / INNER CALIPER	236.00.500 A	1
20	PASTILLAS DE FRENO TRASERO / REAR BRAKE PADS	290.99.087	2
21	TORICA (AÆ 4 x AÆ 8 x 2) / (AÆ 4 x AÆ 8 x 2) O'RING		1
22	PINZA SOPORTE Ø 25 MINIMOTO / CALIPER SUPPORT	236.00.100 A	1
23	ARANDELA LATIGUILLO / HOSE WASHER	BE25622007	2
24	RACORD SUJECCION LATIGUILLO / HOSE HOLDER RACORD	R320000	1
25	LATIGUILLO FRENO DELANTERO / FRONT BRAKE TUBE	756.11.368C	1
26	MUELLES SUJECCIÓN PASTILLAS FRENO / BRAKE HOLDER SPRING	290.99.143	1
27	DISTANCIADOR (AÆ 6 x AÆ 15 x 4,7) / (AÆ 6 x AÆ 15 x 4,7) SPACER		2
28	ARANDELA (AÆ 6,5 x AÆ 12 x 1,5) / (AÆ 6,5 x AÆ 12 x 1,5) WASHER		2
29	TORNILLO ALLEN (AÆ 6 x 35) / (AÆ 6 x 35) ALLEN SCREW		2

Rueda trasera /  
Rear wheel

**GASGAS**

MC 65 '06

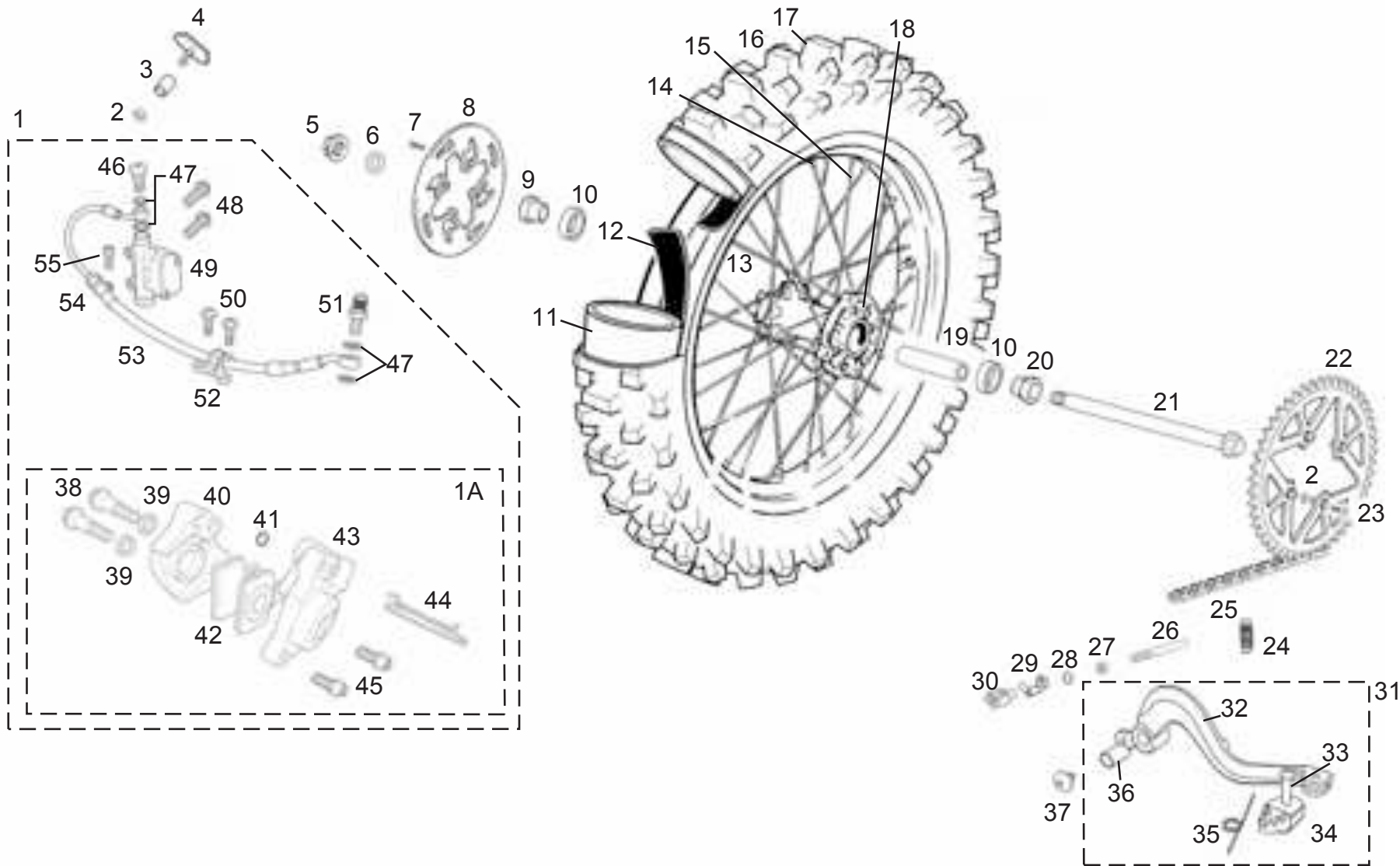


Nº	DESCRIPCION / DESCRIPTION	MC 65 '06	Cant.
1	CTO.FRENO TRASERO PURGADO CROSS 65cc / CROSS 65cc REAR BRAKE SET	BIC060522118CT	1
1A	PINZA Ø25 MINIMOTO / Ø25 CALIPER	BIC060522000	1
2	TUERCA AUTOBL. M-8 BAJA (DIN 985) / NOT NYLOCK M8	T2108001/2	5
3	CASQUILLO AGARRE CUBIERTA 490.80.500A / TIRE HOLDER BUSHING	BE250518048/2	1
4	AGARRE CUBIERTA TRASERA / REAR TIRE HOLDER	BE25618008	1
5	TUERCA EJE RUEDA TRASERA / REAR WHEEL AXIS NUT	R640001	1
6	ARANDELA EJE TRASERO 17X30X1,5 DIN 137 / DIN 137 17X30X1,5 REAR WASHER	T4017030	1
7	TORNILLO ESPECIAL 6x20 8.8 ZINCADO / 6x20 8.8 SPECIAL SCREW	T0206020/2	4
8	DISCO FRENO TRASERO CROSS 65 cc / CROSS 65 cc REAR BRAKE DISC	BIC060522012	1
9	DISTANCIADOR DERECHO RUEDA TRASERA CROSS 65cc / CROSS 65cc REAR WHEEL RIGHT SPACER	BIC060518025	1
10	COJINETE 6004 2RSR / 6004 2RSR BEARING	C160001	2
11	CAMARA TRASERA 2.75/3.00-12 MB12 / 2.75/3.00-12 MB12 REAR AIR HOSE	BIE50018004	1
12	PROTECTOR BANDA TRASERO 12" / 12" REAR TAPE PROTECTION	BIE50018003	1
13	CTO. LLANTA TRASERA CROSS 65cc / CROSS 65cc REAR RIM	BIC060518011C	1
14	TUERCA RADIO / SPOKE NUT	BT27718016	32
15	RADIO RUEDA TRASERA / REAR SPOKE	BIC060518014	32
15A	RADIO RUEDA TRASERA / REAR SPOKE	BIC060518015	32
16	RUEDA TRASERA CROSS 65cc / CROSS 65cc REAR WHEEL	BIC060518100	1
16A	CTO. RUEDA TRASERA CROSS 65cc / CROSS 65cc REAR WHEEL SET	BIC060518100C	1
17	NEUMATICO TRASERO 2.75/3.00-12 80/100-12 41M MT320 / 2.75/3.00-12 80/100-12 41M MT320 REAR TIRE	BIE50018005	1
18	BUJE RUEDA TRASERA TRIAL SXXI /	BT280218027	1
19	DISTANCIADOR / SPACER	BT280218052	1
20	DISTANCIADOR IZQUIERDO RUEDA TRASERA CROSS 65cc / REAR WHEEL LEFT SPACER	BIC060518021	1
21	EJE RUEDA TRASERA CROSS 65cc / CROSS 65cc REAR WHEELAXLE	BIC060518020	1
22	CORONA CROSS 65cc Z-48 / CROSS 65cc Z-48 SPROCKET	BIC060518034	1
23	TORNILLO ULS TORX 8X22 / SCREW 8x22 ULS	T0568022	4
24	MUELLE PEDAL FRENO / BRAKE PEDAL SPRING	BE25610023	1
25	CADENA CROSS 65cc 112 PASOS / CROSS 65cc CHAIN 112 LINKS	BIC060510036	1
26	VARILLA FRENO TRASERA TRIAL 2002 / TRIAL 2002 REAR BRAKE ROD	BT280222062	1
27	TUERCA M-6 BAJA DIN 934 / M6 DIN 934 LOW NUT	T2006001	1
28	TORICA 8X1.5 PEDAL FRENO / O'RING	BE25622028	1
29	PASADOR VARILLA FRENO / BRAKE ROD PIN	BE25622015	1
30	HORQUILLA 6X12 DIN 71752 VARILLA FRENO / BRAKE ROD YOKE	BE25622014	1
31	CTO. PEDAL FRENO CROSS 65cc / CROSS 65cc BRAKE PEDAL SET	BIC060522016CT	1
32	PEDAL DE FRENO / BRAKE PEDAL	BIC060522016	1
33	REMACHE PUNTERA FRENO / BRAKE PEDAL END RIVET	BE25622018	1
34	PUNTERA PEDAL FRENO / BRAKE PEDAL END	BT27922017	1
35	MUELLE PUNTERA PEDAL / BRAKE PEDAL END SPRING	M25636029	1
36	GLACIER PEDAL FRENO / BRAKE PEDAL GLACIER	BE250010009	1

# Rueda trasera / Rear wheel

# GASGAS

# MC 65 '06



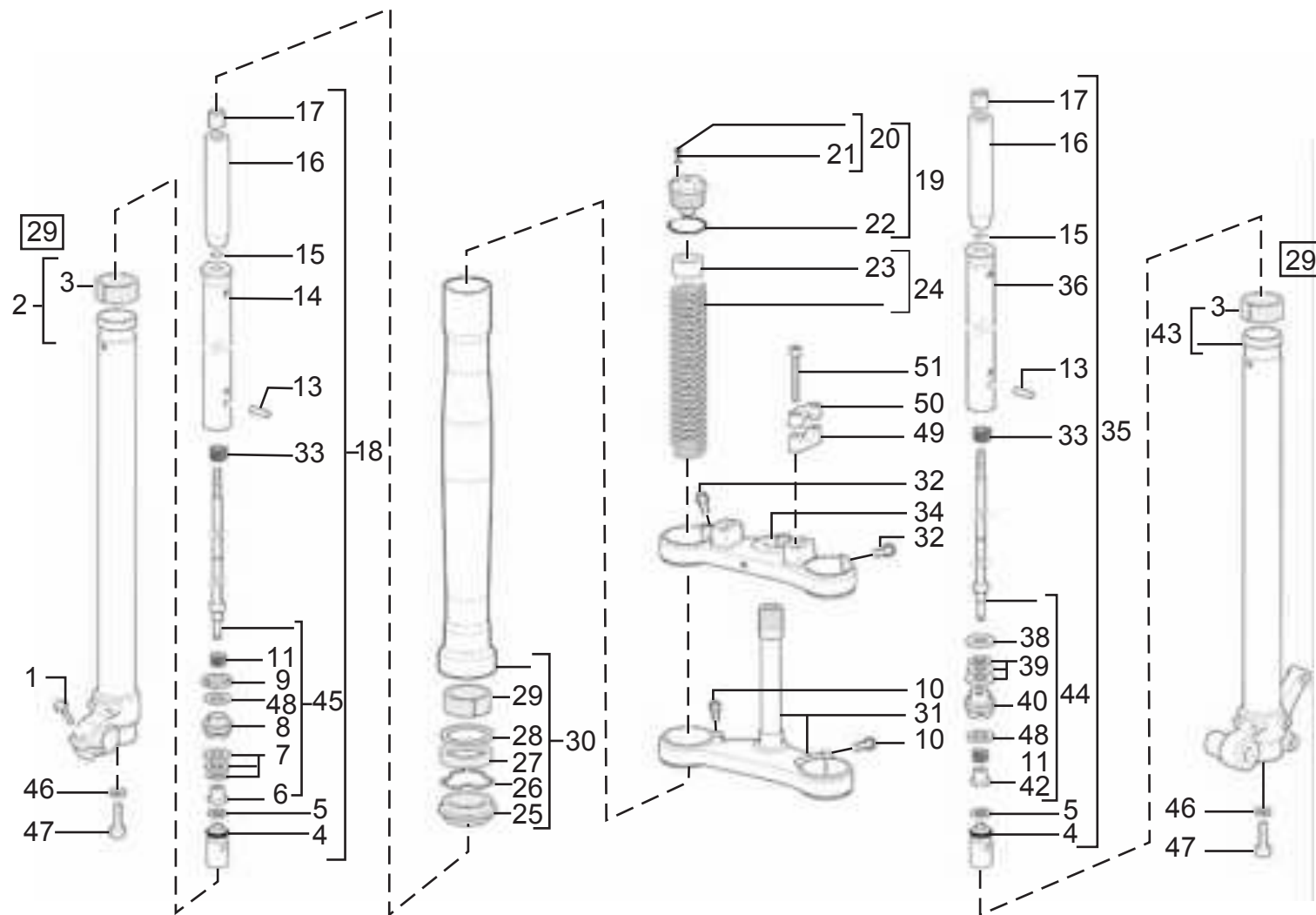


Nº	DESCRIPCION / DESCRIPTION	MC 65 '06	Cant.
37	TORNILLO ESPECIAL PEDAL FRENO / SPECIAL SCREW	BE250036062	1
38	TORNILLO HEXAGONAL M8x40 e/c 10 / M8x40 HEXAGONAL SCREW	290.99.212	2
39	ARANDELA AET DIN 912 / AET DIN 912 WASHER	290.99.056	2
40	PINZA INTERIOR Ø 25 MINIMOTO / Ø25 INNER CALIPER	236.00.500 A	1
41	TORICA (Ø 4 x Ø 8 x 2) / (Ø 4 x Ø 8 x 2) O'RING		1
42	PASTILLAS DE FRENO TRASERO / REAR BRAKE PADS	290.99.087	2
43	PINZA SOPORTE Ø 25 MINIMOTO / Ø25 CALIPER SUPPORT	236.00.100 A	1
44	MUELLES SUJECCIÓN PASTILLAS FRENO / BRAKE HOLDER SPRING	290.99.143	1
45	TORNILLO / SCREW		2
46	RACOR ULS / RACORD	190.99.180	1
47	ARANDELA LATIGUILLO / HOSE WASHER	BE25622007	4
48	TORNILLO ESPECIAL. 6x14 / 6X14 SPECIAL SCREW	T0206014	2
49	CONJUNTO BOMBA PETACA Ø 9.5 / Ø9.5 REAR BRAKE PUMP	144.00.100C	1
50	ULS 5x12 / 5X12 ULS	T0505012	2
51	CONJUNTO RACORD SANGRADOR / BLEEDER RACORD SET	BE25622019	1
52			
53	LATIGUILLO FRENO TRASERO / REAR BRAKE HOSE	756.16.346C	1
54			
55	ALLEN 6x14 / 6x14 ALLEN BOLT	T0306014	1

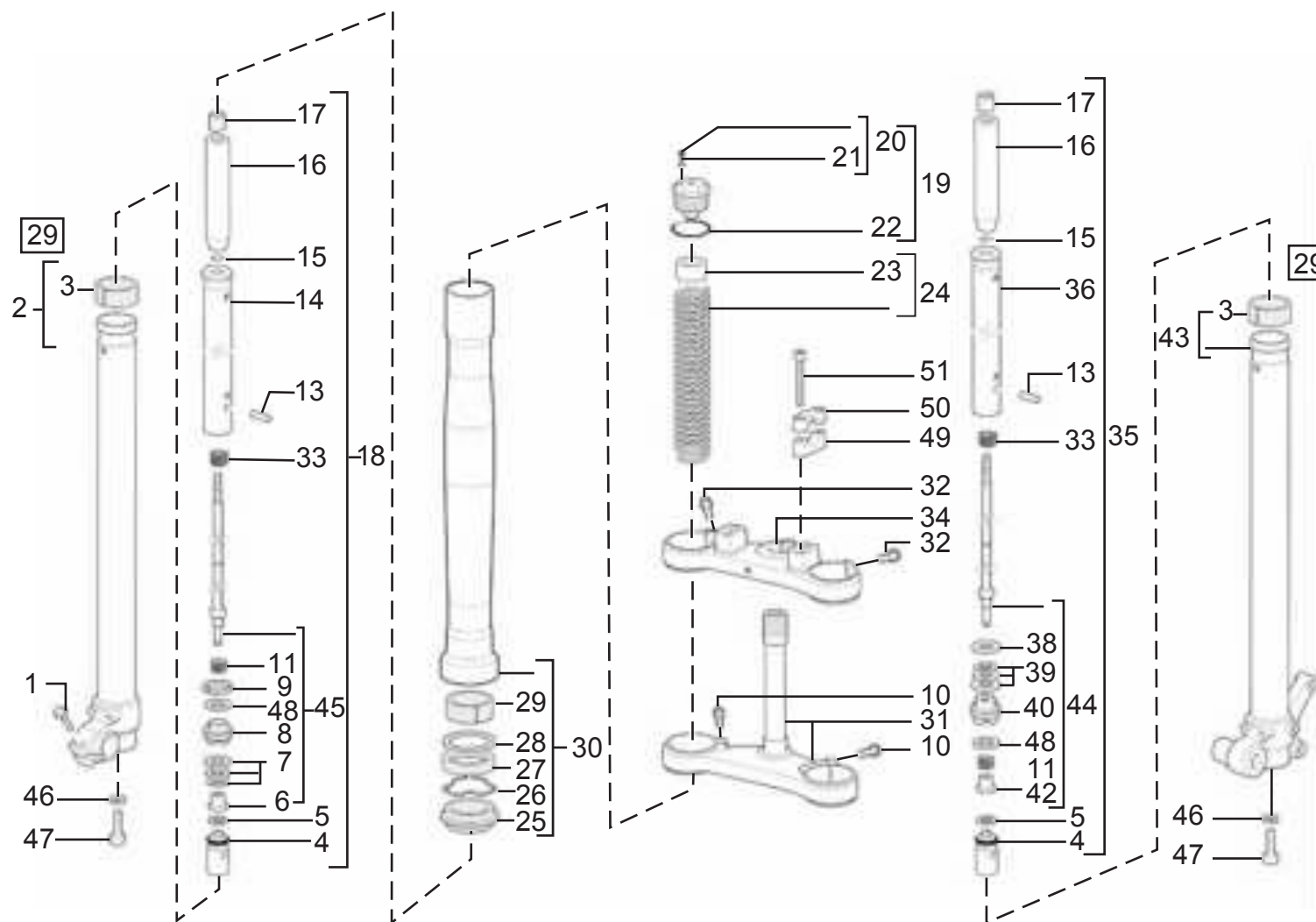
Suspension MARZOCCHI /  
MARZOCCHI Front Fork

**GAS GAS**

MC 65 '06



Nº	DESCRIPCION / DESCRIPTION	MC 65 '06	Cant.
1	TORNILLO M6X30 / M6X30 SCREW	520026	1
1A	TORNILLO M6X20 / M6X20 SCREW	520289	1
2	BASE HORQUILLA DERECHA / RIGHT FORK BASE	819305/C	1
3	CASQUILLO INTERIOR BOTELLA / INNER BUSHING	S360001	2
4	VALVULA DE AJUSTE / FOOT VALVE UNIT	717065/R	2
5	TORICA 2081 / O-RING 2081	528005	2
6	TUERCA M6X1 / M6X1 NUT	BE250114126	1
7	JUNTA 22X8.1X0.1 / 22X8.1X0.1 GASKET	517217	4
8	PISTON DE COMPRESION D26 / D26 COMPRESSION PISTON	530097>B	1
9	CIRCLIP D26 / D26 CIRCLIP	524163	1
11	MUELLE DE REBOTE / REBOUND SPRING	BE250114118	2
13	PASADOR 8X30 / 8X30 PIN	5321033	2
14	CARTUCHO AMORTIGUADOR DERECHO / RIGHT SUSPENSION CARTRIDGE	5181140/R	1
15	ANILLO DE RETENCION D10X1 / D10X1 HOLDER RING	523224	2
16	TUBO GUIA MUELLE / SPRING GUIDE TUBE	5181153>A	2
17	TUERCA 22X6.4X128/ 22X6.4X128 NUT	521005	2
18	CONJUNTO CARTUCHO REBOTE / REBOUND CARTRIDGE UNIT	8031082/R	1
19	CONJUNTO TAPON REGULACION / REGULATION CAP SET	701196	2
20	TORNILLO M4X6 + TORICA / M4X6 SCREW + O-RING	BE25714103	2
21	TORICA 2015 (D3.69 S1.78) / O-RING 2015 (D3.69 S1.78)	528180	2
22	TORICA 2137 (D34.6 S1.78) / O-RING	528008	2
24	KIT MUELLE Y CASQUILLO / BUSHING AND SPRING SET	850728	1
25	GUARDAPOLVO / DUST SEAL	G280000	2
26	ANILLO DE CIERRE / STOP RING	523236	2
28	ARANDELA D35 47X36X3 / D35 47X36X3 WASHER	539032AA	2
29	CASQUILLO BARRA EXTERIOR / OUTER TUBE BUSHING	S230100	2
30	CONJUNTO BARRA EXTERIOR / OUTER TUBE UNIT	760069FN/C	2
31	EJE DIRECCION / LOWER YOKE	7051181	1
32	TORNILLO M8X30 / M8X30 SCREW	520319	5
33	MUELLE REBOTE / REBOUND SPRING	514077	2
34	PLATINA SUPERIOR / UPPER YOKE	501513A	1
35	CONJUNTO CARTUCHO COMPRESION / COMPRESSION CARTRIDGE UNIT	8031083/R	1
36	CARTUCHO AMORTIGUADOR IZQUIERDO / LEFT SUSPENSION CARTRIDGE	5181139/R	1
38	ANILLO PISTON / PISTON CUP	535099	1
39	JUNTA 23X8.1X0.2 / SHIM 23X8.1X0.2	517028	1
39	JUNTA 22X8.1X0.2 / SHIM 22X8.1X0.2	517039	1
39	JUNTA 21X8.1X0.3 / SHIM 21X8.1X0.3	517060	1
40	PISTON D26 / D26 PISTON	530090>B	1
42	TUERCA M8 / NUT M8	521147>A	1

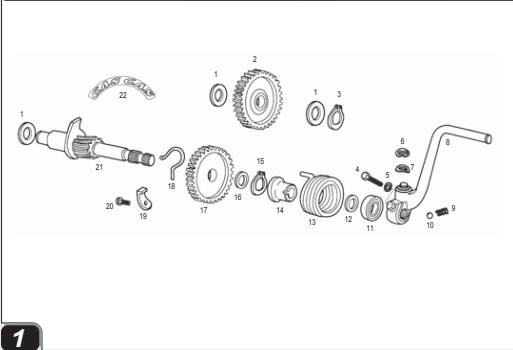


Nº	DESCRIPCION / DESCRIPTION	MC 65 '06	Cant.
43	CASQUILLO INTERIOR BOTELLA / INNER BUSHING	819306/C	1
44	CONJUNTO COMP. PISTON / COMP.PISTON SHAFT UNIT	309651/R	1
45	CONJUNTO REB. PISTON / REB.PISTON SHAFT UNIT	309652/R	1
46	ARANDELA 12X8X1.5 / 12X8X1.5 WASHER	522061	2
47	TORNILLO M8X25 / M8X25 SCREW	520045	2
48	JUNTA 23X8.1X0.3 / SHIM 23X8.1X0.3	517044	2
49	BRIDA SUPERIOR MANILLAR / HANDLE BAR CLAMP TOP	505033A	2
50	BRIDA INFERIOR MANILLAR / HANDLE BAR MNT LOWER	505034A	2
51	TORNILLO M8X60 / M8X60 SCREW	520078	4

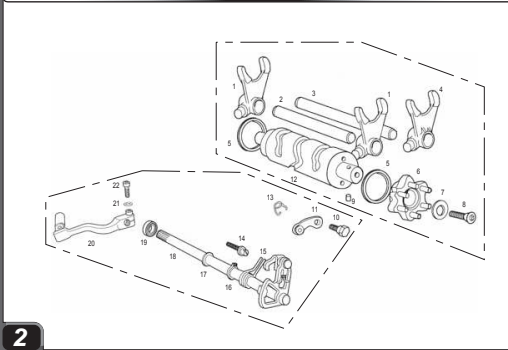


# MOTOR

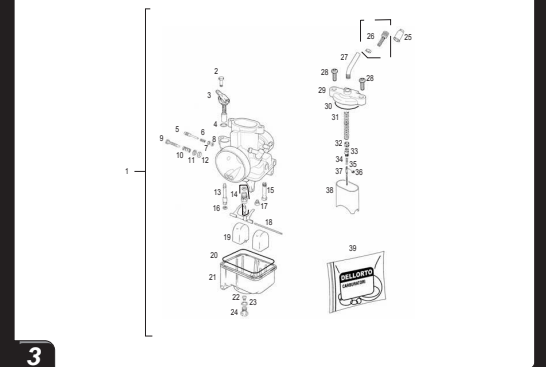
Eje de arranque / Starting shaft **CASCAS** MC 65 '06



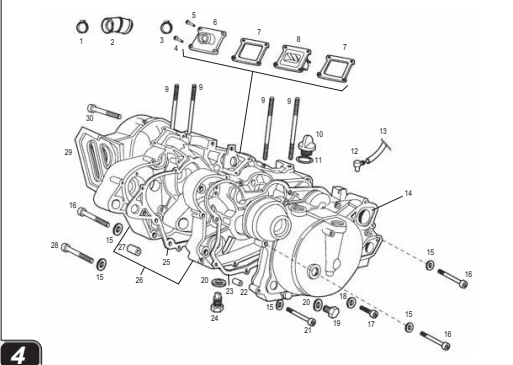
Selector cambio / Shift cam **CASCAS** MC 65 '06



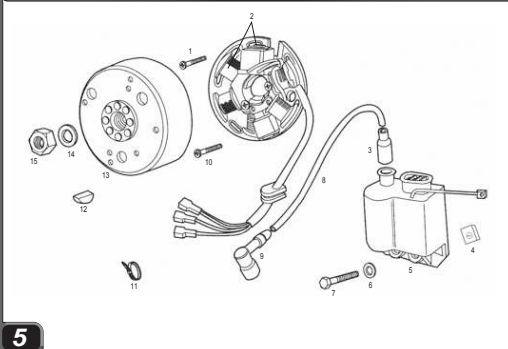
Carburador / Carburator **CASCAS** MC 65 '06



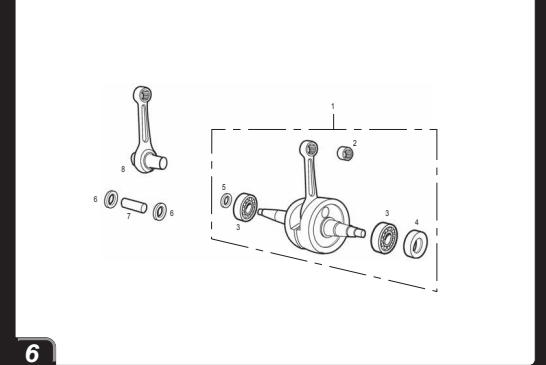
Cárter / Crankcase **CASCAS** MC 65 '06



Volante magnético / Flywheel magneto **CASCAS** MC 65 '06



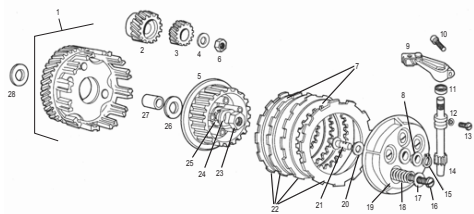
Cigüeñal / Crankshaft **CASCAS** MC 65 '06



DESPIECE

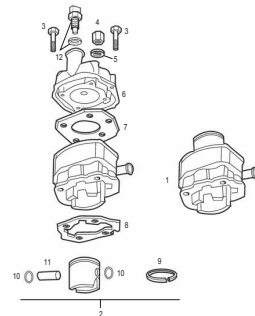
# ENGINE

Embrague / Clutch **GASCAS** MC 65 '06



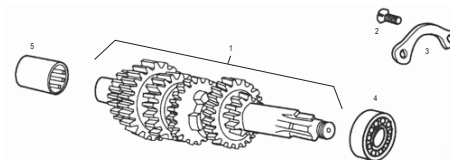
7

Cilindro - Culata - Pistón /  
Cylinder - Cyl. head - Piston **GASCAS** MC 65 '06



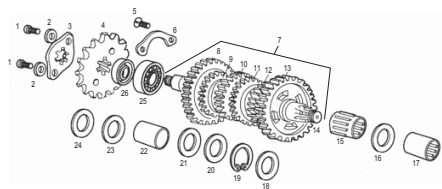
8

Eje primario / Main shaft **GASCAS** MC 65 '06



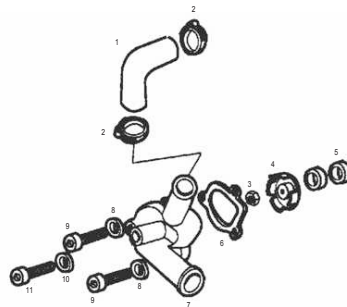
9

Eje secundario /  
Counter shaft **GASCAS** MC 65 '06



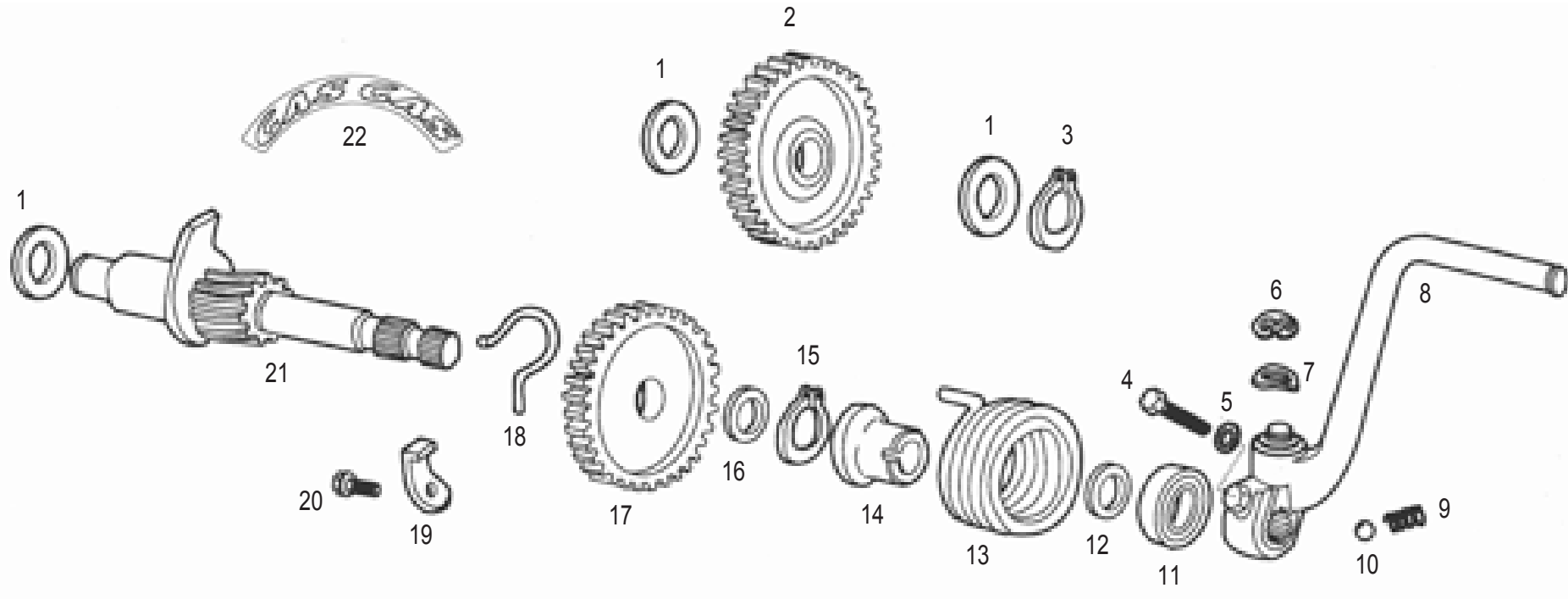
10

Bomba agua /  
Water pump **GASCAS** MC 65 '06



11

# PART LIST



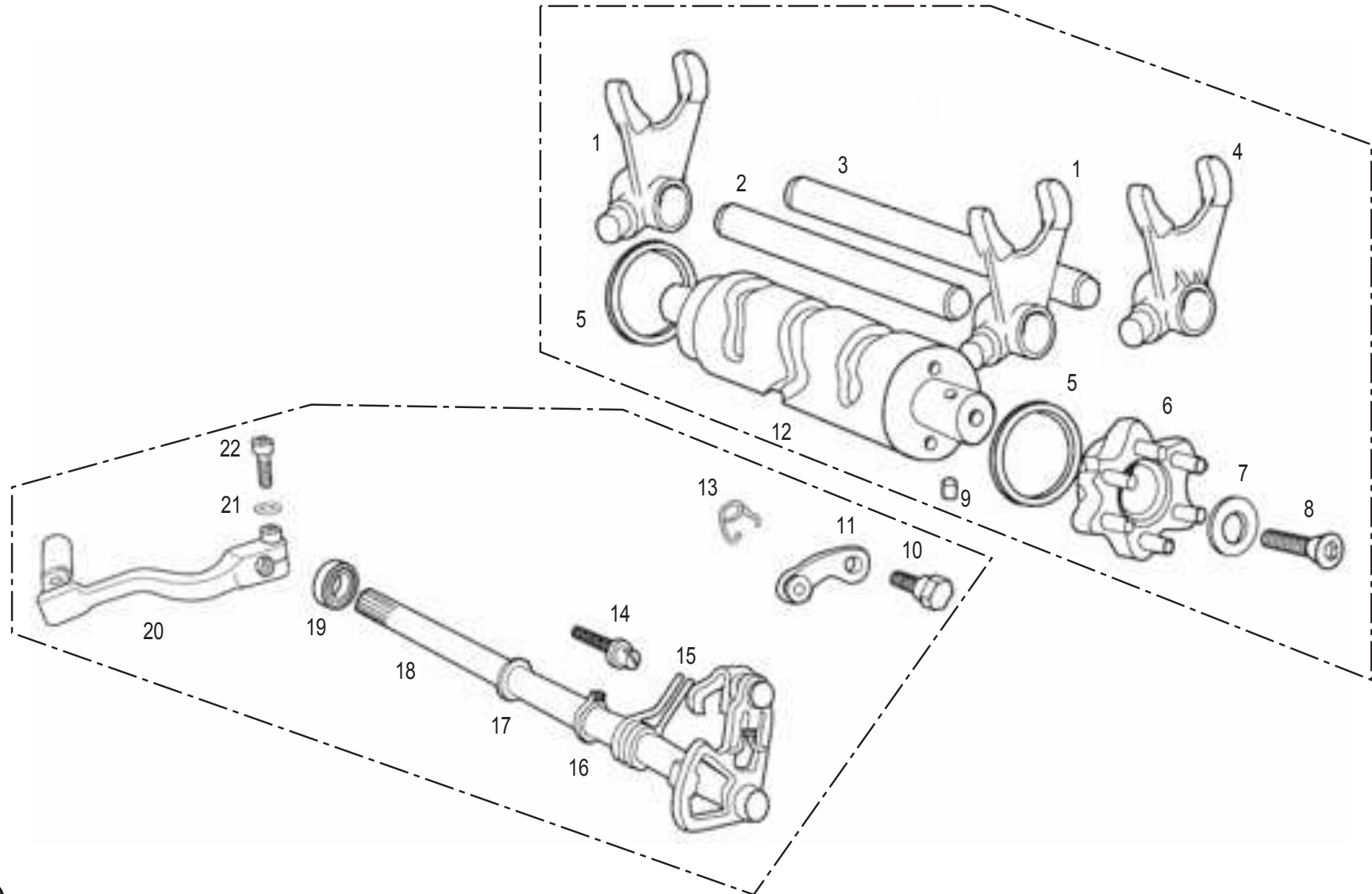


N°	DESCRIPCION / DESCRIPTION	MC 65 '06	Cant.
1	ARAND.SEGURO TAMBOR COPPA / WASHER	00002028770	3
2	PIÑON INTERMED.ARRQ. / DRIVING GEAR	00H02901441	1
3	ANILLO SEG.EJES D11.DIN-471. / CIRCLIP, SELECTOR SHAFT	00000047111	1
4	TOR.C/ALLEN.6M100X25.NG / ALLEN SCREW M6X25	00004162500	1
5	ARAND. CONICA SEG. D6 4.232004-0 / CONICAL WASHER	00037000600	1
6	ANILL.SEG/EJ.D9-12 D6799/8 / CIRCLIP D9-12 DIN-6799	00047030900	1
7	ARAND.MUELLE AB.D10,5.DIN137.A / WASHER	00000036100	1
8	CTO.PALANCA ARRQ.FENIX. / KICKSTARTER LEVER	00H02902251	1
9	MUELLE GATILLOS.ANTORCHA. / SPRING, DETENT	00003127200	1
10	BOLA.D.4,76. / BALL, D.4,76	00000061040	1
11	RETEN EJE ARRANQUE 15-26-5 / OIL SEAL 15-26-5	00D02910131	1
12	ARAND.TOPE ARRQ.4-6V. / WASHER	00002029050	1
13	MUELLE ARRANQUE / KICKSTARTER SPRING	00H02900041	1
14	CAZLTA.GUIA MUELLE ARRQ. / SPRING GUIDE	00H02900271	1
15	ANILLO SEG.EJES D22.DIN-471. / CIRCLIP D22 DIN 471	00000047122	1
16	ARAND.TOPE PIÑ.ARRQ. / WASHER	00005529290	1
17	PIÑON ARRANQUE Z-29 / KICKSTARTER GEAR Z-29	00H02900091	1
18	MUELLE PI_ON ARR. / SPRING, ENGAGEMENTE REAR	00H02900281	1
19	REFZO.TOPE ARRQ. / KICKSTARTER LEVER STOP	00H02901551	1
20	TOR.FIJ.TOPE ARRQ. / SCREW	00H02900761	1
21	SCTO.EJE ARRANQUE / KICKSTARTER SHAFT	00H02900011	1
22	ADH. TAPA EMBRAGUE / CLUTCH COVER STICKER	PU000138006	2

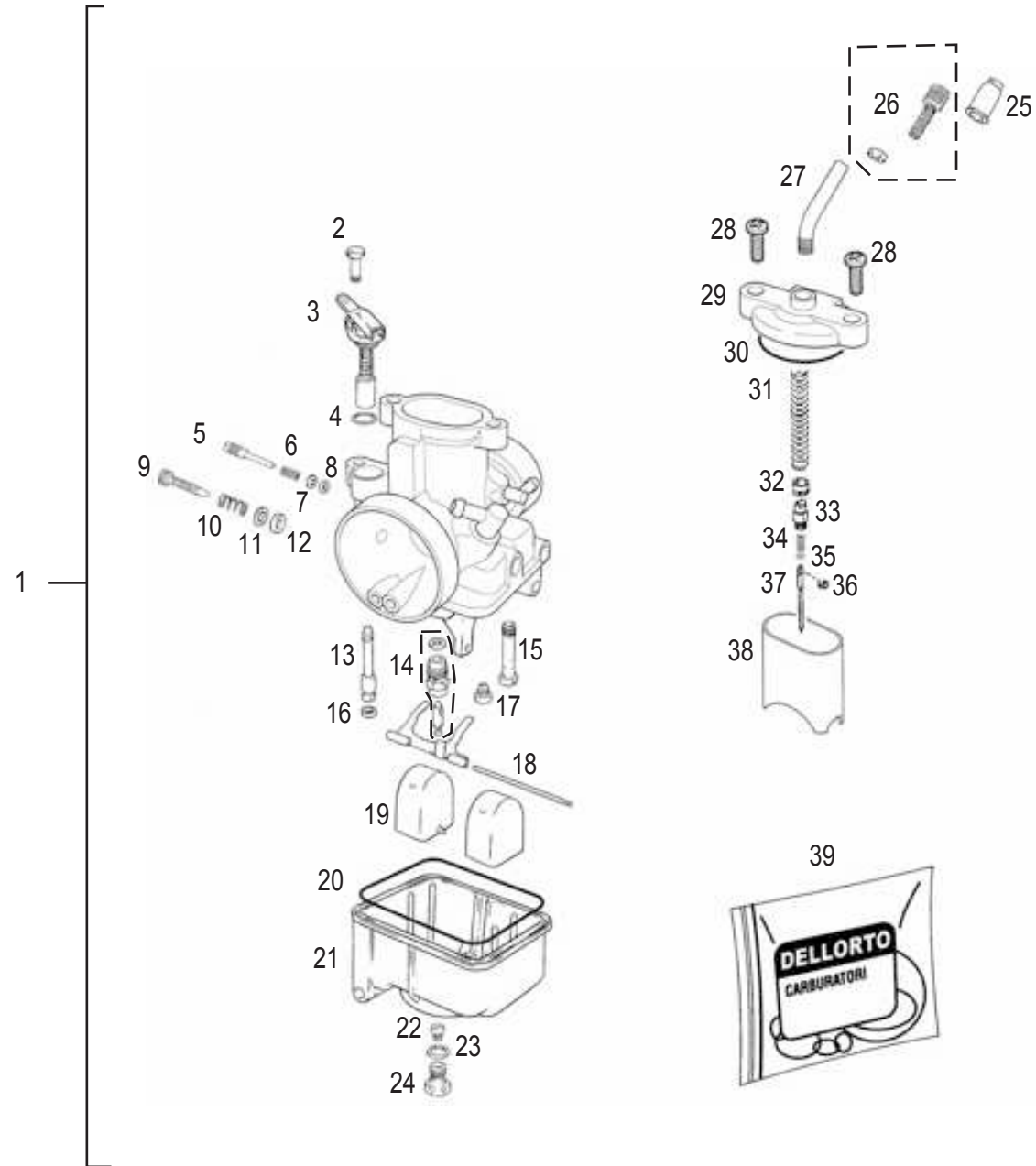
Selector cambio/  
Shift cam

**GAS GAS**

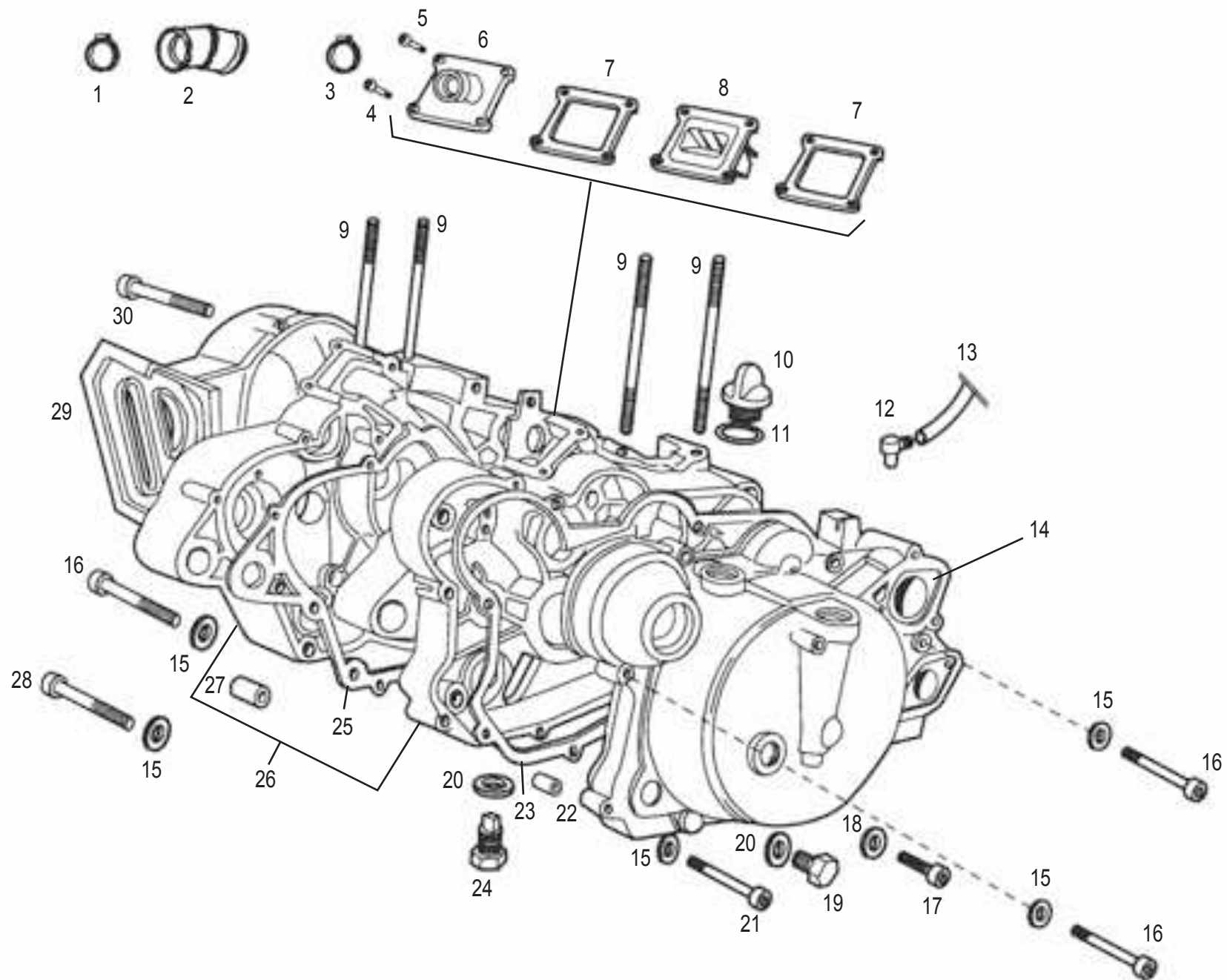
MC 65 '06



Nº	DESCRIPCION / DESCRIPTION	MC 65 '06	Cant.
1	HORQ.SECUNDARIA.4-6V. / FORK OUTPUT	00H02820651	2
2	EJE HORQ.SECUNDARIA / SECONDARY FORK SHAFT	00H02800881	1
3	EJE HORQ.PRIMARIA. / PRIMARY FORK SHAFT	00H02800891	1
4	HORQ.PRIMARIA.V-VI.FORK OUTPUT	00H02820661	1
5	ARAND.TAMBOR DISTRIBD.0,5.4/6V / WASHER 0,5 4-6V.	00D04000291	2
6	CABEZA MANDO TAMBOR. / DRUM HEAD	00H02810631	1
7	ARAND.PIÑ.CONTR/MAND.TAMBOR / SCREW	00H02800801	1
8	TOR. AV. ALL. 5M80X10 / ALLEN COUN. HEA SCR.5M80X10	000000135110	1
9	RODILLO.4X6. / ROLLER 4X6	00000066060	1
10	TOR.GUIA FIJ.MARCHAS / SCREW	00H02700451	1
11	SCTO.PALANCA FIJ.MARCHAS. / LEVER FIXING GEARS	00H02700491	1
12	TAMBOR DISTRIBUIDOR / SHIFT DRUM	00H02802861	1
13	MUELLE FIJ.MARCHAS. / GEAR FIXING SPARING	00H02700441	1
14	VESPARRG.MUELLE SELEC. / SCREW, SELECTOR SPRING ADJ.	00H02700231	1
15	MUELLE SELECTOR. / SPRING, SELECTOR	00H02700251	1
16	ANIL.S.EJES D12.D6799.111013-2 / CIRCLIP, BRAKE SHOE RETENTION	00047031100	1
17	ARAND.SEGURO TAMBOR COPPA / WASHER	00002028770	1
18	SCTO.EJE SELECTOR. / S-ASSY. SELECTOR SHAFT	00H02700151	1
19	RET.EJE MANDO SELEC.12.20.5. / OIL SEAL, SELECTOR SHAFT	00002027280	1
20	CTO.PALANCA CAMBIO / GEARSHIFT ASSY.	00H02703421	1
21	ARAND.MUELLE D.6 / SPRING WASHER D6	00442060002	1
22	TOR.C/ALLEN 6M100X25 D-912 / HEX.SOCKET-HEAD SCREW 6M100X25	00002062511	1



1	CARBURADOR PHBL 26 BS / PHBL CARBURETOR COMPLETE	1
4	TÓRICAS STARTER / CHOKE O'RING	1
8	TÓRICA TORNILLO REG. AIRE / O'RING SCREW BOLT REG. AIR	1
12	TÓRICA TORNILLO REG. COMP. / O'RING SCREW REG. SLIDE VALVE	1
13	CHICLE STARTER 60 / JET CHOKE 60	1
15	EMULSOR / NEEDLE JET	1
19	FLOTADOR 2X2 / FLOAT 2X2	2
20	TÓRICA CUBETA GASOLINA / O'RING FUEL BOWL	1
22	CHICLE PRINCIPAL / MAIN JET	1
23	TÓRICA TAPÓN CUBETA / O'RING	1
24	TAPÓN CUBETA GASOLINA / FUEL BOWL BOLT	1
30	TÓRICA TAPA CARBURADOR / O-RING COVER CARBURETOR	1
35	ARANDELA / WASHER	1
36	CLIP / CLIP	1
37	AGUJA / NEEDLE	1
39	KIT JUNTAS CARBURADOR / GASKET CARBURETOR KIT	1

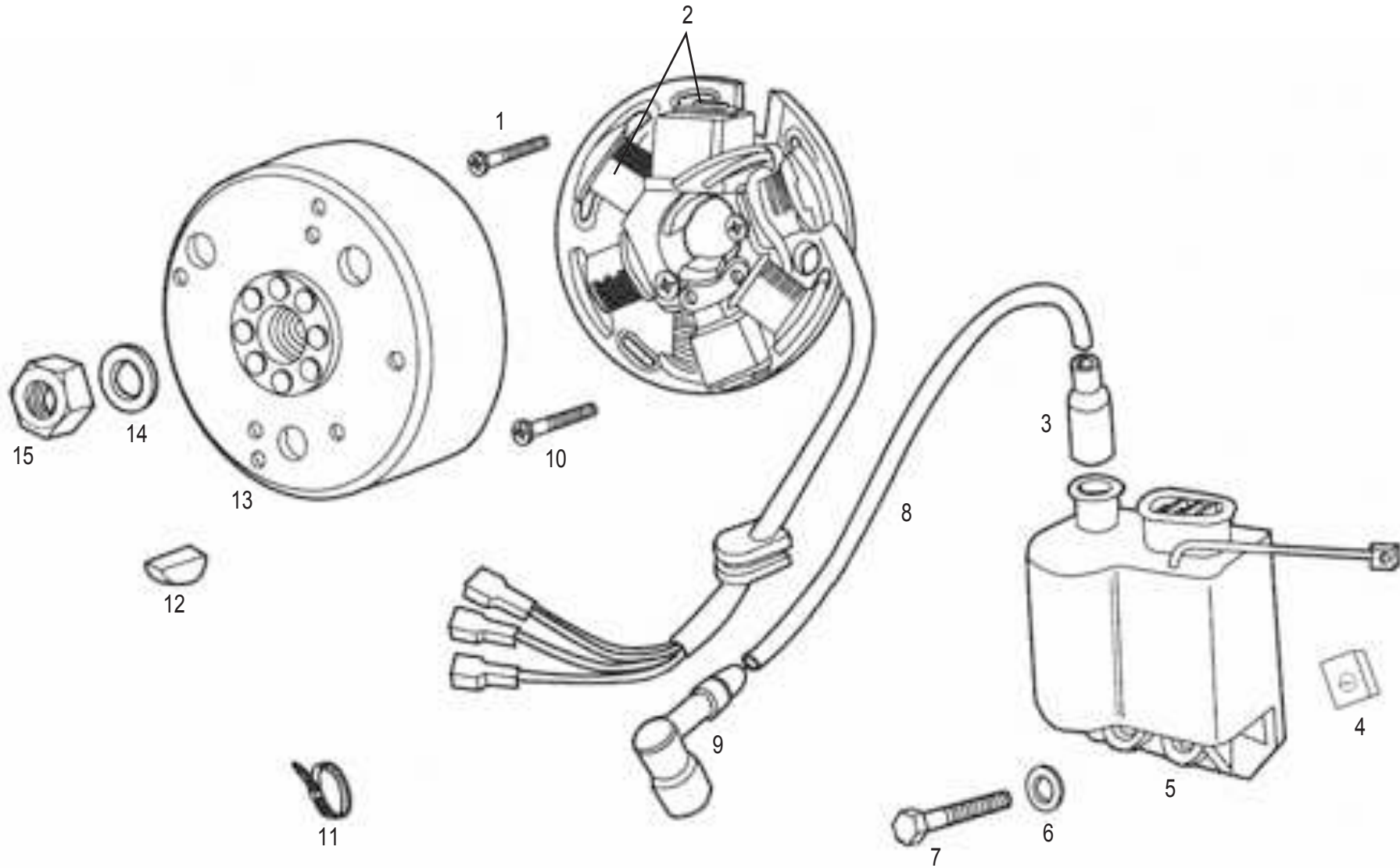


Nº	DESCRIPCION / DESCRIPTION	MC 65 '06	Cant.
1	BRIDA OTIKER / COLLAR OTIKER	00H02501491	1
2	CASQ.UNION BOQ.CARB. / COMPLING SLEEVE INTAKE	00H02502891	1
3	BRIDA OTIKER	00H02500491	1
4	TOR.C/ALLEN.6M100X25. / HEX.SOCKET-HEAD SCREW 6MX25	00G03000211	1
5	TORNILLO / SCREW	00F05000061	1
6	BOQUILLA CARBURANTE / INTAKE MANIFOLD,	00H02507061	1
7	JUNTA SOPTE.VALVULA ADMIS. / INLET VALVE GASKET	00H02500811	2
8	CTO.CAJA LAM.ADM.2598- / INLET BOX	00H02510641	1
9	ESPARRG.FIJ.CILINDRO. / STUD CYLINDER	00003130050	4
10	TOR.LLENADO ACEITE / OIL FILLER SCREW	00H03000081	1
11	ANILLO TORICO TAPON NIV.ACTE. / WASHER SEALING	00001130370	1
12	RACORD SALIDA GASES CART.4-6V. / CRANKCASE VENT RACCORD	00005530600	1
13	TUBO RESPIR.DPTO.ACTE.GPR/75. / VENT PIPE OIL TANK	00H03700461	1
14	SCTO.TAPA CARTER DR. / CRANKCASE COVER	00H03002884	1
15	ARAND.PLANA MECANIZ.D.6.DIN125 / MACHINED FLAT WASHER D6 DIN-12	00000031060	5
16	TOR.C/ALLEN.6M100X40.D-912.8.8 / HEX.SOCKET-HEAD 6MX40	00G03002091	3
17	TOR.C/ALLEN.6M100X10.DIN- / ALLEN SCREW M6X10	00002061011	1
18	ARAND.NIVEL ACEITE.D.6.ANTOR. / WASHER, SEALING	00003102280	1
19	TOR.VACIADO ACEITE. / PLUG, DRAIN	00A03000132	1
20	ARAND.VACDO.ACTE.VARIANT. / GASKET, DRAIN PLUG	00A03000121	2
21	TOR.C/ALLEN.6M100X35.D-912/8.8 / ALLEN SCREW 6M100X3	00G03001091	1
22	PASADOR UNION CARTER. / DOWEL PIN, CRANCKASE	00002030020	1
23	JUNTA TAPA CARTER DR. / GASKET RIGHT-HAND COVER	00H03000141	1
24	CTO.TOR.VACDO.ACTE. / DRAIN PLUG W/MAGNET	00A03001422	1
25	JUNTA CARTERS / GASKET, CHANKCASE	00H03000031	1
26	CTO.CARTER / CRANKCASE ASSEMBLY	00H03003634	1
27	SEPARAD.SILENT.DT.CARTER / BUSHING	00H03010361	1
28	TOR.C/ALLEN.6M100X50.D-912.8.8 / HEX.SOCK-HEAD SCR.6M100X50D912	00H03000091	1
29	TAPA CARTER IZ. / CRANCKASE COVER LEFT	00H03000242	1
30	TOR.C/ALLEN.6M100X30. / HEX.SOCKET-HEAD SCREW	00G039008211	1

Volante magnético /  
Flywheel magneto

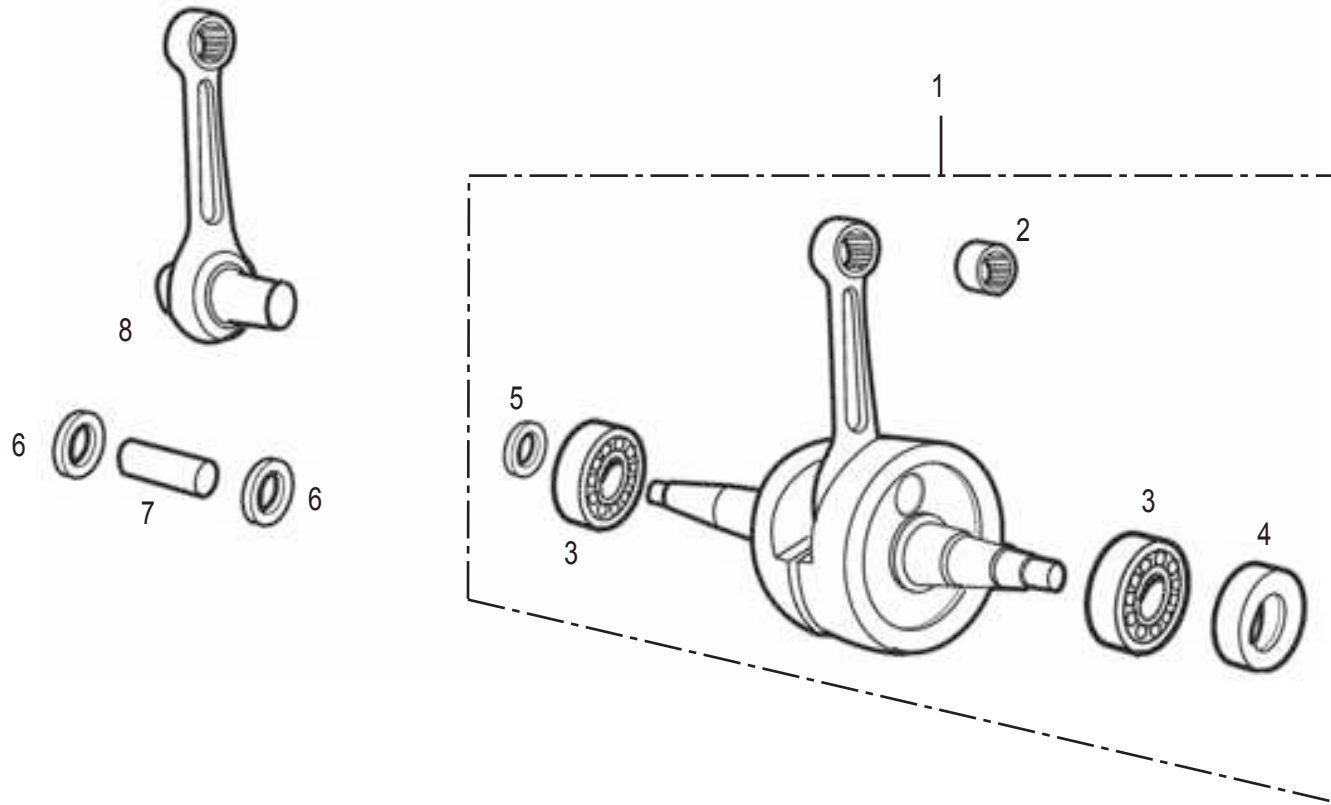
**GASGAS**

MC 65 '06



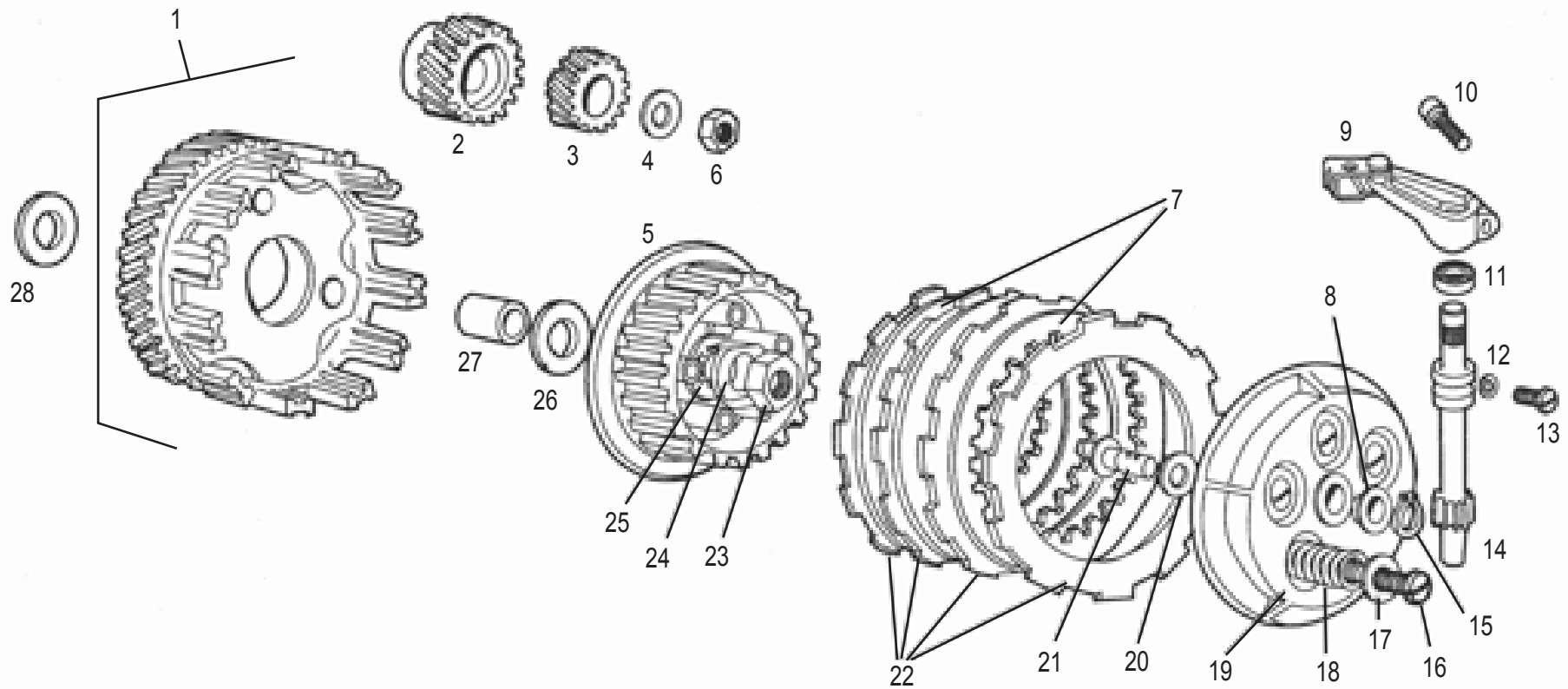


Nº	DESCRIPCION / DESCRIPTION	MC 65 '06	Cant.
1	TOR.FIJ.VOLTE.MAGN.5M80X10. / SCREW, STATOR PLATE	00003133260	1
2	R-CTO STATOR VOL.ELEC. (DUCATI) / STATOR PLATE	00H03300701	1
3	CAPUCHON CABLE BOBINA SCO-50. / COIL CABLE RUBBER PROTECTOR	00F03300731	1
4	TCA. FIJ.CUBRECAD.212827 / NUT	00D01501371	1
5	CTO CONVERSOR ELECTR. (DUCATI) / COIL, PRIMARY IGNITION	00H03330171	1
6	ARAND.PLANA MEC.D.5.DIN125-B / MACHINED FLAT WASHER D5	00D01200171	1
7	TOR.C/EXAG. 5M80X16.DIN-933 / HEX.HEAD SCREW 5M80X15	00012162000	1
8	CABLE BOBINA.START.A.E. / CABLE COIL PRIMARY IGNITION	00F03310741	1
9	CTO. PIPA BUJIA (MTA.) / COVER, SPARK PLUG	00G03301271	1
10	TOR.C/RED.CRUIZ 4M70X20 D7985NG / ROUNDHEAD PHILIPS SCREW 4MM-7	00000012420	1
11	BRIDA UNECABLES NEGRA / BLACK CABLE TIE	00F00900531	1
12	CHAVETA VOLTE.MAGN.P.REC.MCH. / KEY, FLYWHEEL	00003133230	1
13	CTO VOLANTE ELECTRONICO (DUCATI) / MAGNETO ASSEMBLY	00H03301011	1
14	ARAND.FIJ.VOLTE.MAGN.SCO.DCT. / WASHER, FLYWHEEL 10MM	00F03300241	1
15	TCA.FIJ.VOLTE.MAGN. / NUT,MAGNETO ASSEMBLY	00H03300221	1

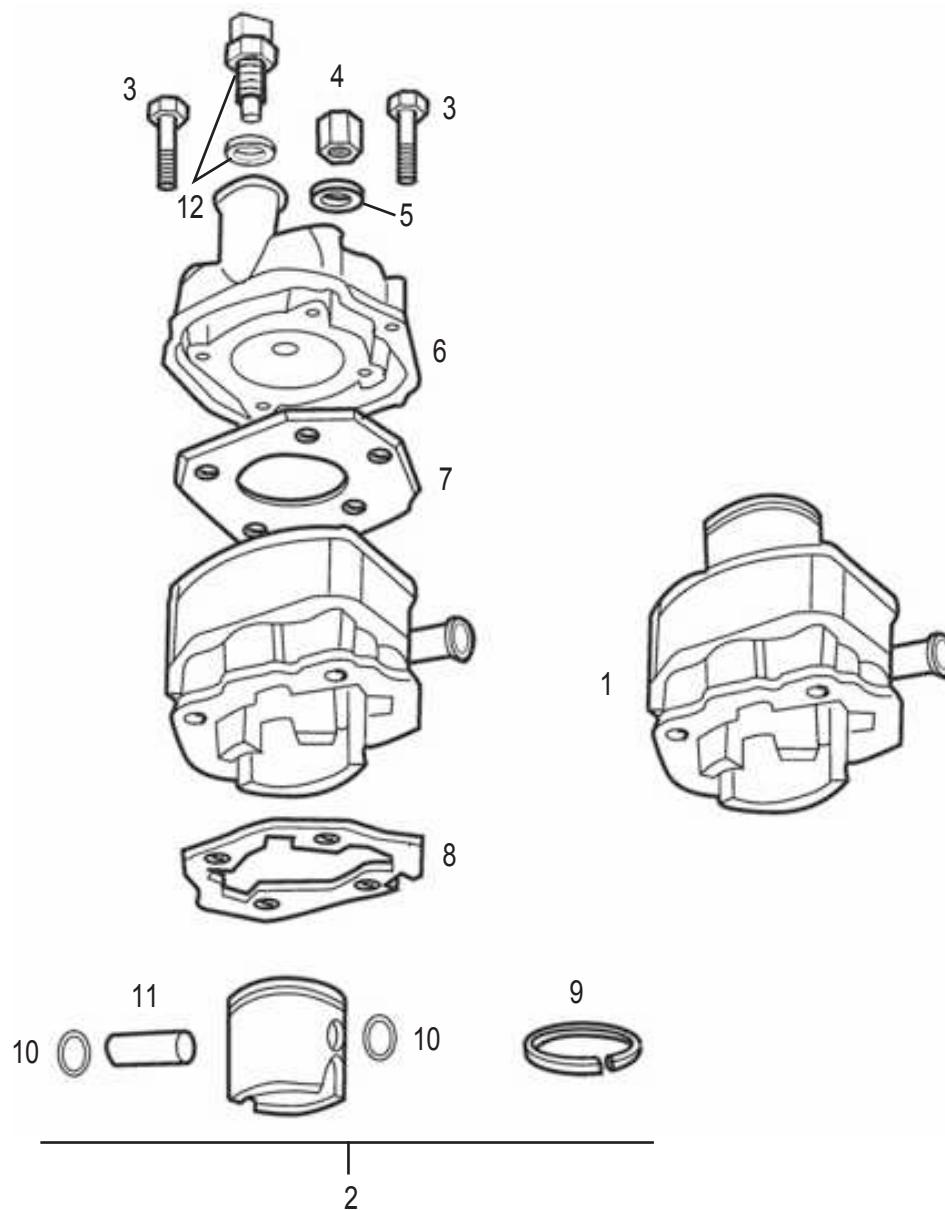


Nº	DESCRIPCION / DESCRIPTION	MC 65 '06	Cant.
1	CTO.CIGÑ.-BIELA / CRANK SHAFT ROD.	00H02506141	1
2	JAULA PIE BIELA.KBK-12.15.15. / BEARING, PISTON PIN	00002125170	1
3	COJINETE 6204 PX2 V4 / BEARING	00059220400	2
4	RETEN CIGÑAL.DCH.20.35.7. / SEAL, CRANKSHAFT	00H02500301	1
5	RETEN CIGUENAL SCOO.74,20.35.7 / SEAL, OUTPUT SHAFT	00E02500231	1
6	ARAND.REG.CAB.BIELA / THRUST WASHER	00002225220	2
7	EJE CUELLO CIGÑAL.16.4-6V. / CRANKSHAFT PIN	00002025190	1
8	R-CTO.BIELA / CONNECTING ROD W/BEARING AND P	00H05001011	1

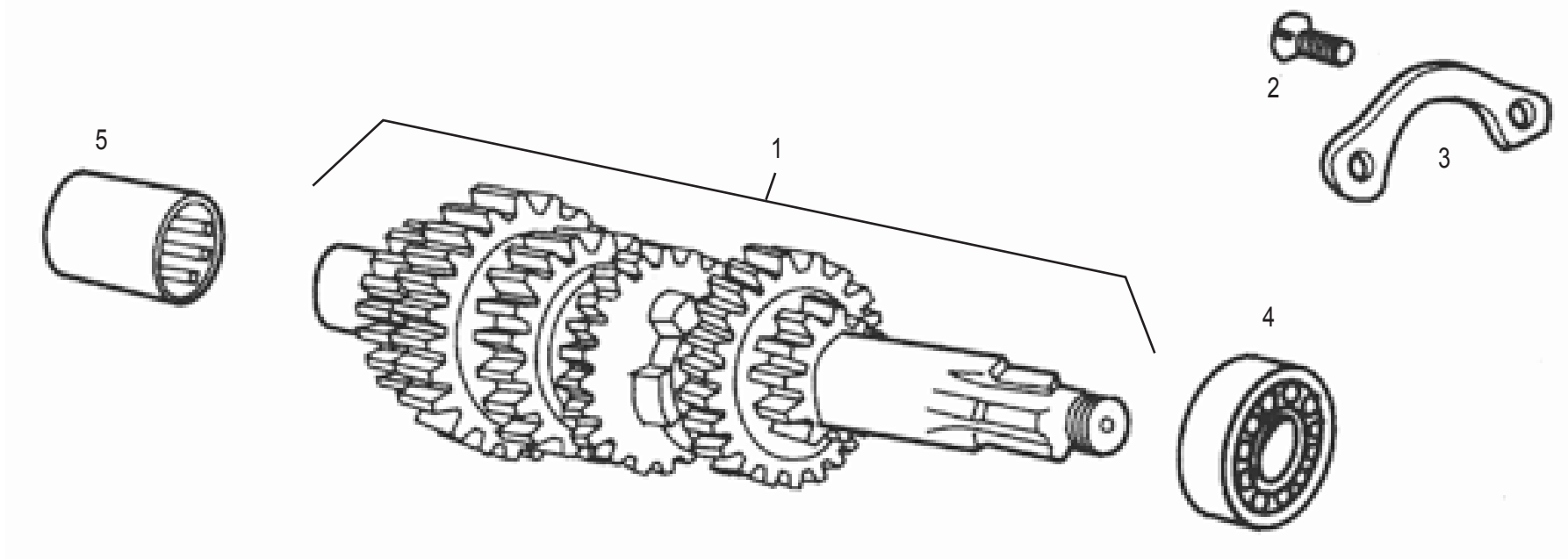




Nº	DESCRIPCION / DESCRIPTION	MC 65 '06	Cant.
1	R-CTO.RUEDA AMORT.EMBRAG. / CLUTCH HOUSING AND DAMPER	00H03603521	1
2	PIÑON MOTOR.Z-22. / PRIMAY GEAR Z-22	00H02601381	1
3	PIÑON MANDO BOMBAS.Z-14. / PUMP GUIDE GEAR	00H03800181	1
4	ARAND.FIJ.PIÑON MOTOR / WASHER	00H02600651	1
5	CAMPANA CONDUCTIDA.4-6V.A.A. / CLUTCH HUB.	00H02600111	1
6	TCA.FIJ.PIÑON MOTOR / NUT CRANKSHAFT	00H02600401	1
7	DISCO CONDUCTIDO / DRIVEN CLUTCH PLATE	00H02600151	2
8	ARAND.TOPE PIÑON INTERMD. / THRUST PLATE	00H05000281	1
9	SCTO.PALANCA DESEMBRG.GPR-75. / CLUTCH LEVER	00H02600322	1
10	TOR. 6M100X20 D.7380 / HEX.SOCKET-HEAD SCREW6M100X20	00052062011	1
11	RET.EJE MANDO SELEC.12.20.5 / OIL SEAL, SELECTOR SHAFT	00002027280	1
12	ARAND.TOR.VACIADO AGUA / WASHER	00H03800441	1
13	TOR.FIJ.EJE DESEMB. / SHAFT FIXING BOLT	00H02600342	1
14	EJE DESEMBRAGUE. / CLUTCH SHAFT	00H02610311	1
15	ANILLO SEG.EJES D10.DIN-471. / CIRCLIP, BRAKE SHOE RETENTION	00000047110	1
16	TOR.C/RED.CRUIZ.5M80X35.DIN7985 / SCREW M5X35	00012053500	5
17	ARAND.TOPE MUELLE EMBRG.4-6V. / CLUTCH SPRING STOP WASHER	00D02600631	5
18	MUELLE REGULAC.EMBRAGUE. / CLUTCH SPRING	00H02600211	5
19	TAPA CIERRE EMBRAG.6V. / OUTER CLUTCH PLATE	00H02600181	1
20	RODAMTO.AXIAL CREMALL.EMBRG. / BALL BEARING	00H02600551	1
21	CREMALLERA EMPUJE EMBRG. / PUSHING CLUTCH	00H02600271	1
22	SCTO.DISCO CONDUCTOR. / CLUTCH PLATE	00H02601161	4
23	TCA.EMBRG.4V.ANT./COPPA. / CLUTCH NUT	00000326260	1
24	PRECTO.TCA.EMBRG. / WASHER, RETAINING	00006826230	1
25	ARAND.TOPE PIÑON INTERMD. / THRUST PLATE	00H05000281	1
26	ARAND.ROZAMTO.CAMPANA. / WASHER, SPLINED	00D02600552	1
27	CASQ.BUJE EMBRAGUE. / BUSHING	00H02601011	1
28	ARAND.PROTEC.INT.BUJE EMBRAG / WASHER, CLUTCH HUB	00002026020	1



N°	DESCRIPCION / DESCRIPTION	MC 65 '06	Cant.
1	R-CTO.CILIN.-PISTON / CYLINDER PISTON ASSEMBLY	00H05007123	1
2A	CTO.PISTON (A) / PISTON (A)	00H02542091	1
2B	CTO.PISTON (B) / PISTON (B)	00H02552091	1
2C	CTO.PISTON (C) / PISTON (C)	00H02562091	1
2D	CTO.PISTON (D) / PISTON (D)	00H02572091	1
3	TOR.FIJ.CARTERS.(6X35) / CRANKCASE SECURING SCREW	00G03001091	2
4	TCA.FIJ.MANILL.-CULATA / HANDLEBAR LOCK NUT	00008202730	4
5	ARAND.FIJ.CULATA. / SECURING WASHER, CYLINDER HEAD	00003125280	4
6	CULATA / CYLINDER HEAD	00H02512013	1
7	JUNTA CULATA. / GASKET CYLINDER HEAD	00H02505021	1
8	JUNTA CILINDRO. / GASKET, CYLINDER	00H02500041	1
9	R-ARO PISTON.SENDA (ASSO) / PISTON RING	00H02502111	1
10	R-ANILLO BULON.6V-(ASSO) / CIRCLIP, PISTON PIN	00H02501131	2
11	R-BULON PISTON 6V.(ASSO) / PISTON PIN	00H02502121	1
12	TERMOCONTACTO / CLUTCH PLATE	00H02302441	1





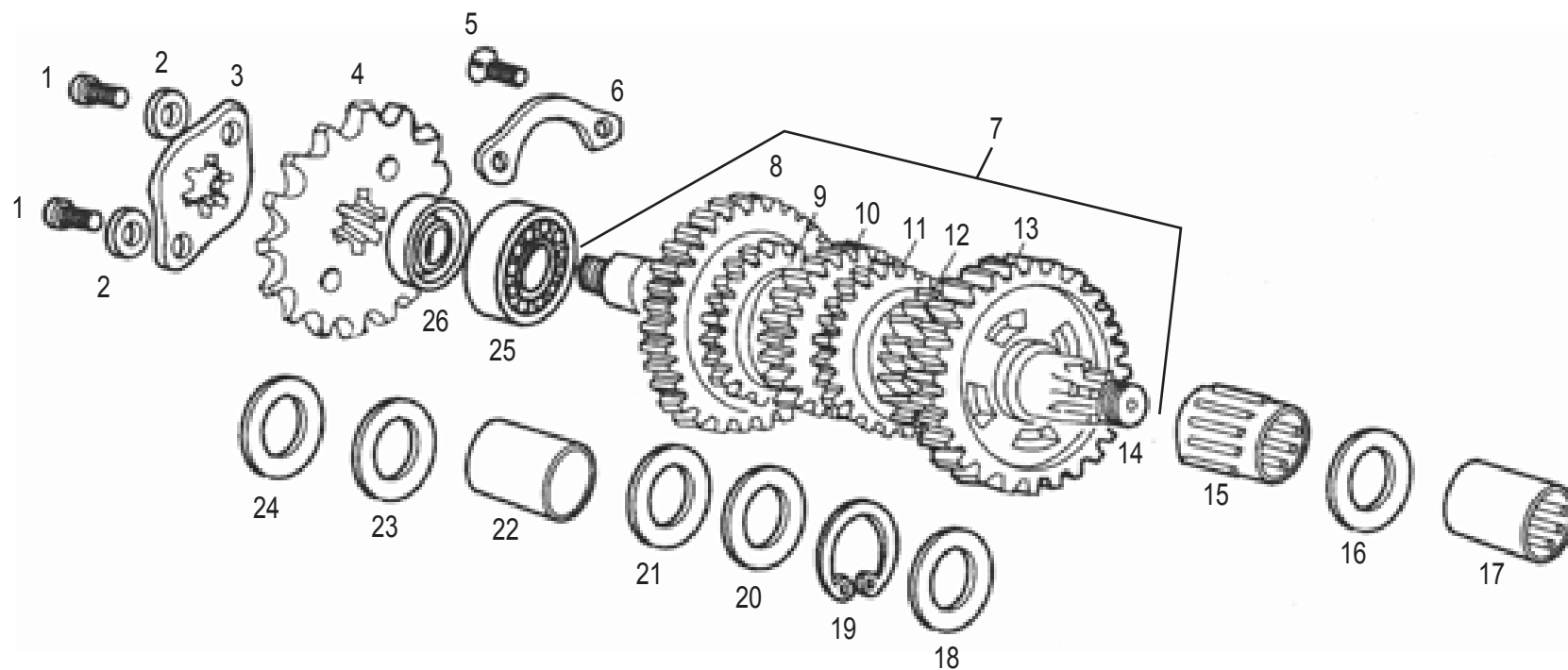
N°	DESCRIPCION / DESCRIPTION	MC 65 '06	Cant.
1	SCTO.EJE PRIMARIO. / DRIVE SHAFT.	00H02801291	1
2	TOR.AV.ALL.5M80X10 / ALLEN COUN.HEA SCR.5M80X10	00000013510	1
3	PREC.COJINETE EJE PRIM.80CC. / PLATE POSITION BALL BEARINGS	00H02800901	1
4	COJINETE 6203-C3.17.40.12 / BEARING	00058020301	1
5	CASQ.AGUJAS EJES I-II.HK-1412. / NEEDLE BEARING, GEAR SHAFTS	00002028450	1



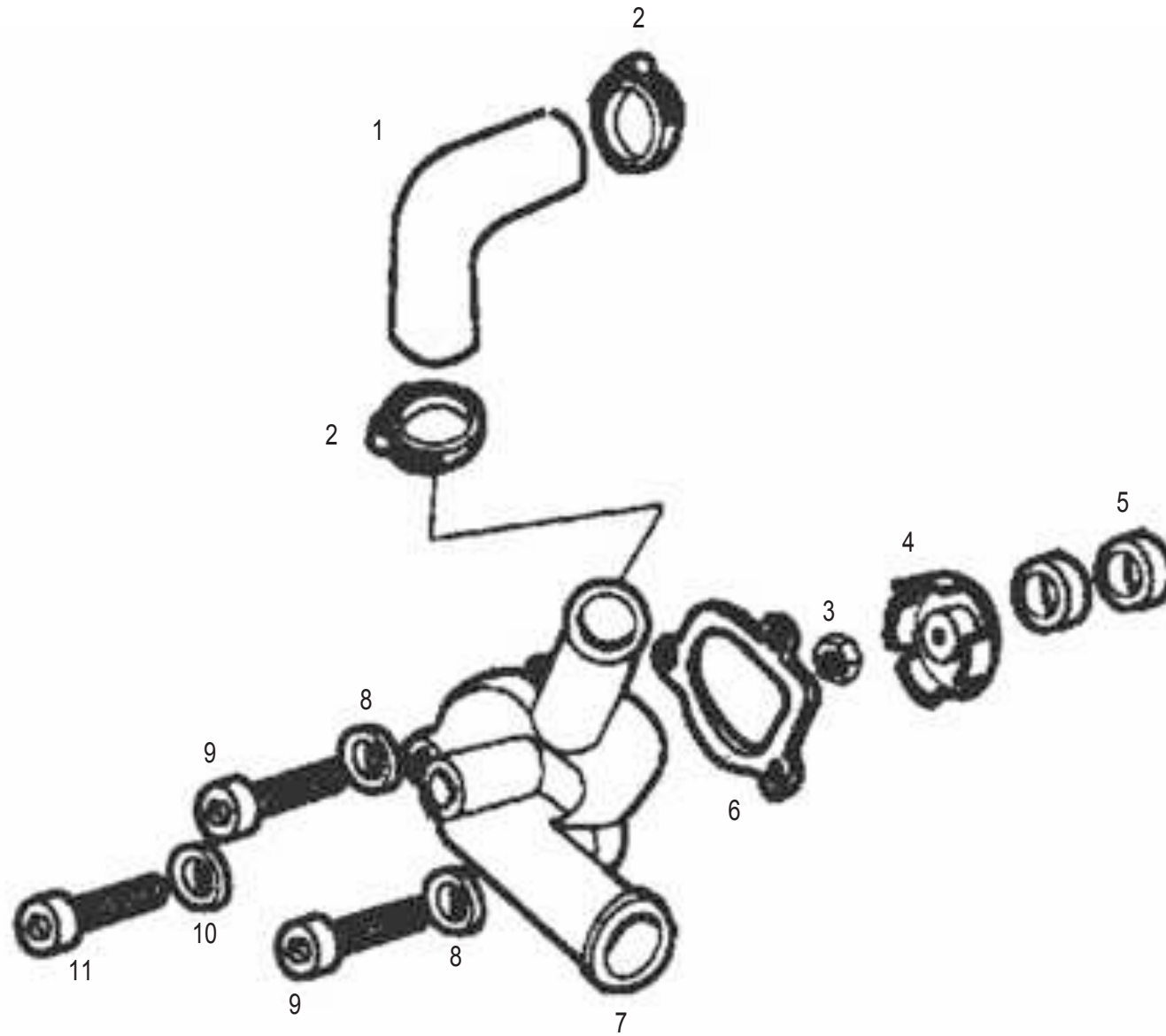
Eje secundario /  
Counter shaft

**GASGAS**

MC 65 '06



Nº	DESCRIPCION / DESCRIPTION	MC 65 '06	Cant.
1	TOR.C/ALLEN 5M80X10NEGRO / ALLEN SCREW M5X10	00000004510	2
2	ARAND.EST. INT.D.5. / MACHINED FLAT WASHER D5	00000034050	2
3	PREC.PIÑON SALIDA CAMB.50.4V / LOCKWASHER, COUNTERSHAFT SPROK	00H02810421	1
4A	PIÑON SALIDA CAMB.Z-12 / GEARBOX OUTPUT PINION Z-12	00H02806371	1
4B	PIÑON SALIDA CAMB.Z-13 / GEARBOX OUTPUT PINION Z-13	00F02804371	1
5	TOR.AV.ALL.5M80X10 / ALLEN COUN.HEA SCR.5M80X10	00000013510	1
6	PRECTO.COJNTS.EJES PRIM./SEC. / PLATE POSITION, BALL BEARINGS	00002028900	1
7	CTO.EJE SECUNDARIO. / OUTPUT SHAFT	00H02805131	1
8	PIÑON SECUND.II.Z-30 / SECONDARY GEAR	00H02801221	1
9	PIÑON SECUND.VI.Z-22.6V. / OUTPUT GEAR 6TH.	00H02810741	1
10	PIÑON SECUND.IV.Z-24 / SECONDARY GEAR	00H02801481	1
11	PIÑON SECUND.III.Z-27.6V. / OUTPUT GEAR 3RD.	00H02810231	1
12	PIÑON SECUND.V.Z-23.6V. / OUTPUT GEAR 5TH.	00H02810411	1
13	PIÑON SEC.I.Z-34.BI-3. / OUTPUT GEAR 1ST	00H02820211	1
14	EJE SECUND.6VI98 / OUTPUT SHAFT	00H02802161	1
15	CORONA AGUJ.PIÑ.2-1A.K14X18X8F / NEEDLE BEARING	00D02820101	1
16	ARAND.REGLAJE EJE SECUNDARIO / WASHER	00H02800181	1
17	CASQ.AGUJAS EJES I-II.HK-1412. / NEEDLE BEARING, GEAR SHAFTS	00002028450	1
18	ARAND.ROZAMTO.PIÑON SECUND.I / WASHER	00H02800251	1
19	ANILLO SEG.PIÑONES.D18. / CIRCLIP D 18	00002028550	1
20	ARAND.PIÑS.SECUND.III/IV.A.A. / WASHER	00H02800561	1
21	ARAND.ROZAMT.PIÑON SEC.II. / WASHER.	00H02820561	1
22	CASQ.PIÑON SECUND.II. / BUSHING	00H02800241	1
23	ARAND.ROZMTO.PIÑ.PRIM.V. / WASHER.	00H02810561	1
24	ARAND.COJINT.EJE SECUNDARIO / LAYSHAFT BEARING WASHER	00H02810181	1
25	COJINETE 6203-C4.17.40.12 R1.5 / BEARING	00057120300	1
26	RETEN.PIÑON SALIDA CAMB. / SEAL SSPROCKET	00H02800401	1



Nº	DESCRIPCION / DESCRIPTION	MC 65 '06	Cant.
1	TUBO REFR.BOMBA-CILIND. / PUMP CILINDER RUBBER TUBE	00H03801041	1
2	ABRAZ.FIJ.MANG.A CILINDRO D21 / COBRA CLAMP	00H03800751	2
3	TCA.5M80 DE LATON / NUT	00M03800221	1
4	RODETE BOMBA AGUA.80CC. / WATER PUMP ROLLER	00H03800151	1
5	RETEN EJE BOMBA AGUA 10X24X6 / SEAL, WATER PUMP	00H03810211	2
6	JUNTA TAPA BOMBA AGUA / GASKET	00H03800141	1
7	TAPA BOMBA AGUA PARDO ABEDUL / WATER PUMP COVER	00H03800134	1
8	ARAND.PLANA MEC.D.5.DIN125-B / MACHINED FLAT WASHER D5	00000031050	2
9	TOR.C/ALLEN 5M80X15 D912/8.8NG / ALLEN SCREW M5X15	00002052051	2
10	ARAND.TOR.VACIADO AGUA / WASHER	00H03800441	1
11	TOR.C/ALLEN 5M80X12 / ALLEN SCREW M5X12	00002051251	1

# DESPIECE PART LIST

**MC/65  
2006**

**GAS GAS**

RECOMIENDA EL USO DE ACEITE:



Ref.: **PU010638025**

**Fecha de impresión: Febrero 2006**

Los componentes aquí expuestos y referenciados se basan en los datos existentes en la fecha de impresión de este manual. GAS GAS Motos, S.A. se reserva el derecho de efectuar cambios y/o modificaciones sin previo aviso.