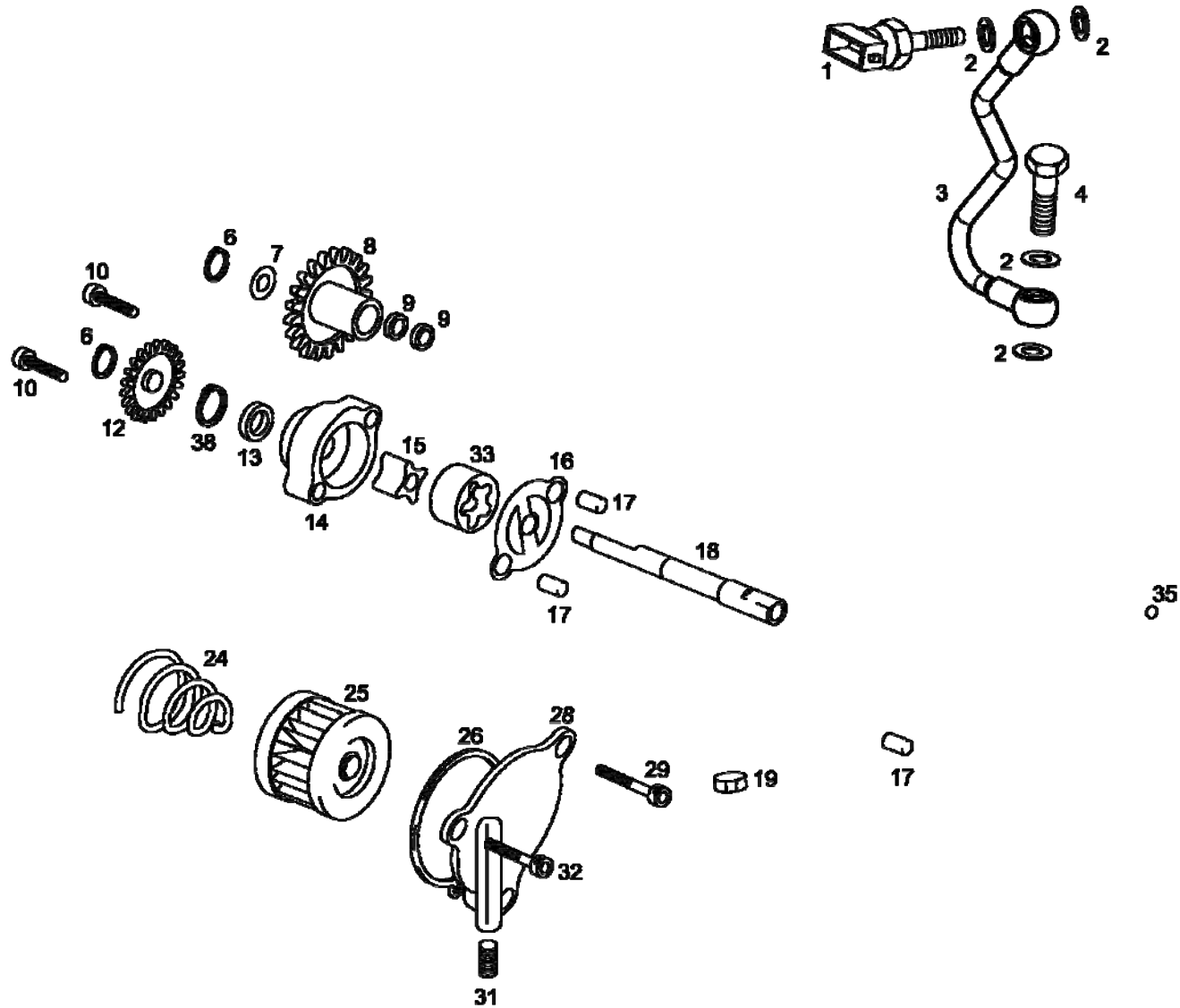




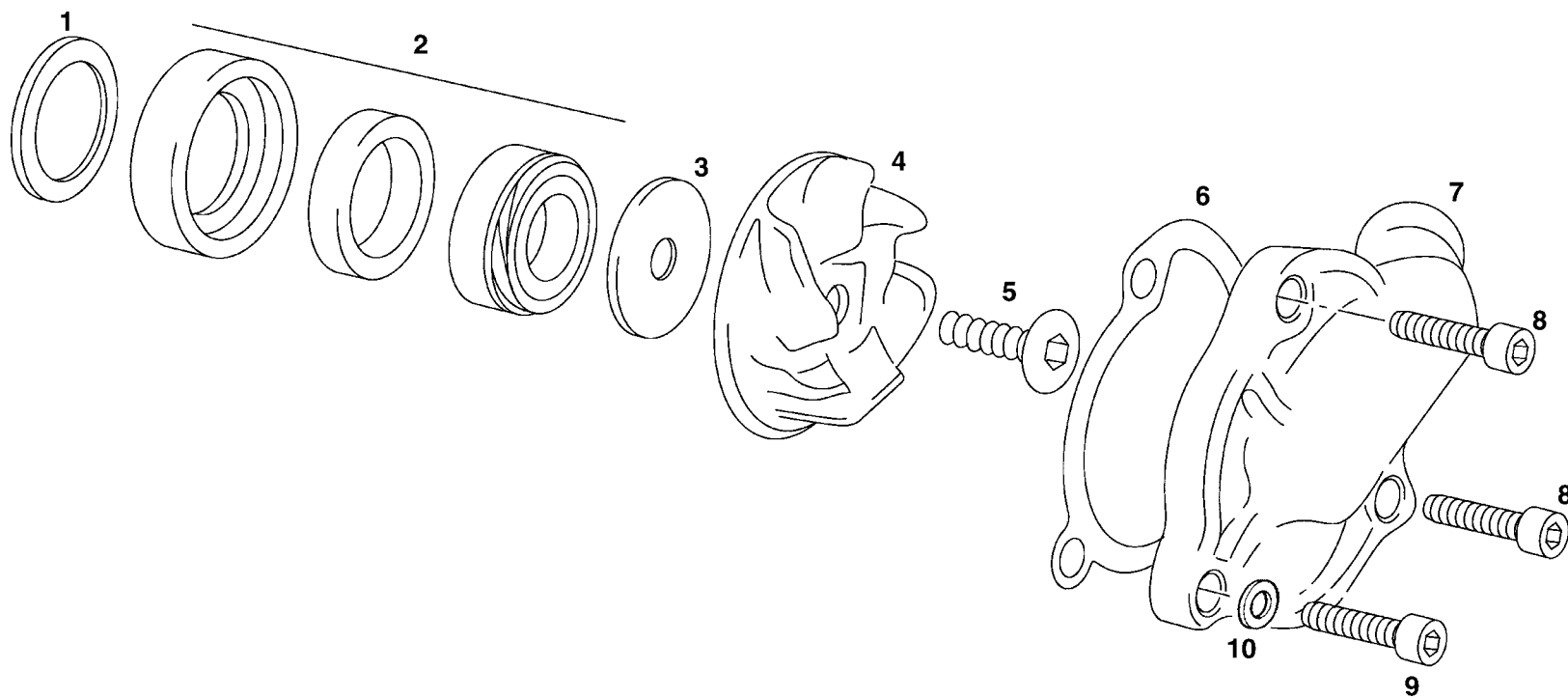
Despiece QUAD 2007



Nº	DESCRIPCION / DESCRIPTION	WILD HP 450 2007	Cant.
1	SENSOR PRESIÓN ACEITE ENDURO / ENDURO OIL PRESSION SENSOR	MFS400326568	1
2	ARANDELA COBRE 8X12X1,5 / 8X12X1,5 WASHER	T4008112	4
3	DISTRIBUIDOR ACEITE / OIL SUPPLY	MFS450710856	1
4	RACOR CIRCUITO ACEITE 10X26 / 10X26 OIL RACORD	MFS400122570	1
6	SEEGER D.8 EJE BOMBA ACEITE / OIL AXIS SEEGER	MFS400122305	2
7	ARANDELA REGLAJE 8,1X17X0,2 / 8,1X17X0,2 WASHER	ST950705	1
8	PIÑÓN INTERMEDIO BOMBA DE ACEITE / OIL PUMP INTERMEDIATE SPROCKET	MFS400122450CT	1
9	COJINETE HK 0808 / HK 0808 BEARING	MFS400126535/2	2
10	TORNILLO 6X35 / 6X35 SCREW	T0306035	2
12	PIÑÓN BOMBA ACEITE / OIL PUMP PINION	MFS400122400	1
13	COJINETE 508Z / 508Z BEARING	ME25616032	1
14	CUERPO BOMBA ACEITE PRESIÓN / OIL PUMP BODY	MFS400122230	1
15	ROTOR BOMBA ACEITE / OIL PUMP ROTOR	MFS400122105	1
16	JUNTA BOMBA ACEITE / OIL PUMP GASKET	MFS400122410	1
17	CASQUILLO CENTRADOR / CENTRER BUSHING	MFS400116066	4
18	EJE BOMBA ACEITE / OIL PUMP AXLE	MFS450622300	1
19	ABRAZADERA COBRA 21 / 21 CLAMP	L200046	1
24	MUELLE APRETADOR FILTRO ACEITE / OIL FILTER SPRING	MFS400122560	1
25	CONJ. CAMPANA ASPIRACIÓN FSE 450 2007 / FSE 450 2007 ASPIRATION SET	MFS450622565CT	1
26	TÓRICA TAPA FILTRO ACEITE / OIL FILTER COVER O'RING	MFS450622555	1
28	TAPA FILTRO ACEITE / AIR FILTER COVER	MFS450522551	1
29	TORN. ESPECIAL 6X50 / SPECIAL SCREW 6X50	T0206050	1
31	TORNILLO ESPECIAL M8 / SPECIAL SCREW M8	T0208103	1
32	TORN. ESPECIAL 6X55 / SPECIAL SCREW 6X55	T0206055	1
33	ANILLO BOMBA EATON PRESIÓN / EATON PRESSURE PUMP RING	MFS400122110	1
35	TÓRICA CENTRÍFUGO 6X2 / 6X2 O'RING	ME25616045	1
38	SEEGER RODAMIENTO / BEARING SEEGER	MFS450422240	1

GAS GAS

Motor 1



Nº	DESCRIPCION / DESCRIPTION	WILD HP 450 2007	Cant.
1	ARANDELA 17,5X25,8X0,5 BOMBA AGUA / 17,5X25,8X0,5 WATER PUMP WASHER	M03625000	1
2	JUEGO RETENES / SEAL SET	ME25610011	1
3	ARANDELA INOX. TURBINA BOMBA 6.25X21X1 / 6.25X21X1 WATER PUMP WASHER	MFS450410107	1
4	TURBINA BOMBA AGUA ALUMINIO /ALUMINIUM WATER PUMP IMPELLER	MFS450610007	1
5	ALLEN 6X16 / 6X16 ALLEN SCREW	T0506016	1
6	JUNTA TAPA BOMBA AGUA / WATER PUMP COVER GASKET	MFS450544008	1
7	TAPA BOMBA AGUA / WATER PUMP COVER	MFS450610008	1
8	TORN. ESPECIAL 6X20 / 6X20 SPECIAL SCREW	T0206020	2
9	TORNILLO ESPECIAL M6X10 / M6X10 SPECIAL SCREW	T0206020N	1
10	ARANDELA 10X6X1,5 / 10X6X1,5 WASHER	T4006010	1

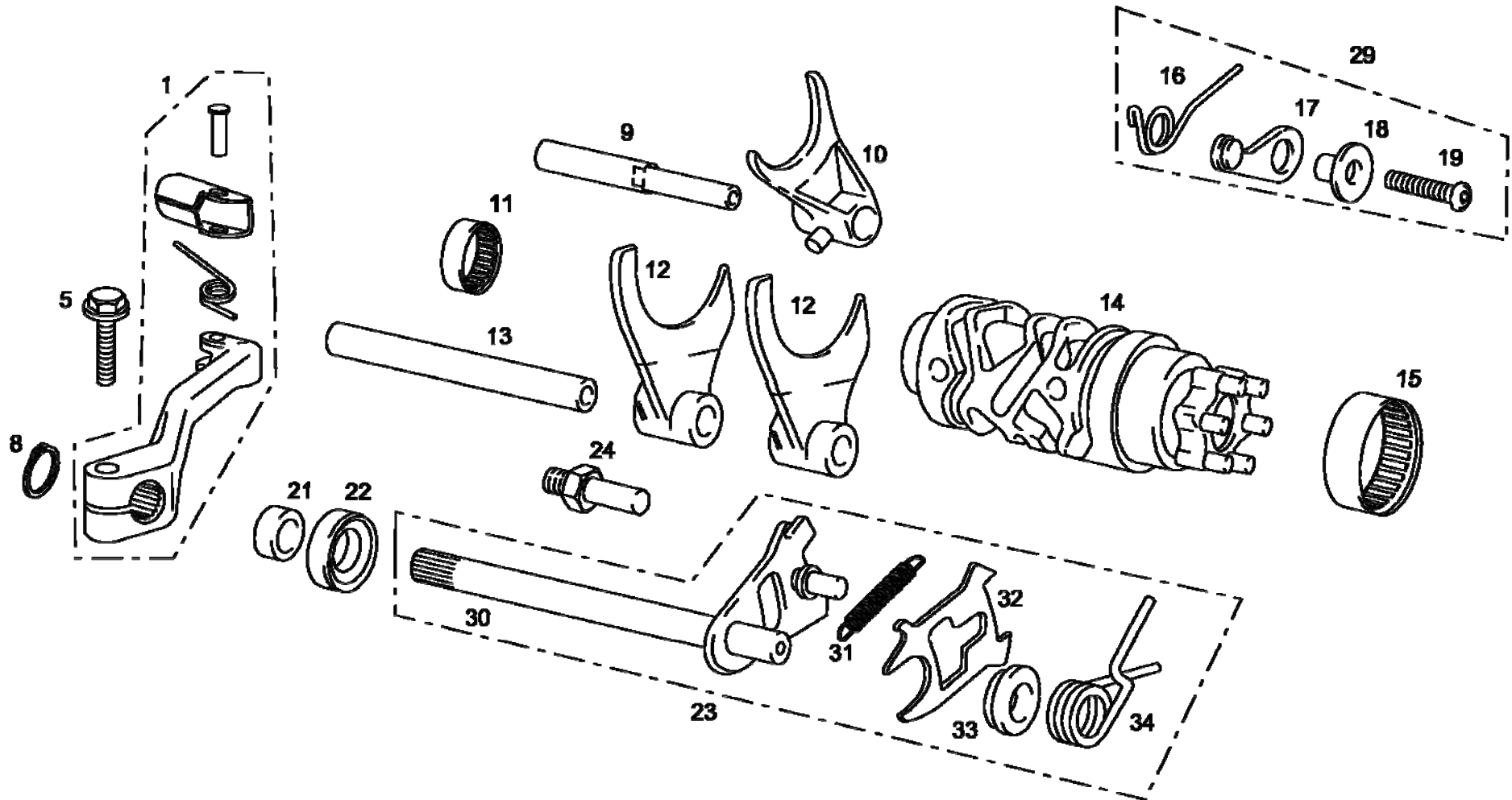
GAS GAS

Motor 2

Selector cambio /
Shift cam

GAS GAS

QUAD WILD 2007



Nº	DESCRIPCION / DESCRIPTION	WILD HP 450 2007	Cant.
1	CTO. PEDAL CAMBIO / GEAR LEVER SET	ME250036026R	1
5	HEXAGONAL 6X20 / HEXAGONAL SCREW 6X20	T0106025	1
8	SEEGER 12X1 EXTERIOR EJE SELECTOR / SEEGER 12X1	ME25636043	1
9	EJE HORQUILLA 5-6 / 5-6 FORK AXIS	MFS400136045	1
10	HORQUILLA 5-6 / SHIFT FORK 5-6	ME25636009	1
11	RODAMIENTO HK2512 DESMODRÓMICO / SHIFT CAM BEARING	ME25636055	1
12	HORQUILLA 1-2-3-4 / SHIFT FORK 1-2-3-4	ME25636008	1
13	EJE HORQUILLA 1-2-3-4 / 1-2-3-4 FORK AXIS	ME25636044	2
14	DESMODRÓMICO / SHIFT CAM	MFS450536031	1
15	RODAMIENTO HK3512 DESMODRÓMICO / SHIFT CAM BEARING	ME25636054	1
16	MUELLE FIJADOR MARCHAS / GEAR FASTEN SPRING	MFS400136034	1
17	FIJADOR MARCHAS / GEAR FASTEN	MFS400136033	1
18	CASQUILLO PLATINA FIJADOR MARCHAS / GEAR BUSHING	MFS400136047	1
19	ULS 6X16 / 6X16 ULS	T0506016	1
21	RETÉN SELECTOR 12-22-7 / SEAL 12-22-7	ME25636048	1
22	CASQUILLO EJE SELECTOR / AXIS BUSHING	ME250136050	1
23	EJE SELECTOR COMPLETO FSE 450 / FSE 450 COMPLET SELECTOR AXIS	MFS450436038CT	1
24	TORNILLO CENTRADOR MUELLE SELECTOR / SELECTOR SPRING SCREW	ME25636042	1
29	CTO. FIJADOR MARCHAS / GEAR FASTEN SET	MFS400136033CT	1
30	EJE SELECTOR / SELECTOR AXIS	ME250236038	1
31	MUELLE ESCORPIÓN / SCORPION SPRING	ME25636039	1
32	ESCORPIÓN / SCORPION	ME250236036	1
33	CASQUILLO CENTRADOR / CENTRER BUSHING	MFS450436041	1
34	MUELLE SELECTOR / SELECTOR SPRING	ME25636035	1

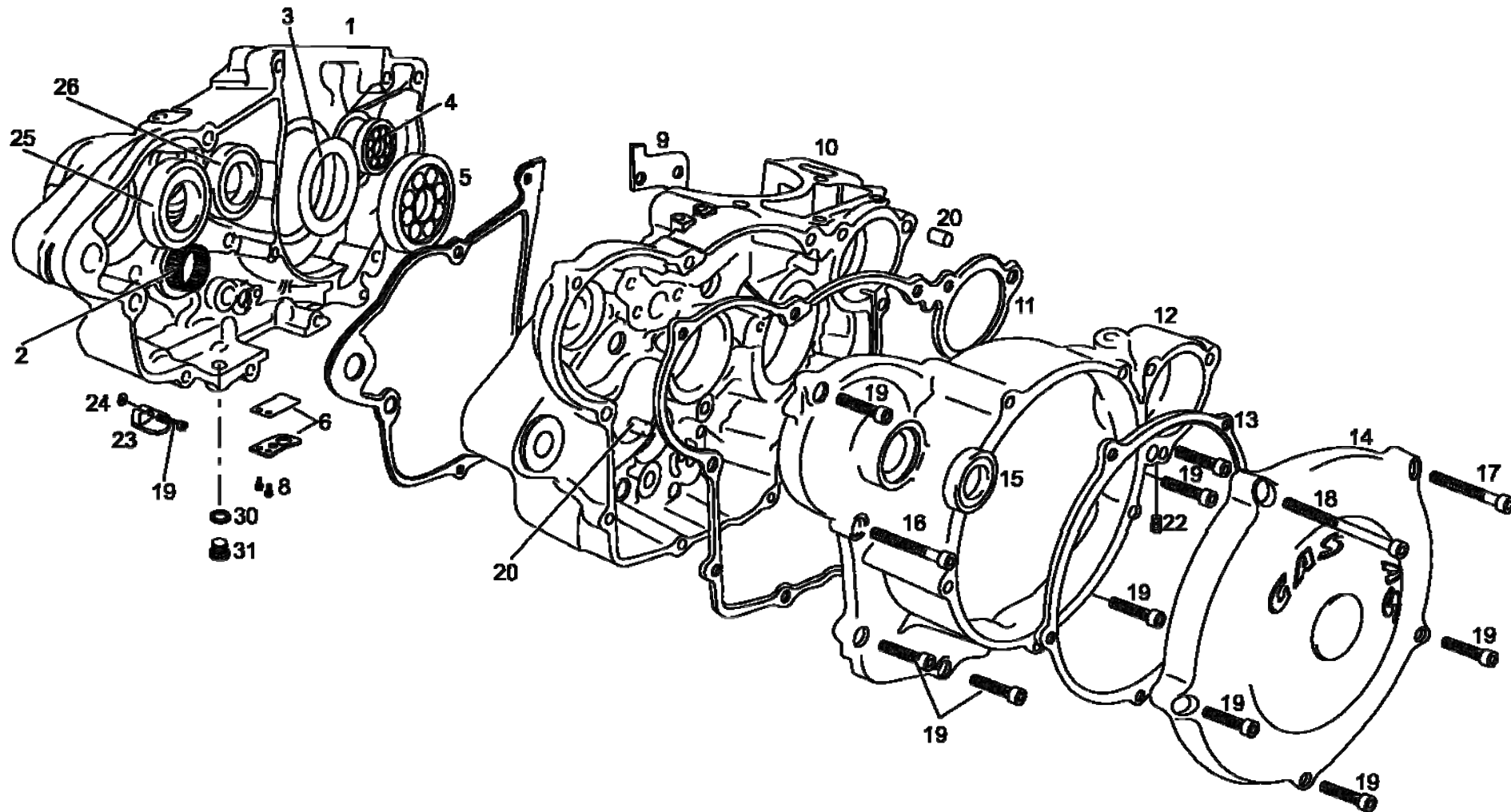
GAS GAS

Motor 3

Cárter derecho
/ Right crankcase

GAS GAS

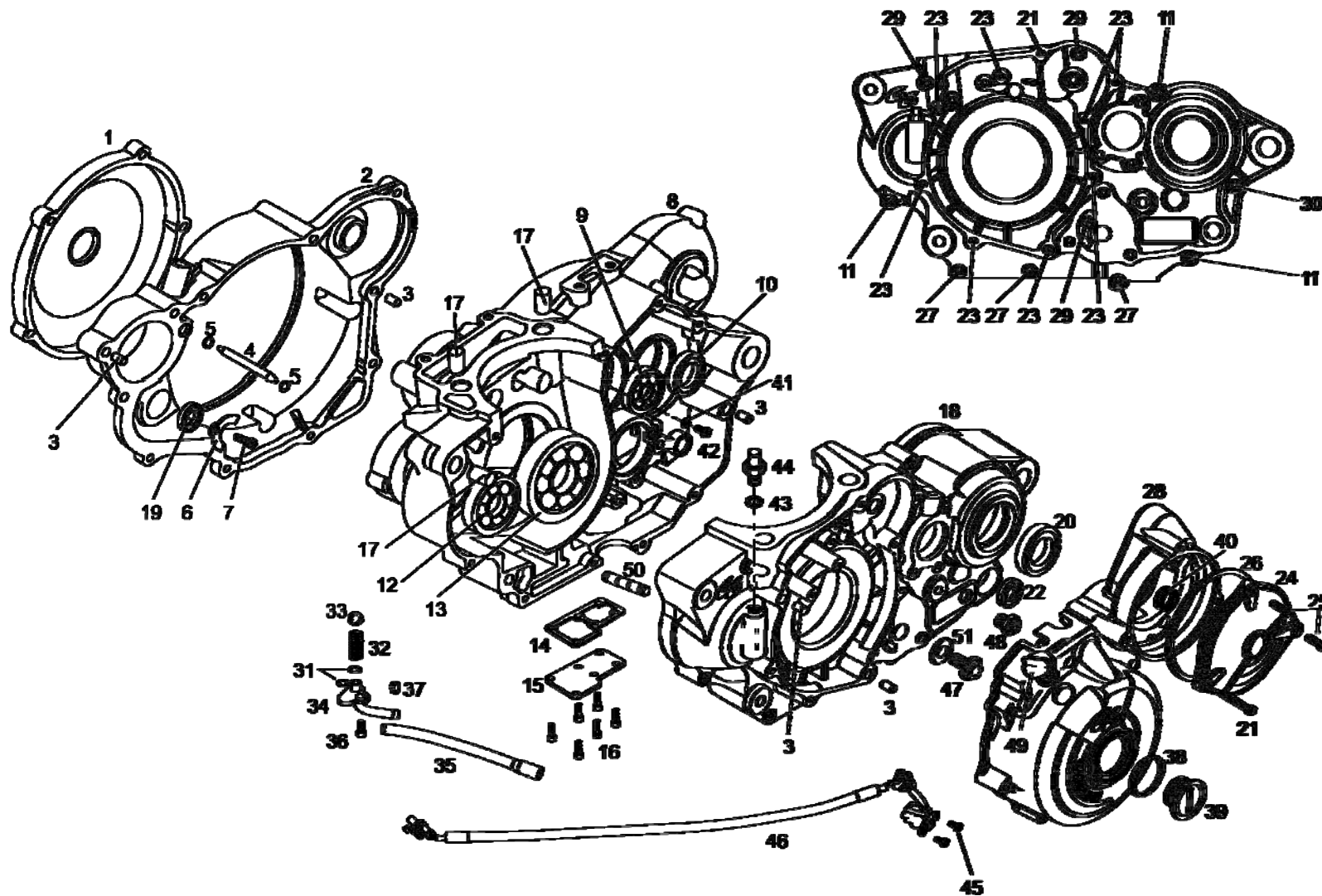
QUAD WILD 2007



Nº	DESCRIPCION / DESCRIPTION	WILD HP 450 2007	Cant.
1	CÁRTER IZQUIERDO / LEFT CARTER	MQ450710001	1
2	RODAMIENTO HK2512 / HK2512 BEARING	ME25636055	1
3	ARANDELA OBTURACIÓN / WASHER	MFS450612027	1
4	RODAMIENTO 6303 C3 / 6303 C3 BEARING	MFS400112030	1
5	COJINETE 6306 C4 / 6306 C4 BEARING	ME25612007/2	1
6	CTO. LÁMINAS OBTURACIÓN PASO ACEITE / OIL OBTURATION REED KIT	MFS400110120	1
8	PHILIPS TORNILLO 3X5 / 3X5 SCREW PHILIPS	T0703005	2
9	JUNTA CÁRTER CENTRAL / CENTRAL CRANKCASE GASKET	MQ450544001	1
10	CÁRTER DERECHO / RIGHT CRANKCASE	MQ450710000	1
11	JUNTA TAPA EMBRAGUE / CLUTCH COVER GASKET	MQ450544002	1
12	TAPA EMBRAGUE / CLUTCH COVER	MFS450732001	1
13	JUNTA TAPA DISCOS EMBRAGUE / DISCS COVER GASKET	ME25644003	1
14	TAPA DISCOS EMBRAGUE / DISCS CLUTCH COVER	MFS450732002	1
15	RETÉN 20/30/7/AI / 20/30/7/AI SEAL	ME25632021	1
16	TORN. ESPECIAL 6X30 / 6X30 SPECIAL SCREW	T0206030	1
17	TORN. ESPECIAL 6X60 / 6X60 SPECIAL SCREW	T0206060	1
18	TORN. ESPECIAL 6X80 / 6X80 SPECIAL SCREW	T0206080	1
19	TORN. ESPECIAL 6X25 / 6X25 SPECIALSCREW	T0206025	8
20	CASQUILLO CENTRADOR CÁRTER / CRANKCASE BUSHING	ME25610018	2
22	TORNILLO ESPECIAL M6 / M6 SPECIAL SCREW	MFS400136065	1
23	CAMPANA ASPIRACIÓN ACEITE / OIL ASPIRATE	MFS400122550	1
24	TÓRICA 11,2X15X1,4 / 11,X15X1,4 O'RING	MFS400110026	1
25	COJINETE 6203 2Z C3 / 6203 2Z C3 BEARING	MFS400136168	1
26	COJINETE 6205 C3 2RSH / 6205 C3 2RSH BEARING	ME25636056	1
30	ARANDELA COBRE 12X18X1,5 / 12X18X1,5 WASHER	ME25810030	1
31	TAPÓN VACIADO ACEITE CON IMÁN / OIL DRAIN CAP WITH MAGNE	ME25610017	1

GAS GAS

Motor 4



Nº	DESCRIPCION / DESCRIPTION	WILD HP 450 2007	Cant.
1	TAPA DISCOS EMBRAGUE / CLUTCH DISCS COVER	MFS450732002	1
2	TAPA EMBRAGUE EC400 4T / CLUTCH COVER	MFS450732001	1
3	CASQUILLO CENTRADOR CÁRTER / CRANKCASE BUSHING	ME25610018	5
4	CONDUCTO ACEITE DIAM. 2.5X7.8 PISTÓN / 2.5X7.8 OIL PISTON PIPE	MFS450610023	1
5	TÓRICA 9X2 / 9X2 O'RING	MFS400110025	2
8	CÁRTER DERECHO ALUMINIO EC400 4T / EC400 4T RIGHT ALUMINIUM CRANKCASE	MFS450710000	1
9	RODAMIENTO 6205 C3 2RSH / 6205 C3 2RSH BEARING	ME25636056	1
10	RODAMIENTO 6203 2Z C3 / 6203 2Z C3 BEARING	MFS450536168	1
11	ALLEN 6X35 / 6X35 ALLEN SCREW	T0306035	3
12	RODAMIENTO 6303 C3 SKF / 6303 C3 SKF BEARING	MFS400112030	1
13	RODAMIENTO 6306 C4 KOYO / 6306 C4 KOYO BEARING	ME25612007/2	1
14	JUNTA TAPA ACCESO INFERIOR CÁRTER / INFERIOR CRANKCASE COVER GASKET	MFS450510123	1
15	TAPA ACCESO INFERIOR CÁRTER / INFERIOR CRANKCASE COVER	MFS450610122	1
16	ALLEN 6X16 / 6X16 ALLEN SCREW	T0306016	6
17	CENTRADOR CULATA L18 EC400 4T / CYL. HEAD BUSHING	MFS400116066	3
18	CÁRTER IZQUIERDO ALUMINIO EC400 4T / EC400 4T LEFT ALUMINIUM CRANKCASE	MFS450510001	1
19	RETÉN 24X14X7AS.P-NB / 24X14X7AS.P-NB SEAL	MFS450732078	1
20	RETÉN SALIDA CAMBIO 25X40X7 / 25X40X7 GEAR SEAL	M01217001A	1
21	ALLEN 5X75 / 5X75 ALLEN SCREW	T0305075	1
22	RETÉN EJE SELECTOR 12-22-7 AS-CC / 12-22-7 AS-CC SELECTOR AXIS SEAL	ME25636048	1
23	ALLEN 5X35 / 5X35 ALLEN SCREW	T0305035	8
24	SUB-TAPA ARRANQUE FSE 450-2005 / FSE 450-2005 STARTER COVER	MFS450510028	1
25	ALLEN 5X16 / 5X16 ALLEN SCREW	T0305016	2
26	TÓRICA 80X2 SUB-TAPA ARRANQUE FSE450-2005 / FSE450-2005 80X2 STARTER COVER	MFS450510029	1
27	ALLEN 6X45 / 6X45 ALLEN SCREW	T0306045	3
28	TAPA VOLANTE MAGNÉTICO / IGNITION COMP. COVER	MFS450610004	1
29	ALLEN 6X55 / 6X55 ALLEN SCREW	T0306055	3
30	ALLEN 6X65 / 6X65 ALLEN SCREW	T0306065	1
31	TÓRICA 1,78x7,94 TAPA ENTRADA ACEITE CÁRTER / 1,78x7,94 O'RING	MFS400122311	2
32	MUELLE RETORNO ACEITE EC400-4T / EC400-4T OIL RETURN SPRING	MFS400122315	1
33	BOLA CENTRÍFUGO EMB.DE 8 m/m. / 8 mm BALL	ME25616033	1
34	TAPA ENTRADA ACEITE CÁRTER / OIL INNER COVER	MFS400122310	1
35	TUBO VACIADOR DEPÓSITO ACEITE EC400-4T / EC400-4T OIL HOSE EMPTIER	MFS400122150	1
36	ALLEN 6X12 / 6X12 ALLEN SCREW	T0306012	1

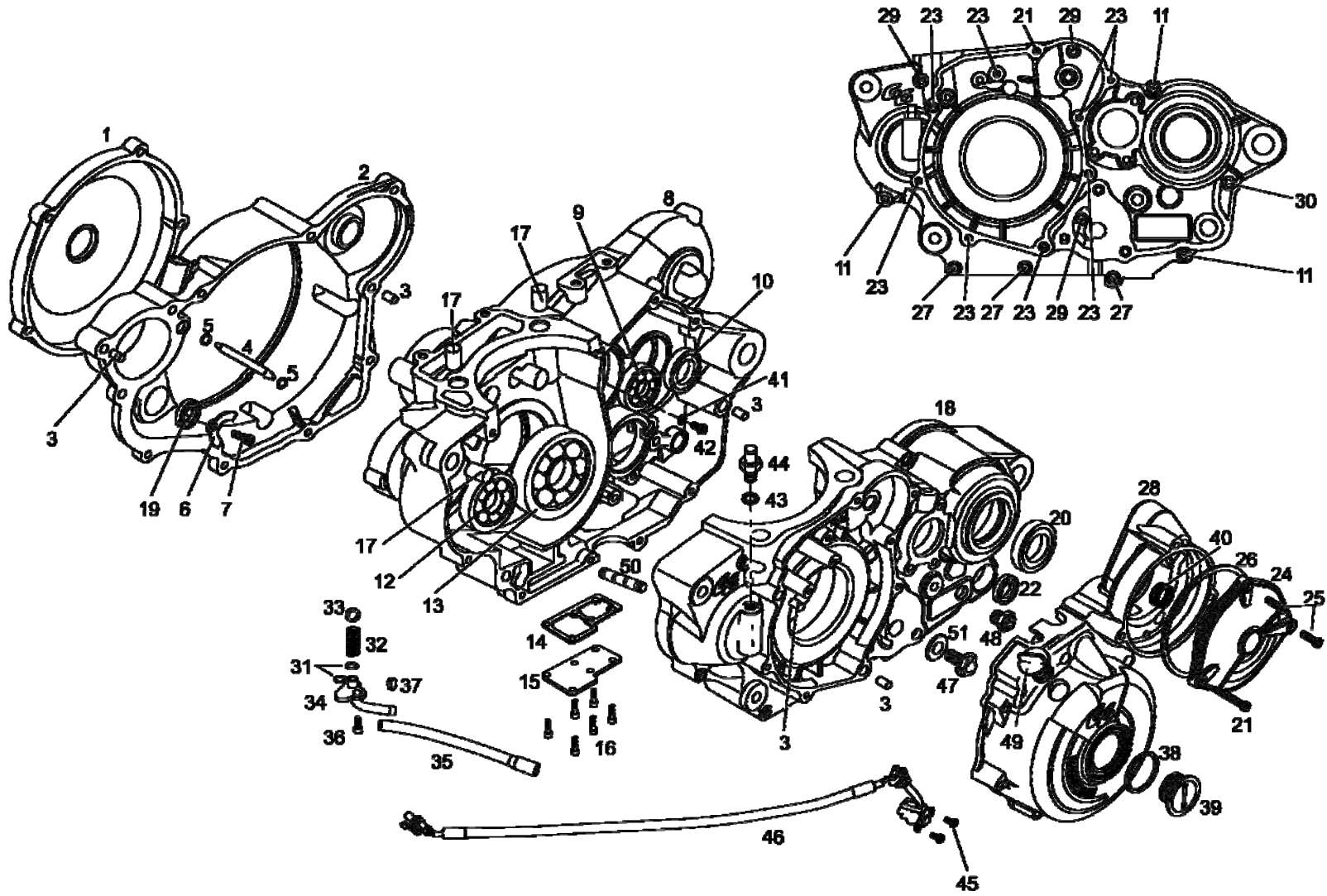
GAS GAS

Motor 5

Cárter izquierdo
/ Left crankcase

GAS GAS

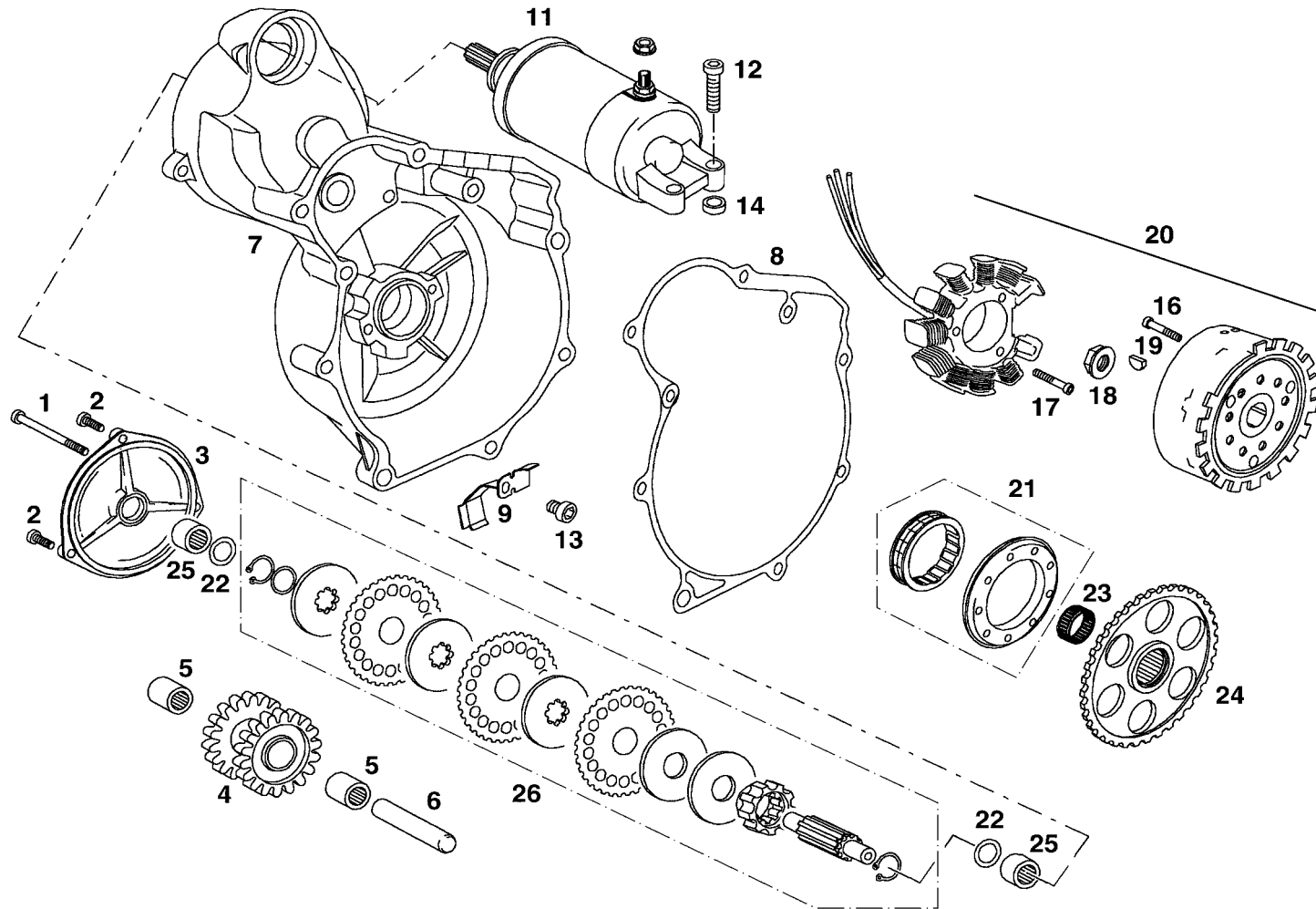
QUAD WILD 2007



Nº	DESCRIPCION / DESCRIPTION	WILD HP 450 2007	Cant.
37	ABRAZADERA D.12.9-13.6 AMARILLA / 12.9-13.6 YELLOW CLAMP	BE250210047	2
38	TÓRICA 27.4x2,4 / 27.4X2,4 O'RING	MFS400126563	1
39	TAPÓN ROSCA TAPA VOLANTE MAGNÉTICO / IGNITION COVER SCREW TOP	MFS400126562	1
40	RODAMIENTO AGUJAS HK1010 EC400-4T / HK 1010 EC400-4T NEEDLES BEARING	MFS4001260022	1
41	ARANDELA 7X18X2,7 / 7X18X2,7 WASHER	ST950710	1
42	ALLEN 6X12 / 6X12 ALLEN SCREW	T0306012	1
43	ARANDELA COBRE 14X18X1,5 / 14X18X1,5 COOPER WASHER	MFS450510030	1
44	CONECTOR TUBO DESVAPORIZADOR CÁRTER / CRANKCASE STEAM HOSE CONNECTOR	MFS450510012	1
45	ALLEN 5X8 / 5X8 ALLEN SCREW	T0305008	2
46	SENSOR DE GIRO / TURN SENSOR	MFS450580005	1
47	TORNILLO CAMPANA ASPIRACIÓN / CHAIN ASPIRATION	MFS450622558	1
48	VISOR NIVEL ACEITE / OIL LEVEL VIEW FINDER	ME25610015	1
49	TAPÓN ACEITE / OIL CAP	BFS450610079	1
50	FILTRO / FILTER	MFS400122550	1
51	ARANDELA 26X20X1.5 / 26X20X1.5 WASHER		1

GAS GAS

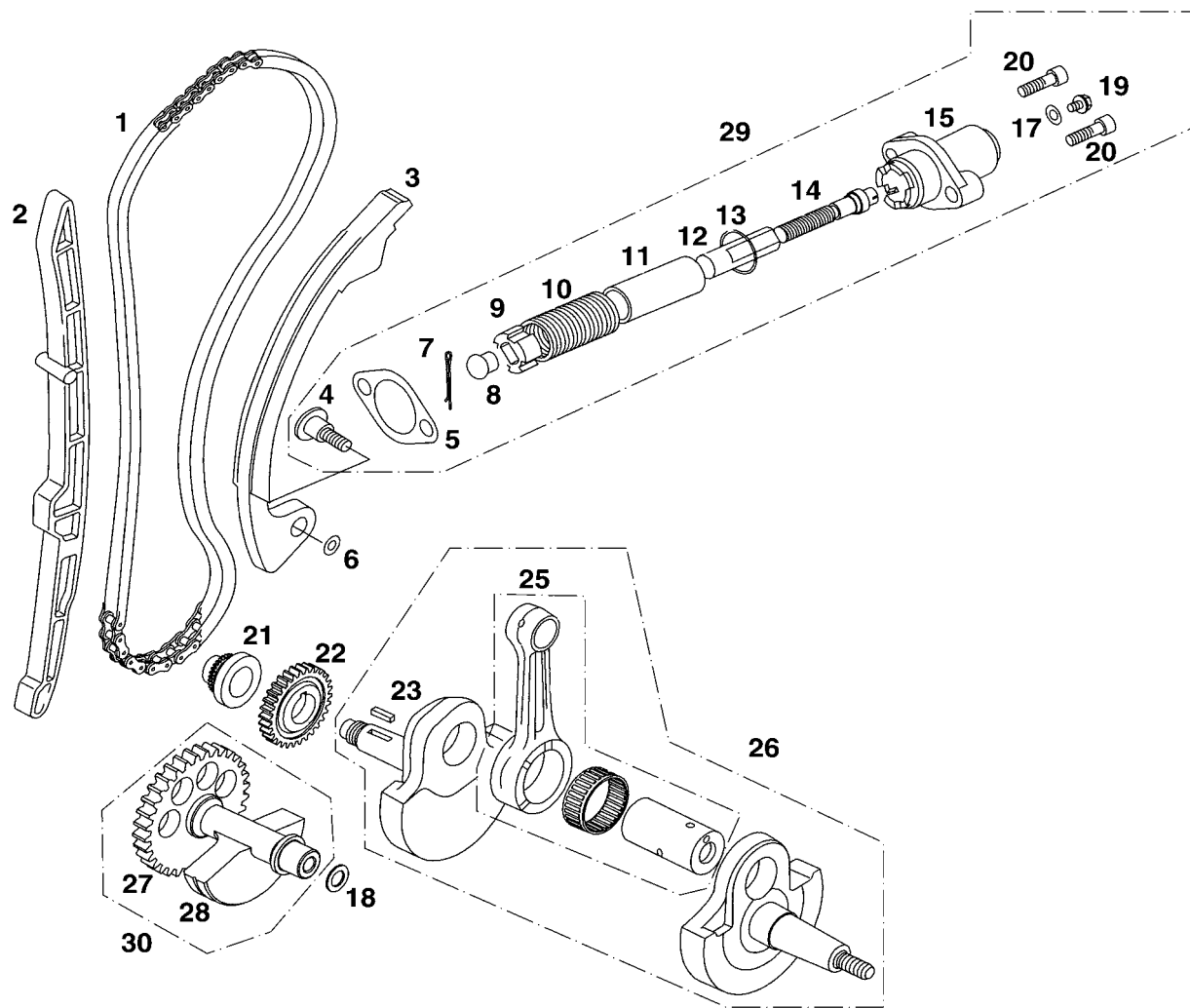
Motor 5



Nº	DESCRIPCION / DESCRIPTION	WILD HP 450 2007	Cant.
1	ALLEN 5X75 / 5X75 ALLEN SCREW	T0305075	1
2	ALLEN 5X16 / 5X16 ALLEN SCREW	T0305016	2
3	SUB-TAPA ARRANQUE FSE 450-2005 / FSE 450-2005 START COVER	MFS450510028	1
4	PIÑÓN INTERM. ARRANQUE ELÉCT. 24X21 / 24X21 ELECT. STARTER INTERM. SPROCKET	MFS450626520	1
5	RODAMIENTO AGUJAS HK1012 / HK1012 NEEDLES BEARING	MFS400326023	2
6	EJE PIÑÓN ARRANQUE INTERMEDIO / INTERMEDIATE STARTER SPROCKET AXIS	MFS450626505	1
7	TAPA VOLANTE MAGNÉTICO / IGNITION COVER	MQ450710004	1
8	JUNTA TAPA VOLANTE FSE450-2005 / FSE450-2005 IGNITION COVER GASKET	MFS450544004	1
9	PLETINA SOPORTE CABLES MOTOR ENCENDIDO FSE 2005 / FSE 2005 IGNITION CABLING HOLDER	MFS450534019	1
11	MOTOR DE ARRANQUE FSE 450-2005 / FSE 450-2005 START ENGINE	MFS450526500	1
12	TORNILLO 6X25 / 6X25 SCREW	T0305025	2
13	ALLEN 5X6 / 5X6 ALLEN SCREW	T0305006	1
14	CASQUILLO DISTANCIADOR ARRANQUE / STARTER SPACER BUSHING	R233000	2
16	ALLEN 8X16 / 8X16 ALLEN SCREW		9
17	ALLEN 5X25 / 5X25 ALLEN SCREW		3
18	TUERCA VOLANTE / IGNITION NUT	MFS400134011	1
19	CHAVETA VOLANTE / IGNITION PIN	MFS400134016	1
20	VOLANTE MAGNÉTICO / MAGNETIC FLYWHEEL	MQ450434005\2	1
21	ANILLO RUEDA LIBRE ENCENDIDO DUCATI / DUCATI IGNITION FREE WHEEL RING	MFS400126550\2	1
22	ARANDELA 10X19X0,5 / 10X19X0,5 WASHER	MFS450526516	2
23	RODAMIENTO DE AGUJAS ARRANQUE / STARTER NEEDLE BEARING	MFS400126020	1
24	CORONA DE ARRANQUE / STARTER SPROCKET	MFS450526540	1
25	RODAMIENTO AGUJAS HK 1010 EC400-4T / HK 1010 EC400-4T NEEDLES BEARING	MFS400126022	2
26	CTO. PIÑÓN ARRANQUE EMBRAGUE / CLUTCH STARTER SPROCKET SET	MFS450526510CT	1
27	ESCOBILLAS MOTOR ARRANQUE / STARTER ENGINE BRUSHES	MFS400326501	1

GAS GAS

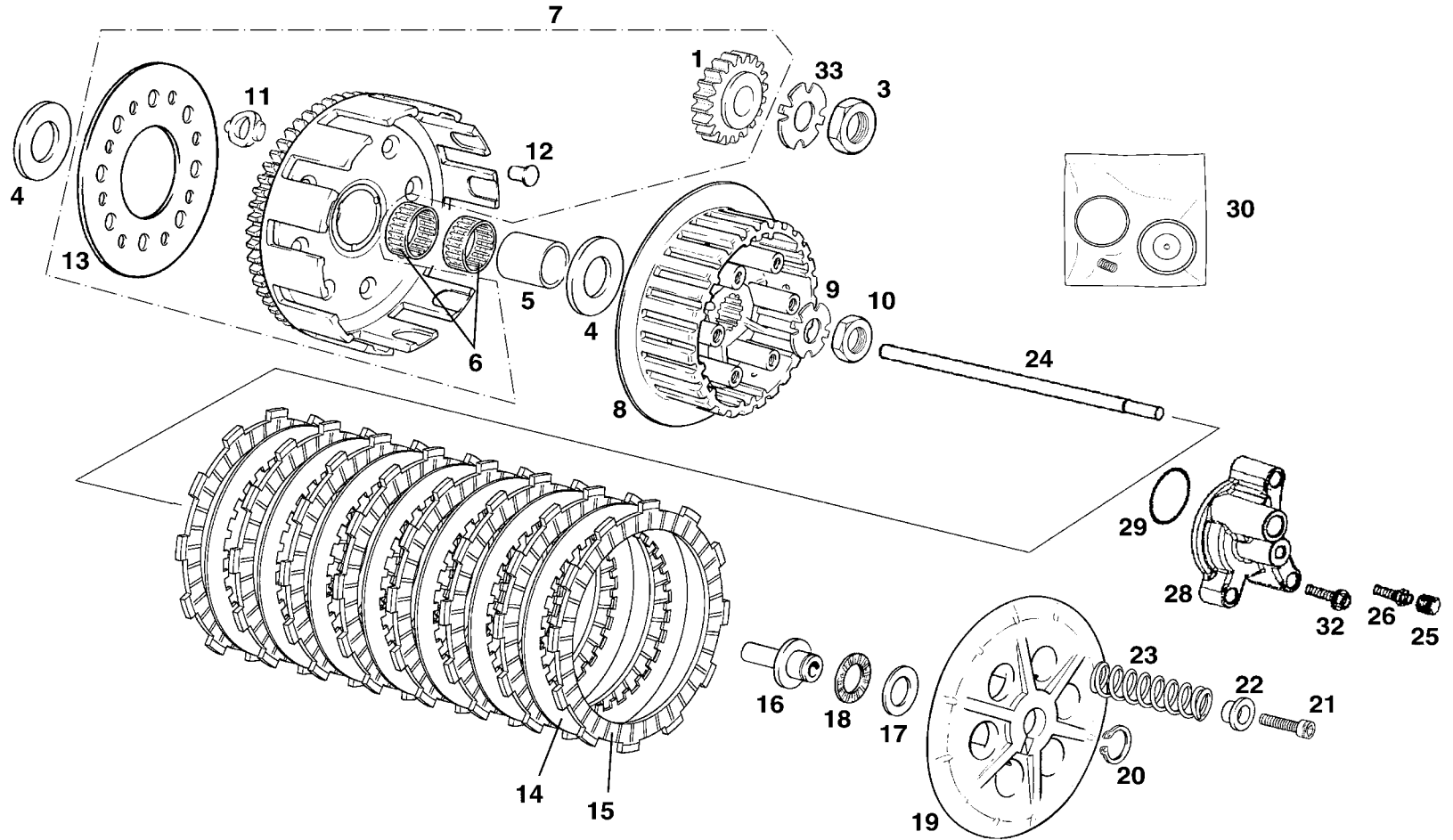
Motor 6



Nº	DESCRIPCION / DESCRIPTION	WILD HP 450 2007	Cant.
1	CADENA DISTRIBUCIÓN / CAM SHAFT DRIVE CHAIN	MFS400116360	1
2	GUÍA CADENA DISTRIBUCIÓN DELANTERA / CAM CHAIN GUIDE	MFS450616364	1
3	GUÍA CADENA DISTRIBUCIÓN TRASERA / CAM CHAIN TENSIONER	MFS400116363	1
4	TORNILLO FIJACIÓN PATILLA GUÍA CADENA DISTRIBUCIÓN / CHAIN GUIDE SCREW	MFS400116365	1
5	JUNTA TENSOR DISTRIBUCIÓN FSE 4T / CHAIN TENSOR GASKET	MFS400144025	1
6	ARANDELA 6,25X21X1 / 6,25X21X1 WASHER	MFS450410107	1
7	PASADOR ELÁSTICO D2X12 FSE 4T / D2X12 FSE 4T ELASTIC PIN	MFS400116409	1
8	APRETADOR TENSOR CADENA DISTRIBUCIÓN / CHAIN TENSOR PUSHER	MFS400116403	1
9	CRUZ TENSOR CADENA DISTRIBUCIÓN / CHAIN TENSOR BUSHING	MFS400116402	1
10	MUELLE TORSIÓN TENSOR CADENA / CHAIN TENSOR SPRING	MFS400116410	1
11	TUBO TENSOR CADENA DISTRIBUCIÓN / CAM SHAFT CHAIN TENSOR HOSE	MFS400116404	1
12	TUERCA EMPUJADOR TENSOR CADENA / CHAIN TENSOR PUSHER WASHER	MFS400116405	1
13	ANILLO ELÁSTICO TENSOR CADENA / CHAIN TENSOR ELASTIC RING	MFS400116411	1
14	TORNILLO EMPUJADOR TENSOR CADENA / CHAIN TENSOR PUSHER SCREW	MFS400116406	1
15	TENSOR CADENA DISTRIBUCIÓN / CHAIN TENSOR	MFS400116400	1
17	ARANDELA KLINGERIT 6X15X0,5 / 6X15X0,5 WASHER	MFS400116407	1
18	ARANDELA 17,5X25,8X0,5 / 17,5X25,8X0,5 WASHER	M03625000	1
19	TORNILLO HEXAGONAL 6X8 / HEXAGONAL SCREW 6X8	T0106008	1
20	ALLEN 6X25 / 6X25 ALLEN SCREW	T0306025	2
21	PIÑÓN CADENA DISTRIBUCIÓN / CAM CHAIN DRIVE SPROCKET	MFS400116361	1
22	ENGRANAJE ÁRBOL DE LEVAS FSE 4T / FSE 4T CAMSHAFT SPROCKET	MFS450512001	1
23	CHAVETA LADO EMBRAGUE FSE 4T / FSE 4T CLUTCH SIDE KEY	MFS450612010	1
25	CONJUNTO BIELA / CONNECTING ROD	MFS400112100	1
26	CONJUNTO CIGÜEÑAL / CRANKSHAFT SET	MFS450612000	1
27	PIÑÓN EJE DE BALANCE / DRIVE GEAR	MFS450512001	1
28	CONJUNTO EJE DE BALANCE / CRANK BALANCER SET	MFS450512003	1
29	CONJUNTO TENSOR CADENA / CHAIN TENSION ADJUSTER SET	MFS400116420	1
30	CONJUNTO EJE BALANCE	MFS450512003CT	1

GAS GAS

Motor 7



Nº	DESCRIPCION / DESCRIPTION	WILD HP 450 2007	Cant.
1	PIÑÓN CIGÜEN. TRANS PRIM. / PRIMARY TRANSMISION CRANK SHAFT PINION	MFS400112004	1
3	TUERCA BLOCAJE PIÑÓN CIGÜEÑAL / CRANK SHAFT PINION LOCKING NUT	MFS400132018	1
4	ARANDELA CAMPANA EMBRAGUE 22,1X42X2,8 / WASHER 22.1X42X2.8	ME25632011	2
5	CASQUILLO CAMPANA EMBRAGUE / PRIMARY DRIVEN GEAR BUSHING	ME25632012	1
6	COJINETE CAMPANA EMBRAGUE / PRIMARY DRIVEN GEAR BEARING	ME25632029	2
7	CTO. CORONA CAMPANA EMBRAGUE / PRIMARY DRIVEN GEAR SET	MFS450432003CT	1
8	CUBO EMBRAGUE / CLUTCH BOSS	ME25632005	1
9	ARANDELA PRECINTO EMBRAGUE / CLUTCH LOCK WASHER	MFS450532022	1
10	TUERCA FIJ. CUBO EMBRAGUE / CLUTCH BOSS NUT	ME25632028	1
11	GOMA SILENBLOCK / SILENBLOCK RUBBER	ME20932008	8
12	REMACHES CAMPANA EMBRAGUE / PRIMARY DRIVEN GEAR RIVETS	MFS400132010	8
13	ARANDELA CORONA EMBRAGE / CLUTCH BOSS WASHER	MFS400132009	1
14	DISCO EMBRAGUE HIERRO / IRON CLUTCH DISK	ME25632037	7
15	DISCO EMBRAGUE FORRADO / COVERED CLUTCH DISK	ME25632007	8
16	BOLET EMBRAGE / CLUTCH PIN	ME25632014	1
17	PLACA AGUJA Y VALV. ESCAPE / EXHAUST PIN WASHER	ME25632016	1
18	JAULA AGUJA VALV. ESCAPE / NEEDLES BEARING	ME25632046	1
19	PRENSA EMBRAGUE / PRESSURE PLATE	ME25632006	1
20	SEEGER EJE 15 EMBRAGUE / CLUTCH SEEGER AXLE 15	ME25632017	1
21	ALLEN 6X20 TA. EMBRAGUE,CART,SUSP. / ALLEN SCREW 6X20	T0306020	6
22	CASQ. MUELLE EMBRAGUE ALUMINIO / ALUMINIUM CLUTCH SPRING BUSHING	ME250032020	6
23	MUELLE EMBRAGUE VERDE / GREEN CLUTCH SPRING	MFS450332015	6
24	VARILLA EMBRAGUE / CLUTCH ROD	ME25632040	1
25	TAPÓN SANGRADOR / BLEEDER CAP	BE25622055	1
26	SANGRADOR / BLEEDER	BE25622060	1
27	ARANDELA LATIGUILLO / HOSE WASHER	BE25622007	2
28	PINZA EMBRAGUE HIDRA. / HYDRAULIC CLUTCH CALIPER	BFS450532026	1
29	TÓRICA BOMBA EMBRAGUE / CLUTCH PUMP O'RING	ME25632024	1
30	KIT PINZA EMBRAGUE / CLUTCH CALIPER KIT	BE250522050	1
32	TORNILLO ESPECIAL 6X20 / SPECIAL SCREW	T0206020	3
33	ARANDELA PRECINTO EMBRAGUE	MFS450532017	1

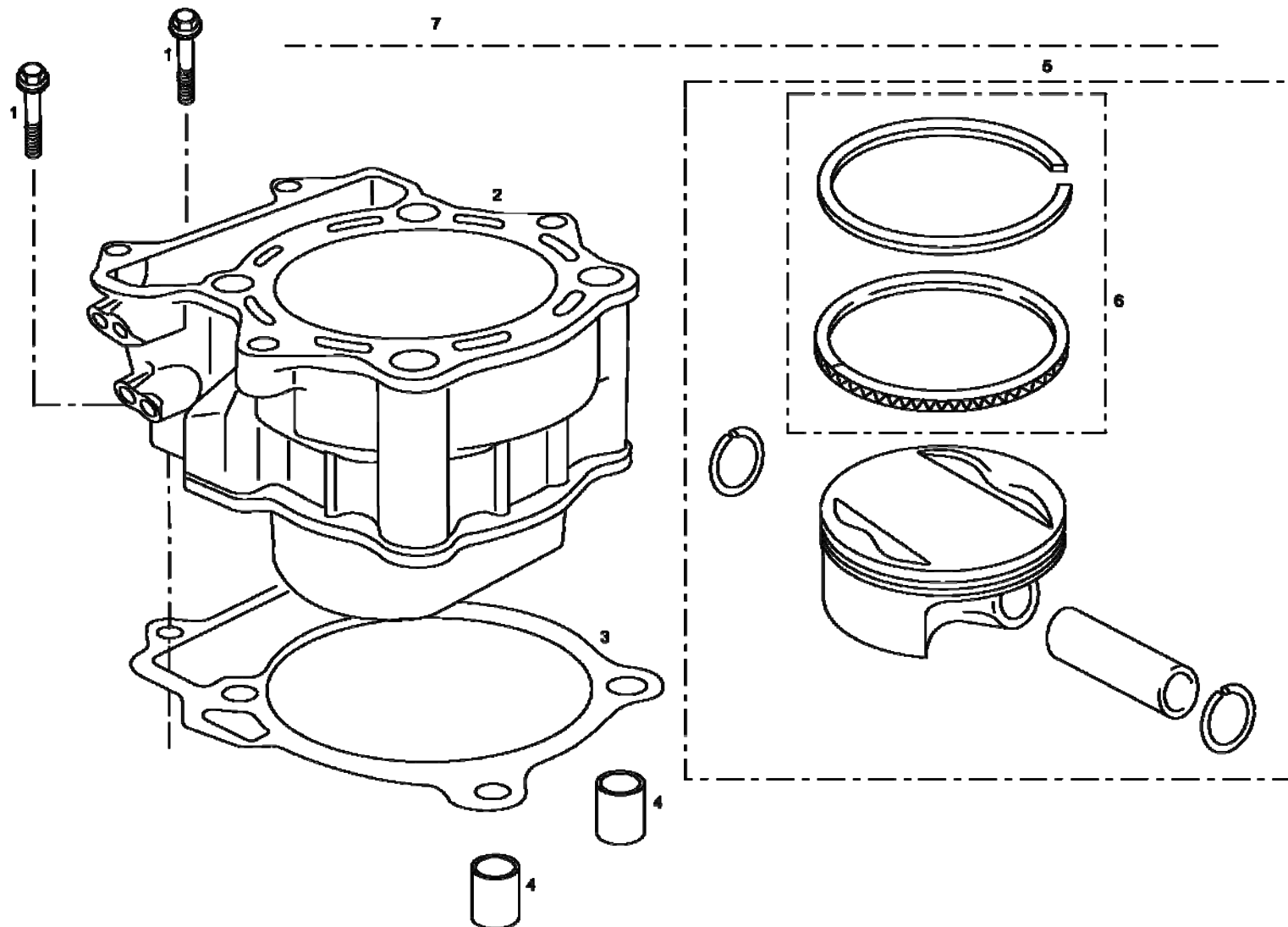
GAS GAS

Motor 8

Cilindro - Culata /
Cylinder - Cyl. head

GAS GAS

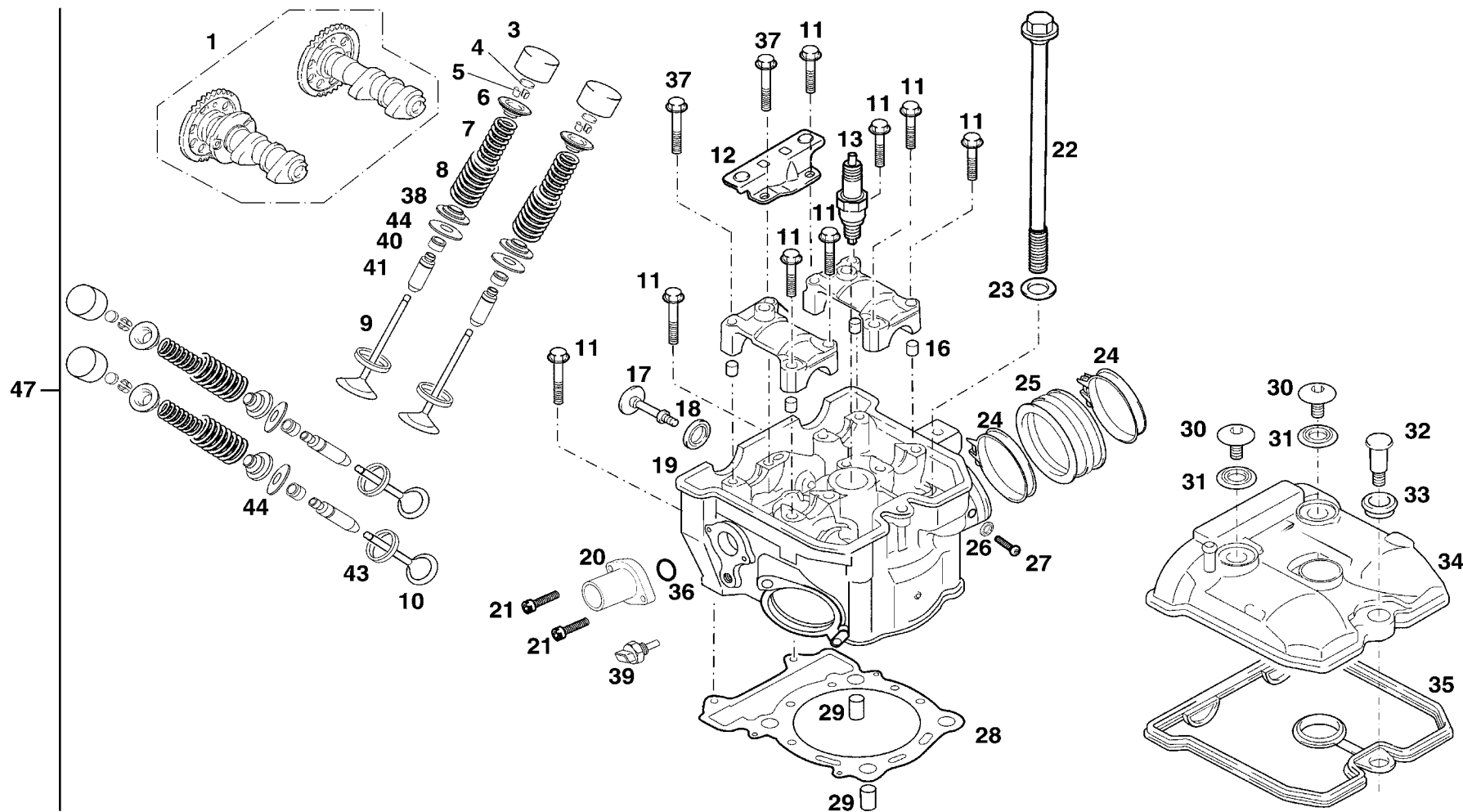
QUAD WILD 2007



Nº	DESCRIPCION / DESCRIPTION	WILD HP 450 2007	Cant.
1	TORNILLO ESPECIAL 6X25 / 6X25 SPECIAL SCREW	T0606025	2
2	CILINDRO FSE 450-2005 / FSE 450-2005 CYLINDER SET	MFS450616022	1
3	JUNTA CILINDRO FSE 500-2006 / FSE 500-2006 CLINDER GASKET	MFS500644000	1
4	CASQUILLO CENTRADOR CULATA / HEAD CYLINDER BUSHING	MFS400116066	2
5A	CONJUNTO PISTÓN A / A PISTON SET	MFS450616020	1
5B	CONJUNTO PISTÓN B / B PISTON SET	MFS450616121	1
6	CONJUNTO AROS PISTÓN / PISTON O'RING SET	MFS450616040	1
7	CONJUNTO CILINDRO	MFS450616022CT	1

GAS GAS

Motor 9



Nº	DESCRIPCION / DESCRIPTION	WILD HP 450 2007	Cant.
1	ÁRBOL DE LEVAS ADMISIÓN Y ESCAPE / INTAKE EXHAUST CAMSHAFT	MFS450616354CT	1
3	VASO EMPUJADOR VÁLVULA / TAPPET	MFS450816300	4
4	PASTILLA REGLAJE BASE VÁLVULA / TAPPET SHIM	MFS400116044	4
5	SEMICONO / VALVE COTTER	MFS400116048	8
6	PLATILLO SEMICONO / SPRING RETAINER	MFS400116047	4
7	MUELLE VÁLVULA INTERIOR / INTERIOR VALVE SPRING	MFS400116059	4
8	MUELLE VÁLVULA EXTERIOR / EXTERIOR VALVE SPRING	MFS400116058	4
9	VÁLVULA ADMISIÓN / INTAKE VALVE	MFS450616043	2
10	VÁLVULA ESCAPE / EXHAUST VALVE	MFS400116015	2
11	TORNILLO 6X40 / 6X40 SCREW	MFS400116351	8
12	GUÍA CADENA DISTRIBUCIÓN SUPERIOR / UPPER CAM SHAFT GUIDE	MFS400116362/2	1
13	BUJÍA NGK CR8 E / NGK CR8 E SPARK PLUG	MFS400134000	1
16	CASQUILLO CENTRADOR TAPA ÁRBOL LEVAS / CAMSHAFT COVER CENTERING PIN	MFS400116350	4
17	TORNILLO ESPECIAL CULATA M7 / M7 CYLINDER HEAD SPECIAL SCREW	MFS400116067	1
18	ARANDELA CULATA 11X25X4 / 11X25X4 CYLINDER HEAD WASHER	T4001126	1
19	CULATA / CYLINDER HEAD	MFS400116000	1
20	CTO. SALIDA TUBOS RADIADOR CULATA / CYL. HEAD OUT TUBE SET	BQ450716104	1
21	ALLEN NEGRO 5X30 / 5X30 BLACK ALLEN SCREW	T0305030N	2
22	TORNILLO M10X175 / M10X175 SCREW	T0201070	4
23	ARANDELA 10,5X19X2 / 10,5X19X2 WASHER	MFS450516099	4
24	ABRAZADERA 40-60 / 40-60 CLAMP	L200047	2
25	TUBERA ADMISIÓN / INTAKE	MFS250116131	1
26	ARANDELA 8X16X1,5 / 8X16X1,5 WASHER	T4008016	1
27	ULS 8X12 / 8X12 ULS SCREW	T0508012	1
28	JUNTA CULATA / CYLINDER HEAD GASKET	MFS450544020	1
29	CASQUILLO CENTRADOR CULATA / CYLINDER HEAD BUSHING	MFS400116066	2
30	TORNILLO ESPECIAL 7X15,3 / 7X15,3 SPECIAL SCREW	T0207017	2
31	ARANDELA TAPA CULATA 11X25X2 / 11X25X2 WASHER	T4001125	2
32	TORNILLO ESPECIAL 7X31 / 7X31 SPECIAL SCREW	T0207031	1
33	ARANDELA TAPA CULATA 12X23X5/7,5 / 12X23X5/7,5 CYLINDER HEAD WASHER	T4001223	1
34	TAPA CULATA / CYLINDER HEAD COVER	MPS450716100	1
35	JUNTA TAPA CULATA / CYLINDER HEAD GASKET	MFS400144015	1
36	TÓRICA 24X2 TUBERA SALIDA AGUA CULATA / WATER EXIT GASKET	MFS400116105	1
37	TORNILLO M6X45 TAPA ÁRBOL LEVAS LARGO / 6X45 SCREW	MFS400116352	2

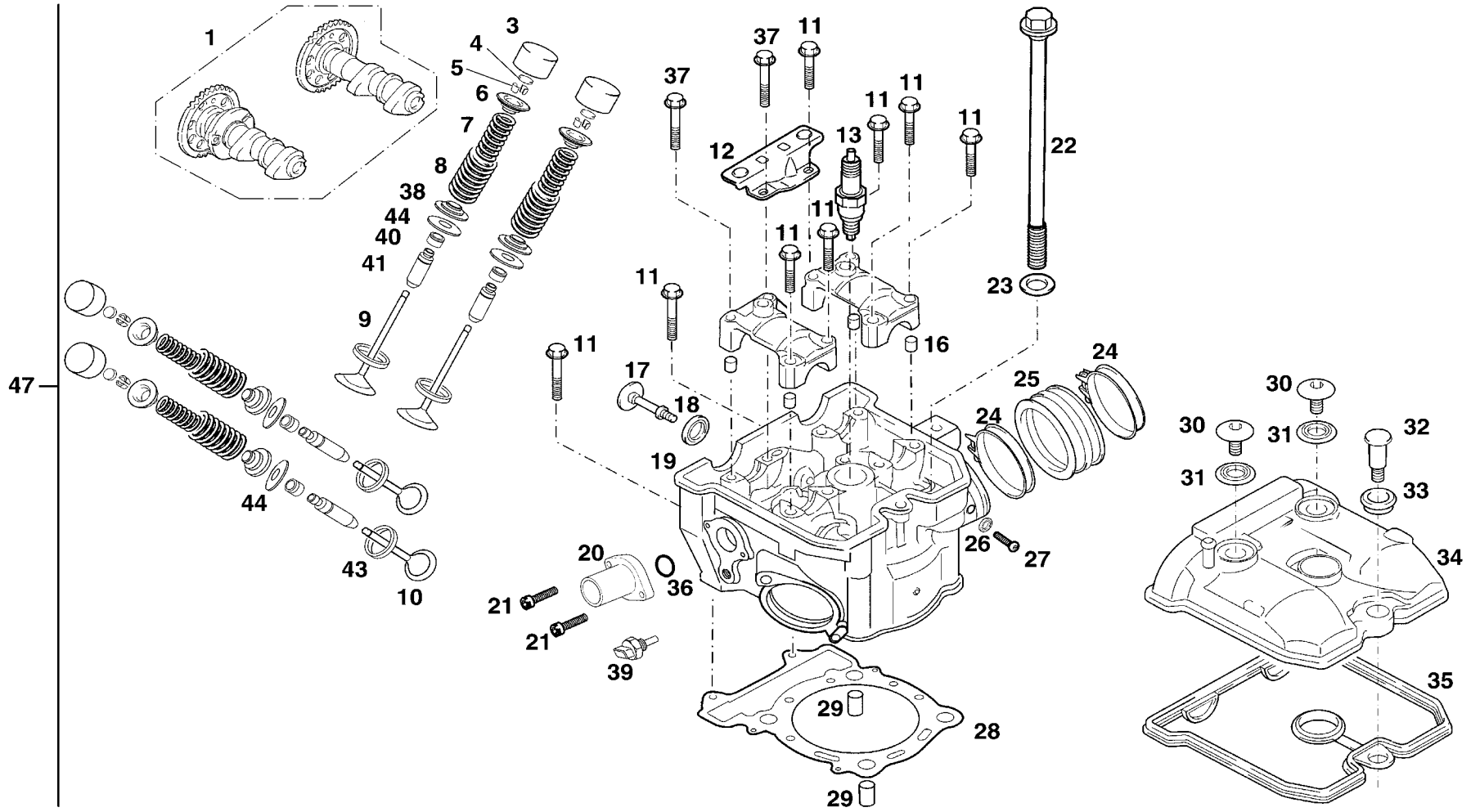
GAS GAS

Motor 10

Cilindro - Culata /
Cylinder - Cyl. head

GAS GAS

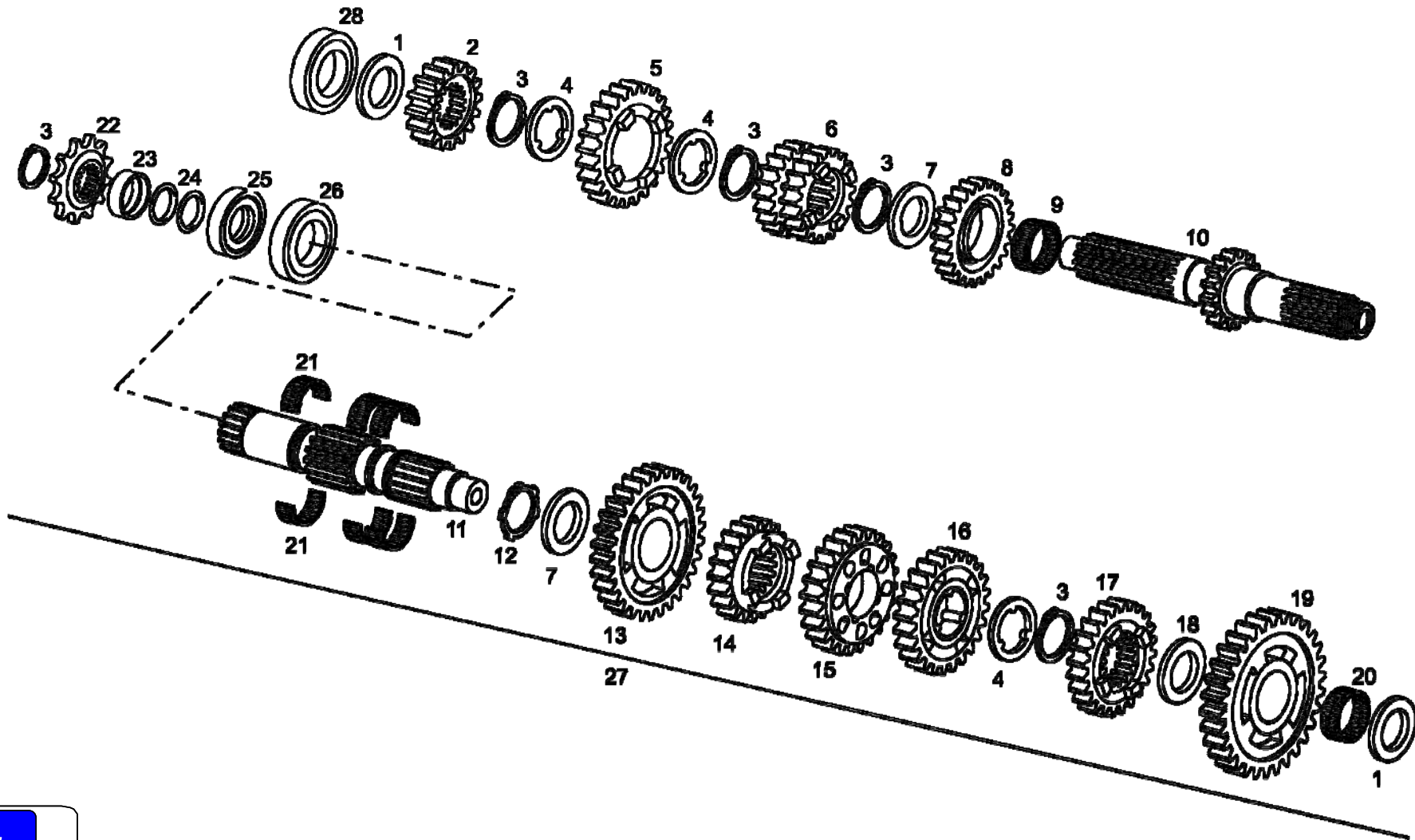
QUAD WILD 2007



Nº	DESCRIPCION / DESCRIPTION	WILD HP 450 2007	Cant.
38	ARANDELA MUELLE VÁLVULA / SPRING SEAT WASHER	MFS400116049	4
39	TERMOCONTACTO M12X1.5 / M12x1.5 THERMOSWITCH	BPS400632065	1
40	RETÉN VÁLVULA / VALVE SEAL	MFS400116039	4
41	GUÍA VÁLVULA / VALVE GUIDE	MFS400116046A	4
42	ASIENTO VÁLVULA ADMISIÓN / INTAKE VALVE BASE	MFS400116143	2
43	ASIENTO VÁLVULA ESCAPE / EXHAUST VALVE BASE	MFS400116144	2
44	TORNILLO ALLEN CULATA M8X30 / M8X30 ALLEN HEAD SCREW	T0308030	2
45	ARANDELA 6,5X12X1,5 / 6,5X12X1,5 WASHER	T400612	2
46	TAPÓN DE CULATA / HEAD TOP	MFS400116003	2
47	CONJUNTO CULATA / HEAD SET	MFS450816000CT	1
48	DESVPORIZADOR CULATA FSE-2006 / CARTER BREATH TUBE CYLINDER HEAD	MFS450616101	1

GAS GAS

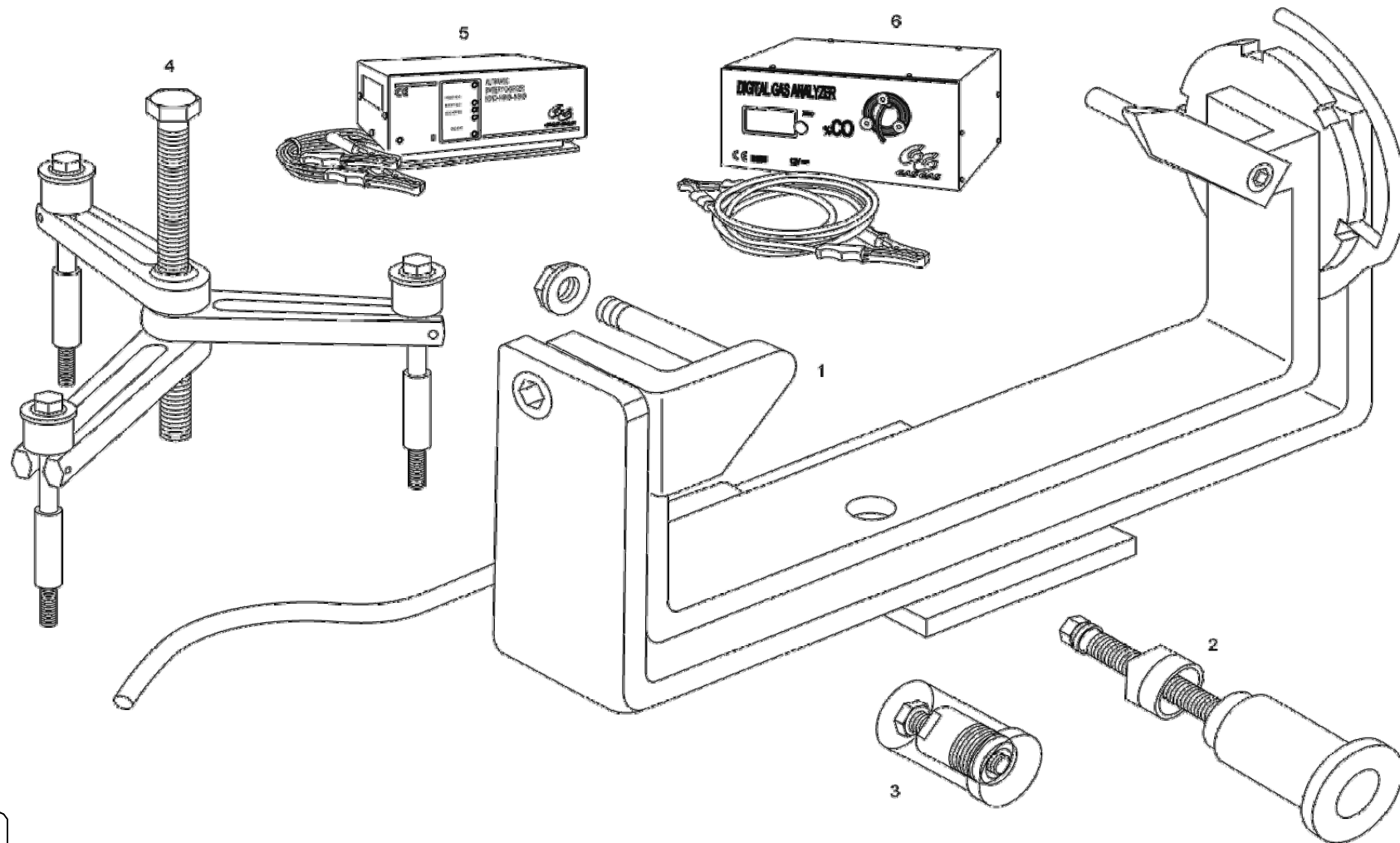
Motor 10



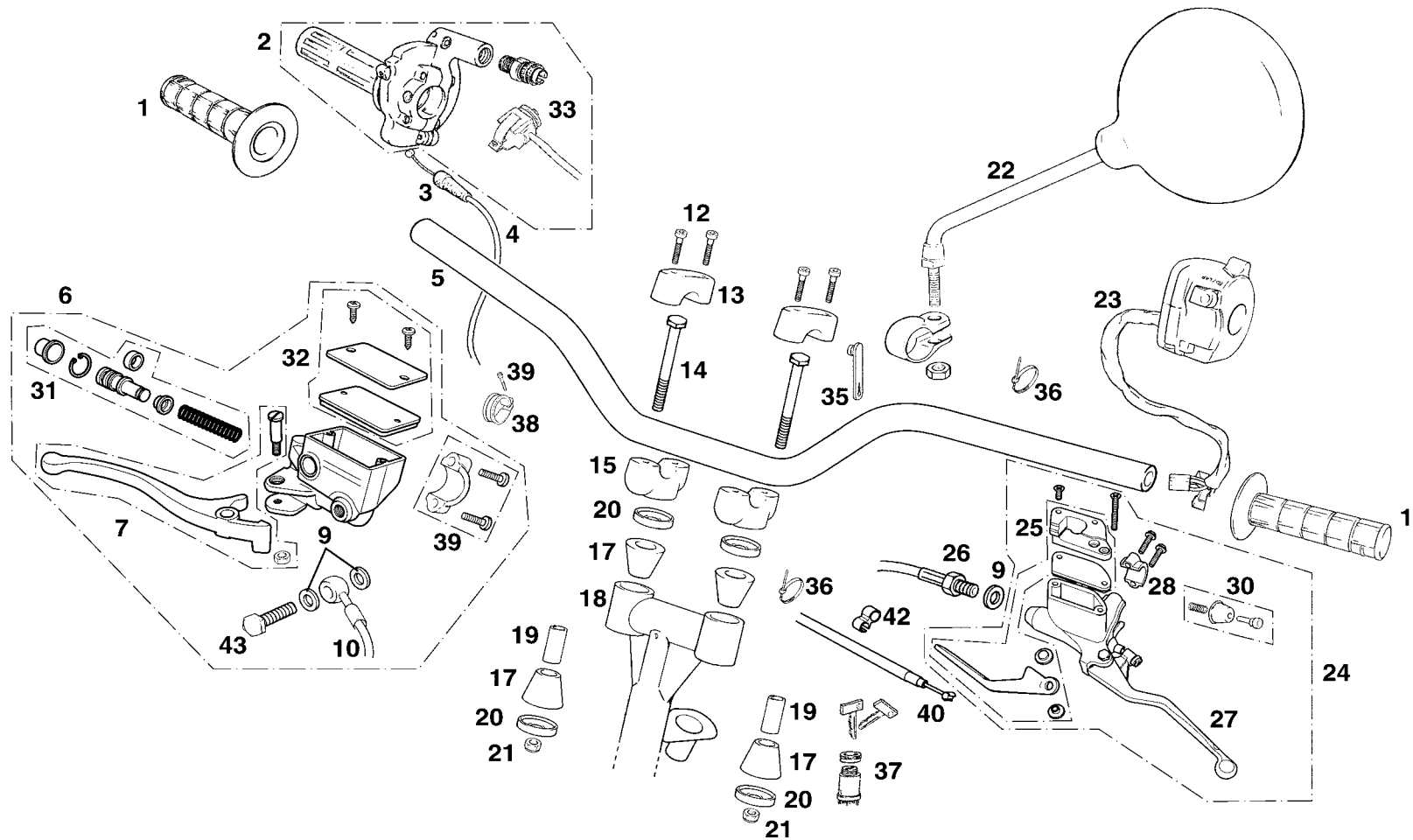
Nº	DESCRIPCION / DESCRIPTION	WILD HP 450 2007	Cant.
1	ARANDELA 18x40x0,6 / 18X40X0,6 WASHER	ME25636014	2
2	PIÑÓN PRIMARIO II / PRIMARY II PINION	ME25636071	1
3	CIRCLIP D.25 DIN 471 REBAJADO / DIN 471 CIRCLIP	ME25936084	5
4	ARANDELA 31,5x(25x22)x1 ESTRIADA / 31,5x(25x22)x1 GROOVING WASHER	ME25636091	3
5	PIÑÓN PRIMARIO VI / PRIMARY VI PINION	ME25636074	1
6	PIÑÓN PRIMARIO III Y IV / PRIMARY III AND IV PINION	ME25636072	1
7	ARANDELA 25,2x31,5x1 CAMBIO / 25,2x31,5x1 GEAR WASHER	ME25636017	2
8	PIÑÓN PRIMARIO V / PRIMARY V PINION	ME25636073	1
9	COJINETE AGUJAS K25-29-10 / K25-29-10 NEEDLES BEARING	M02616000	1
10	EJE PRIMARIO / PRIMARY AXIS	MFS400136070	1
11	EJE SECUNDARIO / SECONDARY AXIS	MFS450336075	1
12	CIRCLIP D.25 DIN 983 / DIN 983 CIRCLIP	ME25636095	1
13	PIÑÓN SECUNDARIO II / SECONDARY II PINION	ME25636077	1
14	PIÑÓN SECUNDARIO VI / SECONDARY VI PINION	ME250136081	1
15	PIÑÓN SECUNDARIO III / SECONDARY III PINION	ME25636078	1
16	PIÑÓN SECUNDARIO IV / SECONDARY IV PINION	ME25636079	1
17	PIÑÓN SECUNDARIO V / SECONDARY V PINION	ME25636080	1
18	ARANDELA 20,8x29x1 CAMBIO / 20,8x29x1 GEAR WASHER	ME25636016	1
19	PIÑÓN SECUNDARIO I / SECONDARY I PINION	ME25636076	1
20	RODAMIENTO AGUJAS K20x24x10 / K20x24x10 NEEDLES BEARING	ME25636059	1
21	RODAMIENTO AGUJAS K25x22x9,8 / K25x22x9,8 NEEDLES BEARING	ME250236102	6
22	PIÑÓN SALIDA Z. 13 / Z13 EXIT PINION	ME25636025	1
23	DOLLA RETÉN SALIDA CAMBIO / GEAR EXIT SEAL	ME25636046	1
24	TÓRICA 25x2 NBR PIÑÓN SALIDA / EXIT PINION SEAL	ME25632025	2
25	RETÉN 25X40X7 / 25X40X7 SEAL	M01217001A	1
26	RODAMIENTO CAMBIO 6205 C3 / GEAR 6205 C3 BEARING	ME25636056	1
27	GRUPO CAMBIO COMPLETO / GEAR SET	MFS450636010	1
28	COJINETE 6305 2Z C3 CAMBIO / GEAR 6305 2RSH BEARING	MFS400136167	1

GAS GAS

Motor 11



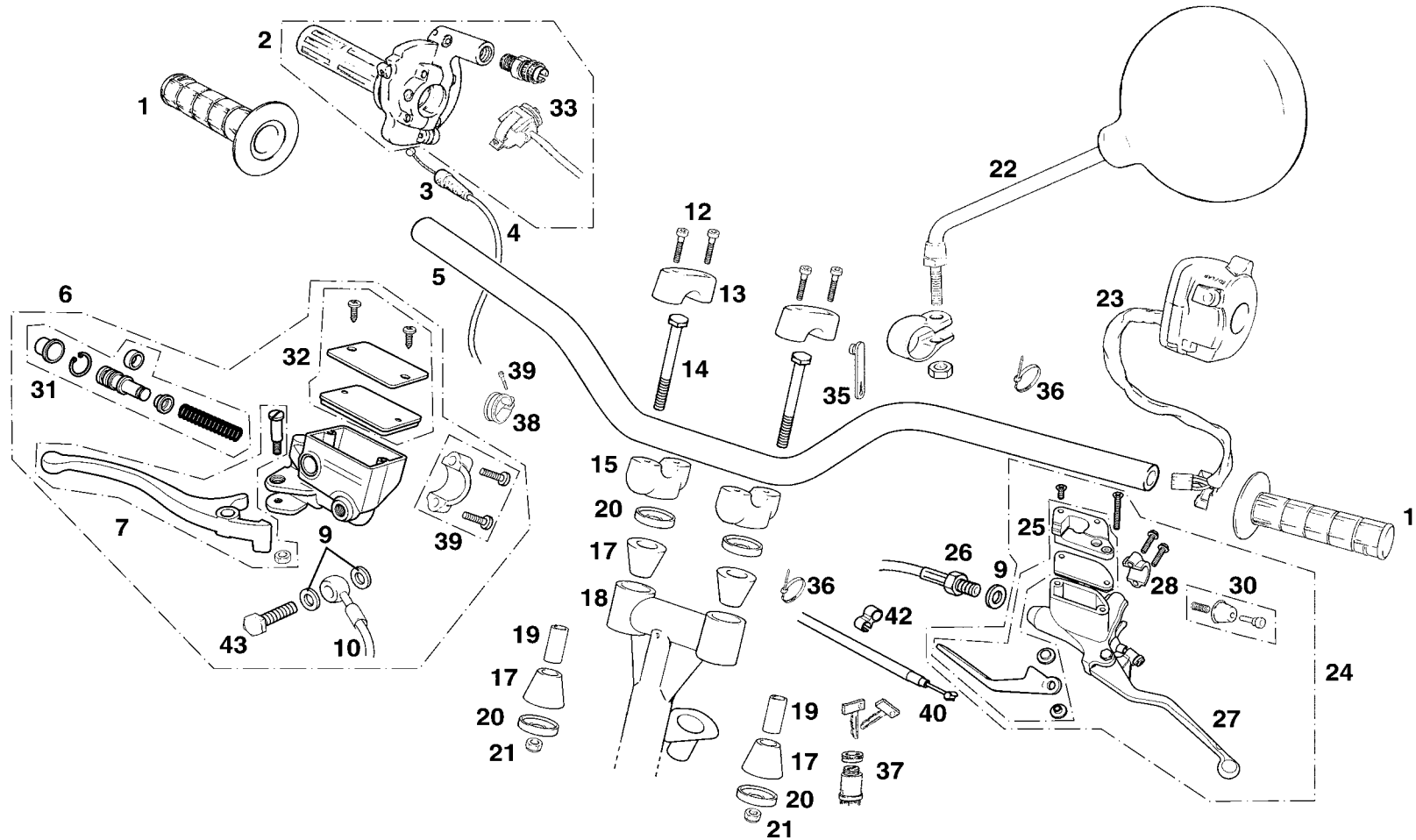
Nº	DESCRIPCION / DESCRIPTION	WILD HP 450 2007	Cant.
1	BANCADA MONTAJE MOTOR / ENGINE ASSEMBLY HOLDER	BT27950050	1
2	EXTRACTOR COJINETE CIGÜEÑAL / BEARING EXTRACTOR	ME25950000	1
3	EXTRACTOR VOLANTE / FLYWHEEL EXTRACTOR	MFS400134045	1
4	EXTRACTOR CARTER / CRANKCASE EXTRACTOR	ME25950005	1
5	CARGADOR DE BATERIA GAS02 / BATTERY CHARGER	MFS450380118	1
6	ANALIZADOR DE GASES C0 GAS01 / C0 GAS01 SCANNER	MFS450380117	1



Nº	DESCRIPCION / DESCRIPTION	WILD HP 450 2007	Cant.
1	JUEGO EMPUÑADURAS / HANDLEBAR GRIP (PAIR)	BE250736002	1
2	PUÑO GAS / TWIST GRIP	BE25724007	1
3	GUARDAPOLVO CABLE GAS / THROTTLE CABLE DUST COVER	G600000	1
4	CABLE GAS / THROTTLE CABLE	BFS450524008	1
5	MANILLAR / HANDLEBAR	BE250624001	1
6	BOMBA FRENO DELANTERO / FRONT BRAKE PUMP SET	BQ450722008	1
7	KIT MANETA FRENO	BQ450722045	1
9	ARANDELA LATIGUILLO 10X14X1 / HOSE WASHER	BQ450722223	3
10	LATIGUILLO FRENO DELANTERO - A VÁLVULA DISTRIBUCIÓN	BQ450722002	1
12	TORNILLO SUJECCIÓN BRIDA MANILLAR / HANDLEBAR CLAMP SCREW	T0308035	4
13	BRIDA SUJECCIÓN MANILLAR SUPERIOR / HANDLEBAR UPPER CLAMP	BE250614012	2
14	TORNILLO ESPECIAL M10X75 / M14X75 SPECIAL SCREW	T0201075	2
15	BRIDA SUJECCIÓN MANILLAR INFERIOR / HANDLEBAR LOWER SCREW	BE250614013	2
17	GOMA SILENTBLOCK MANILLAR / HANDLEBAR SILENTBLOCK RUBBER	BQ300224002	4
18	EJE DIRECCIÓN / STEERING AXLE	BQ450714003	1
19	CASQUILLO SILENTBLOCK MANILLAR / HANDLEBAR SILENTBLOCK BUSHING	BQ300224005	2
20	TAPETA SILENTBLOCK MANILLAR / HANDLEBAR SILENTBLOCK COVER	BQ300224003	4
21	TUERCA AUTOBLOCANTE M10 ALTA CON ARANDELA / M10 SELF-LOCKING NUT WITH WASHER	T3110002	2
22	ESPEJO RETROVISOR / REAR-VIEW MIRROR	L300760	2
23	CONMUTADOR LUCES / LIGHT SWITCH	BFS400134001	1
24	BOMBA EMBRAGUE	BQ450722009	1
25	KIT TAPA BOMBA EMBRAGUE / CLUTCH PUMP COVER SET + LEVA PARKING	BQ450722210	1
26	LATIGUILLO EMBRAGUE / CLUTCH HOSE	BQ450722003	1
27	KIT MANETA EMBRAGUE	BQ450722040	1
28	BRIDA SUJECCIÓN BOMBA EMBRAGUE / CLUTCH PUMP SUBJECTION CLAMP	BQ450722212	1
30	KIT REPARACIÓN / REPARATION SET	BQ450722208	1
31	KIT PISTÓN BOMBA FRENO	BQ450722213	1
32	KIT TAPETA BOMBA FRENO	BQ450722214	1
33	CONMUTADOR ARRANQUE / STARTING COMMMAND	BFS450434027	1
35	BRIDA / CLAMP	BE25634009	4
36	BRIDA INOX / INOX CLAMP	BQ300214157	2
37	CLAUSOR J20.49C TRIAL 2002 / 2002 TRIAL J20.49C CLAUSOR	BT280210075	1

GAS GAS

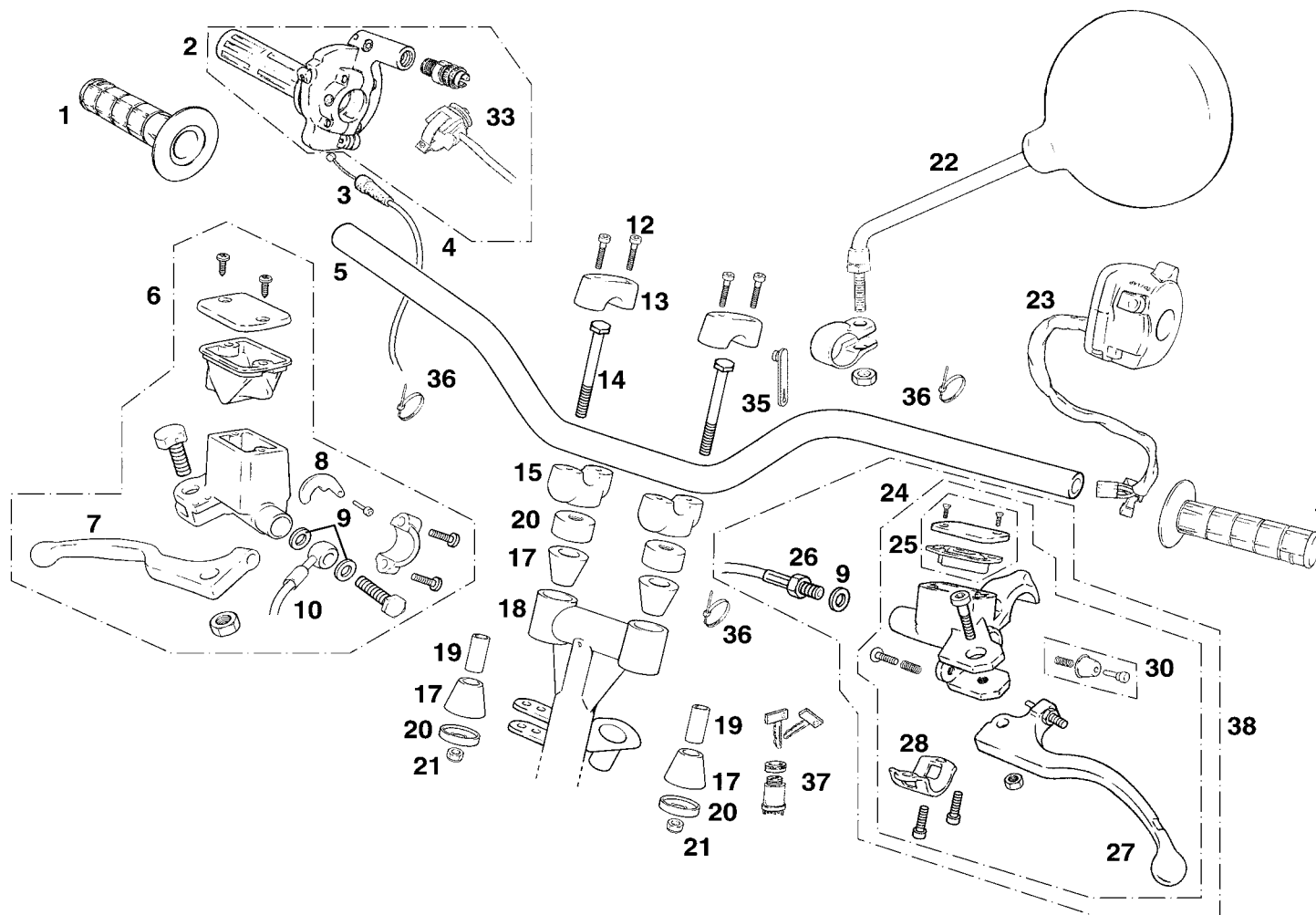
Chasis 1



Nº	DESCRIPCION / DESCRIPTION	WILD HP 450 2007	Cant.
38	ABRAZADERA INOX. 8 / INOX. CLAMP 8	BQ300214157	2
39	KIT BRIDA SUJECCIÓN BOMBA FRENO	BQ450722211	1
40	CABLE DE FRENO PARKING	BQ450722133	1
42	SOP.TUBO DESVAP. NEGRO / BLACK DESVAP. HOSE SUPPORT	PZ20005	1
43	RACOR	BQ450722222	1
44	CONJUNTO FRENO INTEGRAL	BQ450722115	1

GAS GAS

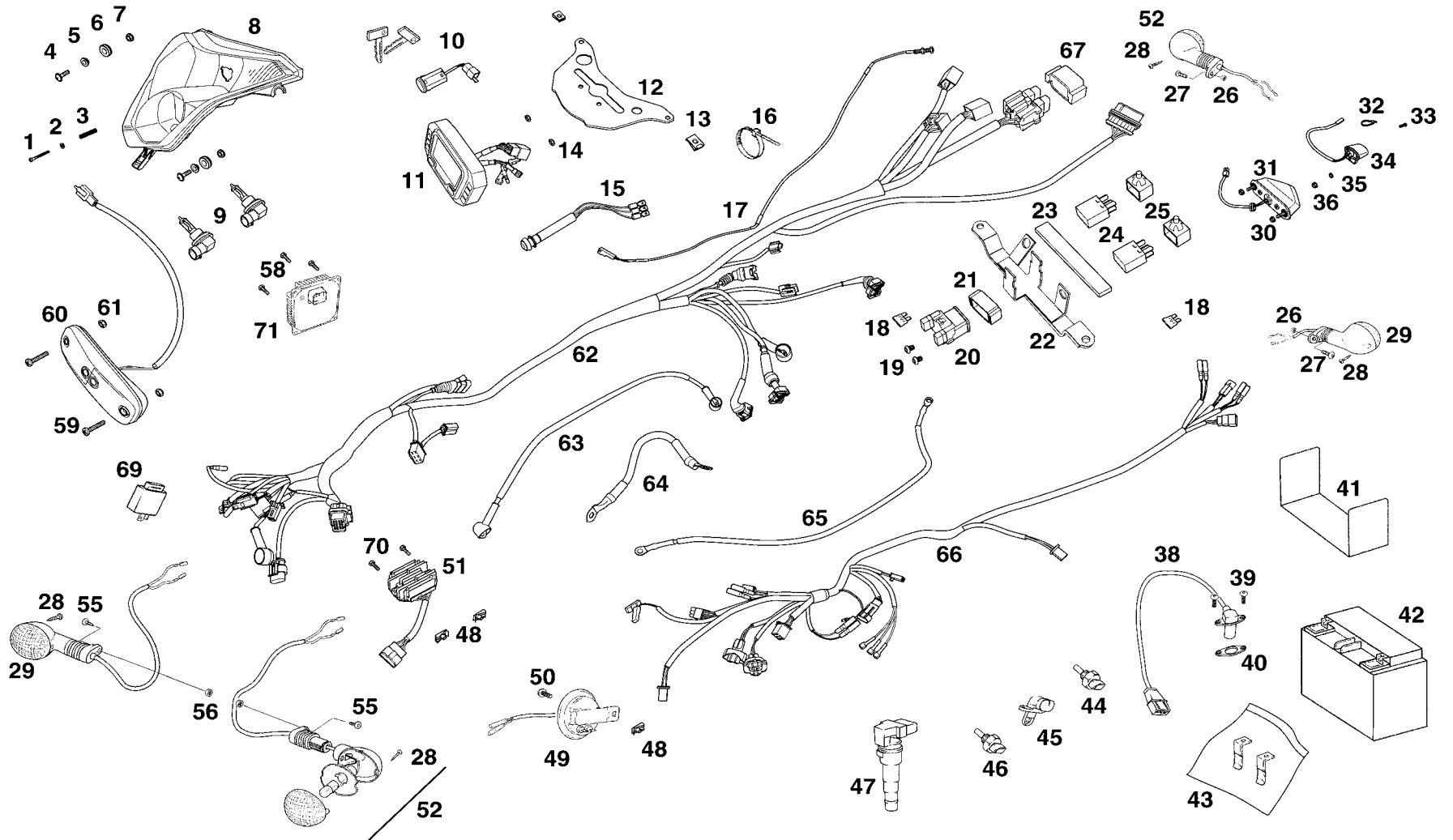
Chasis 1



Nº	DESCRIPCION / DESCRIPTION	WILD HP 450 2007	Cant.
1	JUEGO EMPUÑADURAS / HANDLEBAR GRIP (PAIR)	BE250736002	1
2	PUÑO GAS / TWIST GRIP	BE25724007	1
3	GUARDAPOLVO CABLE GAS / THROTTLE CABLE DUST COVER	G600000	1
4	CABLE GAS / THROTTLE CABLE	BFS450524008	1
5	MANILLAR / HANDLEBAR	BE250624001	1
6	CTO. BOMBA FRENO DELANTERO / FRONT BRAKE PUMP SET	BQ300222008	1
7	MANETA FRENO DELANTERO / FRONT BRAKE LEVER	BQ300222045	1
8	LEVA FRENO APARCAMIENTO / PARKING BRAKE LEVER	BQ300222130	1
9	ARANDELA LATIGUILLO 10X14X1 / HOSE WASHER	BE25622007	3
10	LATIGUILLO FRENO DELANTERO / FRONT BRAKE HOSE	BQ300222002	1
12	TORNILLO SUJECCIÓN BRIDA MANILLAR / HANDLEBAR CLAMP SCREW	T0308035	4
13	BRIDA SUJECCIÓN MANILLAR SUPERIOR / HANDLEBAR UPPER CLAMP	BE250614012	2
14	TORNILLO HEXAGONAL M10X85 DIN-931 / M10X85 HEXAGONAL SCREW	T0201075	2
15	BRIDA SUJECCIÓN MANILLAR INFERIOR / HANDLEBAR LOWER SCREW	BE250614013	2
17	GOMA SILENTBLOCK MANILLAR / HANDLEBAR SILENTBLOCK RUBBER	BQ300224002	4
18	EJE DIRECCIÓN / STEERING AXLE	BQ450714003	1
19	CASQUILLO SILENTBLOCK MANILLAR / HANDLEBAR SILENTBLOCK BUSHING	BQ300224005	2
20	TAPETA SILENTBLOCK MANILLAR / HANDLEBAR SILENTBLOCK COVER	BQ300224003	4
21	TUERCA AUTOBLOCANTE M10 ALTA DIN 982 / M10 SELF-LOCKING NUT	T2114001	2
22	ESPEJO RETROVISOR / REAR-VIEW MIRROR	L300760	2
23	CONMUTADOR LUCES / LIGHT SWITCH	BFS400134001	1
24	CTO. BOMBA EMBRAGUE / CLUTCH PUMP SET	BQ450722009	1
25	KIT TAPA BOMBA EMBRAGUE / CLUTCH PUMP COVER SET + LEVA PARKING	BQ450722210	1
26	LATIGUILLO EMBRAGUE / CLUTCH HOSE	BQ450722003	1
27	KIT MANETA EMBRAGUE	BQ450722040	1
28	BRIDA SUJECCIÓN BOMBA EMBRAGUE / CLUTCH PUMP SUBJECTION CLAMP	BQ450722212	1
30	KIT REPARACIÓN / REPARATION SET	BQ450722208	1
33	CONMUTADOR ARRANQUE / STARTING COMMMAND	BFS450434027	1
35	BRIDA / CLAMP	BE25634009	4
36	BRIDA INOX / INOX CLAMP	BQ300214157	2
37	CLAUSOR J20.49C TRIAL 2002 / 2002 TRIAL J20.49C CLAUSOR	BT280210075	1
38	CTO. EMBRAGUE CON FRENO DE EMERGENCIA	BQ450722005CT	1

GAS GAS

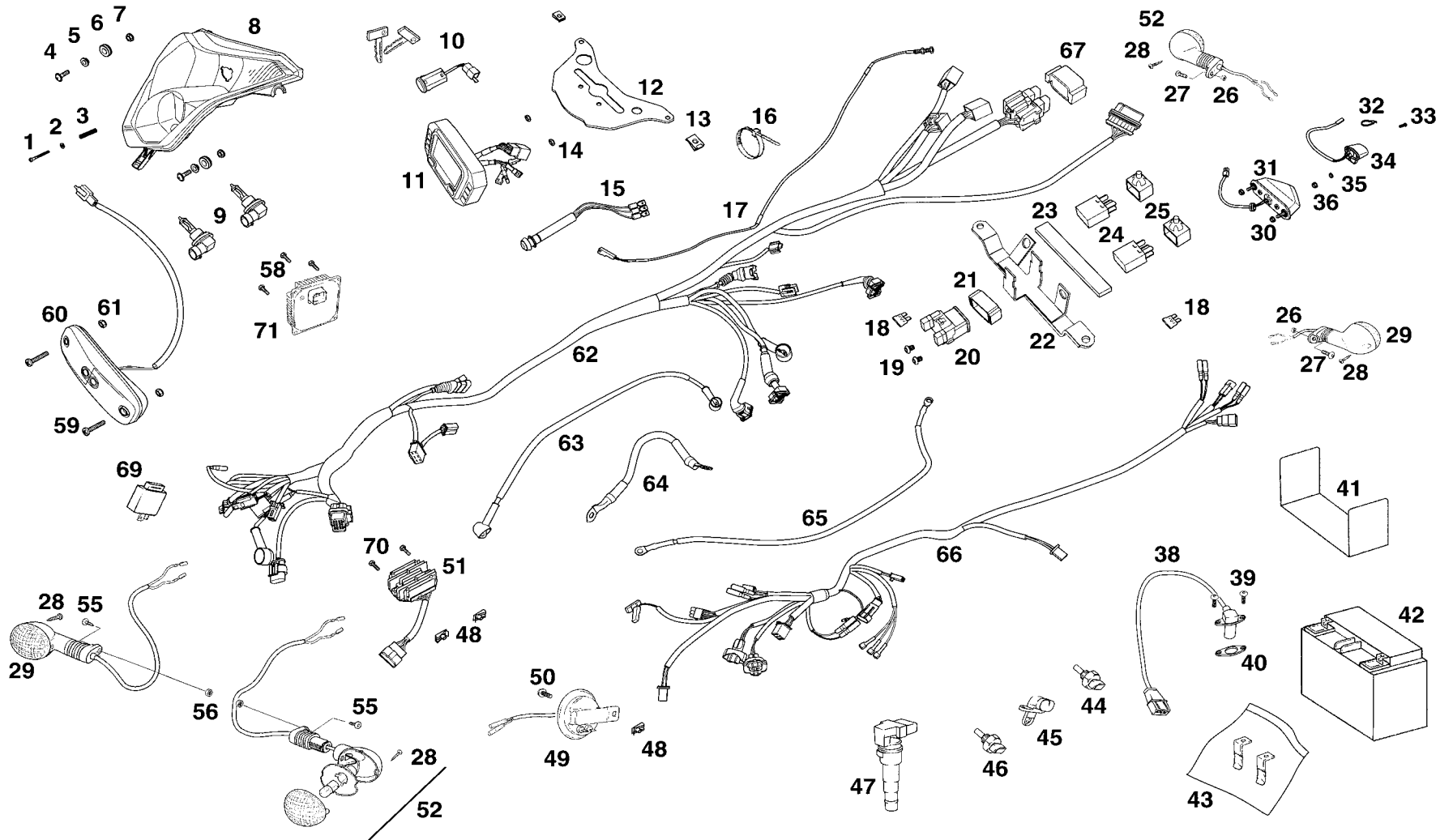
Chasis 1



Nº	DESCRIPCION / DESCRIPTION	WILD HP 450 2007	Cant.
1	TORNILLO 4X38 / 4X38 SCREW	T0304035	1
2	ARANDELA 4X9X1 / 4X9X1 WASHER	T4004009	2
3	MUELLE / SPRING	BX250020026	1
4	ULS 6X20 ARANDELA / ULS 6X20 WASHER	T0556020	2
5	CASQUILLO / BUSHING	BE25610007	2
6	GOMA / RUBBER	G200000	2
7	TUERCA M6 / M6 NUT	T2206000	2
8	FARO DELANTERO / HEADLAMP	BQ450720024	1
9	BOMBILLA H8 / H8 LAMP		2
10	CERRADURA CONTACTO / CONTACT SWITCH	BFS450334032	1
11	MULTIFUNCIÓN / MULTIFUNCTION	BQ450634005	1
12	SOPORTE RELOJ / WATCH SUPPORT	BQ450734045	1
13	GRAPA / NUT	T2606000	2
14	TUERCA AUTOBLOCANTE M4 / M4 SELFLOCKING NUT		2
15	INTERRUPTOR EMERGENCIA / WARNING SWITCH	BQ300634052	1
16	BRIDA / CLAMP	BE25634009	10
17	SENSOR CUENTA KM / SPEED-METER SENSOR	BE250634050	1
18	FUSIBLE / FUSE		2
19	ULS 6X8 / 6X8 ULS	T0506008	2
20	RELÉ ARRANQUE / STARTER RELAY	BFS400134075/2	1
21	GOMA SOPORTE RELÉ / RELAY SUPPORT RUBBER		1
22	SOPORTE BATERIA / BATTERY SUPPORT	BQ450734082	1
23	ESPUMA SOPORTE / SUPPORT FOAM	BQ450734091	1
24	RELÉ BOMBA DE COMBUSTIBLE / FUEL PUMP RELAY O VENTILADOR		1
25	GOMA SOPORTE RELÉ / RELAY SUPPORT RUBBER		1
26	TUERCA AUT. M6 BAJA / LOW M6 SELFLOCKING NUT	T2106000	2
27	ULS 6X16 / 6X16 ULS	T0506016	2
28	TORNILLO PHILIPS ROSCA-CHAPA 6,3X16 ZINCADO / 6,3X16 PHILIPS SCREW	T0706316	4
29	INTERMITENTE DERECHO / RIGHT INDICATOR DELANTERO	BQ450734021	2
30	TUERCA M6 / M6 NUT	T2206000	2
31	PILOTO TRASERO / REAR LIGHT	BQ450734015	1
32	BRIDA / CLAMP	BE25634010	1
33	ULS 5X15 / 5X15 ULS	T0505015	1

GAS GAS

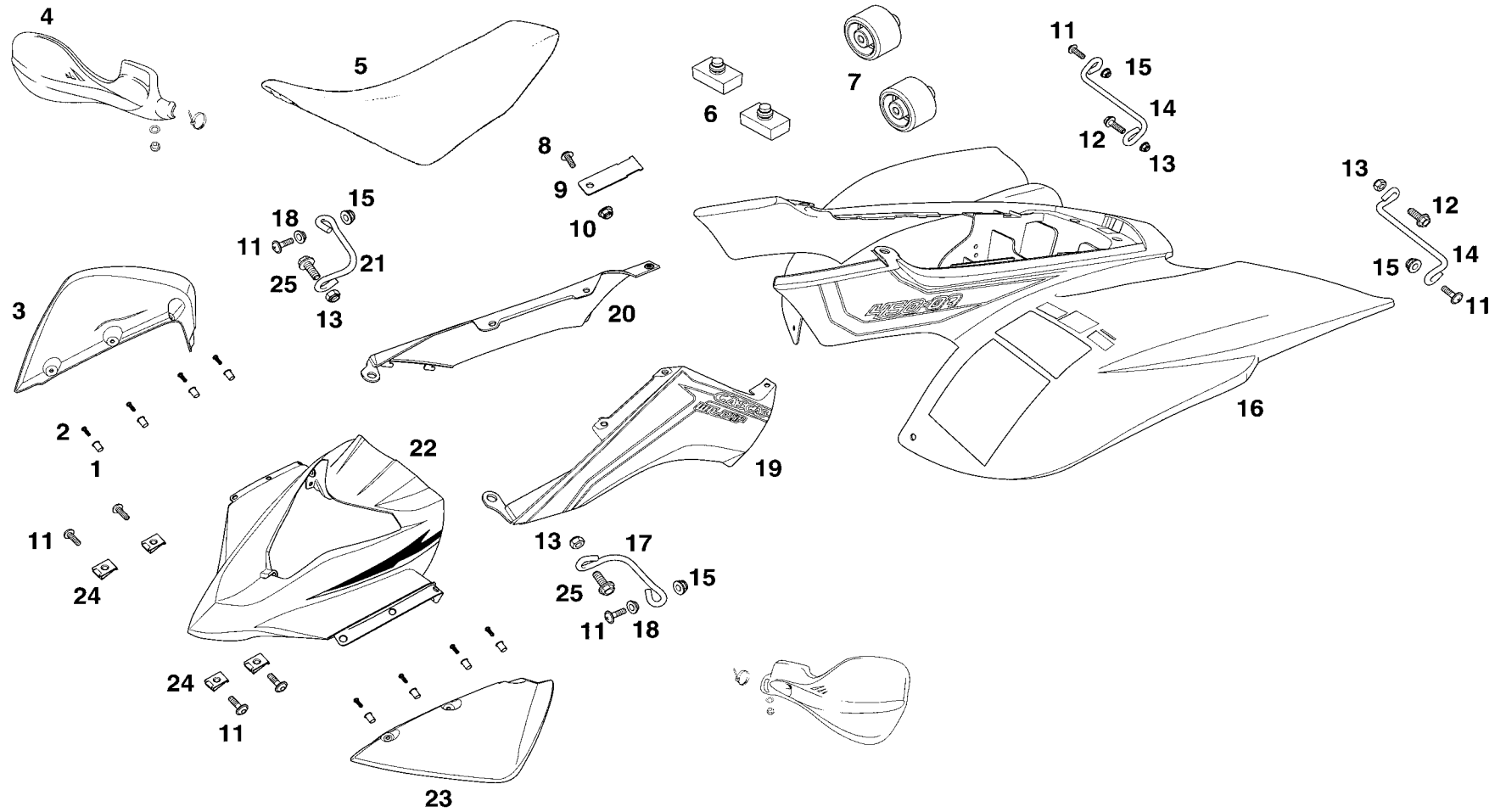
Chasis 2



Nº	DESCRIPCION / DESCRIPTION	WILD HP 450 2007	Cant.
34	PILOTO MATRICULA / PLATE LIGHT	BE250734124/2	1
35	ARANDELA 5X12X1,5 / 5X12X1,5 NUT	T4005012	1
36	TUERCA AUT. M5 / M5 SELFLOCKING NUT	T2105000	1
38	SENSOR GIRO / TURN SENSOR	MFS450680005	1
39	ULS 5X9 / 5X9 ULS BOLT	T0505008	2
40	JUNTA SENSOR GIRO / TURN SENSOR GASKET	MFS450344030	1
41	ESPUMA BATERIA / BATTERY FOAM	BQ450734090	1
42	BATERIA / BATTERY	BQ450734080	1
43	TERMINAL BATERIA / BATTERY END	MFS400180115	2
44	SENSOR ACEITE / OIL SENSOR	MFS400326568	1
45	SENSOR AIRE / AIR SENSOR	MFS400180003	1
46	SENSOR AGUA / WATER SENSOR	MFS400180004	1
47	BOBINA / COIL	MFS450780006	1
48	GRAPA / NUT	T260600	1
49	BOCINA / HORN	BIE500134020	1
50	ULS 6X10 / 6X10 ULS	T0506010	1
51	REGULADOR / REGULATOR	MFS400134009	1
52	INTERMITENTE IZQUIERDO DELANTERO / FRONT LEFT INDICATOR LIGHT	BQ450734022	2
55	ALLEN 6X45 / 6X45 ALLEN BOLT	T0306045	2
56	TUERCA M6 AUTOBLOCANTE CON ARANDELA / M6 SELF-LOCKING NUT WITH WASHER	T2206001	2
58	ALLEN 5X15 / 5X15 ALLEN	T0305015	3
59	TORNILLO PHILIPS 4X20 / PHILIPS 4X20 SCREW	T0704020	2
60	PILOTO / FRONT LIGHT	BQ450720125	1
61	TUERCA AUT. M4 / M4 SELFLOCKING NUT	T2104000	2
62	INSTALACIÓN ELÉCTRICA / ELECTRICAL SYSTEM	BQ450780104	1
63	CABLE POSITIVO / POSITIVE CABLE	MQ450780124	1
64	CABLE POSITIVO / POSITIVE CABLE	MQ450780120	1
65	CABLE MASA / GROUND CABLE	MQ450780120	1
66	INSTALACIÓN LUCES / LIGHT ELECTRICAL SYSTEM	MQ450780119	1
67	GOMA PORTAFUSIBLES / FUSE BOX RUBBER	BFS450480121	1
69	CAJA INTERMITENCIA / ELECTRONIC FLASHER	BFS450434055	1
70	ALLEN 6X16 / 6X16 ALLEN	T0306016	2
71	CENTRALITA / SWITCHBOARD	MFS450680001	1

GAS GAS

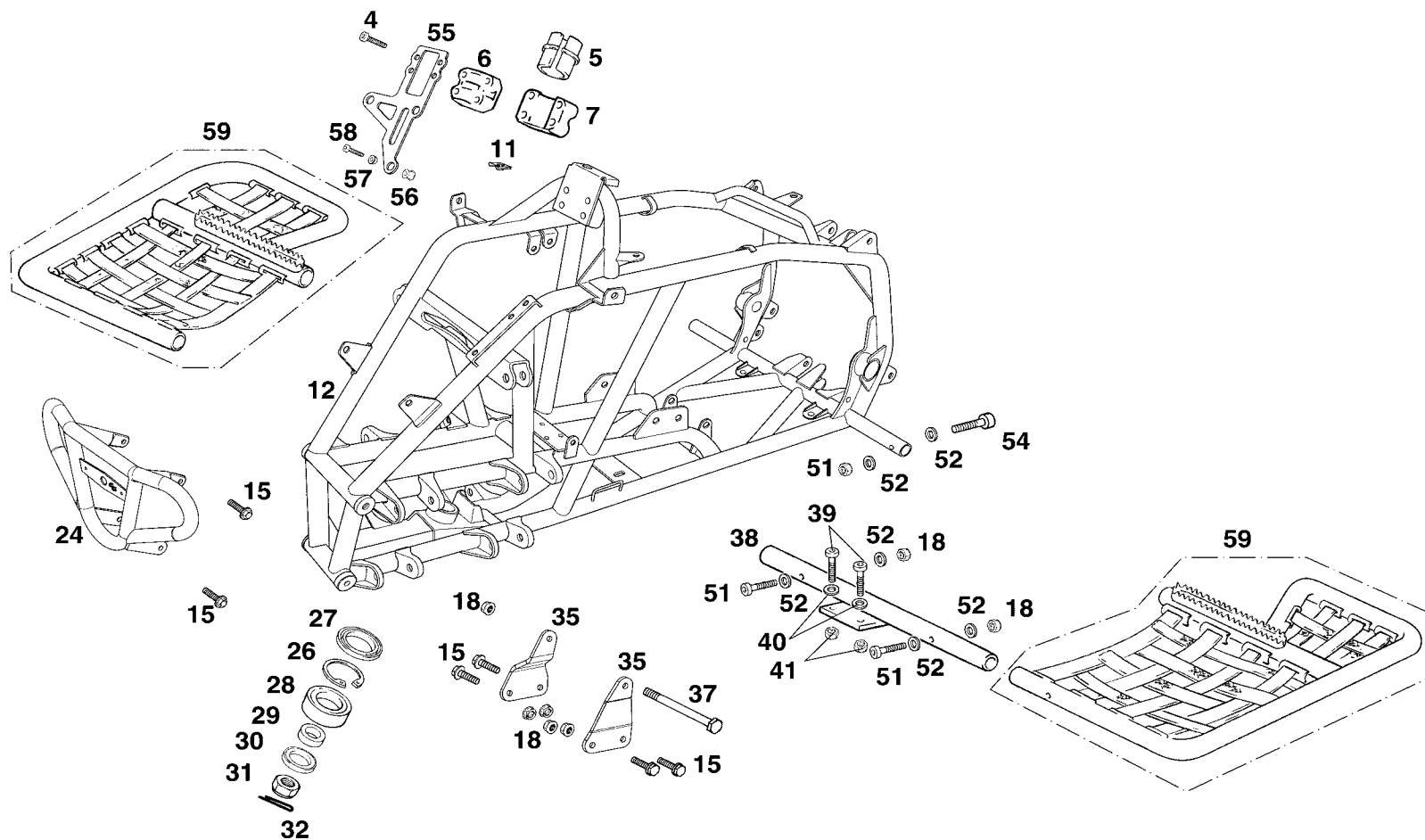
Chasis 2



Nº	DESCRIPCION / DESCRIPTION	WILD HP 450 2007	Cant.
1	INJERTO DE GOMA / RUBBER GRAFT	BQ300214066	8
2	TORNILLO ULS 5 X 16 / 5 X 16 ULS SCREW	T0505016	8
3	ALETÍN DERECHO / RIGHT MUDGUARD	BQ450720006R	1
4	JUEGO PARAMANOS HP2050141 TRAIL / HANDS PROTECTOR SET	BTL400220034GC	1
5	SILLIN / SEAT	BQ450710015	1
6	GOMA BASE BAJO ASIENTO / SEAT BASE RUBBER	BQ450710155	2
7	GOMA BASE BAJO ASIENTO / SEAT BASE RUBBER	BQ450710156	2
8	ULS 6X16 CON ARANDELA / ULS 6X16 WITH WASHER	T0556016	1
9	SOPORTE / SUPPORT	BFS400134057	1
10	TUERCA M6 CON ARANDELA / M6 NUT WITH WASHER	T2206002	1
11	ULS 6X20 CON ARANDELA / 6X20 ULS WITH WASHER	T0556020	4
12	TORNILLO LAURVIT 8X25 / 8X25 LAURVIT SCREW	T0208025	2
13	TUERCA M8 AUTOBLOCANTE BAJA / LOW SELFLOCKING M8 NUT	T2108001	4
14	SOPORTE GUARDABARROS TRASERO / REAR MUDGUARD SUPPORT	BQ450720060	2
15	TUERCA M6 CON ARANDELA / M6 NUT WITH WASHER	T2206002	4
16	CARROCERÍA TRASERA / REAR BODYWORK	BQ450720007	1
17	SOPORTE GUARDABARROS TRASERO I. / LEFT REAR MUDGUARD SUPPORT	BQ450720059	1
18	CASQUILLO / BUSHING	BE25610007	2
19	TAPA LATERAL IZQ. / LEFT LATERAL COVER	BQ450720013	1
20	TAPA LATERAL DER. / RIGHT LATERAL COVER	BQ450720012	1
21	SOPORTE GUARDABARROS TRAS. DER. / RIGHT REAS MUDGUARD SUPPORT	BQ450720058	1
22	CARROCERIA DELANTERA / FRONT BODYWORK	BQ450720006	1
23	ALETÍN IZQUIERDO / LEFT MUDGUARD	BQ450720006L	1
24	GRAPA M6 / M6 NUT	T2606000	4
25	TORNILLO LAURVIT M8X20 / M8X20 LAURVIT SCREW	T0208020	2

GAS GAS

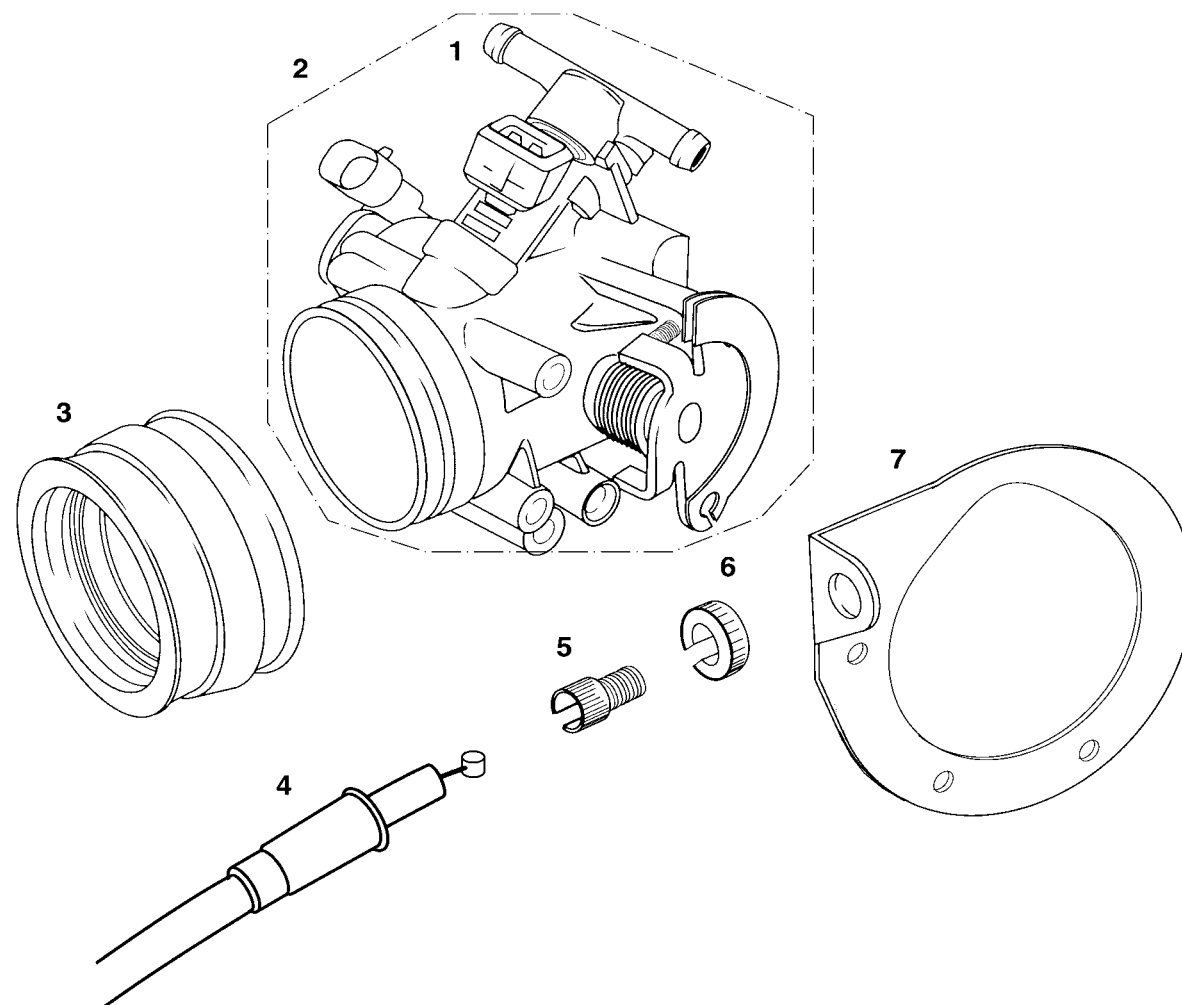
Chasis 3



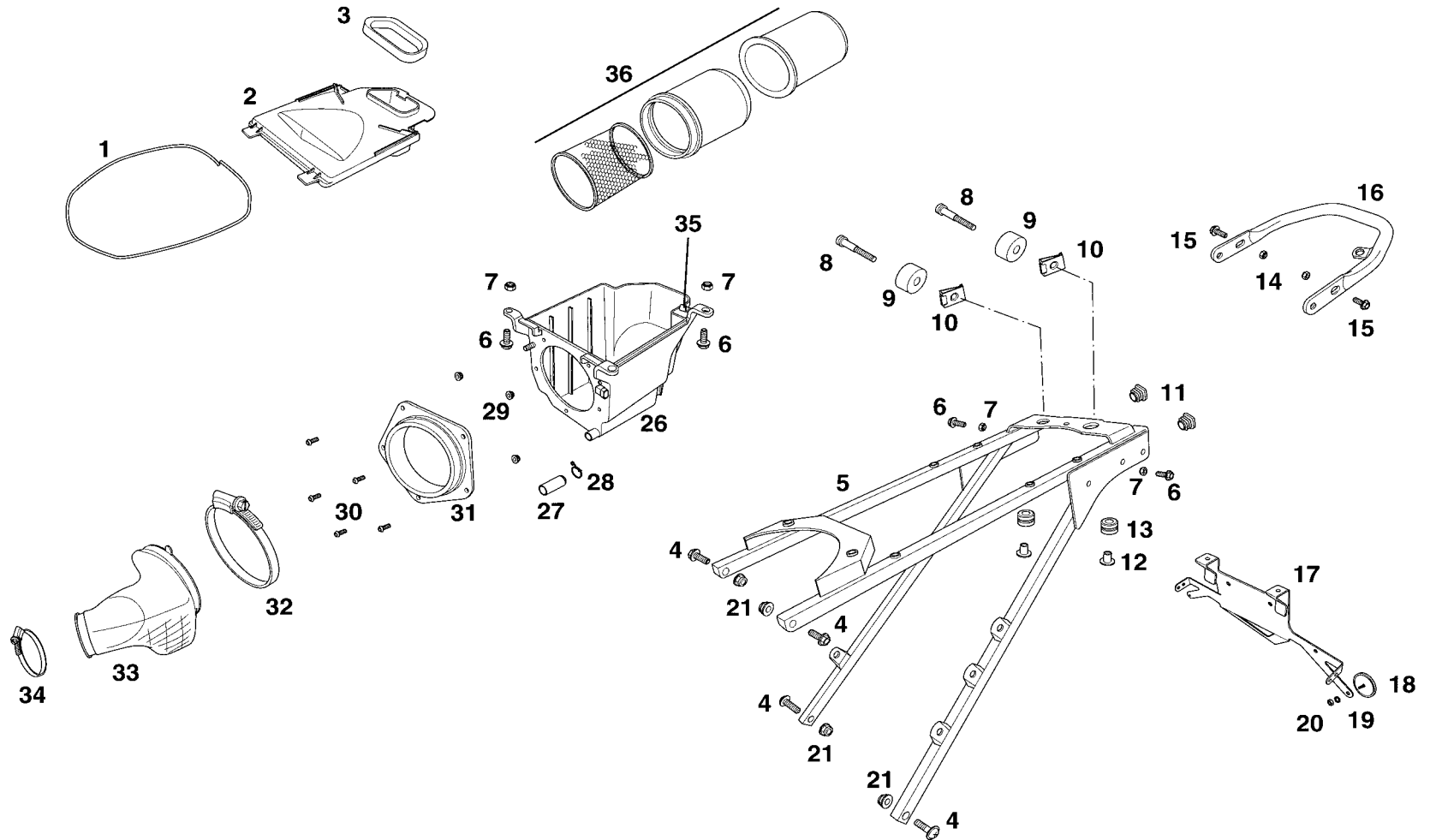
Nº	DESCRIPCION / DESCRIPTION	WILD HP 450 2007	Cant.
1	RED GRANDE PARRILLA / BIG GRILL NET -	BQ300210105	2
4	ALLEN 8X55 / 8X55 ALLEN BOLT	T0308055	4
5	COJINETE DIRECCION TEFLON 53221-HB9-670 / STEERING BEARING	BQ300210008	1
6	ABRAZADERA COJINETE DIRECCION DELANTERA / STEERING FRONT BEARING CLAMP	BQ300210145	1
7	ABRAZADERA COJINETE DIRECCION TRASERA / STEERING REAR BEARING CLAMP	BQ300210146	1
11	TUERCA RAPIDA M6 / M6 FAST NUT	T2606000	9
12	CHASIS / FRAME	BQ450710000	1
15	TORNILLO LAURVIT M8X25 / M8X25 LAURVIT SCREW	T0208025	8
18	TUERCA AUTOBLOCANTE M8 ALTA CON ARANDELA / M8 SELF-LOCKING NUT WITH WASHER	T2208002	7
24	PARACHOQUES / FRONT BUMPER	BQ450729000	1
26	SEEGER COJINETE DIRECCION / STEERING BEARING SEEGER	BQ300210110	1
27	RETEN DIRECCION SUPERIOR 40X28X7 / UPPER STEERING SEAL	BQ300210142	1
28	COJINETE 6203 RSR / 6203 RSR BEARING	C180000	1
29	CASQUILLO RETEN DIRECCION / STEERING SEAL BUSHING	BQ300210144	1
30	RETEN DIRECCION INFERIOR 35X24X7 / LOWER STEERING SEAL	BQ300210143	1
31	TUERCA AUTOBLOCANTE M14 / M14 SELF-LOCKING NUT	T2114001	1
32	CLAVILLA ZINC / ZINC PIN	BE25622022	1
35	PLETINA SOPORTE DELANTERO MOTOR	BQ110004508	2
37	TORNILLO LAURVIT M8X103 / M8X103 LAURVIT SCREW	T0208103	1
38	SOPORTE DELANTERO ESTRIBOS / FRONT FOOTPEG SUPPORT	BQ300210108	1
39	ALLEN 6X25 / 6X25 ALLEN BOLT	T0306025	2
40	ARANDELA 6.5X16X1.5 / 6,5X16X1,5 WASHER	T4006016	2
41	TUERCA AUTOBLOCANTE M6 CON ARANDELA / M6 SELF-LOCKING NUT WITH WASHER	T2206002	2
51	ALLEN 8X45 / 8X45 ALLEN BOLT	T0308045	2
52	ARANDELA 8X16X1,5 / 8X16X1,5 WASHER	T4008016	8
55	SOPORTE CENTRALITA / SWITCHBOARD SUPPORT	BQ450734107	1
56	SILENTBLOCK / SILENTBLOCK	G200000	3
57	CASQUILLO / BUSHING	MFS450480012	3
58	ALLEN 5x15 / 5X15 ALLEN	T0305015	3
59	CONJUNTO ESTRIBOS -	BQ300510002CT	1

GAS GAS

Chasis 4



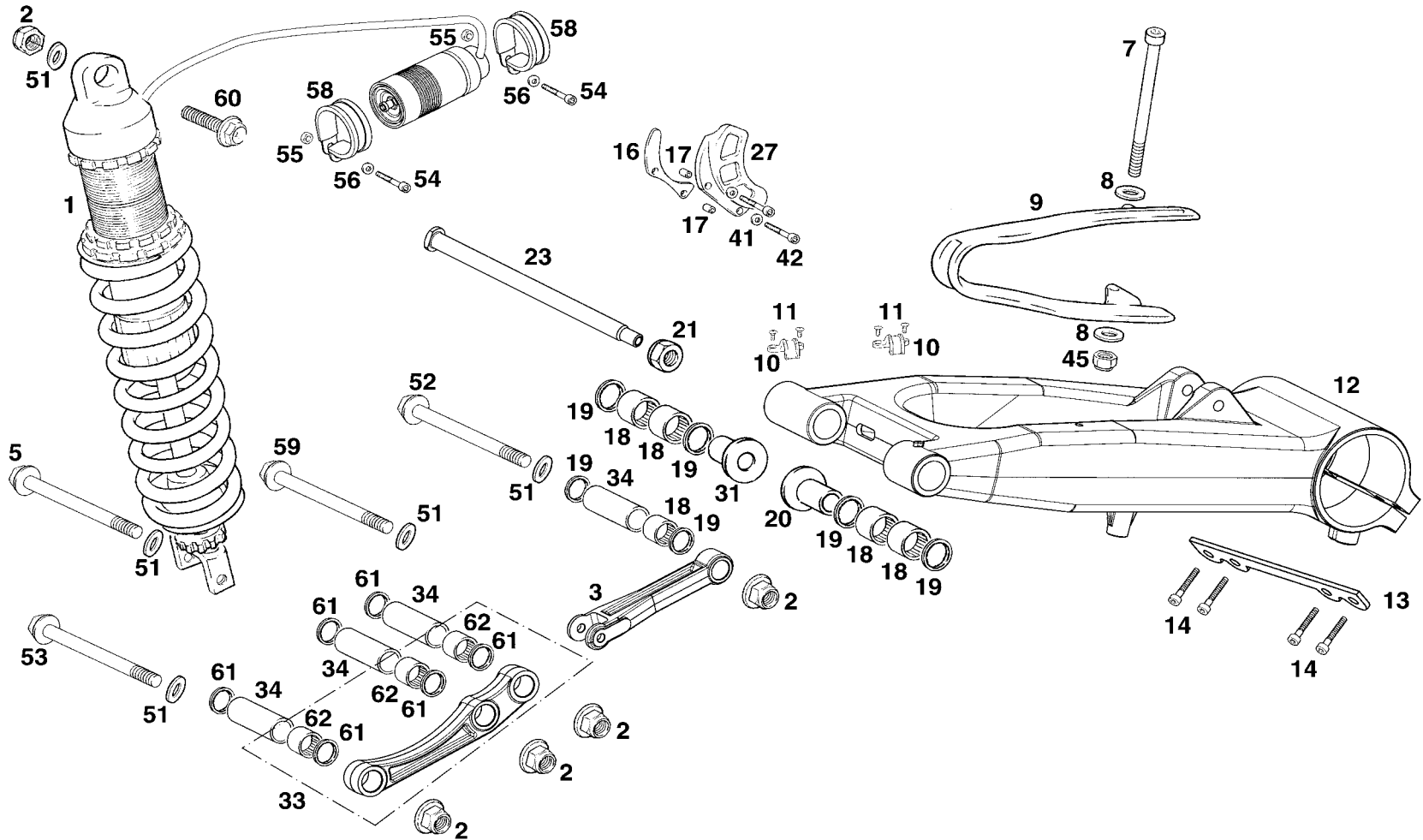
Nº	DESCRIPCION / DESCRIPTION	WILD HP 450 2007	Cant.
1	INYECTOR FSE / FSE INJECTOR	MFS450380008	1
2	CUERPO MARIPOSA	MFS450580007	
3	TUBERA ADMISIÓN / INTAKE RUBBER	MFS400116131	1
4	CABLE GAS / THROTTLE CABLE	BFS450524008	1
5	TUERCA TENSOR CABLE GAS / THROTTLE GAS TENSOR NUT	BFS400124013	1
6	TENSOR CABLE GAS / THROTTLE GAS TENSOR	BFS450524012	1
7	SOPORTE CABLE GAS / THROTTLE GAS SUPPORT	BFS450524014	1
8	TAPA ACCIONAMIENTO GAS	MFS450580007	1



Nº	DESCRIPCION / DESCRIPTION	WILD HP 450 2007	Cant.
1	TORICA / O'RING	BQ450728019	1
2	TAPA CAJA DE FILTRO / FILTER BOX COVER	BQ450728016	1
3	GOMA / RUBBER	BQ450728022	1
4	TORNILLO LAURVIT M8X35 / M8X35 LAURVIT SCREW	T0208035	4
5	COLA / TAIL	BQ450710001	1
6	ULS 6X20 CON ARANDELA / ULS 6X20 WITH WASHER	T0556020	6
7	CASQUILLO / BUSHING	BE25610007	6
8	ALLEN 6X60 / 6X60 ALLEN	T0306060	2
9	DISTANCIADOR / SPACER	BQ450326048	2
10	GRAPA M6 / M6 NUT	T2606000	2
11	TAPON COLA / TAIL CAP	BQ450711005	2
12	CASQUILLO / BUSHING	BE250026000	2
13	SILENBLOCK ESCAPE / EXHAUST SILENTBLOCK	BE250026005	2
14	TUERCA M8 AUTOBLOCANTE BAJA / LOW M8 SELFLOCKING NUT	T2108001	2
15	TORNILLO LAURVIT M8X2 / M8X20 LAURVIT SCREW	T0208020	2
16	SOPORTE COLA / TAIL SUPPORT	BQ450710018	1
17	SOPORTE MATRICULA / PLATE SUPPORT	BQ450710147	1
18	CATADRIOPTICO / REFLECTOR	BQ450734125	2
19	ARANDELA 5X12X1,5 / 5X12X1,5 WASHER	T4005012	2
20	TUERCA AUT. M5 / M5 SELFLOCKING NUT	T2105000	2
21	TUERCA M8 AUTOBLOCANTE / M8 SELFLOCKING NUT	T2208002	4
26	CONJUNTO CAJA DE FILTRO / FILTER BOX SET	BQ450728001CT	1
27	VALVULA / VALVE	BQ300228041/2	1
28	ABRAZADERA / CLAMP	BQ300428043/2	1
29	TUERCA M6 / M6 NUT	T2206000	5
30	ULS 6X16 / 6X16 ULS	T0506016	5
31	UNIÓN CAJA / BOX UNION	BQ450728060	1
32	ABRAZADERA 130 / 130 CLAMP	BQ450728117	1
33	GOMA TUBERA CAJA FILTRO / FILTER BOX RUBER	BQ450728017	1
34	ABRAZADERA 40-60 / 40-60 CLAMP	L200047	1
35	GRAPA CIERRE / LOCKING NUT	BQ450728026	2
36	CONJUNTO FILTRO / FILTER SET	BQ450728000	1

GAS GAS

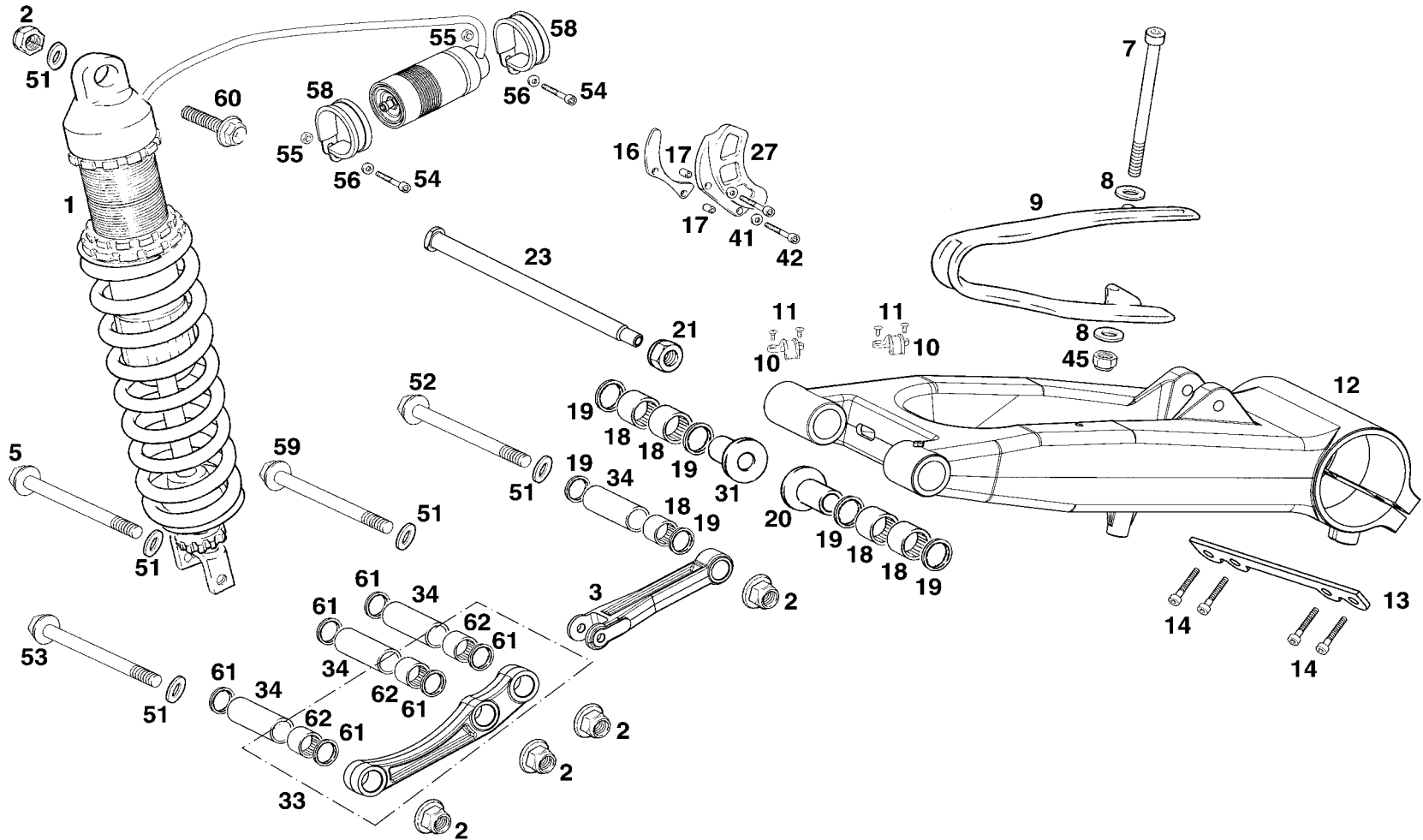
Chasis 6



Nº	DESCRIPCION / DESCRIPTION	WILD HP 450 2007	Cant.
1	AMORTIGUADOR SACHS-ZF / SACHS-ZF SHOCK ABSORBER	BQ450714004	1
2	TUERCA AUTOBLOCANTE M10x5 DIN 985 / M10 NUT CON ARANDELA	T3110003	5
3	BIELETA QUAD	BQ450714008	1
5	TORNILLO ESPECIAL M10X55 ZINCADO / M10X55 SPECIAL SCREW	T0310055	1
7	ALLEN 6X100 / 6X100 ALLEN BOLT	T03060100	1
8	ARANDELA 6X18X1.5 (DIN 9021) / 6X18X1.5 WASHER	T4006018	2
9	PATIN CADENA EC-2001 / CHAIN SLIDER	BE250112015	1
10	SUJECCION LATIGUILLO SOBRE BASCULANTE / SWINGARM HOSE SUPPORT	BE25612006	2
11	ULS 5X10 / 5X10 ULS BOLT	T0505010Z	4
12	BASCULANTE / SWINGARM	BQ450712002	1
13	GOMA PROTECCION BASCULANTE / SWINGARM PROTECTION RUBBER	BQ300212031	1
14	ALLEN 8X40 / 8X40 ALLEN BOLT	T0308040	4
16	PLETINA PROTECTOR PIÑON / PINION PROTECTOR BRACKET	ME25636021	1
17	CASQUILLO DISTANCIADOR PIÑON / SPACER PINION BUSHING	ME250036019	2
18	JAULA AGUJAS DL2216 / NEEDLES BEARING	BE25614010	4
19	RETEN 22X28X4 BASCULANTE / 22X28X4 SWINGARM SEAL	BE25610011	4
20	CASQUILLO BASCULANTE LARGO / LONG SWINGARM BUSHING	BQ450712107	1
21	TUERCA EJE BASCULANTE / SWINGARM SHAFT NUT	BE25612009	1
23	EJE BASCULANTE / SWINGARM SHAFT	BQ450712008	1
27	PROTECTOR PIÑON PLASTICO ENDURO / PLASTIC PINION COVER	ME250036121	1
31	CASQUILLO BASCULANTE CORTO / SHORT SEWINGARM BUSHING	BQ450712007	1
33	BIELETA / CONNECTING ROD	BQ450714005CT	1
34	CASQUILLO EJE BASCULANTE / CONNECTING ROD BUSHING	BQ450712014	4
41	ARANDELA PLANA 6X12X1.5 / 6X12X1.5 WASHER	T4006012	2
42	TORNILLO ESPECIAL 6X45 / 6X45 SPECIAL SCREW	T0206045	2
45	TUERCA AUTOBLOCANTE M6 BAJA/ M6 SELF-LOCKING NUT	T2106001	1
51	ARANDELA 20X10X2 / 20X10X2 WASHER	T4001020	5
52	TORNILLO ALLEN M10X80 ZINCADO / M10X80 ALLEN SCREW	T0311080	1
53	TORNILLO ALLEN M10X70 ZINCADO / M10X70 ALLEN SCREW	T0301070	1
54	TORNILLO ALLEN M6X20 ZINCADO / M6X20 ALLEN SCREW	T0308020	2
55	TUERCA CON ARANDELA / NUT WITH WASHER	T2206002	2
56	ARANDELA / WASHER	T4006018	2
58	ABRAZADERA / CLAMP	BQ450714149	2

GAS GAS

Chasis 7

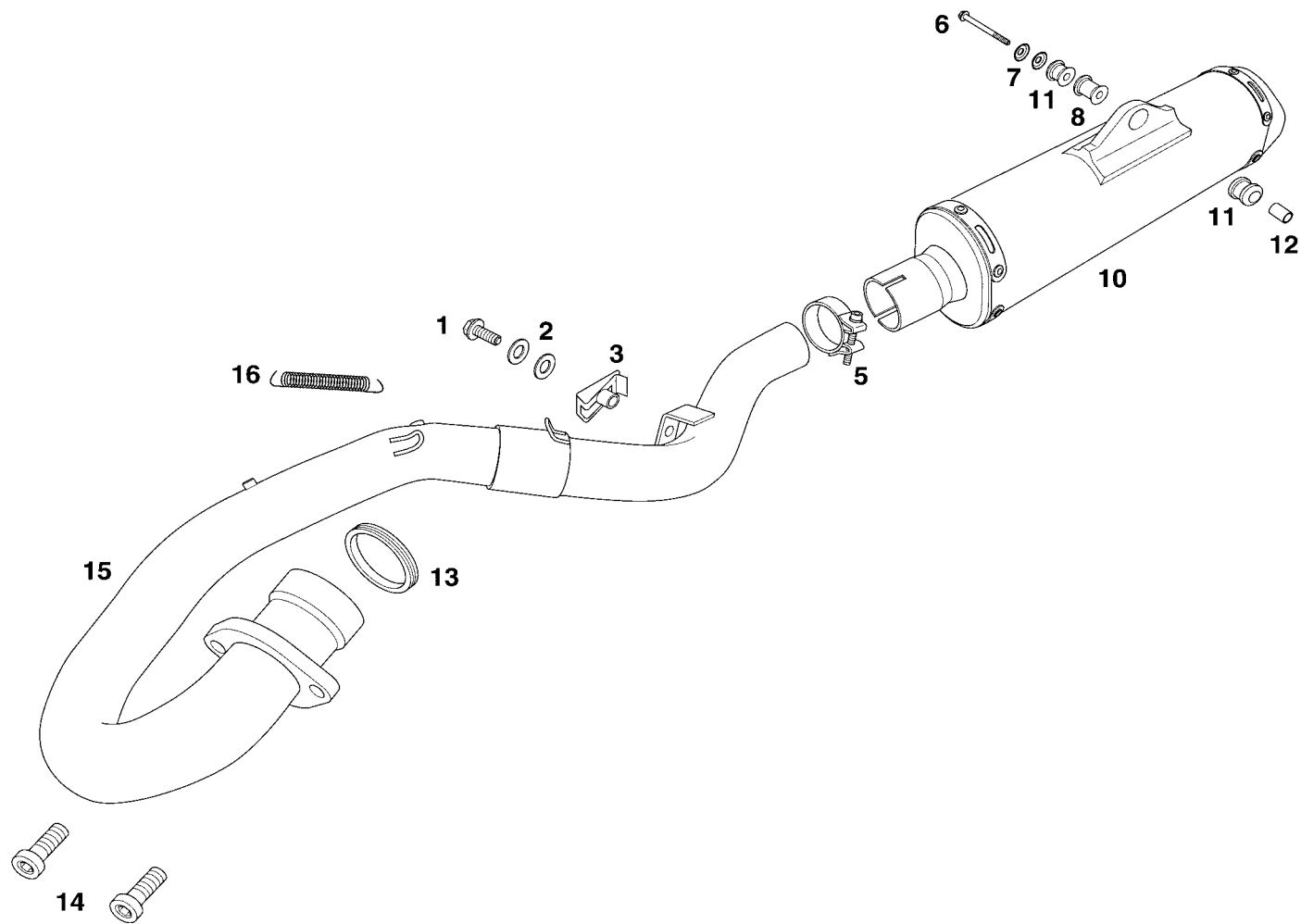


Nº	DESCRIPCION / DESCRIPTION	WILD HP 450 2007	Cant.
59	TORNILLO ALLEN M10X60 ZINCADO	T0301060	1
60	TORNILLO ALLEN M10X50 ZINCADO	T0310050	1
61	RETÉN 18X24X3	BIE500110011	6
62	COJINETE	BIE500114010	3

Tubo de escape /
Exhaust

GAS GAS

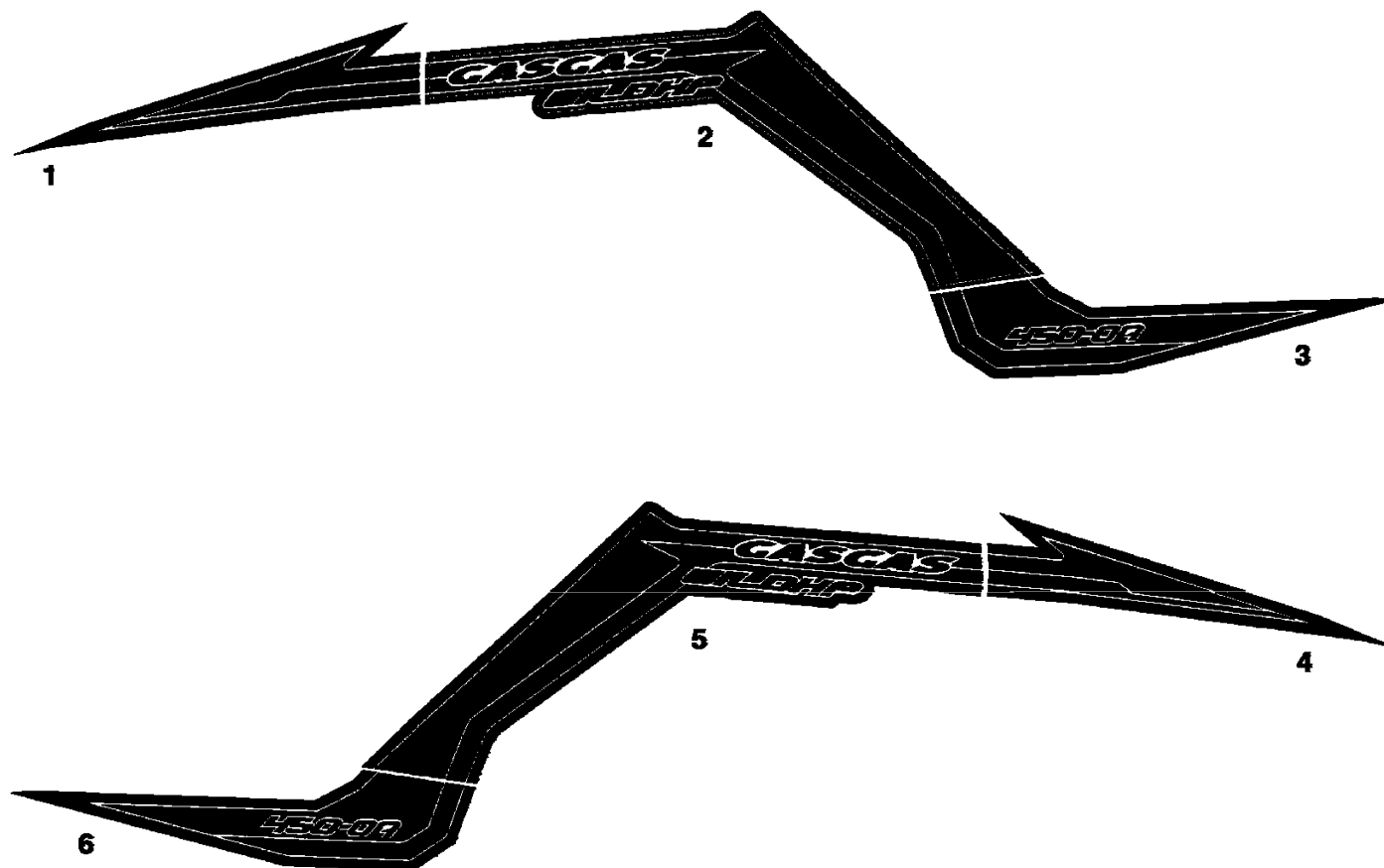
QUAD WILD 2007



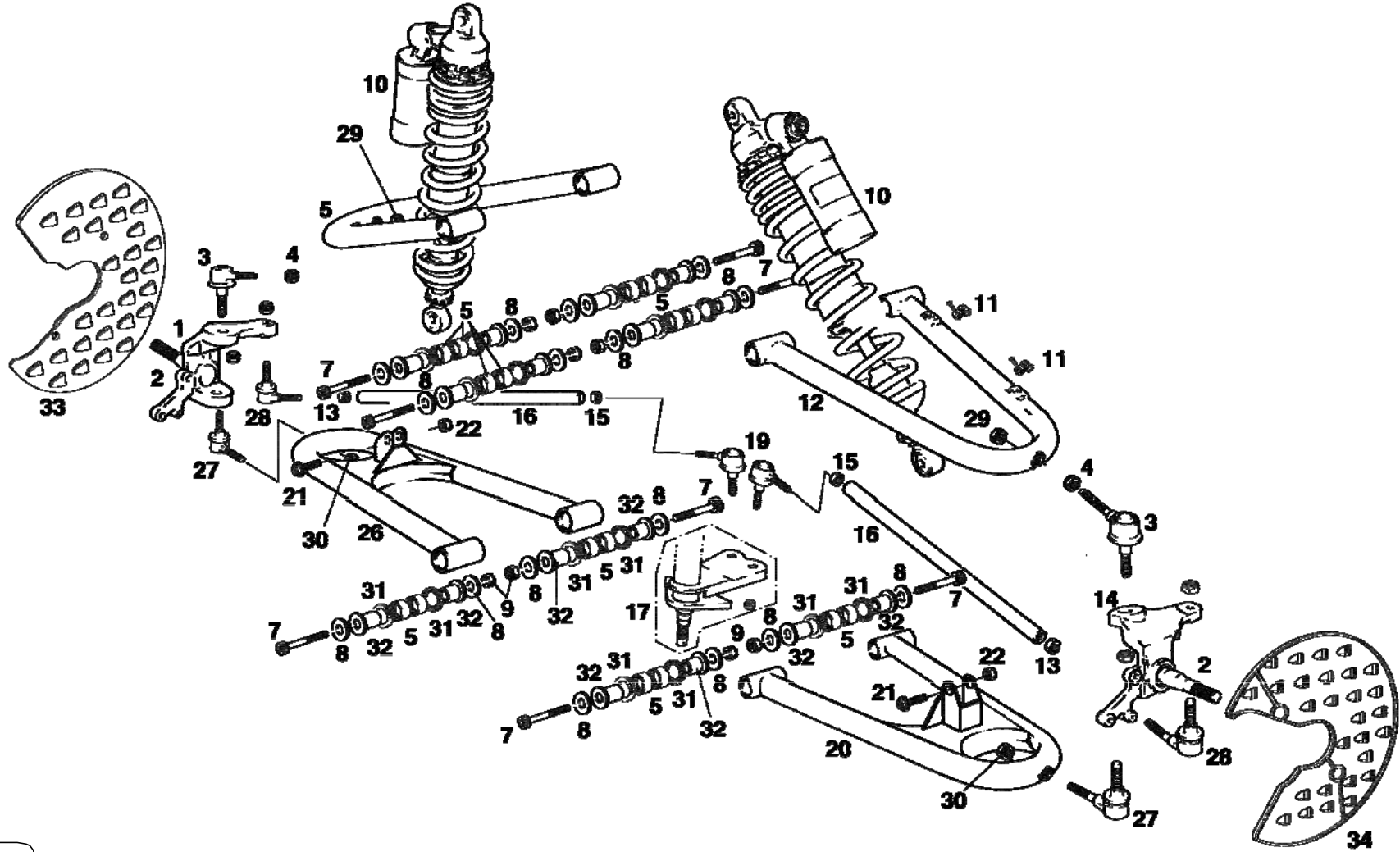
Nº	DESCRIPCION / DESCRIPTION	WILD HP 450 2007	Cant.
1	TORNILLO LAURVIT M-8X30 / M8X30 LAURVIT SCREW	T0208030	1
2	ARANDELA 8X20X1,5 / 8X20X1,5 WASHER	T4008020	2
3	GRAPA M8 / M8 NUT	BT280010041	1
5	ABRAZADERA 47-51 / 47-51 CLAMP		1
6	TORNILLO M8X55 / M8X55 SCREW	T0208055	1
7	ARANDELA CÓNCAVA / CONCAVE WASHER	BQ450726010	2
8	SEPARADOR CORTO / SHORT SPACER	BQ45072609	1
10	ESCAPE SILENCIOSO / END EXHAUST	BQ450726002	1
11	SILENTBLOCK / SILENTBLOCK	BQ450726006	1
12	CASQUILLO / BUSHING	BQ450726005	1
13	JUNTA EC4T / EC4T GASKET	MFS400144012	1
14	ALLEN 8X20 / 8X20 ALLEN	T0308020	2
15	CONJUNTO INTERMEDIO COLECTOR	BQ450726001	1
16	MUELLE UNIÓN ESCAPE	BQ450726260	1

GAS GAS

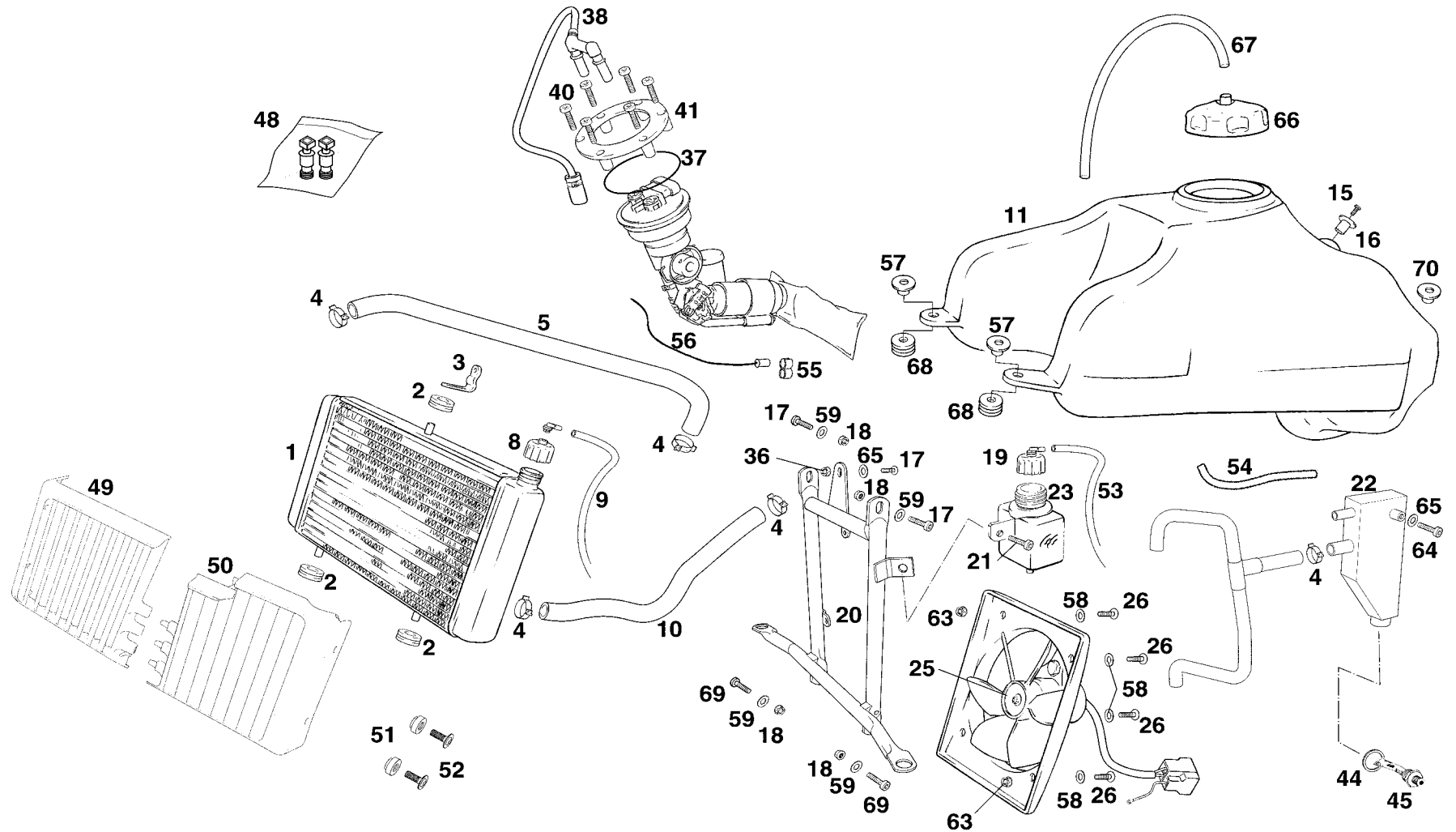
Chasis 8



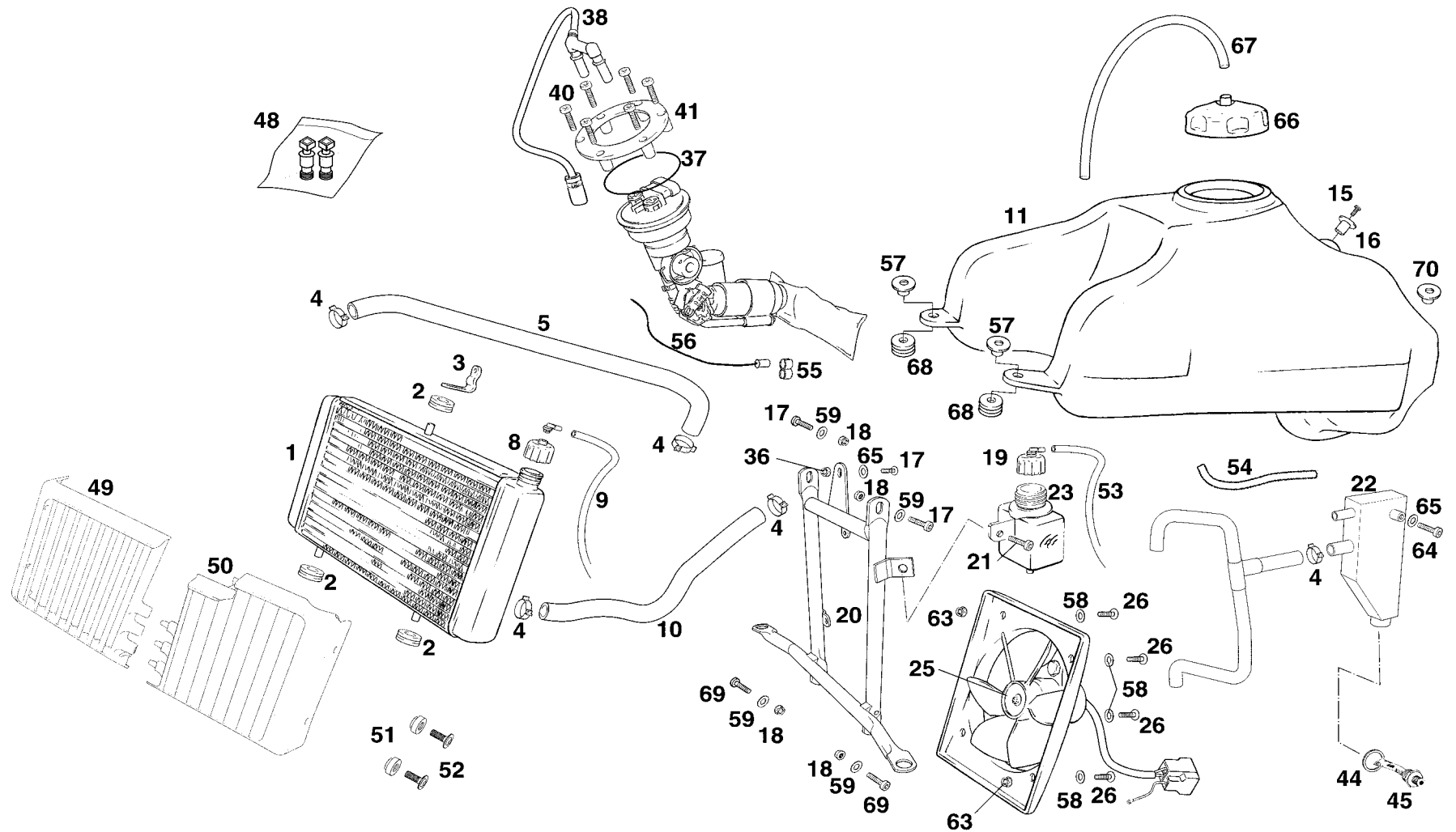
Nº	DESCRIPCION / DESCRIPTION	WILD HP 450 2007	Cant.
1	ADHESIVO 450CC DERECHA / RIGHT 450CC STICKER	BQ450738005	1
2	ADHESIVO TAPA LATERAL DERECHA / RIGHT LATERAL COVER STICKER	BQ450738003	1
3	ADHESIVO LATERAL DERECHO FARO / HEADLAMP RIGHT LATERAL STICKER	BQ450738002	1
4	ADHESIVO 450CC IZQUIERDA / LEFT 450CC STICKER	BQ450738006	1
5	ADHESIVO TAPA LATERAL IZQUIERDA / LEFT LATERAL COVER STICKER	BQ450738004	1
6	ADHESIVO IZQUIERDO FARO / HEADLAMP LATERAL STICKER	BQ450738007	1



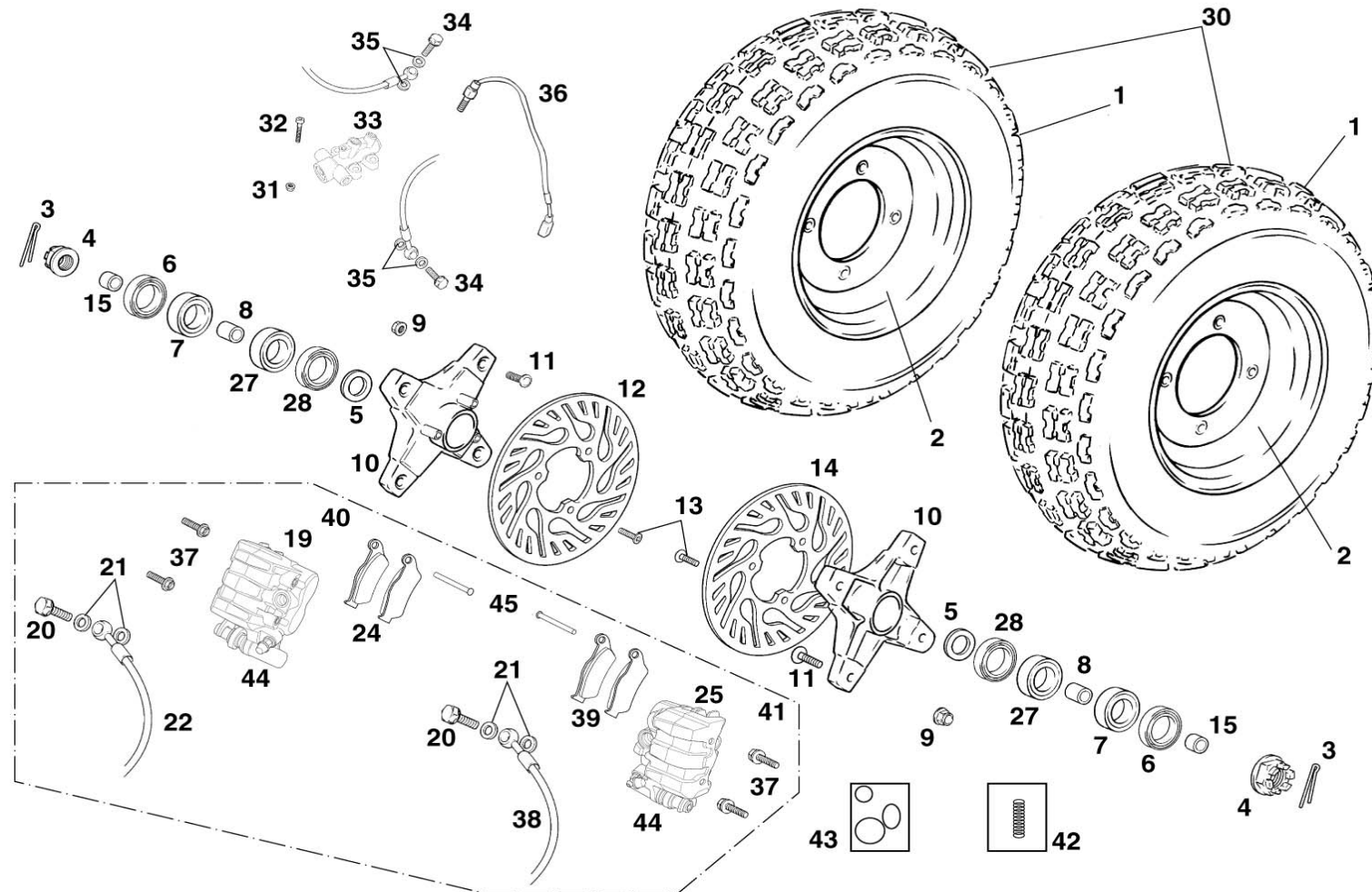
Nº	DESCRIPCION / DESCRIPTION	WILD HP 450 2007	Cant.
1	MANGUETA DERECHA DIRECCION / RIGHT STEERING UPRIGHT	BQ450714061	1
2	EJE MANGUETA RUEDA DELANTERA / AXIS STEERING UPRIGHT	BQ300214063	2
3	ROTULA SUSPENSION / SUSPENSION BALL-AND-SOCKET JOINT	BQ450714060	2
4	TUERCA / NUT	T2116001	2
5	COJINETE AGUJAS 15BM2116 / 15BM2116 NEEDLES BEARING	BT27714009	16
6	TRAPECIO SUSPENSION SUPERIOR DERECHO / RIGHT UPPER LEFT TRAPEZIUM	BQ450714400	1
7	ALLEN 10X70 ZINCAT 12.9 / 10X70 ALLEN BOLT	T0301070	8
8	ARANDELA REGLAJE 10.5X26X0.5 / REGULATE 10.5X26X0.5 WASHER	T4001026	16
9	TUERCA AUTOBLOCANTE M8 BAJA (DIN 985) / M8 LOW SELF-LOCKING NUT	T2108001	8
10	AMORTIGUADOR DELANTERO GG 4710 / GG 4710 FRONT SHOCK ABSORBER	BQ450714000	2
11	ABRAZADERA INOXIDABLE FIJACIÓN LATIGUILLO 8X15 / RUSTLESS CLAMP	BQ300214157	4
12	TRAPECIO SUSPENSION SUPERIOR IZQUIERDO / LEFT UPPER LEFT TRAPEZIUM	BQ450714401	1
13	TUERCA REBAJADA DERECHA / RIGHT LOWERED NUT	T2112001	2
14	MANGUETA IZQUIERDA DIRECCION / LEFT STEERING UPRIGHT	BQ450714062	1
15	TUERCA REBAJADA IZQUIERDA / LEFT LOWERED NUT	T2112002	2
16	BARRA DIRECCION / STEERING BAR	BQ300514700	2
17	CAÑA DIRECCION / STEERING	BQ450714003	1
19	ROTULA DIRECCION IZQUIERDA / LEFT STEERING BALL-AND-SOCKET JOIN	BQ300210141	2
20	TRAPECIO SUSPENSION INFERIOR IZQUIERDO / INFERIOR LEFT TRAPEZIUM	BQ450714403	1
21	TORNILLO ESPECIAL M10X40X1.25 / M10X40X1.25 SPECIAL SCREW	T0110042	2
22	TUERCA AUTOBLOCANTE M10X100 DIN 985 / M10X100 SELF-LOCKING NUT	ME25616031	2
26	TRAPECIO SUSPENSION INFERIOR DERECHO / INFERIOR RIGHT TRAPEZIUM	BQ450714402	1
27	ROTULA SUSPENSION M16X150 FOSFATADA / SUSPENSION BALL-AND-SOCKET JOIN	BQ450714059	2
28	ROTULA DIRECCION DERECHA / RIGHT STEERING BALL-AND-SOCKET JOIN	BQ300210140	2
29	TUERCA M12X150 AUTOBLOCANTE REBAJADA / LOWERED M12X150 NUT	T2112001	2
30	TUERCA M16X150 AUTOBLOCANTE REBAJADA / LOWERED M16X150 NUT	T2116001	2
31	RETEN 15-21-3-8170N BASCULANTE / SWINGARM SEAL	C230000	16
32	CASQUILLO BALANCIN / ROCKER ARM BUSHING	BT27914014	16
33	PROTECTOR DISCO DELANTERO DERECHO / RIGHT FRONT DISC PROTECTOR	BQ300320045	1
34	PROTECTOR DISCO DELANTERO IZQUIERDO / LEFT FRONT DISC PROTECTOR	BQ300320050	1



Nº	DESCRIPCION / DESCRIPTION	WILD HP 450 2007	Cant.
1	RADIADOR / RADIATOR	BQ450732000	1
2	GOMAS RADIADOR A CHASIS / RADIATOR RUBBER	G220000	3
3	TIRANTE SOPORTE LATERAL RADIADOR / LATERAL RADIATOR SUPPORT BRACE	BQ300232055	1
4	ABRAZADERA / CLAMP	L200044	4
5	TUBO RADIADOR A CULATA / RADIATOR TO CYL. HEAD HOSE	BQ450732002	1
8	TAPON RADIADOR / RADIATOR CAP	BT280232032	1
9	TUBO RADIADOR A VASO EXPANSION / RADIATOR TO EXPANSION TANK HOSE	BQ300232008	1
10	TUBO RADIADOR A BOMBA AGUA / RADIATOR TO WATER PUMP HOSE	BQ450732003	1
11	DEPOSITO GASOLINA / FUEL TANK	BQ450710024	1
15	TORNILLO ULS M6X25 / M6X25 ULS SCREW	T0306025	1
16	CASQUILLO DEPOSITO / TANK BUSHING	BE250026000	1
17	ALLEN 6X25 / 6X25 ALLEN BOLT	T0306025	4
18	TUERCA AUTOBLOCANTE M6 / M6 SELF-LOCKING NUT	T2206002	4
19	TAPON DEPOSITO VASO EXPANSION / EXPANSION TANK CAP	BFS450332035	1
20	SOPORTE RADIADOR / RADIATOR SUPPORT	BQ450732015	1
21	ULS 6X14 CON ARANDELA / 6X14 ULS WITH WASHER	T0556014	2
22	DEPÓSITO RECUPERADOR GASES ACEITE / OIL GAS RECUPERATOR TANK	BQ450732217	1
23	DEPOSITO VASO EXPANSION / EXPANSION TANK	BFS450332005	1
25	VENTILADOR / FAN	BQ450732340	1
26	ULS M5X20 NEGRO / BLACK M5X20 ULS	T0505020	3
27	PROTECTOR VENTILADOR / FAN COVER	BQ300232035	1
36	TUERCA AUTOBLOCANTE M6 BAJA / M6 SELF-LOCKING NUT	T2106001	2
37	TORICA BOMBA INYECCION / INJECTION PUMP O'RING	MFS400180105	1
38	CONJUNTO TUBO COMBUSTIBLE INYECCIÓN / FUEL INJECTION HOSE SET	MQ450480115	1
40	ALLEN 5X25 / 5X25 ALLEN BOLT	T0305025	6
41	TAPA BOMBA INYECCION / INJECTION PUMP COVER	MFS400180106	1
42	BOMBA GASOLINA / FUEL PUMP	MFS400180100	1
44	ARANDELA AL.18.2x24x1.5 RACORD DEPOSITO ACEITE / OIL TANK WASHER	BFS400132213	1
45	RACORD CON FILTRO DEPOSITO ACEITE / OIL TANK RACORD WITH FILTER	BFS450632209CT	1
48	CONECTOR JOHN GUEST SL2-970-G/SL2-970-E / JOHN GUEST CONECTOR	MFS400180116	1
49	REJILLA RADIADOR DERECHO QUAD / QUAD RIGHT RADIATOR RACK	BQ450320001	1
50	REJILLA RADIADOR IZQUIERDO QUAD / QUAD LEFT RADIATOR RACK	BQ450320002	1
51	CASQUILLO / BUSHING	BE250014118	4
52	ULS 6X16 CON ARANDELA / 6X16 ULS WITH WASHER	T0556016	4



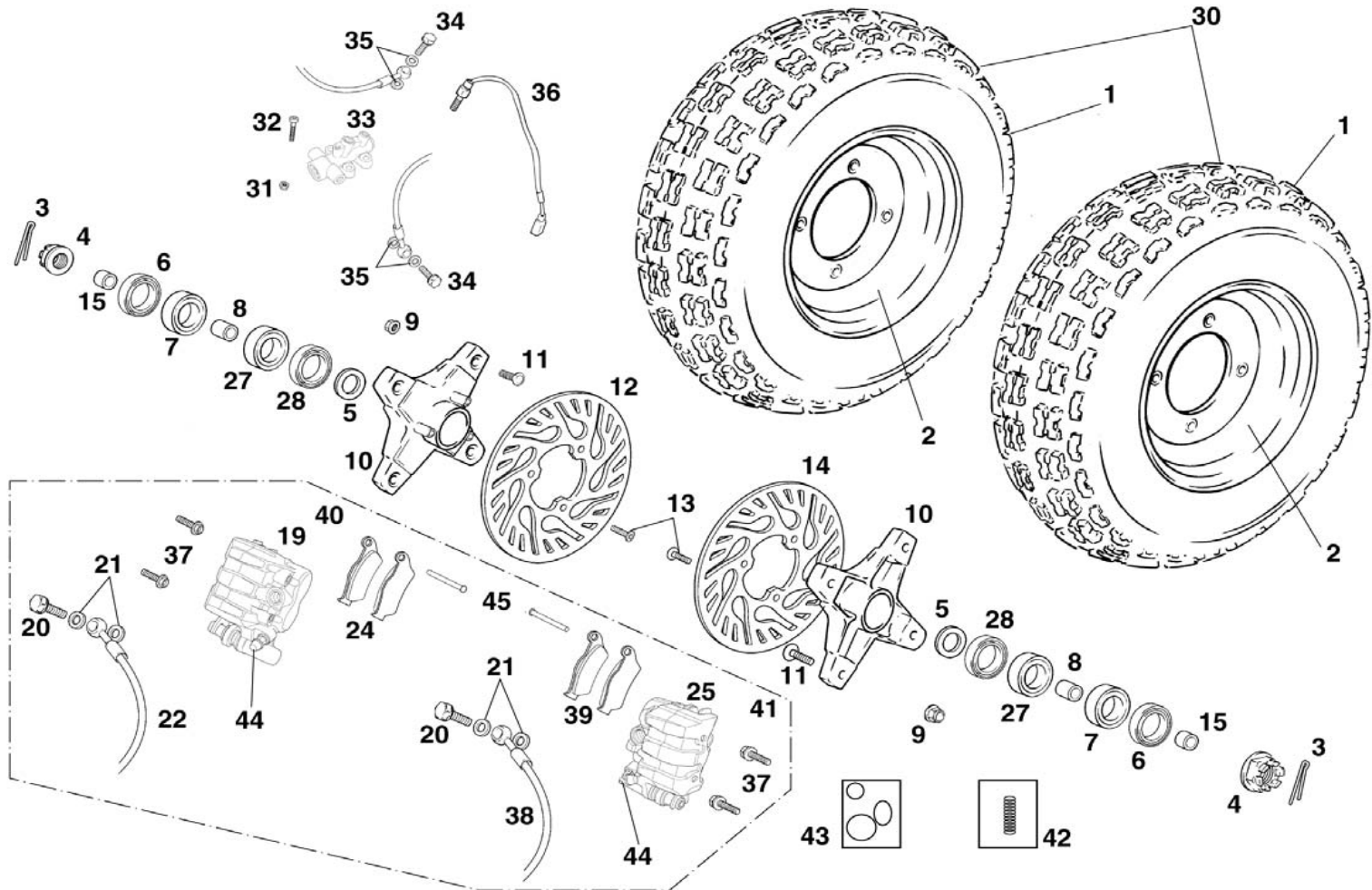
Nº	DESCRIPCION / DESCRIPTION	WILD HP 450 2007	Cant.
53	TUBO VASO EXPANSIÓN SALIDA QUAD / QUAD EXIT EXPANSION TANK HOSE	BQ450432021	1
54	TUBO DESVAPORIZADOR / HOSE TUBE	MQ450716113	1
55	CLIP FIJACIÓN SENSOR BOMBA INYECCIÓN / INJECTION PUMP SENSOR FIXATION CLIP	MFS450380112	1
56	SENSOR GASOLINA QUAD / QUAD FUEL SENSOR	MFS450380113	1
57	CASQUILLO / BUSHING	BQ450710007	2
58	ARANDELA 5X12X1,5 / 5X12X1,5 WASHER	T4005012	4
59	ARANDELA 6,5X16X1,5 / 6,5X16X1,5 WASHER	T4006016	4
63	TUERCA AUTOBLOCANTE M5 / M5 SELFLOCKING NUT	T2105000	4
64	ALLEN M6X20 / M6X20 ALLEN	T0306020	1
65	ARANDELA 6X18X1,5 / 6X18X1,5 WASHER	T4006018	3
66	TAPÓN DEPÓSITO / TANK CAP	BE250520010	1
67	TUBO DESVAPORIZADOR / HOSE TUBE	BQ300232008	2
68	GOMA DEPÓSITO	G200000	2
69	ALLEN M6X16	T0306016	2
70	CASQUILLO	BQ450710017	1



Nº	DESCRIPCION / DESCRIPTION	WILD HP 450 2007	Cant.
1	NEUMATICO DELANTERO 217/10 ITP210 / FRONT TIRE	BQ300218002	2
2	LLANTA DELANTERA ALUMINIO 190 10X5 / FRONT RIM	BQ450718000	2
3	CLAVILLA ZINC / PIN	BE25622022	2
4	TUERCA CUBO DELANTERO / FRONT WHEEL	BQ300218047	2
5	CASQUILLO INTERIOR CUBO DELANTERO / INNER FRONT HUB BUSHING	BQ300218051	2
6	RETEN 20X35X7 / 20X35X7 SEAL	BQ300218202	2
7	COJINETE 6202 2RSR / 6202 2RSR BEARING	C160000	2
8	CASQUILLO INTERMEDIO CUBO DELANTERO / MIDDLE FRONT HUB BUSHING	BQ300218055	2
9	TUERCA M10X1,25 AUTOBLOCANTE CON ARANDELA / M10X1,25 SELF-LOCKING NUT	T21010003	8
10	CUBO RUEDA DELANTERA / FRONT WHEEL HUB	BQ300218007	2
11	TORNILLO RUEDA / WHEEL SCREW	BQ450718050	8
12	DISCO FRENO DELANTERO IZQUIERDO / LEFT FRONT BRAKE DISC	BQ300222011	1
13	TORNILLO ESPECIAL M8X24 ROSCA 18 / M8X24 SPECIAL SCREW	T0310818/2	6
14	DISCO FRENO DELANTERO DERECHO / RIGHT FRONT BRAKE DISC	BQ300222011D	1
15	CASQUILLO EXTERIOR CUBO DELANTERO / EXTERIOR FRONT WHEEL HUB BUSHING	BQ300218056	2
19	PINZA FRENO DELANTERO RUEDA DERECHA / RIGHT FRONT BRAKE CALIPER	BQ450722001	1
20	RACORD SUJECIÓN LATIGUILLO / HOSE SUPPORT RACORD	BQ450722222	2
21	ARANDELA LATIGUILLO / HOSE WASHER	BQ450722223	4
22	LATIGUILLO FRENO DELANTERO DERECHO VÁLVULA	BQ450722002/2	1
24	PASTILLAS DE FRENO DELANTERO IZQUIERDA / LEFT FRONT BRAKE PAD	BQ450722065	2
25	PINZA FRENO DELANTERO RUEDA IZQUIERDA / LEFT FRONT BRAKE CALIPER	BQ450722000	1
27	COJINETE 6004 2RSR / 6004 2RSR BEARING	C160001	2
28	RETEN 28X42X7 / 28X42X7 SEAL	BQ300218200	2
30	RUEDA DELANTERA / FRONT WHEEL	BQ450518000	2
31	TUERCA AUTOBLOCANTE / SELF-LOCKING NUT	T2106001	4
32	ALLEN 6X25 / 6X25 ALLEN SCREW	T0306025	4
33	VÁLVULA DISTRIBUCIÓN FRENADO	BQ450722207	1
34	RACORD SUJECIÓN LATIGUILLO / HOSE SUPPORT RACORD	BQ450722222	2
35	ARANDELA LATIGUILLO / HOSE WASHER	BQ450722223	4
36	SENSOR LUZ DE FRENO / BRAKE LIGHT SENSOR	BQ450734003	1
37	TORNILLO LAURVIT 8X25 / 8X25 LAURVIT SCREW	T0208025	4
38	LATIGUILLO FRENO DELANTERO IZQUIERDO VÁLVULA	BQ450722002/1	1

GAS GAS

Chasis 12

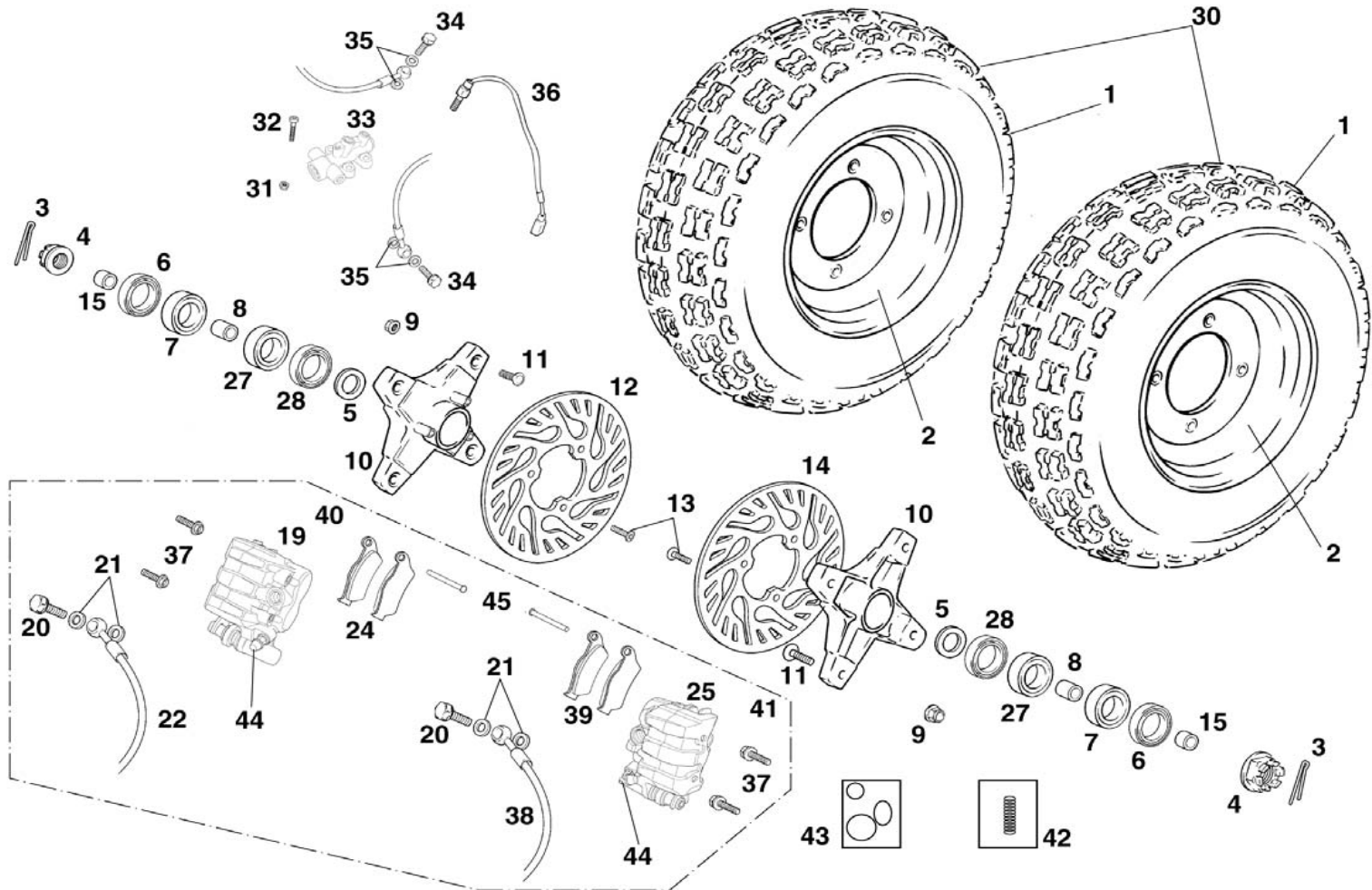


Nº	DESCRIPCION / DESCRIPTION	WILD HP 450 2007	Cant.
39	KIT PASTILLAS PINZA IZQUIERDO	BQ450722066	1
40	KIT SOPORTE PINZA DERECHA	BQ450722111	1
41	KIT SOPORTE PINZA IZQUIERDA	BQ450722110	1
42	KIT MUELLE PASTILLAS	BQ450722070	1
43	KIT PISTÓN PINZA FRENO	BQ450722042	1
44	KIT SANGRADOR	BQ450722060	2
45	KIT EJE PASTILLAS	BQ450722041	1

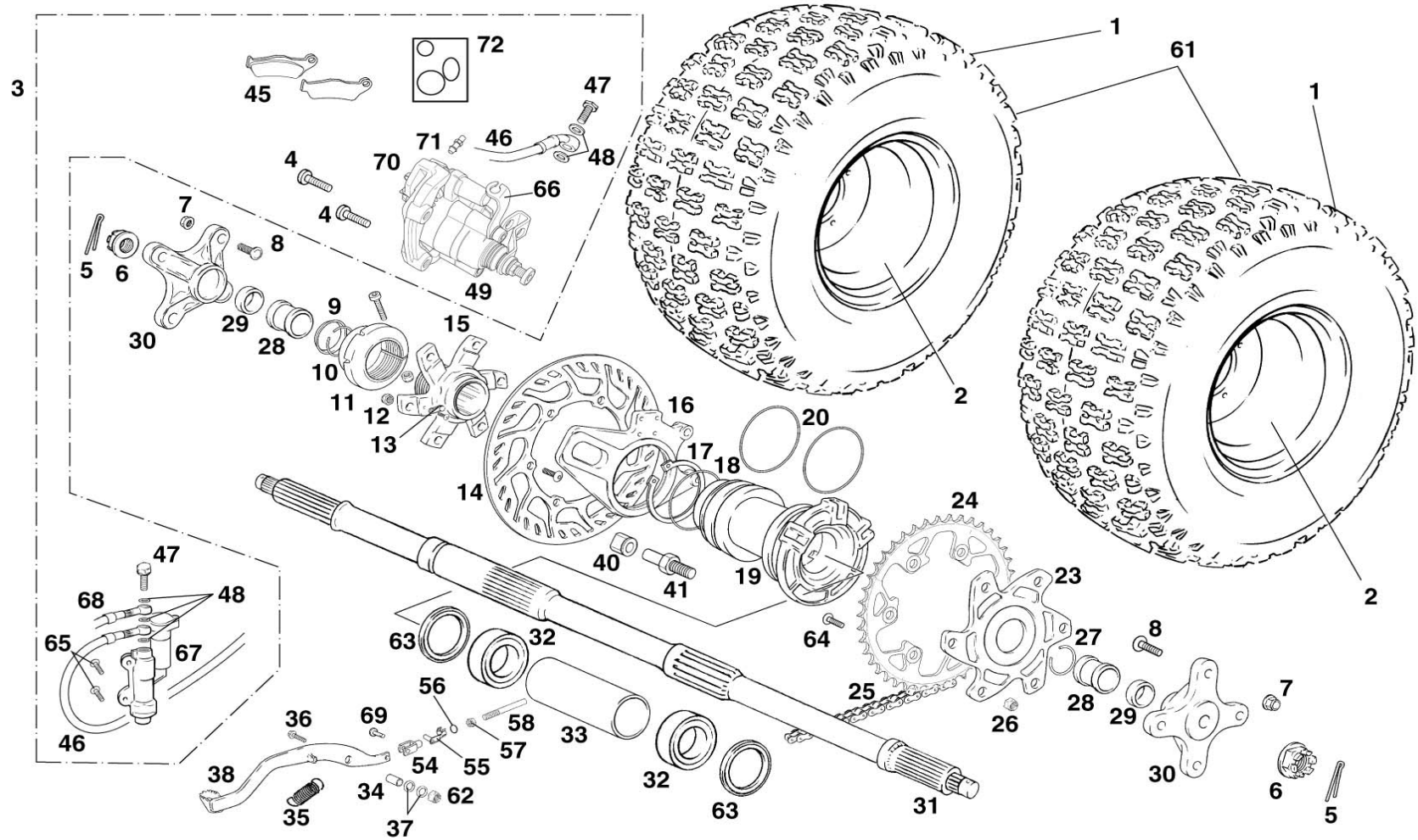
Rueda delantera /
Front wheel (BREMBO)

GAS GAS

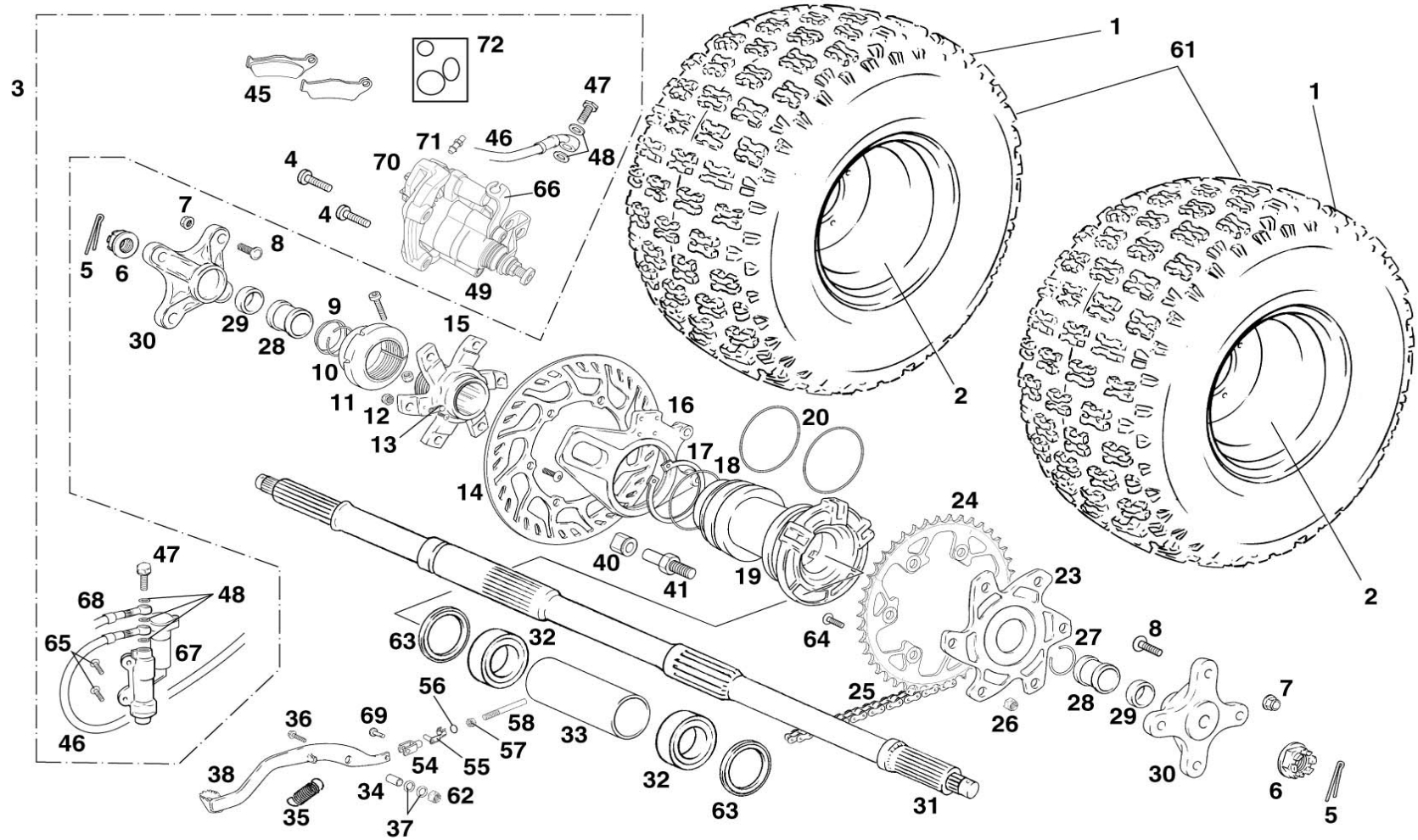
QUAD WILD 2007



Nº	DESCRIPCION / DESCRIPTION	WILD HP 450 2007	Cant.
1	NEUMATICO DELANTERO 21/7/10 ITP210 / FRONT TIRE	BQ300218002	2
2	LLANTA DELANTERA ALUMINIO 190 10X5 / FRONT RIM	BQ450718000	2
3	CLAVILLA ZINC / PIN	BE25622022	2
4	TUERCA CUBO DELANTERO / FRONT WHEEL	BQ300218047	2
5	CASQUILLO INTERIOR CUBO DELANTERO / INNER FRONT HUB BUSHING	BQ300218051	2
6	RETEN 20X35X7 / 20X35X7 SEAL	BQ300218202	2
7	COJINETE 6202 2RSR / 6202 2RSR BEARING	C160000	2
8	CASQUILLO INTERMEDIO CUBO DELANTERO / MIDDLE FRONT HUB BUSHING	BQ300218055	2
9	TUERCA M10X1,25 AUTOBLOCANTE CON ARANDELA / M10X1,25 SELF-LOCKING NUT	T21010003	8
10	CUBO RUEDA DELANTERA / FRONT WHEEL HUB	BQ300218007	2
11	TORNILLO RUEDA / WHEEL SCREW	BQ450718050	8
12	DISCO FRENO DELANTERO IZQUIERDO / LEFT FRONT BRAKE DISC	BQ300222011	1
13	TORNILLO ESPECIAL M8X24 ROSCA 18 / M8X24 SPECIAL SCREW	T0310818/2	6
14	DISCO FRENO DELANTERO DERECHO / RIGHT FRONT BRAKE DISC	BQ300222011D	1
15	CASQUILLO EXTERIOR CUBO DELANTERO / EXTERIOR FRONT WHEEL HUB BUSHING	BQ300218056	2
16	CTO. FRENO DELANTERO / FRONT BRAKE SET	BQ300222108	1
19	PINZA FRENO DELANTERO RUEDA DERECHA / RIGHT FRONT BRAKE CALIPER	BQ300222001	1
20	RACORD SUJECIÓN LATIGUILLO / HOSE SUPPORT RACORD	BC25722006	2
21	ARANDELA LATIGUILLO / HOSE WASHER	BE25622007	4
22	LATIGUILLO FRENO DELANTERO DERECHO VÁLVULA	BQ300222002	1
24	PASTILLAS DE FRENO DELANTERO IZQUIERDA / LEFT FRONT BRAKE PAD	BQ300222065	2
25	PINZA FRENO DELANTERO RUEDA IZQUIERDA / LEFT FRONT BRAKE CALIPER	BQ300222000	1
27	COJINETE 6004 2RSR / 6004 2RSR BEARING	C160001	2
28	RETEN 28X42X7 / 28X42X7 SEAL	BQ300218200	2
30	RUEDA DELANTERA / FRONT WHEEL	BQ450518000	2
34	RACORD SUJECIÓN LATIGUILLO / HOSE SUPPORT RACORD	BC25722006	2
35	ARANDELA LATIGUILLO / HOSE WASHER	BE25622007	4
36	SENSOR LUZ DE FRENO / BRAKE LIGHT SENSOR	BE250334003	1
37	TORNILLO LAURVIT 8X25 / 8X25 LAURVIT SCREW	T0208025	4



Nº	DESCRIPCION / DESCRIPTION	WILD HP 450 2007	Cant.
1	NEUMATICO TRASERO 20/11/9 / REAR TIRE	BQ300218005	2
2	LLANTA TRASERA ALUMINIO 9X8 / 9x8 ALUMINIUM REAR RIM	BQ450718100	2
3	CTO. FRENO TRASERO / REAR BRAKE SET	BQ300222118C	1
4	TORNILLO LAURVIT 8X25 / 8X25 LAURVIT BOLT	T0208025	2
5	CLAVILLA ZINC / PEG	BE25622022	2
6	TUERCA CUBO TRASERO / REAR WHEEL HUB NUT	BQ300218046	2
7	TUERCA RUEDA / WHEEL NUT	BQ300218023	8
8	TORNILLO RUEDA / WHEEL SCREW	BQ300218054	8
9	DISTANCIADOR TUERCA EJE TRASERO / REAR AXIS NUT SPACER	BQ300218021	1
10	ANILLO TUERCA EJE D.34X2.5 / NUT O'RING	BQ300218067	1
11	TUERCA EJE TRASERO / REAR AXIS NUT	BQ300218039	1
12	TUERCA AUTOBLOCANTE M8 BAJA (DIN 985) / M8 SELF-LOCKING NUT	T2108001	2
13	IMAN CTA.KMS / MAGNET SPEED COUNTER	BT280234012	1
14	DISCO FRENO TRASERO / REAR BRAKE DISC	BQ300222012	1
15	SOPORTE DISCO FRENO TRASERO / REAR BRAKE DISC SUPPORT	BQ300322054CT	1
16	SOPORTE PINZA FRENO TRASERO / REAR BRAKE DISC CALIPER SUPPORT	BQ450722120	1
17	SEEGER DIN471 E-70 EJE TRASERO / REAR AXIS SEEGER	BQ450718041	1
18	TORICA 70X2 SOPORTE FRENO TRASERO / REAR BRAKE SUPPORT 70X2 O'RING	BQ450722125	1
19	EXCENTRICA / ECCENTRIC	BQ450718022	1
20	TORICA OR 82X1.5NB EXCENTRICA // ECCENTRIC O'RING	BQ300218065	2
23	SOPORTE CORONA ARRASTRE / SPROCKET DISC CARRIER	BQ300318033CT	1
24	CORONA TRASERA Z39 / REAR SPROCKET	BQ300218124	1
25	CADENA COD. 520 ORM 94 LINKS RIVET / CHAIN	BQ300210036	1
26	TUERCA AUTOBLOCANTE M10 / M10 SELF-LOCKING NUT	T2110001	14
27	ANILLO CORONA D.34X4.5 / SPROCKET O'RING	BQ300218066	1
28	CASQUILLO GRANDE SEPARADOR CUBO TRASERO / BIG REAR WHEEL HUB BUSHING	BQ300218059	2
29	CASQUILLO PEQUEÑO SEPARADOR CUBO TRASERO / LITTLE REAR WHEEL HUB BUSHING	BQ300218058	2
30	CUBO RUEDA TRASERA / REAR WHEEL HUB	BQ300518027	2
31	EJE RUEDA TRASERA / REAR WHEEL AXIS	BQ300218020	1
32	RODAMIENTO 40X62X20 / 40X62X20 BEARING	BQ450718050	2
33	SEPARADOR COJINETE EJE TRASERO / REAR AXIS BEARING SPACER	BQ300218052	1
34	CASQUILLO SOPORTE PEDAL FRENO / BRAKE PEDAL SUPPORT BUSHING	BE250210916	1

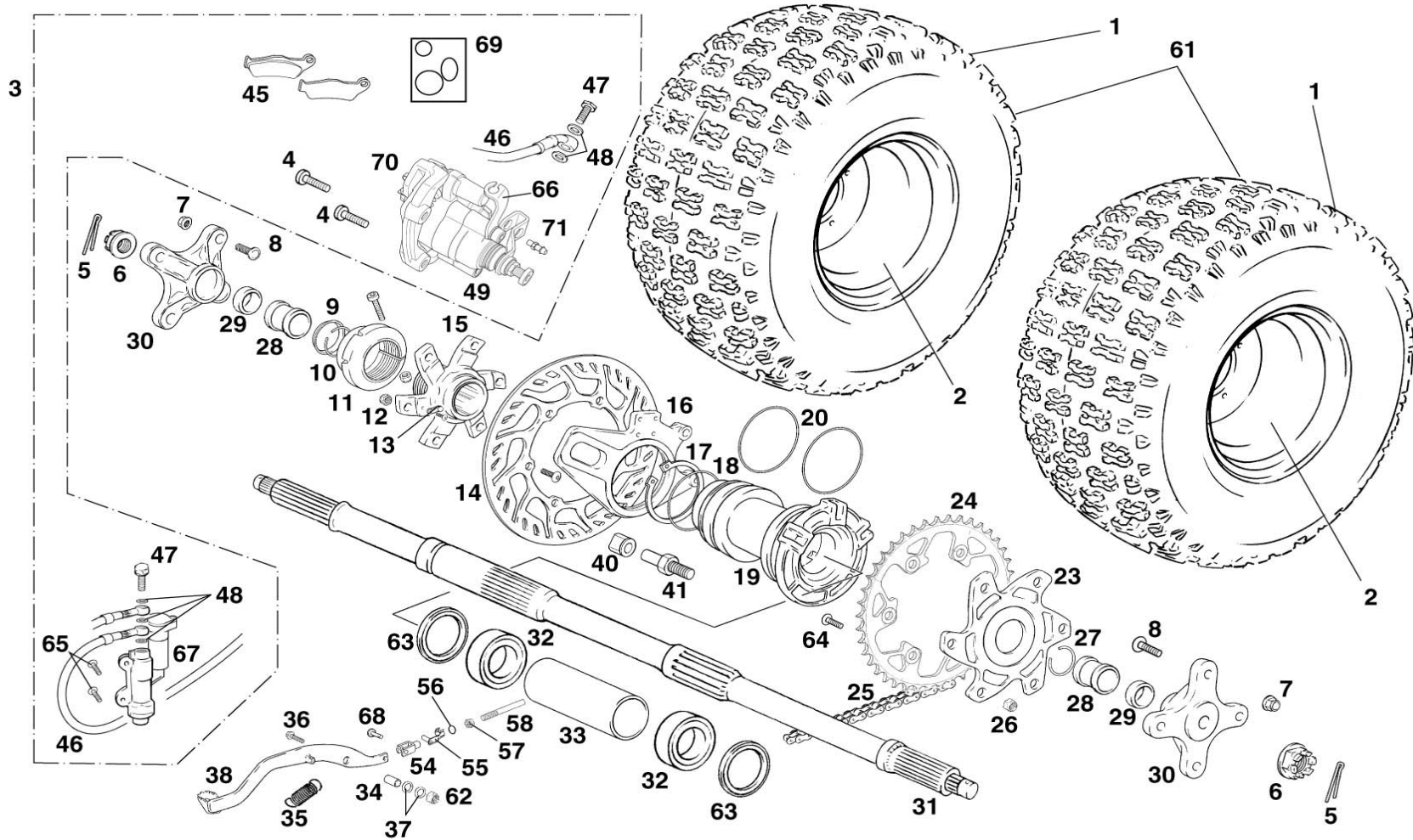


Nº	DESCRIPCION / DESCRIPTION	WILD HP 450 2007	Cant.
35	MUELLE RETORNO PEDAL FRENO / BRAKE PEDAL SPRING	BE25610023	1
36	TORNILLO LAURVIT M8X45 / M8X45 LAURVIT SCREW	T0208045	1
37	TORICA PEDAL FRENO / BRAKE PEDAL O'RING	ME250036063	2
38	PEDAL FRENO / BRAKE PEDAL	BQ450722016	1
40	CASQUILLO TOPE FRENO TRASERO / REAR BRAKE BUSHING	BQ300222081	1
41	TORNILLO TOPE FRENO TRASERO / REAR BRAKE SCREW	BQ300222082	1
45	PASTILLAS FRENO	BQ450722068	2
46	LATIGUILLO BOMBA A PINZA TRASERA	BQ450722004/2	1
47	RACORD SUJECCIÓN LATIGUILLO / HOSE SUPPORT RACORD	BQ450722222	2
48	ARANDELA LATIGUILLO / HOSE WASHER	BQ450722223	4
49	PINZA FRENO TRASERO / REAR BRAKE CALIPER	BQ450722100	2
54	HORQUILLA 6X12 DIN 71752 VARILLA FRENO / BRAKE ROD YOKE	BE25622014	1
55	PASADOR VARILLA FRENO / BRAKE ROD PIN	BE25622015	1
56	TORICA 8X1.5 PEDAL FRENO / O'RING	BE25622028	1
57	TUERCA AUTOBLOCANTE BAJA M6 / M6 SELF-LOCKING NUT	T2006001	1
58	VARILLA FRENO / BRAKE ROD	BQ450522062	1
61	RUEDA TRASERA / REAR WHEEL	BQ450518100	2
62	TUERCA AUTOBLOCANTE CON ARANDELA M8 / M8 SELF-LOCKING NUT	T2208002	1
63	RETEN 56X62X7 / 56X62X7 SEAL	BQ450718057	2
64	TORNILLO CÓNICO / CONIC BOLT	T0401025	6
65	TORNILLO ULS 6X16 / ULS SCREW 6X16	T0506016	2
66	SOPORTE CABLE FRENO ESTACIONAMIENTO / PARKING BRAKE SUPPORT CABLE	BQ450722134	1
67	BOMBA DE FRENO / BRAKE PUMP	BQ450722010	1
68	LATIGUILLO VÁLVULA - BOMBA FRENO	BQ450722004/1	1
69	PASADOR 8X20	BE25622026	1
70	KIT SOPORTE	BQ450722120	1
71	KIT SANGRADOR	BQ450722073	1
72	KIT PISTÓN Y JUNTAS PINZA FRENOS	BQ450722071	1

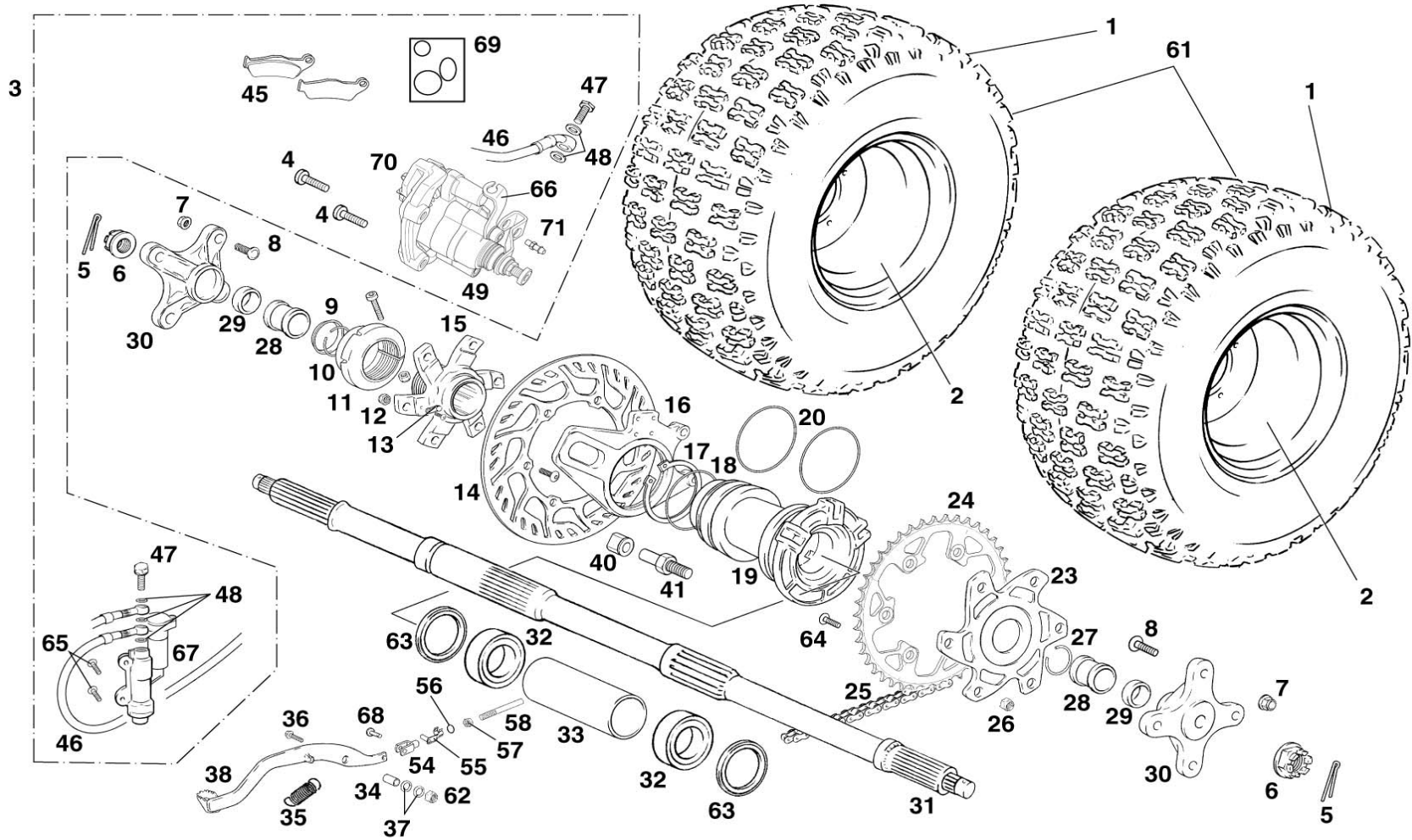
Rueda trasera /
Rear wheel (BREMBO)

GAS GAS

QUAD WILD 2007



Nº	DESCRIPCION / DESCRIPTION	WILD HP 450 2007	Cant.
1	NEUMATICO TRASERO 20/11/9 / REAR TIRE	BQ300518005	2
2	LLANTA TRASERA ALUMINIO 9X8 / 9x8 ALUMINIUM REAR RIM	BQ300518011	2
3	CTO. FRENO TRASERO / REAR BRAKE SET	BQ450722118	1
4	TORNILLO LAURVIT 8X25 / 8X25 LAURVIT BOLT	T0208025	2
5	CLAVILLA ZINC / PEG	BE25622022	2
6	TUERCA CUBO TRASERO / REAR WHEEL HUB NUT	BQ300218046	2
7	TUERCA RUEDA / WHEEL NUT	BQ300218023	8
8	TORNILLO RUEDA / WHEEL SCREW	BQ300218054	8
9	DISTANCIADOR TUERCA EJE TRASERO / REAR AXIS NUT SPACER	BQ300218021	1
10	ANILLO TUERCA EJE D.34X2.5 / NUT O'RING	BQ300218067	1
11	TUERCA EJE TRASERO / REAR AXIS NUT	BQ300218039	1
12	TUERCA AUTOBLOCANTE M8 BAJA (DIN 985) / M8 SELF-LOCKING NUT	T2108001	2
13	IMAN CTA.KMS / MAGNET SPEED COUNTER	BT280234012	1
14	DISCO FRENO TRASERO / REAR BRAKE DISC	BQ300222012	1
15	SOPORTE DISCO FRENO TRASERO / REAR BRAKE DISC SUPPORT	BQ300322054CT	1
16	SOPORTE PINZA FRENO TRASERO / REAR BRAKE DISC CALIPER SUPPORT	BQ450722120	1
17	SEEGER DIN471 E-70 EJE TRASERO / REAR AXIS SEEGER	BQ450718041	1
18	TORICA 70X2 SOPORTE FRENO TRASERO / REAR BRAKE SUPPORT 70X2 O'RING	BQ450722125	1
19	EXCÉNTRICA / ECCENTRIC	BQ421004508	1
20	TORICA OR 82X1.5NB EXCENTRICA // ECCENTRIC O'RING	BQ300218065	2
23	SOPORTE CORONA ARRASTRE / SPROCKET DISC CARRIER	BQ300318033CT	1
24	CORONA TRASERA Z39 / REAR SPROCKET	BQ300218124	1
25	CADENA COD. 520 ORM 94 LINKS RIVET / CHAIN	BQ300210036	1
26	TUERCA AUTOBLOCANTE M10 / M10 SELF-LOCKING NUT	T2110001	14
27	ANILLO CORONA D.34X4.5 / SPROCKET O'RING	BQ300218066	1
28	CASQUILLO GRANDE SEPARADOR CUBO TRASERO / BIG REAR WHEEL HUB BUSHING	BQ300218059	2
29	CASQUILLO PEQUEÑO SEPARADOR CUBO TRASERO / LITTLE REAR WHEEL HUB BUSHING	BQ300218058	2
30	CUBO RUEDA TRASERA / REAR WHEEL HUB	BQ300518027	2
31	EJE RUEDA TRASERA / REAR WHEEL AXIS	BQ300218020	1
32	RODAMIENTO 40X62X20 / 40X62X20 BEARING	BQ450718050	2
33	SEPARADOR COJINETE EJE TRASERO / REAR AXIS BEARING SPACER	BQ300218052	1
34	CASQUILLO SOPORTE PEDAL FRENO / BRAKE PEDAL SUPPORT BUSHING	BE250210916	1



Nº	DESCRIPCION / DESCRIPTION	WILD HP 450 2007	Cant.
35	MUELLE RETORNO PEDAL FRENO / BRAKE PEDAL SPRING	BE25610023	1
36	TORNILLO LAURVIT M8X45 / M8X45 LAURVIT SCREW	T0208045	1
37	TORICA PEDAL FRENO / BRAKE PEDAL O'RING	ME250036063	2
38	PEDAL FRENO / BRAKE PEDAL	BQ450722016	1
40	CASQUILLO TOPE FRENO TRASERO / REAR BRAKE BUSHING	BQ300222081	1
41	TORNILLO TOPE FRENO TRASERO / REAR BRAKE SCREW	BQ300222082	1
45	PASTILLAS FRENO BREMBO / BREMBO BRAKE PAD	BQ450722068	2
46	LATIGUILLO FRENO TRASERO / REAR BRAKE HOSE	BQ450722004	1
47	RACORD SUJECCIÓN LATIGUILLO / HOSE SUPPORT RACORD	BQ450722222	2
48	ARANDELA LATIGUILLO / HOSE WASHER	BQ450722223	4
49	PINZA FRENO TRASERO / REAR BRAKE CALIPER	BQ450722100	2
54	HORQUILLA 6X12 DIN 71752 VARILLA FRENO / BRAKE ROD YOKE	BE25622014	1
55	PASADOR VARILLA FRENO / BRAKE ROD PIN	BE25622015	1
56	TORICA 8X1.5 PEDAL FRENO / O'RING	BE25622028	1
57	TUERCA AUTOBLOCANTE BAJA M6 / M6 SELF-LOCKING NUT	T2006001	1
58	VARILLA FRENO / BRAKE ROD	BQ450522062	1
61	RUEDA TRASERA / REAR WHEEL	BQ450518100	2
62	TUERCA AUTOBLOCANTE CON ARANDELA M8 / M8 SELF-LOCKING NUT	T2208002	1
63	RETEN 56X62X7 / 56X62X7 SEAL	BQ450718057	2
64	TORNILLO CÓNICO / CONIC BOLT	T0401025	6
65	TORNILLO ULS 6X16 / ULS SCREW 6X16	T0506016	2
66	SOPORTE CABLE FRENO ESTACIONAMIENTO / PARKING BRAKE SUPPORT CABLE	BQ450722134	1
67	BOMBA DE FRENO / BRAKE PUMP	BQ450722010	1
68	PASADOR 8X20	BE25622026	1
69	KIT PISTÓN Y JUNTAS PINZA FRENOS TRASERO	BQ450722071	1
70	KIT SOPORTE PINZA FRENO	BQ450722121	1
71	KIT SANGRADOR	BQ450722060	1