

**DESPIECE
PART LIST**

TXT PRO

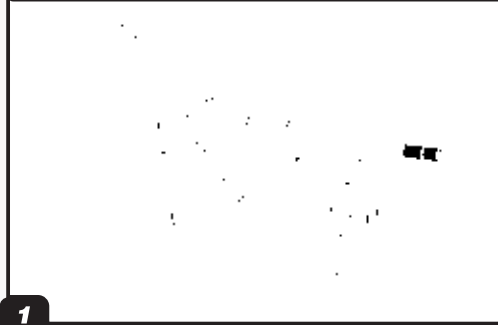
**125
200
250
280
300**

2007

FRASGAS

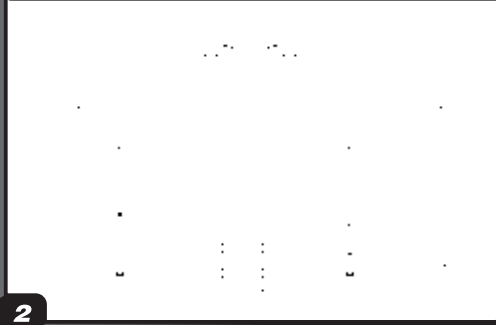
CHASIS

Manillar / Handlebar **GASGAS** **TXT PRO 06**



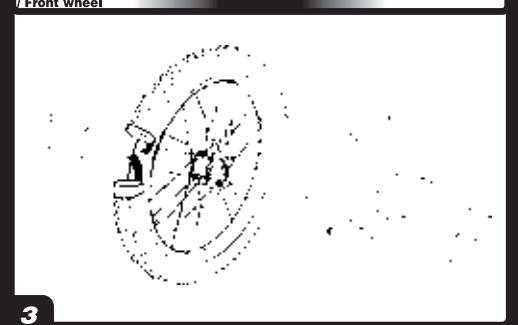
1

Suspension / Front fork **GASGAS** **TXT PRO 06**



2

Rueda delantera / Front wheel **GASGAS** **TXT PRO 06**



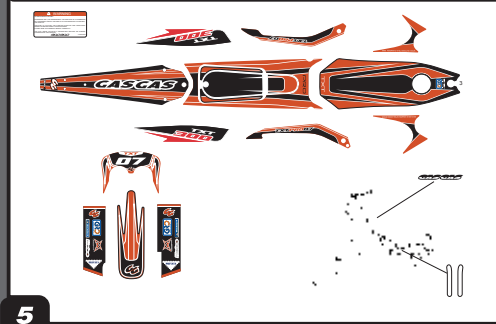
3

Plásticos / Plastics **GASGAS** **TXT PRO 06**



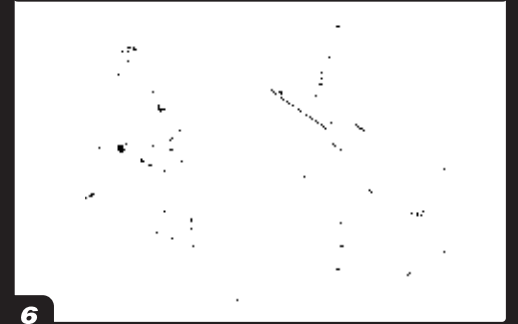
4

Adhesivos / Stickers **GASGAS** **TXT PRO 06**



5

Depósito / Fuel tank **GASGAS** **TXT PRO 06**

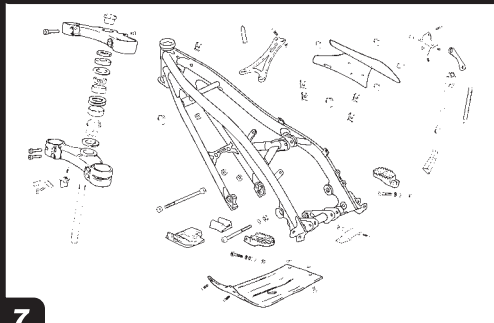


6

DESPIECE

FRAME

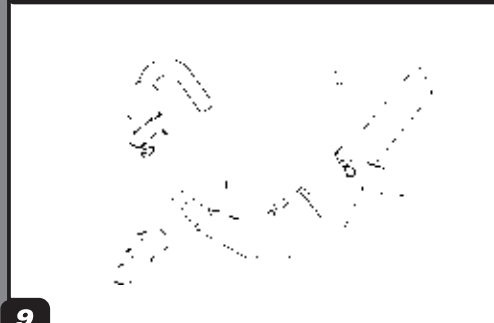
Chasis / Frame **CASCAS** **TXT PRO 0**



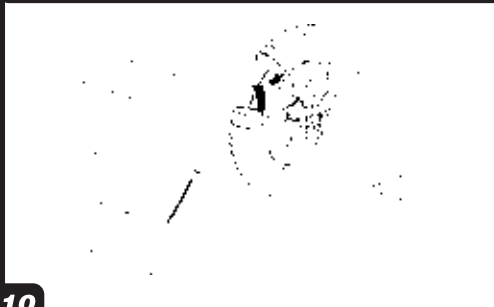
Basculante / Swingarm **CASCAS** **TXT PRO 06**



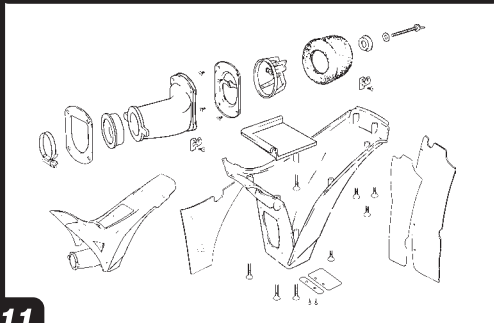
Escape / Exhaust **CASCAS** **TXT PRO 06**



Rueda trasera / Rear wheel **CASCAS** **TXT PRO 06**

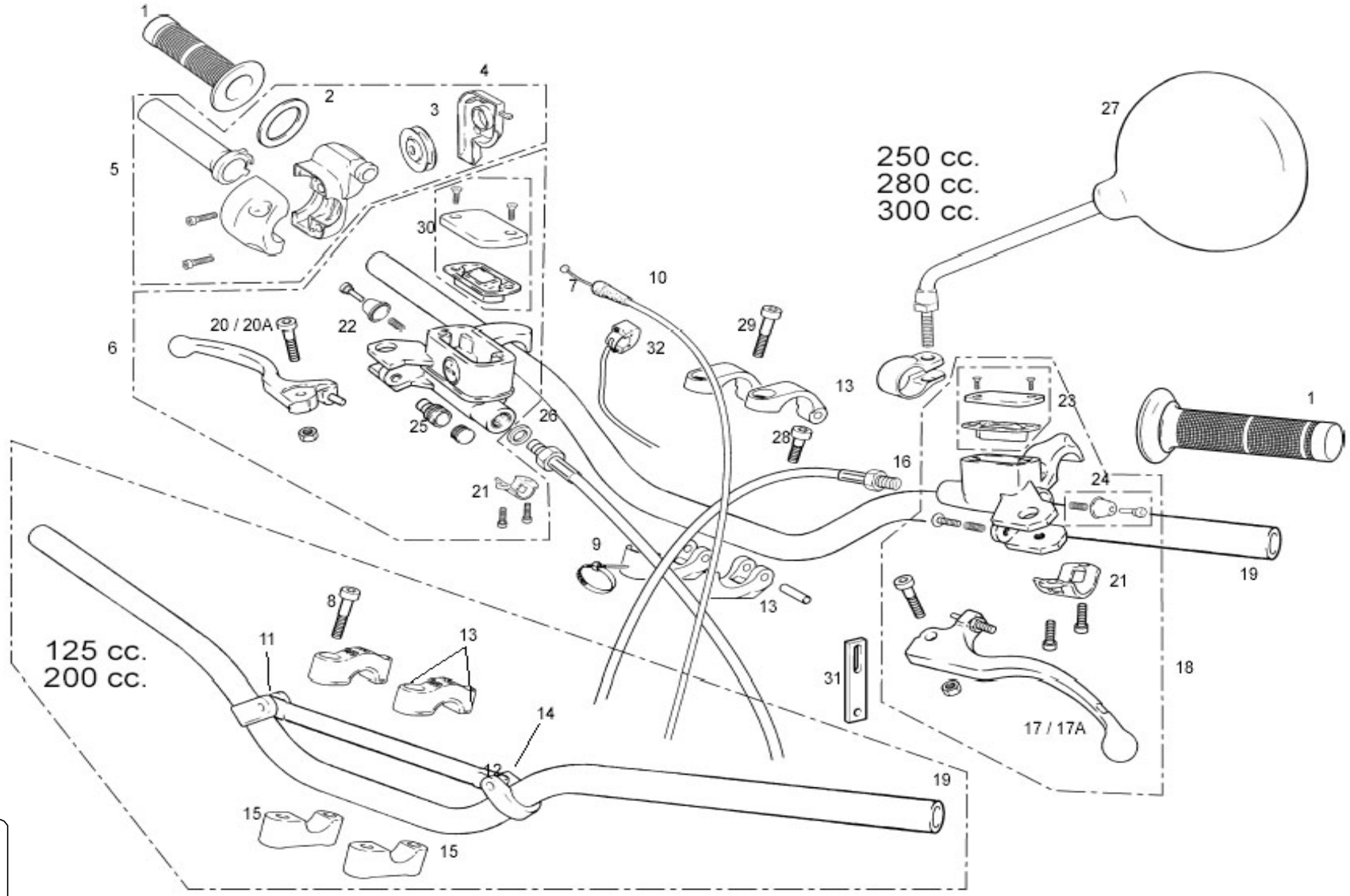


Caja filtro / Filter box **CASCAS** **TXT PRO 06**



Eléctrico / Electric **CASCAS** **TXT PRO 06**

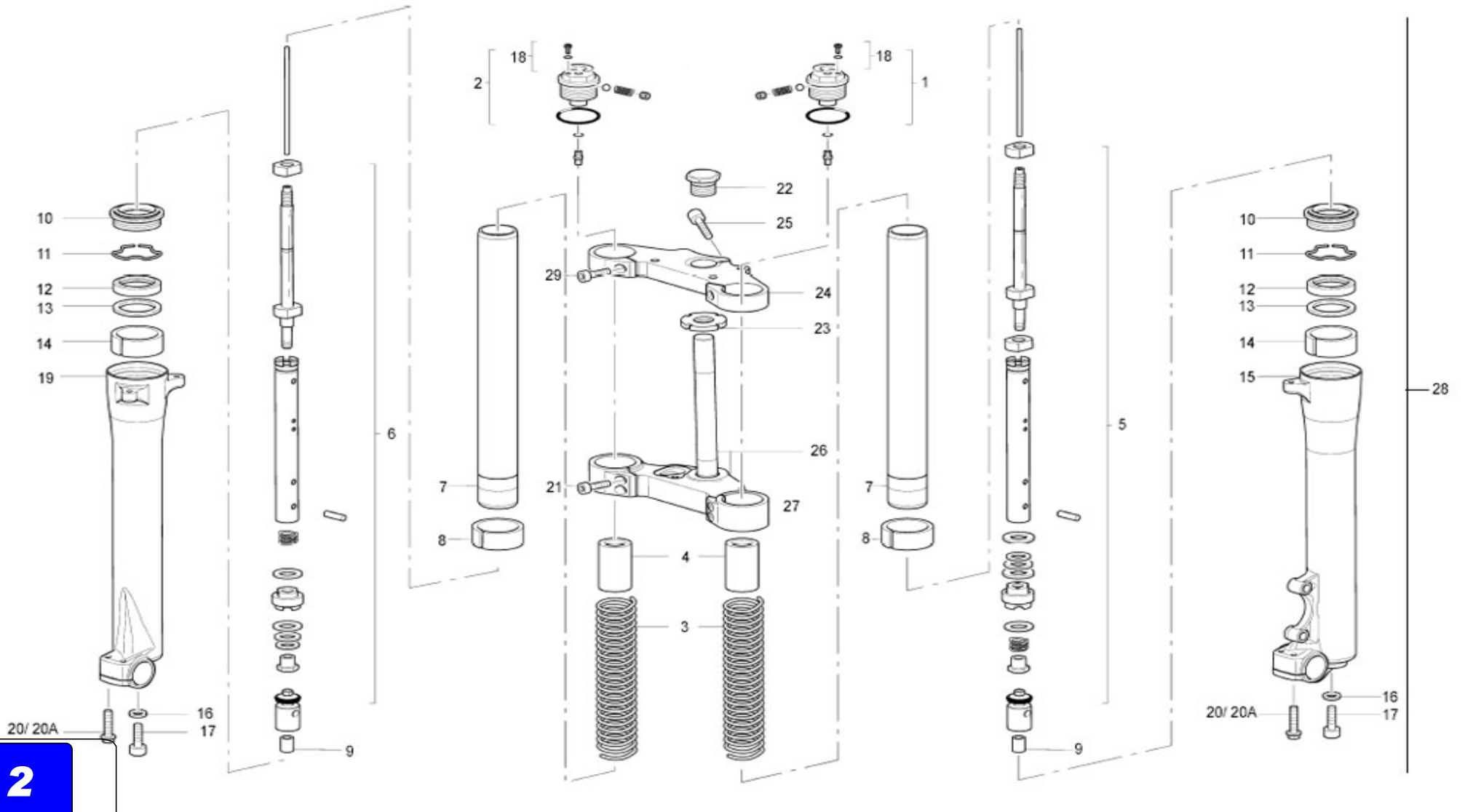




Nº	DESCRIPCION / DESCRIPTION	125/200	250/280/300	Cant.
1	JUEGO EMPUÑADURAS TRIAL / HANDLEBAR GRIP (PAIR)	-	BT280536002	1
2	ARANDELA MANDO GAS / TWIST GRIP WASHER	-	BT27922078	1
3	RODILLO MANDO GAS / TWIST GRIP ROLLER	-	E119000	1
4	TAPA MANDO GAS / TWIST GRIP COVER	-	E140000	1
5	PUÑO MANDO GAS / CPT. TWIST GRIP	-	E100001	1
6	BOMBA FRENO DELANTERO / FRONT BRAKE PUMP	-	BT280222008	1
7	CABLE DE GAS / THROTTLE CABLE	-	BT27924008	1
8	ALLEN 8X55 / 8X55 ALLEN SCREW	-	-	4
9	BRIDA UNEX 4.8X20 / UNEX 4.8X20 CLAMP	-	BE25634009	1
10	GUARDAPOLVO PUÑO GAS / THROTTLE CABLE DUST COVER	-	G600000	1
11	SOP. BARRA SUJECIÓN MANILLAR DER. / RIGHT CROSSBRACE HANDLEBAR SUPPORT	BT27924015	-	1
12	BARRA SUJECIÓN MANILLAR / CROSSBRACE HANDLEBAR	B650003	-	1
13	BRIDA MANILLAR / HANDLEBAR CLAMP	-	BT280414012C	1
14	SOP. BARRA SUJECIÓN MANILLAR IZQ. / LEFT CROSSBRACE HANDLEBAR SUPPORT	BT27924016	-	1
15	BRIDA INFERIOR MANILLAR / LOWER HANDLEBAR CLAMP	-	-	2
16	LATIGUILLO EMBRAGUE TRIAL / CLUTCH TUBE	-	BT280522003	1
17	MANETA EMBRAGUE / CLUTCH LEVER	-	BT280222040	1
17A	MANETA EMBRAGUE RACING / CLUTCH LEVER R	-	BT280222040R	1
18	BOMBA EMBRAGUE ACEITE / CLUTCH PUMP	-	BT280422009	1
19	MANILLAR / HANDLEBAR ASSY.	BT280324001RA	BT280724001	1
20	MANETA FRENO AJP 93 PLATA / BRAKE LEVER TRIAL	-	R390002PL	1
20A	MANETA FRENO TRIAL / BRAKE LEVER	-	BT27922045	1
21	SOPORTE BOMBA EMBRAGUE / CLUTCH PUMP SUPPORT	-	BE250022211	2
22	KIT BOMBA FRENO / BRAKE PUMP SET	-	BT27722208	1
23	KIT TAPA BOMBA / COVER PUMP SET	-	BT280422210	1
24	KIT BOMBA EMBRAGUE / CLUTCH PUMP SET	-	BT280422209	1
25	CASQUILLO PULSADOR FRENO DELANTERO / PUSH BUTTON BUSHING	-	BT27922079	1
26	ARANDELA COBRE 10X14X1 / 10X14X1 WASHER	-	BT280422007	1
27	ESPEJO RETROVISOR / REAR VIEW MIRROR	-	L300760	2
28	TORNILLO UFK 8X20 / 8X20 UFK SCREW	-	T0318020	2
29	TORNILLO UFK 8X50 / 8X50 UFK SCREW	-	T0318050	2
30	TAPA BOMBA FRENO / KIT COVER PUMP	-	BT27722210	1
31	GOMA SUJECIÓN CABLEADOS / WIRE SUBJET RUBBER	-	BFS450320067	1
32	INTERRUPTOR CDI / CDI SWITCH	-	BT280634007	1

GAS GAS

Chasis 1



Nº	DESCRIPCION / DESCRIPTION	125/200	250/280/300	Cant.
1	CTO. TAPÓN REGULACIÓN COMPRESIÓN / ADJUSTING COMPRESSION CAP	BT280314105	BT280414105	1
2	CTO. TAPÓN REGULACIÓN EXTENSIÓN / ADJUSTING RETURN CAP	BT280314106	BT280414106	1
3	MUELLE SUSPENSIÓN / FRONT FORK SPRING	BT280314108	BT280414108	2
4	TOPE PRECARGA AMORTIGUADOR / PRE-LOAD WASHER	BT280314148	BT280414148	2
5	REGULADOR HIDRÁULICO COMPR. / ADJUSTER TOP COMPRESSION	BT280414114	BT280414114	1
6	REGULADOR HIDRÁULICO EXT. / ADJUSTER TOP RETURN	BT280414115	BT280414115	1
7	BARRA SUSPENSIÓN / FRONT FORK INNER TUBE	BT280314110	BT280514110	2
8	GLACIER SUSPENSIÓN / GLACIER BUSHING	ST950212	BT280414111	2
9	CENTRAJE TUBO HIDRÁULICO / SPACER BUSH	BT280314219	BT280414219	2
10	GUARDAPOLVO / DUST SEAL	BT280314131	BT280414131	2
11	SEEGER SUSPENSIÓN TRIAL / TRIAL FRONT FORK SEEGER	BT280114211	BT280414182	2
12	RETÉN / SEAL	ST950220	BT280414212	2
13	ARANDELA SUPERIOR TRIAL / TRIAL UPPER WASHER	BT280114213	BT280414133	2
14	GLACIER BOTELLA SUSPENSIÓN / TUBE GLACIER BUSH	ST950213	BT280414134	2
15	BOTELLA IZQUIERDA SUSPENSIÓN TRIAL / LEFT OUTER TUBE	BT280314143	BT280414019	1
16	ARANDELA GOMA INTERIOR / FRONT FORK WASHER SEAL	BT280414145	BT280414145	2
17	ALLEN / ALLEN SCREW	BT280414249	BT280414249	2
18	TORNILLO Y JUNTA TÓRICA / O-RING AND BOLT	BE25714103	BE2S714103	2
19	BOTELLA DERECHA SUSPENSIÓN TRIAL / RIGHT OUTER TUBE	BT280314142	BT280414009	1
20	ALLEN ESPECIAL 6X25 UFK / SPECIAL ALLEN 6X25	T0316025	-	2
20A	TORNILLO ESPECIAL 6X15 / SPECIAL ALLEN 6X15	-	T0206025	4
21	ALLEN BRIDA INFERIOR / SPECIAL ALLEN	T0308030	T0306025	4
22	TAPÓN PLATINA SUPERIOR / TOP STEERING AXLE CAP	BT280210030	BT280410030	1
23	TUERCA DIRECCIÓN / NUT UNDER TOP CLAMP	BT280210029	BT280410029	1
24	PLATINA SUPERIOR / CLAMP TRIPLE TOP (YOKE)	ST950300	BT280414001	1
25	ULS 6X10 TOPE FRENO PRO. FIL. / SCREW BOLT ULS 6X10	T0506010	-	1
26	EJE DIRECCIÓN / STEERING AXLE	BT280214003	-	1
27	PLATINA INFERIOR / LOWER TRIPLE CLAMP (YOKE)	BT280214002	BT280414002	1
28	SUSPENSIÓN TRIAL / TRIAL SUSPENSION SET	BT120614000MZ	BT280714000MZ	1
29	ALLEN BRIDA SUPERIOR / SPECIAL ALLEN	T0308030	T0306020	2

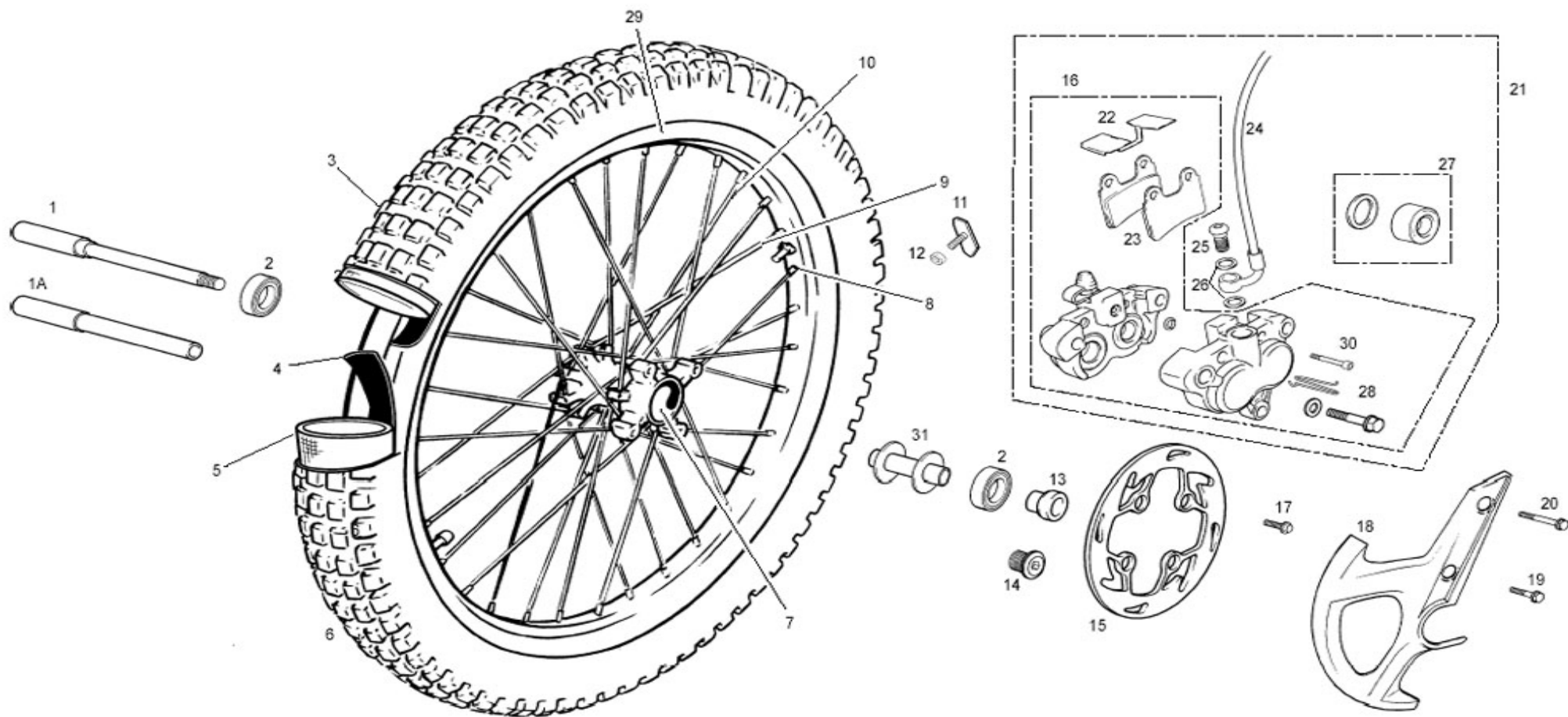
GAS GAS

Chasis 2

**Rueda delantera /
Front Wheel**

GAS GAS

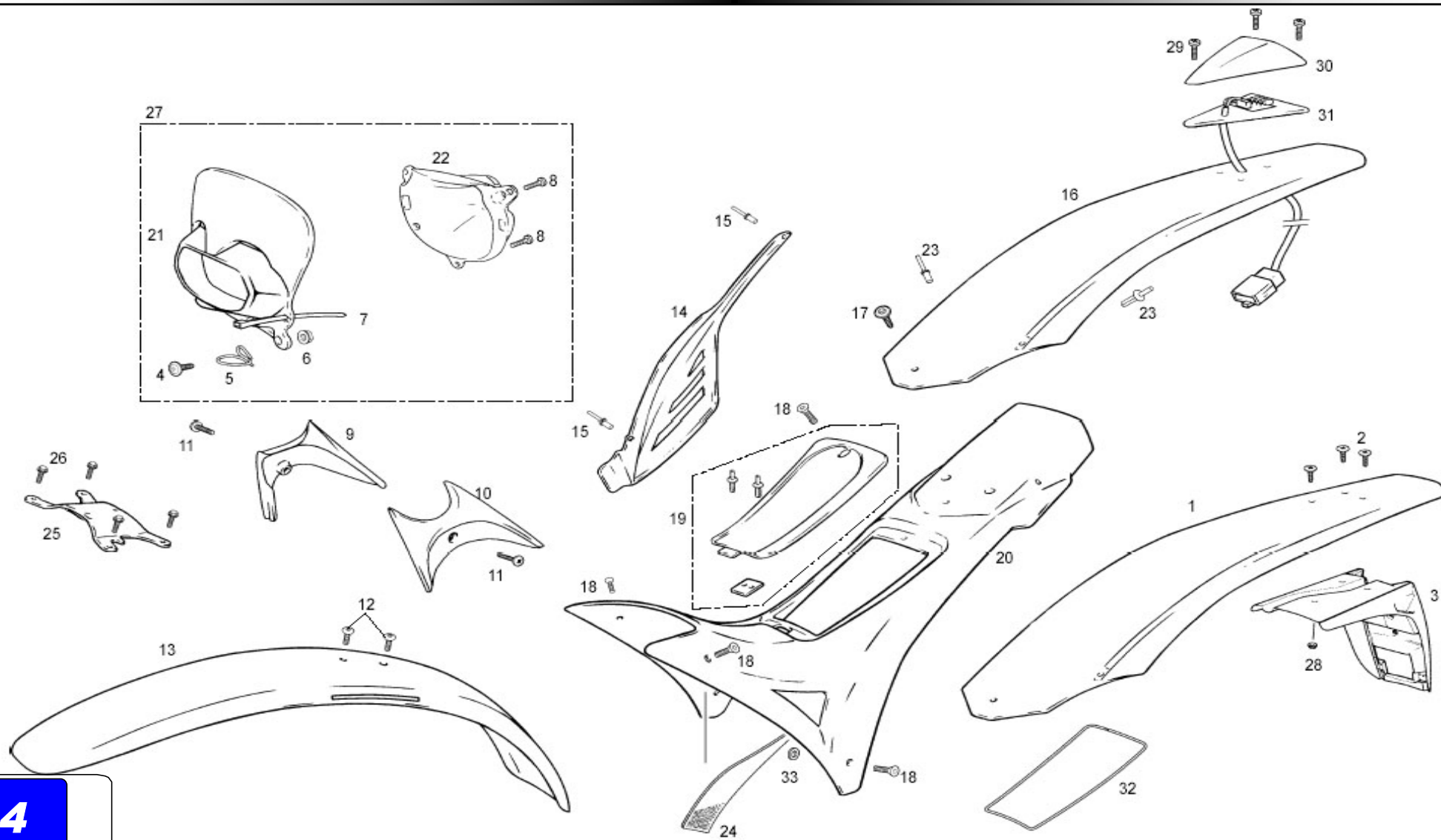
TXT PRO 2007



Nº	DESCRIPCION / DESCRIPTION	TXT PRO 2007	250 / 280 AZ	Cant.
1	EJE RUEDA DELANTERA TRIAL PRO / FRONT WHEEL AXLE	-	-	1
1A	EJE RUEDA DELANTERA TRIAL PRO 2004 / FRONT WHEEL AXLE	BT280418017	-	1
2	COJINETE / BEARING	ME120136055	-	2
3	CUBIERTA DELANTERA 2.75X21 / FRONT TYRE	N140000	-	1
4	GOMA PROTECTOR R14025 2.75X21 REF. 554350 / FRONT FLAP TYRE	N100000	-	1
5	CÁMARA DELANTERA 2.75X21 REF. 450905 / FRONT TUBE	N120000	-	1
6	RUEDA DELANTERA TRIAL PRO / PRO FRONT WHEEL	BT280418000RA	-	1
7	CUBO RUEDA DELANTERA TRIAL / FRONT HUB WHEEL	BT280418007	-	1
8	TUERCA RADIOS 3MM. RUEDA DELANTERA DIA. 6.5 / SPOKE NUT	BT27718001	-	32
9	RADIO 3X257 RUEDA DELANTERA TRIAL / FRONT WHEEL SPOKE	BRT500118008	-	16
10	RADIO 3X254 RUEDA DELANTERA TRIAL / FRONT WHEEL SPOKE	BRT500118009	-	16
11	AGARRE CUBIERTA / TYRE CLAMP	BE25618027	-	1
12	TUERCA CON ARANDELA ESTRIADA M8 ZINCADA / NUT WITH WASHER	BE25818060	-	1
13	DISTANCIADOR RUEDA DELANTERA / SPACER	-	-	1
14	TORNILLO EJE RUEDA DEL. TRIAL PRO 2004 / FRONT WHEEL AXLE SCREW	BT280418026	-	1
15	DISCO FRENO DELANTERO / FRONT BRAKE DISK	BT280322011	-	1
16	PINZA FRENO DELANTERO / FRONT BRAKE PADS	BT280222000	-	1
17	HEXAGONAL M8 CON ARANDELA / M8 HEXAGONAL SCREW WITH WASHER	T0206020	-	4
18	PROTECTOR DISCO FRENO / FRONT BRAKE DISK PROTECTOR	BT280420045	BT280420045AZ	1
19	TORNILLO PINZA FRENO DELANTERA INFERIOR 8X1.25X36.5 / SCREW	BT280022071	-	1
20	TORNILLO PINZA FRENO DELANTERA SUPERIOR 8X1.25X62.5 / SCREW	BT280022070	-	1
21	CTO. FRENO DELANTERO TRIAL / FRONT BRAKE SET	BT280422108	-	1
22	PLANCHA PROTECCIÓN PASTILLAS FRENO / BRAKE PAD PROTECTOR	BT280222213	-	1
23	PASTILLA FRENO DELANTERA 229.99102 / FRONT BRAKE PAD	BT280222065	-	2
24	LATIGUILLO FRENO DELANTERO 2000 / FRONT BRAKE TUBE	BT280222002	-	1
25	TORNILLO LATERAL BOMBA FRENO TRAS. / HOSE SCREW	BT27722212	-	1
25A	RÁCORD ALUMINIO TI M10 100 / ALUMINIUM HOSE SCREW	BT280522212	-	1
26	ARANDELA PLANA COBRE 10.25X14X1.4 / 10.25X14X1.4 WASHER	BT27922072	-	2
27	KIT REPARACION PINZA FRENO DEL. / FRONT BLAKE CALIPER SET	BT280222201	-	1
28	CHAVETA SUJECCIÓN PASTILLA FRENO / FRONT BRAKE PAD KEY	R250000	-	1
29	LLANTA DELANTERA / FRONT WHEEL RIM	BRT500118006	-	1
30	TORNILLO SUJECCION PASTILLAS / BRAKE PADS SCREW	BT280222006	-	1
31	CASQUILLO INTERIOR BUJE / BUSHING	BT280418051	-	1

GAS GAS

Chasis 3



Nº	DESCRIPCION / DESCRIPTION	ROJO / RED	AZUL / BLUE	Cant.
1	GUARDABARROS TRAS. TRIAL HOMOLOGADO / TRIAL REAR FENDER	BT280720007H	BT280720007HAZ	1
2	TORNILLO NEGRO ULS 6X16 / 6X16 ULS SCREW	T0506016N	-	3
3	PORTAMATRICULAS TRIAL HOMOLOGADO / TRIAL PLATE SUPPORT	BT280520003	-	1
4	TORNILLO ULS 6X14 CON ARANDELA PLATA / ULS SCREW 6X14	T0556014	-	1
5	GANCHO INOXIDABLE / RUSTLESS HOOK	M130000	-	1
6	TUERCA CON ARANDELA M6 / M6 NUT WITH WASHER	T2206000	-	2
7	BRIDA UNEX / UNEX CLAMP	BE25634007	-	2
8	TORNILLO ROSCA-CHAPA 3X9 / 3X9 SCREW	T1003009	-	4
9	PROTECTOR RADIADOR DERECHO / RIGHT RADIATOR COVER	BT280720012	BT280720012AZ	1
10	PROTECTOR RADIADOR IZQUIERDO / LEFT RADIATOR COVER	BT280720013	BT280720013AZ	1
11	TORNILLO CHAPA 4.2X13 / SCREW 4.2X13	T259349	-	2
12	ULS 5X8 / 5X8 ULS SCREW	T0505008	-	2
13	GUARDABARROS DELANTERO 2005 / TRIAL 2005 FRONT FENDER	BT280720006	BT280720006AZ	1
14	PROTECTOR ESCAPE TRIAL 2002 / EXHAUST PROTECTOR	BT280226021	-	1
15	REMACHE ALUMINIO 4X12 CABOTA NEGRA / ALUMINIUM RIVET	T4504012N	-	2
16	GUARDABARROS TRAS. TRIAL 2005 / TRIAL 2005 REAR FENDER	BT280720007	BT280720007AZ	1
17	ULS 6X16 CON ARANDELA NEGRO / 6X16 BLACK ULS WITH WASHER	T0556016N	-	1
18	TORNILLO CONICO 6X16 NEGRO / BLACK 6X16 CONIC SCREW	T0406016N	-	5
19	TAPA CAJA FILTRO TRIAL 2005 / TRIAL PRO 2005 FILTER BOX COVER	BT280728010	BT280728010AZ	1
20	BASE ASIENTO TRIAL 2005 / TRIAL 2005 SEAT STRUCTURE	BT280710019	BT280710019AZ	1
21	FARO DELANTERO TRIAL 2005 / TRIAL 2005 FRONT HEADLIGHT	BT280720020	BT280720020AZ	1
22	ÓPTICA HOMOLOGADA / APPROVED HEADLIGHT	BT280170022	-	1
23	REMACHE PLASTICO NEGRO GUARDAB. TRAS. / PLASTIC RIVET	T4503270	-	2
24	ADH. PROTECTOR ESCAPE AMIANTO / EXHAUST PROTECTOR STICKER	BT280238059	-	1
25	PUENTE HORQUILLA DELANTERA / FRONT SUSPENSION UNION	BT280110055	-	1
26	TORNILLO ESPECIAL 6X14 / 6X14 SPECIAL SCREW	T0206014	-	4
27	CTO. FARO HOMOLOGADO / APPROVED HEADLIGHT SET	BT280720020HCT	BT280720020HAZCT	1
28	TUERCA AUTOBLOCANTE M6 C/ARAND / SELF-LOCKING NUT M6	T2206002	-	3
29	TORNILLO ROSCA-CHAPA 3.5X13 / SCREW 3.5X13	T0603513	-	3
30	FARO PILOTO TRASERO TRIAL / REAR LIGHT	BT27934015	-	1
31	LÁMPARA LEDS / ELECTRONIC LED LAMP	L300119	-	1
32	TUBO FLEXIBLE SILICONA BASE ASIENTO / SEAT BASE SILICON HOSE	BT280236042	-	1
33	ARANDELA 5X12X1.5 / WASHER 5X12X1.5	T4005012	-	1

GAS GAS

Chasis 4

Adhesivos / Decals

GAS GAS

TXT PRO 2007

WARNING
ALWAYS WEAR A HELMET
OPERATOR ONLY: NO PASSENGERS. THE ADDITION OF A PASSENGER WILL AFFECT THE WEIGHT OF THE OPERATOR. TO CONTROL THE WEIGHT.
FAILURE TO FOLLOW THE PROPER STARTING AND OPERATING PROCEDURES MAY RESULT IN AN ACCIDENT.
PLEASE READ THE OWNER'S MANUAL CAREFULLY.
DO NOT RIDE ALCOHOL, DRUGS, MEDS, OR SURGE OPERATION OF THE BIKE.
GAS GAS

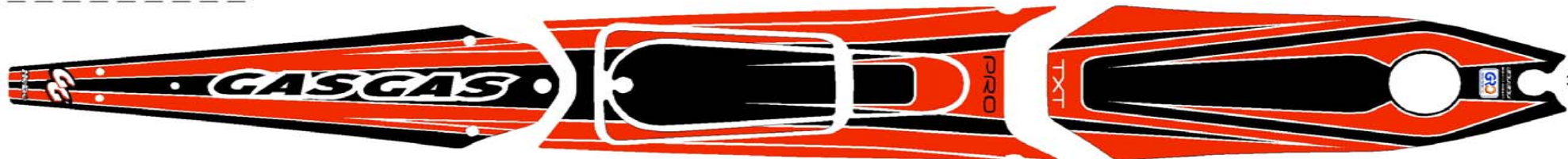
2 / 2A / 2B / 2C / 2D



6



11 / 11A / 11B / 11C / 11D

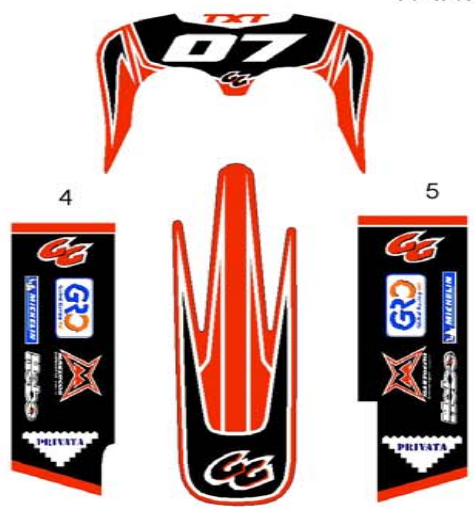


3

1 / 1A / 1B / 1C / 1D



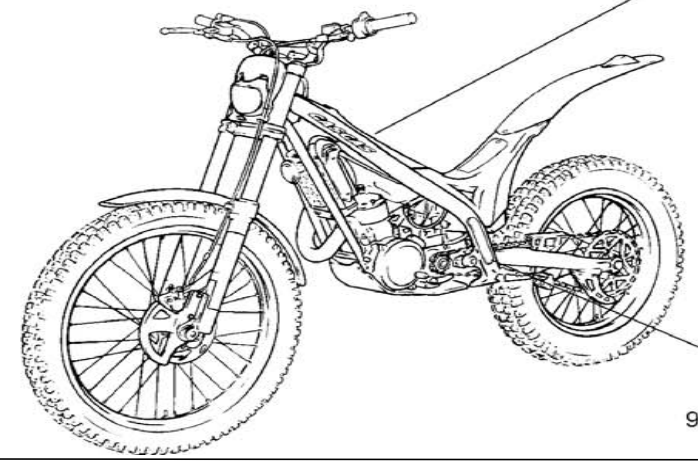
7



4

5

8 GAS GAS

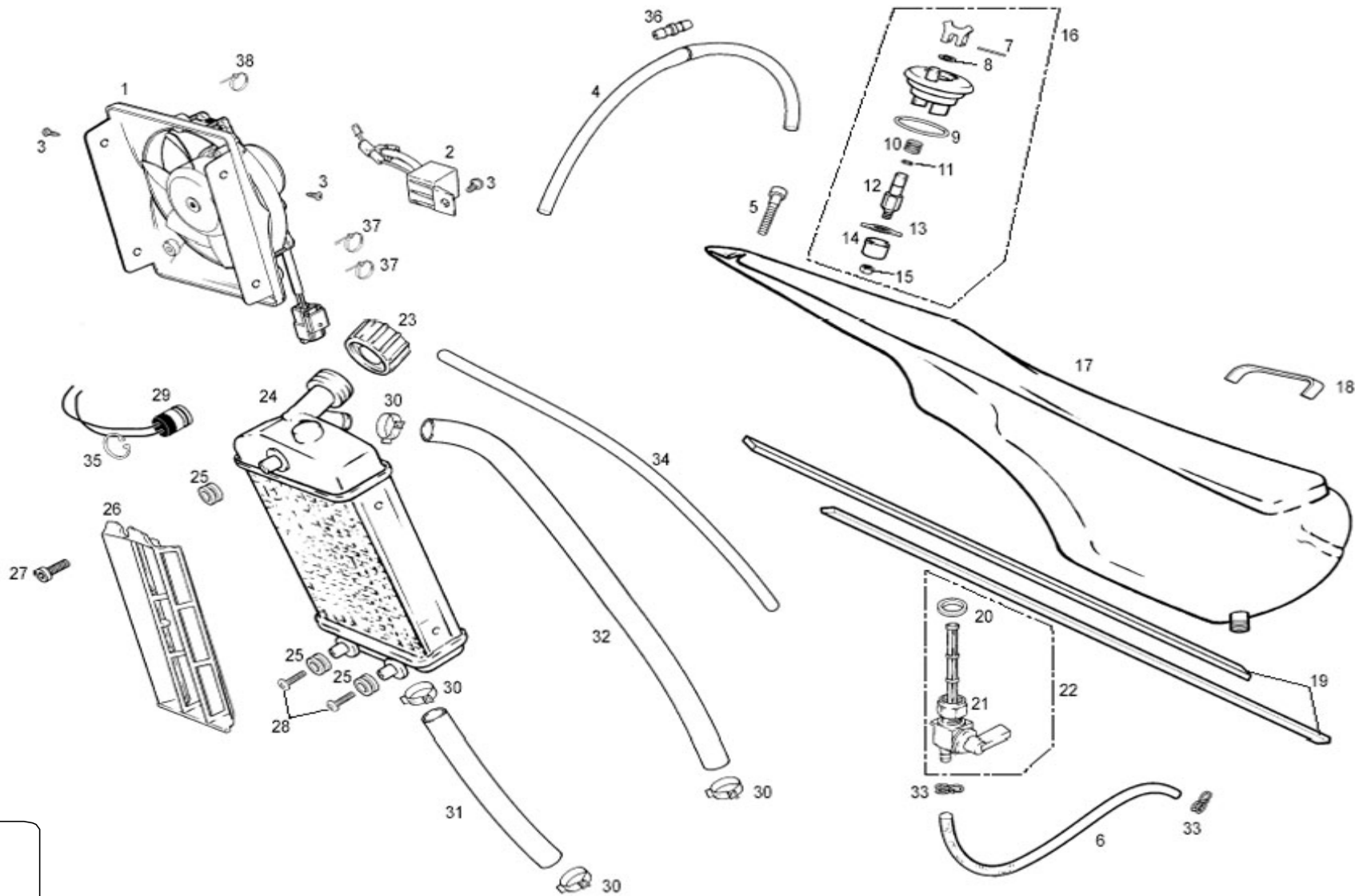


9

10

5

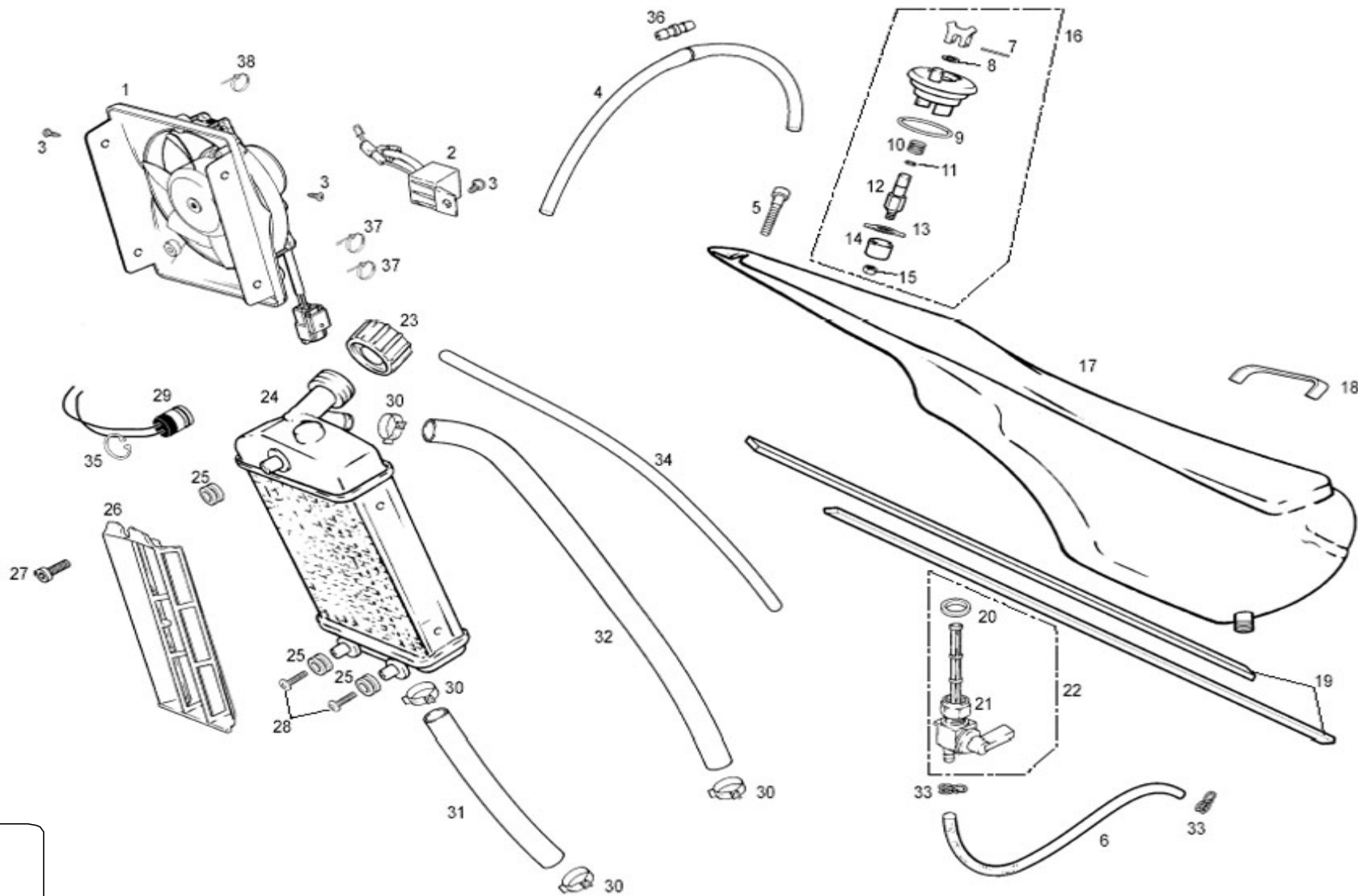
Nº	DESCRIPCION / DESCRIPTION	AMAR/YELL	ROJO / RED	AZUL / BLUE	Cant.
1	ADH. BASCULANTE LADO DER. 125 / RIGHT SWINGARM STICKER 125	-	BT120738005	-	1
1A	ADH. BASCULANTE LADO DER. 200 / RIGHT SWINGARM STICKER 200	-	BT200738005	-	1
1B	ADH. BASCULANTE LADO DER. 250 / RIGHT SWINGARM STICKER 250	BT250738005AM	BT250738005	BT250738005AZ	1
1C	ADH. BASCULANTE LADO DER. 280 / RIGHT SWINGARM STICKER 280	BT280738005AM	BT280738005	BT280738005AZ	1
1D	ADH. BASCULANTE LADO DER. 300 / RIGHT SWINGARM STICKER 300	-	BT300738005	-	1
2	ADH. BASCULANTE LADO IZQ. 125 / RIGHT SWINGARM STICKER 125	-	BT120738006	-	1
2A	ADH. BASCULANTE LADO IZQ. 200 / RIGHT SWINGARM STICKER 200	-	BT200738006	-	1
2B	ADH. BASCULANTE LADO IZQ. 250 / RIGHT SWINGARM STICKER 250	BT250738006AM	BT250738006	BT250738006AZ	1
2C	ADH. BASCULANTE LADO IZQ. 280 / RIGHT SWINGARM STICKER 280	BT280738006AM	BT280738006	BT280738006AZ	1
2D	ADH. BASCULANTE LADO IZQ. 300 / RIGHT SWINGARM STICKER 300	-	BT300738006	-	1
3	ADH. DEPÓSITO / FUEL TRANK STICKER	BT280738022AM	BT280738022	BT280738022AZ	1
4	ADH. HORQUILLA PUBLICIDAD DER. / RIGHT FRONT FORK STICKER	BT280738043AM	BT280738043	BT280738043AZ	1
5	ADH. HORQUILLA PUBLICIDAD IZQ. / LEFT FRONT FORK STICKER	BT280738042AM	BT280738042	BT280738042AZ	1
6	ADH. BASE ASIENTO IZQ. SILICONA / LEFT BASE SEAT STICKER	BT280738031AM	BT280738031	BT280738031AZ	1
7	ADH. BASE ASIENTO DER. SILICONA / RIGHT BASE SEAT STICKER	BT280738030AM	BT280738030	BT280738030AZ	1
8	ADH. CHASIS TRIAL / TRIAL FRAME STICKER	BT280738021	BT280738021	BT280738021	2
9	ADH. PROT. LATERAL IZQ. CHASIS TRIAL / FRAME LEFT PROT. STICKER	BT280720031	BT280720031	BT280720031	1
10	ADH. PROT. LATERAL DER. CHASIS TRIAL / FRAME RIGHT PROT. STICKER	BT280720030	BT280720030	BT280720030	1
11	CTO. ADH. TRIAL 125 / T125 STICKER SET	-	-	-	1
11A	CTO. ADH. TRIAL 200 / T200 STICKER SET	-	-	-	1
11B	CTO. ADH. TRIAL 250 / T250 STICKER SET	-	BT250738000	BT250738000AZ	1
11C	CTO. ADH. TRIAL 280 / T280 STICKER SET	-	BT280738000	BT280738000AZ	1
11D	CTO. ADH. TRIAL 300 / T300 STICKER SET	-	BT300738000	-	1



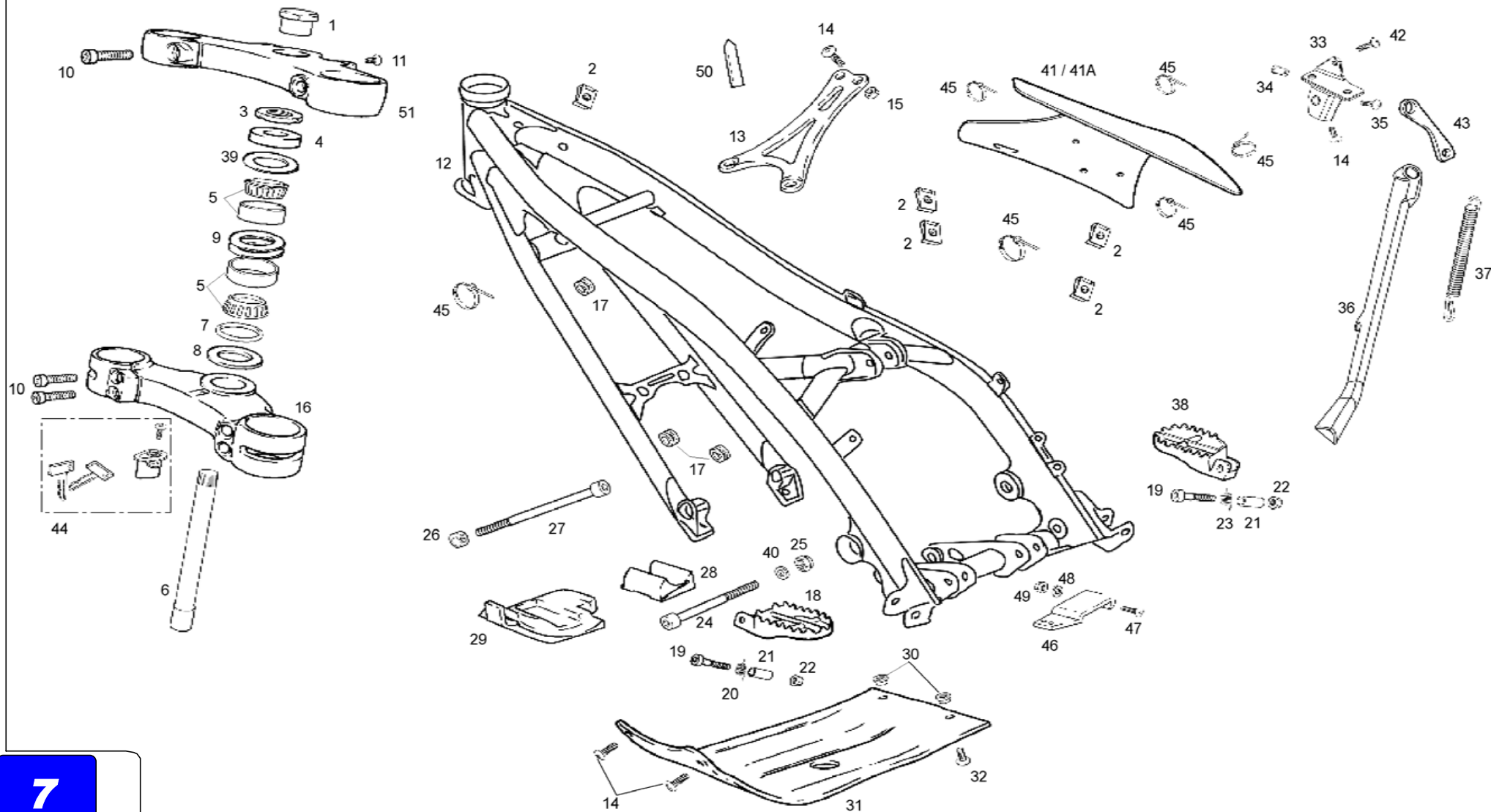
Nº	DESCRIPCION / DESCRIPTION	125 / 200 / 250 / 280	300	Cant.
1	VENTILADOR F-14 / FUN F-14	BFS450332340	BT300432340	1
2	MODULO VENTILADOR / FUN MODULE	BT120532342	BT280532342	1
3	TORNILLO ROSCA CHAPA CON ARANDELA / SCREW THREAD WITH WASHER	-	T0604210	3
4	TUBO DESVAPORIZADOR DEPÓSITO 41cm. / TANK TUBE 41CM. LONG	-	BT280310018	1
5	TORNILLO M6X30 / SCREW M6X30	-	T0206030	1
6	TUBO GASOLINA TRIAL / FUEL HOSE	-	BT280236004	1
7	PASADOR CIERRE TAPÓN / PIN CLOSE PLUG	-	BT27710094	1
8	ARANDELA ANTIDESGASTE CERRADURA / WASHER UNWEAR CLOSE	-	BT27710095	1
9	TÓRICA CIERRE 29X3 NBR / CLOSE O'RING 29X3	-	BT27810097	1
10	MUELLE TAPÓN DEPÓSITO / SPRING PLUG TANK	-	BT27910102	1
11	TÓRICA EJE TAPÓN 5X1 NBR / O'RING AXLE PLUG 5X1	-	BT27810098	1
12	EJE TAPÓN DEPÓSITO / AXLE PLUG TANK	-	BT27910092	1
13	BAYONETA TAPÓN DEPÓSITO / BAYONET PLUG TANK	-	BT27910101	1
14	APRETADOR TAPÓN GASOLINA / O'RING PRESS PLUG TANK	-	BT27910090	1
15	TUERCA AUTOBLOCANTE M-5 / SELF-LOCKING M-5	-	T2105001	1
16	CTO. TAPÓN GASOLINA / CPT. PLUG FUEL-PETROL	-	BT280420010	1
17	DEPÓSITO TRIAL PINTADO 2004 / PAINTED TRIAL 2004 TANK	-	BT280710024	1
18	JUNTA ADHESIVA DEPÓSITO 125x10 / STICKER TANK GASKET	-	BT280038018	1
19	JUNTA ADHESIVA DEPÓSITO CHASIS 38 X 1 / STICKER TANK GASKET,FRAME	-	BT27838018	2
20	ARANDELA GRIFO DEPÓSITO / WASHER TANK TAP	-	BT27910131	1
21	TUERCA GRIFO DEPÓSITO / NUT TANK TAP	-	BT27910132	1
22	GRIFO GASOLINA C/90 / FUEL VALVE	-	BT27810031	1
23	TAPÓN RADIADOR TP50806 TRIAL 2002 / RADIATOR CAP	-	BT280232032	1
24	CTO. RADIADOR TRIAL 2004-TERMOCONTACTO / 2004 RADIATOR	-	BT280532000T	1
25	GOMAS RADIADOR A CHASIS / RADIATOR TUBE TO FRAME	-	G220000	3
26	REJILLA RADIADOR TRIAL 2002 / RADIATOR GRILL	-	BT280220001	1
27	ALLEN 6X14 / 6X14 ALLEN BOLT	-	T0306014	1
28	ULS 6x10 CON ARANDELA / 6X10 ULS BOLT WITH WASHER	-	T0556010	2
29	TERMO CONTACTO / TERMO-CONTACT	-	BT280432065	1
30	ABRAZADERA COBRA DE 21 / COBRA CLAMP 21	-	L200046	4
31	TUBO INFERIOR RADIADOR-BOMBA AGUA / RADIATOR-WATER PUMP LOWER TUBE	-	BT280232003	1
32	TUBO SUPERIOR RADIADOR-CULATA / RADIATOR-CYL. HEAD UPPER TUBE	-	BT280432002	1
33	ABRAZADERA ELÁSTICA NEGRA ALAMBRE 9.3X9.9 2016055 / SPRING CLAMP	-	L200036	2

GAS GAS

Chasis 6



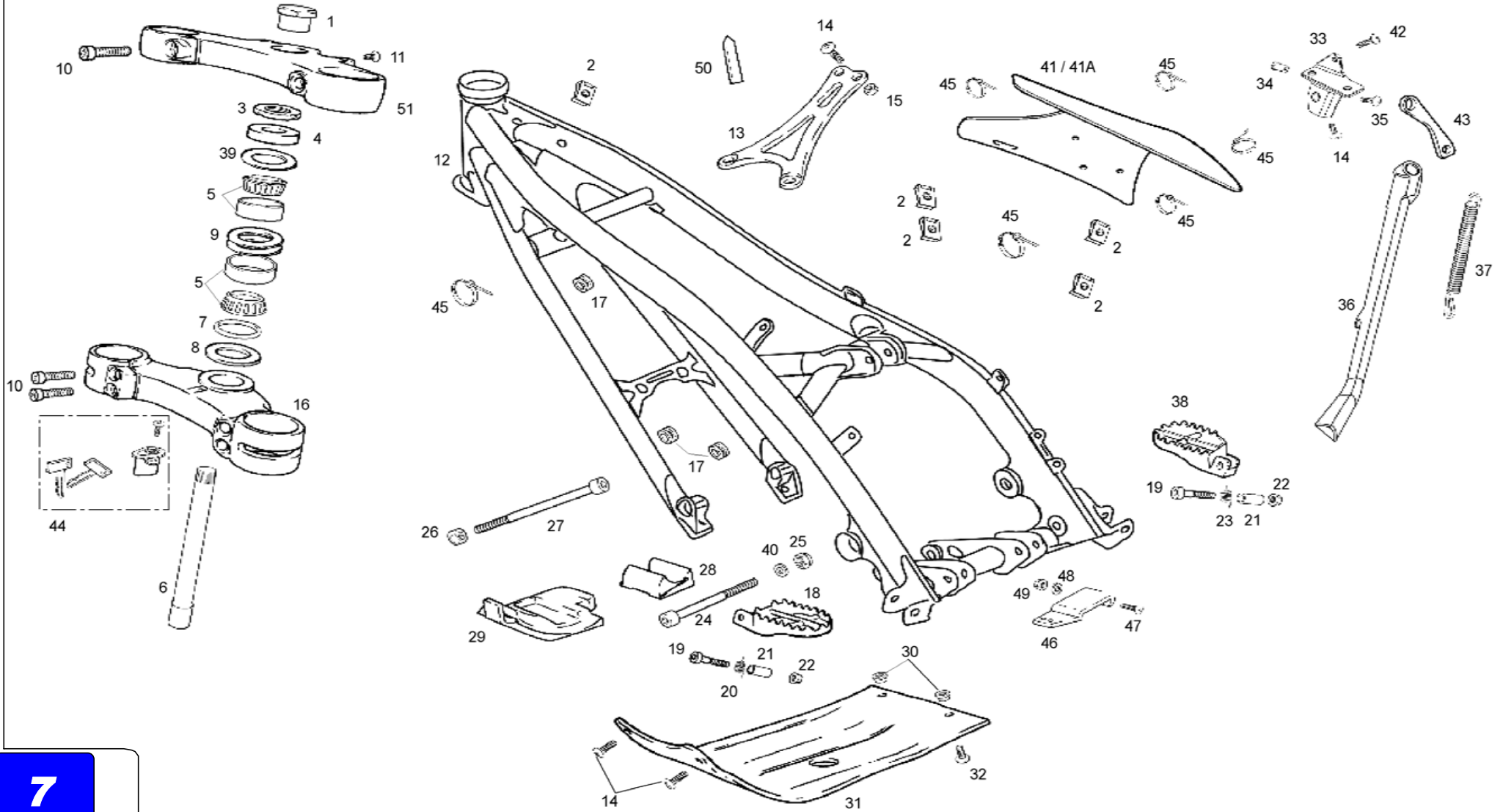
Nº	DESCRIPCION / DESCRIPTION	125 / 200 / 250 / 280	300	Cant.
34	TUBO DESVAPORIZADOR TAPÓN GAS (26cm) / RADIATOR EXCESS TUBE HOSE	-	BE25620011	1
35	CLIP TERMOSTATO PRO 2005 / SEEGER	-	BT280432066	1
36	VÁLVULA DESVAP. DEPÓSITO / UNSTEAMER VALVE	-	BT27836025	1
37	BRIDA UNEX CORTA 2.5X98 / UNEX CALMP	-	BE25634010	2
38	BRIDA UNEX 2244 4.8X20 / UNEX CLAMP	-	BE25634009	1



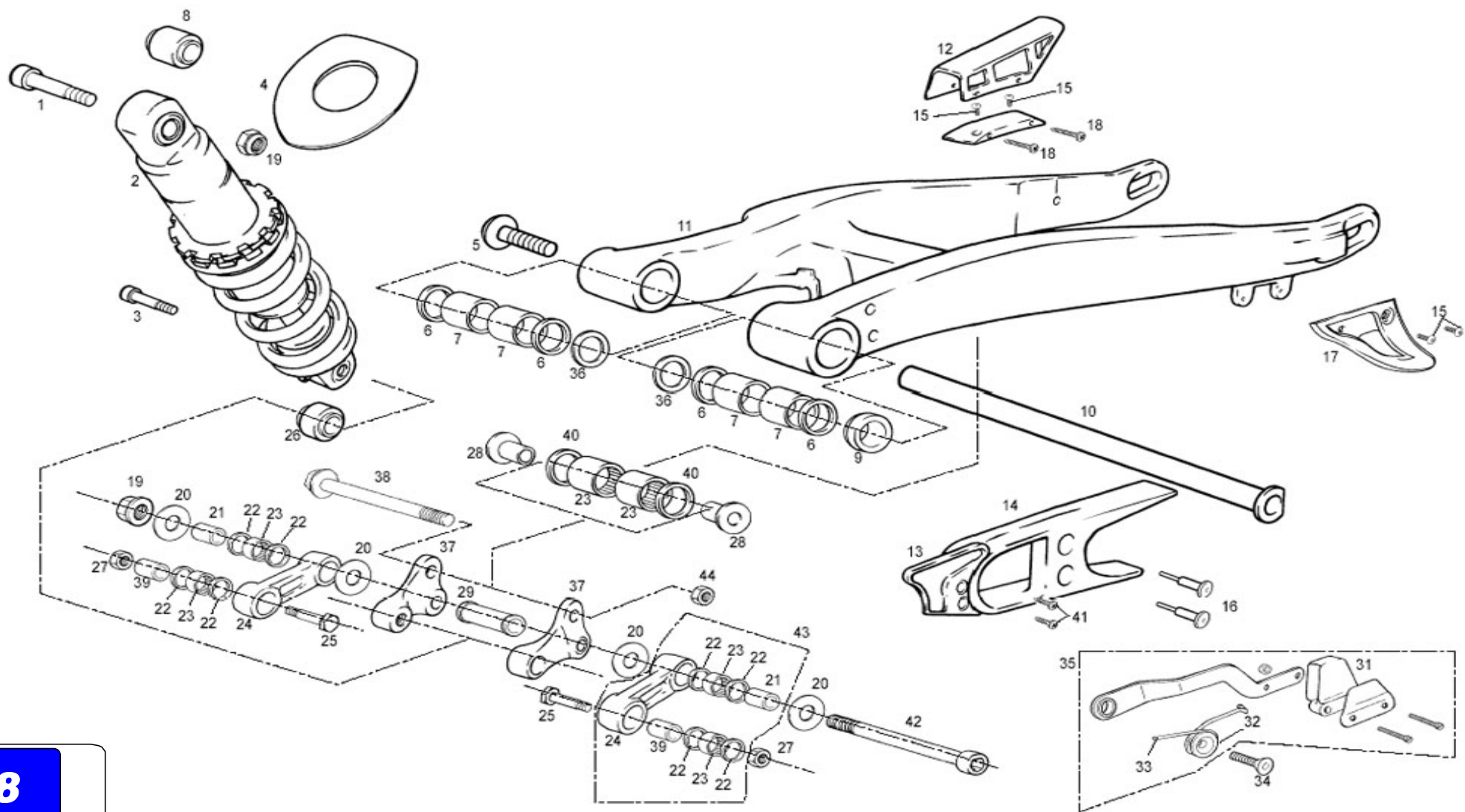
Nº	DESCRIPCION / DESCRIPTION	125 / 200	250 / 280 / 300	Cant.
1	TUERCA SUPERIOR DIRECCIÓN TRIAL / NUT TOP STEERING AXLE	BT280210030	BT280410030	1
2	TUERCA NUT 956 RAPIDA M6 / M6 FAST NUT	-	T2606000	5
3	TUERCA INFERIOR DIRECCIÓN TRIAL / NUT UNDER TOP CLAMP	BT280210029	BT280410029	1
4	GUARDAPOLVO COJINETES DIRECCIÓN / BEARING STEERING, DUST COVER	-	BEP250210026	1
5	COJINETE DIRECCIÓN URBXA 32004 / BEARING STEERING	-	BT280210008	2
6	EJE DIRECCIÓN TRIAL 2002 / AXLE STEERING	BT280214003	-	1
7	TÓRICA DIRECCIÓN 37X2,5 ENDUPAMP 250 / O'RING STEERING	-	BEP250210012	1
8	ARANDELA REGLAJE BLANCA / WHITE WASHER	-	BT280210026	1
9	ARANDELA 36X42X0.5 / 36X42X0.5 WASHER	-	T4003642	2
10	ALLEN BRIDA INFERIOR / ALLEN SCREW	T0308030	T0306025	6
11	ULS 6X10 DIRECCIÓN / STEERING ULS	T0506010	-	1
12	CHASIS TRIAL 2003 PINTADO / PAINTED 2003 TRIAL FRAME	-	BT280710000	1
13	TIRANTE CILINDRO / BRACE CYLINDER	-	BT280110050	1
14	ULS 8X20 / 8X20 ULS	-	T0508020	7
15	TUERCA AUTOBLOCANTE M-8 ALTA / SELF-LOCKING NUT M8 HIGH	-	T2108002	4
16	PLATINA INFERIOR TRIAL / FORK CLAMP (LOWER)	BT280214002	BT280414002	1
17	GOMAS RADIADOR A CHASIS / RADIATOR PROTECTOR RUBBER	-	G220000	3
18	ESTRIBO IZQUIERDO 99 / FOOTSTEP (LEFT)	-	BT27910003	1
19	TORX 8X45 ESTRIBO / 8X45 TORX SCREW	-	T0568045	2
20	MUELLE ESTRIBO IZQUIERDO / SPRING FOOTSTEP (LEFT)	-	M100004	1
21	CASQUILLO ESTRIBO TRIAL-99 / BUSH FOOTSTEP	-	BT27910006	2
22	TUERCA AUTOBLOCANTE M-8 BAJA (DIN 982) / NUT NYLOCK LOW	-	T2108001	2
23	MUELLE ESTRIBO DERECHO / SPRING FOOTSTEP, RIGHT	-	M100003	1
24	ALLEN 10x85 / 10X85 ALLEN BOLT	-	T0301085	1
25	TUERCA AUTOBLOCANTE M10 BAJA / SPECIAL M10 NUT	-	T2110001	1
26	TUERCA ESPECIAL M10 / SPECIAL M10 NUT	-	BT280210069	1
27	ALLEN M10X140 ZINCADO 12.9 / SCREW, BOLT ALLEN M10X140	-	T0310140	1
28	GOMA PROTECTOR TRASERO MOTOR / REAR ENGINE PROT. RUBBER	-	BT280336029	1
29	GOMA PROTECTOR DELANTERO MOTOR / FRONT ENGINE PROT. RUBBER	-	BT280236030	1
30	CASQUILLO PROTECTOR CÁRTER / CHASIS TRIAL / BUSHING	-	BT280310883	2
31	PLACA PROTECCIÓN MOTOR / TRIAL ENGINE PROTECTOR PLATE	-	BT280210005	1
32	ULS 8X16 / ULS 8X16	-	T0508016	2
33	SOPORTE CABALLETE TRIAL 2000 / SIDE STAND BRACKET SUPPORT	-	BT280712023	1

GAS GAS

Chasis 7



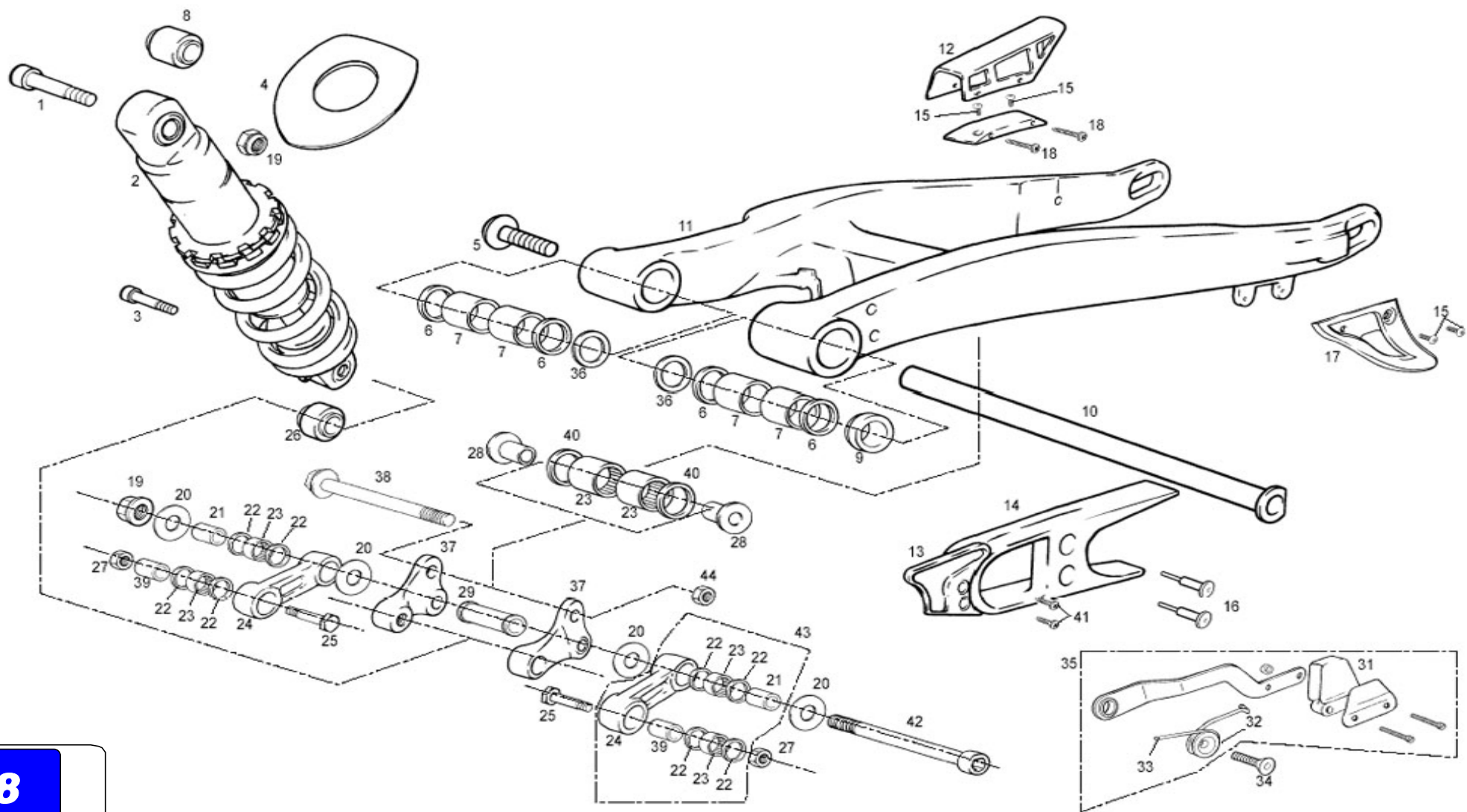
Nº	DESCRIPCION / DESCRIPTION	125 / 200	250 / 280 / 300	Cant.
34	CASQUILLO GUÍA CABALLETE TRIAL / BUSH, PIVOT SIDE STAND	-	BT27712011	1
35	ALLEN 8X14 / 8X14 ALLEN BOLT	-	T0308014	1
36	CABALLETE TRIAL 99 / SIDE STAND BRACKET	-	BT280712010	1
37	MUELLE CABALLETE / SIDE STAND SPRING	-	BT280310039H	1
38	ESTRIBO DERECHO 99 / FOOTSTEP, RIGHT	-	BT27910002	1
39	ARANDELA 22.4X36X0.7 REGLAJE / REGULATE WASHER	-	T4022036	2
40	ARANDELA GLOBER 10X15 / GLOBER WASHER	-	T4001015	1
41	GOMA PROTECCIÓN CAJA-CHASIS CORTA TRIAL PRO / SHORT PROTECT RUBBER	-	BT280236033	1
41A	GOMA PROTECCIÓN CAJA-CHASIS LARGA TRIAL PRO / LONG PROTECT RUBBER	-	BT280236034	1
42	HEXAGONAL 6X16 / 6X16 HEXAGONAL BOLT	-	T0106016	1
43	EXCÉNTRICA CABALLETE TRIAL HOMO. / ADJUSTER	-	BT280312025H	1
44	CTO. BLOQUEO CLAUSOR / LOCKING CLAUSOR SET	-	BT280210075	1
45	BRIDA UNEX 2244 4.8X20 / 4.8X20 BLACK CLAMP	-	BE25634009	1
46	PROTECTOR CADENA A CHASIS / CHAIN PROTECTOR	-	BT280212026	1
47	TORNILLO ULS 6X25 / ULS 6X25	-	T0506025	1
48	ARANDELA PLANA 6.5X16X1.5 / WASHER 6.5X16X1.5	-	T4006016	1
49	TUERCA AUTOBLOCANTE DIN-6926 M6 CON ARANDELA ZN / NUT NYLOCK	-	T2206002	1
50	FUNDA CLIP 1X70 CHASIS / CLIP PROTECTOR	-	BE250411000	1
51	PLATINA SUPERIOR / UPPER CLAMP	ST950300	BT280414001	1



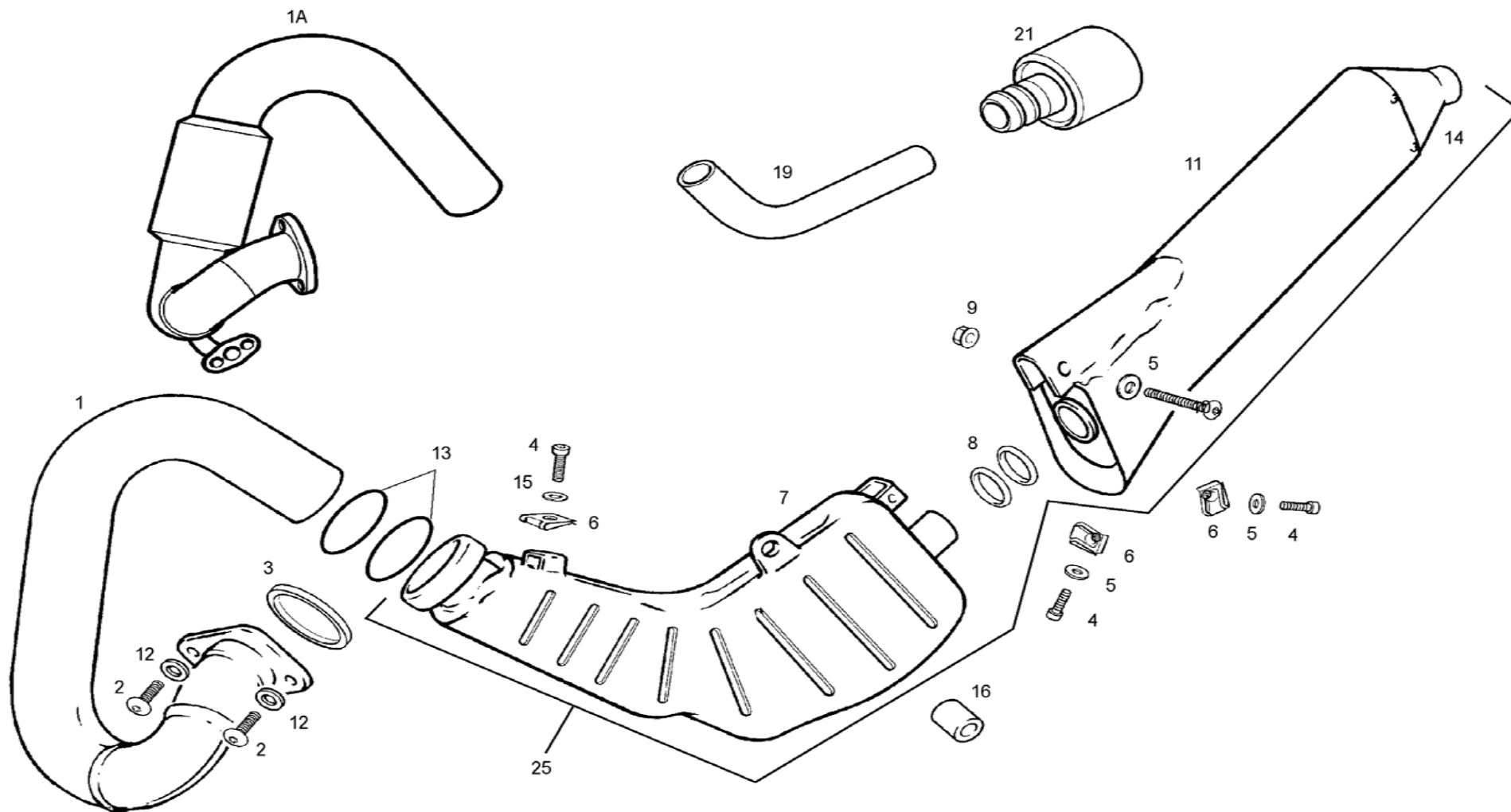
Nº	DESCRIPCION / DESCRIPTION	125 / 200	250 / 280 / 300	Cant.
1	ALLEN 10X55 / 10X55 ALLEN SCREW	-	T0301055	1
2	AMORTIGUADOR TRIAL / SHOCK ABSORBER	BRT500114004	BT280314004RA	1
3	TORNILLO ESPECIAL / SPECIAL SCREW	-	T0310046	1
4	GOMA PROTECCIÓN AMORTIGUADOR TRASERO / REAR SHOCK PROTECTOR	-	BT280236041	1
5	TORNILLO EJE BASCULANTE TRIAL / SWING-ARM AXLE SCREW	-	BT280212009	1
6	RETÉN 20-26-4 870 N BASCULANTE / 20-26-4 OIL SEAL	-	C220001	4
7	COJINETE / BEARING	-	BT280212032	4
8	SILENTBLOCK AMORTIGUADOR / REAR SHOCK ABSORVER SILENTBLOCK	-	BT280414305	1
9	CASQUILLO GUÍA EJE BASCULANTE / SWING-ARM AXLE BUSHING	-	BT280212108	1
10	EJE BASCULANTE TRIAL / SWING-ARM AXLE	-	BT280412008	1
11	BASCULANTE TRIAL 2002 PULIDO SCOTCH / TRIAL 2002 SWING-ARM SCOTCH POLISHED	-	BT280712002	1
12	CUBRECADENAS / CHAIN COVER	-	BT280428011	1
13	PROTECTOR PIÑÓN TRIAL 2002 / PINION PROTECTOR	-	BT280236021	1
14	PATÍN CADENA / CHAIN GUIDE	-	BT280412015	1
15	ULS 5X12 / 5X12 ULS	-	T0505012	4
16	REMACHE CABOTA GRANDE 14X4 8X21 PATÍN / RIVET	-	T4505016	2
17	PROTECTOR CORONA TRIAL 2003 / SPROCKET PROTECTOR	-	BT280320029	1
18	TORNILLO ROSCA CHAPA PHILIPS 4X38 / 4X38 PHILIPS SCREW	-	T0614838	2
19	TUERCA AUTOBLOCANTE / SELF-LOCKING NUT	-	T2110001	2
20	ARANDELA REGLAJE 10.5X26X0.5 / 10.5X26X0.5 WASHER	-	T4001026	4
21	CASQUILLO SUSPENSIÓN DIAM. 10 / SUSPENSION BUSHING	-	BT27712005	2
22	RETÉN 15X21X2 / 15X21X2 OIL SEAL	-	C230001	8
23	COJINETE AGUJAS 15BM2116 / NEEDLE BEARING	-	BT27714009	6
24	BIELETA ALUMINIO TRIAL 2000 / ALUMINIUM ROD	-	BT280014008	2
25	TORNILLO ESPECIAL BIELETA 8X38 / 8X38 SPECIAL SCREW	-	T0118038	2
26	RÓTULA AMORTIGUADOR / BALL AND SOCKET JOIN	-	BT280214300	1
27	TUERCA AUTOBLOCANTE M8 ALTA / SELF-LOCKING NUT	-	T2108002	2
28	CASQUILLO BALANCÍN 99 / ARTICULATION BUSHING	-	BT27914014	2
29	CASQUILLO DISTANCIADOR BALANCÍN / ARTICULATION SPACER BUSHING	-	BT27914016	1
31	GOMA TENSOR CADENA / TENSIONER CHAIN RUBBER	-	G180010	1
32	CASQUILLO TENSOR CADENA / CHAIN TENSIONER BUSHING	-	B560000	1
33	MUELLE TENSOR CADENA / CHAIN TENSIONER SPRING	-	M122000	1
34	ALLEN CONICO 8X30 TENSOR CADENA / 8X30 CONIC ALLEN	-	T0408030	1

GAS GAS

Chasis 8



Nº	DESCRIPCION / DESCRIPTION	125 / 200	250 / 280 / 300	Cant.
35	CTO. TENSOR CADENA TRIAL / CHAIN TENSIONER ASSY.	-	BT280410078	1
36	ARANDELA BASCULANTE TRIAL 2002 / SWING-ARM WASHER	-	BT280212007	2
37	CTO. BALANCÍN TRIAL 2000 / ROCKER-ARM SET	-	BT280014005CT	1
38	TORNILLO ESPECIAL M10X80X1.25 12.9 / M10X80X1.25 SCREW	-	T0210080	1
39	CASQUILLO SUSPENSIÓN DIAM.8 / DIAM. 8 SUSPENSION BUSHING	-	BT27712014	2
40	RETÉN 15-21-3-8170N BASC. BAL. / 15-21-3-8170N OIL SEAL	-	C230000	2
41	TORNILLO ROSCA-CHAPA 4.2X12 / 4,2X12 SCREW	-	T259349	2
42	ALLEN M10X120 / M10X120 ALLEN	-	T0310121	1
43	BIELETA ALUMINIO TRIAL COMPLETA / ALUMINIUM ROD SET	-	BT280014008CT	2
44	TUERCA M10 / M10 NUT	-	T3110002	1

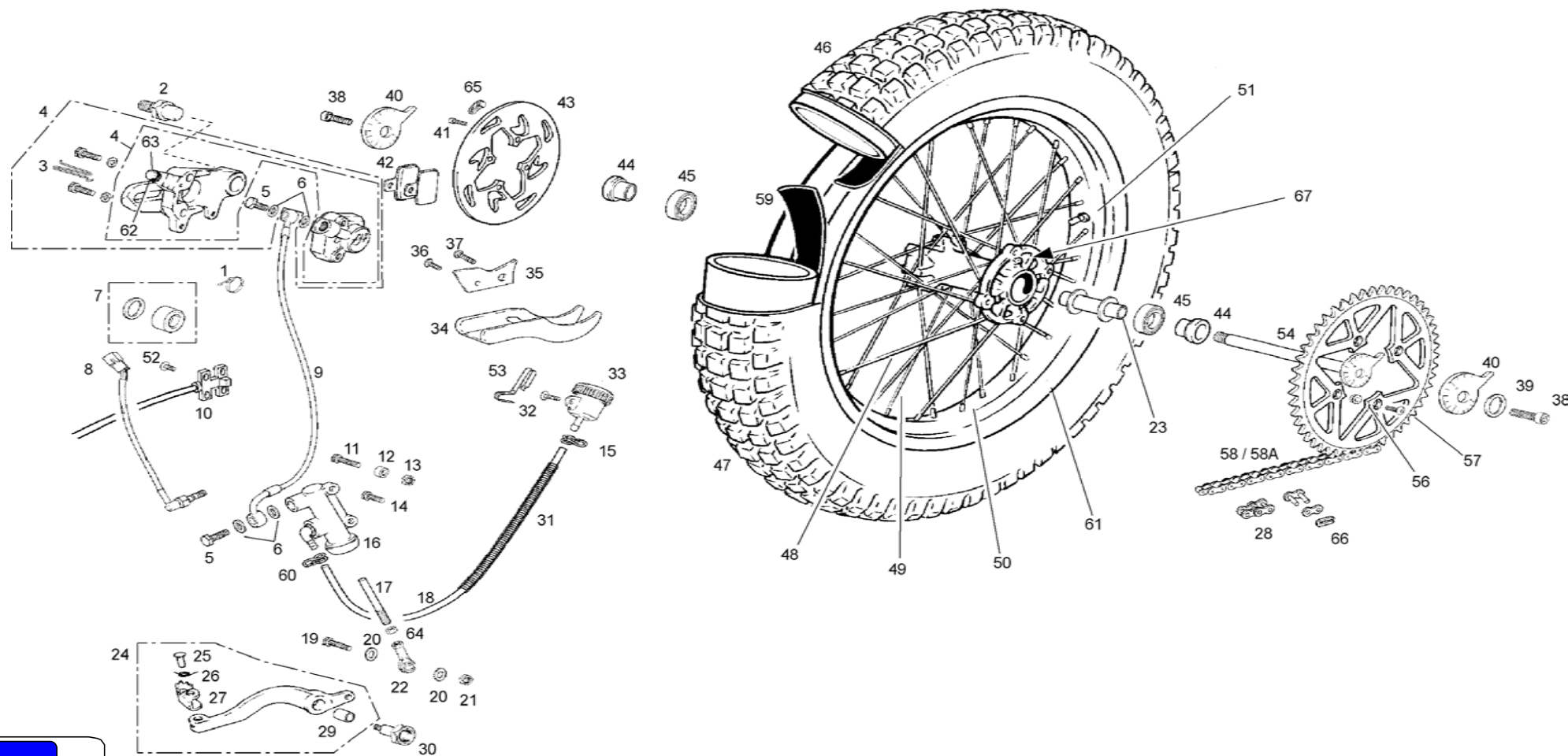


Nº	DESCRIPCION / DESCRIPTION	125 / 200	250 / 280 / 300	Cant.
1	CURVA ESCAPE TRIAL SXXI / TRIAL BEND EXHAUST SXXI	BT120726001	BT280726001	1
1A	CURVA ESCAPE HOMOLOGADA / HOMOLOGATED BEND EXHAUST	-	BT280626001H	1
2	ULS 8X16 / 8X16 ULS	-	T0508016	2
3	JUNTA ESCAPE S4 105 / EXHAUST GASKET	-	MT280244012	1
4	TORNILLO ULS 6X16 / SCREW 6X16 ULS	-	T0506016	2
5	ARANDELA PLANA 6.5X16X1.5 / 6.5X16X1.5 LOWER WASHER	-	T4006016	1
6	GRAPA M6 NUT / CAGE NUT M6	-	T2606000	2
7	SILENCIOSO INTERMEDIO PRO 2004 / MIDDLE SILENCER	-	BT280426020	1
8	TÓRICA ESCAPE / EXHAUST O'RING	-	C280002	2
9	TUERCA CON ARANDELA M6 / FLANGE NUT M6	-	T2206000	1
10	ULS 6X40 / 6X40 ULS	-	T0506040	1
11	SILENCIOSO FINAL TRIAL / FINAL SILENCER	-	BT280326002	1
12	ARANDELA GROVER 8X12X2 / GROVER WASHER	-	T4008314	2
13	TÓRICA SILENCIOSO INTERMEDIO 44,05X3,53 / O'RING INT. SILENCER	-	C290000	2
14	CAZOLETA SILENCIOSO FINAL / FINAL EXHAUST COVER	-	BT280126100	1
15	ARANDELA PLANA 6X12X1,5 / 6X12X1,5 LOWER WASHER	-	T4006012	1
16	CASQUILLO SEPARADOR MOTOR EC125 / BUSHING	-	BE120110065	1
17	SOPORTE AIRE SECUNDARIO (HOMOL.) / SECONDARY AIR SUPPORT (APPROVED)	-	BT280626063	1
18	VÁLVULA AIS / AIS VALVE	-	BT050526060	1
19	TUBO AIRE SECUNDARIO DE ESCAPE A VÁLVULA / SECONDARY AIR HOSE FROM EXHAUST TO VALVE	-	BT280626061	1
20	TUBO AIRE SECUNDARIO DE VÁLVULA A FILTRO / SECONDARY AIR HOSE FROM VALVE TO FILTER	-	BT280626062	1
21	FILTRO AIRE SECUNDARIO / SECONDARY AIR FILTER	-	BT280626059	1
22	CASQUILLO INF. ESCAPE TRIAL / LOWER EXHAUST BUSHING TRIAL	-	BT280226240	2
23	ABRAZADERA 8X15 / 8X15 CLIP	-	BQ300214157	4
24	ULS 6X14 ARANDELA INC./ WASHER INC ULS 6X14	-	T0556014	2
25	CTO. INTERM. Y FINAL (FINAL PULIDO SCOTCH) / INTERMEDIATE AND FINAL SET (FINAL SCOTCH POLISHED)	-	BT280726050	1

**Rueda trasera /
Rear wheel**

GAS GAS

TXT PRO 2007



Nº	DESCRIPCION / DESCRIPTION	125	200	250 / 280	300	Cant.
1	BRIDA UNEX CORTA 2221-0 2,5X98 / 0 2.5X98 / CABLE TIES 2.5X98	-	-	BE25634010	-	1
2	CASQUILLO CENTRADOR PINZA / SPACER BUSHING	-	-	BT280222049	-	1
3	CHAVETA SUJECIÓN PASTILLA / KEY SPACER BRAKE PADS	-	-	R250000	-	1
4	PINZA FRENO TRASERA / CALIPER BRAKE REAR	-	-	BT280222001	-	1
5	TORNILLO LATERAL BOMBA FRENO TRASERO / BOLT PRESSURE HOSE	-	-	R320000	-	2
6	ARANDELA AL. 10X14X1.5 / WASHER 10X14X1.5	-	-	BT280422007	-	4
7	KIT REPARACIÓN PINZA FRENO / REPAIR KIT BRAKE PAD	-	-	BT280222202	-	1
8	INTERRUPTOR STOP HOMOLOGADO / STOP INTERRUPTOR HOMOL.	-	-	BEP250234003	-	1
9	LATIGUILLO FRENO TRASEO / REAR BRAKE HOSE	-	-	BT280222004	-	1
10	REENVÍO / HALL SENSOR	-	-	BT280634050	-	1
11	TORNILLO 6X25 / 6X25 BOLT	-	-	T0206025	-	1
12	CASQUILLO SEPARADOR FRENO TRASERA / REAR BRAKE PUMP SPACER	-	-	BT280226240	-	1
13	TUERCA CON ARANDELA M6 (DIN 6923) ESTRIADA / M6 NUT WITH WASHER	-	-	T2206000	-	2
14	TORNILLO ESPECIAL 6X14 / 6X14 SPECIAL SCREW	-	-	T0206014	-	1
15	ABRAZADERA ELÁSTICA ALAMBRE / ELASTIC SPRING	-	-	L200036	-	2
16	BOMBA FRENO TRASERO / REAR BRAKE PUMP	-	-	BT280222010	-	1
17	VARILLA FRENO TRASERA TRIAL 2002 / BRAKE ROD	-	-	BT280222062	-	1
18	TUBO SOBRANTE RAD. 5X8 (39cm) / RADIATOR HOSE 5X8 (39cm).	-	-	BE25632009	-	1
19	ULS 6x25 / 6x25 ULS BOLT	-	-	T0556025	-	1
20	ARANDELA PLANA 6X12X1.5 / WASHER 6X12X1.5	-	-	T4006012	-	1
21	TUERCA AUTOBLOCANTE DIN-6926 C/ARAND. ZN / SCREW	-	-	T2206002	-	1
22	RÓTULA PEDAL FRENO / BRAKE PEDAL BALL-AND-SOCKET JOINT	-	-	BT280222053	-	1
23	CASQUILLO SEPARADOR 390.80.221 / BUSHING	-	-	BT280218052	-	1
24	CTO. PEDAL FRENO TRASERO / REAR BRAKE PEDAL SET	-	-	BT27922016CT	-	1
25	REMACHE PUNTERA PEDAL FRENO / BRAKE PEDAL END RIVET	-	-	BE25922018	-	1
26	MUELLE PUNTERA PEDAL / SPRING PEDAL, END GEAR CLEVER	-	-	ME25636029	-	1
27	PUNTERA PEDAL FRENO / TOE PEDAL BRAKE	-	-	BT27922017	-	1
28	ENGANCHE CADENA IRIS 520 RXL / CHAIN SPLIT LINK	-	-	BT280310066	-	1
29	GLACIER PEDAL FRENO 1215PD10 / GLACIER BRAKE PEDAL	-	-	C200101	-	1
30	CASQUILLO TORNILLO PEDAL FRENO TRIAL / SCREW BUSHING	-	-	BT280610302	-	1
31	MUELLE DESVAPORIZADOR / SPRING BREATHER	-	-	M150000	-	1
32	ULS 6x14 CON ARANDELA / 6X14 ULS WITH WASHER	-	-	T0556014	-	1
33	DEPÓSITO LÍQUIDO FRENOS / BRAKE LIQUID TANK	-	-	BT280410016	-	1

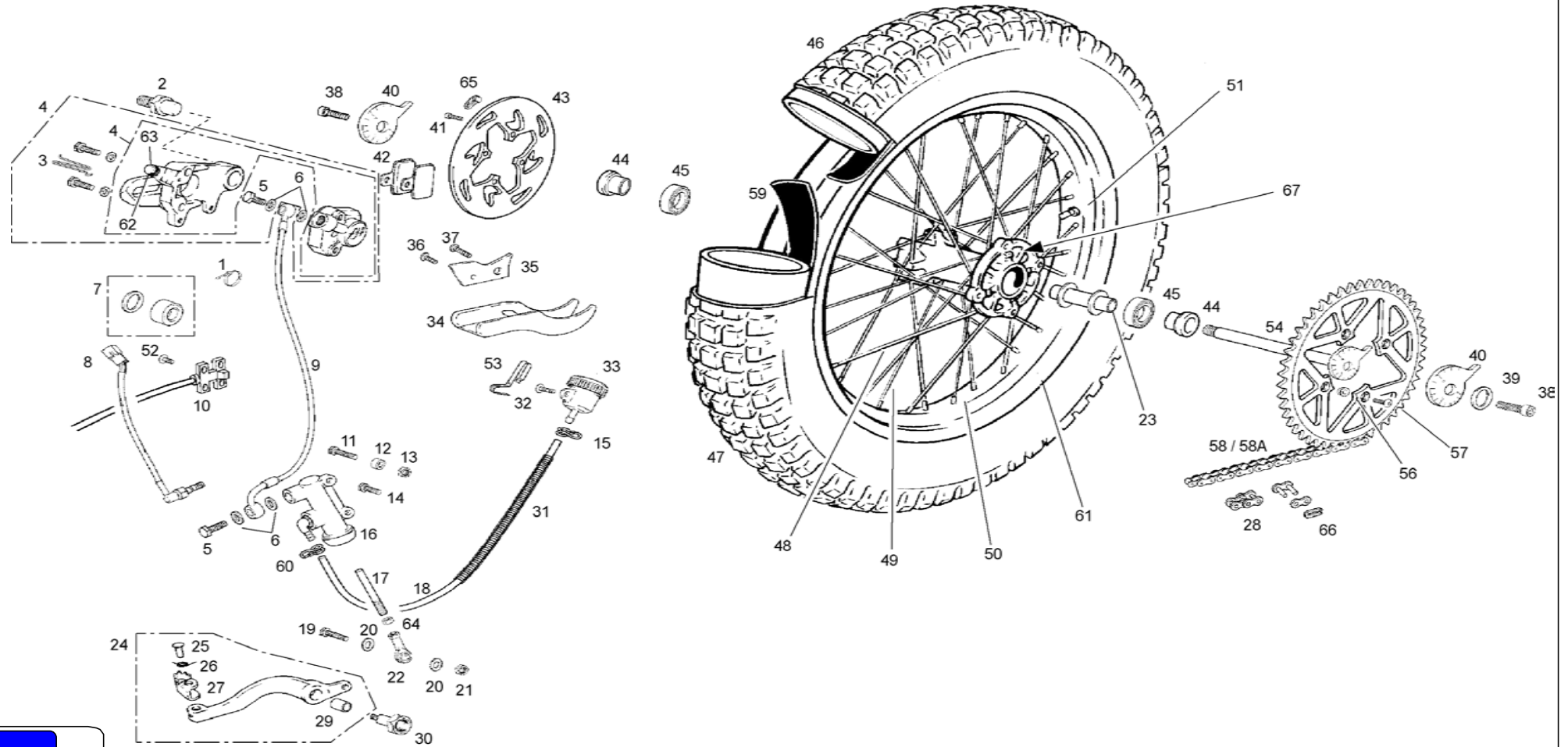
GAS GAS

Chasis 10

**Rueda trasera /
Rear wheel**

GAS GAS

TXT PRO 2007



Nº	DESCRIPCION / DESCRIPTION	125	200	250 / 280	300	Cant.
34	PROTECTOR DISCO TRASERO 2001 / BRAKE DISC PROTECTOR	-	-	BT280128012	-	1
35	SOPORTE PROTECTOR DISCO TRASERO / BRAKE DISC PROTECTOR SUPPORT	-	-	BT280222051	-	1
36	ULS 5X12 / 5X12 ULS	-	-	T0505012	-	1
37	TORNILLO ULS 6X20 / 6X20 ULS BOLT	-	-	T0506020	-	1
38	TORNILLO EJE RUEDA TRASERA / REAR WHEEL AXLE BOLT	-	-	BT280718023	-	1
39	ARANDELA EJE TRASERO 17X30X1,5 DIN 137 / REAR WASHER	-	-	BT280436014	-	1
40	EXCÉNTRICA TRASERA IZQ. / LEFT REAR SAIL CAM ADJUSTER	-	-	BT280718022L	-	1
41	ALLEN 6X18 / 6X18 SCREW	-	-	T0206020	-	2
42	PASTILLA FRENO TRASERA / REAR BRAKE PADS	-	-	BT280222068	-	2
43	DISCO FRENO TRASERO TRIAL 2003 / REAR BRAKE DISK	-	-	BT280322012	-	1
44	DISTANCIADOR RUEDA TRASERA 7.5MM / REAR SPACER WHEEL	-	-	BT280218021	-	1
45	COJINETE 6004 / BEARING	-	-	C160001	-	1
46	CUBIERTA TRASERA 400X18 TBLS / REAR WHEEL TYRE	-	-	N200100	-	1
47	RUEDA TRASERA TRIAL / TRIAL REAR WHEEL	-	-	BT280318100	-	1
48	RADIO 3.4X220 RUEDA TRASERA TRIAL / REAR SPOKE	-	-	BRT500118014	-	16
49	RADIO 3.4X215 RUEDA TRASERA TRIAL / REAR SPOKE	-	-	BRT500118015	-	16
50	TUERCA RADIOS 3.5MM. RUEDA TRASERA / REAR SPOKE NUT	-	-	BT27718016	-	32
51	VÁLVULA / AIR VALVE	-	-	N200110	-	1
52	ULS 6X10 / 6X10 ULS	-	-	T0506010	-	1
53	SOPORTE DEPÓSITO LÍQUIDO DE FRENO / BRAKE FLUID TANK SUPPORT	-	-	BT280410943	-	1
54	CTO. EJE RUEDA TRASERA CON EXCENTRICA / REAR WHEEL AXLE SET WITH CAM ADJUSTER	-	-	BT280718020CT	-	1
55	CORONA TRIAL SXX1 / SPROCKET	-	-	BT280218034	-	1
55A	CORONA Z43 / SPROCKET	-	-	BT280218024	-	1
55B	CORONA Z41 / SPROCKET	-	-	BT280318024	-	1
55C	CORONA Z44 / SPROCKET	-	-	BT120218034	-	1
55D	CORONA Z46 / SPROCKET	-	-	BT200218034	-	1
55E	CORONA Z48 / SPROCKET	-	-	BT120518034	-	1
55F	CORONA Z42 GOLD / SRPOCKETT	-	-	BT280218034AM	-	1
55G	CORONA RENTHAL / RENTHAL SPROCKET	-	-	BT280718034	BT280718034	1
56	TUERCA AUTOBLOCANTE M8 BAJA / LOW SELF-LOCK NUT	-	-	T2108001	-	1
57	ULS 8X20 PLAT. PROT. / 8X20 ULS	-	-	T0508022	-	1
58	CADENA TRIAL / TRIAL CHAIN	-	-	BT280310036	-	1
58A	CADENA TRIAL 520 RXL 104 PASOS / CHAIN	-	-	BT120210036	-	1

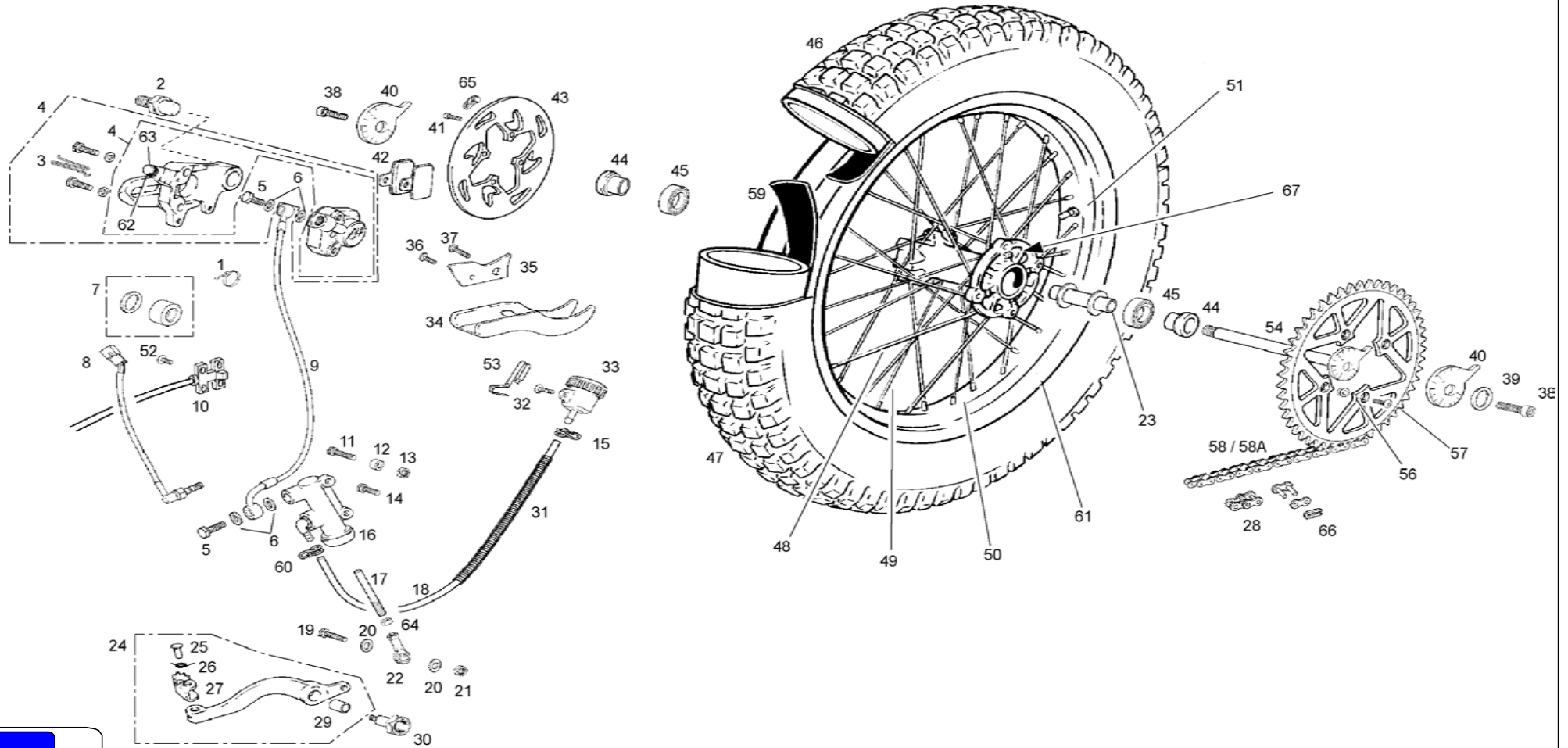
GAS GAS

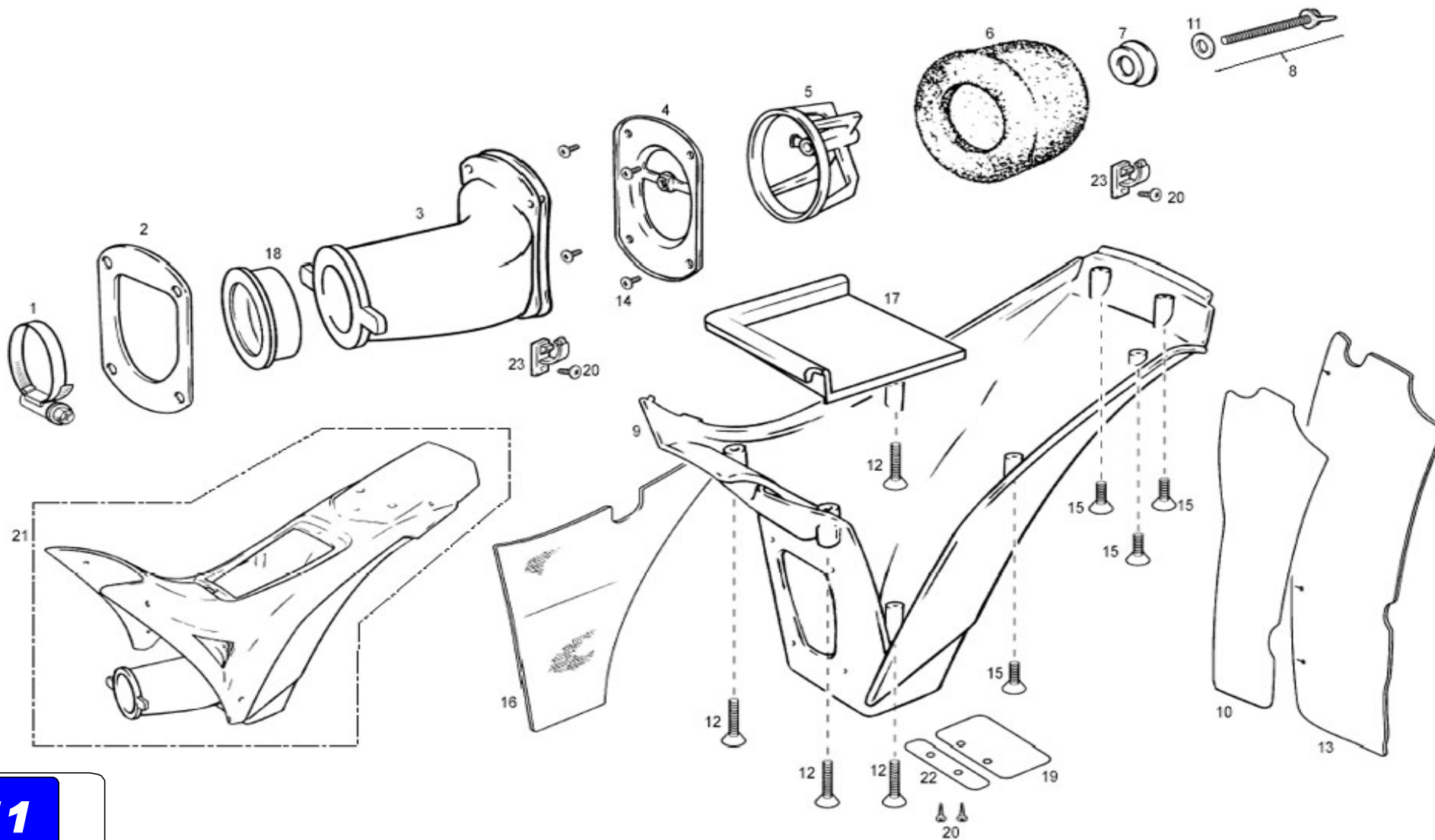
Chasis 10

**Rueda trasera /
Rear wheel**

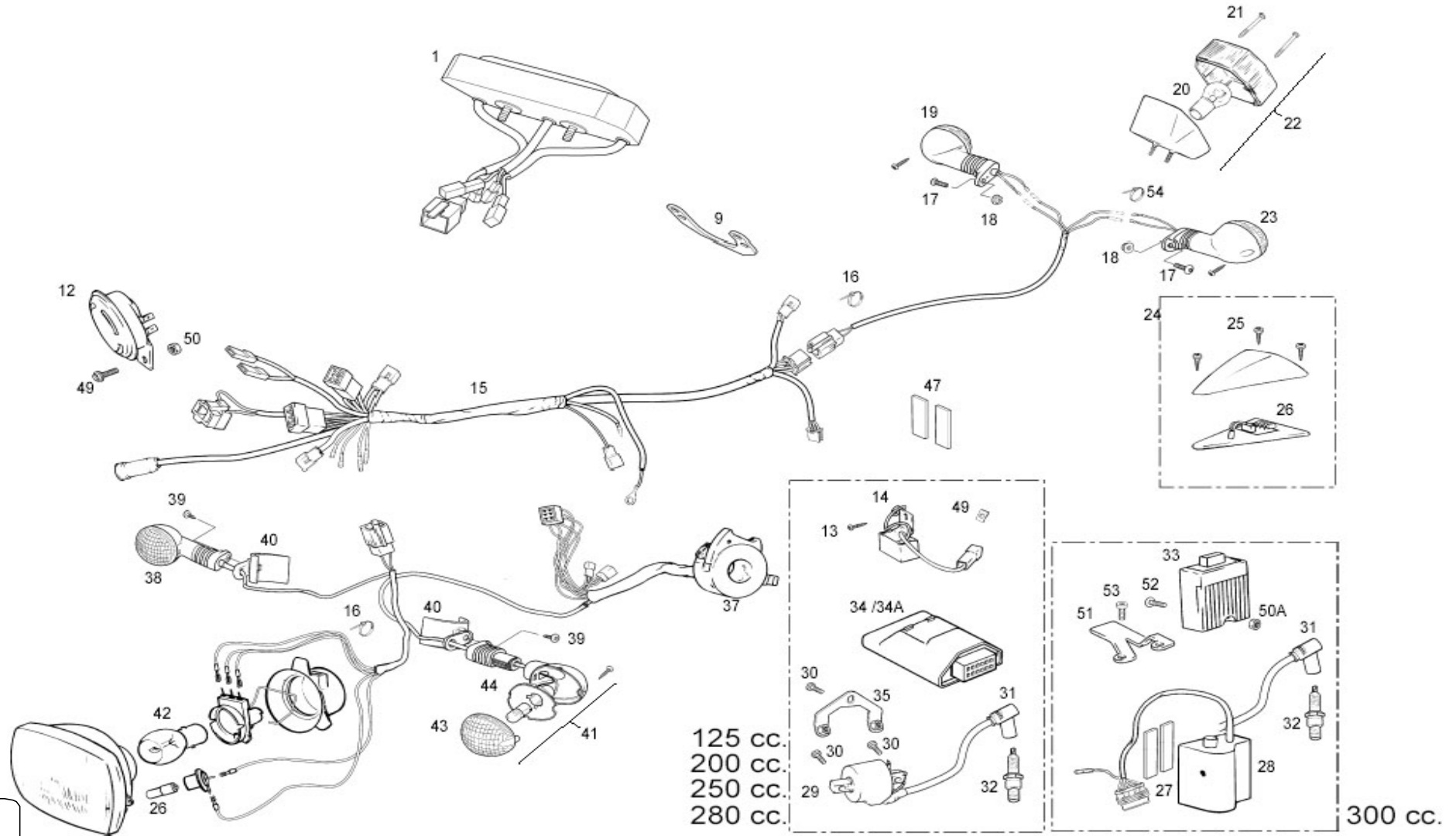
GAS GAS

TXT PRO 2007





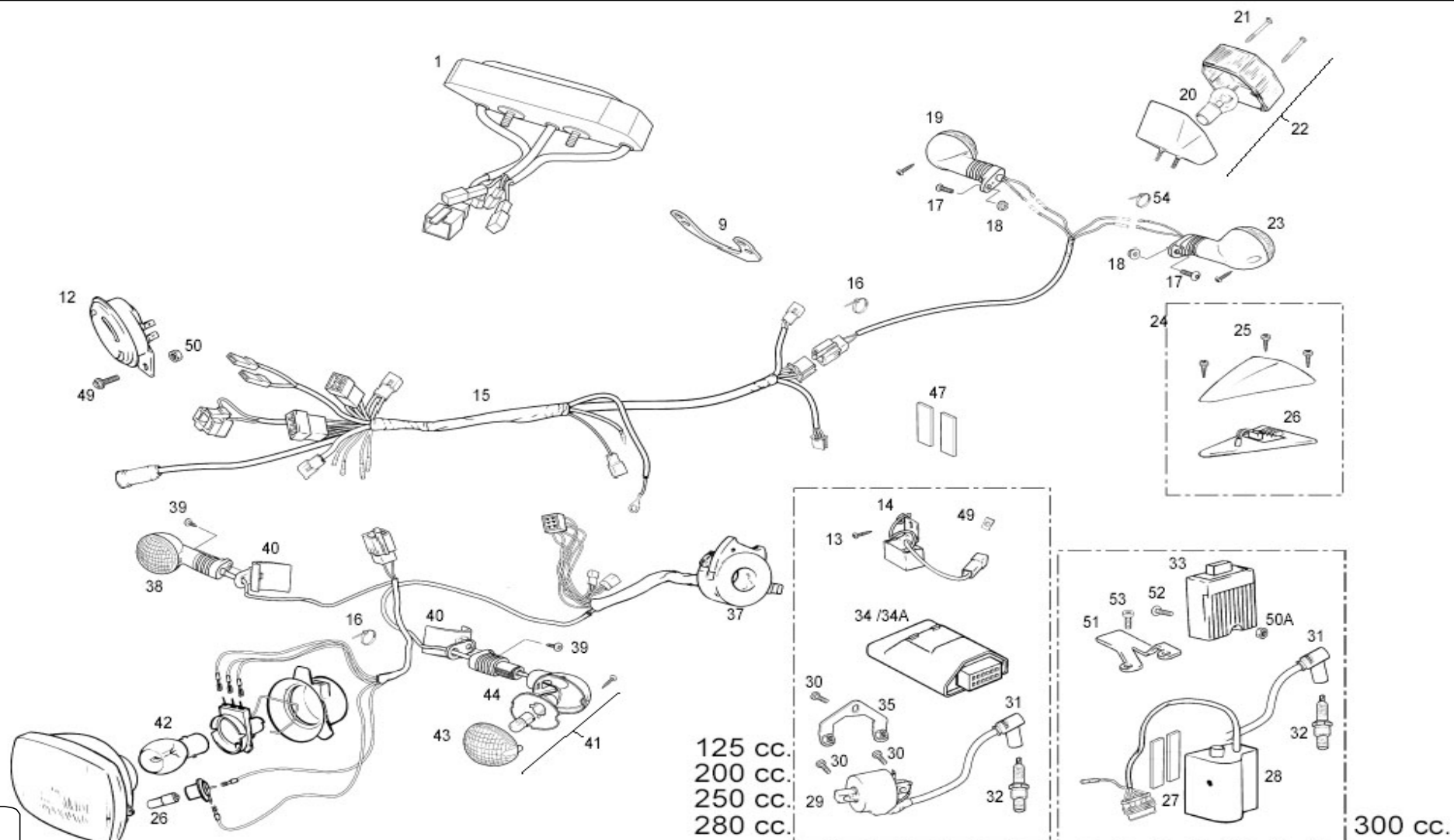
Nº	DESCRIPCION / DESCRIPTION	250 / 280 RO	250 / 280 AZ	Cant.
1	ABRAZADERA S56/9 / CLAMP	MT280316132	-	1
2	PLATINA EXTERIOR SOPORTE JAULA FILTRO TRIAL 2002 / EXTERNAL PLATE	BT280228021	-	1
3	TOBERA CAJA FILTRO TRIAL SXXI / TUBE, AIR CLEANER CONNECT.	BT280328017	-	1
4	PLATINA INTERIOR SOPORTE JAULA FILTRO TRIAL 2002 / INNER PLATE	BT280228020	-	1
5	JAULA FILTRO AIRE TRIAL 280-2002 / AIR CLEANER CAGE	BT280228002	-	1
6	FILTRO AIRE TRIAL XXI / AIR CLEANER	BT280328000	-	1
7	TETÓN ESPUMA FILTRO TRIAL 2002 / AIR CLEANER WASHER	BT280228008	-	1
8	VARILLA FILTRO TRIAL 2002 / AIR CLEANER ROD	BT280228003	-	1
9	CAJA FILTRO TRIAL 2003 / AIR CLEANER BOX	BT280228001	-	1
10	AD. PROTECTOR CAJA FILTRO / AIR CLEANER PROTECTOR SITCKER	BT280428024	-	1
11	ARANDELA / WASHER	T4006016	-	1
12	TORNILLO ROSCA-CHAPA 3,5X30 / 3,5X30 SCREW THREAD	BT280228034	-	4
13	GOMA PROTECCIÓN CAJA FILTRO / AIR CLEANER BOX PROTECTOR RUBBER	BT280420008	-	1
14	ULS 4X10 NEGRO CON ABRAZADERA / ULS 4X10 BOLT	T0554010N	-	4
15	TORNILLO ROSCA-CHAPA 3,5X12 / 3,5X12 SCREW THREAD	BT280228035	-	4
16	ADH. PROTECTOR ESCAPE AMIANTO / EXHAUST PROTECTOR STICKER	BT280238059	-	1
17	GOMA PROTECCIÓN ESPUMA FILTRO / AIR CLEANER PROTECTOR	BT280328036	-	1
18	ADAPTADOR CARBURADOR / CARBURETOR ADAPTER	BT250328040	-	1
19	VÁLVULA VACIADOR CAJA FILTRO TRIAL / TRIAL FILTER BOX VALVE	BT280428032	-	1
20	TORNILLO ROSCA-CHAPA 4,2X10 NEGRO / BLACK 4,2X10 SCREW	T0604210	-	4
21	CTO. CAJA FILTRO TRIAL PRO 2005 / PRO FILTER BOX SET	BT280728001	BT280728001AZ	1
22	PISADOR VÁLVULA VACIADOR CAJA FILTRO / BOX VALVE SUJECTION	BT280428045	-	1
23	PRENSACABLES SR1789 / CABLE TIE SR1789	BT280428006	-	2



Nº	DESCRIPCION / DESCRIPTION	125 / 200 / 250 / 280	300	Cant.
1	MULTIFUNCIÓN TRIAL / TRIAL MULTIFUNCTION	-	BT280634005	1
7	BOMBILLA 12V 1,2-9W / 12V 1,2-9W BULB	-	L300123	3
9	SOPORTE CUENTA KM. / KM. COUNTER SUPPORT	-	BT280634045	1
12	CTO. CLAXON PE40065G11 / HORN ASSY	-	L300105	1
13	TORNILLO ESPECIAL 6X14 / 6X14 SPECIAL SCREW	T0206014	-	1
14	REGULADOR ALTERNADOR / ALTERNATOR REGULATOR	L300031	-	1
15	INSTALACIÓN TRIAL NEGRA 2004	-	BT280634014	1
16	BRIDA UNEX MEDIANA / UNEX CLAMP	-	BE25634009	3
17	ULS 6X16 NEGRO / 6X16 ULS BLACK BOLT	-	T0506016N	2
18	TUERCA CON ARANDELA M6 / M6 NUT WITH WASHER	-	T2206000	2
19	INTERMITENTE DERECHO TRASERO / RIGHT REAR INDICATOR	-	BT2806340/8	1
20	BOMBILLA 12V 5-21W / 12V 5-21W BULB	-	L300116	1
21	CRISTAL FARO TRASERO HOMOLOGADO / HOMOL. REAR LIGHT CAP	-	BP25734115	1
22	FARO PILOTO TRIAL HOMOLOGADO / HOMOL. TRIAL REAR LIGHT SET	-	BP27534015	1
23	INTERMITENTE IZQUIERDO TRASERO / LEFT REAR INDICATOR	-	BT2806340/9	1
24	FARO PILOTO TRIAL / TRIAL REAR LIGHT SET	-	BT27934015	1
25	TORNILLO ROSCA CHAPA 3.5X13 / BOLT 3.5X13	-	T0603513	3
26	LÁMPARA 12V3W BIFARO AM0518 / 12V 3W LAMP	-	L300119	1
27	TIRA ADHESIVA 45MM. CAJA FILTRO EC2003 / STICKER 45MM.	-	BE250328039	2
28	CTO. CDI 432 40 2402 TRIAL PRO RACING / CDI 432	-	MT300434007CT	1
29	BOBINA KOKUSAN IG3815 / KOKUSAN ELECTRIC COIL	M02812110	-	1
30	ALLEN 6X16 / ALLEN 6X16 BOLT	T0306016	-	3
31	PIPA BUJÍA IB05EMH = BT27934000 / SPARK PLUG	-	BT280634000	1
32	BUJÍA BPR5ES / SPARK PLUG	-	M04012000	1
33	REGULADOR RECTIFICADOR DUCATI / REGULATOR	-	MT300534009	1
34	CDI DIGITAL CU77516 TRIAL 125/200 2005 / TRIAL 2005 DIGITAL CDI	MT120534007	-	1
34A	CDI DIGITAL CU7510 TRIAL 250/280 2005 / TRIAL 2005 DIGITAL CDI	MT280534007	-	1
35	SOPORTE BOBINA KOKUSAN TRIAL PRO 2005 / COIL SUPPORT	BT280510941	-	1
36	ALLEN 6X14 / 6X14 ALLEN	T0306014	-	1
37	CONMUTADOR LUZ TT-97 / LIGHT SWITCH	-	BE25734001	1
38	INTERMITENTE DERECHO DELANTERO / FRONT RIGHT INDICATOR	-	BT2806340/8	1
39	TORNILLO PHILIPS ROSCA-CHAPA 6.3x16 NEGRO / 6.3X16 CLACK SCREW	-	T0706316	2
40	SOPORTE INTERMITENTE DELANTERO / FRONT INDICATOR SUPPORT	-	BE250134017	2

GAS GAS

Chasis 12

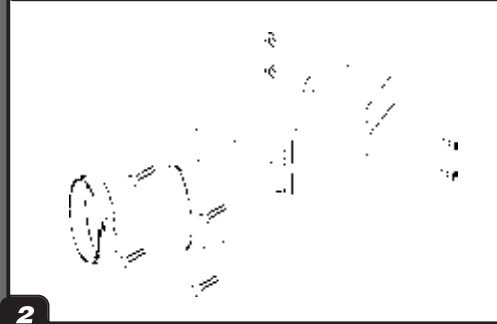


MOTOR /

Cto. Pedal de arranque / Quickstart pedal **CASCAS** **TXT PRO 06**



Caja láminas / Reed valve **CASCAS** **TXT PRO 06**



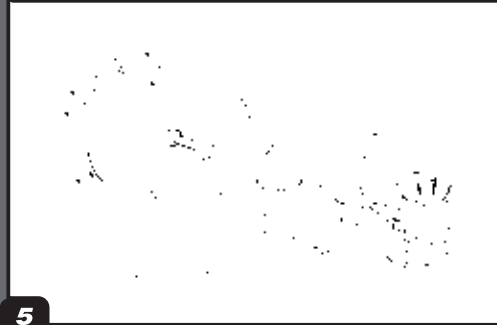
Selector / Shift cam **CASCAS** **TXT PRO 06**



Cárter / Crankcase **CASCAS** **TXT PRO 06**



Encendido / Ignition **CASCAS** **TXT PRO 06**



Cigüeñal / Crankshaft **CASCAS** **TXT PRO 06**
125 / 200



DESPIECE /

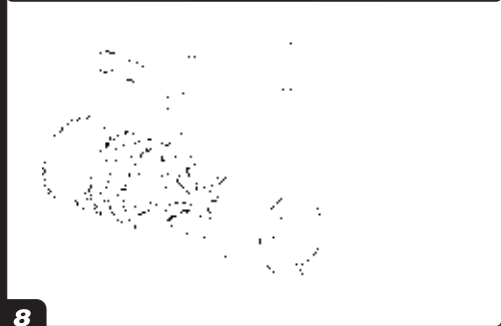
ENGINE

Cigüeñal / Crankshaft **GASGAS** TXT PRO 06
250 / 280 / 300



7

Embrague / Clutch **GASGAS** TXT PRO 06



8

Cilindro / Cylinder **GASGAS** TXT PRO 06



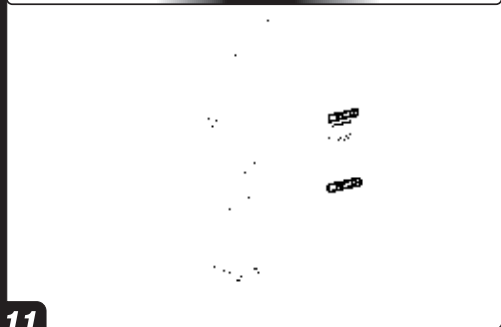
9

Engranajes cambio / Gear set **GASGAS** TXT PRO 06



10

Carburador / Carburetor **GASGAS** TXT PRO 06



11

Bomba de agua / Water pump **GASGAS** TXT PRO 06



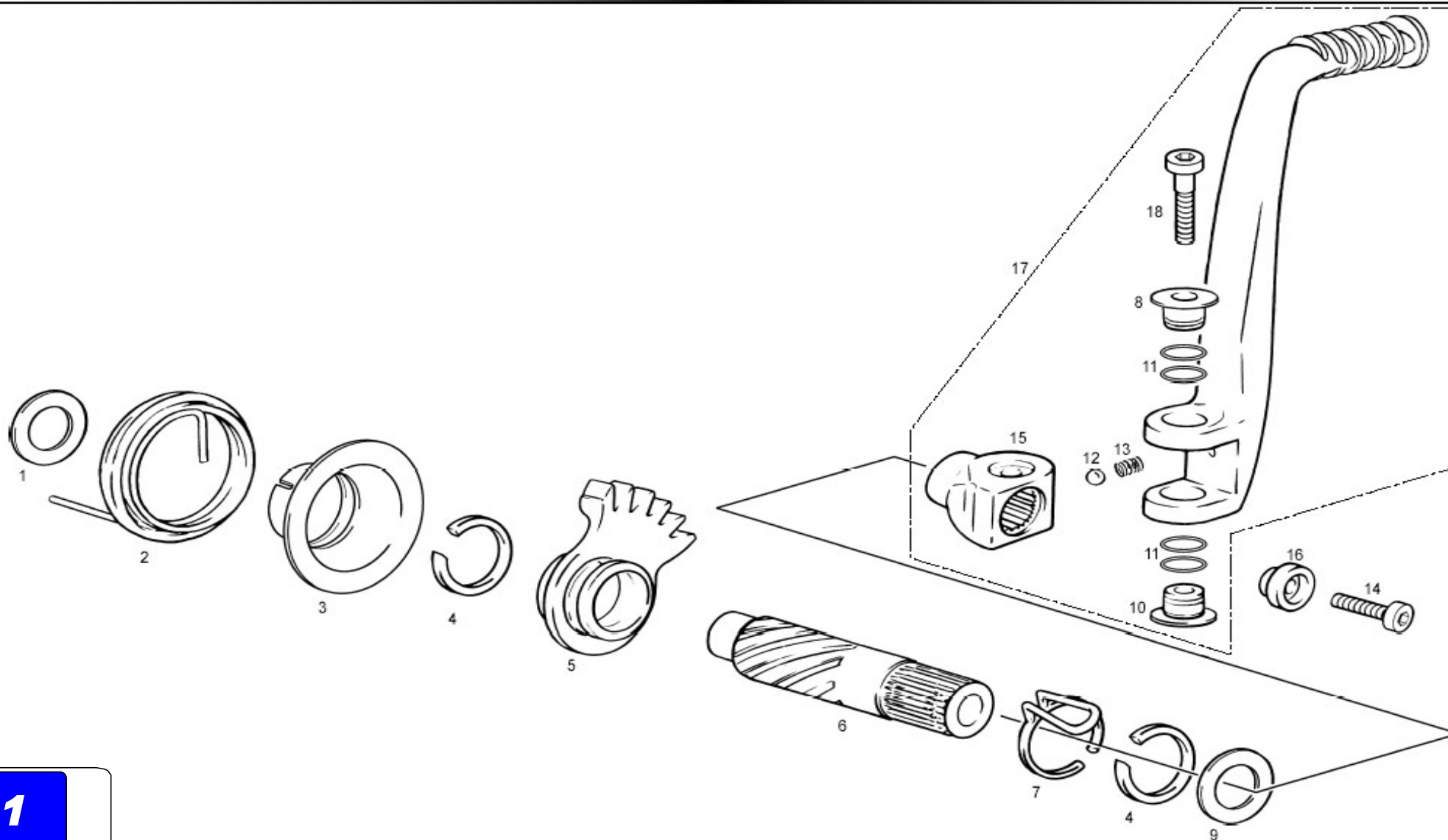
12

PART LIST

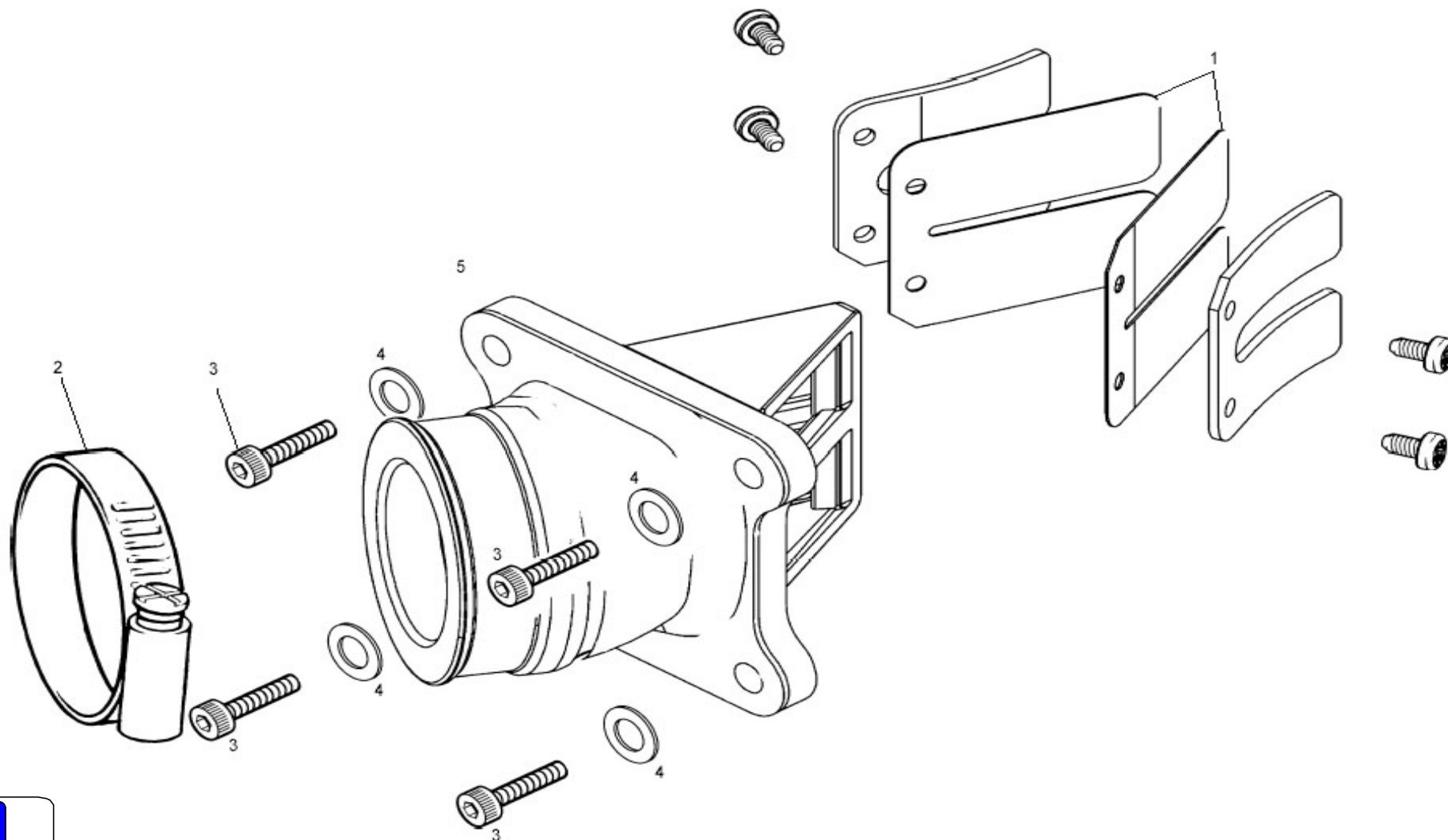
**Conjunto pedal arranque /
Kickstar set Rear wheel**

GAS GAS

TXT PRO 2007



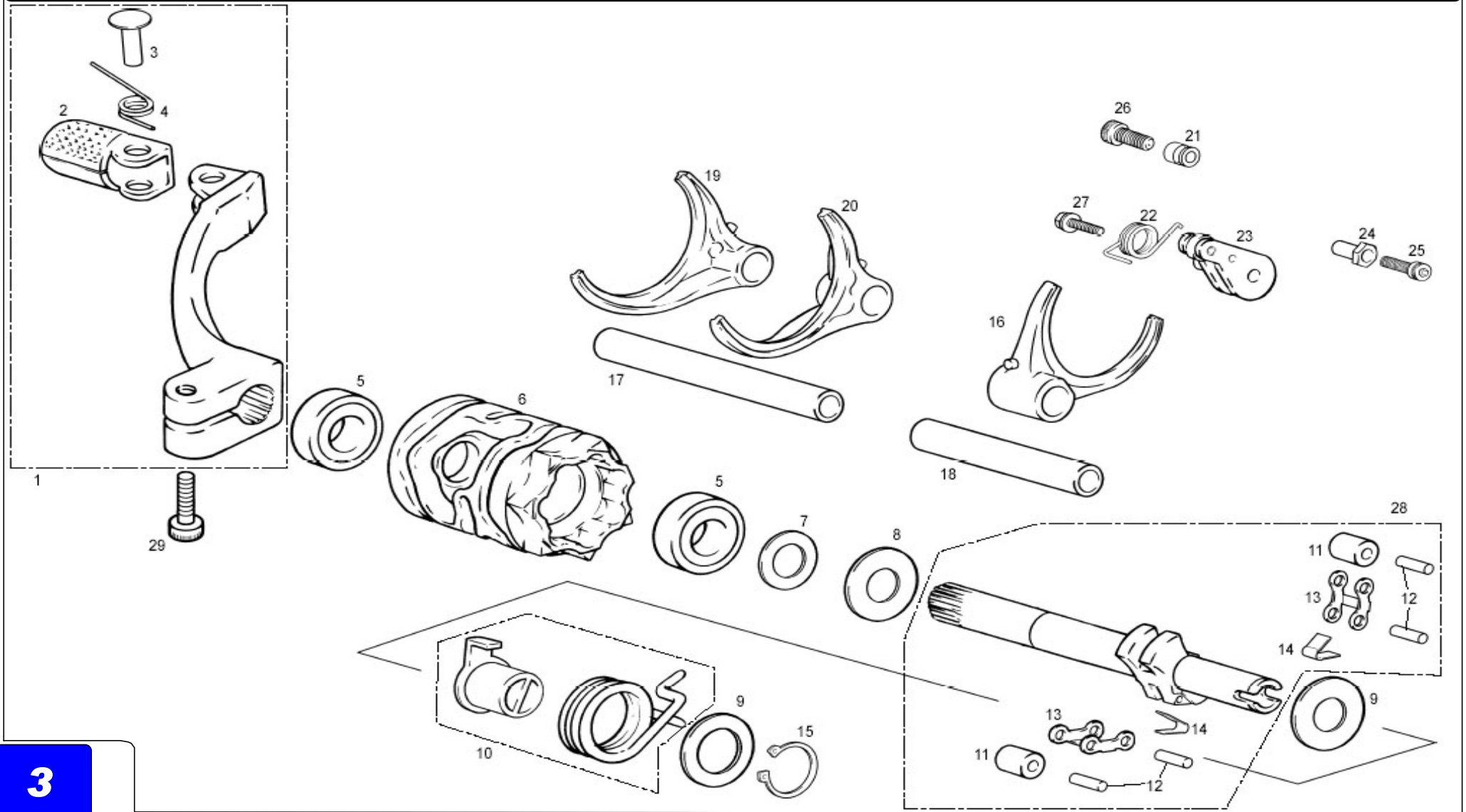
1



**Selector de cambio /
Shift cam**

GAS GAS

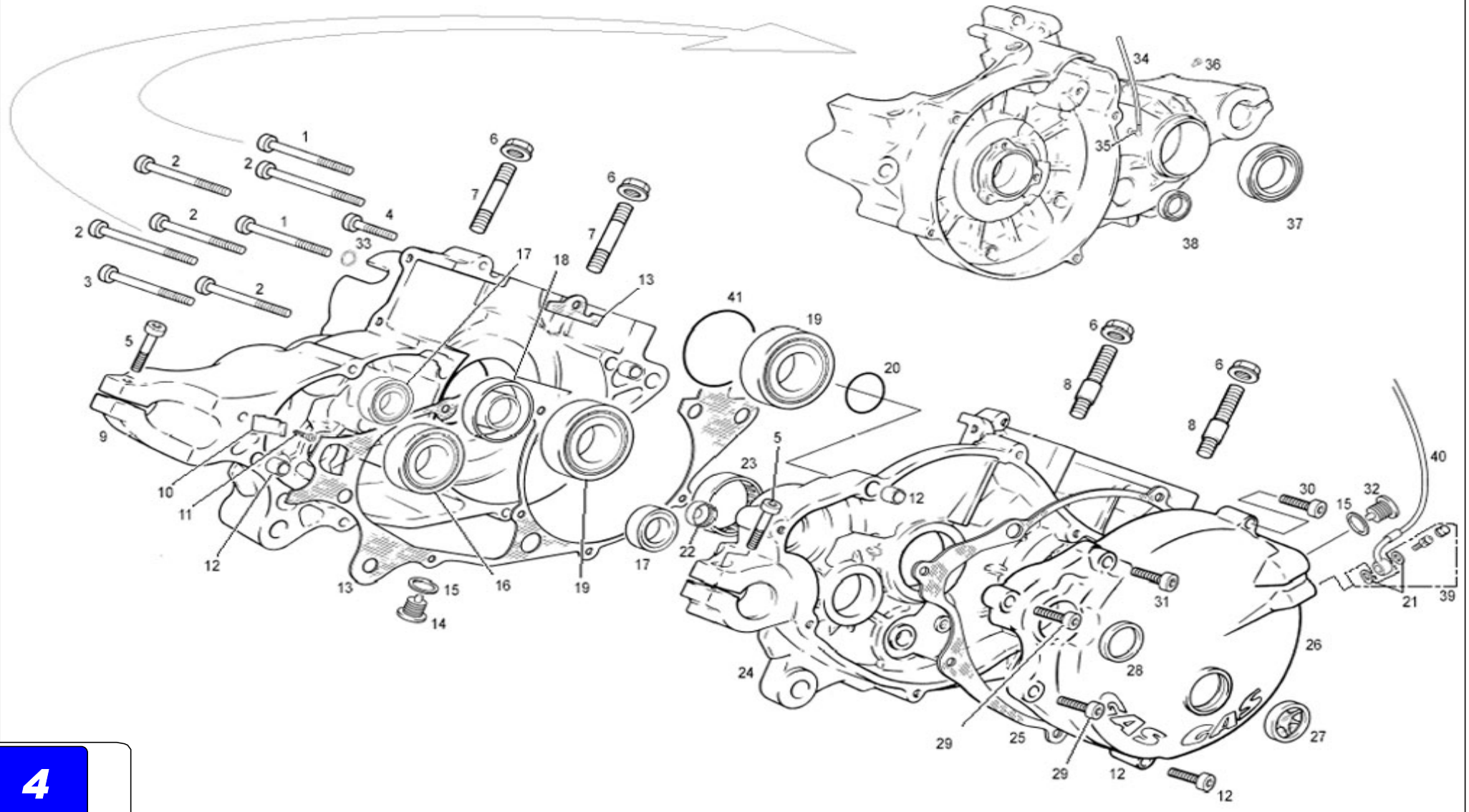
TXT PRO 2007



Nº	DESCRIPCION / DESCRIPTION	PRO2007	Cant.
1	CTO. PEDAL CAMBIO / GEAR PEDAL COMPLETE	MT280238026	1
2	PUNTERA PEDAL CAMBIO / GEAR PEDAL END	ME25636027	1
3	REMACHE PUNTERA CAMBIO / RIVOT PEDAL END	ME25636030	1
4	MUELLE PUNTERA PEDAL CAMBIO / PEDAL END SPRING	M121000	1
5	COJINETE 12X24X6 2Z DESMO / 12X24X6 2Z DESMO BEARING	MT280238032	2
6	DESMODRÓMICO / SHIFT DRUM	MT280238031	1
7	ARANDELA 12,2X18X0,5 / 12,2X18X0,5 WASHER	T4001218	1
8	ARANDELA 12,2X24X0,5 / 12,2X24X0,5 WASHER	T4001224	1
9	ARANDELA 10,2X24X0,5 / 10,2X24X0,5 WASHER	T4011024	2
10	POSICIONADOR Y MUELLE EJE SELECTOR / SHIFT SHAFT CENTER LOCATOR AND SPRING	MT280238037CT	1
11	RODILLO TRINQUETE SELECTOR / RATCHET ROLLER	MT280238040	2
12	AGUJA 3X13,8 / 3X13,8 NEEDLE	MT280238048	4
13	TRINQUETE SELECTOR / RATCHET ARM SELECTOR	MT280238036	2
14	MUELLE TRINQUETE SELECTOR / RATCHET SEL. SPRING	MT280238039	2
15	CIRCLIP E10 EJE / E10 SHAFT CIRCLIP	M03314011	1
16	HORQUILLA PRIMARIA / SHIFT FORK PRIMARY	MT280238009	1
17	EJE HORQUILLA LARGO / LONG FORK SHAFT	MT280238044	1
18	EJE HORQUILLA CORTO / SHORT FORK SHAFT	MT280238045	1
19	HORQUILLA 2-4-5-6 / 2-4-5-6 FORK	MT280238007	1
20	HORQUILLA 1-3 / 1-3 FORK	MT280238008	1
21	TOPE MUELLE FIJADOR / SPRING REST POST	MT280238049	1
22	MUELLE FIJADOR MARCHAS / GEAR SELECTOR SPRING	MT280238034	1
23	FIJADOR MARCHAS / GEAR SELECTOR ARM AND ROLLER	MT280238033	1
24	TOPE MUELLE EJE SELECTOR / SELECTOR SPRING TOP SHAFT	MT280238050	1
25	ALLEN 5X25 DACROMET / 5X25 DACROMET ALLEN BOLT	T0305025	1
26	ALLEN 5X20 / 5X20 ALLEN	T0305020	1
27	HEXAGONAL 5X25 CON ARANDELA / HEXAGONAL BOLT WITH WASHER	BT280010086	1
28	CONJUNTO EJE SELCTOR / SHIFT SHAFT SET	MT2802380043	1
29	ALLEN 5X15 / 5X15 ALLEN	T0305015	1

GAS GAS

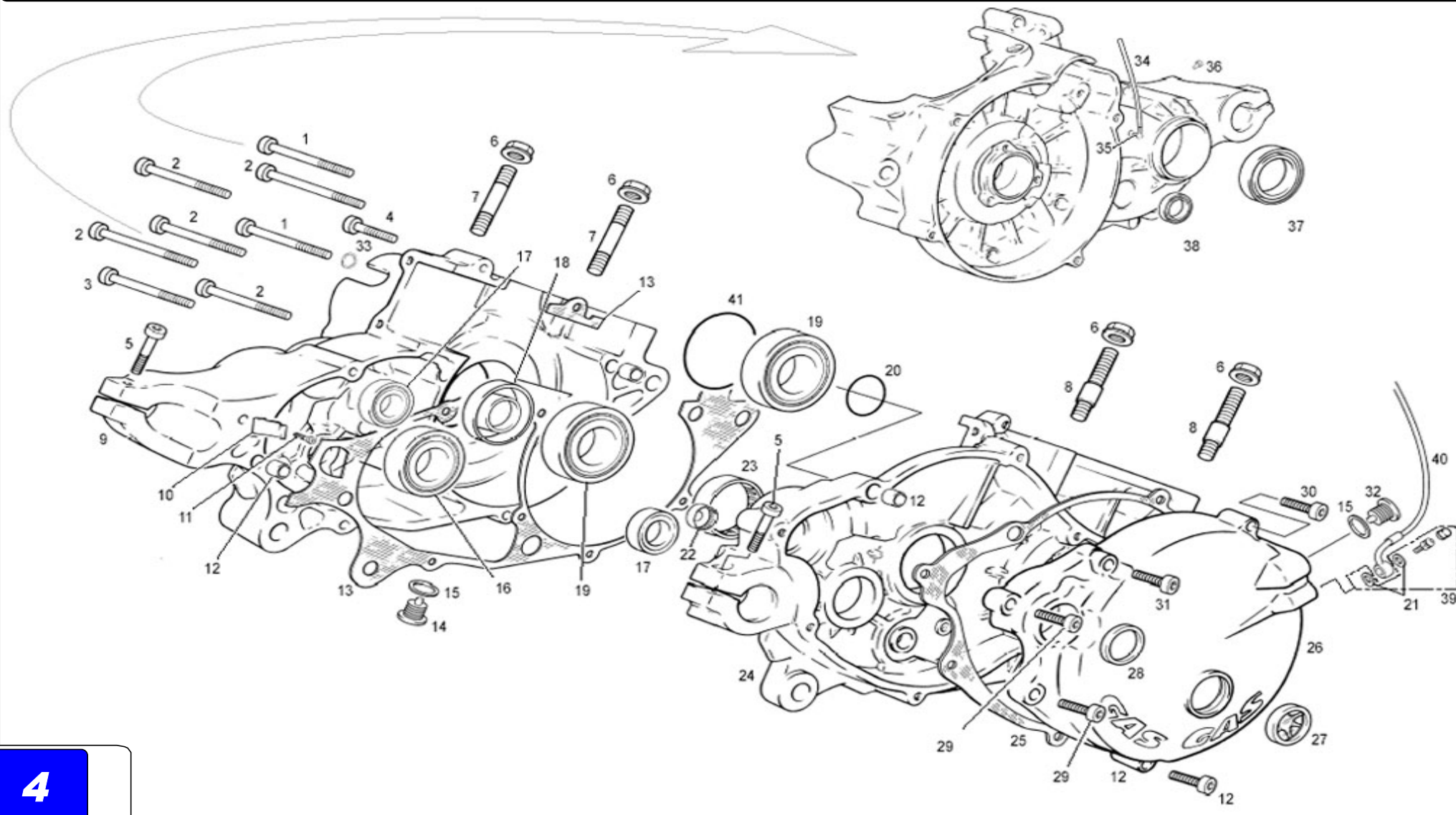
Motor 3

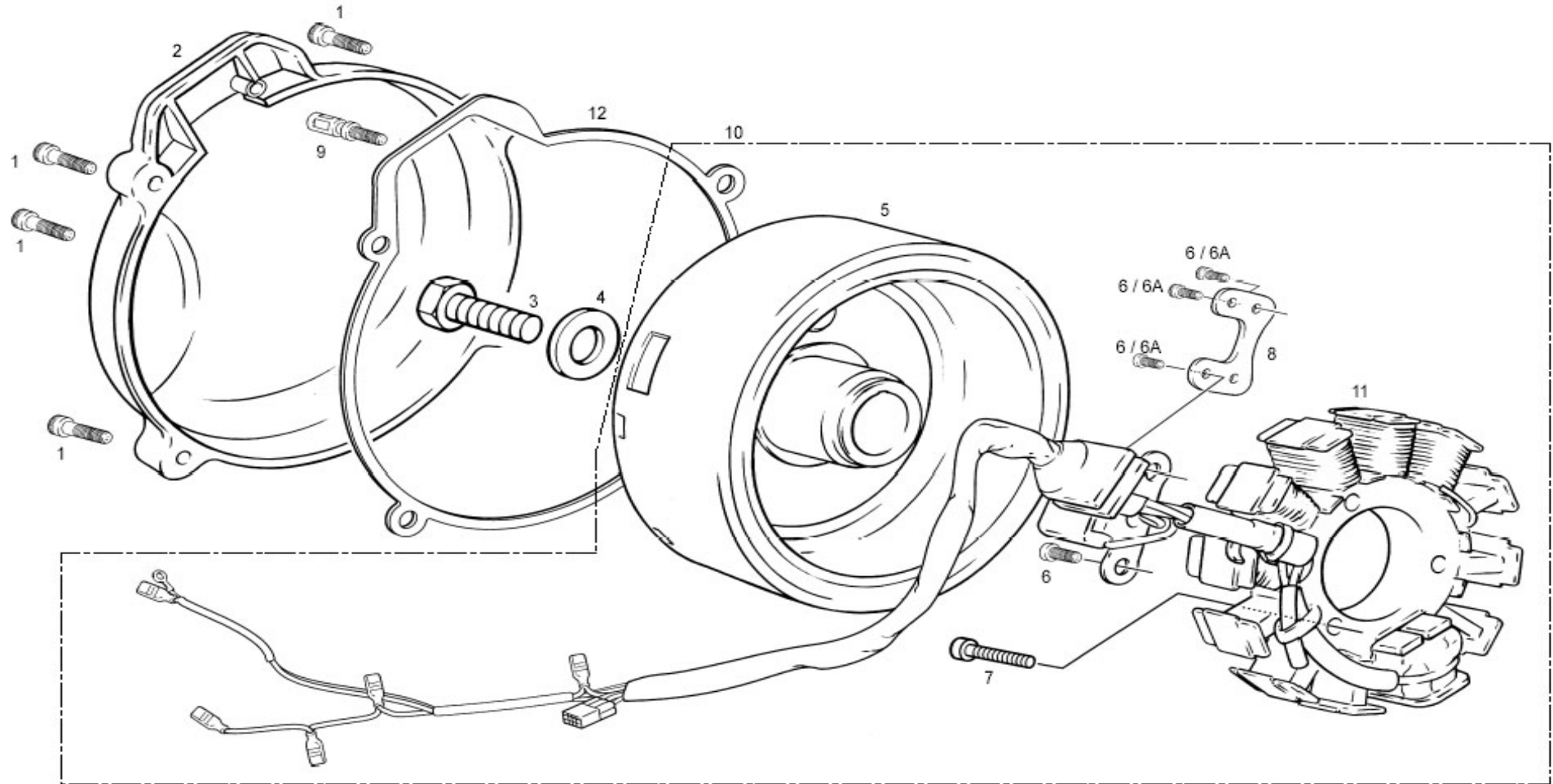


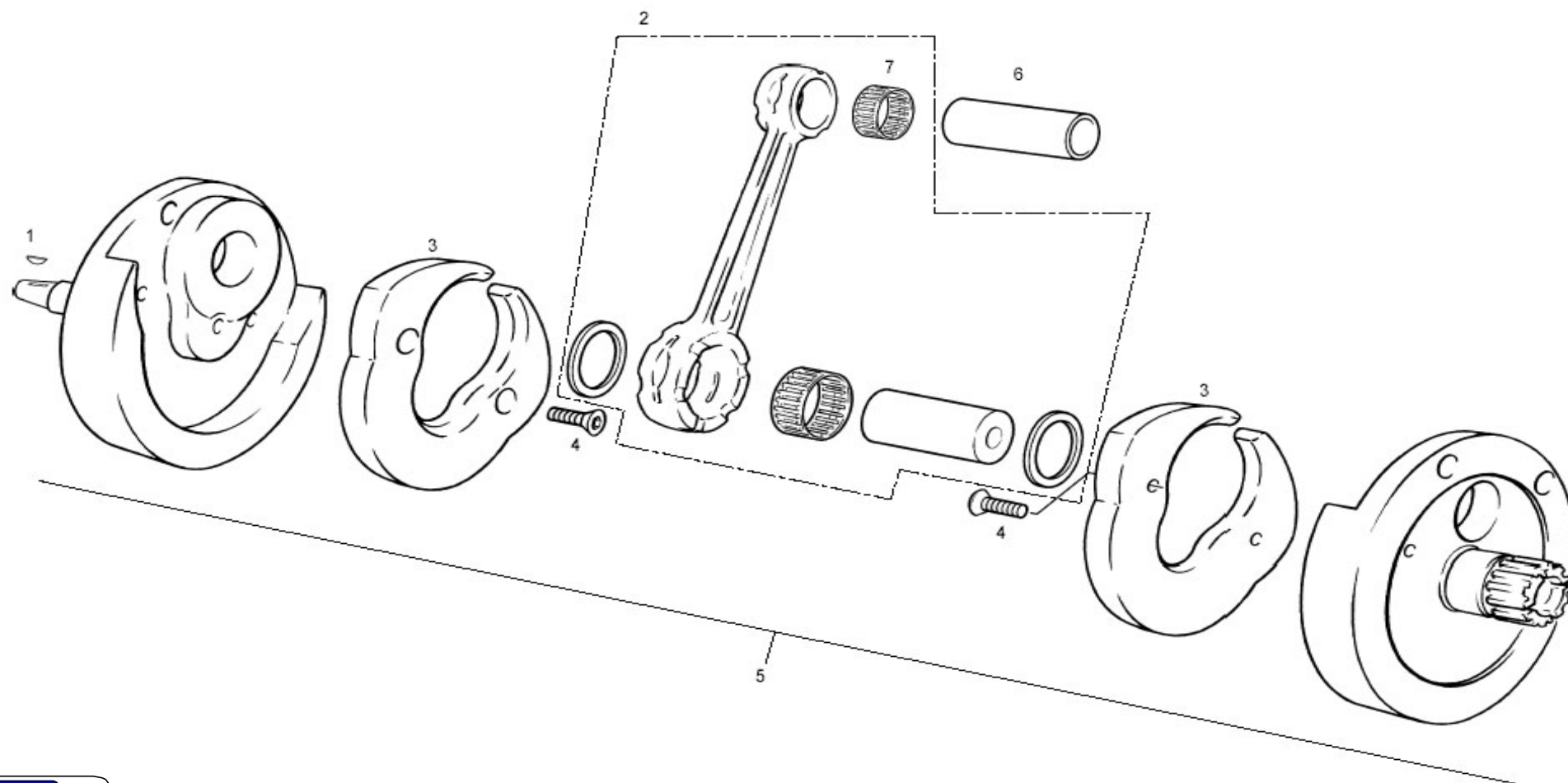
Nº	DESCRIPCION / DESCRIPTION	PRO2007	Cant.
1	ALLEN 5X65 ZINCADO NEGRO / 5X65 BLACK ALLEN BOLT	T0315065	2
2	ALLEN 5X55 ZINCADO NEGRO / 5X55 BLACK ALLEN BOLT	T0305055	5
3	ALLEN 5X75 ZINCADO NEGRO / 5X75 BLACK ALLEN BOLT	T0315075	1
4	ALLEN 5X35 DACROMET / 5X35 DACROMET ALLEN BOLT	T0305035	1
5	ALLEN 5X20 DACROMET / 5X20 DACROMET ALLEN BOLT	T0305020	2
6	TUERCA CILINDRO 8.8 ESP / CILINDER NUT	M01613001	4
7	ESPÁRRAGO CILINDRO / BASE STUD CYLINDER LEFT	MT280216023	2
8	ESPÁRRAGO CON CENTRAJE / BASE STUD CYLINDER RIGHT	MT280216056	2
9	CÁRTER MG. IZQUIERDO TRIAL 2003 / LEFT CRANKCASE HALF	MT280710001	1
10	TOPE ARRANQUE TRIAL / STOP KICKSTART PEDAL	MT280226011	1
11	ALLEN 5X15 DACROMET / 5X15 DACROMET ALLEN BOLT	T0305015	1
12	CASQUILLO CENTRADOR CÁRTER 6X9X14 / CRANKCASE BUSHING	M01017000	4
13	JUNTA CÁRTER CENTRAL 0.2 MM / CENTER CRANKCASE GASKET	MT280344001	1
14	TAPÓN VACIADO ACEITE CON IMÁN / MAGNETIC OIL DRAIN PLUG	ME25610017	1
15	ARANDELA TIPO BUJÍA 12X18X2 / WASHER	MT280410030	2
16	COJINETE 25X47X12 / 25X47X12 BEARING	MT280236159	1
17	COJINETE 15X32X9 6002 2RSL CAMBIO	MT280236160	2
18	RETÉN 25X35X7 TEFLÓN CIGUEÑAL IZQUIERDO / OIL SEAL CRANK SHAFT	MT280212009	1
19	COJINETE CIGUEÑAL ST5225 / ST5225 CRANKSHAFT BEARING	MT280412006	2
20	TÓRICA 25X1.5 NBR / O'RING	MT280212025	2
21	ARANDELA AM 10X14X1.5 / WASHER	BT280422007	2
22	COJINETE BK1412 ARRANQUE TRIAL / KICKSTART BEARING	MT280226067	1
23	COJINETE 35X45X12 NQ (EJE PRIMARIO) / 35X45X12 BEARING	MT280236158	1
24	CÁRTER MG DERECHO TRIAL 2003 / RIGHT CRANKCASE	MT280710000	1
25	JUNTA TAPA EMBRAGUE / CLUTCH COVER GASKET	MT280244002	1
26	TAPA EMBRAGUE MG TRIAL / CLUTCH COVER	MT280732001	1
27	VISOR NIVEL ACEITE EC400-4T / OIL LEVEL SIGHT GLASS	MFS400110015	1
28	RETÉN 18-24-4 TRIAL 2002 / 18-24-4 4 KICKSTART SHAFT SEAL	MT280226016	1
29	ALLEN 5X25 DACROMET / 5X25 DACROMET ALLEN BOLT	T0305025	2
30	ALLEN 5X30 DACROMET / 5X30 DACROMET ALLEN BOLT	T0305030	2
31	ALLEN 5X40 DACROMET / 5X40 DACROMET ALLEN BOLT	T0305040	1
32	TAPÓN LLENADO ACEITE / OIL FILL PLUG	M01016002	1
33	ARANDELA 5X9X1,5 COBRE / 5X9X1,5 WASHER	T4000509	1

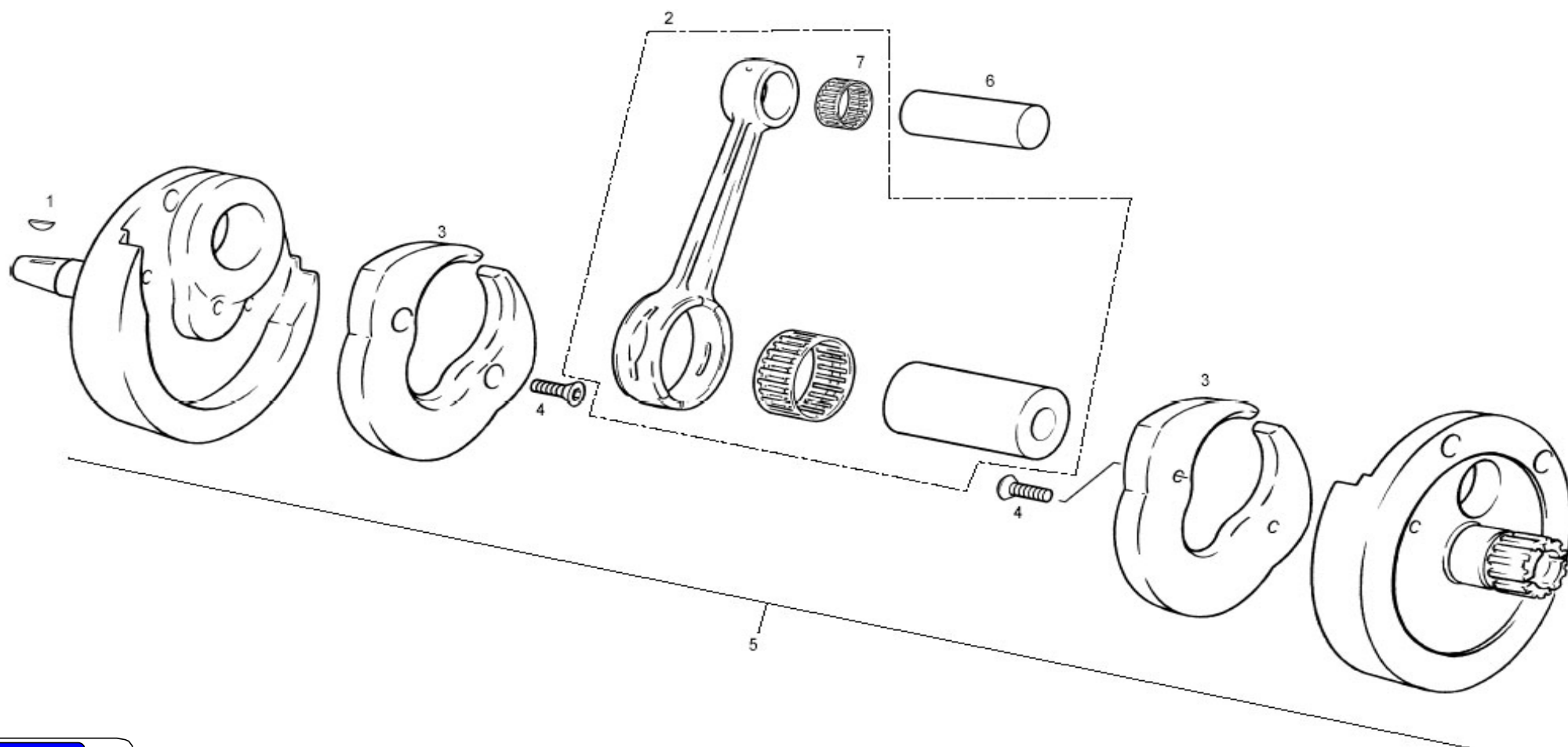
GAS GAS

Motor 4



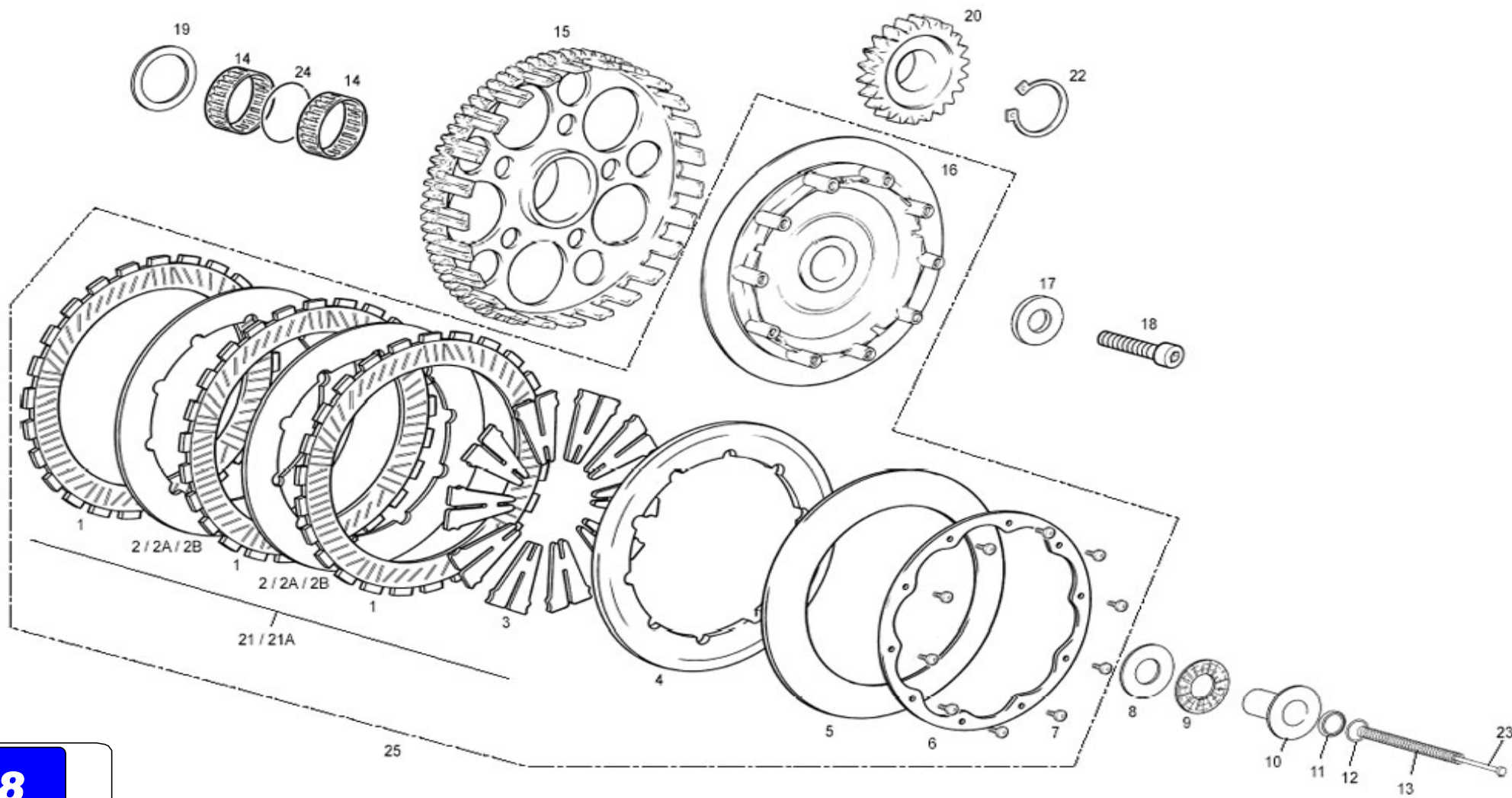






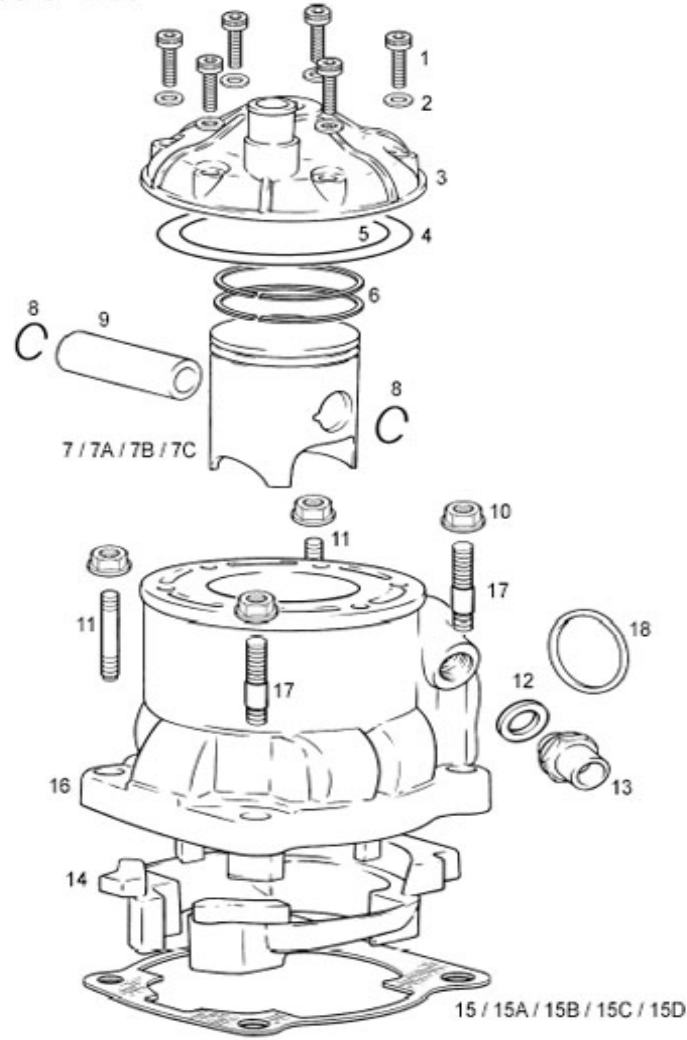
Nº	DESCRIPCION / DESCRIPTION	250 / 280 / 300	Cant.
1	CHAVETA D10X3X3.7 TRIAL 2002 / D10X3X3.7 KEY	MT280234016	1
2	CONJUNTO BIELA / CONNECTING ROD KIT, REPAIR	MT280212100	1
3	NYLON CONTRAPESO / CONTERWEIGHT NYLON	MT280212021	2
4	ALLEN CÓNICO UN15933 M6X16 / ALLEN BOLT	T0406016	4
5	CTO. CIGÜEÑAL TRIAL SXXI / CRANK SHAFT ASSEMBLY COMPLETE	MT280212000	1
6	BULÓN PISTÓN TRIAL / PIN TRIAL PISTON	MT280216125	1
7	COJINETE PIE DE BIELA / NEEDLES BEARING	ME25616035	1

GAS GAS *Motor 7*

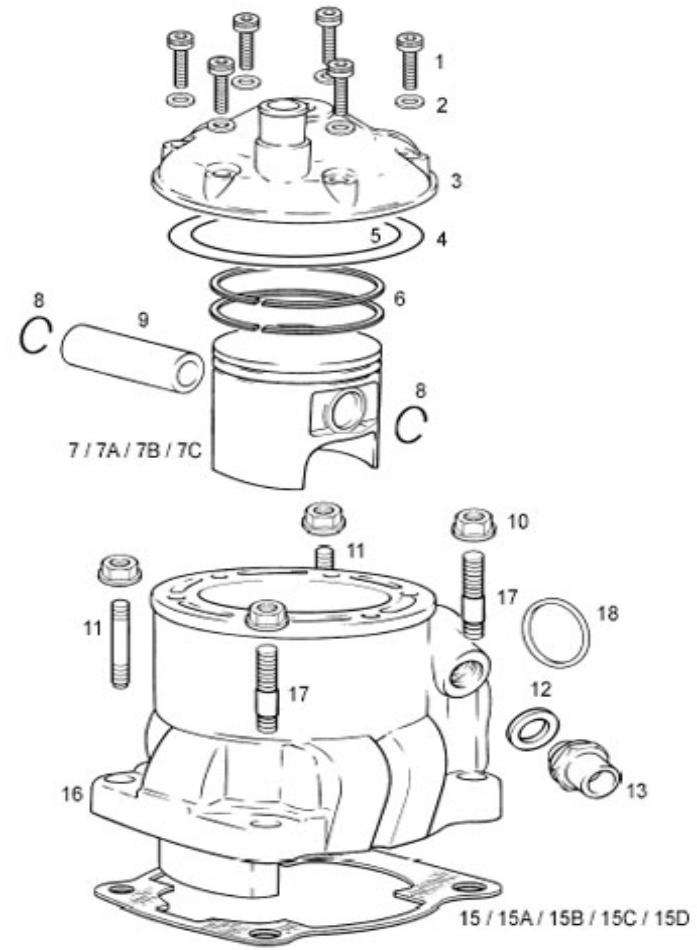


Nº	DESCRIPCION / DESCRIPTION	125 / 200	250 / 280	Cant.
1	DISCO EMBRAGUE FORRADO TRIAL SXXI / CLUTCH DISC FIBER	-	MT280232051	3
2	DISCO ACERO EMBRAGUE TRIAL 1.5 / CLUTCH DISC STEEL 1.5	-	MT280232050	2
2A	DISCO ACERO EMBRAGUE TRIAL 1.3 / CLUTCH DISC STEEL 1.3	-	MT280232050/3	1
2B	DISCO ACERO EMBRAGUE TRIAL 1.4 / CLUTCH DISC STEEL 1.4	-	MT280232050/4	1
3	DESMULTIPLICADOR EMBRAGUE TRIAL / CLUTCH RELEASE ARM	-	MT280632070	10
4	PRENSA EMBRAGUE TRIAL SXXI / PRESSURE PLATE	-	MT280632006	1
5	MUELLE EMBRAGUE TRIAL / CLUTCH SPRING	-	MT280632015	1
6	SOPORTE MUELLE EMBRAGUE / CLUTCH SPRING SUPPORT PLATE	MT120632045	MT280632045	1
7	ULS ESPECIAL PRENSA 4X10 / PRESSURE PLATE ULS BOLT	-	MT280332077	10
8	BOLET EMBRAGUE TRIAL 2003 / BEARING PLATE	-	MT280332014	1
9	COJINETE PRENSA EMBRAGUE AXK 17X30X2 / BEARING, CLUTCH END PLATE	-	MT280232043	1
10	PISTÓN BOMBIN EMBRAGUE TRIAL 2003 / CLUTCH PUMP PISTON	-	MT280332040	1
11	COPELA D14,28 SBR TRIAL / TRIAL COPELA D14,28 SBR	-	MT280532049	1
12	TÓRICA FKM / FKM O'RING	-	MT280432047	1
13	MUELLE PISTÓN EMBRAGUE TRIAL SXXI / CLUTCH PISTON SPRING	-	MT280332018	1
14	COJINETE G95 CORONA EMBRAGUE / CLUTCH BEARING	-	MT280432039	2
15	CORONA EMBRAGUE TRIAL SXXI / HELICAL GEAR ASSY.	-	MT280232003	1
16	CUBO EMBRAGUE SXXI / CLUTCH HUB	-	MT280632005CT	1
17	CASQUILLO SUJECIÓN EMBRAGUE / CLUTCH HUB BUSHING	-	MT280232080	1
18	ALLEN UFK 5X20 SUJECIÓN CUBO TRIAL 280 / CLUTCH HUB BOLT	-	MT280232081	1
19	ARANDELA 30.2X38X0.5 EMBRAGUE / CLUTCH WASHER	-	T4003038	1
20	PIÑÓN TRANSMISIÓN PRIMARIA / PRIMARY TRANSMISION GEAR	-	MT280212004	1
21	CTO. DISCOS EMBRAGUE TRIAL 2002 / 2002 CLUTCH DISC SET COMPLETE	-	MT280232055	1
21A	CTO. DISCOS EMBRAGUE TRIAL 2004 / 2004 CLUTCH DISC SET COMPLETE	-	MT280432055	1
22	CIRCLIP E25 CIGÜEÑAL / CRANKSHAFT E25 CIRCLIP	-	MT280212023	1
23	GUÍA MUELLE PISTÓN / PISTON SPRING GUIDE	-	MT280432065	1
24	CIRCLIP CORONA EMBRAGUE / CLUTCH CIRCLIP	-	MT280432139	1
25	CTO. EMBRAGUE TRIAL PRO (HAMBURGUESA) / CLUTCH SET	MT120732069	MT280732069	1

125 cc. / 200 cc.



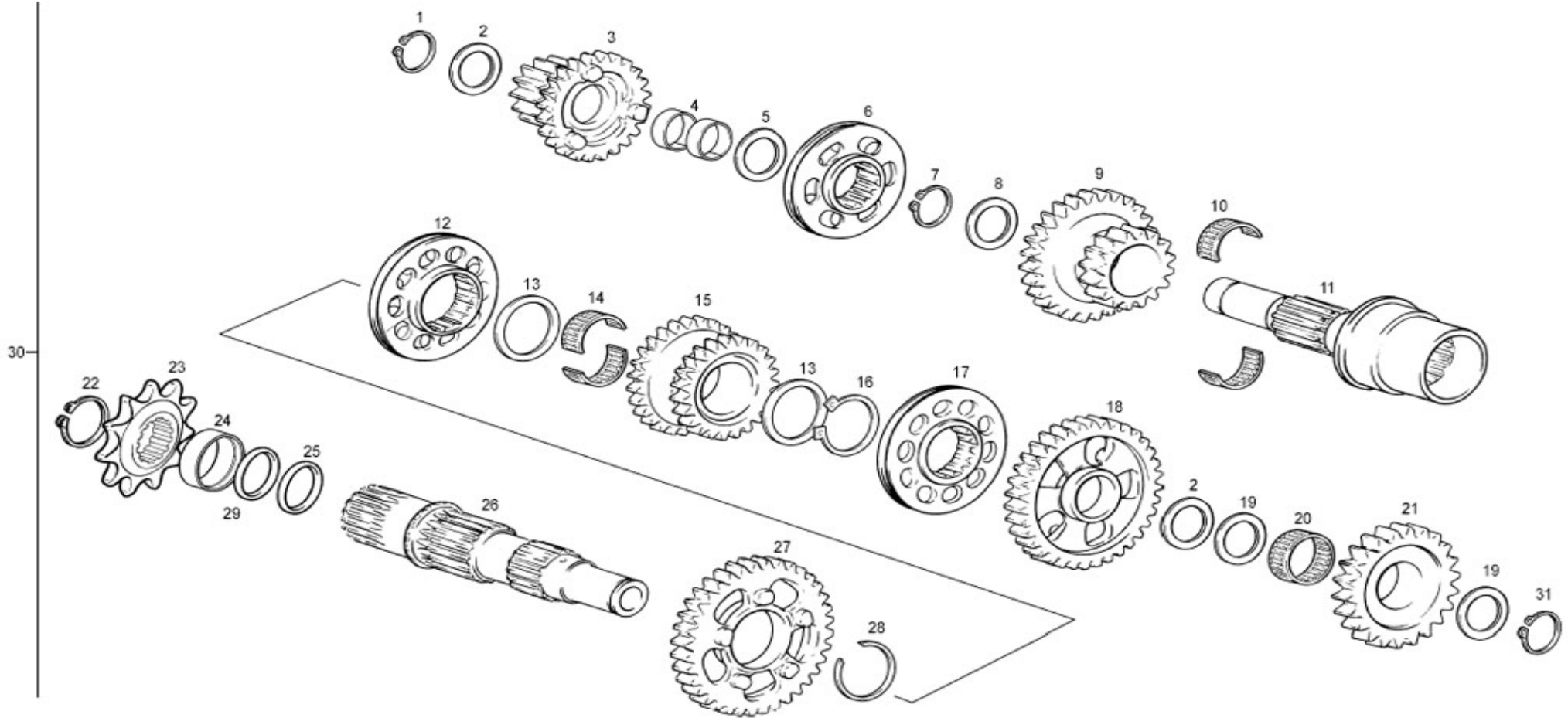
250 cc. / 280 cc. / 300 cc.



Nº	DESCRIPCION / DESCRIPTION	125 / 200	250	280	300	Cant.
1	ALLEN 6X25 / 6X25 ALLEN BOLT	-	-	T0306025	-	6
2	ARANDELA COBRE 6X10X1.5 / 6X10X1.5 WASHER	-	-	T4006008	-	6
3	CULATA TRIAL 2003 / CYL. HEAD	MT120716000	MT250716000	MT280716000	MT300716000	1
4	TÓRICA CULATA EXTERIOR / O'RING CYL. EXTERIOR	ME120116060	-	M01619135	-	1
5	TÓRICA CULATA INTERIOR / O'RING CYL. INTERIOR	ME120116065	M01619215	M01619215	MT300416065	1
6	AROS PISTÓN / PISTON RING	MT120516040	MT250516040	MT280516040	MT300316040	2
7	PISTÓN TRIAL SXXI / PISTON TRIAL	MT120516020	MT250516020	MT280516020	MT300316020	1
7A	PISTÓN LETRA B / PISTON B	MT120516121	MT250516121	MT280516121	MT300316121	1
7B	PISTÓN LETRA C / PISTON C	MT120516122	MT250516122	MT280516122	MT300316122	1
7C	PISTÓN LETRA D / PISTON D	MT120516123	MT250516123	MT280516123	MT300316123	1
8	CIRCLIP PISTÓN / CLIP PISTON	MT120516126	-	ME25616126	-	2
9	BULÓN PISTÓN / PIN PISTON	MT120516125	-	MT280216125	-	1
10	TUERCA CILINDRO / CYLINDER NUT	-	-	M01613001	-	4
11	ESPÁRRAGO CILINDRO / STUD BOLT CYLINDER	-	-	MT280216023	-	2
12	ARANDELA PLANA FIBRA / FIBER WASHER	-	-	M01612026	-	1
13	RACORD CILINDRO / CYLINDER WATER HOSE NECK	-	-	MT280210013	-	1
14	ADAPTADOR CILINDRO / CYLINDER ADAPTER	MT120216087	-	-	-	1
15	JUNTA CILINDRO 0,8 mm. / 0,8 mm. GASKET CYLINDER BASE	-	-	MT28024400	-	1
15A	JUNTA CILINDRO 0,3 mm. / 0,3 mm GASKET CYLINDER BASE	-	-	MT208224009	-	1
15B	JUNTA CILINDRO 1 mm. / 1 mm. GASKET CYLINDER BASE	-	-	MT280244010	-	1
15C	JUNTA CILINDRO 0,5 mm. / 0,5 mm. GASKET CYLINDER BASE	MT120244000	-	-	-	1
15D	JUNTA CILINDRO 0,15 mm. / 0,15 mm. GASKET CYLINDER BASE	-	-	MT280244015	-	1
16	CILINDRO TRIAL / CYLINDER	MT120716022	MT250716022	MT280716022	MT300716022	1
17	ESPÁRRAGO CON CENTRAJE / STUD WITH CENTER	-	-	MT280216056	-	2
18	JUNTA ESCAPE / EXHAUST GASKET	-	-	MT280244012	-	1

GAS GAS

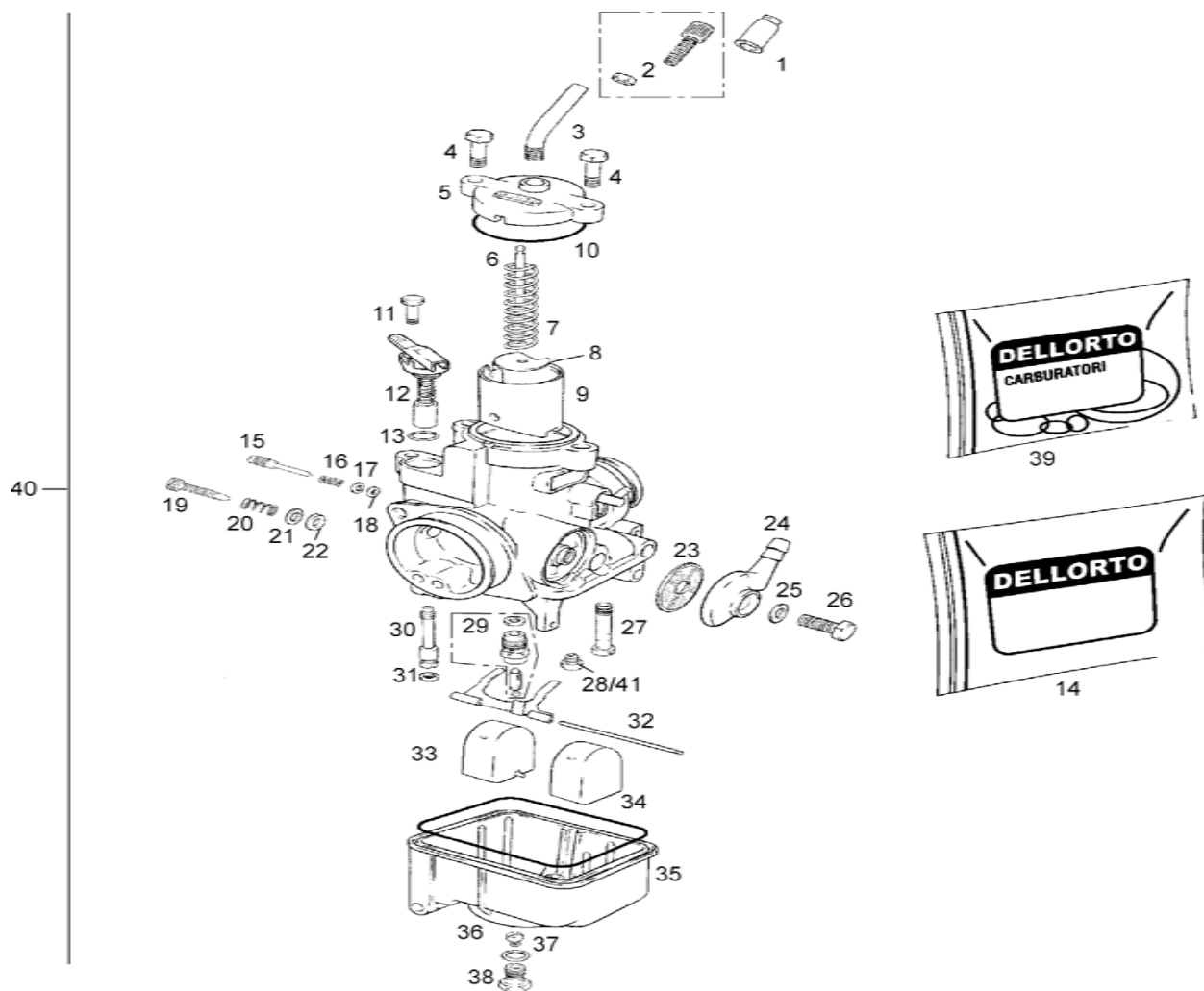
Motor 9



Nº	DESCRIPCION / DESCRIPTION	125	200	250 / 280 / 300	Cant.
1	CIRCLIP E15 DIN471 / E15 CIRCLIP	-	-	MT280236163	2
2	ARANDELA 15,2X23X0,5 / 15,2X23X0,5 WASHER	-	-	T4001523	4
3	PIÑÓN 2	-	-	MT280236071	1
4	DOLLA / BUSHING	-	-	MT280236164	2
5	ARANDELA 17X23X0,5 / 17X23X0,5 WASHER	-	-	T4001723	1
6	DESPLAZABLE PRIMARIO / PRIMARY SELECTOR DISC	-	-	MT280236073	1
7	CIRCLIP E20 DIN 471 REBAJADO / E20 CIRCLIP	-	-	MT280236165	1
8	ARANDELA 20X25X0,5 / 20X25X0,5 WASHER	-	-	T4002025	1
9	PIÑÓN 3	-	-	MT280236072	1
10	JAULA AGUJAS / NEEDLE BEARING	-	-	MT280236162	2
11	EJE PRIMARIO / PRIMARY SHAFT	-	-	MT280236070	1
12	DESPLAZABLE 2 SECUNDARIO / SECONDARY SELECTOR DISC	-	-	MT280236080	1
13	ARANDELA 22X27X0,5 / 22X27X0,5 WASHER	-	-	T4002227	2
14	JAULA AGUJAS / NEEDLE BEARING	-	-	MT280236161	2
15	PIÑÓN 5	-	-	MT280236078	1
16	CIRCLIP E22 DIN471 / E22 CIRCLIP	-	-	MT280236166	1
17	DESPLAZABLE 3 SECUNDARIO / SECONDARY SELECTOR DISC	-	-	MT280236079	1
18	PIÑÓN 3 SECUNDARIO / SECONDARY 3 GEAR	-	-	MT280236076	1
19	ARANDELA / WASHER	-	-	M02622001	2
20	JAULA AGUJAS / NEEDLE BEARING	-	-	MT280226015	1
21	PIÑÓN INTERMEDIO ARRANQUE / GEAR, IDLE KICKSTART	-	-	MT280226001	1
22	CIRCLIP E25 / E25 CIRCLIP	-	-	MT280212023	1
23	PIÑÓN CADENA SALIDA / SPROCKET, COUNTERSHAFT	MT120236525	MT120236525	MT280236525	1
24	CASQUILLO RETÉN SALIDA CAMBIO / SHIFT SEAL BUSHING	-	-	MT280236046	1
25	TÓRICA 25X2 NBR / NBR 25X2 O'RING	-	-	ME25632025	1
26	EJE SECUNDARIO / SECONDARY SHAFT	-	-	MT280236075	1
27	PIÑÓN 2 SECUNDARIO / SECONDARY 2 GEAR	-	-	MT280236077	1
28	CIRCLIP SW25 / SW25 CIRCLIP	-	-	MT280236167	1
29	TÓRICA 25X1,5 NBR / 25X1,5 O'RING	-	-	MT280212025	1
30	CTO. CAMBIO TRIAL / TRANSMISSION COMPLETE	-	-	MT280236010	1
31	CLIP DE 15MM PIÑÓN INT. ARRANQUE / 15MM. CIRCLIP	-	-	M02633000	1

GAS GAS

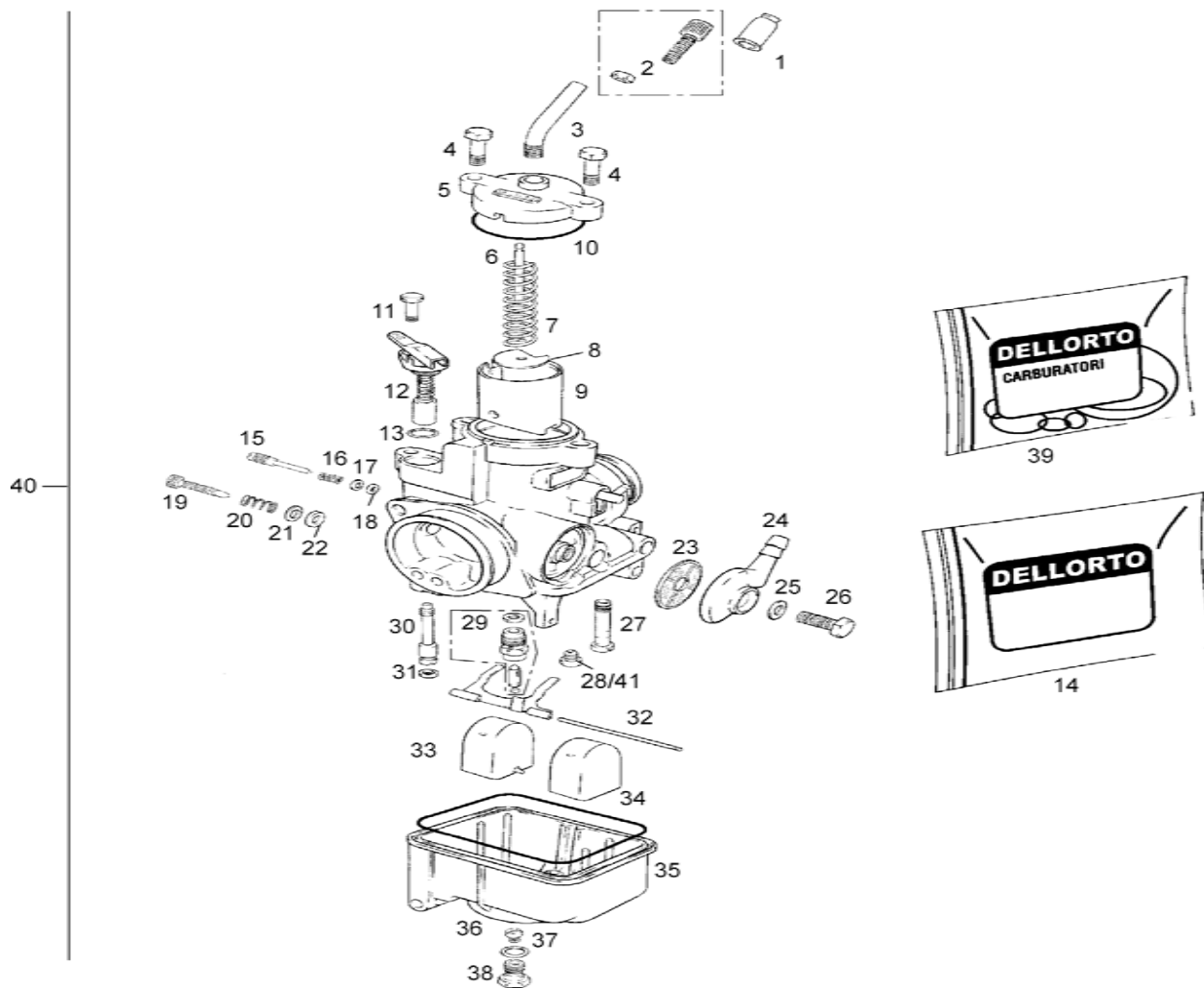
Motor 10

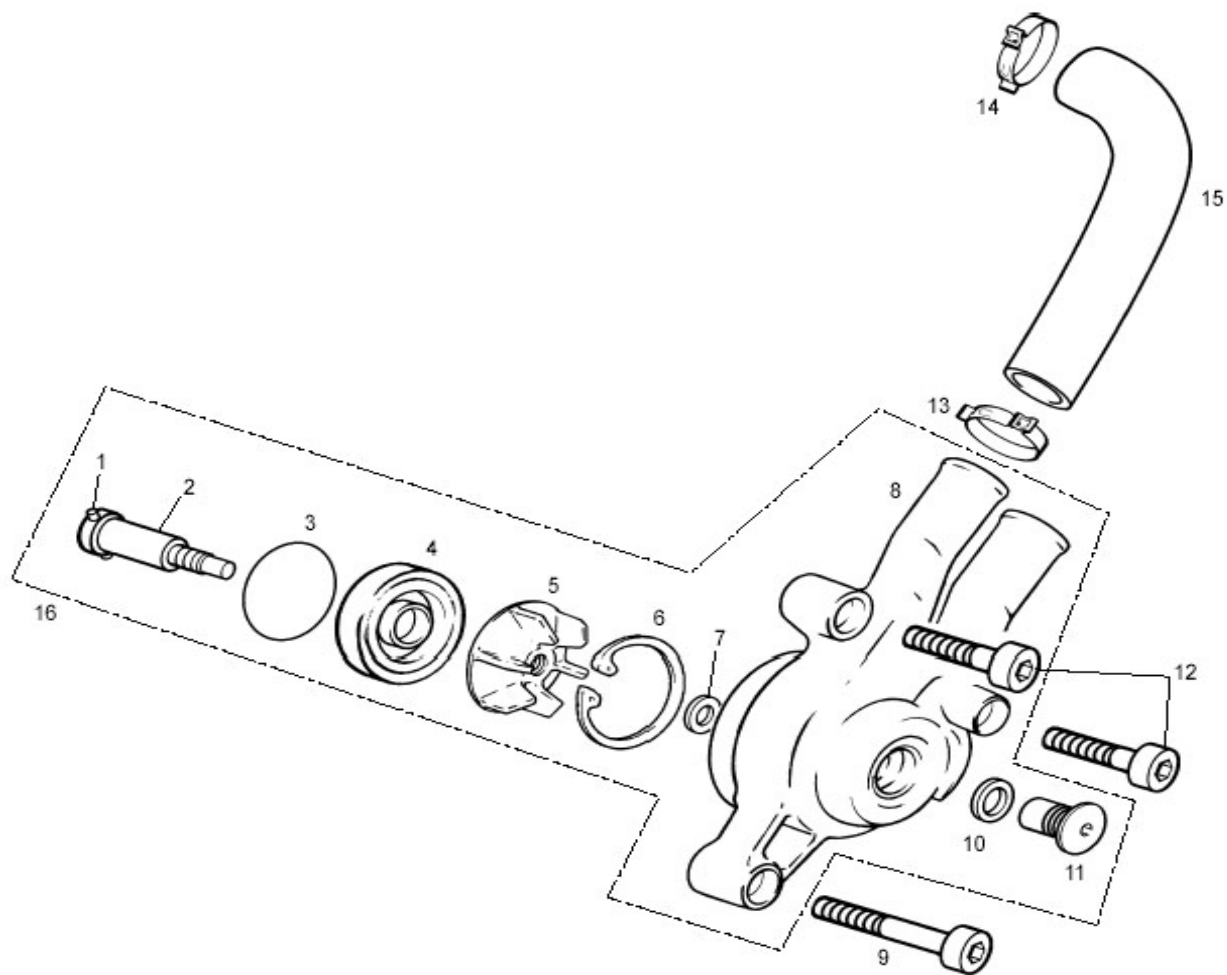


Nº	DESCRIPCION / DESCRIPTION	125 / 200	250 / 280	Cant.
1	CAPUCHÓN TENSOR CABLE GAS / ADJ. TENSION THROTTLE CABLE	-	M09001055	1
2	CTO. TENSOR CABLE / CABLE TENSION SET SCREW	-	M09001230	1
3	TENSOR CABLE GAS / CABLE TENSION TUBE	-	M09001032	1
4	TORNILLO TAPA CARBURADOR / SCREW COVER CARBURETOR	-	M09001025	2
5	TAPA CARBURADOR / COVER CARBURETOR	-	M09001156	1
6	AGUJA D36 3º PUNTO / NEEDLE D36	-	M09003136	1
7	MUELLE COMPUERTA / SPRING SLIDE	-	M09001015	1
8	PLANCHA SUJECIÓN CABLE GAS / CABLE RETAINER PLATE	-	M09001010	1
9	COMPUERTA / VALVE SLIDE	M09002050	M09002060	1
10	TÓRICA TAPA CARBURADOR / O	-	M09001050	1
11	TORNILLO SUJ. STARTER / CHOKE SCREW	-	M09001110	1
12	MANDO STARTER / CHOKE LEVER ASSY.	-	M09001105	1
13	TÓRICAS STARTER / CHOKE O'RING	-	M09001065	1
14	KIT CARBURACIÓN / CARBURETOR KIT	MT120690100	MT280690100	1
15	TORNILLO REG. ENTRADA AIRE / REG. ENTRANCE SCREW	-	M09001115	1
16	MUELLE TORNILLO REG. AIRE / SPRING SCREW REG. AIR	-	M09001120	1
17	ARANDELA TORN. REG. AIRE / WASHER SCREW BOLT REG. AIR	-	M09001125	1
18	TÓRICA TORNILLO REG. AIRE / O'RING SCREW BOLT REG. AIR	-	M09001075	1
19	TORNILLO REG. COMPUERTA / SCREW BOLT REG. SLIDE	-	M09001035	1
20	MUELLE TORNILLO REG. COMPUERTA / SPRING SCREW SLIDE	-	M09001040	1
21	ARANDELA TORNILLO REG. COMP. / WASHER SCREW REG. SLIDE	-	M09001045	1
22	TÓRICA TORNILLO REG. COMP. / O'RING SCREW REG. SLIDE VALVE	-	M09001060	1
23	JUNTA PIPETA GASOLINA / FUEL FILTER DISC	-	M09001095	1
24	PIPETA ENTRADA GASOLINA / FUEL ENTRY TUBE	-	M09001135	1
25	JUNTA TORNILLO PIPETA / GASKET SCREW BOLT	-	M09001100	1
26	TORNILLO PIPETA / BOLT	-	M09001140	1
27	EMULSOR / NEEDLE JET	M09005268	M09005271	1
28	CHICLE RALENTÍ 30 / JET SLOW 30	M09004036	M09004035	1
29	VÁLVULA FLOTADOR / FLOAT VALVE	-	M09001200	1
30	CHICLE STARTER 60 / JET CHOKE 60	-	M09007060	1
31	TÓRICA CHICLE STARTER / O'RING JET CHOKE	-	M09001070	1
32	EJE FLOTADOR / FLOAT SHAFT	-	M09001145	1
33	FLOTADOR 2X2 / FLOAT 2X2	-	M09008036	2

GAS GAS

Motor 11





N°	DESCRIPCION / DESCRIPTION	PRO2007	Cant.
1	PASADOR 3X22 EJE BOMBA / PUMP AXIS PIN	MT280218009	1
2	EJE BOMBA AGUA / AXLE TURBINE	MT280218006	1
3	TÓRICA 37X1.5 TAPA BOMBA AGUA / O'RING WATER PUMP COVER	MT280218008	1
4	RETÉN 10X35X7 DUO FKM / WATER PUMP SEAL	MT280210020	1
5	TURBINA BOMBA AGUA / WATER PUMP TURBINE	MT280218007	1
6	CIRCLIP 35 BOMBA AGUA / WATER PUMP CIRCLIP	MT280210019	1
7	ARANDELA TURBINA TRIAL / TURBINE WASHER	MT280218011	1
8	TAPA BOMBA AGUA / WATER PUMP COVER	MT280210008	1
9	ALLEN M5X40 DACROMET / M5X40 DACROMET ALLEN BOLT	T0305040	1
10	ARANDELA NYLON / NYLON WASHER	MT280218012	1
11	CASQUILLO BOMBA AGUA TRIAL 2002 / WATER PUMP BUSHING	MT280218002	1
12	ALLEN M5X35 DACROMET / M5X35 DACROMET ALLEN BOLT	T0305035	2
13	ABRAZADERA 20 / 20 CLAMP	L200035	1
14	ABRAZADERA COBRA 19 / 19 CLAMP	L200043	1
15	TUBO BOMBA – CILINDRO / PUMP TO CILINDER HOSE	BT280232017	1
16	CTO. TAPA BOMBA TRIAL PRO / COVER PUMP SET	MT280710008CT	1

**DESPIECE
PART LIST**

**TXT PRO
2007**

125/200/250/280/300

GAS GAS

RECOMIENDA EL USO DE ACEITE:



Ref.: PUO10738012

Fecha de edición: Julio 2006

Los componentes aquí expuestos y referenciados se basan en los datos existentes en la fecha de impresión de este manual. GAS GAS Motos, S.A. se reserva el derecho de efectuar cambios y/o modificaciones sin previo aviso.