

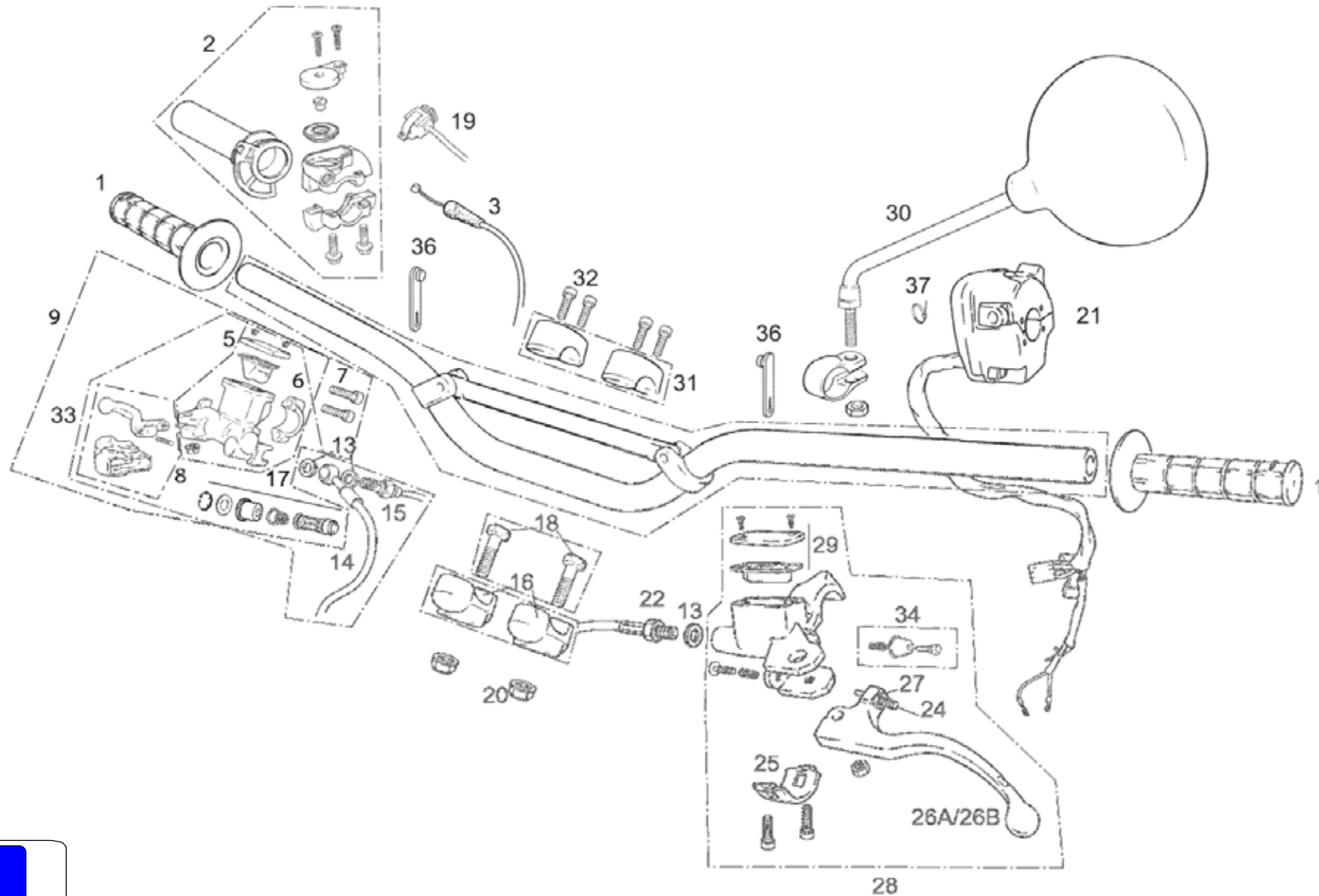
**DESPIECE
PART LIST**

PAMPERA

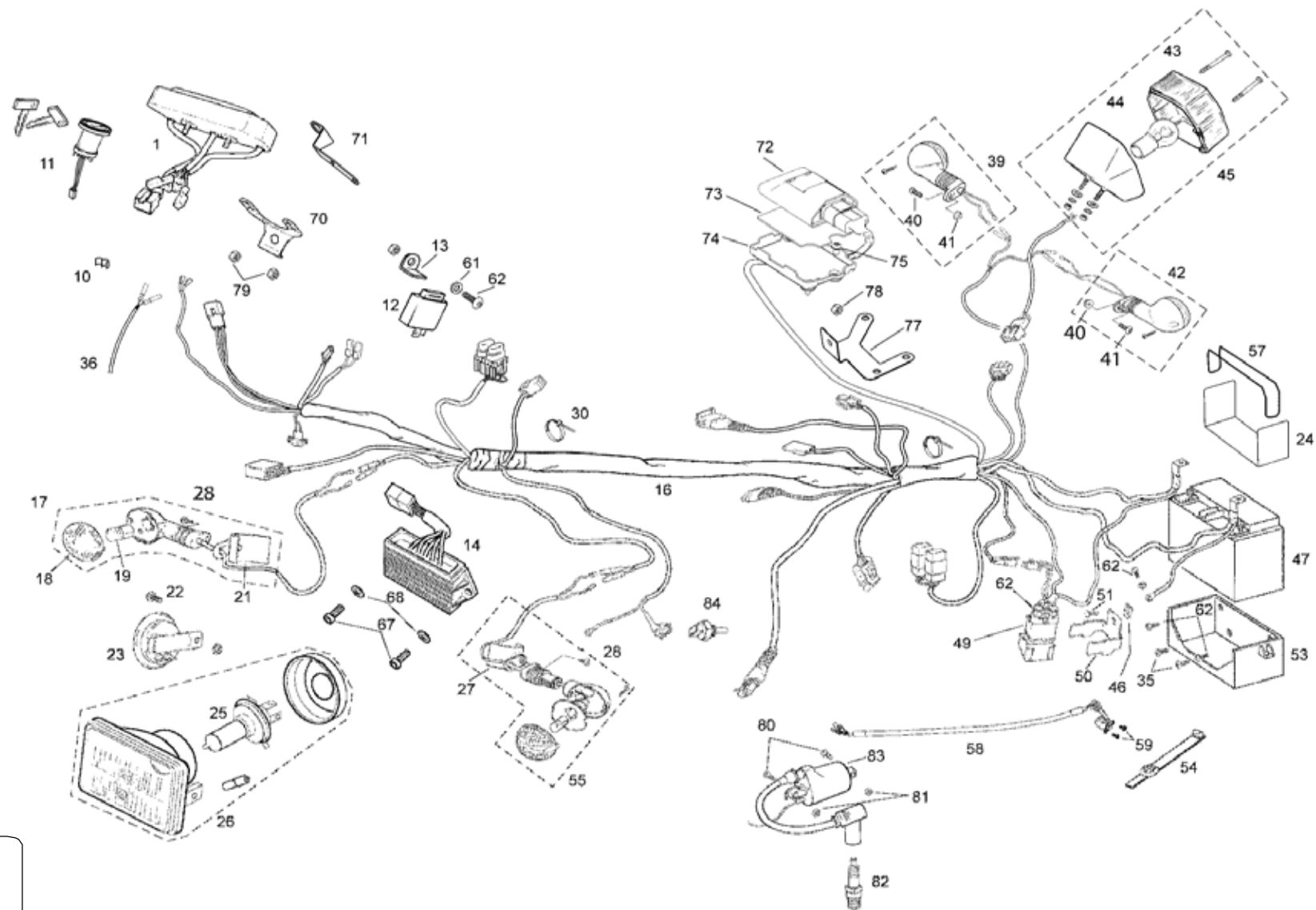
450

2007

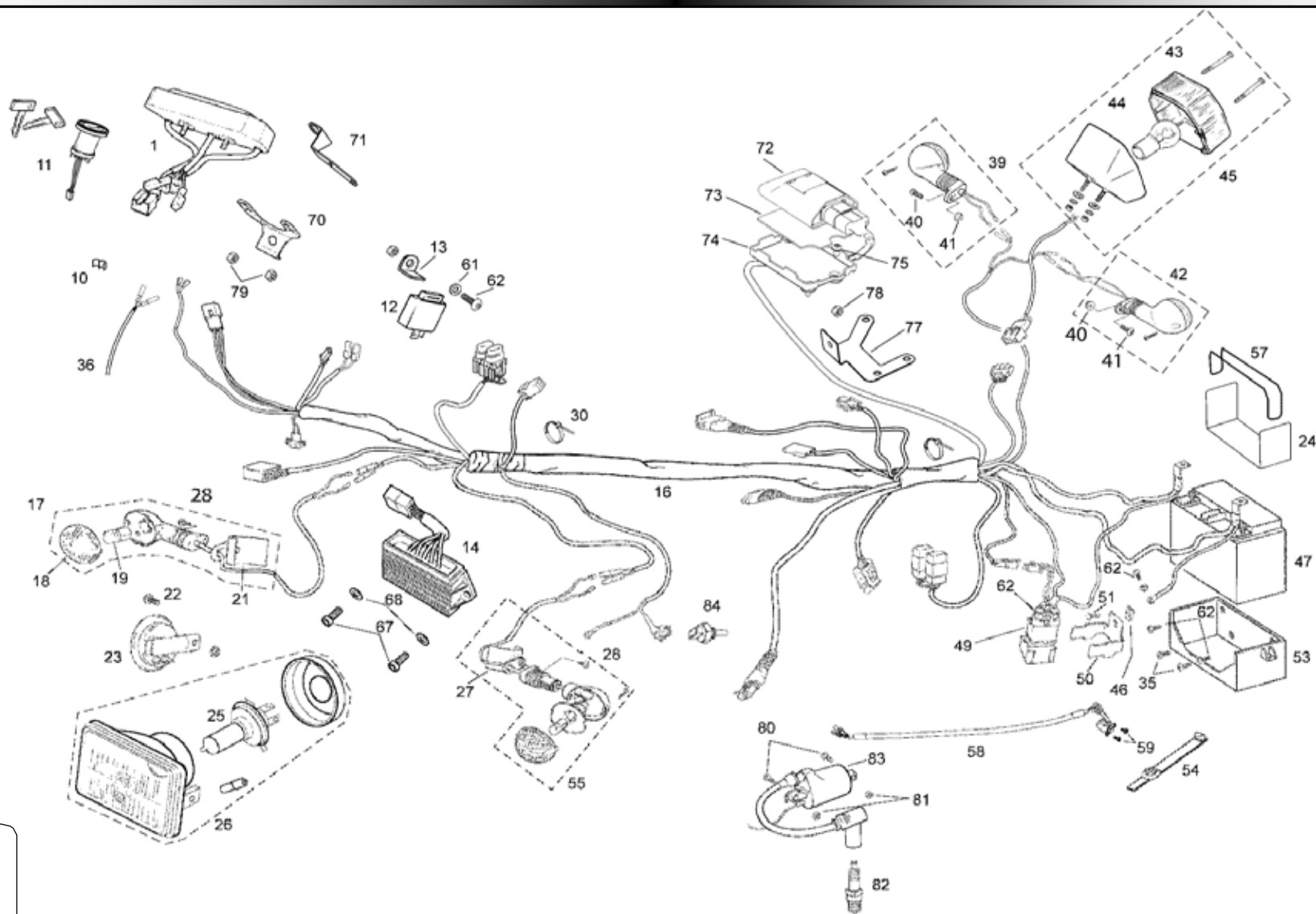
PAMPERS



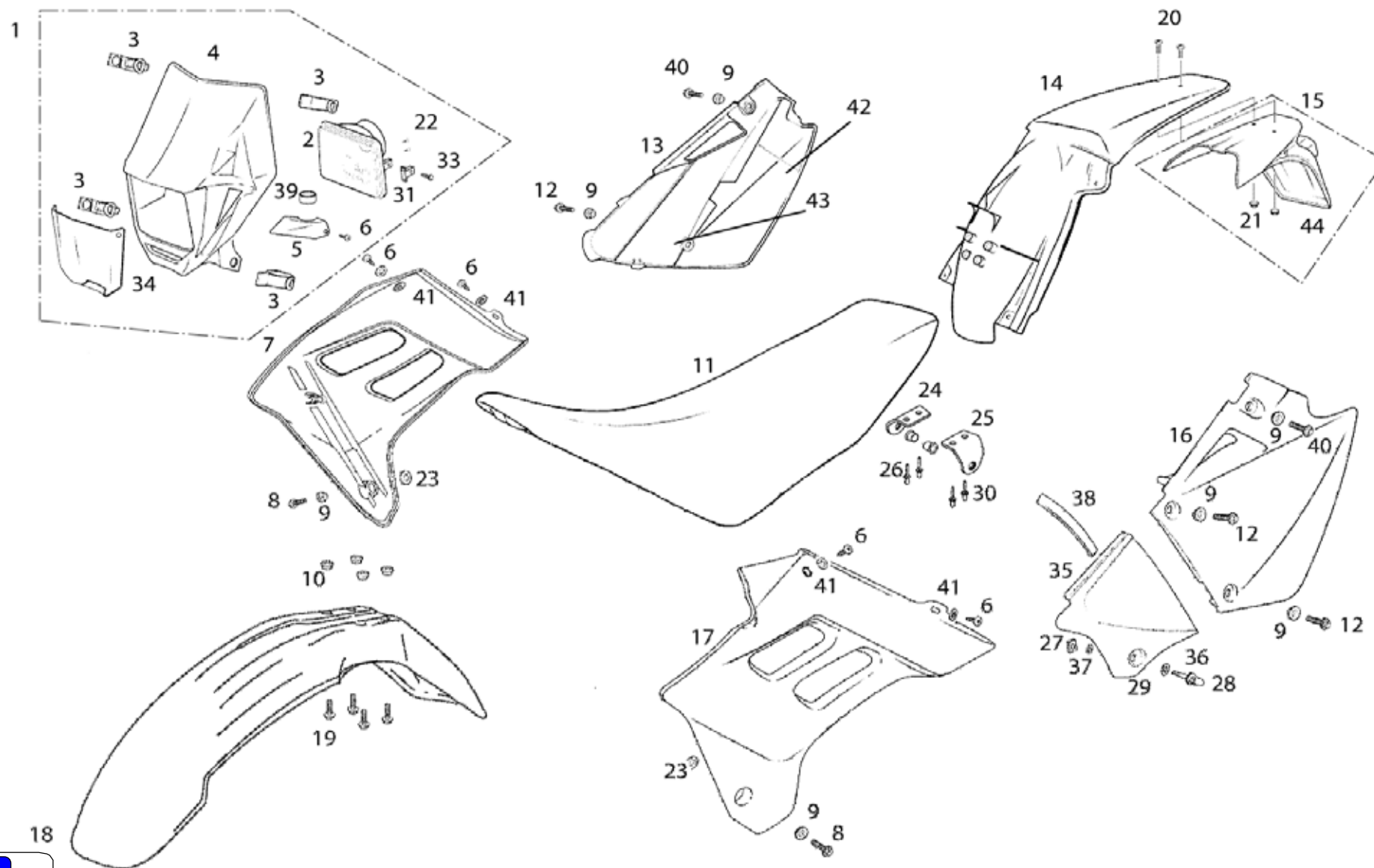
Nº	DESCRIPCION / DESCRIPTION	PAMPERA2007	NUEVAS	Cant.
1	JUEGO DE EMPUÑADURAS / HANDLEBAR GRIP (PAIR)	BE250236002		1
2	PUÑO DE GAS / TWIST GRIP	BE25724007		1
3	CABLE DE GAS / THROTTLE CABLE	BPS400524008	BPS400524008	1
4	MANILLAR COMPLETO / STEERING HANDLEBAR SET	BE250224001	BE250224001	1
5	KIT TAPA BOMBA FRENO / BRAKE PUMP COVER	BPS400522210		1
6	BRIDA BOMBA FRENO / BRAKE PUMP CLAMP	BPS400522211		2
7	TORNILLO BRIDA / CLAMP SCREW	BPS400522217		1
8	KIT REPARACIÓN MANETA / LEVER REPARATION KIT	BPS400522045		1
9	CTO.BOMBA FRENO / BRAKE PUMP SET	BPS400522008		1
13	ARANDELA LATIGUILLO 10X14X1 / 10X14X1 HOSE WASHER	BPS400522007		3
14	LATIGUILLO FRENO DELANTERO / FRONT BRAKE HOSE	BPS400522002		1
15	INTERRUPTOR STOP 90 / 90 STOP SWITCH	BPS400534003		1
16	BRIDA SUJECIÓN MANILLAR INFERIOR / HANDLEBAR CLAMP (LOWER)	BPS450714013		2
17	KIT PISTÓN BOMBA FRENO "A" / "A" BRAKE PUMP PISTON KIT	BPS400522070		1
18	TORNILLO ESPECIAL 10 X 40 / 10 X 40 SPECIAL SCREW	T0110043		2
19	CONMUTADOR ARRANQUE / STARTING COMMMAND	BFS450434027		1
20	TUERCA AUTOBLOCANTE BAJA M10 CON ARANDELA / M10 SELF-LOCKING NUT	M01613001	T2110001	2
21	CONMUTADOR IZQUIERDO / LIGHT SWITCH HALOGEN	BFS450534001		1
22	LATIGUILLO EMBRAGUE / CLUTCH HOSE	BFS450522003		1
24	TORNILLO REGULACIÓN MANETA / ADJUSTING LEVER SCREW	BT27922046		1
25	SOPORTE BOMBA EMBRAGUE / CLUTCH PUMP CLAMP	BE250022211		1
26A	MANETA EMBRAGUE CORTA / SHORT CLUTCH LEVER	BT27922040		1
26B	MANETA EMBRAGUE LARGA (SERIE) / LONG CLUTCH LEVER (STANDARD)	E200701		1
27	TUERCA M6 BAJA / M6 LOW NUT	T2006001		1
28	BOMBA EMBRAGUE HIDRÁULICO / HYDRAULIC CLUTCH PUMP	BE250022009		1
29	KIT TAPA BOMBA FRENO Y EMBRAGUE / CLUTCH AND BRAKE PUMP COVER KIT	BT27722210		1
30	ESPEJO RETROVISOR / REAR-VIEW MIRROR	L300760		1
31	BRIDA SUJECIÓN MANILLAR SUPERIOR / HANDLEBAR CLAMP (UPPER)	BP120714013		2
32	TORNILLO SUJECIÓN BRIDA MANILLAR 8X30 / 8X30 CLAMP SCREW	T0308030		4
33	CTO. FRENO DELANTERO / FRONT BRAKE SET		BFS400522108	1
34	KIT REPARACIÓN / REPARATION KIT	R346000		1
36	GOMA SUJECIÓN CABLEADO / CABLE-HOLDING BAND	BFS450320067		2
37	BRIDA PEQUEÑA / LITTLE CLAMP	BE25634010		1
41	BRIDA / CLAMP	BC25922211		1



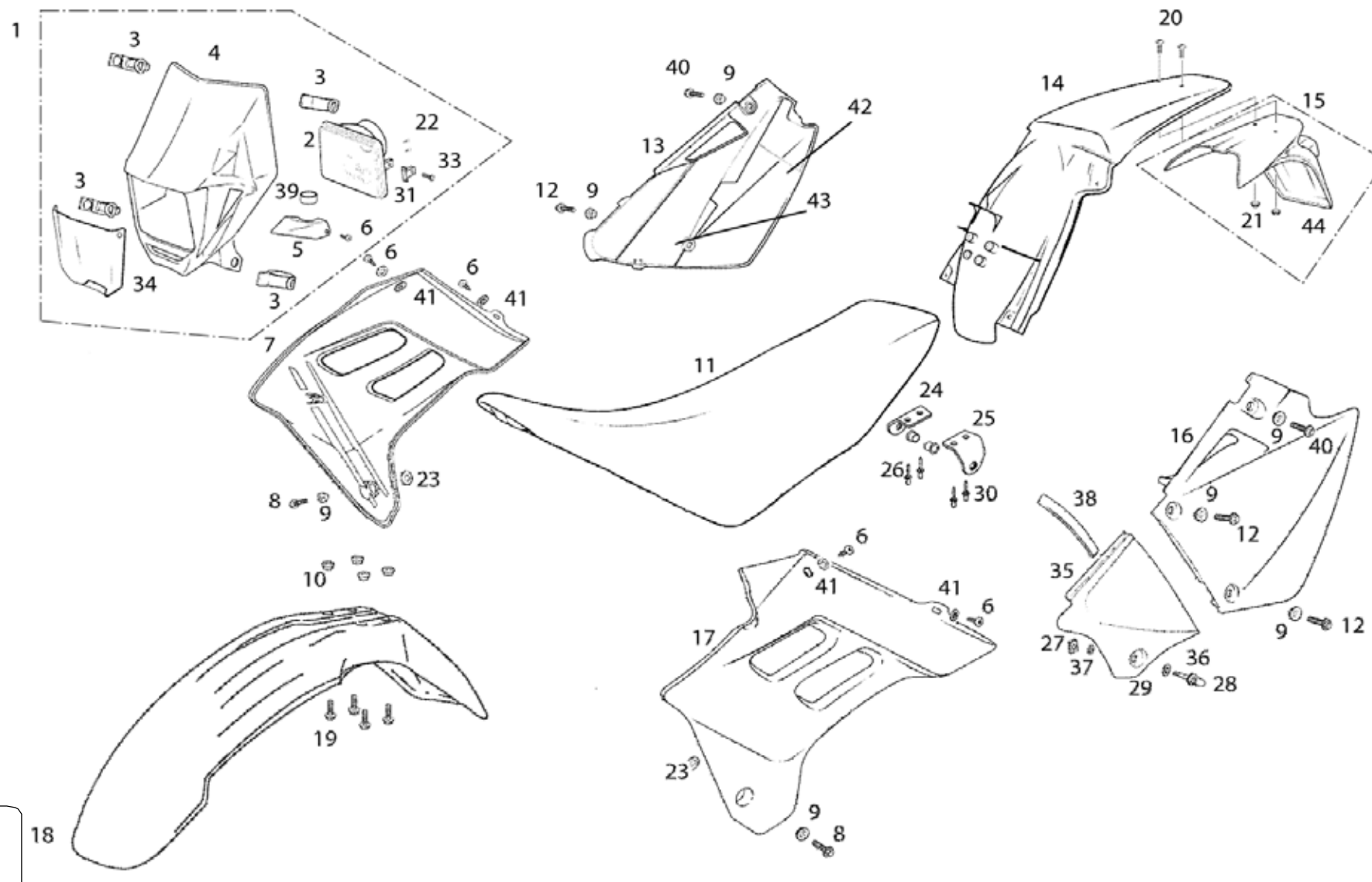
Nº	DESCRIPCION / DESCRIPTION	PAMPERA2007	NUEVAS	Cant.
1	CTO. MULTIFUNCIÓN ENDURO 2003 FSE / 2003 ENDURO MULTIFUNCTION	BFS450634005		1
10	PASACABLES CTA. KM. ENDURO 2003 / CABLE PASS SPEED COUNTER	BE250334053		2
11	CERRADURA CONTACTO CIERRE / CONTACT LOCK WITH CATCH	BFS450334032		1
12	CAJA INTERMITENCIAS / INTERMITENT BOX	BFS450434055		1
13	SOPORTE CAJA INTERMITENCIAS / INTERMITENT BOX SUPPORT	BFS450334057		1
14	REGULADOR / REGULATOR	MFS400134009		1
16	INSTALACIÓN ELÉCTRICA / ELECTRICAL INSTALLATION	MPS450780104	MPS450780104	1
17	INTERMITENTE DERECHO DELANTERO / RIGHT FRONT INDICATOR	BE250634018		1
18	TAPA INTERMITENTE / INDICATOR COVER	BE250634120		4
19	BOMBILLA / LAMP	L200118		4
21	SOP. INTERMITENTE DELANTERO DERECHO / RIGHT FRONT INDICATOR HOLDER	BE250134017		1
22	TORNILLO 6X14 ARAND. INC./ 6X14 SCREW WITH WASHER	T0556014		1
23	CLAXON / HORN	BIE500134020		1
24	ESPUMA FIJACIÓN CAJA BATERIA FSE400-4T / BATTERY FOAM	BFS400134090		1
25	BOMBILLA 12V45- 45W / 12V45 – 45W BULB	L300125		1
26	ÓPTICA HALÓGENA / OPTIC HALOGEN	BE250520024		1
27	SOP. INTERMITENTE DELANTERO IZQUIERDO / LEFT FRONT INDICATOR HOLDER	BE250134020		1
28	TORNILLO CHAPA 6,3X16 / SPECIAL SCREW	T0706316		2
30	BRIDA UNEX 4,8X36 / UNEX CLAMP 4.8X36	BE25634007		2
35	ULS 6X14 / 6X14 ULS SCREW	T0556014		2
36	CABLE MULTIFUNCIÓN TT 2003 / MULTIFUNCTION CABLE	BE250634050		1
39	INTERMITENTE DERECHO TRASERO / RIGHT REAR INDICATOR	BE250634021		1
40	ULS 6X16 NEGRO / 6X16 BLACK ULS	T0506016N		2
41	TUERCA CON ARANDELA M6 / M6 NUT WITH WASHER	T2206002		4
42	INTERMITENTE IZQUIERDO TRASERO / LEFT REAR INDICATOR	BE250634022		1
43	CRISTAL FARO TRASERO / REAR LIGHT CAP	BP25734015		1
44	BOMBILLA 12V5-21W / 12V5-21W BULB	L300116		1
45	PILOTO TRASERO EC2002 / EC2002 REAR LIGHT	BE250234015		1
46	TUERCA RÁPIDA M6 / M6 FAST NUT	T2606000		1
47	BATERÍA EC400-4T / EC400 4T BATTERY	BFS400134080/3		1
49	RELÉ ARRANQUE / STARTING RELAY	BFS400134075/2		1
50	SOPORTE RELÉ ARRANQUE / STARTING RELAY SUPPORT	BPS400534076	BPS400534076	1
51	TORNILLO ULS 6x16 C/ARAND / 6X16 ULS SCREW WITH WASHER	T0556016		2
53	CAJA BATERÍA EC400-4T / BATTERY BOX	BFS400134083		1



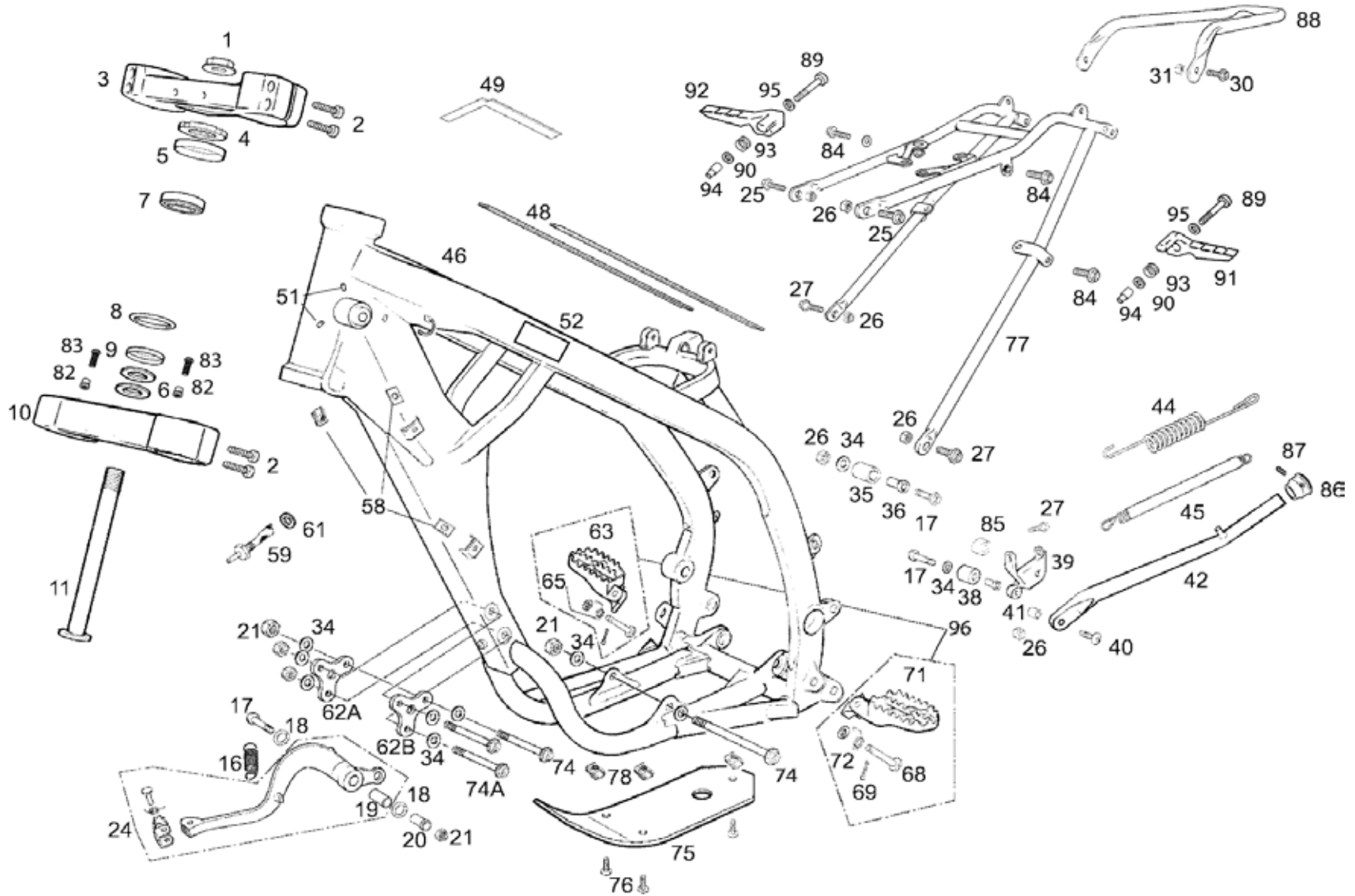
Nº	DESCRIPCION / DESCRIPTION	PAMPERA2007	NUEVAS	Cant.
54	GOMA SUJECCIÓN CDI / CDI ELASTIC BAND	BE250034100		1
55	INTERMITENTE IZQUIERDO DELANTERO / LEFT FRONT INDICATOR	BE250634019		1
57	TÓRICA TAPA F.114X4 / F114X4 COVER O'RING	P270100		1
58	SENSOR GIRO / TURN SENSOR	MFS450580005		1
59	ALLEN 5x9 / 5x9 ALLEN SCREW	T0505009		2
61	ARANDELA 6X18X1,5 / 6X18X1,5 WASHER	T4006018		2
62	TORNILLO ULS 6X10 / 6X10 ULS SCREW	T0506010		6
67	TORNILLO EXAGONAL 6X20 CON ARANDELA / 6X20 EXAGONAL SCREW WITH WASHER			2
68	ARANDELA PLANA 6X12X1,5 / PLAIN WASHER 6X12X1.5	T4006012		2
70	SOPORTE MULTIFUNCIÓN / MULTIFUNCTION SUPPORT	BFS450634045		1
71	SOPORTE CLAUSOR / CLAUSOR SUPPORT	BE050634072	BE050634072	1
72	CDI DUCATI / DUCATI CDI	MPS450780001	MPS450780001	1
73	ESPUMA SOPORTE CDI / CDI SUPPORT FOAM	BE250534109	BE250534109	1
74	SOPORTE CDI / CDI SUPPORT	BE250534107	BE250534107	1
75	ULS M6X10 / M6X10 ULS	T0506012		
77	SOPORTE CDI / CDI SUPPORT	BPS450734107	BPS450734107	1
78	TUERCA CON ARANDELA M6 / M6 NUT WITH WASHER		T2206001	
79	TUERCA AUTOBLOCANTE M5 / M5 SELF LOCKING NUT	T2105000		
80	TORNILLO M6X25 / M6X25 SCREW		T0306025	
81	CASQUILLO 12X6X7 / BUSHING		BT120222097	
82	BUJÍA / SPARK PLUG	MFS400134000		1
83	BOBINA ENCENDIDO / IGNITION COIL	MPS450780006	MPS450780006	1
84	TERMOCONTACTO / THERMOSWITCH	BPS400632065	BPS400632065	1



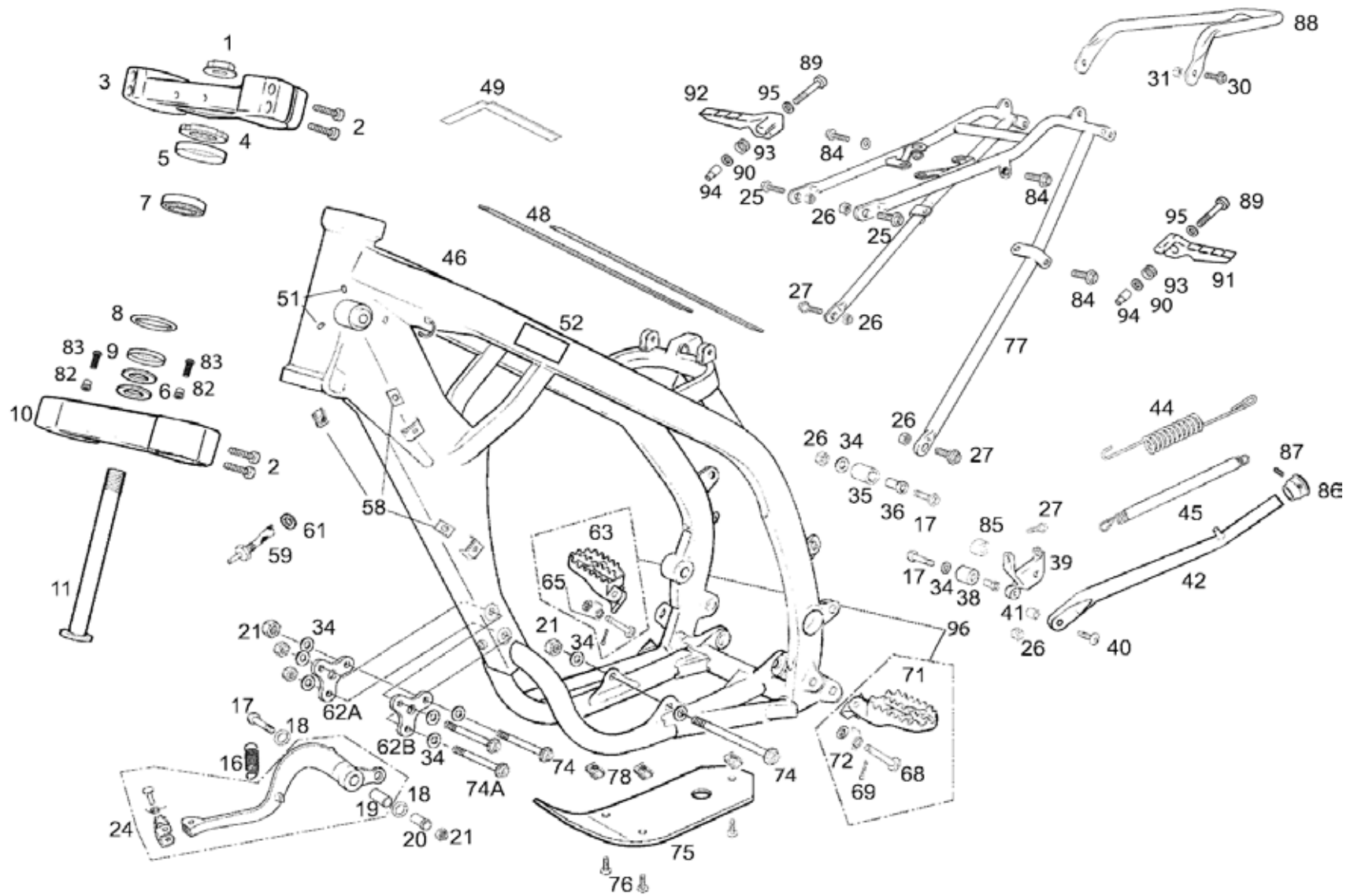
Nº	DESCRIPCION / DESCRIPTION	PAMPERA2007	NUEVAS	Cant.
1	CTO. FARO DELANTERO / FRONT HEADLAMP SET	BP120720020CT	BPS400520020CT	1
2	ÓPTICA HALÓGENA / HALOGEN LAMP	BE250520024		1
3	GOMA SUJECIÓN FARO / HEADLAMP ELASTIC BAND	BE25636015		
4	PORTAFARO DELANTERO / HEAD LAMP SUPPORT		BE250520020	1
5	TAPETA GUÍA LATIGUILLO / HOSE GUIDE COVER	BE250520023		
6	TORN. ROSC.PLAST.C.ALOM+ARAND.4.5X14 AAZ ZINCADO NEGRO / BOLT	BE250420063/2		5
7	TAPA LATERAL RADIADOR DERECHO / RIGHT SIDE RADIATOR COVER	BPS400520012		1
8	TORNILLO ESPECIAL 6X16 ZINCADO / 6X16 SPECIAL SCREW	T0206016		
9	CASQUILLO TAPA RADIADOR ALUMINIO / RADIATOR COVER BUSHING	BE250032060		
10	CASQUILLO GUARDABARROS VALONA / FRONT FENDER BUSHING	BE250014118		
11	SILLÍN / SEAT	BP120710015		1
12	TORNILLO ESPECIAL 6X20 / 6X20 SPECIAL SCREW	T0206020		
13	PORTA NÚMERO LATERAL DERECHO/ RIGHT SIDE COVER	BPS400520004		1
14	GUARDABARROS TRASERO/ REAR FENDER	BEH200620007		1
15	CTO. PORTAMATRICULAS / REAR LICENSE PLATE HOLDER SET	BE250620003CT		1
16	PORTA NÚMERO LATERAL IZQUIERDO/ LEFT SIDE COVER	BPS400520005		1
17	TAPA LATERAL RADIADOR IZQUIERDO / LEFT SIDE RADIATOR COVER	BPS400520013		1
18	GUARDABARROS DELANTERO/ FRONT FENDER	BE250520006		1
19	TORNILLO ESPECIAL M6X25 / M6X25 SPECIAL SCREW	T0606025		
20	TORNILLO PHILIPS M6X25 / M6X25 PHILIPS SCREW	T0706025		
21	TUERCA AUTOBLOCANTE ALTA M6 / M6 SELF-LOCKING NUT	T2106002		
22	TORNILLOS TORX ROSCA CHAPA 3'5X12 / 3'5X12 TORX BOLT			
23	ARANDELA NYLON 6,5X16X1 / 6.5X16X1 NYLON WASHER	T06065017		
24	SOPORTE SILLÍN DERECHO ALUMINIO/ RIGHT ALUM. SEAT HOLDER	BE250010019		1
25	SOPORTE SILLÍN IZQUIERDO ALUMINIO/ LEFT ALUMINUM SEAT HOLDER	BE250010020		1
26	REMACHE 4.8x14 / 4.8x14 RIVET	BE25610017		
27	CIERRE RÁPIDO/ FAST LOCKING	BE250128026		
28	TORNILLO CIERRE RÁPIDO/ FAST-LOCKING SCREW	BE250128027		
29	MUELLE TORNILLO CIERRE RAPIDO / SPRING	BE250528047		
30	TUERCA HEXAGONAL REMACHABLE M6 / REVITABLE M6 NUT	T2706000		
31	SOPORTE FARO / BASE HEAD LAMP	BE250520028		
33	TORNILLO HEXAGONAL 6X16/ 6X16 HEXAGONAL BOLT	T0206016		
34	PROTECTOR ÓPTICA HALÓGENA ENDURO 2005 / HALOGEN LAMP PROTECTOR	BE250520071		1
35	TAPA LATERAL CAJA FILTRO DE AIRE / AIR FILTER SIDE COVER	BE250128025		1



Nº	DESCRIPCION / DESCRIPTION	PAMPERA2007	NUEVAS	Cant.
36	ARANDELA 5X12X1,5 / 5X12X1,5 WASHER	T4005012		
37	ARANDELA NYLON 4X14X1/ 4X14X1 NYLON WASHER	T6004141		
38	JUNTA ESPUMA TAPA CAJA FILTRO AIRE/ AIR FILTER COVER FOAM GASKET	BE250228031		
39	ANILLA NEGRA/ BLACK O'RING	BE25920053		
40	TORNILLO ESPECIAL 6X25/ 6X25 SPECIAL SCREW	T0206025		
41	ARANDELA METAL / METAL WASHER		BE250511002	4
42	ADHESIVO PROTECCION SILENCIOSO / SILENCER PROTECTION STICKER PLATE	BFS450438059		
43	GOMAS PROTECCIÓN / RUBBER COVERS	BE250020104		
44	PORTAMATRÍCULAS / REAR LICENSE PLATE HOLDER	BE250420003		1

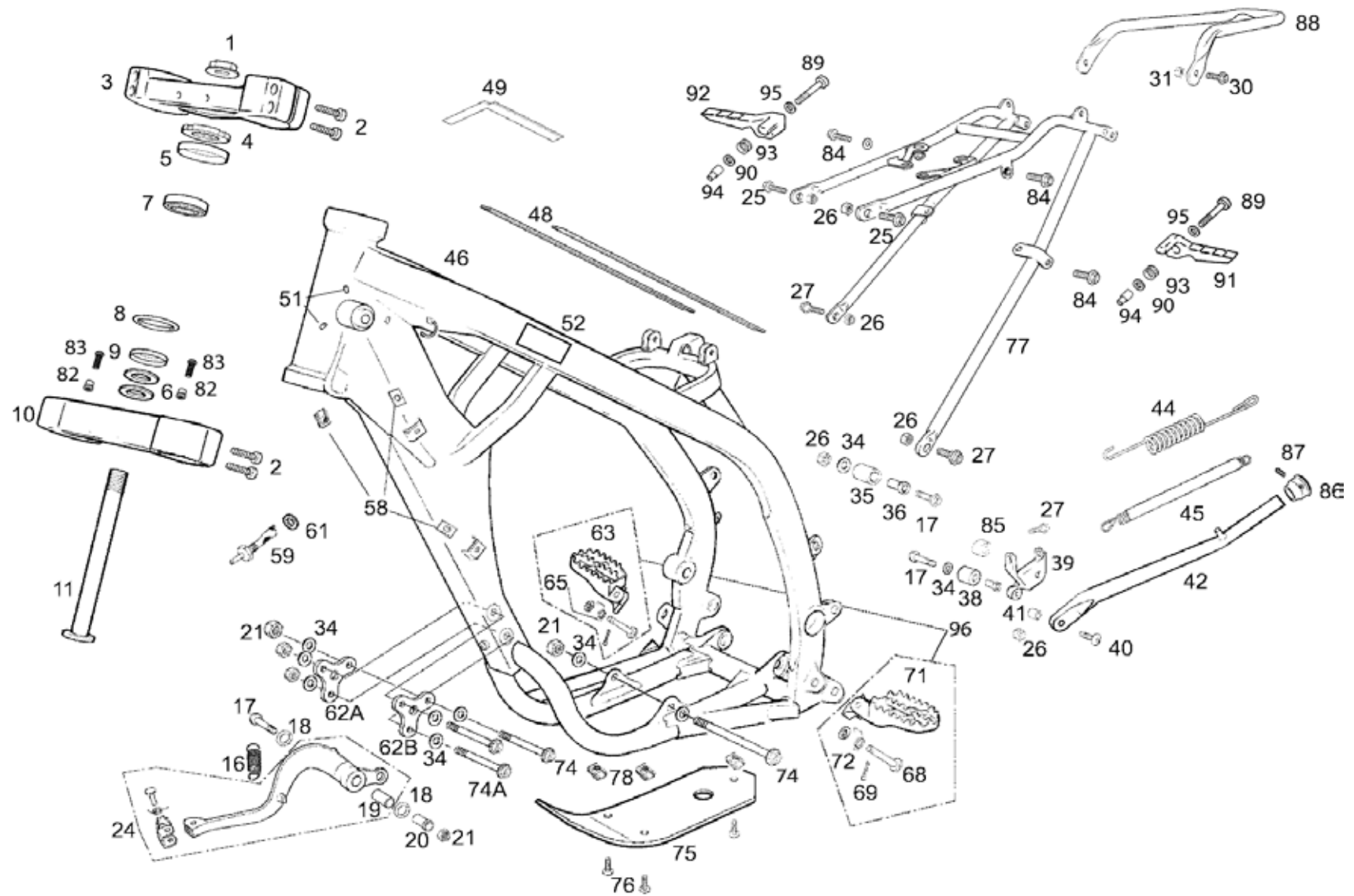


Nº	DESCRIPCION / DESCRIPTION	PAMPERA2007	NUEVAS	Cant.
1	TUERCA DIRECCIÓN / STEERING SHAFT NUT	BE25610030		1
2	TORN. EXAGONAL CON ARAND M8X35 / M8X35 EXAGONAL SCREW WITH WASHER	T0208035	T0208035	10
3	BRIDA SUPERIOR SUSPENSIÓN CROSS / CROSS FORK CLAMP (UPPER)	BE250014001	BE250014001	1
4	TUERCA DIRECCIÓN INFERIOR / LOWER STEERING SHAFT NUT	BE25610029		1
5	GUARDAPOLVO COJINETE DIRECCIÓN / BEARING DUST COVER	BE25610126		1
6	ARANDELA DIRECCIÓN / STEERING WASHER	BE25610028		2
7	COJINETE DIRECCIÓN / STEERING BEARING	BE25610008		2
8	TÓRICA DIRECCIÓN 50X5 / 50X5 STEERING O'RING	BE25610012		1
9	CAZOLETA DIRECCIÓN / STEERING CAP	BE25610026	BE25610026	1
10	BRIDA INFERIOR SUSPENSIÓN CROSS / CROSS FORK CLAMP (LOWER)	BE250014002	BE250014002	1
11	EJE DIRECCIÓN / STEERING AXEL	BE25614003	BE25614003	1
16	MUELLE PEDAL FRENO / BRAKE PEDAL SPRING	BE25610023		1
17	TORNILLO ESPECIAL 8X45 / 8X45 SPECIAL SCREW	T0208045		3
18	TÓRICA PEDAL / PEDAL O'RING	ME250036063		2
19	GLACIER PEDAL FRENO / BRAKE PEDAL BEARING	BE250010009		1
20	CASQUILLO SOPORTE PEDAL FRENO / BRAKE PEDAL SUP. BUSHING	BE250210916		1
21	TUERCA AUTOBLOCANTE CON ARANDELA M8 / M8 SELF-LOCKING NUT	T2208002		5
24	CTO. PEDAL FRENO / BRAKE PEDAL SET	BFS450322016CT	BFS450322016CT	1
25	TORNILLO ESPECIAL 8X30 / 8X30 SPECIAL SCREW	T0208030		2
25A	DISTANCIADOR GOMA DEPÓSITO / TANK RUBBER SPACER	BE250714036		2
26	TUERCA AUTOBLOCANTE M8 BAJA / LOW M8 SELF-LOCKING NUT	T2108001		6
27	TORNILLO ESPECIAL 8X20 / 8X20 SPECIAL SCREW	T0208020		3
30	TORNILLO ESPECIAL CON ARANDELA 6X20 / 6X20 SPECIAL SCREW WITH WASHER	T0206020		2
31	TUERCA AUTOBLOCANTE M8 CON ARANDELA / SELF-LOCKING M8 NUT	T2208002		2
34	ARANDELA 8X20X1,5 / 8X20X1,5 WASHER	T4008020		17
35	RODILLO GUÍA CADENA SUPERIOR / UPPER CHAIN ROLL	BE25610014		1
36	CASQUILLO RODILLO 6,25X12X25 / 6,25X12X25 BUSHING	BE25612016		2
38	RODILLO GUÍA CADENA 13,5X32X23,5 / 13,5X32X23,5 LOWER CHAIN ROLL	BE25610032		1
39	SOPORTE CABALLETE / SIDE STAND HOLDER	BE250212023		1
40	ULS 8X30 / 8X30 ULS SCREW	T0508030		1
41	CASQUILLO CABALLETE / SIDE STAND BUSHING	BE250112011		1
42	CABALLETE / SIDE STAND BRACKET	BPS400612010	BPS400612010	1
44	MUELLE EXTERIOR CABALLETE / SUPPORT OUTER SPRING	BE250510039		1
45	MUELLE CABALLETE / SIDE STAND BRACKET SPRING	BE250410039		1

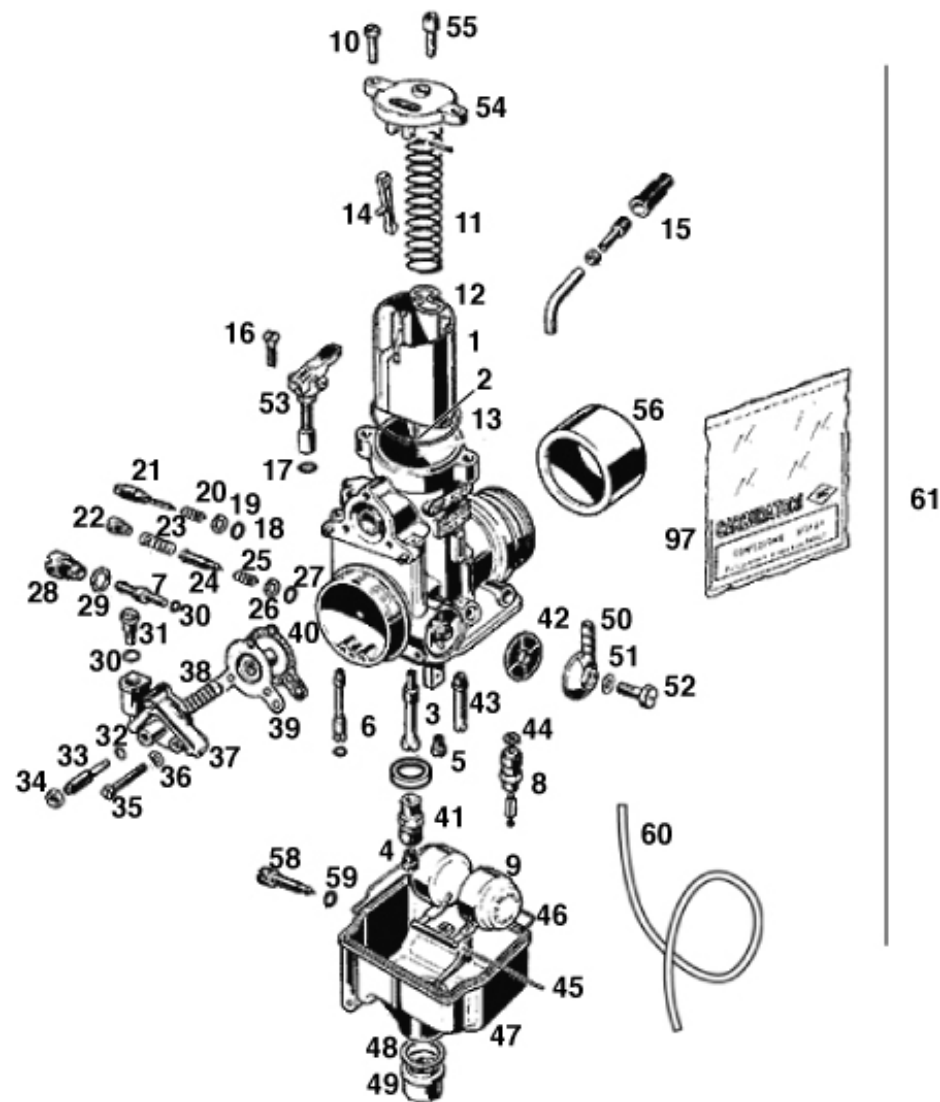


Nº	DESCRIPCION / DESCRIPTION	PAMPERA2007	NUEVAS	Cant.
46	CHASIS PAMPERA 2007 / 2007 PAMPERA FRAME	BPS450710000	BPS450710000	1
48	TIRA GOMA ADH. LATERAL / LATERAL RUBBER STICKER	BFS450738019		2
49	TIRA GOMA ADH. TRASERA / REAR RUBBER STICKER	BFS450738018		1
51	ANTI-ROBO / STEERING LOCK	BE250010075		1
52	AD. TRANSPARENTE Nº BASTIDOR / FRAME NUMBER CLEAR STICKER	PU000138015		1
58	TUERCA NUT M6 / M6 NUT	T2606000		4
59	RACORD CON FILTRO / RACORD WITH FILTER	BFS450632209CT		1
61	ARANDELA 18,2X24X1,5 / 18,2X24X1,5 WASHER	T4006008		1
62A	SOPORTE MOTOR IZQUIERDO / LEFT ENGINE SUPPORT	BFS450610990		1
62B	SOPORTE MOTOR DERECHO / RIGTH ENGINE SUPPORT	BFS450510989		1
64	ARANDELA / WASHER	T4001021		2
65	MUELLE ESTRIBO DERECHO / RIGHT FOOTREST SPRING	BE25610037		1
68	CASQUILLO ESTRIBO / FOOTREST BUSHING	BE25610006		2
69	CLAVILLA ZINC / ZINC PIN	BE25622022		2
72	MUELLE ESTRIBO IZQUIERDO / LEFT FOOTREST SPRING	BE25610038		1
74	TORNILLO ESPECIAL M8X103 / M8X103 SPECIAL SCREW	T0208103		2
74A	TORNILLO ESPECIAL M8X85 / M8X85 SPECIAL SCREW	T0208085		2
75	PROTECTOR CÁRTER / CARTER PROTECTOR	BFS450510930		1
76	ULS 8X20 / 8x20 ULS SCREW	T0508020		3
77	COLA CHASIS / FRAME TAIL	BFS400510001	BFS400510001	1
78	TUERCA M8 RÁPIDA / M8 FAST LOCK NUT	BT280010041		3
80	ARANDELA 6X18X1,5 / 6X18X1,5 WASHER	T4006018		1
82	TOPE DIRECCIÓN / STEERING STOP	BPS400510959	BPS400510959	2
83	ULS M8X25 / M8X25 ULS	T0508025	T0508025	2
84	TORNILLO ESPECIAL M6X20 / M6X20 SPECIAL SCREW		T0206020	2
85	CASQUILLO CABALLETE / BUSHING BRACKET	BPS400512011	BPS400512011	1
86	TOPE CABALLETE / BRACKET STOP			1
87	TORNILLO TOPE CABALLETE / BRACKET STOP SCREW			1
88	COLÍN SOP. GUARDABARROS TRAS./ REAR FENDER SUPPORT	BFS450310018		1
89	TORNILLO ALLEN M8X35 / M8X35 ALLEN SCREW		T0308035	2
90	ARANDELA / WASHER 10X19X2		T4001019	2
91	ESTRIBO IZQUIERDO / LEFT FOOTREST	BIE500110103		1
92	ESTRIBO DERECHO / RIGTH FOOTREST	BIE500110102		1
93	MUELLE ESTRIBO TRASERO / REAR FOOTREST SPRING	BIE500110037		2

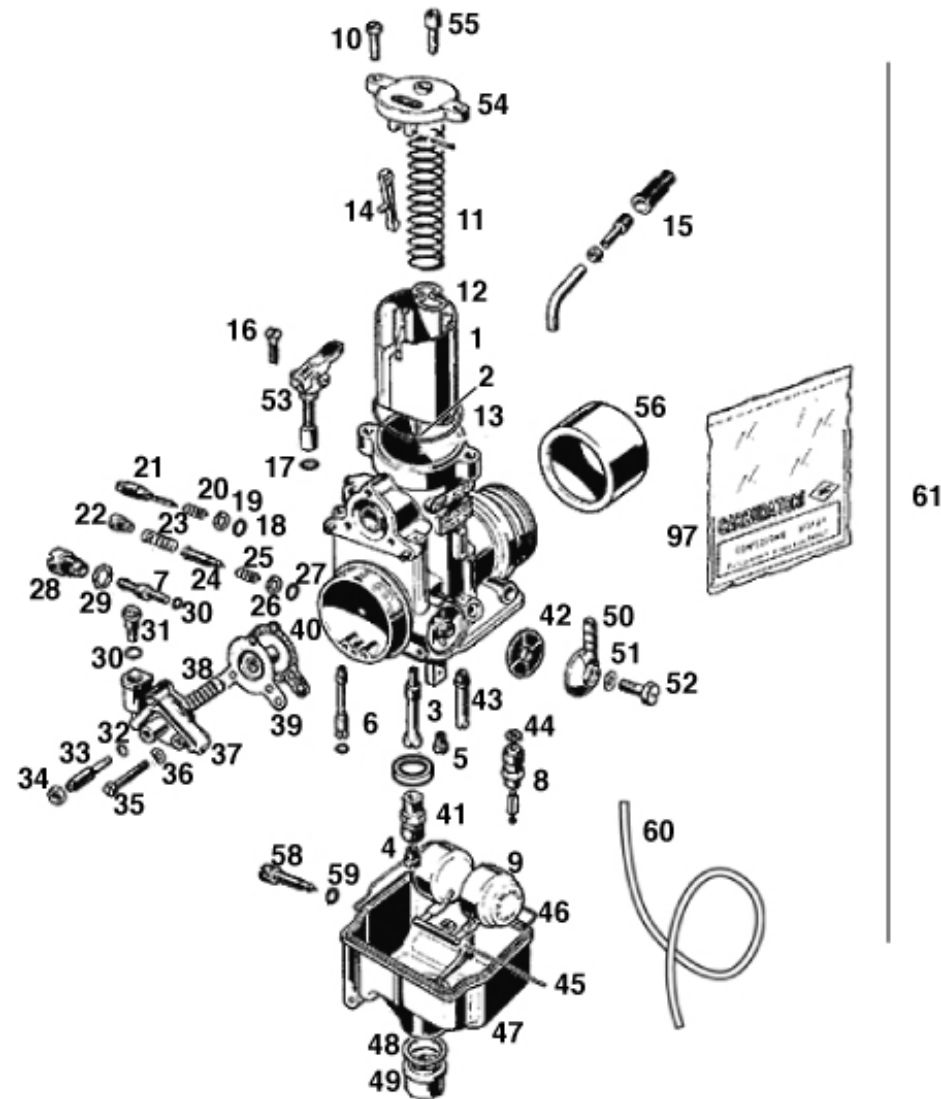
Chasis 4



Nº	DESCRIPCION / DESCRIPTION	PAMPERA2007	NUEVAS	Cant.
94	CASQUILLO GUIA / GUIDE BUSHING	BIE500110104		2
95	ARANDELA / WASHER 8X20X1'5		T4008020	2
96	CTO.ESTRIBOS / FOOTSTEP SET	BE250510002CT		1



Nº	DESCRIPCION / DESCRIPTION	PAMPERA2007	NUEVAS	Cant.
1	PISTÓN CORREDERA / SLIDE			
2	AGUJA / NEEDLE			
3	ATOMIZADOR / ATOMIZER			
4	CHICLÉ ALTA / MAIN JET			
5	CHICLÉ DE RALENTÍ / IDLE JET			
6	CHICLÉ DEL ESTARTER / CHOKE JET			
7	CHICLÉ DE BOMBA / PUMP JET			
8	VALVULA AGUJA DE FLOTADOR / FLOAT NEEDLE VALVE			
9	FLOTADOR / FLOAT			
10	TORNILLO / SCREW			
11	MUELLE DE CORREDERA / SLIDE SPRING			
12	SEGURO DE AGUJA / NEEDLE CIRCLIP			
13	JUNTA TÓRICA TAPA DE CORREDERA / TOP COVER O´RING			
14	LEVA BOMBA / PUMP ARM			
15	PROTECTOR CABLE / RUBBER CABLE CAP			
16	TORNILLO SOPORTE ESTARTER / CHOKE SUPPORT SCREW			
17	JUNTA TÓRICA SOPORTE ESTARTER / CHOKE SUPPORT O´RING			
18	JUNTA TÓRICA TORNILLO DE MEZCLA / MIXTURE SCREW O´RING			
19	ARANDELA TORNILLO DE MEZCLA / MIXTURE SCREW WASHER			
20	MUELLE TORNILLO DE MEZCLA / MIXTURE SCREW SPRING			
21	TORNILLO DE MEZCLA / MIXTURE SCREW			
22	TORNILLO TOPE CORREDERA / THROTTLE STOP SCREW			
23	MUELLE PERNO CORREDERA / THROTTLE STOP PIN SPRING			
24	PERNO TOPE CORREDERA / THROTTLE STOP PIN			
25	MUELLE PERNO TOPE CORREDERA / THROTTLE STOP PIN SPRING			
26	ARANDELA PERNO TOPE / THROTTLE STOP PIN WASHER			
27	JUNTA TÓRICA TOPE / THROTTLE STOP SCREW O´RING			
28	SOPORTE CHICLÉ BOMBA / PUMP JET HOLDER			
29	ARANDELA SOPORTE / HOLDER WASHER			
30	JUNTA TÓRICA / O´RING			
31	VÁLVULA ANTIRETORNO DE BOMBA / PUMP NON RETURN VALVE			
32	JUNTA TÓRICA DE TORNILLO AJUSTE / ADJUSTER SCREW O´RING			
33	TORNILLO AJUSTE DE BOMBA / PUMP ADJUSTMENT SCREW			
34	TUERCA AJUSTE DE BOMBA / PUMP ADJUSTER LOCKNUT			

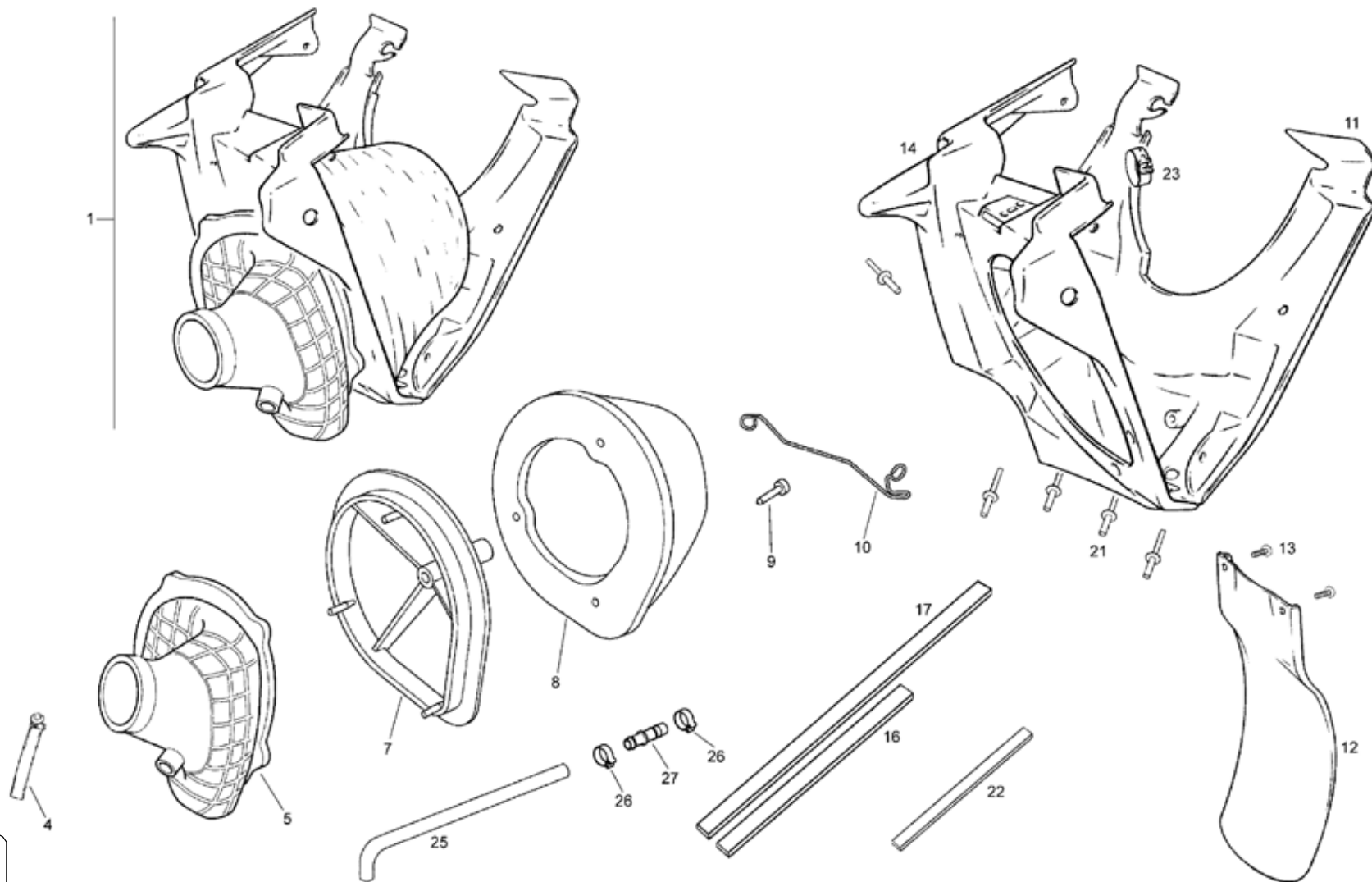


Nº	DESCRIPCION / DESCRIPTION	PAMPERA2007	NUEVAS	Cant.
35	TORNILLO TAPA BOMBA / PUMP COVER SCREW			
36	ARANDELA DE PRESIÓN / SPRING WASHER			
37	TAPA DE BOMBA / PUMP COVER			
38	MUELLE DE DIAFRAGMA / DIAPHRAGM SPRING			
39	DIAFRAGMA DE BOMBA / PUMP DIAPHRAGM			
40	JUNTA DE DIAFRAGMA / DIAPHRAGM GASKET			
41	SOPORTE CHICLÉ ALTA / MAIN JET HOLDER			
42	FILTRO ENTRADA DE COMBUSTIBLE / FUEL BANJO FILTER			
43	VÁLVULA ANTIRETORNO / NON RETURN VALVE			
44	ARANDEL FIBRA VALVULA DE AGUJA / NEEDLE VALVE FIBRE WASHER			
45	PERNO DE FLOTADOR / FLOAT PIVOT PIN			
46	JUNTA TÓRICA DE CUBA / FLOAT BOWL O'RING			
47	CUBA / FLOAT BOWL			
48	ARANDELA DE TUERCA CUBA / FLOAT BOWL NUT SEAL			
49	TUERCA DE CUBA / FLOAT BOWL NUT			
50	ENTRADA COMBUSTIBLE / FUEL BANJO			
51	ARANDELA DE TORNILLO ENTRADA COMBUSTIBLE / FUEL BANJO BOLT SEAL			
52	TORNILLO ENTRADA COMBUSTIBLE / FUEL BANJO BOLT			
53	CONUNTO MANDO DE ESTARTER / LEVER CHOKE ASSY			
54	TAPA PLASTICA / PLASTIC TOP			
55	REGULADOR / CABLE ADJUSTER			
56	TUBERA ADMISIÓN / INTAKE RUBBER	MFS250216131		
57	JUEGO DE JUNTAS ORIGINALES / GASKET SET			
58	TORNILLO DE DRENAJE CUBA / DRAIN SCREW			
59	JUNTA TÓRICA DE TORNILLO DRENAJE CUBA / DRAIN SCREW O'RING			
60	TUBO GOMA / RUBBER PIPE			
61	CARBURADOR COMPLETO/COMPLETE CARBURETOR			
62	CARBURADOR EP4005-4T HOMOLOGACIO / LEGAL CARBURETOR	MPS400590000H		
97	KIT REPARACIÓN			

Filtro de aire /
Air filter

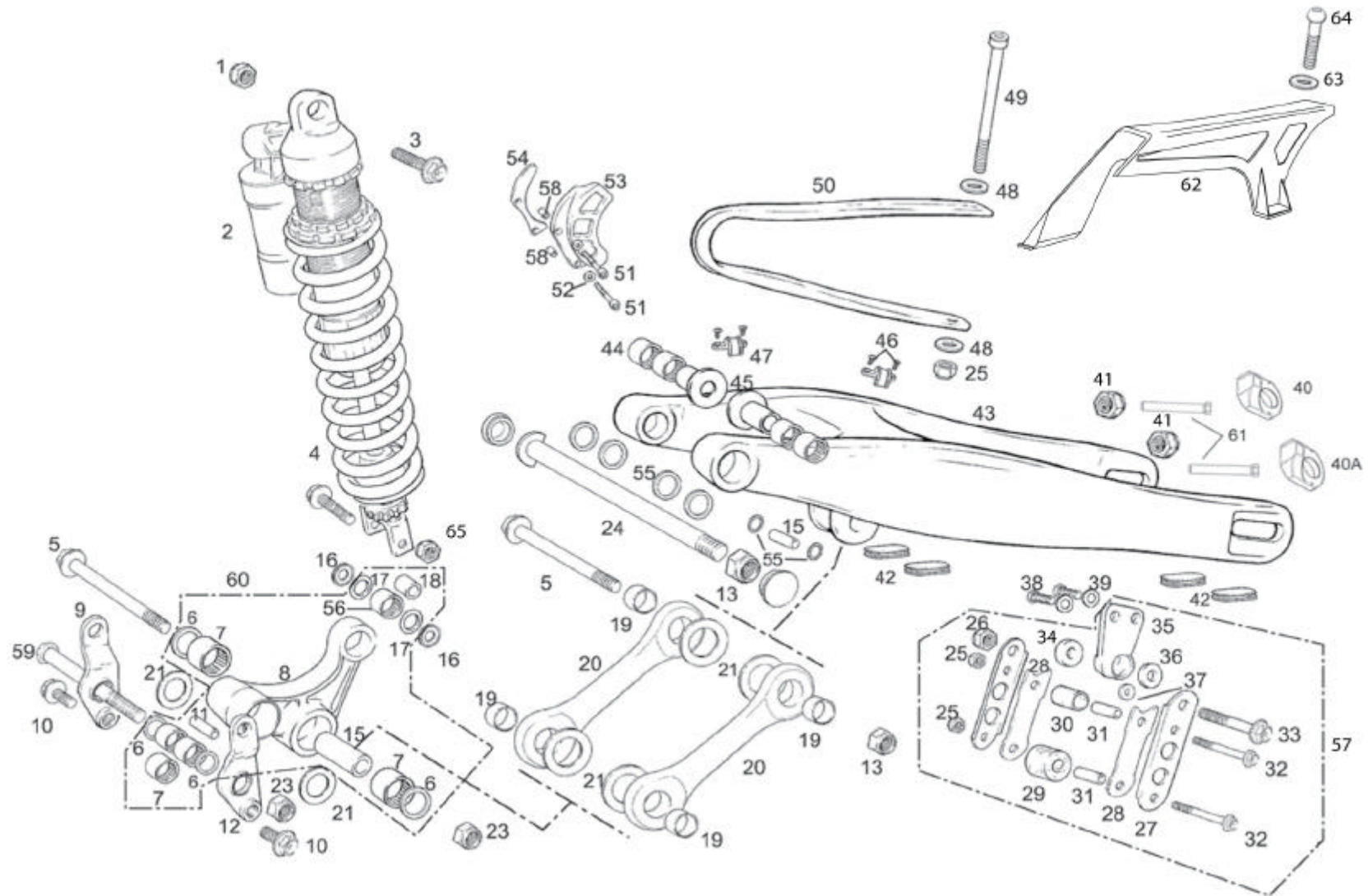
GAS GAS

PAMPERA 450 2007

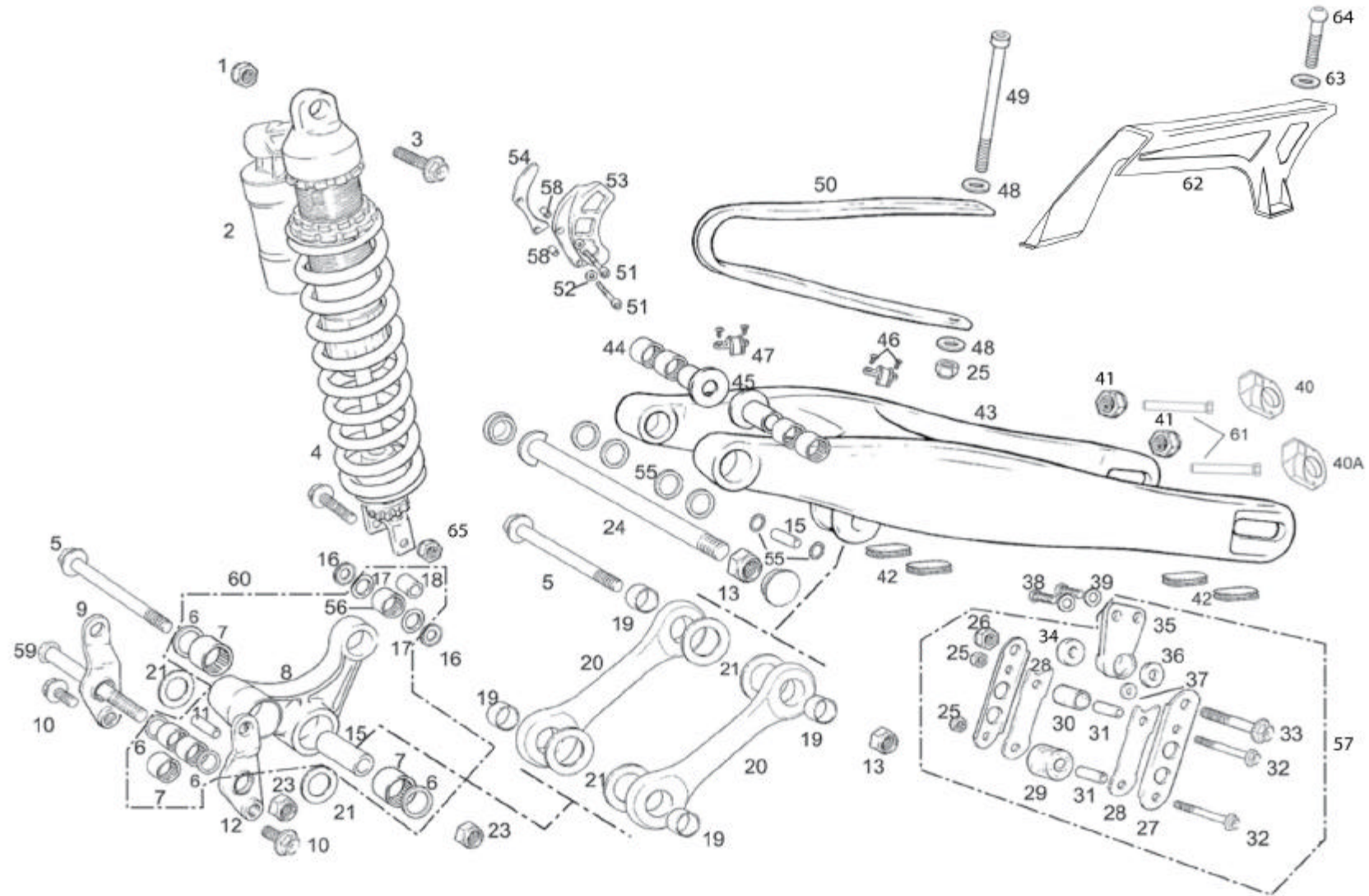


6

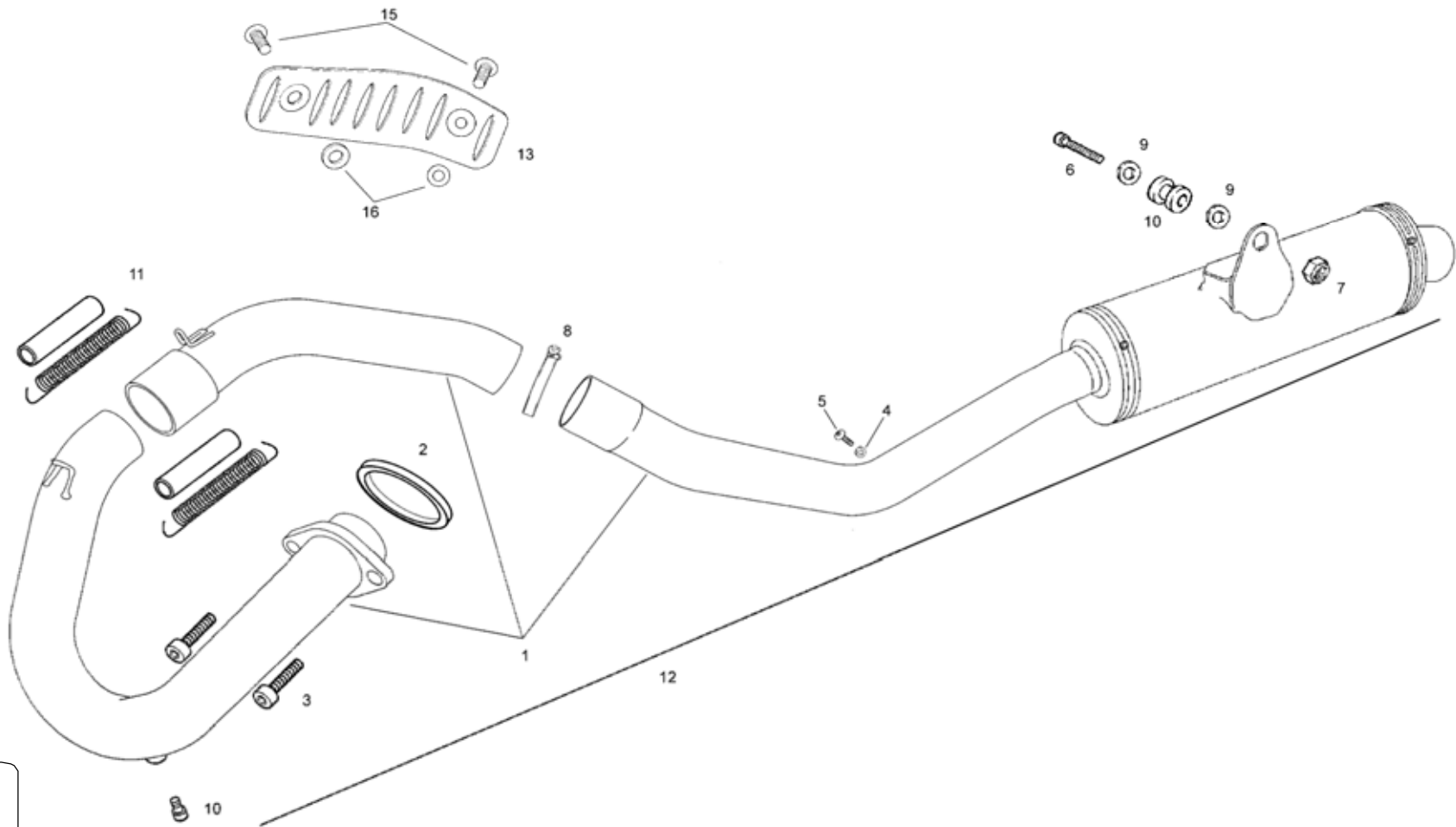
Nº	DESCRIPCION / DESCRIPTION	PAMPERA2007	NUEVAS	Cant.
1	CTO. CAJA FILTRO AIRE / AIR FILTER BOX SET	BP120728001		1
4	ABRAZADERA 40-60 / 40-60 CLAMP	L200047		1
5	GOMA TUBERA CAJA FILTRO / BOX FILTER RUBBER	BP120728017		1
7	JAULA FILTRO AIRE / AIR FILTER CARRIER	BE250628002		1
8	FILTRO AIRE / AIR FILTER	BFS450728000		1
9	PASADOR FILTRO AIRE / AIR FILTER LOCK	BP120728103		1
10	CLIP DE CIERRE / LOCKING CLIP	BP120728003		2
11	SEMI-CAJA TUBERA FILTRO / AIR FILTER SEMI-BOX		BFS450328015	1
12	PROTECTOR SUSPENSIÓN TRASERA / REAR SHOCK ABSORBER PROTECTOR	BE25620008		1
13	TORNILLO ESPECIAL 6X20 / 6X20 SPECIAL SCREW	T0606020		2
14	SEMI-CAJA ESPUMA FILTRO / AIR FILTER FOAM SEMI-BOX		BE250128016	1
16	TIRA ADHESIVA 118 MM CAJA FILTRO / 118 MM. AIR FILTER BOX STICKER	BE250128029		1
17	TIRA ADHESIVA 180 MM CAJA FILTRO / 180 MM. AIR FILTER BOX STICKER	BE250128030		1
21	REMACHE 4X12 NEGRO / BLACK 4X12 RIVET	T4504012		4
22	ESPUMA / FOAM	BE250328039		1
23	ABRAZADERA COBRA 21 / 21 CLAMP	L200046		1
25	TUBO DESVAPORIZADOR / STEAM HOSE	BFS450532014	BFS450532014	1
26	ABRAZADERA COBRA 17 / COBRA 17 CLAMP	BIT50010033		1
27	CONECTOR TUBO DESVAPORIZADOR / STEAM HOSE CONNECTOR	BFS450528048		2



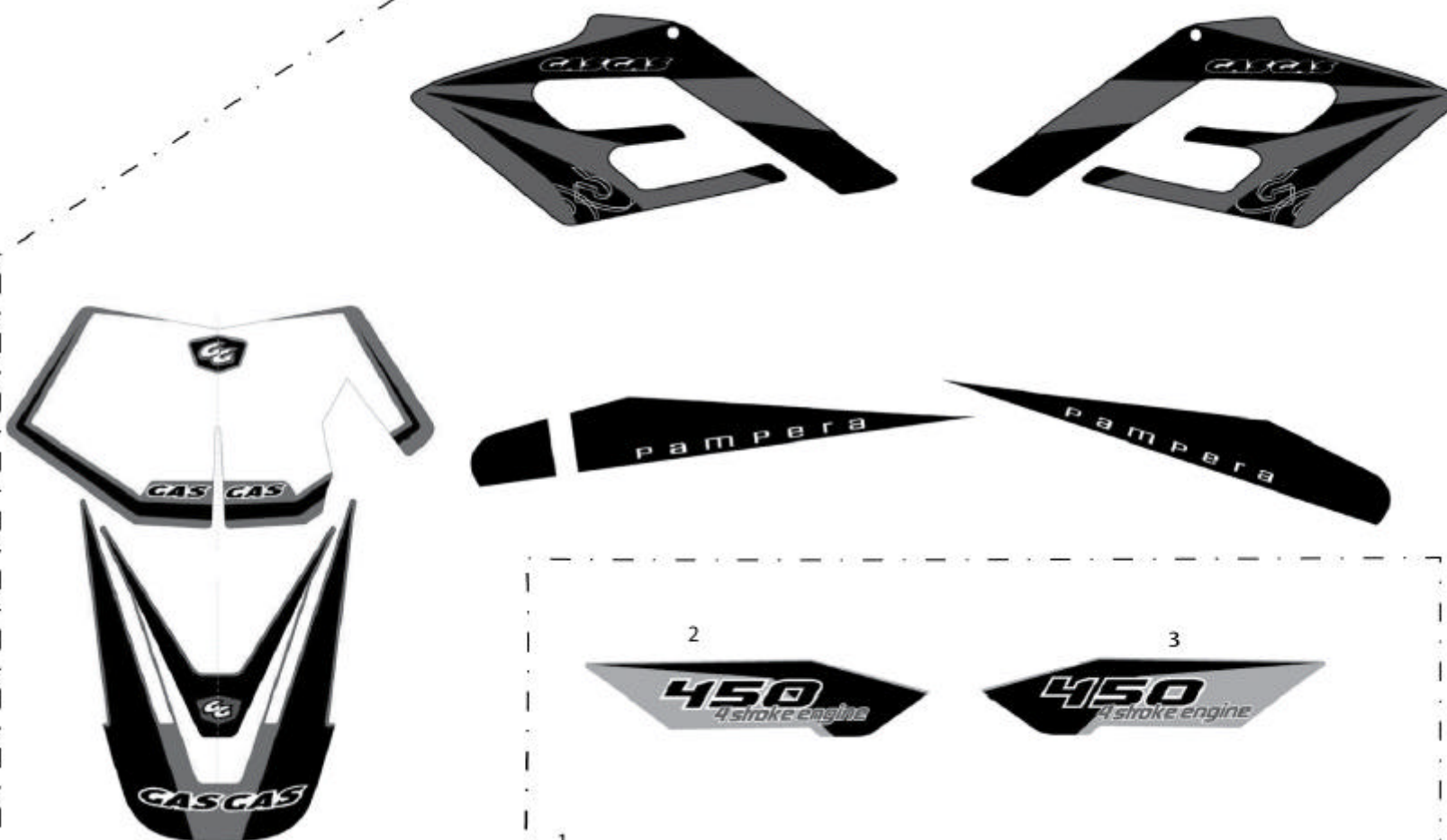
Nº	DESCRIPCION / DESCRIPTION	PAMPERA2007	NUEVAS	Cant.
1	TUERCA AUTOBLOCANTE M10 / SELF-LOCKING NUT M10	T3110002		1
2	AMORTIGUADOR TRASERO / REAR SHOCK ABSORBER	BFS250514004SA		1
3	TORNILLO ESPECIAL M10X55 / SPECIAL SCREW M10X55	T0210055		1
4	TORNILLO M10X43X1,25 / SCREW M10X43X1.25	T0301043		1
5	TORNILLO ESPECIAL 14X95 / SPECIAL SCREW 14X95	T0201495		2
6	RETÉN 28X22X4 BASCULANTE / SWINGARM SEAL 28X22X4	BE25610011		4
7	JAULA AGUJAS DL2216 / NEEDLES BEARING DL2216	BE25614010		5
8	BALANCÍN / ROCKER ARM	BE250514005		1
9	SOPORTE BALANCÍN DERECHO / RIGHT ROCKER ARM SUPPORT	BE250314006		1
10	TORNILLO ESPECIAL 12X25X1,25 / SPECIAL SCREW 12X25X1.25	T02012025		2
11	CASQUILLO BALANCÍN / SWINGARM SHAFT BUSHING	BE25612005		1
12	SOPORTE BALANCÍN IZQUIERDO / LEFT ROCKER ARM SUPPORT	BE250314007		1
13	TUERCA AUTOBLOCANTE M 14 / SELF-LOCKING NUT M14	BE25612009		4
15	CASQUILLO 14X22X57 / 14X22X57 BUSHING	BE25612014		2
16	ARANDELA REGLAJE 21X10,2X1 / 21X10.2X1 SETTING WASHER	T4001022		2
17	TORICA BIELETA 15X3,5 / CONNECTING ROD O'RING	BE25814015		2
18	CASQUILLO INF. AMORTIGUADOR D.16X21.60 / SHOCK ABSORBER BUSHING (LOWER)	BE25642005		1
19	CASQUILLO BIELETA / CONNECTING ROD BUSHING	BE25642002		4
20	BIELETA / CONNECTING ROD	BE120114008	BE120114008	2
21	ARANDELA REGLAJE 22,4X36X0,7 / SETTING WASHER 22.4X36X0.7	T4022036		6
23	TUERCA M14 AUTOBLOCANTE CON ARANDELA / SELF-LOCKING M14 NUT WITH WASHER	BE25612009		2
24	EJE BASCULANTE EC2003 / EC2003 SWINGARM SHAFT	BE250312008		1
25	TUERCA AUTOBLOCANTE M6 ALTA / HIGH SELF LOCKING NUT M6	T2106002		2
26	TUERCA AUTOBLOCANTE M8 BAJA / LOW SELF LOCKING NUT M8	T2108001		1
27	PLATINA GUIA CADENA / CHAIN GUIDE BRACKET	BE25912017		2
28	TIRA NYLON ANTIRUIDO / ANTI-NOISE NYLON BAND	BE25612022		2
29	RODILLO GUÍA CADENA13,55X32X23,5 / CHAIN GUIDE ROLLER 13.55X32X23.5	BE25610032		1
30	RODILLO GUÍA CADENA SUPERIOR / UPPER CHAIN GUIDE ROLLER	BE25610014		1
31	CASQUILLO GUÍA CADENA / CHAIN GUIDE BUSHING	BE25610025		2
32	TORNILLO ESPECIAL 6X45 / SPECIAL SCREW 6X45	T0206045		2
33	TORNILLO ESPECIAL 8X45 / SPECIAL SCREW 8X45	T0208045		1
34	DISTACIADOR SOP. GUÍA CADENA GRANDE / BIG CHAIN GUIDE SUPPORT SPACER	BE25612021		1
35	SOPORTE GUÍA CADENA / CHAIN GUIDE SUPPORT	BE25612018		1
36	DISTACIADOR SOP. GUÍA CADENA PEQUEÑO / SMALL CHAIN GUIDE SUPPORT SPACER	BE25612020		1



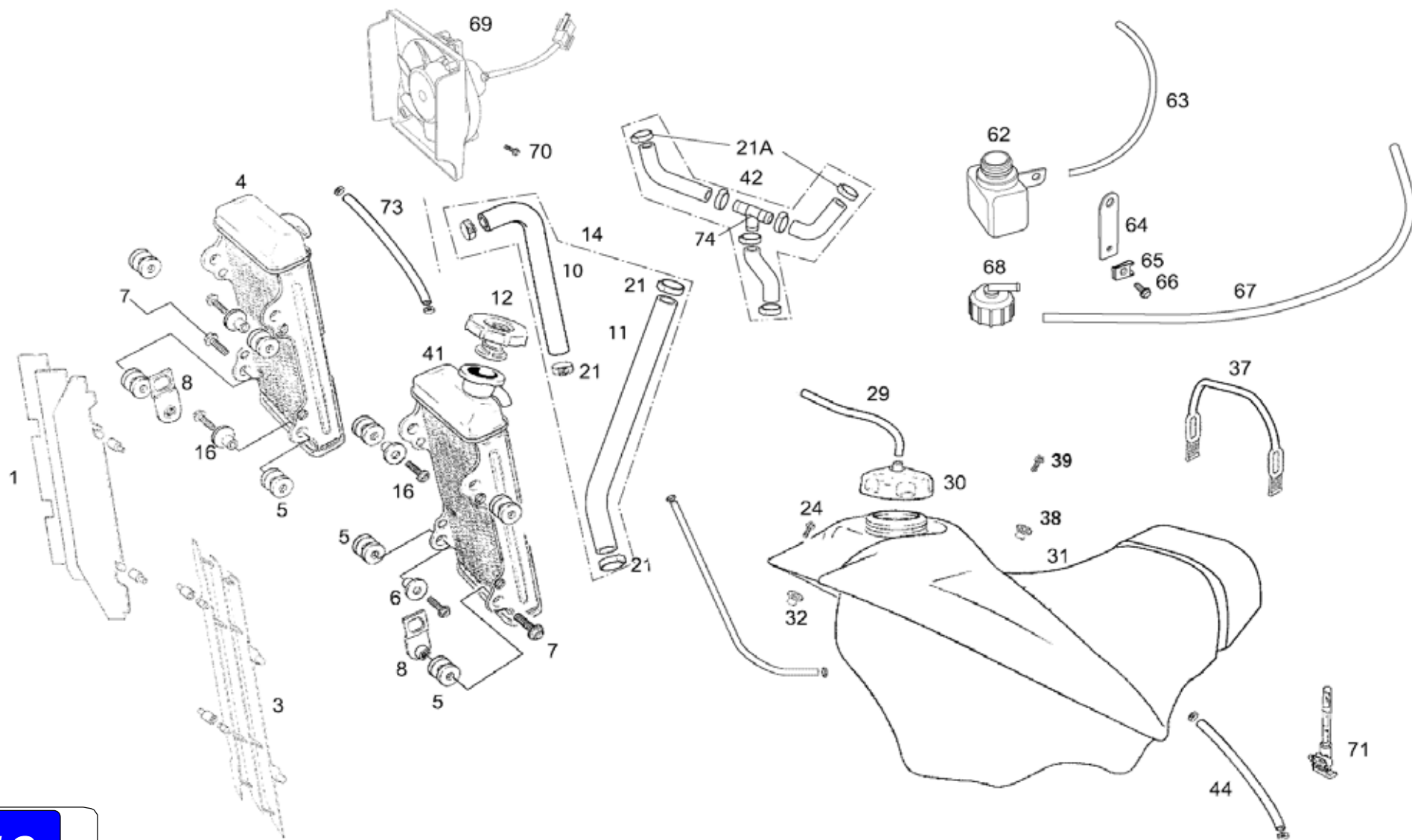
Nº	DESCRIPCION / DESCRIPTION	PAMPERA2007	NUEVAS	Cant.
37	SILENTBLOCK SOPORTE GUÍA CADENA / CHAIN GUIDE SUPPORT SILENBLOCK	BE25612019		1
38	HEXAGONAL 8X20 / HEX. SCREW 8X20	T0108020		2
39	ARANDELA 8X16X1,5 / WASHER 8X16X1.5	T4008016		2
40	TENSOR RUEDA DERECHA / RIGHT WHEEL TENSOR	BFS450718022R		1
40 A	TENSOR RUEDA IZQUIERDA / LEFT WHEEL TENSOR	BFS450718022L		1
41	TUERCA CILINDRO ESPECIAL M10/150 / M10/150 SPECIAL SCREW	ME25616031		2
42	GOMA PROTECTOR BASCULANTE / SWINGARM PROTECTOR RUBBER	BE25836005		4
43	BASCULANTE / SWINGARM	BPS400512002		1
44	JAULA AGUJAS DL2216 / NEEDLES BEARING DL2216	BE25614010		4
45	CASQUILLO BASCULANTE EC2003 / EC2003 SWINGARM BUSHING	BE250312007		2
46	ULS 5X12 / ULS SCREW 5X12	T0505012		4
47	SUJECIÓN LATIGUILLO SOBRE BASCULANTE / SWINGARM HOSE HOLDER	BE25612007		2
48	ARANDELA 6X18X1,5 / 6X18X1.5 WASHER	T4006018		3
49	ALLEN 6X100 / ALLEN SCREW 6X100	T0306100		1
50	PATIN CADENA / CHAIN SLIDER	BE250112015		1
51	ALLEN 6X45 / ALLEN SCREW 6X45	T0206045		2
52	ARANDELA PLANA 6X12X1,5 / PLAIN WASHER 6X12X1.5	T4006012		2
53	PROTECTOR PIÑÓN PLÁSTICO ENDURO / ENDURO PLASTIC PINION PROT.	ME250036121		1
54	PLATINA PROTECTOR PIÑÓN / PINION PROTECTOR BRACKET	ME25636021		1
55	TÓRICA 3,5X21 / 3,5X21 O RING	BE250510011		6
56	JAULA AGUJAS DL1216 / DL 1216 NEEDLES BEARING	BE25614009		1
57	CTO. TENSOR CADENA / CHAIN TIGHTER SET	BE25612018CT		1
58	CASQUILLO DISTANCIADOR PIÑÓN / SPACER PINION BUSHING	ME250036019		2
59	TORNILLO ESPECIAL M14X110 / SPECIAL SCREW M14X110	T0214110		1
60	CTO. BALANCÍN / ROCKER SET	BE250514005CT		1
61	TORNILLO TENSOR RUEDA / WHEEL TENSOR SCREW	BFS450722212		2
62	PROTECTOR CADENA ENDURO 2003 / CHAIN 2003 ENDURO PROTECTOR	BE250328011		1
64	TORNILLO UL5 6X12 / UL5 SCREW	T0506012		1
65	TUERCA AUTOBLOCANTE M10 BAJA / SELF-LOCKING NUT (LOWER)	T2110001		1



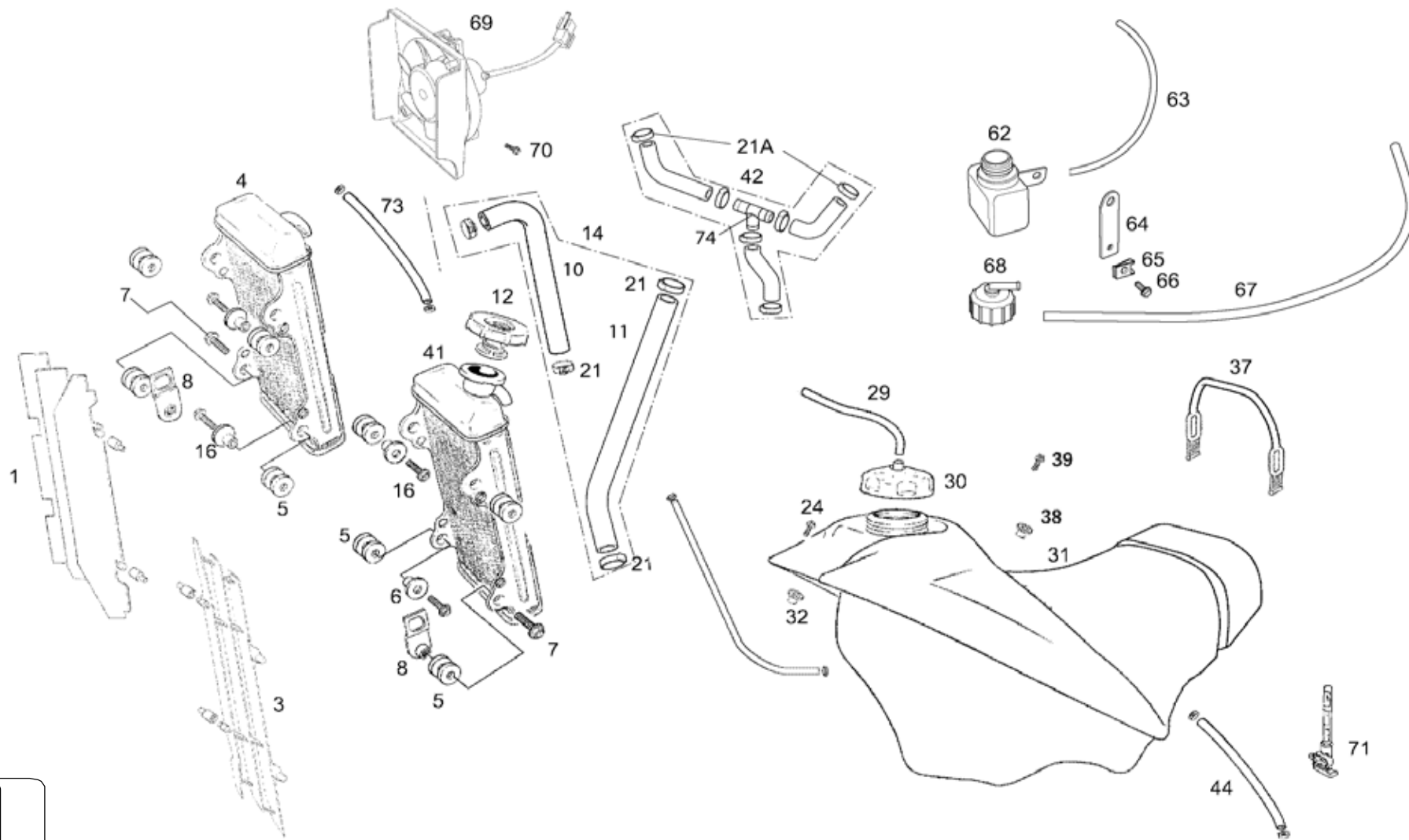
Nº	DESCRIPCION / DESCRIPTION	PAMPERA2007	NUEVAS	Cant.
2	JUNTA EC4T / EXHAUST GASKET	MFS400144012		1
3	ALLEN 8X20 / 8X20 ALLEN SCREW	T0308020		2
4	ARANDELA 8X16X1,5 / 8X16X1,5 WASHER	T4008016		1
5	ULS M8X20 / M8X20 ULS SCREW		T0508020	1
6	TORNILLO ALLEN M8X50 / M8X50 ALLEN SCREW		T0308050	1
7	TUERCA M8 CON ARANDELA / M8 NUT WITH WASHER	T2208002		1
8	ABRAZADERA / CLAMP			1
9	ARANDELA DE 8 Mm. CONCAVA / WASHER			1
10	TAPON SENSOR Co / SENSOR CAP	BFS400126054		1
11	MUELLE ESCAPE 4T / FSE EXHAUST SPRING	BFS400110042		2
12	CTO. ESCAPE / EXHAUST SET	BPS450726001CT	BPS450726001CT	1
13	PROTECTOR ESCAPE / EXHAUST TUBE PROTECTOR	BFS450526021		1
15	ULS M6X10 / M6X10 ULS		T0506010	2
16	ARANDELA AISLANTE / WASHER			2



Nº	DESCRIPCION / DESCRIPTION	PAMPERA2007	NUEVAS	Cant.
1	CTO.ADHESIVO PAMPERA / PAMPERA STICKER SET	BPS400638000		1
2	ADHESIVO BASCULANTE IZQUIERDO / LEFT SWINGARM STICKER	BPS450738006		1
3	ADHESIVO BASCULANTE DERECHO / RIGHT SWINGARM STICKER	BPS450738005		1



Nº	DESCRIPCION / DESCRIPTION	PAMPERA2007	NUEVAS	Cant.
1	REJILLA RADIADOR DERECHO / RIGHT RADIATOR RACK	BFS450720001		1
3	REJILLA RADIADOR IZQUIERDO / LEFT RADIATOR RACK	BE250720002	BE250720002	1
4	RADIADOR DERECHO / RIGHT RADIATOR	BFS450732000		1
5	SILENTBLOCK RADIADOR / RADIATOR SILENTBLOCK	BE250026005		8
6	CASQUILLO RADIADOR / RADIATOR BUSHING	BE25832040		4
7	TORNILLO ESPECIAL 6X16 8.8 ZINCADO / SPECIAL ZINQUED SCREW	T0206016		2
8	PLÁSTICO LATERAL RADIADOR / RADIATOR PROTECTOR	BE25632015		2
10	TUBO RADIADOR CULATA LADO DERECHO / RIGHT FRAME HEAD CYLINDER RADIATOR TUBE		BPS450732022	1
11	TUBO RADIADOR CULATA LADO IZQUIERDO / LEFT FRAME HEAD CYLINDER RADIATOR TUBE		BFS450732021	1
12	TAPÓN RADIADOR / RADIATOR TAP	BFS400132032		1
13	ABRAZADERA COBRA 25 / 25 CLAMP	BE120132052		1
14	CONJUNTO TUBOS RADIADORES CULATA / HEAD CYLINDER RADIATOR TUBES SET	BPS450716104CT		1
16	ALLEN 6X20 / 6X20 ALLEN SCREW	T0306020		4
21	ABRAZADERA COBRA 21 / 21 CLAMP	L200046		2
21A	ABRAZADERA COBRA 20 / 20 CLAMP	L20035		2
23	ABRAZADERA 17 / 17 CLAMP	BIT50010033		2
24	TORNILLO ESPECIAL 6X20 / 6X20 SPECIAL SCREW	T0206020		1
29	TUBO DESVAPORIZADOR TAPÓN GASOLINA / FUEL HOSE TO PUMP	BE250520011		1
30	TAPÓN DEPÓSITO GASOLINA / FUEL TANK CAP	BE250520010		1
31	DEPÓSITO / FUEL TANK	BPS400510024	BPS400510024	1
32	CASQUILLO DEPÓSITO / FUEL TANK BUSHING	BE25610007		1
37	TIRA SUJ. DEPÓSITO EC 2001 / FUEL TANK RUBBER BAND HOLDER	BE250136020		1
38	CASQUILLO GUÍA SILLÍN / SEAT GUIDE BUSHING	BP120710007		1
39	TORNILLO ROSCA CHAPA 4'5X25 / 4'5X 25 SCREW BOLT	T0610001		1
41	RADIADOR IZQUIERDO / LEFT RADIATOR	BFS450732001		1
42	CTO. TUBOS RADIADOR A BOMBA AGUA / RADIATOR TO WATER PUMP HOSE	BPS450732020CT		1
44	TUBO DESVAPORIZADOR MOTOR A CAJA FILTRO / ENGINE TO FILTER BOX BREATHER TUBE	MFS450616103		1
62	DEPÓSITO DE EXPANSIÓN / EXPANSION RESERVOIR	BFS450332005		1
63	TUBO VASO EXP. A RADIADOR / RADIATOR TO EXP. RESERVOIR TUBE	BFS450432004		1
64	SOPORTE VASO EXPANSIÓN / RESERVOIR TANK SUPPORT	BPS400532104	BPS400532104	1
65	TUERCA M6 / M6 NUT	T2606000		1
66	TORNILLO M6X14 / M6X14 SCREW	T0206014		1
67	TUBO VASO EXPANSION A SALIDA / EXP. RESERVOIR TO EXT. TUBE	BFS450432021		1
68	TAPON VASO EXPANSION / RESERVOIR TANK PLUG	BFS450332035		1
69	VENTILADOR / FAN	BFS450332340		1
70	TORNILLO / SCREW	T0604210		1

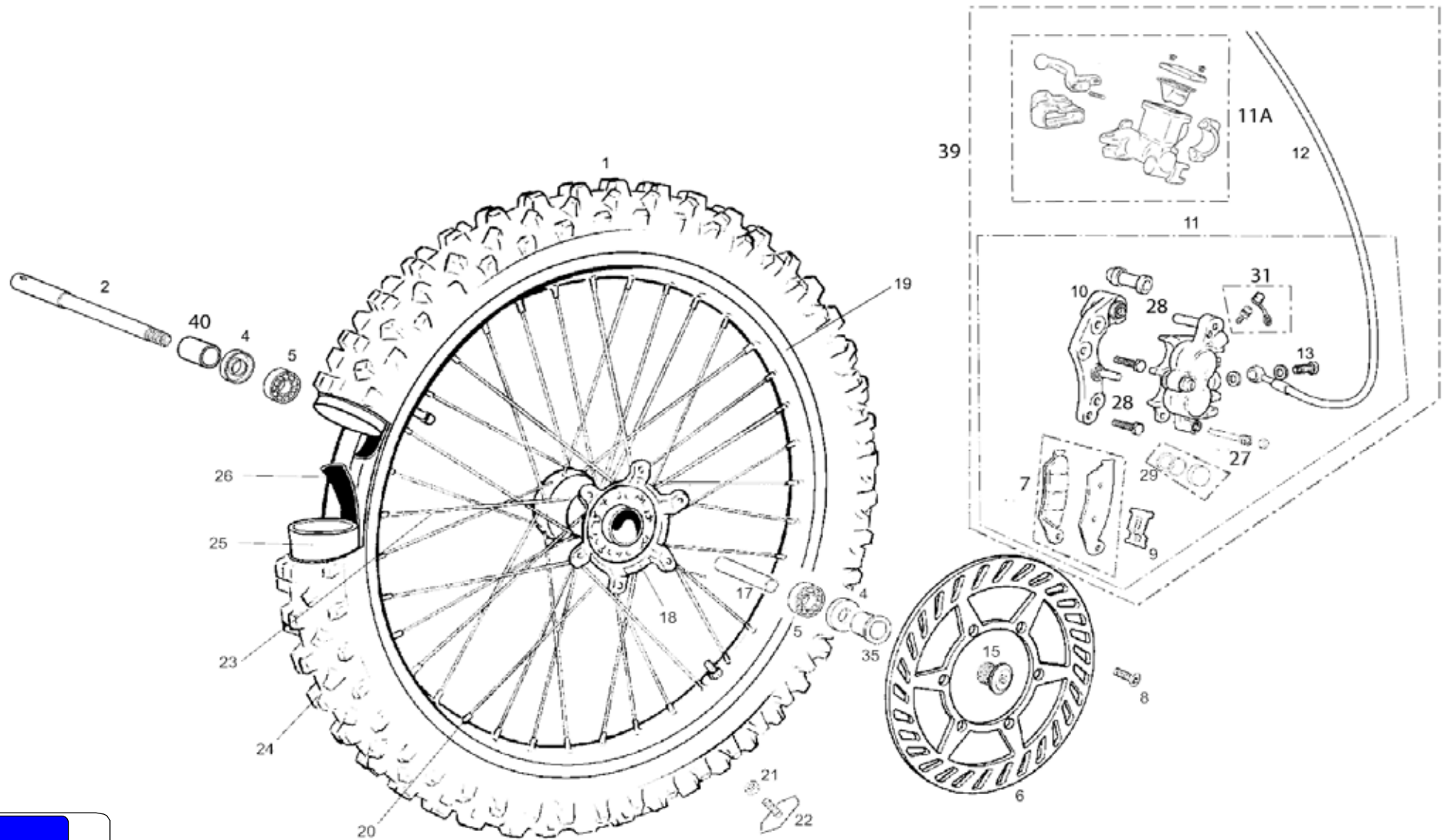


Nº	DESCRIPCION / DESCRIPTION	PAMPERA2007	NUEVAS	Cant.
71	GRIFO GASOLINA / GASOLINE VALVE	BPS400510031		1
72	TUBO GASOLINA ENDUPAM 19cm 400-2006	BPS400510133		1
73	TUBO UNION RADIADORES BEHR / RADIATOR CONNECTION TUBE	BPS450732008		1
74	TUBO T DE PLÁSTICO / PLASTIC T TUBE	MFS450613206		1

Rueda delantera /
Front wheel

GAS GAS

PAMPERA 450 2007

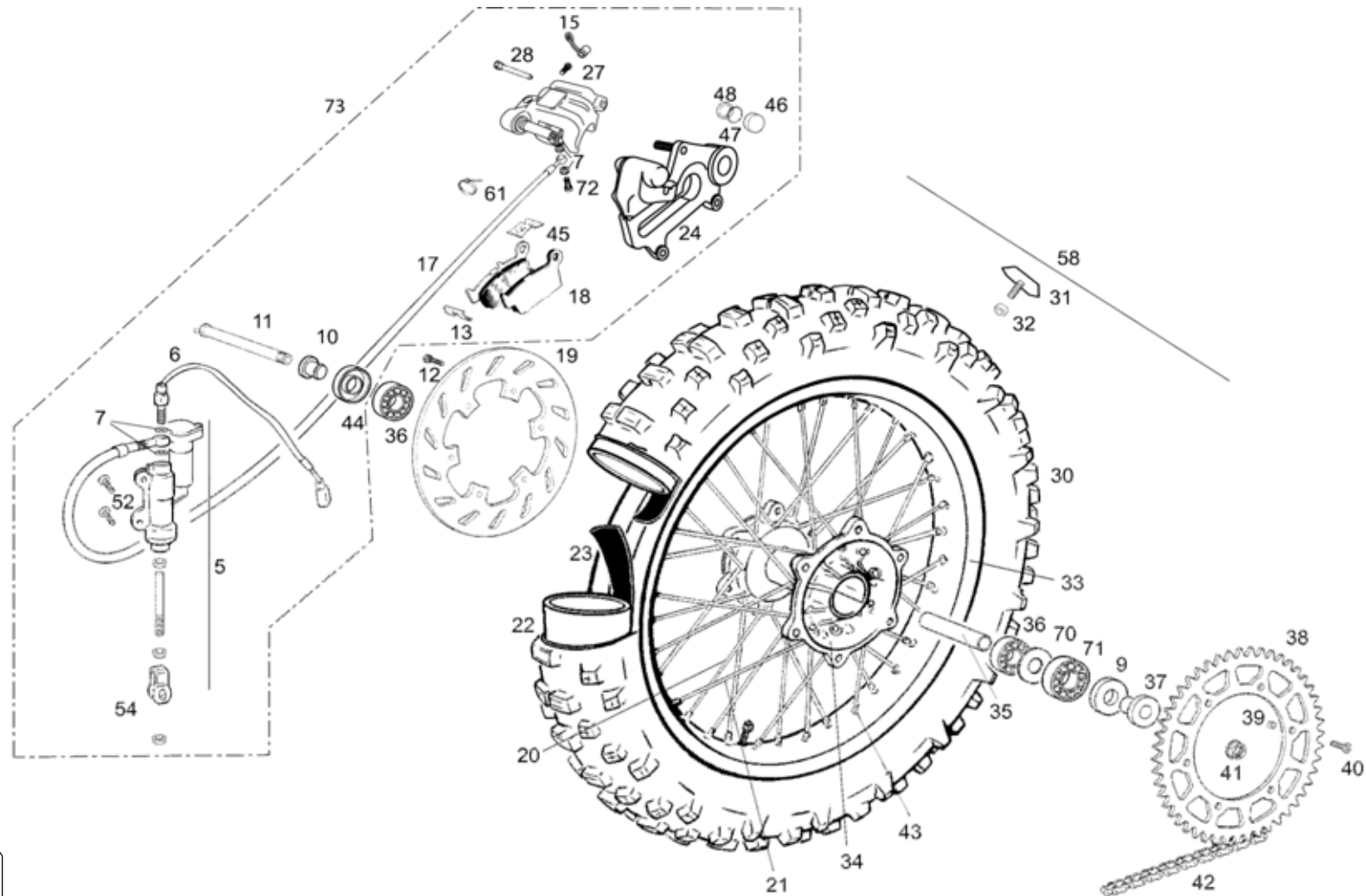


Nº	DESCRIPCION / DESCRIPTION	PAMPERA2007	NUEVAS	Cant.
1	RUEDA DELANTERA / FRONT WHEEL	BFS400518000		1
2	EJE RUEDA DELANTERA / FRONT WHEEL AXIS	BE25818017		1
4	RETÉN RUEDA DELANTERA 25X42X7 / FRONT WHEEL GASKET	C160710		2
5	COJINETE 6905 2RSR / BEARING	ME120136055		2
6	DISCO FRENO DELANTERO / FRONT BRAKE DISC	BE250222011		1
7	JUEGO PASTILLAS DELANTERAS / BRAKE PADS SET	BPS400522065		1
8	HEXAGONAL 6X15 CALIDAD 12,9/ HEXAGONAL SCREW 6X15	T0106015		6
9	PLATINA (A) SUJ. PASTILLAS DEL. / FRONT BRAKE PADS HOLDER BRACKET (A)	BE250022063		1
10	CTO. SOPORTE PINZA DELANTERO / FRONT CALIPER SUPPORT SET	BPS400522110		1
11	PINZA FRENO DELANT. / FRONT BRAKE CALIPER	BPS400522000		1
11A	CONJUNTO BOMBA FRENO (VER CHASIS 1) / BRAKE PUMP SET (TO SEE FRAME 1)	BPS400522008		1
12	LATIGUILLO FRENO DELANTERO / FRONT BRAKE HOSE	BE250022002		1
13	TORNILLO RACORD / RACORD SCREW	BPS400522212		1
15	TORNILLO EJE RUEDA DELANTERA / FRONT WHEEL AXIS SCREW	BE250218026		1
17	DISTANCIADOR / SPACER	BE250418058		1
18	CUBO RUEDA DELANTERO SEP. INT. ALUM. / FRONT WHEEL HUB	BC250018007		1
19	LLANTA / RIM	BPS400518006	BPS400518006	1
20	TUERCA RADIO DELANTERO / FRONT SPOKE NUT	BE250218010		36
21	TUERCA AUTOBLOCANTE BAJA M8 / AUTOBLOCK NUT (LOWER)	T2108001		1
22	AGARRE CUBIERTA DELANTERA / FRONT TIRE HOLDER	R120000		1
23	RADIO DELANTERO 243X3,5 / FRONT SPOKE 243X3.5	BE250218009		36
24	NEUMÁTICO DELANTERO CROSS AC10 80/100-21 / CROSS AC10 80/100-21 FRONT TIRE	BEP250518002/2	BEP250518002/2	1
25	CÁMARA DELANTERA / FRONT AIR HOSE	BT070518004/2	BT070518004/2	1
26	PROTECTOR BANDA DELANTERA / FRONT RIM BAND	BE25618028		1
27	EJE SUJETA PASTILLAS / AXIS BRAKE PADS SUPPORT	BPS40062005		1
28	EJE GUÍA PINZA DELANTERA / AXIS BRAKE CALIPER GUIDE	BPS400522092		2
29	KIT PISTÓN DELANTERO / FORNT PISTON SET	BPS400522071		1
31	KIT SANGRADOR DELANTERO / FRONT BLEEDER CAP	BPS400522059		1
35	CASQUILLO RUEDA DELANTERA / FRONT WHEEL BUSHING	BFS400518018		2
39	CONJUNTO FRENO DELANTERO / FRONT BRAKE SET	BFS400522108		1
40	DISTANCIADOR RUEDA DELANTERA LARGO / FRONT WHEEL LONG SPACER	BFS400518019		1

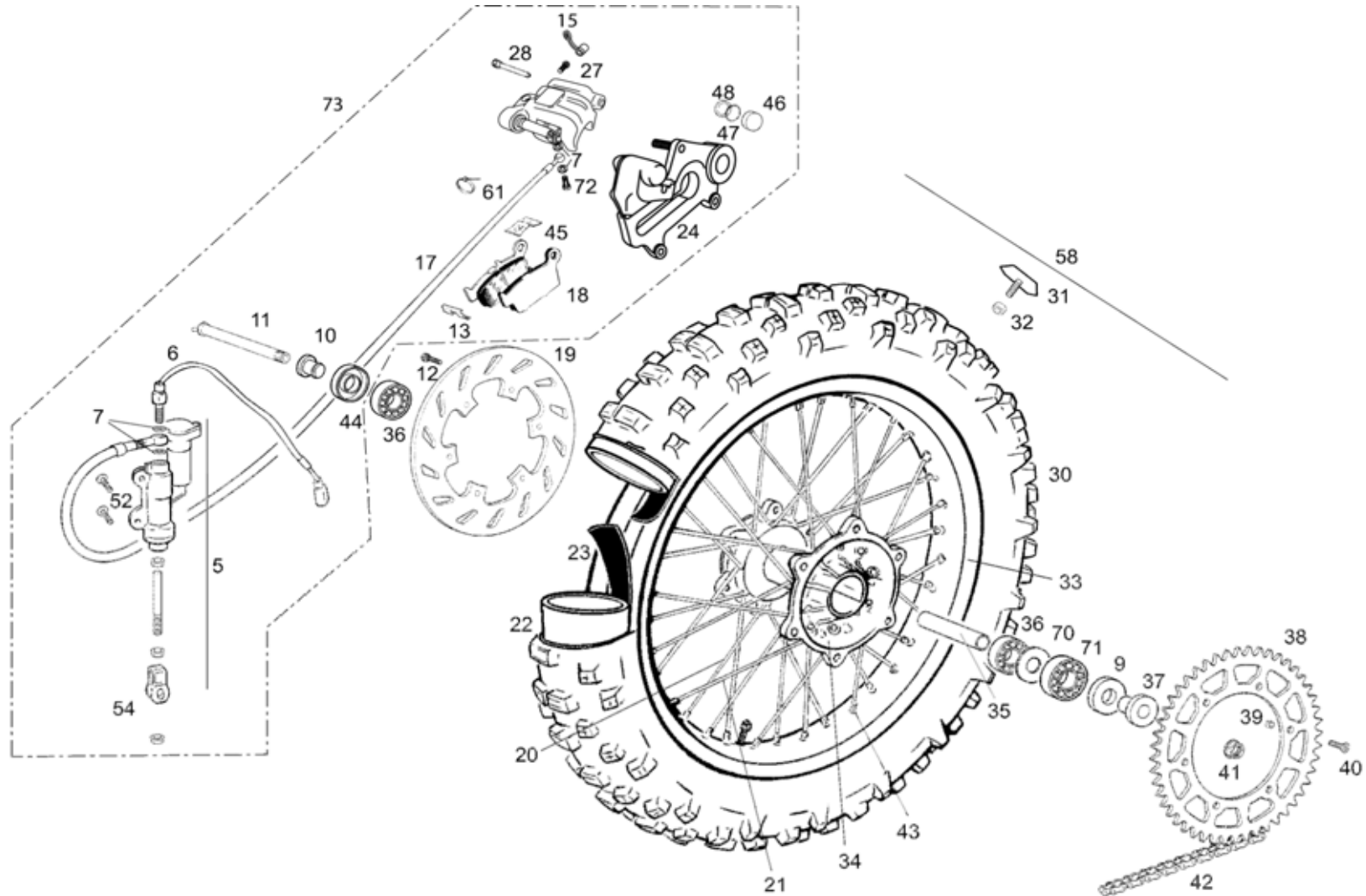
Rueda trasera /
Rear wheel

GAS GAS

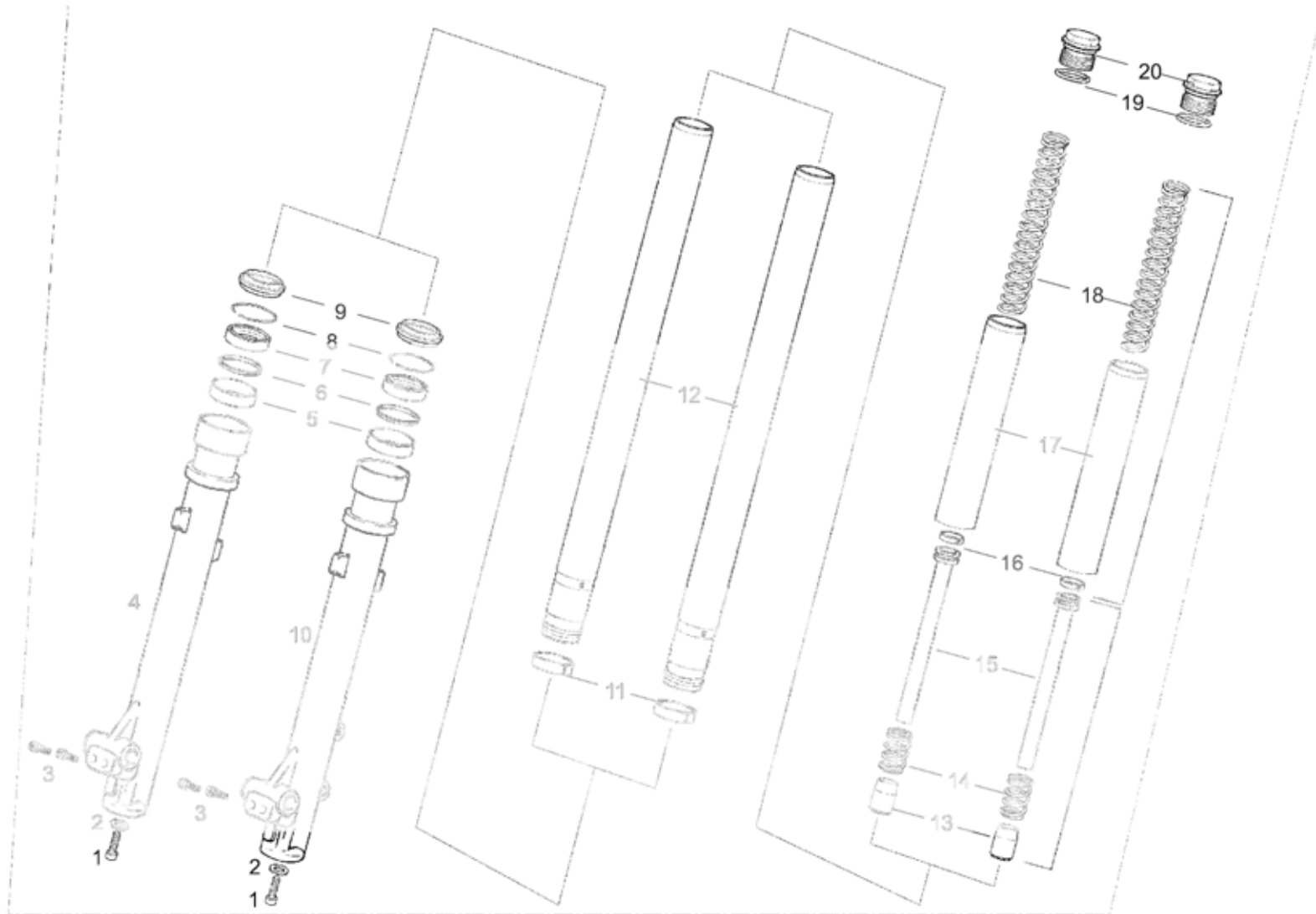
PAMPERA 450 2007



Nº	DESCRIPCION / DESCRIPTION	PAMPERA2007	NUEVAS	Cant.
5	BOMBA FRENO TRASERO AJP / AJP REAR BRAKE PUMP		BPS400522010	1
6	INTERRUPTOR STOP BOMBA 90 / 90 BRAKE PUMP STOP SWITCH *	BPS400534003		1
7	ARANDELA LATIGUILLO 10X14X1 / HOSE WASHER 10X14X1	BPS400522007		4
9	RETÉN RUEDA TRASERA / REAR WHEEL SEAL	BE250318055		1
10	DISTANCIADOR RUEDA TRASERA CORTO / SHORT REAR WHEEL SPACER	BE250018025		1
11	EJE RUEDA TRASERA / REAR WHEEL AXIS	BE25618020		1
12	TORNILLO HEXAGONAL 6X16 DISCO TRAS. / R. DISC BRAKE HEX. SCREW 6X16	BE250018029	T0206014	6
13	PLATINA (A) SUJ. PASTILLAS TRAS. / REAR BRAKE PADS HOLDER BRACKET (A)	BPS400522091		1
15	KIT SANGRADOR / BLEEDER CAP	BPS400522060		1
17	LATIGUILLO FRENO TRASERO / REAR BRAKE HOSE	BPS400722004		1
18	PASTILLAS DE FRENO TRASERO / REAR BRAKE PADS	BPS400522068		1
19	DISCO FRENO TRAS.EC250-2004 / EC250-2004 REAR BRAKE DISC	BE250422012		1
20	RADIO 192X4,5 LADO FRENO 18" / 18" BRAKE-SIDE SPOKE 192X4.5	BE250018015		18
21	RADIO 188X4,5 LADO CORONA 18" / 18" SPROCKET-SIDE SPOKE 188X4.5	BE250018014		18
22	CÁMARA TRASERA 18 CR / REAR AIR HOSE 18 CR	BFS250518004		1
23	PROTECTOR BANDA TRASERA / REAR RIM BAND	BE25618003		1
24	KIT SOPORTE PINZA TRASERA / REAR CALIPER SUPPORT	BPS400522120		1
27	CONUNTO PINZA FRENO TRASERO / REAR BRAKE CALIPER	BPS400522001		1
28	PASADOR PASTILLAS / BRAKE PADS PIN	BPS400622006		1
30	NEUMATICO TRAS. CROSS AC10 110/100-18 / CROSS AC10 110/100-18 REAR TYRE	BEP250518005/2	BEP250518005/2	1
31	AGARRE CUBIERTA TRASERA / REAR TYRE HOLDER	BE250218008		1
32	TUERCA AUTOBLOCANTE BAJA M8 / LOWSELF-LOCKING NUT M8	T2108001		1
33	LLANTA TRASERA / REAR RIM	BPS400518011	BPS400518011	1
34	CUBO RUEDA TRASERA / REAR WHEEL HUB	BE250318027		1
35	DISTANCIADOR RUEDA TRASERA INTE. / REAR WHEEL SPACER	R575700		1
36	COJINETE 6004 2RSR / BEARING 6004 2RSR	C160001		2
37	DISTANCIADOR RUEDA TRASERA LARGO / LONG REAR WHEEL SPACER	BE250318021		1
38	CORONA Z-42 / Z-42 SPROCKET	BE250118034/2SM	BE250118034/2SM	1
39	TUERCA AUTOBLOCANTE M8 ALTA CON ARANDELA / HIGH SELF-LOCKING SPROCKET NUT M8	T2108002	T2208002	6
40	ALLEN CÓNICO 8X30 / CONIC ALLEN SCREW 8X30	BE25618030		6
41	TUERCA AUTOBLOCANTE RUEDA TRASERA / REAR WHEEL SELF-LOCKING NUT	BE25618023		1
42	CADENA 108 PASOS / 108 STEPS CHAIN	BPS400510036	BPS400510036	1
43	TUERCA RADIO TRASERO / REAR SPOKE NUT	BE250018016		36



Nº	DESCRIPCION / DESCRIPTION	PAMPERA2007	NUEVAS	OBSERVACIONES	Cant.
44	RETÉN / SEAL	C160710			1
45	PLATINA (B) SUJ. PAST. TRASERAS / REAR BRAKE PADS HOLDER BRACKET (B)	BPS400522091			2
46	KIT PISTÓN PINZA FRENO TRASERO / REAR BRAKE CALIPER PISTON SET	BPS400522069			2
52	ULS M6X16 / M6X16 ULS	T0506016			2
54	HORQUILLA BOMBA FRENO / BRAKE PUMP FORK	BPS400522014			3
58	RUEDA TRASERA / REAR WHEEL SET	BFS400518100	BFS400518100		1
61	BRIDA UNEX CORTA / SHORT CLAMP	BE25634010			3
70	ARANDELA INTERIOR CUBO / INTERIOR HUB WASHER	BE250318056			1
71	COJINETE RUEDA 6005-25R1 C3 / WHEEL BEARING	BE250318054			1
72	RACORD ULS / ULS RACORD	BPS400522006			1
73	CONJUNTO FRENO TRASERO / REAR BRAKE SET	BPS450722118			1

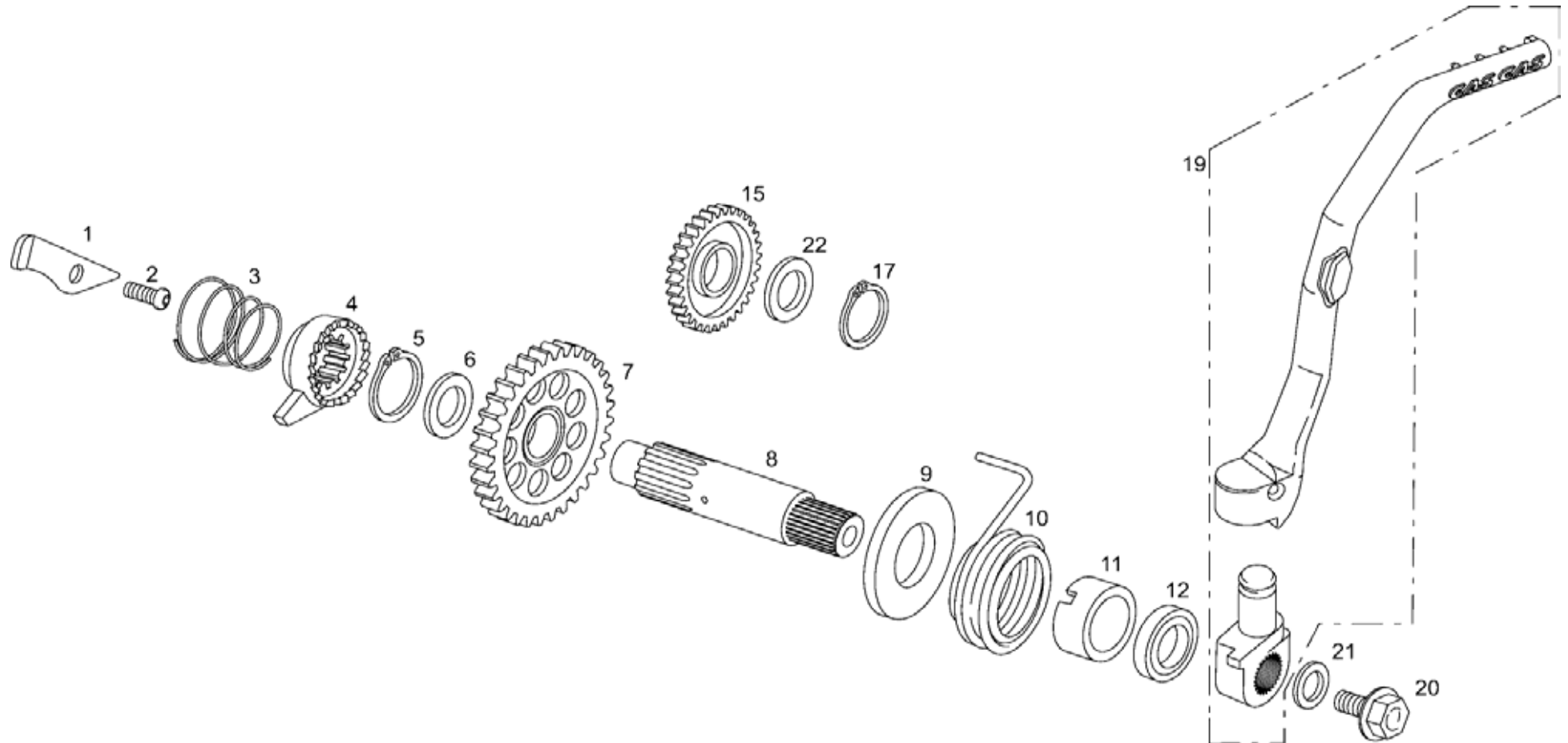


Nº	DESCRIPCION / DESCRIPTION	PAMPERA2007	NUEVAS	OBSERVACIONES	Cant.
1	ALLEN SUJECCION CTO. HIDRAULICO / HYDRAULIC SET ALLEN BOLT				2
2	ARANDELA / WASHER				2
3	TORNILLO ALLEN / ALLEN BOLT				4
4	BASE HORQUILLA DERECHA / RIGHT FORK BASE				1
5	GLACIER / GLACIER				2
6	ANILLO DE CIERRE / CLOSE RING				2
7	RETEN SUSPENSION / SUSPENSION SEAL				2
8	CIRCLIP / CIRCLIP				2
9	GUARDAPOLVO / DUSTKEEPER				2
10	BASE HORQUILLA IZQUIERDA / LEFT FORK BASE				1
11	GLACIER / GLACIER				2
12	BARRA SUSPENSIÓN / SUSPENSION INNER TUBE				2
13	TAPON FONDO BOTELLA / FORK LEG CAP				2
14	MUELLE REBOTE / REBOUND SPRING				2
15	EJE AMORTIGUADOR / AXIS				2
16	ANILLO PISTON / PISTON RING				2
17	TUBO / TUBE				2
18	MUELLE BOTELLA / BOTTLE SPRING				2
19	JUNTA TÓRICA / O'RING				2
20	TAPON / CAP				2
21	SUSPENSIÓN DEL. PAMPERA / PAMPERA FRONT SUSPENSION	BFS400514000			2

Conjunto pedal
arranque / Kickstart set

GAS GAS

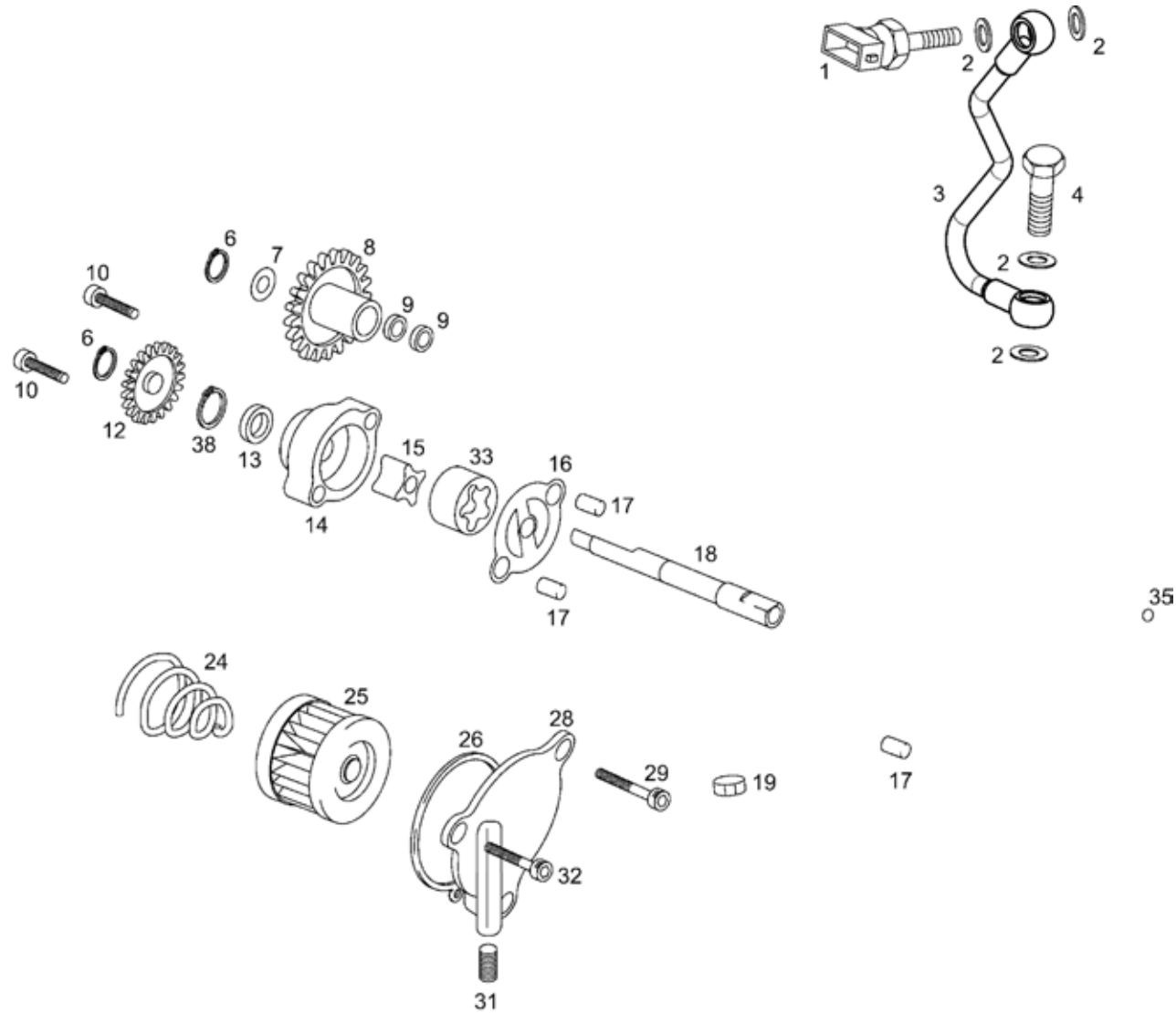
PAMPERA 450 2007



1

Nº	DESCRIPCION / DESCRIPTION	PAMPERA2007	NUEVAS	Cant.
1	PLATINA TRINQUETE ARRANQUE / KICKSTARTER GUIDE	MFS400136005		1
3	MUELLE TRINQUETE ARRANQUE / KICKSTARTER SPRING	ME25636006		1
4	TRINQUETE ARRANQUE / KICKSTARTER	ME120126004		1
5	SEEGER DE 20 ARRANQUE / CIRCLIP	ME25636052		1
6	ARANDELA TOPE 20,2X27X1 / END WASHER 20,2X27X1	ME25636000		1
7	PIÑÓN ARRANQUE / KICKDRIVE GEAR	MFS450826002		1
8	EJE ARRANQUE / KICKSTARTER SHAFT	ME250126003		1
9	ARANDELA ARRANQUE 20X40X1 / KICKSTARTER WASHER 20X40X1	ME25636051		1
10	MUELLE ARRANQUE / KICKSTARTER SPRING	ME25636007		1
11	CASQUILLO CENTRADOR MUELLE ARRANQUE / KICKSTARTER SPRING BUSHING	ME250136053		1
12	RETÉN PEDAL ARRANQUE 20X30X7 / KICKSTARTER OIL SEAL 20X30X7	ME25632021		1
15	PIÑÓN INTERMEDIO ARRANQUE / KICKSTART INTERMEDIATE PINION	ME250126001		1
17	SEEGER EJE 15 EMBRAGUE / CLUTCH AXLE SEEGER 15	ME25632017		1
19	CTO. PEDAL ARRANQUE ALUM. MUÑ. D.18 / KICKSTARTER LEVER SET	MFS450526060		1
20	TORNILLO PEDAL ARRANQUE / KICK STARTER SCREW	BE250036062		1
21	TÓRICA PEDAL ARRANQUE / KICK STARTER O´RING	ME250036063		1
22	VOLANDERA PIÑÓN ARRANQUE 24x15.15x0.8 / KICKSTARTER PINION WASHER 24x15.15x0.8	ME25636012		1

Motor 1



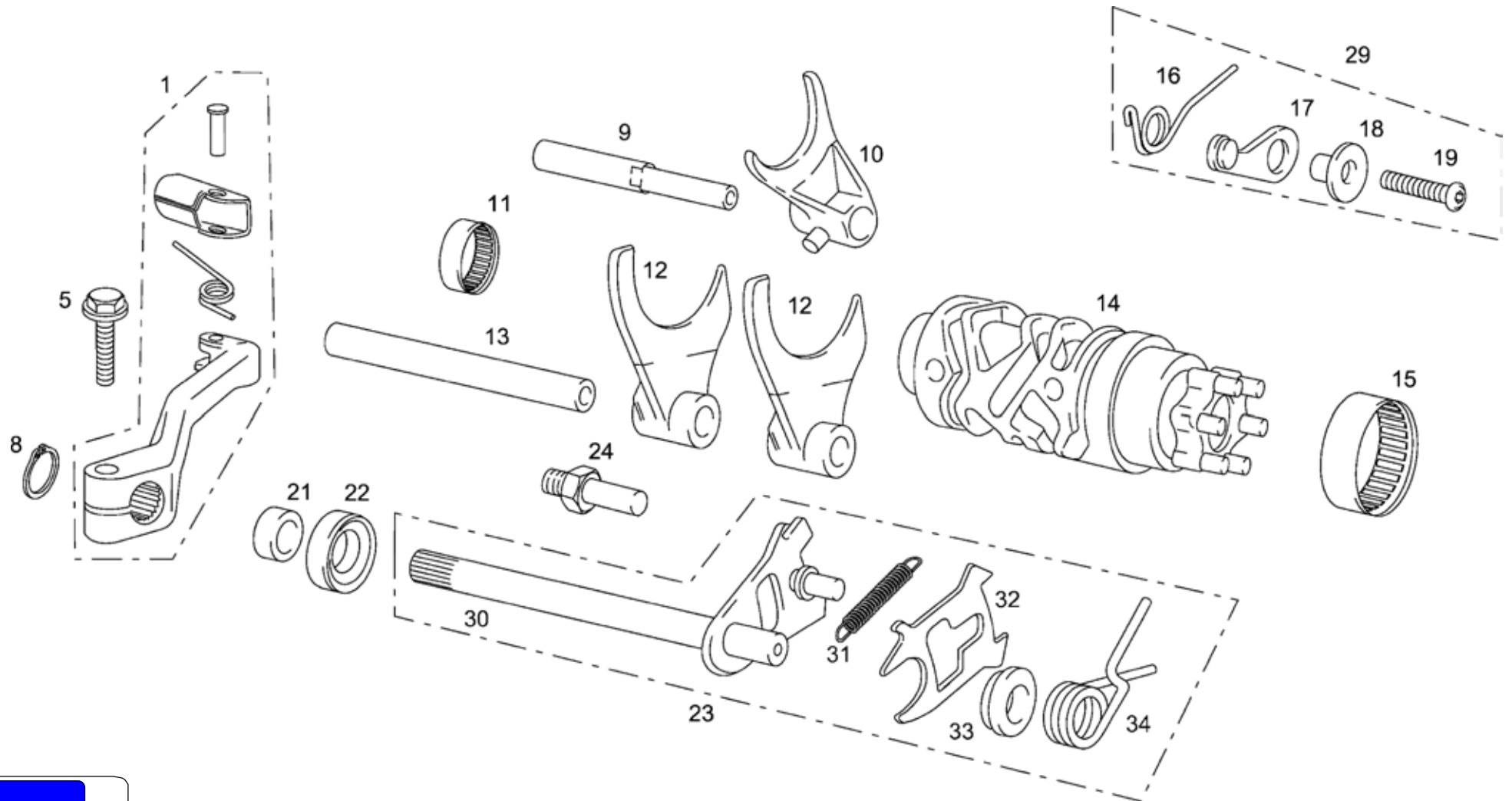
Nº	DESCRIPCION / DESCRIPTION	PAMPERA2007	NUEVAS	Cant.
1	SENSOR PRESIÓN ACEITE ENDURO / ENDURO OIL PRESSION SENSOR	MFS400326568		1
2	ARANDELA COBRE 8X12X1,5 / 8X12X1,5 WASHER	T4008012		4
3	DISTRIBUIDOR ACEITE / OIL SUPPLY	MFS450710856		1
4	RACOR CIRCUITO ACEITE 8X26 / 8X26 OIL RACORD	MFS400122570		1
6	SEEGER D.8 EJE BOMBA ACEITE / OIL AXIS SEEGER	MFS400122305		2
7	ARANDELA REGLAJE 8,1X17X0,2 / 8,1X17X0,2 WASHER	ST950705		1
8	PIÑÓN INTERMEDIO BOMBA DE ACEITE / OIL PUMP INTERMEDIATE SPROCKET	MFS400122450CT		1
9	COJINETE HK 0808 / HK 0808 BEARING	MFS400126535/2		2
10	TORNILLO 6X35 / 6X35 SCREW	T0306035		2
12	PIÑÓN BOMBA ACEITE / OIL PUMP PINION	MFS400122400		1
13	COJINETE 508Z / 508Z BEARING	ME25616032		1
14	CUERPO BOMBA ACEITE PRESIÓN / OIL PUMP BODY	MFS400122230		1
15	ROTOR BOMBA ACEITE / OIL PUMP ROTOR	MFS400122105		1
16	JUNTA BOMBA ACEITE / OIL PUMP GASKET	MFS400122410		1
17	CASQUILLO CENTRADOR / CENTRER BUSHING	MFS400116066		4
18	EJE BOMBA ACEITE / OIL PUMP AXLE	MFS450622300		1
19	ABRAZADERA COBRA 21 / 21 CLAMP	L200046		1
24	MUELLE APRETADOR FILTRO ACEITE / OIL FILTER SPRING	MFS400122560		1
25	FILTRO ACEITE / OIL FILTER	MFS400122550		1
26	TÓRICA TAPA FILTRO ACEITE / OIL FILTER COVER O'RING	MFS450622555		1
28	TAPA FILTRO ACEITE / AIR FILTER COVER	MFS450522551		1
29	TORN. ESPECIAL 6X50 / SPECIAL SCREW 6X50	T0206050		1
31	TORNILLO ESPECIAL M8 / SPECIAL SCREW M8	T0208103		1
32	TORN. ESPECIAL 6X55 / SPECIAL SCREW 6X55	T0206055		1
33	ANILLO BOMBA EATON PRESIÓN / EATON PRESSURE PUMP RING	MFS400122110		1
35	TÓRICA CENTRÍFUGO 6X2 / 6X2 O'RING	ME25616045		1
38	SEEGER RODAMIENTO / BEARING SEEGER	MFS450422240		1

Motor 2

Selector de cambio /
Shift cam

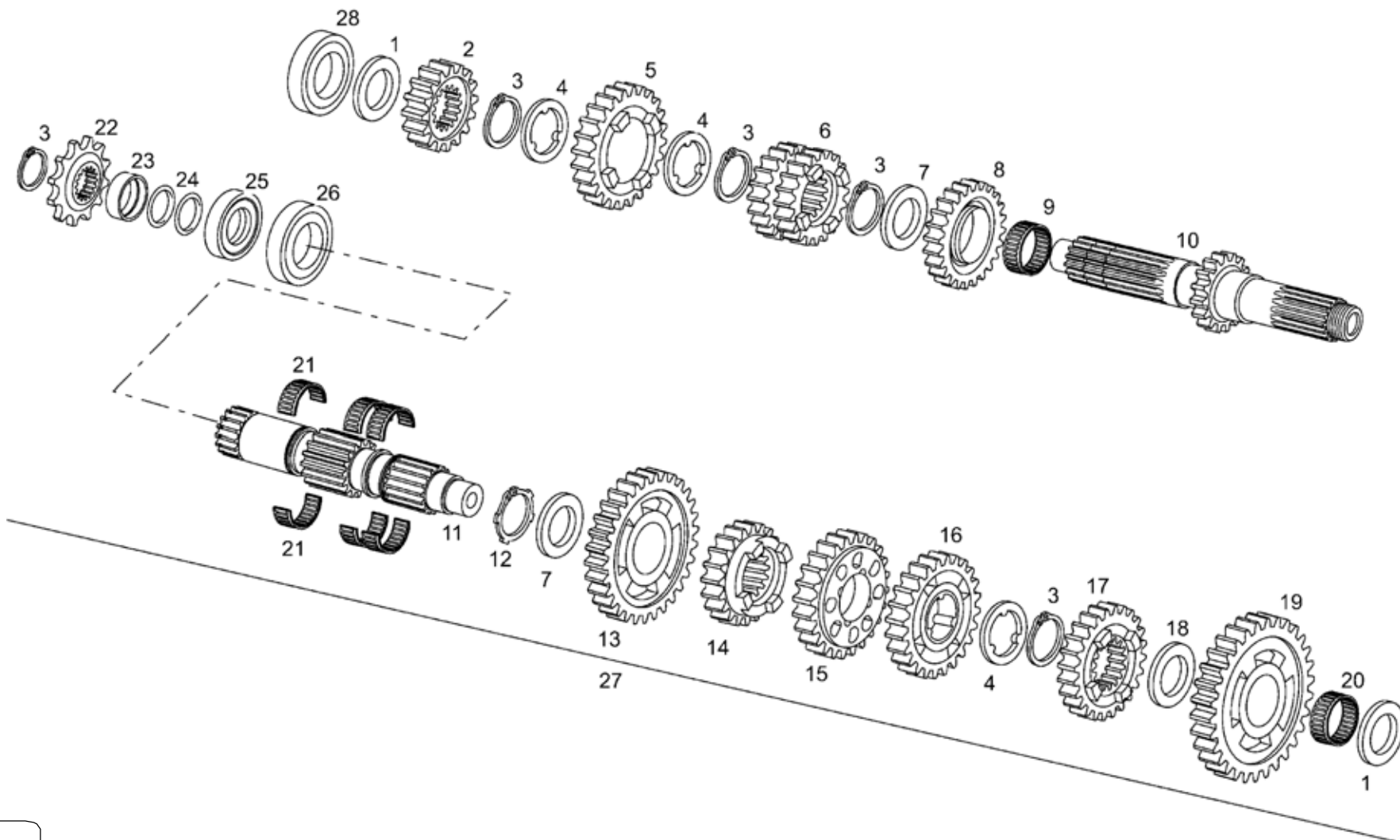
GAS GAS

PAMPERA 450 2007



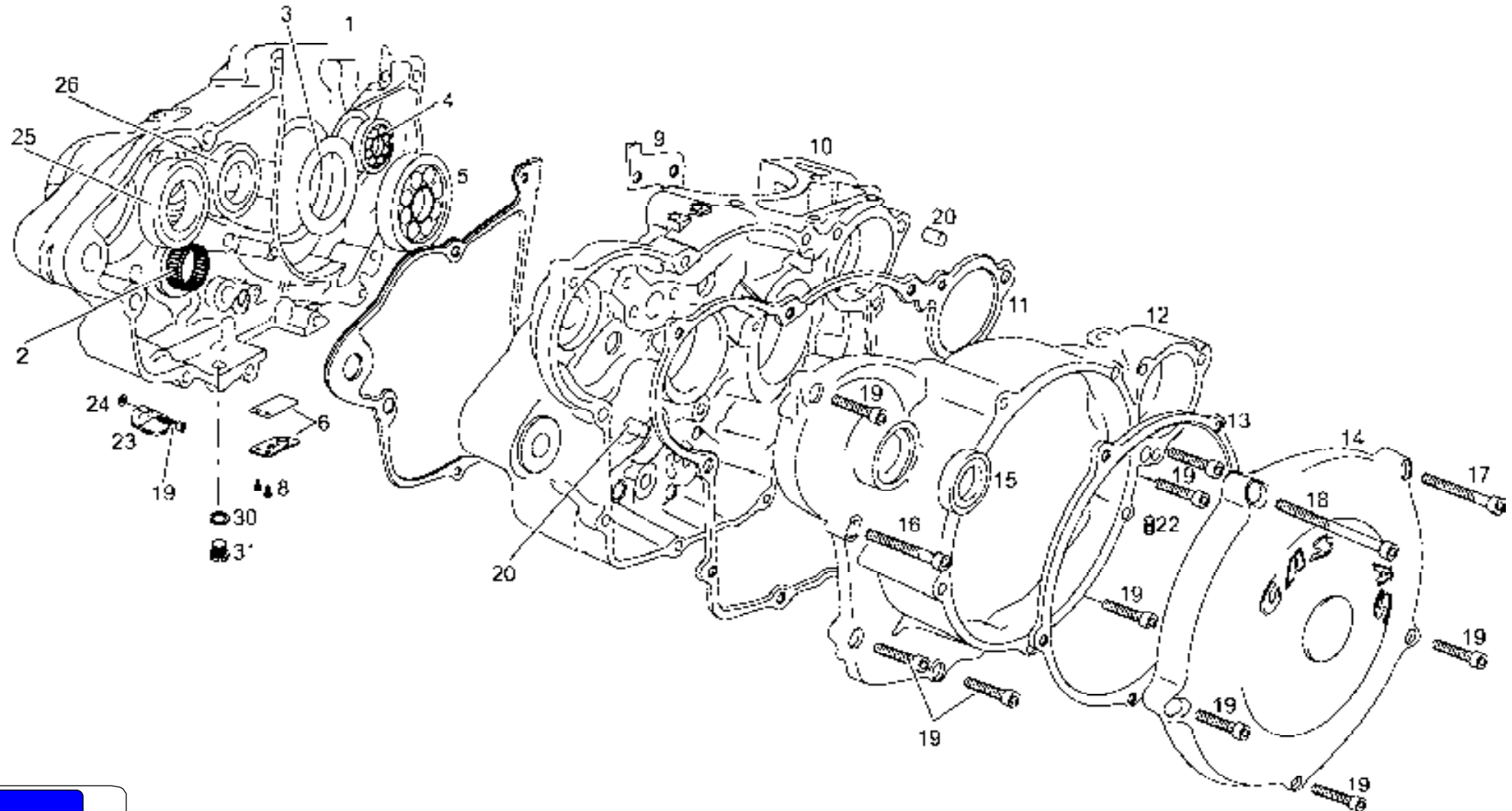
Nº	DESCRIPCION / DESCRIPTION	PAMPERA2007	NUEVAS	Cant.
1	CTO. PEDAL CAMBIO / GEAR LEVER SET	ME250036026R		1
5	HEXAGONAL 6X20 / HEXAGONAL SCREW 6X20	T0106025		1
8	SEEGER 12X1 EXTERIOR EJE SELECTOR / SEEGER 12X1	ME25636043		1
9	EJE HORQUILLA 5-6 / 5-6 FORK AXIS	MFS400136045		1
10	HORQUILLA 5-6 / SHIFT FORK 5-6	ME25636009		1
11	RODAMIENTO HK2512 DESMODRÓMICO / SHIFT CAM BEARING	ME25636055		1
12	HORQUILLA 1-2-3-4 / SHIFT FORK 1-2-3-4	ME25636008		1
13	EJE HORQUILLA 1-2-3-4 / 1-2-3-4 FORK AXIS	ME25636044		2
14	DESMODRÓMICO / SHIFT CAM	MFS450536031		1
15	RODAMIENTO HK3512 DESMODRÓMICO / SHIFT CAM BEARING	ME25636054		1
16	MUELLE FIJADOR MARCHAS / GEAR FASTEN SPRING	MFS400136034		1
17	FIJADOR MARCHAS / GEAR FASTEN	MFS400136033		1
18	CASQUILLO PLATINA FIJADOR MARCHAS / GEAR BUSHING	MFS400136047		1
19	ULS 6X16 / 6X16 ULS	T0506016		1
21	RETÉN SELECTOR 12-22-7 / SEAL 12-22-7	ME25636048		1
22	CASQUILLO EJE SELECTOR / AXIS BUSHING	ME250136050		1
23	EJE SELECTOR COMPLETO FSE 450 / FSE 450 COMPLET SELECTOR AXIS	MFS450436038CT		1
24	TORNILLO CENTRADOR MUELLE SELECTOR / SELECTOR SPRING SCREW	ME25636042		1
29	CTO. FIJADOR MARCHAS / GEAR FASTEN SET	MFS400136033CT		1
30	EJE SELECTOR / SELECTOR AXIS	ME250236038		1
31	MUELLE ESCORPIÓN / SCORPION SPRING	ME25636039		1
32	ESCORPIÓN / SCORPION	ME250236036		1
33	CASQUILLO CENTRADOR / CENTRER BUSHING	MFS450436041		1
34	MUELLE SELECTOR / SELECTOR SPRING	ME25636035		1

Motor 3



Nº	DESCRIPCION / DESCRIPTION	PAMPERA2007	NUEVAS	Cant.
1	ARANDELA 18x40x0,6 / 18X40X0,6 WASHER	ME25636014		2
2	PIÑÓN PRIMARIO II / PRIMARY II PINION	ME25636071		1
3	CIRCLIP D.25 DIN 471 REBAJADO / DIN 471 CIRCLIP	ME25936084		5
4	ARANDELA 31,5x(25x22)x1 ESTRIADA / 31,5x(25x22)x1 GROOVING WASHER	ME25636091		3
5	PIÑÓN PRIMARIO VI / PRIMARY VI PINION	ME25636074		1
6	PIÑÓN PRIMARIO III Y IV / PRIMARY III AND IV PINION	ME25636072		1
7	ARANDELA 25,2x31,5x1 CAMBIO / 25,2x31,5x1 GEAR WASHER	ME25636017		2
8	PIÑÓN PRIMARIO V / PRIMARY V PINION	ME2563073		1
9	COJINETE AGUJAS K25-29-10 / K25-29-10 NEEDLES BEARING	M02616000		1
10	EJE PRIMARIO / PRIMARY AXIS	MFS400136070		1
11	EJE SECUNDARIO / SECONDARY AXIS	MFS450336075		1
12	CIRCLIP D.25 DIN 983 / DIN 983 CIRCLIP	ME25636095		1
13	PIÑÓN SECUNDARIO II / SECONDARY II PINION	ME25636077		1
14	PIÑÓN SECUNDARIO VI / SECONDARY VI PINION	ME250136081		1
15	PIÑÓN SECUNDARIO III / SECONDARY III PINION	ME25636078		1
16	PIÑÓN SECUNDARIO IV / SECONDARY IV PINION	ME25636079		1
17	PIÑÓN SECUNDARIO V / SECONDARY V PINION	ME25636080		1
18	ARANDELA 20,8x29x1 CAMBIO / 20,8x29x1 GEAR WASHER	ME25636016		1
19	PIÑÓN SECUNDARIO I / SECONDARY I PINION	ME25636076		1
20	RODAMIENTO AGUJAS K20x24x10 / K20x24x10 NEEDLES BEARING	ME25636059		1
21	RODAMIENTO AGUJAS K25x22x9,8 / K25x22x9,8 NEEDLES BEARING	ME250236102		6
22	PIÑÓN SALIDA Z. 13 / Z13 EXIT PINION	ME25636025		1
23	DOLLA RETÉN SALIDA CAMBIO / GEAR EXIT SEAL	ME25636046		1
24	TÓRICA 25x2 NBR PIÑÓN SALIDA / EXIT PINION SEAL	ME25632025		2
25	RETÉN 25X40X7 / 25X40X7 SEAL	M01217001A		1
26	RODAMIENTO CAMBIO 6205 C3 / GEAR 6205 C3 BEARING	ME25636056		1
27	GRUPO CAMBIO COMPLETO / GEAR SET	MFS450636010		1
28	COJINETE 6305 2Z C3 CAMBIO / GEAR 6305 2RSH BEARING	MFS400136167		1

Motor 4



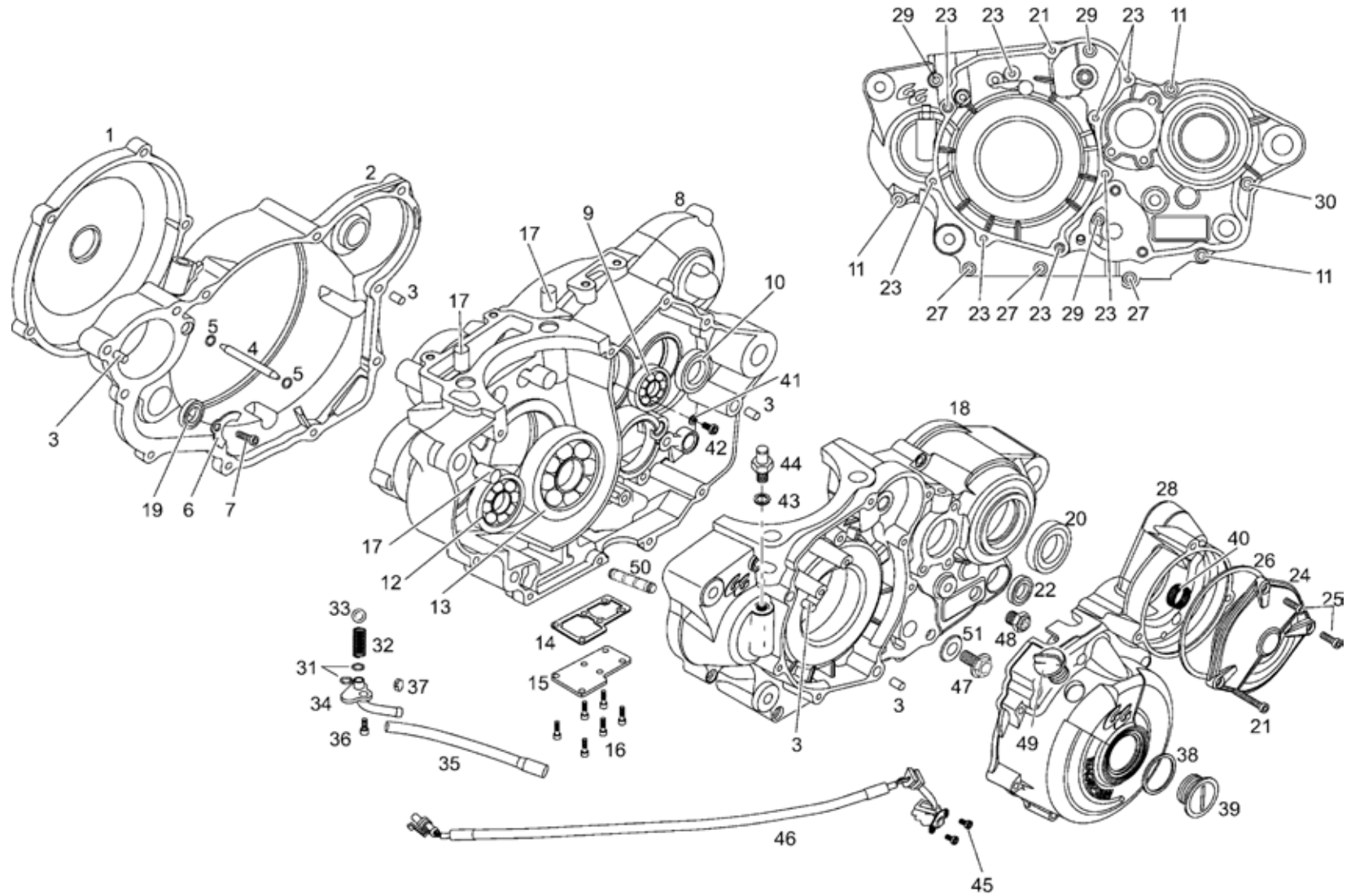
Nº	DESCRIPCION / DESCRIPTION	PAMPERA2007	NUEVAS	Cant.
1	CÁRTER IZQUIERDO / LEFT CARTER	MQ450710001		1
2	RODAMIENTO HK2512 / HK2512 BEARING	ME25636055		1
3	ARANDELA OBTURACIÓN / WASHER	MFS450612027		1
4	RODAMIENTO 6303 C3 / 6303 C3 BEARING	MFS400112030		1
5	COJINETE 6306 C4 / 6306 C4 BEARING	ME25612007/2		1
6	CTO. LÁMINAS OBTURACIÓN PASO ACEITE / OIL OBTURATION REED KIT	MFS400110120		1
8	PHILIPS TORNILLO 3X5 / 3X5 SCREW PHILIPS	T0703005		2
9	JUNTA CÁRTER CENTRAL / CENTRAL CRANKCASE GASKET	MQ450544001		1
10	CÁRTER DERECHO / RIGHT CRANKCASE	MQ450710000		1
11	JUNTA TAPA EMBRAGUE / CLUTCH COVER GASKET	MQ450544002		1
12	TAPA EMBRAGUE / CLUTCH COVER	MFS450732001		1
13	JUNTA TAPA DISCOS EMBRAGUE / DISCS COVER GASKET	ME25644003		1
14	TAPA DISCOS EMBRAGUE / DISCS CLUTCH COVER	MFS450732002		1
15	RETÉN 20/30/7/AI / 20/30/7/AI SEAL	ME25632021		1
16	TORN. ESPECIAL 6X30 / 6X30 SPECIAL SCREW	T0206030		1
17	TORN. ESPECIAL 6X60 / 6X60 SPECIAL SCREW	T0206060		1
18	TORN. ESPECIAL 6X80 / 6X80 SPECIAL SCREW	T0206080		1
19	TORN. ESPECIAL 6X25 / 6X25 SPECIALSCREW	T0206025		7
20	CASQUILLO CENTRADOR CÁRTER / CRANKCASE BUSHING	ME25610018		2
22	TORNILLO ESPECIAL M6 / M6 SPECIAL SCREW	MFS400136065		1
23	CAMPANA ASPIRACIÓN ACEITE / OIL ASPIRATE	MFS400122550		1
24	TÓRICA 11,2X15X1,4 / 11,X15X1,4 O'RING	MFS400110026		1
25	COJINETE 6203 2Z C3 / 6203 2Z C3 BEARING	MFS400136168		1
26	COJINETE 6205 C3 2RSH / 6205 C3 2RSH BEARING	ME25636056		1
30	ARANDELA COBRE 12X18X1,5 / 12X18X1,5 WASHER	ME25810030		1
31	TAPÓN VACIADO ACEITE CON IMÁN / OIL DRAIN CAP WITH MAGNE	ME25610017		1

Motor 5

Cárter izquierdo /
Left crankcase

GAS GAS

PAMPERA 450 2007



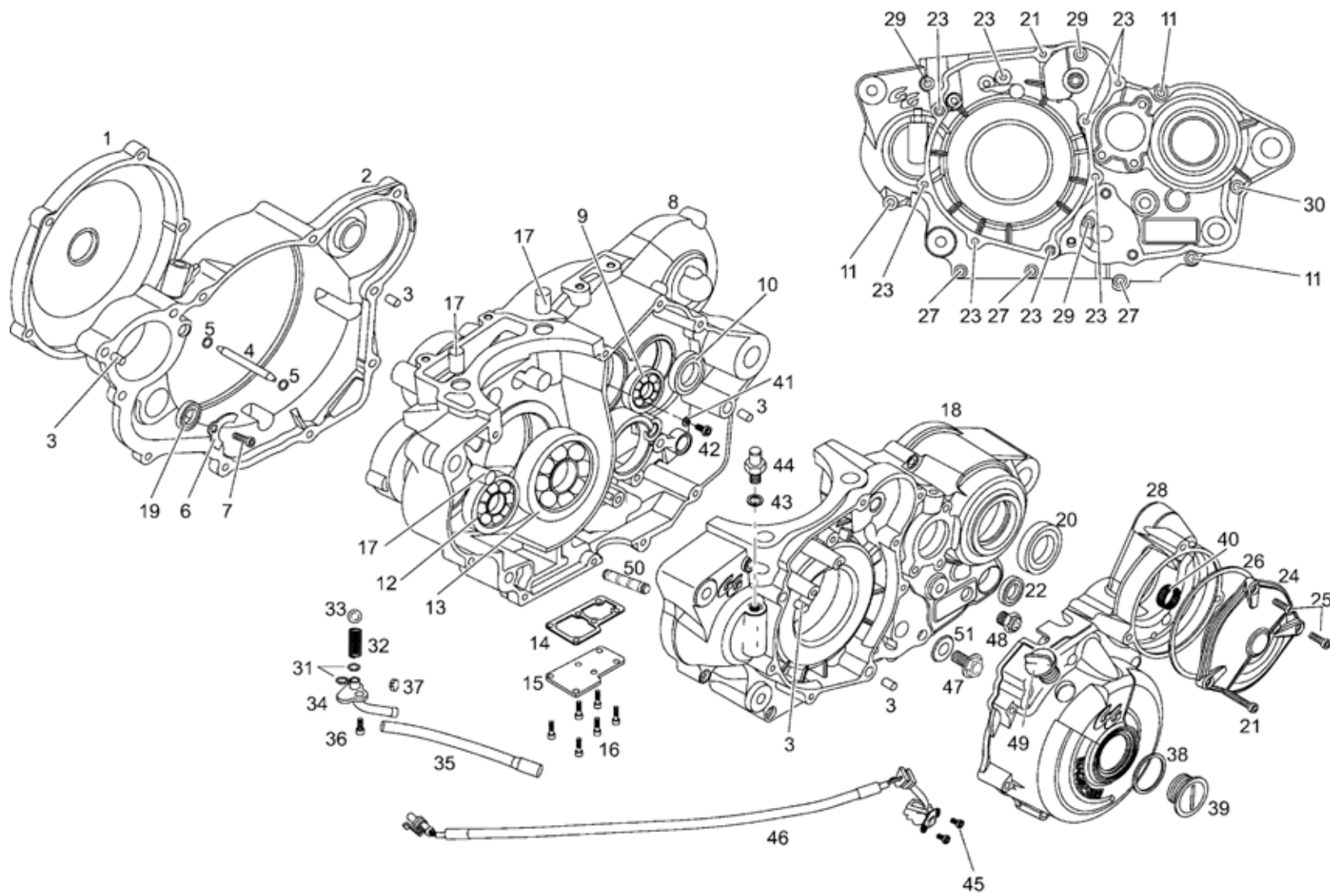
Nº	DESCRIPCION / DESCRIPTION	PAMPERA2007	NUEVAS	Cant.
1	TAPA DISCOS EMBRAGUE / CLUTCH DISCS COVER	MFS450732002		1
2	TAPA EMBRAGUE EC400 4T / CLUTCH COVER	MFS400732001CT		1
3	CASQUILLO CENTRADOR CÁRTER / CRANKCASE BUSHING	ME25610018		5
4	CONDUCTO ACEITE DIAM. 2.5X7.8 PISTÓN / 2.5X7.8 OIL PISTON PIPE	MFS450610023		1
5	TÓRICA 9X2 / 9X2 O'RING	MFS400110025		2
8	CÁRTER DERECHO ALUMINIO EC400 4T / EC400 4T RIGHT ALUMINIUM CRANKCASE	MFS450710000		1
9	RODAMIENTO 6205 C3 2RSH / 6205 C3 2RSH BEARING	ME25636056		1
10	RODAMIENTO 6203 2Z C3 / 6203 2Z C3 BEARING	MFS450536168		1
11	ALLEN 6X35 / 6X35 ALLEN SCREW	T0306035		3
12	RODAMIENTO 6303 C3 SKF / 6303 C3 SKF BEARING	MFS400112030		1
13	RODAMIENTO 6306 C4 KOYO / 6306 C4 KOYO BEARING	ME25612007/2		1
14	JUNTA TAPA ACCESO INFERIOR CÁRTER / INFERIOR CRANKCASE COVER GASKET	MFS450510123		1
15	TAPA ACCESO INFERIOR CÁRTER / INFERIOR CRANKCASE COVER	MFS450610122		1
16	ALLEN 6X16 / 6X16 ALLEN SCREW	T0306016		6
17	CENTRADOR CULATA L18 EC400 4T / CYL. HEAD BUSHING	MFS400116066		3
18	CÁRTER IZQUIERDO ALUMINIO EC400 4T / EC400 4T LEFT ALUMINIUM CRANKCASE	MFS450510001		1
19	RETÉN 24X14X7AS.P-NB / 24X14X7AS.P-NB SEAL	MFS450712008		1
20	RETÉN SALIDA CAMBIO 25X40X7 / 25X40X7 GEAR SEAL	M01217001A		1
21	ALLEN 5X75 / 5X75 ALLEN SCREW	T0305075		1
22	RETÉN EJE SELECTOR 12-22-7 AS-CC / 12-22-7 AS-CC SELECTOR AXIS SEAL	ME25636048		1
23	ALLEN 5X35 / 5X35 ALLEN SCREW	T0305035		8
24	SUB-TAPA ARRANQUE FSE 450-2005 / FSE 450-2005 STARTER COVER	MFS450510028		1
25	ALLEN 5X16 / 5X16 ALLEN SCREW	T0305016		2
26	TÓRICA 80X2 SUB-TAPA ARRANQUE FSE450-2005 / FSE450-2005 80X2 STARTER COVER	MFS450510029		1
27	ALLEN 6X45 / 6X45 ALLEN SCREW	T0306045		3
28	TAPA VOLANTE MAGNÉTICO / IGNITION COMP. COVER	MFS450610004		1
29	ALLEN 6X55 / 6X55 ALLEN SCREW	T0306055		3
30	ALLEN 6X65 / 6X65 ALLEN SCREW	T0306065		1
31	TÓRICA 1,78x7,94 TAPA ENTRADA ACEITE CÁRTER / 1,78x7,94 O'RING	T0306060		2
32	MUELLE RETORNO ACEITE EC400-4T / EC400-4T OIL RETURN SPRING	MFS400122311		1
33	BOLA CENTRÍFUGO EMB.DE 8 m/m. / 8 mm BALL	MFS400122315		1
34	TAPA ENTRADA ACEITE CÁRTER / OIL INNER COVER	ME25616033		1
35	TUBO VACIADOR DEPÓSITO ACEITE EC400-4T / EC400-4T OIL HOSE EMPTIER	MFS400122310		1
36	ALLEN 6X12 / 6X12 ALLEN SCREW	MFS400122150		1

Motor 6

Cárter izquierdo /
Left crankcase

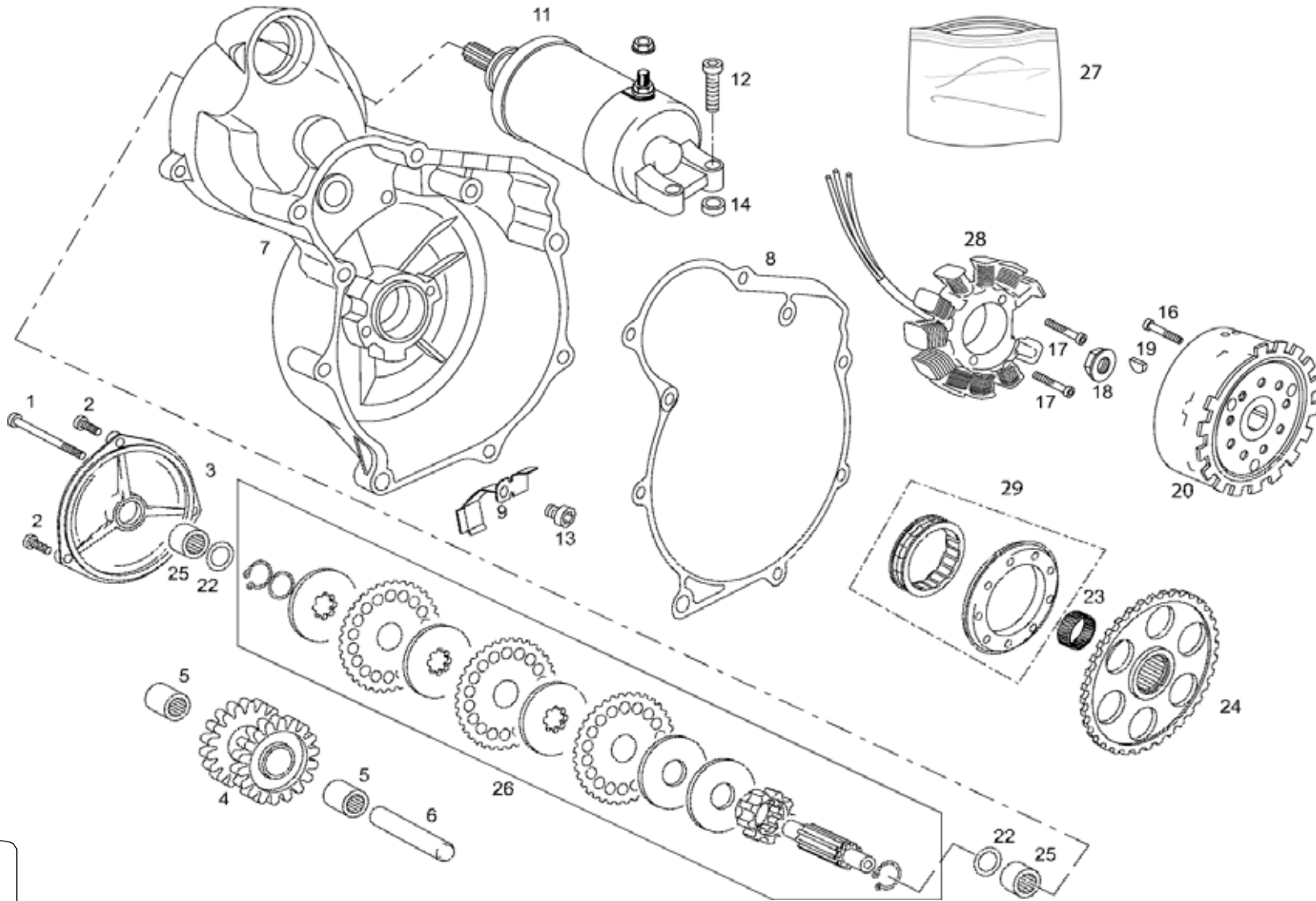
GAS GAS

PAMPERA 450 2007



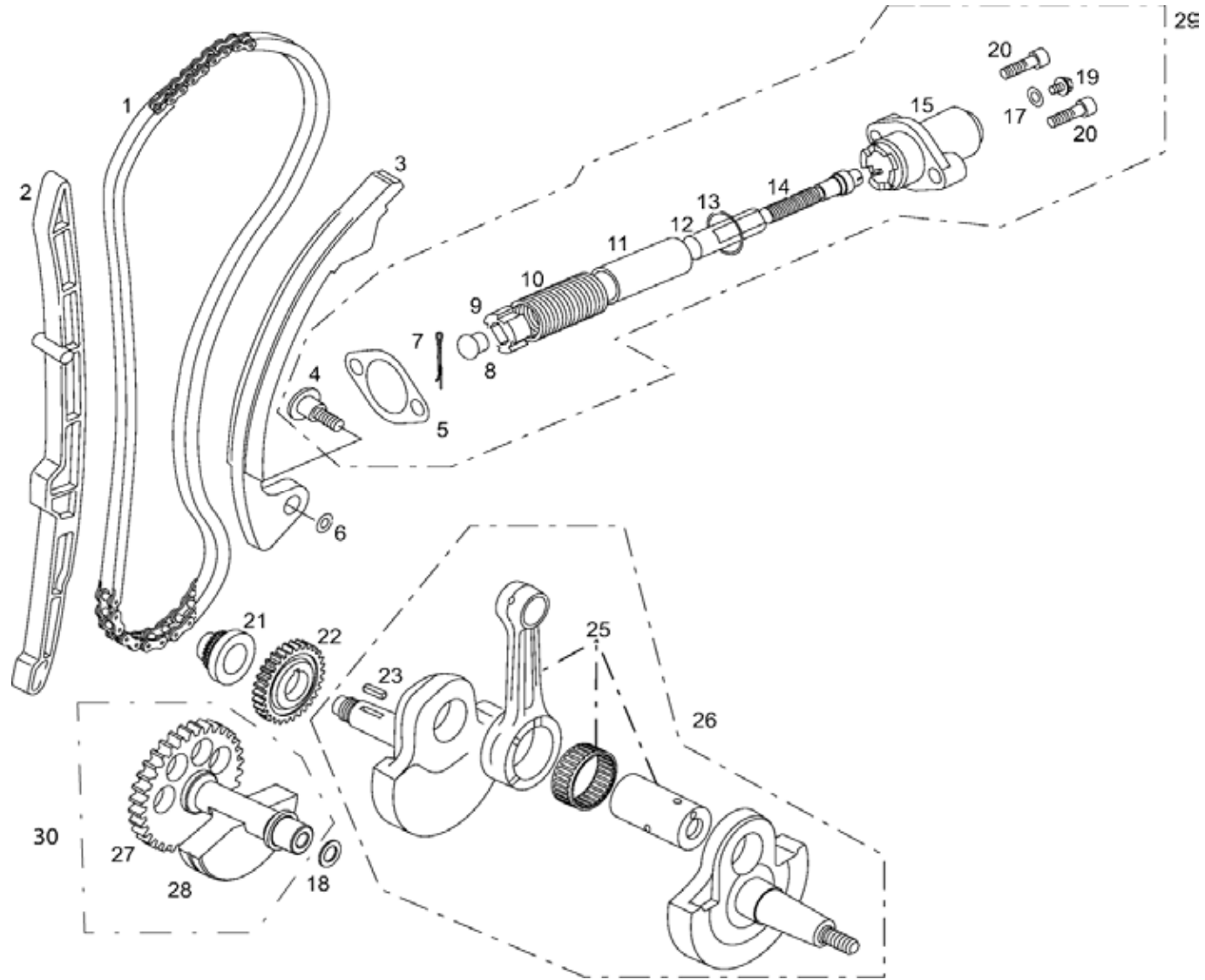
Nº	DESCRIPCION / DESCRIPTION	PAMPERA2007	NUEVAS	Cant.
37	ABRAZADERA D.12.9-13.6 AMARILLA / 12.9-13.6 YELLOW CLAMP	T0306012		2
38	TÓRICA 27.4x2,4 / 27.4X2,4 O´RING	BE250210047		1
39	TAPÓN ROSCA TAPA VOLANTE MAGNÉTICO / IGNITION COVER SCREW TOP	MFS400126563		1
40	RODAMIENTO AGUJAS HK1010 EC400-4T / HK 1010 EC400-4T NEEDLES BEARING	MFS400126022		1
41	ARANDELA 7X18X2,7 / 7X18X2,7 WASHER	ST950710		1
42	ALLEN 6X12 / 6X12 ALLEN SCREW	T0306012		1
43	ARANDELA COBRE 14X18X1,5 / 14X18X1,5 COOPER WASHER	MFS450510030		1
44	CONECTOR TUBO DESVAPORIZADOR CÁRTER / CRANKCASE STEAM HOSE CONNECTOR	MFS450510012		1
45	ALLEN 5X8 / 5X8 ALLEN SCREW	T0305008		2
46	SENSOR DE GIRO / TURN SENSOR	MFS450580005		1
47	TORNILLO CAMPANA ASPIRACIÓN / CHAIN ASPIRATION	MFS450622558		1
48	VISOR NIVEL ACEITE / OIL LEVEL VIEW FINDER	ME25610015		1
49	TAPÓN ACEITE / OIL CAP	BFS450610079		1
50	FILTRO / FILTER	MFS450622565CT		1
51	ARANDELA COBRE 26X20X1.5 / 26X20X1.5 WASHER	T4006100		1
52	JUNTA PARA DISCOS / DISCS GASTER	ME25644003		

Motor 6



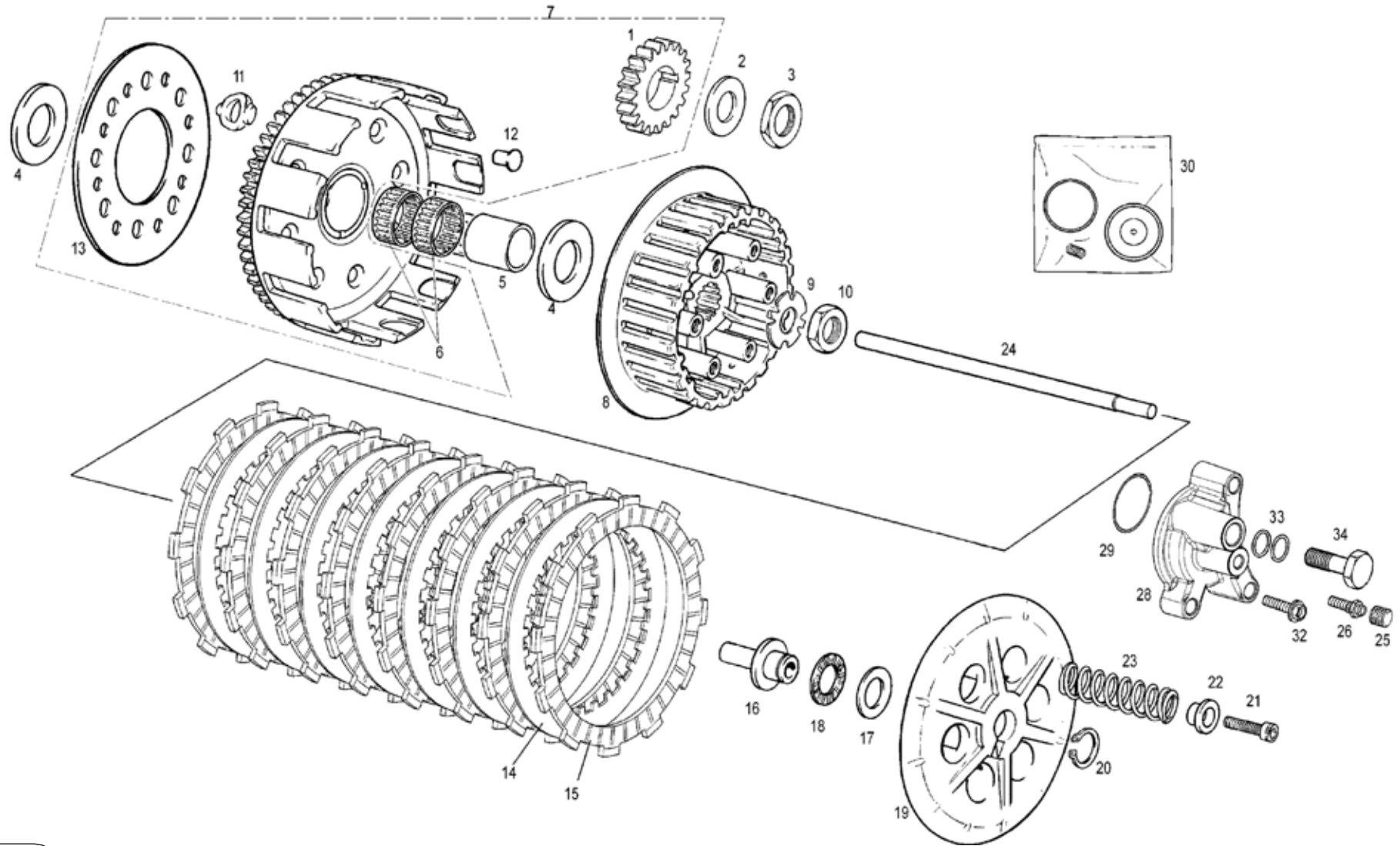
Nº	DESCRIPCION / DESCRIPTION	PAMPERA2007	NUEVAS	Cant.
1	ALLEN 5X75 / 5X75 ALLEN SCREW	T0305075		1
2	ALLEN 5X16 / 5X16 ALLEN SCREW	T0305016		2
3	SUB-TAPA ARRANQUE FSE 450-2005 / FSE 450-2005 START COVER	MFS450510028		1
4	PIÑÓN INTERM. ARRANQUE ELÉCT. 24X21 / 24X21 ELECT. STARTER INTERM. SPROCKET	MFS450626520		1
5	RODAMIENTO AGUJAS HK1012 / HK1012 NEEDLES BEARING	MFS400326023		2
6	EJE PIÑÓN ARRANQUE INTERMEDIO / INTERMEDIATE STARTER SPROCKET AXIS	MFS450626505		1
7	TAPA VOLANTE MAGNÉTICO / IGNITION COVER	MFS450510004	MFS450610004	1
8	JUNTA TAPA VOLANTE FSE450-2005 / FSE450-2005 IGNITION COVER GASKET	MFS450544004		1
9	PLETINA SOPORTE CABLES MOTOR ENCENDIDO FSE 2005 / FSE 2005 IGNITION CABLING HOLDER	MFS450534019		1
11	MOTOR DE ARRANQUE FSE 450-2005 / FSE 450-2005 START ENGINE	MFS450526500		1
12	TORNILLO 6X25 / 6X25 SCREW	T0206025		2
13	ALLEN 5X6 / 5X6 ALLEN SCREW	T0305006		1
14	CASQUILLO DISTANCIADOR ARRANQUE / STARTER SPACER BUSHING	R233000		2
16	ALLEN 6X16 / 6X16 ALLEN SCREW	T0306016		9
17	ALLEN 5X25 / 5X25 ALLEN SCREW	T0305025		2
18	TUERCA VOLANTE / IGNITION NUT	MFS400134011		1
19	CHAVETA VOLANTE / IGNITION PIN	MFS400134016		1
20	VOLANTE MAGNÉTICO / MAGNETIC FLYWHEEL	MPS450734005		1
21	ANILLO RUEDA LIBRE ENCENDIDO DUCATI / DUCATI IGNITION FREE WHEEL RING	MFS450626550		1
22	ARANDELA 10X19X0'5 / 10X19X0'5 WASHER	MFS450526516		2
23	RODAMIENTO DE AGUJAS ARRANQUE / STARTER NEEDLE BEARING	MFS400126020		1
24	CORONA DE ARRANQUE / STARTER SPROCKET	MFS450826540	MFS450626540	1
25	RODAMIENTO AGUJAS HK 1010 EC400-4T / HK 1010 EC400-4T NEEDLES BEARING	MFS400126022		2
26	CTO. PIÑÓN ARRANQUE EMBRAGUE / CLUTCH STARTER SPROCKET SET	MFS450512000		1
27	ESCOBILLAS MOTOR ARRANQUE / STARTER ENGINE BRUSHES	MFS400326501		1
28	ESTATOR DUCATI / DUCATI ESTATOR	MFS450434008		1
29	CONJUNTO EMBRAGUE ARRANQUE / STARTER CLUTCH SET	MFS450526550		1

Motor 7

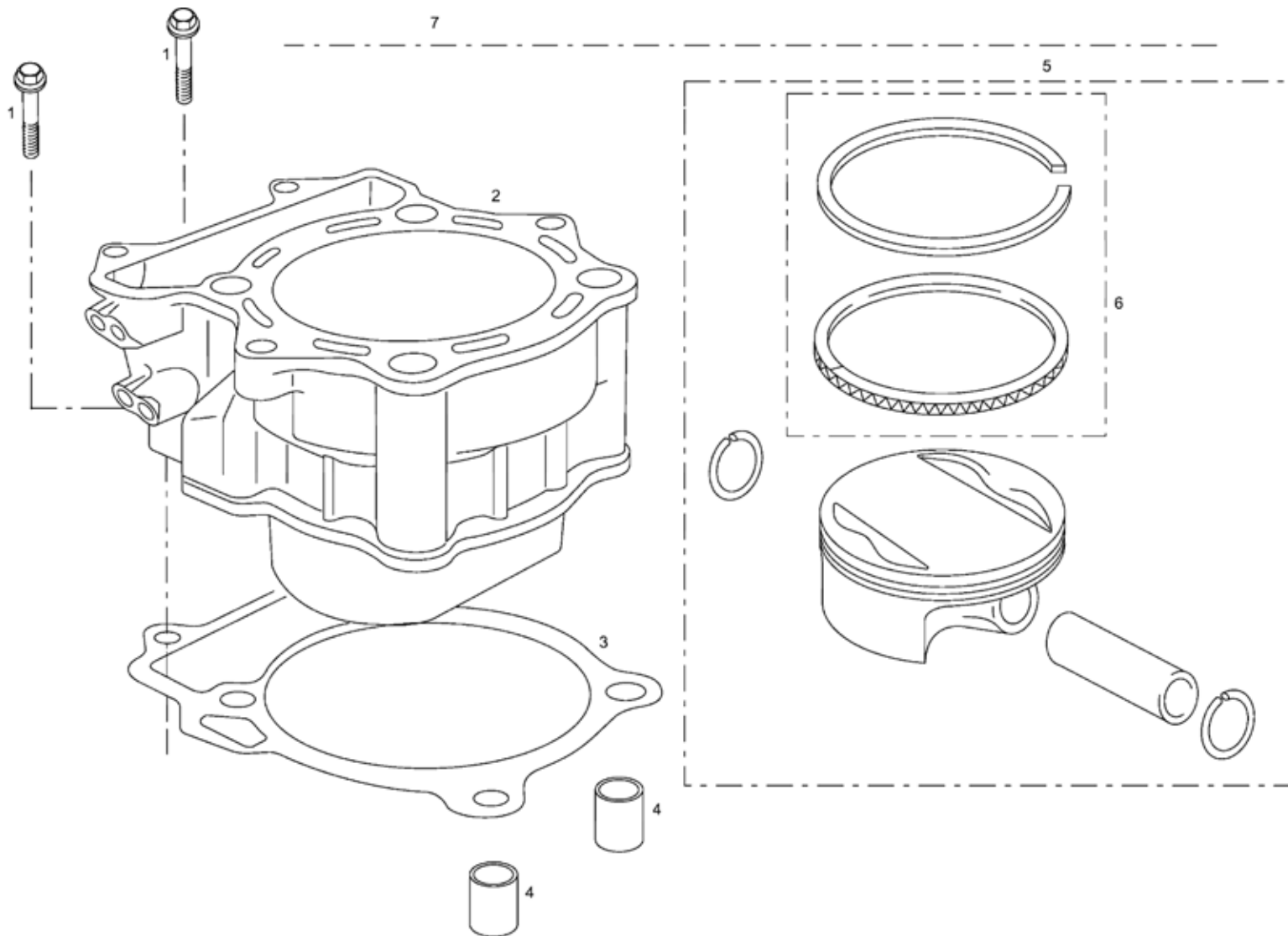


Nº	DESCRIPCION / DESCRIPTION	PAMPERA2007	NUEVAS	Cant.
1	CADENA DISTRIBUCIÓN / CAM SHAFT DRIVE CHAIN	MFS400116360		1
2	GUÍA CADENA DISTRIBUCIÓN DELANTERA / CAM CHAIN GUIDE	MFS450616364		1
3	GUÍA CADENA DISTRIBUCIÓN TRASERA / CAM CHAIN TENSIONER	MFS400116363		1
4	TORNILLO FIJACIÓN PATILLA GUÍA CADENA DISTRIBUCIÓN / CHAIN GUIDE SCREW	MFS400116365		1
5	JUNTA TENSOR DISTRIBUCIÓN FSE 4T / CHAIN TENSOR GASKET	MFS400144025		1
6	ARANDELA 6,25X21X1 / 6,25X21X1 WASHER	MFS450410107		1
7	PASADOR ELÁSTICO D2X12 FSE 4T / D2X12 FSE 4T ELASTIC PIN	MFS400116409		1
8	APRETADOR TENSOR CADENA DISTRIBUCIÓN / CHAIN TENSOR PUSHER	MFS400116403		1
9	CRUZ TENSOR CADENA DISTRIBUCIÓN / CHAIN TENSOR BUSHING	MFS400116402		1
10	MUELLE TORSIÓN TENSOR CADENA / CHAIN TENSOR SPRING	MFS400116410		1
11	TUBO TENSOR CADENA DISTRIBUCIÓN / CAM SHAFT CHAIN TENSOR HOSE	MFS400116404		1
12	TUERCA EMPUJADOR TENSOR CADENA / CHAIN TENSOR PUSHER WASHER	MFS400116405		1
13	ANILLO ELÁSTICO TENSOR CADENA / CHAIN TENSOR ELASTIC RING	MFS400116411		1
14	TORNILLO EMPUJADOR TENSOR CADENA / CHAIN TENSOR PUSHER SCREW	MFS400116406		1
15	TENSOR CADENA DISTRIBUCIÓN / CHAIN TENSOR	MFS400116400		1
17	ARANDELA KLINGERIT 6X15X0,5 / 6X15X0,5 WASHER	MFS400116407		1
18	ARANDELA 17,5X25,8X0,5 / 17,5X25,8X0,5 WASHER	M03625000		1
19	TORNILLO HEXAGONAL 6X8 / HEXAGONAL SCREW 6X8	T0106008		1
20	ALLEN 6X25 / 6X25 ALLEN SCREW	T0306025		2
21	PIÑÓN CADENA DISTRIBUCIÓN / CAM CHAIN DRIVE SPROCKET	MFS400116361		1
22	PIÑÓN CIGÜEÑAL EJE BALANCE / CRANKSHAFT PINION BALANCER	MFS450512001		1
23	CHAVETA LADO EMBRAGUE FSE 4T / FSE 4T CLUTCH SIDE KEY	MFS450612010		1
25	CONJUNTO BIELA / CONNECTING ROD	MFS400112100		1
26	CONJUNTO CIGÜEÑAL / CRANKSHAFT SET	MFS450512000		1
27	PIÑÓN EJE DE BALANCE / DRIVE GEAR	MFS450512001	MFS450512002	1
28	CONJUNTO EJE DE BALANCE / CRANK BALANCER SET	MFS450512003		1
29	CONJUNTO TENSOR CADENA / CHAIN TENSION ADJUSTER SET	MFS400116420		1
30	CONJUNTO EJE DE BALANCE / CRANK BALANCER SET	MFS450512003CT		1

Motor 8



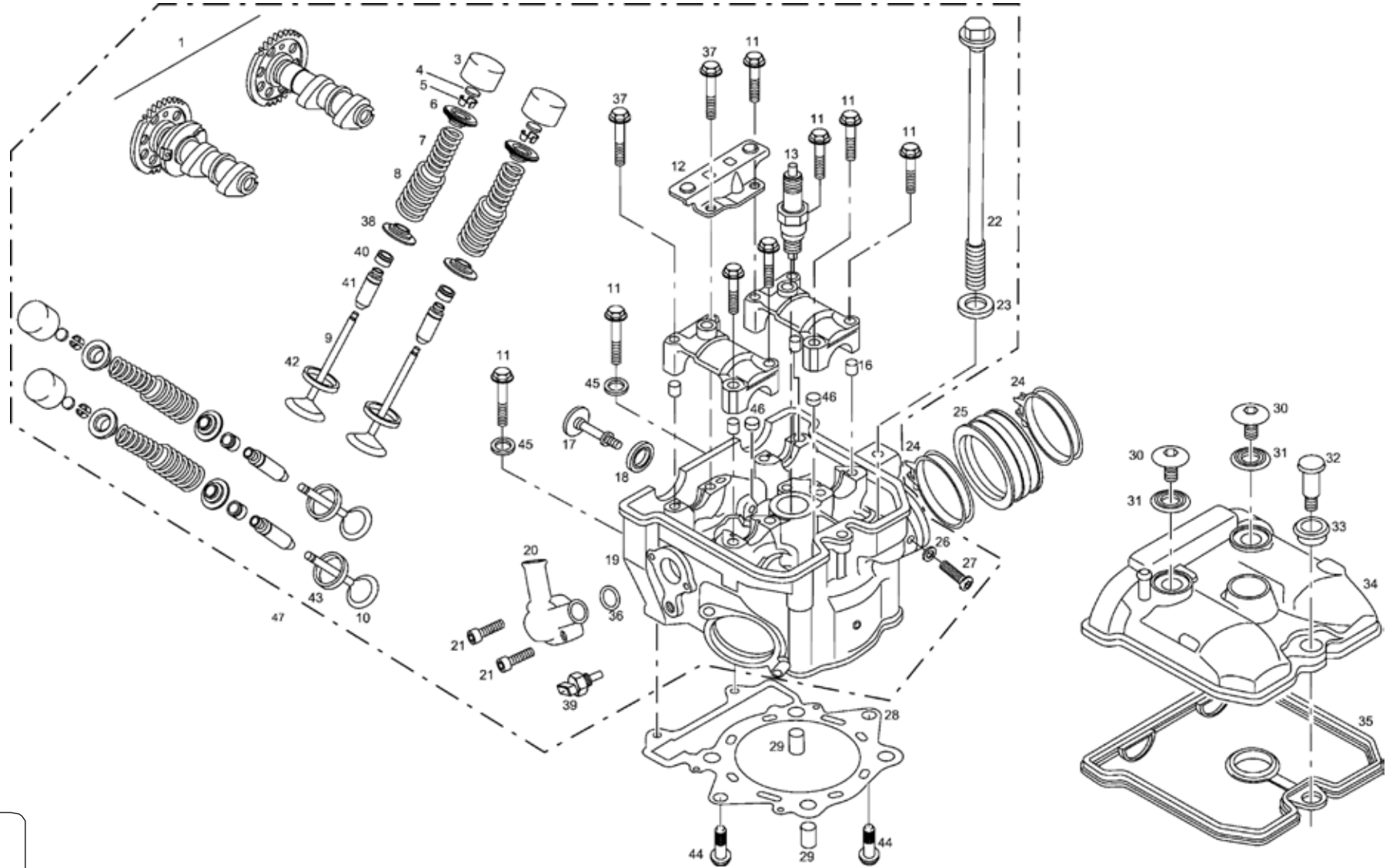
Nº	DESCRIPCION / DESCRIPTION	PAMPERA2007	NUEVAS	Cant.
1	PIÑÓN CIGÜEN. TRANS PRIM. / PRIMARY TRANSMISION CRANK SHAFT PINION	MFS400112004		1
2	ARANDELA BISELADA DE. 20/125 / WASHER 20/125	ME25632019		1
3	TUERCA BLOCAJE PIÑÓN CIGÜEÑAL / CRANK SHAFT PINION LOCKING NUT	ME25003298		1
4	ARANDELA CAMPANA EMBRAGUE 22,1X42X2,8 / WASHER 22.1X42X2.8	ME25632011		2
5	CASQUILLO CAMPANA EMBRAGUE / PRIMARY DRIVEN GEAR BUSHING	ME25632012		1
6	COJINETE CAMPANA EMBRAGUE / PRIMARY DRIVEN GEAR BEARING	ME25632029		2
7	CTO. CORONA CAMPANA EMBRAGUE / PRIMARY DRIVEN GEAR SET	MFS450832003		1
8	CUBO EMBRAGUE / CLUTCH BOSS	MFS450434005		1
9	ARANDELA PRECINTO EMBRAGUE / CLUTCH LOCK WASHER	MFS450532022		1
10	TUERCA FIJ. CUBO EMBRAGUE / CLUTCH BOSS NUT	ME25632028		1
11	GOMA SILENBLOCK / SILENBLOCK RUBBER	ME20932008		8
12	REMACHES CAMPANA EMBRAGUE / PRIMARY DRIVEN GEAR RIVETS	MFS400132010		8
13	ARANDELA CORONA EMBRAGE / CLUTCH BOSS WASHER	MFS400132009		1
14	DISCO EMBRAGUE HIERRO / IRON CLUTCH DISK	ME25632037		7
15	DISCO EMBRAGUE FORRADO / COVERED CLUTCH DISK	ME25632007		8
16	BOLET EMBRAGE / CLUTCH PIN	ME25632014		1
17	PLACA AGUJA Y VALV. ESCAPE / EXHAUST PIN WASHER	ME25632016		1
18	JAULA AGUJA VALV. ESCAPE / NEEDLES BEARING	ME25632046		1
19	PRENSA EMBRAGUE / PRESSURE PLATE	ME25632006		1
20	SEEGER EJE 15 EMBRAGUE / CLUTCH SEEGER AXLE 15	ME25632017		1
21	ALLEN 6X20 TA. EMBRAGUE,CART,SUSP. / ALLEN SCREW 6X20	T0306020		6
22	CASQ. MUELLE EMBRAGUE ALUMINIO / ALUMINIUM CLUTCH SPRING BUSHING	ME250032020		6
23	MUELLE EMBRAGUE VERDE / GREEN CLUTCH SPRING	MFS450332015		6
24	VARILLA EMBRAGUE / CLUTCH ROD	ME25632040		1
25	TAPÓN SANGRADOR / BLEEDER CAP	BE256622055		1
26	SANGRADOR / BLEEDER	BE25622060		1
27	ARANDELA LATIGUILLO / HOSE WASHER	BE25622007		2
28	PINZA EMBRAGUE HIDRA. / HYDRAULIC CLUTCH CALIPER	MFS450532026		1
29	TÓRICA BOMBA EMBRAGUE / CLUTCH PUMP O´RING	ME25632024		1
30	KIT PINZA EMBRAGUE / CLUTCH CALIPER KIT	BE250522050		1
32	TORNILLO ESPECIAL 6X20 / SPECIAL SCREW	T0206020		3
33	ARANDELA / WASHER			1
34	RACOR FRENO 10X26 / 10X26 BRAKE RACORD			2



Nº	DESCRIPCION / DESCRIPTION	PAMPERA2007	NUEVAS	Cant.
1	TORNILLO ESPECIAL 6X25 / 6X25 SPECIAL SCREW	T0606025		2
2	CILINDRO FSE 450-2005 / FSE 450-2005 CYLINDER	MFS45081602	MFS450516022	1
3	JUNTA CILINDRO FSE 500-2006 / FSE 500-2006 CLINDER GASKET	MFS500644000		1
4	CASQUILLO CENTRADOR CULATA / HEAD CYLINDER BUSHING	MFS400116066		2
5A	CONJUNTO PISTÓN A / A PISTON SET	MFS450516020		1
5B	CONJUNTO PISTÓN B / B PISTON SET	MFS450516121		1
6	CONJUNTO AROS PISTÓN / PISTON O'RING SET	MFS450516040		1
7	CONJUNTO CILINDRO Y PISTÓN / PISTON AND CYLINDER SET	MFS450516022CT		1

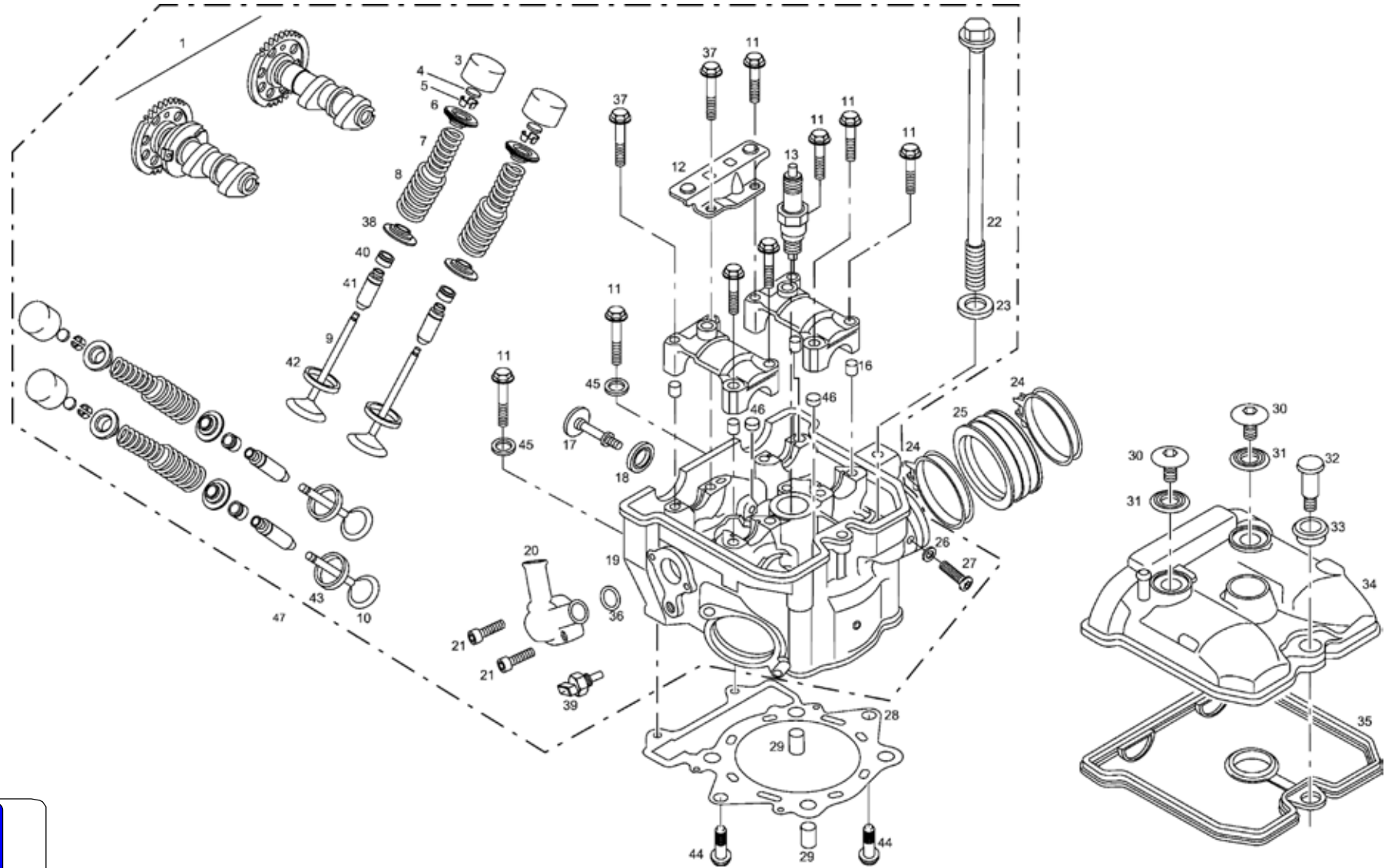
GAS GAS

Motor 10



Nº	DESCRIPCION / DESCRIPTION	PAMPERA2007	NUEVAS	Cant.
1	ÁRBOL DE LEVAS ADMISIÓN Y ESCAPE / INTAKE EXHAUST CAMSHAFT	MFS450616354CT		1
3	VASO EMPUJADOR VÁLVULA / TAPPET	MFS450816300		4
4	PASTILLA REGLAJE BASE VÁLVULA / TAPPET SHIM	MFS400116044		4
5	SEMICONO / VALVE COTTER	MFS400116048		8
6	PLATILLO SEMICONO / SPRING RETAINER	MFS400116047		4
7	MUELLE VÁLVULA INTERIOR / INTERIOR VALVE SPRING	MFS400116059		4
8	MUELLE VÁLVULA EXTERIOR / EXTERIOR VALVE SPRING	MFS400116058		4
9	VÁLVULA ADMISIÓN / INTAKE VALVE	MFS450616043		2
10	VÁLVULA ESCAPE / EXHAUST VALVE	MFS400116015		2
11	TORNILLO 6X40 / 6X40 SCREW	MFS400116351		8
12	GUÍA CADENA DISTRIBUCIÓN SUPERIOR / UPPER CAM SHAFT GUIDE	MFS400116362/2		1
13	BUJÍA NGK CR8 E / NGK CR8 E SPARK PLUG	MFS400134000		1
16	CASQUILLO CENTRADOR TAPA ÁRBOL LEVAS / CAMSHAFT COVER CENTERING PIN	MFS400116350		4
17	TORNILLO ESPECIAL CULATA M7 / M7 CYLINDER HEAD SPECIAL SCREW	MFS400116067		1
18	ARANDELA CULATA 11X25X4 / 11X25X4 CYLINDER HEAD WASHER	T4001126		1
19	CULATA / CYLINDER HEAD	MFS400116000		1
20	CTO. SALIDA TUBOS RADIADOR CULATA / CYL. HEAD OUT TUBE SET	MFS450616104		1
21	ALLEN NEGRO 5X30 / 5X30 BLACK ALLEN SCREW	T0305030N		2
22	TORNILLO M10X175 / M10X175 SCREW	T0201070		4
23	ARANDELA 10,5X19X2 / 10,5X19X2 WASHER	MFS450516099		4
24	ABRAZADERA 40-60 / 40-60 CLAMP	L200047		2
25	TUBERA ADMISIÓN / INTAKE	MFS250216131		1
26	ARANDELA 8X16X1,5 / 8X16X1,5 WASHER	T4008016		1
27	ULS 8X12 / 8X12 ULS SCREW	T0508012		1
28	JUNTA CULATA / CYLINDER HEAD GASKET	MFS450544020		1
29	CASQUILLO CENTRADOR CULATA / CYLINDER HEAD BUSHING	MFS400116066		2
30	TORNILLO ESPECIAL 7X15,3 / 7X15,3 SPECIAL SCREW	T0207017		2
31	ARANDELA TAPA CULATA 11X25X2 / 11X25X2 WASHER	T4001125		2
32	TORNILLO ESPECIAL 7X31 / 7X31 SPECIAL SCREW	T0207031		1
33	ARANDELA TAPA CULATA 12X23X5/7,5 / 12X23X5/7,5 CYLINDER HEAD WASHER	T4001223		1
34	TAPA CULATA / CYLINDER HEAD COVER	MPS450716100		1
35	JUNTA TAPA CULATA / CYLINDER HEAD GASKET	MFS400144015		1
36	TÓRICA 24X2 TUBERA SALIDA AGUA CULATA / WATER EXIT GASKET	MFS400116105		1
37	TORNILLO M6X45 TAPA ÁRBOL LEVAS LARGO / 6X45 SCREW	MFS400116352		2

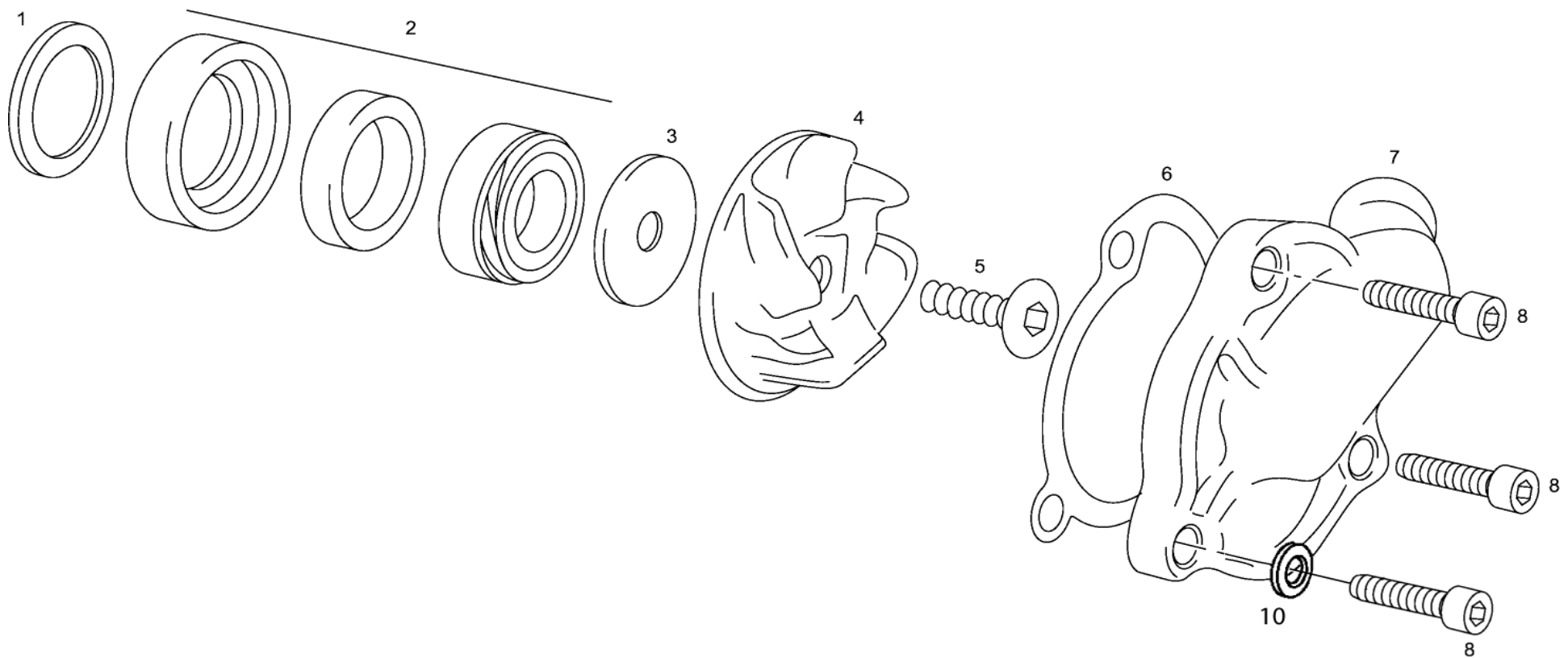
Motor 11



Nº	DESCRIPCION / DESCRIPTION	PAMPERA2007	NUEVAS	Cant.
38	ARANDELA MUELLE VÁLVULA / SPRING SEAT WASHER	MFS400116049		4
39	TERMOCONTACTO M12X1.5 / M12x1.5 THERMOSWITCH	BPS400632065		1
40	RETÉN VÁLVULA / VALVE SEAL	MFS400116039		4
41	GUÍA VÁLVULA / VALVE GUIDE	MFS400116046A		4
42	ASIENTO VÁLVULA ADMISIÓN / INTAKE VALVE BASE	MFS400116143		2
43	ASIENTO VÁLVULA ESCAPE / EXHAUST VALVE BASE	MFS400116144		2
44	TORNILLO ALLEN CULATA M8X30 / M8X30 ALLEN HEAD SCREW	T0308030		2
45	ARANDELA 6,5X12X1,5 / 6,5X12X1,5 WASHER	T400612		2
46	TAPÓN DE CULATA / HEAD TOP	MFS400116003		2
47	CONJUNTO CULATA / HEAD SET	MFS450816000CT		1
48	DESVAPORIZADOR CULATA FSE-2006 / CARTER BREATH TUBE CYLINDER HEAD	MFS450616101		1

GAS GAS

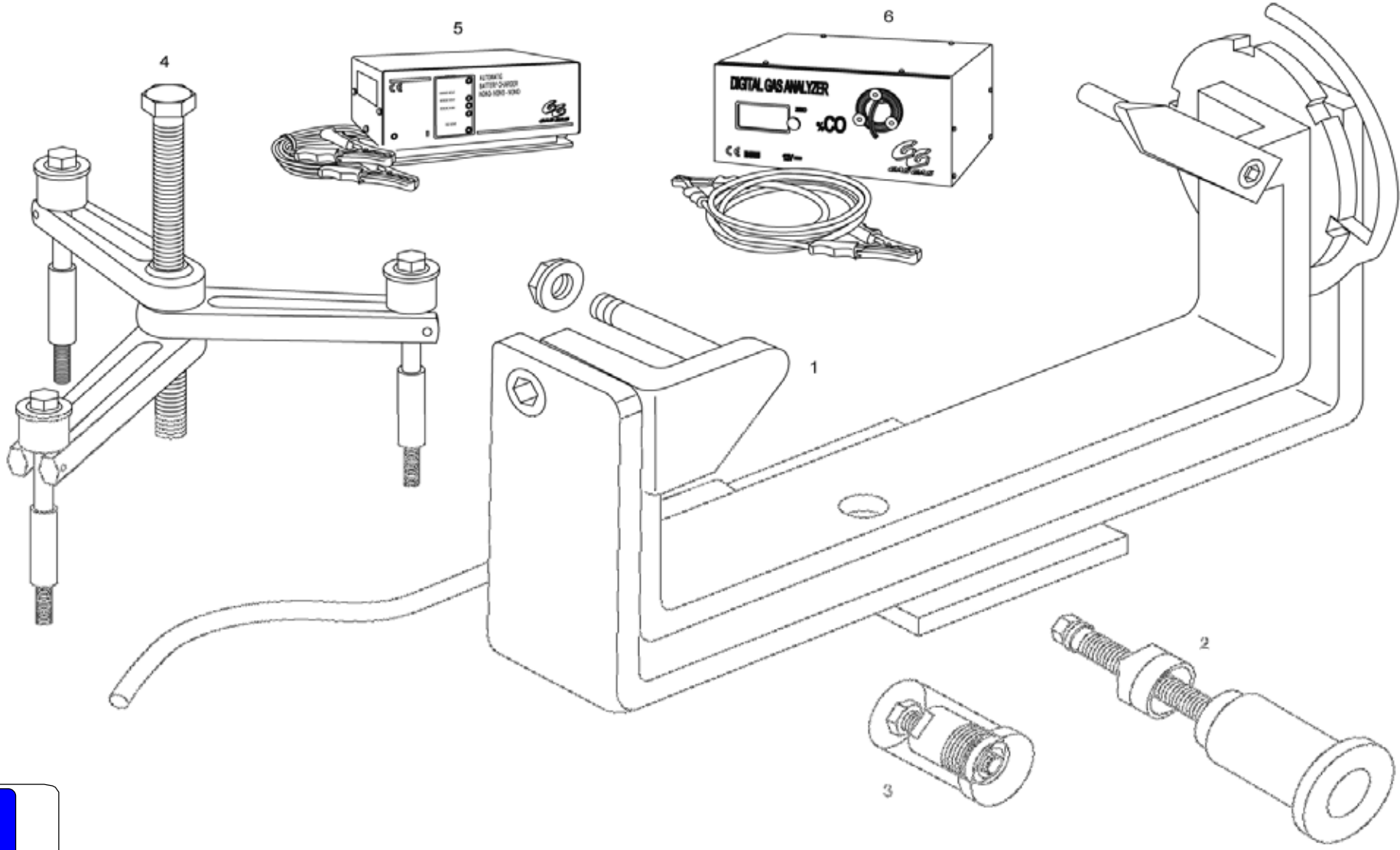
Motor 11



Nº	DESCRIPCION / DESCRIPTION	PAMPERA2007	NUEVAS	Cant.
1	ARANDELA 17,5X25,8X0,5 BOMBA AGUA / 17,5X25,8X0,5 WATER PUMP WASHER	M03625000		1
2	JUEGO RETENES / SEAL SET	ME25610011		1
3	ARANDELA INOX. TURBINA BOMBA 6.25X21X1 / 6.25X21X1 WATER PUMP WASHER	MFS450410107		1
4	TURBINA BOMBA AGUA ALUMINIO /ALUMINIUM WATER PUMP IMPELLER	MFS450610007		1
5	ALLEN 6X16 / 6X16 ALLEN SCREW	T0506016		1
6	JUNTA TAPA BOMBA AGUA / WATER PUMP COVER GASKET	MFS450544008		1
7	TAPA BOMBA AGUA / WATER PUMP COVER	MFS450710008		1
8	TORN. ESPECIAL 6X20 / 6X20 SPECIAL SCREW	T0206020		2
10	ARANDELA DE COBRE 6X10X1,5 / 6X10X1,5 WASHER	T4006008		1

GAS GAS

Motor 12



Nº	DESCRIPCION / DESCRIPTION	PAMPERA2007	NUEVAS	Cant.
1	BANCADA MONTAJE MOTOR / ENGINE ASSEMBLY HOLDER	BT27950050		1
2	EXTRACTOR COJINETE CIGÜEÑAL / BEARING EXTRACTOR	ME25950000		1
3	EXTRACTOR VOLANTE / FLYWHEEL EXTRACTOR	MFS400134045		1
4	EXTRACTOR CARTER / CRANKCASE EXTRACTOR	ME25950005		1
5	CARGADOR DE BATERIA GAS02 / BATTERY CHARGER	MFS450380118		1
6	ANALIZADOR DE GASES C0 GAS01 / C0 GAS01 SCANNER	MFS450380117		1

GAS GAS

Motor 13

**DESPIECE
PART LIST**

**PAMPERA
2007**

GAS GAS

RECOMIENDA EL USO DE ACEITE:



Los componentes aquí expuestos y referenciados se basan en los datos existentes en la fecha de impresión de este manual. GAS GAS Motos, S.A. se reserva el derecho de efectuar cambios y/o modificaciones sin previo aviso.