

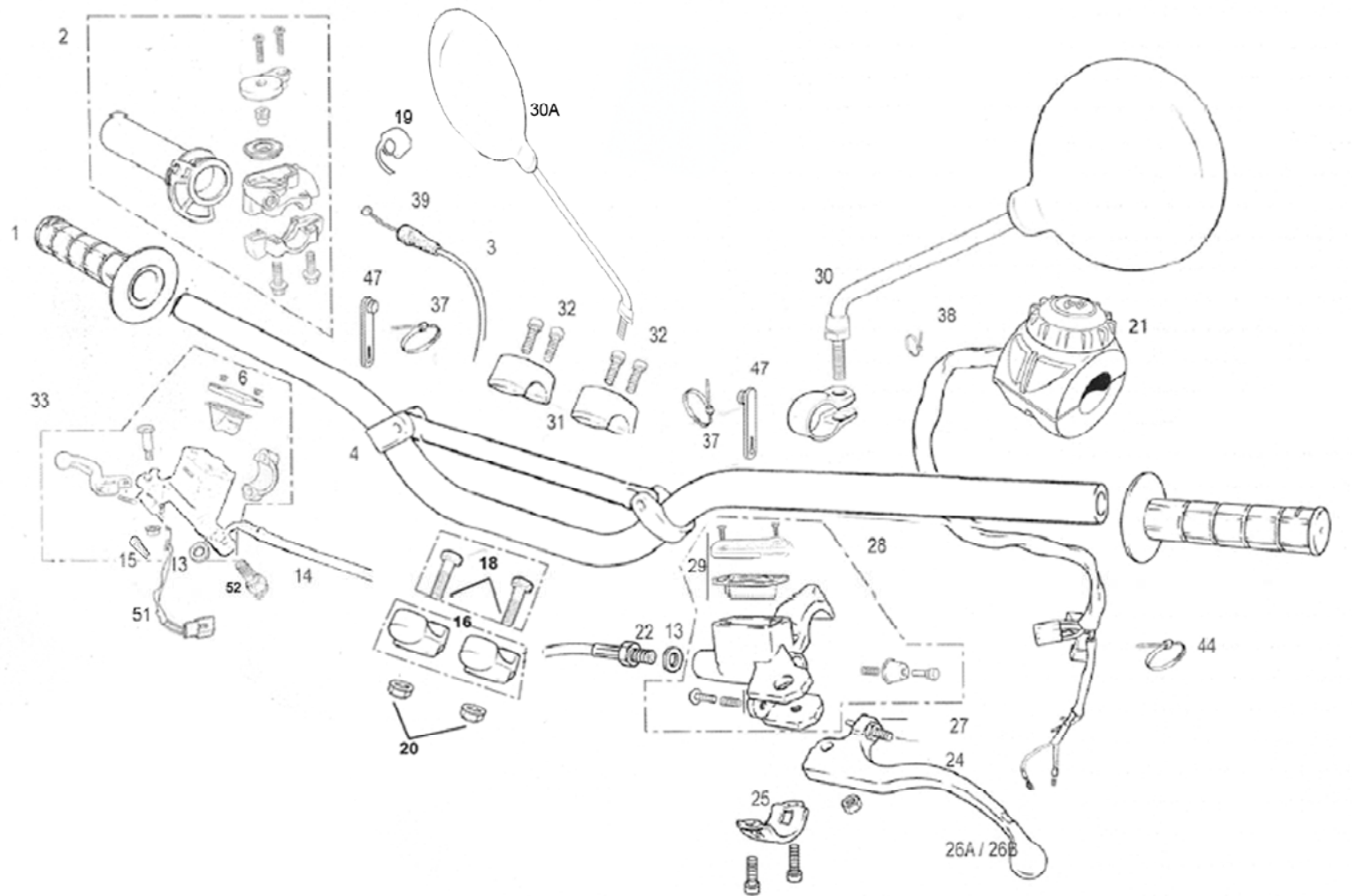
DESPIECE // PART LIST
HALLEY 4T EH-SM
450



2009

DESPIECE // PART LIST
HALLEY 4T EH-SM
450

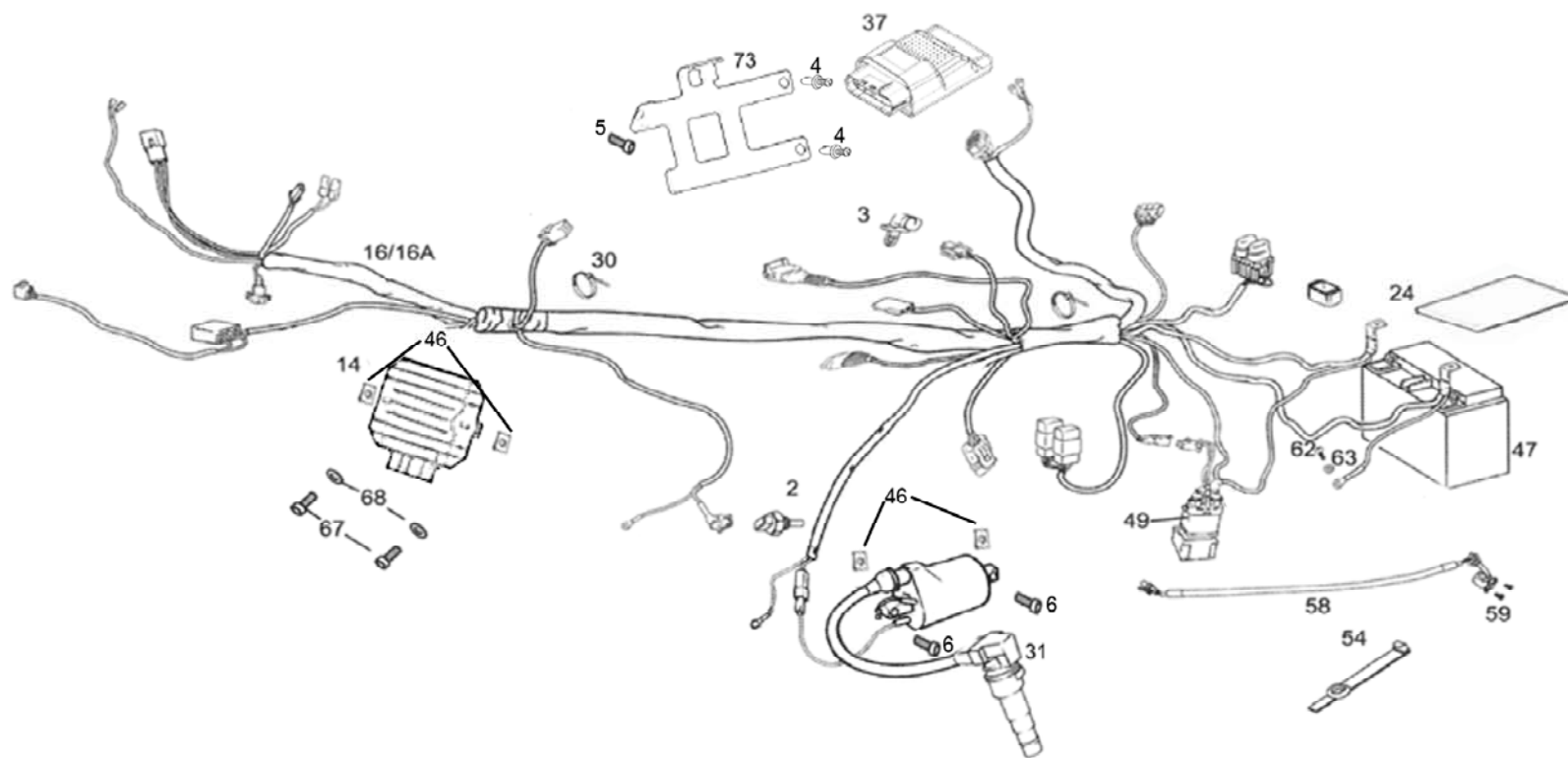
2009



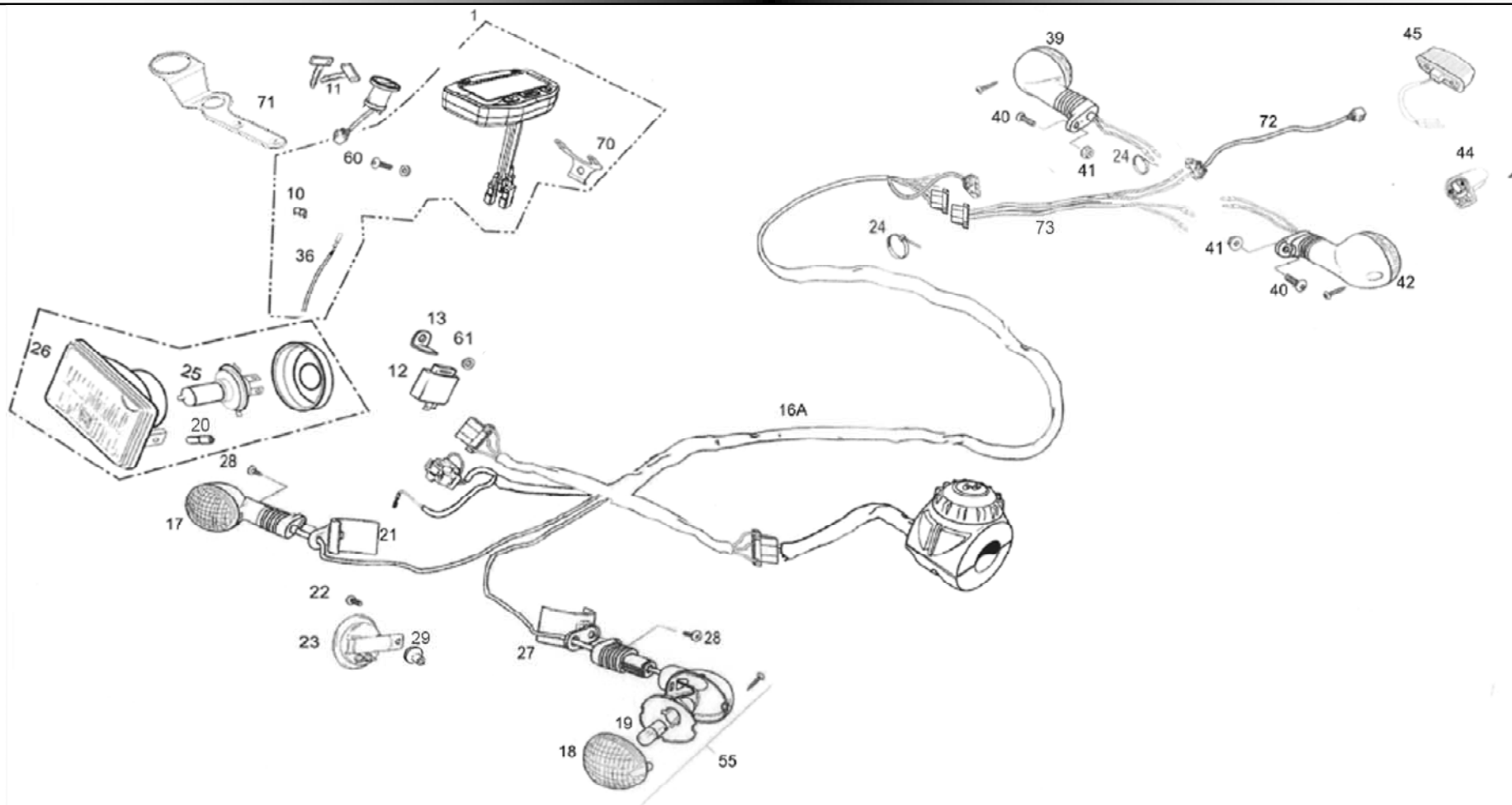
Nº	DESCRIPCION / DESCRIPTION		Cant.
1	JUEGO DE EMPUÑADURAS / C798HANDLEBAR GRIP (PAIR)	BE250736002	1
2	PUÑO DE GAS / TWIST GRIP	BE25724007	1
3	CABLE DE GAS / THROTTLE CABLE	BFS450524008	1
4	MANILLAR COMPLETO / STEERING HANDLEBAR SET	BE250224001	1
6	TORNILLO TAPA BOMBA / BRAKE PUMP SCREW	BC25922217	2
13	ARANDELA LATIGUILLO 10X14X1 / HOSE WASHER 10X14X1	BE25622007	2
14	LATIGUILLO FRENO DELANTERO / FRONT BRAKE HOSE	BEH611001209	1
15	INTERRUPTOR STOP BOMBA / PUMP STOP SWITCH	L300066	1
16	BRIDA SUJECCIÓN MANILLAR INF. / HANDLEBAR CLAMP (LOWER)	BE25814013	2
18	TORN. ESP. 10X45 / SPECIAL SCREW 10X45	T0201045	2
19	CONMUTADOR ARRANQUE / STARTING COMMAND	BFS450434027	1
20	TUERCA AUTOBL. BAJA M10 CON ARAND. / M10 SELF-LOCKING NUT	M01613001	2
21	CONMUTADOR LUZ / LIGHT SWITCH	EFS602004509	1
22	LATIGUILLO EMBRAGUE / CLUTCH HOSE	BE250522003	1
24	TORNILLO REGULACIÓN MANETA / ADJUSTING LEVER SCREW	BT27922046	1
25	SOPORTE BOMBA EMBRAGUE / CLUTCH PUMP CLAMP	BE250022211	1
26A	MANETA EMBRAGUE CORTA / SHORT CLUTCH LEVER	BT27922040	1
26B	MANETA EMBRAGUE LARGA (SERIE) / LONG CLUTCH LEVER (STANDARD)	BE250622040	1
27	TUERCA M6 BAJA / M6 LOW NUT	T2006001	1
28	BOMBA EMBRAGUE HIDRÁULICO / HYDRAULIC CLUTCH PUMP	BE250522009	1
30	ESPEJO RETROVISOR / REAR-VIEW MIRROR	L300760	1
30A	ESPEJO RETROVISOR / REAR-VIEW MIRROR	BP120710095	1
31	BRIDA SUJECCIÓN MANILLAR SUPERIOR / HANDLEBAR CLAMP (UPPER)	BE25814012	2
32	TORNILLO SUJECCIÓN BRIDA MANILLAR 8X30 / CLAMP SCREW 8X30	T0308030	4
33	BOMBA FRENO DELANTERO / FRONT BRAKE PUMP SET	BEH610001209	1
37	BRIDA GRANDE / BIG CLAMP	BE25634009	2
38	BRIDA PEQUEÑA / LITTLE CLAMP	BE25634010	1
39	GUARDAPOLVO CABLE GAS / DUST COVER THROTTLE CABLE	G600000	1
44	BRIDA UNEX CORTA 2221-0 2.5X98 / SHORT UNEX CLAMP 2221-0 2.5X98	BE25634010	1
47	GOMA SUJECCIÓN CABLEADO / CABLED RUBBER HOLDER	BFS450320067	2
49	BRIDAS SERRETAS / CLAMP	BE25634007	2
51	ALARGO INTERRUPTOR STOP / STOP SWITCH EXTENSION	EH206004509	1
52	TORN. LATERAL BOMBA FRENO DEL. / LATERAL SREW PUMP FRONT BRAKE	R320000	1

GAS GAS

Chasis 1



Nº	DESCRIPCION / DESCRIPTION		Cant.
2	SENSOR AGUA / WATER SENSOR	MFS400180004	1
3	SENSOR AIRE / AIR SENSOR	MFS400180003	1
4	CLIP FIJACION TAPA /COVER CLIPS	MFS450580013	2
5	TORNILLO 6,3 X 16 / 6,3 X 16 SCREW	T0706316	1
6	TORNILLO ESPECIAL 6X20 / SPECIAL SCREW 6X20	T0206020	2
14	REGULADOR / REGULATOR	EFS502004508	1
16	INSTALACIÓN ELÉCTRICA FSE / ELECTRICAL INSTALLATION	EFS100004508	1
30	BRIDA UNEX 4.8X36 / UNEX CLAMP 4.8X36	BE25634007	2
31	BOBINA ELDOR / ELDOR COIL	EFS500004508	1
37	CENTRALITA / SWITCHBOARD	EFS501004508	1
46	TUERCA RÁPIDA M6 / M6 FAST NUT	T2606000	4
47	BATERÍA EC400-4T / EC400 4T BATTERY	BFS400134080/3	1
49	RELÉ ARRANQUE / STARTING RELAY	BFS400134075/2	1
50	SOPORTE RELÉ ARRANQUE / STARTING RELAY SUPPORT	BFS400334076	1
51	ULS 6X16	T0506016	1
54	GOMA SUJECCIÓN CDI / CDI ELASTIC BAND	BE250034100	1
58	SENSOR GIRO / TURN SENSOR	MFS450680005	1
59	ALLEN 5x9 / 5x9 ALLEN SCREW	T0505009	2
67	ALLEN 6X16 / 6X16 ALLEN SCREW	T0306016	2
68	ARANDELA PLANA 6X12X1,5 / PLAIN WASHER 6X12X1.5	T4006012	2
73	SOPORTE ECU /ECU SUPORT	EE551002508	1
24	ESPUMA FIJACION CAJA BATERIA / BATTERY FOAM	EH450104509	1



Nº	DESCRIPCION / DESCRIPTION		Cant.
1	CTO. MULTIFUNCIÓN ENDURO 2003 FSE / 2003 ENDURO MULTIFUNCTION	EE600002508	1
10	PASACABLES CTA. KM. ENDURO 2003 / CABLE PASS SPEED COUNTER	BE250334053	2
11	CERRADURA CONTACTO CIERRE / CONTACT LOCK WITH CATCH	BFS450334032	1
12	CAJA INTERMITENCIAS / INTERMITENT BOX	BFS450434055	1
13	SOPORTE CAJA INTERMITENCIAS / INTERMITENT BOX SUPPORT	BFS450334057	1
16A	INSTALACIÓN LUZ / LGHT INSTALLATION	EFS205004508	1
17	INTERMITENTE DERECHO DELANTERO / RIGHT FRONT INDICATOR	BE250634018	1
18	TAPA INTERMITENTE / INDICATOR COVER	BE250134120	4
19	BOMBILLA / LAMP	L200118	4
20	LAMPARA POSICION / POSITION BULB	L300126	1
21	SOP. INTERMITENTE DELANTERO DERECHO /RIGHT FRONT INDICATOR HOLDER	BE250134017	1
22	TORNILLO ESPECIAL 6X30/ SPECIAL SCREW 6X30	T0206030	1
23	CLAXON / HORN	EFS204004508	1
25	BOMBILLA HALOGENA 35/35 12V / 12V 35/35 BULB	L300125	1
26	ÓPTICA HALÓGENA / OPTIC HALOGEN	EE200002508	1
27	SOP. INTERMITENTE DELANTERO IZQUIERDO / LEFT FRONT INDICATOR HOLDER	BE250134020	1
28	TORNILLO CHAPA 6,3X16 / SPECIAL SCREW	T0706316	2
29	CASQUILLO SILENBLOCK / SILENBLOCK BUSH	BE250026000	1
36	CABLE MULTIFUNCIÓN TT 2003 / MULTIFUNCTION CABLE	BE250634050	1
39	INTERMITENTE DERECHO TRASERO / RIGHT REAR INDICATOR	BE250634021	1
40	ULS 6X16 NEGRO / 6X16 BLACK ULS	T0506016N	2
41	TUERCA M6 ESTRIADA / STRIPED NUT M6	T2206000	2
42	INTERMITENTE IZQUIERDO TRASERO / LEFT REAR INDICATOR	BE250634022	1
44	LUZ MATRICULA /	BE250734124	1
45	PILOTO TRASERO / REAR LIGHT	BE250734015	1
55	INTERMITENTE IZQUIERDO DELANTERO / LEFT FRONT INDICATOR	BE250634019	1
60	ULS 6X16 / 6X16 ULS SCREW	T0506016	1
61	ARANDELA 6X18X1,5 / 6X18X1,5 WASHER	T4006018	2
70	SOPORTE MULTIFUNCIÓN / MULTIFUNCTION SUPPORT	BFS450634045	1
71	PLATINA SOPORTE CONMUTADOR / SWITCH SUPPORT	BE050634072	1
72	ALARGO INSTALACIÓN PORTA MATRÍCULA / PLATE SUPPORT EXTEND INSTALLATION	BE250734016	1
73	CABLE ADAPTADOR INTERMITENTES / INTERMITTENT CABLE ADAPTER	BFS450734121	1

GAS GAS

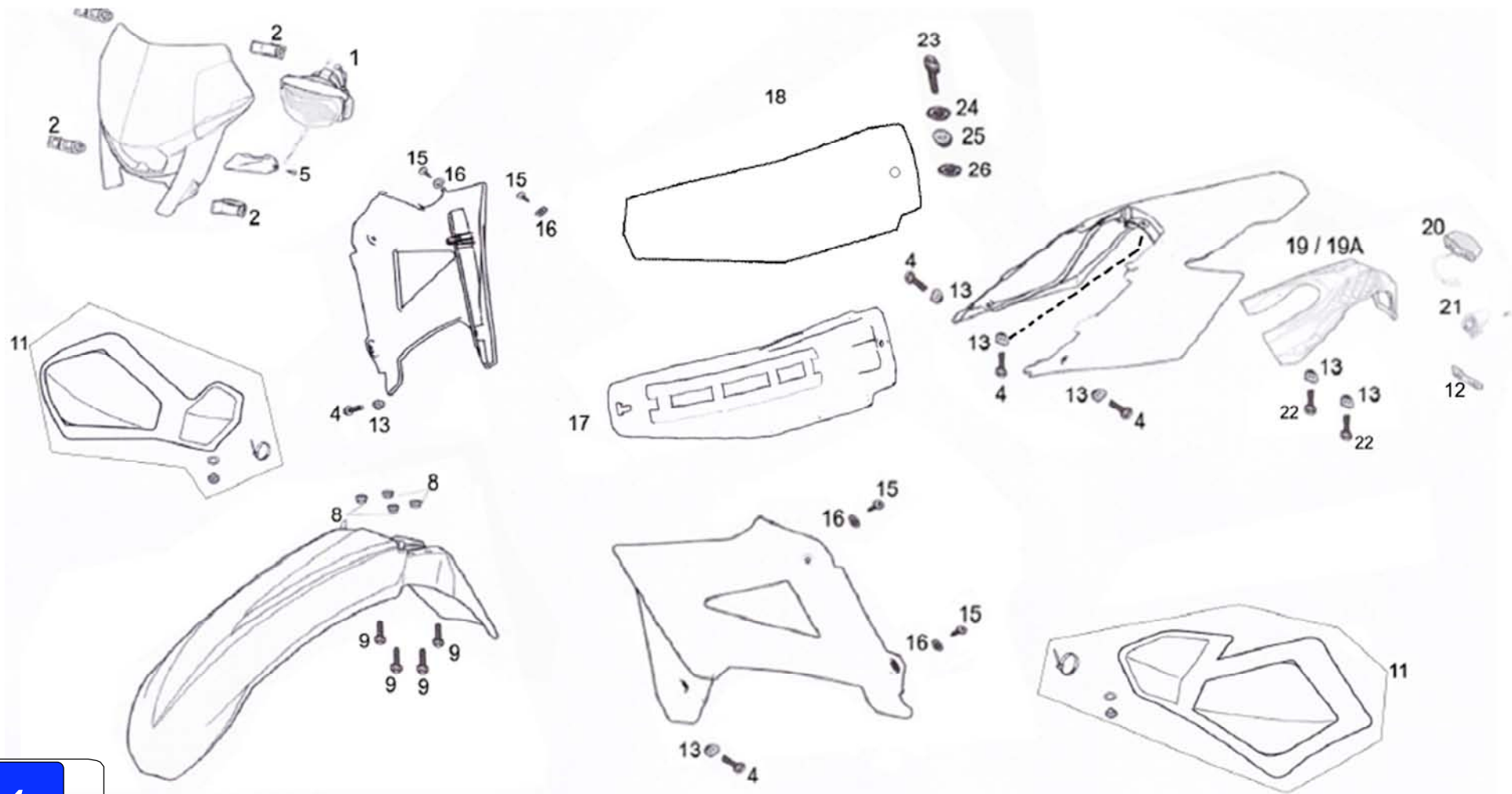
Chasis 2A



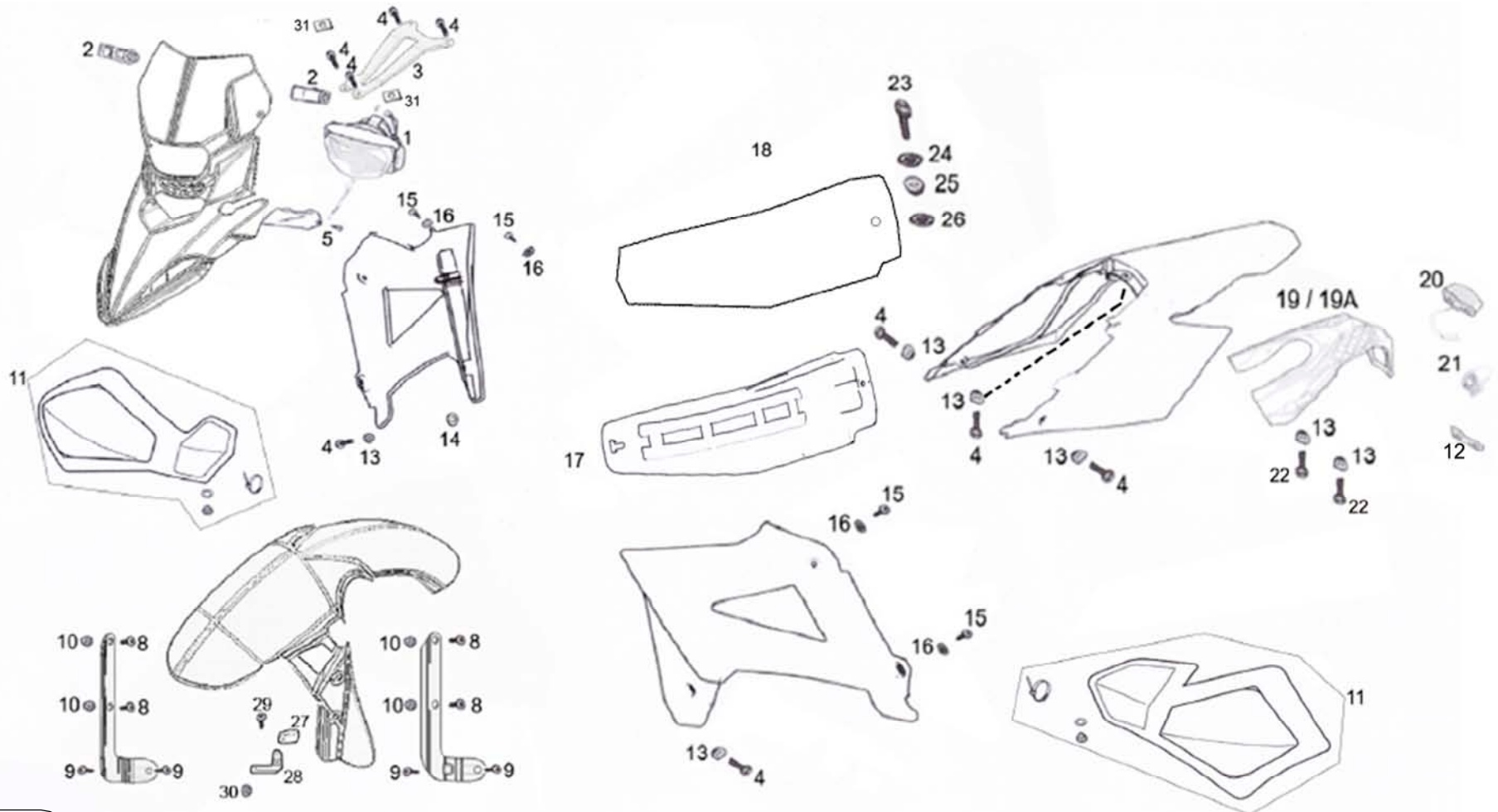
Nº	DESCRIPCION / DESCRIPTION		Cant.
1	CTO. FARO DELANTERO / FRONT HEADLAMP SET	BEH90500CT4509	1
2	GUARDABARROS DELANTERO EC2008 / EC2008 FRONT FENDER	BEH910001209	1
3	TAPA LATERAL RADIADOR DERECHO / RIGHT SIDE RADIATOR COVER	BEH91500CT4509	1
4	TAPA LATERAL RADIADOR IZQUIERDO / LEFT SIDE RADIATOR COVER	BEH92000CT4509	1
5	TAPA CAJA FILTRO DRCHA.	BE92600/22509	1
6	TAPA CAJA FILTRO IZQ.	BE93100/22509	1
7	GUARDABARROS TRASERO / REAR FENDER	BEH93500CT4509	1
10	GUIA LATIGUILLO / GUIDE COVER	BE905502508	1
Nº	ADH.		
8	KIT ADHESIVO BASCULANTE / SET TILTING ADHESIVE	BEH95500CT4509	1
9	KIT PROTECTOR BARRA / SET PROTECTIVE BAR	BC250514040/2	1
--	KIT ADHESIVO COMPLETO / SET ADHESIVE	BEH950001209	1



Nº	DESCRIPCION / DESCRIPTION		Cant.
1	CTO. FARO DELANTERO / FRONT HEADLAMP SET	BEH90500SMCT1209	1
2	GUARDABARROS DELANTERO EC2008 / EC2008 FRONT FENDER	BEH91000SM1209	1
3	TAPA LATERAL RADIADOR DERECHO / RIGHT SIDE RADIATOR COVER	BEH91500SMCT1209	1
4	TAPA LATERAL RADIADOR IZQUIERDO / LEFT SIDE RADIATOR COVER	BEH92000SMCT1209	1
5	TAPA CAJA FILTRO DRCHA.	BEH92600SMCT1209	1
6	TAPA CAJA FILTRO IZQ.	BEH93100SMCT1209	1
7	GUARDABARROS TRASERO / REAR FENDER	BEH93500SMCT1209	1
10	GUIA LATIGUILLO / GUIDE COVER	BEH90550SM1209	1
9	SOPORTE GUARDABARROS DEL. INF. DRCH. /	BEH91010SM1209	1
9A	SOPORTE GUARDABARROS DEL. INF. IZQ. /	BEH91015SM1209	1
Nº	ADH.		
8	KIT ADHESIVO BASCULANTE / SET TILTING ADHESIVE	BEH95500SMCT4509	1
--	KIT ADHESIVO COMPLETO / SET ADHESIVE	BEH95000SM1209	1



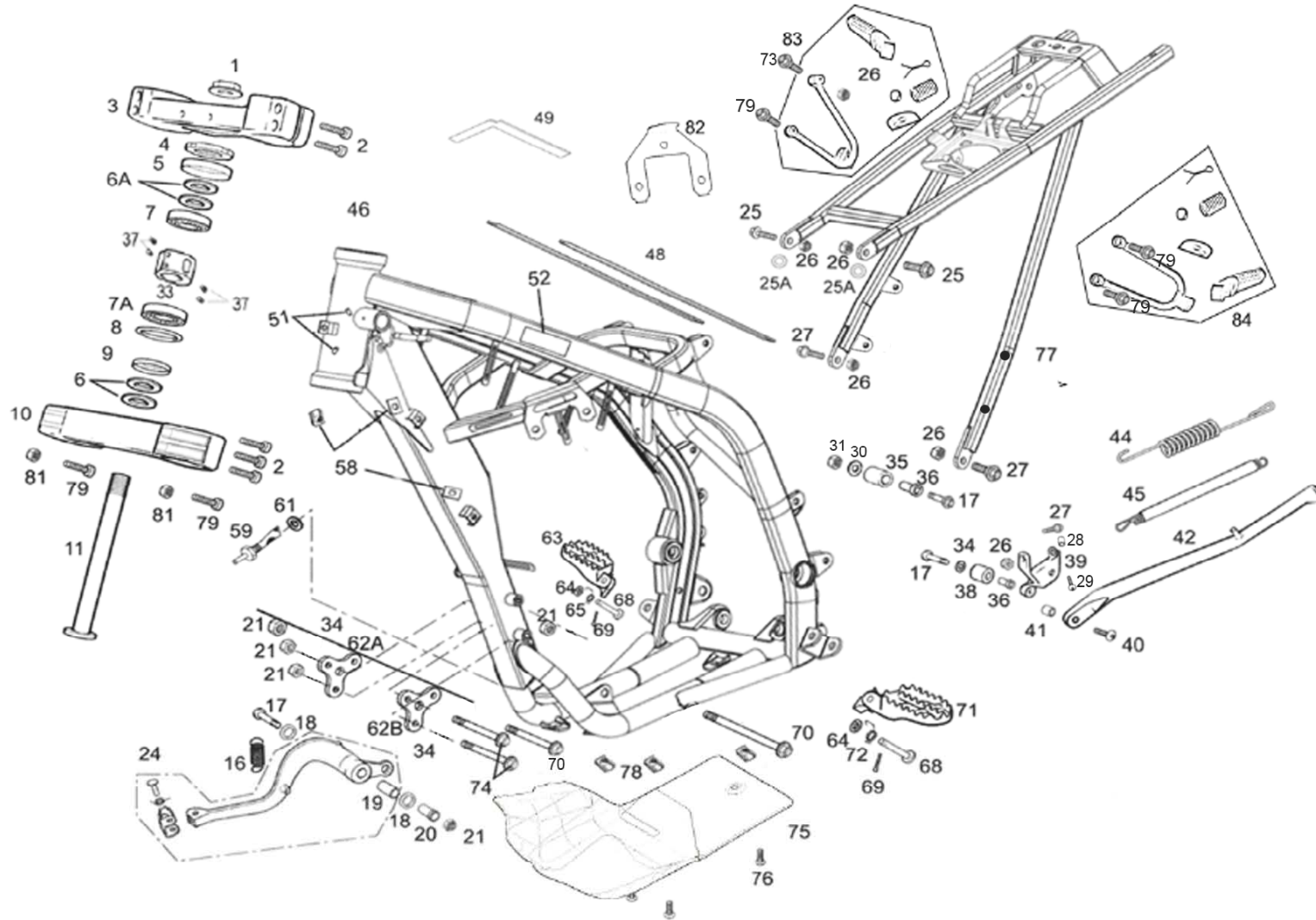
Nº	DESCRIPCION / DESCRIPTION		Cant.
1	OPTICA / OPTIC	EE200002508	1
2	GOMA FARO / RUBBER LIGHTHOUSE	BE25636015	4
4	TORNILLO ESPECIAL 6X14 / SPECIAL SCREW 6X14	T0206014	2
5	TORN. PLASTICO / PLASTIC SECREW	BE250420063/2	1
8	CASQUILLO GUARDABARROS VALONA / FRONT FENDER BUSHING	BE2500141018	4
9	TORN. ESPECIAL 6X20 ARAND. / 6X20 SCREW WASHER	T0606020	4
11	CTO. PARAMANOS / JOINT PROTECTOR HANDS	BE94500SM2508	1
12	CATADRIOPTICO	BQ300234125/2	1
13	CASQUILLO TAPA RADIADOR / RADIATOR CAP LID	BE250032060	7
14	ARANDELA NYLON / NYLON WASHER	T06065017	2
15	TORNILLO PLASSTICO 4,6X12 / 4,6X12 PLASTIC SCREW	T0804612/2	4
16	ARANDELA ALUMINIO / ALUMINIUM WASHER	BE250511002	4
17	SILLIN / SEAT	BE940002508	1
18	FUNDA SILLIN / SEAT COVER	BE940012508	1
19	CTO. PORTAMATRICULAS / REAR LICENSE PLATE HOLDER SET	BE250720003CT	1
19A	PORTAMATRICULAS / REAR LICENSE PLATE HOLDER	BE250720003	1
20	LUZ DE FRENO / BRAKE LIGHT	BE250734015	1
21	LUZ MATRICULA / LIGHT OF PLATE	BE250734124	1
22	TORN. ESPECIAL 6X20 / 6X20 SCREW	T0206020	2
23	TORN. PHILIPS 6X25 / PHILIPS SCREW 6X25	T0706025	1
24	CASQUILLO / CAP	BE25610007	1
25	ARANDELA / WASHER	BE940502509	1
26	ARANDELA NEGRA / BLACK WASHER	BE250710213	1



Nº	DESCRIPCION / DESCRIPTION		Cant.
1	OPTICA / OPTIC	EE200002508	1
2	GOMA FARO / RUBBER LIGHTHOUSE	BE25636015	2
3	SOPORTE FARO SM / SM SUPPORT LIGHTHOUSE	BFS90510SM4509	1
4	TORNILLO ESPECIAL 6X14 / SPECIAL SCREW 6X14	T0206014	2
5	TORN. PLASTICO / PLASTIC SECREW	BE250420063/2	1
8	ULS ARAND. INC. 6X16 NEGRO / ULS WASHER INCORPORATED 6X16 BLACK	T0556016N	4
9	ULS ARAND. INC. 6X12 NEGRO / ULS WASHER INCORPORATED 6X12 BLACK	T0556012N	4
10	TUERCA M6 ESTRIADA / 6 METRIC NUT WASHER	T2206000	4
11	CTO. PARAMANOS SM / JOINT PROTECTOR HANDS	BEH94500SM1209	1
12	CATADRIOPTICO	BQ300234125/2	1
13	CASQUILLO TAPA RADIADOR / RADIATOR CAP LID	BE250032060	7
14	ARANDELA NYLON / NYLON WASHER	T06065017	2
15	TORNILLO PLASSTICO 4.6X12 / 4.6X12 PLASTIC SCREW	T0804612/2	4
16	ARANDELA ALUMINIO / ALUMINIUM WASHER	BE250511002	4
17	SILLIN / SEAT	BE940002508	1
18	FUNDA SILLIN / SEAT COVER	BE940012508	1
19	CTO. PORTAMATRICULAS / REAR LICENSE PLATE HOLDER SET	BE250720003CT	1
19A	PORTAMATRICULAS / REAR LICENSE PLATE HOLDER	BE250720003	1
20	LUZ DE FRENO / BRAKE LIGHT	BE250734015	1
21	LUZ MATRICULA / LIGHT OF PLATE	BE250734124	1
22	TORN. ESPECIAL 6X20 / 6X20 SCREW	T0206020	2
23	TORN. PHILIPS 6X25 / PHILIPS SCREW 6X25	T0706025	1
24	CASQUILLO / CAP	BE25610007	1
25	ARANDELA / WASHER	BE940502509	1
26	ARANDELA NEGRA / BLACK WASHER	BE250710213	1
27	GRAPA SUJECCIÓN /	BQ300214157	1
28	SOPORTE GRAPA GUIA LATIGUILLO /	BEH91150SM4509	1
29	ULS 6X16 / SCREW 6X16	T0506012	1
30	TERCA M6 AUTOBLOCANTE BAJA /	T2206001	1
31	TUERCA NUT M6 / M6 NUT	T2606000	2

GAS GAS

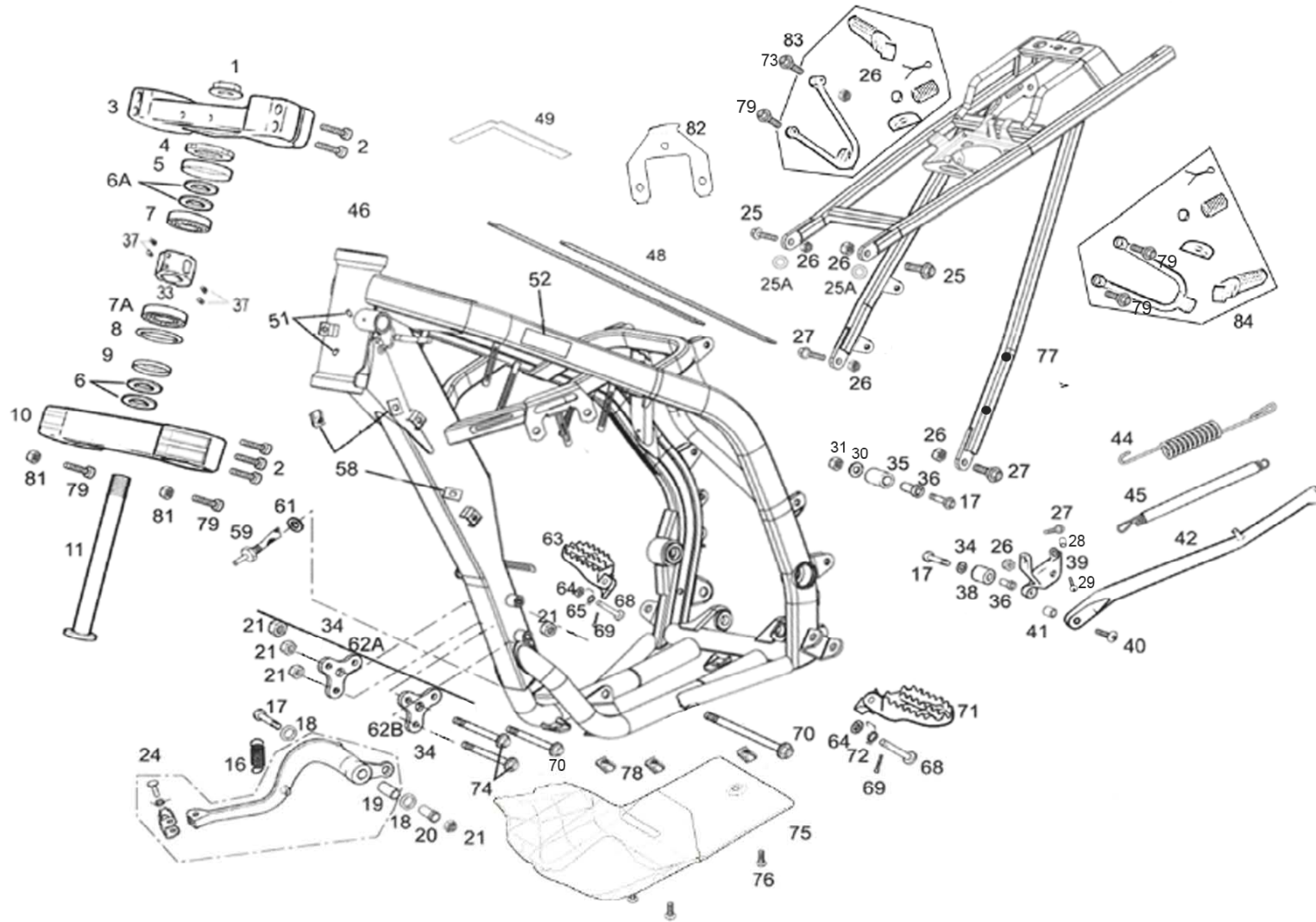
Chasis 4



Nº	DESCRIPCION / DESCRIPTION		Cant.
1	TUERCA DIRECCIÓN / STEERING SHAFT NUT	BE25610030	1
2	ALLEN 7X30 / 7X30 ALLEN SCREW	T0307030	10
3	BRIDA SUPERIOR SUSPENSIÓN CROSS / CROSS FORK CLAMP (UPPER)	BE250414001	1
4	TUERCA DIRECCIÓN INFERIOR / LOWER STEERING SHAFT NUT	BE25610029	1
5	GUARDAPOLVO COJINETE DIRECCIÓN / BEARING DUST COVER	BE25610126	1
6	ARANDELA DIRECCIÓN / STEERING WASHER	BE250610028	1
6A	ARANDELA DIRECCIÓN / STEERING WASHER	BE25610028	2
7	COJINETE DIRECCIÓN / STEERING BEARING	BE25610008	1
7A	COJINETE DIRECCIÓN / STEERING BEARING	BE250610008	1
8	TÓRICA DIRECCIÓN 50X5 / 50X5 STEERING O'RING	BE25610012	1
9	CAZOLETA DIRECCIÓN / STEERING CAP	BE250610026	1
10	BRIDA INFERIOR SUSPENSIÓN CROSS / CROSS FORK CLAMP (LOWER)	BFS450714002	1
11	TIJA DIRECCIÓN / STEERING SHAFT	BE250614003	1
16	MUELLE PEDAL FRENO / BRAKE PEDAL SPRING	BE25610023	1
17	TORNILLO ESPECIAL 8X45 / 8X45 SPECIAL SCREW	T0208045	2
18	TÓRICA PEDAL / PEDAL O'RING	ME250036063	2
19	GLACIER PEDAL FRENO / BRAKE PEDAL BEARING	BE250010009	1
20	CASQUILLO SOPORTE PEDAL FRENO / BRAKE PEDAL SUP. BUSHING	BE250210916	1
21	TUERCA AUTOBLOCANTE CON ARANDELA M8 / M8 SELF-LOCKING NUT	T2208002	5
24	CTO. PEDAL FRENO / BRAKE PEDAL SET	BE250522016CT	1
25	TORNILLO ESPECIAL 8X30 / 8X30 SPECIAL SCREW	T0208030	2
25A	DISTANCIADOR GOMA DEPÓSITO / TANK RUBBER SPACER	BE250714036	2
26	TUERCA AUTOBLOCANTE M8 BAJA / LOW M8 SELF-LOCKING NUT	T2108001	6
27	TORNILLO ESPECIAL 8X20 / 8X20 SPECIAL SCREW	T0208020	3
28	TUERCA AUTOBLOCANTE M5 7SELF-LOCKING M5	T2105001	1
29	ALLEN M5 7 M5 ALLEN	T0305012	1
30	ARANDELA 8X18 / 6X18 WASHER	T4006018	1
31	TUERCA AUTOBLOCANTE M6 CON ARANDELA / SELF-LOCKING M6 NUT	T2206002	1
33	CASQUILLO ANTIRROBO EJE DIRECCIÓN /STEERING AXLE ANTI.THEFT BUSHING	BE25910072	1
34	ARANDELA 8X20X1,5 / 8X20X1,5 WASHER	T4008020	7
35	RODILLO GUÍA CADENA SUPERIOR / UPPER CHAIN ROLL	BE25610014	1
36	CASQUILLO RODILLO 6,25X12X25 / 6,25X12X25 BUSHING	BE250712016	2
37	TORNILLO PRISIONERO M6X8 / SET SCREW M6X8	BE250310073	4
38	RODILLO GUÍA CADENA 13,5X32X23,5 / 13,5X32X23,5 LOWER CHAIN ROLL	BE25610032	1
39	SOPORTE CABALLETE / SIDE STAND HOLDER	BE250212023	1

GAS GAS

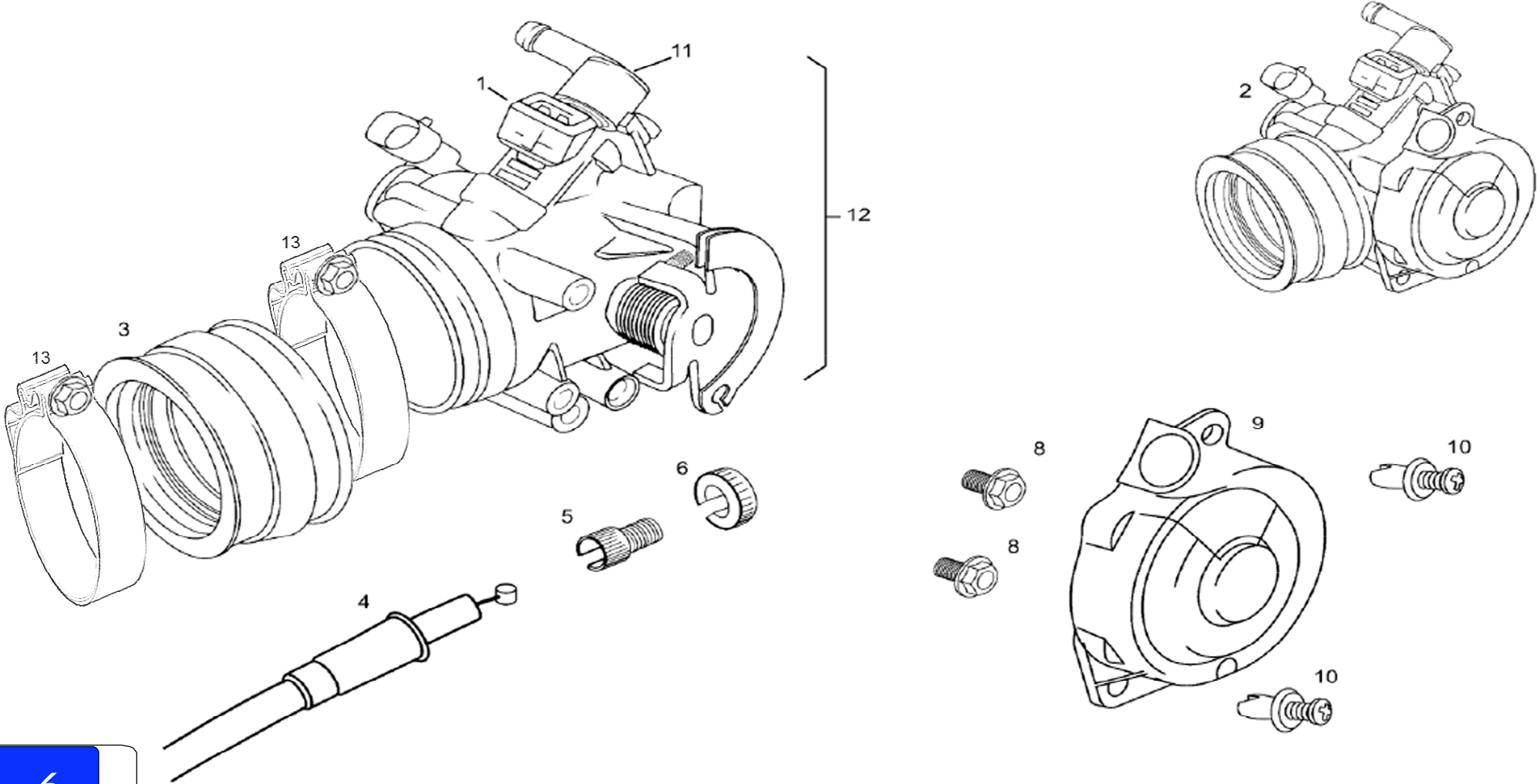
Chasis 5



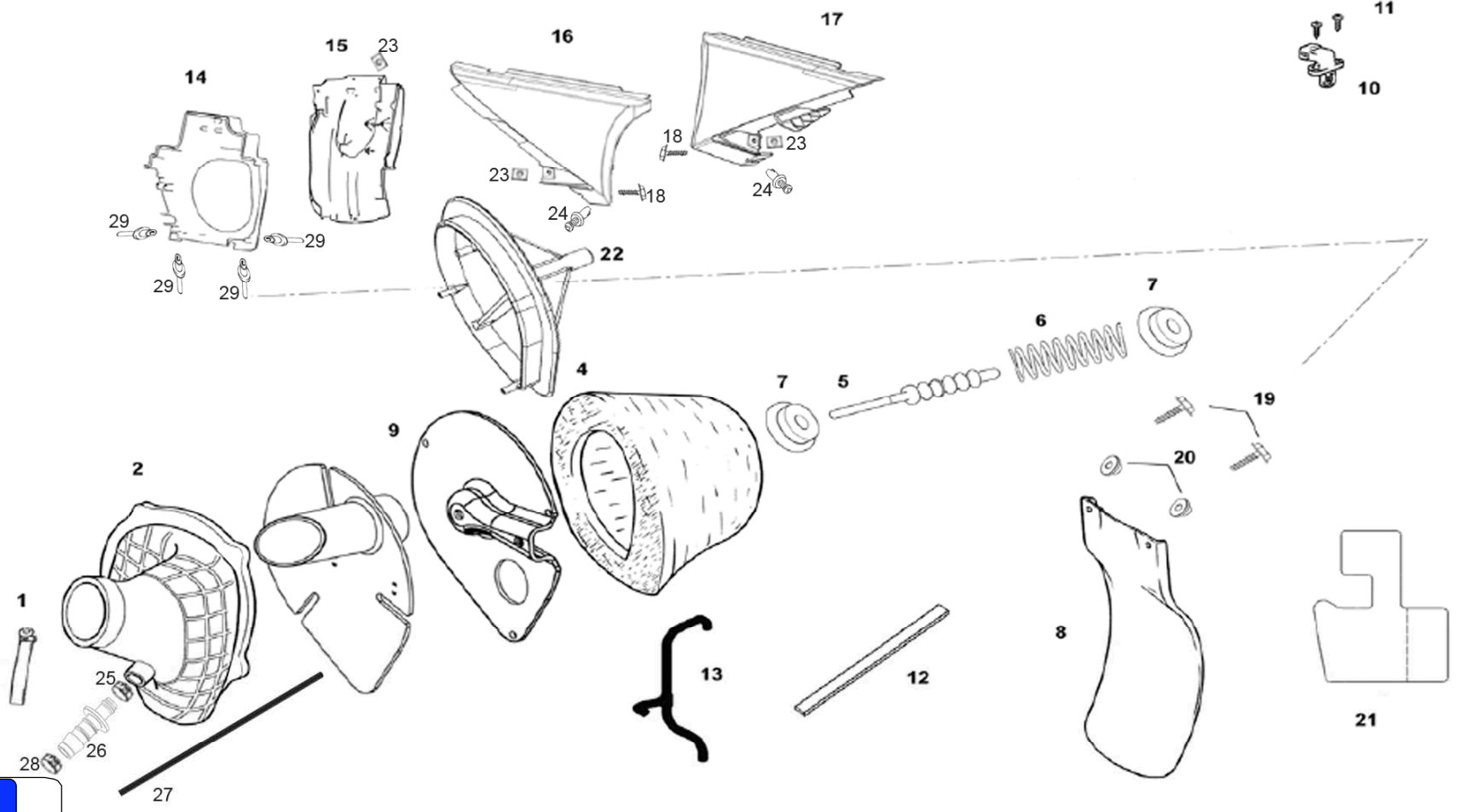
Nº	DESCRIPCION / DESCRIPTION	EH	SM	Cant.
40	ULS 8X30 / 8X30 ULS SCREW	T0508030		1
41	CASQUILLO CABALLETE / SIDE STAND BUSHING	BE250112011		1
42	CABALLETE / SIDE STAND BRACKET	BEH142004509	BE250512010SM	1
44	MUELLE EXTERIOR CABALLETE / SUPPORT OUTER SPRING	BE250510039		1
45	MUELLE CABALLETE / SIDE STAND BRACKET SPRING	BE250410039		1
46	CHASIS ENDURO 450-2008 4T / 450-2008 4T FRAME	BFS100004508		1
48	TIRA GOMA ADH. LATERAL / LATERAL RUBBER STICKER	BFS450738019		2
49	TIRA GOMA ADH. TRASERA / REAR RUBBER STICKER	BFS450738018		1
51	ANTI-ROBO / STEERING LOCK	BE250010075		1
52	AD. TRANSPARENTE Nº BASTIDOR / FRAME NUMBER CLEAR STICKER	PU000138015		1
58	TUERCA NUT M6 / M6 NUT	T2606000		4
59	RACORD CON FILTRO / RACORD WITH FILTER	BFS450632209CT		1
61	ARANDELA 18,2X24X1,5 / 18,2X24X1,5 WASHER	T4006008		1
62A	SOPORTE MOTOR IZQUIERDO / LEFT ENGINE SUPPORT	BFS450610990		1
62B	SOPORTE MOTOR DERECHO / RIGTH ENGINE SUPPORT	BFS450510989		1
63	ESTRIBO DERECHO / RIGHT FOOTREST	BE250010002		1
64	ARANDELA / WASHER	T4001021		2
65	MUELLE ESTRIBO DERECHO / RIGHT FOOTREST SPRING	BE25610037		1
68	CASQUILLO ESTRIBO / FOOTREST BUSHING	BE25610006		2
69	CLAVILLA ZINC / ZINC PIN	BE25622022		2
70	TORNILLO ESPECIAL M8X103 / 8X103 SPECIAL SCREW	T0208103		1
71	ESTRIBO IZQUIERDO / LEFT FOOTREST	BE250010003		1
72	MUELLE ESTRIBO IZQUIERDO / LEFT FOOTREST SPRING	BE25610038		1
73	ALLEN 8X35 / 8X35 ALLEN	T0308035		1
74	TORNILLO ESPECIAL M8X85 / M8X85 SPECIAL SCREW	T0208085		2
75	PROTECTOR CÁRTER / CARTER PROTECTOR	BFS450510930		1
76	ULS 8X20 / 8x20 ULS SCREW	T0508020		3
77	COLA CHASIS / FRAME TAIL	BFS12000SM4508		1
78	TUERCA NUT M8 RÁPIDA / M8 FAST LOCK NUT	BT280010041		3
79	ALLEN 8X20 / 8X20 ALLEN SCREW	T0308020		5
80	ARANDELA 6X18X1,5 / 6X18X1,5 WASHER	T4006018		1
81	TUERCA M8 / M8 NUT	T2008002		2
82	SOPORTE BOBINA KOKUSAN / SUPORT COIL	EFS550004508		1
83	ESTRIBO PASAJERO DRCH. / FLEETING STIRRUP STRAIGHT	BPS141004508		1
84	ESTRIBO PASAJERO IZQ. / LEFT FLEETING STIRRUP	BPS141054508		1

GAS GAS

Chasis 5



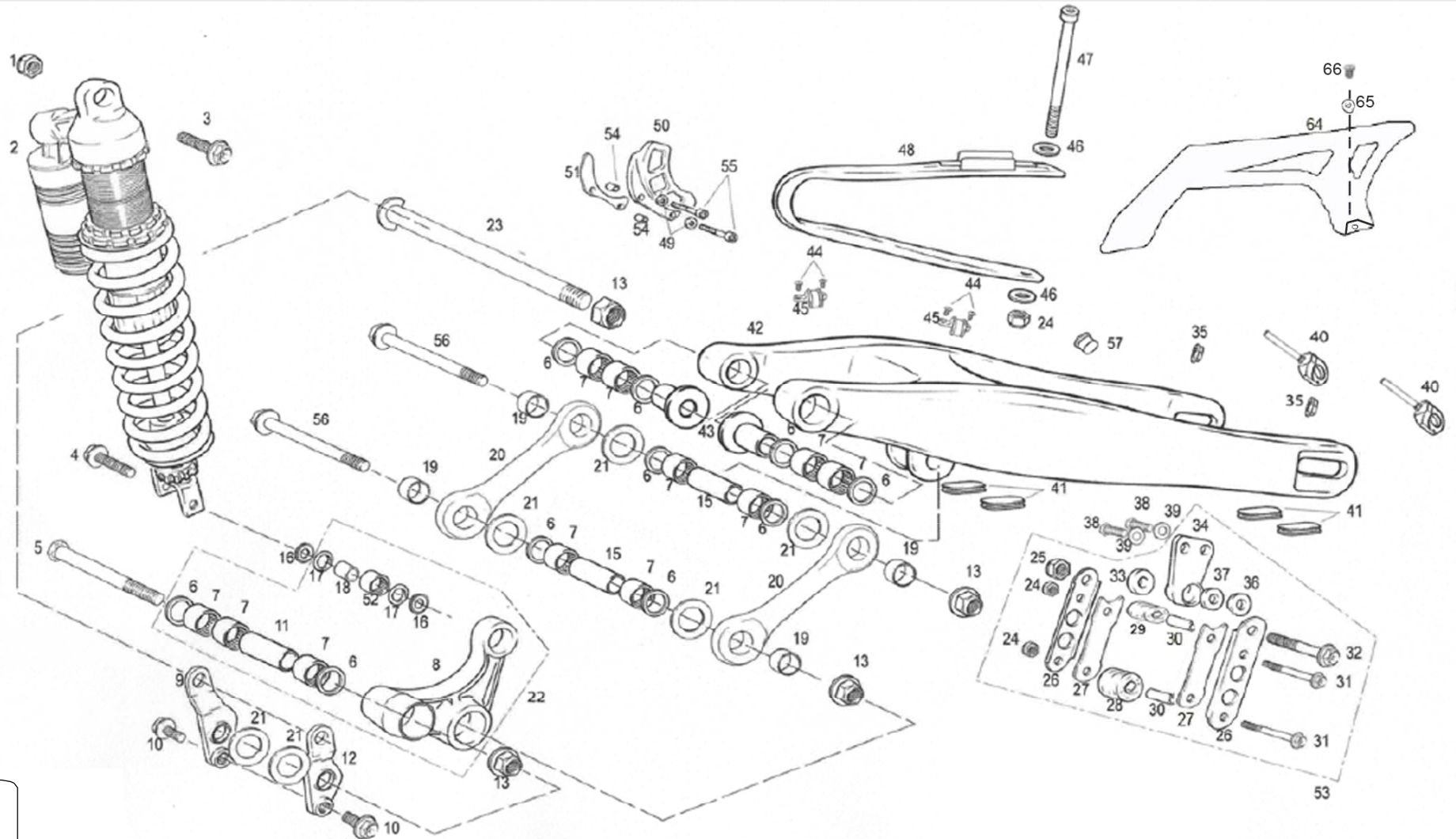
Nº	DESCRIPCION / DESCRIPTION			Cant.
1	INYECTOR FSR / FSR INJECTOR		BFS781004508	1
2	POTENCIÓMETRO INYECTOR / INJECTOR TRIM - POT		MFS450380010	1
3	TUBERA ADMISIÓN / INTAKE RUBBER		MFS400116131	1
4	CABLE GAS / THROTTLE CABLE		BFS450524008	1
5	TUERCA TENSOR CABLE GAS / THROTTLE GAS TENSOR NUT		BFS400124013	1
6	TENSOR CABLE GAS / THROTTLE GAS TENSOR		BFS450524012	1
8	TORNILLO ESP. 5X10 / SPECIAL 5X10 SCREW		T0205010	2
9	TAPA CABLE GAS / THROTTLE GAS COVER		MFS450580007	1
10	CLIPS FIJACIÓN TAPA / COVER CLIPS		MFS450580013	2
11	ENTRADA INYECTOR CUERPO MARIPOSA / BUTTERFLY VALVE BODY INJECTOR INTAKE		MFS450480003	1
12	CUERPO MARIPOSA 45 CFE1 / 45 CFE1 BUTTERFLY VALVE BODY		BFS780004508	1
13	ABRAZADERA / CLAMP		L200047	2



Nº	DESCRIPCION / DESCRIPTION		Cant.
1	ABRAZADERA 40-60 / 40-60 CLAMP	L200047	2
2	GOMA TUBERA CAJA FILTRO EC450 2005 / EC450 2005 BOX FILTER RUBBER	BFS450728017	1
3	JAULA FILTRO AIRE / AIR FILTER CARRIER	BE250628002	1
4	FILTRO AIRE / AIR FILTER	BFS450728000	1
5	VARILLA PALOM FILTRO / FILTER SCREW	BE250728003	1
6	MUELLE VARILLA CAJA FILTRO / FILTER BOX SCREW SPRING	BE250728051	1
7	ARANDELA NYLON TOPE MUELLE / SPRING END NYLON WASHER	BE250728052	2
8	PROTECTOR SUSPENSIÓN TRASERA / REAR SHOCK ABSORBER PROTECTOR	BE25620008	1
9	RESTRICTOR AIRE CAJA FILTRO / FILTER BOX AIR RESTRICTOR	BE250728014	1
10	SENSOR AIRE / AIR SENSOR	MFS400180003	1
11	TORNILLO 3X8 / 3X8 SCREW	T1003009	2
12	ESPUMA / FOAM	BFS795004508	1
13	TUBO DESVAPORIZADOR / STEAM HOSE	MFS450716103	1
14	TAPA CAJA FILTRO DELANTERA / FRONT FILTER BOX COVER	BE250728054	1
15	TAPA CAJA FILTRO TRASERA / REAR FILTER BOX COVER	BE250728055	1
16	TAPA CAJA FILTRO DERECHA / RIGHT FILTER BOX COVER	BE250728056	1
17	TAPA CAJA FILTRO IZQUIERDA / LEFT FILTER BOX COVER	BE250728057	1
18	TORN. ROSCA PLÁSTICO 4,5 X 14 / PLASTIC SCREW 4,5 X 14	BE250420063	4
19	TORN. ROSCA PLÁSTICO 4,5 X 20 / PLASTIC SCREW 4,5 X 20	BE250728058	2
20	CASQ. FRONTAL AMORTIGUADOR / FRONT SHOCK ABSORBER BUSHING	BE250728059	2
21	ADHESIVO CAJA FILTRO / FILTER BOX DECAL	BFS450728053	1
22	ARAÑA FILTRO / FILTER SPIDER	BE795012508	1
23	TUERCA NUT M6 / M6 NUT	T2606000	3
24	CLIP TORNILLO 1021 / SCREW CLIP 1021	MFS450580013	2
25	ABRAZADERA 15 / 15 CLAMP	L200053	1
26	RACORD	BFS450628048	1
27	TUBU DESVAPORIZADOR	MFS450616103	1
28	ABRAZADERA / CLAMP	MFS400110031	1
29	REMACHE / RIVET	T4514012	4

GAS GAS

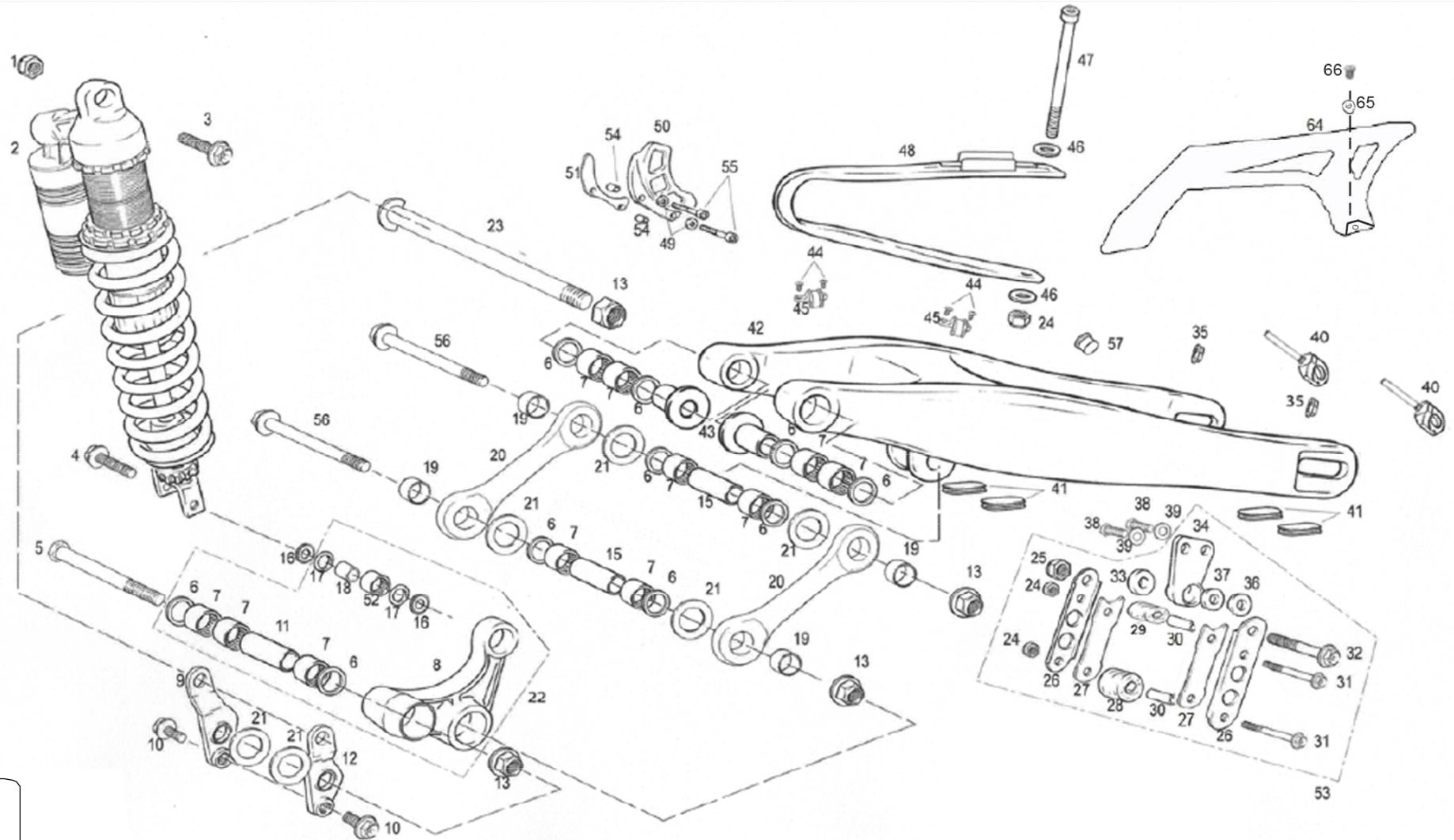
Chasis 7



Nº	DESCRIPCION / DESCRIPTION		Cant.
1	TUERCA AUTOBLOCANTE M10+C41 / SELF-LOCKING NUT M10	T3110002	1
2	AMORTIGUADOR TRASERO / REAR SHOCK ABSORBER	BFS250514004SA	1
3	TORNILLO ESPECIAL M10X55 / SPECIAL SCREW M10X55	T0210055	1
4	TORNILLO M10X40X1,25 / BOLT M10X40X1.25	T0110042	1
5	TORNILLO ESPECIAL 14X110 / SPECIAL SCREW 14X110	T0214110	1
6	TÓRICA 3.5X21 / 3.5X21 O'RING	BE250510011	10
7	JAULA AGUJAS 22BM2816 / 22BM2816 NEEDLES BEARING	BE25614010	11
8	BALANCÍN / ROCKER ARM	BE25614005	1
9	SOPORTE BALANCÍN DERECHO / RIGHT ROCKER ARM SUPPORT	BE250314006	1
10	TORNILLO ESPECIAL 12X25X1,25 / SPECIAL SCREW 12X25X1.25	T02012025	2
11	CASQUILLO 14X22X62,5 / BUSHING 14X22X62.5	BE25612005	1
12	SOPORTE BALANCÍN IZQUIERDO / LEFT ROCKER ARM SUPPORT	BE250314007	1
13	TUERCA BASCULANTE TT / NUT	BE25612009	4
15	CASQUILLO 14X22X57 / BUSHING 14X22X57	BE25612014	2
16	ARANDELA REGLAJE 21X10,2X1 / SETTING WASHER 21X10.2X1	T4001022	2
17	TÓRICA BIELETA 15X3,5 / CONNECTING ROD O'RING	BE25814015	2
18	CASQUILLO INFERIOR AMORTIG. D.16X21X10 / SHOCK ABSORBER BUSHING (LOWER)	BE25642005	1
19	CASQUILLO BIELETA / CONNECTING ROD BUSHING	BE25642002	4
20	BIELETA / CONNECTING ROD	BE120114008	2
21	ARANDELA 22,4X36X0,7 REGLAJE / SETTING WASHER 22.4X36X0.7	T4022036	6
22	BALANCÍN EC COMPLETO / EC ROCKER ARM SET	BE250514005CT	1
23	EJE BASCULANTE / SWINGARM SHAFT	BE250312008	1
24	TUERCA AUTOBLOCANTE M6 ALTA / HIGH SELF LOCKING NUT M6	T2106002	3
25	TUERCA AUTOBLOCANTE M8 BAJA / LOW SELF LOCKING NUT M8	T2108001	1
26	PLATINA GUÍA CADENA / CHAIN GUIDE BRACKET	BE25912017	2
27	TIRA NYLON ANTIRUIDO / ANTI-NOISE NYLON BAND	BE25612022	2
28	RODILLO GUÍA CADENA 13,55X32X23,5 / CHAIN GUIDE ROLLER 13.55X32X23.5	BE25610032	1
29	RODILLO GUÍA CADENA / CHAIN GUIDE ROLLER	BE25610014	1
30	CASQUILLO GUIA CADENA / CHAIN GUIDE BUSHING	BE25610025	2
31	TORNILLO ESPECIAL 6X45 / SPECIAL SCREW 6X45	T0206045	2
32	TORNILLO ESPECIAL 8X45 / SPECIAL SCREW 8X45	T0208045	1
33	DISTANCIADOR SOP. GUIA CADENA GRANDE / BIG CHAIN GUIDE SUPPORT SPACER	BE25612021	1

GAS GAS

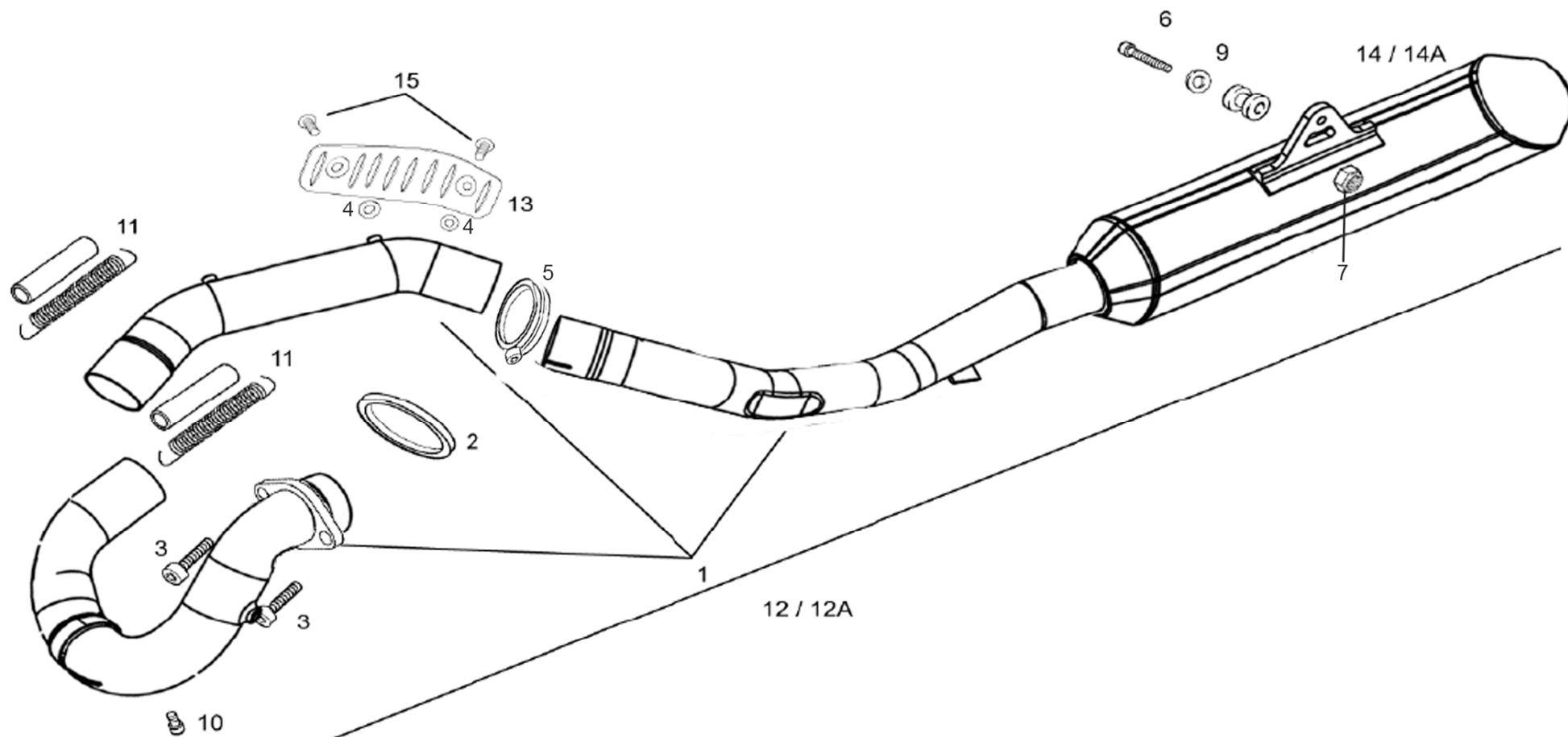
Chasis 8



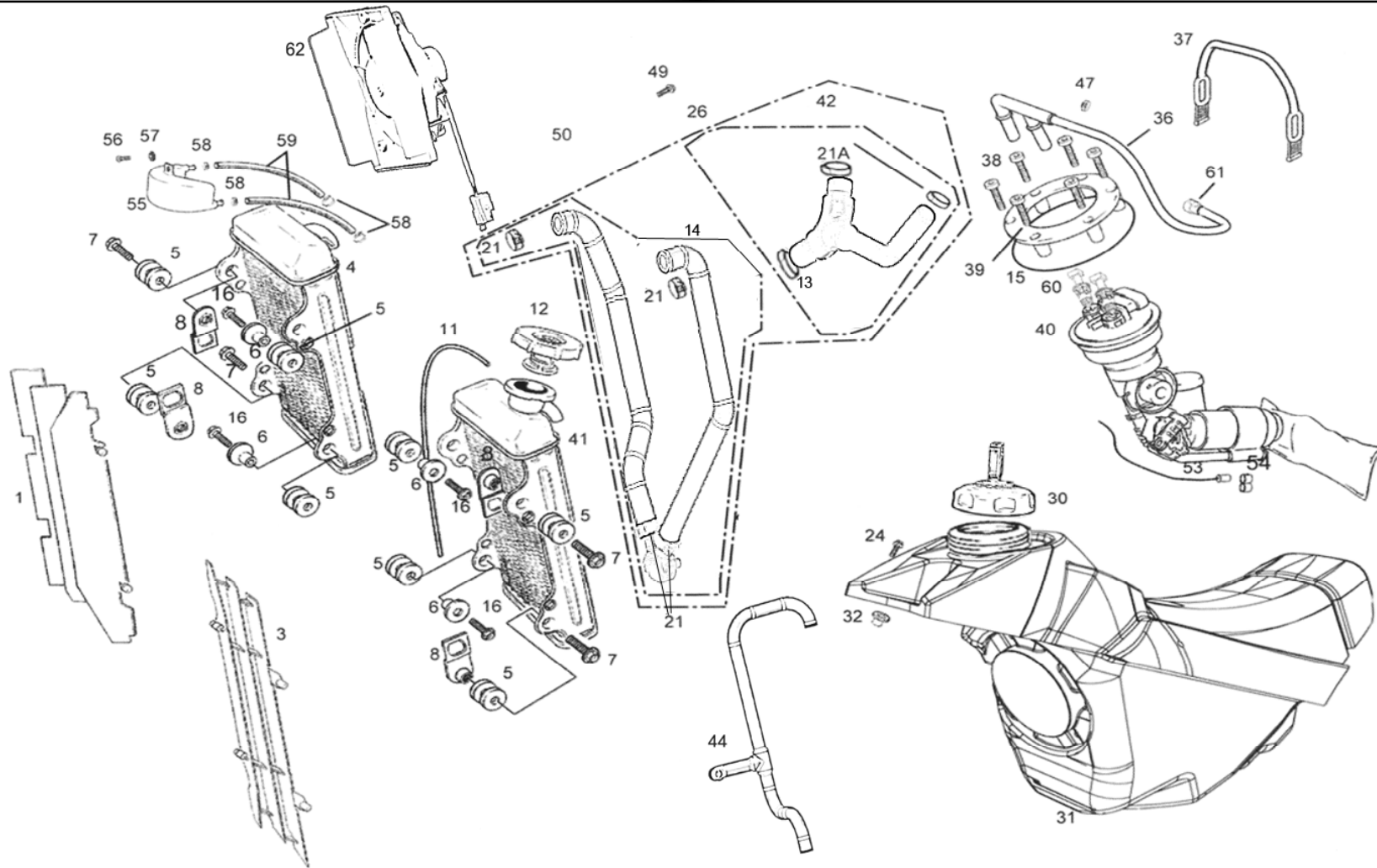
Nº	DESCRIPCION / DESCRIPTION		Cant.
34	SOPORTE GUÍA CADENA / CHAIN GUIDE SUPPORT	BE25612018	1
35	TUERCA CILINDRO 8.8 ESP 10/150 C3 / CYLINDER NUT 8.8 ESP 10/150 C3	ME25616031	2
36	DISTANCIADOR SOPORTE GUIA CADENA PEQ. / SMALL CHAIN GUIDE SUPPORT SPACER	BE25612020	1
37	SILENTBLOCK SOPORTE GUIA CADENA / CHAIN GUIDE SUPPORT SILENTBLOCK	BE25612019	1
38	HEXAGONAL 8X20 / HEX. BOLT 8X20	T0108020	2
39	ARANDELA 8X16X1.5 / WASHER 8X16X1.5	T4008016	2
40	TENSOR RUEDA DERECHA / RIGHT WHEEL TENSOR	BE250418022	2
41	GOMA PROTECTOR BASCULANTE / SWINGARM PROTECTOR RUBBER	BE25836005	4
42	BASCULANTE / SWINGARM	BE250612002RC	1
43	CASQUILLO BASCULANTE / SWINGARM BUSHING	BE250312007	2
44	ULS 5X12 / ULS BOLT 5X12	T0505012	4
45	SUJECIÓN LATIGUILLO SOBRE BASCULANTE / SWINGARM HOSE HOLDER	BE25612006	2
46	ARANDELA 6X18X1.5 / WASHER 6X18X1.5	T4006018	2
47	ALLEN 6X100 / 6X100 ALLEN BOLT	T03060100	1
48	PATÍN CADENA / CHAIN SLIDER	BE250112015	1
49	ARANDELA PLANA 6X12X1.5 / PLAIN WASHER 6X12X1.5	T4006012	2
50	PROTECCIÓN PIÑÓN PLÁSTICO ENDURO / ENDURO PLASTIC PINION PROTECTION	ME250036121	1
51	PLATINA PROTECTOR PIÑÓN / PINION PROTECTOR BRACKET	ME25636021	1
52	JAULA AGUJAS AL1216 / AL 1216 NEEDLES BEARING	BE25614009	1
53	CTO. TENSOR CADENA / CHAIN TIGHTER SET	BE25612018CT	1
54	CASQUILLO DISTANCIADOR PIÑÓN / SPACER PINION BUSHING	ME250036019	2
55	ALLEN 6X45 / 6X45 ALLEN BOLT	T0306045	2
56	TORNILLO ESPECIAL M14X95 / M14X95 SPECIAL SCREW	T0201495	2
57	TAPÓN BASCULANTE BLANCO / WHITE SWINGARM CAP	BE250436001	4
58	MUELLE TENSOR RUEDA TRAS.	BE250718122	1
64	PROTECTOR BASCULANTE /PROTECTIVE TILT	BE250328011	1
65	CASQUILLO / BUSH	BE25610007	1
66	ULS 6X16 /6X16 ULS	T0506016	1

GAS GAS

Chasis 8



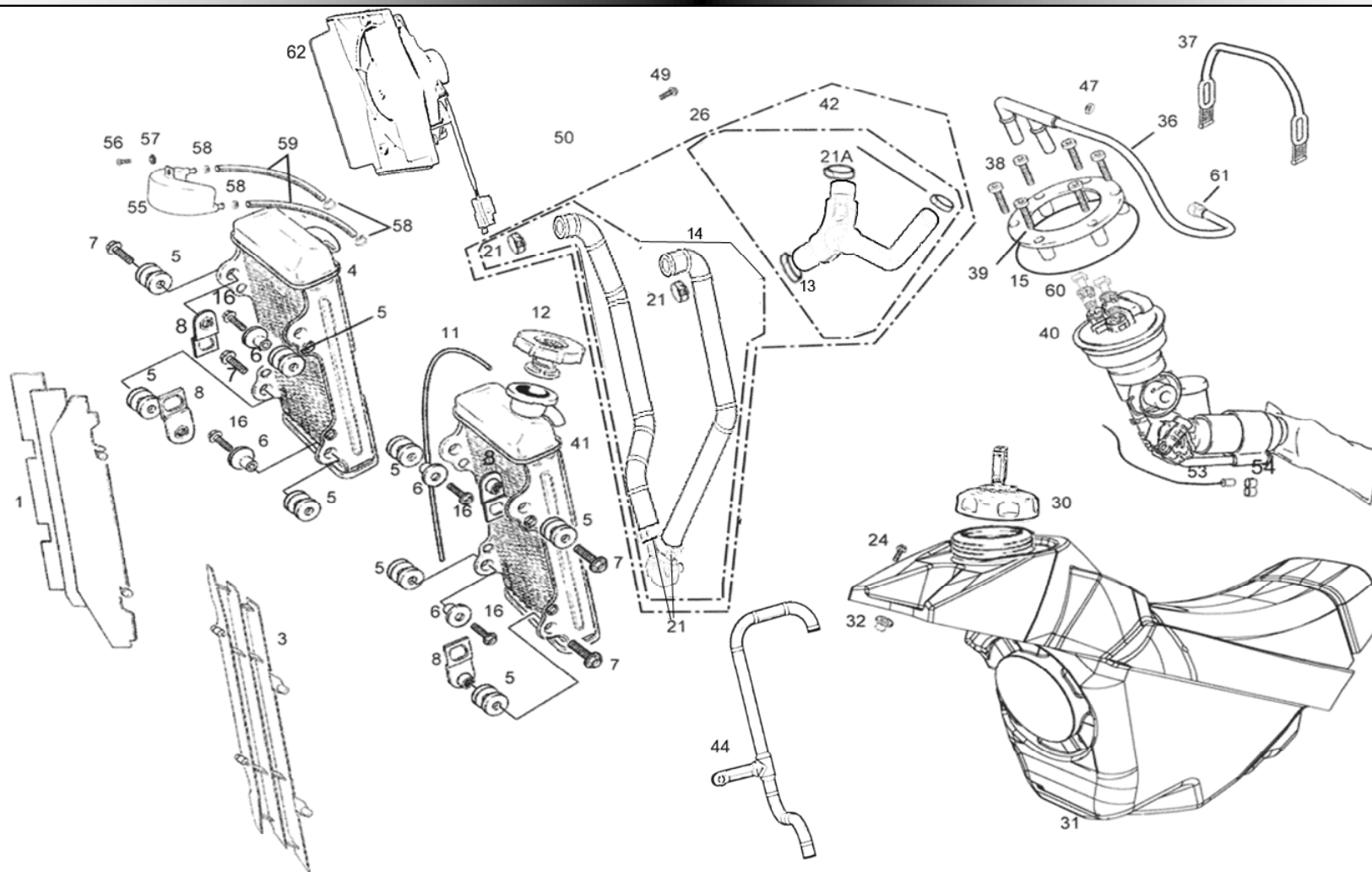
Nº	DESCRIPCION / DESCRIPTION		Cant.
1	TUBO ESCAPE / EXHAUST	BFS450526001	1
2	JUNTA EC4T / EXHAUST GASKET	MFS400144012	1
3	ALLEN 8X20 / 8X20 ALLEN SCREW	T0308020	2
4	ARANDELA GLASMIDE / GLASMIDE WASHER	T4006715	4
5	ABRAZADERA / CLAMP		1
6	ALLEN 8X45	T0308045	1
7	TUERCA CON ARANDELA / NUT WITH WASHER	T2208002	1
9	ARANDELA 8X24X2 / 8X24X2 WASHER	T4008024	1
10	TAPON SENSOR Co / SENSOR CAP	BFS400126054	1
11	MUELLE ESCAPE 4T / FSE EXHAUST SPRING	BFS400110042	2
12	CTO. ESCAPE RACING COLOR TITANIO/ COLOR TITANIUM RACING EXHAUST SET	BFS85000RCCT4508	1
12A	CTO. ESCAPE / EXHAUST SET	BFS85000CT4508	1
13	PROTECTOR ESCAPE / EXHAUST TUBE PROTECTOR	BFS4500526002	1
14	ESCAPE FINAL STANDARD / QUIET EXHAUST	BFS870004508	1
14A	ESCAPE FINAL TITANIO / TITANIUM QUIET EXHAUST	BFS87000RC4508	1
15	TORNILLO / SCREW	T0556010	2

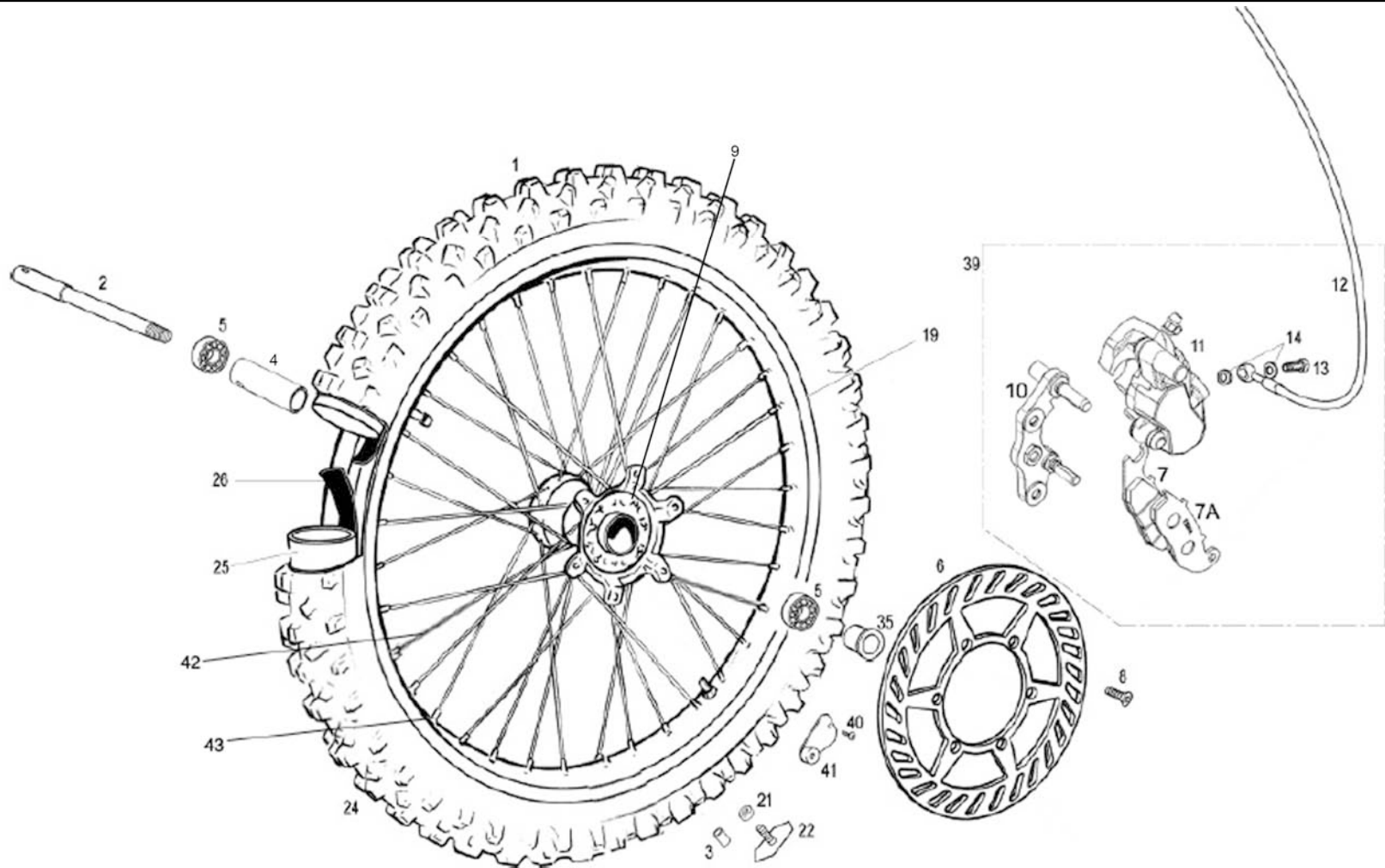


Nº	DESCRIPCION / DESCRIPTION	EC 2009	Cant.
1	REJILLA RADIADOR DERECHO / RIGHT RADIATOR RACK	BFS450720001	1
3	REJILLA RADIADOR IZQUIERDO / LEFT RADIATOR RACK	BFS250720002	1
4	RADIADOR DERECHO / RIGHT RADIATOR	BFS450732000	1
5	SILENTBLOCK RADIADOR / RADIATOR SILENTBLOCK	BE250026005	8
6	CASQUILLO RADIADOR / RADIATOR BUSHING	BE25832040	4
7	TORNILLO ESPECIAL 6X16 / 6X16 SPECIAL SCREW	T0206016	4
8	PLÁSTICO LATERAL RADIADOR / RADIATOR PROTECTOR	BE25632015	4
11	TUBO SOBRANTE RADIADOR / RADIATOR BREATHE HOSE	BE25632009	1
12	TAPÓN RADIADOR 1.8BAR / RADIATOR TAP 1.8BAR	BFS400132032	1
13	ABRAZADERA COBRA 25 / 25 CLAMP	BE120132052	1
14	TUBO RADIADORES	BEH71000CT4509	1
15	TÓRICA BOMBA INYECCIÓN / INJECTION PUMP O'RING	MFS400180105	1
16	ALLEN 6X20 / 6X20 ALLEN SCREW	T0306020	4
21	ABRAZADERA COBRA 21 / 21 CLAMP	L200046	2
21A	ABRAZADERA COBRA 20 / 20 CLAMP	L20035	2
24	TORNILLO ESPECIAL 6X20 / 6X20 SPECIAL SCREW	T0206020	1
26	CONJUNTO TUBOS RADIADOR / RADIATOR HOSE SET	BFS450532050	1
30	TAPÓN DEPÓSITO GASOLINA / FUEL TANK CAP	BEH760101209	1
31	DEPÓSITO / FUEL TANK	BFS760004508	1
32	CASQUILLO DEPÓSITO / FUEL TANK BUSHING	BE25610007	1
36	CTO.TUBOS BOMBA INYECCIÓN FSE450-2005 / FSE 450 2005 FUEL INJECTION HOSE SET	BFS450580115	1
37	TIRA SUJ. DEPÓSITO EC 2001 / FUEL TANK RUBBER BAND HOLDER	BE250136020	1
38	ALLEN 5X25 / 5X25 ALLEN SCREW	T0305025	6
39	TAPA BOMBA INYECCIÓN / INJECTION PUMP COVER	MFS400180106	1
40	BOMBA GASOLINA / FUEL PUMP	MFS400180100	1
41	RADIADOR IZQUIERDO / LEFT RADIATOR	BFS450732001	1
42	CTO. TUBOS RADIADOR A BOMBA AGUA / RADIATOR TO WATER PUMP HOSE	BFS450732020	1
44	TUBO DESVAPORIZADOR MOTOR / ENGINE BOX BREATHER TUBE	MFS450716103	1
47	ABRAZADERA D.12.9-13.6 AMARILLA / 12.9-13.6 YELLOW CLAMP	BE250210047	4
49	TORNILLO HEXAGONAL 4X10 / 4X10 HEXAGONAL SCREW	T0104010	3
53	SENSOR GASOLINA / FUEL SENSOR	MFS450580113	1
54	CLIP FIJACIÓN SENSOR BOMBA INYECCIÓN / FUEL SENSOR SUPPORT CLIP	MFS450380112	1
55	VASO EXPANSION EC-2001 / EC-2001 EXPANSION RESERVOIR	BE250132005	1
56	TORNILLO ULS 6 x16 / ULS 6 x16 SCREW	T0506016	1

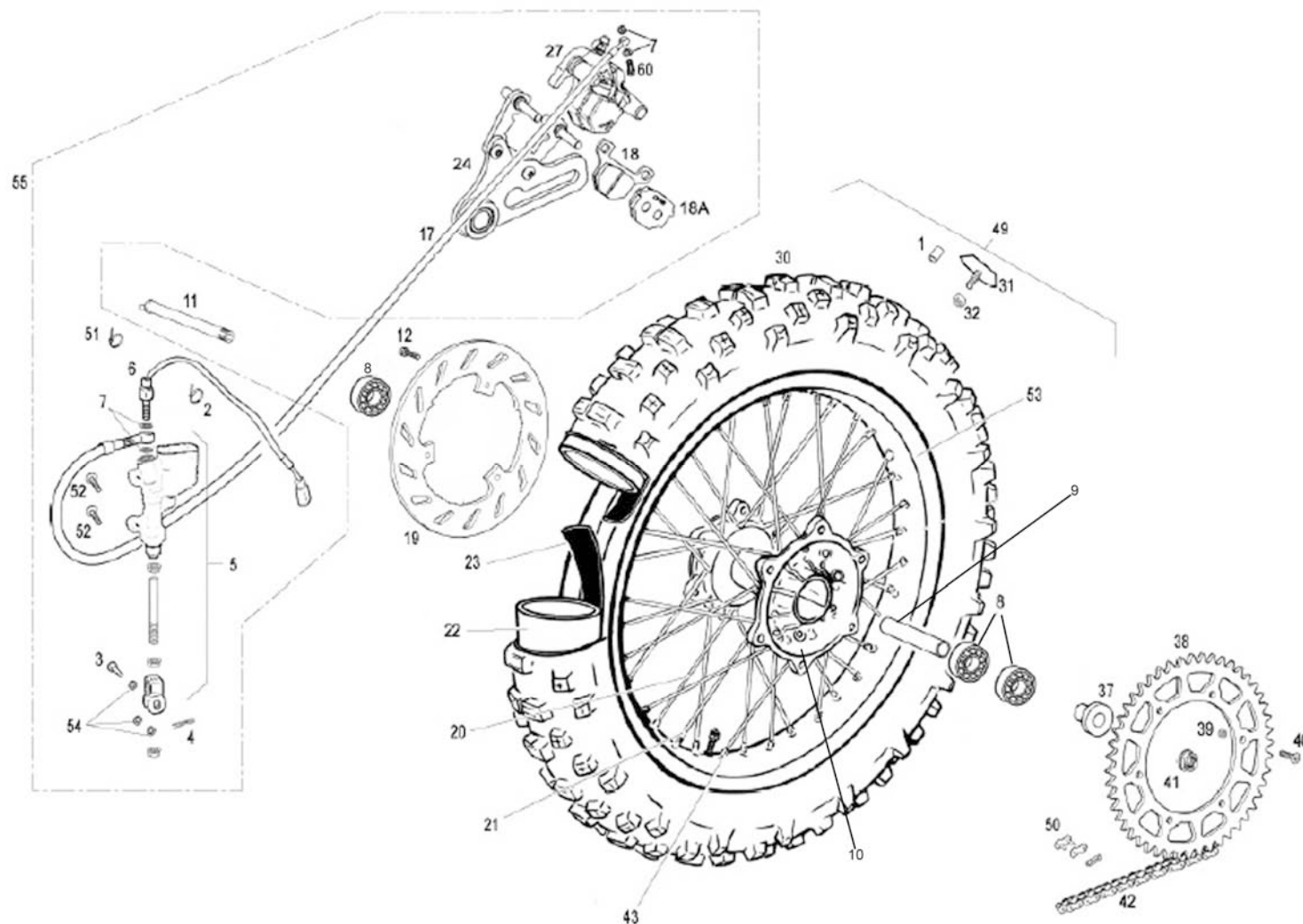
GAS GAS

Chasis 10





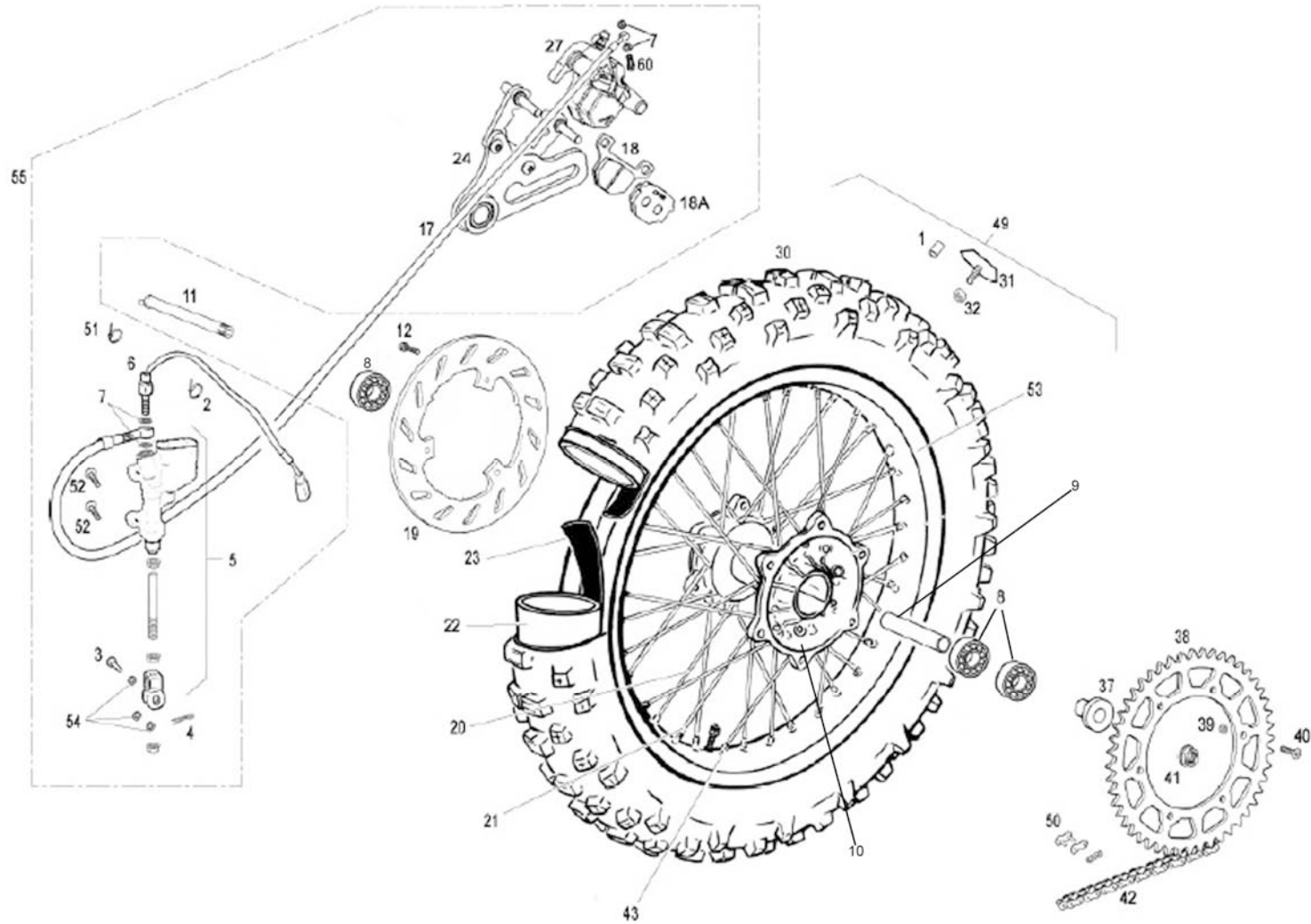
Nº	DESCRIPCION / DESCRIPTION	SM	EH	Cant.
1	RUEDA DELANTERA / FRONT WHEEL	BEH50000SMCT4509	BEH50000CT4509	1
2	EJE RUEDA DELANTERA / FRONT WHEEL AXIS		BEH530004509	1
3	CASQUILLO AGARRE CUBIERTA DELANTERA / FRONT TIRE HOLDING BUSHING		BE250518048	1
4	CASQUILLO SEPARADOR / CAP SEPARATOR		BEH512004509	1
5	COJINETE 6904/ BEARING 6904		BEH510004509	2
6	DISCO FRENO DELANTERO / FRONT BRAKE DISC		BEH5200012098	1
7	PASTILLA DE FRENO DELANTERO INTERIOR/ FRONT BRAKE PAD		BEH620651209	1
7A	PASTILLA DE FRENO DELANTERO EXTERIOR / FRONT BRAKE PAD		BEH620661209	1
8	TORNILLO ESPECIAL TORX M6 / M6 SPECIAL SCREW TORX		BEH521001209	6
9	BUJE DELANTERO / FRONT WHEEL HUB		BEH541004509	1
10	SOPORTE PINZA DELANTERO / FRONT CALIPER SUPPORT		BEH620104509	1
11	PINZA FRENO DELANT. / FRONT BRAKE CALIPER		BEH620001209	1
12	LATIGUILLO FRENO DELANTERO / FRONT BRAKE HOSE		BEH611001209	1
13	RACORD SUJ. LATIGUILLO 10X1 / HOSE HOLDER RACORD 10X1		R320000	2
14	ARANDELA LATIGUILLO 10X14X1 / HOSE WASHER 10X14X1		BE25622007	2
19	LLANTA / RIM	BEH54000SM4509	BEH540001209	1
21	TUERCA AUTOBLOCANTE M8 BAJA / M8 NUT SELF-LOCKING LOWER		T2108001	1
22	AGARRE CUBIERTA DELANTERA / FRONT TIRE HOLDER		BE505002509	1
24	NEUMÁTICO 90/90-21 T63 / TIRE 90/90-21 T63 //// SM 120/60 ZR17 55W PILOT SPORT FTL	BE250118102SM	BEH501004509	1
25	CÁMARA DELANTERA / FRONT AIR HOSE	BE250118001SM	BIE500118001	1
26	PROTECTOR BANDA DELANTERA / FRONT RIM BAND	BE250118028SM	BIE500118028	1
35	CASQUILLO RUEDA DELANTERA / FRONT WHEEL BUSHING		BEH531004509	1
39	CTO. FRENO DELANTERO PURGADO / FRONT BRAKE SET		BEH60000CT4509	1
40	ULS 3X10 NEGRO CON ARANDELA / BLACK 3X10 ULS WITH WASHER		T0323010	1
41	CTO. SOPORTE CON IMAN C.K. / SUPPORT WITH MAGNET SET		BP120734008CT	1
42	RADIO DELANTERO / FRONT SPOKE		BEH542001209	36
43	TUERCA RADIO / SPOKE NUT		BEH542501209	36



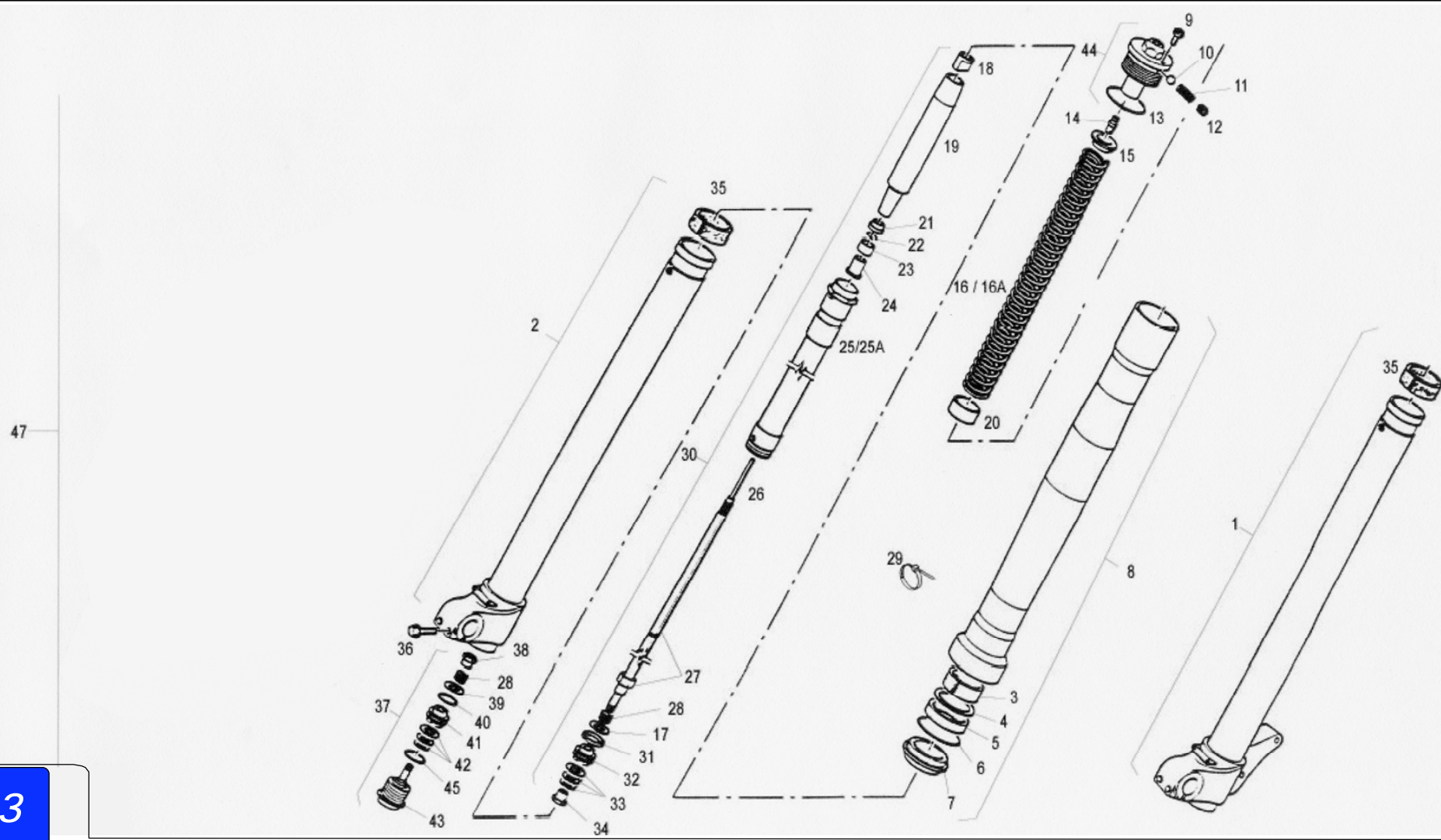
Nº	DESCRIPCION / DESCRIPTION	SM	EH	Cant.
1	CASQUILLO AGARRE CUBIERTA DELANTERA / FRONT TIRE HOLDING BUSHING		BE250518048	1
2	BRIDA UNEX 2244 16/102 4.8X36 / CLAMP 2244 16/102 4.8X36		BE25634007	1
3	PASADOR 8X20 PEDAL FRENO / BRAKE PEDAL PIN 8X20		BE25622026	1
4	CLAVILLA PASADOR FRENO 2X20 / BRAKE PEDAL PIN STOPPER		BE25622027	1
5	BOMBA FRENO TRASERO / REAR BRAKE PUMP		BEH660001209	1
6	INTERRUPTOR STOP BOMBA / BRAKE PUMP STOP SWITCH		BEP250234003	1
7	ARANDELA LATIGUILLO 10X14X1 / HOSE WASHER 10X14X1		BE25622007	4
8	COJINETE 6904 / BEARING 6904		BEH560001209	3
11	EJE RUEDA TRASERA / REAR WHEEL AXIS		BE25618020	1
12	TORNILLO HEXAGONAL M8 DISCO TRAS. / R. DISC BRAKE HEX. SCREW M8		BEH571001209	3
17	LATIGUILLO FRENO TRASERO / REAR BRAKE HOSE		BEH661001209	1
18	PASTILLA DE FRENO TRASERO INT. / INT. REAR BRAKE PAD		BEH675001209	1
18A	PASTILLA DE FRENO TRASERO EXT. / EXT. REAR BRAKE PAD		BEH675011209	1
19	DISCO FRENO TRASERO / REAR BRAKE DISC		BEH570001209	1
20	RADIO 192X4,5 LADO FRENO 18" / 18" BRAKE-SIDE SPOKE 192X4.5		BEH592001209	18
21	RADIO 188X4,5 LADO CORONA 18" / 18" SPROCKET-SIDE SPOKE 188X4.5		BEH592101209	18
22	CAMARA TRASERA / REAR AIR HOSE	BE250118005SM	BIE500118004	1
23	PROTECTOR BANDA TRASERA / REAR RIM BAND	BE250118028SM	BIE500118003	1
24	SOPORTE PINZA TRASERA / REAR CALIPER SUPPORT		BEH671001209	1
27	PINZA FRENO TRASERO / REAR BRAKE CALIPER		BEH670001209	1
30	NEUMÁTICO TRASERO 130/90-18 T63 / REAR TYRE 130/90-18 T63 //// SM 150/60 ZR17 66W PILOT SPORT RTL	BE250118005SM	BEH551004509	1
31	AGARRE CUBIERTA TRASERA / REAR TYRE HOLDER		BE555002509	1
32	TUERCA AUTOBLOCANTE M8 BAJA / SELF-LOCKING NUT M8		T2108001	1
37	DISTANCIADOR RUEDA TRAS. / WHEEL SPACER		BE25618025	1
38	CORONA Z41 SERIE / Z41 SERIAL SPROCKET		BEP250218024	1
38A	CORONA Z38 / Z38 SPROCKET	BP120718024		1
38B	CORONA Z44 / Z38 SPROCKET		BEP120218024	1
39	TUERCA /NUT		T02108001	6
40	TORNILLO / SCREW		T0208035	6
41	TUERCA AUTOBLOCANTE /SELF-LOCKING NUT		BE25618023	1
42	CADENA 110 520HTP / 110 520 HTTP CHAIN		BEH578004509	1
43	TUERCA RADIO TRASERO / REAR SPOKE NUT		BE250018016	36
49	RUEDA TRASERA / REAR WHEEL SET	BEH55000SMCT4509	BEH55000CT4509	1
50	ENGANCHE CADENA / CHAIN SPLIT LINK		BE250310066	1

GAS GAS

Chasis 12



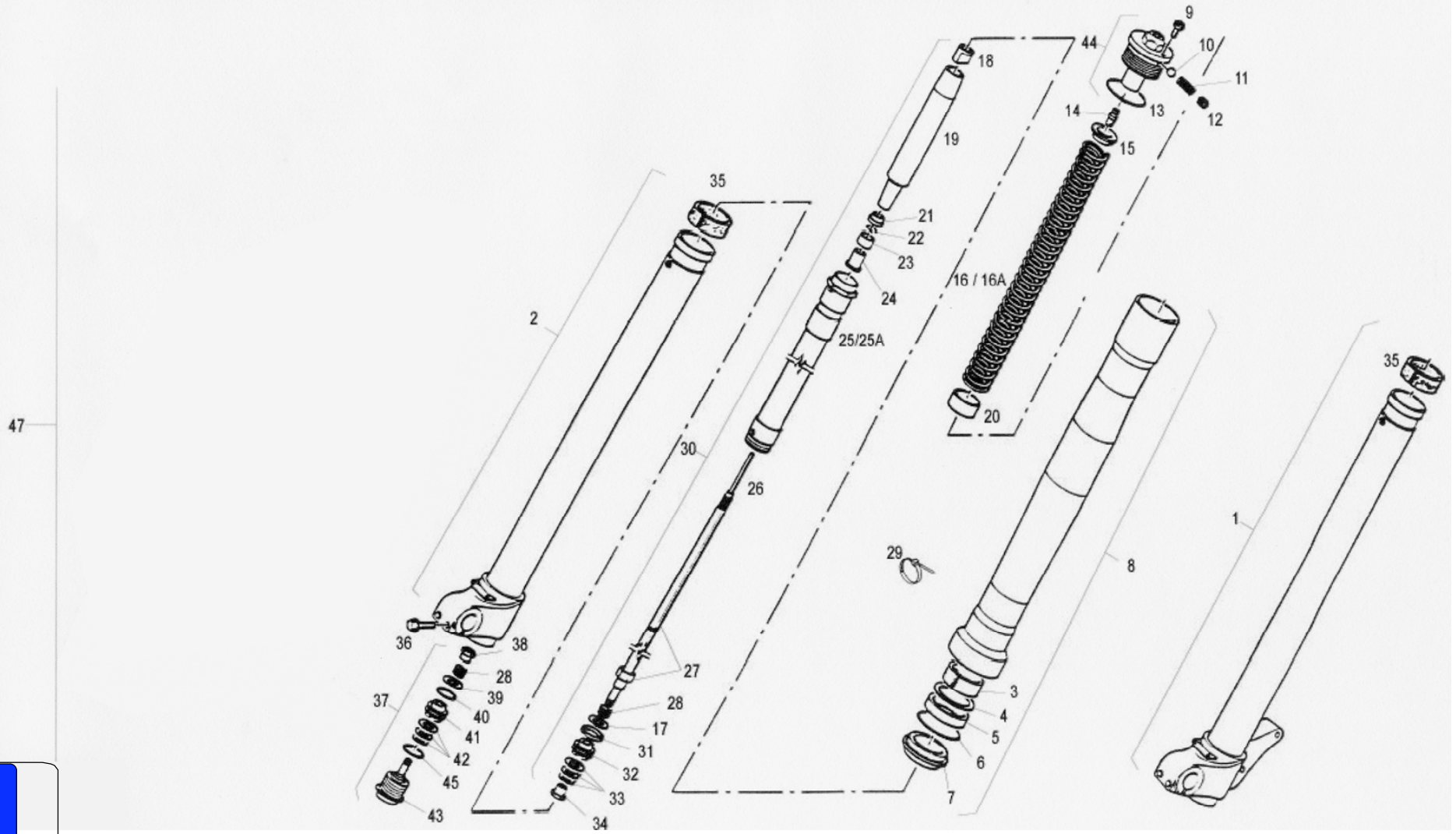
Nº	DESCRIPCION / DESCRIPTION	SM	EH	Cant.
51	BRIDA UNEX CORTA / SHORT CLAMP		BE25634010	3
52	ULS 6X20 CON ARANDELA PLATA / 6X20 ULS WITH WASHER		T0556020	2
53	LLANTA / RIM	BEH59000SM4509	BEH590001209	1
54	ARANDELA 8X16X1 / 8X16X1 WASHER		T4008018	3
55	CTO. FRENO TRASERO / REAR BRAKE SET		BEH65000CT1209	1
60	RACORD SUJ. LATIGUILLO 10X1 / HOSE HOLDER RACORD 10X1		R320000	1
9	CASQUILLO SEPARADOR / SEPARATOR CAP		BEH562001209	1
10	BUJE RUEDA / REAR HUB		BEH591001209	1



Nº	DESCRIPCION / DESCRIPTION		Cant.
1	BASE HORQUILLA IZQUIERDA / LEFT FORK BASE	BE250414143	1
2	BASE HORQUILLA DERECHA / RIGHT FORK BASE	BE250414142	1
3	GLACIER BOTELLA 538103 50x45x15 / OUTER TUBE BUSHING	BE250314131	2
4	ANILLO DE CIERRE / RETAINING CUP	BE250114133	2
5	RETÉN SUSPENSIÓN 45X58X11 / OIL SEAL	C240701	2
6	ANILLO DE CIERRE / STOP RING	BE25714132	2
7	GUARDAPOLVO / DUST SEAL	BE25714131	2
8	CTO. BARRA SUSPENSIÓN / OUTER TUBE UNIT	BE250514110	2
9	TORNILLO Y JUNTA TÓRICA / SCREW+ O'RING	BE25714103	2
10	TÓRICA TAPÓN REGULACIÓN / SET SCREW	BE250114225	2
11	MUELLE TAPÓN REGULACIÓN / REBOUND SPRING	BE250114226	2
12	TORNILLO PEQUEÑO TAPÓN REGULACIÓN / SCREW	BE250114227	2
13	TÓRICA TAPÓN REGULACIÓN / REGULATION CAP O'RING	BE250114104	2
14	CASQUILLO REGULACIÓN / PIN + O'RING	BE250114112	2
15	CASQUILLO GUIA MUELLE / SPRING GUIDE BUSHING CUP	BE250114107	2
16	MUELLE K=4.2 / SPRING K=4.2	BE250114268	2
16A	KIT MUELLE Y CASQUILLO K:4.0 / SPRINGS K=4.0 + SLEEVES	BE250114228	2
17	ARANDELA 22X8.1X0.3 / SHIM 22X8.1X0.3	BE250514235	2
18	TUERCA BLOQUEADOR M12X25 / LOCK NUT	BE250114242	2
19	TUBO GUIA MUELLE / SPRING GUIDE	BE250514229	2
20	TOPE PRECARGA / PRELOAD SLEEVE	BE120514109	2
21	TOPE DE FONDO / NUT	BE250114230	2
22	ANILLO RETENCIÓN / STOP RING	BE250114231	2
23	TOPE FONDO HUG D45 / FOOT NUT	BE250514232	2
24	TOPE FONDO USD D45 / FOOT NUT CUP	BE250114233	2
25	CARTUCHO AMORTIGUADOR / CARTRIDGE BODY	BE250514114	2
25A	CARTUCHO AMORTIGUADOR / CARTRIDGE BODY	-	2
26	VARILLA INTERNA / INNER ROD	BE250114234	2
27	CTO. VARILLA / DAMPING SHAFT UNIT	BE250514116	2
28	MUELLE / REBOUND SPRING	BE250114118	4
29	BRIDA UNEX 2244 16/02 4.8X30 / UNEX CLAMP 2244 16/02 4.8X30	BE25634007	2

GAS GAS

Chasis 13

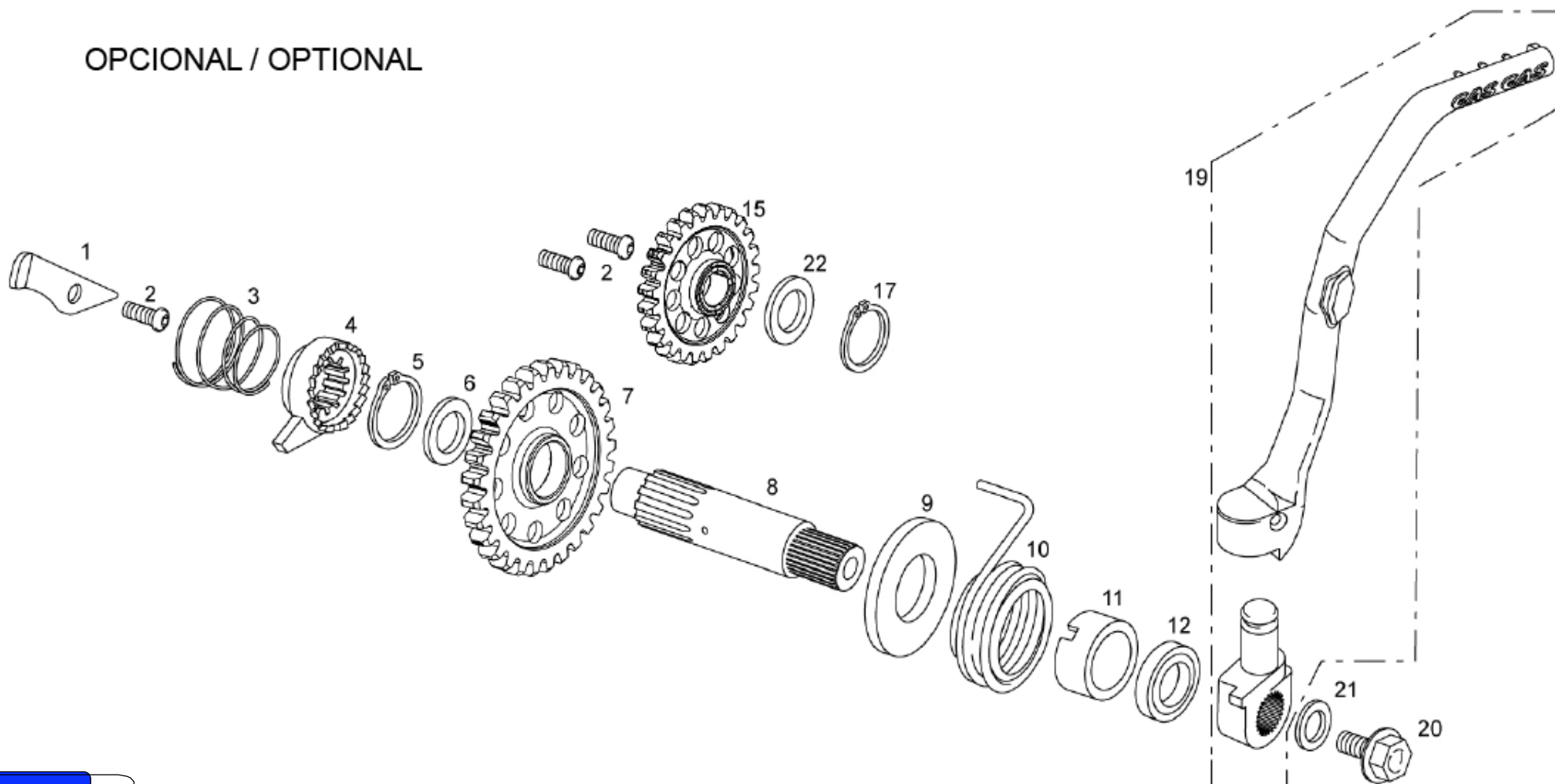


Nº	DESCRIPCION / DESCRIPTION		Cant.
31	SEGMEN TO PISTÓN / PISTON RING	BE250114120	2
32	PISTÓN SUSPENSIÓN / REBOUND PISTON	BE250514119	2
33	ARANDELA SUSPENSIÓN 15X8.1X0.1 / SHIM 15X8.1X0.1	BE250114238	3
33A	ARANDELA SUSPENSIÓN 19X8.1X0.1 / SHIM 19X8.1X0.1	BE250114239	2
33B	ARANDELA SUSPENSIÓN 17X8.1X0.1 / COMPRESSION DAMPING WASHER	BE250114240	2
33C	ARANDELA SUSPENSIÓN 21X8.1X0.1 / REED VALVE	BE250114241	4
34	VÁLVULA BASE / NUT	BE250114126	2
35	CASQUILLO INTERIOR BOTELLA / LOWER BUSH	BE250114128	2
36	TORNILLO 6X30 DIN 6921 8.8 / SCREW 6X30	BE250114144	4
37	GRUPO AMORTIGUADOR / VALVE UNIT	BE250514124	2
38	TORNILLO BL. VÁLVULA / VALVE SCREW	BE250514244	2
39	JUNTA 22X8.1X0.3 C72 BLU / SHIM 22X8.1X0.3	BE250514235	2
40	TÓRICA 2087 D21.95 S1.78 / O RING 2087	BE250114246	2
41	PISTÓN D.26 SINTER. / COMPRESSION PISTON	BE250514247	2
42	JUNTA 15X8.1X0.2 / COMPRESSION DAMPING WASHER	BE250114248-1 (19X8.1X0.1)	3
42A	JUNTA 19X8.1X0.1 / SHIM 19X8.1X0.1	BE250114248-3 (17X8.1X0.1)	2
42B	JUNTA 17X8.1X0.1 / COMPRESSION DAMPING WASHER	BE250514248-5 (11X8.1X0.1)	2
42C	JUNTA 16X8.1X0.2 / SHIM 16X8.1X0.2	BE250514248-6 (13X8.1X0.2)	2
42D	JUNTA 11X8.1X0.1 / SHIM 11X8.1X0.1	BE250514248-7 (14X8.1X0.2)	2
42E	JUNTA 13X8.1X0.2 / SHIM 13X8.1X0.2	BE120514248 (15X8.1X0.15)	2
42F	JUNTA 14X8.1X0.2 / SHIM 14X8.1X0.2	BE120514248-1 (16X8.1X0.15)	2
43	VÁLVULA DE AJUSTE / ADJUSTING VALVE	BE250514249	2
44	CTO. TAPÓN REGULACIÓN / PLUG UNIT	BE250514105	2
45	TÓRICA 2100 D25.1 S1.78 / O'RING 2100	BE250114250	2
47	CTO. SUSPENSIÓN DELANTERA MARZOCCHI / MARZOCCHI FRONT SUSP.	BE20000MZ1208	1

Conjunto pedal arranque /
Kickstart set

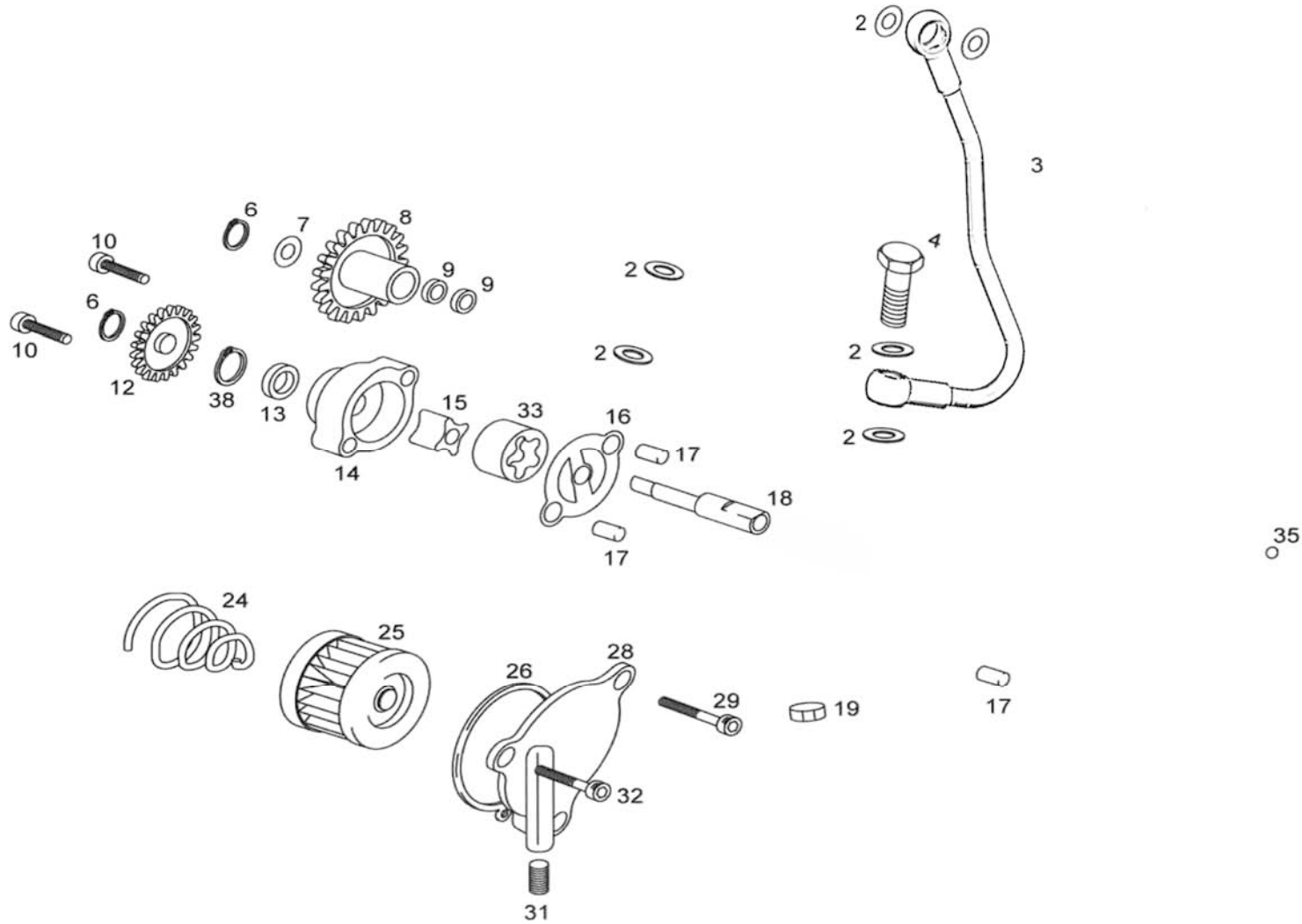
GAS GAS

OPCIONAL / OPTIONAL

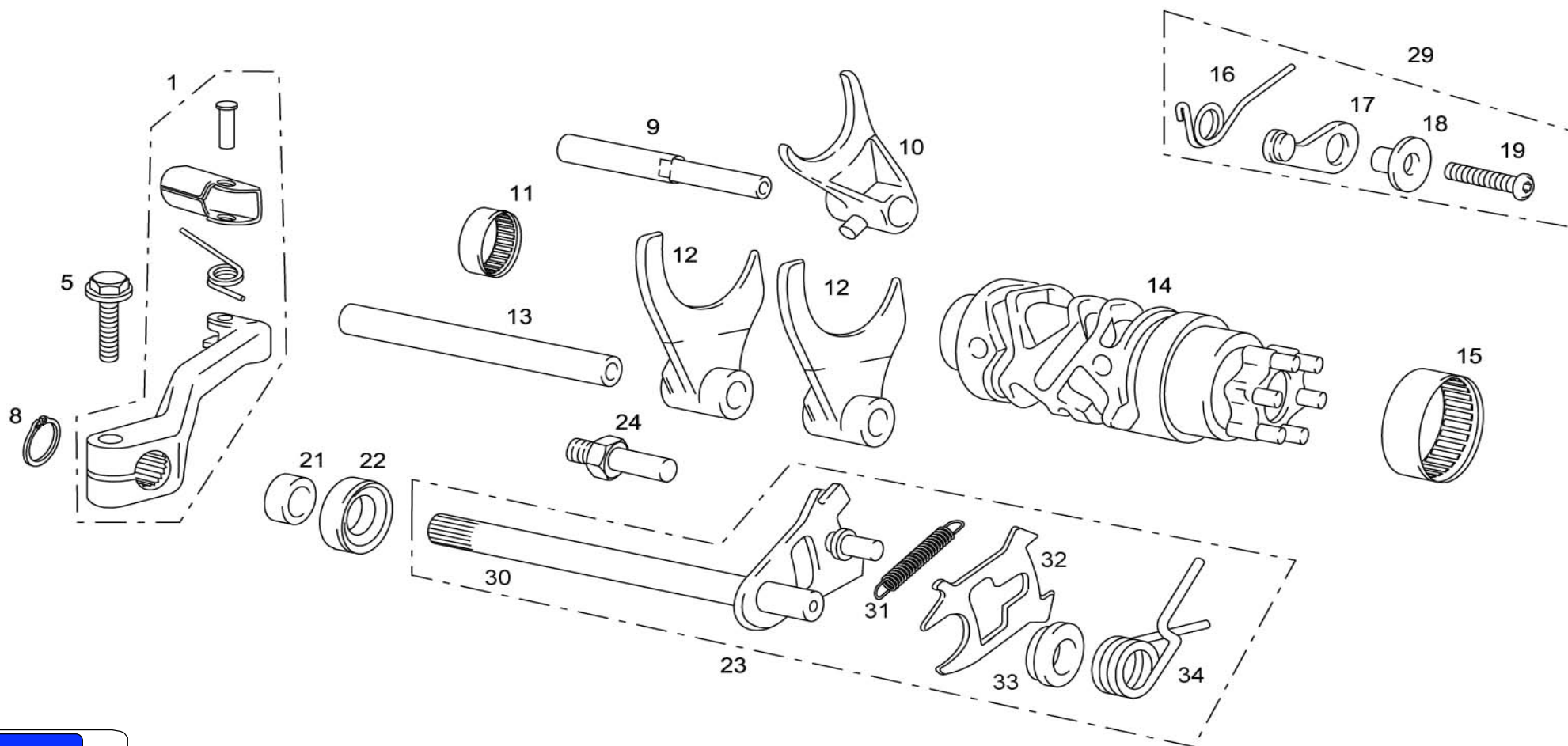


Nº	DESCRIPCION / DESCRIPTION		Cant.
1	PLATINA TRINQUETE ARRANQUE / KICKSTARTER GUIDE	MFS400136005	1
2	ULS 6X12 / 6X12 ULS	T0506012	3
3	MUELLE TRINQUETE ARRANQUE / KICKSTARTER SPRING	ME25636006	1
4	TRINQUETE ARRANQUE / KICKSTARTER	ME120126004	1
5	SEEGER DE 20 ARRANQUE / CIRCLIP	ME25636052	1
6	ARANDELA TOPE 20,2X27X1 / END WASHER 20,2X27X1	ME25636000	1
7	PIÑÓN ARRANQUE / KICKDRIVE GEAR	ME250126002	1
8	EJE ARRANQUE / KICKSTARTER SHAFT	ME250126003	1
9	ARANDELA ARRANQUE 20X40X1 / KICKSTARTER WASHER 20X40X1	ME25636051	1
10	MUELLE ARRANQUE / KICKSTARTER SPRING	ME25636007	1
11	CASQUILLO CENTRADOR MUELLE ARRANQUE / KICKSTARTER SPRING BUSHING	ME250136053	1
12	RETÉN PEDAL ARRANQUE 20X30X7 / KICKSTARTER OIL SEAL 20X30X7	ME25632021	1
15	PIÑÓN INTERMEDIO ARRANQUE / KICKSTART INTERMEDIATE PINION	MFS450526001	1
17	SEEGER EJE 15 EMBRAGUE / CLUTCH AXLE SEEGER 15	ME25632017	1
19	CTO. PEDAL ARRANQUE ALUM. MUÑ. D.18 / KICKSTARTER LEVER SET	MFS450526060	1
20	TORNILLO PEDAL ARRANQUE / KICK STARTER SCREW	BE250036062	1
21	TÓRICA PEDAL ARRANQUE / KICK STARTER O´RING	ME250036063	1
22	VOLANDERA PIÑÓN ARRANQUE 24 x 15.15 x 0.8 / KICKSTARTER PINION WASHER 24 x 15.15 x 0.8	ME25636012	1

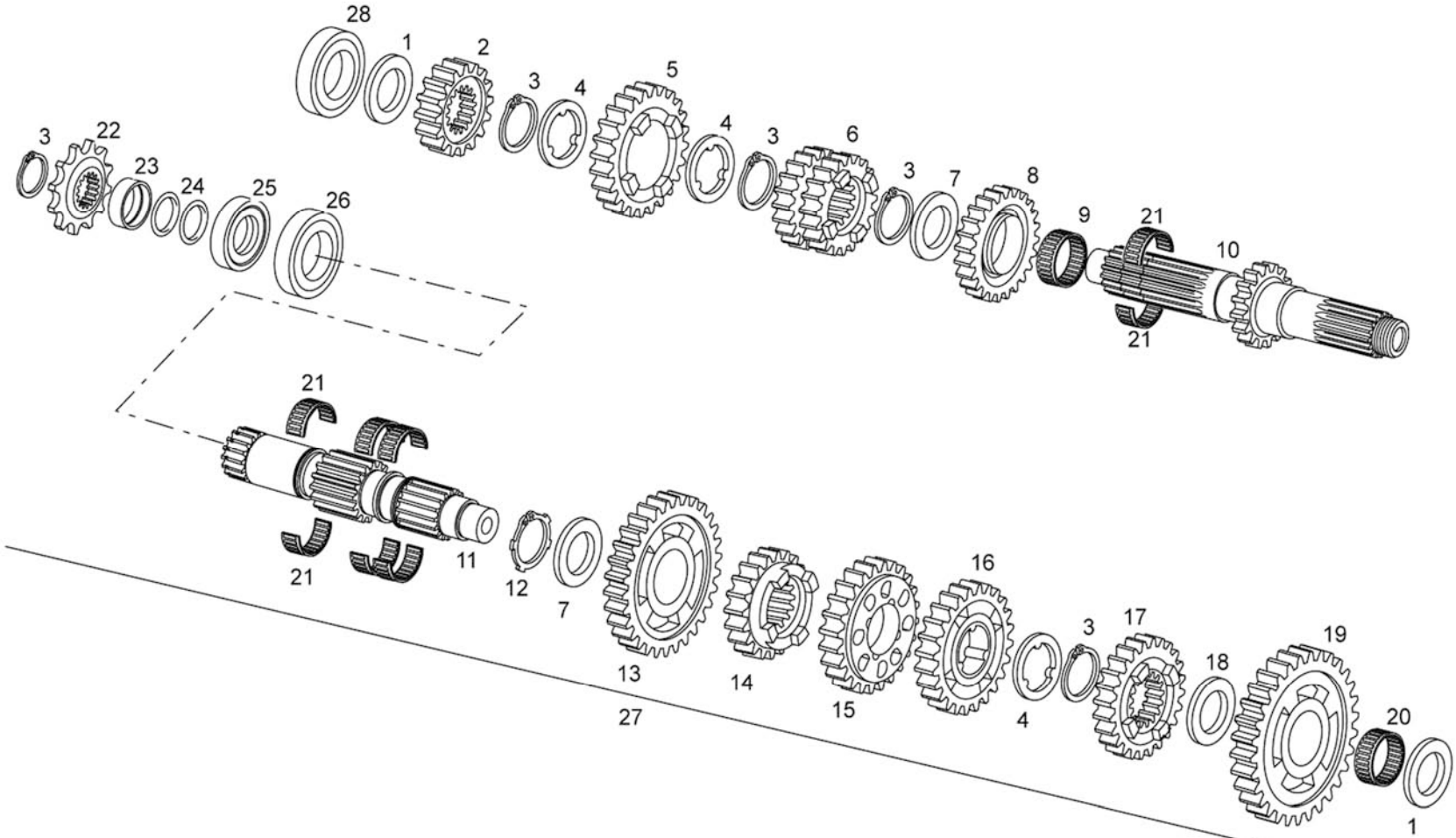
GAS GAS *Motor 1*



Nº	DESCRIPCION / DESCRIPTION		Cant.
2	ARANDELA COBRE 8X12X1,5 / 8X12X1,5 WASHER	T4008112	4
3	DISTRIBUIDOR ACEITE / OIL SUPPLY	MFS450710856	1
4	RACOR CIRCUITO ACEITE 10X26 / 10X26 OIL RACORD	MFS450522570/175	1
6	SEEGER D.8 EJE BOMBA ACEITE / OIL AXIS SEEGER	MFS400122305	2
7	ARANDELA REGLAJE 8,1X17X0,2 / 8,1X17X0,2 WASHER	ST950705	1
8	PIÑÓN INTERMEDIO BOMBA DE ACEITE / OIL PUMP INTERMEDIATE SPROCKET	MFS400122450	1
9	COJINETE HK 0808 / HK 0808 BEARING	MFS400126535/2	2
10	TORNILLO 6X35 / 6X35 SCREW	T0306035	2
12	PIÑÓN BOMBA ACEITE / OIL PUMP PINION	MFS400122400	1
13	COJINETE 508Z / 508Z BEARING	ME25616032	1
14	CUERPO BOMBA ACEITE PRESIÓN / OIL PUMP BODY	MFS400122230	1
15	ROTOR BOMBA ACEITE / OIL PUMP ROTOR	MFS400122105	1
16	JUNTA BOMBA ACEITE / OIL PUMP GASKET	MFS400122410	1
17	CASQUILLO CENTRADOR / CENTRER BUSHING	MFS400116066	4
18	EJE BOMBA ACEITE / OIL PUMP AXLE	MFS450622300	1
19	ABRAZADERA COBRA 21 / 21 CLAMP	L200046	1
24	MUELLE APRETADOR FILTRO ACEITE / OIL FILTER SPRING	MFS400122560	1
25	CONJ. CAMPANA ASPIRACIÓN FSE 450 2007 / FSE 450 2007 ASPIRATION SET	MFS450622565CT	1
26	TÓRICA TAPA FILTRO ACEITE / OIL FILTER COVER O'RING	MFS450522555	1
28	TAPA FILTRO ACEITE / AIR FILTER COVER	MFS450522551	1
29	TORN. ESPECIAL 6X50 / SPECIAL SCREW 6X50	T0206050	1
31	TORNILLO ESPECIAL M8 / SPECIAL SCREW M8	T0208103	1
32	TORN. ESPECIAL 6X55 / SPECIAL SCREW 6X55	T0206055	1
33	ANILLO BOMBA EATON PRESIÓN / EATON PRESSURE PUMP RING	MFS400122110	1
35	TÓRICA CENTRÍFUGO 6X2 / 6X2 O'RING	ME25616045	1
38	SEEGER RODAMIENTO / BEARING SEEGER	MFS450422240	1



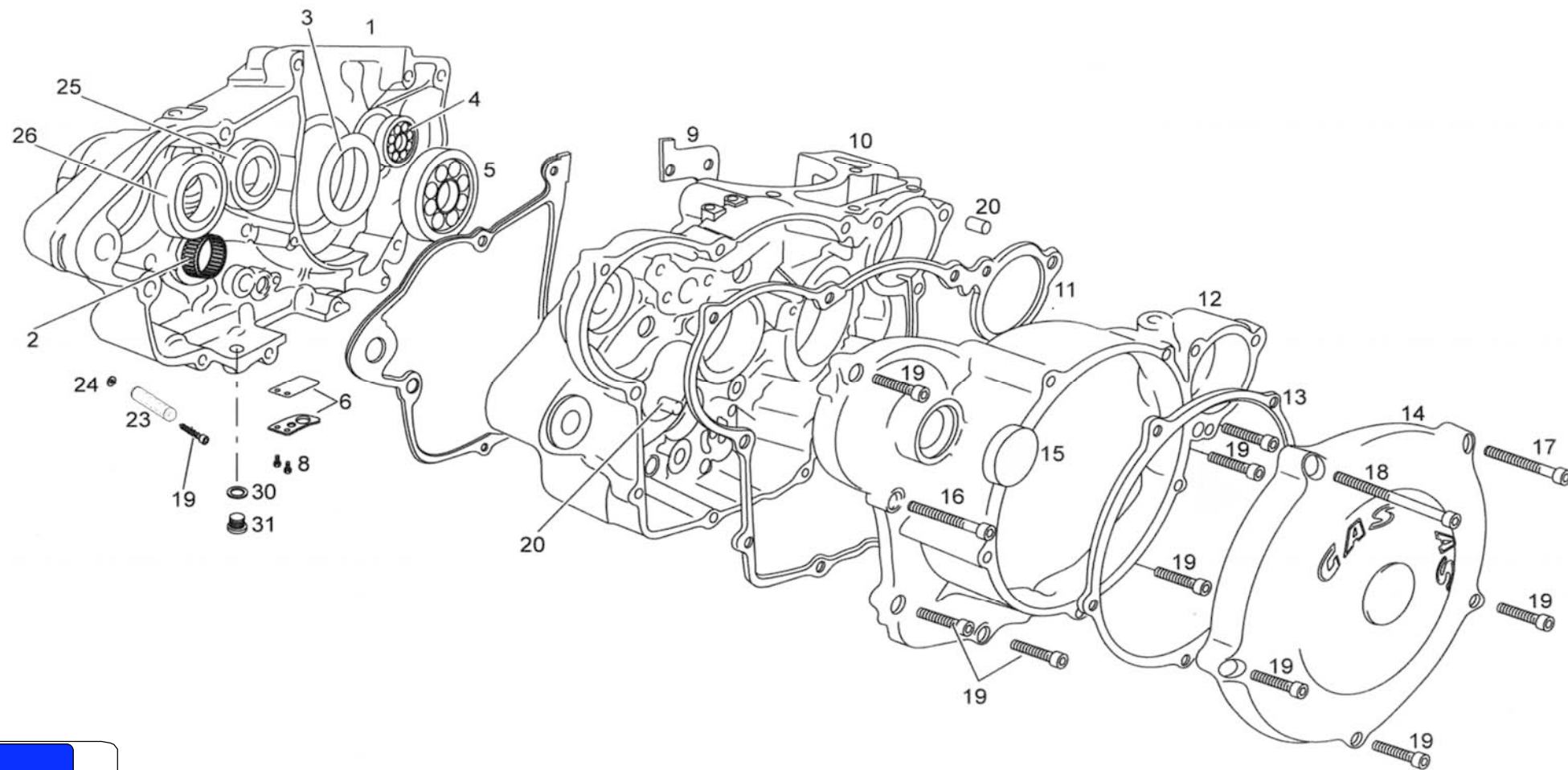
Nº	DESCRIPCION / DESCRIPTION		Cant.
1	CTO. PEDAL CAMBIO / GEAR LEVER SET	ME250036026R	1
5	HEXAGONAL 6X20 / HEXAGONAL SCREW 6X20	T0106025	1
8	SEEGER 12X1 EXTERIOR EJE SELECTOR / SEEGER 12X1	ME25636043	1
9	EJE HORQUILLA 5-6 / 5-6 FORK AXIS	MFS400136045	1
10	HORQUILLA 5-6 / SHIFT FORK 5-6	ME25636009	1
11	RODAMIENTO HK2512 DESMODRÓMICO / SHIFT CAM BEARING	ME25636055	1
12	HORQUILLA 1-2-3-4 / SHIFT FORK 1-2-3-4	ME25636008	1
13	EJE HORQUILLA 1-2-3-4 / 1-2-3-4 FORK AXIS	ME25636044	2
14	DESMODRÓMICO / SHIFT CAM	MFS450536031	1
15	RODAMIENTO HK3512 DESMODRÓMICO / SHIFT CAM BEARING	ME25636054	1
16	MUELLE FIJADOR MARCHAS / GEAR FASTEN SPRING	MFS400136034	1
17	FIJADOR MARCHAS / GEAR FASTEN	MFS400136033	1
18	CASQUILLO PLATINA FIJADOR MARCHAS / GEAR BUSHING	MFS400136047	1
19	ULS 6X16 / 6X16 ULS	T0506016	1
21	RETÉN SELECTOR 12-22-7 / SEAL 12-22-7	ME25636048	1
22	CASQUILLO EJE SELECTOR / AXIS BUSHING	ME250136050	1
23	EJE SELECTOR COMPLETO FSE 450 / FSE 450 COMPLET SELECTOR AXIS	MFS450436038CT	1
24	TORNILLO CENTRADOR MUELLE SELECTOR / SELECTOR SPRING SCREW	ME25636042	1
29	CTO. FIJADOR MARCHAS / GEAR FASTEN SET	MFS400136033CT	1
30	EJE SELECTOR / SELECTOR AXIS	ME250236038	1
31	MUELLE ESCORPIÓN / SCORPION SPRING	ME25636039	1
32	ESCORPIÓN / SCORPION	ME250236036	1
33	CASQUILLO CENTRADOR / CENTRER BUSHING	ME250236041	1
34	MUELLE SELECTOR / SELECTOR SPRING	ME25636035	1



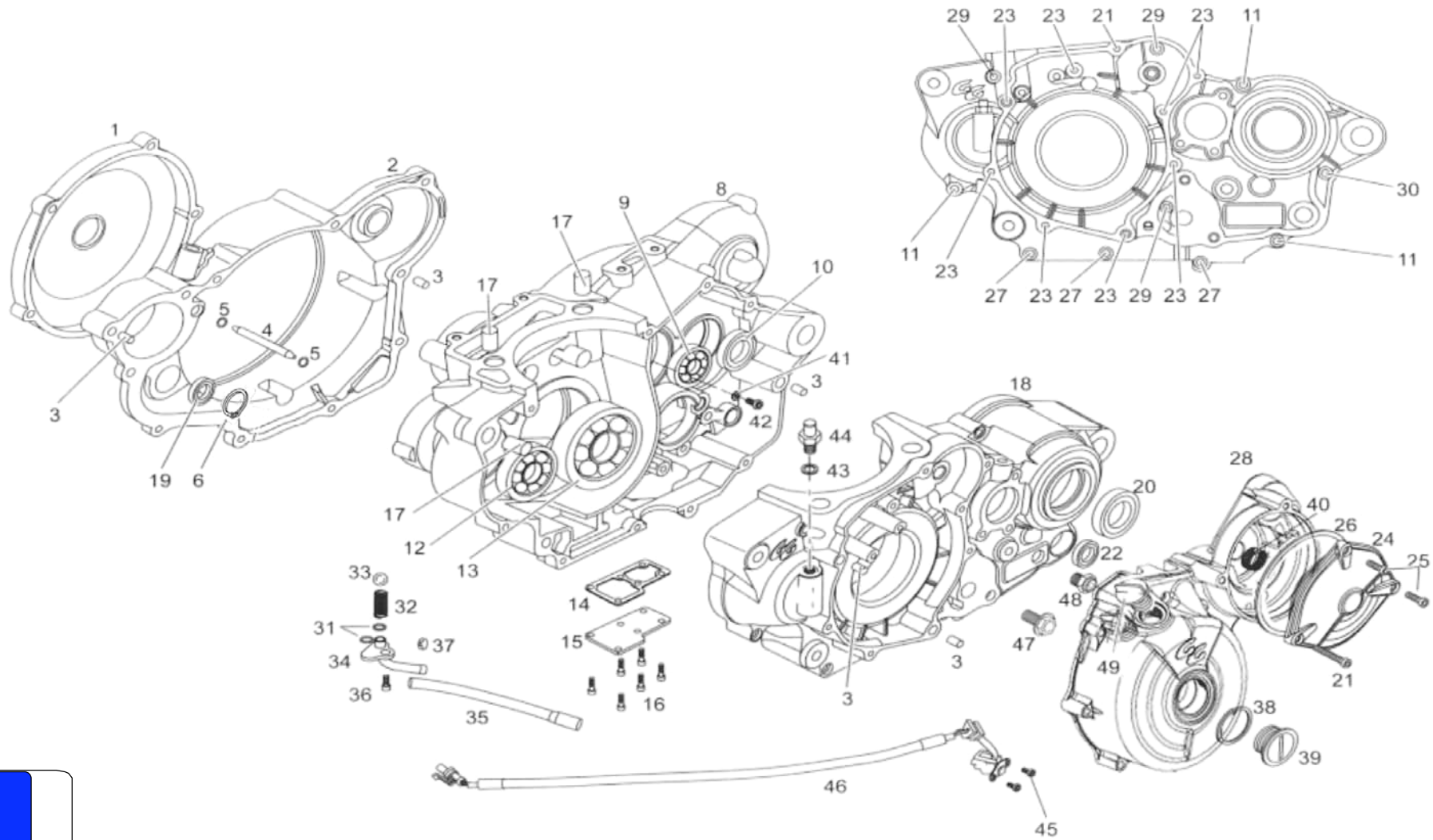
Nº	DESCRIPCION / DESCRIPTION		Cant.
1	ARANDELA 18x40x0,6 / 18X40X0,6 WASHER	T4001840	2
2	PIÑÓN PRIMARIO II / PRIMARY II PINION	ME25636071	1
3	CIRCLIP D.25 DIN 471 REBAJADO / DIN 471 CIRCLIP	ME25636084	5
4	ARANDELA 31,5x(25x22)x1 ESTRIADA / 31,5x(25x22)x1 GROOVING WASHER	ME25636091	3
5	PIÑÓN PRIMARIO VI / PRIMARY VI PINION	ME25636074	1
6	PIÑÓN PRIMARIO III Y IV / PRIMARY III AND IV PINION	ME25636072	1
7	ARANDELA 25,2x31,5x1 CAMBIO / 25,2x31,5x1 GEAR WASHER	ME25636017	2
8	PIÑÓN PRIMARIO V / PRIMARY V PINION	ME25636073	1
9	COJINETE AGUJAS K25-29-10 / K25-29-10 NEEDLES BEARING	M02616000	1
10	EJE PRIMARIO / PRIMARY AXIS	MFS450336070	1
11	EJE SECUNDARIO / SECONDARY AXIS	MFS450336075	1
12	CIRCLIP D.25 DIN 983 / DIN 983 CIRCLIP	ME25636095	1
13	PIÑÓN SECUNDARIO II / SECONDARY II PINION	ME25636077	1
14	PIÑÓN SECUNDARIO VI / SECONDARY VI PINION	ME250136081	1
15	PIÑÓN SECUNDARIO III / SECONDARY III PINION	ME25636078	1
16	PIÑÓN SECUNDARIO IV / SECONDARY IV PINION	ME25636079	1
17	PIÑÓN SECUNDARIO V / SECONDARY V PINION	ME25636080	1
18	ARANDELA 20,8x29x1 CAMBIO / 20,8x29x1 GEAR WASHER	ME25636016	1
19	PIÑÓN SECUNDARIO I / SECONDARY I PINION	ME25636076	1
20	RODAMIENTO AGUJAS K20x24x10 / K20x24x10 NEEDLES BEARING	ME25636059	1
21	RODAMIENTO AGUJAS K25x22x9,8 / K25x22x9,8 NEEDLES BEARING	ME250236102	8
22	PIÑÓN SALIDA Z. 13 / Z13 EXIT PINION	ME25636025	1
23	DOLLA RETÉN SALIDA CAMBIO / GEAR EXIT SEAL	ME25636046	1
24	TÓRICA 25x2 NBR PIÑÓN SALIDA / EXIT PINION SEAL	ME25632025	2
25	RETÉN 25X40X7 / 25X40X7 SEAL	M01217001A	1
26	RODAMIENTO CAMBIO 6205 C3 / GEAR 6205 C3 BEARING	ME25636056	1
27	GRUPO CAMBIO COMPLETO / GEAR SET	MFS450636010	1
28	COJINETE 6305 2Z C3 CAMBIO / GEAR 6305 2RSH BEARING	MFS400136167	1

GAS GAS

Motor 4



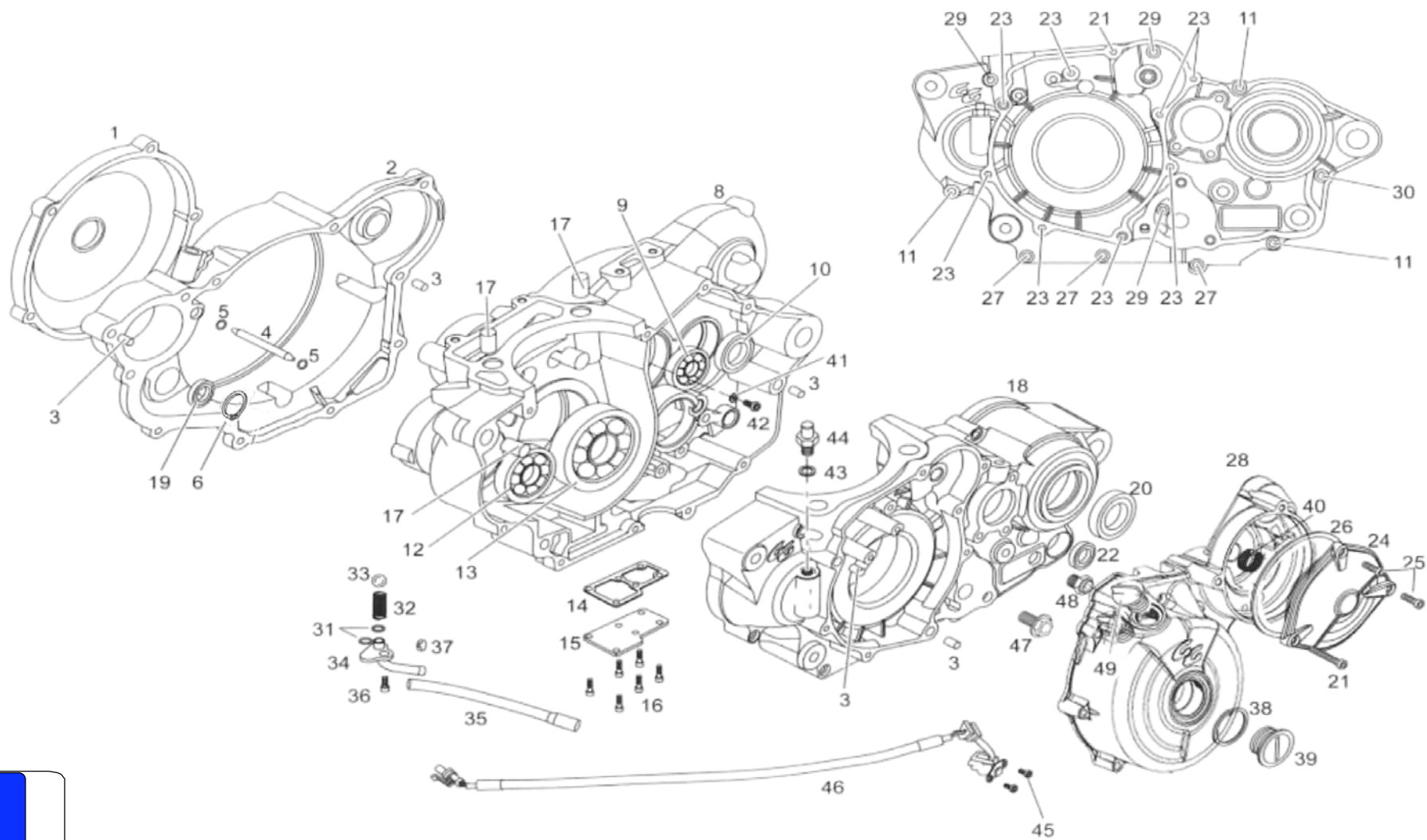
Nº	DESCRIPCION / DESCRIPTION		Cant.
1	CÁRTER IZQUIERDO / LEFT CARTER	MQ450710001	1
2	RODAMIENTO HK2512 / HK2512 BEARING	ME25636055	1
3	ARANDELA OBTURACIÓN / WASHER	MFS400112027	1
4	RODAMIENTO 6303 C3 / 6303 C3 BEARING	MFS400112030	1
5	COJINETE / BEARING	ME250112013	1
6	CTO. LÁMINAS OBTURACIÓN PASO ACEITE / OIL OBTURATION REED KIT	MFS400110120	1
8	PHILIPS TORNILLO 3X5 / 3X5 SCREW PHILIPS	T0703005	2
9	JUNTA CÁRTER CENTRAL / CENTRAL CRANKCASE GASKET	MQ450544001	1
10	CÁRTER DERECHO / RIGHT CRANKCASE	MQ450710000	1
11	JUNTA TAPA EMBRAGUE / CLUTCH COVER GASKET	MQ450544002	1
12	TAPA EMBRAGUE / CLUTCH COVER	MFS450732001	1
13	JUNTA TAPA DISCOS EMBRAGUE / DISCS COVER GASKET	ME25644003	1
14	TAPA DISCOS EMBRAGUE / DISCS CLUTCH COVER	MFS450732002	1
15	TAPON PALANCA ARRANQUE / STOOPER LEVER BOOT	MQ450726160	1
16	ALLEN 6X30 / 6X30 SCREW	T0306030	1
17	ALLEN 6X60 / 6X60 SCREW	T0306060	1
18	ALLEN 6X80 / 6X80 SCREW	T0306080	1
19	ALLEN 6X25 / 6X25 CREW	T0306025	8
20	CASQUILLO CENTRADOR CÁRTER / CRANKCASE BUSHING	ME25610018	2
23	CAMPANA ASPIRACIÓN ACEITE / OIL ASPIRATE	MFS4506565CT	1
24	TÓRICA 11,2X15X1,4 / 11,X15X1,4 O'RING	MFS400110026	1
25	COJINETE 6203 2Z C3 / 6203 2Z C3 BEARING	MFS400136168	1
26	COJINETE 6305 C3 2RSH / 6305 C3 2RSH BEARING	ME25636056	1
30	ARANDELA COBRE 12X18X1,5 / 12X18X1,5 WASHER	ME25810030	1
31	TAPÓN VACIADO ACEITE CON IMÁN / OIL DRAIN CAP WITH MAGNE	ME25610017	1



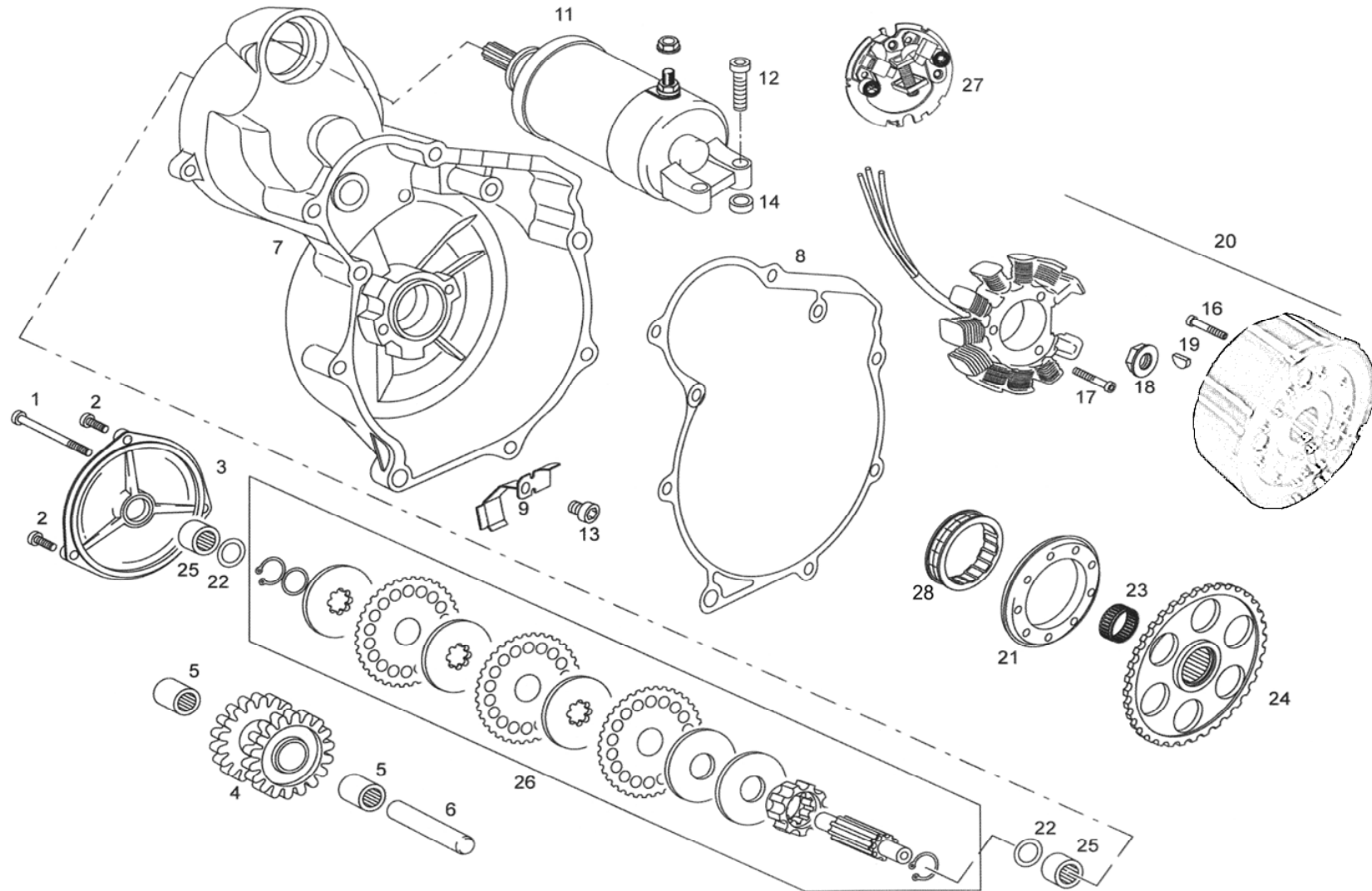
Nº	DESCRIPCION / DESCRIPTION		Cant.
1	TAPA DISCOS EMBRAGUE / CLUTCH DISCS COVER	MFS450732002	1
2	TAPA EMBRAGUE EC400 4T / CLUTCH COVER	MFS450632001	1
3	CASQUILLO CENTRADOR CÁRTER / CRANKCASE BUSHING	ME25610018	5
4	CONDUCTO ACEITE D.3X8 PISTÓN / OIL PISTON PIPE	MFS450610023	1
5	TÓRICA 9X2 / 9X2 O'RING	MFS400110025	2
6	SEEGER DIAM 25 /SEEGER DIAM. 25	MFS450736084	1
8	CÁRTER DERECHO / RIGHT CRANKCASE	MQ450710000	1
9	RODAMIENTO 6205 C3 2RSH / 6205 C3 2RSH BEARING	ME25636056	1
10	RODAMIENTO 6203 2Z C3 / 6203 2Z C3 BEARING	MFS400136168	1
11	ALLEN 6X35 / 6X35 ALLEN SCREW	T0306035	3
12	RODAMIENTO 6303 C3 SKF / 6303 C3 SKF BEARING	MFS400112030	1
13	RODAMIENTO 6306 C4 KOYO / 6306 C4 KOYO BEARING	ME25612007/2	1
14	JUNTA TAPA ACCESO INFERIOR CÁRTER / INFERIOR CRANKCASE COVER GASKET	MFS450510123	1
15	TAPA ACCESO INFERIOR CÁRTER / INFERIOR CRANKCASE COVER	MFS450610122	1
16	ALLEN 6X16 / 6X16 ALLEN SCREW	T0306016	6
17	CENTRADOR CULATA L18 EC400 4T / CYL. HEAD BUSHING	MFS400116066	3
18	CÁRTER IZQUIERDO / LEFT CRANKCASE	MQ450710001	1
19	RETÉN 24X14X7AS.P-NB / 24X14X7AS.P-NB SEAL	MFS450712008	1
20	RETÉN SALIDA CAMBIO 25X40X7 / 25X40X7 GEAR SEAL	M01217001A	1
21	ALLEN 5X75 / 5X75 ALLEN SCREW	T0305075	1
22	RETÉN EJE SELECTOR 12-22-7 AS-CC / 12-22-7 AS-CC SELECTOR AXIS SEAL	ME25636048	1
23	ALLEN 5X35 / 5X35 ALLEN SCREW	T0305035	8
24	SUB-TAPA ARRANQUE FSE 450-2005 / FSE 450-2005 STARTER COVER	MFS450510028	1
25	ALLEN 5X16 / 5X16 ALLEN SCREW	T0305016	2
26	TÓRICA 80X2 SUB-TAPA ARRANQUE FSE450-2005 / FSE450-2005 80X2 STARTER COVER	MFS450510029	1
27	ALLEN 6X45 / 6X45 ALLEN SCREW	T0306045	3
28	TAPA VOLANTE MAGNÉTICO / IGNITION COMP. COVER	MQ450710004	1
29	ALLEN 6X55 / 6X55 ALLEN SCREW	T0306055	3
30	ALLEN 6X65 / 6X65 ALLEN SCREW	T0306065	1
31	TÓRICA 1,78x7,94 TAPA ENTRADA ACEITE CÁRTER / 1,78x7,94 O'RING	MFS400122311	2
32	MUELLE RETORNO ACEITE EC400-4T / EC400-4T OIL RETURN SPRING	MFS400122315	1
33	BOLA CENTRÍFUGO EMB.DE 8 m/m. / 8 mm BALL	ME25616033	1
34	TAPA ENTRADA ACEITE CÁRTER / OIL INNER COVER	MFS400122310	1
35	TUBO VACIADOR DEPÓSITO ACEITE EC400-4T / EC400-4T OIL HOSE EMPTIER	MFS400122150	1

GAS GAS

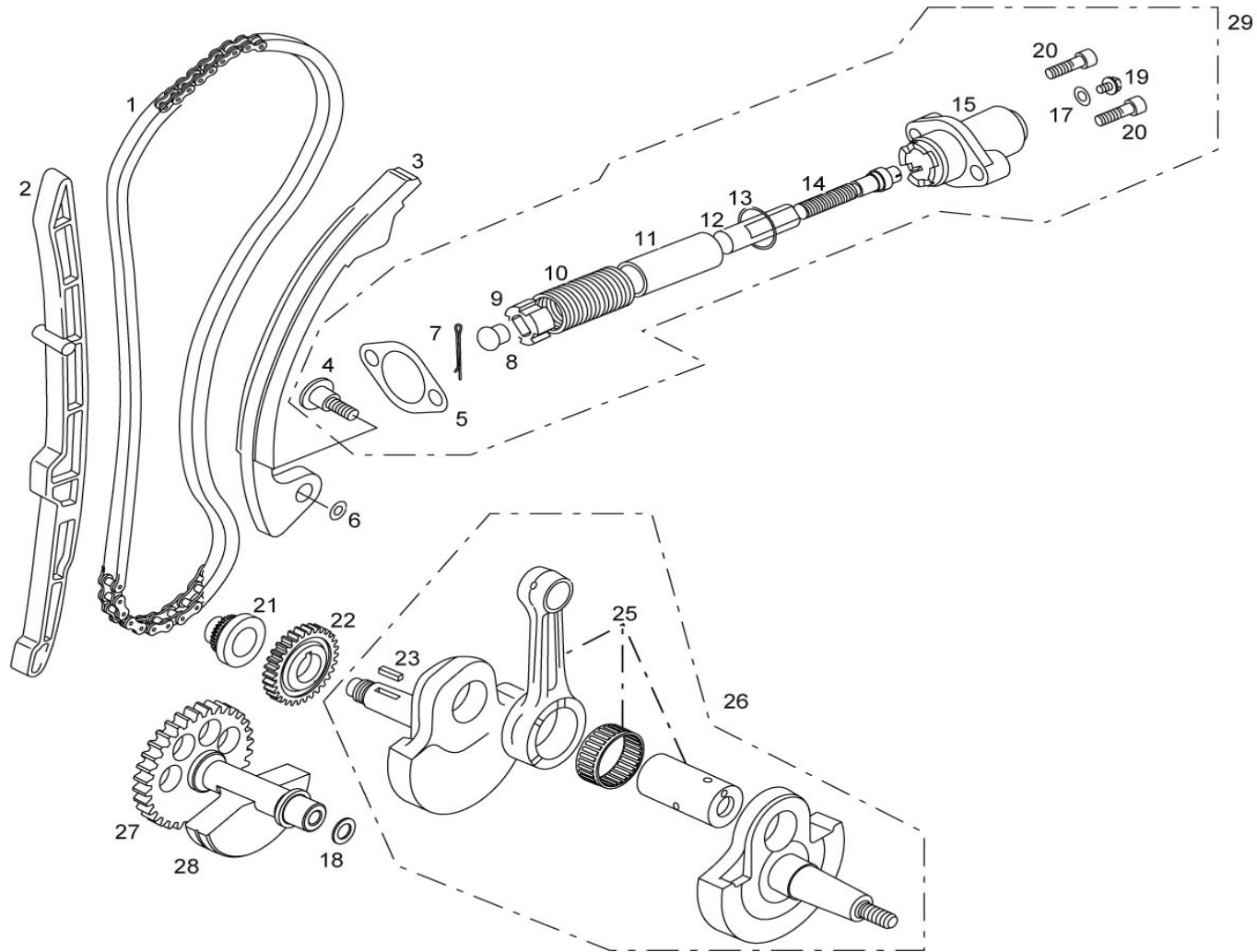
Motor 6



Nº	DESCRIPCION / DESCRIPTION		Cant.
36	ALLEN 6X12 / 6X12 ALLEN SCREW	T0306012	1
37	ABRAZADERA D.12.9-13.6 AMARILLA / 12.9-13.6 YELLOW CLAMP	BE250210047	2
38	TÓRICA 27.4x2,4 / 27.4X2,4 O'RING	MFS400126563	1
39	TAPÓN ROSCA TAPA VOLANTE MAGNÉTICO / IGNITION COVER SCREW TOP	MFS400126562	1
40	RODAMIENTO AGUJAS HK1010 EC400-4T / HK 1010 EC400-4T NEEDLES BEARING	MFS400126022	1
41	ARANDELA 7X18X2,7 / 7X18X2,7 WASHER	ST950710	1
43	ARANDELA COBRE 14X18X1,5 / 14X18X1,5 COOPER WASHER	MFS450510030	1
44	CONECTOR TUBO DESVAPORIZADOR CÁRTER / CRANKCASE STEAM HOSE CONNECTOR	BFS450528048	1
45	ALLEN 5X8 / 5X8 ALLEN SCREW	T0305008	2
46	SENSOR DE GIRO / TURN SENSOR	MFS450680005	1
47	TORNILLO CAMPANA ASPIRACIÓN / CHAIN ASPIRATION	MFS450622558	1
48	VISOR NIVEL ACEITE / OIL LEVEL VIEW FINDER	ME25610015	2
49	TAPÓN ACEITE / OIL CAP	BFS450610079	1



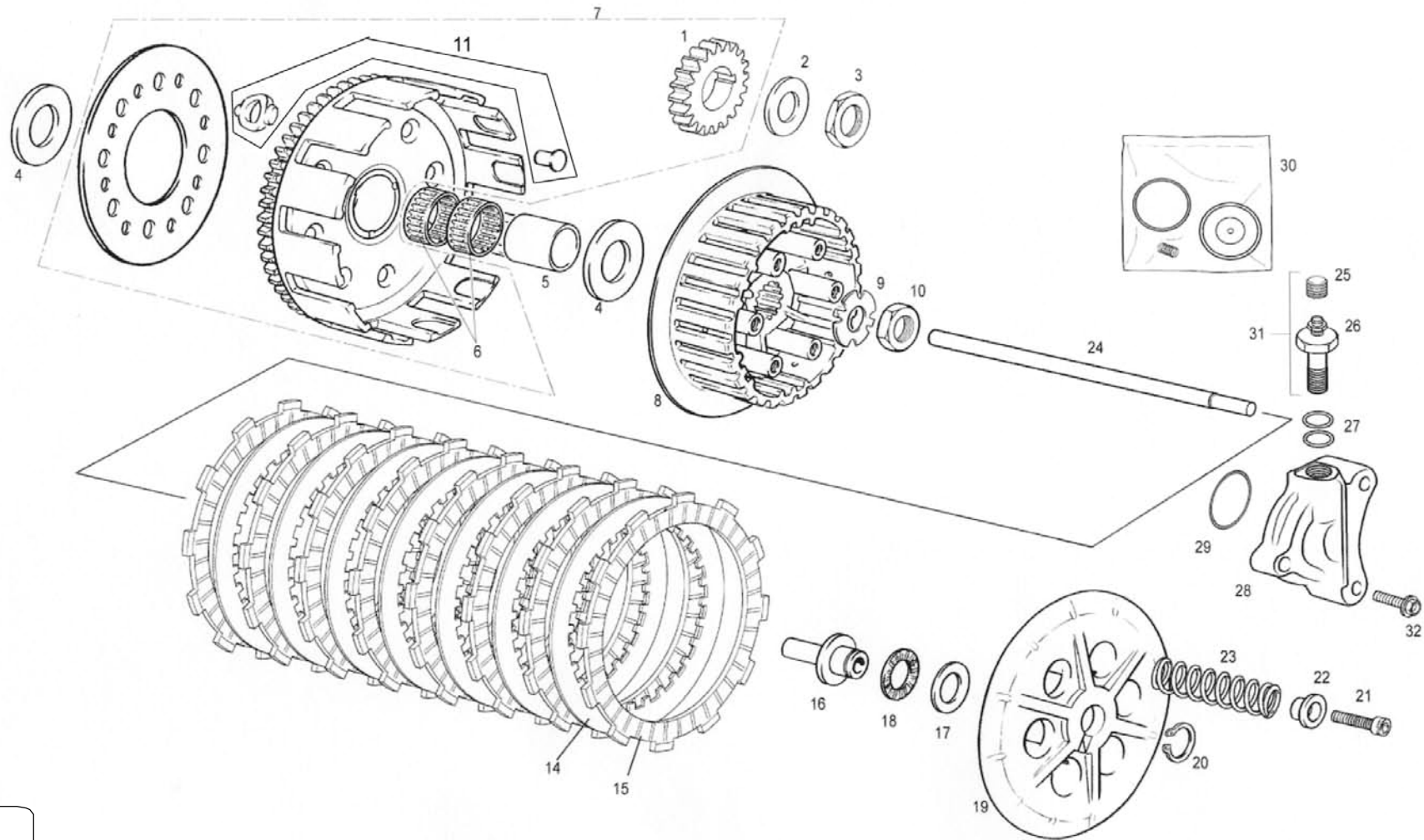
Nº	DESCRIPCION / DESCRIPTION		Cant.
1	ALLEN 5X75 / 5X75 ALLEN SCREW	T0305075	1
2	ALLEN 5X16 / 5X16 ALLEN SCREW	T0305016	2
3	SUB-TAPA ARRANQUE FSE 450-2005 / FSE 450-2005 START COVER	MFS450510028	1
4	PIÑÓN INTERMEDIO ARRANQUE ELÉCTRICO 24X21 / 24X21 ELECTRIC STARTER INTERMEDIATE SPROCKET	MFS450626520	1
5	RODAMIENTO AGUJAS HK1012 / HK1012 NEEDLES BEARING	MFS400326023	2
6	EJE PIÑÓN ARRANQUE INTERMEDIO / INTERMEDIATE STARTER SPROCKET AXIS	MFS450626505	1
7	TAPA VOLANTE MAGNÉTICO / IGNITION COVER	MQ450710004	1
8	JUNTA TAPA VOLANTE FSE450-2005 / FSE450-2005 IGNITION COVER GASKET	MFS450544004	1
9	PLETINA SOPORTE CABLES MOTOR ENCENDIDO FSE 2005 / FSE 2005 IGNITION CABLING HOLDER	MFS450534019	1
11	MOTOR DE ARRANQUE FSE 450-2005 / FSE 450-2005 START ENGINE	MFS450526500	1
12	ALLEN 6X25 / 6X25 ALLEN SCREW	T0305025	2
13	ALLEN 5X6 / 5X6 ALLEN SCREW	T0305006	1
14	CASQUILLO DISTANCIADOR ARRANQUE / STARTER SPACER BUSHING	R233000	2
16	ALLEN 6X16 / 6X16 ALLEN SCREW	T0306016	9
17	ALLEN 5X25 / 5X25 ALLEN SCREW	T0305025	2
18	TUERCA VOLANTE / IGNITION NUT	MFS400134011	1
19	CHAVETA VOLANTE / IGNITION PIN	MFS400134016	1
20	VOLANTE MAGNÉTICO / IGNITION MOBILE	EFS700004508	1
21	ANILLO RUEDA LIBRE ENCENDIDO / IGNITION FREE WHEEL RING	MFS851004508	1
22	ARANDELA 10X19X0,5 / 10X19X0,5 WASHER	MFS450526516	2
23	RODAMIENTO DE AGUJAS ARRANQUE / STARTER NEEDLE BEARING	MFS400126020	1
24	CORONA DE ARRANQUE / STARTER SPROCKET	MFS450626540	1
25	RODAMIENTO AGUJAS HK 1010 EC400-4T / HK 1010 EC400-4T NEEDLES BEARING	MFS400126022	2
26	CTO. PIÑÓN ARRANQUE EMBRAGUE / CLUTCH STARTER SPROCKET SET	MFS450526510CT	1
27	ESCOBILLAS MOTOR ARRANQUE / STARTER ENGINE BRUSHES	MFS400326501	1
28	BORG WARNER	MFS851204508	1



Nº	DESCRIPCION / DESCRIPTION		Cant.
1	CADENA DISTRIBUCIÓN / CAM SHAFT DRIVE CHAIN	MFS400116360	1
2	GUÍA CADENA DISTRIBUCIÓN DELANTERA / CAM CHAIN GUIDE	MFS450616364	1
3	GUÍA CADENA DISTRIBUCIÓN TRASERA / CAM CHAIN TENSIONER	MFS400116363	1
4	TORNILLO FIJACIÓN PATILLA GUÍA CADENA DISTRIBUCIÓN / CHAIN GUIDE SCREW	MFS400116365	1
5	JUNTA TENSOR DISTRIBUCIÓN FSE 4T / CHAIN TENSOR GASKET	MFS400144025	1
6	ARANDELA 6,25X21X1 / 6,25X21X1 WASHER	MFS450410107	1
7	PASADOR ELÁSTICO D2X12 FSE 4T / D2X12 FSE 4T ELASTIC PIN	MFS400116409	1
8	APRETADOR TENSOR CADENA DISTRIBUCIÓN / CHAIN TENSOR PUSHER	MFS400116403	1
9	CRUZ TENSOR CADENA DISTRIBUCIÓN / CHAIN TENSOR BUSHING	MFS400116402	1
10	MUELLE TORSIÓN TENSOR CADENA / CHAIN TENSOR SPRING	MFS400116410	1
11	TUBO TENSOR CADENA DISTRIBUCIÓN / CAM SHAFT CHAIN TENSOR HOSE	MFS400116404	1
12	TUERCA EMPUJADOR TENSOR CADENA / CHAIN TENSOR PUSHER WASHER	MFS400116405	1
13	ANILLO ELÁSTICO TENSOR CADENA / CHAIN TENSOR ELASTIC RING	MFS400116411	1
14	TORNILLO EMPUJADOR TENSOR CADENA / CHAIN TENSOR PUSHER SCREW	MFS400116406	1
15	TENSOR CADENA DISTRIBUCIÓN / CHAIN TENSOR	MFS400116400	1
17	ARANDELA KLINGERIT 6X15X0,5 / 6X15X0,5 WASHER	MFS400116407	1
18	ARANDELA 17,5X25,8X0,5 / 17,5X25,8X0,5 WASHER	M03625000	1
19	TORNILLO HEXAGONAL 6X8 / HEXAGONAL SCREW 6X8	T0106008	1
20	ALLEN 6X25 / 6X25 ALLEN SCREW	T0306025	2
21	PIÑÓN CADENA DISTRIBUCIÓN / CAM CHAIN DRIVE SPROCKET	MFS400116361	1
22	ENGRANAJE ÁRBOL DE LEVAS FSE 4T / FSE 4T CAMSHAFT SPROCKET	MFS400116370	1
23	CHAVETA LADO EMBRAGUE FSE 4T / FSE 4T CLUTCH SIDE KEY	MFS450612010	1
25	CONJUNTO BIELA / CONNECTING ROD	MFS400112100	1
26	CONJUNTO CIGÜEÑAL / CRANKSHAFT SET	MFS450612000	1
27	PIÑÓN EJE DE BALANCE / DRIVE GEAR	MFS450512001	1
28	CONJUNTO EJE DE BALANCE / CRANK BALANCER SET	MFS450512003	1
29	CONJUNTO TENSOR CADENA / CHAIN TENSION ADJUSTER SET	MFS400116420	1

GAS GAS

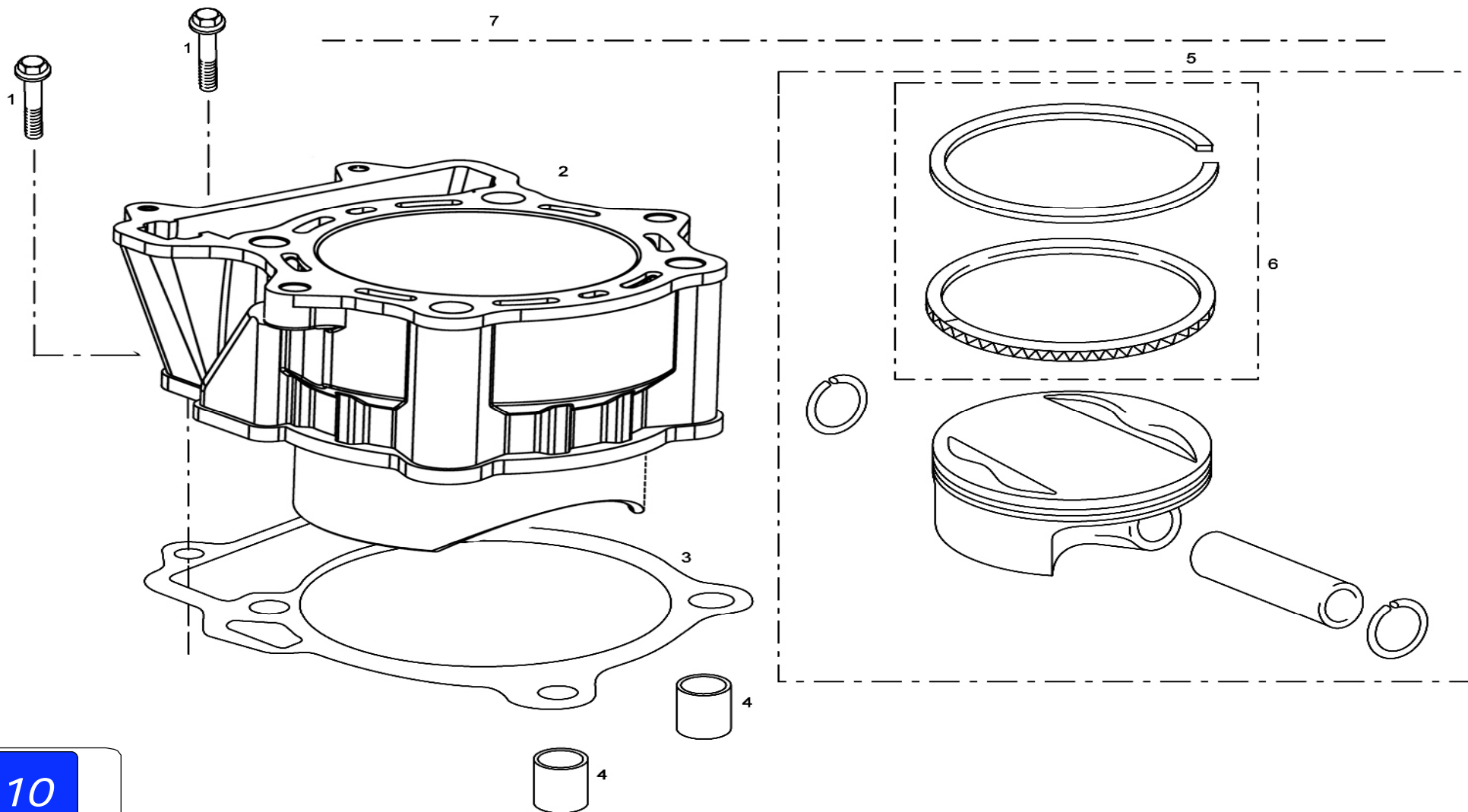
Motor 8



Nº	DESCRIPCION / DESCRIPTION		Cant.
1	PIÑÓN CIGÜEN. TRANS PRIM. / PRIMARY TRANSMISION CRANK SHAFT PINION	MFS120044508	1
2	ARANDELA BISELADA DE. 20/125 / WASHER 20/125	ME25632019	1
3	TUERCA BLOCAJE PIÑÓN CIGÜEÑAL / CRANK SHAFT PINION LOCKING NUT	ME25003298	1
4	ARANDELA CAMPANA EMBRAGUE 22,1X42X2,8 / WASHER 22.1X42X2.8	ME25632011	2
5	CASQUILLO CAMPANA EMBRAGUE / PRIMARY DRIVEN GEAR BUSHING	ME25632012	1
6	COJINETE CAMPANA EMBRAGUE / PRIMARY DRIVEN GEAR BEARING	ME25632029	2
7	CTO. CORONA CAMPANA EMBRAGUE / PRIMARY DRIVEN GEAR SET	MFS450432003CT	1
8	CUBO EMBRAGUE / CLUTCH BOSS	ME25632005	1
9	ARANDELA PRECINTO EMBRAGUE / CLUTCH LOCK WASHER	ME25632022	1
10	TUERCA FIJ. CUBO EMBRAGUE / CLUTCH BOSS NUT	ME25632028	1
11	KIT SILENBLOCK Y REMACHES /SILENBLOCK AND RIVET SET	MFS24300CT4509	1
14	DISCO EMBRAGUE HIERRO / IRON CLUTCH DISK	ME25632037	7
15	DISCO EMBRAGUE FORRADO / COVERED CLUTCH DISK	ME25632007	8
16	BOLET EMBRAGE / CLUTCH PIN	ME25632014	1
17	PLACA AGUJA Y VALV. ESCAPE / EXHAUST PIN WASHER	ME25632016	1
18	JAULA AGUJA VALV. ESCAPE / NEEDLES BEARING	ME25632046	1
19	PRENSA EMBRAGUE / PRESSURE PLATE	ME25632006	1
20	SEEGER EJE 15 EMBRAGUE / CLUTCH SEEGER AXLE 15	ME25632017	1
21	ALLEN 6X20 TA. EMBRAGUE,CART,SUSP. / ALLEN SCREW 6X20	T0306020	6
22	CASQ. MUELLE EMBRAGUE ALUMINIO / ALUMINIUM CLUTCH SPRING BUSHING	ME250032020	6
23	MUELLE EMBRAGUE VERDE / GREEN CLUTCH SPRING	MFS450332015	6
24	VARILLA EMBRAGUE / CLUTCH ROD	ME25632040	1
25	TAPÓN SANGRADOR / BLEEDER CAP	BE256622055	1
26	SANGRADOR / BLEEDER	BE25622060	1
27	ARANDELA LATIGUILLO / HOSE WASHER	BE25622007	2
28	PINZA EMBRAGUE HIDRA. / HYDRAULIC CLUTCH CALIPER	ME25632026	1
29	TÓRICA BOMBA EMBRAGUE / CLUTCH PUMP O'RING	ME25632024	1
30	KIT PINZA EMBRAGUE / CLUTCH CALIPER KIT	BE25622050	1
31	RACORD PINZA EMBRAGUE / RACORD CLUTCH CALIPER	M01060000	1
32	TORNILLO ESPECIAL 6X20 / SPECIAL SCREW	T0206020	1

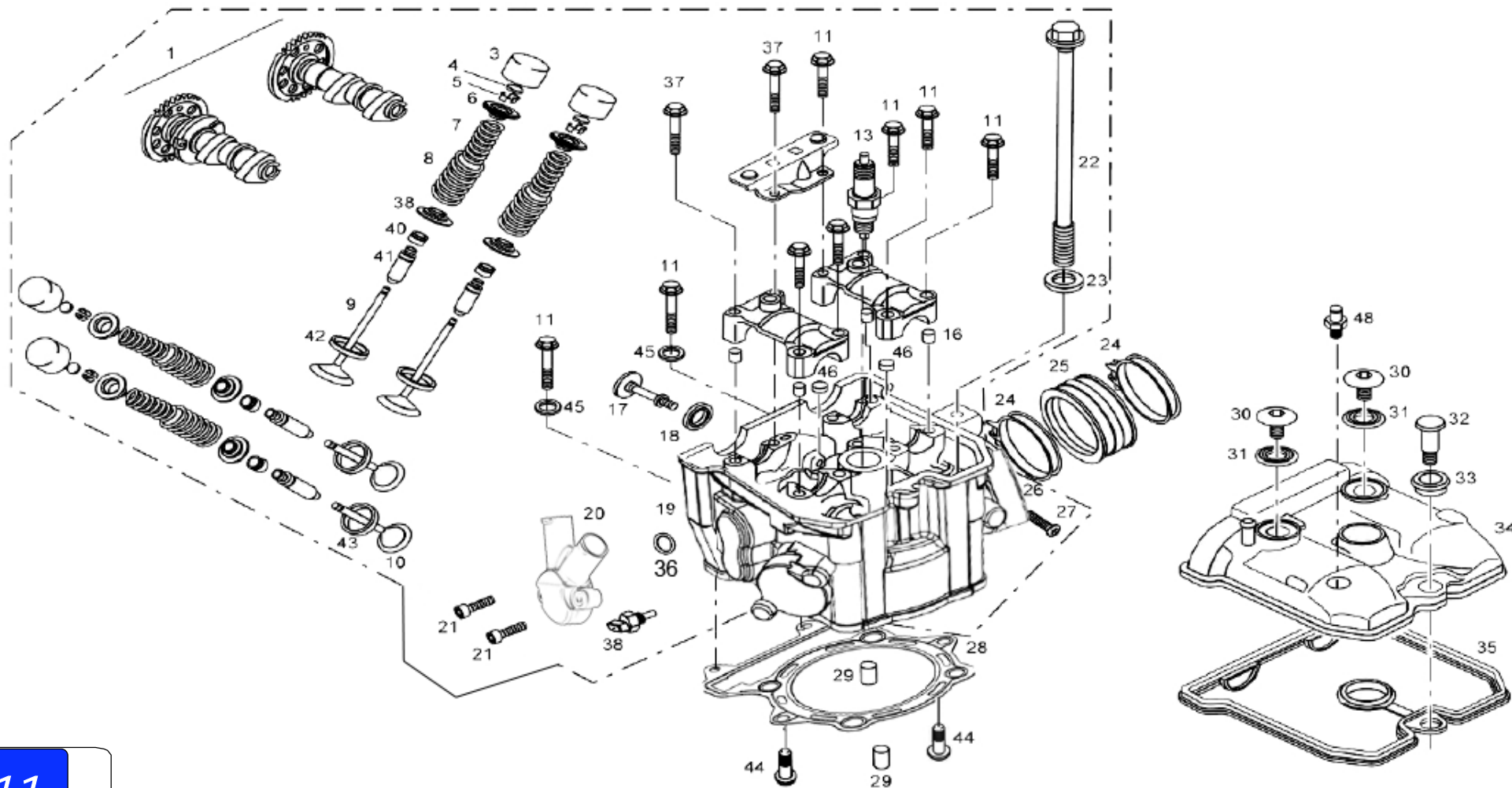
GAS GAS

Motor 9



Nº	DESCRIPCION / DESCRIPTION		Cant.
1	TORNILLO ESPECIAL 6X25 / 6X25 SPECIAL SCREW	T0606025	2
2	CILINDRO FSE 450-2005 / FSE 450-2005 CYLINDER SET	MFS450516022	1
3	JUNTA CILINDRO FSE 500-2006 / FSE 500-2006 CLINDER GASKET	MFS500644000	1
4	CASQUILLO CENTRADOR CULATA / HEAD CYLINDER BUSHING	MFS400116066	2
5A	CONJUNTO PISTÓN A / A PISTON SET	MFS450516020	1
5B	CONJUNTO PISTÓN B / B PISTON SET	MFS450516121	1
6	CONJUNTO AROS PISTÓN / PISTON O-RING SET	MFS450516040	1
7	CONJUNTO CILINDRO Y PISTON / PISTON CYLINDER SET	MFS70000CT4508	1

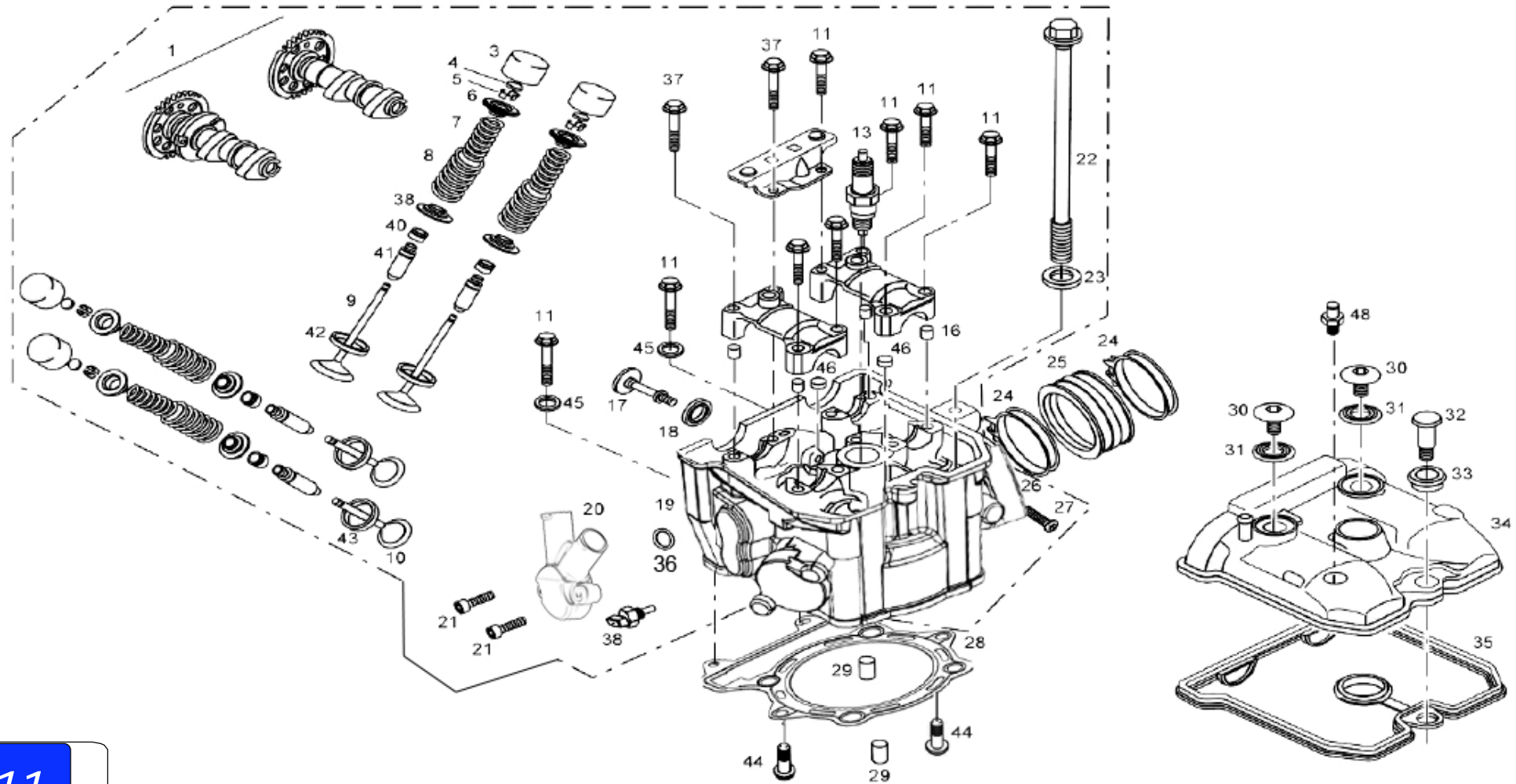
Motor 10
GAS GAS



Nº	DESCRIPCION / DESCRIPTION		Cant.
1	ÁRBOL DE LEVAS ADMISIÓN Y ESCAPE / INTAKE EXHAUST CAMSHAFT	MFS80000CT4508	1
3	VASO EMPUJADOR VÁLVULA / TAPPET	MFS400116300	4
4	PASTILLA REGLAJE BASE VÁLVULA / TAPPET SHIM	MFS400116044	4
5	SEMICONO / VALVE COTTER	MFS400116048	8
6	PLATILLO SEMICONO / SPRING RETAINER	MFS400116047	4
7	MUELLE VÁLVULA INTERIOR / INTERIOR VALVE SPRING	MFS400116059	4
8	MUELLE VÁLVULA EXTERIOR / EXTERIOR VALVE SPRING	MFS400116058	4
9	VÁLVULA ADMISIÓN / INTAKE VALVE	MFS400116043	2
10	VÁLVULA ESCAPE / EXHAUST VALVE	MFS400116015	2
11	TORNILLO 6X40 / 6X40 SCREW	MFS400116351	8
12	GUÍA CADENA DISTRIBUCIÓN SUPERIOR / UPPER CAM SHAFT GUIDE	MFS400116362/2	1
13	BUJÍA NGK CR8 E / NGK CR8 E SPARK PLUG	MFS400134000	1
16	CASQUILLO CENTRADOR TAPA ÁRBOL LEVAS / CAMSHAFT COVER CENTERING PIN	MFS400116350	4
17	TORNILLO ESPECIAL CULATA M7 / M7 CYLINDER HEAD SPECIAL SCREW	MFS400116067	1
18	ARANDELA CULATA 11X25X4 / 11X25X4 CYLINDER HEAD WASHER	T4001126	1
19	CULATA / CYLINDER HEAD	MFS75000CT4508	1
20	CTO. SALIDA TUBOS RADIADOR CULATA / CYL. HEAD OUT TUBE SET	MFS450616104	1
21	ALLEN NEGRO 5X30 / 5X30 BLACK ALLEN SCREW	T0305030N	2
22	TORNILLO M10X175 / M10X175 SCREW	T0201070	4
23	ARANDELA 10,5X19X2 / 10,5X19X2 WASHER	MFS450516099	4
24	ABRAZADERA 40-60 / 40-60 CLAMP	L200047	2
25	TUBERA ADMISIÓN / INTAKE	MFS400116131	1
26	ARANDELA 8X16X1,5 / 8X16X1,5 WASHER	T4008016	1
27	ULS 8X12 / 8X12 ULS SCREW	T0508012	1
28	JUNTA CULATA / CYLINDER HEAD GASKET	MFS943004508	1
29	CASQUILLO CENTRADOR CULATA / CYLINDER HEAD BUSHING	MFS400116066	2
30	TORNILLO ESPECIAL 7X15,3 / 7X15,3 SPECIAL SCREW	T0207017	2
31	ARANDELA TAPA CULATA 11X25X2 / 11X25X2 WASHER	T4001125	2
32	TORNILLO ESPECIAL 7X31 / 7X31 SPECIAL SCREW	T0207031	1
33	ARANDELA TAPA CULATA 12X23X5/7,5 / 12X23X5/7,5 CYLINDER HEAD WASHER	T4001223	1
34	TAPA CULATA / CYLINDER HEAD COVER	MFS81000CT4508	1
35	JUNTA TAPA CULATA / CYLINDER HEAD GASKET	MFS400144015	1
36	TÓRICA 24X2 TUBERA SALIDA AGUA CULATA / WATER EXIT GASKET	MFS400116105	1
37	TORNILLO M6X45 TAPA ÁRBOL LEVAS LARGO / 6X45 SCREW	MFS400116352	2

GAS GAS

Motor 11



Nº	DESCRIPCION / DESCRIPTION		Cant.
38	ARANDELA MUELLE VÁLVULA / SPRING SEAT WASHER	MFS400116049	4
39	SENSOR AGUA / WATER SENSOR	MFS400180004	1
40	RETÉN VÁLVULA / VALVE SEAL	MFS400116039	4
41	GUÍA VÁLVULA / VALVE GUIDE	MFS400116046	4
42	ASIENTO VÁLVULA ADMISIÓN / INTAKE VALVE BASE	MFS400116143	2
43	ASIENTO VÁLVULA ESCAPE / EXHAUST VALVE BASE	MFS400116144	2
44	TORNILLO ALLEN CULATA M8X30 / M8X30 ALLEN HEAD SCREW	T0308030	2
45	ARANDELA 6,5X12X1,5 / 6,5X12X1,5 WASHER	T400612	2
46	TAPÓN DE CULATA / HEAD TOP	MFS400116003	2
47	CONJUNTO CULATA / HEAD SET	MFS450816000CT	1
48	DESVAPORIZADOR CULATA FSE-2006 / CARTER BREATH TUBE CYLINDER HEAD	MFS450616101	1

