

**GAS GAS**

**2010**



**TXT PRO**

**125-200-250  
280-300**

**DESPIECE / / PART LIST**

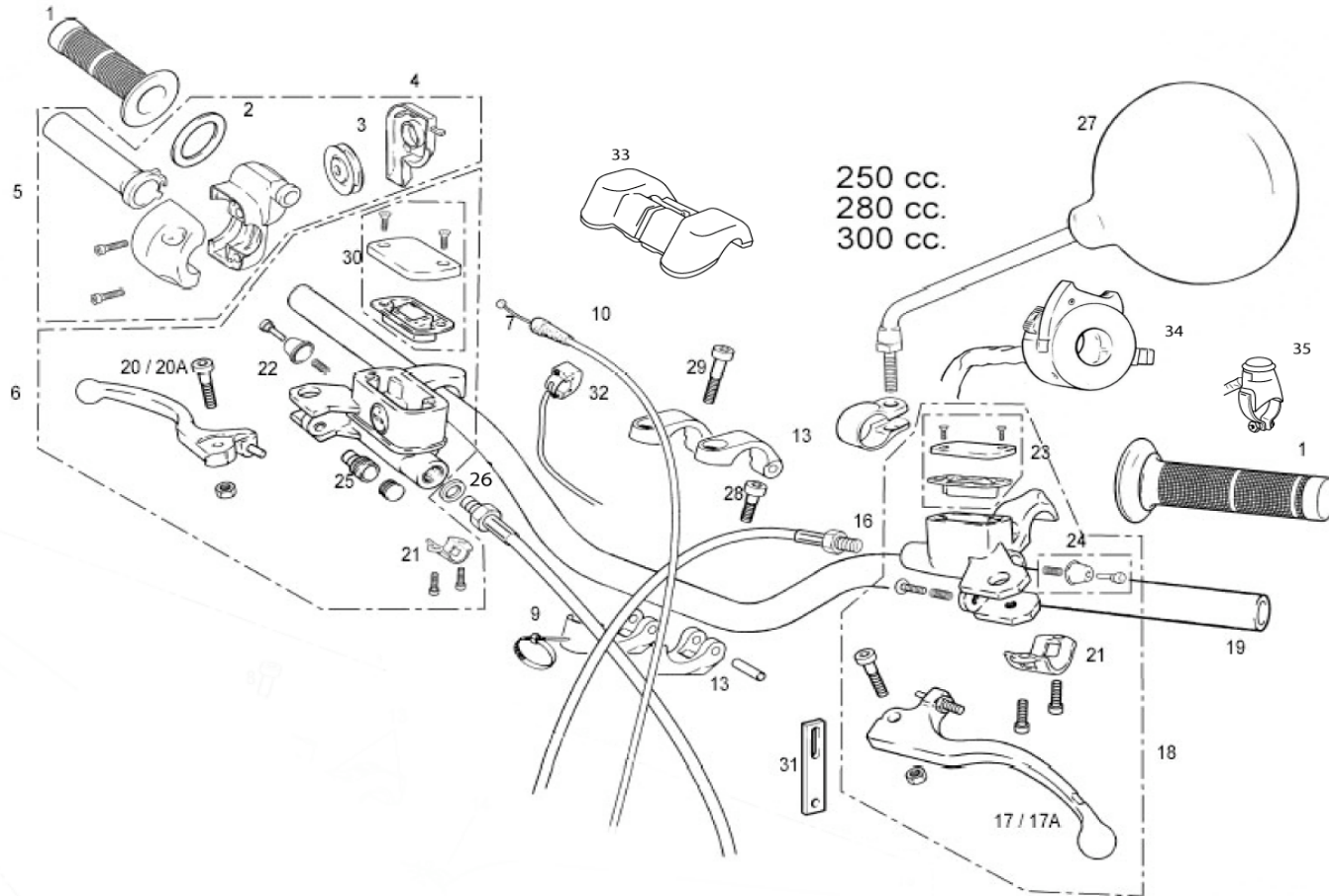
A large, stylized white logo consisting of two interlocking 'G' shapes, positioned on the left side of the cover. The background is black with two sweeping, curved lines in red and white that originate from the bottom left and curve towards the top right, creating a sense of motion and speed.

**GG**

*TECHNOLOGY  
&  
MOTION*

**GAS GAS**

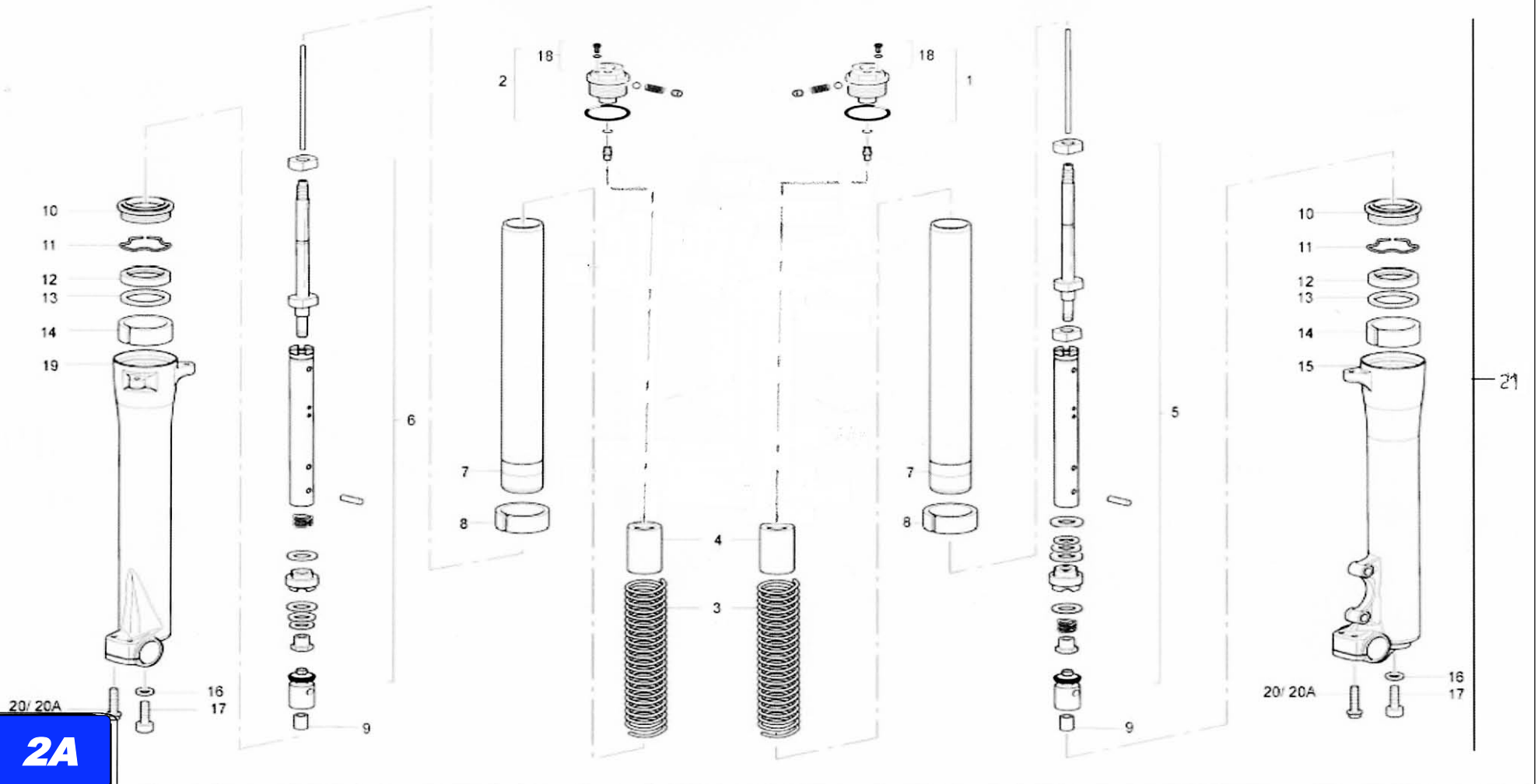
AGOSTO / AUGUST / AOUT / AGOSTO / AUGUST 2009



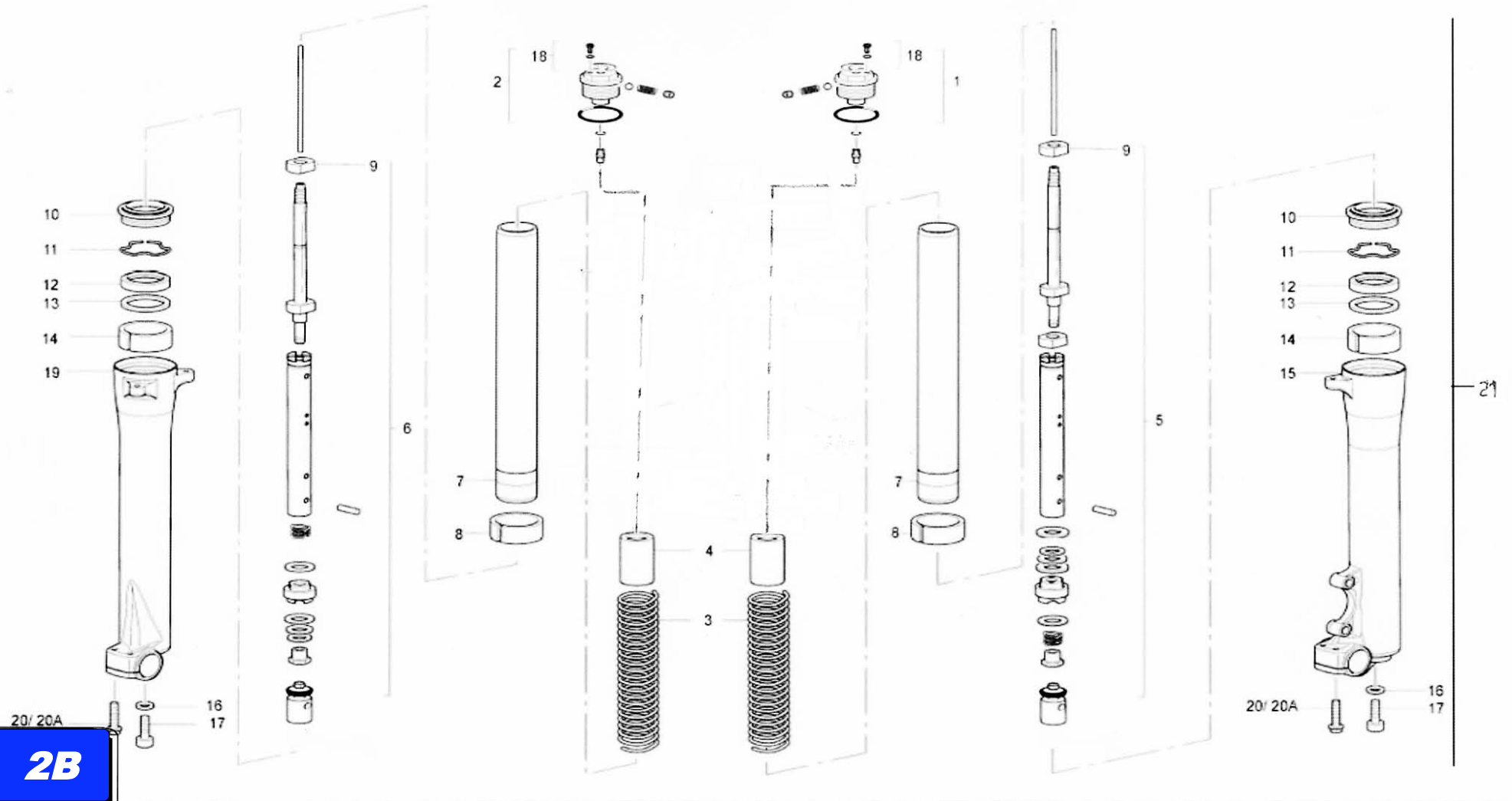
Nº	DESCRIPCION / DESCRIPTION	USA		Cant.
1	JUEGO EMPUÑADURAS TRIAL / HANDLEBAR GRIP (PAIR)		BT261002810	1
2	ARANDELA MANDO GAS / TWIST GRIP WASHER	BT27922078	BT27922078	1
3	RODILLO MANDO GAS / TWIST GRIP ROLLER	E119000	E119000	1
4	TAPA MANDO GAS / TWIST GRIP COVER	E140000	E140000	1
5	PUÑO MANDO GAS / CPT. TWIST GRIP	E100001	E100001	1
6	BOMBA FRENO DELANTERO / FRONT BRAKE PUMP	BT280222008	BT61000R3009	1
7	CABLE DE GAS / THROTTLE CABLE	BT27924008	BT27924008	1
9	BRIDA UNEX 4.8X20 / UNEX 4.8X20 CLAMP	BE25634009	BE25634009	1
10	GUARDAPOLVO PUÑO GAS / THROTTLE CABLE DUST COVER	G600000	G600000	1
13	BRIDA MANILLAR / HANDLEBAR CLAMP	BT280414012C	BT280414012C	1
16	LATIGUILLO EMBRAGUE TRIAL / CLUTCH TUBE	BT280522003	BT280522003	1
17	MANETA EMBRAGUE / CLUTCH LEVER	BT280222040	BT280222040	1
17A	MANETA EMBRAGUE RACING / CLUTCH LEVER R		BT46300R3009	1
18	BOMBA EMBRAGUE ACEITE / CLUTCH PUMP		BT46000R3009	1
19	MANILLAR / HANDLEBAR ASSY.		BT250002810	1
20	MANETA FRENO AJP 93 PLATA LARGA / BRAKE LEVER TRIAL		BT61300R3009	1
20A	MANETA FRENO TRIAL CORTA / BRAKE LEVER		BT27922045	1
21	SOPORTE BOMBA EMBRAGUE / CLUTCH PUMP SUPPORT		BE250022211	2
22	KIT BOMBA FRENO / BRAKE PUMP SET		BT27722208	1
23	KIT TAPA BOMBA / COVER PUMP SET		BT280422210	1
24	KIT BOMBA EMBRAGUE / CLUTCH PUMP SET		BT280422209	1
25	CASQUILLO PULSADOR FRENO DELANTERO / PUSH BUTTON BUSHING		BT27922079	1
26	ARANDELA COBRE 10X14X1 / 10X14X1 WASHER		BT280422007	1
27	ESPEJO RETROVISOR / REAR VIEW MIRROR		L300760	2
28	TORNILLO UFK 8X20 / 8X20 UFK SCREW	T0318020	T0318020	2
29	TORNILLO UFK 8X50 / 8X50 UFK SCREW	T0318050	T0318050	2
30	TAPA BOMBA FRENO / KIT COVER PUMP		BT27722210	1
31	GOMA SUJECIÓN CABLEADOS / WIRE SUBJET RUBBER	BFS450320067	BFS450320067	1
32	INTERRUPTOR CDI / CDI SWITCH	BT280634007	BT280634007	1
33	PROTECTOR MANILLAR TRIAL / TRIAL HANDLEBAR PROTECTOR	BT251002808	BT251002808	1
34	CONMUTADOR LUZ / LIGHT SWITCH	ET602002808	ET602012808	1
35	PULSADOR PARO TRIAL PRO RACING 08 / TRIAL PRO RACING 08 STOP SWITCH	BC250334055		1

**GAS GAS**

**Chasis 1**



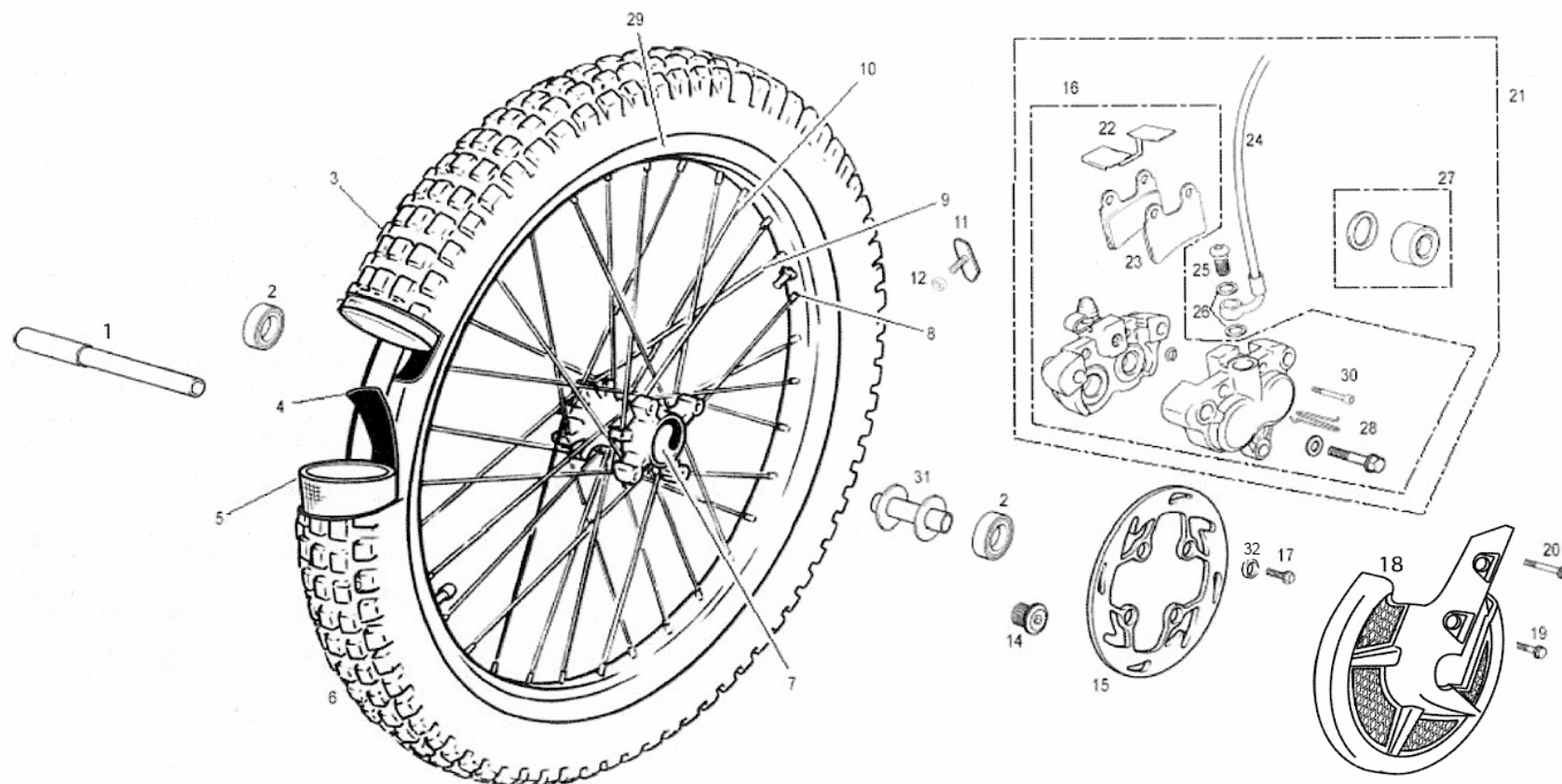




20/ 20A  
**2B**



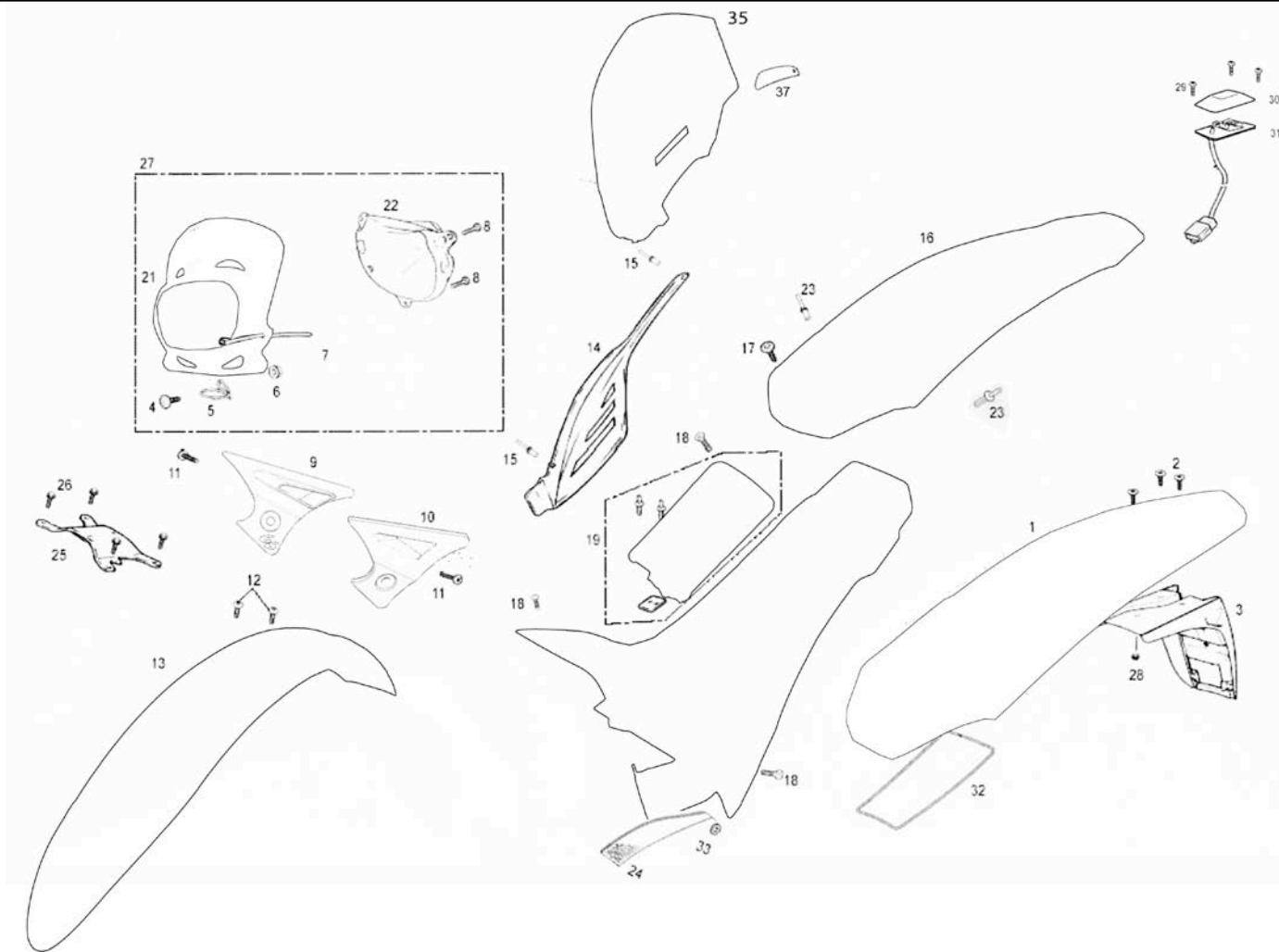




Nº	DESCRIPCION / DESCRIPTION	USA	Cant.
1	EJE RUEDA DELANTERA TRIAL PRO 2004 / FRONT WHEEL AXLE		BT53000R3009 1
2	COJINETE / BEARING		ME120136055 2
3	CUBIERTA DELANTERA 2.75X21 / FRONT TYRE		N140000 1
4	GOMA PROTECTOR R14025 2.75X21 REF. 554350 / FRONT FLAP TYRE		N100000 1
5	CÁMARA DELANTERA 2.75X21 REF. 450905 / FRONT TUBE		N120000 1
6	RUEDA DELANTERA TRIAL PRO / PRO FRONT WHEEL		BT500001CT2810 1
7	CUBO RUEDA DELANTERA TRIAL / FRONT HUB WHEEL		BT280418007 1
8	TUERCA RADIOS 3MM. RUEDA DELANTERA DIA. 6.5 / SPOKE NUT		BT27718001 32
9	RADIO 3X257 RUEDA DELANTERA TRIAL NEGRO / BLACK FRONT WHEEL SPOKE		BT54200N2809 32
11	AGARRE CUBIERTA / TYRE CLAMP		BE25618027 1
12	TUERCA CON ARANDELA ESTRIADA M8 ZINCADA / NUT WITH WASHER		BE25818060 1
14	TORNILLO EJE RUEDA DEL. TRIAL PRO 2004 / FRONT WHEEL AXLE SCREW		BT53010R3009 1
15	DISCO FRENO DELANTERO / FRONT BRAKE DISK		BT280322011R 1
16	PINZA FRENO DELANTERO / FRONT BRAKE PADS		BT280222000 1
17	HEXAGONAL M8 CON ARANDELA / M8 HEXAGONAL SCREW WITH WASHER		T0206020 4
18	PROTECTOR DISCO FRENO / FRONT BRAKE DISK PROTECTOR		BT94100RA3009 1
19	TORNILLO PINZA FRENO DELANTERA INFERIOR 8X1.25X36.5 / SCREW	-	BT280022071 1
20	TORNILLO PINZA FRENO DELANTERA SUPERIOR 8X1.25X62.5 / SCREW	-	BT280022070 1
21	CTO. FRENO DELANTERO TRIAL / FRONT BRAKE SET	BT60000CT2808	BT280422108 1
22	PLANCHA PROTECCIÓN PASTILLAS FRENO / BRAKE PAD PROTECTOR	-	BT280222213 1
23	PASTILLA FRENO DELANTERA 229.99102 / FRONT BRAKE PAD	-	BT280222065 2
24	LATIGUILLO FRENO DELANTERO 2000 / FRONT BRAKE TUBE	BT611002808	BT280222002 1
25	TORNILLO LATERAL BOMBA FRENO TRAS. / HOSE SCREW	-	BT27722212 1
25A	RÁCORD ALUMINIO T1 M10 100 / ALUMINIUM HOSE SCREW	-	BT280522212 1
26	ARANDELA PLANA COBRE 10.25X14X1.4 / 10.25X14X1.4 WASHER	-	BT27922072 2
27	KIT REPARACION PINZA FRENO DEL. / FRONT BLAKE CALIPER SET	-	BT280222201 1
28	CHAVETA SUJECCIÓN PASTILLA FRENO / FRONT BRAKE PAD KEY	-	R250000 1
29	LLANTA DELANTERA COLOR TITANIO /TITAN COLOR FRONT WHEEL RIM	-	BT540002810 1
30	TORNILLO SUJECCION PASTILLAS / BRAKE PADS SCREW	-	BT280222006 1
31	CASQUILLO INTERIOR BUJE / BUSHING	-	BT280418051 1
32	DISTANCIADOR DISCO FLOTANTE / WASHER FLOATING DISC	-	BT27918019 4
33	TAPONES GOMA VALVULA		BT53500R3009 1
34	CTO. LLANTA DELANTERA RADIADA		BT54000CT2810 1

**GAS GAS**

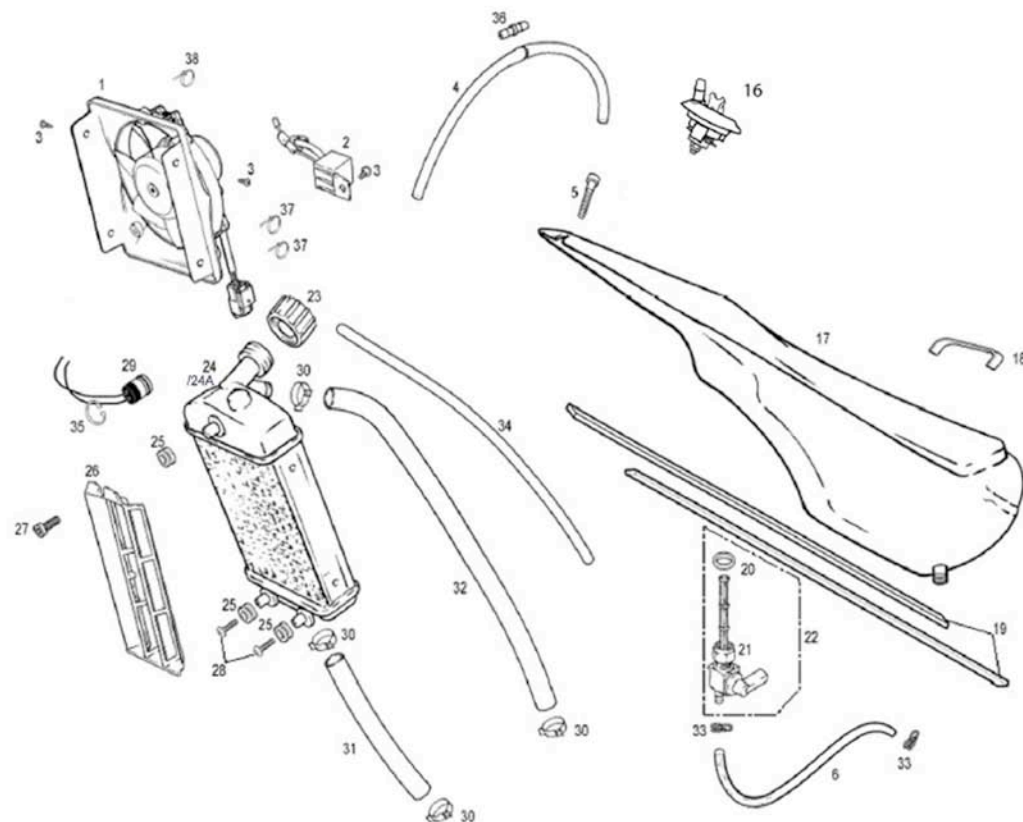
**Chasis 3**



Nº	DESCRIPCION / DESCRIPTION		Cant.
1	GUARDABARROS TRAS. TRIAL HOMOLOGADO / TRIAL REAR FENDER		1
2	TORNILLO NEGRO ULS 6X16 / 6X16 ULS SCREW	T0506016N	3
3	PORTAMATRICULAS TRIAL HOMOLOGADO / TRIAL PLATE SUPPORT	BT280620003	1
4	TORNILLO ULS 6X14 CON ARANDELA PLATA / ULS SCREW 6X14	T0556014	1
5	GANCHO INOXIDABLE / RUSTLESS HOOK	M130000	1
6	TUERCA CON ARANDELA M6 / M6 NUT WITH WASHER	T2206000	2
7	BRIDA UNEX / UNEX CLAMP	BE25634007	2
8	TORNILLO ROSCA-CHAPA 3X9 / 3X9 SCREW	T1003009	4
9	PROTECTOR RADIADOR DERECHO / RIGHT RADIATOR COVER	BT91500RA3008	1
10	PROTECTOR RADIADOR IZQUIERDO / LEFT RADIATOR COVER	BT92000RA3008	1
11	TORNILLO CHAPA 4.2X13 / SCREW 4.2X13	T0804612	2
12	ULS 5X8 / 5X8 ULS SCREW	T0505008	2
13	GUARDABARROS DELANTERO 2005 / TRIAL 2005 FRONT FENDER		1
14	PROTECTOR ESCAPE TRIAL 2002 / EXHAUST PROTECTOR	BT280226021	1
15	REMACHE ALUMINIO 4X12 CABOTA NEGRA / ALUMINIUM RIVET	T4504012N	2
16	GUARDABARROS TRAS. TRIAL 2009 / TRIAL 2009 REAR FENDER		1
17	ULS 6X16 CON ARANDELA NEGRO / 6X16 BLACK ULS WITH WASHER	T0556016	1
18	TORNILLO CÓNICO 6X16 NEGRO / BLACK 6X16 CONIC SCREW	T0406016	5
19	TAPA CAJA FILTRO TRIAL 2009 / TRIAL PRO 2009 FILTER BOX COVER		1
20	BASE ASIENTO TRIAL 2009 / TRIAL 2009 SEAT STRUCTURE		1
21	FARO DELANTERO TRIAL 2009 / TRIAL 2009 FRONT HEADLIGHT		1
22	ÓPTICA HOMOLOGADA / APPROVED HEADLIGHT	BT280120022	1
23	REMACHE PLASTICO BLANCO GUARDAB. TRAS. / PLASTIC RIVET	T4513270	2
24	ADH. PROTECTOR ESCAPE AMIANTO / EXHAUST PROTECTOR STICKER	BT280238059	1
25	PUENTE HORQUILLA DELANTERA / FRONT SUSPENSION UNION	BT280110055	1
26	TORNILLO ESPECIAL 6X14 / 6X14 SPECIAL SCREW	T0206014	4
27	CTO. FARO HOMOLOGADO / APPROVED HEADLIGHT SET		1
28	TUERCA AUTOBLOCANTE M6 C/ARAND / SELF-LOCKING NUT M6	T2206002	3
29	TORNILLO ROSCA-CHAPA 3.5X13 / SCREW 3.5X13	T0603513	3
30	FARO PILOTO TRASERO TRIAL / REAR LIGHT	ET30000CT2808	1
32	TUBO FLEXIBLE SILICONA BASE ASIENTO / SEAT BASE SILICON HOSE	BT280236042	1
33	ARANDELA 5X12X1'5 / WASHER 5X12X1'5	T4005012	1
34	ALARGO INSTALACIÓN PILOTO TRASERO / EXTEND INSTALLATION REAR LIGHT		1
35	FARO TRIAL RACING / RACING FRONT HEADLAMP TRIAL		1

**GAS GAS**

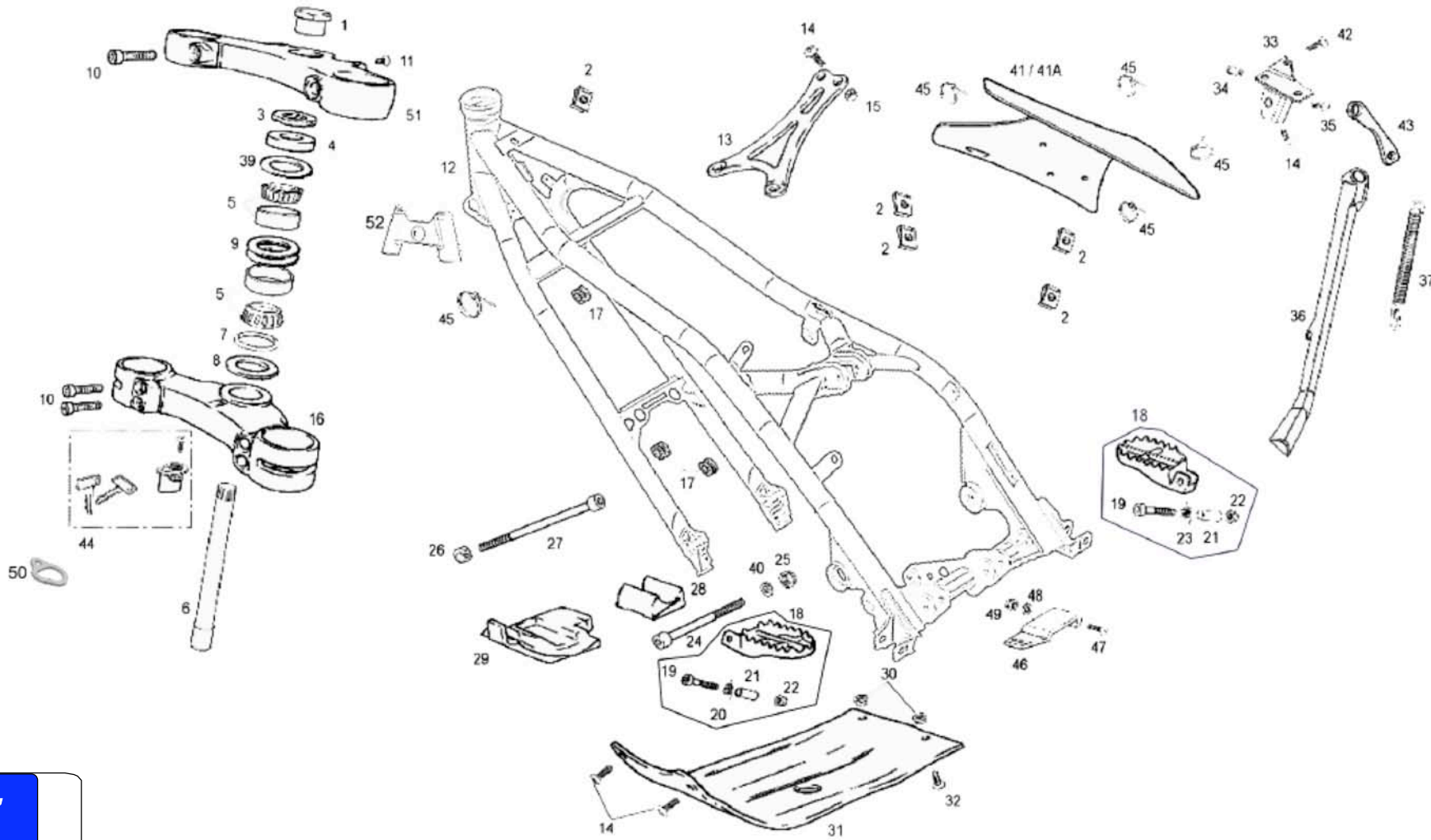
**Chasis 4**



Nº	DESCRIPCION / DESCRIPTION	125 / 200 / 250 / 280	300	Cant.
1	VENTILADOR F-14 / FUN F-14	-	BT300432340	1
2	MODULO VENTILADOR / FUN MODULE	BT120532342	BT280532342	1
3	TORNILLO ROSCA CHAPA CON ARANDELA / SCREW THREAD WITH WASHER	-	T0604210	3
4	TUBO DESVAPORIZADOR DEPÓSITO 41cm. / TANK TUBE 41CM. LONG	-	BT280310018	1
5	TORNILLO M6X30 / SCREW M6X30	-	T0206030	1
6	TUBO GASOLINA TRIAL / FUEL HOSE	-	BT280236004	1
16	CTO. TAPÓN GASOLINA / CPT. PLUG FUEL-PETROL	-	BT280420010	1
17	DEPÓSITO TRIAL / FUEL TANK	-	BT760002809	1
18	JUNTA ADHESIVA DEPÓSITO 125x10 / STICKER TANK GASKET	-	BT280038018	1
19	JUNTA ADHESIVA DEPÓSITO CHASIS 38 X 1 / STICKER TANK GASKET,FRAME	-	BT27838018	2
20	ARANDELA GRIFO DEPÓSITO / WASHER TANK TAP	-	BT27910131	1
21	TUERCA GRIFO DEPÓSITO / NUT TANK TAP	-	BT27910132	1
22	GRIFO GASOLINA C/90 / FUEL VALVE	-	BT27810031	1
23	TAPÓN RADIADOR TP50806 TRIAL 2002 / RADIATOR CAP	-	BT280232032	1
24	CTO. RADIADOR CON VENTILADOR TRIAL PRO / TRIAL PRO RADIATOR	-	BT70000CT2808	1
25	GOMAS RADIADOR A CHASIS / RADIATOR TUBE TO FRAME	-	G220000	3
26	REJILLA RADIADOR TRIAL / RADIATOR PROTECTOR	-	BT730502809	1
27	ALLEN 6X14 / 6X14 ALLEN BOLT	-	T0306014	1
28	ULS 6x10 CON ARANDELA / 6X10 ULS BOLT WITH WASHER	-	T0556010	2
29	TERMO CONTACTO / TERMO-CONTACT	-	BT280432065	1
30	ABRAZADERA COBRA DE 21 / COBRA CLAMP 21	-	L200046	4
31	TUBO INFERIOR RADIADOR-BOMBA AGUA / RADIATOR-WATER PUMP LOWER TUBE	-	BT280232003	1
32	TUBO SUPERIOR RADIADOR-CULATA / RADIATOR-CYL. HEAD UPPER TUBE	-	BT280432002	1
33	ABRAZADERA ELÁSTICA NEGRA ALAMBRE 9.3X9.9 2016055 / SPRING CLAMP	-	L200036	2
34	TUBO DESVAPORIZADOR TAPÓN GAS (26cm) / RADIATOR EXCESS TUBE HOSE	-	BE25620011	1
35	CLIP TERMOSTATO PRO 2005 / SEEGER	-	BT280432066	1
36	VÁLVULA DESVAP. DEPÓSITO / UNSTEAMER VALVE	-	BT27836025	1
37	BRIDA UNEX CORTA 2.5X98 / UNEX CALMP	-	BE25634010	2
38	BRIDA UNEX 2244 4.8X20 / UNEX CLAMP	-	BE25634009	1
24A	RADIADOR / RADIATOR	-	BT700002808	1

**GAS GAS**

**Chasis 6**



Nº	DESCRIPCION / DESCRIPTION	MODELO AZUL 09	USA	125 RACING	125 / 200	250 / 280 / 300	Cant.
1	TUERCA SUPERIOR DIRECCIÓN TRIAL / NUT TOP STEERING AXLE		BT280410030	BT280410030	BT280210030	BT280410030	1
2	TUERCA NUT 956 RAPIDA M6 / M6 FAST NUT		T2606000	T2606000	T2606000	T2606000	5
3	TUERCA INFERIOR DIRECCIÓN TRIAL / NUT UNDER TOP CLAMP		BT280410029	BT280410029	BT280210029	BT280410029	1
4	GUARDAPOLVO COJINETES DIRECCIÓN / BEARING STEERING, DUST COVER		BEP250210026	BEP250210026	BEP250210026	BEP250210026	1
5	COJINETE DIRECCIÓN URBXA 32004 / BEARING STEERING		BT280210008	BT280210008	BT280210008	BT280210008	2
6	EJE DIRECCIÓN TRIAL 2002 / AXLE STEERING				BT280214003	-	1
7	TÓRICA DIRECCIÓN 37X2,5 ENDUPAMP 250 / O/RING STEERING		BEP250210012	BEP250210012	-	BEP250210012	1
8	ARANDELA REGLAJE BLANCA / WHITE WASHER		BT280210026	BT280210026	-	BT280210026	1
9	ARANDELA 36X42X0.5 / 36X42X0.5 WASHER		T4003642	T4003642	-	T4003642	2
10	ALLEN BRIDA INFERIOR / ALLEN SCREW				T0308030	T0306025	6
11	ULS 6X10 DIRECCIÓN / STEERING ULS				T0506010	-	1
12	CHASIS TRIAL / TRIAL FRAME	BT10000BL2809	BT100002809	BT100002809	BT100002809	BT100002809	1
13	TIRANTE CILINDRO / BRACE CYLINDER		BT280110050	BT280110050	BT280110050	BT280110050	1
14	ULS 8X20 / 8X20 ULS		T0508020	T0508020	T0508020	T0508020	7
15	TUERCA AUTOBLOCANTE M-8 ALTA / SELF-LOCKING NUT M8 HIGH		T2108002	T2108002	T2108002	T2108002	4
16	PLATINA INFERIOR TRIAL / FORK CLAMP (LOWER)		BT210002809	BT210002809	BT210002809	BT210002809	1
17	GOMAS RADIADOR A CHASIS / RADIATOR PROTECTOR RUBBER		G220000	G220000	G220000	G220000	3
18	CTO. ESTRIBOS TXT PRO / JOINT STIRRUPS		BT14000CT2808	BT14000CT2808	BT14000CT2808	BT14000CT2808	1
19	PASADOR ESTRIBERA / SCREW		T0508045	T0508045	-	T0508045	2
20	MUELLE ESTRIBO IZQUIERDO / SPRING FOOTSTEP (LEFT)		M100004	M100004	-	M100004	1
21	CASQUILLO ESTRIBO TRIAL-99 / BUSH FOOTSTEP		BT27910006	BT27910006	-	BT27910006	2
22	TUERCA AUTOBLOCANTE M-8 BAJA (DIN 982) / NUT NYLOCK LOW		T2108001	T2108001	-	T2108001	2
23	MUELLE ESTRIBO DERECHO / SPRING FOOTSTEP, RIGHT		M100003	M100003	-	M100003	1
24	ALLEN 10x85 / 10X85 ALLEN BOLT		T0301085	T0301085	-	T0301085	1
25	TUERCA AUTOBLOCANTE M10 BAJA / SPECIAL M10 NUT		T2110001	T2110001	-	T2110001	1
26	TUERCA ESPECIAL M10 / SPECIAL M10 NUT		BT280210069	BT280210069	-	BT280210069	1
27	ALLEN M10X140 ZINCADO 12.9 / SCREW, BOLT ALLEN M10X140		T0310140	T0310140	-	T0310140	1
28	GOMA PROTECTOR TRASERO MOTOR / REAR ENGINE PROT. RUBBER		BT280336029	BT280336029	-	BT280336029	1
29	GOMA PROTECTOR DELANTERO MOTOR / FRONT ENGINE PROT. RUBBER		BT280236030	BT280236030	-	BT280236030	1
30	CASQUILLO PROTECTOR CÁRTER / CHASIS TRIAL / BUSHING		BT280310883	BT280310883	-	BT280310883	2
31	PLACA PROTECCIÓN MOTOR / TRIAL ENGINE PROTECTOR PLATE		BT280210005	BT280210005	-	BT280210005	1
32	ULS 8X16 / ULS 8X16		T0508016	T0508016	-	T0508016	2
33	SOPORTE CABALLETE TRIAL 2000 / SIDE STAND BRACKET SUPPORT		BT280712023	BT280712023	-	BT280712023	1

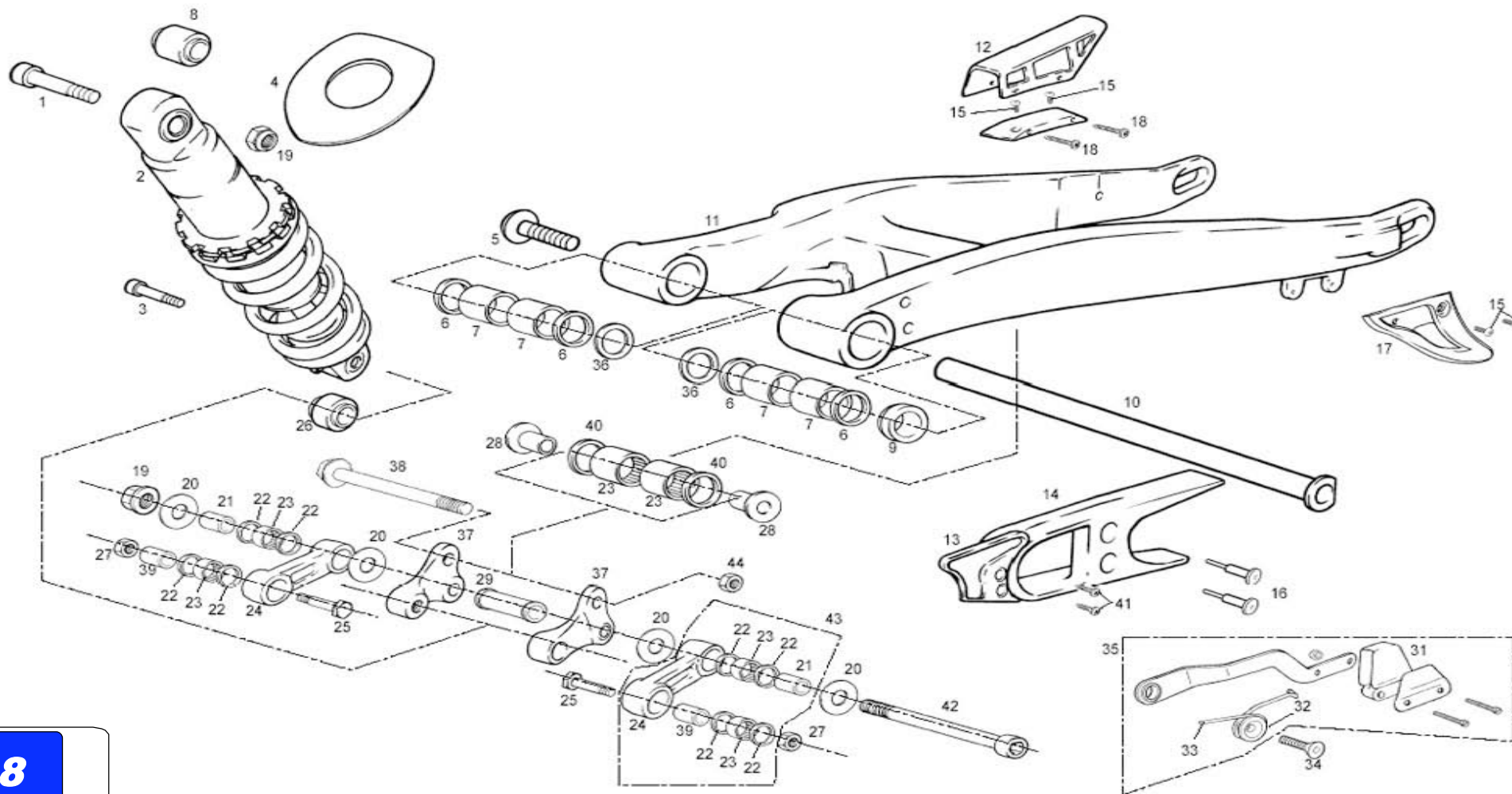
**GAS GAS**

**Chasis 7**









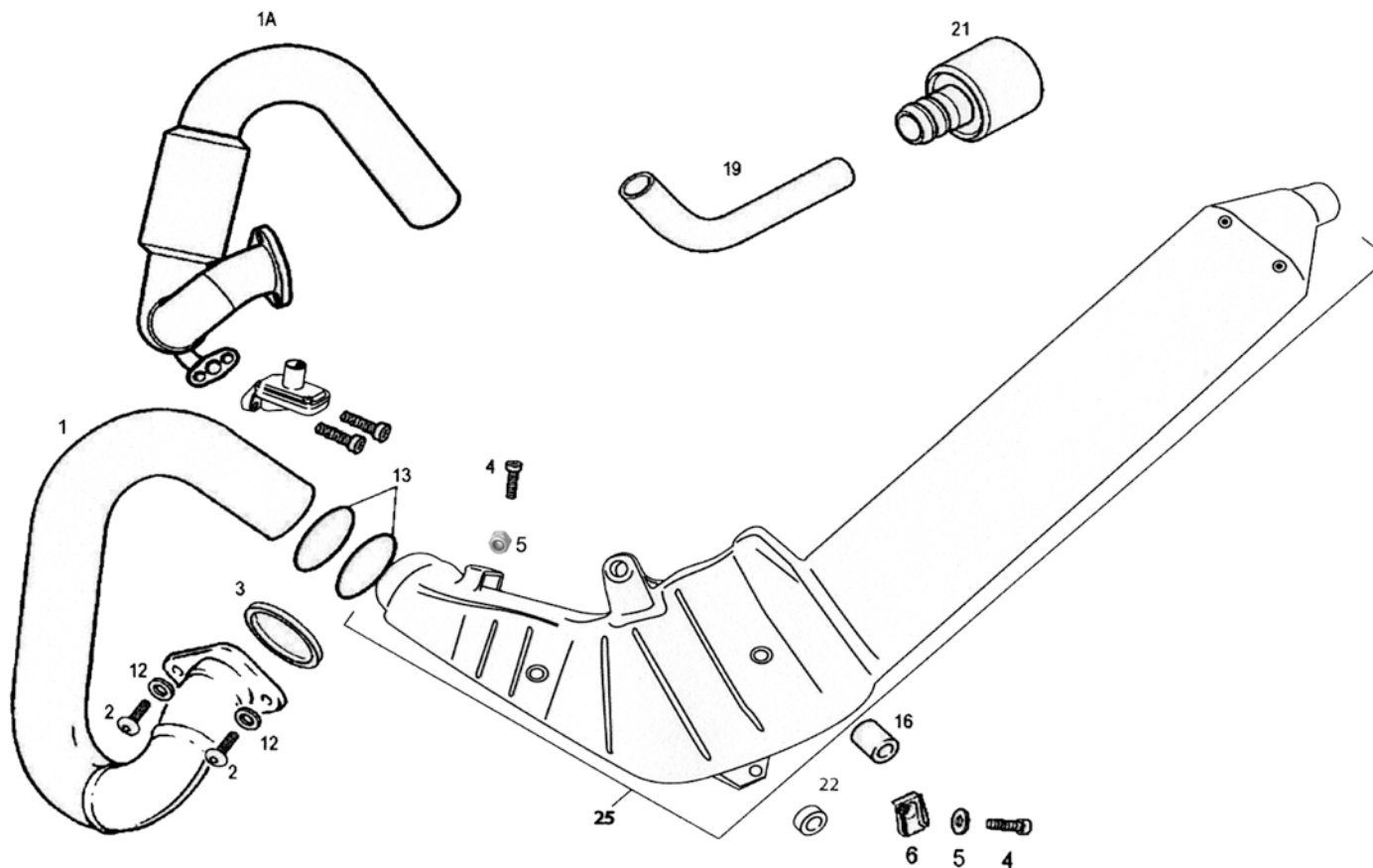
Nº	DESCRIPCION / DESCRIPTION	USA	125 RACING	125 / 200	250 / 280 / 300	Cant.
1	ALLEN 10X55 / 10X55 ALLEN SCREW	T0301055	T0301055	T0301055	T0301055	1
2	AMORTIGUADOR TRIAL / SHOCK ABSORBER	BT300002809	BT300002809	BT300002809	BT300002809	1
3	TORNILLO ESPECIAL / SPECIAL SCREW	T0310046	T0310046	T0310046	T0310046	1
4	GOMA PROTECCIÓN AMORTIGUADOR TRASERO / REAR SHOCK PROTECTOR	BT280236041	BT280236041	BT280236041	BT280236041	1
5	TORNILLO EJE BASCULANTE TRIAL / SWING-ARM AXLE SCREW	BT280212009	BT280212009	BT280212009	BT280212009	1
6	RETÉN 20-26-4 870 N BASCULANTE / 20-26-4 OIL SEAL	C220001	C220001	C220001	C220001	4
7	COJINETE / BEARING	BT280212032	BT280212032	BT280212032	BT280212032	4
8	SILENTBLOCK AMORTIGUADOR / REAR SHOCK ABSORBER SILENTBLOCK	BT280414305	BT280414305	BT280414305	BT280414305	1
9	CASQUILLO GUÍA EJE BASCULANTE / SWING-ARM AXLE BUSHING	BT280212108	BT280212108	BT280212108	BT280212108	1
10	EJE BASCULANTE TRIAL / SWING-ARM AXLE	BT280412008	BT280412008	BT280412008	BT280412008	1
11	BASCULANTE TRIAL / TRIAL 2002 SWING-ARM	BT280712002	BT280712002	BT280712002	BT280712002	1
12	CUBRECADENAS / CHAIN COVER	BT280428011	BT280428011	BT280428011	BT280428011	1
13	PROTECTOR PIÑÓN TRIAL 2002 / PINION PROTECTOR	BT280236021	BT280236021	BT280236021	BT280236021	1
14	PATÍN CADENA / CHAIN GUIDE	BT280412015	BT280412015	BT280412015	BT280412015	1
15	ULS 5X12 / 5X12 ULS	T0505012	T0505012	T0505012	T0505012	4
16	REMACHE CABOTA GRANDE 14X4 8X21 PATÍN / RIVET	T4505016	T4505016	T4505016	T4505016	2
17	PROTECTOR CORONA TRIAL 2003 / SPROCKET PROTECTOR	BT280320029	BT280320029	BT280320029	BT280320029	1
18	TORNILLO ROSCA CHAPA PHILIPS 4X38 / 4X38 PHILIPS SCREW	T0614838	T0614838	T0614838	T0614838	2
19	TUERCA AUTOBLOCANTE / SELF-LOCKING NUT	T2110001	T2110001	T2110001	T2110001	2
20	ARANDELA REGLAJE 10.5X26X0.5 / 10.5X26X0.5 WASHER	T4001026	T4001026	T4001026	T4001026	4
21	CASQUILLO SUSPENSIÓN DIAM. 10 / SUSPENSION BUSHING	BT27712005	BT27712005	BT27712005	BT27712005	2
22	RETÉN 15X21X2 / 15X21X2 OIL SEAL	C230001	C230001	C230001	C230001	8
23	COJINETE AGUJAS 15BM2116 / NEEDLE BEARING	BT27714009	BT27714009	BT27714009	BT27714009	6
24	BIELETA ALUMINIO TRIAL 2000 / ALUMINIUM ROD	BT280014008	BT280014008	BT280014008	BT280014008	2
25	TORNILLO ESPECIAL BIELETA 8X38 / 8X38 SPECIAL SCREW	T0118038	T0118038	T0118038	T0118038	2
26	RÓTULA AMORTIGUADOR / BALL AND SOCKET JOIN	BT280214300	BT280214300	BT280214300	BT280214300	1
27	TUERCA AUTOBLOCANTE M8 ALTA / SELF-LOCKING NUT	T2108002	T2108002	T2108002	T2108002	2
28	CASQUILLO BALANCÍN 99 / ARTICULATION BUSHING	BT27914014	BT27914014	BT27914014	BT27914014	2
29	CASQUILLO DISTANCIADOR BALANCÍN / ARTICULATION SPACER BUSHING	BT27914016	BT27914016	BT27914016	BT27914016	1
31	GOMA TENSOR CADENA / TENSIONER CHAIN RUBBER	G180010	G180010	G180010	G180010	1
32	CASQUILLO TENSOR CADENA / CHAIN TENSIONER BUSHING	B560000	B560000	B560000	B560000	1
33	MUELLE TENSOR CADENA / CHAIN TENSIONER SPRING	M122000	M122000	M122000	M122000	1
34	ALLEN CONICO 8X30 TENSOR CADENA / 8X30 CONIC ALLEN	T0408030	T0408030	T0408030	T0408030	1

**GAS GAS**

**Chasis 8**







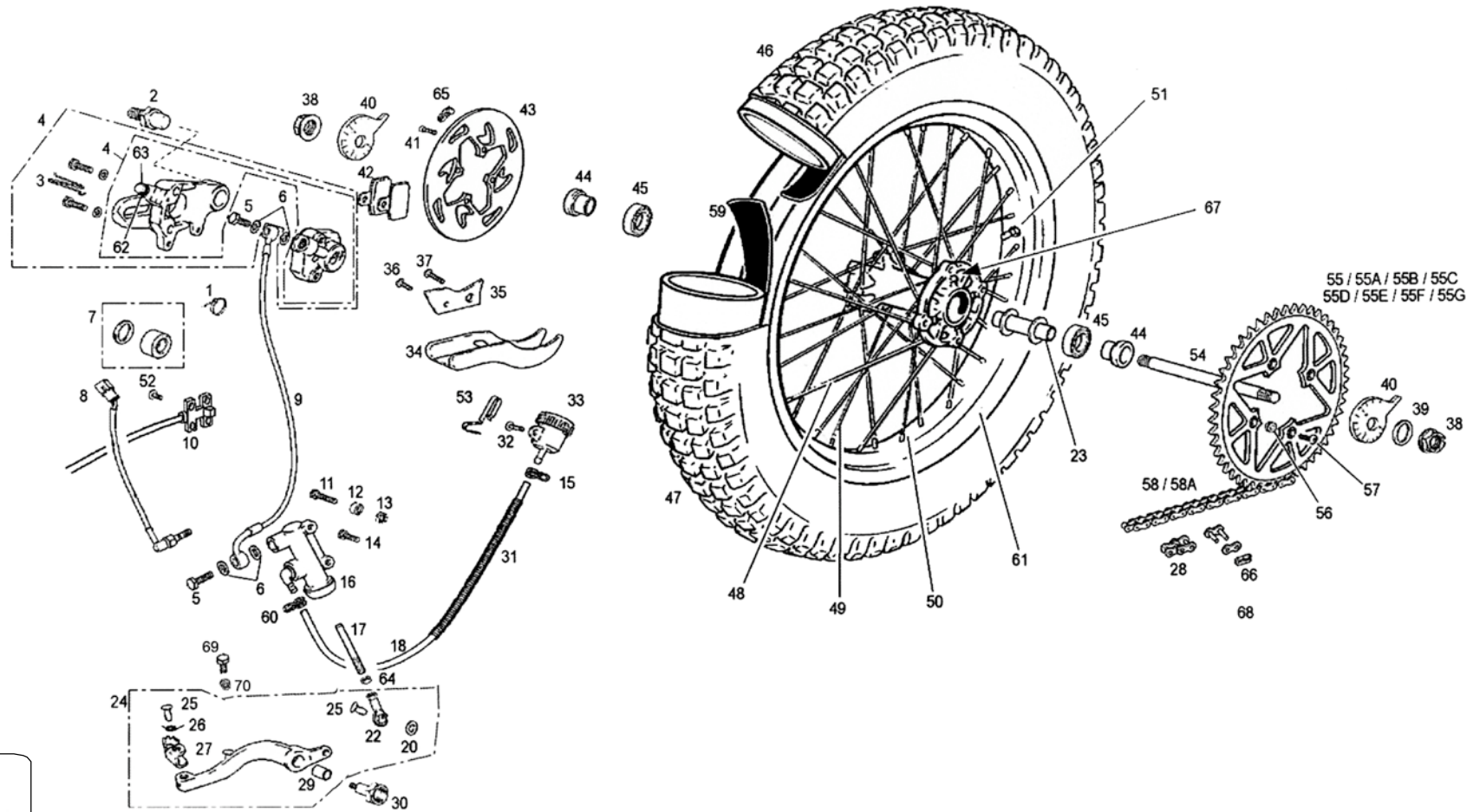




**Rueda trasera /  
Rear wheel**

**GAS GAS**

**TXT PRO 2010**



Nº	DESCRIPCION / DESCRIPTION	125	200	250 / 280	300	Cant.
1	BRIDA UNEX CORTA 2221-0 2,5X98 / 0 2,5X98 / CABLE TIES 2,5X98	-	-	BE25634010	-	1
2	CASQUILLO CENTRADOR PINZA / SPACER BUSHING	-	-	BT280222049	-	1
3	CHAVETA SUJECIÓN PASTILLA / KEY SPACER BRAKE PADS	-	-	R250000	-	1
4	PINZA FRENO TRASERA / CALIPER BRAKE REAR	-	-	BT280222001	-	1
5	TORNILLO LATERAL BOMBA FRENO TRASERO / BOLT PRESSURE HOSE	-	-	R320000	-	2
6	ARANDELA AL. 10X14X1.5 / WASHER 10X14X1.5	-	-	BT280422007	-	4
7	KIT REPARACIÓN PINZA FRENO / REPAIR KIT BRAKE PAD	-	-	BT280222202	-	1
8	INTERRUPTOR STOP HOMOLOGADO / STOP INTERRUPTOR HOMOL.	-	-	BEP250234003	-	1
9	LATIGUILLO FRENO TRASEO / REAR BRAKE HOSE	-	-	BT280222004	-	1
10	REENVÍO / HALL SENSOR	-	-	BT280634050	-	1
11	TORNILLO 6X25 / 6X25 BOLT	-	-	T0206025	-	1
12	CASQUILLO SEPARADOR FRENO TRASERA / REAR BRAKE PUMP SPACER	-	-	BT280226240	-	1
13	TUERCA CON ARANDELA M6 (DIN 6923) ESTRIADA / M6 NUT WITH WASHER	-	-	T2206000	-	2
14	TORNILLO ESPECIAL 6X14 / 6X14 SPECIAL SCREW	-	-	T0206014	-	1
15	ABRAZADERA ELÁSTICA ALAMBRE / ELASTIC SPRING	-	-	L200036	-	2
16	BOMBA FRENO TRASERO / REAR BRAKE PUMP	-	-	BT280222010	-	1
17	VARILLA FRENO TRASERA TRIAL 2002 / BRAKE ROD	-	-	BT280222062	-	1
18	TUBO SOBRANTE RAD. 5X8 (39cm) / RADIATOR HOSE 5X8 (39cm).	-	-	BE25632009	-	1
20	ARANDELA PLANA 6X12X1.5 / WASHER 6X12X1.5	-	-	T4006012	-	1
22	RÓTULA PEDAL FRENO / BRAKE PEDAL BALL-AND-SOCKET JOINT	-	-	BT280222053	-	1
23	CASQUILLO SEPARADOR 390.80.221 / BUSHING	-	-	BT280218052	-	1
24	CTO. PEDAL FRENO TRASERO / REAR BRAKE PEDAL SET	-	-	BT13000CT2809	-	1
25	REMACHE PUNTERA PEDAL FRENO / BRAKE PEDAL END RIVET	-	-	BE25922018	-	2
26	MUELLE PUNTERA PEDAL / SPRING PEDAL, END GEAR CLEVER	-	-	ME25636029	-	1
27	PUNTERA PEDAL FRENO / TOE PEDAL BRAKE	-	-	BT27922017	-	1
28	ENGANCHE CADENA IRIS 520 RXL / CHAIN SPLIT LINK	-	-	BT280310066	-	1
29	GLACIER PEDAL FRENO 1215PD10 / GLACIER BRAKE PEDAL	-	-	C200101	-	1
30	CASQUILLO TORNILLO PEDAL FRENO TRIAL / SCREW BUSHING	-	-	BT280610302	-	1
31	MUELLE DESVAPORIZADOR / SPRING BREATHER	-	-	M150000	-	1
32	ULS 6x14 CON ARANDELA / 6X14 ULS WITH WASHER	-	-	T0556014	-	1
33	DEPÓSITO LÍQUIDO FRENOS / BRAKE LIQUID TANK	-	-	BT280410016	-	1

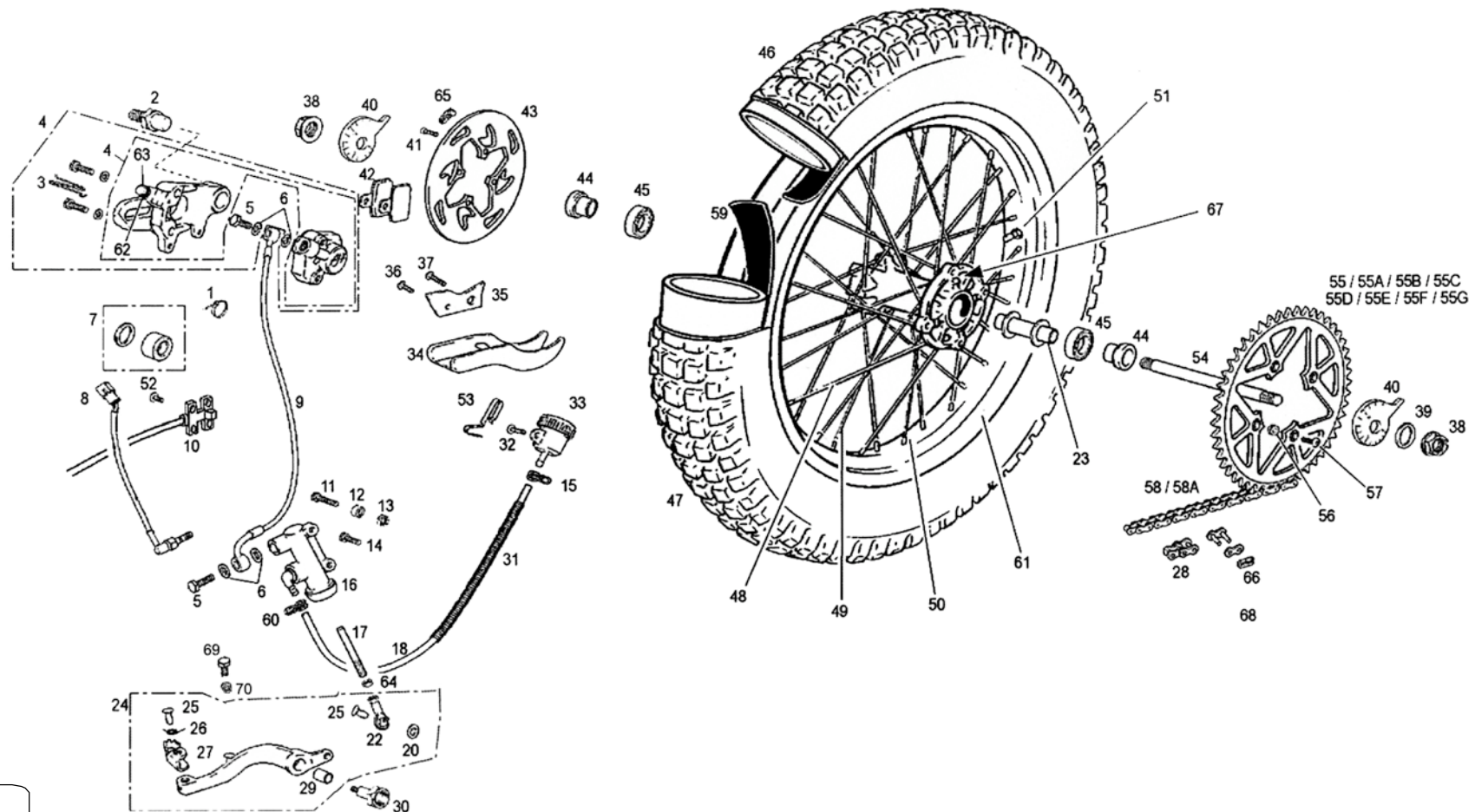
**GAS GAS**

**Chasis 10**

**Rueda trasera /  
Rear wheel**

**GAS GAS**

**TXT PRO 2010**



Nº	DESCRIPCION / DESCRIPTION	125	200	250 / 280	300	Cant.
34	PROTECTOR DISCO TRASERO 2001 / BRAKE DISC PROTECTOR	-	-	BT280128012	-	1
35	SOPORTE PROTECTOR DISCO TRASERO / BRAKE DISC PROTECTOR SUPPORT	-	-	BT280222051	-	1
36	ULS 5X12 / 5X12 ULS	-	-	T0505012	-	1
37	TORNILLO ULS 6X20 / 6X20 ULS BOLT	-	-	T0506020	-	1
38	TORNILLO EJE RUEDA TRASERA / REAR WHEEL AXLE BOLT	-	-	BT280718023	-	2
39	ARANDELA EJE TRASERO 17X30X1,5 DIN 137 / REAR WASHER	-	-	BT280436014	-	1
40	EXCÉNTRICA TRASERA IZQ. / LEFT REAR SAIL CAM ADJUSTER	-	-	BT280718022L	-	2
41	ALLEN 6X18 / 6X18 SCREW	-	-	T0206020	-	4
42	PASTILLA FRENO TRASERA / REAR BRAKE PADS	-	-	BT280222068	-	2
43	DISCO FRENO TRASERO TRIAL 2003 / REAR BRAKE DISK	-	-	BT280322012	-	1
44	DISTANCIADOR RUEDA TRASERA 7.5MM / REAR SPACER WHEEL	-	-	BT280218021	-	2
45	COJINETE 6004 / BEARING	-	-	C160001	-	2
46	CUBIERTA TRASERA 400X18 TBLS / REAR WHEEL TYRE	-	-	N200100	-	1
47	RUEDA TRASERA TRIAL / TRIAL REAR WHEEL	-	-	BT55000CT2810	-	1
48	RADIO 3.4X220 RUEDA TRASERA TRIAL / REAR SPOKE	-	-	BRT500118014	-	16
49	RADIO 3.4X215 RUEDA TRASERA TRIAL / REAR SPOKE	-	-	BRT500118015	-	16
50	TUERCA RADIOS 3.5MM. RUEDA TRASERA / REAR SPOKE NUT	-	-	BT27718016	-	32
51	VÁLVULA / AIR VALVE	-	-	N200110	-	1
52	ULS 6X10 / 6X10 ULS	-	-	T0506010	-	1
53	SOPORTE DEPÓSITO LÍQUIDO DE FRENO / BRAKE FLUID TANK SUPPORT	-	-	BT280410943	-	1
54	CTO. EJE RUEDA TRASERA CON EXCENTRICA / REAR WHEEL AXLE SET WITH CAM ADJUSTER	-	-	BT280718020CT	-	1
55	CORONA TRIAL SXX1 / SPROCKET	-	-	BT280218034	-	1
55A	CORONA Z43 / SPROCKET	-	-	BT280218024	-	1
55B	CORONA Z41 / SPROCKET	-	-	BT280318024	-	1
55C	CORONA Z44 / SPROCKET	-	-	BT120218034	-	1
55D	CORONA Z46 / SPROCKET	-	-	BT200218034	-	1
55E	CORONA Z48 / SPROCKET	-	-	BT120518034	-	1
55F	CORONA Z42 GOLD / SRPOCKETT	-	-	BT280218034AM	-	1
55G	CORONA RENTHAL / RENTHAL SPROCKET	-	-	BT280718034	BT280718034	1
56	TUERCA AUTOBLOCANTE M8 BAJA / LOW SELF-LOCK NUT	-	-	T2108001	-	1
57	ULS 8X20 PLAT. PROT. / 8X20 ULS	-	-	T0508022	-	1
58	CADENA TRIAL / TRIAL CHAIN	-	-	BT280310036	-	1
58A	CADENA TRIAL 520 RXL 104 PASOS / CHAIN	-	-	BT120210036	-	1

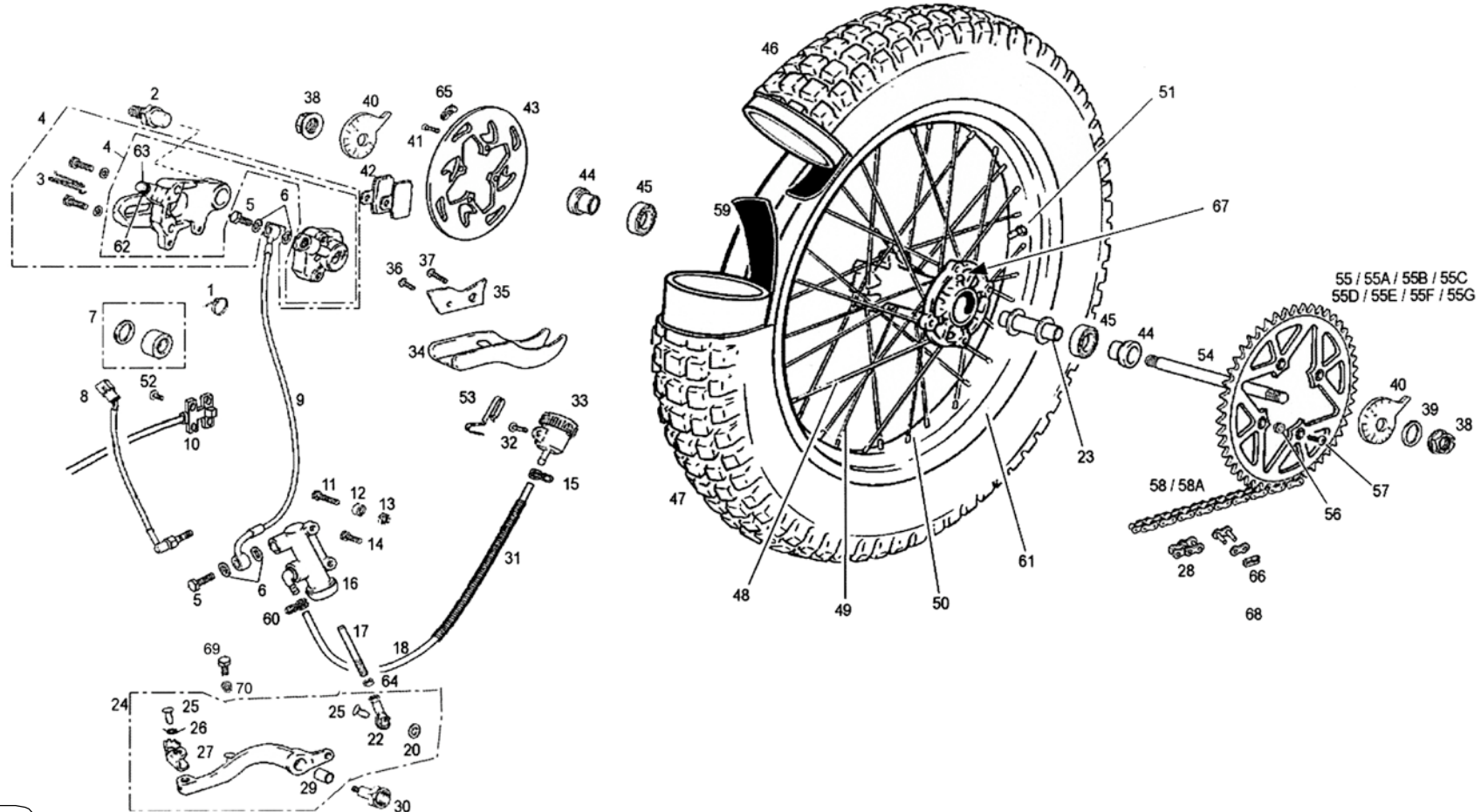
**GAS GAS**

**Chasis 10**

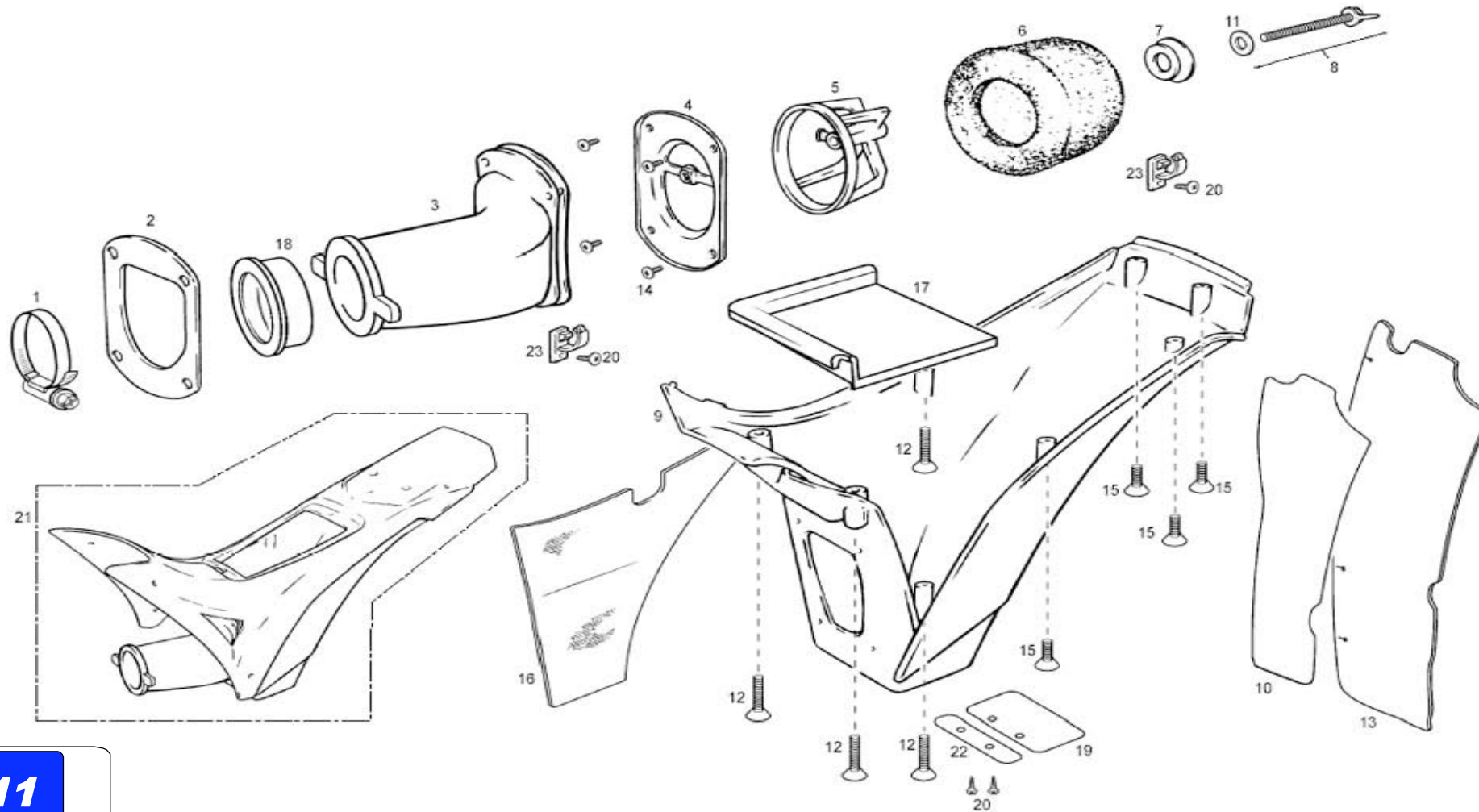
**Rueda trasera /  
Rear wheel**

**GAS GAS**

**TXT PRO 2010**

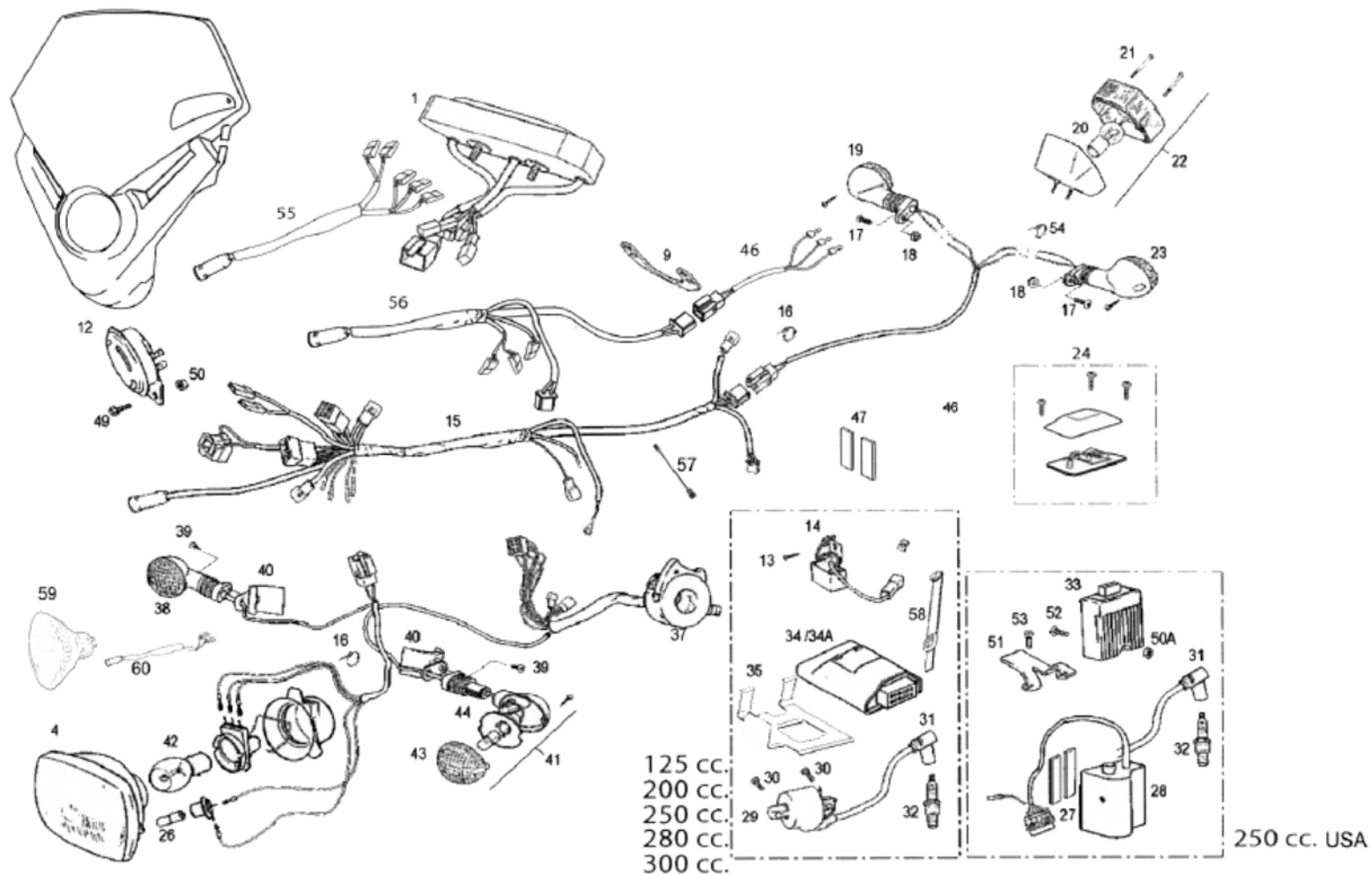








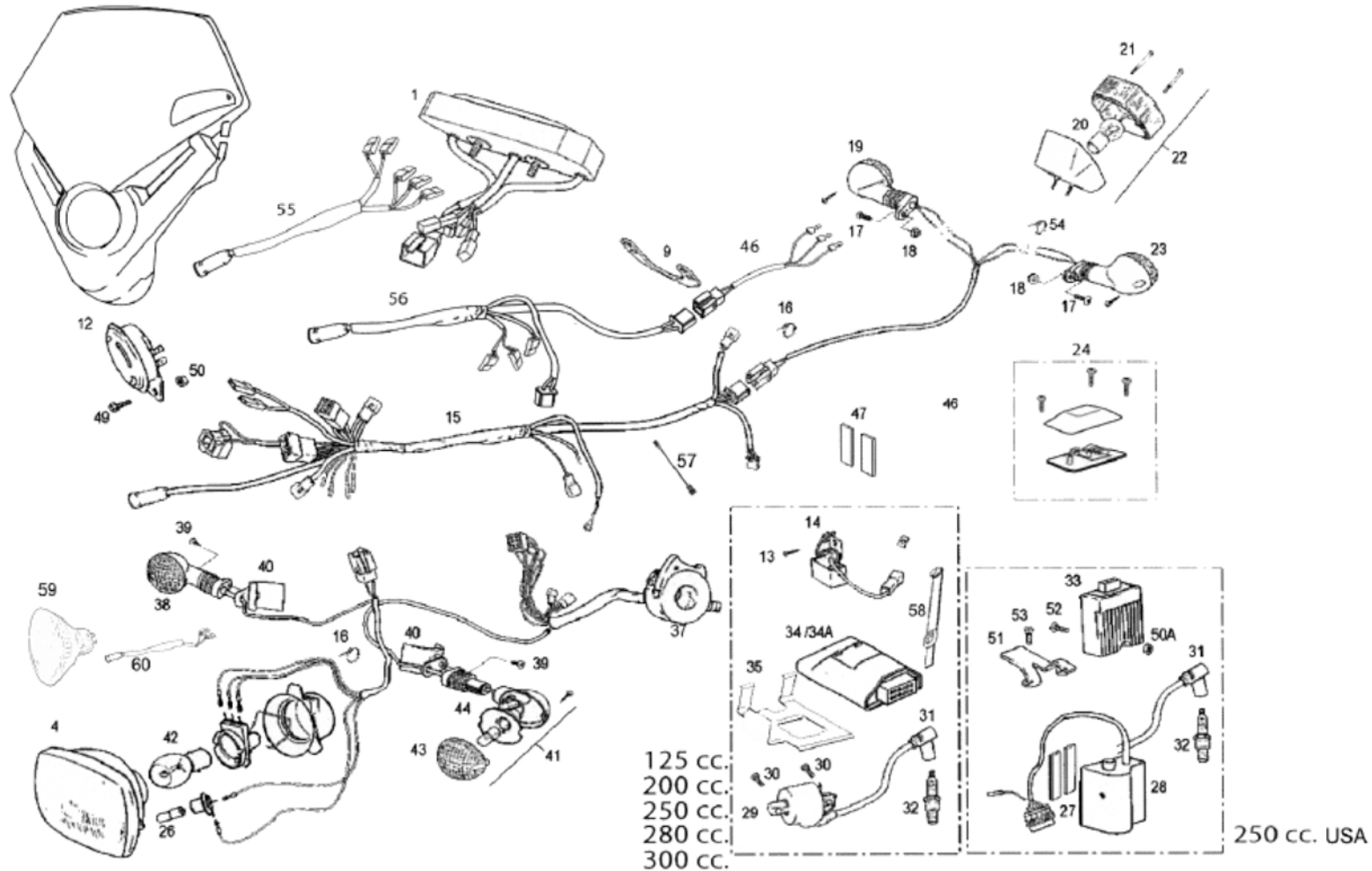




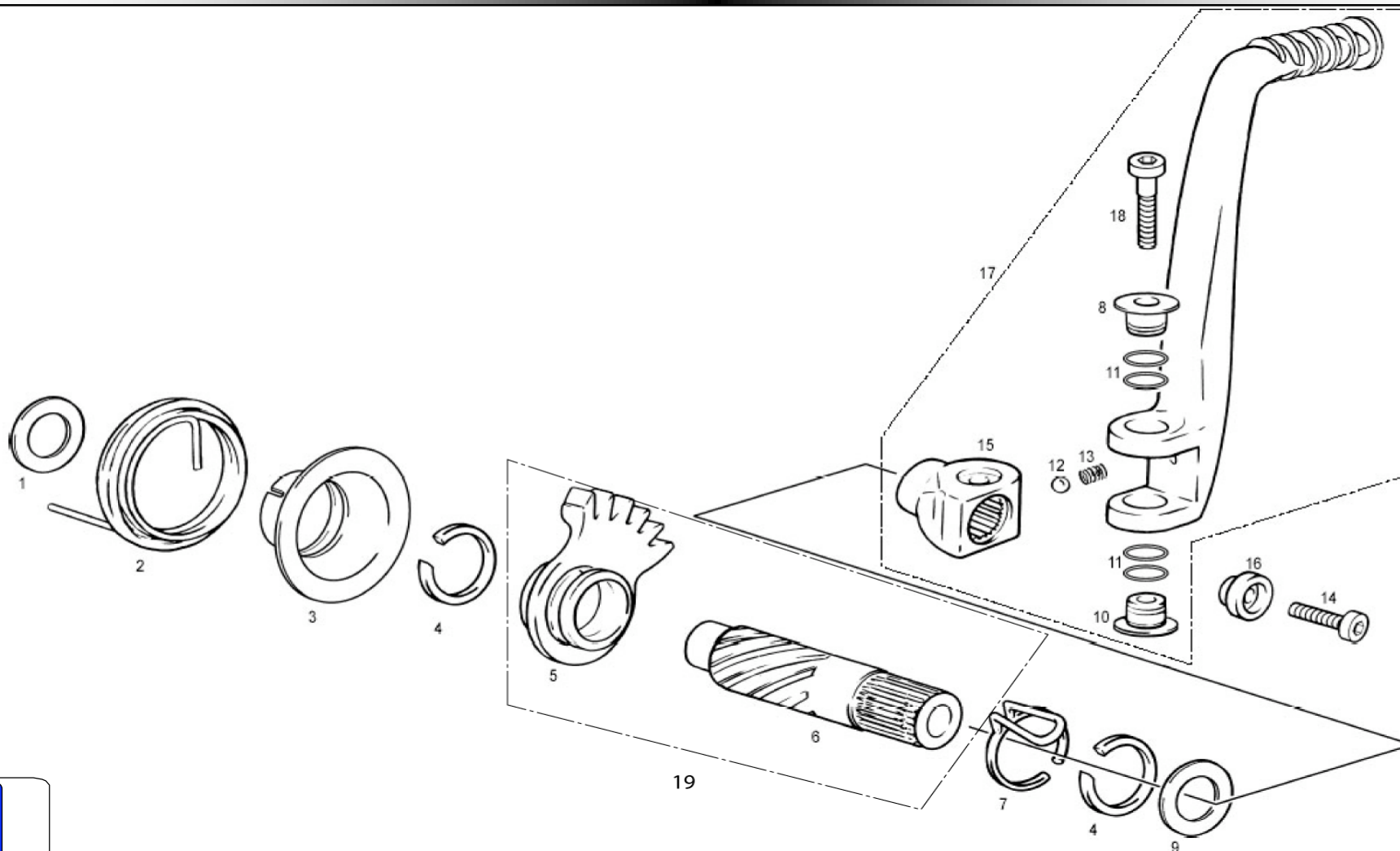
Nº	DESCRIPCION / DESCRIPTION	USA	125 RACING	125 / 200 / 280 /300	250	Cant.
1	MULTIFUNCIÓN TRIAL / TRIAL MULTIFUNCTION		-	ET600002808	-	1
7	BOMBILLA 12V 1,2-9W / 12V 1,2-9W BULB		L300123	L300123	L300123	3
9	SOPORTE CUENTA KM. / KM. COUNTER SUPPORT		-	-	BT280634045	1
12	CTO. CLAXON PE40065G11 / HORN ASSY		L300105	-	L300105	1
13	TORNILLO ESPECIAL 6X14 / 6X14 SPECIAL SCREW	T0206014	T0206014	T0206014	-	1
14	REGULADOR ALTERNADOR / ALTERNATOR REGULATOR	L300031	L300031	L300031	-	1
15	INSTALACIÓN TRIAL / TRIAL INSTALLATION		BT280634014	BT280634014	BT280634014	1
16	BRIDA UNEX MEDIANA / UNEX CLAMP	BE25634009	BE25634009	-	BE25634009	3
17	ULS 6X16 NEGRO / 6X16 ULS BLACK BOLT		T0506016N	-	T0506016N	2
18	TUERCA CON ARANDELA M6 / M6 NUT WITH WASHER		T2206000	-	T2206000	2
19	INTERMITENTE DERECHO TRASERO / RIGHT REAR INDICATOR		-	BT280634018	-	1
20	BOMBILLA 12V 5-21W / 12V 5-21W BULB		L300116	-	L300116	1
21	CRISTAL FARO TRASERO HOMOLOGADO / HOMOL. REAR LIGHT CAP		BP25734115	-	BP25734115	1
22	FARO PILOTO TRIAL HOMOLOGADO / HOMOL. TRIAL REAR LIGHT SET		BP27534015	-	BP27534015	1
23	INTERMITENTE IZQUIERDO TRASERO / LEFT REAR INDICATOR		-	BT280634019	-	1
24	FARO PILOTO TRIAL / TRIAL REAR LIGHT SET	EE300002808	EE300002808	-	EE300002808	1
25	TORNILLO ROSCA CHAPA 3.5X13 / BOLT 3.5X13	T0603513	T0603513	-	T0603513	3
26	LÁMPARA 12V3W BIFARO AM0518 / 12V 3W LAMP		L300119	-	L300119	1
27	TIRA ADHESIVA 45MM. CAJA FILTRO EC2003 / STICKER 45MM.		-	-	BE250328039	2
28	CTO. CDI 432 40 2402 TRIAL PRO RACING / CDI 432		-	-	MT250734007CT	1
29	BOBINA KOKUSAN IG3815 / KOKUSAN ELECTRIC COIL	M02812110	M02812110	M02812110	-	1
30	ALLEN 6X16 / ALLEN 6X16 BOLT	T0306016	T0306016	T0306016	-	3
31	PIPA BUJÍA IB05EMH = BT27934000 / SPARK PLUG	BT280634000	BT280634000	-	BT280634000	1
32	BUJÍA BPR5ES / SPARK PLUG	M04012000	M04012000	-	M04012000	1
33	REGULADOR RECTIFICADOR DUCATI / REGULATOR		-	-	MT300534009	1
34	CDI DIGITAL CU77516 TRIAL 125/200 2005 / TRIAL 2005 DIGITAL CDI	MT120534007 ( 125,200)	MT120534007 ( 125,200)	MT120534007 ( 125,200)	-	1
34A	CDI DIGITAL CU7510 TRIAL 250/280 2005 / TRIAL 2005 DIGITAL CDI	MT280534007 (280,300)	-	MT280534007 (280,300)	-	1
35	SOPORTE CDI / CDI SUPPORT		ET551002809	-	-	1
36	ALLEN 6X14 / 6X14 ALLEN		-	T0306014	T0306014	1
37	CONMUTADOR LUZ TT-97 / LIGHT SWITCH	ET602002808	ET602012808	ET602012808	ET602012808	1
38	INTERMITENTE DERECHO DELANTERO / FRONT RIGHT INDICATOR		-	BT280634018	-	1
39	TORNILLO PHILIPS ROSCA-CHAPA 6.3x16 NEGRO / 6.3X16 CLACK SCREW		T0706316	-	T0706316	2
40	SOPORTE INTERMITENTE DELANTERO / FRONT INDICATOR SUPPORT		BE250134017	-	BE250134017	2

**GAS GAS**

**Chasis 12**

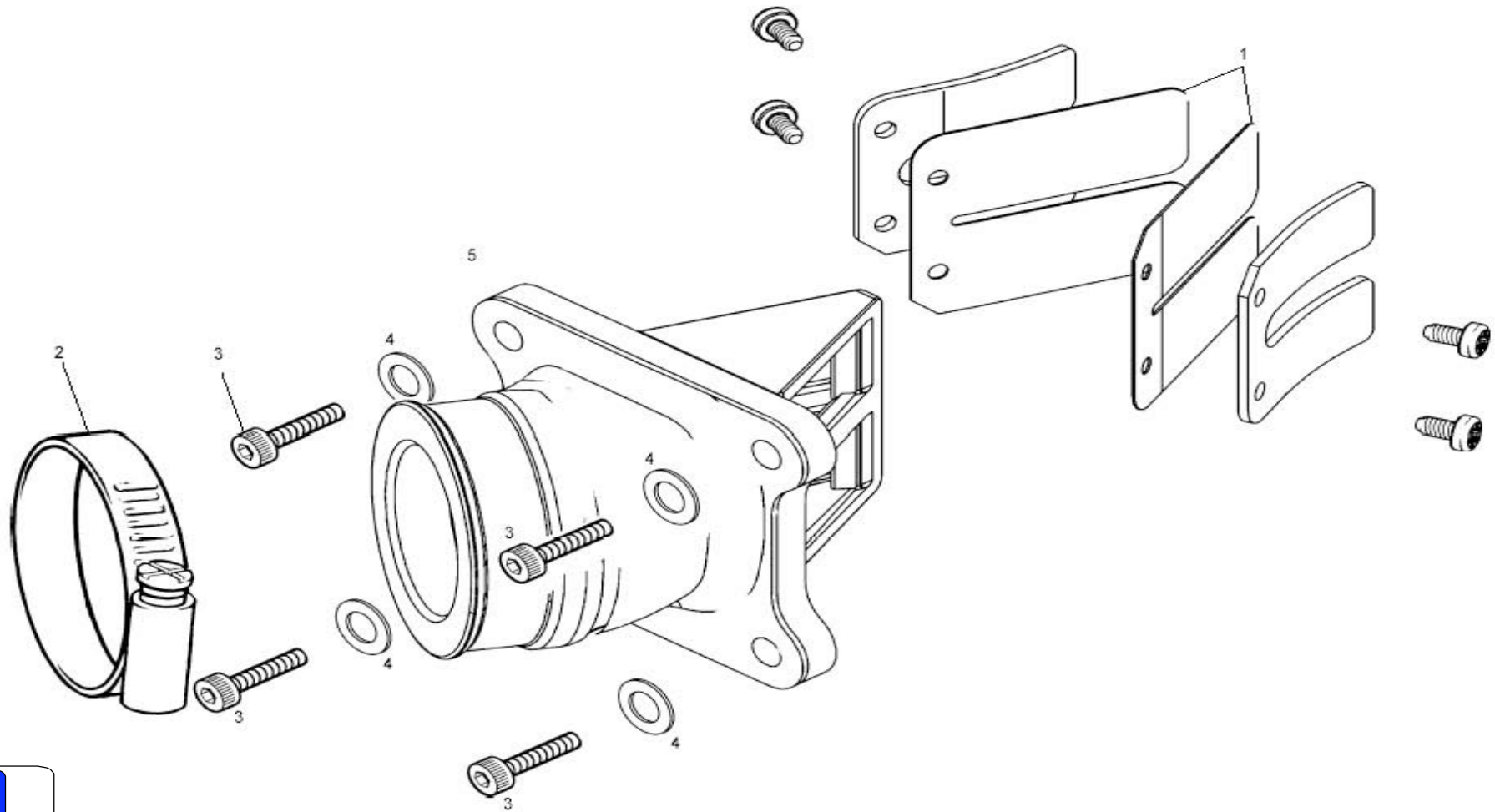


N°	DESCRIPCION / DESCRIPTION	USA	125 RACING	125 / 200 / 280 / 300	250	Cant.
41	INTERMITENTE IZQUIERDO DELANTERO / FRONT LEFT INDICATOR		-	BT280634019	-	1
42	BOMBILLA 12V 35W/35 (1221) / 12V 35W/35 LAMP		L300122	-	L300122	4
43	CRISTAL INTERMITENTE / INDICATOR COVER		BE250134120	-	BE250134120	4
44	LÁMPARA 12V15W CASQUETE / 12V15W LAMP		L300115	-	L300115	4
45	ÓPTICA FARO HOMOLOGADO / HEADLIGHT		BT280120022	BT280120022	BT280120022	1
46	INST. ALARGO PILOTO TRASERO TRIAL PRO HOMOL. / INSTALLATION	ET300102808	BT280434016	BT280434016	BT280434016	1
47	ESPUMA PROTECTORA CDI KOKUSAN TRIAL PRO 2005 / CDI PROTECTOR	MT280534023	MT280534023	MT280534023	-	2
48	TUERCA 956 RÁPIDA M6 0212827-99 / NUT	T2606000	T2606000	T2606000	-	1
49	ULS 6X10 C/ARANDELA PLATA / ULS 6X10 BOLT	T0556010	T0556010	-	T0556010	1
50	TUERCA AUTOBLOCANTE BAJA M6 (DIN985) / M6 NUT	T2106001	T2106001	-	T2106001	1
50A	TUERCA AUTOBLOCANTE BAJA M6 (DIN985) / M6 NUT			-	T2106001	1
51	SOPORTE CDI DUCATI / CDI SUPPORT			-	BT300434107	1
52	ULS 6X16 / ULS 6X16 BOLT	T0506016	T0506016	-	T0506016	1
53	ALLEN 6X14 / NUT M6	T0306014	T0306014	-	T0306014	1
54	BRIDA NYLON 3.6X140 LAT.EMBRAGUE / ALLEN BOLT 6X14		BE250022031	-	BE250022031	1
55	CONECTOR LUZ RACING / RACING FRONTLIGHT	ET203002808				1
56	INSTALACIÓN RACING TRIAL / TRIAL RACING INSTALLATION	ET10000RC2808				1
57	ALARGO CONECTOR BOBNA / BOBINE WIRE EXTENSION	ET501002809	-	-	-	1
58	GOMA SUJECION CDI /	BE250034100	-	-	-	1
59	OPTICA 20 LEDS FARO RACING / OPTICS 20 LEDS LIGHTHOUSE RACING	ET20000RC2808				1
60	CABLE ADAPTADOR OPTICA FARO RACING / ADAPTER CABLE LIGHTHOUSE RACING OPTICS	ET203002808				1



Nº	DESCRIPCION / DESCRIPTION	PRO2007	Cant.
1	ARANDELA 14X25X0,5 / 14X25X0,5 WASHER	T4001425	1
2	MUELLE ARRANQUE TRIAL / PEDAL KICKSTART SPRING	MT280226007	1
3	CENTRADOR MUELLE ARRANQUE / KICKSTART SPRING BUSHING	MT280226053	1
4	CIRCLIP EJE 18 MM / AXIS CIRCLIP	MT280226017	2
5	PIÑÓN ARRANQUE TRIAL 2002 / KICKSTART GEAR	MT280226002	1
6	EJE ARRANQUE TRIAL 2002 / KICKSTARTER SHAFT	MT280226003	1
7	MUELLE FRICCIÓN ARRANQUE / FRICTION KICKSTART SPRING	MT280226006	1
8	CASQUILLO PEDAL ARRANQUE / KICKSTART PEDAL BUSHING	MT280226066	1
9	ARANDELA 18,2X24X0,5 / 18,2X24X0,5 WASHER	T4001824	1
10	TUERCA PEDAL ARRANQUE / KICKSTART PEDAL NUT	MT280226065	1
11	TÓRICA NBR 12X1 / NBR O'RING	MT280226063	4
12	BOLA MUÑEQUILLA PEDAL / KICKSTART PEDAL BALL	ME250036062	1
13	MUELLE MUÑEQUILLA PEDAL / KICKSTART PEDAL SPRING	ME250036066	1
14	TORNILLO UFK M6X25 / M6X25 UFK SCREW	T0316025	1
15	MUÑEQUILLA PEDAL ARRANQUE / KICKSTART PEDAL BASE	MT280226061	1
16	CASQUILLO SUJECIÓN PEDAL / KICKSTART PEDAL BUSHING	MT280226068	1
17	CTO. PEDAL ARRANQUE TRIAL 2004 / KICKSTART PEDAL COMPLETE	MT280626060	1
18	ALLEN M6X35 / M6X35 ALLEN BOLT	T0306035	1
19	CTO.EJE Y PIÑÓN ARRANQUE / SHAFT AND STARTING PINION	MT280226002R	1

**GAS GAS** **Motor 1**



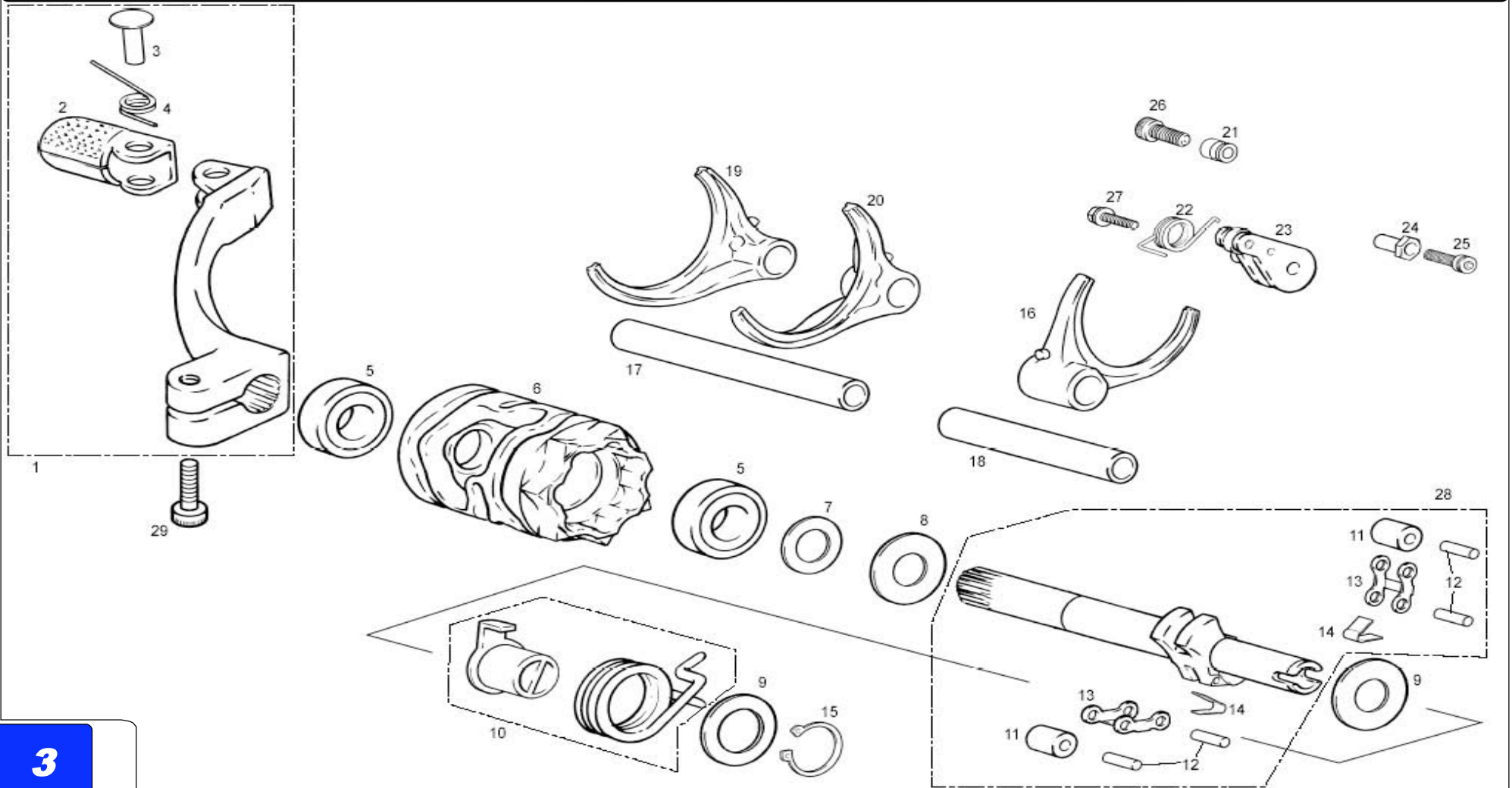




**Selector de cambio /  
Shift cam**

**GAS GAS**

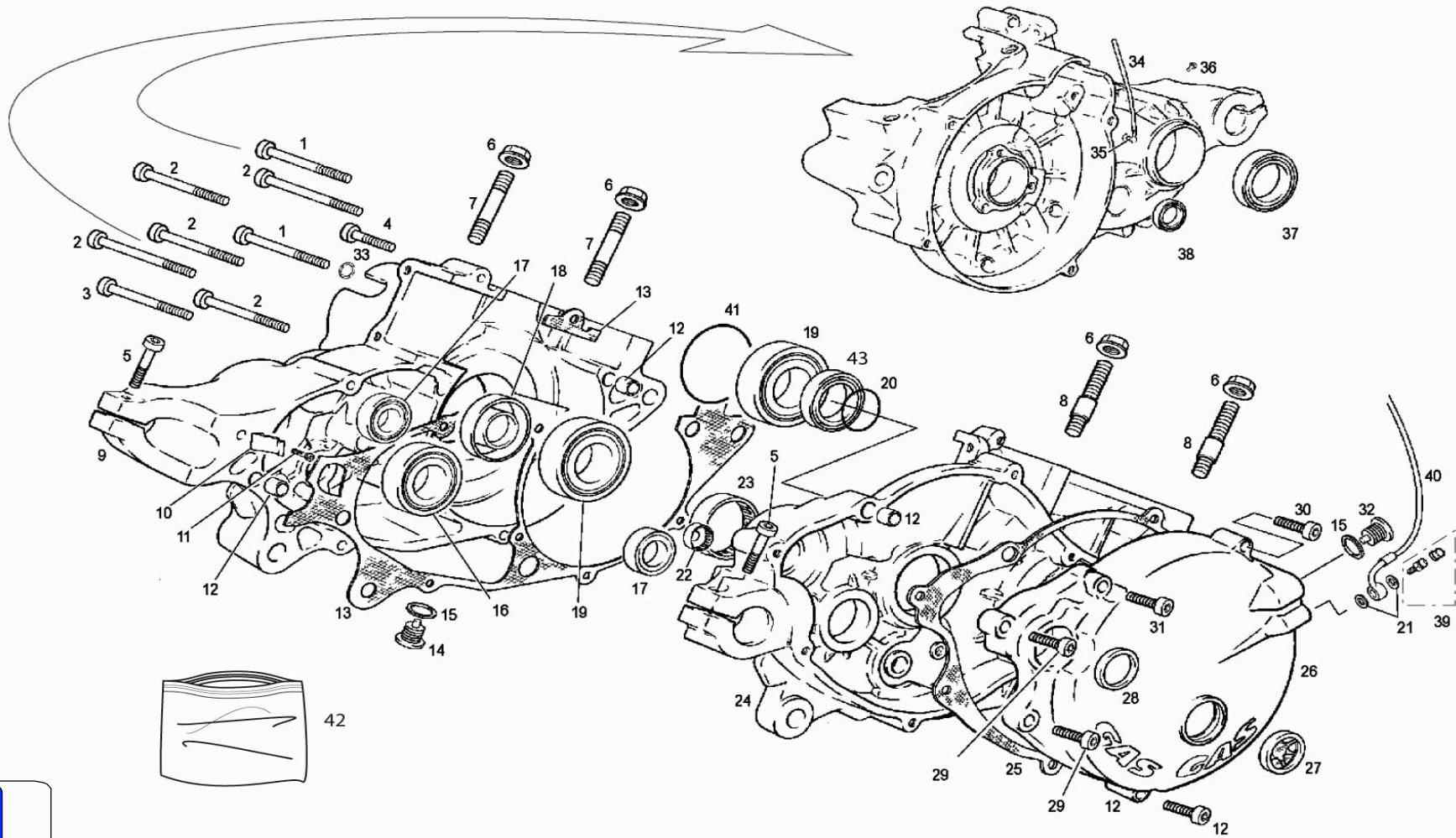
**TXT PRO 2010**



Nº	DESCRIPCION / DESCRIPTION	PRO2007	Cant.
1	CTO. PEDAL CAMBIO / GEAR PEDAL COMPLETE	MT280238026	1
2	PUNTERA PEDAL CAMBIO / GEAR PEDAL END	ME25636027	1
3	REMACHE PUNTERA CAMBIO / RIVOT PEDAL END	ME25636030	1
4	MUELLE PUNTERA PEDAL CAMBIO / PEDAL END SPRING	M121000	1
5	COJINETE 12X24X6 2Z DESMO / 12X24X6 2Z DESMO BEARING	MT280238032	2
6	DESMODRÓMICO / SHIFT DRUM	MT280238031	1
7	ARANDELA 12,2X18X0,5 / 12,2X18X0,5 WASHER	T4001218	1
8	ARANDELA 12,2X24X0,5 / 12,2X24X0,5 WASHER	T4001224	1
9	ARANDELA 10,2X24X0,5 / 10,2X24X0,5 WASHER	T4011024	2
10	POSICIONADOR Y MUELLE EJE SELECTOR / SHIFT SHAFT CENTER LOCATOR AND SPRING	MT280238037CT	1
11	RODILLO TRINQUETE SELECTOR / RATCHET ROLLER	MT280238040	2
12	AGUJA 3X13,8 / 3X13,8 NEEDLE	MT280238048	4
13	TRINQUETE SELECTOR / RATCHET ARM SELECTOR	MT280238036	2
14	MUELLE TRINQUETE SELECTOR / RATCHET SEL. SPRING	MT280238039	2
15	CIRCLIP E10 EJE / E10 SHAFT CIRCLIP	M03314011	1
16	HORQUILLA PRIMARIA / SHIFT FORK PRIMARY	MT280238009	1
17	EJE HORQUILLA LARGO / LONG FORK SHAFT	MT280238044	1
18	EJE HORQUILLA CORTO / SHORT FORK SHAFT	MT280238045	1
19	HORQUILLA 2-4-5-6 / 2-4-5-6 FORK	MT280238007	1
20	HORQUILLA 1-3 / 1-3 FORK	MT280238008	1
21	TOPE MUELLE FIJADOR / SPRING REST POST	MT280238049	1
22	MUELLE FIJADOR MARCHAS / GEAR SELECTOR SPRING	MT280238034	1
23	FIJADOR MARCHAS / GEAR SELECTOR ARM AND ROLLER	MT280238033	1
24	TOPE MUELLE EJE SELECTOR / SELECTOR SPRING TOP SHAFT	MT280238050	1
25	ALLEN 5X25 DACROMET / 5X25 DACROMET ALLEN BOLT	T0305025	1
26	ALLEN 5X20 / 5X20 ALLEN	T0305020	1
27	HEXAGONAL 5X25 CON ARANDELA / HEXAGONAL BOLT WITH WASHER	BT280010086	1
28	CONJUNTO EJE SELCTOR / SHIFT SHAFT SET	MT280238043	1
29	ALLEN 5X15 / 5X15 ALLEN	T0305015	1

**GAS GAS**

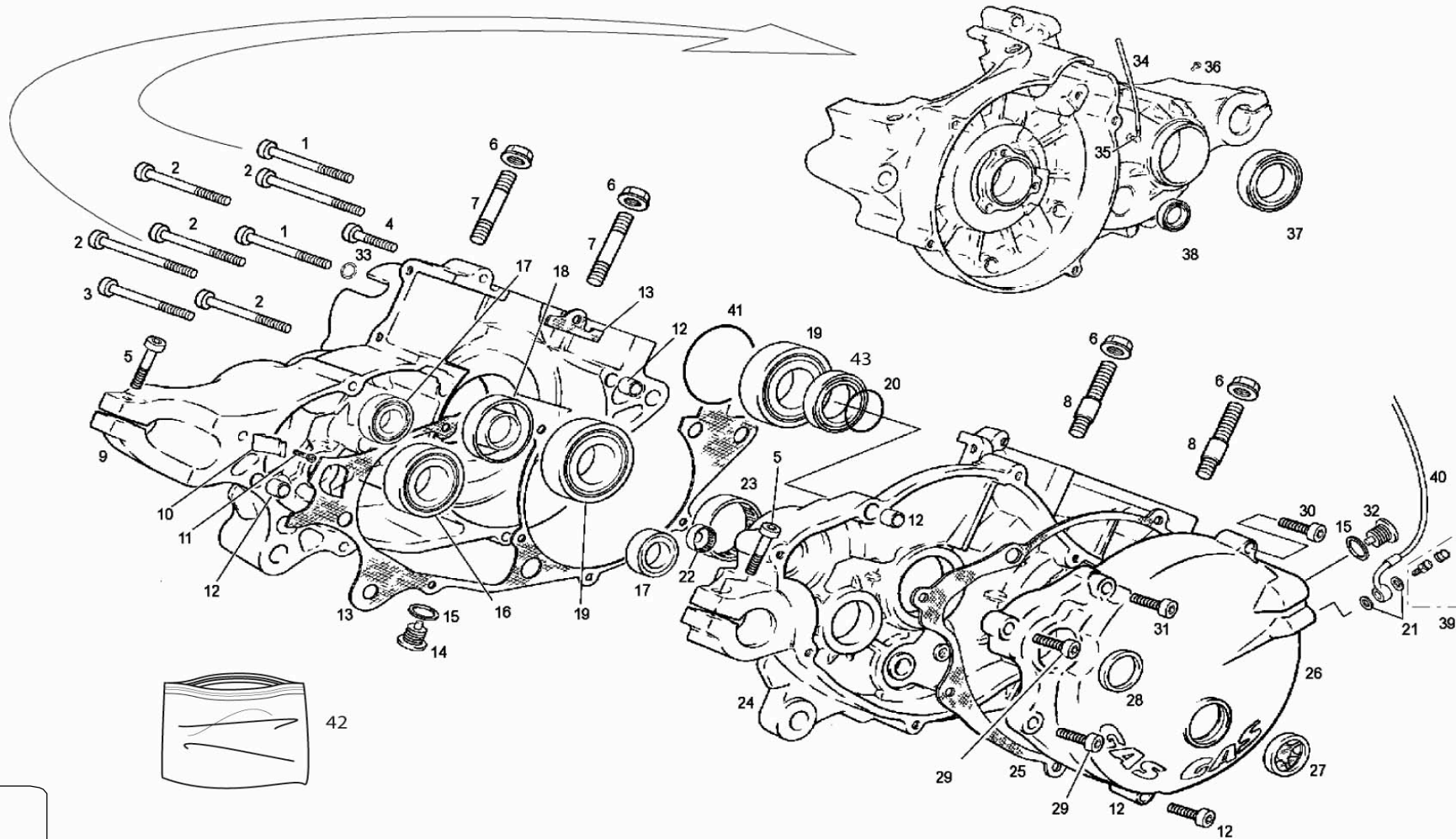
**Motor 3**



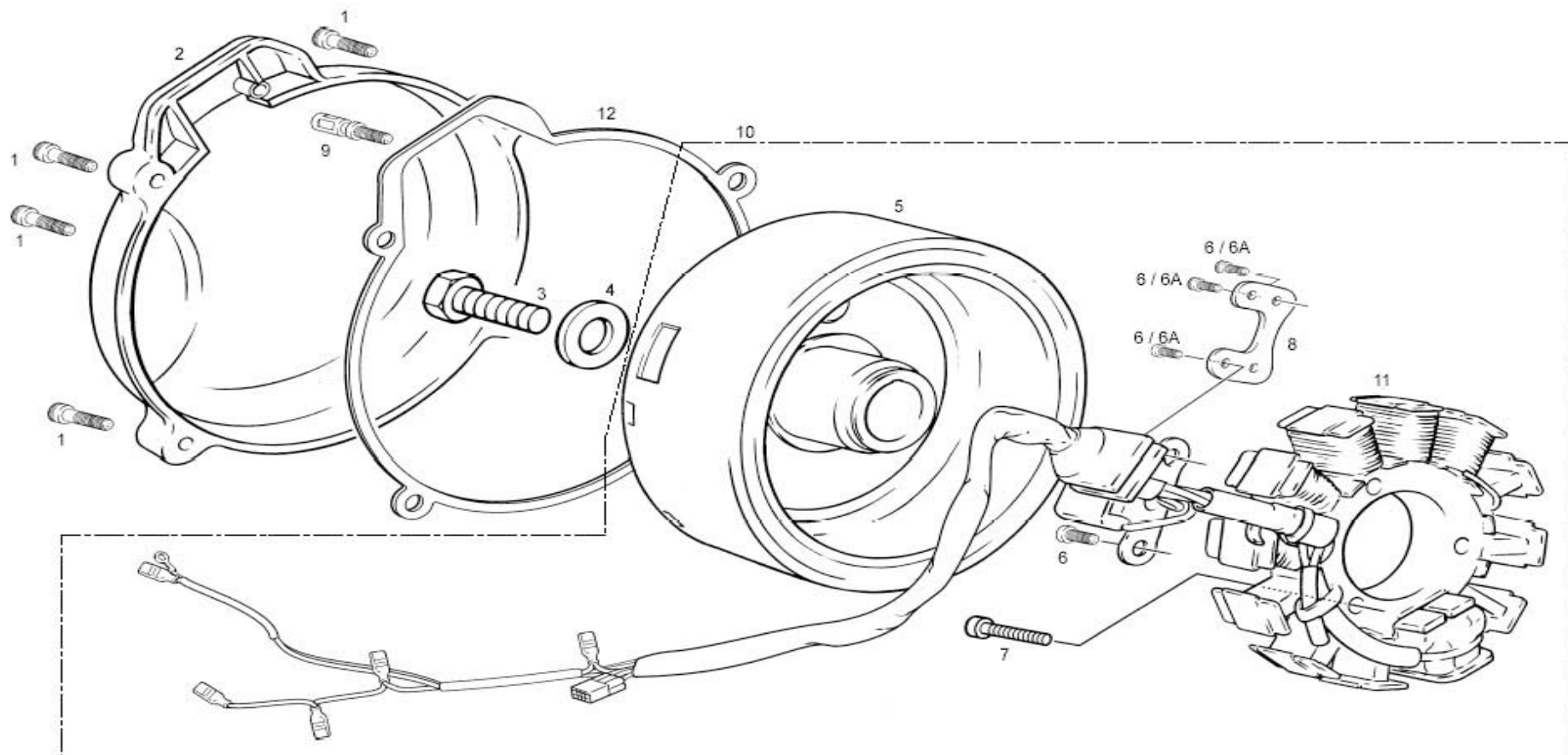
Nº	DESCRIPCION / DESCRIPTION	PRO2007	Cant.
1	ALLEN 5X65 ZINCADO NEGRO / 5X65 BLACK ALLEN BOLT	T0315065	2
2	ALLEN 5X55 ZINCADO NEGRO / 5X55 BLACK ALLEN BOLT	T0305055	5
3	ALLEN 5X75 ZINCADO NEGRO / 5X75 BLACK ALLEN BOLT	T0315075	1
4	ALLEN 5X35 DACROMET / 5X35 DACROMET ALLEN BOLT	T0305035	1
5	ALLEN 5X20 DACROMET / 5X20 DACROMET ALLEN BOLT	T0305020	2
6	TUERCA CILINDRO 8.8 ESP / CILINDER NUT	M01613001	4
7	ESPÁRRAGO CILINDRO / BASE STUD CYLINDER LEFT	MT280216023	2
8	ESPÁRRAGO CON CENTRAJE / BASE STUD CYLINDER RIGHT	MT280216056	2
9	CÁRTER MG. IZQUIERDO TRIAL 2003 / LEFT CRANKCASE HALF	MT280710001	1
10	TOPE ARRANQUE TRIAL / STOP KICKSTART PEDAL	MT280226011	1
11	ALLEN 5X15 DACROMET / 5X15 DACROMET ALLEN BOLT	T0305015	1
12	CASQUILLO CENTRADOR CÁRTER 6X9X14 / CRANKCASE BUSHING	M01017000	4
13	JUNTA CÁRTER CENTRAL 0.2 MM / CENTER CRANKCASE GASKET	MT280344001	1
14	TAPÓN VACIADO ACEITE CON IMÁN / MAGNETIC OIL DRAIN PLUG	ME25610017	1
15	ARANDELA TIPO BUJÍA 12X18X2 / WASHER	MT280410030	2
16	COJINETE 25X47X12 / 25X47X12 / BEARING	MT280236159	1
17	COJINETE 15X32X9 6002 2RSL CAMBIO / BEARING GEAR	MT280236160	2
18	RETÉN 25X35X7 TEFLÓN CIGUEÑAL IZQUIERDO / OIL SEAL CRANK SHAFT	MT280212009	1
19	COJINETE CIGUEÑAL ST5225 / ST5225 CRANKSHAFT BEARING	MT280412006	2
20	TÓRICA 25X1.5 NBR / O-RING	MT280212025	2
21	ARANDELA AM 10X14X1.5 / WASHER	BT280422007	2
22	COJINETE BK1412 ARRANQUE TRIAL / KICKSTART BEARING	MT280226067	1
23	COJINETE 35X45X12 NQ (EJE PRIMARIO) / 35X45X12 BEARING	MT280236158	1
24	CÁRTER MG DERECHO TRIAL 2003 / RIGHT CRANKCASE	MT280710000	1
25	JUNTA TAPA EMBRAGUE / CLUTCH COVER GASKET	MT280244002	1
26	TAPA EMBRAGUE MG TRIAL / CLUTCH COVER	MT280732001	1
27	VISOR NIVEL ACEITE EC400-4T / OIL LEVEL SIGHT GLASS	MFS400110015	1
28	RETÉN 18-24-4 TRIAL 2002 / 18-24-4 4 KICKSTART SHAFT SEAL	MT280226016	1
29	ALLEN 5X25 DACROMET / 5X25 DACROMET ALLEN BOLT	T0305025	2
30	ALLEN 5X30 DACROMET / 5X30 DACROMET ALLEN BOLT	T0305030	2
31	ALLEN 5X40 DACROMET / 5X40 DACROMET ALLEN BOLT	T0305040	1
32	TAPÓN LLENADO ACEITE / OIL FILL PLUG	M01016002	1
33	ARANDELA 5X9X1,5 COBRE / 5X9X1,5 WASHER	T4000509	1

**GAS GAS**

**Motor 4**



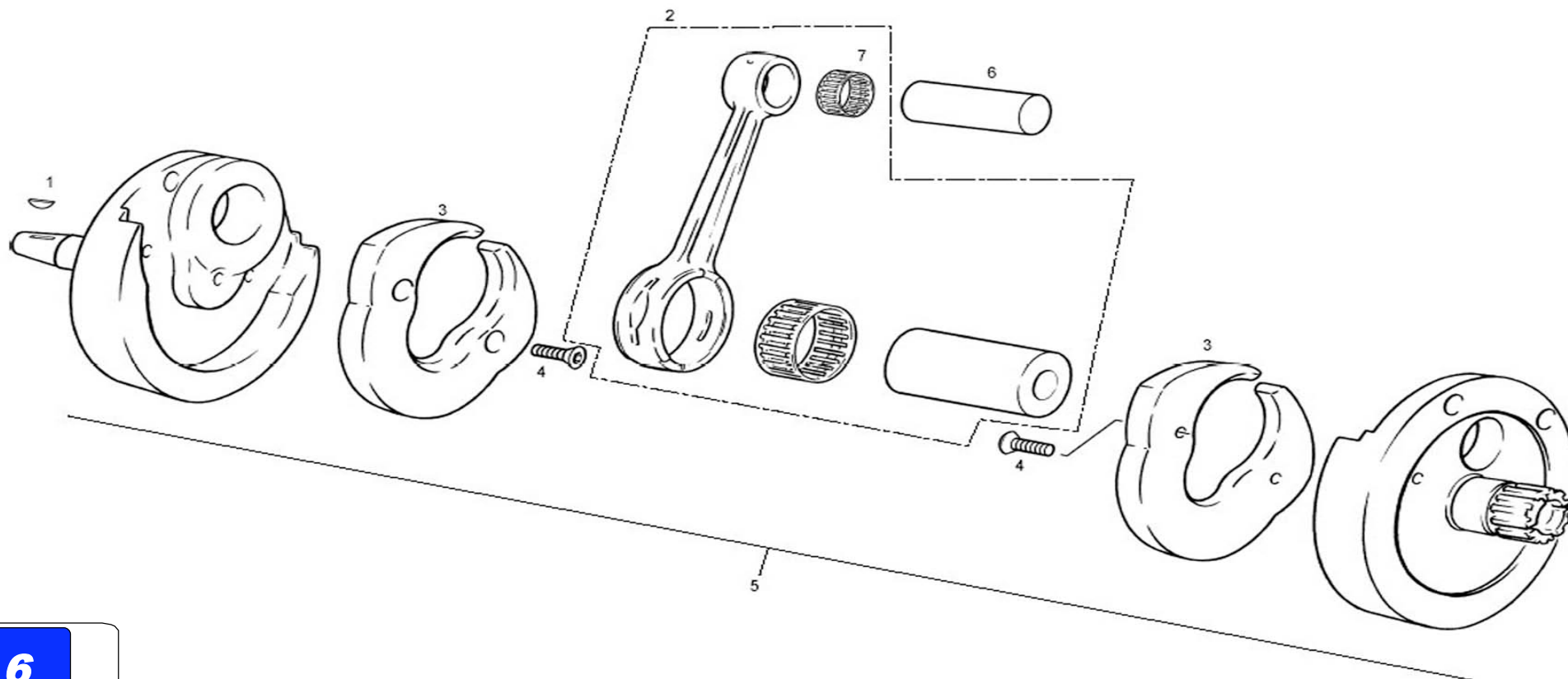
Nº	DESCRIPCION / DESCRIPTION	PRO2007	Cant.
34	TUBO DESVAPORIZADOR / DESVAP. HOSE	MT280210012	1
35	DESVAPORIZADOR / DESVAP.	MIT50010012	1
36	TAPÓN PASO ACEITE CÁRTER / OIL CARTER PLUG	MT280210021	1
37	RETÉN 30X40X7 / 30X40X7 SEAL	ME25636024	1
38	RETÉN EJE SELECTOR / AXLE SEAL	MT280236048	1
39	RACORD PINZA EMBRAGUE HIDRÁULICO / HIDRAULIC CLUTCH RACORD	M01060000	1
40	LATIGUILLO EMBRAGUE / CLUTCH HOSE	BT280522003	1
41	TÓRICA COJINETE CIGU. 49X1.5 NBR / O'RING 49X1.5 NBR	MT280512028	2
42	KIT JUNTAS TXT PRO / TXT PRO GASKET SET	MT280244100	1
43	RETIEN CIGÜEÑAL / CRANK SHAFT SEAL	MT280412006/1	1



Nº	DESCRIPCION / DESCRIPTION	USA	125 / 200	250	280 / 300	Cant.
1	ALLEN 5X20 / 5X20 ALLEN BOLT	T0305020N	T0305020N	T0305020N	T0305020N	5
2	TAPA ENCENDIDO TRIAL SXXI / COVER FLY-WHEEL	MT280710004	MT280710004	MT280710004	MT280710004	1
3	TORNILLO M10X25 / M10X25 SCREW	T0101025/2	T0101025/2	T0101025/2	T0101025/2	1
4	ARANDELA GRUESA 10X23X4 / 10X23X4 WASHER	T4001024	T4001024	T4001024	T4001024	1
5	VOLANTE MAGNETICO DIGITAL / DIGITAL IGNITION FLY-WHEEL			MT30034005		1
6	ALLEN UFK 5X10 / UFK 5X10 ALLEN BOLT		T0315010			3
6A	ALLEN UFK 5X10 / UFK 5X10 ALLEN BOLT			T0315010	T0315010	1
7	ALLEN UFK NEGRO 5X25 / UFK 5X25 BLACK ALLEN BOLT		T0315025N	T0315025N	T0315025N	3
8	ADAPTADOR PICK / PICK ADAPTATOR		MT120234017			1
9	TORNILLO PICK UP TRIAL 2003 / PICK UP TRIAL 2003 SCREW		MT280334018	MT280334018	MT280334018	1
10	CTO. ENCENDIDO PRO 2005 / IGNITION SET		MT120534005		MT280534005	1
11	STATOR 431 73 0702 / STATOR			MT250734008		1
12	JUNTA TAPA VOLANTE ENCENDIDO / COVER FLY WHEEL GASKET		MT280344004	MT280344004	MT280344004	1

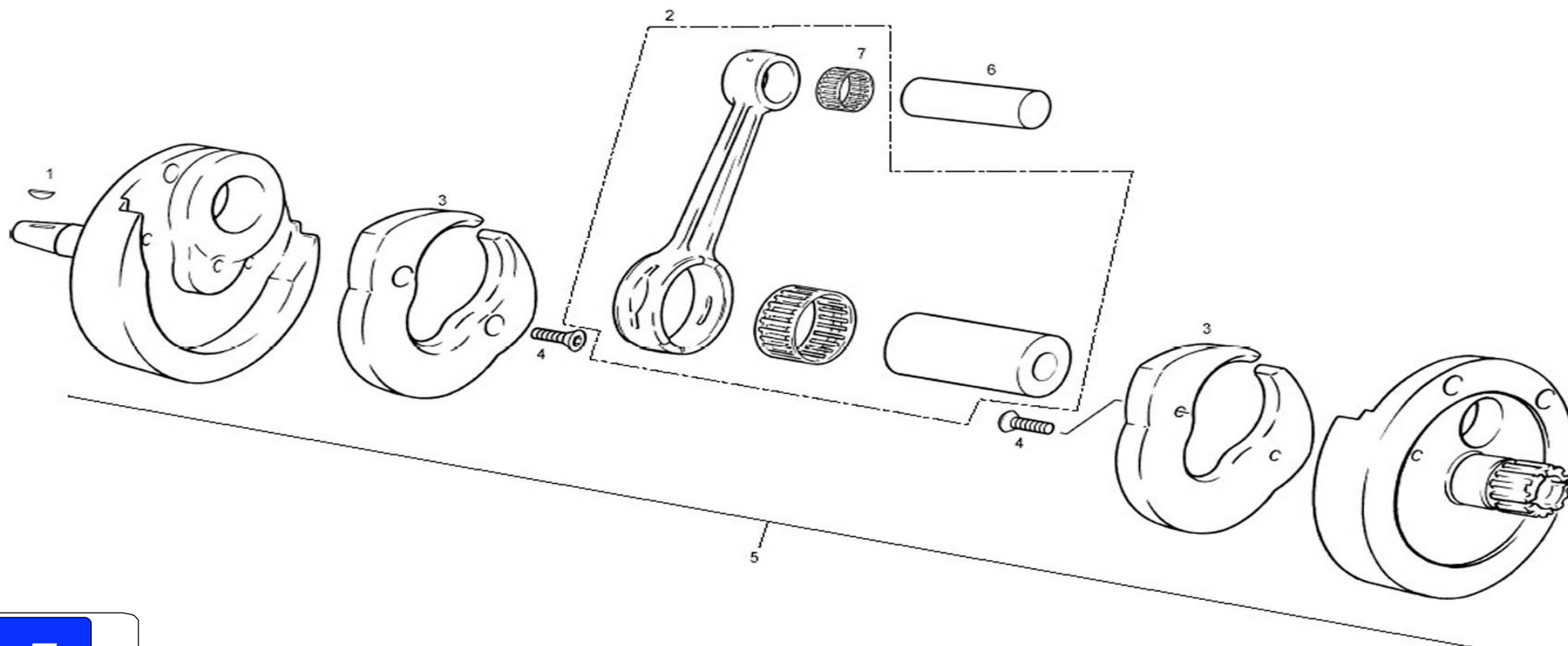


**125 cc / 200 cc**

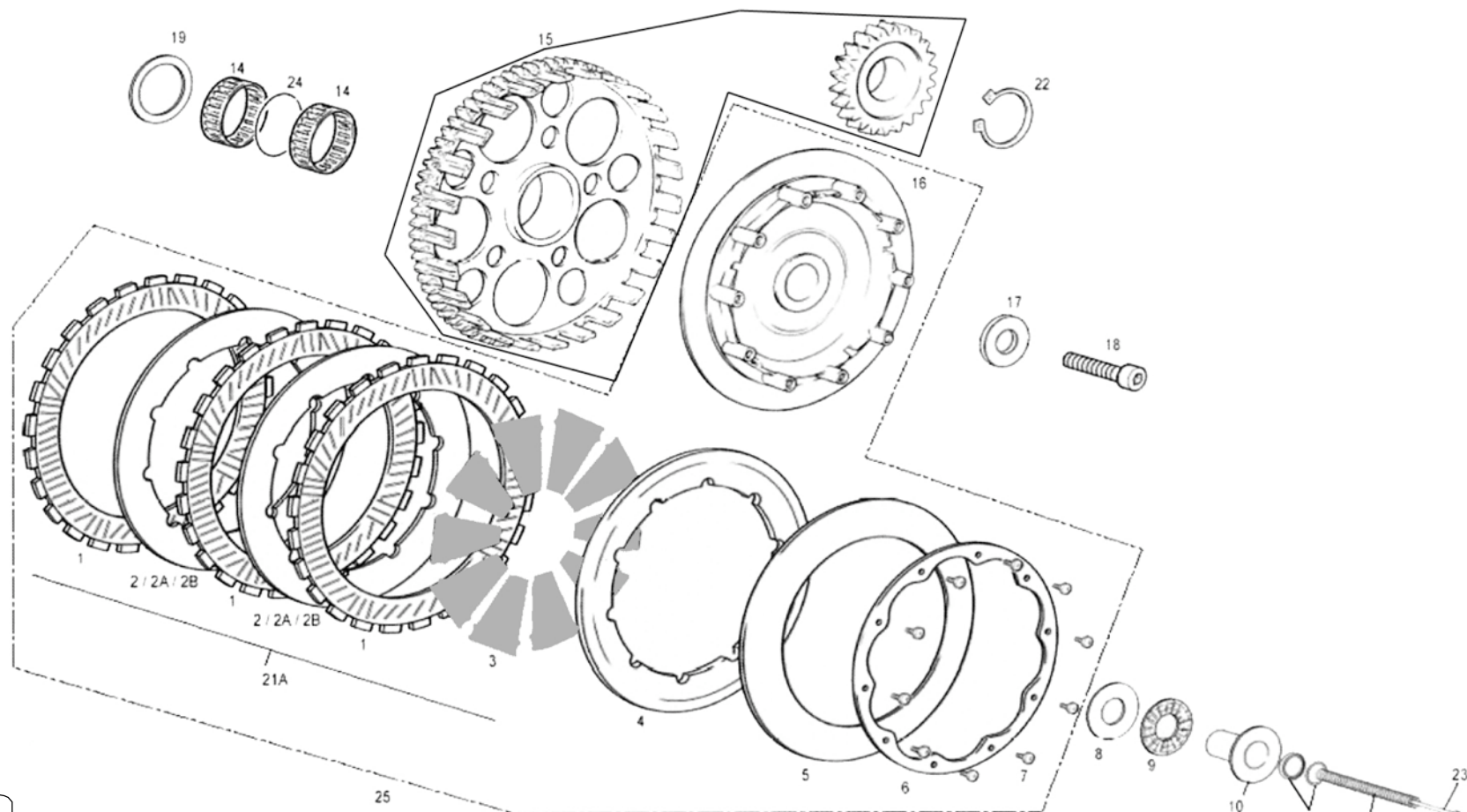


Nº	DESCRIPCION / DESCRIPTION	125	200	Cant.
1	CHAVETA D10X3X3.7 TRIAL 2002 / D10X3X3.7 KEY	MT280234016	-	1
2	CONJUNTO BIELA / CONNECTING ROD KIT, REPAIR	MT120212100	-	1
3	NYLON CONTRAPESO / CONTERWEIGHT NYLON	MT120212021	-	2
4	ALLEN CÓNICO UN15933 M6X16 / M6X16 ALLEN BOLT	T0406016	-	4
5	CTO. CIGÜEÑAL TRIAL SXXI / CRANK SHAFT ASSEMBLY COMPLETE	MT120212000	-	1
6	BULÓN PISTÓN TRIAL / PIN TRIAL PISTON	MT120216125	MT20716125	1
7	COJINETE AGUJAS PIE BIELA / NEEDLES BEARING	M01411001	M01411100	1

**250 cc / 280 cc / 300 cc**

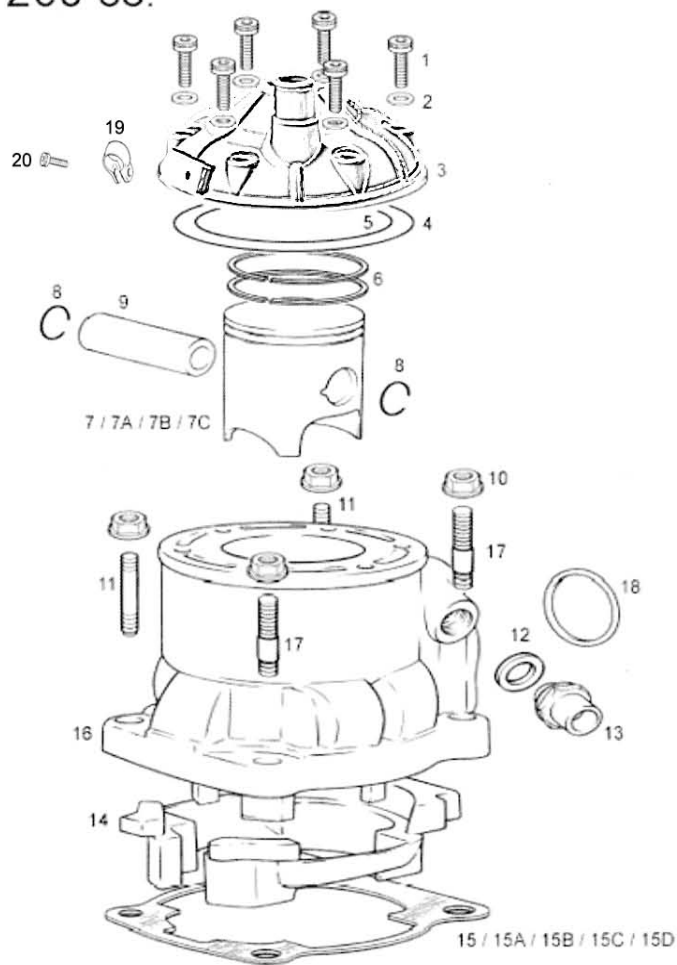




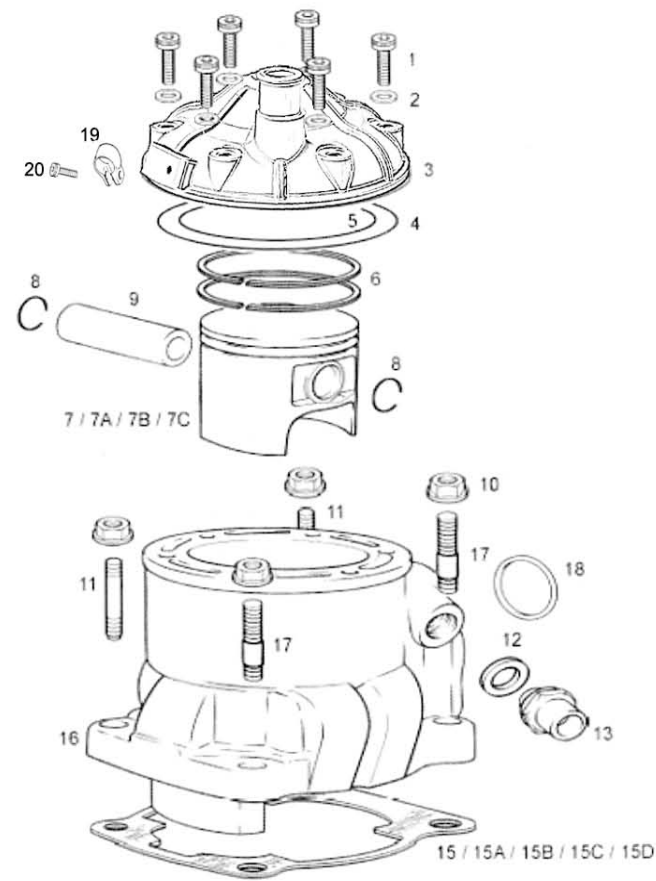


Nº	DESCRIPCION / DESCRIPTION	125 / 200	250 / 280	Cant.
1	DISCO EMBRAGUE FORRADO TRIAL SXXI / CLUTCH DISC FIBER	-	MT280232051	3
2	DISCO ACERO EMBRAGUE TRIAL 1.5 / CLUTCH DISC STEEL 1.5	-	MT280232050	2
2A	DISCO ACERO EMBRAGUE TRIAL 1.3 / CLUTCH DISC STEEL 1.3	-	MT280232050/3	1
2B	DISCO ACERO EMBRAGUE TRIAL 1.4 / CLUTCH DISC STEEL 1.4	-	MT280232050/4	1
3	DESMULTIPLICADOR EMBRAGUE TRIAL / CLUTCH RELEASE ARM	-	MT280632070	10
4	PRENSA EMBRAGUE TRIAL SXXI / PRESSURE PLATE	-	MT280632006	1
5	MUELLE EMBRAGUE TRIAL / CLUTCH SPRING	-	MT280632015	1
6	SOPORTE MUELLE EMBRAGUE / CLUTCH SPRING SUPPORT PLATE	MT120632045	MT280632045	1
7	ULS ESPECIAL PRENSA 4X10 / PRESSURE PLATE ULS BOLT	-	MT280332077	10
8	BOLET EMBRAGUE TRIAL 2003 / BEARING PLATE	-	MT280332014	1
9	COJINETE PRENSA EMBRAGUE AXK 17X30X2 / BEARING, CLUTCH END PLATE	-	MT280232043	1
10	PISTÓN BOMBIN EMBRAGUE TRIAL 2003 / CLUTCH PUMP PISTON	-	MT280332040	1
12	TÓRICA FKM / FKM O'RING	-	MT280432047	2
13	MUELLE PISTÓN EMBRAGUE TRIAL SXXI / CLUTCH PISTON SPRING	-	MT280332018	1
14	COJINETE G95 CORONA EMBRAGUE / CLUTCH BEARING	-	MT280432039	2
15	CTO. CORONA EMBRAGUE Y PIÑÓN TRIAL SXXI / OVERALL CROWN CLUTCH AND GEAR	-	MT280232003-MT280212004	1
16	CUBO EMBRAGUE SXXI / CLUTCH HUB	-	MT280632005CT	1
17	CASQUILLO SUJECIÓN EMBRAGUE / CLUTCH HUB BUSHING	-	MT280232080	1
18	ALLEN UFK 5X20 SUJECIÓN CUBO TRIAL 280 / CLUTCH HUB BOLT	-	MT280232081	1
19	ARANDELA 30.2X38X0.5 EMBRAGUE / CLUTCH WASHER	-	T4003038	1
20	PIÑÓN TRANSMISIÓN PRIMARIA / PRIMARY TRANSMISION GEAR	-	MT280212004	1
21	CTO. DISCOS EMBRAGUE TRIAL 2004 / 2004 CLUTCH DISC SET COMPLETE	-	MT280432055	1
22	CIRCLIP E25 CIGÜEÑAL / CRANKSHAFT E25 CIRCLIP	-	MT280212023	1
23	GUÍA MUELLE PISTÓN / PISTON SPRING GUIDE	-	MT280432065	1
24	CIRCLIP CORONA EMBRAGUE / CLUTCH CIRCLIP	-	MT280432139	1
25	CTO. EMBRAGUE TRIAL PRO (HAMBURGUESA) / CLUTCH SET	MT120732069	MT280732069	1

125 cc. / 200 cc.



250 cc. / 280 cc. / 300 cc.

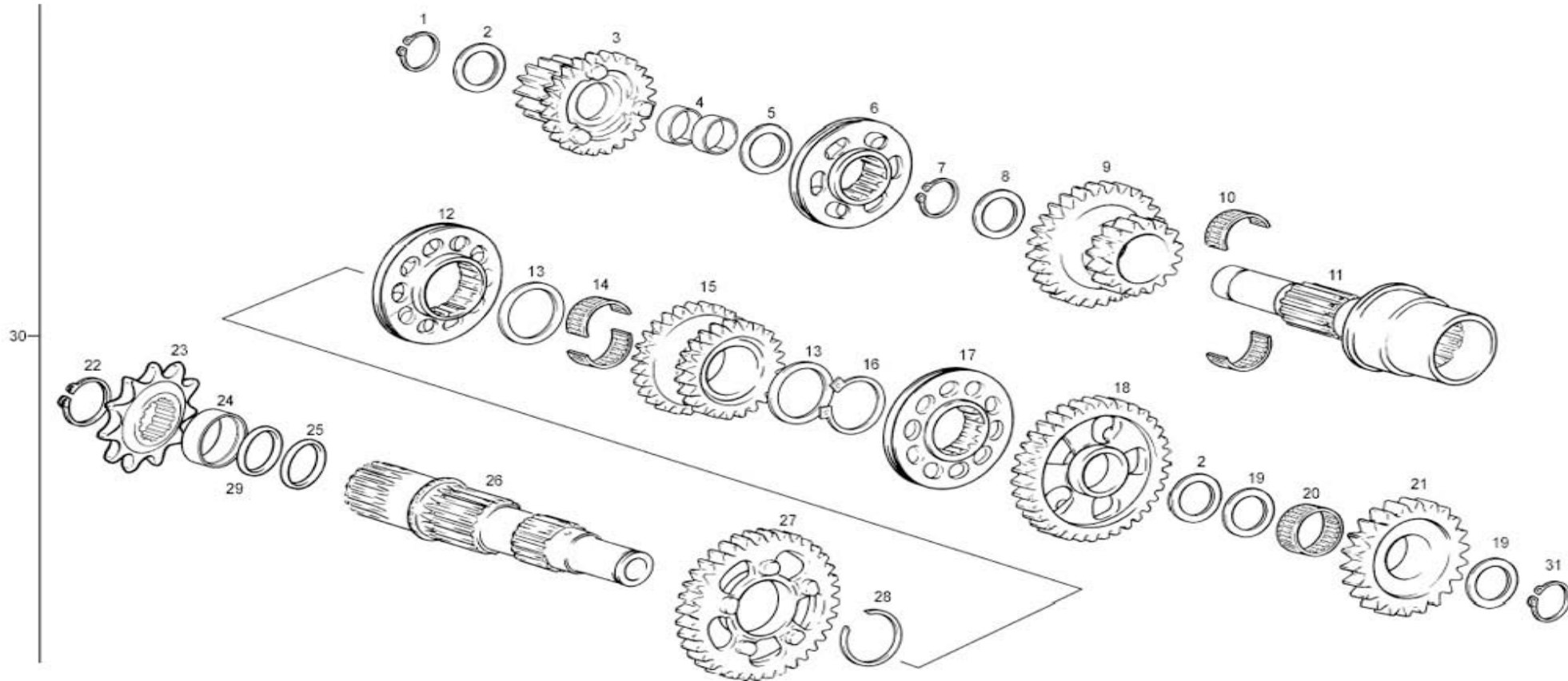


Nº	DESCRIPCION / DESCRIPTION	125	200	250	280	300	Cant.
1	ALLEN 6X25 / 6X25 ALLEN BOLT	-	-	-	T0306025	-	6
2	ARANDELA COBRE 6X10X1.5 / 6X10X1.5 WASHER	-	-	-	T4006008	-	6
3	CULATA TRIAL 2003 / CYL. HEAD	MT750001209	MT750002009	MT750002509	MT750002809	MT750003009	1
4	TÓRICA CULATA EXTERIOR / O'RING CYL. EXTERIOR	ME120116060	-	-	M01619135	-	1
5	TÓRICA CULATA INTERIOR / O'RING CYL. INTERIOR	MT120210040	-	M01619215	M01619215	MT300416065	1
6	AROS PISTÓN / PISTON RING	MT120216040	MT200516040	MT250516040	MT280516040	MT300316040	2
7	PISTÓN TRIAL SXXI / PISTON TRIAL	MT120216020	MT200216020	MT250516020	MT280516020	MT300316020	1
7A	PISTÓN LETRA B / PISTON B	MT120210121	MT200216121	MT250516121	MT280516121	MT300316121	1
7B	PISTÓN LETRA C / PISTON C	MT120210122	MT200216122	MT250216122	MT280216122	MT300316122	1
7C	PISTÓN LETRA D / PISTON D	MT120216123	MT200216123	MT250216123	MT280216123	MT300316123	1
8	CIRCLIP PISTÓN / CLIP PISTON	ME25616126	M01417052	ME25616126	ME25616126	ME25616126	2
9	BULÓN PISTÓN / PIN PISTON	MT120216125	MT20716125	MT280216125	MT280216125	MT280216125	1
10	TUERCA CILINDRO / CYLINDER NUT	-	-	-	M01613001	-	4
11	ESPÁRRAGO CILINDRO / STUD BOLT CYLINDER	-	-	-	MT280216023	-	2
12	ARANDELA PLANA FIBRA / FIBER WASHER	-	-	-	M01612026	-	1
13	RACORD CILINDRO / CYLINDER WATER HOSE NECK	-	-	-	MT280210013	-	1
14	ADAPTADOR CILINDRO / CYLINDER ADAPTER	MT120216087	MT120216087	-	-	-	1
15	JUNTA CILINDRO 0,8 mm. / 0,8 mm. GASKET CYLINDER BASE	-	-	-	MT28024400	-	1
15A	JUNTA CILINDRO 0,3 mm. / 0,3 mm GASKET CYLINDER BASE	-	-	-	MT208224009	-	1
15B	JUNTA CILINDRO 1 mm. / 1 mm. GASKET CYLINDER BASE	-	-	-	MT280244010	-	1
15C	JUNTA CILINDRO 0,5 mm. / 0,5 mm. GASKET CYLINDER BASE	MT120244000	MT120244000	-	-	-	1
15D	JUNTA CILINDRO 0,15 mm. / 0,15 mm. GASKET CYLINDER BASE	-	-	-	MT280244015	-	1
16	CILINDRO TRIAL / CYLINDER	MT120716022	MT120716022	MT250716022	MT280716022	MT300716022	1
17	ESPÁRRAGO CON CENTRAJE / STUD WITH CENTER	-	-	-	MT280216056	-	2
18	JUNTA ESCAPE / EXHAUST GASKET	-	-	-	MT280244012	-	1
19	GRAPA SUJECCION CABLES / WIRE SUPPORT	ET750502809	ET750502809	ET750502809	ET750502809	ET750502809	1
20	ALLEN 4X6 ZINCADO / M4X6 ALLEN	T0304006	T0304006	T0304006	T0304006	T0304006	1
	CTO. CILINDRO Y PISTON / SET CYLINDER AND PISTON	MT120716022CT	MT200716022CT	MT250716022CT	MT280716022CT	MT300716022CT	1

**GAS GAS**

**Motor 9**

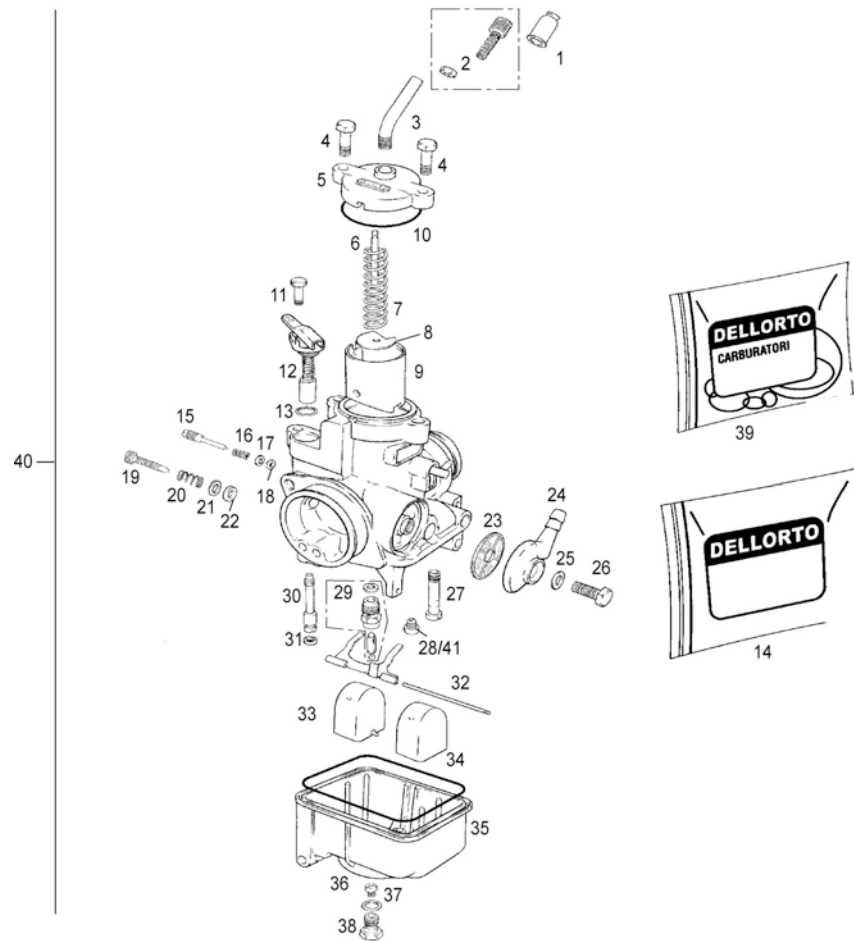




Nº	DESCRIPCION / DESCRIPTION	125	200	250 / 280 / 300	Cant.
1	CIRCLIP E15 DIN471 / E15 CIRCLIP	-	-	MT280236163	2
2	ARANDELA 15,2X23X0,5 / 15,2X23X0,5 WASHER	-	-	T4001523	4
3	PIÑÓN 2 / PINION 2	-	-	MT280236071	1
4	DOLLA / BUSHING	-	-	MT280236164	2
5	ARANDELA 17X23X0,5 / 17X23X0,5 WASHER	-	-	T4001723	1
6	DESPLAZABLE PRIMARIO / PRIMARY SELECTOR DISC	-	-	MT280236073	1
7	CIRCLIP E20 DIN 471 REBAJADO / E20 CIRCLIP	-	-	MT280236165	1
8	ARANDELA 20X25X0,5 / 20X25X0,5 WASHER	-	-	T4002025	1
9	PIÑÓN 3 / PINION 3	-	-	MT280236072	1
10	JAULA AGUJAS / NEEDLE BEARING	-	-	MT280236162	2
11	EJE PRIMARIO / PRIMARY SHAFT	-	-	MT280236070	1
12	DESPLAZABLE 2 SECUNDARIO / SECONDARY SELECTOR DISC	-	-	MT280236080	1
13	ARANDELA 22X27X0,5 / 22X27X0,5 WASHER	-	-	T4002227	2
14	JAULA AGUJAS / NEEDLE BEARING	-	-	MT280236161	2
15	PIÑÓN 5 / PINION 5	-	-	MT280236078	1
16	CIRCLIP E22 DIN471 / E22 CIRCLIP	-	-	MT280236166	1
17	DESPLAZABLE 3 SECUNDARIO / SECONDARY SELECTOR DISC	-	-	MT280236079	1
18	PIÑÓN 3 SECUNDARIO / SECONDARY 3 GEAR	-	-	MT280236076	1
19	ARANDELA / WASHER	-	-	M02622001	2
20	JAULA AGUJAS / NEEDLE BEARING	-	-	MT280226015	1
21	PIÑÓN INTERMEDIO ARRANQUE / GEAR, IDLE KICKSTART	-	-	MT880002810	1
22	CIRCLIP E25 / E25 CIRCLIP	-	-	MT280212023	1
23	PIÑÓN CADENA SALIDA / SPROCKET, COUNTERSHAFT	MT120236525	MT200236525	MT280236525	1
24	CASQUILLO RETÉN SALIDA CAMBIO / SHIFT SEAL BUSHING	-	-	MT280236046	1
25	TÓRICA 25X2 NBR / NBR 25X2 O'RING	-	-	ME25632025	1
26	EJE SECUNDARIO / SECONDARY SHAFT	-	-	MT280236075	1
27	PIÑÓN 2 SECUNDARIO / SECONDARY 2 GEAR	-	-	MT280236077	1
28	CIRCLIP SW25 / SW25 CIRCLIP	-	-	MT280236167	1
29	TÓRICA 25X1,5 NBR / 25X1,5 O'RING	-	-	MT280212025	1
30	CTO. CAMBIO TRIAL / TRANSMISSION COMPLETE	-	-	MT280236010	1
31	CLIP DE 15MM PIÑÓN INT. ARRANQUE / 15MM. CIRCLIP	-	-	M02633000	1

**GAS GAS**

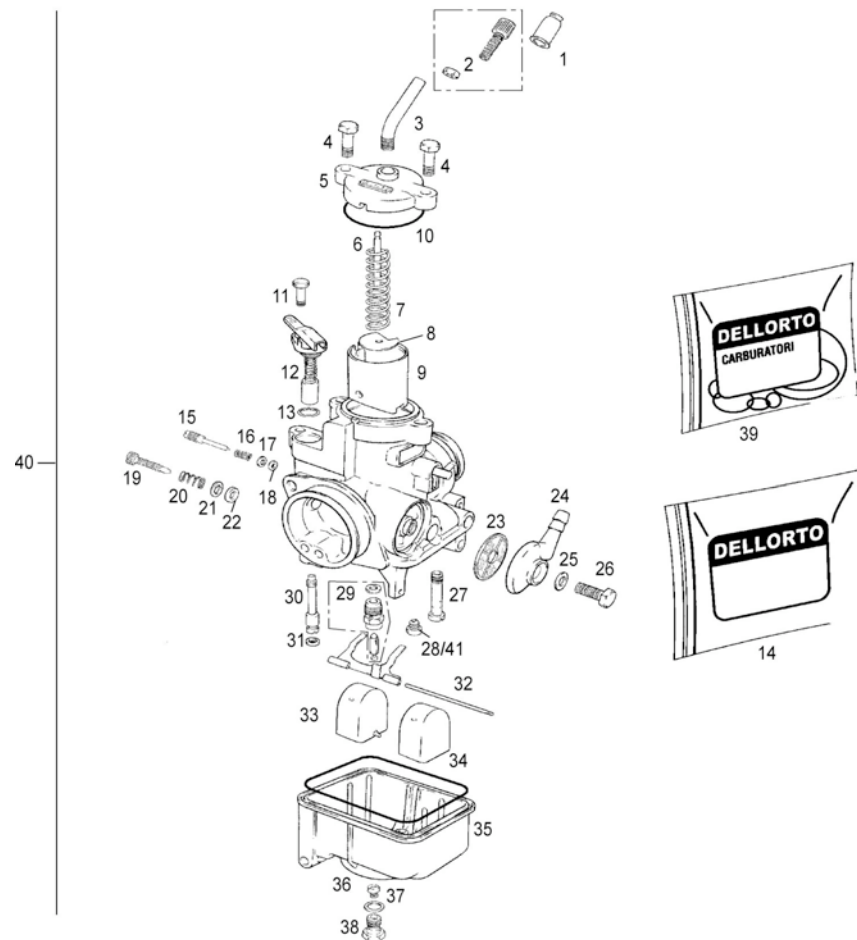
**Motor 10**



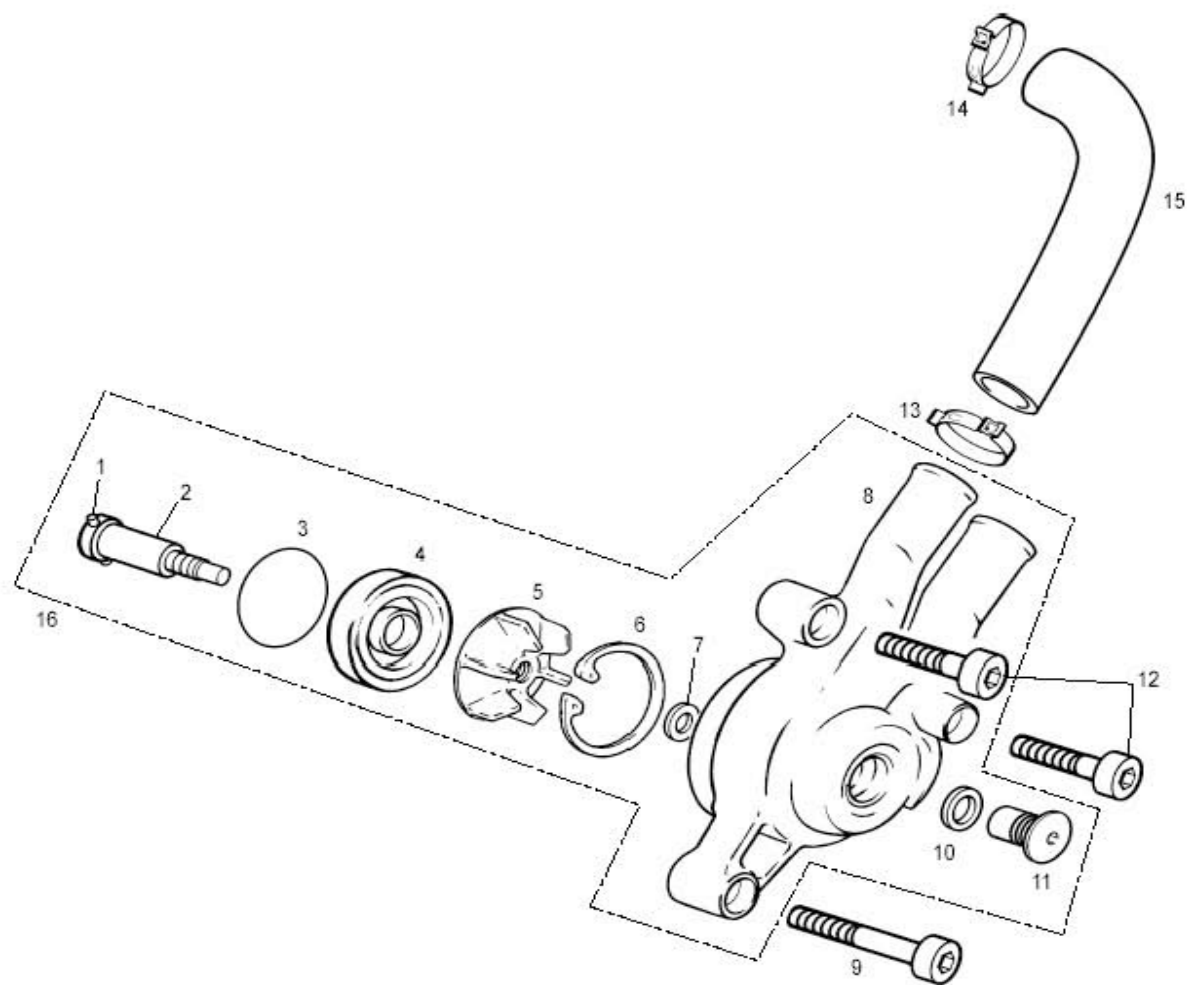
Nº	DESCRIPCION / DESCRIPTION	125 / 200	250 / 280	Cant.
1	CAPUCHÓN TENSOR CABLE GAS / ADJ. TENSION THROTTLE CABLE	-	M09001055	1
2	CTO. TENSOR CABLE / CABLE TENSION SET SCREW	-	M09001230	1
3	TENSOR CABLE GAS / CABLE TENSION TUBE	-	M09001032	1
4	TORNILLO TAPA CARBURADOR / SCREW COVER CARBURETOR	-	M09001025	2
5	TAPA CARBURADOR / COVER CARBURETOR	-	M09001156	1
6	AGUJA D36 3º PUNTO / NEEDLE D36	-	M09003136	1
7	MUELLE COMPUERTA / SPRING SLIDE	-	M09001015	1
8	PLANCHA SUJECIÓN CABLE GAS / CABLE RETAINER PLATE	-	M09001010	1
9	COMPUERTA / VALVE SLIDE	M09002050	M09002060	1
10	TÓRICA TAPA CARBURADOR / O	-	M09001050	1
11	TORNILLO SUJ. STARTER / CHOKE SCREW	-	M09001110	1
12	MANDO STARTER / CHOKE LEVER ASSY.	-	M09001105	1
13	TÓRICAS STARTER / CHOKE O'RING	-	M09001065	1
14	KIT CARBURACIÓN / CARBURETOR KIT	MT120690100	MT280690100	1
15	TORNILLO REG. ENTRADA AIRE / REG. ENTRANCE SCREW	-	M09001115	1
16	MUELLE TORNILLO REG. AIRE / SPRING SCREW REG. AIR	-	M09001120	1
17	ARANDELA TORN. REG. AIRE / WASHER SCREW BOLT REG. AIR	-	M09001125	1
18	TÓRICA TORNILLO REG. AIRE / O'RING SCREW BOLT REG. AIR	-	M09001075	1
19	TORNILLO REG. COMPUERTA / SCREW BOLT REG. SLIDE	-	M09001035	1
20	MUELLE TORNILLO REG. COMPUERTA / SPRING SCREW SLIDE	-	M09001040	1
21	ARANDELA TORNILLO REG. COMP. / WASHER SCREW REG. SLIDE	-	M09001045	1
22	TÓRICA TORNILLO REG. COMP. / O'RING SCREW REG. SLIDE VALVE	-	M09001060	1
23	JUNTA PIPETA GASOLINA / FUEL FILTER DISC	-	M09001095	1
24	PIPETA ENTRADA GASOLINA / FUEL ENTRY TUBE	-	M09001135	1
25	JUNTA TORNILLO PIPETA / GASKET SCREW BOLT	-	M09001100	1
26	TORNILLO PIPETA / BOLT	-	M09001140	1
27	EMULSOR / NEEDLE JET	M09005268	M09005271	1
28	CHICLE RALENTÍ 30 / JET SLOW 30	M09004036	M09004035	1
29	VÁLVULA FLOTADOR / FLOAT VALVE	-	M09001200	1
30	CHICLE STARTER 60 / JET CHOKE 60	-	M09007060	1
31	TÓRICA CHICLE STARTER / O'RING JET CHOKE	-	M09001070	1
32	EJE FLOTADOR / FLOAT SHAFT	-	M09001145	1
33	FLOTADOR 2X2 / FLOAT 2X2	-	M09008036	2

**GAS GAS**

**Motor 11**



Nº	DESCRIPCION / DESCRIPTION	125 / 200	250 / 280	Cant.
34	TÓRICA CUBETA GASOLINA / O'RING FUEL BOWL	-	M09001085	1
35	CUBETA GASOLINA / FUEL BOWL	-	M09001150	1
36	CHICLE PRINCIPAL / MAIN JET	M09006105	M09006118	1
37	TÓRICA TAPÓN CUBETA / O'RING	-	M09001090	1
38	TAPÓN CUBETA GASOLINA / FUEL BOWL BOLT	-	M09001155	1
39	KIT JUNTAS CARBURADOR / GASKET CARBURETOR KIT	-	M09001101	1
40	CARBURADOR PHBL 26 BS / PHBL CARBURETOR COMPLETE	MT280290000	MT280290000	1
41	CHICLE DE BAJA 42 (116.20.42.02) / JET SLOW 42 (116.20.42.02)	MT280390442	-	



Nº	DESCRIPCION / DESCRIPTION	PRO2007	Cant.
1	PASADOR 3X22 EJE BOMBA / PUMP AXIS PIN	MT280218009	1
2	EJE BOMBA AGUA / AXLE TURBINE	MT280218006	1
3	TÓRICA 37X1.5 TAPA BOMBA AGUA / O-RING WATER PUMP COVER	MT280218008	1
4	RETÉN 10X35X7 DUO FKM / WATER PUMP SEAL	MT280210020	1
5	TURBINA BOMBA AGUA / WATER PUMP TURBINE	MT280218007	1
6	CIRCLIP 35 BOMBA AGUA / WATER PUMP CIRCLIP	MT280210019	1
7	ARANDELA TURBINA TRIAL / TURBINE WASHER	MT280218011	1
8	TAPA BOMBA AGUA / WATER PUMP COVER	MT280210008	1
9	ALLEN M5X40 DACROMET / M5X40 DACROMET ALLEN BOLT	T0305040	1
10	ARANDELA NYLON / NYLON WASHER	MT280218012	1
11	CASQUILLO BOMBA AGUA TRIAL 2002 / WATER PUMP BUSHING	MT280218002	1
12	ALLEN M5X35 DACROMET / M5X35 DACROMET ALLEN BOLT	T0305035	2
13	ABRAZADERA 20 / 20 CLAMP	L200035	1
14	ABRAZADERA COBRA 19 / 19 CLAMP	L200043	1
15	TUBO BOMBA – CILINDRO / PUMP TO CILINDER HOSE	BT280232017	1
16	CTO. TAPA BOMBA TRIAL PRO / COVER PUMP SET	MT280210008CT	1