



GAS GAS

2011

TXT RAGA 2011

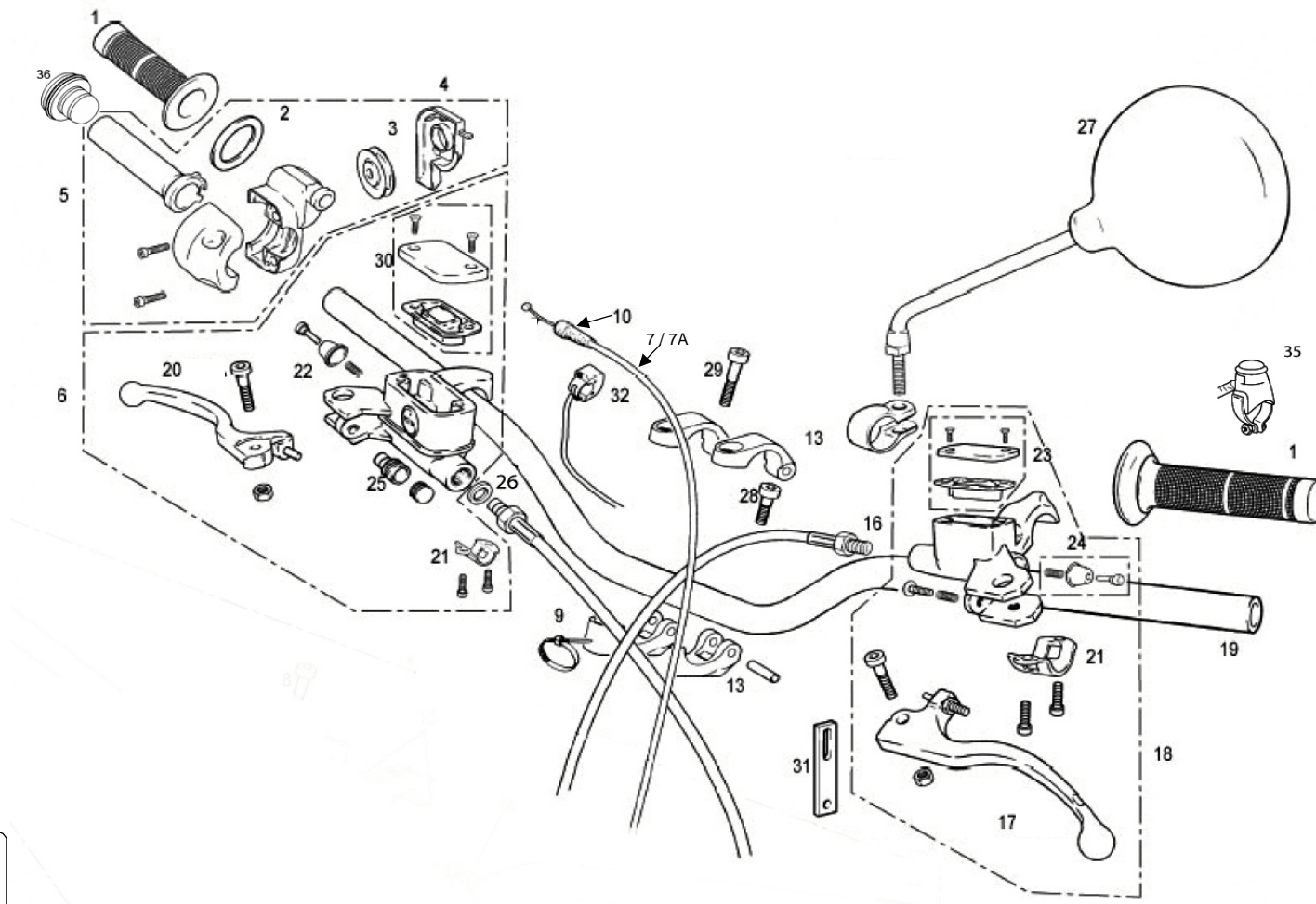
250 - 280 -300

DESPIECE / / PART LIST

A large, stylized white logo consisting of two interlocking 'G' characters. The logo is positioned on the left side of the image, with two curved lines (one white, one red) sweeping from the bottom left towards the top right, passing behind the 'GG'.

*TECHNOLOGY
&
MOTION*

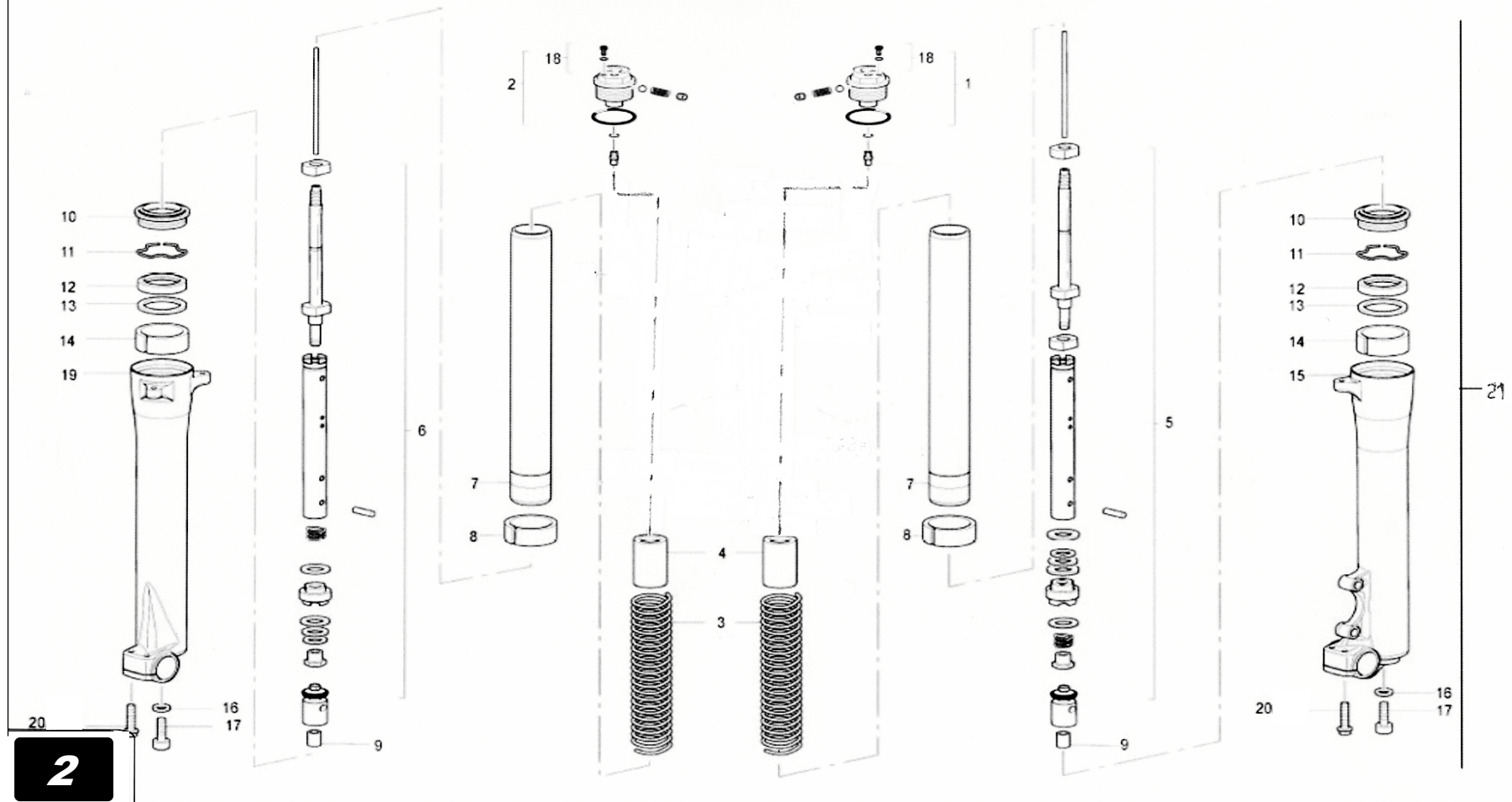
GAS GAS

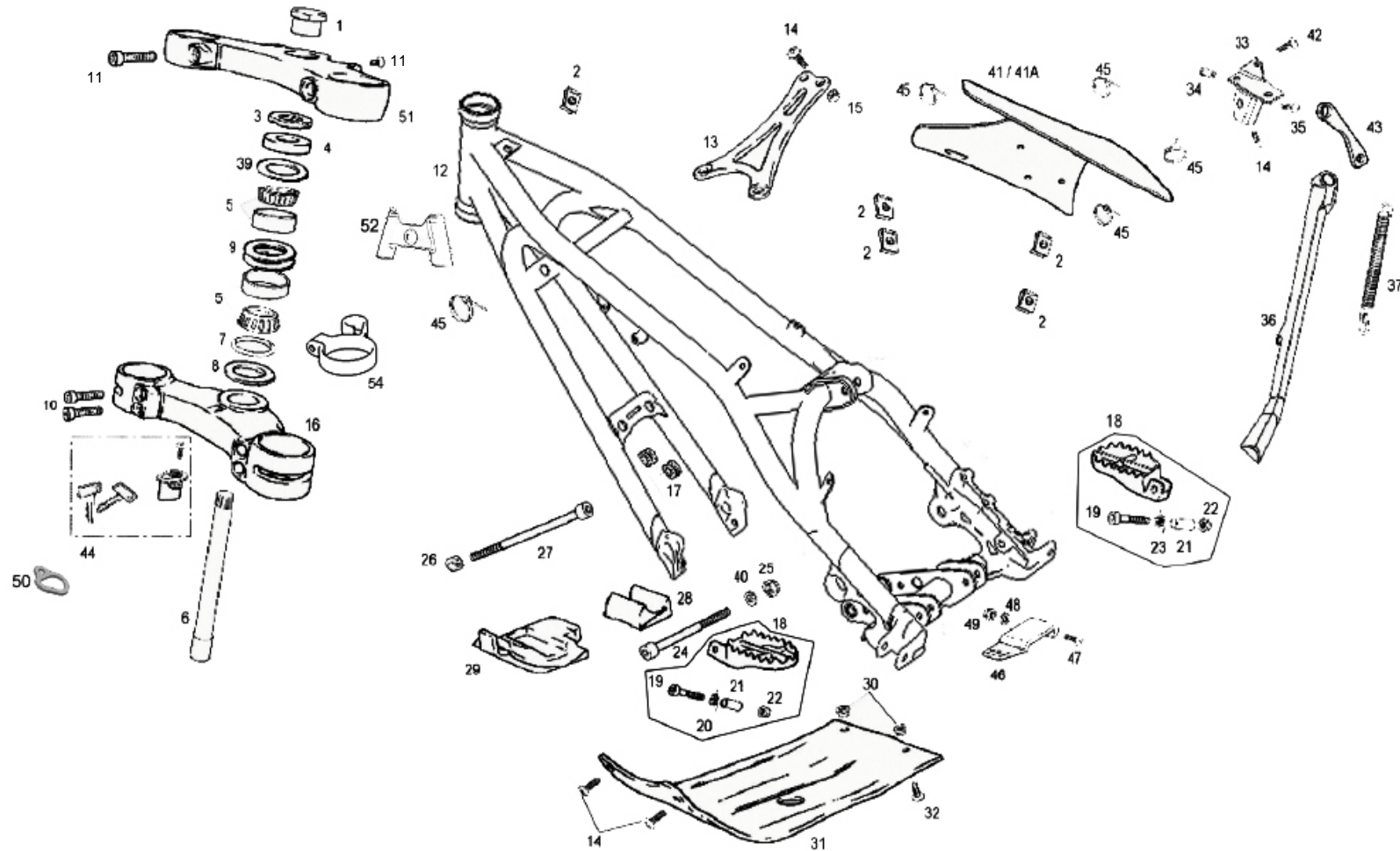


Nº	DESCRIPCION / DESCRIPTION	250 / 280 / 300	Cant.
1	JUEGO EMPUÑADURAS TRIAL / HANDLEBAR GRIP (PAIR)	BT26100RA3010	1
2	ARANDELA MANDO GAS / TWIST GRIP WASHER	BT27922078	1
3	RODILLO MANDO GAS / TWIST GRIP ROLLER	E119000	1
4	TAPA MANDO GAS / TWIST GRIP COVER	E140000	1
5	PUÑO MANDO GAS / CPT. TWIST GRIP	E100001	1
6	BOMBA FRENO DELANTERO / FRONT BRAKE PUMP	BT61000R3009	1
7	CABLE DE GAS HOMOLOGADO / THROTTLE CABLE	BT27924008	1
7A	CABLE DE GAS RACING (KEIHIN) / THROTTLE CABLE KEIHIN	E160003	
9	BRIDA UNEX 4.8X20 / UNEX 4.8X20 CLAMP	BE25634009	1
10	GUARDAPOLVO PUÑO GAS / THROTTLE CABLE DUST COVER	G600000	1
13	CTO. BRIDA MANILLAR / HANDLEBAR CLAMP ASSY	BT280414012C	1
16	LATIGUILLO EMBRAGUE TRIAL / CLUTCH TUBE	BT470002809	1
17	MANETA EMBRAGUE RACING / CLUTCH LEVER R	BT46300R3009	1
18	BOMBA EMBRAGUE ACEITE / CLUTCH PUMP	BT46000R3009	1
19	MANILLAR CON PROTECCION /PROTECTION AND HANDLEBAR ASSY.	BT25000RA3010	1
20	MANETA FRENO AJP 93 PLATA LARGA / BRAKE LEVER TRIAL	BT61300R3009	1
21	SOPORTE BOMBA EMBRAGUE / CLUTCH PUMP SUPPORT	BE250022211	2
22	KIT BOMBA FRENO / BRAKE PUMP SET	BT27722208	1
23	KIT TAPA BOMBA / COVER PUMP SET	BT280422210	1
24	KIT BOMBA EMBRAGUE / CLUTCH PUMP SET	BT460102811	1
25	CASQUILLO PULSADOR FRENO DELANTERO / PUSH BUTTON BUSHING	BT27922079	1
26	ARANDELA COBRE 10X14X1 / 10X14X1 WASHER	BT280422007	1
27	ESPEJO RETROVISOR / REAR VIEW MIRROR	L300760	2
28	TORNILLO UFK 8X20 / 8X20 UFK SCREW	T0318020	2
29	TORNILLO UFK 8X50 / 8X50 UFK SCREW	T0318050	2
30	TAPA BOMBA FRENO / KIT COVER PUMP	BT27722210	1
31	GOMA SUJECIÓN CABLEADOS / WIRE SUBJET RUBBER	BFS450320067	1
32	INTERRUPTOR CDI / CDI SWITCH	BT280634007	1
35	PULSADOR PARO TRIAL PRO RACING 08 / TRIAL PRO RACING 08 STOP SWITCH	BC250334055	1
36	RODAMIENTO MANDO GAS	BT26010R3010	1

GAS GAS

Chasis 1

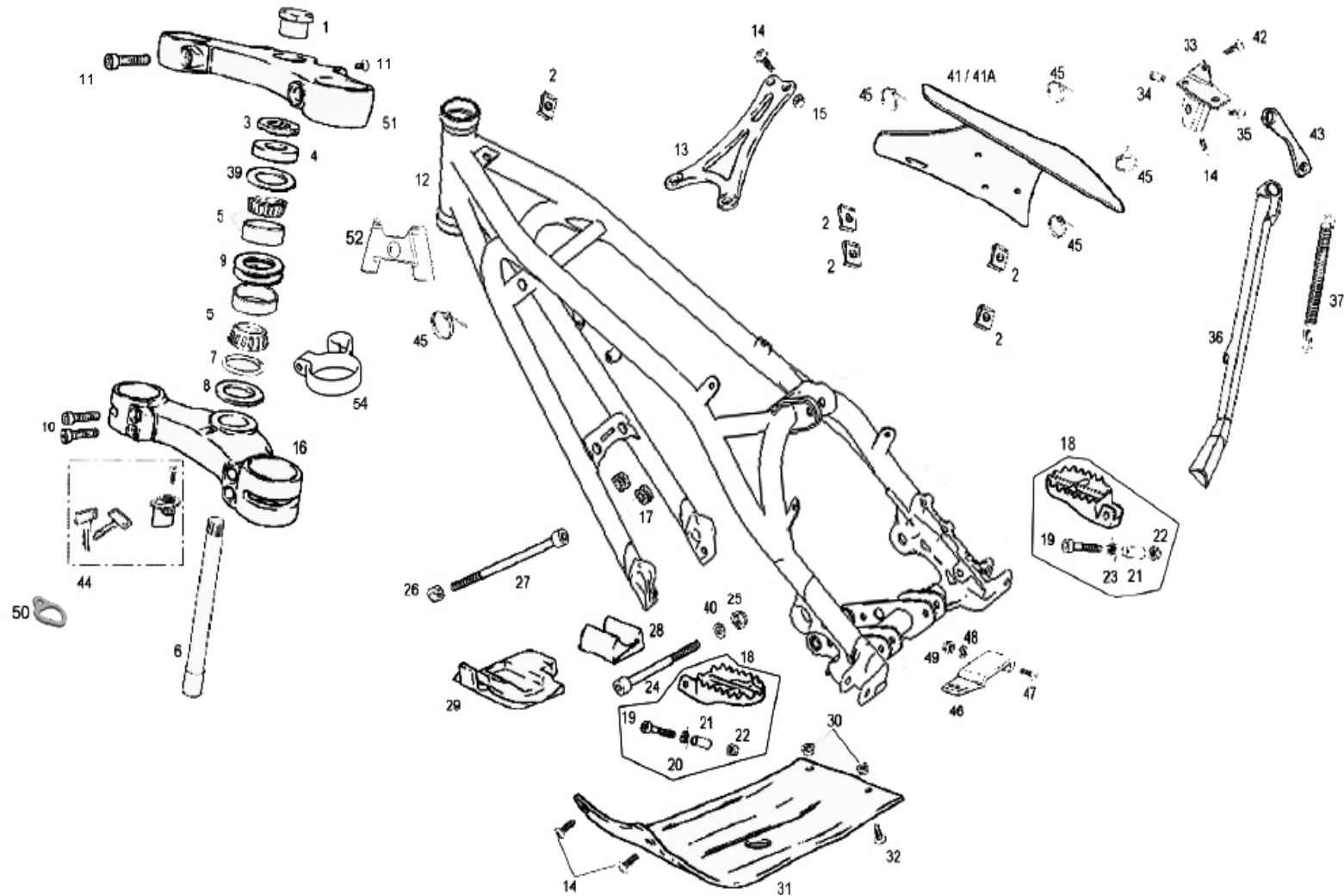


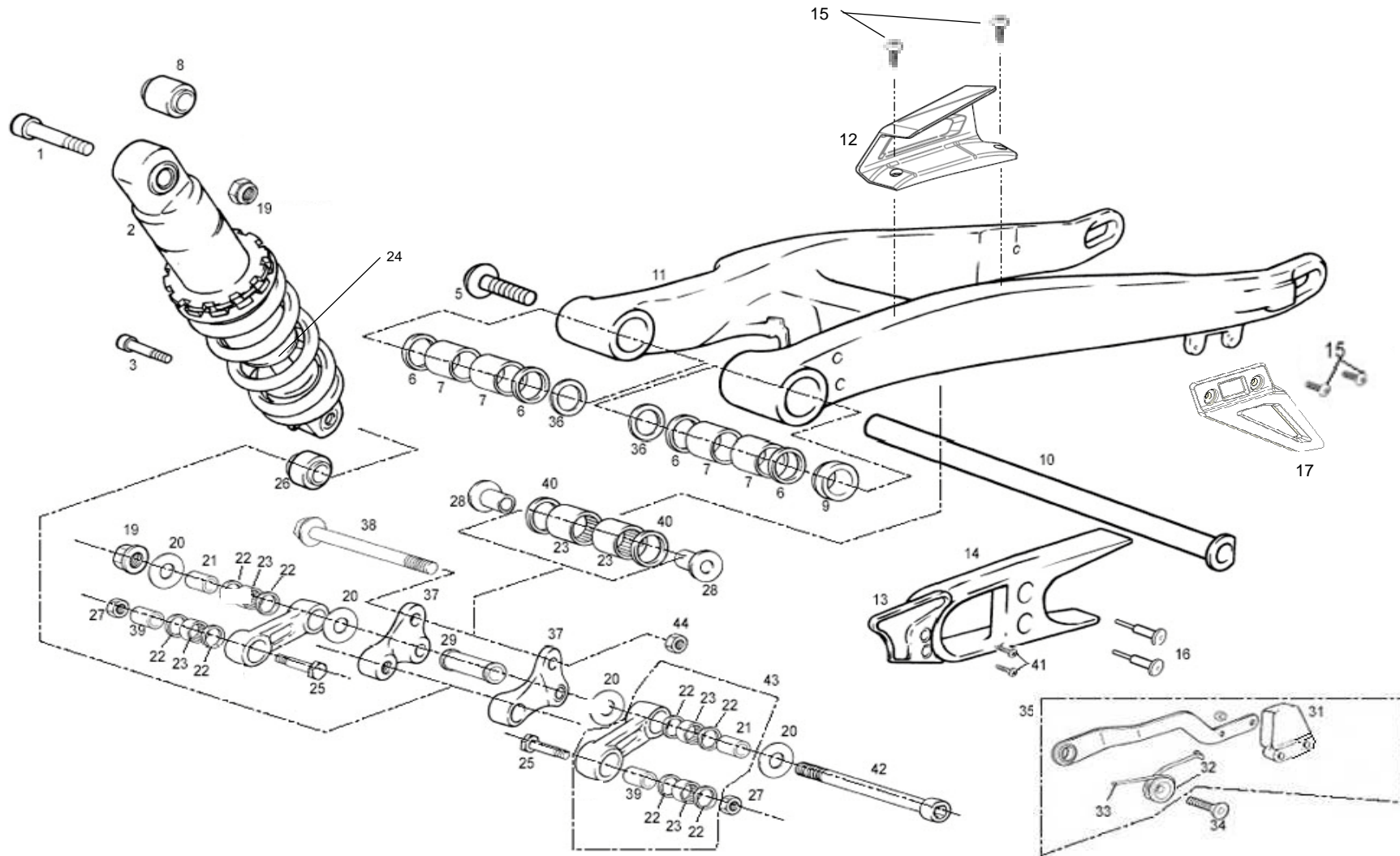


Nº	DESCRIPCION / DESCRIPTION	250 / 280 / 300	Cant.
1	TUERCA SUPERIOR DIRECCIÓN TRIAL / NUT TOP STEERING AXLE	BT280210030	1
2	TUERCA NUT 956 RAPIDA M6 / M6 FAST NUT	T2606000	5
3	TUERCA INFERIOR DIRECCIÓN TRIAL / NUT UNDER TOP CLAMP	BT280410029	1
4	GUARDAPOLVO COJINETES DIRECCIÓN / BEARING STEERING, DUST COVER	BEP250210026	1
5	COJINETE DIRECCIÓN URBXA 32004 / BEARING STEERING	BT280210008	2
6	EJE DIRECCIÓN TRIAL 2002 / AXLE STEERING	BT280214003	1
7	TÓRICA DIRECCIÓN 37X2,5 ENDUPAMP 250 / O-RING STEERING	BEP250210012	1
8	ARANDELA REGLAJE BLANCA / WHITE WASHER	BT280210026	1
9	ARANDELA 36X42X0.5 / 36X42X0.5 WASHER	T4003642	2
10	TORNILLOS BRIDA INFERIOR / LOWER CLAMP SCREW S	T0206025	4
11	TORNILLOS BRIDA SUPERIOR / UPPER CLAMP SCREW S	T0206020	3
12	CHASIS TRIAL / TRIAL FRAME	BT10000013011	1
13	TIRANTE CILINDRO / BRACE CYLINDER	BT280110050	1
14	ULS 8X20 / 8X20 ULS	T0508020	7
15	TUERCA AUTOBLOCANTE M-8 ALTA / SELF-LOCKING NUT M8 HIGH	T2108002	4
16	PLATINA INFERIOR TRIAL / FORK CLAMP (LOWER)	BT20000053011	1
17	GOMAS RADIADOR A CHASIS / RADIATOR PROTECTOR RUBBER	G220000	3
18	CTO. ESTRIBOS TXT PRO / JOINT STIRRUPS	BT14000RCT3009	1
19	PASADOR ESTRIBERA / SCREW	T0508045	2
20	MUELLE ESTRIBO IZQUIERDO / SPRING FOOTSTEP (LEFT)	M100004	1
21	CASQUILLO ESTRIBO TRIAL-99 / BUSH FOOTSTEP	BT27910006	2
22	TUERCA AUTOBLOCANTE M-8 BAJA (DIN 982) / NUT NYLOCK LOW	T2108001	2
23	MUELLE ESTRIBO DERECHO / SPRING FOOTSTEP, RIGHT	M100003	1
24	ALLEN 10x85 / 10X85 ALLEN BOLT	T0301085	1
25	TUERCA AUTOBLOCANTE M10 BAJA / SPECIAL M10 NUT	T2110001	1
26	TUERCA ESPECIAL M10 / SPECIAL M10 NUT	BT280210069	1
27	ALLEN M10X140 ZINCADO 12.9 / SCREW, BOLT ALLEN M10X140	T0310140	1
28	GOMA PROTECTOR TRASERO MOTOR / REAR ENGINE PROT. RUBBER	BT280336029	1
29	GOMA PROTECTOR DELANTERO MOTOR / FRONT ENGINE PROT. RUBBER	BT280236030	1
30	CASQUILLO PROTECTOR CÁRTER / CHASIS TRIAL / BUSHING	BT280310883	2
31	PLACA PROTECCIÓN MOTOR / TRIAL ENGINE PROTECTOR PLATE	BT11500R3009	1
32	ULS 8X16 / ULS 8X16	T0508016	2
33	SOPORTE CABALLETE TRIAL 2000 / SIDE STAND BRACKET SUPPORT	BT280712023	1

GAS GAS

Chasis 3

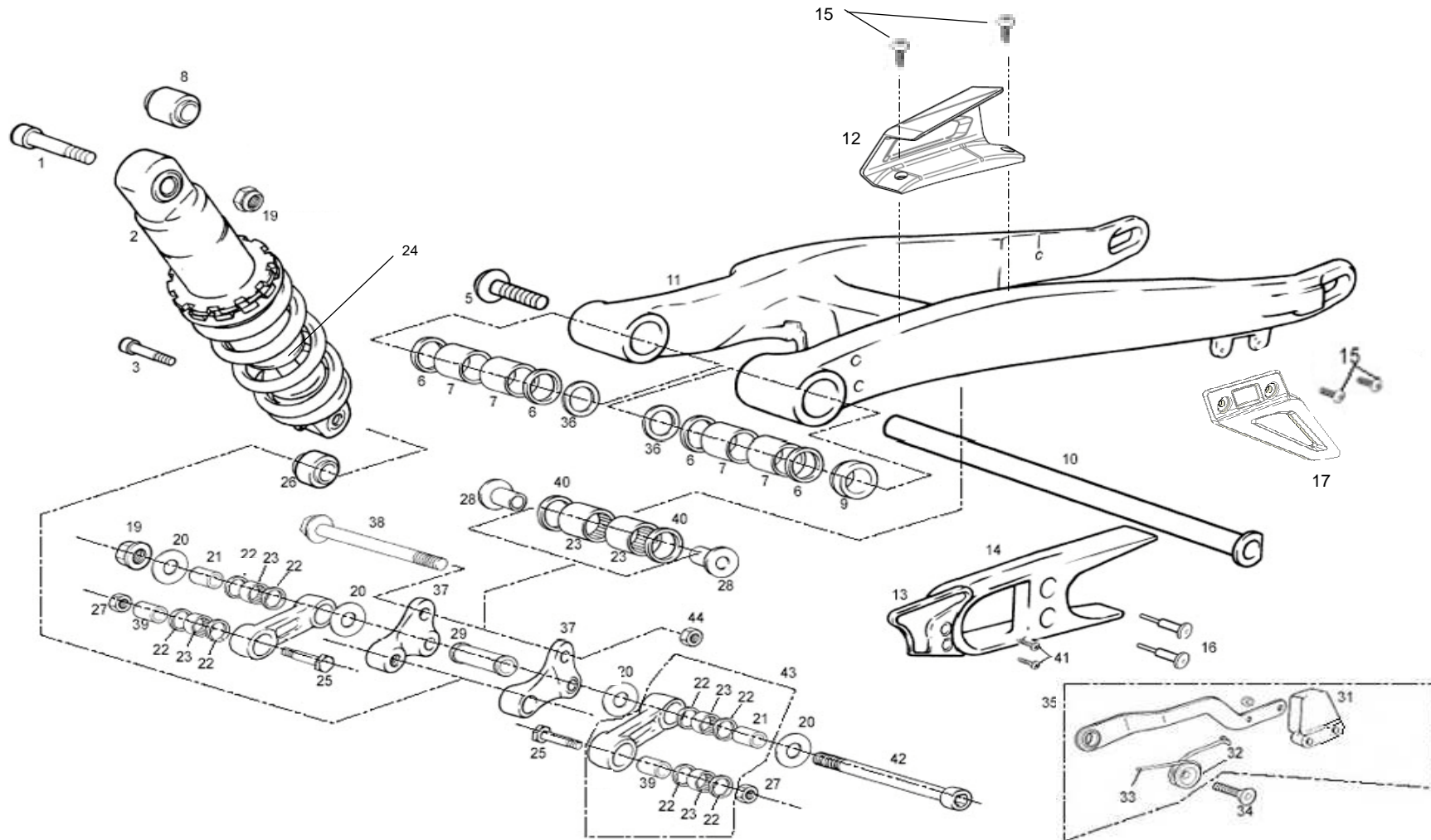


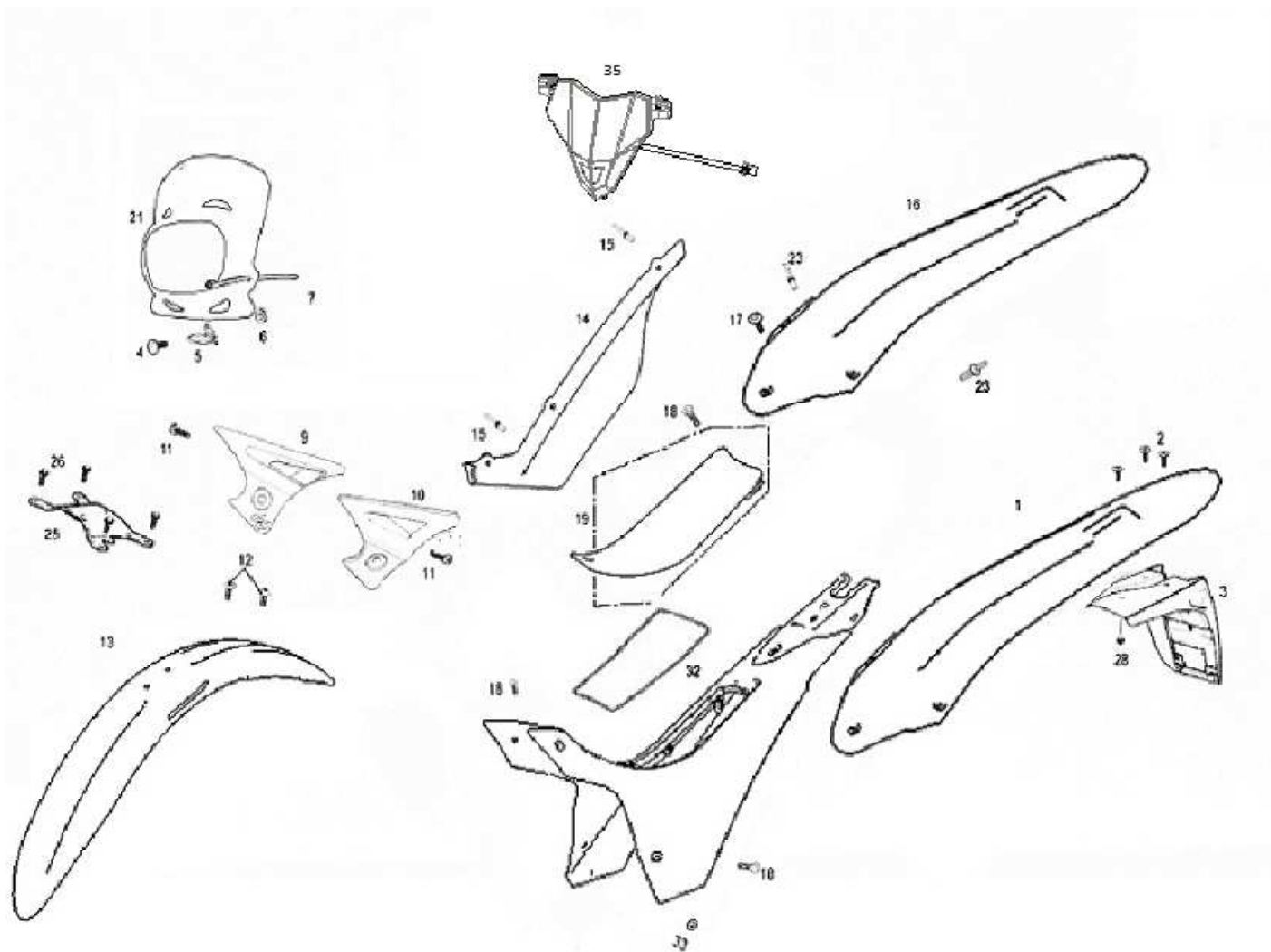


Nº	DESCRIPCION / DESCRIPTION	250 / 280 / 300	Cant.
1	ALLEN 10X63 / 10X63ALLEN SCREW	BT35000013011	1
2	AMORTIGUADOR TRIAL / SHOCK ABSORBER	BT30000013011	1
3	TORNILLO ESPECIAL / SPECIAL SCREW	T0310046	1
5	TORNILLO EJE BASCULANTE TRIAL / SWING-ARM AXLE SCREW	BT280212009	1
6	RETÉN 20-26-4 870 N BASCULANTE / 20-26-4 OIL SEAL	C220001	4
7	COJINETE / BEARING	BT280212032	4
8	SILENTBLOCK AMORTIGUADOR / REAR SHOCK ABSORVER SILENTBLOCK	BT280414305	1
9	CASQUILLO GUÍA EJE BASCULANTE / SWING-ARM AXLE BUSHING	BT280212108	1
10	EJE BASCULANTE TRIAL / SWING-ARM AXLE	BT44500R3009	1
11	BASCULANTE TRIAL / TRIAL 2002 SWING-ARM	BT40000013011	1
12	CUBRECADENAS / CHAIN COVER	BT42040RA3011	1
13	PROTECTOR PIÑÓN TRIAL 2002 / PINION PROTECTOR	BT280236021	1
14	PATÍN CADENA / CHAIN GUIDE	BT42040RA3011	1
15	ULS 5X12 / 5X12 ULS	T0505012	4
16	REMACHE CABOTA GRANDE 14X4 8X21 PATÍN / RIVET	T4505016	2
17	PROTECTOR CORONA TRIAL / SPROCKET PROTECTOR	BT57350RA3011	1
19	TUERCA AUTOBLOCANTE / SELF-LOCKING NUT	T2110001	2
20	ARANDELA REGLAJE 10.5X26X0.5 / 10.5X26X0.5 WASHER	T4001026	4
21	CASQUILLO SUSPENSIÓN DIAM. 10 / SUSPENSION BUSHING	BT27712005	2
22	RETÉN 15X21X2 / 15X21X2 OIL SEAL	C230001	8
23	COJINETE AGUJAS 15BM2116 / NEEDLE BEARING	BT27714009	6
24	TOPE AMORTIGUADOR / SHOCK ABSORVER END OF TRAVEL	BT311002809	1
25	TORNILLO ESPECIAL BIELETA 8X38 / 8X38 SPECIAL SCREW	T0118038	2
26	RÓTULA AMORTIGUADOR / BALL AND SOCKET JOIN	BT280214300	1
27	TUERCA AUTOBLOCANTE M8 ALTA / SELF-LOCKING NUT	T2108002	2
28	CASQUILLO BALANCÍN 99 / ARTICULATION BUSHING	BT27914014	2
29	CASQUILLO DISTANCIADOR BALANCÍN / ARTICULATION SPACER BUSHING	BT27914016	1
31	GOMA TENSOR CADENA / TENSIONER CHAIN RUBBER	BT42010RA3010	1
32	CASQUILLO TENSOR CADENA / CHAIN TENSIONER BUSHING	B560000	1
33	MUELLE TENSOR CADENA / CHAIN TENSIONER SPRING	M122000	1
34	ALLEN CONICO 8X30 TENSOR CADENA / 8X30 CONIC ALLEN	T0408030	1

GAS GAS

Chasis 4

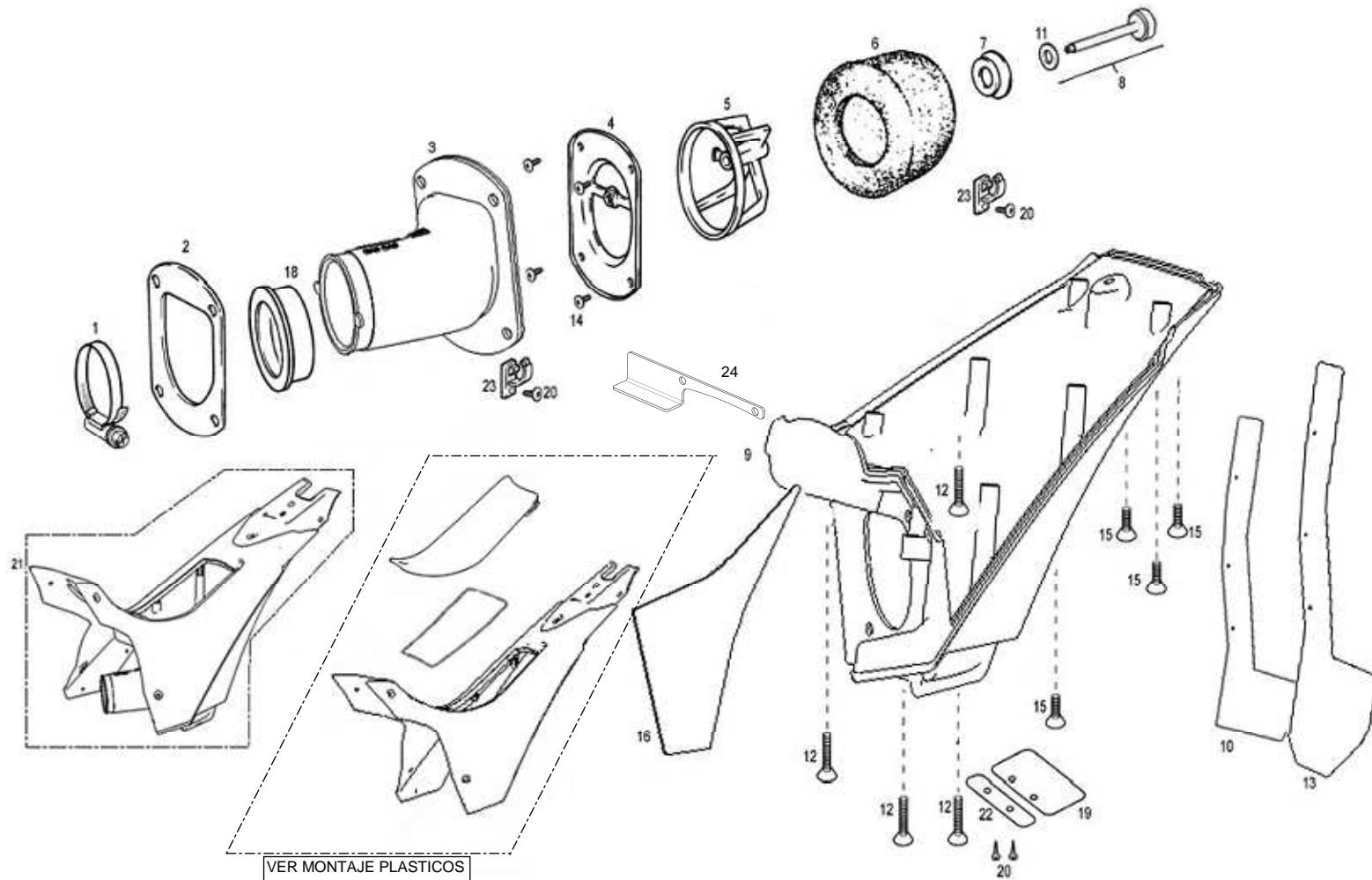




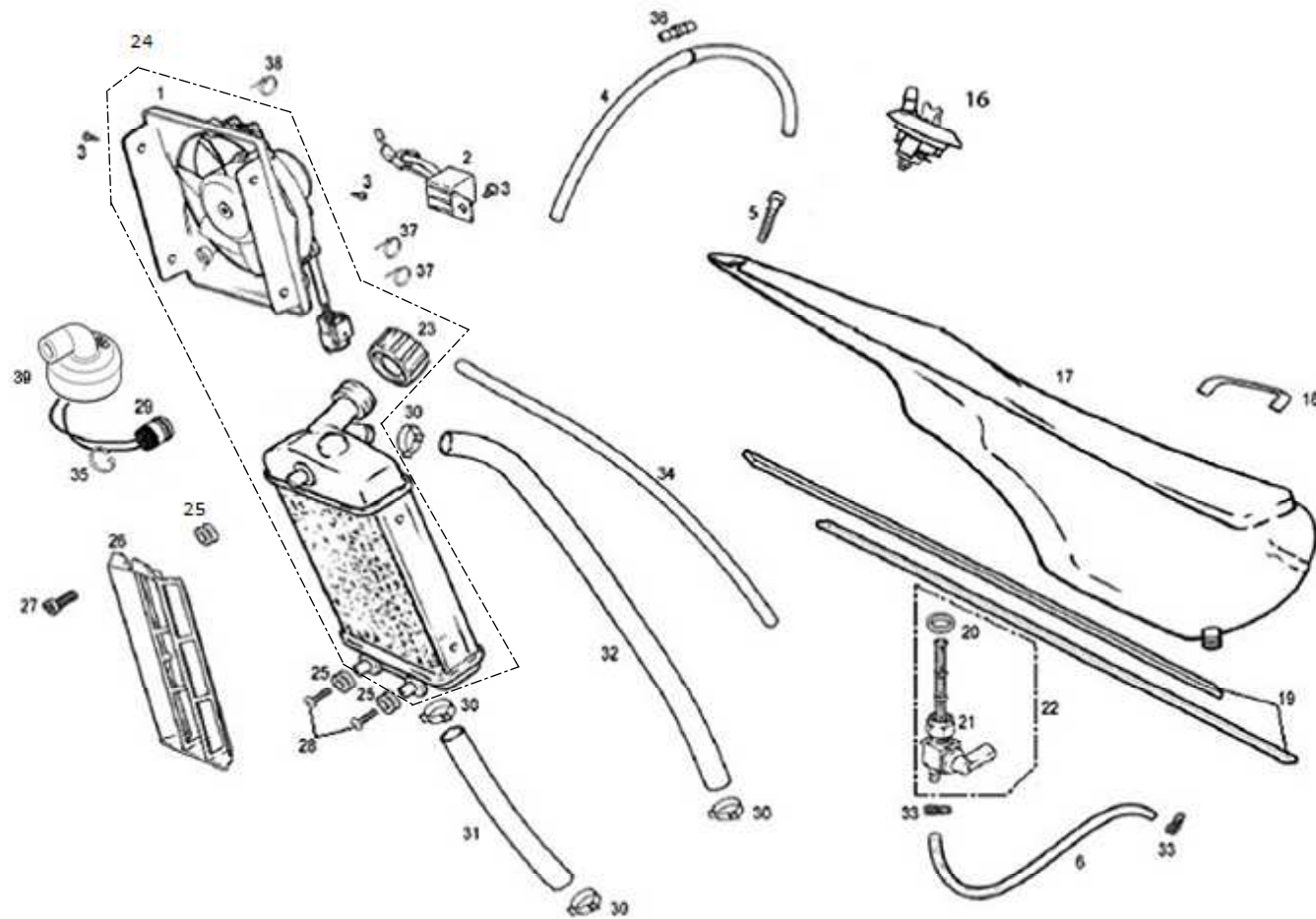
Nº	DESCRIPCION / DESCRIPTION	250 / 280 / 300	Cant.
1	GUARDABARROS TRAS. TRIAL HOMOLOGADO / TRIAL REAR FENDER	BT93500HRA3010	1
2	TORNILLO NEGRO ULS 6X16 / 6X16 ULS SCREW	T0506016N	3
3	PORTAMATRICULAS TRIAL HOMOLOGADO / TRIAL PLATE SUPPORT	BT280620003	1
4	TORNILLO ULS 6X14 CON ARANDELA PLATA / ULS SCREW 6X14	T0556014	1
5	GANCHO INOXIDABLE / RUSTLESS HOOK	M130000	1
6	TUERCA CON ARANDELA M6 / M6 NUT WITH WASHER	T2206000	2
7	BRIDA UNEX / UNEX CLAMP	BE25634007	2
8	TORNILLO ROSCA-CHAPA 3X9 / 3X9 SCREW	T1003009	4
9	PROTECTOR RADIADOR DERECHO / RIGHT RADIATOR COVER	BT91500RA3008	1
10	PROTECTOR RADIADOR IZQUIERDO / LEFT RADIATOR COVER	BT92000RA3008	1
11	TORNILLO CHAPA 4.2X13 / SCREW 4.2X13	T0804612	2
12	ULS 5X8 / 5X8 ULS SCREW	T0505008	2
13	CTO. GUARDABARROS DEL CON ADHESIVO / ASSY. TRIAL FRONT FENDER WITH STICKERS	BT90000133011	1
14	PROTECTOR ESCAPE TRIAL / EXHAUST PROTECTOR	BT947002811	1
15	REMACHE ALUMINIO 4X12 CABOTA NEGRA / ALUMINIUM RIVET	T4504012N	2
16	CTO.GUARDABARROS TRAS. CON ADHESIVOS / ASSY TRIAL REAR FENDER WITH STICKERS	BT90000083011	1
17	ULS 6X16 CON ARANDELA NEGRO / 6X16 BLACK ULS WITH WASHER	T0556016	1
18	TORNILLO CONICO 6X16 / 6X16 CONIC SCREW	T0406016I	5
19	CTO.TAPA CAJA FILTRO CON ADHESIVO / ASSY FILTER BOX COVER WITH STICKERS	BT90000103011	1
20	CTO BASE ASIENTO CON ADHESIVOS / ASSY SEAT STRUCTURE WITH STICKERS	BT90000093011	1
21	FARO DELANTERO TRIAL HOMOLOGADO / HOMOLOGATED TRIAL FRONT HEADLIGHT	BT90500H2809	1
23	REMACHE PLASTICO BLANCO GUARDAB. TRAS. / PLASTIC RIVET	T4513270	2
25	PUENTE HORQUILLA DELANTERA / FRONT SUSPENSION UNION	BT21500R3009	1
26	TORNILLO ESPECIAL 6X14 / 6X14 SPECIAL SCREW	T0206014	4
28	TUERCA AUTOBLOCANTE M6 C/ARAND / SELF-LOCKING NUT M6	T2206002	3
29	TORNILLO ROSCA-CHAPA 3.5X13 / SCREW 3.5X13	T0603513	2
32	TUBO FLEXIBLE SILICONA BASE ASIENTO / SEAT BASE SILICON HOSE	BT795302811	1
33	ARANDELA 5X12X1'5 / WASHER 5X12X1'5	T4005012	1
35	CTO. FARO TXT RACING / RACING HEADLIGHT SET	BT90000063011	1

GAS GAS

Chasis 5



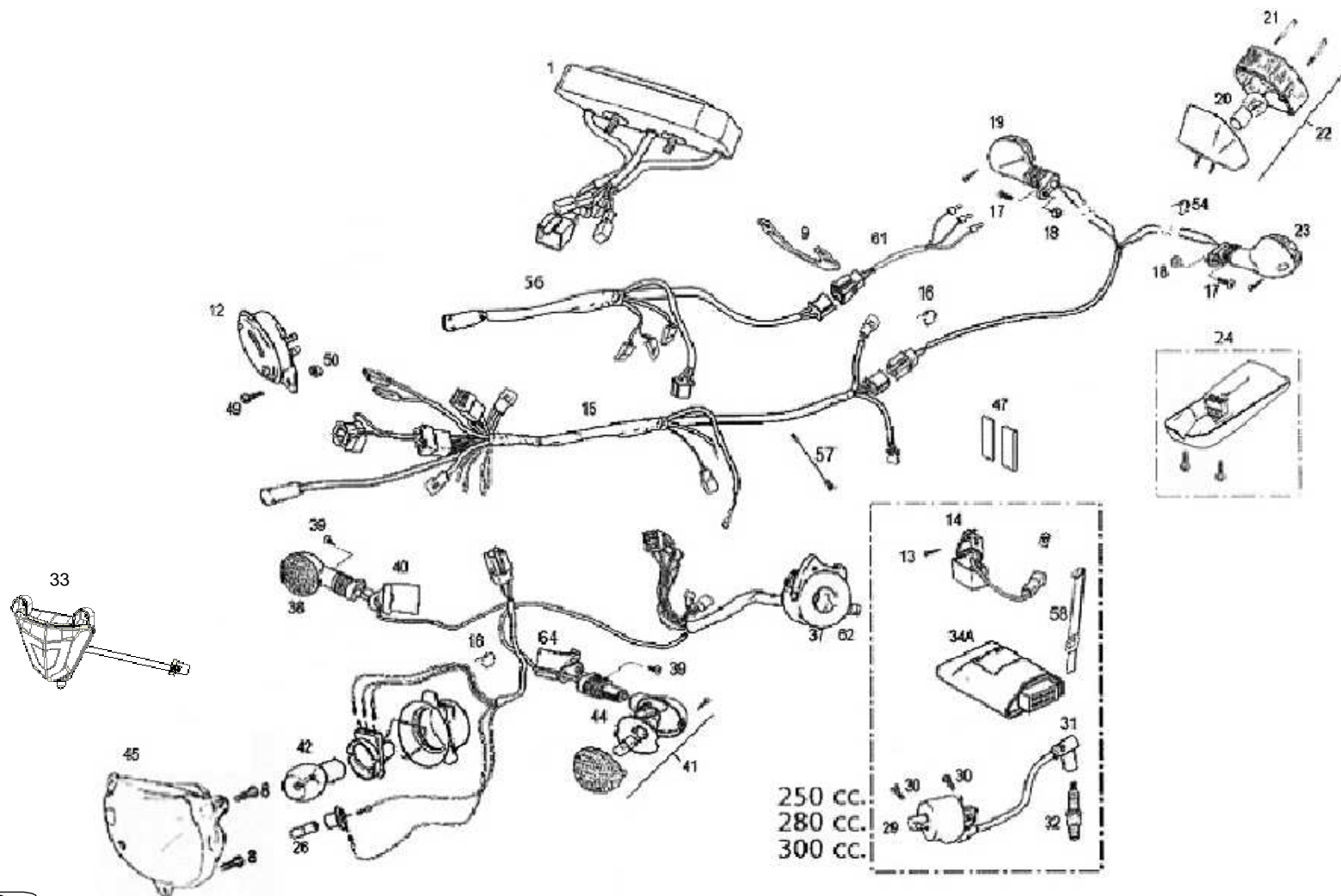
VER MONTAJE PLASTICOS
SEE PLASTICS ASSY



Nº	DESCRIPCION / DESCRIPTION	250 / 280 / 300	Cant.
1	VENTILADOR F-14 / FUN F-14	BFS450332340	1
2	MODULO VENTILADOR / FUN MODULE	BT120532342	1
3	TORNILLO ROSCA CHAPA CON ARANDELA / SCREW THREAD WITH WASHER	T0604210	3
4	TUBO DESVAPORIZADOR DEPÓSITO 41cm. / TANK TUBE 41CM. LONG	BT280310018	1
5	TORNILLO M6X30 / SCREW M6X30	T0206030	1
6	TUBO GASOLINA TRIAL / FUEL HOSE	BT280236004	1
16	CTO. TAPÓN GASOLINA / CPT. PLUG FUEL-PETROL	BT280420010	1
17	DEPÓSITO TRIAL / FUEL TANK	BT80000013011	1
18	JUNTA ADHESIVA DEPÓSITO 125x10 / STICKER TANK GASKET	BT280038018	1
19	JUNTA ADHESIVA DEPÓSITO CHASIS 38 X 1 / STICKER TANK GASKET,FRAME	BT27838018	2
20	ARANDELA GRIFO DEPÓSITO / WASHER TANK TAP	BT27910131	1
21	TUERCA GRIFO DEPÓSITO / NUT TANK TAP	BT27910132	1
22	GRIFO GASOLINA C/90 / FUEL VALVE	BT27810031	1
23	TAPÓN RADIADOR TP50806 TRIAL 2002 / RADIATOR CAP	BT280232032	1
24	CTO. RADIADOR CON VENTILADOR TRIAL PRO / TRIAL PRO RADIATOR	BT70000RCT3009	1
25	GOMAS RADIADOR A CHASIS / RADIATOR TUBE TO FRAME	G220000	3
26	REJILLA RADIADOR TRIAL / RADIATOR PROTECTOR	BT730502809	1
27	ALLEN 6X14 / 6X14 ALLEN BOLT	T0306014	1
28	ULS 6x10 CON ARANDELA / 6X10 ULS BOLT WITH WASHER	T0556010	2
29	TERMO CONTACTO / TERMO-CONTACT	BT280432065	1
30	ABRAZADERA COBRA DE 21 / COBRA CLAMP 21	L200046	4
31	TUBO INFERIOR RADIADOR-BOMBA AGUA / RADIATOR-WATER PUMP LOWER TUBE	BT710002810	1
32	TUBO SUPERIOR RADIADOR-CULATA / RADIATOR-CYL. HEAD UPPER TUBE	BT710502810	1
33	ABRAZADERA ELÁSTICA NEGRA ALAMBRE 9.3X9.9 2016055 / SPRING CLAMP	L200036	2
34	TUBO DESVAPORIZADOR TAPÓN GAS (26cm) / RADIATOR EXCESS TUBE HOSE	BE25620011	1
35	CLIP TERMOSTATO PRO 2005 / SEEGER	BT280432066	1
36	VÁLVULA DESVAP. DEPÓSITO / UNSTEAMER VALVE	BT27836025	1
37	BRIDA UNEX CORTA 2.5X98 / UNEX CALMP	BE25634010	2
38	BRIDA UNEX 2244 4.8X20 / UNEX CLAMP	BE25634009	1
39	FUNDA TERMOCONTACTO / THERMOCONTACT COVER	BT70110R3009	1

GAS GAS

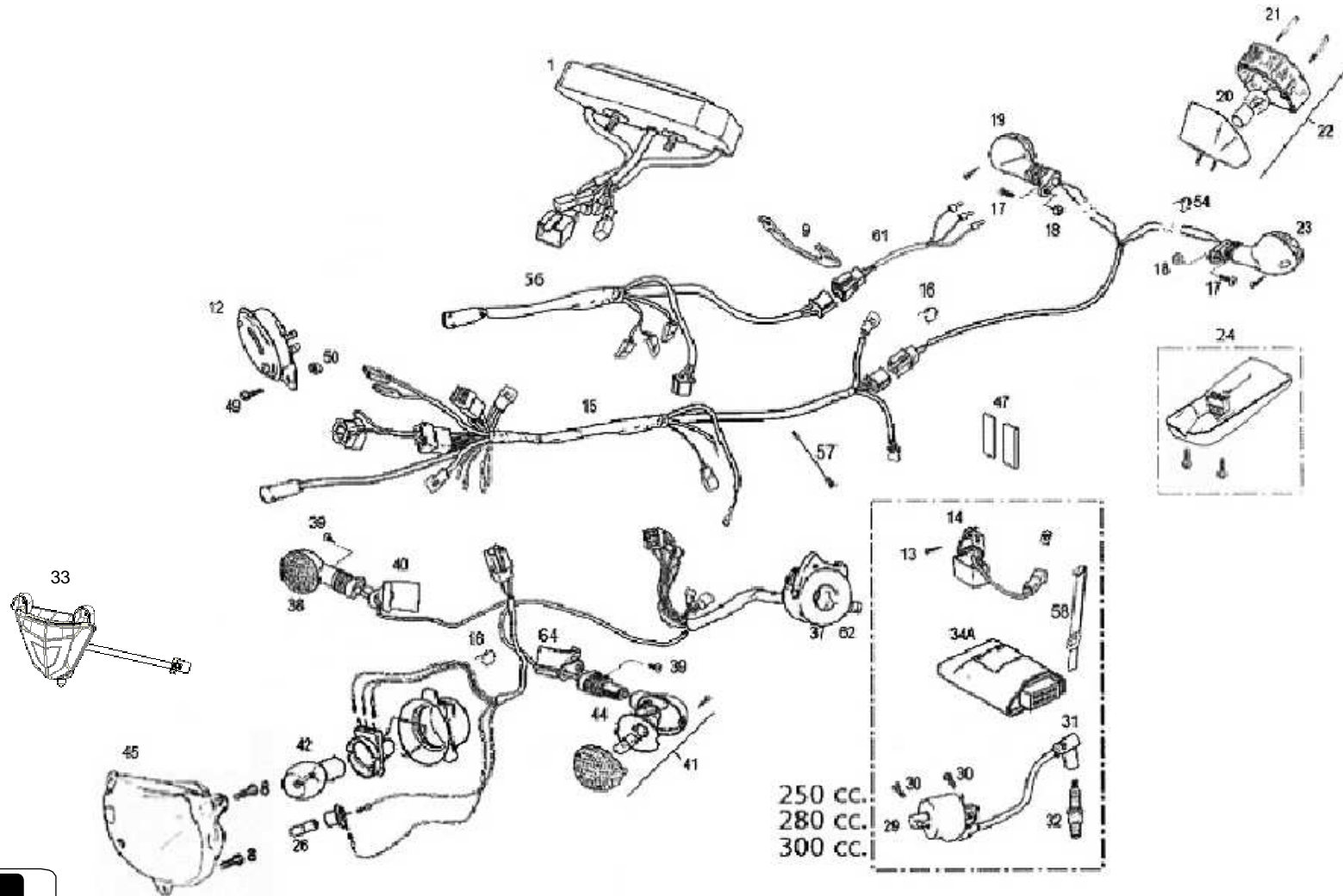
Chasis 7

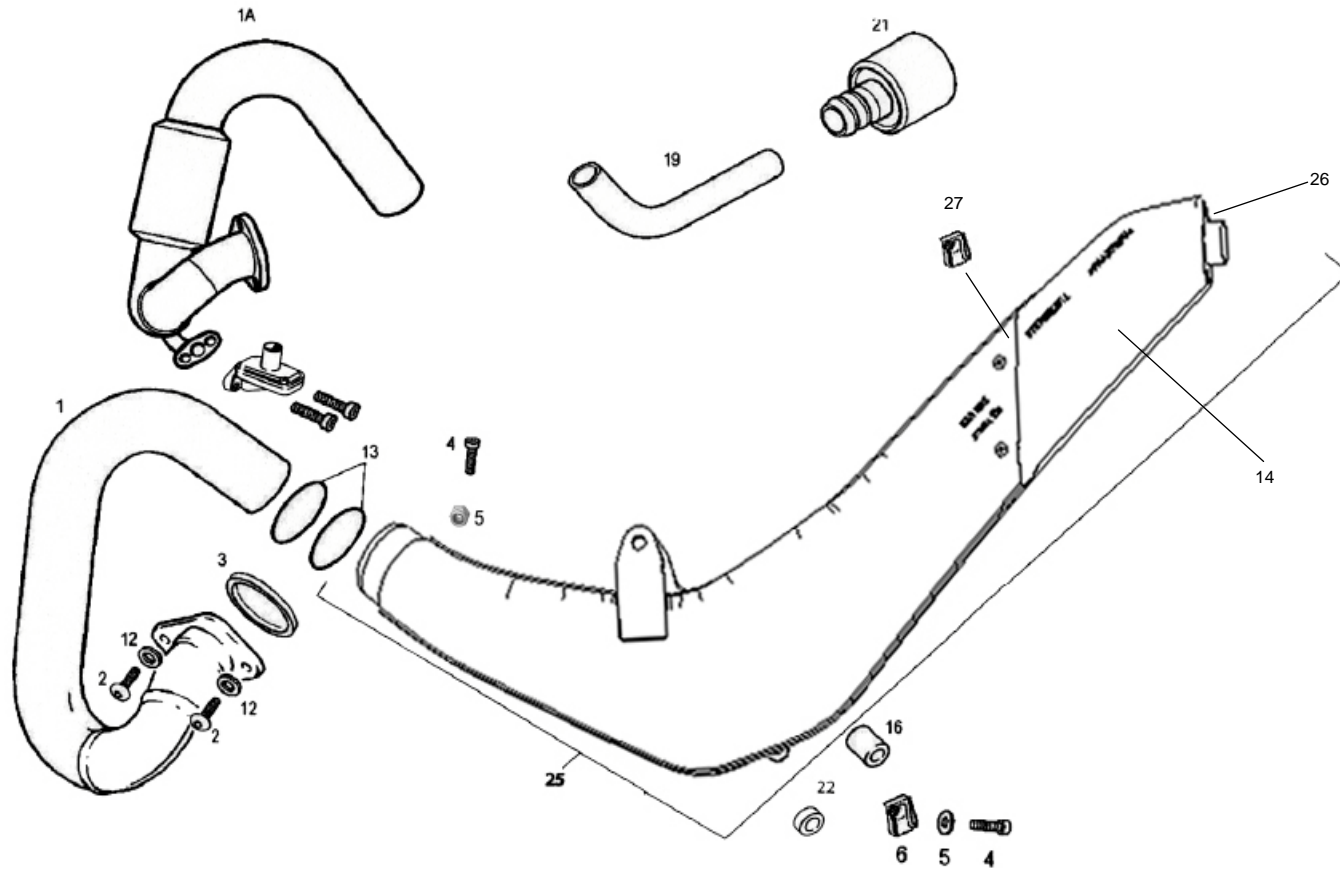


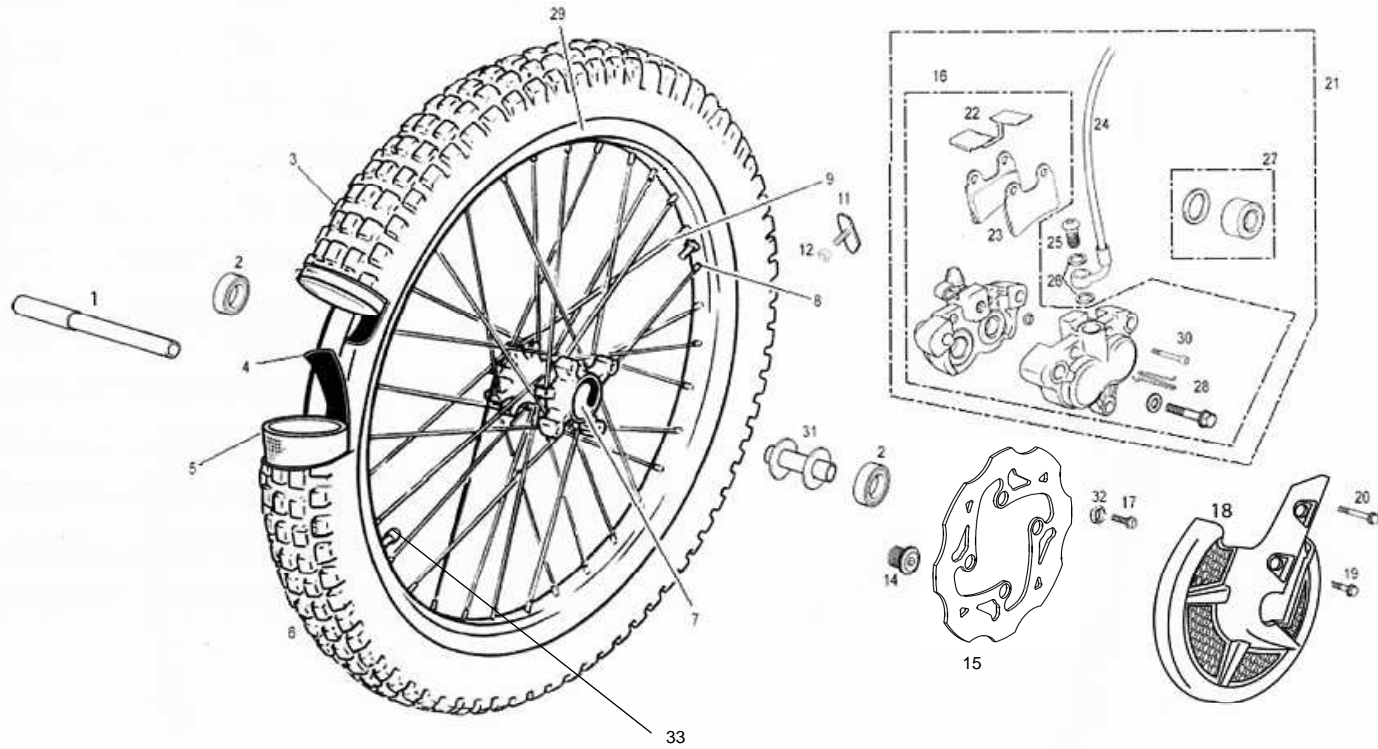
Nº	DESCRIPCION / DESCRIPTION	250 / 280 / 300	Cant.
1	MULTIFUNCIÓN TRIAL / TRIAL MULTIFUNCTION	ET600002808	1
7	BOMBILLA 12V 1,2-9W / 12V 1,2-9W BULB	L300123	3
9	SOPORTE CUENTA KM. / KM. COUNTER SUPPORT	BT280634045	1
12	CTO. CLAXON PE40065G11 / HORN ASSY	L300105	1
13	TORNILLO ESPECIAL 6X14 / 6X14 SPECIAL SCREW	T0206014	1
14	REGULADOR ALTERNADOR / ALTERNATOR REGULATOR	L300031	1
15	INSTALACIÓN TRIAL / TRIAL INSTALLATION	ET10000RC2808	1
15A	INSTALACIÓN HOMOLOGADA / HOMOLOGATED INSTALLATION	ET100002808	1
16	BRIDA UNEX MEDIANA / UNEX CLAMP	BE25634009	3
17	ULS 6X16 NEGRO / 6X16 ULS BLACK BOLT	T0506016N	2
18	TUERCA CON ARANDELA M6 / M6 NUT WITH WASHER	T2206000	2
19	INTERMITENTE DERECHO TRASERO / RIGHT REAR INDICATOR	BT280634018	1
20	BOMBILLA 12V 5-21W / 12V 5-21W BULB	L300116	1
21	CRISTAL FARO TRASERO HOMOLOGADO / HOMOL. REAR LIGHT CAP	BP25734115	1
22	FARO PILOTO TRIAL HOMOLOGADO / HOMOL. TRIAL REAR LIGHT SET	BP27534015	1
23	INTERMITENTE IZQUIERDO TRASERO / LEFT REAR INDICATOR	BT280634019	1
24	FARO PILOTO TRIAL / TRIAL REAR LIGHT SET	ET30000CT2811	1
25	TORNILLO ROSCA CHAPA 3.5X13 / BOLT 3.5X13	T0603513	3
26	LÁMPARA 12V3W BIFARO AM0518 / 12V 3W LAMP	L300119	1
27	TIRA ADHESIVA 45MM. CAJA FILTRO EC2003 / STICKER 45MM.	BE250328039	2
29	BOBINA KOKUSAN IG3815 / KOKUSAN ELECTRIC COIL	ET500002809	1
30	ALLEN 6X16 / ALLEN 6X16 BOLT	T0306016	3
31	PIPA BUJÍA IB05EMH = BT27934000 / SPARK PLUG	BT25934000	1
32	BUJÍA BPR5ES / SPARK PLUG	M04012000	1
33	CTO. OPTICA RACING RAGA 2011	BT90000123011	1
34A	CDI DIGITAL CU7510 TRIAL / TRIAL DIGITAL CDI	MT280534007	1
37	CONMUTADOR LUZ TT-97 / LIGHT SWITCH	ET602012808	1
38	INTERMITENTE DERECHO DELANTERO / FRONT RIGHT INDICATOR	BT280634018	1
39	TORNILLO PHILIPS ROSCA-CHAPA 6.3x16 NEGRO / 6.3X16 CLACK SCREW	T0706316	2
40	SOPORTE INTERMITENTE DELANTERO / FRONT INDICATOR SUPPORT	BE250134017	2

GAS GAS

Chasis 8







Nº	DESCRIPCION / DESCRIPTION	250 / 280 / 300	Cant.
1	EJE RUEDA DELANTERA TRIAL PRO 2004 / FRONT WHEEL AXLE	BT53000R3009	1
2	COJINETE / BEARING	ME120136055	2
3	CUBIERTA DELANTERA 2.75X21 / FRONT TYRE	BT501002810	1
4	GOMA PROTECTOR R14025 2.75X21 REF. 554350 / FRONT FLAP TYRE	N100000	1
5	CÁMARA DELANTERA 2.75X21 REF. 450905 / FRONT TUBE	N120000	1
6	RUEDA DELANTERA TRIAL PRO / PRO FRONT WHEEL	BT50000RCT3011	1
7	CUBO RUEDA DELANTERA TRIAL / FRONT HUB WHEEL	BT280418007	1
8	TUERCA RADIOS 3MM. RUEDA DELANTERA DIA. 6.5 / SPOKE NUT	BT27718001	32
9	RADIO 3X257 RUEDA DELANTERA TRIAL NEGRO / BLACK FRONT WHEEL SPOKE	BT54200N2809	32
11	AGARRE CUBIERTA / TYRE CLAMP	BE25618027	1
12	TUERCA CON ARANDELA ESTRIADA M8 ZINCADA / NUT WITH WASHER	BE25818060	1
14	TORNILLO EJE RUEDA DEL. TRIAL PRO 2004 / FRONT WHEEL AXLE SCREW	BT53010R3009	1
15	DISCO FRENO DELANTERO / FRONT BRAKE DISK	BT52000R3010	1
16	PINZA FRENO DELANTERO / FRONT BRAKE PADS	BT620002811	1
17	HEXAGONAL M8 CON ARANDELA / M8 HEXAGONAL SCREW WITH WASHER	T0206020	4
18	PROTECTOR DISCO FRENO / FRONT BRAKE DISK PROTECTOR	BT94100RB3009	1
19	TORNILLO PINZA FRENO DELANTERA INFERIOR 8X1.25X36.5 / SCREW	BT280022071	1
20	TORNILLO PINZA FRENO DELANTERA SUPERIOR 8X1.25X62.5 / SCREW	BT280022070	1
21	CTO. FRENO DELANTERO TRIAL / FRONT BRAKE SET	BT60000CT2811	1
22	PLANCHA PROTECCIÓN PASTILLAS FRENO / BRAKE PAD PROTECTOR	BT280222213	1
23	PASTILLA FRENO DELANTERA 229.99102 / FRONT BRAKE PAD	BT280222065	2
24	LATIGUILLO FRENO DELANTERO 2000 / FRONT BRAKE TUBE	BT611002811	1
25	SANGRADOR FRENO DELANTERO D8 / HOSE SCREW	BT612002811	1
26	ARANDELA PLANA COBRE 10.25X14X1.4 / 10.25X14X1.4 WASHER	BT27922072	2
27	KIT REPARACION PINZA FRENO DEL. / FRONT BRAKE CALIPER SET	BT280222201	1
28	CHAVETA SUJECCIÓN PASTILLA FRENO / FRONT BRAKE PAD KEY	R250000	1
29	LLANTA DELANTERA COLOR TITANIO / TITAN COLOR FRONT WHEEL RIM	BT540002810	1
30	TORNILLO SUJECCION PASTILLAS / BRAKE PADS SCREW	BT280222006	1
31	CASQUILLO INTERIOR BUJE / BUSHING	BT280418051	1
32	DISTANCIADOR DISCO FLOTANTE / WASHER FLOATING DISC	BT27918019	4
33	JUEGO TAPONES SILICONA VALVULA TRIAL ROJOS	BT555002808R	1
34	CTO. LLANTA DELANTERA RADIADA	BT54000CT2811	1
			1

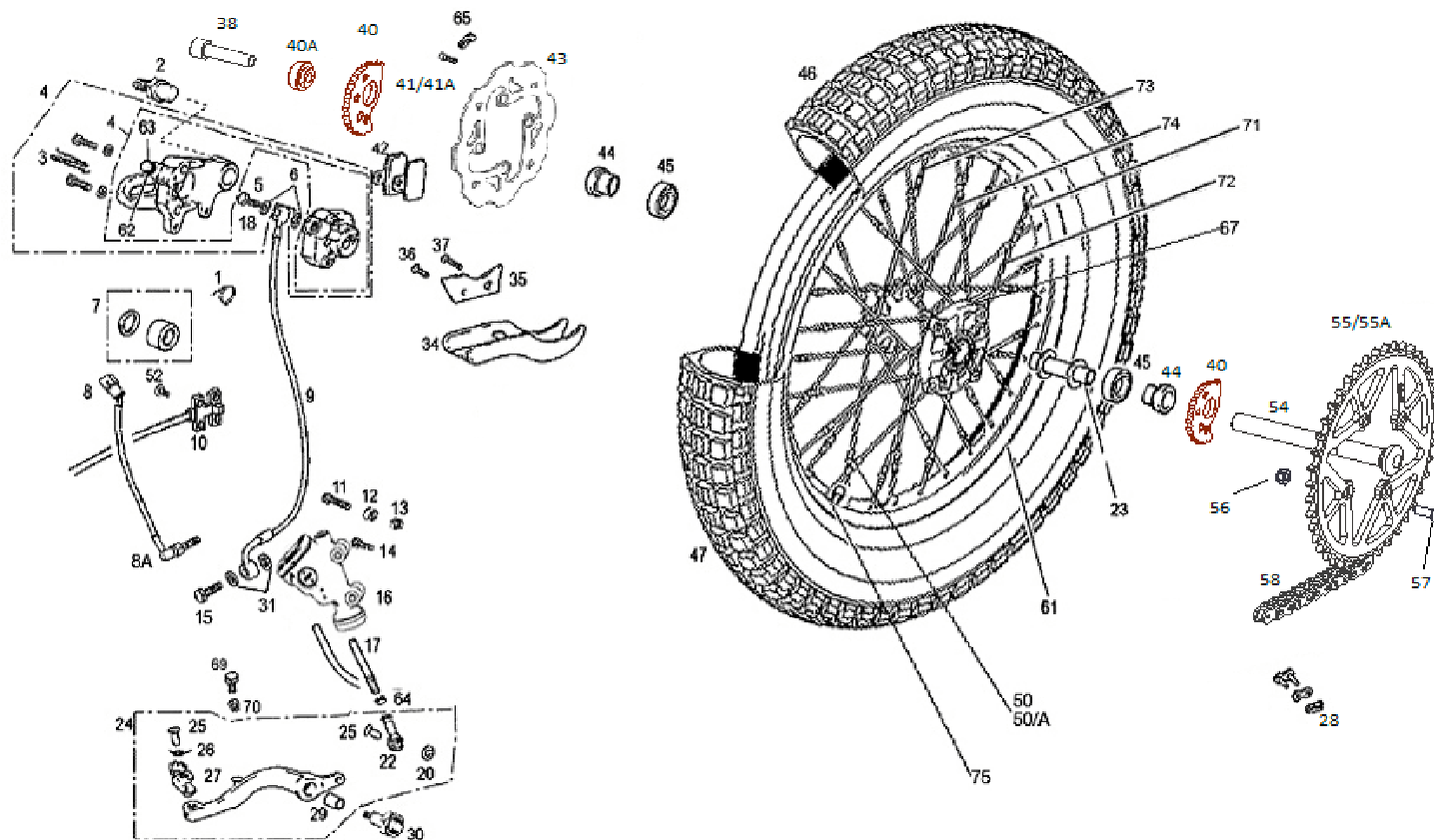
GAS GAS

Chasis 10

**Rueda trasera /
Rear wheel**

GAS GAS

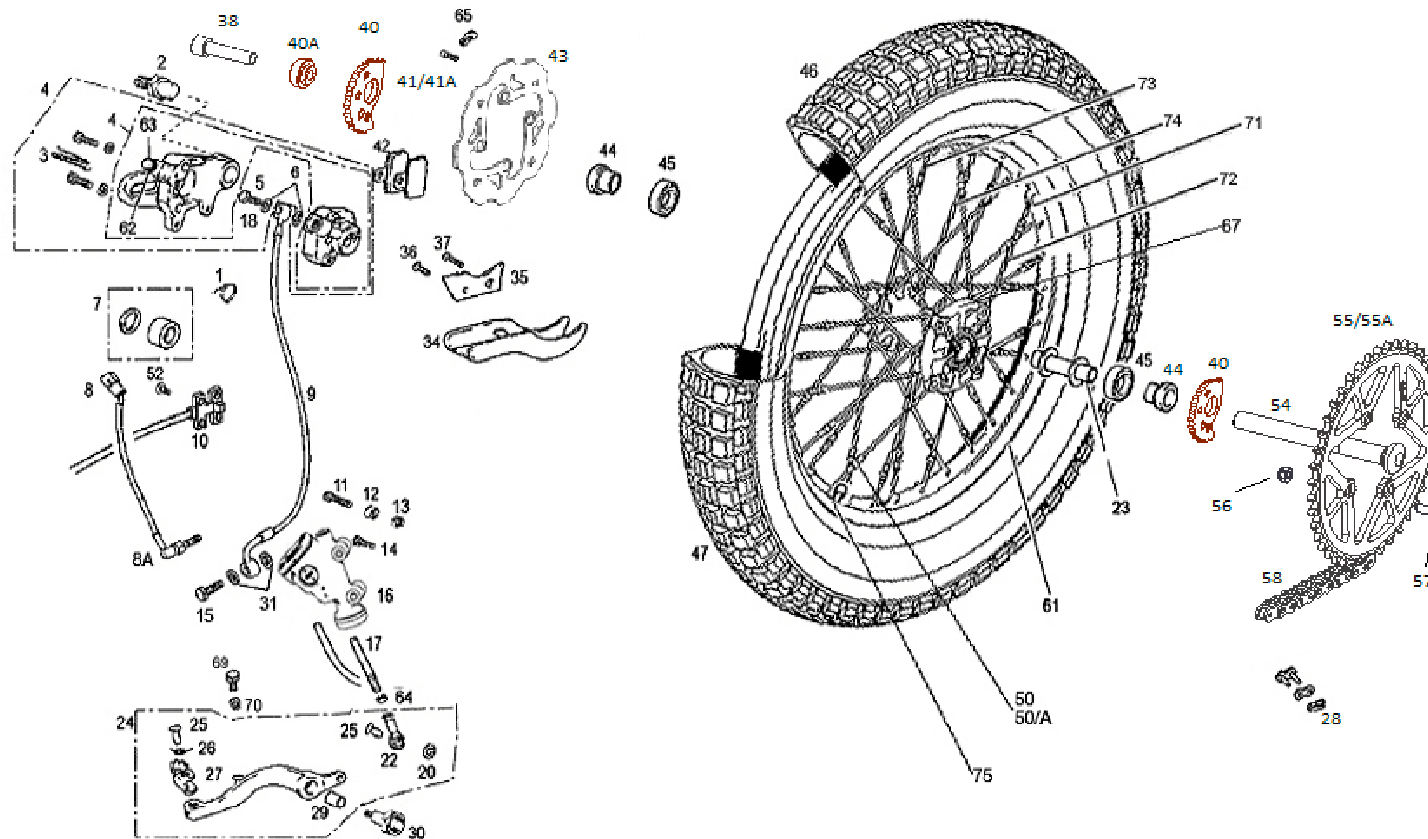
TXT RAGA 2011

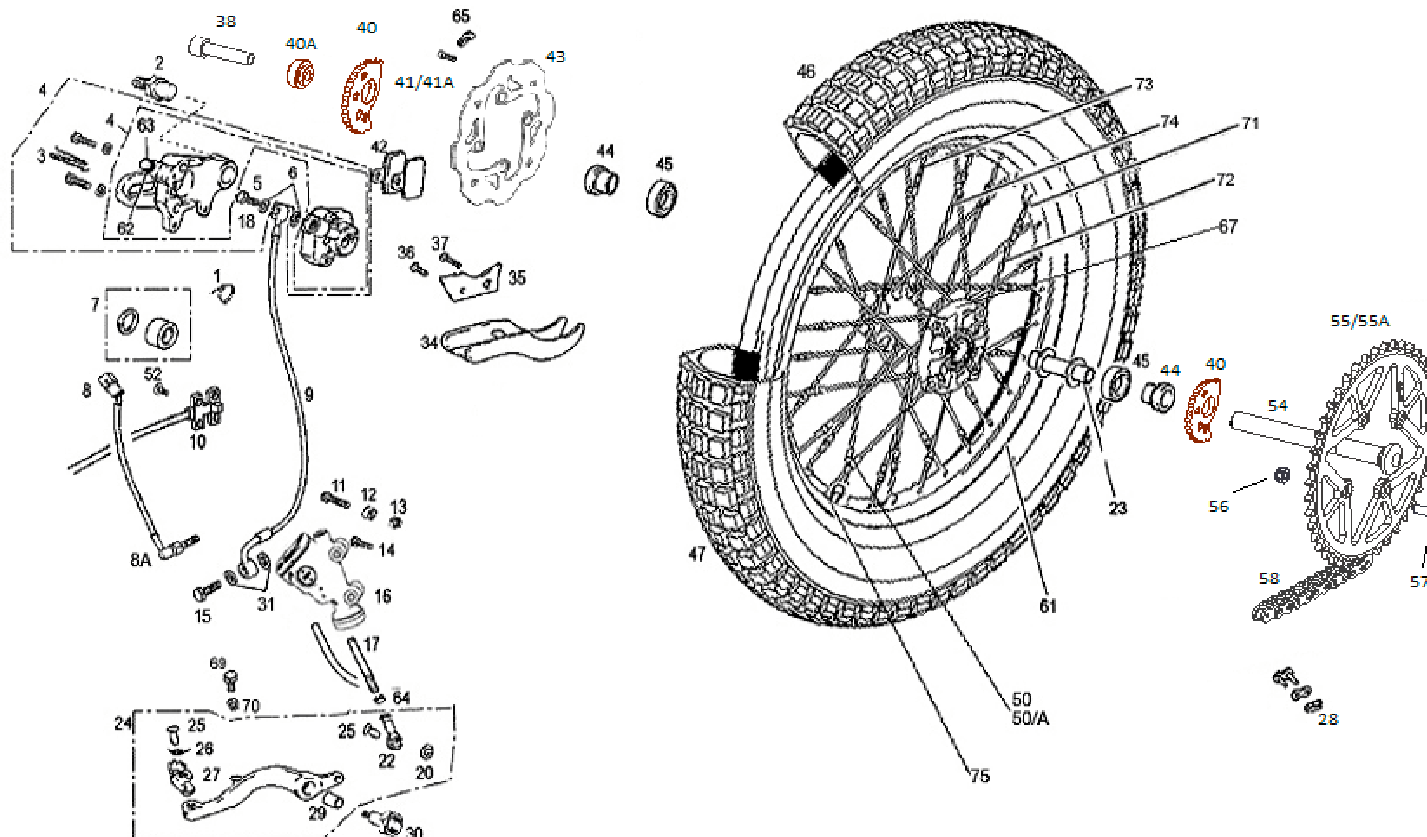


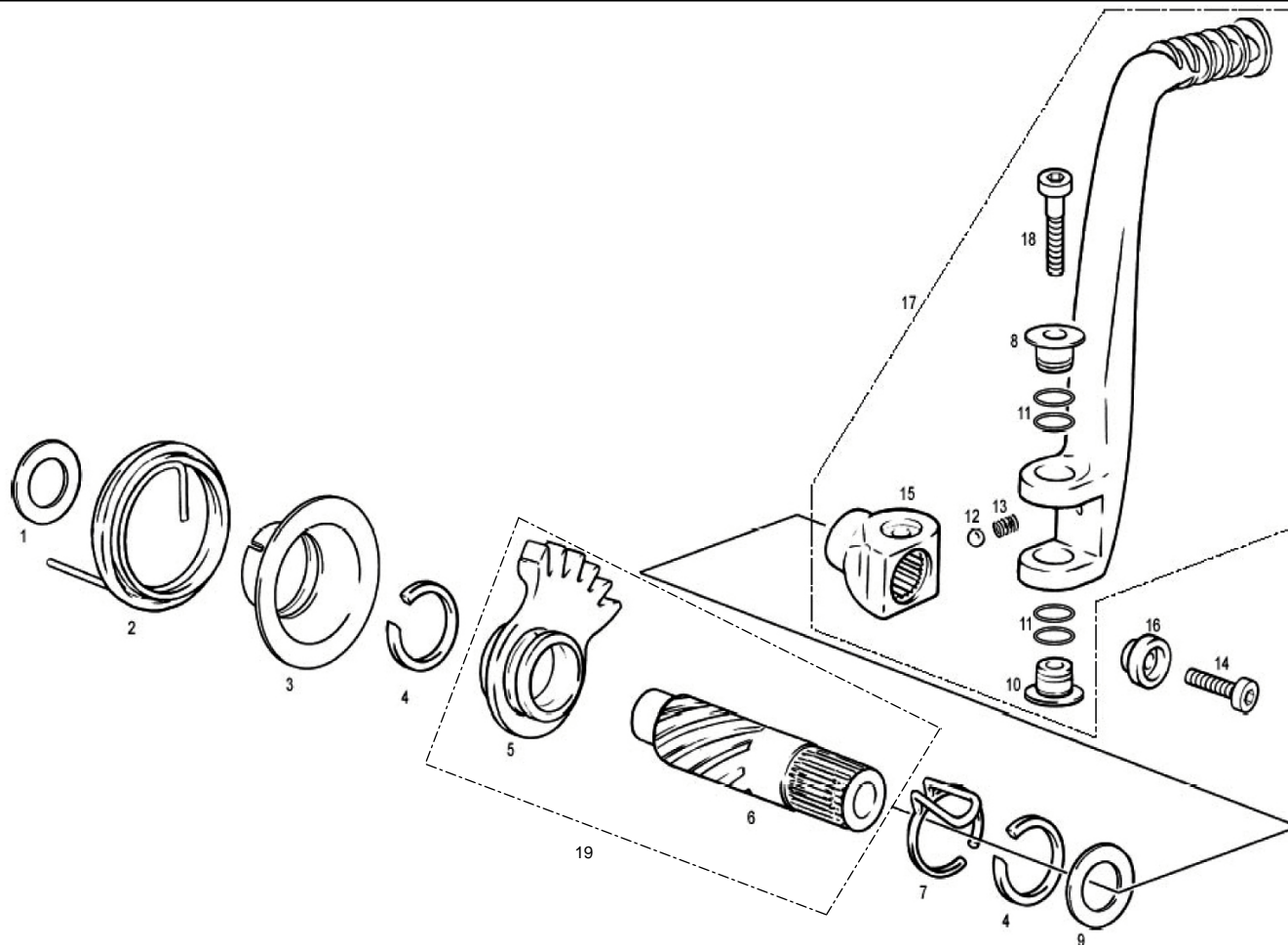
Nº	DESCRIPCION / DESCRIPTION	250 / 280 / 300	Cant.
1	BRIDA UNEX CORTA 2221-0 2,5X98 / 0 2.5X98 / CABLE TIES 2.5X98	BE25634010	1
2	CASQUILLO CENTRADOR PINZA / SPACER BUSHING	BT280222049	1
3	CHAVETA SUJECCIÓN PASTILLA / KEY SPACER BRAKE PADS	R250000	1
4	PINZA FRENO TRASERA / CALIPER BRAKE REAR	BT670002811	1
5	TORNILLO LATERAL BOMBA FRENO TRASERO / BOLT PRESSURE HOSE	R320000	1
6	ARANDELA AL. 10X14X1.5 / WASHER 10X14X1.5	BT280422007	2
7	KIT REPARACIÓN PINZA FRENO / REPAIR KIT BRAKE PAD	BT280222202	1
8	INTERRUPTOR STOP HOMOLOGADO / STOP INTERRUPTOR HOMOL.	BT662052811	1
8A	RACOR LATIGUILLO FRENO	BT662052811	1
9	LATIGUILLO FRENO TRASERO / REAR BRAKE HOSE	BT661002811	1
10	REENVÍO / HALL SENSOR	BT280634050	1
11	TORNILLO 6X25 / 6X25 BOLT	T0206025	1
12	CASQUILLO SEPARADOR FRENO TRASERA / REAR BRAKE PUMP SPACER	BT280226240	1
13	TUERCA CON ARANDELA M6 (DIN 6923) ESTRIADA / M6 NUT WITH WASHER	T2206000	2
14	TORNILLO ESPECIAL 6X14 / 6X14 SPECIAL SCREW	T0206014	1
15	RACOR LATIGUILLO BOMBA FRENO D8	BT662002811	1
16	BOMBA FRENO TRASERO / REAR BRAKE PUMP	BT660002811	1
17	VARILLA FRENO TRASERA TRIAL 2002 / BRAKE ROD	BT280222062	1
18	RACOR SENSOR FRENO BOMBA TRASERA.	BT662052811	1
20	ARANDELA PLANA 6X12X1.5 / WASHER 6X12X1.5	T4006012	1
22	RÓTULA PEDAL FRENO / BRAKE PEDAL BALL-AND-SOCKET JOINT	BT280222053	1
23	CASQUILLO SEPARADOR 390.80.221 / BUSHING	BT280218052	1
24	CTO. PEDAL FRENO TRASERO / REAR BRAKE PEDAL SET	BT13000CT2809	1
25	REMACHE PUNTERA PEDAL FRENO / BRAKE PEDAL END RIVET	BE25922018	1
26	MUELLE PUNTERA PEDAL / SPRING PEDAL, END GEAR CLEVER	ME25636029	1
27	PUNTERA PEDAL FRENO / TOE PEDAL BRAKE	BT27922017	2
28	ENGANCHE CADENA IRIS 520 RXL / CHAIN SPLIT LINK	BT280310066	1
29	GLACIER PEDAL FRENO 1215PD10 / GLACIER BRAKE PEDAL	C200101	1
30	CASQUILLO TORNILLO PEDAL FRENO TRIAL / SCREW BUSHING	BT280610302	1
31	ARANDELA RACOR D8X12X1.5	BT662102811	2

GAS GAS

Chasis 11



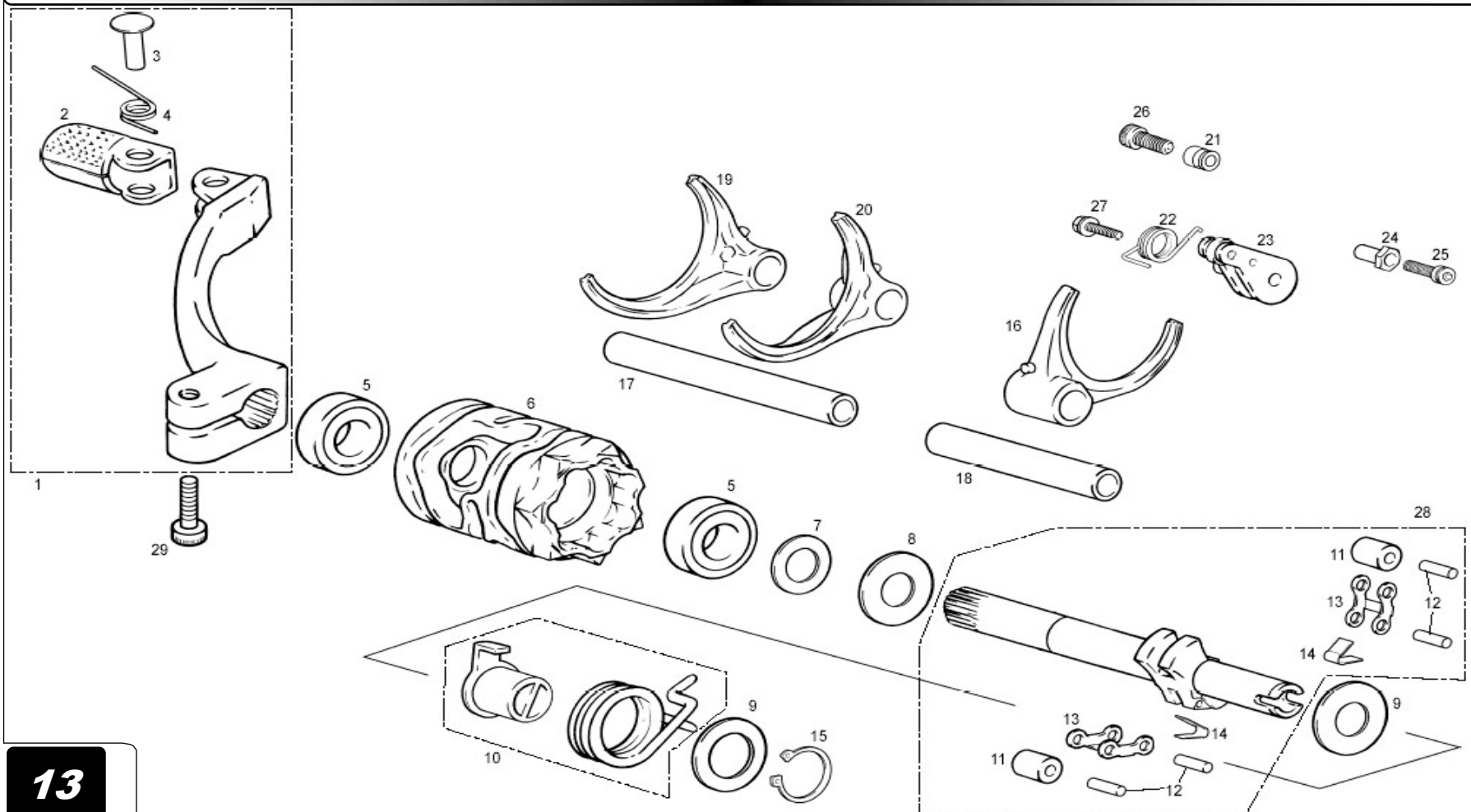




**Selector de cambio /
Shift cam**

GAS GAS

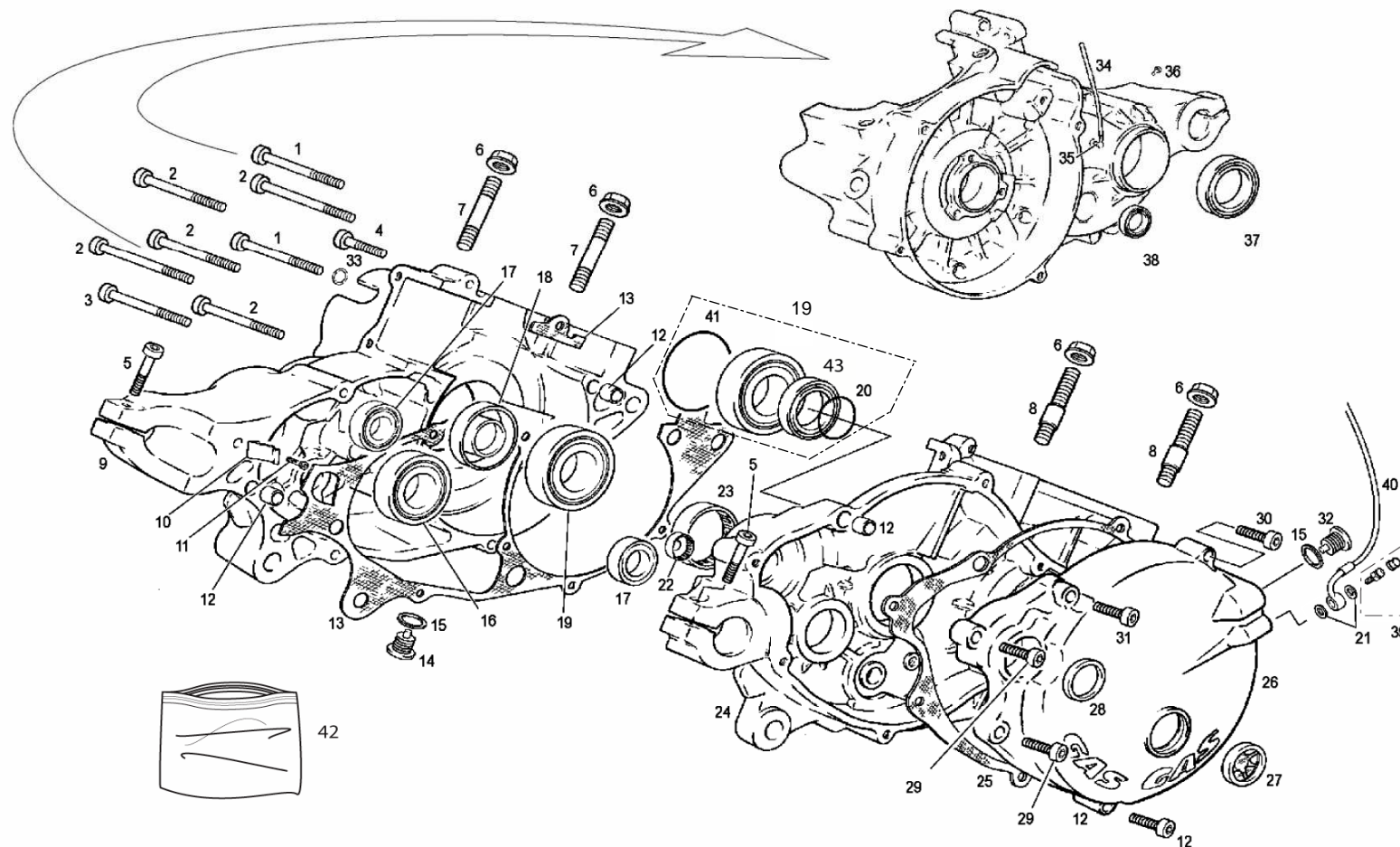
TXT RAGA 2011



Nº	DESCRIPCION / DESCRIPTION	250 / 280 / 300	Cant.
1	CTO. PEDAL CAMBIO / GEAR PEDAL COMPLETE	MT280238026	1
2	PUNTERA PEDAL CAMBIO / GEAR PEDAL END	ME25636027	1
3	REMACHE PUNTERA CAMBIO / RIVOT PEDAL END	ME25636030	1
4	MUELLE PUNTERA PEDAL CAMBIO / PEDAL END SPRING	M121000	1
5	COJINETE 12X24X6 2Z DESMO / 12X24X6 2Z DESMO BEARING	MT280238032	2
6	DESMODRÓMICO / SHIFT DRUM	MT280238031	1
7	ARANDELA 12,2X18X0,5 / 12,2X18X0,5 WASHER	T4001218	1
8	ARANDELA 12,2X24X0,5 / 12,2X24X0,5 WASHER	T4001224	1
9	ARANDELA 10,2X24X0,5 / 10,2X24X0,5 WASHER	T4011024	2
10	POSICIONADOR Y MUELLE EJE SELECTOR / SHIFT SHAFT CENTER LOCATOR AND SPRING	MT280238037CT	1
11	RODILLO TRINQUETE SELECTOR / RATCHET ROLLER	MT280238040	2
12	AGUJA 3X13,8 / 3X13,8 NEEDLE	MT280238048	4
13	TRINQUETE SELECTOR / RATCHET ARM SELECTOR	MT280238036	2
14	MUELLE TRINQUETE SELECTOR / RATCHET SEL. SPRING	MT280238039	2
15	CIRCLIP E10 EJE / E10 SHAFT CIRCLIP	M03314011	1
16	HORQUILLA PRIMARIA / SHIFT FORK PRIMARY	MT280238009	1
17	EJE HORQUILLA LARGO / LONG FORK SHAFT	MT280238044	1
18	EJE HORQUILLA CORTO / SHORT FORK SHAFT	MT280238045	1
19	HORQUILLA 2-4-5-6 / 2-4-5-6 FORK	MT280238007	1
20	HORQUILLA 1-3 / 1-3 FORK	MT280238008	1
21	TOPE MUELLE FIJADOR / SPRING REST POST	MT280238049	1
22	MUELLE FIJADOR MARCHAS / GEAR SELECTOR SPRING	MT280238034	1
23	FIJADOR MARCHAS / GEAR SELECTOR ARM AND ROLLER	MT280238033	1
24	TOPE MUELLE EJE SELECTOR / SELECTOR SPRING TOP SHAFT	MT280238050	1
25	ALLEN 5X25 DACROMET / 5X25 DACROMET ALLEN BOLT	T0305025	1
26	ALLEN 5X20 / 5X20 ALLEN	T0305020	1
27	HEXAGONAL 5X25 CON ARANDELA / HEXAGONAL BOLT WITH WASHER	BT280010086	1
28	CONJUNTO EJE SELCTOR / SHIFT SHAFT SET	MT280238043	1
29	ALLEN 5X15 / 5X15 ALLEN	T0305015	1

GAS GAS

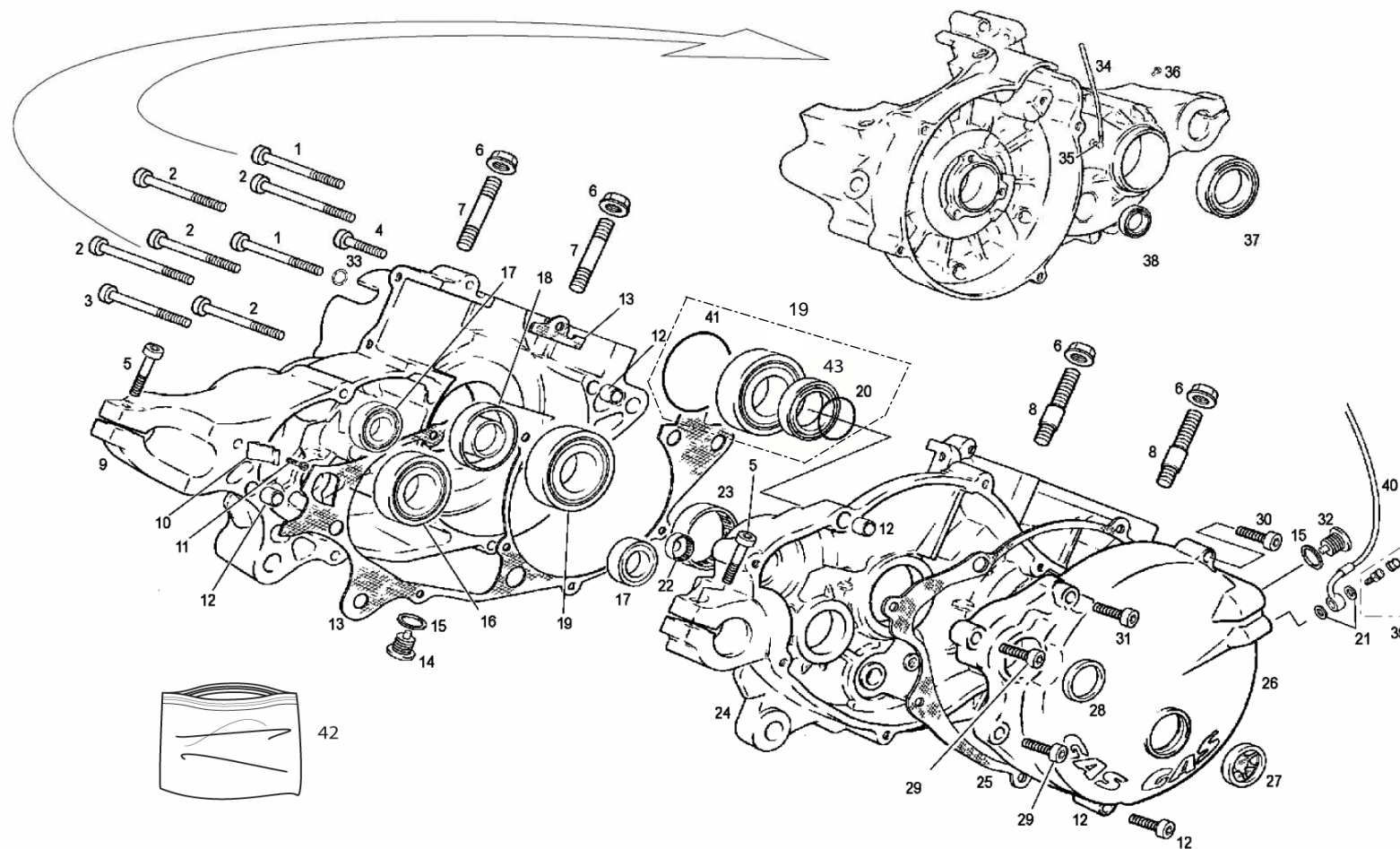
Motor 2

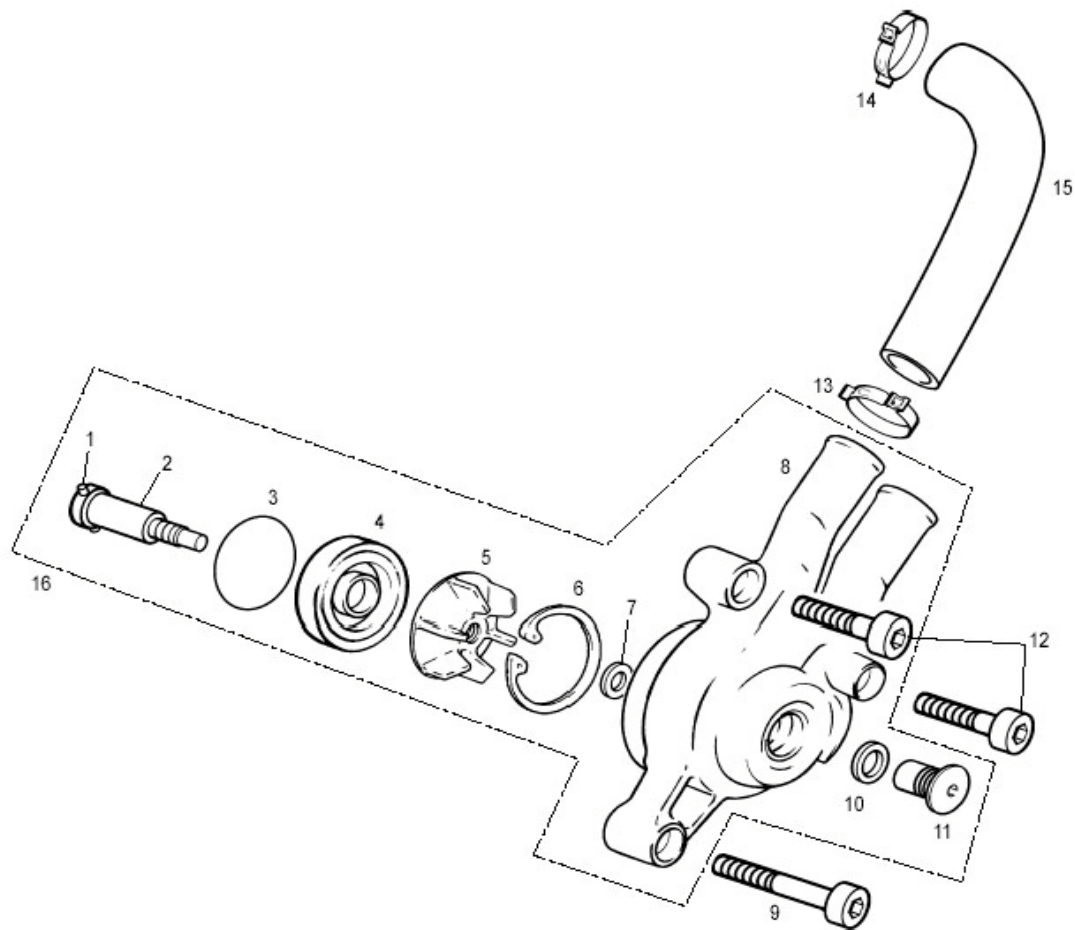


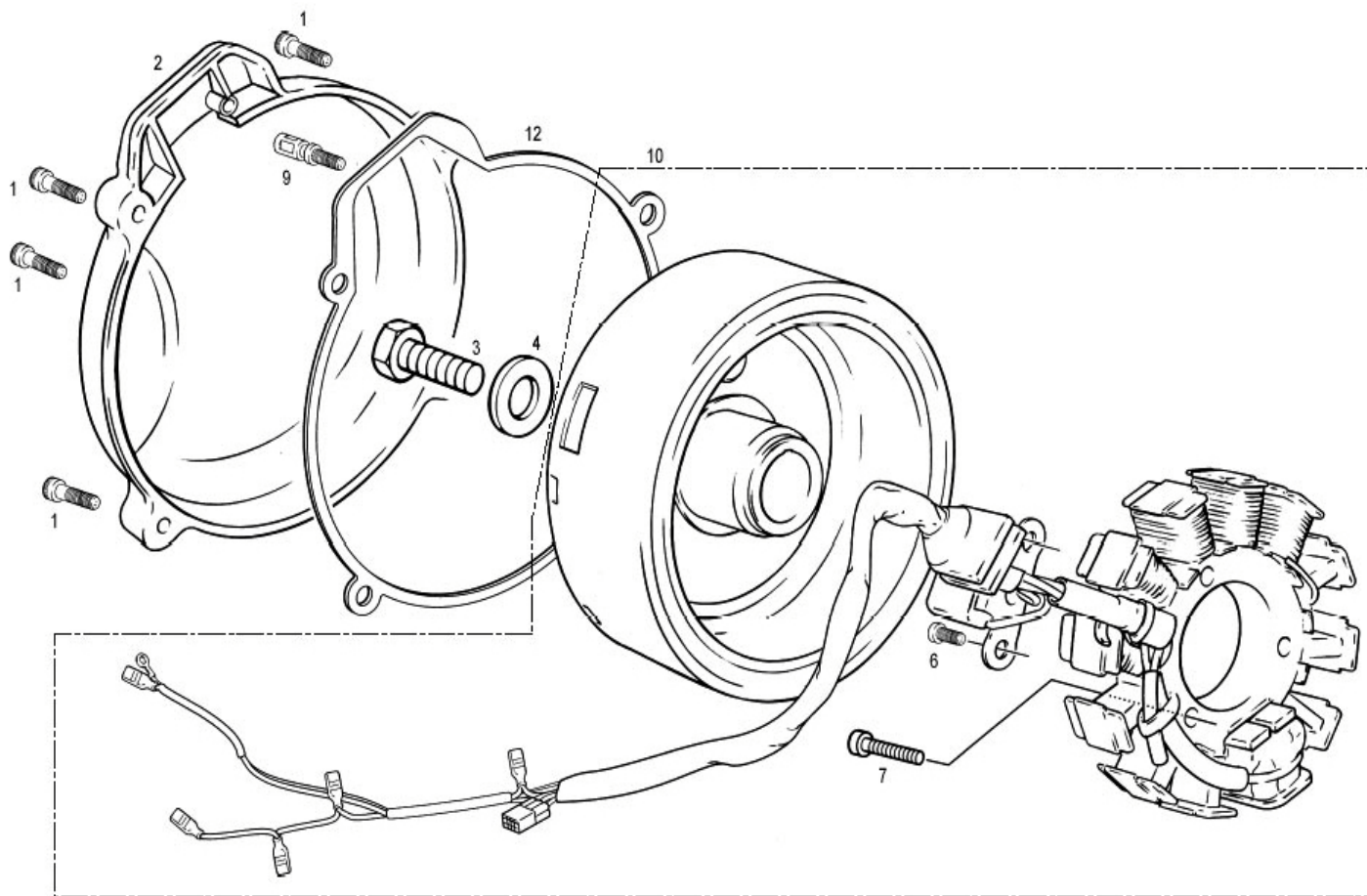
Nº	DESCRIPCION / DESCRIPTION	250 / 280 / 300	Cant.
1	ALLEN 5X65 ZINCADO NEGRO / 5X65 BLACK ALLEN BOLT	T0315065	2
2	ALLEN 5X55 ZINCADO NEGRO / 5X55 BLACK ALLEN BOLT	T0305055	5
3	ALLEN 5X75 ZINCADO NEGRO / 5X75 BLACK ALLEN BOLT	T0315075	1
4	ALLEN 5X35 DACROMET / 5X35 DACROMET ALLEN BOLT	T0305035	1
5	ALLEN 5X20 DACROMET / 5X20 DACROMET ALLEN BOLT	T0305020	2
6	TUERCA CILINDRO 8.8 ESP / CILINDER NUT	M01613001	4
7	ESPÁRRAGO CILINDRO / BASE STUD CYLINDER LEFT	MT280216023	2
8	ESPÁRRAGO CON CENTRAJE / BASE STUD CYLINDER RIGHT	MT280216056	2
9	CÁRTER MG. IZQUIERDO TRIAL / LEFT CRANKCASE HALF	MT280310001RA	1
10	TOPE ARRANQUE TRIAL / STOP KICKSTART PEDAL	MT280226011	1
11	ALLEN 5X15 DACROMET / 5X15 DACROMET ALLEN BOLT	T0305015	1
12	CASQUILLO CENTRADOR CÁRTER 6X9X14 / CRANKCASE BUSHING	M01017000	4
13	JUNTA CÁRTER CENTRAL 0.2 MM / CENTER CRANKCASE GASKET	MT280344001	1
14	TAPÓN VACIADO ACEITE CON IMÁN / MAGNETIC OIL DRAIN PLUG	ME25610017	1
15	ARANDELA TIPO BUJÍA 12X18X2 / WASHER	MT280410030	2
16	COJINETE 25X47X12 / 25X47X12 / BEARING	MT280236159	1
17	COJINETE 15X32X9 6002 2RSL CAMBIO / BEARING GEAR	MT280236160	2
18	RETÉN 25X35X7 TEFLÓN CIGUEÑAL IZQUIERDO / OIL SEAL CRANK SHAFT	MT280212009	1
19	COJINETE CIGUEÑAL ST5225 / ST5225 CRANKSHAFT BEARING	MT31000CT2811	2
20	TÓRICA 25X1.5 NBR / O'RING	MT280212025	2
21	ARANDELA AM 10X14X1.5 / WASHER	BT280422007	2
22	COJINETE BK1412 ARRANQUE TRIAL / KICKSTART BEARING	MT280226067	1
23	COJINETE 35X45X12 NQ (EJE PRIMARIO) / 35X45X12 BEARING	MT280236158	1
24	CÁRTER MG DERECHO TRIAL / RIGHT CRANKCASE	MT280310000RA	1
25	JUNTA TAPA EMBRAGUE / CLUTCH COVER GASKET	MT280244002	1
26	TAPA EMBRAGUE MG TRIAL / CLUTCH COVER	MT280532001RA	1
27	VISOR NIVEL ACEITE EC400-4T / OIL LEVEL SIGHT GLASS	MFS400110015	1
28	RETÉN 18-24-4 TRIAL 2002 / 18-24-4 4 KICKSTART SHAFT SEAL	MT280226016	1
29	ALLEN 5X25 DACROMET / 5X25 DACROMET ALLEN BOLT	T0305025	2
30	ALLEN 5X30 DACROMET / 5X30 DACROMET ALLEN BOLT	T0305030	2
31	ALLEN 5X40 DACROMET / 5X40 DACROMET ALLEN BOLT	T0305040	1
32	TAPÓN LLENADO ACEITE / OIL FILL PLUG	M01016002	1
33	ARANDELA 5X9X1.5 COBRE / 5X9X1.5 WASHER	T4000509	1

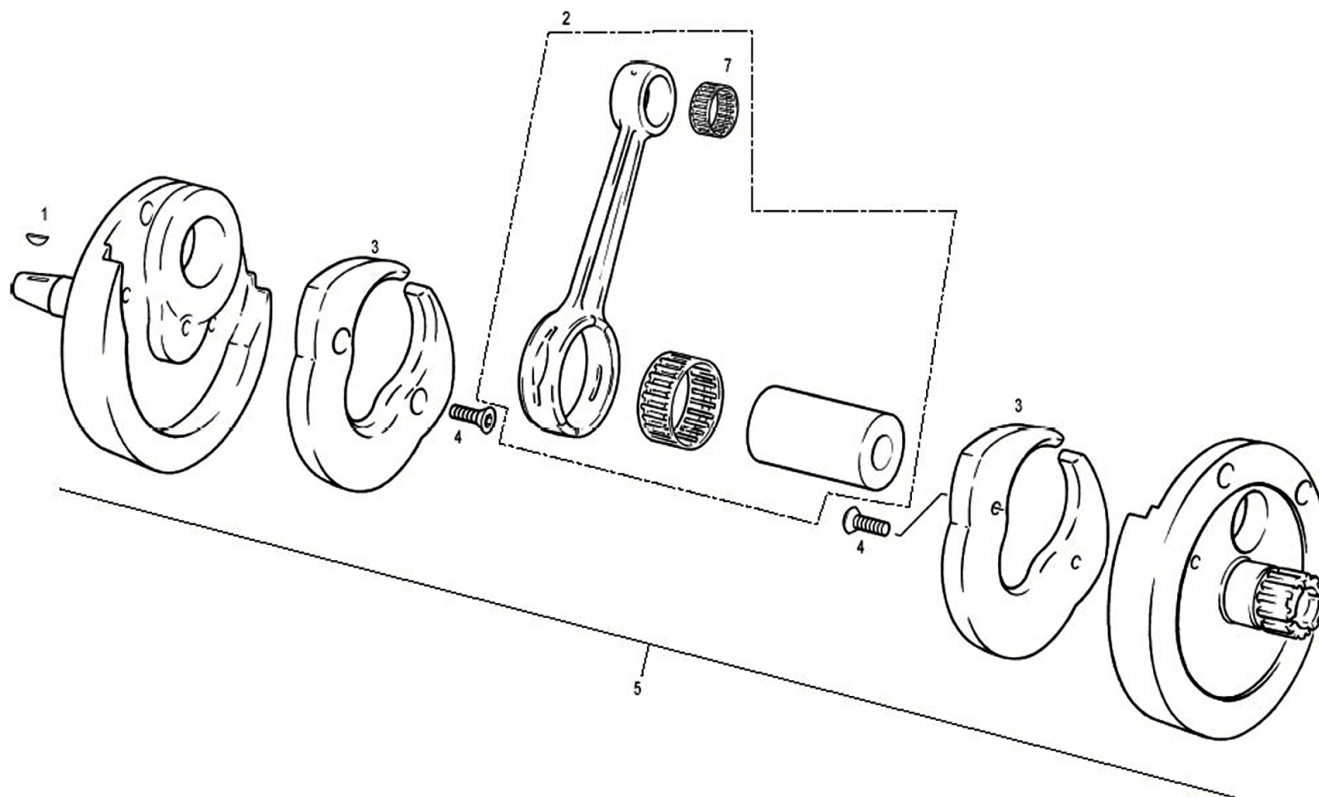
GAS GAS

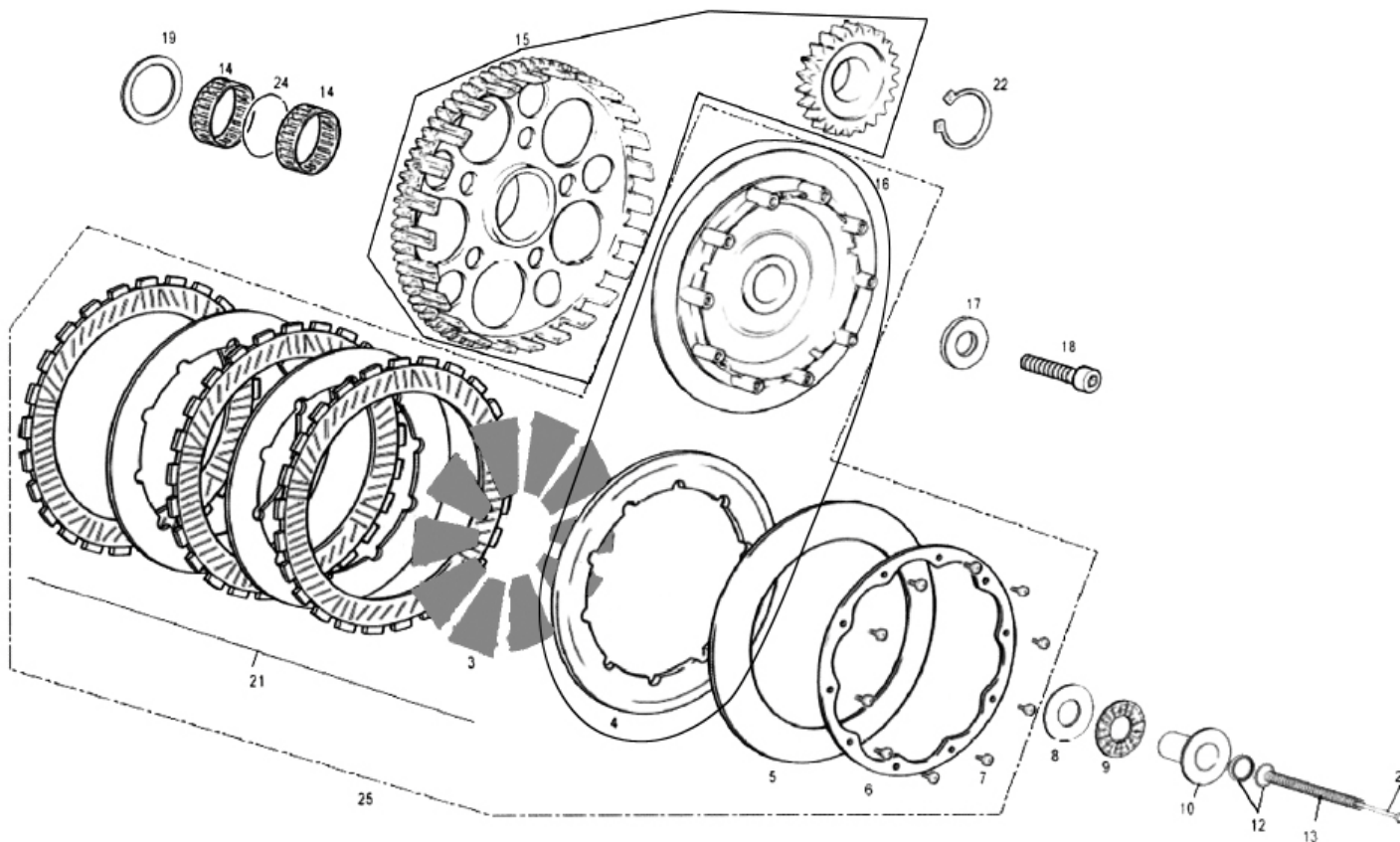
Motor 3



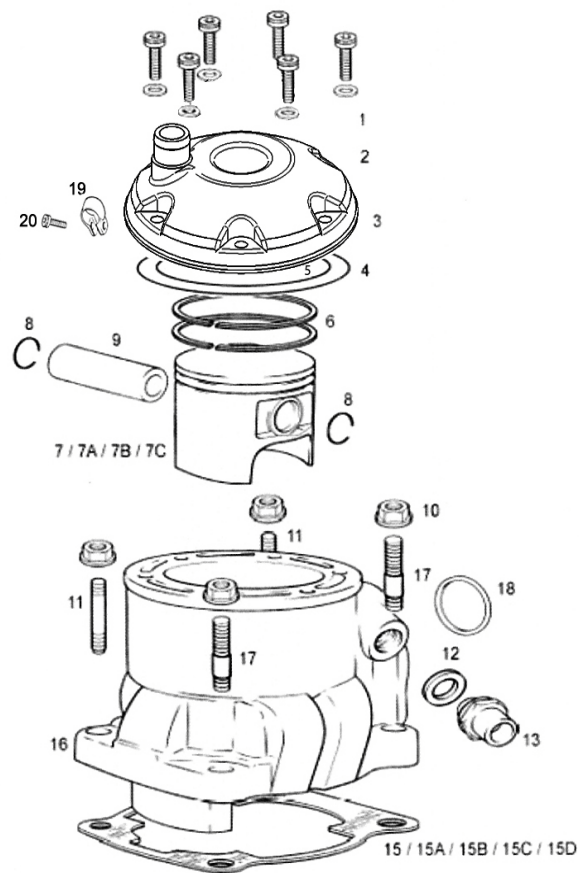








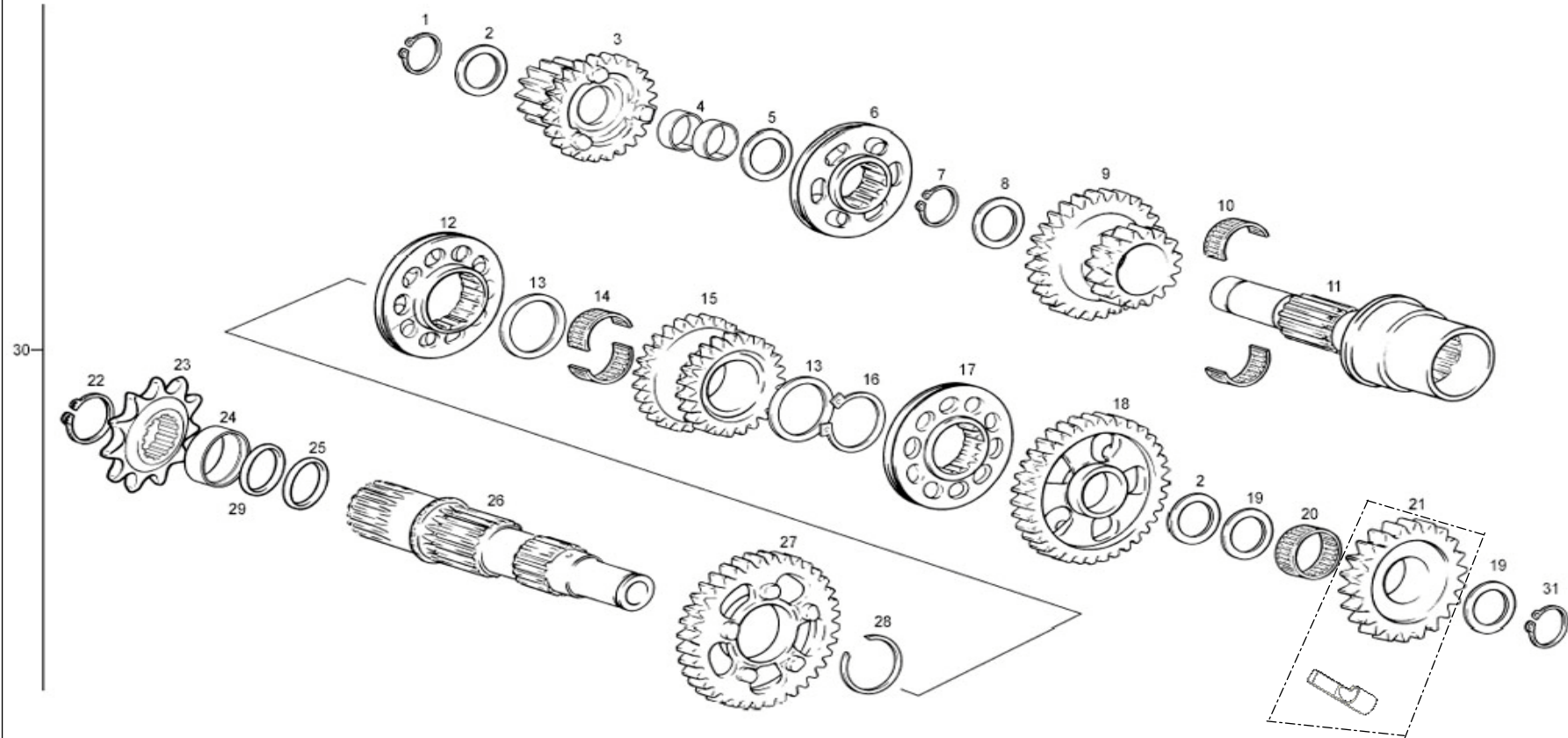
250 cc. / 280 cc. / 300 cc.



Nº	DESCRIPCION / DESCRIPTION	250	280	300	Cant.
1	ALLEN 6X25 / 6X25 ALLEN BOLT		T0306025	-	6
2	ARANDELA COBRE 6X10X1.5 / 6X10X1.5 WASHER		T4006008	-	6
3	CULATA TRIAL 2003 / CYL. HEAD	MT750002510	MT750002810	MT750003010	1
4	TÓRICA CULATA EXTERIOR / O'RING CYL. EXTERIOR	-	M01619135	-	1
5	TÓRICA CULATA INTERIOR / O'RING CYL. INTERIOR	M01619215	M01619215	MT300416065	1
6	AROS PISTÓN / PISTON RING	MT250516040	MT710012808	MT710203010	2
7	PISTÓN TRIAL SXXI / PISTON TRIAL	MT250516020	MT71000CT2808	MT710003010	1
7A	PISTÓN LETRA B / PISTON B	MT250516121	MT71001CT2808	MT710013010	1
7B	PISTÓN LETRA C / PISTON C	MT250516122	MT280216122	MT300316122	1
7C	PISTÓN LETRA D / PISTON D	MT250516123	MT280216123	-	1
8	CIRCLIP PISTÓN / CLIP PISTON		MT280216126	-	2
9	BULÓN PISTÓN / PIN PISTON		MT280216125	-	1
10	TUERCA CILINDRO / CYLINDER NUT		M01613001	-	4
11	ESPÁRRAGO CILINDRO / STUD BOLT CYLINDER		MT280216023	-	2
12	ARANDELA PLANA FIBRA / FIBER WASHER		M01612026	-	1
13	RACORD CILINDRO / CYLINDER WATER HOSE NECK		MT280210013	-	1
14	ADAPTADOR CILINDRO / CYLINDER ADAPTER		-	-	1
15	JUNTA CILINDRO 0,8 mm. / 0,8 mm. GASKET CYLINDER BASE		MT280244000	-	1
15A	JUNTA CILINDRO 0,3 mm. / 0,3 mm GASKET CYLINDER BASE		MT280244009	-	1
15B	JUNTA CILINDRO 1 mm. / 1 mm. GASKET CYLINDER BASE		MT280244010	-	1
15C	JUNTA CILINDRO 0,5 mm. / 0,5 mm. GASKET CYLINDER BASE		-	-	1
15D	JUNTA CILINDRO 0,15 mm. / 0,15 mm. GASKET CYLINDER BASE		MT280244015	-	1
16	CILINDRO TRIAL / CYLINDER	MT70002509	MT70002809	MT70003009	1
17	ESPÁRRAGO CON CENTRAJE / STUD WITH CENTER		MT280216056	-	2
18	JUNTA ESCAPE / EXHAUST GASKET		MT280244012	-	1
19	GRAPA SUJECCION CABLES / WIRE SUPPORT		ET750502809	-	1
20	ALLEN 4X6 ZINCADO / M4X6 ALLEN		T0304006	-	1
21	CTO. CILINDRO Y PISTON / SET CYLINDER AND PISTON	MT70000CT2509	MT70000CT2809	MT70000CT3009	1

GAS GAS

Motor 8

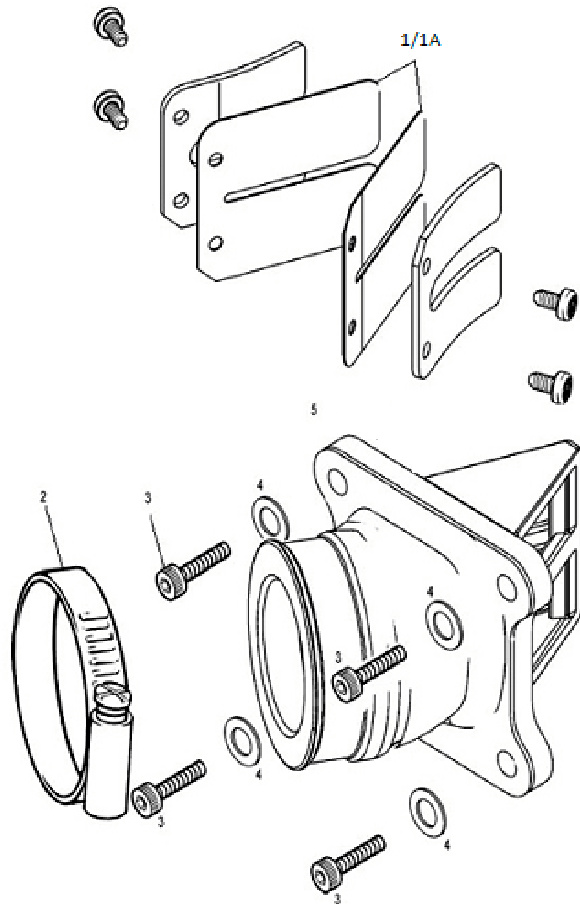


Nº	DESCRIPCION / DESCRIPTION	250 / 280 / 300	Cant.
1	CIRCLIP E15 DIN471 / E15 CIRCLIP	MT280236163	2
2	ARANDELA 15,2X23X0,5 / 15,2X23X0,5 WASHER	T4001523	4
3	PIÑÓN 2 / PINION 2	MT280236071	1
4	DOLLA / BUSHING	MT280236164	2
5	ARANDELA 17X23X0,5 / 17X23X0,5 WASHER	T4001723	1
6	DESPLAZABLE PRIMARIO / PRIMARY SELECTOR DISC	MT280236073	1
7	CIRCLIP E20 DIN 471 REBAJADO / E20 CIRCLIP	MT280236165	1
8	ARANDELA 20X25X0,5 / 20X25X0,5 WASHER	T4002025	1
9	PIÑÓN 3 / PINION 3	MT280236072	1
10	JAULA AGUJAS / NEEDLE BEARING	MT280236162	2
11	EJE PRIMARIO / PRIMARY SHAFT	MT280236070	1
12	DESPLAZABLE 2 SECUNDARIO / SECONDARY SELECTOR DISC	MT280236080	1
13	ARANDELA 22X27X0,5 / 22X27X0,5 WASHER	T4002227	2
14	JAULA AGUJAS / NEEDLE BEARING	MT280236161	2
15	PIÑÓN 5 / PINION 5	MT280236078	1
16	CIRCLIP E22 DIN471 / E22 CIRCLIP	MT280236166	1
17	DESPLAZABLE 3 SECUNDARIO / SECONDARY SELECTOR DISC	MT280236079	1
18	PIÑÓN 3 SECUNDARIO / SECONDARY 3 GEAR	MT280236076	1
19	ARANDELA / WASHER	M02622001	2
20	JAULA AGUJAS / NEEDLE BEARING	MT280226015	1
21	KIT PIÑÓN INTERMEDIO Y TOPE DE ARRANQUE / KIT GEAR AND STOP KICK START PEDAL	MT880002810	1
22	CIRCLIP E25 / E25 CIRCLIP	MT280212023	1
23	PIÑÓN CADENA SALIDA / SPROCKET, COUNTERSHAFT z.11	MT280236525	1
23B	PIÑÓN CADENA SALIDA / SPROCKET, COUNTERSHAFT z.09	MT120236526	1
23C	PIÑÓN CADENA SALIDA / SPROCKET, COUNTERSHAFT z.10	MT200236525	1
24	CASQUILLO RETÉN SALIDA CAMBIO / SHIFT SEAL BUSHING	MT280236046	1
25	TÓRICA 25X2 NBR / NBR 25X2 O'RING	ME25632025	1
26	EJE SECUNDARIO / SECONDARY SHAFT	MT280236075	1
27	PIÑÓN 2 SECUNDARIO / SECONDARY 2 GEAR	MT280236077	1
28	CIRCLIP SW25 / SW25 CIRCLIP	MT280236167	1
29	TÓRICA 25X1,5 NBR / 25X1,5 O'RING	MT280212025	1
30	CTO. CAMBIO TRIAL / TRANSMISSION COMPLETE	MT280236010	1
31	CLIP DE 15MM PIÑÓN INT. ARRANQUE / 15MM. CIRCLIP	M02633000	1

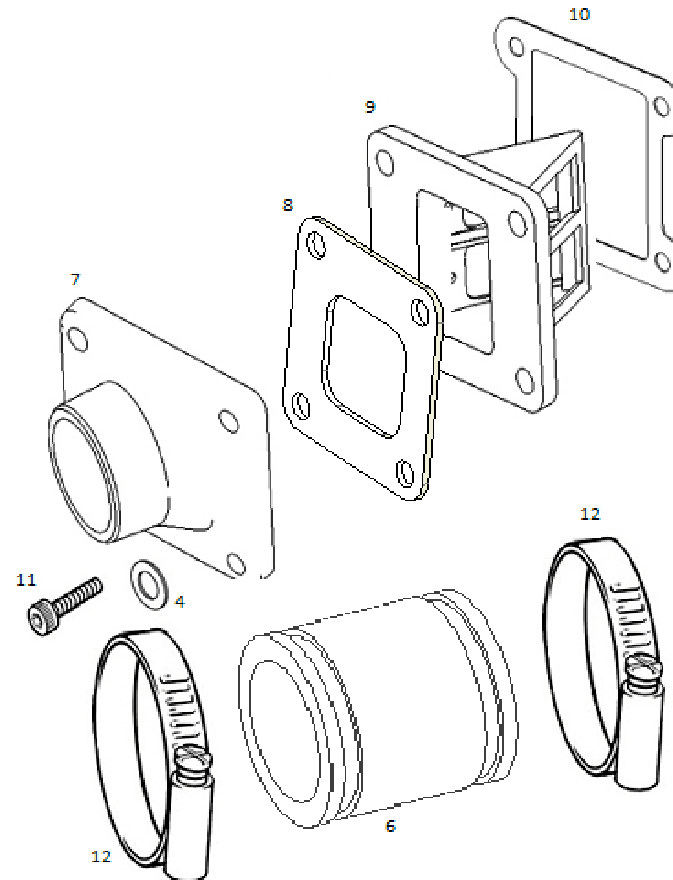
GAS GAS

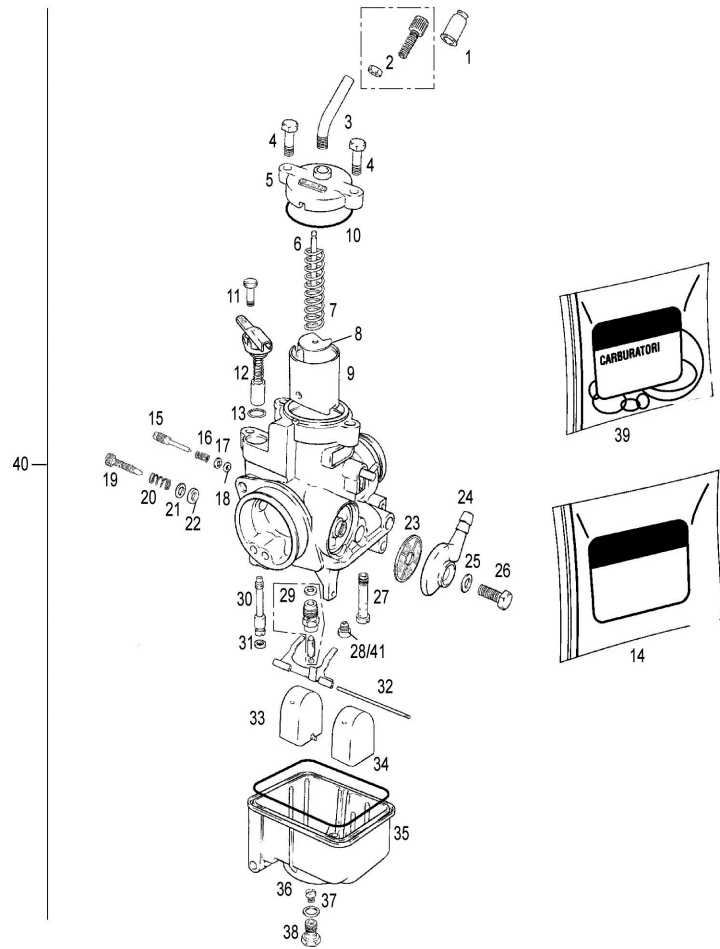
Motor 9

(PARA DELLORTO / FOR DELLORTO)



(PARA KEIHIN / FOR KEIHIN)





Nº	DESCRIPCION / DESCRIPTION	250 / 280 / 300	Cant.
1	CAPUCHÓN TENSOR CABLE GAS / ADJ. TENSION THROTTLE CABLE	M09001055	1
2	CTO. TENSOR CABLE / CABLE TENSION SET SCREW	M09001230	1
3	TENSOR CABLE GAS / CABLE TENSION TUBE	M09001032	1
4	TORNILLO TAPA CARBURADOR / SCREW COVER CARBURETOR	M09001025	2
5	TAPA CARBURADOR / COVER CARBURETOR	M09001156	1
6	AGUJA D36 3º PUNTO / NEEDLE D36	M09003136	1
7	MUELLE COMPUERTA / SPRING SLIDE	M09001015	1
8	PLANCHA SUJECIÓN CABLE GAS / CABLE RETAINER PLATE	M09001010	1
9	COMPUERTA / VALVE SLIDE	M09002060	1
10	TÓRICA TAPA CARBURADOR / O	M09001050	1
11	TORNILLO SUJ. STARTER / CHOKE SCREW	M09001110	1
12	MANDO STARTER / CHOKE LEVER ASSY.	M09001105	1
13	TÓRICAS STARTER / CHOKE O'RING	M09001065	1
14	KIT CARBURACIÓN / CARBURETOR KIT	MT280690100	1
15	TORNILLO REG. ENTRADA AIRE / REG. ENTRANCE SCREW	M09001115	1
16	MUELLE TORNILLO REG. AIRE / SPRING SCREW REG. AIR	M09001120	1
17	ARANDELA TORN. REG. AIRE / WASHER SCREW BOLT REG. AIR	M09001125	1
18	TÓRICA TORNILLO REG. AIRE / O'RING SCREW BOLT REG. AIR	M09001075	1
19	TORNILLO REG. COMPUERTA / SCREW BOLT REG. SLIDE	M09001035	1
20	MUELLE TORNILLO REG. COMPUERTA / SPRING SCREW SLIDE	M09001040	1
21	ARANDELA TORNILLO REG. COMP. / WASHER SCREW REG. SLIDE	M09001045	1
22	TÓRICA TORNILLO REG. COMP. / O'RING SCREW REG. SLIDE VALVE	M09001060	1
23	JUNTA PIPETA GASOLINA / FUEL FILTER DISC	M09001095	1
24	PIPETA ENTRADA GASOLINA / FUEL ENTRY TUBE	M09001135	1
25	JUNTA TORNILLO PIPETA / GASKET SCREW BOLT	M09001100	1
26	TORNILLO PIPETA / BOLT	M09001140	1
27	EMULSOR / NEEDLE JET	M09005271	1
28	CHICLE RALENTÍ 30 / JET SLOW 30	M09004035	1
29	VÁLVULA FLOTADOR / FLOAT VALVE	M09001200	1
30	CHICLE STARTER 60 / JET CHOKE 60	M09007060	1
31	TÓRICA CHICLE STARTER / O'RING JET CHOKE	M09001070	1
32	EJE FLOTADOR / FLOAT SHAFT	M09001145	1
33	FLOTADOR 2X2 / FLOAT 2X2	M09008036	2

GAS GAS

Motor 11

