



GAS GAS

2011



TXT RACING 2011

125-280-300

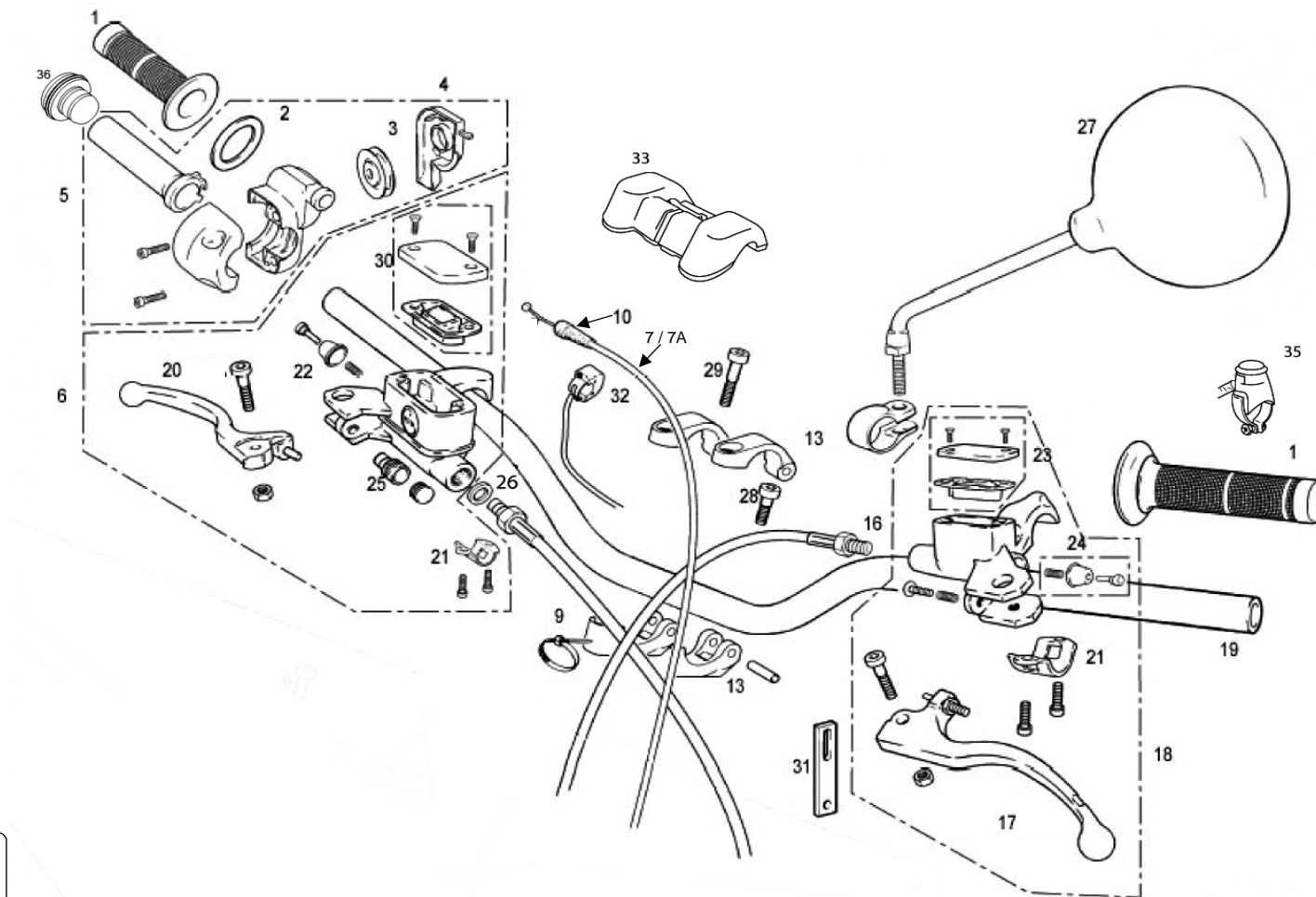
DESPIECE / / PART LIST

The logo features the letters 'GG' in a bold, white, italicized sans-serif font. To the right of the letters are two thick, curved swooshes: an outer one in red and an inner one in white, both curving from the bottom left towards the top right.

GG

*TECHNOLOGY
&
MOTION*

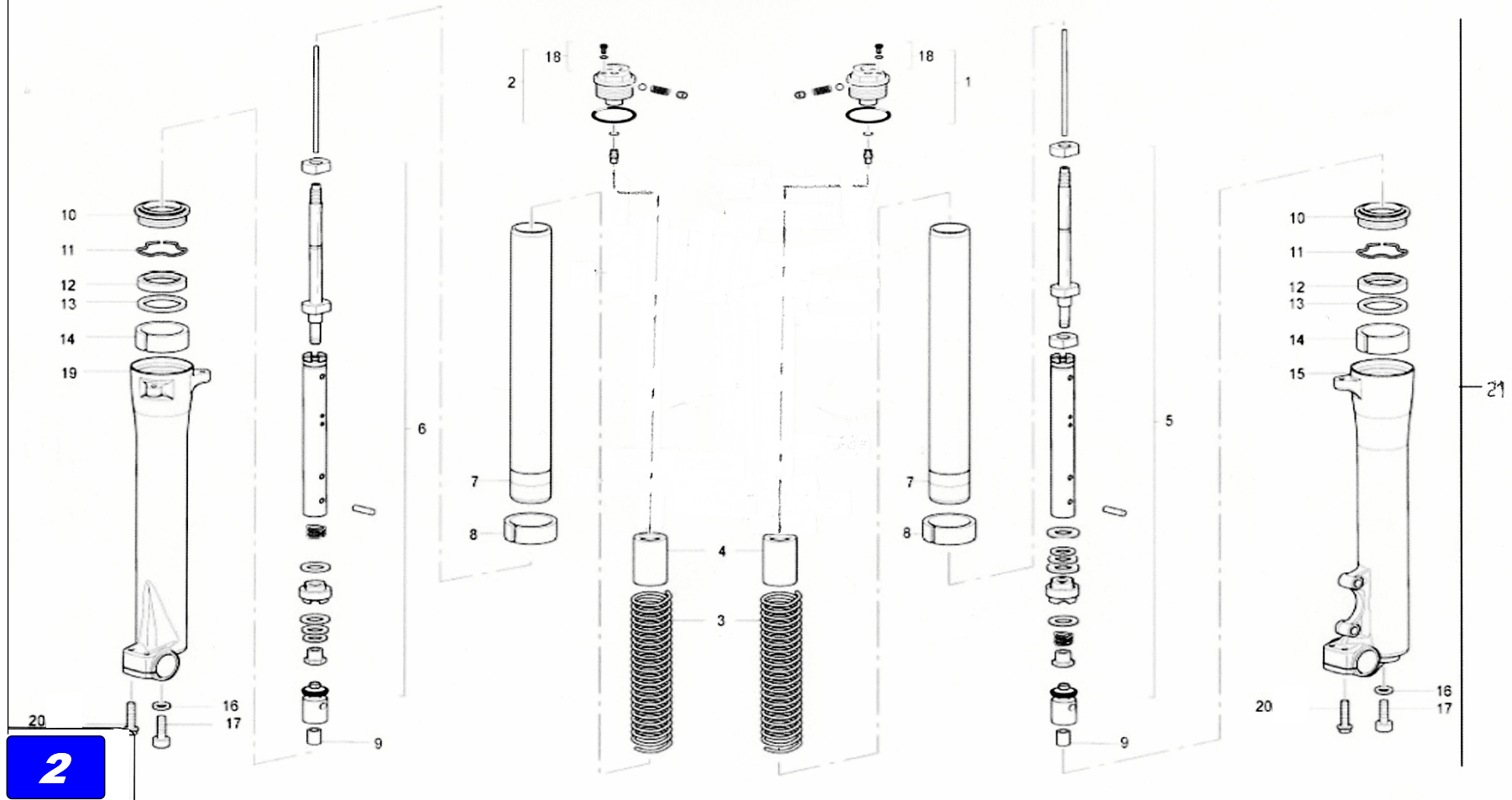
GAS GAS



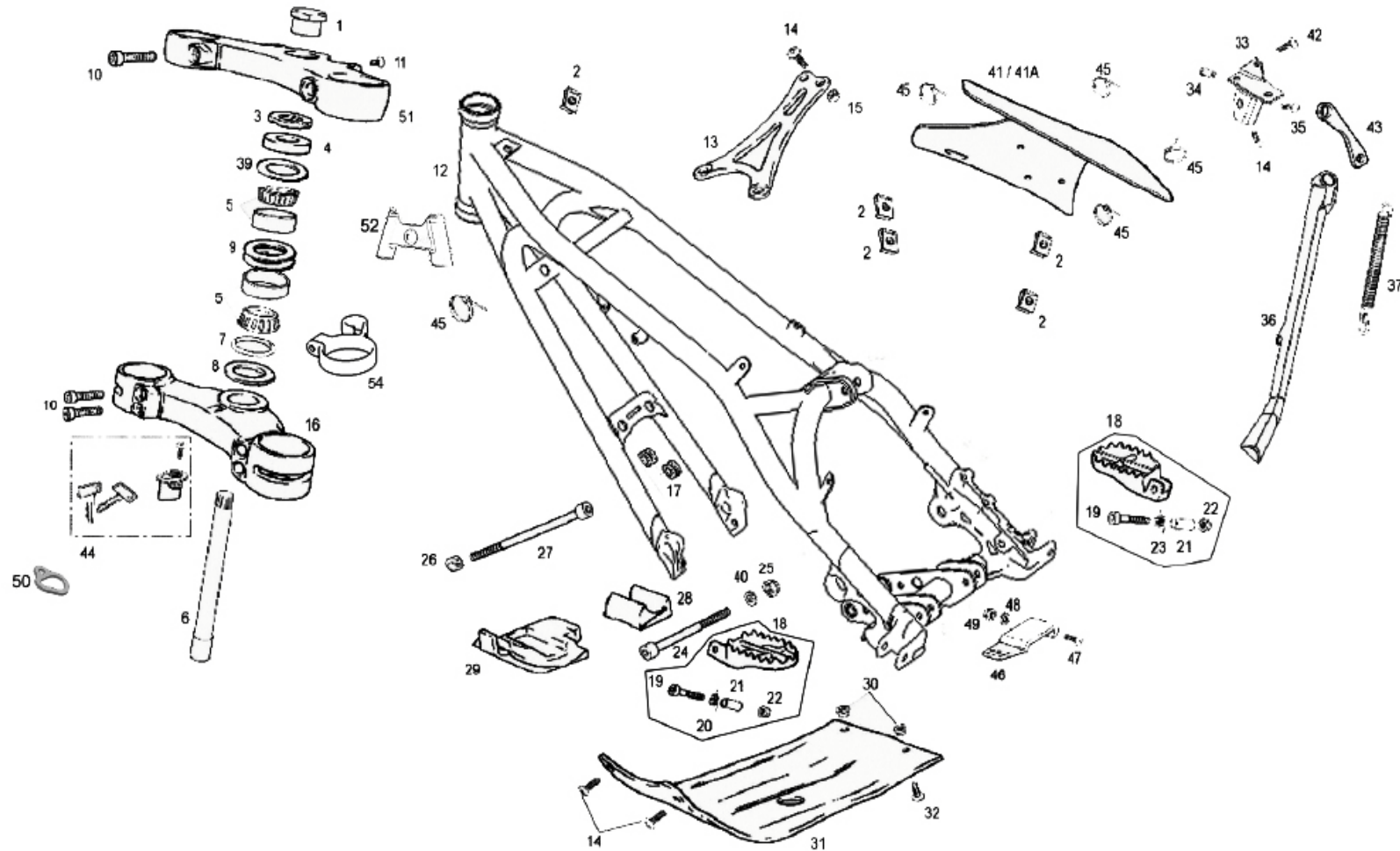
Nº	DESCRIPCION / DESCRIPTION	125/ 280 / 300	Cant.
1	JUEGO EMPUÑADURAS TRIAL / HANDLEBAR GRIP (PAIR)	BT26100RA3010	1
2	ARANDELA MANDO GAS / TWIST GRIP WASHER	BT27922078	1
3	RODILLO MANDO GAS / TWIST GRIP ROLLER	E119000	1
4	TAPA MANDO GAS / TWIST GRIP COVER	E140000	1
5	PUÑO MANDO GAS / CPT. TWIST GRIP	E100001	1
6	BOMBA FRENO DELANTERO / FRONT BRAKE PUMP	BT61000R3009	1
7	CABLE DE GAS HOMOLOGADO / THROTTLE CABLE	BT27924008	1
7A	CABLE DE GAS RACING (KEIHIN) / THROTTLE CABLE KEIHIN	E160003	
9	BRIDA UNEX 4.8X20 / UNEX 4.8X20 CLAMP	BE25634009	1
10	GUARDAPOLVO PUÑO GAS / THROTTLE CABLE DUST COVER	G600000	1
13	CTO. BRIDA MANILLAR / HANDLEBAR CLAMP ASSY	BT280414012C	1
16	LATIGUILLO EMBRAGUE TRIAL / CLUTCH TUBE	BT470002809	1
17	MANETA EMBRAGUE RACING / CLUTCH LEVER R	BT46300R3009	1
18	BOMBA EMBRAGUE ACEITE / CLUTCH PUMP	BT46000R3009	1
19	MANILLAR / HANDLEBAR ASSY.	BT25000RA3010	1
20	MANETA FRENO AJP 93 PLATA LARGA / BRAKE LEVER TRIAL	BT61300R3009	1
21	SOPORTE BOMBA EMBRAGUE / CLUTCH PUMP SUPPORT	BE250022211	2
22	KIT BOMBA FRENO / BRAKE PUMP SET	BT27722208	1
23	KIT TAPA BOMBA / COVER PUMP SET	BT280422210	1
24	KIT BOMBA EMBRAGUE / CLUTCH PUMP SET	BT460102811	1
25	CASQUILLO PULSADOR FRENO DELANTERO / PUSH BUTTON BUSHING	BT27922079	1
26	ARANDELA COBRE 10X14X1 / 10X14X1 WASHER	BT280422007	1
27	ESPEJO RETROVISOR / REAR VIEW MIRROR	L300760	2
28	TORNILLO UFK 8X20 / 8X20 UFK SCREW	T0318020	2
29	TORNILLO UFK 8X50 / 8X50 UFK SCREW	T0318050	2
30	TAPA BOMBA FRENO / KIT COVER PUMP	BT27722210	1
31	GOMA SUJECIÓN CABLEADOS / WIRE SUBJET RUBBER	BFS450320067	1
32	INTERRUPTOR CDI / CDI SWITCH	BT280634007	1
33	PROTECTOR MANILLAR TRIAL / TRIAL HANDLEBAR PROTECTOR	BT251002808	1
35	PULSADOR PARO TRIAL PRO RACING 08 / TRIAL PRO RACING 08 STOP SWITCH	BC250334055	1
36	RODAMIENTO MANDO GAS	BT26010R3010	1

GAS GAS

Chasis 1



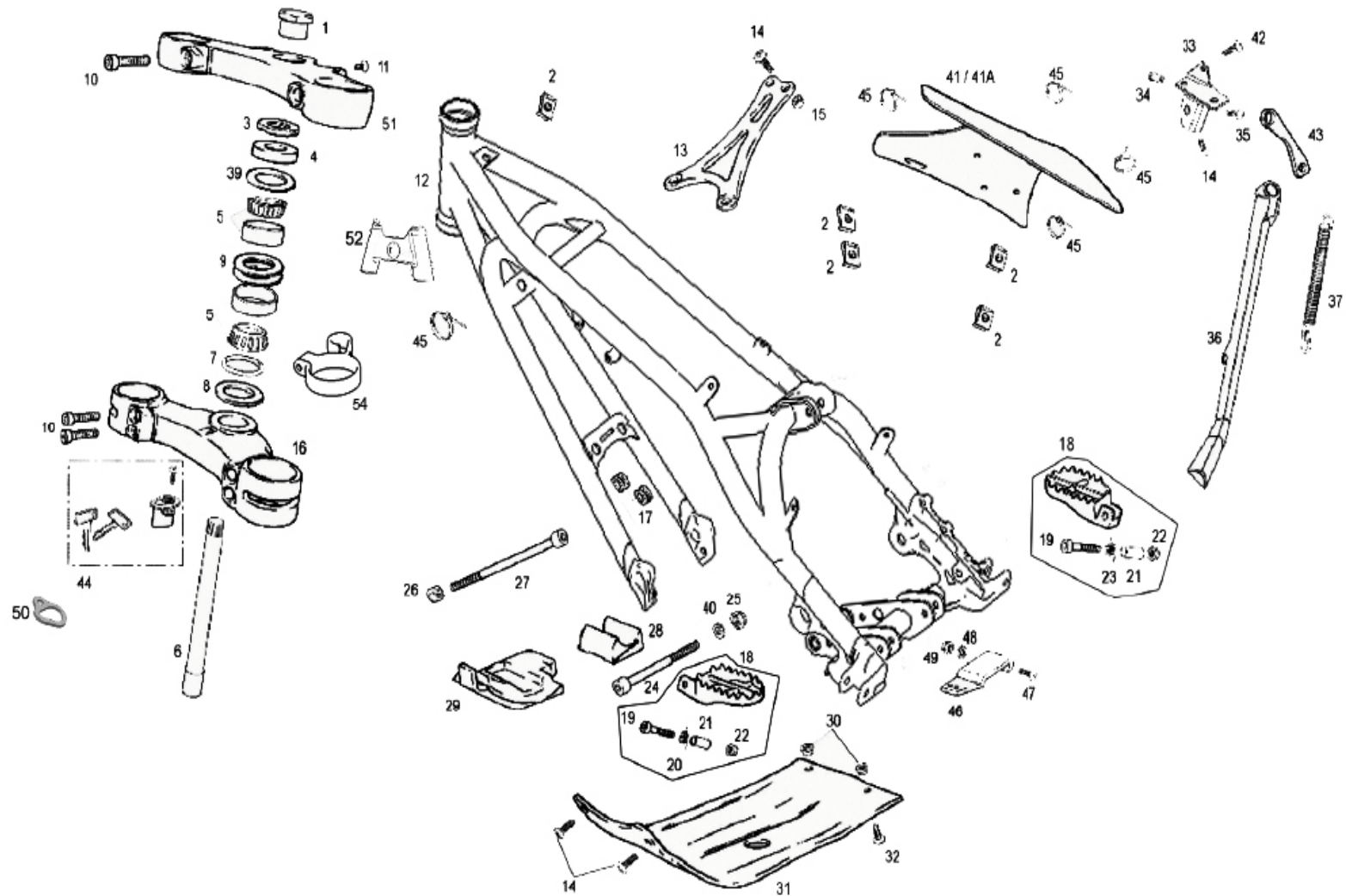
Nº	DESCRIPCION / DESCRIPTION	125/ 280 / 300	Cant.
1	CTO. TAPÓN REGULACIÓN COMPRESIÓN / ADJUSTING COMPRESSION CAP	BT280714105	1
2	CTO. TAPÓN REGULACIÓN EXTENSIÓN / ADJUSTING RETURN CAP	BT280714106	1
3	MUELLE SUSPENSIÓN / FRONT FORK SPRING	BT201702809	2
4	TOPE PRECARGA AMORTIGUADOR / PRE-LOAD WASHER	BT20090R3009	2
5	REGULADOR HIDRÁULICO COMPR. / ADJUSTER TOP COMPRESSION	BT200902809	1
6	REGULADOR HIDRÁULICO EXT. / ADJUSTER TOP RETURN		
7	BARRA SUSPENSIÓN / FRONT FORK INNER TUBE	BT280614110	2
8	GLACIER SUSPENSIÓN / GLACIER BUSHING	BT280414111	2
9	CENTRAJE TUBO HIDRÁULICO / SPACER BUSH	BT280414219	2
10	GUARDAPOLVO / DUST SEAL	BT280414131	2
11	SEEGER SUSPENSIÓN TRIAL / TRIAL FRONT FORK SEEGER	BT200252809	2
12	RETÉN / SEAL	BT280414212	2
13	ARANDELA SUPERIOR TRIAL / TRIAL UPPER WASHER	BT280414133	2
14	GLACIER BOTELLA SUSPENSIÓN / TUBE GLACIER BUSH	BT280414134	2
15	BOTELLA IZQUIERDA SUSPENSIÓN TRIAL / LEFT OUTER TUBE	BT20200R3009	1
16	ARANDELA GOMA INTERIOR / FRONT FORK WASHER SEAL	BT280414145	2
17	ALLEN / ALLEN SCREW	BT280414249	2
18	TORNILLO Y JUNTA TÓRICA / O-RING AND BOLT	BT280714103	2
19	BOTELLA DERECHA SUSPENSIÓN TRIAL / RIGHT OUTER TUBE	BT20100R3009	1
20	TORNILLO EXAGONAL CON BALONA M6X25 / EXAGONAL SCREW M6X25	T0206025	4
21	SUSPENSIÓN TRIAL MARZOCCHI / TRIAL SUSPENSION SET MARZOCCHI	BT20000RCT3009	1



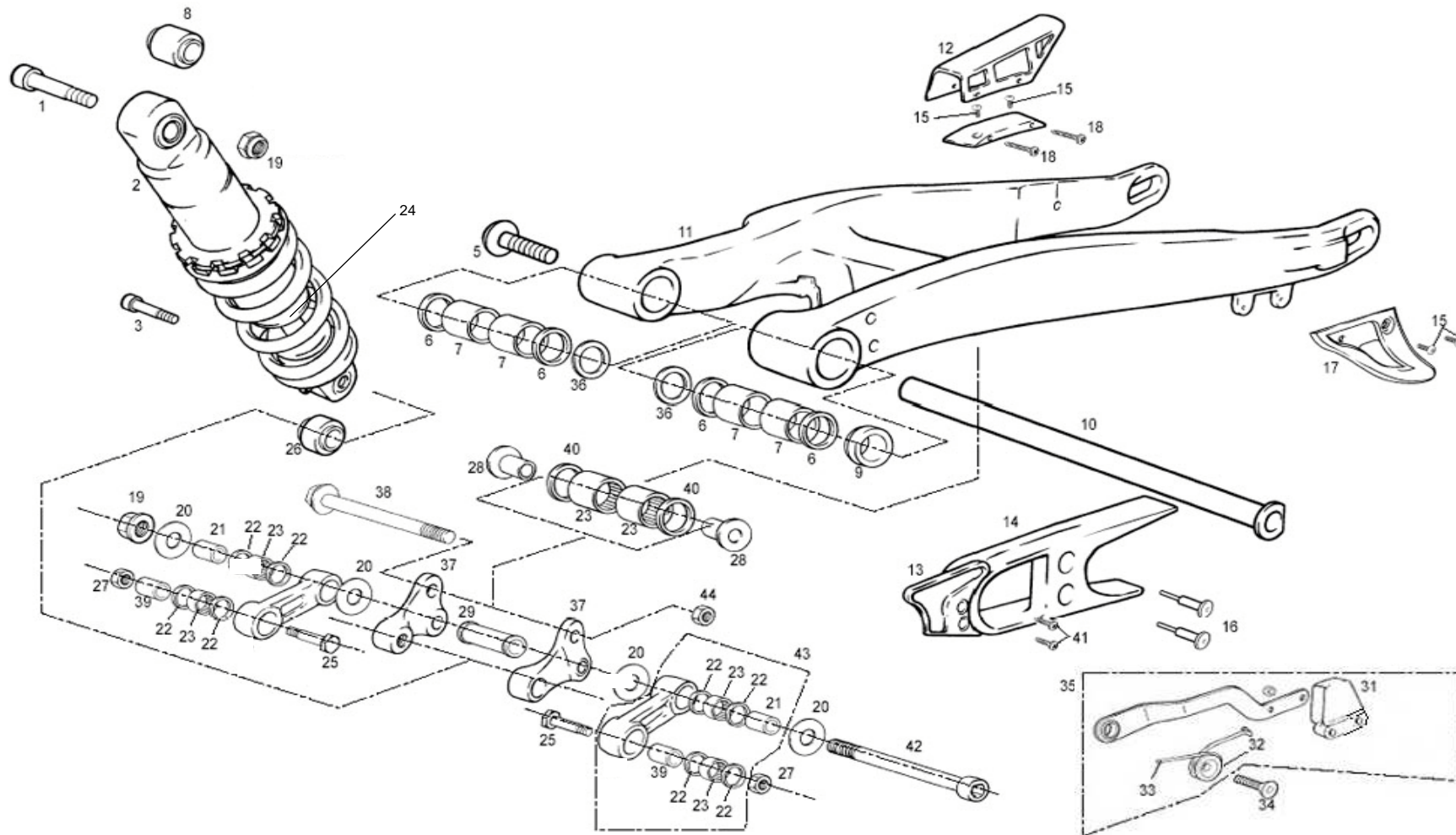
Nº	DESCRIPCION / DESCRIPTION	125/ 280 / 300	Cant.
1	TUERCA SUPERIOR DIRECCIÓN TRIAL / NUT TOP STEERING AXLE	BT280210030	1
2	TUERCA NUT 956 RAPIDA M6 / M6 FAST NUT	T2606000	5
3	TUERCA INFERIOR DIRECCIÓN TRIAL / NUT UNDER TOP CLAMP	BT280410029	1
4	GUARDAPOLVO COJINETES DIRECCIÓN / BEARING STEERING, DUST COVER	BEP250210026	1
5	COJINETE DIRECCIÓN URBXA 32004 / BEARING STEERING	BT280210008	2
6	EJE DIRECCIÓN TRIAL 2002 / AXLE STEERING	BT280214003	1
7	TÓRICA DIRECCIÓN 37X2,5 ENDUPAMP 250 / O'RING STEERING	BEP250210012	1
8	ARANDELA REGLAJE BLANCA / WHITE WASHER	BT280210026	1
9	ARANDELA 36X42X0.5 / 36X42X0.5 WASHER	T4003642	2
10	ALLEN BRIDA INFERIOR / ALLEN SCREW	T0306025	6
11	ULS 6X10 DIRECCIÓN / STEERING ULS	-	1
12	CHASIS TRIAL / TRIAL FRAME	BT10000RA3010	1
13	TIRANTE CILINDRO / BRACE CYLINDER	BT280110050	1
14	ULS 8X20 / 8X20 ULS	T0508020	7
15	TUERCA AUTOBLOCANTE M-8 ALTA / SELF-LOCKING NUT M8 HIGH	T2108002	4
16	PLATINA INFERIOR TRIAL / FORK CLAMP (LOWER)	BT210002809	1
17	GOMAS RADIADOR A CHASIS / RADIATOR PROTECTOR RUBBER	G220000	3
18	CTO. ESTRIBOS TXT PRO / JOINT STIRRUPS	BT14000RCT3009	1
19	PASADOR ESTRIBERA / SCREW	T0508045	2
20	MUELLE ESTRIBO IZQUIERDO / SPRING FOOTSTEP (LEFT)	M100004	1
21	CASQUILLO ESTRIBO TRIAL-99 / BUSH FOOTSTEP	BT27910006	2
22	TUERCA AUTOBLOCANTE M-8 BAJA (DIN 982) / NUT NYLOCK LOW	T2108001	2
23	MUELLE ESTRIBO DERECHO / SPRING FOOTSTEP, RIGHT	M100003	1
24	ALLEN 10x85 / 10X85 ALLEN BOLT	T0301085	1
25	TUERCA AUTOBLOCANTE M10 BAJA / SPECIAL M10 NUT	T2110001	1
26	TUERCA ESPECIAL M10 / SPECIAL M10 NUT	BT280210069	1
27	ALLEN M10X140 ZINCADO 12.9 / SCREW, BOLT ALLEN M10X140	T0310140	1
28	GOMA PROTECTOR TRASERO MOTOR / REAR ENGINE PROT. RUBBER	BT280336029	1
29	GOMA PROTECTOR DELANTERO MOTOR / FRONT ENGINE PROT. RUBBER	BT280236030	1
30	CASQUILLO PROTECTOR CÁRTER / CHASIS TRIAL / BUSHING	BT280310883	2
31	PLACA PROTECCIÓN MOTOR / TRIAL ENGINE PROTECTOR PLATE	BT11500R3009	1
32	ULS 8X16 / ULS 8X16	T0508016	2
33	SOPORTE CABALLETE TRIAL 2000 / SIDE STAND BRACKET SUPPORT	BT280712023	1

GAS GAS

Chasis 3



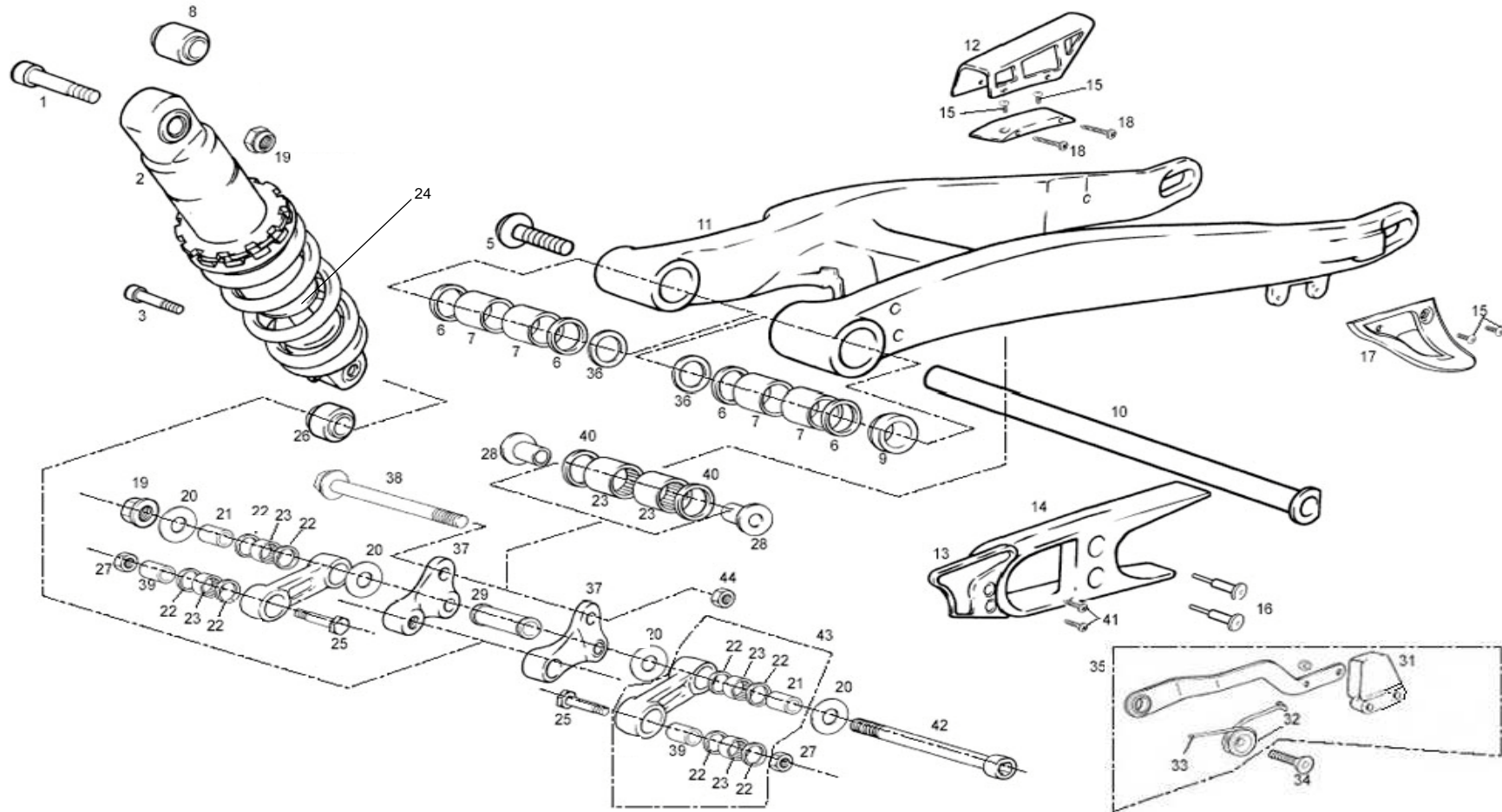
Nº	DESCRIPCION / DESCRIPTION	125/ 280 / 300	Cant.
34	CASQUILLO GUÍA CABALLETE TRIAL / BUSH, PIVOT SIDE STAND	BT27712011	1
35	ALLEN 8X14 / 8X14 ALLEN BOLT	T0308014	1
36	CABALLETE TRIAL 99 / SIDE STAND BRACKET	BT280712010	1
37	MUELLE CABALLETE / SIDE STAND SPRING	BT280310039H	1
39	ARANDELA 22.4X36X0.7 REGLAJE / REGULATE WASHER	T4022036	1
40	ARANDELA GLOBER 10X15 / GLOBER WASHER	T4001015	1
41	GOMA PROTECCIÓN CAJA-CHASIS CORTA TRIAL PRO / SHORT PROTECT RUBBER	BT280236033	1
41A	GOMA PROTECCIÓN CAJA-CHASIS LARGA TRIAL PRO / LONG PROTECT RUBBER	BT280236034	1
42	HEXAGONAL 6X16 / 6X16 HEXAGONAL BOLT	T0106016	1
43	EXCÉNTRICA CABALLETE TRIAL HOMO. / ADJUSTER	BT280312025H	1
44	CTO. BLOQUEO CLAUSOR / LOCKING CLAUSOR SET	BT280210075	1
45	BRIDA UNEX 2244 4.8X20 / 4.8X20 BLACK CLAMP	BE25634009	3
46	PROTECTOR CADENA A CHASIS / CHAIN PROTECTOR	BT280212026	1
47	TORNILLO ULS 6X25 / ULS 6X25	T0506025	1
48	ARANDELA PLANA 6.5X16X1.5 / WASHER 6.5X16X1.5	T4006016	1
49	TUERCA AUTOBLOCANTE DIN-6926 M6 CON ARANDELA ZN / NUT NYLOCK	T2206002	1
50	PLATINA TAPA CLAUSOR / CLAMP COVER	BT280210077/1	1
51	PLATINA SUPERIOR / UPPER CLAMP	BT220002809	1
52	TOPE DIRECCION CHASIS / GEAR PROTECTION RUBBER	BT170002809	1
54	GUIA LATIGUILLO FRENO DELANTERO / BREAK HOSE GUIDE	BT21600RA3010	1



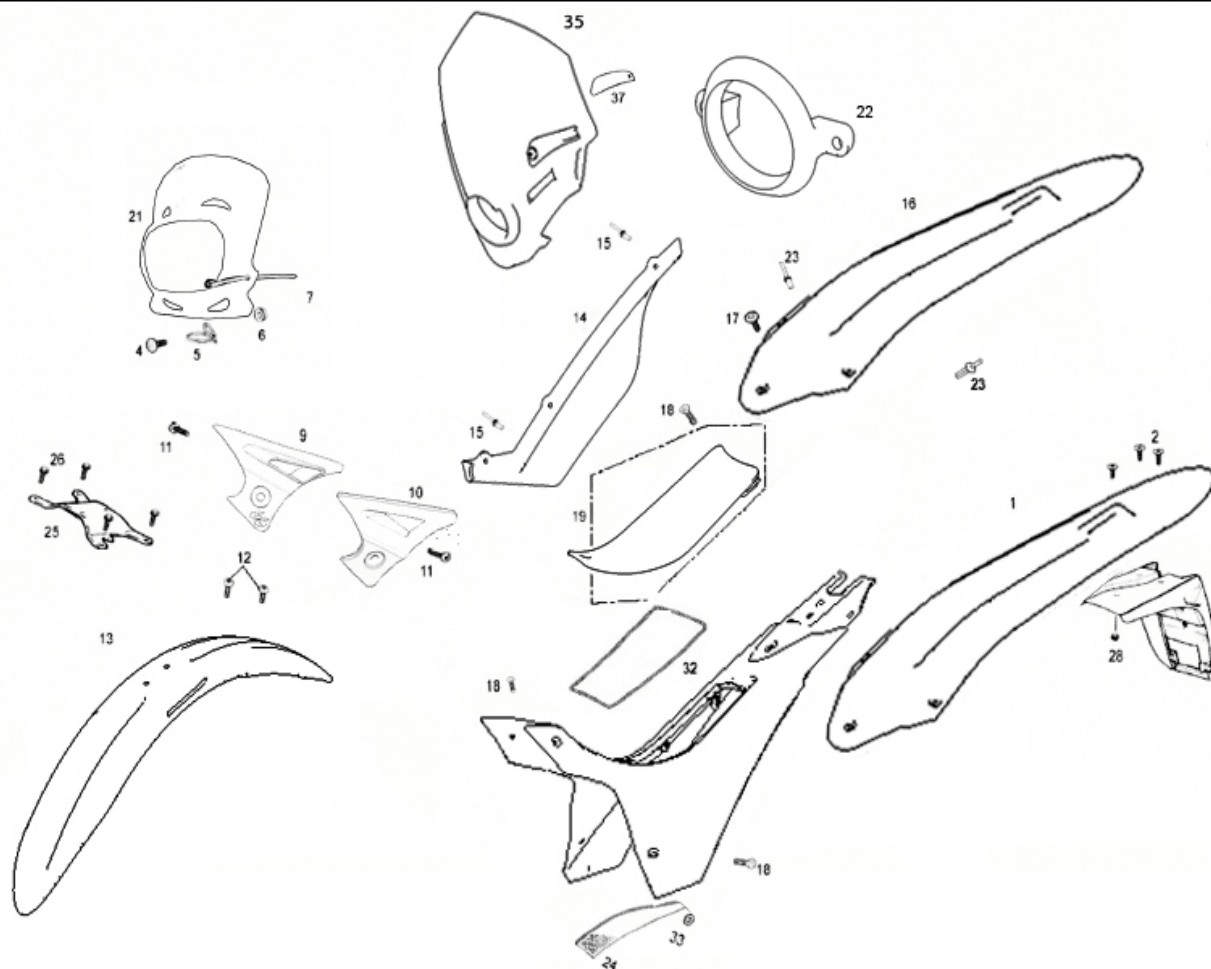
Nº	DESCRIPCION / DESCRIPTION	125/ 280 / 300	Cant.
1	ALLEN 10X55 / 10X55 ALLEN SCREW	T0301055	1
2	AMORTIGUADOR TRIAL / SHOCK ABSORBER	BT300002809	1
3	TORNILLO ESPECIAL / SPECIAL SCREW	T0310046	1
5	TORNILLO EJE BASCULANTE TRIAL / SWING-ARM AXLE SCREW	BT280212009	1
6	RETÉN 20-26-4 870 N BASCULANTE / 20-26-4 OIL SEAL	C220001	4
7	COJINETE / BEARING	BT280212032	4
8	SILENTBLOCK AMORTIGUADOR / REAR SHOCK ABSORBER SILENTBLOCK	BT280414305	1
9	CASQUILLO GUÍA EJE BASCULANTE / SWING-ARM AXLE BUSHING	BT280212108	1
10	EJE BASCULANTE TRIAL / SWING-ARM AXLE	BT44500R3009	1
11	BASCULANTE TRIAL / TRIAL 2002 SWING-ARM	BT280712002	1
12	CUBRECADENAS / CHAIN COVER	BT40000R3009	1
13	PROTECTOR PIÑÓN TRIAL 2002 / PINION PROTECTOR	BT280236021	1
14	PATÍN CADENA / CHAIN GUIDE	BT280412015	1
15	ULS 5X12 / 5X12 ULS	T0505012	4
16	REMACHE CABOTA GRANDE 14X4 8X21 PATÍN / RIVET	T4505016	2
17	PROTECTOR CORONA TRIAL / SPROCKET PROTECTOR	BT57350R3009	1
18	TORNILLO ROSCA CHAPA PHILIPS 4X38 / 4X38 PHILIPS SCREW	T0614838	2
19	TUERCA AUTOBLOCANTE / SELF-LOCKING NUT	T2110001	2
20	ARANDELA REGLAJE 10.5X26X0.5 / 10.5X26X0.5 WASHER	T4001026	4
21	CASQUILLO SUSPENSIÓN DIAM. 10 / SUSPENSION BUSHING	BT27712005	2
22	RETÉN 15X21X2 / 15X21X2 OIL SEAL	C230001	8
23	COJINETE AGUJAS 15BM2116 / NEEDLE BEARING	BT27714009	6
24	TOPE AMORTIGUADOR / SHOCK ABSORBER END OF TRAVEL	BT311002809	1
25	TORNILLO ESPECIAL BIELETA 8X38 / 8X38 SPECIAL SCREW	T0118038	2
26	RÓTULA AMORTIGUADOR / BALL AND SOCKET JOIN	BT280214300	1
27	TUERCA AUTOBLOCANTE M8 ALTA / SELF-LOCKING NUT	T2108002	2
28	CASQUILLO BALANCÍN 99 / ARTICULATION BUSHING	BT27914014	2
29	CASQUILLO DISTANCIADOR BALANCÍN / ARTICULATION SPACER BUSHING	BT27914016	1
31	GOMA TENSOR CADENA / TENSIONER CHAIN RUBBER	BT42010RA3010	1
32	CASQUILLO TENSOR CADENA / CHAIN TENSIONER BUSHING	B560000	1
33	MUELLE TENSOR CADENA / CHAIN TENSIONER SPRING	M122000	1
34	ALLEN CONICO 8X30 TENSOR CADENA / 8X30 CONIC ALLEN	T0408030	1

GAS GAS

Chasis 4



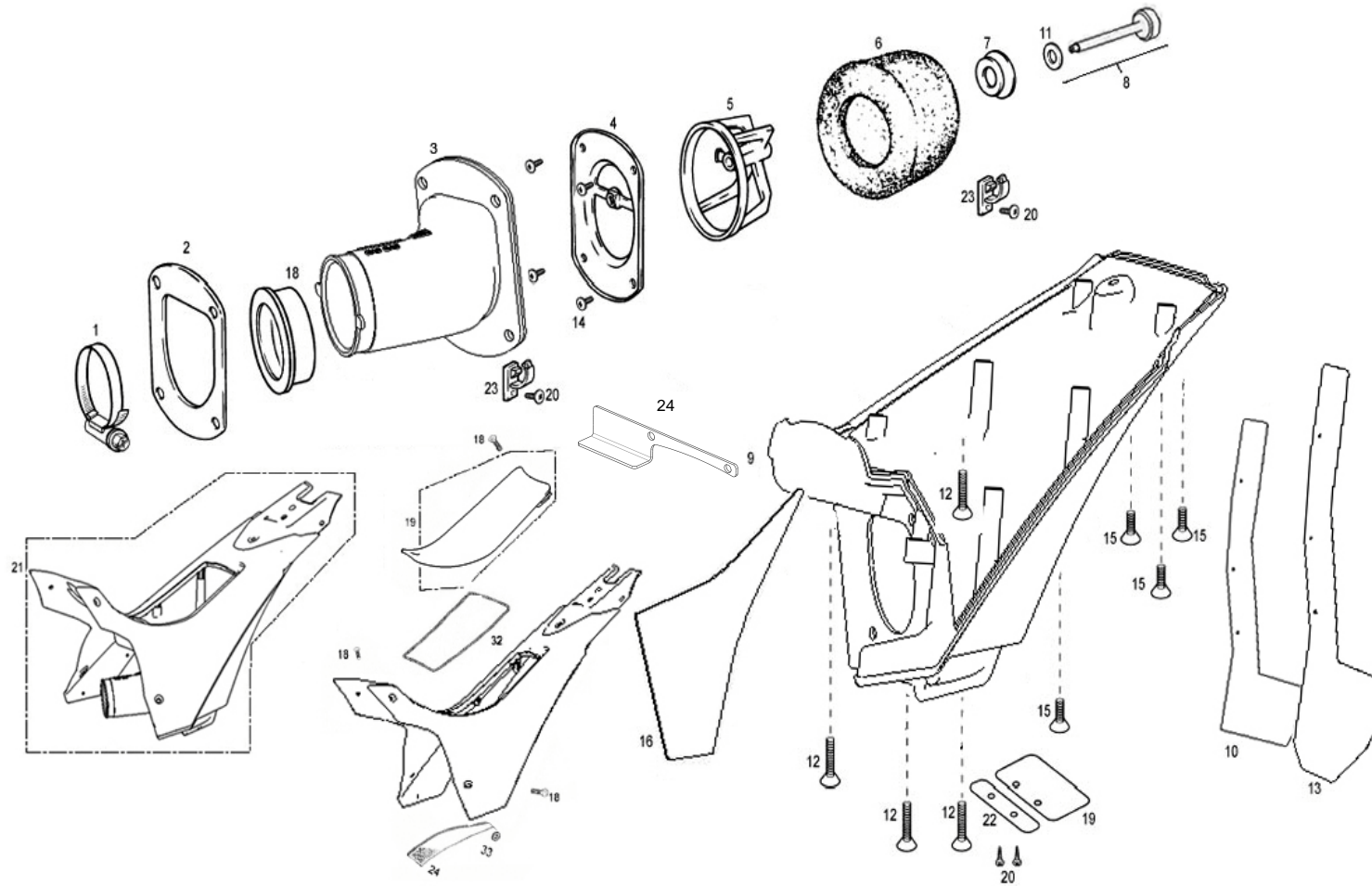
Nº	DESCRIPCION / DESCRIPTION	125/ 280 / 300	Cant.
35	CTO. TENSOR CADENA / CHAIN TENSIONER ASSY.	BT42000RCT3009	1
36	ARANDELA BASCULANTE TRIAL 2002 / SWING-ARM WASHER	BT280212007	2
37	CTO. BALANCÍN TRIAL 2000 / ROCKER-ARM SET	BT32000RCT3009	1
38	TORNILLO ESPECIAL M10X80X1.25 12.9 / M10X80X1.25 SCREW	T0210080	1
39	CASQUILLO SUSPENSIÓN DIAM.8 / DIAM. 8 SUSPENSION BUSHING	BT27712014	2
40	RETÉN 15-21-3-8170N BASC. BAL. / 15-21-3-8170N OIL SEAL	C230000	2
41	TORNILLO ROSCA-CHAPA 4.2X12 / 4.2X12 SCREW	T259349	2
42	ALLEN M10X120 / M10X120 ALLEN	T0310121	1
43	BIELETA ALUMINIO TRIAL COMPLETA / ALUMINIUM ROD SET	BT280014008CT	2
44	TUERCA M10 / M10 NUT	T3110002	1



Nº	DESCRIPCION / DESCRIPTION	125/ 280 / 300	Cant.
1	GUARDABARROS TRAS. TRIAL HOMOLOGADO / TRIAL REAR FENDER	BT93500HRA3010	1
2	TORNILLO NEGRO ULS 6X16 / 6X16 ULS SCREW	T0506016N	3
3	PORTAMATRICULAS TRIAL HOMOLOGADO / TRIAL PLATE SUPPORT	BT280620003	1
4	TORNILLO ULS 6X14 CON ARANDELA PLATA / ULS SCREW 6X14	T0556014	1
5	GANCHO INOXIDABLE / RUSTLESS HOOK	M130000	1
6	TUERCA CON ARANDELA M6 / M6 NUT WITH WASHER	T2206000	2
7	BRIDA UNEX / UNEX CLAMP	BE25634007	2
8	TORNILLO ROSCA-CHAPA 3X9 / 3X9 SCREW	T1003009	4
9	PROTECTOR RADIADOR DERECHO / RIGHT RADIATOR COVER	BT91500NR2809	1
10	PROTECTOR RADIADOR IZQUIERDO / LEFT RADIATOR COVER	BT92000NR2809	1
11	TORNILLO CHAPA 4.2X13 / SCREW 4.2X13	T0804612	2
12	ULS 5X8 / 5X8 ULS SCREW	T0505008	2
13	GUARDABARROS DELANTERO / TRIAL FRONT FENDER	BT91000RCT3011	1
14	PROTECTOR ESCAPE TRIAL / EXHAUST PROTECTOR	BT947002811	1
15	REMACHE ALUMINIO 4X12 CABOTA NEGRA / ALUMINIUM RIVET	T4504012N	2
16	GUARDABARROS TRAS. TRIAL / TRIAL REAR FENDER	BT93500RACT3010	1
17	ULS 6X16 CON ARANDELA NEGRO / 6X16 BLACK ULS WITH WASHER	T0556016	1
18	TORNILLO CONICO 6X16 NEGRO / BLACK 6X16 CONIC SCREW	T0406016I	5
19	TAPA CAJA FILTRO TRIAL 2009 / TRIAL PRO 2009 FILTER BOX COVER	BT94200RCT3010	1
20	BASE ASIENTO TRIAL 2009 / TRIAL 2009 SEAT STRUCTURE	BT94000RCT3010	1
21	FARO DELANTERO TRIAL HOMOLOGADO / HOMOLOGATED TRIAL FRONT HEADLIGHT	BT90500RH3009	1
22	SOPORTE OPTICA FARO DELANTERO TRIAL / HEADLIGHT BRACKET	ET25000RC2808	1
23	REMACHE PLASTICO BLANCO GUARDAB. TRAS. / PLASTIC RIVET	T4513270	2
24	ADH. PROTECTOR ESCAPE AMIANTO / EXHAUST PROTECTOR STICKER	BT795502811	1
25	PUENTE HORQUILLA DELANTERA / FRONT SUSPENSION UNION	BT21500R3009	1
26	TORNILLO ESPECIAL 6X14 / 6X14 SPECIAL SCREW	T0206014	4
28	TUERCA AUTOBLOCANTE M6 C/ARAND / SELF-LOCKING NUT M6	T2206002	3
29	TORNILLO ROSCA-CHAPA 3.5X13 / SCREW 3.5X13	T0603513	2
32	TUBO FLEXIBLE SILICONA BASE ASIENTO / SEAT BASE SILICON HOSE	BT795302811	1
33	ARANDELA 5X12X1'5 / WASHER 5X12X1'5	T4005012	1
35	CTO. FARO TXT RACING / RACING HEADLIGHT SET	BT90500RCT3011	1
37	GUIA LATIGUILLO FARO RAGA / HEADLIGHT HOSE GUIDE	BT90550RB3009	1

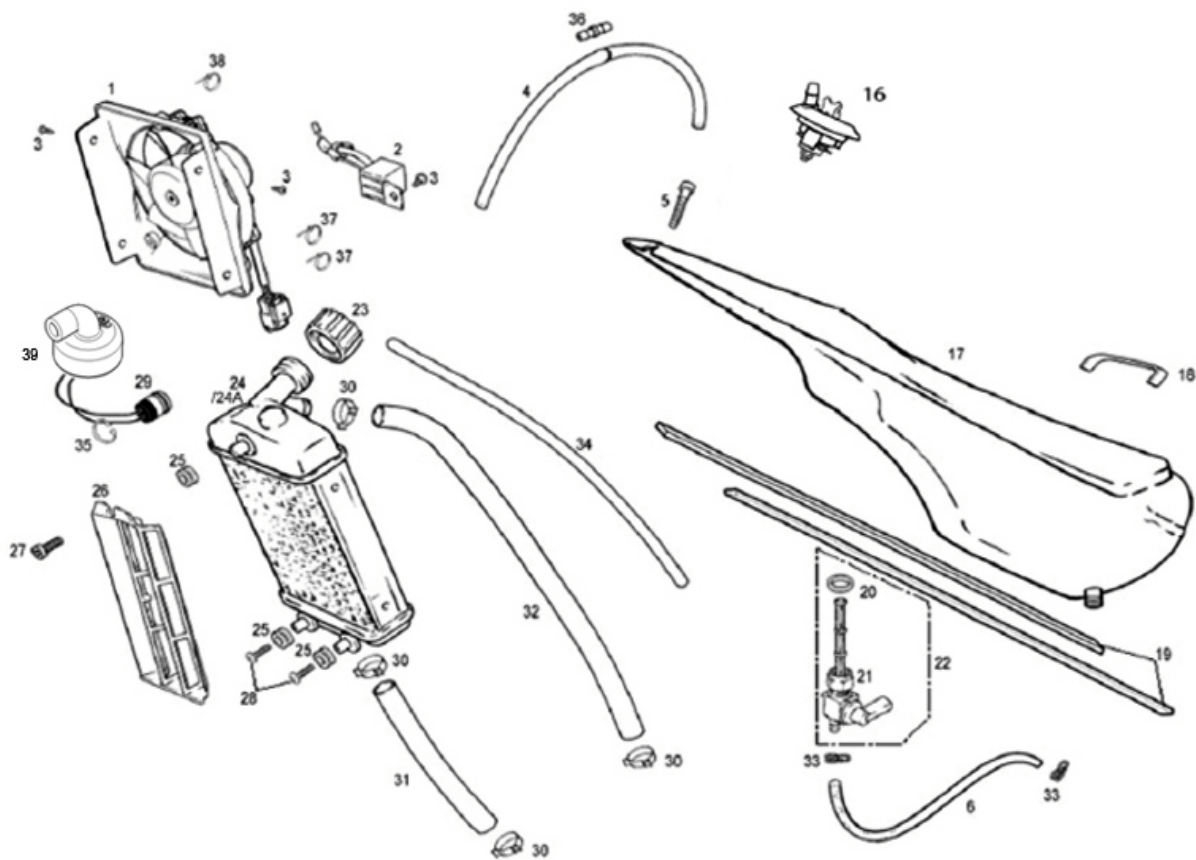
GAS GAS

Chasis 5



Nº	DESCRIPCION / DESCRIPTION	125/ 280 / 300	Cant.
1	ABRAZADERA S56/9 / CLAMP	MT280316132	1
2	PLATINA EXTERIOR SOPORTE JAULA FILTRO TRIAL 2002 / EXTERNAL PLATE	BT280228021	1
3	TOBERA CAJA FILTRO TRIAL SXXI / TUBE, AIR CLEANER CONNECT.	BT792002811	1
4	PLATINA INTERIOR SOPORTE JAULA FILTRO TRIAL 2002 / INNER PLATE	BT280228020	1
5	JAULA FILTRO AIRE TRIAL 280-2002 / AIR CLEANER CAGE	BT280228002	1
6	FILTRO AIRE TRIAL XXI / AIR CLEANER	BT280328000	1
7	TETÓN ESPUMA FILTRO TRIAL 2002 / AIR CLEANER WASHER	BT280228008	1
8	VARILLA FILTRO TRIAL 2002 / AIR CLEANER ROD	BT795202811	1
9	CAJA FILTRO TRIAL / AIR CLEANER BOX	BT790002811	1
10	AD. PROTECTOR CAJA FILTRO / AIR CLEANER PROTECTOR SITCKER	BT79560RA3010	1
11	ARANDELA / WASHER	T4006016	1
12	TORNILLO ROSCA-CHAPA 3,5X30 / 3,5X30 SCREW THREAD	BT280228034	4
13	GOMA PROTECCIÓN CAJA FILTRO / AIR CLEANER BOX PROTECTOR RUBBER	BT795402811	1
14	ULS 4X10 NEGRO CON ABRAZADERA / ULS 4X10 BOLT	T0554010N	4
15	TORNILLO ROSCA-CHAPA 3,5X12 / 3,5X12 SCREW THREAD	BT280228035	4
16	ADH. PROTECTOR ESCAPE AMIANTO / EXHAUST PROTECTOR STICKER	BT795502811	1
18	ADAPTADOR CARBURADOR / CARBURETOR ADAPTER	MT300616133	1
19	VÁLVULA VACIADOR CAJA FILTRO TRIAL / TRIAL FILTER BOX VALVE	BT280428032	1
20	TORNILLO ROSCA-CHAPA 4,2X10 NEGRO / BLACK 4,2X10 SCREW	T0604210	4
21	CTO. CAJA FILTRO TRIAL PRO 2009 / PRO FILTER BOX SET	BT79000RCT3011	1
22	PISADOR VÁLVULA VACIADOR CAJA FILTRO / BOX VALVE SUJECTION	BT280428045	1
23	PRENSACABLES SR1789 / CABLE TIE SR1789	BT280428006	2
24	PLETINA ENTRADA DE AIRE / AIR ENTER PLATE	BT30125R3011	1

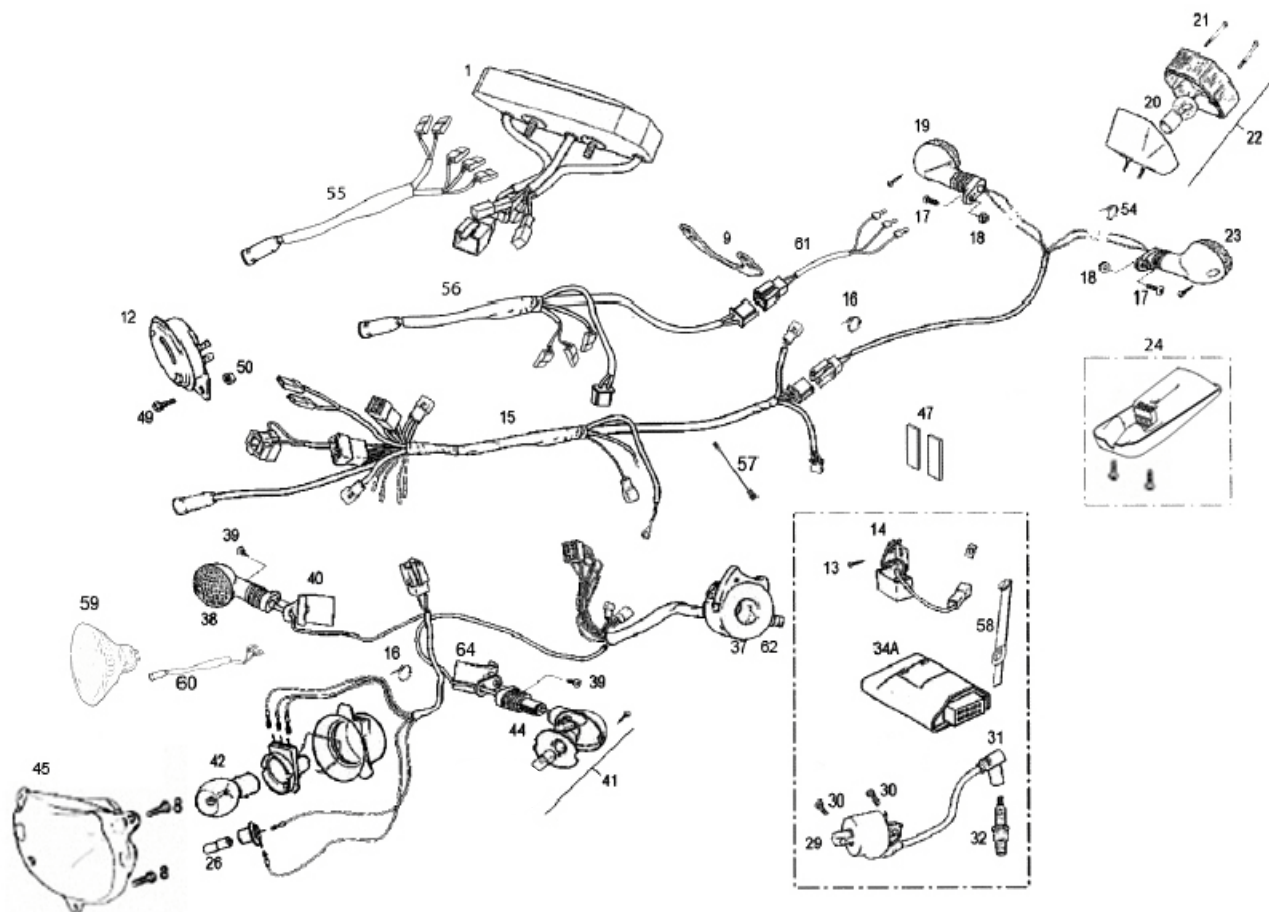
GAS GAS ***Chasis 6***



Nº	DESCRIPCION / DESCRIPTION	125/ 280 / 300	Cant.
1	VENTILADOR F-14 / FUN F-14	BFS400332340	1
2	MODULO VENTILADOR / FUN MODULE	BT120532342	1
3	TORNILLO ROSCA CHAPA CON ARANDELA / SCREW THREAD WITH WASHER	T0604210	3
4	TUBO DESVAPORIZADOR DEPÓSITO 41cm. / TANK TUBE 41CM. LONG	BT280310018	1
5	TORNILLO M6X30 / SCREW M6X30	T0206030	1
6	TUBO GASOLINA TRIAL / FUEL HOSE	BT280236004	1
16	CTO. TAPÓN GASOLINA / CPT. PLUG FUEL-PETROL	BT280420010	1
17	DEPÓSITO TRIAL / FUEL TANK	BT76000RACT3010	1
18	JUNTA ADHESIVA DEPÓSITO 125x10 / STICKER TANK GASKET	BT280038018	1
19	JUNTA ADHESIVA DEPÓSITO CHASIS 38 X 1 / STICKER TANK GASKET,FRAME	BT27838018	2
20	ARANDELA GRIFO DEPÓSITO / WASHER TANK TAP	BT27910131	1
21	TUERCA GRIFO DEPÓSITO / NUT TANK TAP	BT27910132	1
22	GRIFO GASOLINA C/90 / FUEL VALVE	BT27810031	1
23	TAPÓN RADIADOR TP50806 TRIAL 2002 / RADIATOR CAP	BT280232032	1
24	CTO. RADIADOR CON VENTILADOR TRIAL PRO / TRIAL PRO RADIATOR	BT70000RCT3009	1
25	GOMAS RADIADOR A CHASIS / RADIATOR TUBE TO FRAME	G220000	3
26	REJILLA RADIADOR TRIAL / RADIATOR PROTECTOR	BT730502809	1
27	ALLEN 6X14 / 6X14 ALLEN BOLT	T0306014	1
28	ULS 6x10 CON ARANDELA / 6X10 ULS BOLT WITH WASHER	T0556010	2
29	TERMO CONTACTO / TERMO-CONTACT	BT280432065	1
30	ABRAZADERA COBRA DE 21 / COBRA CLAMP 21	L200046	4
31	TUBO INFERIOR RADIADOR-BOMBA AGUA / RADIATOR-WATER PUMP LOWER TUBE	BT710002810	1
32	TUBO SUPERIOR RADIADOR-CULATA / RADIATOR-CYL. HEAD UPPER TUBE	BT710502810	1
33	ABRAZADERA ELÁSTICA NEGRA ALAMBRE 9.3X9.9 2016055 / SPRING CLAMP	L200036	2
34	TUBO DESVAPORIZADOR TAPÓN GAS (26cm) / RADIATOR EXCESS TUBE HOSE	BE25620011	1
35	CLIP TERMOSTATO PRO 2005 / SEEGER	BT280432066	1
36	VÁLVULA DESVAP. DEPÓSITO / UNSTEAMER VALVE	BT27836025	1
37	BRIDA UNEX CORTA 2.5X98 / UNEX CALMP	BE25634010	2
38	BRIDA UNEX 2244 4.8X20 / UNEX CLAMP	BE25634009	1
39	FUNDA TERMOCONTACTO / THERMOCONTACT COVER	BT70110R3009	1
24A	RADIADOR / RADIATOR	BT700002808	

GAS GAS

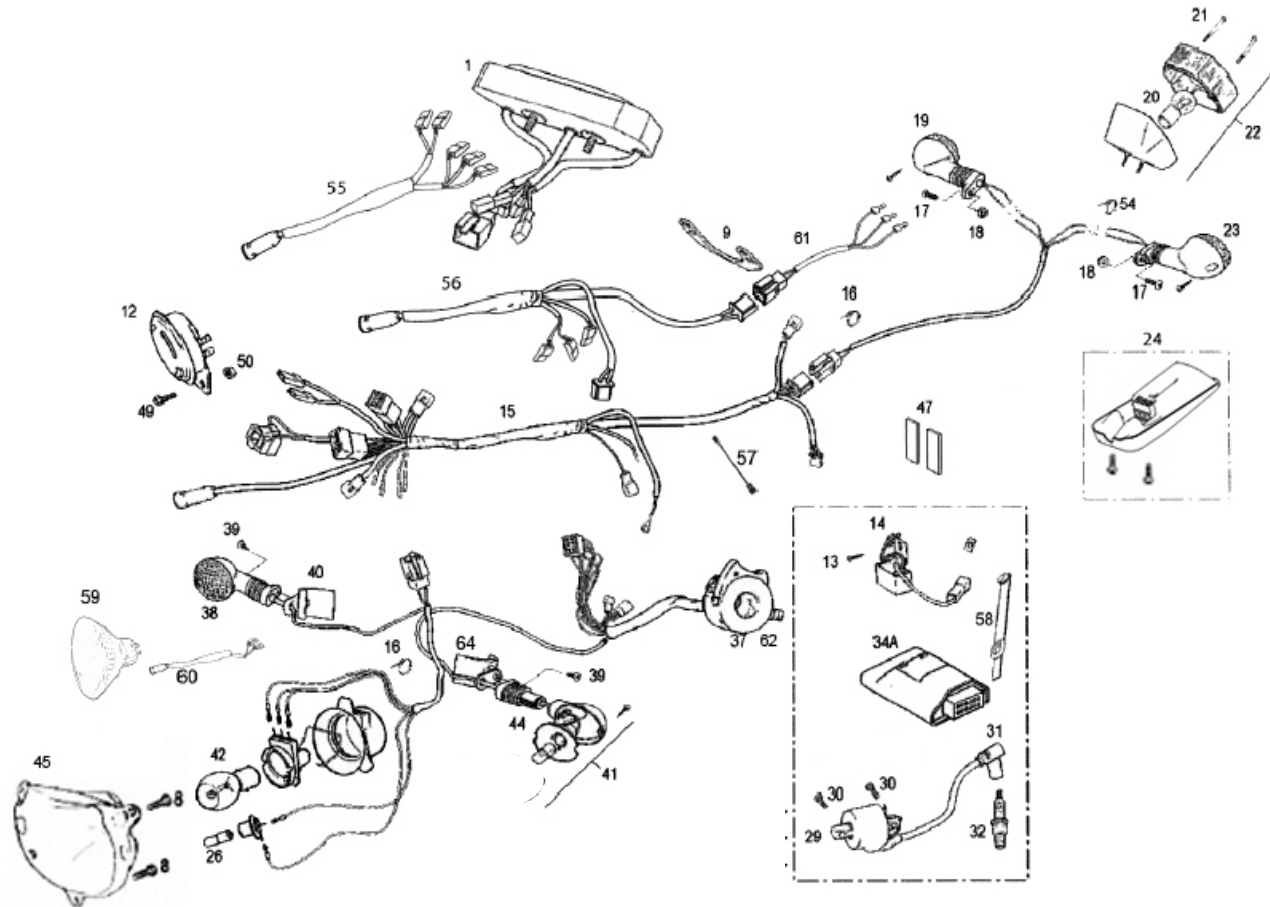
Chasis 7



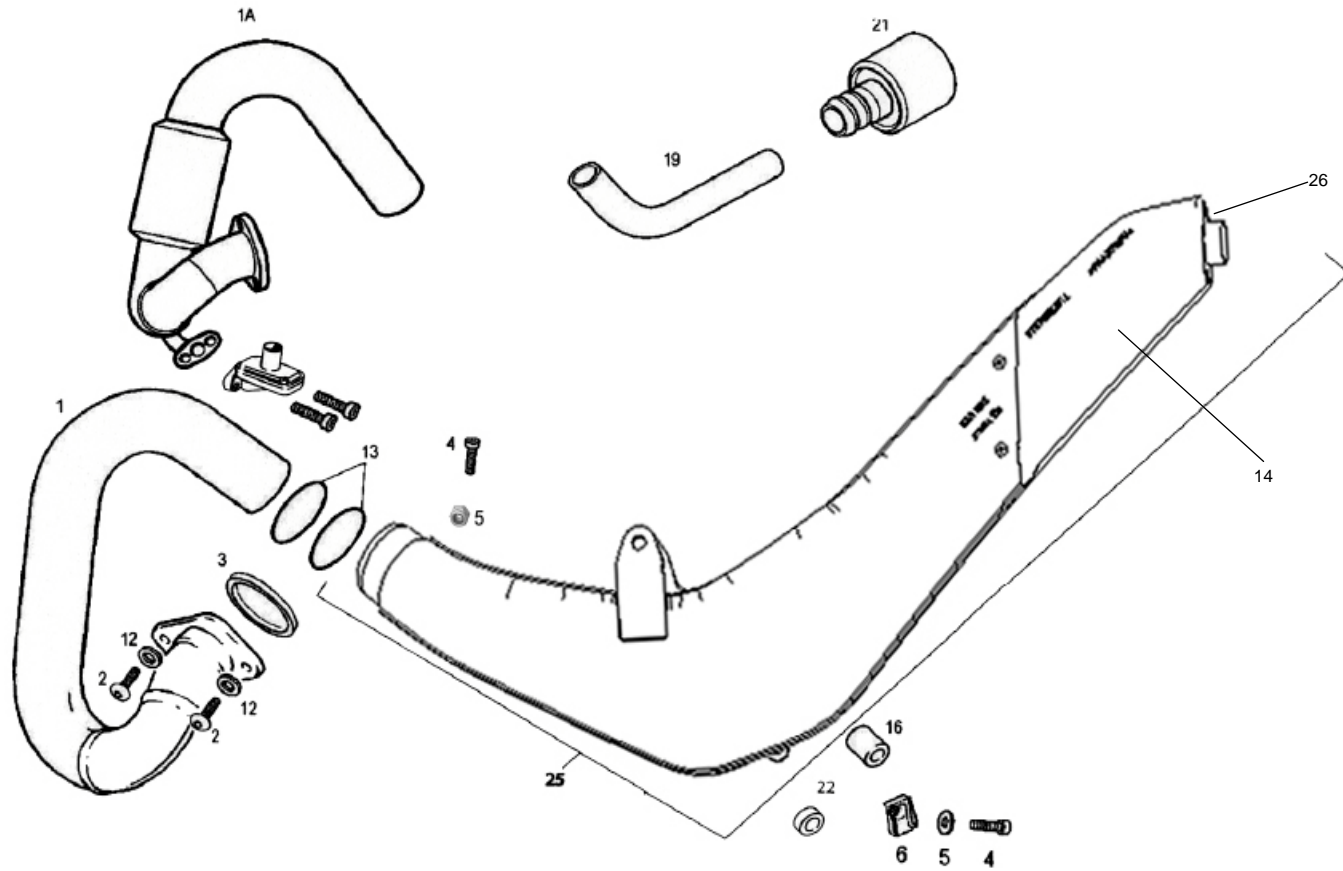
Nº	DESCRIPCION / DESCRIPTION	125/ 280 / 300	Cant.
1	MULTIFUNCIÓN TRIAL / TRIAL MULTIFUNCTION	ET600002808	1
7	BOMBILLA 12V 1,2-9W / 12V 1,2-9W BULB	L300123	3
9	SOPORTE CUENTA KM. / KM. COUNTER SUPPORT	BT280634045	1
12	CTO. CLAXON PE40065G11 / HORN ASSY	L300105	1
13	TORNILLO ESPECIAL 6X14 / 6X14 SPECIAL SCREW	T0206014	1
14	REGULADOR ALTERNADOR / ALTERNATOR REGULATOR	L300031	1
15	INSTALACIÓN TRIAL / TRIAL INSTALLATION	ET10000RC2808	1
15A	INSTALACIÓN HOMOLOGADA / HOMOLOGATED INSTALLATION	ET100002808	1
16	BRIDA UNEX MEDIANA / UNEX CLAMP	BE25634009	3
17	ULS 6X16 NEGRO / 6X16 ULS BLACK BOLT	T0506016N	2
18	TUERCA CON ARANDELA M6 / M6 NUT WITH WASHER	T2206000	2
19	INTERMITENTE DERECHO TRASERO / RIGHT REAR INDICATOR	BT280634018	1
20	BOMBILLA 12V 5-21W / 12V 5-21W BULB	L300116	1
21	CRISTAL FARO TRASERO HOMOLOGADO / HOMOL. REAR LIGHT CAP	BP25734115	1
22	FARO PILOTO TRIAL HOMOLOGADO / HOMOL. TRIAL REAR LIGHT SET	BP27534015	1
23	INTERMITENTE IZQUIERDO TRASERO / LEFT REAR INDICATOR	BT280634019	1
24	FARO PILOTO TRIAL / TRIAL REAR LIGHT SET	ET30000CT2811	1
25	TORNILLO ROSCA CHAPA 3.5X13 / BOLT 3.5X13	T0603513	3
26	LÁMPARA 12V3W BIFARO AM0518 / 12V 3W LAMP	L300119	1
27	TIRA ADHESIVA 45MM. CAJA FILTRO EC2003 / STICKER 45MM.	BE250328039	2
29	BOBINA KOKUSAN IG3815 / KOKUSAN ELECTRIC COIL	ET500002809	1
30	ALLEN 6X16 / ALLEN 6X16 BOLT	T0306016	3
31	PIPA BUJÍA IB05EMH = BT27934000 / SPARK PLUG	BT25934000	1
32	BUJÍA BPR5ES / SPARK PLUG	M04012000	1
34A	CDI DIGITAL CU7510 TRIAL / TRIAL DIGITAL CDI	MT280534007	1
37	CONMUTADOR LUZ TT-97 / LIGHT SWITCH	ET602012808	1
38	INTERMITENTE DERECHO DELANTERO / FRONT RIGHT INDICATOR	BT280634018	1
39	TORNILLO PHILIPS ROSCA-CHAPA 6.3x16 NEGRO / 6.3X16 CLACK SCREW	T0706316	2
40	SOPORTE INTERMITENTE DELANTERO / FRONT INDICATOR SUPPORT	BE250134017	2

GAS GAS

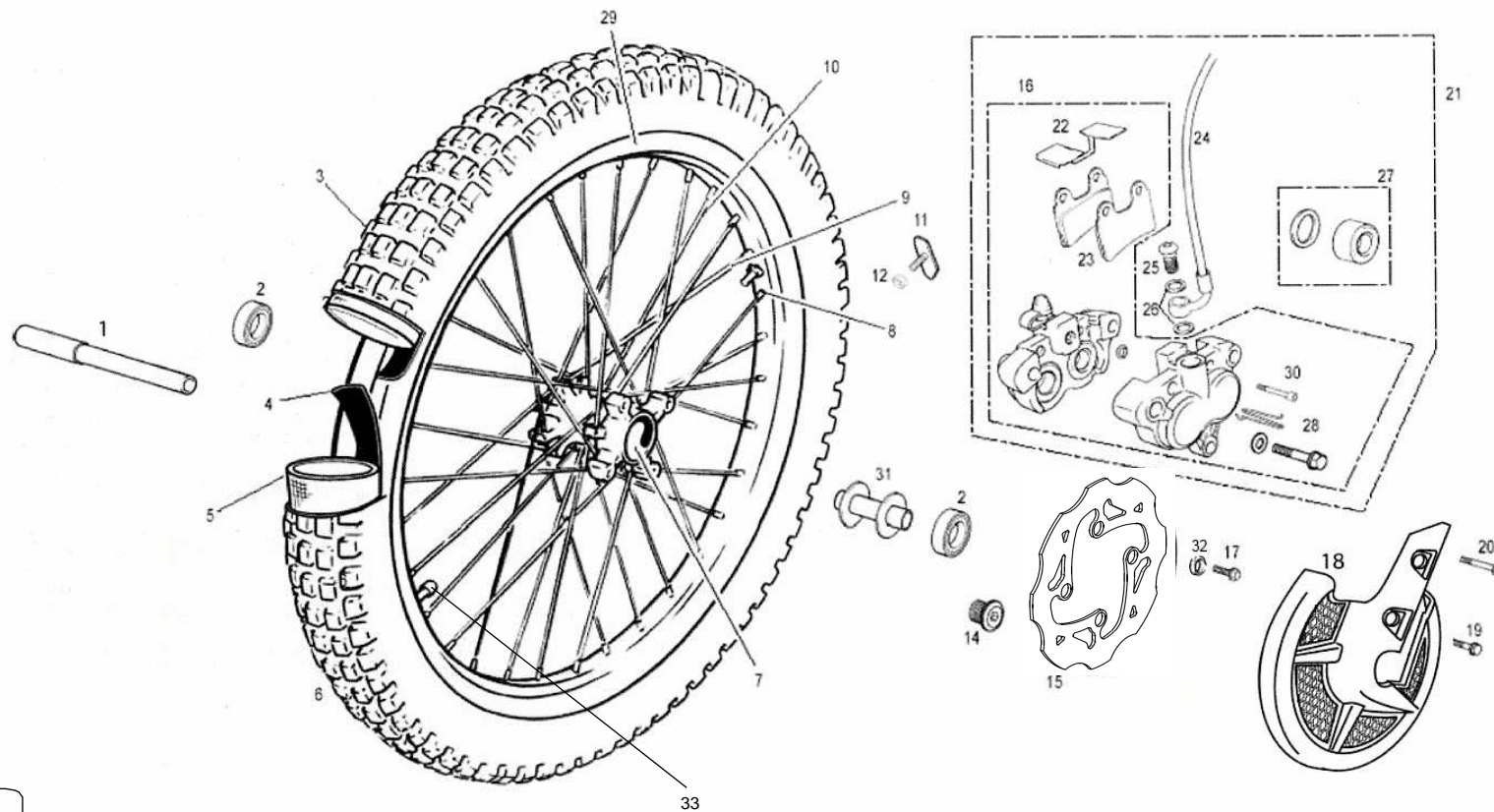
Chasis 8



Nº	DESCRIPCION / DESCRIPTION	125/ 280 / 300	Cant.
41	INTERMITENTE IZQUIERDO DELANTERO / FRONT LEFT INDICATOR	BT280634019	1
42	BOMBILLA 12V 35W/35 (1221) / 12V 35W/35 LAMP	L300122	4
44	LÁMPARA 12V15W CASQUETE / 12V15W LAMP	L300115	4
45	ÓPTICA FARO HOMOLOGADO / HEADLIGHT	BT280120022	1
47	ESPUMA PROTECTORA CDI KOKUSAN TRIAL PRO 2005 / CDI PROTECTOR	MT280534023	2
49	ULS 6X10 C/ARANDELA PLATA / ULS 6X10 BOLT	T0556010	1
50	TUERCA AUTOBLOCANTE BAJA M6 (DIN985) / M6 NUT	T2106001	1
54	BRIDA NYLON 3.6X140 LAT.EMBRAGUE / ALLEN BOLT 6X14	BE250022031	1
55	ALARGO LUZ RACING / WIRING CONNECTION RACING FRONTLIGHT	ET203001208	1
56	INSTALACIÓN RACING TRIAL / TRIAL RACING INSTALLATION	ET10000RC2808	1
57	ALARGO CONECTOR BOBINA / BOBINE WIRE EXTENSION	ET501002809	1
58	GOMA SUJECCION CDI /	BE250034100	1
59	OPTICA 20 LEDS FARO RACING / OPTICS 20 LEDS LIGHTHOUSE RACING	ET20000RC2808	1
60	CABLE ADAPTADOR OPTICA FARO RACING / ADAPTER CABLE LIGHTHOUSE RACING OPTICS	ET203002808	1
61	INST. ALARGO PILOTO TRASERO TRIAL / INSTALLATION	ET300102808	1
62	CONMUTADOR LUZ 2 POSICIONES	ET602002808	1
63	CAJA INTERMITENCIA	L300720	1
64	SOPORTE INTEMITENCIA IZQUIERDO	BE200134020	1



Nº	DESCRIPCION / DESCRIPTION	125/ 280 / 300	Cant.
1	CURVA ESCAPE TRIAL SXXI / TRIAL BEND EXHAUST SXXI	BT300726001RA	1
1A	CURVA ESCAPE HOMOLOGADA / HOMOLOGATED BEND EXHAUST	BT280626001H	1
2	ULS 8X16 / 8X16 ULS	T0508016	2
3	JUNTA ESCAPE S4 105 / EXHAUST GASKET	MT280244012	1
4	TORNILLO ESP. 6X14 / SPECIAL SCREW 6X14	T0206014	1
5	TUERCA CON ARAND. ESTRIADA M6 / M6 NUT WITH WASHER	T2206000	1
12	ARANDELA GROVER 8X12X2 / GROVER WASHER	T4008314	2
13	TÓRICA SILENCIOSO INTERMEDIO 44.05X3.53 / O'RING INT. SILENCER	C290000	2
14	CAZOLETA SILENCIOSO FINAL / FINAL EXHAUST COVER	BT870802811	1
16	CASQUILLO SEPARADOR MOTOR EC125 / BUSHING	BE120110065	1
19	TUBO AIRE SECUNDARIO DE ESCAPE A VÁLVULA / SECONDARY AIR HOSE FROM EXHAUST TO VALVE	BT280626061	1
21	FILTRO AIRE SECUNDARIO / SECONDARY AIR FILTER	BT280626059	1
22	CASQUILLO INF. ESCAPE TRIAL / LOWER EXHAUST BUSHING TRIAL	BT280226240	1
23	ABRAZADERA 8X15 / 8X15 CLIP	BQ300214157	4
24	ULS 6X14 ARANDELA INC./ WASHER INC ULS 6X14	T0556014	2
25	CTO. INTERM. Y FINAL / INTERMEDIATE AND FINAL SET	BT860002811	1
26	PLETINA ALUMINIO CAZOLETASILENCIOSO / FINAL MUFFLER COVER ALUMINIUM PLATE	BT870602811	1



Nº	DESCRIPCION / DESCRIPTION	125/ 280 / 300	Cant.
1	EJE RUEDA DELANTERA TRIAL PRO 2004 / FRONT WHEEL AXLE	BT53000R3009	1
2	COJINETE / BEARING	ME120136055	2
3	CUBIERTA DELANTERA 2.75X21 / FRONT TYRE	BT501002810	1
4	GOMA PROTECTOR R14025 2.75X21 REF. 554350 / FRONT FLAP TYRE	N100000	1
5	CÁMARA DELANTERA 2.75X21 REF. 450905 / FRONT TUBE	N120000	1
6	RUEDA DELANTERA TRIAL PRO / PRO FRONT WHEEL	BT50000RCT3010	1
7	CUBO RUEDA DELANTERA TRIAL / FRONT HUB WHEEL	BT54100R3010	1
8	TUERCA RADIOS 3MM. RUEDA DELANTERA DIA. 6.5 / SPOKE NUT	BT27718001	32
9	RADIO 3X257 RUEDA DELANTERA TRIAL NEGRO / BLACK FRONT WHEEL SPOKE	BT54200N2809	32
11	AGARRE CUBIERTA / TYRE CLAMP	BE25618027	1
12	TUERCA CON ARANDELA ESTRIADA M8 ZINCADA / NUT WITH WASHER	BE25818060	1
14	TORNILLO EJE RUEDA DEL. TRIAL PRO 2004 / FRONT WHEEL AXLE SCREW	BT53010R3009	1
15	DISCO FRENO DELANTERO / FRONT BRAKE DISK	BT52000R3010	1
16	PINZA FRENO DELANTERO / FRONT BRAKE PADS	BT62000RA3010	1
17	HEXAGONAL M8 CON ARANDELA / M8 HEXAGONAL SCREW WITH WASHER	T0206020	4
18	PROTECTOR DISCO FRENO / FRONT BRAKE DISK PROTECTOR	BT94100RB3009	1
19	TORNILLO PINZA FRENO DELANTERA INFERIOR 8X1.25X36.5 / SCREW	BT280022071	1
20	TORNILLO PINZA FRENO DELANTERA SUPERIOR 8X1.25X62.5 / SCREW	BT280022070	1
21	CTO. FRENO DELANTERO TRIAL / FRONT BRAKE SET	BT60000RACT3010	1
22	PLANCHA PROTECCIÓN PASTILLAS FRENO / BRAKE PAD PROTECTOR	BT280222213	1
23	PASTILLA FRENO DELANTERA 229.99102 / FRONT BRAKE PAD	BT280222065	2
24	LATIGUILLO FRENO DELANTERO 2000 / FRONT BRAKE TUBE	BT280222002	1
25	SANGRADOR FRENO DELANTERO D8 / HOSE SCREW	BT612002811	1
26	ARANDELA PLANA COBRE 10.25X14X1.4 / 10.25X14X1.4 WASHER	BT27922072	2
27	KIT REPARACION PINZA FRENO DEL. / FRONT BRAKE CALIPER SET	BT280222201	1
28	CHAVETA SUJECCIÓN PASTILLA FRENO / FRONT BRAKE PAD KEY	R250000	1
29	LLANTA DELANTERA COLOR TITANIO /TITAN COLOR FRONT WHEEL RIM	BT540002810	1
30	TORNILLO SUJECCION PASTILLAS / BRAKE PADS SCREW	BT280222006	1
31	CASQUILLO INTERIOR BUJE / BUSHING	BT280418051	1
32	DISTANCIADOR DISCO FLOTANTE / WASHER FLOATING DISC	BT27918019	4
33	JUEGO TAPONES SILICONA VALVULA TRIAL ROJOS	BT555002808R	1
34	CTO. LLANTA DELANTERA RADIADA	BT54000RCT3010	1
			1

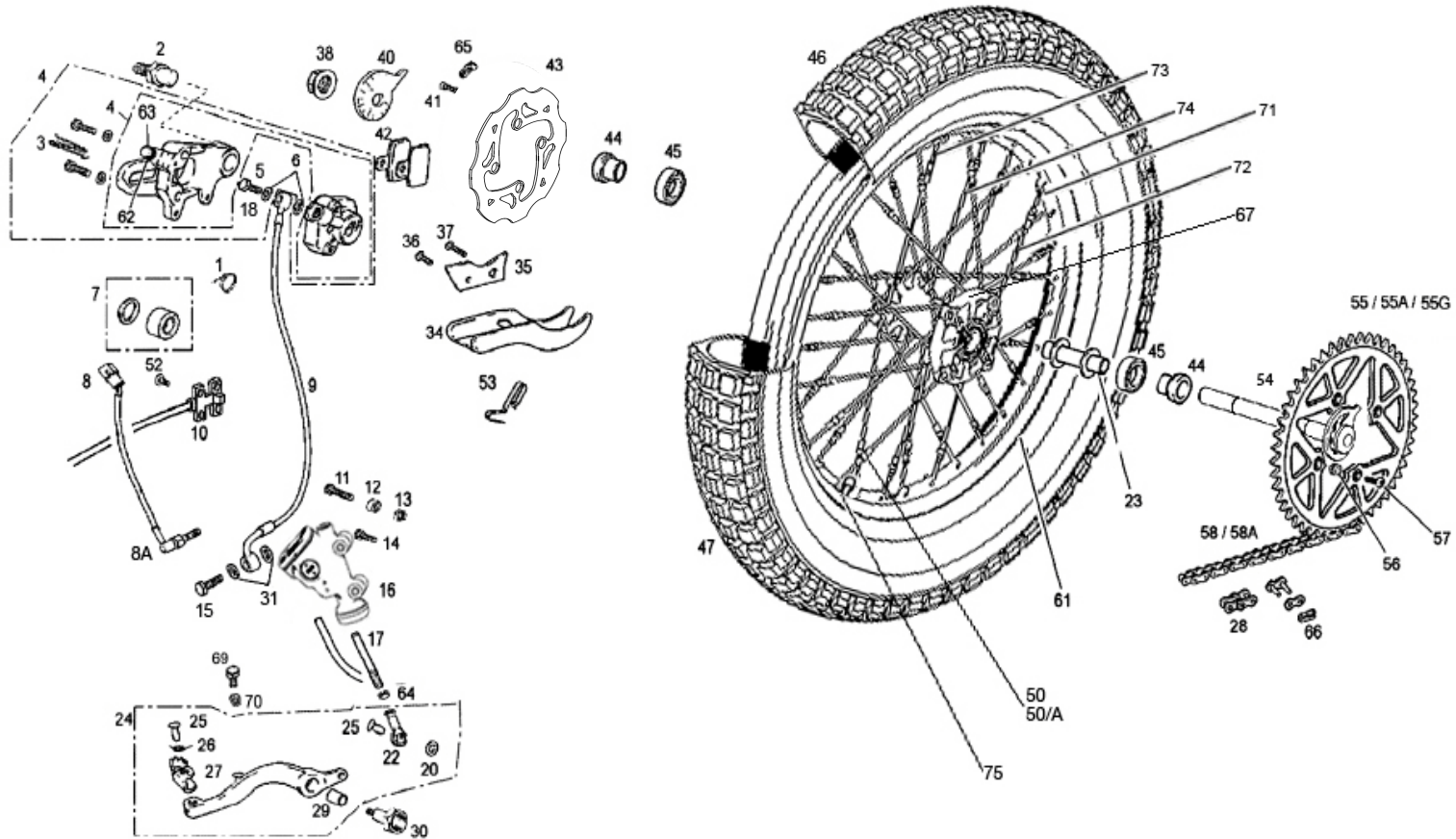
GAS GAS

Chasis 10

**Rueda trasera /
Rear wheel**

GAS GAS

TXT RACING 2011



Nº	DESCRIPCION / DESCRIPTION	125/ 280 / 300	Cant.
1	BRIDA UNEX CORTA 2221-0 2,5X98 / 0 2.5X98 / CABLE TIES 2.5X98	BE25634010	1
2	CASQUILLO CENTRADOR PINZA / SPACER BUSHING	BT280222049	1
3	CHAVETA SUJECCIÓN PASTILLA / KEY SPACER BRAKE PADS	R250000	1
4	PINZA FRENO TRASERA / CALIPER BRAKE REAR	BT670002811	1
5	TORNILLO LATERAL BOMBA FRENO TRASERO / BOLT PRESSURE HOSE	R320000	1
6	ARANDELA AL. 10X14X1.5 / WASHER 10X14X1.5	BT280422007	2
7	KIT REPARACIÓN PINZA FRENO / REPAIR KIT BRAKE PAD	BT280222202	1
8	INTERRUPTOR STOP HOMOLOGADO / STOP INTERRUPTOR HOMOL.	BT662052811	1
8A	RACOR LATIGUILLO FRENO	BT662052811	1
9	LATIGUILLO FRENO TRASERO / REAR BRAKE HOSE	BT661002811	1
10	REENVÍO / HALL SENSOR	BT280634050	1
11	TORNILLO 6X25 / 6X25 BOLT	T0206025	1
12	CASQUILLO SEPARADOR FRENO TRASERA / REAR BRAKE PUMP SPACER	BT280226240	1
13	TUERCA CON ARANDELA M6 (DIN 6923) ESTRIADA / M6 NUT WITH WASHER	T2206000	2
14	TORNILLO ESPECIAL 6X14 / 6X14 SPECIAL SCREW	T0206014	1
15	RACOR LATIGUILLO BOMBA FRENO D8	BT662002811	1
16	BOMBA FRENO TRASERO / REAR BRAKE PUMP	BT66000RA3010	1
17	VARILLA FRENO TRASERA TRIAL 2002 / BRAKE ROD	BT280222062	1
18	RACOR SENSOR FRENO BOMBA TRASERA.	BT662052811	1
20	ARANDELA PLANA 6X12X1.5 / WASHER 6X12X1.5	T4006012	1
22	RÓTULA PEDAL FRENO / BRAKE PEDAL BALL-AND-SOCKET JOINT	BT280222053	1
23	CASQUILLO SEPARADOR 390.80.221 / BUSHING	BT280218052	1
24	CTO. PEDAL FRENO TRASERO / REAR BRAKE PEDAL SET	BT13000CT2809	1
25	REMACHE PUNTERA PEDAL FRENO / BRAKE PEDAL END RIVET	BE25922018	1
26	MUELLE PUNTERA PEDAL / SPRING PEDAL, END GEAR CLEVER	ME25636029	1
27	PUNTERA PEDAL FRENO / TOE PEDAL BRAKE	BT27922017	2
28	ENGANCHE CADENA IRIS 520 RXL / CHAIN SPLIT LINK	BT280310066	1
29	GLACIER PEDAL FRENO 1215PD10 / GLACIER BRAKE PEDAL	C200101	1
30	CASQUILLO TORNILLO PEDAL FRENO TRIAL / SCREW BUSHING	BT280610302	1
31	ARANDELA RACOR D8X12X1.5	BT662102811	2

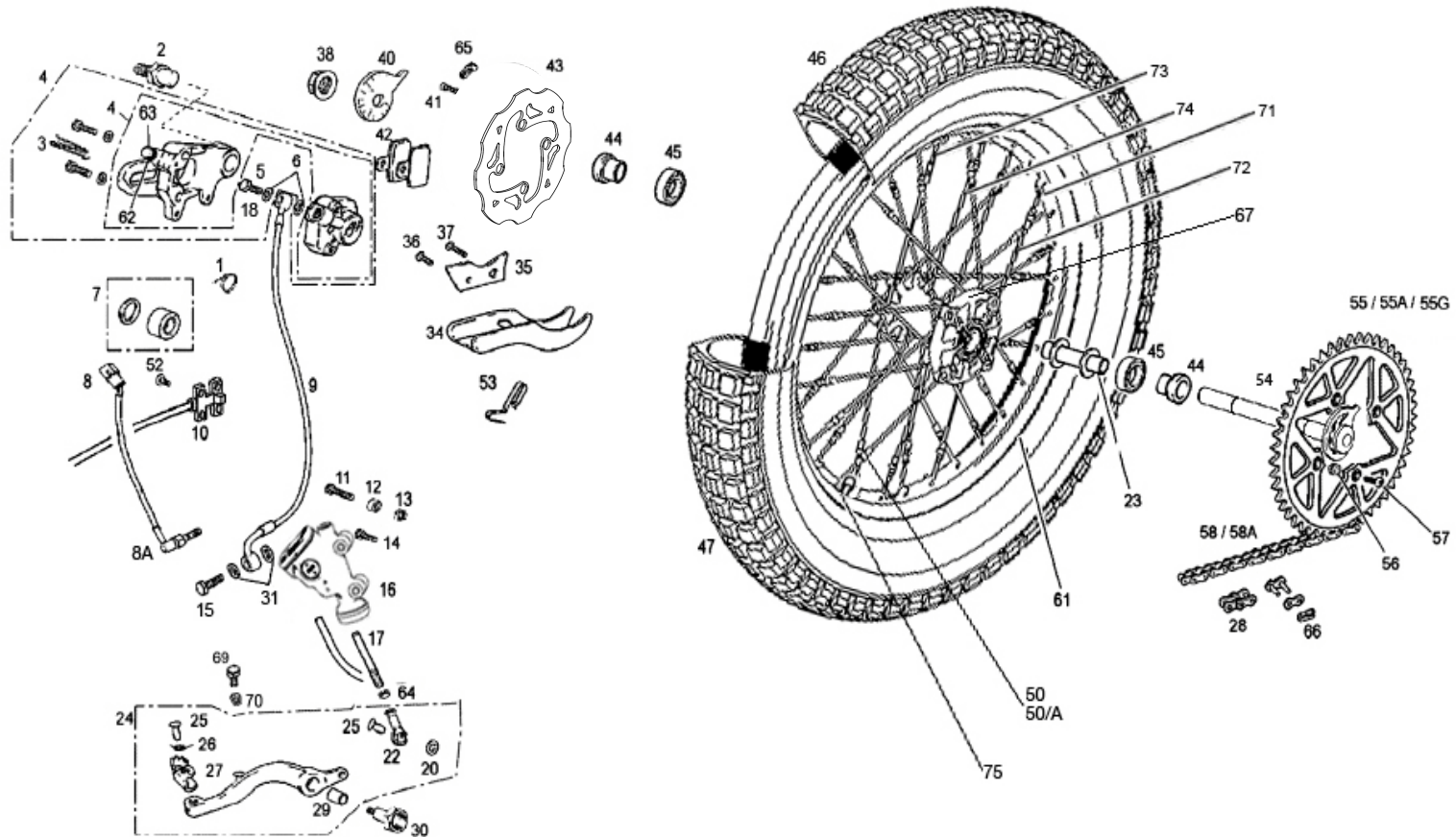
GAS GAS

Chasis 11

**Rueda trasera /
Rear wheel**

GAS GAS

TXT RACING 2011



Nº	DESCRIPCION / DESCRIPTION	125	280 / 300	250 / 280 / 300	Cant.
34	PROTECTOR DISCO TRASERO 2001 / BRAKE DISC PROTECTOR			BT57050R3009	1
35	SOPORTE PROTECTOR DISCO TRASERO / BRAKE DISC PROTECTOR SUPPORT			BT280222051	1
36	ULS 5X12 / 5X12 ULS			T0505012	1
37	TORNILLO ULS 6X20 / 6X20 ULS BOLT			T0506020	1
38	TORNILLO EJE RUEDA TRASERA / REAR WHEEL AXLE BOLT			BT280718023	2
39	ARANDELA EJE TRASERO 17X30X1,5 DIN 137 / REAR WASHER			BT280436014	1
40	EXCÉNTRICA TRASERA IZQ. / LEFT REAR SAIL CAM ADJUSTER			BT280718022L	2
41	ALLEN 6X18 / 6X18 SCREW			T0206020	4
42	PASTILLA FRENO TRASERA / REAR BRAKE PADS			BT280222068	2
43	DISCO FRENO TRASERO TRIAL / REAR BRAKE DISK			BT57000R3010	1
44	DISTANCIADOR RUEDA TRASERA 7.5MM / REAR SPACER WHEEL			BT280218021	2
45	COJINETE 6004 / BEARING			C160001	2
46	CUBIERTA TRASERA 400X18 TBL5 / REAR WHEEL TYRE			BT551002810	1
47	RUEDA TRASERA TRIAL / TRIAL REAR WHEEL			BT55000RCT3010	1
50	SENSOR RADIO / SPOKE NUT			BT592032809	32
51	VÁLVULA / AIR VALVE			N200110	16
52	ULS 6X10 / 6X10 ULS			T0506010	16
53	SOPORTE DEPÓSITO LÍQUIDO DE FRENO / BRAKE FLUID TANK SUPPORT			BT280410943	32
54	CTO. EJE RUEDA TRASERA CON EXCENTRICA / REAR WHEEL AXLE SET WITH CAM ADJUSTER			BT280718020CT	1
55	CORONA TITANIO Z41 / SPROCKET TITANIUM Z41	BT573002810	BT573002810	---	1
55A	CORONA TITANIO Z42 / SPROCKET TITANIUM Z42		BT573003010	---	1
55B	CORONA TITANIO Z48 / SPROCKET TITANIUM Z48	BT573001210		---	1
56	TUERCA AUTOBLOCANTE M8 BAJA / LOW SELF-LOCK NUT			T2108001	4
57	ULS 8X20 PLAT. PROT. / 8X20 ULS			T0508022	4
58	CADENA TRIAL / TRIAL CHAIN		BT280310036	---	1
58A	CADENA TRIAL 520 RXL 104 PASOS / CHAIN	BT120210036		---	1

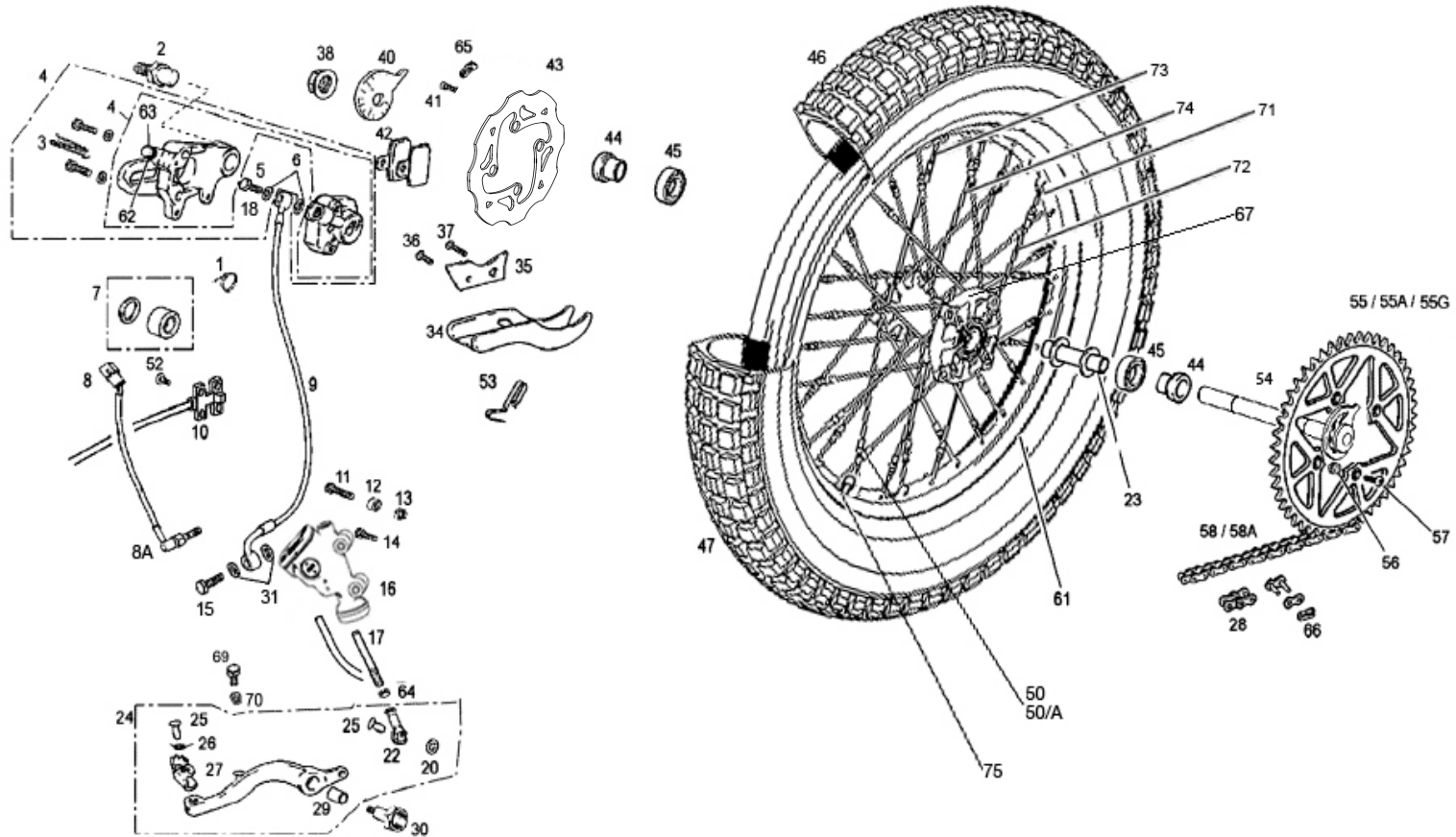
GAS GAS

Chasis 11

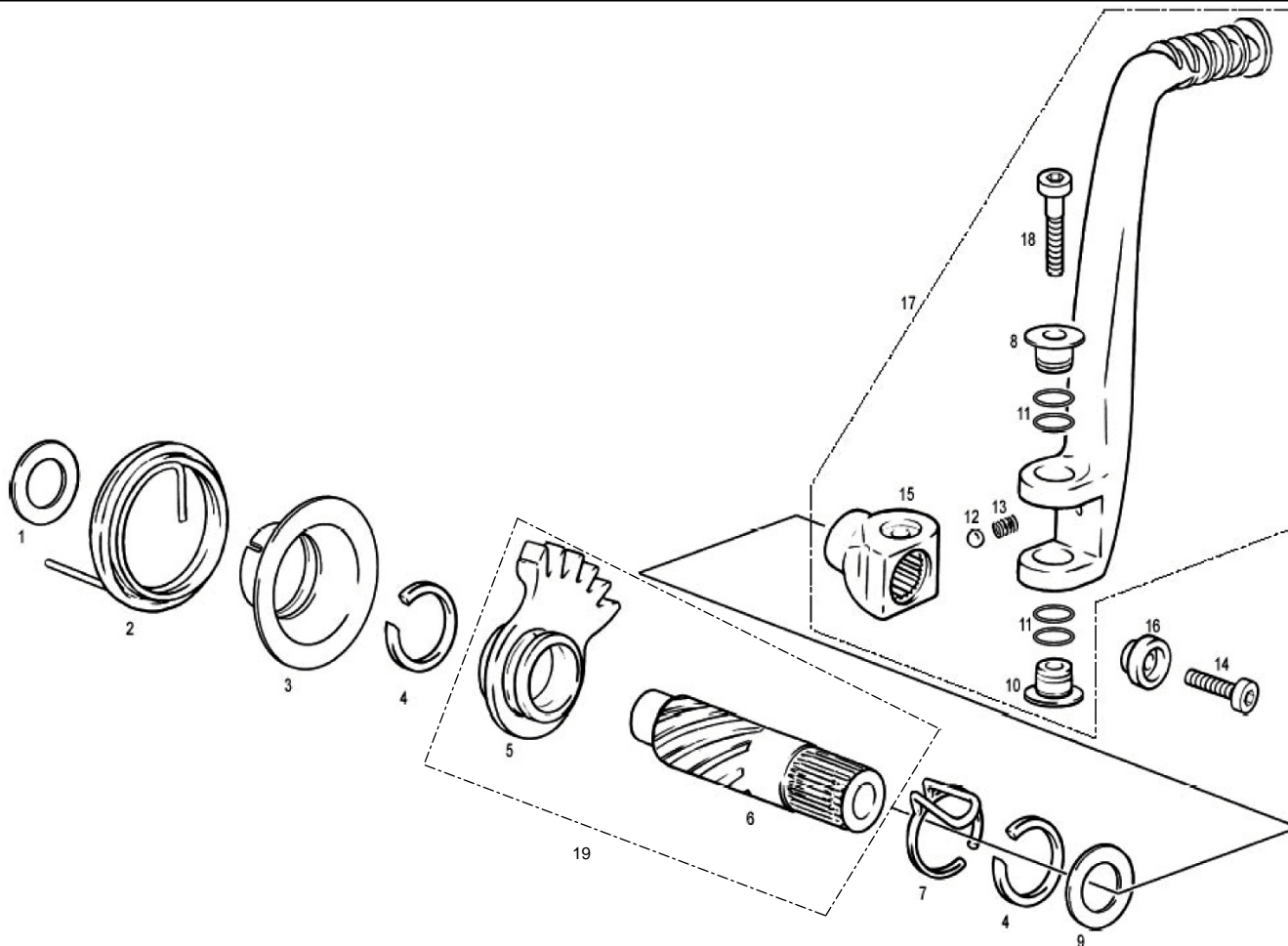
**Rueda trasera /
Rear wheel**

GAS GAS

TXT RACING 2011



Nº	DESCRIPCION / DESCRIPTION	125/ 280 / 300	Cant.
59	FLAP LLANTA TRASERA / REAR RIM FLAP	BT551502808	1
60	CTO. LLANTA TRASERA RADIADA /	BT59000RCT3010	1
61	LLANTA RUEDA TRASERA / REAR WHEEL RIM	BT590002811	1
62	SANGRADOR / BLEEDER	BE25622060	1
63	TAPÓN SANGRADOR / BLEEDER CAP	BT27922055	1
64	TUERCA M6 BAJA DIN 934 / M6 NUT	T2006001	1
65	IMÁN 2221-0 2.5X98 / MAGNET	BT280234012	1
66	MEDIA MALLA IRIS 520 RXL / IRIS 520 RXL AVERAGE MESH	BT280310067	1
67	CUBO RUEDA TRASERA / REAR WHEEL HUB	BT280218027	1
69	TORNILLO HEXAGONAL 5X10 // HEXAGONAL SCREW M5X10	T0105010	1
70	TUERCA M5 / NUT M5 NORMAL	T2005000	1
71	RADIO IZQUIERDO CORTO	BT59222R3009	16
72	RADIO IZQUIERDO LARGO	BT59211R3009	16
73	RADIO DERECHO CORTO	BT59202R3009	16
74	RADIO DERECHO LARGO	BT59201R3009	16
75	JUEGO TAPONES SILICONA VALVULA TRIAL ROJOS	BT555002808R	1



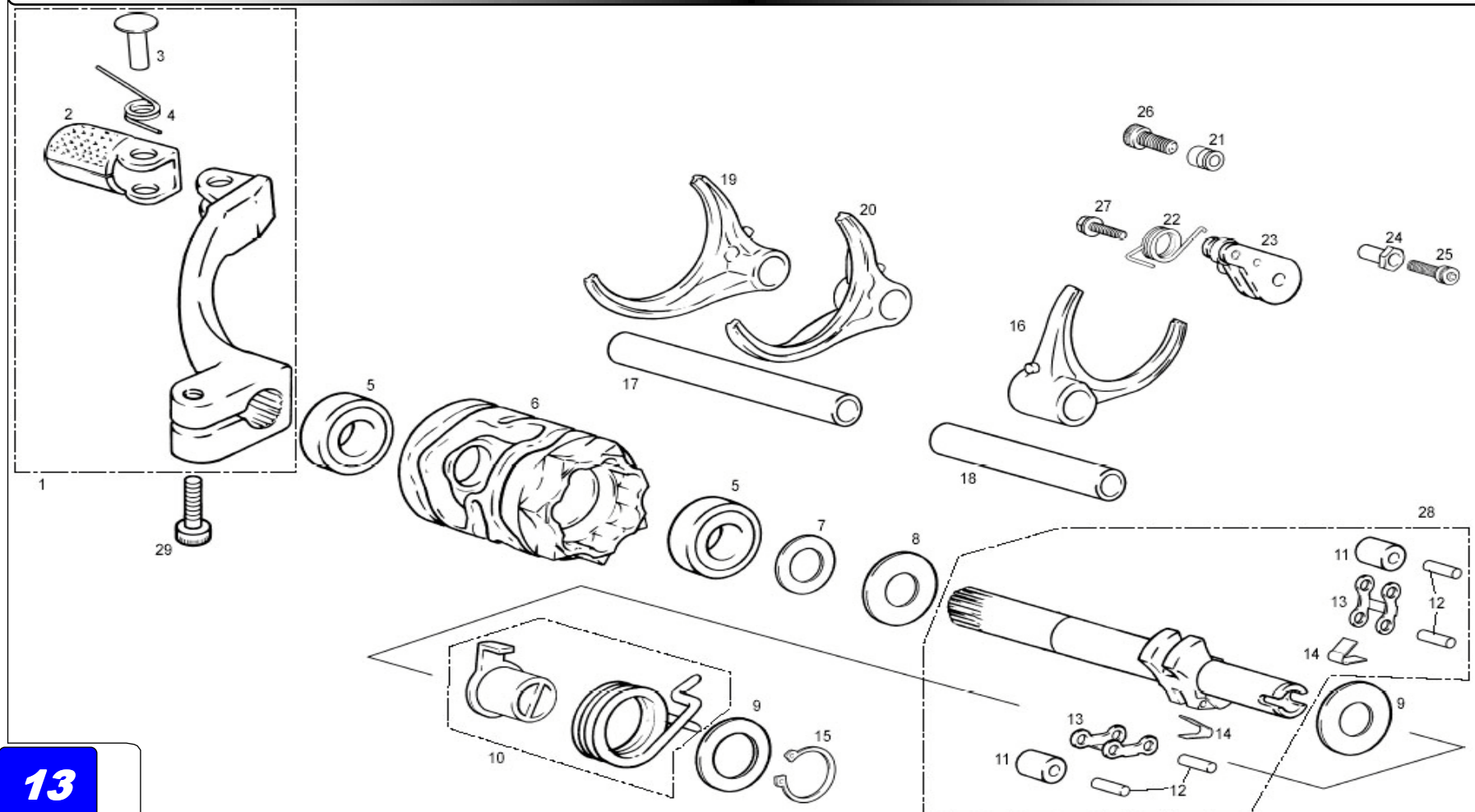
Nº	DESCRIPCION / DESCRIPTION	125/ 280 / 300	Cant.
1	ARANDELA 14X25X0,5 / 14X25X0,5 WASHER	T4001425	1
2	MUELLE ARRANQUE TRIAL / PEDAL KICKSTART SPRING	MT280226007	1
3	CENTRADOR MUELLE ARRANQUE / KICKSTART SPRING BUSHING	MT280226053	1
4	CIRCLIP EJE 18 MM / AXIS CIRCLIP	MT280226017	2
5	PIÑÓN ARRANQUE TRIAL 2002 / KICKSTART GEAR	MT280226002	1
6	EJE ARRANQUE TRIAL 2002 / KICKSTARTER SHAFT	MT890102811	1
7	MUELLE FRICCIÓN ARRANQUE / FRICTION KICKSTART SPRING	MT280226006	1
8	CASQUILLO PEDAL ARRANQUE / KICKSTART PEDAL BUSHING	MT280226066	1
9	ARANDELA 18,2X24X0,5 / 18,2X24X0,5 WASHER	T4001824	1
10	TUERCA PEDAL ARRANQUE / KICKSTART PEDAL NUT	MT280226065	1
11	TÓRICA NBR 12X1 / NBR O'RING	MT280226063	4
12	BOLA MUÑEQUILLA PEDAL / KICKSTART PEDAL BALL	ME250036062	1
13	MUELLE MUÑEQUILLA PEDAL / KICKSTART PEDAL SPRING	ME250036066	1
14	TORNILLO UFK M6X25 / M6X25 UFK SCREW	T0316025	1
15	MUÑEQUILLA PEDAL ARRANQUE / KICKSTART PEDAL BASE	MT280226061	1
16	CASQUILLO SUJECIÓN PEDAL / KICKSTART PEDAL BUSHING	MT280226068	1
17	CTO. PEDAL ARRANQUE TRIAL 2004 / KICKSTART PEDAL COMPLETE	MT280626060	1
18	ALLEN M6X35 / M6X35 ALLEN BOLT	T0306035	1
19	CTO EJE Y PIÑÓN ARRANQUE / STARTING SHAFT AND SPROCKET	MT280226002R	



**Selector de cambio /
Shift cam**

GAS GAS

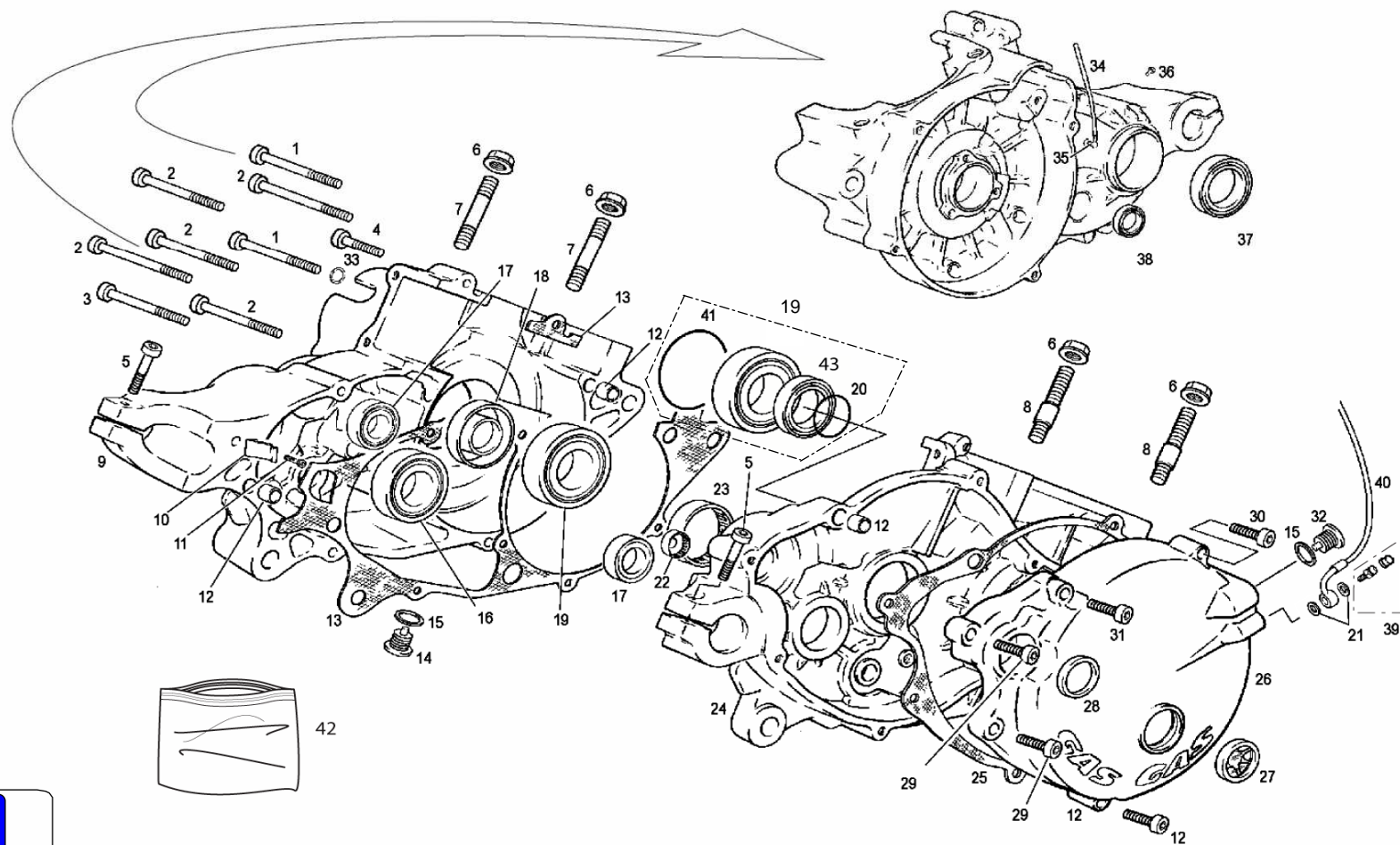
TXT RACING 2011



Nº	DESCRIPCION / DESCRIPTION	125/ 280 / 300	Cant.
1	CTO. PEDAL CAMBIO / GEAR PEDAL COMPLETE	MT280238026	1
2	PUNTERA PEDAL CAMBIO / GEAR PEDAL END	ME25636027	1
3	REMACHE PUNTERA CAMBIO / RIVOT PEDAL END	ME25636030	1
4	MUELLE PUNTERA PEDAL CAMBIO / PEDAL END SPRING	M121000	1
5	COJINETE 12X24X6 2Z DESMO / 12X24X6 2Z DESMO BEARING	MT280238032	2
6	DESMODRÓMICO / SHIFT DRUM	MT280238031	1
7	ARANDELA 12,2X18X0,5 / 12,2X18X0,5 WASHER	T4001218	1
8	ARANDELA 12,2X24X0,5 / 12,2X24X0,5 WASHER	T4001224	1
9	ARANDELA 10,2X24X0,5 / 10,2X24X0,5 WASHER	T4011024	2
10	POSICIONADOR Y MUELLE EJE SELECTOR / SHIFT SHAFT CENTER LOCATOR AND SPRING	MT280238037CT	1
11	RODILLO TRINQUETE SELECTOR / RATCHET ROLLER	MT280238040	2
12	AGUJA 3X13,8 / 3X13,8 NEEDLE	MT280238048	4
13	TRINQUETE SELECTOR / RATCHET ARM SELECTOR	MT280238036	2
14	MUELLE TRINQUETE SELECTOR / RATCHET SEL. SPRING	MT280238039	2
15	CIRCLIP E10 EJE / E10 SHAFT CIRCLIP	M03314011	1
16	HORQUILLA PRIMARIA / SHIFT FORK PRIMARY	MT280238009	1
17	EJE HORQUILLA LARGO / LONG FORK SHAFT	MT280238044	1
18	EJE HORQUILLA CORTO / SHORT FORK SHAFT	MT280238045	1
19	HORQUILLA 2-4-5-6 / 2-4-5-6 FORK	MT280238007	1
20	HORQUILLA 1-3 / 1-3 FORK	MT280238008	1
21	TOPE MUELLE FIJADOR / SPRING REST POST	MT280238049	1
22	MUELLE FIJADOR MARCHAS / GEAR SELECTOR SPRING	MT280238034	1
23	FIJADOR MARCHAS / GEAR SELECTOR ARM AND ROLLER	MT280238033	1
24	TOPE MUELLE EJE SELECTOR / SELECTOR SPRING TOP SHAFT	MT280238050	1
25	ALLEN 5X25 DACROMET / 5X25 DACROMET ALLEN BOLT	T0305025	1
26	ALLEN 5X20 / 5X20 ALLEN	T0305020	1
27	HEXAGONAL 5X25 CON ARANDELA / HEXAGONAL BOLT WITH WASHER	BT280010086	1
28	CONJUNTO EJE SELCTOR / SHIFT SHAFT SET	MT280238043	1
29	ALLEN 5X15 / 5X15 ALLEN	T0305015	1

GAS GAS

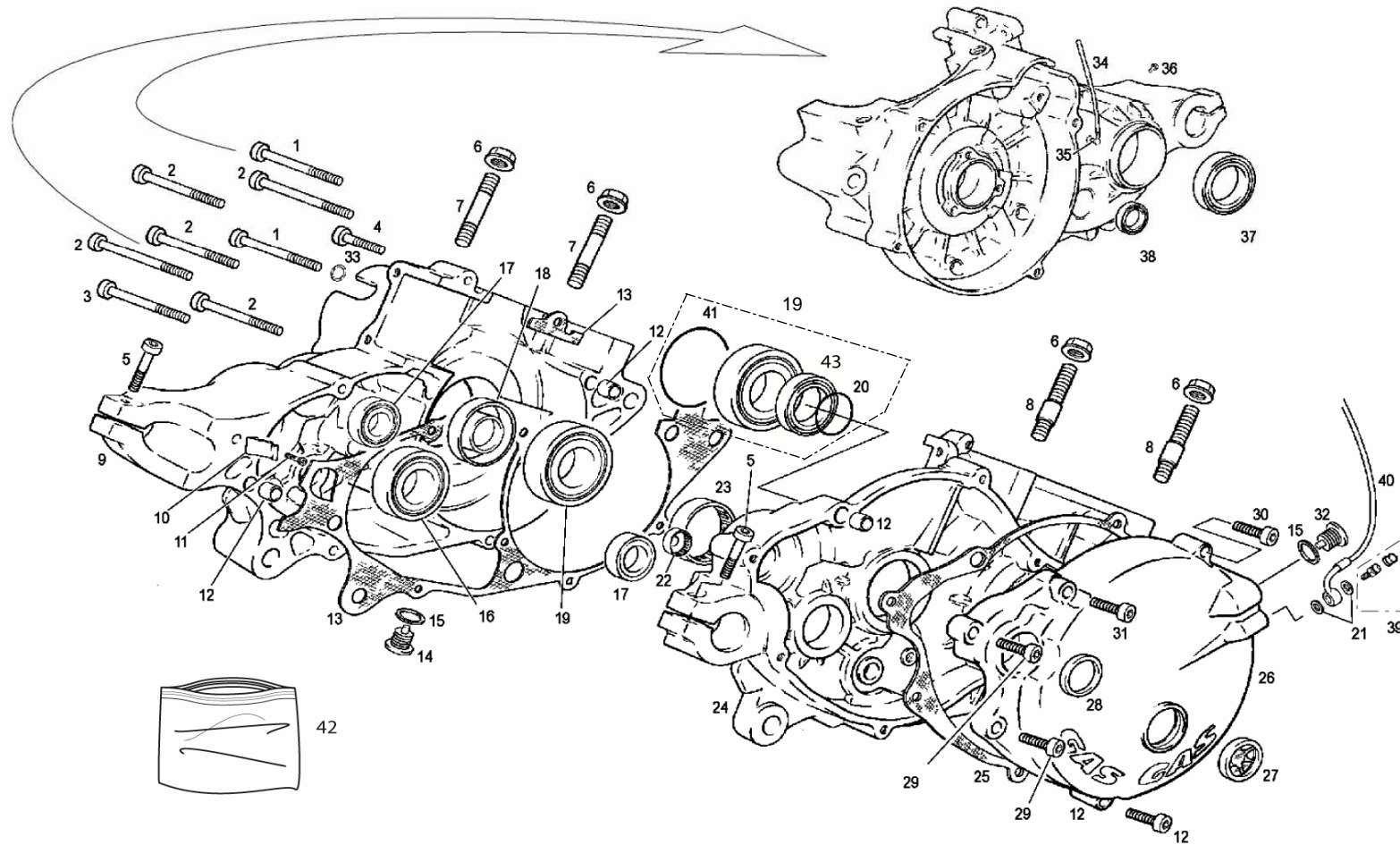
Motor 2

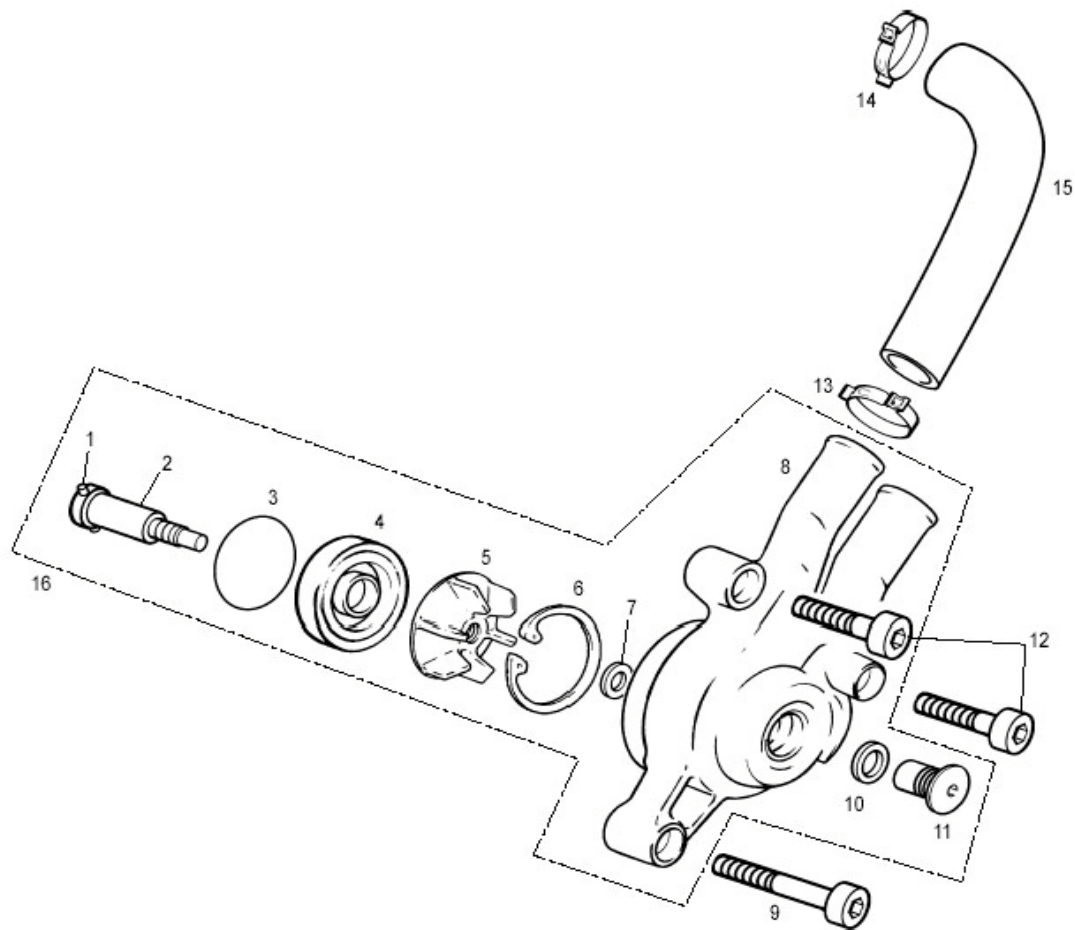


Nº	DESCRIPCION / DESCRIPTION	125/ 280 / 300	Cant.
1	ALLEN 5X65 ZINCADO NEGRO / 5X65 BLACK ALLEN BOLT	T0315065	2
2	ALLEN 5X55 ZINCADO NEGRO / 5X55 BLACK ALLEN BOLT	T0305055	5
3	ALLEN 5X75 ZINCADO NEGRO / 5X75 BLACK ALLEN BOLT	T0315075	1
4	ALLEN 5X35 DACROMET / 5X35 DACROMET ALLEN BOLT	T0305035	1
5	ALLEN 5X20 DACROMET / 5X20 DACROMET ALLEN BOLT	T0305020	2
6	TUERCA CILINDRO 8.8 ESP / CILINDER NUT	M01613001	4
7	ESPÁRRAGO CILINDRO / BASE STUD CYLINDER LEFT	MT280216023	2
8	ESPÁRRAGO CON CENTRAJE / BASE STUD CYLINDER RIGHT	MT280216056	2
9	CÁRTER MG. IZQUIERDO TRIAL / LEFT CRANKCASE HALF	MT280310001RA	1
10	TOPE ARRANQUE TRIAL / STOP KICKSTART PEDAL	MT890202811	1
11	ALLEN 5X15 DACROMET / 5X15 DACROMET ALLEN BOLT	T0305015	1
12	CASQUILLO CENTRADOR CÁRTER 6X9X14 / CRANKCASE BUSHING	M01017000	4
13	JUNTA CÁRTER CENTRAL 0.2 MM / CENTER CRANKCASE GASKET	MT280344001	1
14	TAPÓN VACIADO ACEITE CON IMÁN / MAGNETIC OIL DRAIN PLUG	ME25610017	1
15	ARANDELA TIPO BUJÍA 12X18X2 / WASHER	MT280410030	2
16	COJINETE 25X47X12 / 25X47X12 / BEARING	MT280236159	1
17	COJINETE 15X32X9 6002 2RSL CAMBIO / BEARING GEAR	MT280236160	2
18	RETÉN 25X35X7 TEFLÓN CIGUEÑAL IZQUIERDO / OIL SEAL CRANK SHAFT	MT280212009	1
19	COJINETE CIGUEÑAL ST5225 / ST5225 CRANKSHAFT BEARING	MT31000CT2811	2
20	TÓRICA 25X1.5 NBR / O'RING	MT280212025	2
21	ARANDELA AM 10X14X1.5 / WASHER	BT280422007	2
22	COJINETE BK1412 ARRANQUE TRIAL / KICKSTART BEARING	MT280226067	1
23	COJINETE 35X45X12 NQ (EJE PRIMARIO) / 35X45X12 BEARING	MT280236158	1
24	CÁRTER MG DERECHO TRIAL / RIGHT CRANKCASE	MT280310000RA	1
25	JUNTA TAPA EMBRAGUE / CLUTCH COVER GASKET	MT280244002	1
26	TAPA EMBRAGUE MG TRIAL / CLUTCH COVER	MT280532001RA	1
27	VISOR NIVEL ACEITE EC400-4T / OIL LEVEL SIGHT GLASS	MFS400110015	1
28	RETÉN 18-24-4 TRIAL 2002 / 18-24-4 4 KICKSTART SHAFT SEAL	MT280226016	1
29	ALLEN 5X25 DACROMET / 5X25 DACROMET ALLEN BOLT	T0305025	2
30	ALLEN 5X30 DACROMET / 5X30 DACROMET ALLEN BOLT	T0305030	2
31	ALLEN 5X40 DACROMET / 5X40 DACROMET ALLEN BOLT	T0305040	1
32	TAPÓN LLENADO ACEITE / OIL FILL PLUG	M01016002	1
33	ARANDELA 5X9X1.5 COBRE / 5X9X1.5 WASHER	T4000509	1

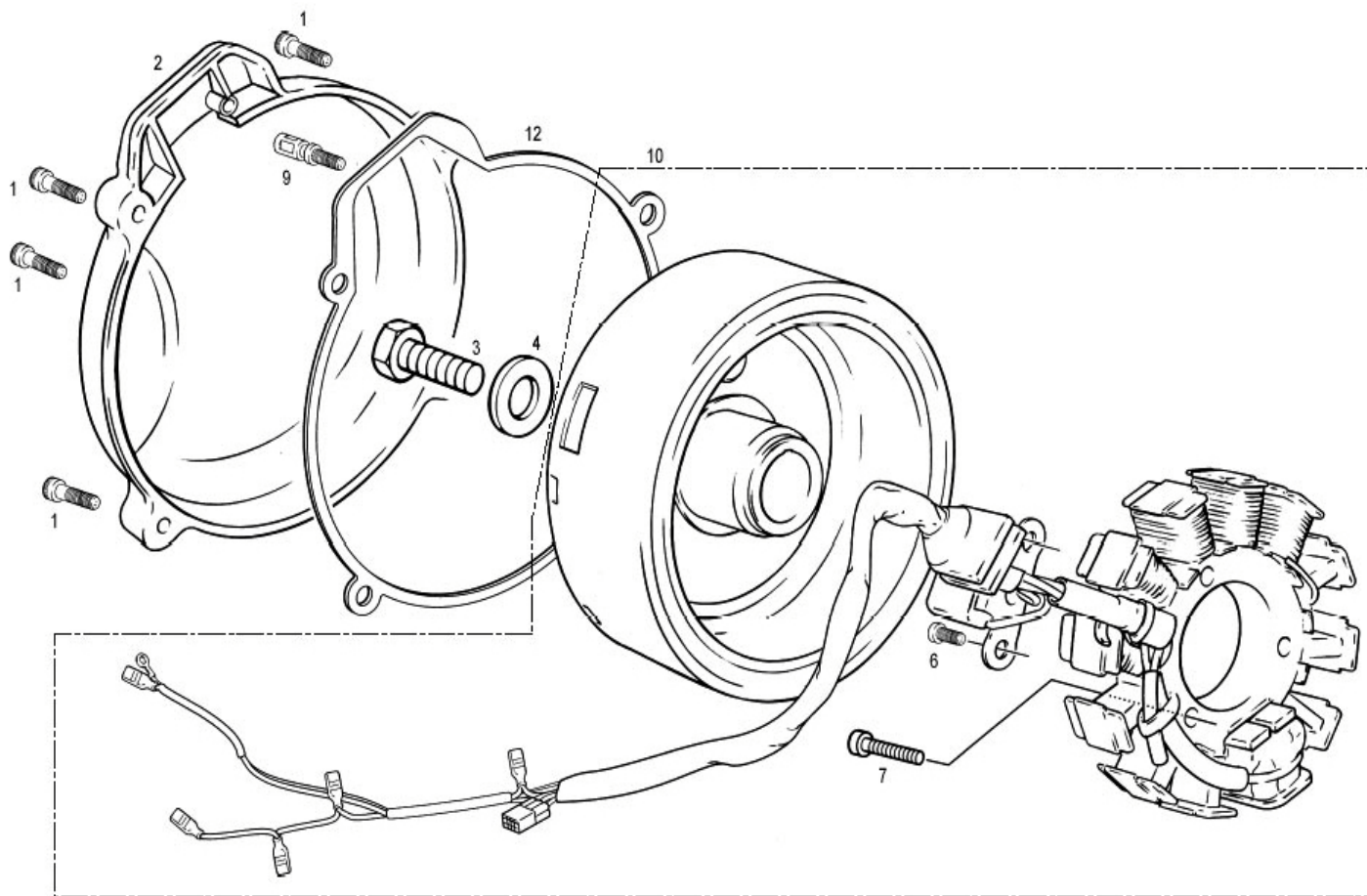
GAS GAS

Motor 3



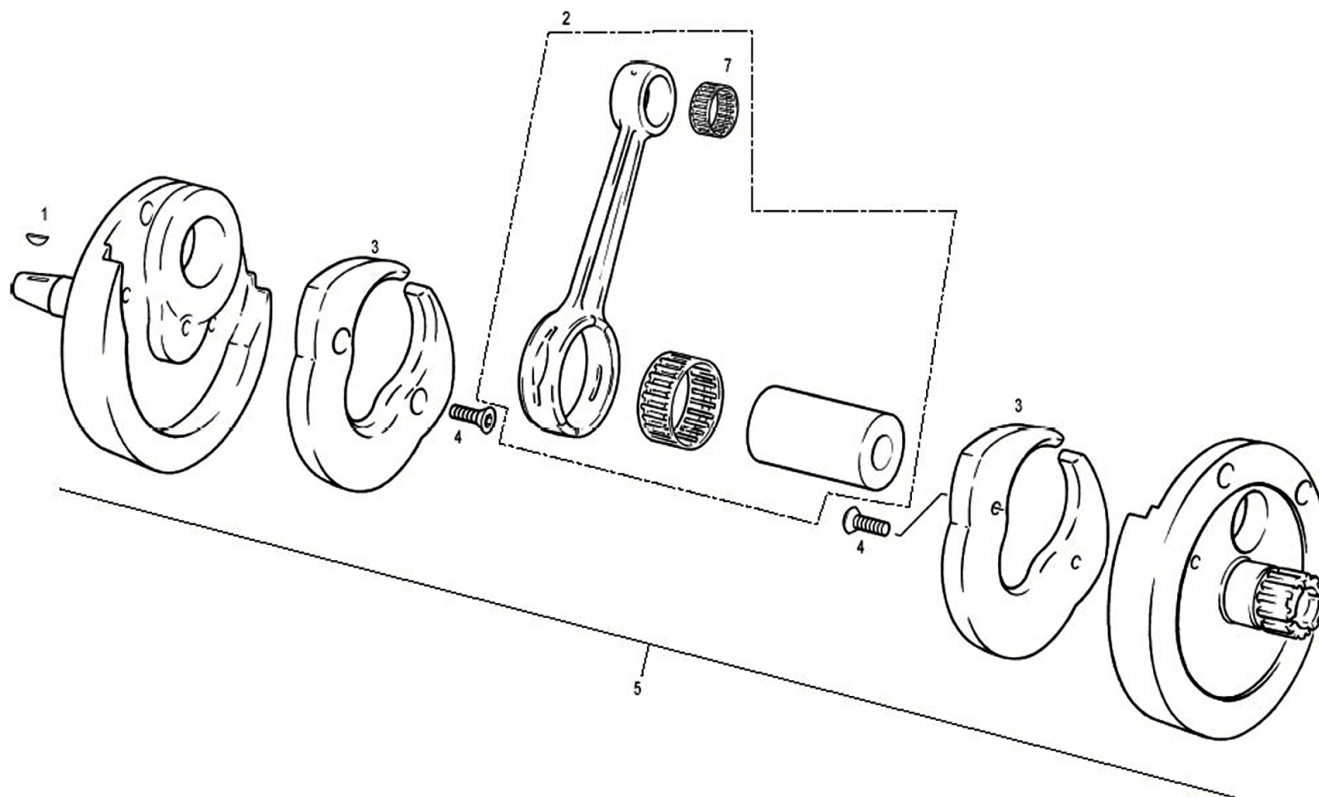


Nº	DESCRIPCION / DESCRIPTION	125/ 280 / 300	Cant.
1	PASADOR 3X22 EJE BOMBA / PUMP AXIS PIN	MT280218009	1
2	EJE BOMBA AGUA / AXLE TURBINE	MT280418006	1
3	TÓRICA 37X1.5 TAPA BOMBA AGUA / O'RING WATER PUMP COVER	MT280218008	1
4	RETÉN 10X35X7 DUO FKM / WATER PUMP SEAL	MT280210020	1
5	TURBINA BOMBA AGUA / WATER PUMP TURBINE	MT280218007	1
6	CIRCLIP 35 BOMBA AGUA / WATER PUMP CIRCLIP	MT280210019	1
7	ARANDELA TURBINA TRIAL / TURBINE WASHER	MT280218011	1
8	TAPA BOMBA AGUA / WATER PUMP COVER	MT280210008	1
9	ALLEN M5X40 DACROMET / M5X40 DACROMET ALLEN BOLT	T0305040	1
10	ARANDELA NYLON / NYLON WASHER	MT280218012	1
11	CASQUILLO BOMBA AGUA TRIAL 2002 / WATER PUMP BUSHING	MT280218002	1
12	ALLEN M5X35 DACROMET / M5X35 DACROMET ALLEN BOLT	T0305035	2
13	ABRAZADERA 20 / 20 CLAMP	L200035	1
14	ABRAZADERA COBRA 19 / 19 CLAMP	L200043	1
15	TUBO BOMBA – CILINDRO / PUMP TO CILINDER HOSE	BT280232017	1
16	CTO. TAPA BOMBA TRIAL PRO / COVER PUMP SET	MT280210008CT	1

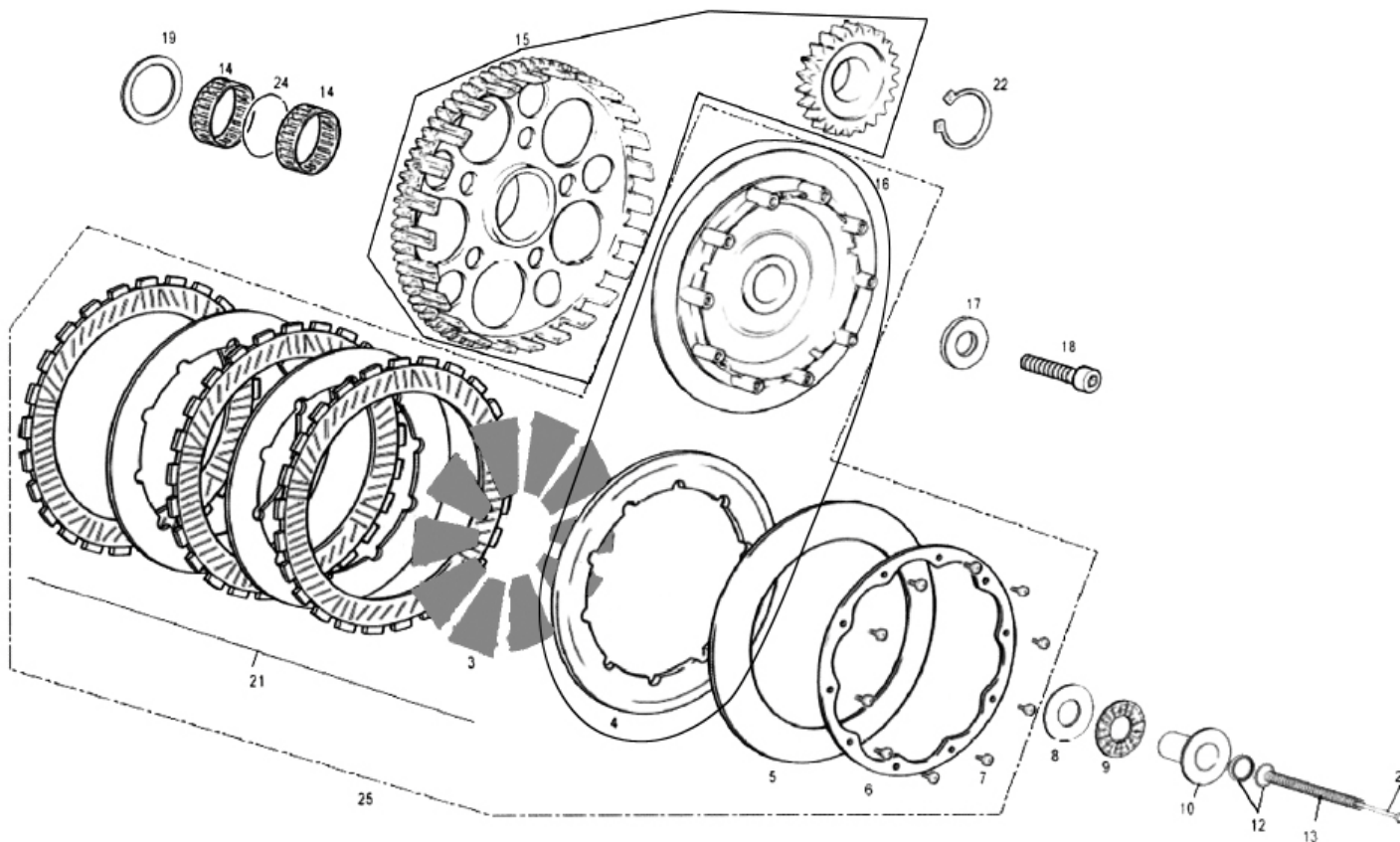


Nº	DESCRIPCION / DESCRIPTION	125	280 / 300	Cant.
1	ALLEN 5X20 / 5X20 ALLEN BOLT		T0305020N	5
2	TAPA ENCENDIDO TRIAL SXXI / COVER FLY-WHEEL		MT280710004	1
3	TORNILLO M10X25 / M10X25 SCREW		T0101025/2	1
4	ARANDELA GRUESA 10X23X4 / 10X23X4 WASHER		T4001024	1
7	ALLEN UFK NEGRO 5X25 / UFK 5X25 BLACK ALLEN BOLT		T0315025N	3
8	ADAPTADOR PICK / PICK ADAPTATOR	MT120234017		1
9	TORNILLO PICK UP TRIAL 2003 / PICK UP TRIAL 2003 SCREW		MT280334018	1
10	CTO. ENCENDIDO PRO 2005 / IGNITION SET		ET700002808	1
12	JUNTA TAPA VOLANTE ENCENDIDO / COVER FLY WHEEL GASKET		MT280344004	1





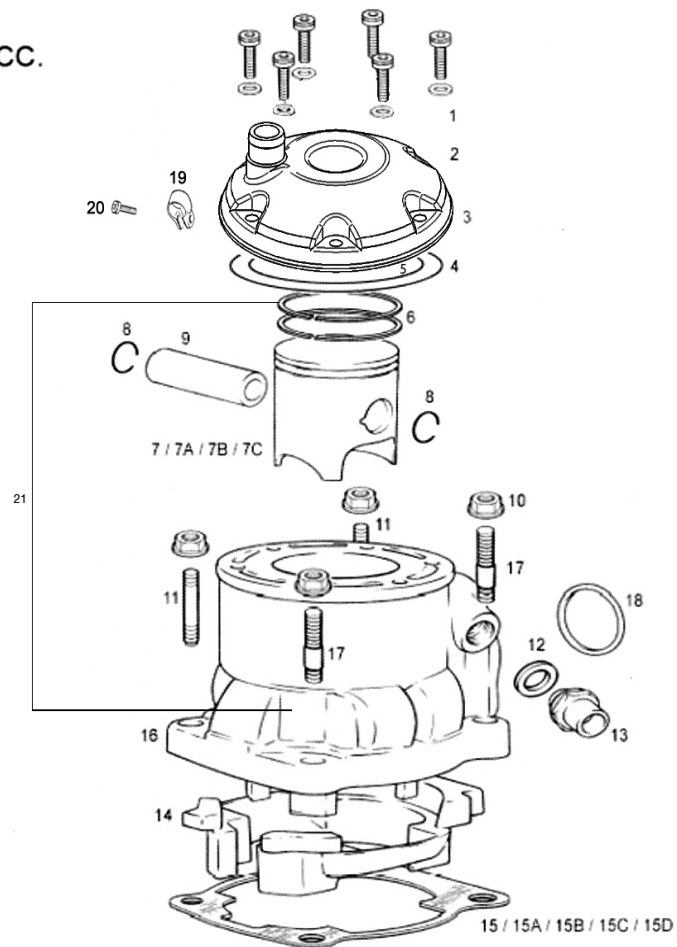
Nº	DESCRIPCION / DESCRIPTION	125 / 280 / 300	Cant.
1	CHAVETA D10X3X3.7 TRIAL 2002 / D10X3X3.7 KEY	MT280234016	1
2	CONJUNTO BIELA / CONNECTING ROD KIT, REPAIR	MT280212100	1
3	NYLON CONTRAPESO / CONTERWEIGHT NYLON	MT280212021	2
4	ALLEN CÓNICO UN15933 M6X16 / ALLEN BOLT	T0406016	4
5	CTO. CIGÜEÑAL TRIAL SXXI / CRANK SHAFT ASSEMBLY COMPLETE	MT280212000	1
7	COJINETE PIE DE BIELA / NEEDLES BEARING	ME25616035	1



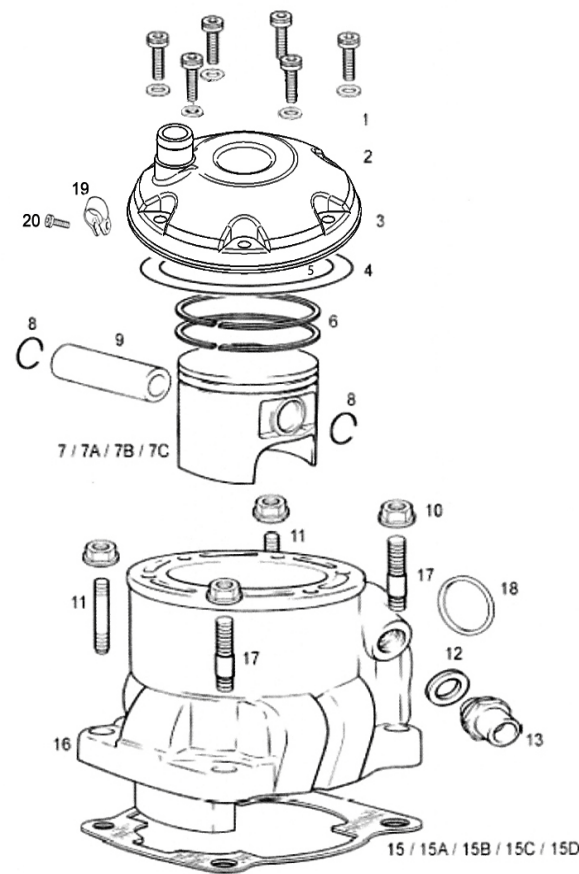
Nº	DESCRIPCION / DESCRIPTION	125/ 280 / 300	Cant.
3	DESMULTIPLICADOR EMBRAGUE TRIAL / CLUTCH RELEASE ARM	MT280632070	10
4	PRENSA EMBRAGUE TRIAL SXXI / PRESSURE PLATE	MT280632006	1
5	MUELLE EMBRAGUE TRIAL / CLUTCH SPRING	MT280632015	1
6	SOPORTE MUELLE EMBRAGUE / CLUTCH SPRING SUPPORT PLATE	MT120632045	1
7	ULS ESPECIAL PRENSA 4X10 / PRESSURE PLATE ULS BOLT	MT280332077	10
8	BOLET EMBRAGUE TRIAL 2003 / BEARING PLATE	MT280332014	1
9	COJINETE PRENSA EMBRAGUE AXK 17X30X2 / BEARING, CLUTCH END PLATE	MT280232043	1
10	PISTÓN BOMBIN EMBRAGUE TRIAL 2003 / CLUTCH PUMP PISTON	MT280332040	1
12	TÓRICA FKM / FKM O'RING	MT280432047	2
13	MUELLE PISTÓN EMBRAGUE TRIAL SXXI / CLUTCH PISTON SPRING	MT280332018	1
14	COJINETE G95 CORONA EMBRAGUE / CLUTCH BEARING	MT280432039	2
15	CTO. CORONA EMBRAGUE Y PIÑON TRIAL SXXI / OVERALL CROWN CLUTCH AND GEAR	MT280232003CT	1
16	CUBO EMBRAGUE SXXI / CLUTCH HUB	MT280632005CT	1
17	CASQUILLO SUJECIÓN EMBRAGUE / CLUTCH HUB BUSHING	MT280232080	1
18	ALLEN UFK 5X20 SUJECIÓN CUBO TRIAL 280 / CLUTCH HUB BOLT	MT280232081	1
19	ARANDELA 30.2X38X0.5 EMBRAGUE / CLUTCH WASHER	T4003038	1
21	CTO. DISCOS EMBRAGUE TRIAL 2004 / 2004 CLUTCH DISC SET COMPLETE	MT280432055	1
22	CIRCLIP E25 CIGÜEÑAL / CRANKSHAFT E25 CIRCLIP	MT280212023	1
23	GUÍA MUELLE PISTÓN / PISTON SPRING GUIDE	MT280432065	1
24	CIRCLIP CORONA EMBRAGUE / CLUTCH CIRCLIP	MT280432139	1
25	CTO. EMBRAGUE TRIAL PRO (HAMBURGUESA) / CLUTCH SET	MT280732069	1

GAS GAS **Motor 7**

125 cc.



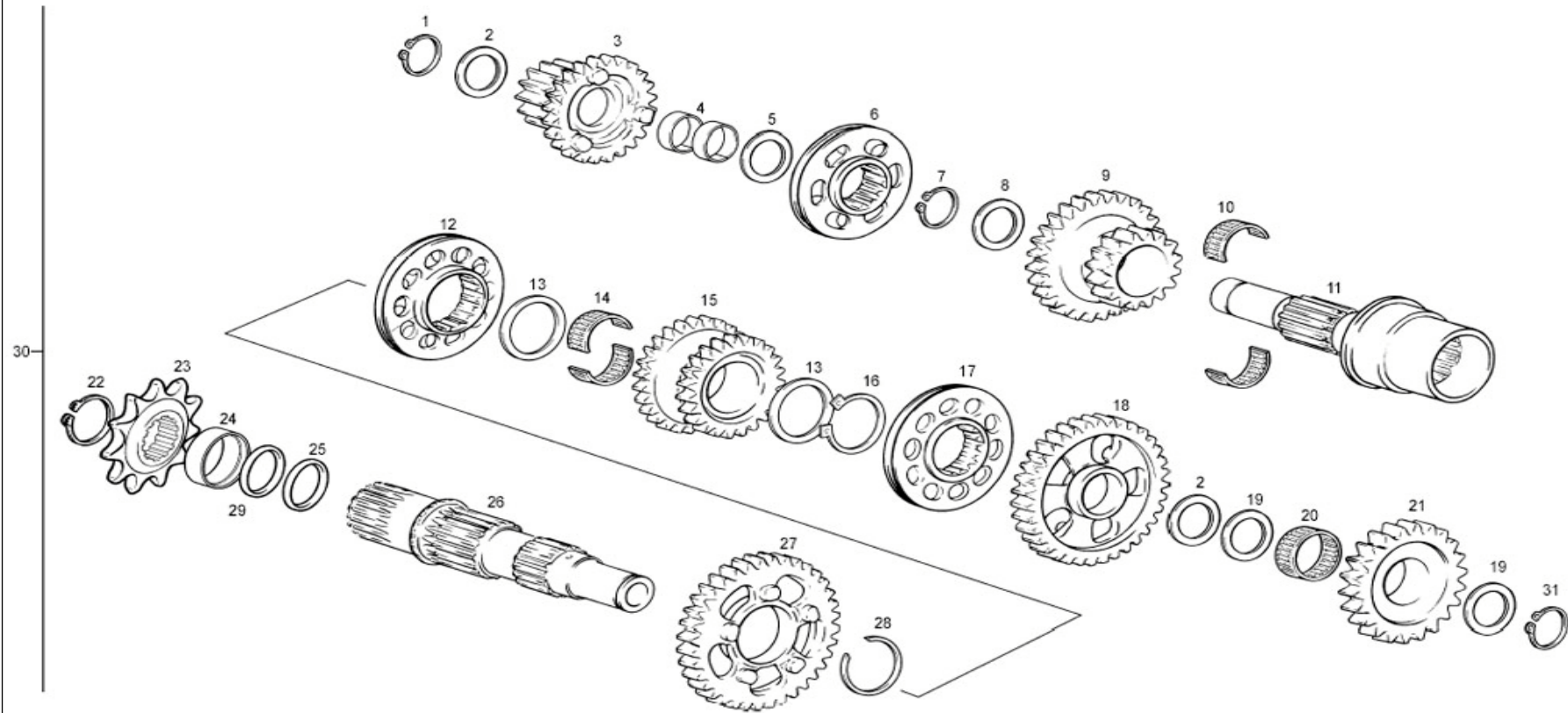
280 cc. / 300 cc.



Nº	DESCRIPCION / DESCRIPTION	125	280	300	Cant.
1	ALLEN 6X25 / 6X25 ALLEN BOLT	-	T0306025	-	6
2	ARANDELA COBRE 6X10X1.5 / 6X10X1.5 WASHER	-	T4006008	-	6
3	CULATA TRIAL 2003 / CYL. HEAD	MT750001210	MT750002810	MT750003010	1
4	TÓRICA CULATA EXTERIOR / O'RING CYL. EXTERIOR	ME120116060	M01619135	-	1
5	TÓRICA CULATA INTERIOR / O'RING CYL. INTERIOR	MT120210040	M01619215	MT300416065	1
6	AROS PISTÓN / PISTON RING	MT120216040	MT710012808	MT710203010	2
7	PISTÓN TRIAL SXXI / PISTON TRIAL	MY120216020	MT71000CT2808	MT710003010	1
7A	PISTÓN LETRA B / PISTON B	MT120210121	MT71001CT2808	MT710013010	1
7B	PISTÓN LETRA C / PISTON C	MT120210122	MT280216122	MT300316122	1
7C	PISTÓN LETRA D / PISTON D	MT120216123	MT280216123	-	1
8	CIRCLIP PISTÓN / CLIP PISTON	M01417052	MT280216126	MT280216126	2
9	BULÓN PISTÓN / PIN PISTON	MT120216125	MT280216125	MT280216125	1
10	TUERCA CILINDRO / CYLINDER NUT	-	M01613001	-	4
11	ESPÁRRAGO CILINDRO / STUD BOLT CYLINDER	-	MT280216023	-	2
12	ARANDELA PLANA FIBRA / FIBER WASHER	-	M01612026	-	1
13	RACORD CILINDRO / CYLINDER WATER HOSE NECK	-	MT280210013	-	1
14	ADAPTADOR CILINDRO / CYLINDER ADAPTER	MT120216087	-	-	1
15	JUNTA CILINDRO 0,8 mm. / 0,8 mm. GASKET CYLINDER BASE	-	MT280244000	-	1
15A	JUNTA CILINDRO 0,3 mm. / 0,3 mm GASKET CYLINDER BASE	-	MT280244009	-	1
15B	JUNTA CILINDRO 1 mm. / 1 mm. GASKET CYLINDER BASE	-	MT280244010	-	1
15C	JUNTA CILINDRO 0,5 mm. / 0,5 mm. GASKET CYLINDER BASE	MT120244000	-	-	1
15D	JUNTA CILINDRO 0,15 mm. / 0,15 mm. GASKET CYLINDER BASE	-	MT280244015	-	1
16	CILINDRO TRIAL / CYLINDER	MT70001209	MT70002809	MT70003009	1
17	ESPÁRRAGO CON CENTRAJE / STUD WITH CENTER	-	MT280216056	-	2
18	JUNTA ESCAPE / EXHAUST GASKET	-	MT280244012	-	1
19	GRAPA SUJECCION CABLES / WIRE SUPPORT	ET750502809	ET750502809	ET750502809	1
20	ALLEN 4X6 ZINCADO / M4X6 ALLEN	T0304006	T0304006	T0304006	1
21	CTO. CILINDRO Y PISTON / SET CYLINDER AND PISTON	MT70000CT1209	MT70000CT2809	MT70000CT3009	1

GAS GAS

Motor 8



Nº	DESCRIPCION / DESCRIPTION	125/ 280 / 300	Cant.
1	CIRCLIP E15 DIN471 / E15 CIRCLIP	MT280236163	2
2	ARANDELA 15,2X23X0,5 / 15,2X23X0,5 WASHER	T4001523	4
3	PIÑÓN 2 / PINION 2	MT280236071	1
4	DOLLA / BUSHING	MT280236164	2
5	ARANDELA 17X23X0,5 / 17X23X0,5 WASHER	T4001723	1
6	DESPLAZABLE PRIMARIO / PRIMARY SELECTOR DISC	MT280236073	1
7	CIRCLIP E20 DIN 471 REBAJADO / E20 CIRCLIP	MT280236165	1
8	ARANDELA 20X25X0,5 / 20X25X0,5 WASHER	T4002025	1
9	PIÑÓN 3 / PINION 3	MT280236072	1
10	JAULA AGUJAS / NEEDLE BEARING	MT280236162	2
11	EJE PRIMARIO / PRIMARY SHAFT	MT280236070	1
12	DESPLAZABLE 2 SECUNDARIO / SECONDARY SELECTOR DISC	MT280236080	1
13	ARANDELA 22X27X0,5 / 22X27X0,5 WASHER	T4002227	2
14	JAULA AGUJAS / NEEDLE BEARING	MT280236161	2
15	PIÑÓN 5 / PINION 5	MT280236078	1
16	CIRCLIP E22 DIN471 / E22 CIRCLIP	MT280236166	1
17	DESPLAZABLE 3 SECUNDARIO / SECONDARY SELECTOR DISC	MT280236079	1
18	PIÑÓN 3 SECUNDARIO / SECONDARY 3 GEAR	MT280236076	1
19	ARANDELA / WASHER	M02622001	2
20	JAULA AGUJAS / NEEDLE BEARING	MT280226015	1
21	PIÑÓN INTERMEDIO ARRANQUE / GEAR, IDLE KICKSTART	MT880002810	1
22	CIRCLIP E25 / E25 CIRCLIP	MT280212023	1
23	PIÑÓN CADENA SALIDA / SPROCKET, COUNTERSHAFT z.11	MT280236525	1
23B	PIÑÓN CADENA SALIDA / SPROCKET, COUNTERSHAFT z.09	MT120236526	1
23C	PIÑÓN CADENA SALIDA / SPROCKET, COUNTERSHAFT z.10	MT200236525	1
24	CASQUILLO RETÉN SALIDA CAMBIO / SHIFT SEAL BUSHING	MT280236046	1
25	TÓRICA 25X2 NBR / NBR 25X2 O'RING	ME25632025	1
26	EJE SECUNDARIO / SECONDARY SHAFT	MT280236075	1
27	PIÑÓN 2 SECUNDARIO / SECONDARY 2 GEAR	MT280236077	1
28	CIRCLIP SW25 / SW25 CIRCLIP	MT280236167	1
29	TÓRICA 25X1,5 NBR / 25X1,5 O'RING	MT280212025	1
30	CTO. CAMBIO TRIAL / TRANSMISSION COMPLETE	MT280236010	1
31	CLIP DE 15MM PIÑÓN INT. ARRANQUE / 15MM. CIRCLIP	M02633000	1

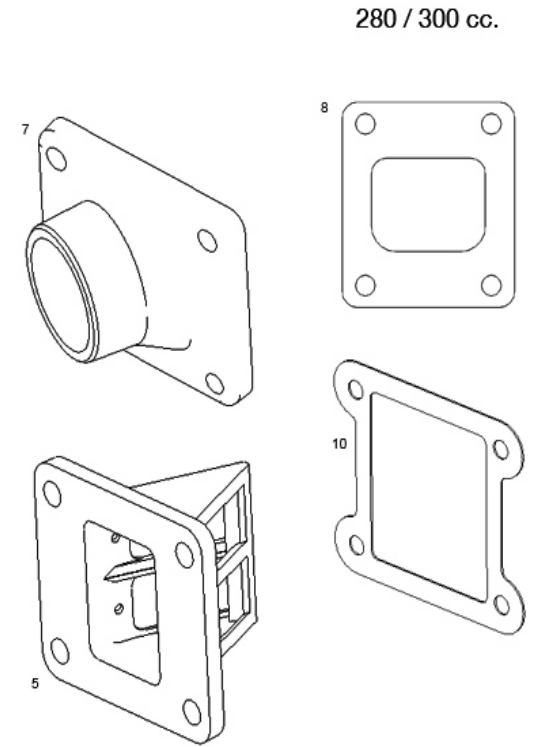
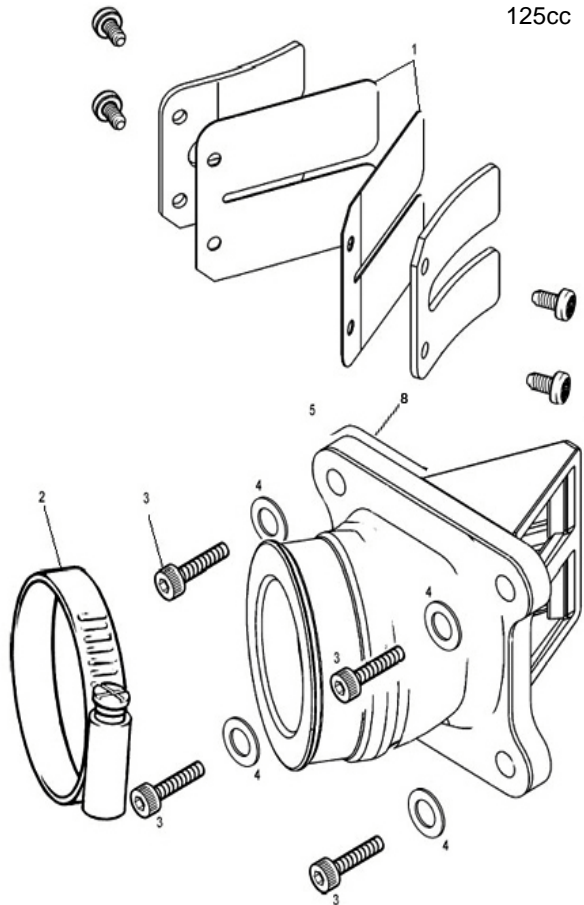
GAS GAS

Motor 9

**Caja laminas /
Reed valve**

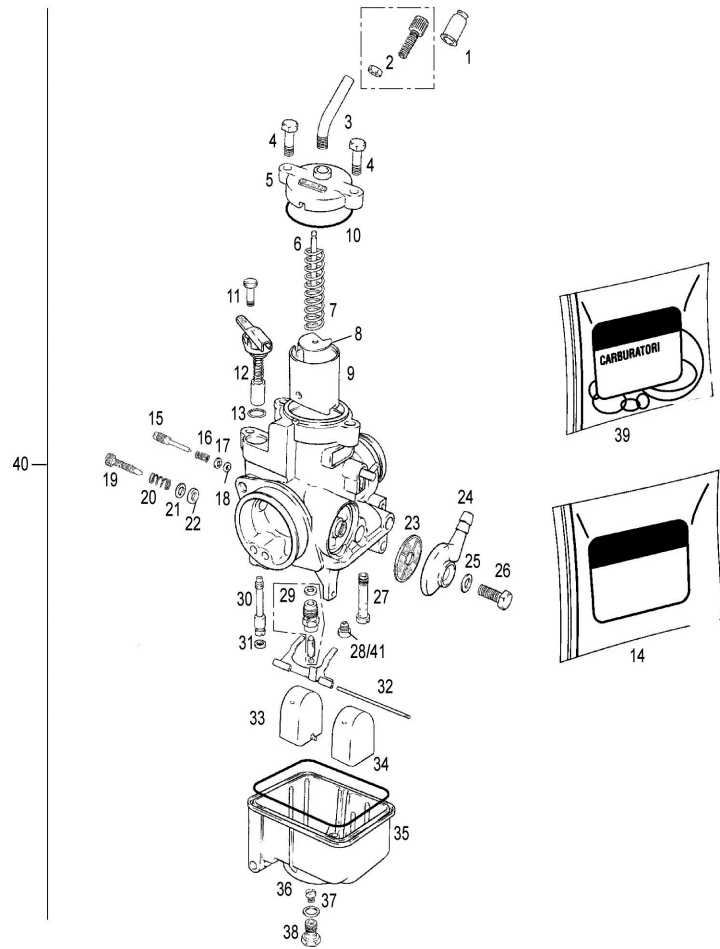
GAS GAS

TXT RACING 2011



Nº	DESCRIPCION / DESCRIPTION	125	280 / 300	Cant.
1	JUEGO LÁMINAS ADMISIÓN / REEDS SET	MT280416041	MT280416041	2
1A	LAMINA ADMISION KEIHIN / KEIHIN ADMISION REED		M01616000	1
2	ABRAZADERA 30-45-9W2 / CLAMP	B640005	B640005	1
3	ALLEN 5X15 DACROMET / 5X15 DACROMET ALLEN BOLT	T030515	T030515	4
4	ARANDELA 5X12X1,5 / 5X12X1,5 WASHER	T4005012	T4005012	4
5	CAJA LÁMINAS TRIAL / REED BLOCK ASSY	MT280416021	MT280416021	1
6	ADAPTADOR TUBERA (KEIHIN) / RUBBER ADAPTATOR (KEIHIN)		MT300616133	1
7	TUBERA ADM.TRIAL ALUMINIO (KEIHIN) / ALUMINIUM ADM.TRIAL RUBBER (KEIHIN)		MT300616131	1
8	JUNTA CAJA LÁMINAS-TUBERA (KEIHIN) / REED VALVE GASKET - RUBBER (KEIHIN)		MT300644105	1
9	CAJA LAMINAS (KEIHIN) / REED VALVE (KEIHIN)		M01617200	1
10	JUNTA TUBERA (KEIHIN)/ RUBBER GASKET (KEIHIN)		M04416003	1
11	JUNTA CAJA DE LAMINAS (KEIHIN) / REED VALVE GASKET (KEIHIN)		MT280244005	1

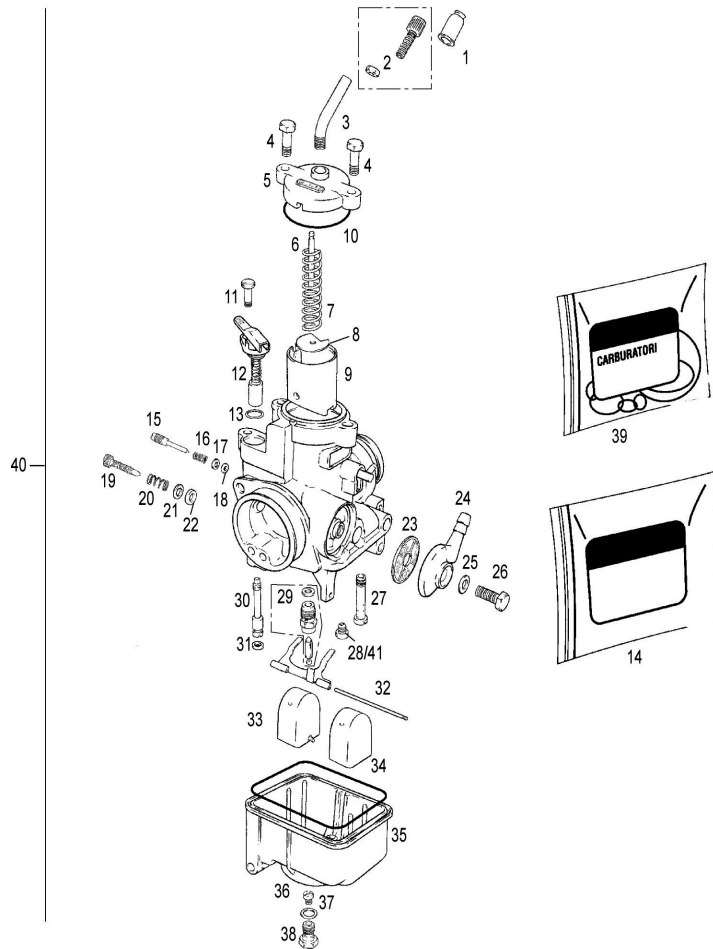
GAS GAS **Motor 10**



Nº	DESCRIPCION / DESCRIPTION	125/ 280 / 300	Cant.
1	CAPUCHÓN TENSOR CABLE GAS / ADJ. TENSION THROTTLE CABLE	M09001055	1
2	CTO. TENSOR CABLE / CABLE TENSION SET SCREW	M09001230	1
3	TENSOR CABLE GAS / CABLE TENSION TUBE	M09001032	1
4	TORNILLO TAPA CARBURADOR / SCREW COVER CARBURETOR	M09001025	2
5	TAPA CARBURADOR / COVER CARBURETOR	M09001156	1
6	AGUJA D36 3º PUNTO / NEEDLE D36	M09003136	1
7	MUELLE COMPUERTA / SPRING SLIDE	M09001015	1
8	PLANCHA SUJECIÓN CABLE GAS / CABLE RETAINER PLATE	M09001010	1
9	COMPUERTA / VALVE SLIDE	M09002060	1
10	TÓRICA TAPA CARBURADOR / O	M09001050	1
11	TORNILLO SUJ. STARTER / CHOKE SCREW	M09001110	1
12	MANDO STARTER / CHOKE LEVER ASSY.	M09001105	1
13	TÓRICAS STARTER / CHOKE O-RING	M09001065	1
14	KIT CARBURACIÓN / CARBURETOR KIT	MT280690100	1
15	TORNILLO REG. ENTRADA AIRE / REG. ENTRANCE SCREW	M09001115	1
16	MUELLE TORNILLO REG. AIRE / SPRING SCREW REG. AIR	M09001120	1
17	ARANDELA TORN. REG. AIRE / WASHER SCREW BOLT REG. AIR	M09001125	1
18	TÓRICA TORNILLO REG. AIRE / O-RING SCREW BOLT REG. AIR	M09001075	1
19	TORNILLO REG. COMPUERTA / SCREW BOLT REG. SLIDE	M09001035	1
20	MUELLE TORNILLO REG. COMPUERTA / SPRING SCREW SLIDE	M09001040	1
21	ARANDELA TORNILLO REG. COMP. / WASHER SCREW REG. SLIDE	M09001045	1
22	TÓRICA TORNILLO REG. COMP. / O-RING SCREW REG. SLIDE VALVE	M09001060	1
23	JUNTA PIPETA GASOLINA / FUEL FILTER DISC	M09001095	1
24	PIPETA ENTRADA GASOLINA / FUEL ENTRY TUBE	M09001135	1
25	JUNTA TORNILLO PIPETA / GASKET SCREW BOLT	M09001100	1
26	TORNILLO PIPETA / BOLT	M09001140	1
27	EMULSOR / NEEDLE JET	M09005271	1
28	CHICLE RALENTÍ 30 / JET SLOW 30	M09004035	1
29	VÁLVULA FLOTADOR / FLOAT VALVE	M09001200	1
30	CHICLE STARTER 60 / JET CHOKE 60	M09007060	1
31	TÓRICA CHICLE STARTER / O-RING JET CHOKE	M09001070	1
32	EJE FLOTADOR / FLOAT SHAFT	M09001145	1
33	FLOTADOR 2X2 / FLOAT 2X2	M09008036	2

GAS GAS

Motor 11



Nº	DESCRIPCION / DESCRIPTION	125/ 280 / 300	Cant.
34	TÓRICA CUBETA GASOLINA / O'RING FUEL BOWL	M09001085	1
35	CUBETA GASOLINA / FUEL BOWL	M09001150	1
36	CHICLE PRINCIPAL / MAIN JET	M09006118	1
37	TÓRICA TAPÓN CUBETA / O'RING	M09001090	1
38	TAPÓN CUBETA GASOLINA / FUEL BOWL BOLT	M09001155	1
39	KIT JUNTAS CARBURADOR / GASKET CARBURETOR KIT	M09001101	1
40	CARBURADOR PHBL 26 BS / PHBL CARBURETOR COMPLETE	MT280290000	1
41	CHICLE DE BAJA 42 (116.20.42.02) / JET SLOW 42 (116.20.42.02)	-	
40A	CARB. KEIHIN PWK28 / CARBURATOR KEIHIN PWK28	MT280390000RA	1

GAS GAS **Motor 11**