



***GASGAS***  
**2012**

***TXT RAGA 2012***

**250 - 280 -300**

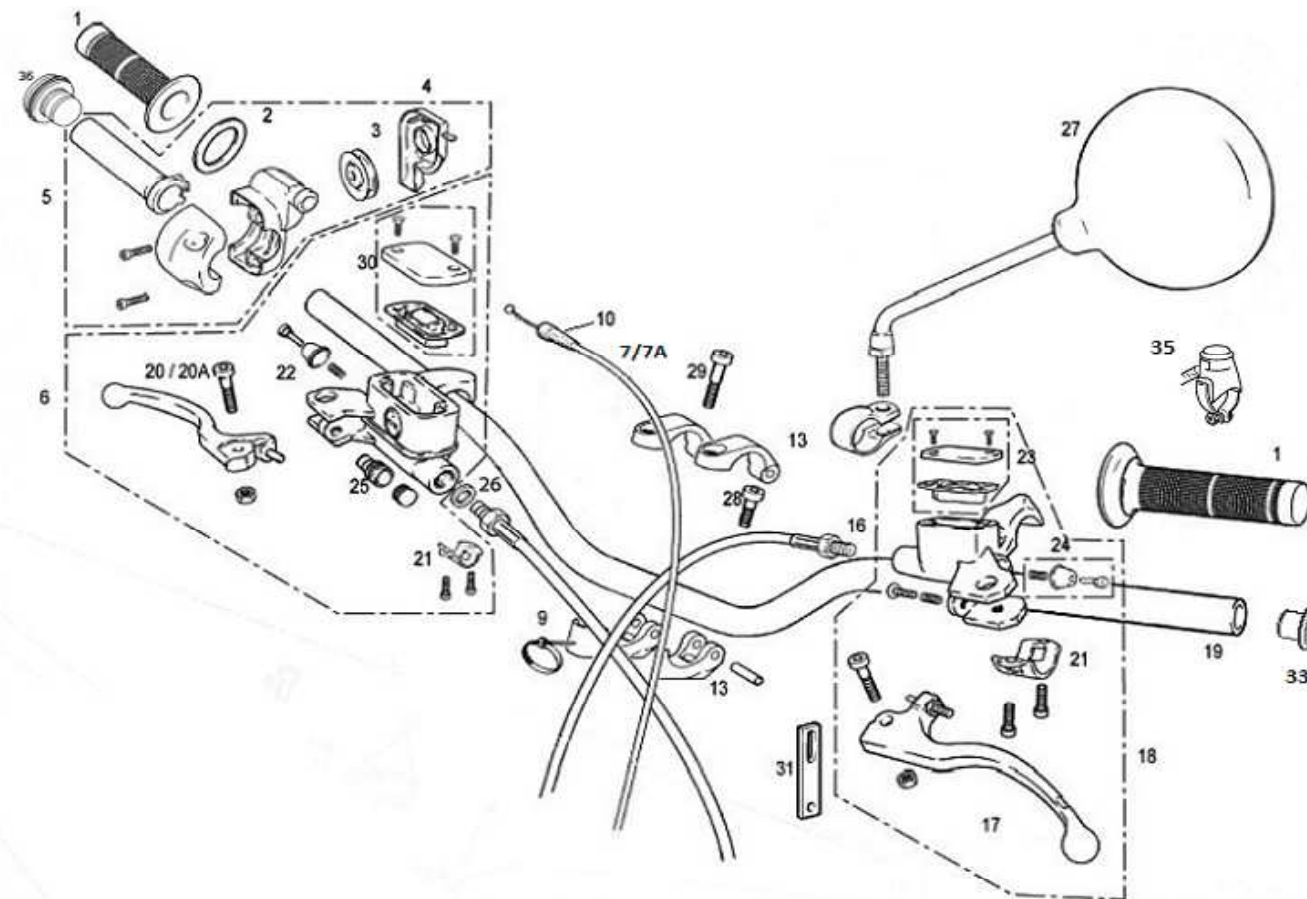
**DESPIECE / / PART LIST**



*TECHNOLOGY  
&  
MOTION*

***GASGAS***

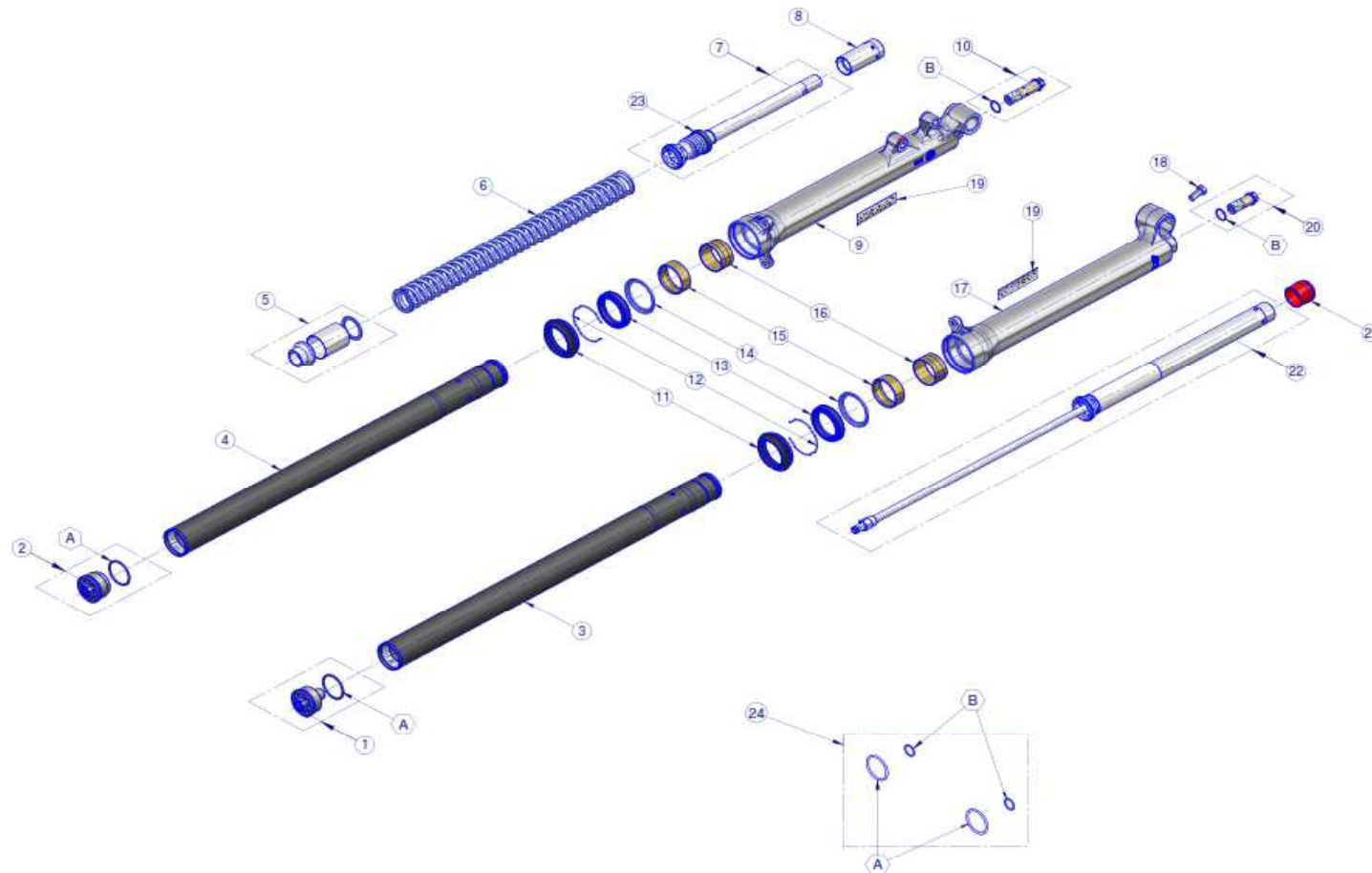
***MAYO | MAY | MAGGIO | MAI 2012***



Nº	DESCRIPCION / DESCRIPTION	250 / 280 / 300	Cant.
1	JUEGO EMPUÑADURAS TRIAL / HANDLEBAR GRIP (PAIR)	BT26100RA3010	1
2	ARANDELA MANDO GAS / TWIST GRIP WASHER	BT27922078	1
3	RODILLO MANDO GAS / TWIST GRIP ROLLER	E119000	1
4	TAPA MANDO GAS / TWIST GRIP COVER	E140000	1
5	PUÑO MANDO GAS / CPT. TWIST GRIP	E100001	1
6	BOMBA FRENO DELANTERO / FRONT BRAKE PUMP	BT61000R3009	1
7	CABLE DE GAS HOMOLOGADO / THROTTLE CABLE	BT27924008	1
7A	CABLE DE GAS RACING (KEIHIN) / THROTRTLE CABLE KEIHIN	E160003	
9	BRIDA UNEX 4.8X20 / UNEX 4.8X20 CLAMP	BE25634009	1
10	GUARDAPOLVO PUÑO GAS / THROTTLE CABLE DUST COVER	G600000	1
13	CTO. BRIDA MANILLAR RAGA 2012/ HANDLEBAR CLAMP ASSY	BT25000073012CT	1
16	LATIGUILLO EMBRAGUE TRIAL / CLUTCH TUBE	BT280522003	1
17	MANETA EMBRAGUE RACING / CLUTCH LEVER R	BT46300R3009	1
18	BOMBA EMBRAGUE ACEITE / CLUTCH PUMP	BT46000R3009	1
19	MANILLAR CON PROTECCION /PROTECTION AND HANDLEBAR ASSY.	BT25000RA3010	1
20	MANETA FRENO AJP 93 PLATA LARGA / BRAKE LEVER TRIAL	BT61300R3009	1
21	SOPORTE BOMBA EMBRAGUE / CLUTCH PUMP SUPPORT	BE250022211	2
22	KIT BOMBA FRENO / BRAKE PUMP SET	BT27722208	1
23	KIT TAPA BOMBA / COVER PUMP SET	BT280422210	1
24	KIT BOMBA EMBRAGUE / CLUTCH PUMP SET	BT460102811	1
25	CASQUILLO PULSADOR FRENO DELANTERO / PUSH BUTTON BUSHING	BT27922079	1
26	ARANDELA COBRE 10X14X1 / 10X14X1 WASHER	BT280422007	1
27	ESPEJO RETROVISOR / REAR VIEW MIRROR	L300760	2
28	TORNILLO UFK 8X20 / 8X20 UFK SCREW	T0318020	2
29	TORNILLO UFK 8X50 / 8X50 UFK SCREW	T0318050	2
30	TAPA BOMBA FRENO / KIT COVER PUMP	BT27722210	1
31	GOMA SUJECIÓN CABLEADOS / WIRE SUBJET RUBBER	BFS450320067	1
32	INTERRUPTOR CDI / CDI SWITCH	BT280634007	1
33	TAPON MANILLAR MOSS (12089)	BT255953012	1
35	PULSADOR PARO TRIAL PRO RACING 08 / TRIAL PRO RACING 08 STOP SWITCH	BC250334055	1
36	RODAMIENTO MANDO GAS	BT26010R3010	1

**GASGAS**

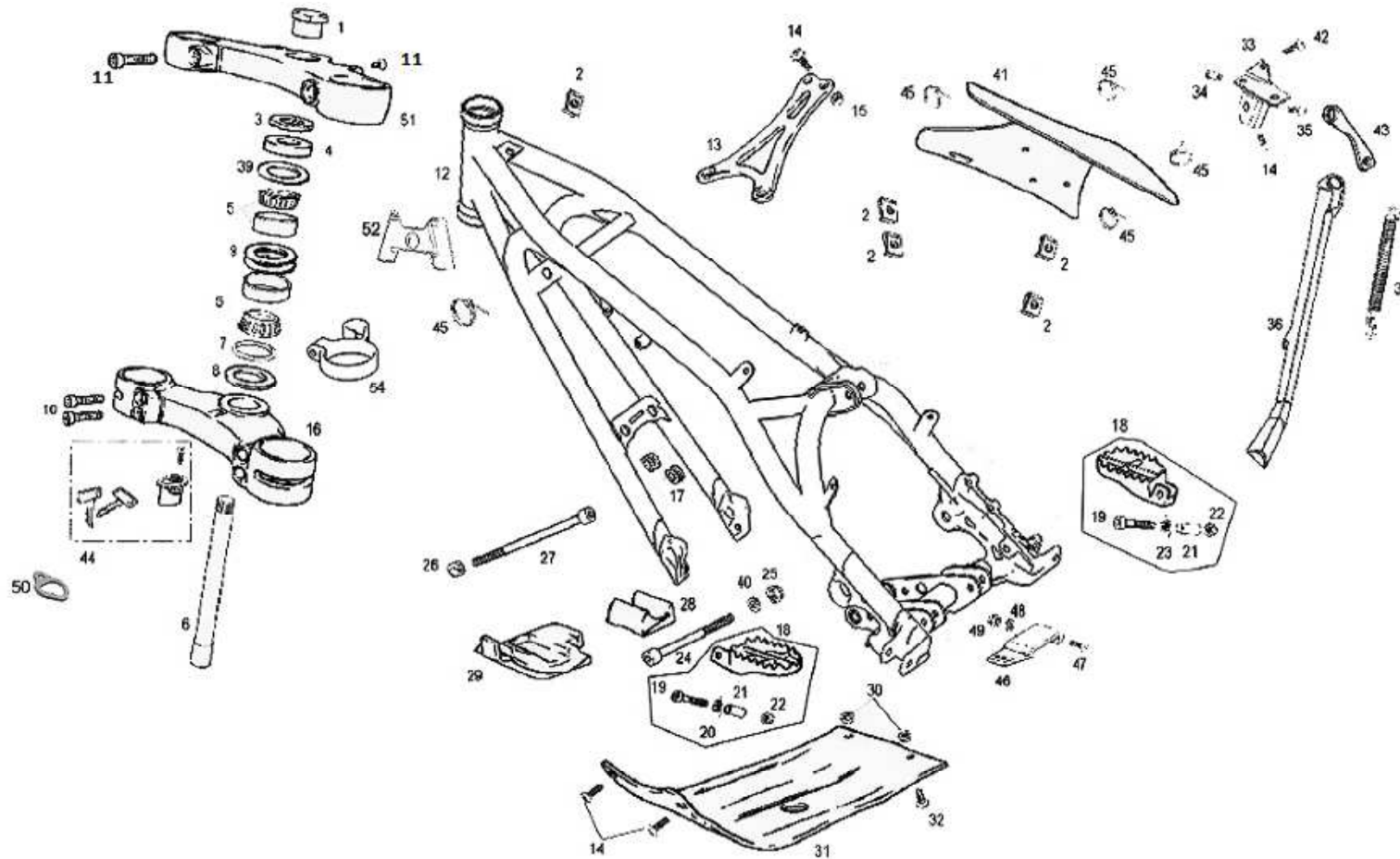
**Chasis 1**



Nº	DESCRIPCION / DESCRIPTION	250 / 280 / 300	Cant.
1	CTO. TAPON REGULACION EXTENSION	BT201203012	1
2	CTO.TAPON REGULACION COMPRESION	BT201253012	1
3	BARRASUSPENSION DERCHO	BT201103012	1
4	BARRA SUSPENSION IZQUIERDA	BT201053012	1
5	CTO. PRECARGA	BT201653012	1
6	MUELLE SUSPENSION	BT201703012	1
7	GRUPO BOMBA	BT201803012	1
8	CONO LIMITADOR IZQUIERDO	BT201603012	1
9	BOTELLA SUSPENSION IZQUIERDA	BT201053012	1
10	TORNILLO REGULACION	BT201763012	1
11	GUARDAPOLVO SUSPENSION	BT201303012	1
12	SEEGER SUSPENSION	BT201353012	1
13	RETEN SUSPENSION	BT201403012	1
14	ANILLO SELLO ACEITE	BT201453012	1
15	GLACIER SUSPENSION	BT201503012	1
16	GLACIER BOTELLA SUSPENSION	BT201513012	1
17	BOTELLA SUSPENSION DERECHA	BT201003012	1
18	ALLEN 8X18 DIN 7984	BT201853012	1
19	ADH. BARRA SUSPENSION	BT950103012	1
20	TORNILLO REGULACION	BT201753012	1
21	CONO LIMITADOR DERECHO	BT201553012	1
22	CTO. BASTAGO COMPRESION	BT201903012	1
23	ANILLO TOPE MUELLE	BT201953012	1
24	KIT ARANDELAS	BT201863012	1
25	CTO.SUSPENSION DELANTERA (TECH) TRIAL RAGA 2012	BT20000033012	1

**GASGAS**

**Chasis 2**

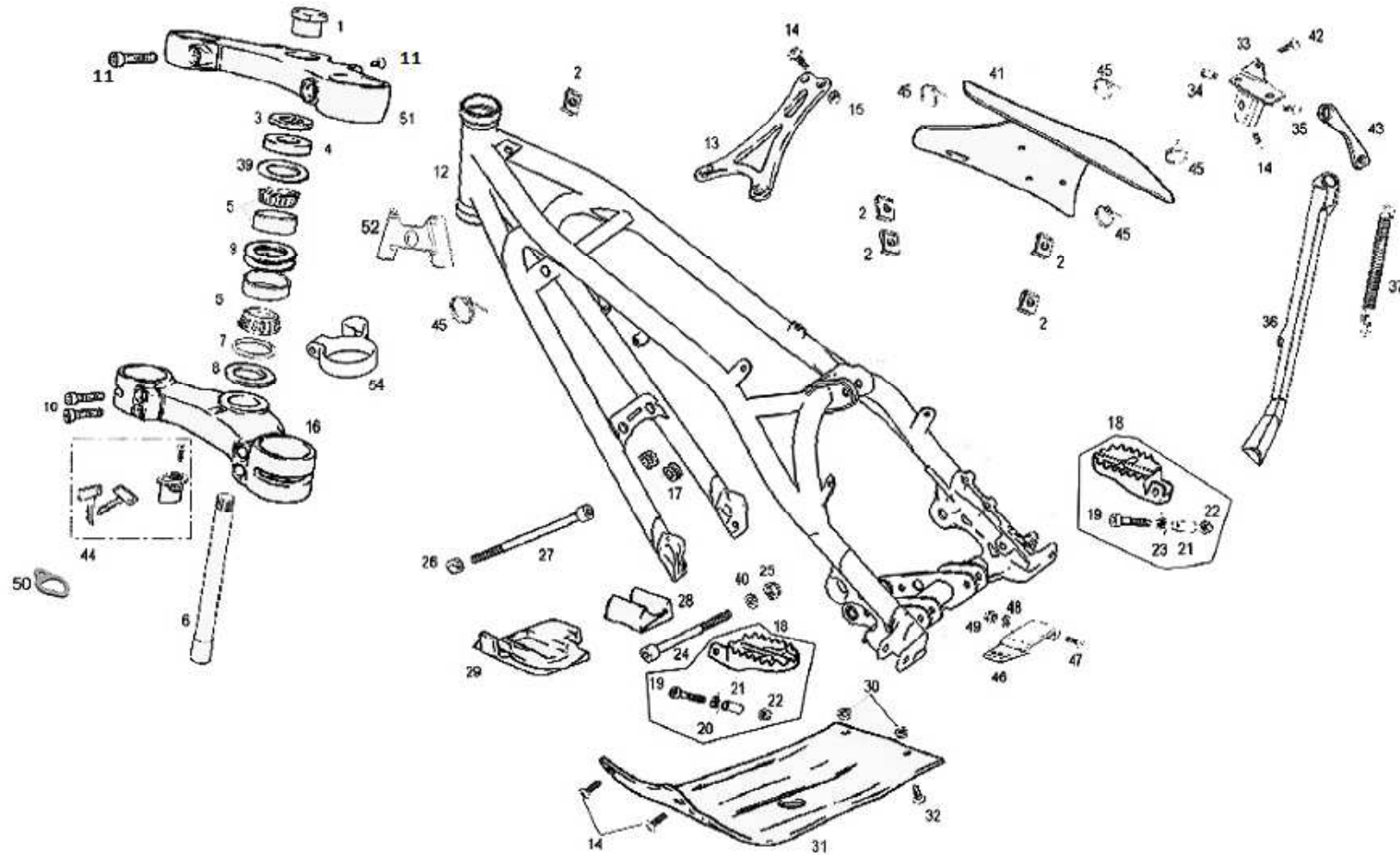


Nº	DESCRIPCION / DESCRIPTION	250 / 280 / 300	Cant.
1	TUERCA SUPERIOR DIRECCIÓN TRIAL / NUT TOP STEERING AXLE	BT280210030	1
2	TUERCA NUT 956 RAPIDA M6 / M6 FAST NUT	T2606000	5
3	TUERCA INFERIOR DIRECCIÓN TRIAL / NUT UNDER TOP CLAMP	BT280410029	1
4	GUARDAPOLVO COJINETES DIRECCIÓN / BEARING STEERING, DUST COVER	BEP250210026	1
5	COJINETE DIRECCIÓN URBXA 32004 / BEARING STEERING	BT280210008	2
6	EJE DIRECCIÓN TRIAL 2002 / AXLE STEERING	BT280214003	1
7	TÓRICA DIRECCIÓN 37X2,5 ENDUPAMP 250 / O-RING STEERING	BEP250210012	1
8	ARANDELA REGLAJE BLANCA / WHITE WASHER	BT280210026	1
9	ARANDELA 36X42X0.5 / 36X42X0.5 WASHER	T4003642	2
10	TORNILLOS BRIDA INFERIOR / LOWER CLAMP SCREW S	T0206025	4
11	TORNILLOS BRIDA SUPERIOR / UPPER CLAMP SCREW S	T0206020	3
12	CHASIS TRIAL / TRIAL FRAME	BT10000013011	1
13	TIRANTE CILINDRO ROJO RAGA 2012	BT10000033012	1
14	ULS 8X20 / 8X20 ULS	T0508020	7
15	TUERCA AUTOBLOCANTE M-8 ALTA / SELF-LOCKING NUT M8 HIGH	T2108002	4
16	BRIDA SUSPENSION INFERIOR TRIAL 2012	BT20000053012	1
17	GOMAS RADIADOR A CHASIS / RADIATOR PROTECTOR RUBBER	G220000	3
18	CTO. ESTRIBOS TXT PRO / JOINT STIRRUPS	BT14000RCT3009	1
19	PASADOR ESTRIBERA / SCREW	T0508045	2
20	MUELLE ESTRIBO IZQUIERDO / SPRING FOOTSTEP (LEFT)	M100004	1
21	CASQUILLO ESTRIBO TRIAL-99 / BUSH FOOTSTEP	BT27910006	2
22	TUERCA AUTOBLOCANTE M-8 BAJA (DIN 982) / NUT NYLOCK LOW	T2108001	2
23	MUELLE ESTRIBO DERECHO / SPRING FOOTSTEP, RIGHT	M100003	1
24	ALLEN 10x85 / 10X85 ALLEN BOLT	T0301085	1
25	TUERCA AUTOBLOCANTE M10 BAJA / SPECIAL M10 NUT	T2110001	1
26	TUERCA ESPECIAL M10 / SPECIAL M10 NUT	BT280210069	1
27	ALLEN M10X140 ZINCADO 12.9 / SCREW, BOLT ALLEN M10X140	T0310140	1
28	GOMA PROTECTOR TRASERO MOTOR / REAR ENGINE PROT. RUBBER	BT280336029	1
29	GOMA PROTECTOR DELANTERO MOTOR / FRONT ENGINE PROT. RUBBER	BT280236030	1
30	CASQUILLO PROTECTOR CÁRTER / CHASIS TRIAL / BUSHING	BT280310883	2
31	PLACA PROTECTOR CARTER RACING 2012	BT10000013012	1
32	ULS 8X16 / ULS 8X16	T0508016	2
33	SOPORTE CABALLETE TRIAL 2000 / SIDE STAND BRACKET SUPPORT	BT280712023	1

**GASGAS**

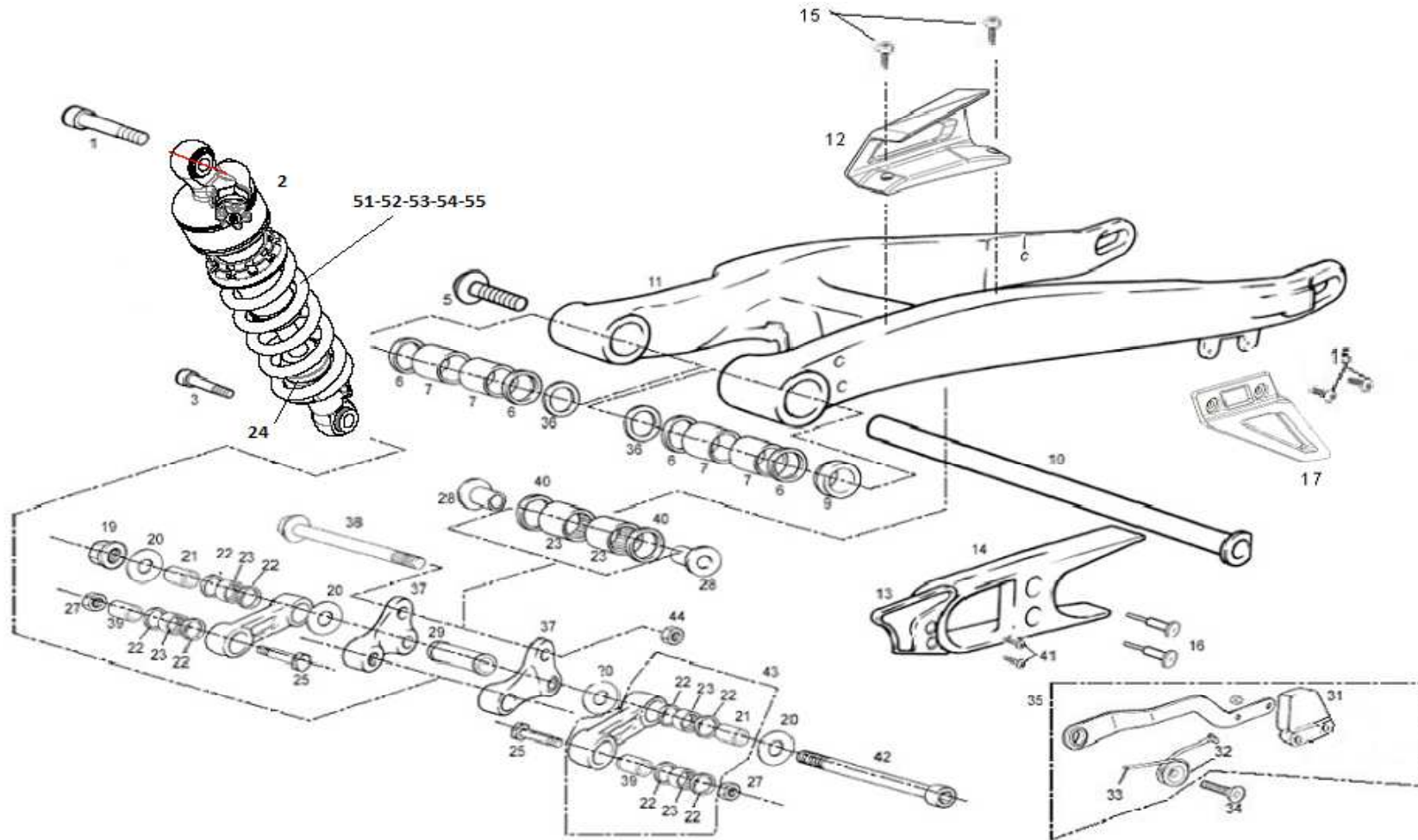
**Chasis 3**





Nº	DESCRIPCION / DESCRIPTION	250 / 280 / 300	Cant.
34	CASQUILLO GUÍA CABALLETE TRIAL / BUSH, PIVOT SIDE STAND	BT27712011	1
35	ALLEN 8X14 / 8X14 ALLEN BOLT	T0308014	1
36	CABALLETE TRIAL 99 / SIDE STAND BRACKET	BT280712010	1
37	MUELLE CABALLETE / SIDE STAND SPRING	BT280310039H	1
39	ARANDELA 22.4X36X0.7 REGLAJE / REGULATE WASHER	T4022036	1
40	ARANDELA GLOBER 10X15 / GLOBER WASHER	T4001015	1
41	GOMA PROTECCIÓN CAJA-CHASIS CORTA TRIAL PRO / SHORT PROTECT RUBBER	BT280236033	1
42	HEXAGONAL 6X16 / 6X16 HEXAGONAL BOLT	T0106016	1
43	EXCÉNTRICA CABALLETE TRIAL HOMO. / ADJUSTER	BT280312025H	1
44	CTO. BLOQUEO CLAUSOR / LOCKING CLAUSOR SET	BT280210075	1
45	BRIDA UNEX 2244 4.8X20 / 4.8X20 BLACK CLAMP	BE25634009	3
46	PROTECTOR CADENA A CHASIS / CHAIN PROTECTOR	BT280212026	1
47	TORNILLO ULS 6X25 / ULS 6X25	T0506025	1
48	ARANDELA PLANA 6.5X16X1.5 / WASHER 6.5X16X1.5	T4006016	1
49	TUERCA AUTOBLOCANTE DIN-6926 M6 CON ARANDELA ZN / NUT NYLOCK	T2206002	1
50	PLATINA TAPA CLAUSOR / CLAMP COVER	BT280210077/1	1
51	BRIDA SUPERIOR SUSPENSION D39 RAGA 2012	BT20000043012	1
52	TOPE DIRECCION CHASIS / GEAR PROTECTION RUBBER	BT170002809	1
54	GUIA LATIGUILLO FRENO DELANTERO / BREAK HOSE GUIDE	BT21600RA3010	1

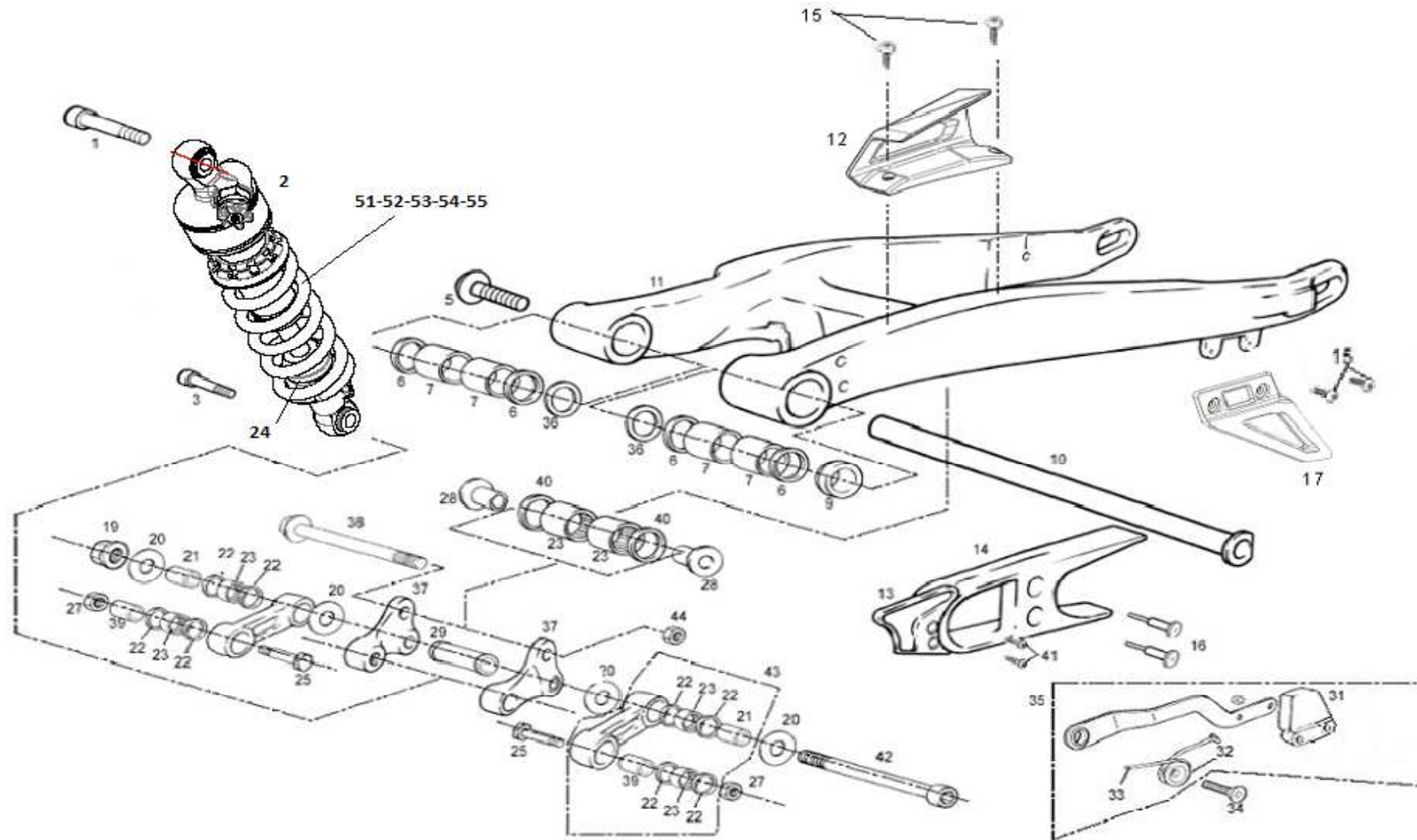




Nº	DESCRIPCION / DESCRIPTION	250 / 280 / 300	Cant.
1	ALLEN 10X63 / 10X63ALLEN SCREW	BT35000013011	1
2	AMORTIGUADOR TRIAL 3 VIAS RAGA 2012(320.1.01.11.M)	BT30000073012	1
3	TORNILLO ESPECIAL / SPECIAL SCREW	T0310046	1
5	TORNILLO EJE BASCULANTE TRIAL / SWING-ARM AXLE SCREW	BT280212009	1
6	RETÉN 20-26-4 870 N BASCULANTE / 20-26-4 OIL SEAL	C220001	4
7	COJINETE / BEARING	BT280212032	4
9	CASQUILLO GUÍA EJE BASCULANTE / SWING-ARM AXLE BUSHING	BT280212108	1
10	EJE BASCULANTE TRIAL / SWING-ARM AXLE	BT44500R3009	1
11	BASCULANTE TRIAL / TRIAL 2002 SWING-ARM	BT40000013011	1
12	CUBRECADENAS / CHAIN COVER	BT42040RA3011	1
13	PROTECTOR PIÑÓN TRIAL 2002 / PINION PROTECTOR	BT280236021	1
14	PATÍN CADENA / CHAIN GUIDE	BT42040RA3011	1
15	ULS 5X12 / 5X12 ULS	T0505012	4
16	REMACHE CABOTA GRANDE 14X4 8X21 PATÍN / RIVET	T4505016	2
17	PROTECTOR CORONA TRIAL / SPROCKET PROTECTOR	BT57350RA3011	1
19	TUERCA AUTOBLOCANTE / SELF-LOCKING NUT	T2110001	1
20	ARANDELA REGLAJE 10.5X26X0.5 / 10.5X26X0.5 WASHER	T4001026	4
21	CASQUILLO SUSPENSIÓN DIAM. 10 / SUSPENSION BUSHING	BT27712005	2
22	RETÉN 15X21X2 / 15X21X2 OIL SEAL	C230001	8
23	COJINETE AGUJAS 15BM2116 / NEEDLE BEARING	BT27714009	6
24	TOPE AMORTIGUADOR / SHOCK ABSORVER END OF TRAVEL	BT311002809	1
25	TORNILLO ESPECIAL BIELETA 8X38 / 8X38 SPECIAL SCREW	T0118038	2
27	TUERCA AUTOBLOCANTE M8 ALTA / SELF-LOCKING NUT	T2108002	2
28	CASQUILLO BALANCÍN 99 / ARTICULATION BUSHING	BT27914014	2
29	CASQUILLO DISTANCIADOR BALANCÍN / ARTICULATION SPACER BUSHING	BT27914016	1
31	GOMA TENSOR CADENA / TENSIONER CHAIN RUBBER	BT42010RA3010	1
32	CASQUILLO TENSOR CADENA / CHAIN TENSIONER BUSHING	B560000	1
33	MUELLE TENSOR CADENA / CHAIN TENSIONER SPRING	M122000	1
34	ALLEN CONICO 8X30 TENSOR CADENA / 8X30 CONIC ALLEN	T0408030	1

**GASGAS**

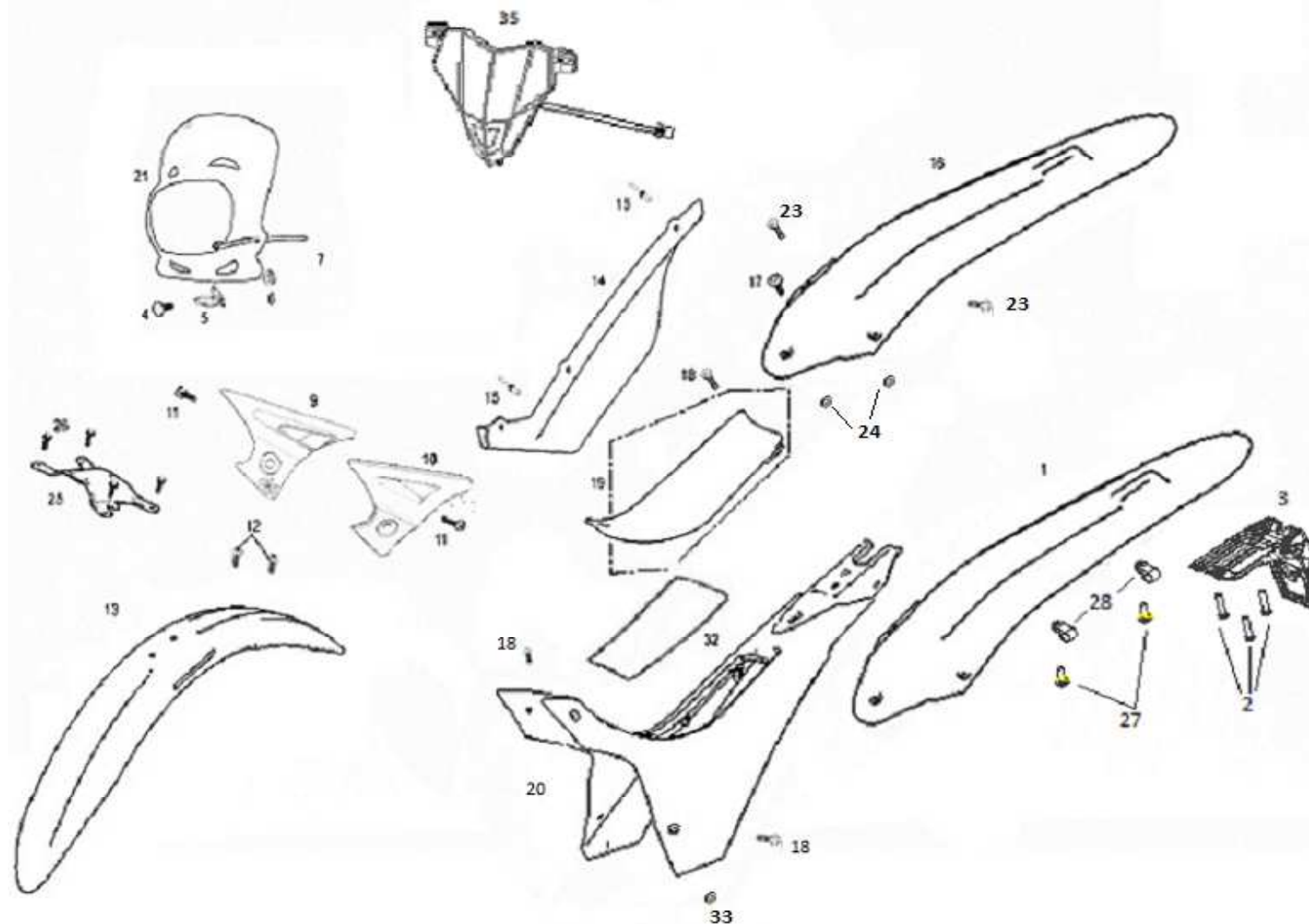
**Chasis 4**



Nº	DESCRIPCION / DESCRIPTION	250 / 280 / 300	Cant.
35	CTO. TENSOR CADENA / CHAIN TENSIONER ASSY.	BT42000RCT3009	1
36	ARANDELA BASCULANTE TRIAL 2002 / SWING-ARM WASHER	BT280212007	2
37	CTO. BALANCIN TRIAL RAGA 2012 LINK 1	BT30000083012	1
38	TORNILLO ESPECIAL M10X80X1.25 12.9 / M10X80X1.25 SCREW	T0210080	1
39	CASQUILLO SUSPENSIÓN DIAM.8 / DIAM. 8 SUSPENSION BUSHING	BT27712014	2
40	RETÉN 15-21-3-8170N BASC. BAL. / 15-21-3-8170N OIL SEAL	C230000	2
41	TORNILLO ROSCA-CHAPA 4.2X12 / 4,2X12 SCREW	T259349	2
42	TORNILLO ESP. HEX.CON ARANDELA M10X125 12.9 DELTATONE	BT35000003012	1
43	CTO. BIELETA TRIAL RAGA 2012 LINK 1	BT30000063012	2
44	TUERCA M10 / M10 NUT	T3110002	1
45	CENTRADOR ROTULA	3605.07.17	1
46	TORICA CENTRADOR	7.13.95.2.62	2
47	ARO CENTRADOR	360.5.06.02	1
48	ROTULA	RR5.70.GETWCK	1
49	CENTRADOR ROTULA	360.65.07.18	1
50	TUERCA MUELLE	320.5.15.04	1
51	MUELLE 65 - 138	RRS 4103	1
52	MUELLE 70 - 138	RRS 4104	1
53	MUELLE 75 - 138	RRS 4105	1
54	MUELLE 62,5	RRS 4108	1
55	MUELLE 72,5	RRS 4114	1
56	CIRCLIP MUELLE	9.37.00.1.50	1
57	EJE INTERMEDIO	340.04.20.03	1

***GASGAS***

***Chasis 4***

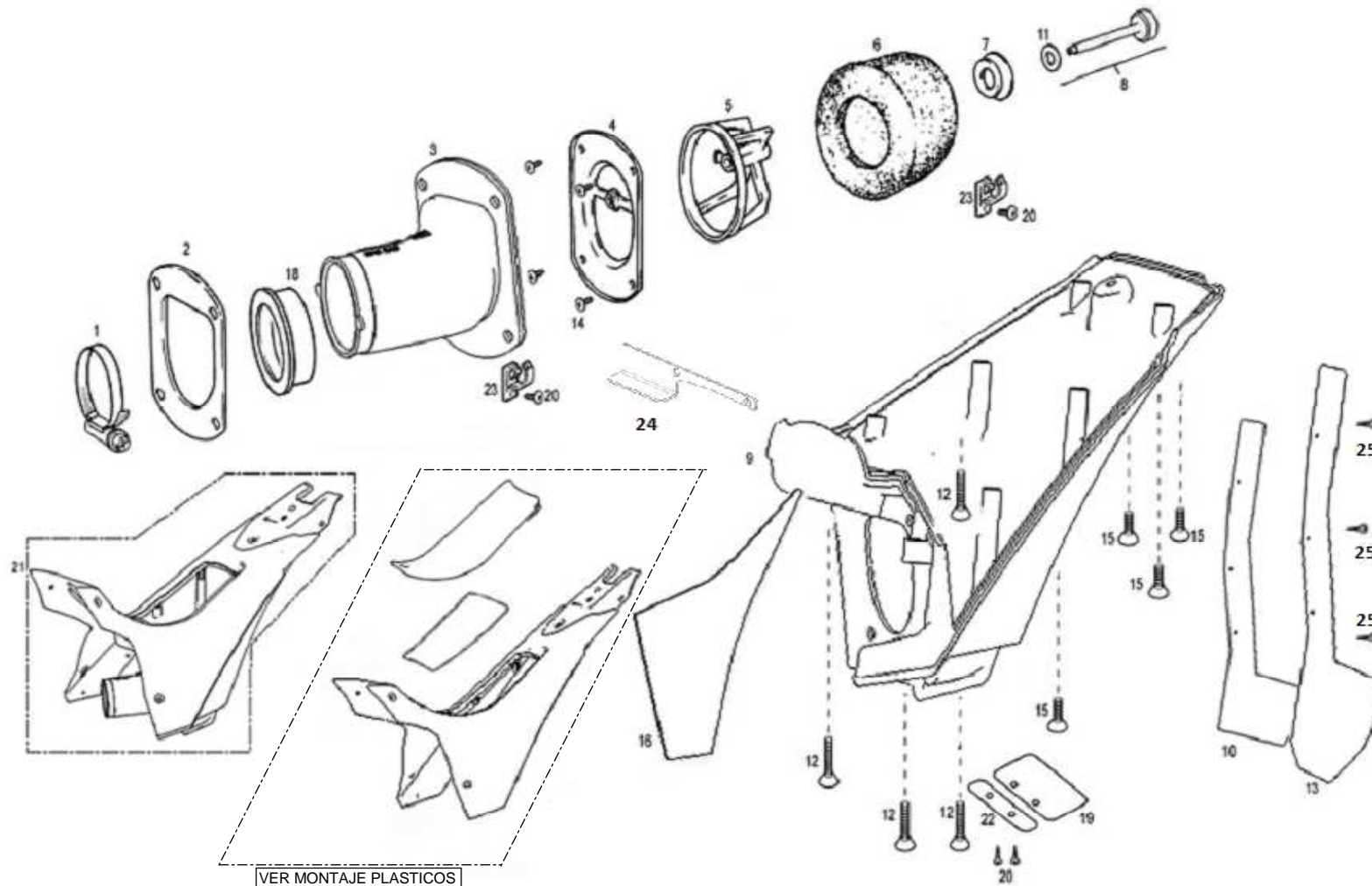


Nº	DESCRIPCION / DESCRIPTION	250 / 280 / 300	Cant.
1	GUARDABARROS TRAS. TRIAL HOMOLOGADO / TRIAL REAR FENDER	BT93500HRA3010	1
2	TORNILLO ROSCA PLASTICO 3,6x20	T0803020	3
3	PORTAMATRICULAS TRIAL 2011	BT93900RA3011	1
4	TORNILLO ULS 6X14 CON ARANDELA PLATA / ULS SCREW 6X14	T0556014	1
5	GANCHO INOXIDABLE / RUSTLESS HOOK	M130000	1
6	TUERCA CON ARANDELA M6 / M6 NUT WITH WASHER	T2206000	2
7	BRIDA UNEX / UNEX CLAMP	BE25634007	2
8	TORNILLO ROSCA-CHAPA 3X9 / 3X9 SCREW	T1003009	4
9	TAPA LATERAL DERECHA ROJA RAGA 2012	BT90000273012	1
10	TAPA LATERAL IZQ. ROJA RAGA 2012	BT90000283012	1
11	TORNILLO CHAPA 4.2X13 / SCREW 4.2X13	T0804612	2
12	ULS 5X8 / 5X8 ULS SCREW	T0505008	2
13	GUARDABARROS DEL.BLANCO RAGA 2012	BT90000163012	1
14	PROTECTOR ESCAPE TRIAL / EXHAUST PROTECTOR	BT947002811	1
15	REMACHE ALUMINIO 4X12 CABOTA NEGRA / ALUMINIUM RIVET	T4504012N	2
16	CTO.GUARDABARROS TRAS RAGA CON ADHESIVO MY12	BT90000223012CT	1
17	ULS 6X16 CON ARANDELA NEGRO / 6X16 BLACK ULS WITH WASHER	T0556016	1
18	TORNILLO CONICO 6X16 / 6X16 CONIC SCREW	T0406016I	5
19	CTO.TAPA CAJA DE FILTRO TXT RAGA 2012	BT90000143012CT	1
20	CTO.BASE ASIENTO CON ADH. RAGA MY12	BT90000153012	1
21	FARO DELANTERO TRIAL HOMOLOGADO / HOMOLOGATED TRIAL FRONT HEADLIGHT	BT90500RH3009	1
23	TORNILLO ESP.6X16 CON ARANDELA Y FIJADOR INOX	BT35000073012	2
24	TUERCA CUADRADA M6 INOX DIN 557	T730600000009	2
25	PUENTE SUSPENSION TRIAL COLOR ROJO RAGA 2012	BT20000073012	1
26	TORNILLO ESPECIAL 6X14 / 6X14 SPECIAL SCREW	T0206014	4
28	TUERCA AUTOBLOCANTE M6 C/ARAND / SELF-LOCKING NUT M6	T2206002	3
29	TORNILLO ROSCA-CHAPA 3.5X13 / SCREW 3.5X13	T0603513	2
32	TUBO FLEXIBLE SILICONA BASE ASIENTO / SEAT BASE SILICON HOSE	BT795302811	1
33	ARANDELA 5X12X1'5 / WASHER 5X12X1'5	T4005012	1
35	CTO.FARO RACING NEGRO RAGA 2012	BT90000243012	1

**GASGAS**

**Chasis 5**



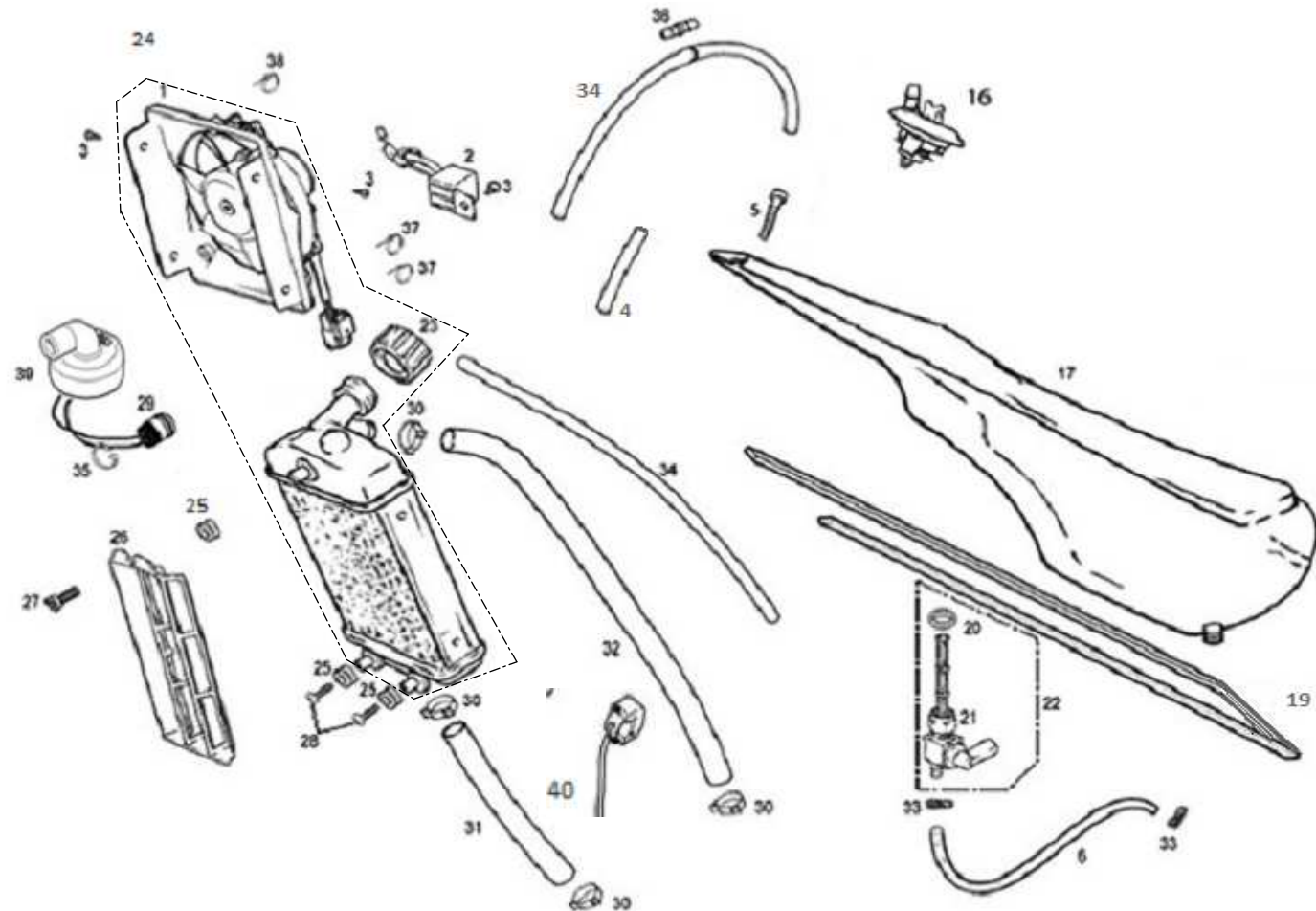


VER MONTAJE PLASTICOS  
SEE PLASTICS ASSY

Nº	DESCRIPCION / DESCRIPTION	250 / 280 / 300	Cant.
1	ABRAZADERA S56/9 / CLAMP	MT280316132	1
2	PLATINA EXTERIOR SOPORTE JAULA FILTRO TRIAL 2002 / EXTERNAL PLATE	BT280228021	1
3	TOBERA CAJA FILTRO TRIAL SXXI / TUBE, AIR CLEANER CONNECT.	BT792002811	1
4	PLATINA INTERIOR SOPORTE JAULA FILTRO TRIAL 2002 / INNER PLATE	BT280228020	1
5	JAULA FILTRO AIRE TRIAL / AIR CLEANER CAGE	BT280228002	1
6	FILTRO AIRE TRIAL XXI / AIR CLEANER	BT280328000	1
7	TETÓN ESPUMA FILTRO TRIAL 2002 / AIR CLEANER WASHER	BT280228008	1
8	VARILLA FILTRO TRIAL / AIR CLEANER ROD	BT795202811	1
9	CAJA FILTRO TRIAL / AIR CLEANER BOX	BT790002811	1
10	AD. PROTECTOR CAJA FILTRO / AIR CLEANER PROTECTOR SITCKER	BT79560RA3010	1
11	ARANDELA / WASHER	T4006016	1
12	TORNILLO ROSCA-CHAPA 3,5X30 / 3,5X30 SCREW THREAD	BT280228034	4
13	GOMA PROTECCIÓN CAJA FILTRO / AIR CLEANER BOX PROTECTOR RUBBER	BT795402811	1
14	ULS 4X10 NEGRO CON ABRAZADERA / ULS 4X10 BOLT	T0554010N	4
15	TORNILLO ROSCA-CHAPA 3,5X12 / 3,5X12 SCREW THREAD	BT280228035	4
16	ADH. PROTECTOR TERMICO ESCAPE / THERMIC EXHAUST PROTECTOR STICKER	BT795502811	1
18	ADAPTADOR CARBURADOR / CARBURETOR ADAPTER	MT300616133	1
19	VÁLVULA VACIADOR CAJA FILTRO TRIAL / TRIAL FILTER BOX VALVE	BT280428032	1
20	TORNILLO ROSCA-CHAPA 4,2X10 NEGRO / BLACK 4,2X10 SCREW	T0604210	4
21	CTO. CAJA FILTRO TRIAL / PRO FILTER BOX SET	BT90000293012	1
22	PISADOR VÁLVULA VACIADOR CAJA FILTRO / BOX VALVE SUJECTION	BT280428045	1
23	PRENSACABLES SR1789 / CABLE TIE SR1789	BT280428006	1
24	PLETINA ENTRADA DE AIRE / AIR ENTER PLATE	BT30125R3011	1
25	TORN. ESPECIAL PLASTICO 4X12 CELO RF87T ZINCADO	T0804012	3

**GASGAS**

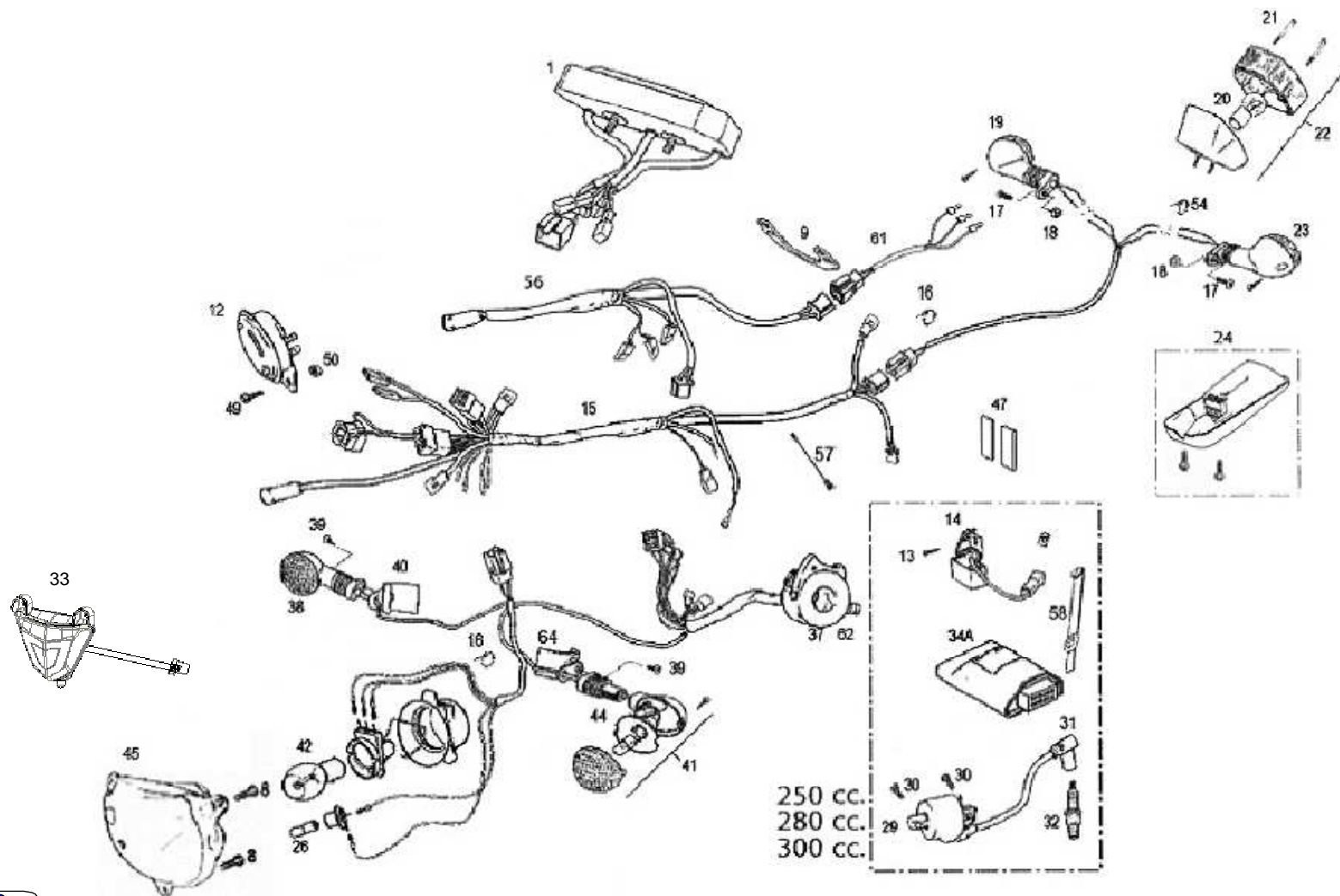
**Chasis 6**



Nº	DESCRIPCION / DESCRIPTION	250 / 280 / 300	Cant.
1	VENTILADOR F-14 / FUN F-14	BFS450332340	1
2	MODULO VENTILADOR / FUN MODULE	BT120532342	1
3	TORNILLO ROSCA CHAPA CON ARANDELA / SCREW THREAD WITH WASHER	T0604210	3
4	TUBO DESVAPORIZADOR TAPON GASOLINA COMPLEMENTARIO	BT80000063012	1
5	TORNILLO DESVAPORIZADOR DEP.GASOLINA RAGA 2012	BT80000033012	1
6	TUBO GASOLINA TRIAL / FUEL HOSE	BT280236004	1
16	CTO.TAPON GASOLINA TRIAL 2012	BT80000053012	1
17	CTO.DEPOSITO GASOLINA RAGA 2012 NEGRO	BT80000023012CT	1
19	GOMA INSONORIZA DEPOSITO GASOLINA 2012	BT80000093012	1
20	ARANDELA GRIFO DEPÓSITO / WASHER TANK TAP	BT27910131	1
21	TUERCA GRIFO DEPÓSITO / NUT TANK TAP	BT27910132	1
22	GRIFO GASOLINA C/90 / FUEL VALVE	BT27810031	1
23	TAPÓN RADIADOR TP50806 TRIAL 2002 / RADIATOR CAP	BT280232032	1
24	CTO. RADIADOR CON VENTILADOR TRIAL PRO / TRIAL PRO RADIATOR	BT70000RCT3009	1
25	GOMAS RADIADOR A CHASIS / RADIATOR TUBE TO FRAME	G220000	3
26	REJILLA RADIADOR TRIAL / RADIATOR PROTECTOR	BT730502809	1
27	ALLEN 6X14 / 6X14 ALLEN BOLT	T0306014	1
28	ULS 6x10 CON ARANDELA / 6X10 ULS BOLT WITH WASHER	T0556010	2
29	TERMO CONTACTO / TERMO-CONTACT	BT280432065	1
30	ABRAZADERA COBRA DE 21 / COBRA CLAMP 21	L200046	4
31	TUBO INFERIOR RADIADOR-BOMBA AGUA / RADIATOR-WATER PUMP LOWER TUBE	BT710002810	1
32	TUBO SUPERIOR RADIADOR-CULATA / RADIATOR-CYL. HEAD UPPER TUBE	BT710502810	1
33	ABRAZADERA ELÁSTICA NEGRA ALAMBRE 9.3X9.9 2016055 / SPRING CLAMP	L200036	2
34	CTO.TUBO DESVAPORIZADOR GASOLINA RAGA 2012	BT80000073012	1
35	CLIP TERMOSTATO PRO 2005 / SEEGER	BT280432066	1
36	VÁLVULA DESVAP. DEPÓSITO / UNSTEAMER VALVE	BT27836025	1
37	BRIDA UNEX CORTA 2.5X98 / UNEX CALMP	BE25634010	2
38	BRIDA UNEX 2244 4.8X20 / UNEX CLAMP	BE25634009	1
39	FUNDA TERMOCONTACTO / THERMOCONTACT COVER	BT70110R3009	1
40	INTERRUPTOR CDI / CDI SWITCH	ET511902810	1

**GASGAS**

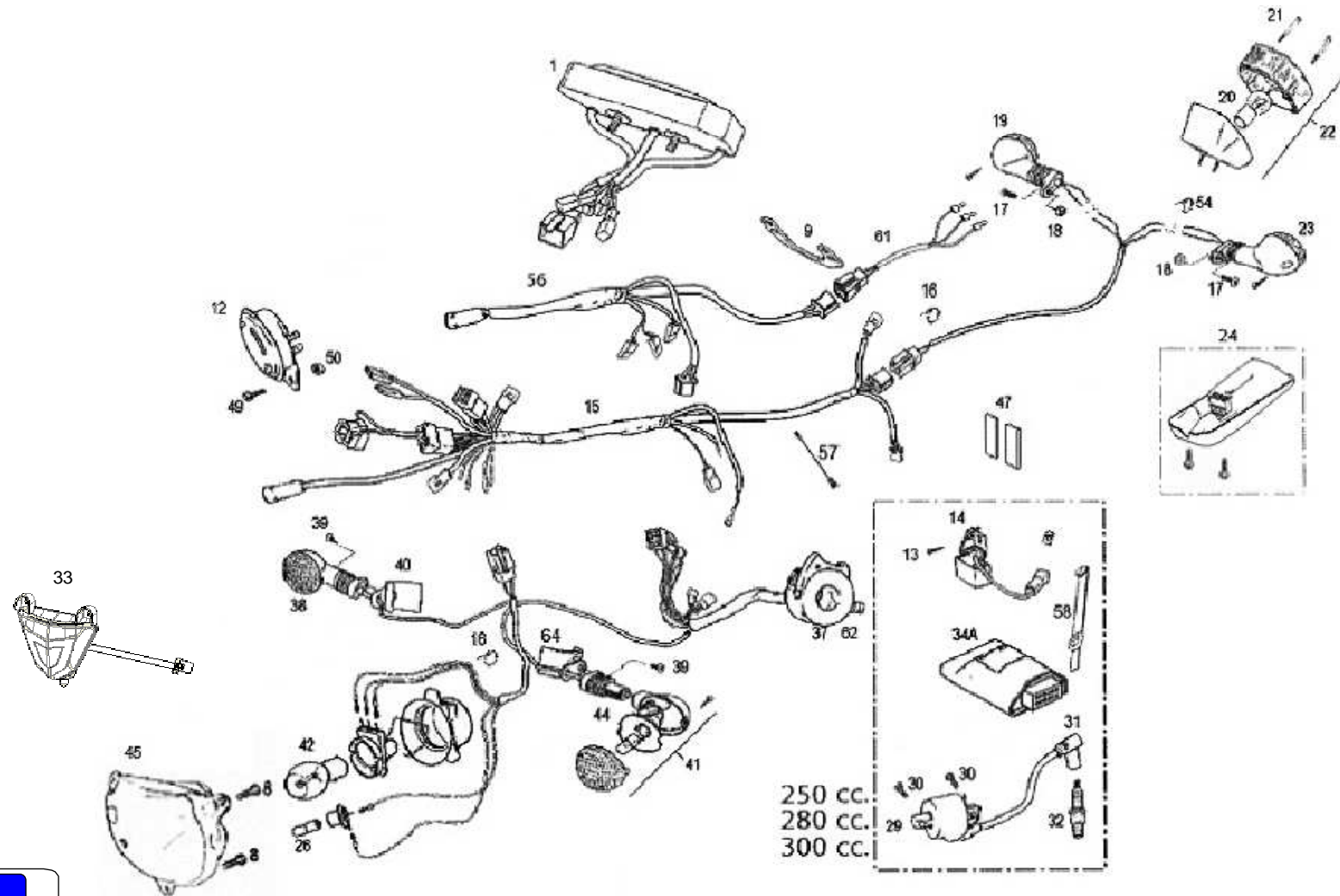
**Chasis 7**



Nº	DESCRIPCION / DESCRIPTION	250 / 280 / 300	Cant.
1	MULTIFUNCIÓN TRIAL / TRIAL MULTIFUNCTION	ET600002808	1
7	BOMBILLA 12V 1,2-9W / 12V 1,2-9W BULB	L300123	3
9	SOPORTE CUENTA KM. / KM. COUNTER SUPPORT	BT280634045	1
12	CTO. CLAXON PE40065G11 / HORN ASSY	L300105	1
13	TORNILLO ESPECIAL 6X14 / 6X14 SPECIAL SCREW	T0206014	1
14	REGULADOR ALTERNADOR / ALTERNATOR REGULATOR	L300031	1
15	INSTALACIÓN TRIAL / TRIAL INSTALLATION	ET10000RC2808	1
15A	INSTALACION ELEC.TRIAL HOMOLOGADA 2012	ET10000003012	1
16	BRIDA UNEX MEDIANA / UNEX CLAMP	BE25634009	3
17	ULS 6X16 NEGRO / 6X16 ULS BLACK BOLT	T0506016N	2
18	TUERCA CON ARANDELA M6 / M6 NUT WITH WASHER	T2206000	2
19	INTERMITENTE DERECHO TRASERO / RIGHT REAR INDICATOR	BT280634018	1
20	BOMBILLA 12V 5-21W / 12V 5-21W BULB	L300116	1
21	CRISTAL FARO TRASERO HOMOLOGADO / HOMOL. REAR LIGHT CAP	BP25734115	1
22	FARO PILOTO TRIAL HOMOLOGADO / HOMOL. TRIAL REAR LIGHT SET	BP27534015	1
23	INTERMITENTE IZQUIERDO TRASERO / LEFT REAR INDICATOR	BT280634019	1
24	FARO PILOTO TRIAL / TRIAL REAR LIGHT SET	ET30000CT2811	1
25	TORNILLO ROSCA CHAPA 3.5X13 / BOLT 3.5X13	T0603513	3
26	LÁMPARA 12V3W BIFARO AM0518 / 12V 3W LAMP	L300119	1
27	TIRA ADHESIVA 45MM. CAJA FILTRO EC2003 / STICKER 45MM.	BE250328039	2
29	BOBINA KOKUSAN IG3815 / KOKUSAN ELECTRIC COIL	ET500002809	1
30	ALLEN 6X16 / ALLEN 6X16 BOLT	T0306016	3
31	PIPA BUJÍA IB05EMH = BT27934000 / SPARK PLUG	BT25934000	1
32	BUJÍA BPR5ES / SPARK PLUG	M04012000	1
33	CTO. LED'S RACING RAGA 2011	BT90000123011	1
34A	CDI DIGITAL CU7510 TRIAL / TRIAL DIGITAL CDI	MT280534007	1
37	CONMUTADOR TRIAL HOMOLOG LUCES 2012	ET10000013012	1
38	INTERMITENTE DERECHO DELANTERO / FRONT RIGHT INDICATOR	BT280634018	1
39	TORNILLO PHILIPS ROSCA-CHAPA 6.3x16 NEGRO / 6.3X16 CLACK SCREW	T0706316	2
40	SOPORTE INTERMITENTE DELANTERO / FRONT INDICATOR SUPPORT	BE250134017	2

**GASGAS**

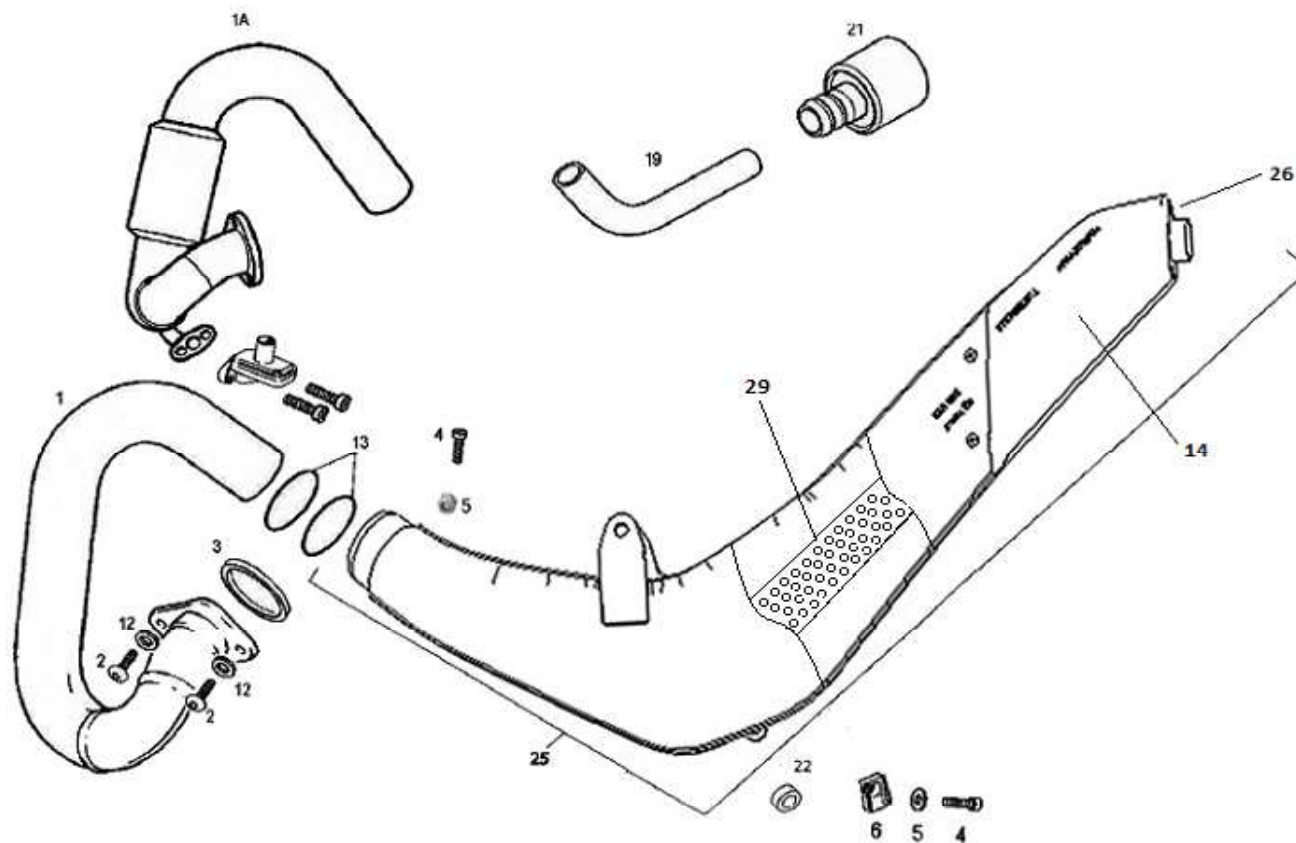
**Chasis 8**



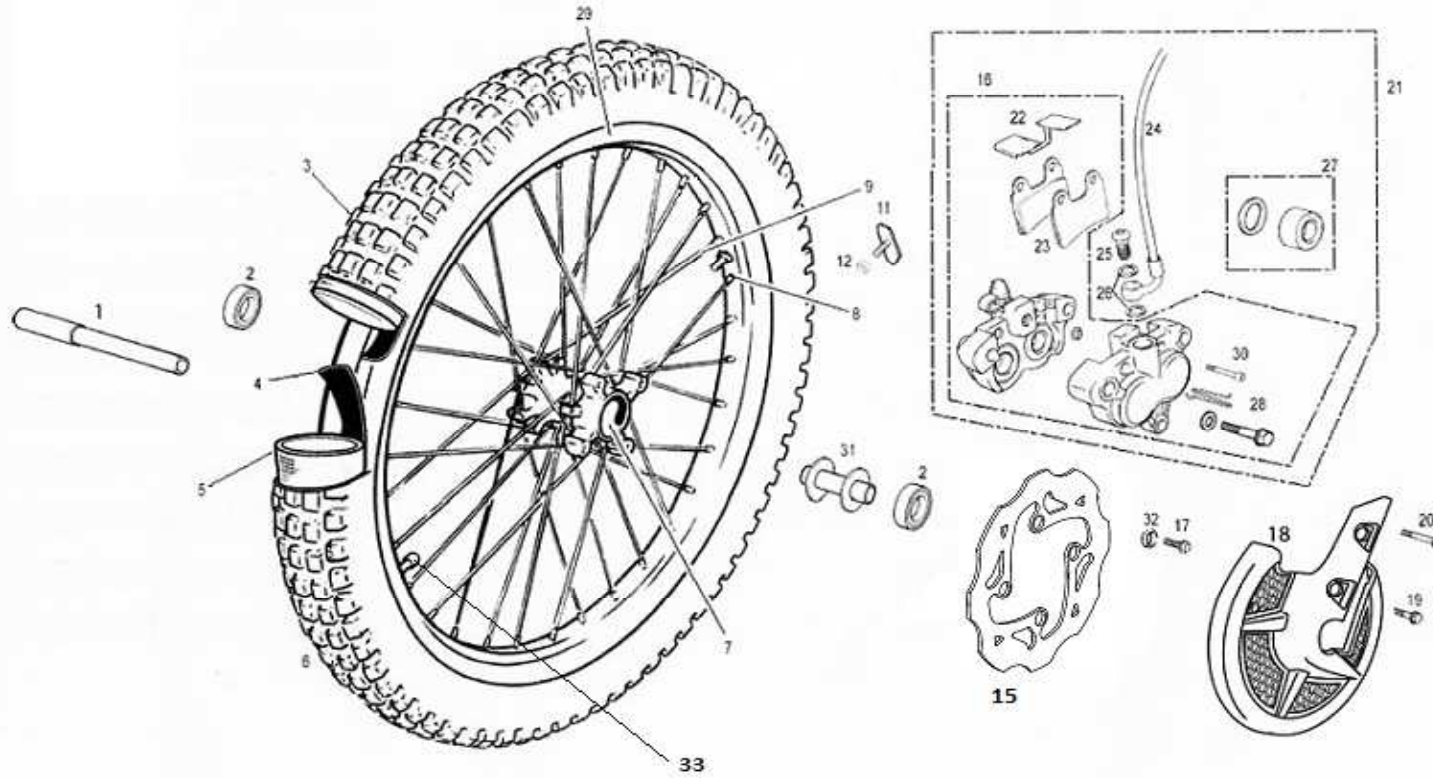
Nº	DESCRIPCION / DESCRIPTION	250 / 280 / 300	Cant.
41	INTERMITENTE IZQUIERDO DELANTERO / FRONT LEFT INDICATOR	BT280634019	1
42	BOMBILLA 12V 35W/35 (1221) / 12V 35W/35 LAMP	L300122	4
44	LÁMPARA 12V15W CASQUETE / 12V15W LAMP	L300115	4
45	ÓPTICA FARO HOMOLOGADO / HEADLIGHT	BT280120022	1
47	ESPUMA PROTECTORA CDI KOKUSAN TRIAL PRO 2005 / CDI PROTECTOR	MT280534023	2
49	ULS 6X10 C/ARANDELA PLATA / ULS 6X10 BOLT	T0556010	1
50	TUERCA AUTOBLOCANTE BAJA M6 (DIN985) / M6 NUT	T2106001	1
54	BRIDA NYLON 3.6X140 LAT.EMBRAGUE / ALLEN BOLT 6X14	BE250022031	1
56	INSTALACIÓN RACING TRIAL / TRIAL RACING INSTALLATION	ET10000RC2808	1
57	ALARGO CONECTOR BOBINA / BOBINE WIRE EXTENSION	ET501002809	1
58	GOMA SUJECCION CDI /	BE250034100	1
			1
61	INST. ALARGO PILOTO TRASERO TRIAL / INSTALLATION	ET300102808	1
62	CONMUTADOR LUZ 2 POSICIONES	ET602002808	1
63	CAJA INTERMITENCIA	L300720	1
64	SOPORTE INTEMITENCIA IZQUIERDO	BE250134020	1







Nº	DESCRIPCION / DESCRIPTION	250 / 280 / 300	Cant.
1	CURVA ESCAPE CONO TITANIO RAGA 2012	BT8500023012	1
1A	CURVA ESCAPE HOMOLOGADA / HOMOLOGATED BEND EXHAUST	BT280626001H	1
2	ULS 8X16 / 8X16 ULS	T0508016	2
3	JUNTA ESCAPE S4 105 / EXHAUST GASKET	MT280244012	1
4	TORNILLO ESP. 6X14 / SPECIAL SCREW 6X14	T0206014	1
5	TUERCA CON ARAND. ESTRIADA M6 / M6 NUT WITH WASHER	T2206000	1
12	ARANDELA GROVER 8X12X2 / GROVER WASHER	T4008314	2
13	TÓRICA SILENCIOSO INTERMEDIO 44,05X3,53 / O'RING INT. SILENCER	C290000	2
14	CAZOLETA SILENCIOSO FINAL / FINAL EXHAUST COVER	BT870802811	1
19	TUBO AIRE SECUNDARIO DE ESCAPE A VÁLVULA / SECONDARY AIR HOSE FROM EXHAUST TO VALVE	BT280626061	1
21	FILTRO AIRE SECUNDARIO / SECONDARY AIR FILTER	BT280626059	1
22	CASQUILLO INF. ESCAPE TRIAL / LOWER EXHAUST BUSHING TRIAL	BT280226240	1
23	ABRAZADERA 8X15 / 8X15 CLIP	BQ300214157	4
24	ULS 6X14 ARANDELA INC. / WASHER INC ULS 6X14	T0556014	2
25	CTO. INTERM. Y FINAL / INTERMEDIATE AND FINAL SET	BT860002811	1
26	PLETINA ALUMINIO CAZOLETASILENCIOSO / FINAL MUFFLER COVER ALUMINIUM PLATE	BT870602811	1
28	FRIBRA SILENCIOSO FINAL TRIAL 2011	BT85000003011	1
29	TUBO INTERIOR ESCAPE CON FIBRA	BT870802511	1



Nº	DESCRIPCION / DESCRIPTION	250 / 280 / 300	Cant.
1	EJE RUEDA DEL TECH SUSPENSION 2012	BT50000043012	1
2	COJINETE 6004 / BEARING	C160001	2
3	CUBIERTA DELANTERA 2.75X21 / FRONT TYRE	BT501002810	1
4	GOMA PROTECTOR R14025 2.75X21 REF. 554350 / FRONT FLAP TYRE	N100000	1
5	CÁMARA DELANTERA 2.75X21 REF. 450905 / FRONT TUBE	N120000	1
6	CTO. RUEDA DEL. TXT RAGA 2012 NEGRA	BT50000083012CT	1
7	CTO.CUBO RUEDA DEL.TECH SUSPENSION	BT50000063012	1
8	TUERCA RADIOS 3MM. RUEDA DELANTERA DIA. 6.5 / SPOKE NUT	BT27718001	32
9	RADIO 3X257 RUEDA DELANTERA TRIAL NEGRO / BLACK FRONT WHEEL SPOKE	BT54200N2809	32
11	AGARRE CUBIERTA / TYRE CLAMP	BE25618027	1
12	TUERCA CON ARANDELA ESTRIADA M8 ZINCADA / NUT WITH WASHER	BE25818060	1
15	DISCO FRENO DELANTERO / FRONT BRAKE DISK	BT52000R3010	1
16	PINZA FRENO DELANTERO / FRONT BRAKE PADS	BT620002811	1
17	HEXAGONAL M8 CON ARANDELA / M8 HEXAGONAL SCREW WITH WASHER	T0206020	4
18	PROTECTOR DISCO FRENO / FRONT BRAKE DISK PROTECTOR	BT94100RB3009	1
19	TORNILLO PINZA FRENO DELANTERA INFERIOR 8X1.25X36.5 / SCREW	BT280022071	1
20	TORNILLO PINZA FRENO DELANTERA SUPERIOR 8X1.25X62.5 / SCREW	BT280022070	1
21	CTO. FRENO DELANTERO TRIAL / FRONT BRAKE SET	BT60000CT2811	1
22	PLANCHA PROTECCIÓN PASTILLAS FRENO / BRAKE PAD PROTECTOR	BT280222213	1
23	PASTILLA FRENO DELANTERA 229.99102 / FRONT BRAKE PAD	BT280222065	2
24	LATIGUILLO FRENO DELANTERO 2000 / FRONT BRAKE TUBE	BT611002811	1
25	SANGRADOR FRENO DELANTERO D8 / HOSE SCREW	BT612002811	1
26	ARANDELA PLANA COBRE 10.25X14X1.4 / 10.25X14X1.4 WASHER	BT27922072	2
27	KIT REPARACION PINZA FRENO DEL. / FRONT BRAKE CALIPER SET	BT280222201	1
28	CHAVETA SUJECCIÓN PASTILLA FRENO / FRONT BRAKE PAD KEY	R250000	1
29	LLANTA NEGRA DEL RAGA 2012 / FRONT BLACK RIM RAGA 2012	BT50000073012	1
30	TORNILLO SUJECCION PASTILLAS / BRAKE PADS SCREW	BT280222006	1
31	CASQUILLO INT BUJE DEL TECH SUSP 2012 / INTERIOR HUB BUSHING	BT50000033012	1
32	DISTANCIADOR DISCO FLOTANTE / WASHER FLOATING DISC	BT27918019	4
33	JUEGO TAPONES SILICONA VALVULA TRIAL ROJOS	BT555002808R	1
34	CTO. LLANATA DEL NEGRA RAGA 2012	BT50000093012	1

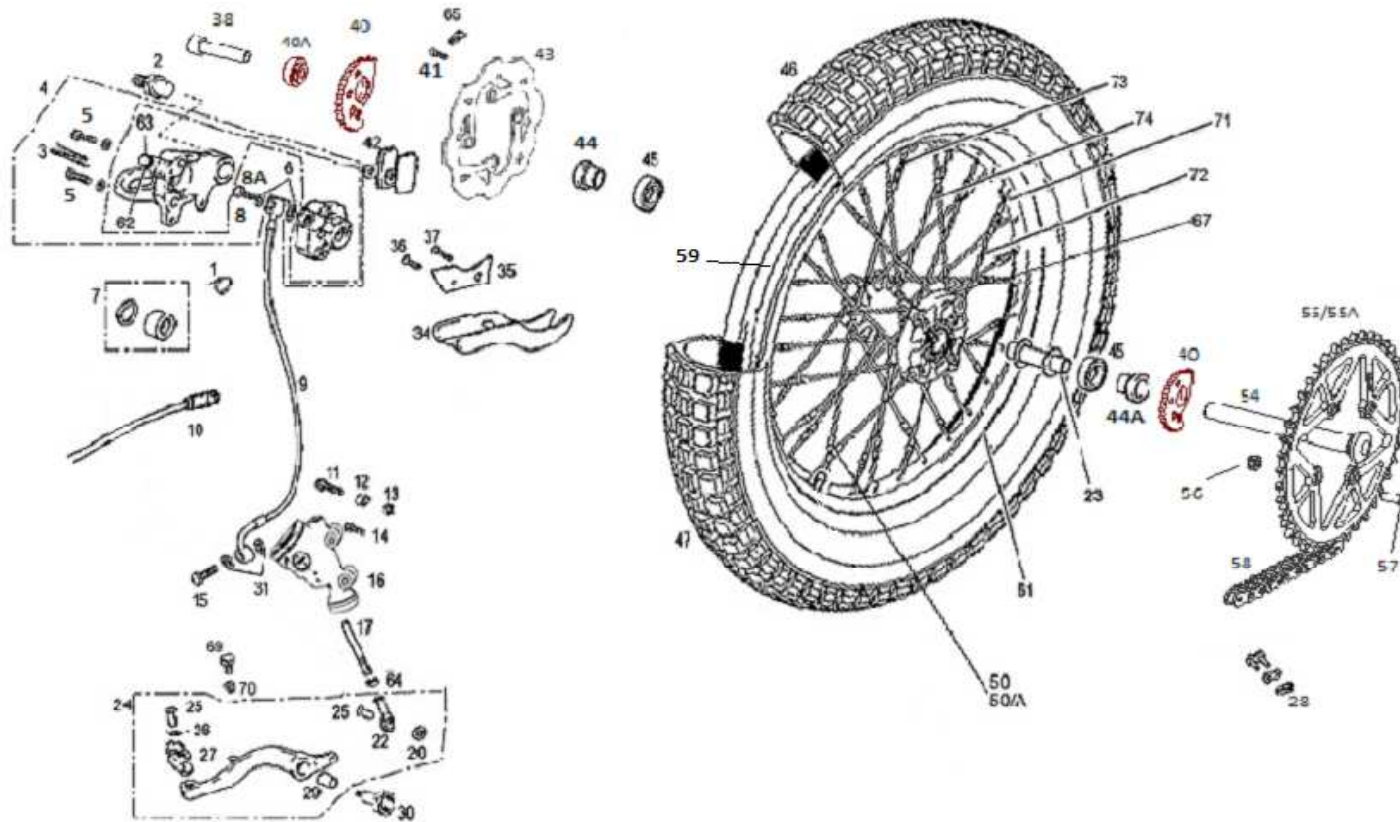
**GASGAS**

**Chasis 10**

**Rueda trasera /  
Rear wheel**

**GASGAS**

**TXT RAGA 2012**



Nº	DESCRIPCION / DESCRIPTION	250 / 280 / 300	Cant.
1	BRIDA UNEX CORTA 2221-0 2,5X98 / 0 2.5X98 / CABLE TIES 2.5X98	BE25634010	1
2	CASQUILLO CENTRADOR PINZA / SPACER BUSHING	BT280222049	1
3	CHAVETA SUJECIÓN PASTILLA / KEY SPACER BRAKE PADS	R250000	1
4	PINZA FRENO TRASERA / CALIPER BRAKE REAR	BT670002811	1
5	TORNILLO LATERAL BOMBA FRENO TRASERO / BOLT PRESSURE HOSE	R320000	1
6	ARANDELA AL. 10X14X1.5 / WASHER 10X14X1.5	BT280422007	2
7	KIT REPARACIÓN PINZA FRENO / REPAIR KIT BRAKE PAD	BT280222202	1
8	INTERRUPTOR STOP HOMOLOGADO / STOP INTERRUPTOR HOMOL.	BT662052811	1
8A	RACOR LATIG. FRE. TRAS.(B19001AL/NY) M10X1 ALU-TITANIO	BT280522006	1
9	LATIGUILLO FRENO TRASERO / REAR BRAKE HOSE	BT661002811	1
10	REENVÍO / HALL SENSOR	BT280634050	1
11	TORNILLO 6X25 / 6X25 BOLT	T0206025	1
12	CASQUILLO SEPARADOR FRENO TRASERA / REAR BRAKE PUMP SPACER	BT280226240	1
13	TUERCA CON ARANDELA M6 (DIN 6923) ESTRIADA / M6 NUT WITH WASHER	T2206000	2
14	TORNILLO ESPECIAL 6X14 / 6X14 SPECIAL SCREW	T0206014	1
15	RACOR LATIGUILLO BOMBA FRENO D8	BT662002811	1
16	BOMBA FRENO TRASERO / REAR BRAKE PUMP	BT660002811	1
17	VARILLA FRENO TRASERA TRIAL 2002 "CORTA"	BT280222062	1
20	ARANDELA PLANA 6X12X1.5 / WASHER 6X12X1.5	T4006012	1
22	RÓTULA PEDAL FRENO / BRAKE PEDAL BALL-AND-SOCKET JOINT	BT280222053	1
23	CASQUILLO SEPARADOR 390.80.221 / BUSHING	BT280218052	1
24	CTO. PEDAL FRENO TRASERO / REAR BRAKE PEDAL SET	BT13000CT2809	1
25	REMACHE PUNTERA PEDAL FRENO / BRAKE PEDAL END RIVET	BE25922018	1
26	MUELLE PUNTERA PEDAL / SPRING PEDAL, END GEAR CLEVER	ME25636029	1
27	PUNTERA PEDAL FRENO / TOE PEDAL BRAKE	BT27922017	2
28	ENGANCHE CADENA 520 RXL RAGA 2012 / CHAIN SPLIT LINK RAGA 2012	BT05000043012	1
29	GLACIER PEDAL FRENO 1215PD10 / GLACIER BRAKE PEDAL	C200101	1
30	CASQUILLO TORNILLO PEDAL FRENO TRIAL / SCREW BUSHING	BT280610302	1
31	ARANDELA RACOR D8X12X1.5	BT662102811	2

**GASGAS**

**Chasis 11**

**Rueda trasera /**  
**Rear wheel**

**GASGAS**

**TXT RAGA 2012**

Nº	DESCRIPCION / DESCRIPTION	250 / 280 / 300	Cant.
34	PROTECTOR DISCO TRASERO 2001 / BRAKE DISC PROTECTOR	BT57050R3009	1
35	SOPORTE PROTECTOR DISCO TRASERO / BRAKE DISC PROTECTOR SUPPORT	BT280222051	1
36	ULS 5X12 / 5X12 ULS	T0505012	1
37	TORNILLO ULS 6X20 / 6X20 ULS BOLT	T0506020	1
38	TORNILLO EJE RUEDA TRASERA / REAR WHEEL AXLE BOLT	BT280718023	2
39	ARANDELA EJE TRASERO 17X30X1,5 DIN 137 / REAR WASHER	BT280436014	1
40	EXCÉNTRICA TRASERA / REAR SAIL CAM ADJUSTER	BT55000013011	2
40A	CASQUILLO EXCENTRICA EJE RUEDA POST.	BT55000023011	1
41	ALLEN 6X18 / 6X18 SCREW	T0206020	4
42	PASTILLA FRENO TRASERA / REAR BRAKE PADS	BT280222068	2
43	DISCO FRENO TRASERO TRIAL / REAR BRAKE DISK	BT57000R3010	1
44	DISTANCIADOR RUEDA TRASERA 7.5MM / REAR SPACER WHEEL	BT280218021	2
44A	DISTANCIADOR RUEDA TRAS.LADO CORONA 15.3	BT55000013012	1
45	COJINETE 6004 / BEARING	C160001	2
46	CUBIERTA TRASERA 400X18 TBLS / REAR WHEEL TYRE	BT551002810	1
47	CTO. RUEDA TRAS.TXT RAGA 2012	BT55000093012CT	1
50	TENSOR RADIO / SPOKE NUT	BT592032809	32
51	VÁLVULA / AIR VALVE	N200110	16
54	EJE RUEDA TRASERA / REAR WHEEL AXLE	BT280718020	1
55	CORONA TITANIO Z41 / SPROCKET TITANIUM Z41	BT573002810	1
55A	CORONA TITANIO Z42 / SPROCKET TITANIUM Z42	BT573003010	1
56	TUERCA AUTOBLOCANTE M8 BAJA / LOW SELF-LOCK NUT	T2108001	4
57	ULS 8X20 PLAT. PROT. / 8X20 ULS	T0508022	4
58	CADENA TRIAL RAGA 2012 102 PASOS 520 RXL	BT05000013012	1

**GASGAS**

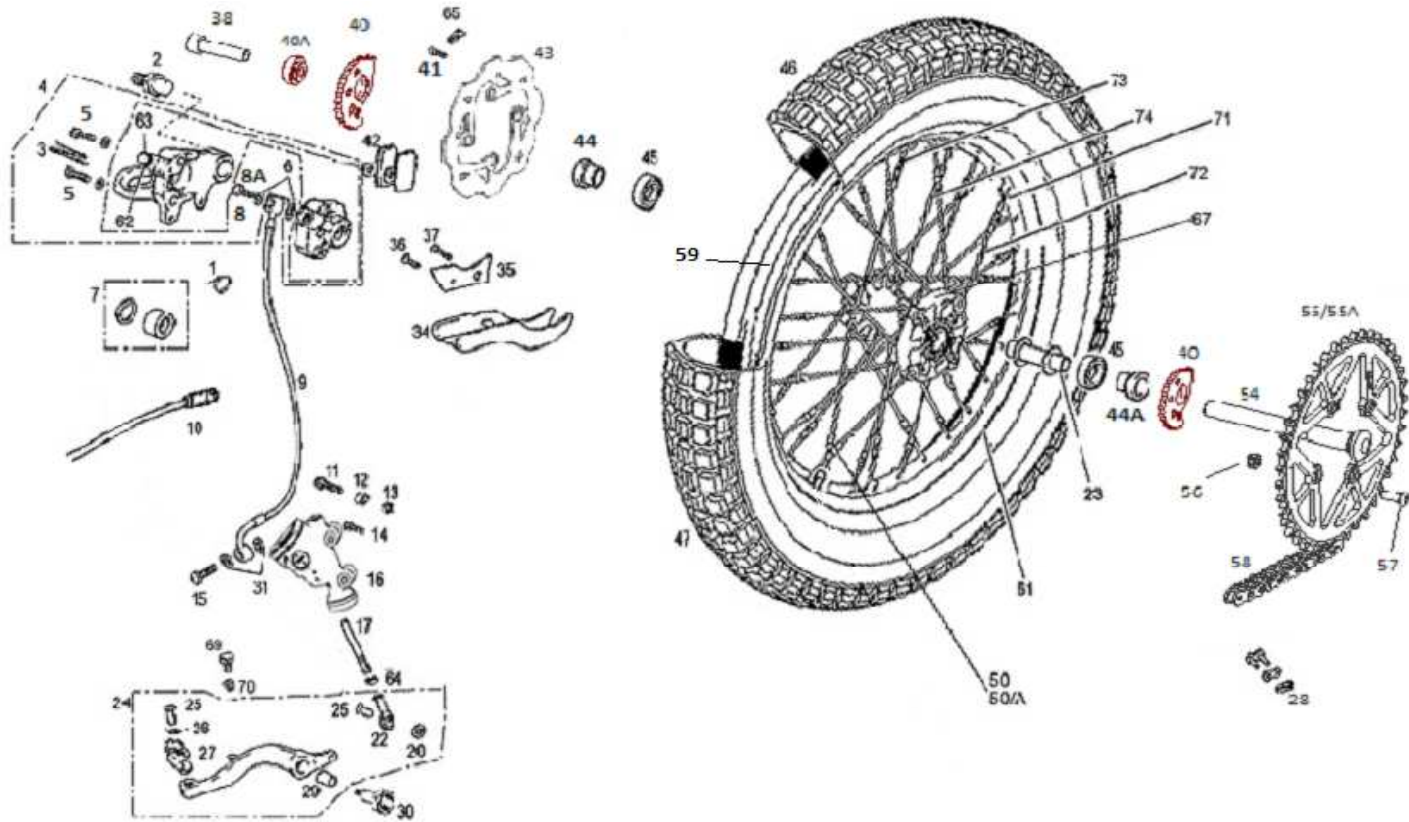
**Chasis 11**



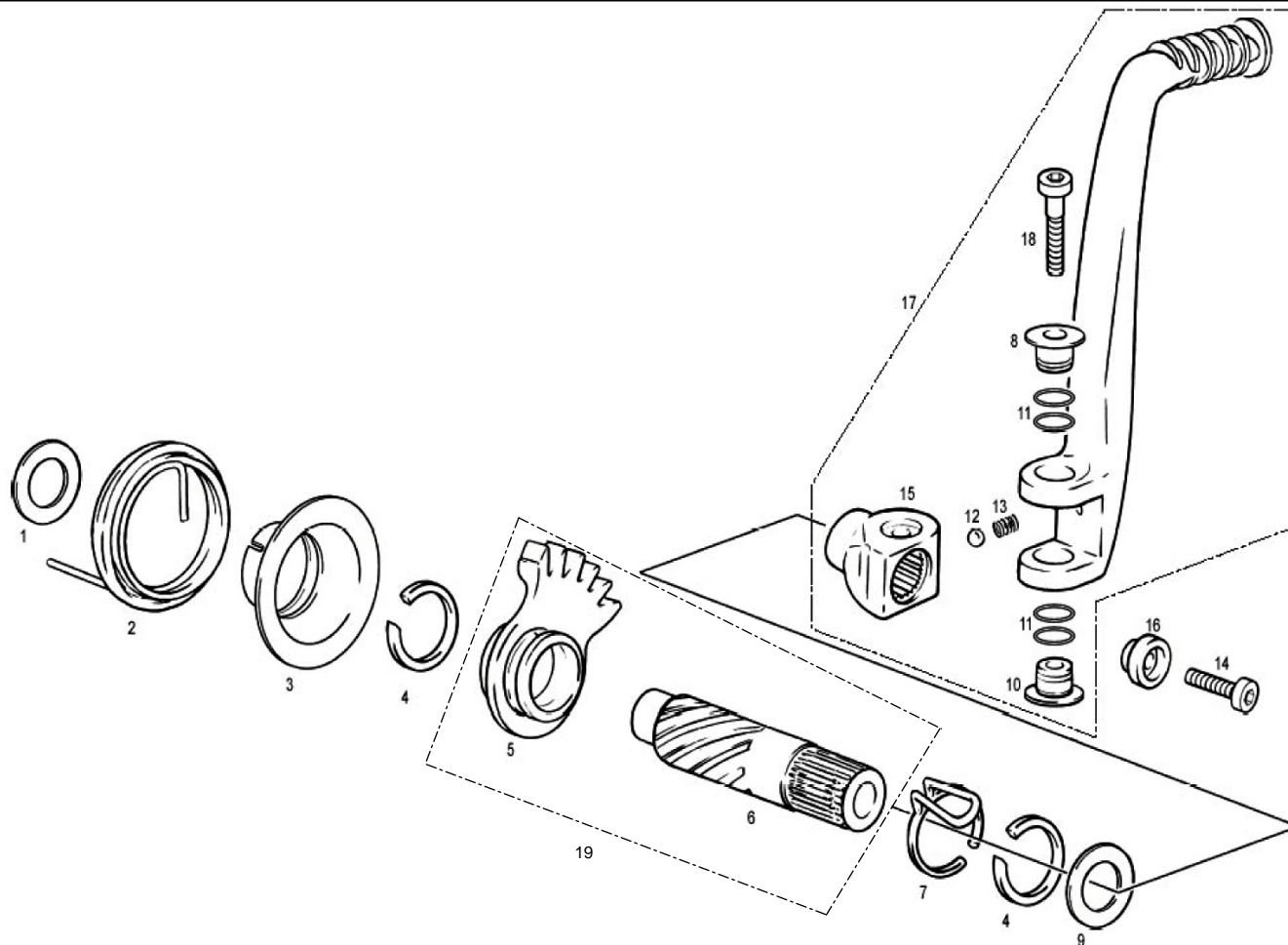
**Rueda trasera /  
Rear wheel**

**GASGAS**

**TXT RAGA 2012**



Nº	DESCRIPCION / DESCRIPTION	250 / 280 / 300	Cant.
59	FLAP CON VALVULA	BT551502808	1
60	CTO. LLANTA TRAS NEGRA RAGA 2012 /ASSY REAR BLACK RIM RAGA 2012	BT55000143012	1
61	LLANTA TRASERA NEGRA RAGA 2012 / REAR BLACK RIM RAGA 2012	BT55000083012	1
62	SANGRADOR / BLEEDER	BE25622060	1
63	TAPÓN SANGRADOR / BLEEDER CAP	BT27922055	1
64	TUERCA M6 BAJA DIN 934 / M6 NUT	T2006001	1
65	IMÁN 2221-0 2.5X98 / MAGNET	BT280234012	1
67	CUBO RUEDA TRASERA / REAR WHEEL HUB	BT280218027	1
69	TORNILLO HEXAGONAL 5X10 // HEXAGONAL SCREW M5X10	T0105010	1
70	TUERCA M5 / NUT M5 NORMAL	T2005000	1
71	RADIO IZQUIERDO CORTO	BT59222R3009	16
72	RADIO IZQUIERDO LARGO	BT59211R3009	16
73	RADIO DERECHO CORTO	BT59202R3009	16
74	RADIO DERECHO LARGO	BT59201R3009	16



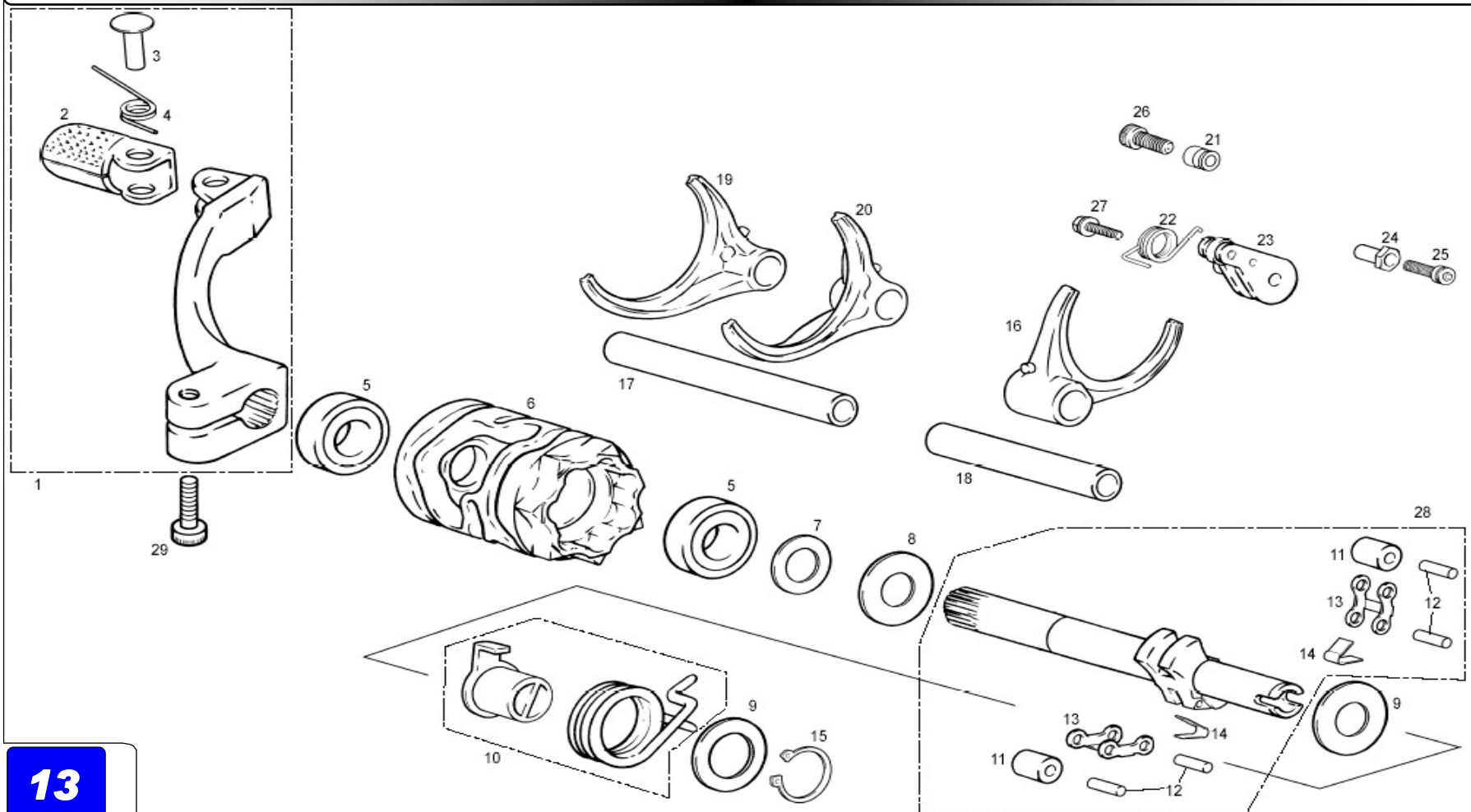
Nº	DESCRIPCION / DESCRIPTION	250 / 280 / 300	Cant.
1	ARANDELA 14X25X0,5 / 14X25X0,5 WASHER	T4001425	1
2	MUELLE ARRANQUE TRIAL / PEDAL KICKSTART SPRING	MT280226007	1
3	CENTRADOR MUELLE ARRANQUE / KICKSTART SPRING BUSHING	MT280226053	1
4	CIRCLIP EJE 18 MM / AXIS CIRCLIP	MT280226017	2
5	PIÑÓN ARRANQUE TRIAL 2002 / KICKSTART GEAR	MT280226002	1
6	EJE ARRANQUE TRIAL 2002 / KICKSTARTER SHAFT	MT890102811	1
7	MUELLE FRICCIÓN ARRANQUE / FRICTION KICKSTART SPRING	MT280226006	1
8	CASQUILLO PEDAL ARRANQUE / KICKSTART PEDAL BUSHING	MT280226066	1
9	ARANDELA 18,2X24X0,5 / 18,2X24X0,5 WASHER	T4001824	1
10	TUERCA PEDAL ARRANQUE / KICKSTART PEDAL NUT	MT280226065	1
11	TÓRICA NBR 12X1 / NBR O'RING	MT280226063	4
12	BOLA MUÑEQUILLA PEDAL / KICKSTART PEDAL BALL	ME250036062	1
13	MUELLE MUÑEQUILLA PEDAL / KICKSTART PEDAL SPRING	ME250036066	1
14	TORNILLO UFK M6X25 / M6X25 UFK SCREW	T0316025	1
15	MUÑEQUILLA PEDAL ARRANQUE / KICKSTART PEDAL BASE	MT280226061	1
16	CASQUILLO SUJECIÓN PEDAL / KICKSTART PEDAL BUSHING	MT280226068	1
17	PEDAL ARRANQUE TRIAL RAGA 2012	BT15000033012	1
18	ALLEN M6X35 / M6X35 ALLEN BOLT	T0306035	1
19	CTO EJE Y PIÑÓN ARRANQUE / STARTING SHAFT AND SPROCKET	MT280226002R	



**Selector de cambio /  
Shift cam**

**GASGAS**

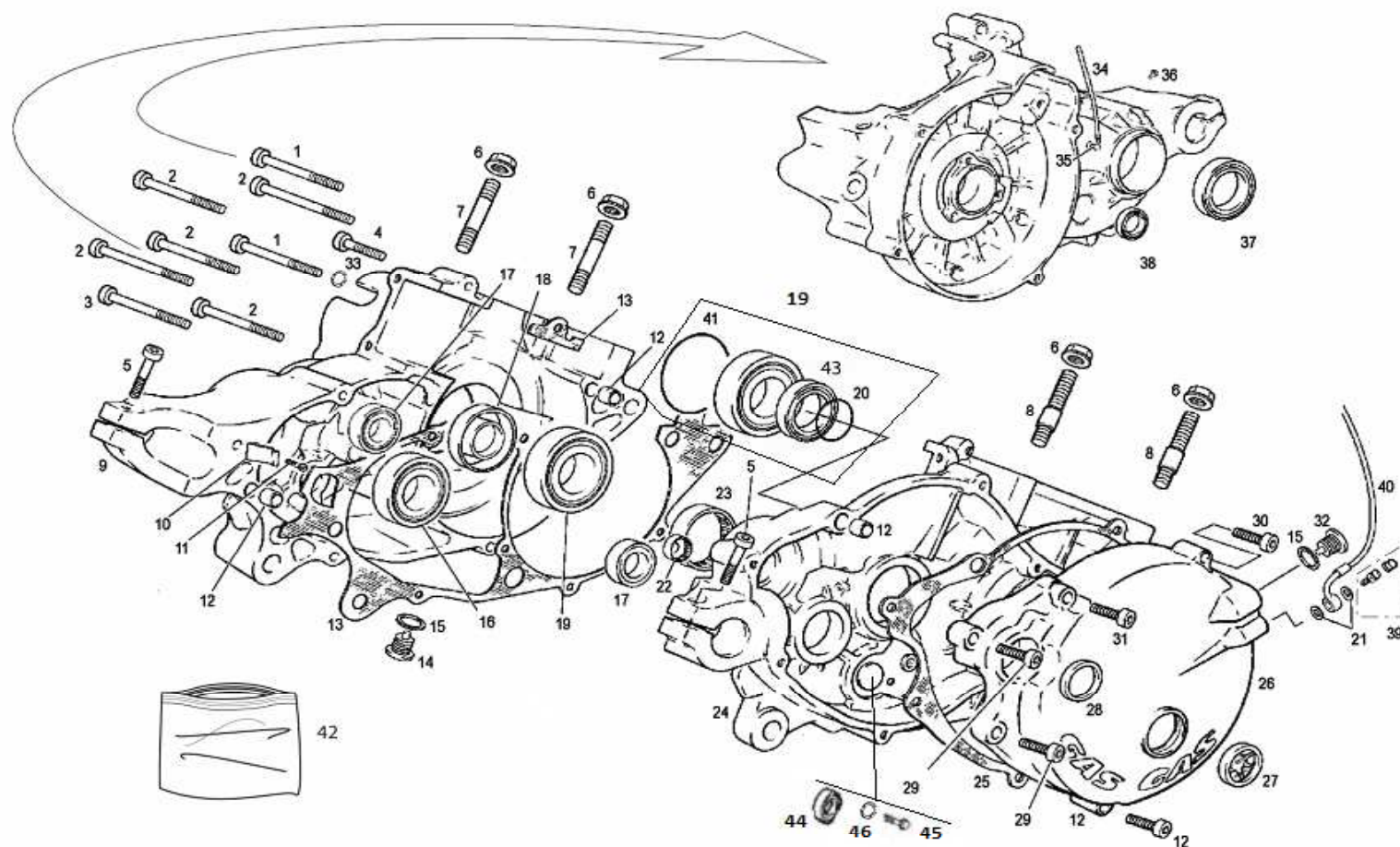
**TXT RAGA 2012**



Nº	DESCRIPCION / DESCRIPTION	250 / 280 / 300	Cant.
1	CTO. PEDAL CAMBIO / GEAR PEDAL COMPLETE	MT280238026	1
2	PUNTERA PEDAL CAMBIO / GEAR PEDAL END	ME25636027	1
3	REMACHE PUNTERA CAMBIO / RIVOT PEDAL END	ME25636030	1
4	MUELLE PUNTERA PEDAL CAMBIO / PEDAL END SPRING	M121000	1
5	COJINETE 12X24X6 2Z DESMO / 12X24X6 2Z DESMO BEARING	MT280238032	2
6	DESMODRÓMICO / SHIFT DRUM	MT280238031	1
7	ARANDELA 12,2X18X0,5 / 12,2X18X0,5 WASHER	T4001218	1
8	ARANDELA 12,2X24X0,5 / 12,2X24X0,5 WASHER	T4001224	1
9	ARANDELA 10,2X24X0,5 / 10,2X24X0,5 WASHER	T4011024	2
10	POSICIONADOR Y MUELLE EJE SELECTOR / SHIFT SHAFT CENTER LOCATOR AND SPRING	MT280238037CT	1
11	RODILLO TRINQUETE SELECTOR / RATCHET ROLLER	MT280238040	2
12	AGUJA 3X13,8 / 3X13,8 NEEDLE	MT280238048	4
13	TRINQUETE SELECTOR / RATCHET ARM SELECTOR	MT280238036	2
14	MUELLE TRINQUETE SELECTOR / RATCHET SEL. SPRING	MT280238039	2
15	CIRCLIP E10 EJE / E10 SHAFT CIRCLIP	M03314011	1
16	HORQUILLA PRIMARIA / SHIFT FORK PRIMARY	MT280238009	1
17	EJE HORQUILLA LARGO / LONG FORK SHAFT	MT280238044	1
18	EJE HORQUILLA CORTO / SHORT FORK SHAFT	MT280238045	1
19	HORQUILLA 2-4-5-6 / 2-4-5-6 FORK	MT280238007	1
20	HORQUILLA 1-3 / 1-3 FORK	MT280238008	1
21	TOPE MUELLE FIJADOR / SPRING REST POST	MT280238049	1
22	MUELLE FIJADOR MARCHAS / GEAR SELECTOR SPRING	MT280238034	1
23	FIJADOR MARCHAS / GEAR SELECTOR ARM AND ROLLER	MT280238033	1
24	TOPE MUELLE EJE SELECTOR / SELECTOR SPRING TOP SHAFT	MT280238050	1
25	ALLEN 5X25 DACROMET / 5X25 DACROMET ALLEN BOLT	T0305025	1
26	ALLEN 5X20 / 5X20 ALLEN	T0305020	1
27	HEXAGONAL 5X25 CON ARANDELA / HEXAGONAL BOLT WITH WASHER	BT280010086	1
28	CONJUNTO EJE SELCTOR / SHIFT SHAFT SET	MT280238043	1
29	ALLEN 5X15 / 5X15 ALLEN	T0305015	1

**GASGAS**

**Motor 2**

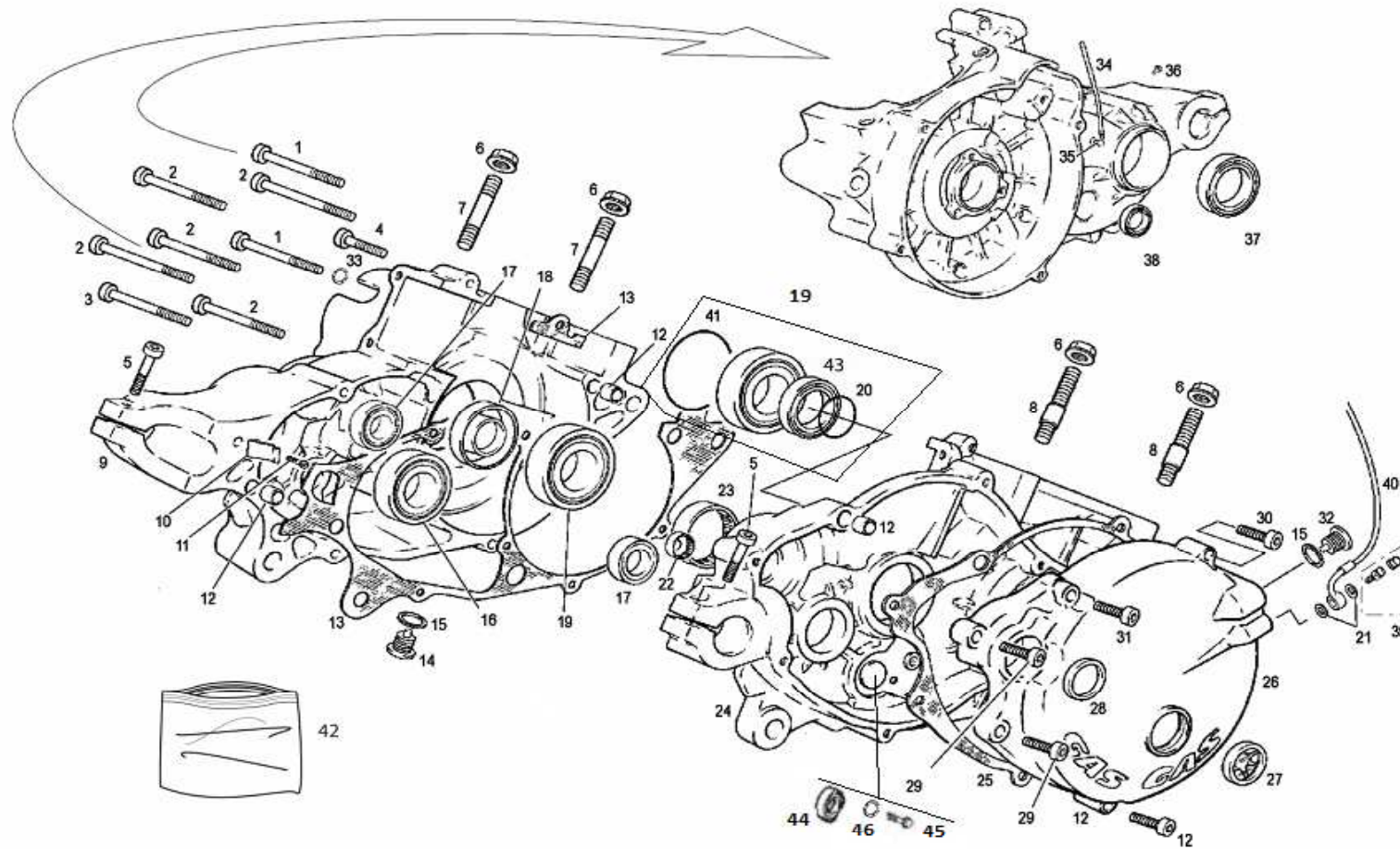


Nº	DESCRIPCION / DESCRIPTION	250 / 280 / 300	Cant.
1	ALLEN 5X65 ZINCADO NEGRO / 5X65 BLACK ALLEN BOLT	T0315065	2
2	ALLEN 5X55 ZINCADO NEGRO / 5X55 BLACK ALLEN BOLT	T0305055	5
3	ALLEN 5X75 ZINCADO NEGRO / 5X75 BLACK ALLEN BOLT	T0315075	1
4	ALLEN 5X35 DACROMET / 5X35 DACROMET ALLEN BOLT	T0305035	1
5	ALLEN 5X20 DACROMET / 5X20 DACROMET ALLEN BOLT	T0305020	2
6	TUERCA CILINDRO 8.8 ESP / CILINDER NUT	M01613001	4
7	ESPÁRRAGO CILINDRO / BASE STUD CYLINDER LEFT	MT280216023	2
8	ESPÁRRAGO CON CENTRAJE / BASE STUD CYLINDER RIGHT	MT280216056	2
9	CÁRTER MG. IZQUIERDO TRIAL / LEFT CRANKCASE HALF	MT280310001RA	1
10	TOPE ARRANQUE TRIAL / STOP KICKSTART PEDAL	MT280226011	1
11	ALLEN 5X15 DACROMET / 5X15 DACROMET ALLEN BOLT	T0305015	1
12	CASQUILLO CENTRADOR CÁRTER 6X9X14 / CRANKCASE BUSHING	M01017000	4
13	JUNTA CÁRTER CENTRAL 0.2 MM / CENTER CRANKCASE GASKET	MT280344001	1
14	TAPÓN VACIADO ACEITE CON IMÁN / MAGNETIC OIL DRAIN PLUG	ME25610017	1
15	ARANDELA TIPO BUJÍA 12X18X2 / WASHER	MT280410030	2
16	COJINETE 25X47X12 / 25X47X12 / BEARING	MT280236159	1
17	COJINETE 15X32X9 6002 2RSL CAMBIO / BEARING GEAR	MT280236160	2
18	RETÉN 25X35X7 TEFLÓN CIGUEÑAL IZQUIERDO / OIL SEAL CRANK SHAFT	MT280212009	1
19	COJINETE CIGUEÑAL ST5225 / ST5225 CRANKSHAFT BEARING	MT31000CT2811	2
20	TÓRICA 25X1.5 NBR / O'RING	MT280212025	2
21	ARANDELA AM 10X14X1.5 / WASHER	BT280422007	2
22	COJINETE BK1412 ARRANQUE TRIAL / KICKSTART BEARING	MT280226067	1
23	COJINETE 35X45X12 NQ (EJE PRIMARIO) / 35X45X12 BEARING	MT280236158	1
24	CARTER MG DERECHO TRIAL RAGA 2012	MT1000033012	1
25	JUNTA TAPA EMBRAGUE / CLUTCH COVER GASKET	MT280244002	1
26	TAPA EMBRAGUE MG TRIAL / CLUTCH COVER	MT280532001RA	1
27	VISOR NIVEL ACEITE EC400-4T / OIL LEVEL SIGHT GLASS	MFS400110015	1
28	RETÉN 18-24-4 TRIAL 2002 / 18-24-4 4 KICKSTART SHAFT SEAL	MT280226016	1
29	ALLEN 5X25 DACROMET / 5X25 DACROMET ALLEN BOLT	T0305025	2
30	ALLEN 5X30 DACROMET / 5X30 DACROMET ALLEN BOLT	T0305030	2
31	ALLEN 5X40 DACROMET / 5X40 DACROMET ALLEN BOLT	T0305040	1
32	TAPÓN LLENADO ACEITE / OIL FILL PLUG	M01016002	1
33	ARANDELA 5X9X1,5 COBRE / 5X9X1,5 WASHER	T4000509	1

**GASGAS**

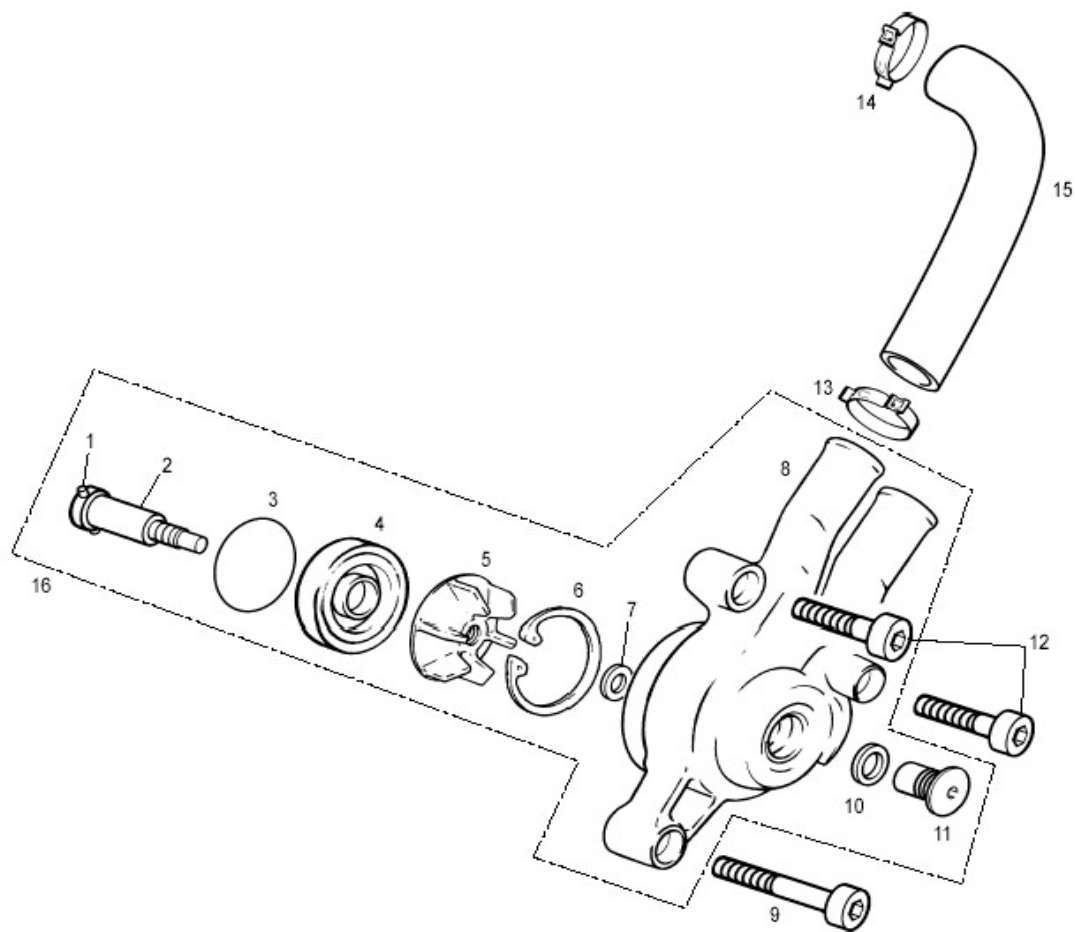
**Motor 3**



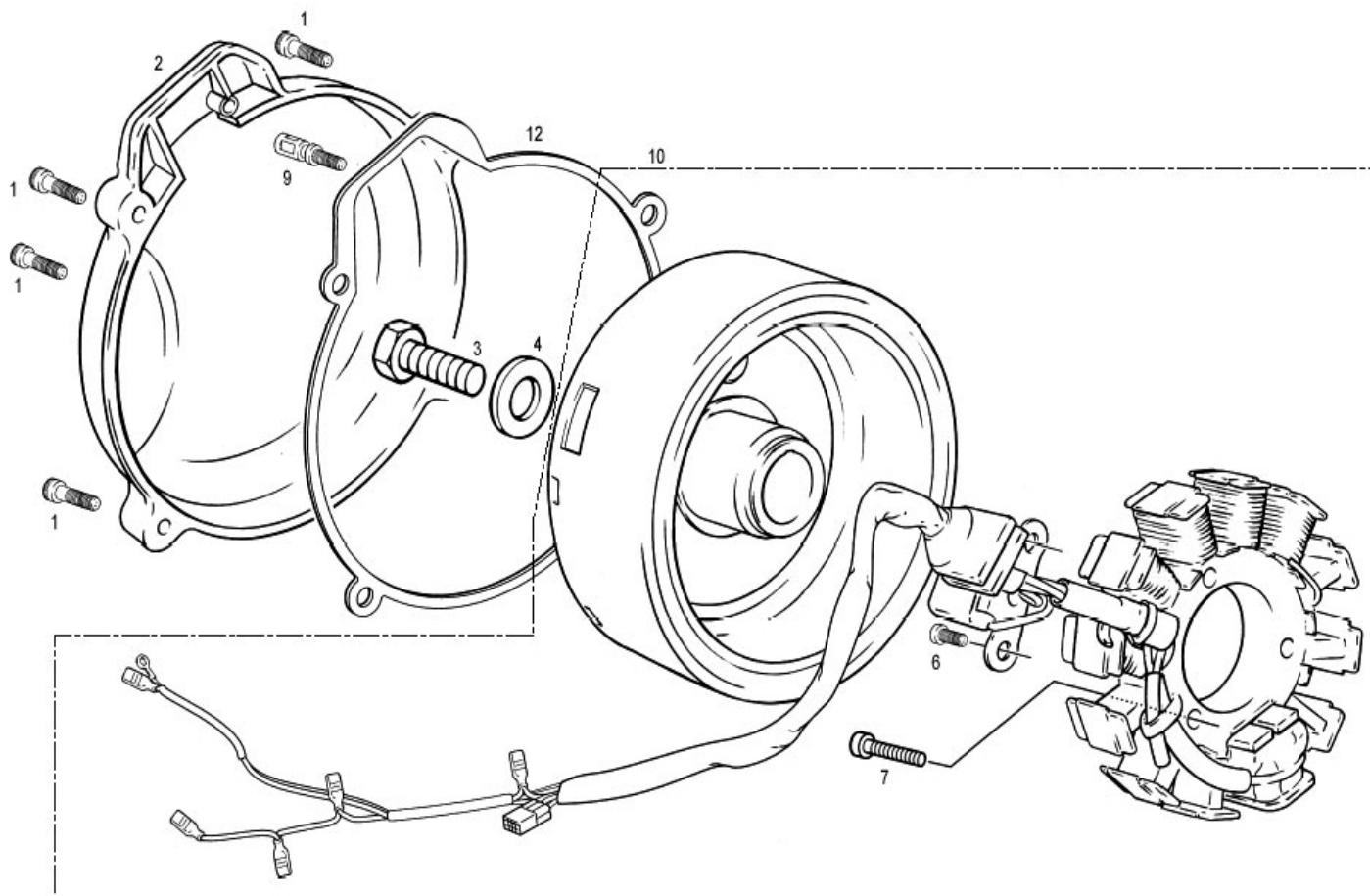


Nº	DESCRIPCION / DESCRIPTION	250 / 280 / 300	Cant.
34	TUBO DESVAPORIZADOR / DESVAP. HOSE	MT280210012	1
35	DESVAPORIZADOR / DESVAP.	MIT50010012	1
36	TAPÓN PASO ACEITE CÁRTER / OIL CARTER PLUG	MT280210021	1
37	RETÉN 30X40X7 / 30X40X7 SEAL	ME25636024	1
38	RETÉN EJE SELECTOR / AXLE SEAL	MT280236048	1
39	RACORD PINZA EMBRAGUE HIDRÁULICO / HIDRAULIC CLUTCH RACORD	BT280522106	1
40	LATIGUILLO EMBRAGUE / CLUTCH HOSE	BT280522003	1
41	TÓRICA COJINETE CIGU. 49X1.5 NBR / O'RING 49X1.5 NBR	MT280512028	2
42	KIT JUNTAS TXT PRO / TXT PRO GASKET SET	MT280244100	1
43	RETEN CIGÜEÑAL / CRANK SHAFT SEAL	MT280412006/1	2
44	RODA.EJE CENTRI.Y BOMBA 608.Z.C3	ME25616032	1
45	ALLEN 5x12	T0305012	1
46	ARANDELA PLANA 5x15x1,5	T4005015	1

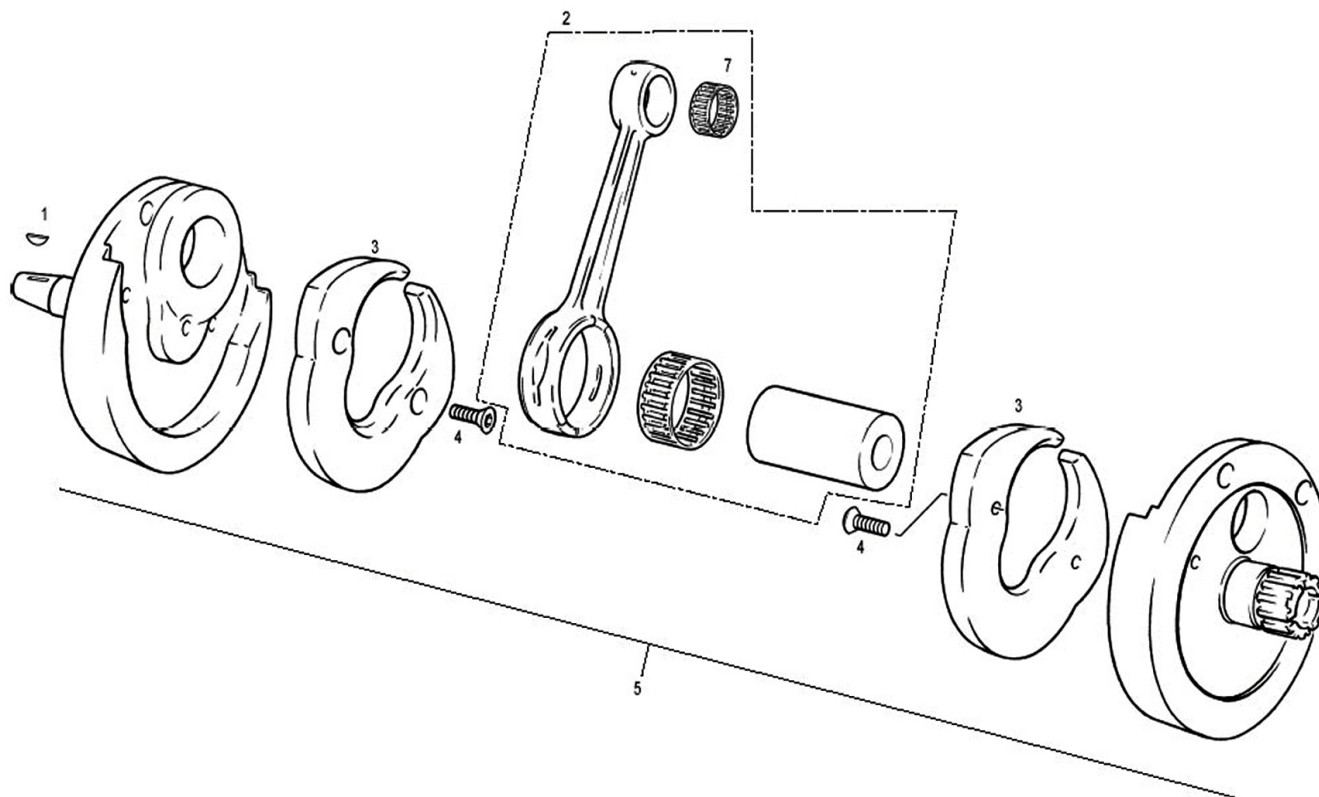
**GASGAS**      **Motor 3**



Nº	DESCRIPCION / DESCRIPTION	250 / 280 / 300	Cant.
1	PASADOR 3X22 EJE BOMBA / PUMP AXIS PIN	MT280218009	1
2	EJE BOMBA AGUA / AXLE TURBINE	MT280418006	1
3	TÓRICA 37X1.5 TAPA BOMBA AGUA / O-RING WATER PUMP COVER	MT280218008	1
4	RETÉN 10X35X7 DUO FKM / WATER PUMP SEAL	MT280210020	1
5	TURBINA BOMBA AGUA / WATER PUMP TURBINE	MT280218007	1
6	CIRCLIP 35 BOMBA AGUA / WATER PUMP CIRCLIP	MT280210019	1
7	ARANDELA TURBINA TRIAL / TURBINE WASHER	MT280218011	1
8	TAPA BOMBA AGUA / WATER PUMP COVER	MT280210008	1
9	ALLEN M5X40 DACROMET / M5X40 DACROMET ALLEN BOLT	T0305040	1
10	ARANDELA NYLON / NYLON WASHER	MT280218012	1
11	CASQUILLO BOMBA AGUA TRIAL 2002 / WATER PUMP BUSHING	MT280218002	1
12	ALLEN M5X35 DACROMET / M5X35 DACROMET ALLEN BOLT	T0305035	2
13	ABRAZADERA 20 / 20 CLAMP	L200035	1
14	ABRAZADERA COBRA 19 / 19 CLAMP	L200043	1
15	TUBO BOMBA – CILINDRO / PUMP TO CILINDER HOSE	BT280232017	1
16	CTO. TAPA BOMBA TRIAL PRO / COVER PUMP SET	MT280210008CT	1

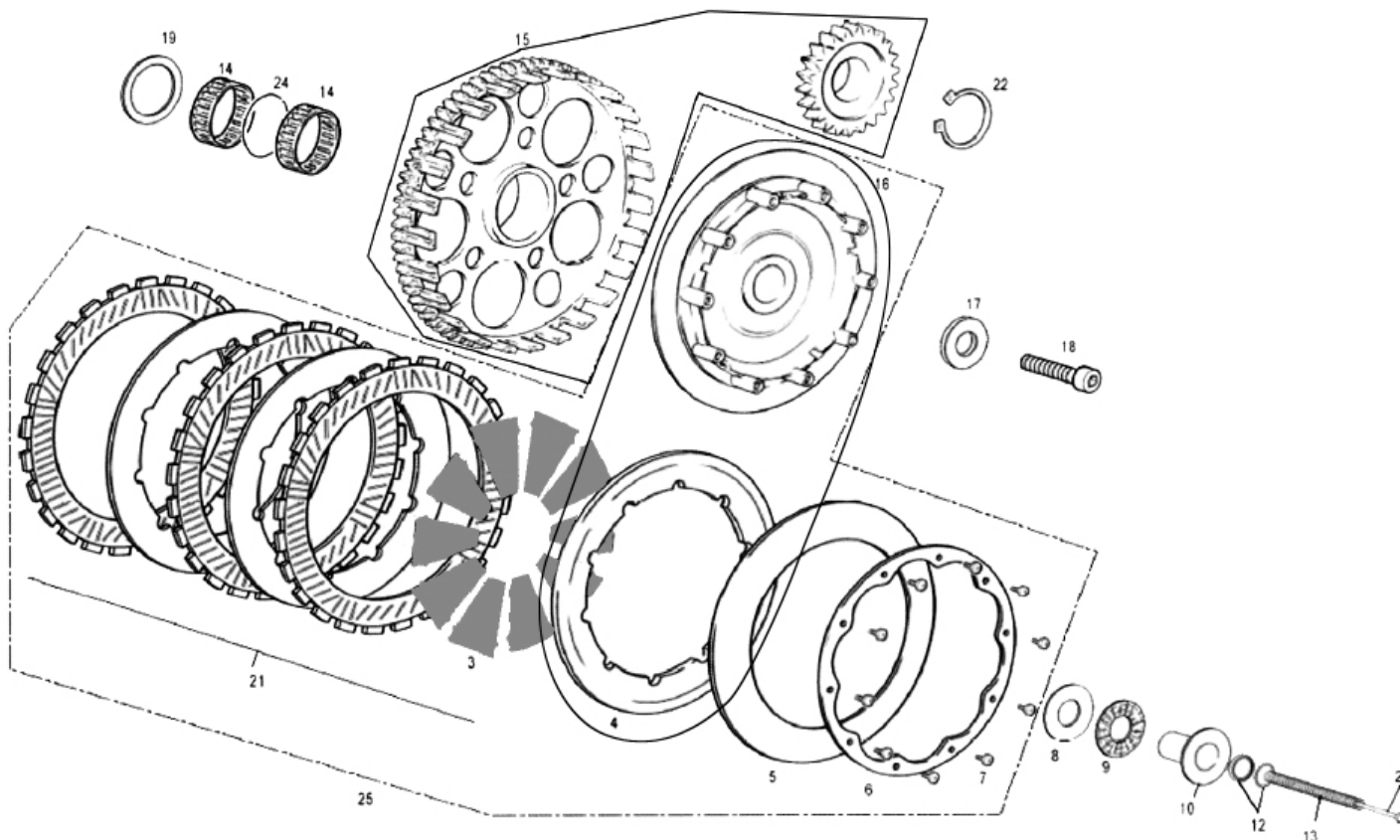


Nº	DESCRIPCION / DESCRIPTION	250 / 280 / 300	Cant.
1	ALLEN 5X20 / 5X20 ALLEN BOLT	T0305020N	5
2	TAPA ENCENDIDO TRIAL SXXI / COVER FLY-WHEEL	MT280710004	1
3	TORNILLO M10X25 / M10X25 SCREW	T0101025/2	1
4	ARANDELA GRUESA 10X23X4 / 10X23X4 WASHER	T4001024	1
7	ALLEN UFK NEGRO 5X25 / UFK 5X25 BLACK ALLEN BOLT	T0315025N	3
9	TORNILLO PICK UP TRIAL 2003 / PICK UP TRIAL 2003 SCREW	MT280334018	1
10	CTO. ENCENDIDO PRO 2005 / IGNITION SET	ET700002808	1
12	JUNTA TAPA VOLANTE ENCENDIDO / COVER FLY WHEEL GASKET	MT280344004	1

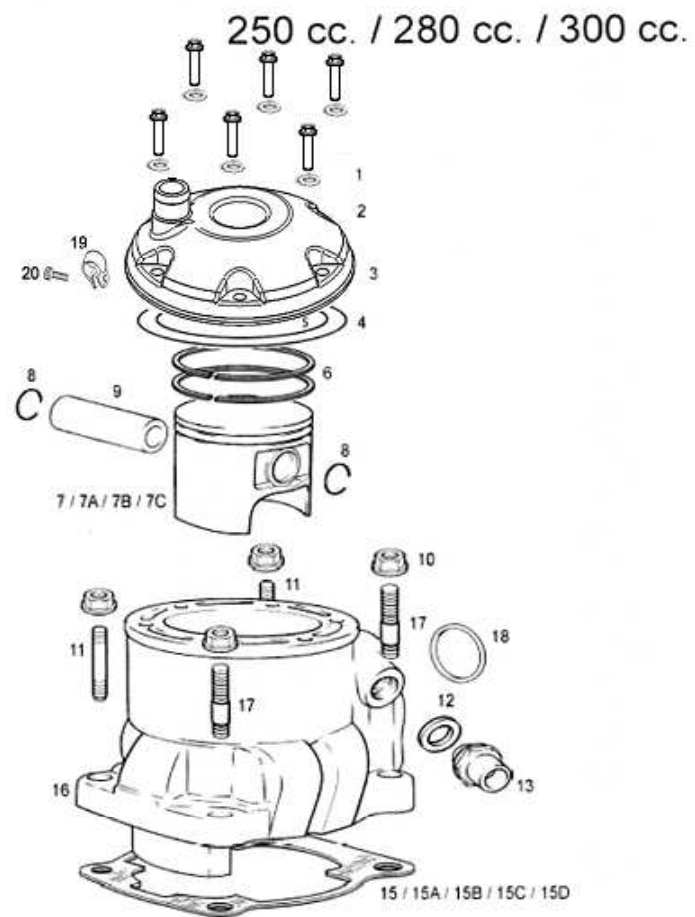








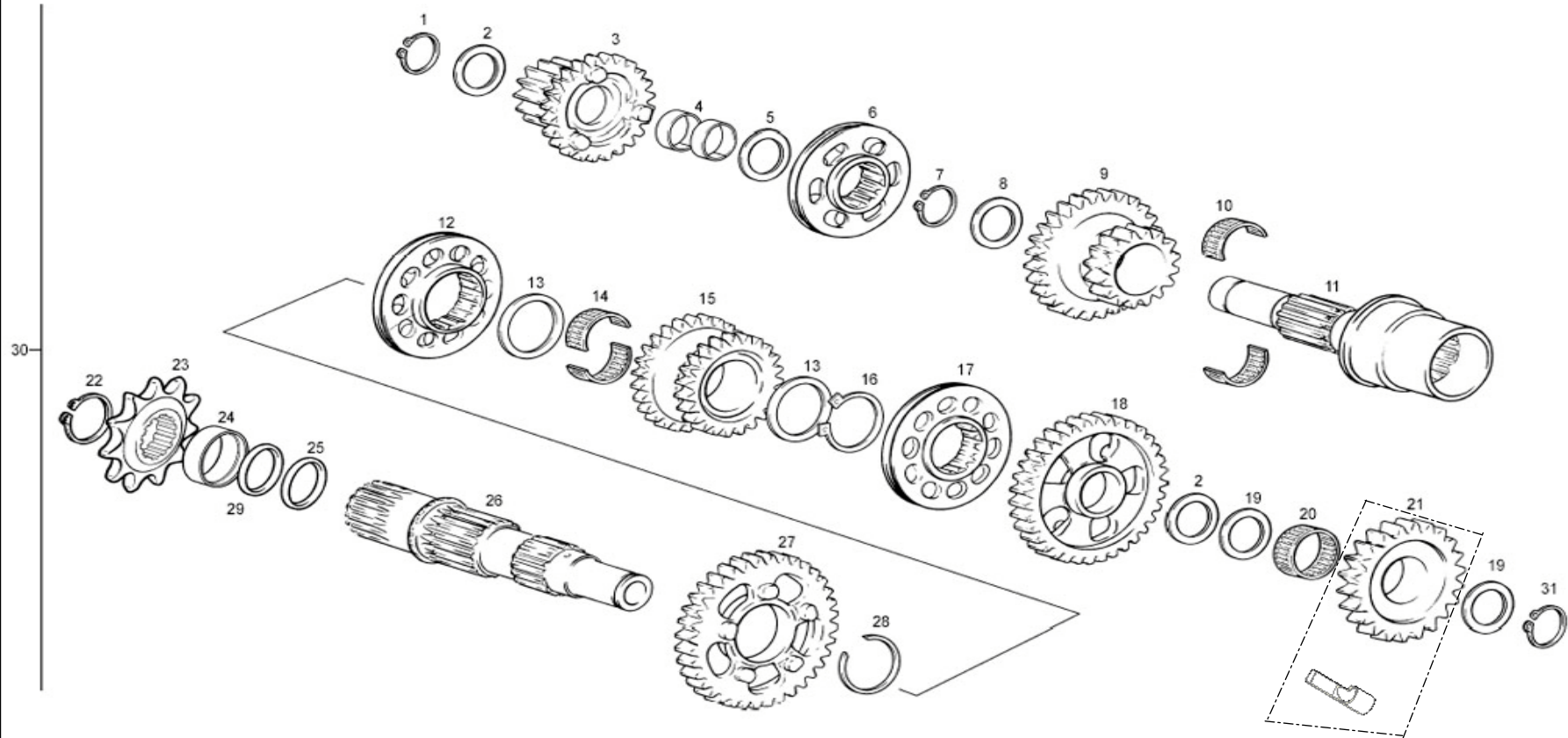
Nº	DESCRIPCION / DESCRIPTION	250 / 280 / 300	Cant.
3	DESMULTIPLICADOR EMBRAGUE TRIAL / CLUTCH RELEASE ARM	MT280632070	10
4	PRENSA EMBRAGUE TRIAL SXXI / PRESSURE PLATE	MT280632006	1
5	MUELLE EMBRAGUE TRIAL / CLUTCH SPRING	MT280632015	1
6	SOPORTE MUELLE EMBRAGUE / CLUTCH SPRING SUPPORT PLATE	MT120632045	1
7	ULS ESPECIAL PRENSA 4X10 / PRESSURE PLATE ULS BOLT	MT280332077	10
8	BOLET EMBRAGUE TRIAL 2003 / BEARING PLATE	MT280332014	1
9	COJINETE PRENSA EMBRAGUE AXK 17X30X2 / BEARING, CLUTCH END PLATE	MT280232043	1
10	PISTÓN BOMBIN EMBRAGUE TRIAL 2003 / CLUTCH PUMP PISTON	MT280332040	1
12	TÓRICA FKM / FKM O'RING	MT280432047	2
13	MUELLE PISTÓN EMBRAGUE TRIAL SXXI / CLUTCH PISTON SPRING	MT280332018	1
14	COJINETE G95 CORONA EMBRAGUE / CLUTCH BEARING	MT280432039	2
15	CTO. CORONA EMBRAGUE Y PIÑON TRIAL SXXI / OVERALL CROWN CLUTCH AND GEAR	MT280232003CT	1
16	CUBO EMBRAGUE SXXI / CLUTCH HUB	MT280632005CT	1
17	CASQUILLO SUJECIÓN EMBRAGUE / CLUTCH HUB BUSHING	MT280232080	1
18	ALLEN UFK 5X20 SUJECIÓN CUBO TRIAL 280 / CLUTCH HUB BOLT	MT280232081	1
19	ARANDELA 30.2X38X0.5 EMBRAGUE / CLUTCH WASHER	T4003038	1
21	CTO. DISCOS EMBRAGUE TRIAL 2004 / 2004 CLUTCH DISC SET COMPLETE	MT280432055	1
22	CIRCLIP E25 CIGÜEÑAL / CRANKSHAFT E25 CIRCLIP	MT280212023	1
23	GUÍA MUELLE PISTÓN / PISTON SPRING GUIDE	MT280432065	1
24	CIRCLIP CORONA EMBRAGUE / CLUTCH CIRCLIP	MT280432139	1
25	CTO. EMBRAGUE TRIAL PRO (HAMBURGUESA) / CLUTCH SET	MT280732069	1



Nº	DESCRIPCION / DESCRIPTION	250	280	300	Cant.
1	TORNILLO EXAGONAL CON ARANDELA 6X25 / 6X25 BOLT		T0206025	-	6
2	ARANDELA COBRE 6X10X1.5 / 6X10X1.5 WASHER		T4006008	-	6
3	CULATA TRIAL 2003 / CYL. HEAD	MT750002510	MT750002810	MT750003010	1
4	TÓRICA CULATA EXTERIOR / O'RING CYL. EXTERIOR	-	M01619135	-	1
5	TÓRICA CULATA INTERIOR / O'RING CYL. INTERIOR	M01619215	M01619215	MT300416065	1
6	AROS PISTÓN / PISTON RING	MT250516040	MT710012808	MT710203010	2
7	PISTÓN TRIAL SXXI / PISTON TRIAL	MT250516020	MT71000CT2808	MT710003010	1
7A	PISTÓN LETRA B / PISTON B	MT250516121	MT71001CT2808	MT710013010	1
7B	PISTÓN LETRA C / PISTON C	MT250516122	MT280216122	MT300316122	1
7C	PISTÓN LETRA D / PISTON D	MT250516123	MT280216123	-	1
8	CIRCLIP PISTÓN / CLIP PISTON		MT280216126	-	2
9	BULÓN PISTÓN / PIN PISTON		MT280216125	-	1
10	TUERCA CILINDRO / CYLINDER NUT		M01613001	-	4
11	ESPÁRRAGO CILINDRO / STUD BOLT CYLINDER		MT280216023	-	2
12	ARANDELA PLANA FIBRA / FIBER WASHER		M01612026	-	1
13	RACORD CILINDRO / CYLINDER WATER HOSE NECK		MT280210013	-	1
14	ADAPTADOR CILINDRO / CYLINDER ADAPTER		-	-	1
15	JUNTA CILINDRO 0,8 mm. / 0,8 mm. GASKET CYLINDER BASE		MT280244000	-	1
15A	JUNTA CILINDRO 0,3 mm. / 0,3 mm GASKET CYLINDER BASE		MT280244009	-	1
15B	JUNTA CILINDRO 1 mm. / 1 mm. GASKET CYLINDER BASE		MT280244010	-	1
15C	JUNTA CILINDRO 0,5 mm. / 0,5 mm. GASKET CYLINDER BASE		-	-	1
15D	JUNTA CILINDRO 0,15 mm. / 0,15 mm. GASKET CYLINDER BASE		MT280244015	-	1
16	CILINDRO TRIAL / CYLINDER	MT70002509	MT70002809	MT70003009	1
17	ESPÁRRAGO CON CENTRAJE / STUD WITH CENTER		MT280216056	-	2
18	JUNTA ESCAPE / EXHAUST GASKET		MT280244012	-	1
19	GRAPA SUJECCION CABLES / WIRE SUPPORT		ET750502809	-	1
20	ALLEN 4X6 ZINCADO / M4X6 ALLEN		T0304006	-	1
21	CTO. CILINDRO Y PISTON / SET CYLINDER AND PISTON	MT70000CT2509	MT70000CT2809	MT70000CT3009	1

**GASGAS**

**Motor 8**

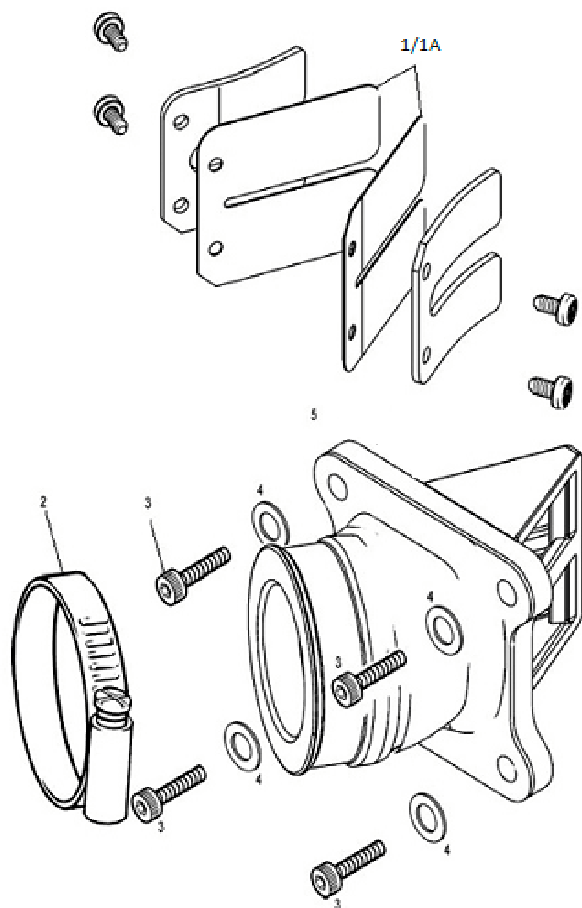


Nº	DESCRIPCION / DESCRIPTION	250 / 280 / 300	Cant.
1	CIRCLIP E15 DIN471 / E15 CIRCLIP	MT280236163	2
2	ARANDELA 15,2X23X0,5 / 15,2X23X0,5 WASHER	T4001523	4
3	PIÑÓN 2 / PINION 2	MT280236071	1
4	DOLLA / BUSHING	MT280236164	2
5	ARANDELA 17X23X0,5 / 17X23X0,5 WASHER	T4001723	1
6	DESPLAZABLE PRIMARIO / PRIMARY SELECTOR DISC	MT280236073	1
7	CIRCLIP E20 DIN 471 REBAJADO / E20 CIRCLIP	MT280236165	1
8	ARANDELA 20X25X0,5 / 20X25X0,5 WASHER	T4002025	1
9	PIÑÓN 3 / PINION 3	MT280236072	1
10	JAULA AGUJAS / NEEDLE BEARING	MT280236162	2
11	EJE PRIMARIO / PRIMARY SHAFT	MT280236070	1
12	DESPLAZABLE 2 SECUNDARIO / SECONDARY SELECTOR DISC	MT280236080	1
13	ARANDELA 22X27X0,5 / 22X27X0,5 WASHER	T4002227	2
14	JAULA AGUJAS / NEEDLE BEARING	MT280236161	2
15	PIÑÓN 5 / PINION 5	MT280236078	1
16	CIRCLIP E22 DIN471 / E22 CIRCLIP	MT280236166	1
17	DESPLAZABLE 3 SECUNDARIO / SECONDARY SELECTOR DISC	MT280236079	1
18	PIÑÓN 3 SECUNDARIO / SECONDARY 3 GEAR	MT280236076	1
19	ARANDELA / WASHER	M02622001	2
20	JAULA AGUJAS / NEEDLE BEARING	MT280226015	1
21	KIT PIÑON INTERMEDIO Y TOPE DE ARRANQUE / KIT GEAR AND STOP KICK START PEDAL	MT880002810	1
22	CIRCLIP E25 / E25 CIRCLIP	MT280212023	1
23	PIÑÓN CADENA SALIDA / SPROCKET, COUNTERSHAFT z.11	MT280236525	1
23B	PIÑÓN CADENA SALIDA / SPROCKET, COUNTERSHAFT z.09	MT120236526	1
23C	PIÑÓN CADENA SALIDA / SPROCKET, COUNTERSHAFT z.10	MT200236525	1
24	CASQUILLO RETÉN SALIDA CAMBIO / SHIFT SEAL BUSHING	MT280236046	1
25	TÓRICA 25X2 NBR / NBR 25X2 O'RING	ME25632025	1
26	EJE SECUNDARIO / SECONDARY SHAFT	MT280236075	1
27	PIÑÓN 2 SECUNDARIO / SECONDARY 2 GEAR	MT280236077	1
28	CIRCLIP SW25 / SW25 CIRCLIP	MT280236167	1
29	TÓRICA 25X1,5 NBR / 25X1,5 O'RING	MT280212025	1
30	CTO. CAMBIO TRIAL / TRANSMISSION COMPLETE	MT280236010	1
31	CLIP DE 15MM PIÑÓN INT. ARRANQUE / 15MM. CIRCLIP	MT280236163	1

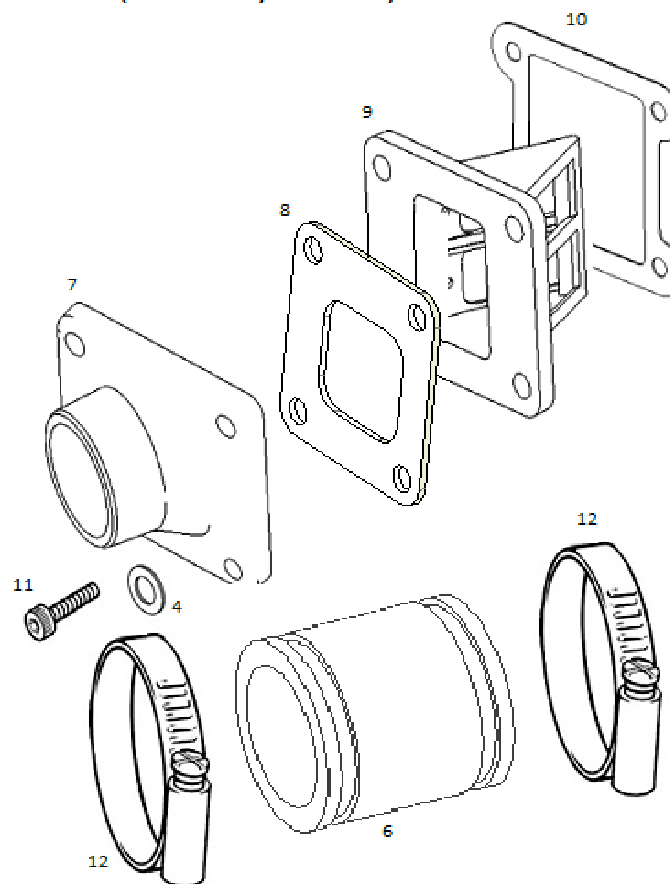
**GASGAS**

**Motor 9**

(PARA DELLORTO / FOR DELLORTO)

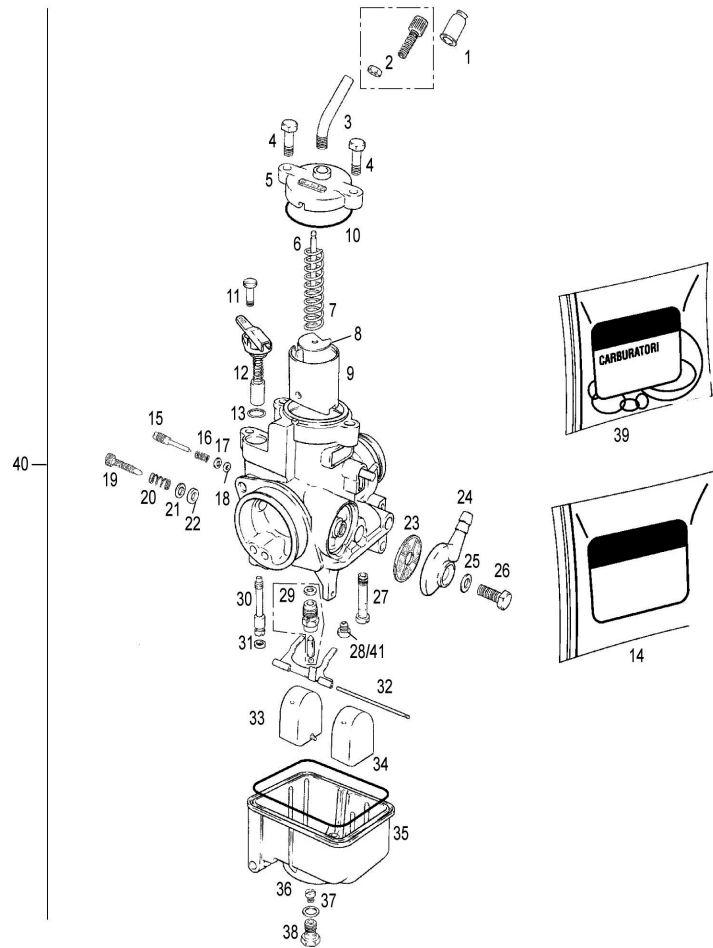


(PARA KEIHIN / FOR KEIHIN)



Nº	DESCRIPCION / DESCRIPTION	280 / 300	250 / 280 / 300	Cant.
1	JUEGO LÁMINAS ADMISIÓN / REEDS SET		MT280416041	2
1A	LAMINA ADMISION KEIHIN / KEIHIN ADMISION REED		M01616000	2
2	ABRAAZADERA S/44/9 WU		BT280328038	1
3	ALLEN 5X15 DACROMET / 5X15 DACROMET ALLEN BOLT		T030515	4
4	ARANDELA 5X12X1,5 / 5X12X1,5 WASHER		T4005012	4
5	CAJA LÁMINAS TRIAL / REED BLOCK ASSY		MT280416021	1
6	ADAPTADOR TUBERA (KEIHIN) / RUBBER ADAPTATOR (KEIHIN)		MT300616133	1
7	TUBERA ADM.TRIAL ALUMINIO (KEIHIN) / ALUMINIUM ADM.TRIAL RUBBER (KEIHIN)		MT300616131	1
8	JUNTA CAJA LÁMINAS-TUBERA (KEIHIN) / REED VALVE GASKET - RUBBER (KEIHIN)		MT300644105	1
9	CAJA LAMINAS (KEIHIN) / REED VALVE (KEIHIN)		M01617200	1
10	JUNTA TUBERA (KEIHIN)/ RUBBER GASKET (KEIHIN)		M04416003	1
11	ALLEN 5X20 DRACOMET		T0305020	4
12	ABRAZADERA S30-49/9 W2		B640005	2





Nº	DESCRIPCION / DESCRIPTION	250 / 280 / 300	Cant.
1	CAPUCHÓN TENSOR CABLE GAS / ADJ. TENSION THROTTLE CABLE	M09001055	1
2	CTO. TENSOR CABLE / CABLE TENSION SET SCREW	M09001230	1
3	TENSOR CABLE GAS / CABLE TENSION TUBE	M09001032	1
4	TORNILLO TAPA CARBURADOR / SCREW COVER CARBURETOR	M09001025	2
5	TAPA CARBURADOR / COVER CARBURETOR	M09001156	1
6	AGUJA D36 3º PUNTO / NEEDLE D36	M09003136	1
7	MUELLE COMPUERTA / SPRING SLIDE	M09001015	1
8	PLANCHA SUJECIÓN CABLE GAS / CABLE RETAINER PLATE	M09001010	1
9	COMPUERTA / VALVE SLIDE	M09002060	1
10	TÓRICA TAPA CARBURADOR / O	M09001050	1
11	TORNILLO SUJ. STARTER / CHOKE SCREW	M09001110	1
12	MANDO STARTER / CHOKE LEVER ASSY.	M09001105	1
13	TÓRICAS STARTER / CHOKE O'RING	M09001065	1
14	KIT CARBURACIÓN / CARBURETOR KIT	MT280690100	1
15	TORNILLO REG. ENTRADA AIRE / REG. ENTRANCE SCREW	M09001115	1
16	MUELLE TORNILLO REG. AIRE / SPRING SCREW REG. AIR	M09001120	1
17	ARANDELA TORN. REG. AIRE / WASHER SCREW BOLT REG. AIR	M09001125	1
18	TÓRICA TORNILLO REG. AIRE / O'RING SCREW BOLT REG. AIR	M09001075	1
19	TORNILLO REG. COMPUERTA / SCREW BOLT REG. SLIDE	M09001035	1
20	MUELLE TORNILLO REG. COMPUERTA / SPRING SCREW SLIDE	M09001040	1
21	ARANDELA TORNILLO REG. COMP. / WASHER SCREW REG. SLIDE	M09001045	1
22	TÓRICA TORNILLO REG. COMP. / O'RING SCREW REG. SLIDE VALVE	M09001060	1
23	JUNTA PIPETA GASOLINA / FUEL FILTER DISC	M09001095	1
24	PIPETA ENTRADA GASOLINA / FUEL ENTRY TUBE	M09001135	1
25	JUNTA TORNILLO PIPETA / GASKET SCREW BOLT	M09001100	1
26	TORNILLO PIPETA / BOLT	M09001140	1
27	EMULSOR / NEEDLE JET	M09005271	1
28	CHICLE RALENTÍ 30 / JET SLOW 30	M09004035	1
29	VÁLVULA FLOTADOR / FLOAT VALVE	M09001200	1
30	CHICLE STARTER 60 / JET CHOKE 60	M09007060	1
31	TÓRICA CHICLE STARTER / O'RING JET CHOKE	M09001070	1
32	EJE FLOTADOR / FLOAT SHAFT	M09001145	1
33	FLOTADOR 2X2 / FLOAT 2X2	M09008036	2

**GASGAS**

**Motor 11**

