



***GASGAS***  
**2012**

**TXT RACING 2012**

**125-280-300**

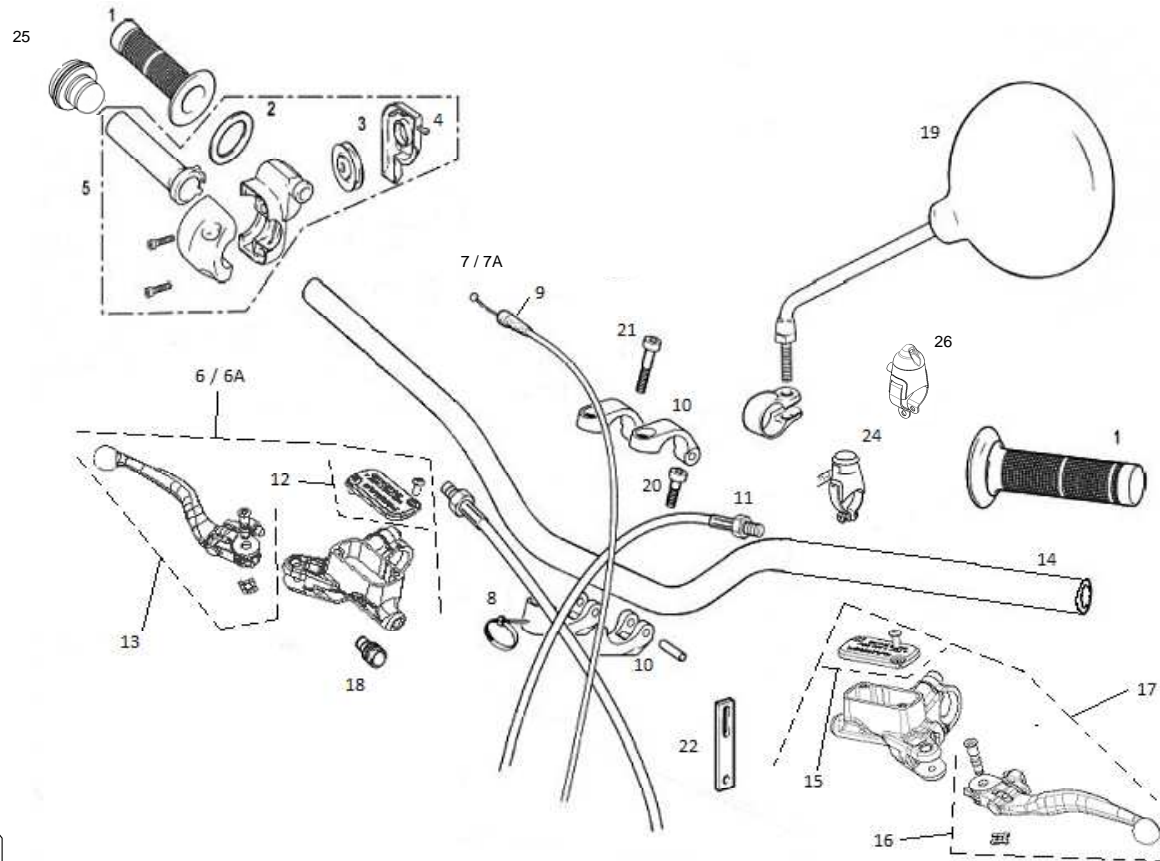
**DESPIECE / / PART LIST**



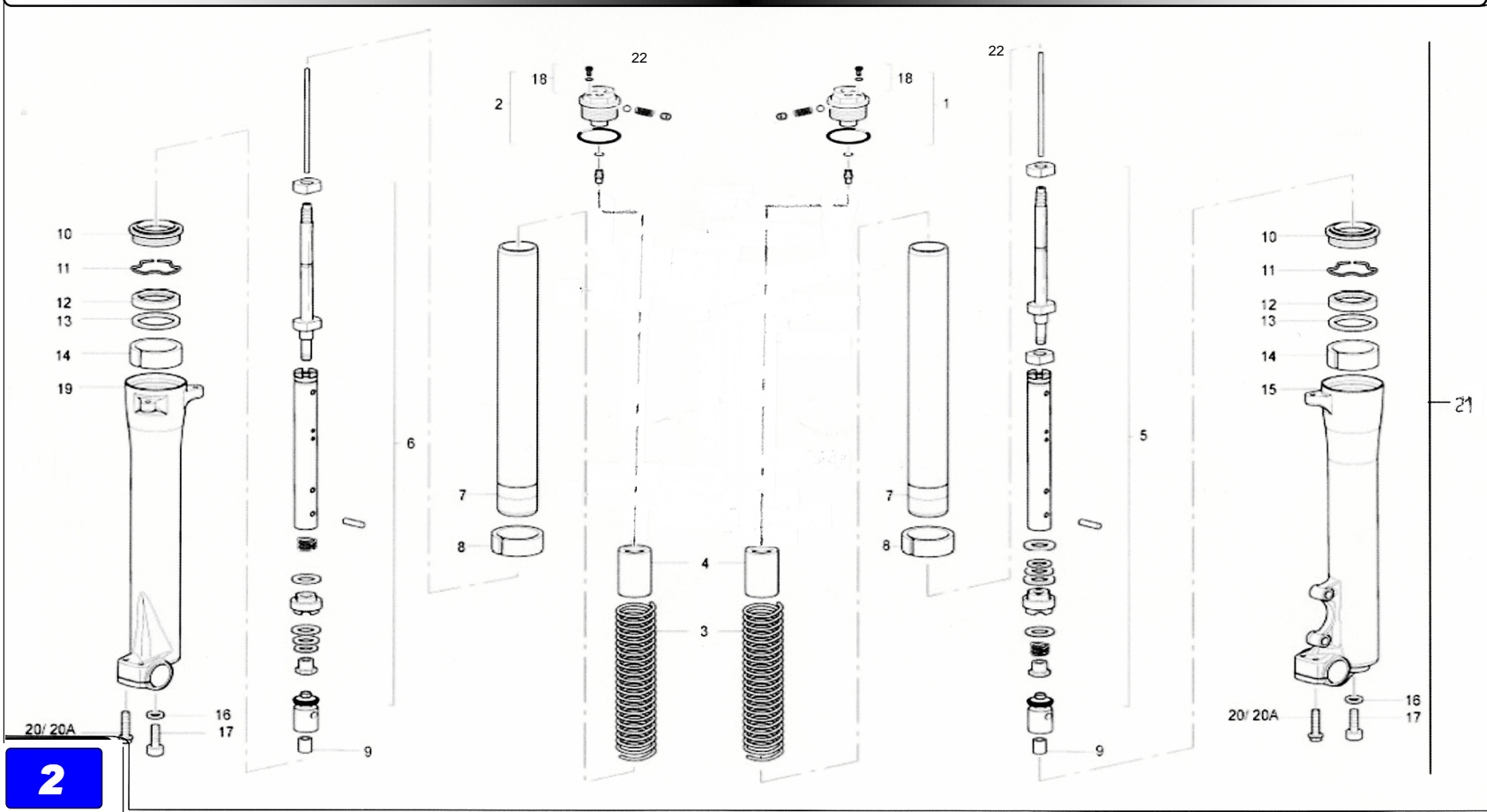
*TECHNOLOGY  
&  
MOTION*

***GASGAS***

NOVIEMBRE / NOVEMBER / NOVEMBRE / NOVEMBRE / NOVEMBER 2012

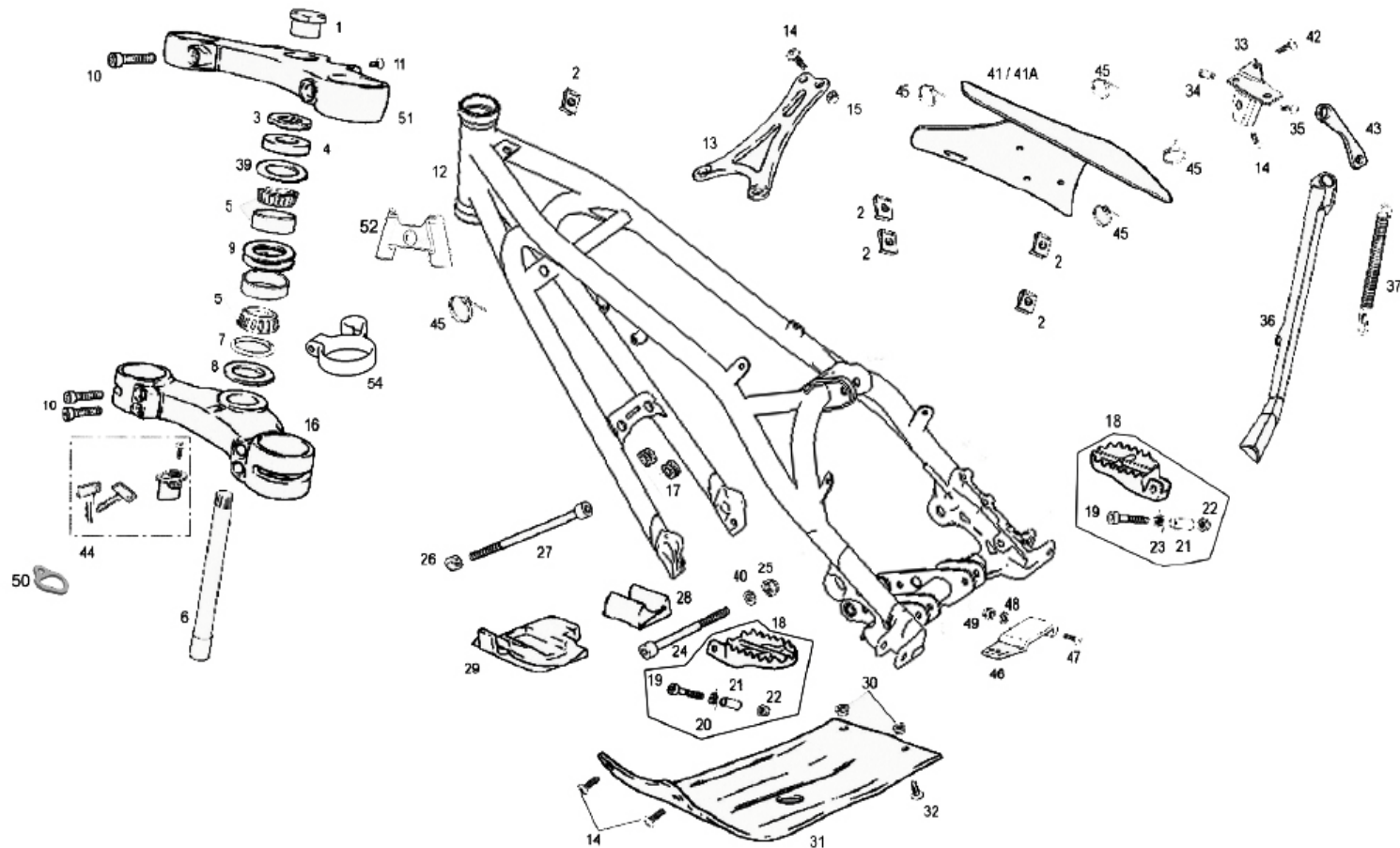


Nº	DESCRIPCION / DESCRIPTION	125 / 280 / 300	Cant.
1	JUEGO EMPUÑADURAS RENTHAL G096A	BT26100RA3010	1
2	ARANDELA MANDO GAS / TWIST GRIP WASHER	BT27922078	1
3	RODILLO MANDO GAS / TWIST GRIP ROLLER	E119000	1
4	TAPA MANDO GAS / TWIST GRIP COVER	E140000	1
5	PUÑO MANDO GAS / CPT. TWIST GRIP	E100001	1
6	BOMBA FRENO DELANTERO HOMOLOGADO/ FRONT BRAKE PUMP HOMOLOGATED	BT60000033012	1
6A	BOMBA FRENO DELANTERO / FRONT BRAKE PUMP	BT60000053012	1
7	CABLE DE GAS / THROTTLE CABLE	BT27924008	1
7A	CABLE DE GAS 370-96 CEX	E160003	1
8	BRIDA UNEX 4.8X20 / UNEX 4.8X20 CLAMP	BE25634009	1
9	GUARDAPOLVO CABLE GAS / THROTTLE CABLE DUST COVER	G600000	1
10	BRIDA MANILLAR / HANDLEBAR CLAMP	BT280414012C	1
11	LATIGUILLO EMBRAGUE TRIAL / CLUTCH TUBE	BT280522003	1
12	TAPA BOMBA FRENO / COVER BRAKE PUMP	BT60000113012	1
13	MANETA FRENO / BRAKE LEVER TRIAL	BT60000103012	1
14	MANILLAR TRIAL RAGA 2010- PROTEC 67302TT + P253	BT25000RA3010	1
15	TAPA BOMBA EMBRAGUE / COVER CLUTCH PUMP SET	BT45000033012	1
16	MANETA EMBRAGUE / CLUTCH LEVER	BT45000023012	1
17	BOMBA EMBRAGUE / CLUTCH PUMP	BT45000013012	1
18	CASQUILLO PULSADOR FRENO DELANTERO / PUSH BUTTON BUSHING	BT27922079	1
19	ESPEJO RETROVISOR / REAR VIEW MIRROR	L300760	2
20	TORNILLO UFK 8X20 / 8X20 UFK SCREW	T0318020	2
21	TORNILLO UFK 8X50 / 8X50 UFK SCREW	T0318050	2
22	GOMA SUJECIÓN CABLEADOS / WIRE SUBJET RUBBER	BFS450320067	1
24	PULSADOR PARO TRIAL PRO RACING 08 / TRIAL PRO RACING 08 STOP SWITCH	BC250334055	1
25	RODAMIENTO+CASQUILLO MANDO GAS TXT RACING 2010	BT26010R3010	1
26	DISPOSITIVO SEGURIDAD PILOTO	ET10000023012	1



**2**

Nº	DESCRIPCION / DESCRIPTION	125 / 280 / 300	Cant.
1	CTO. TAPÓN REGULACIÓN COMPRESIÓN / ADJUSTING COMPRESSION CAP	BT280714105	1
2	CTO. TAPÓN REGULACIÓN EXTENSIÓN / ADJUSTING RETURN CAP	BT280714106	1
3	MUELLE SUSPENSIÓN / FRONT FORK SPRING	BT201702809	2
4	TOPE PRECARGA AMORTIGUADOR / PRE-LOAD WASHER	BT20090R3009	2
5	REGULADOR HIDRÁULICO COMPR. / ADJUSTER TOP COMPRESSION	BT280614114	1
6	CONJUNTO HIDRÁULICO EXTENSIÓN / HYDRAULIC EXTENSION ASSEMBLY	BT280614115	1
7	BARRA SUSPENSIÓN / FRONT FORK INNER TUBE	BT280614110	2
8	GLACIER SUSPENSIÓN / GLACIER BUSHING	BT280414111	2
9	CENTRAJE TUBO HIDRÁULICO / SPACER BUSH	BT280414219	2
10	GUARDAPOLVO / DUST SEAL	BT280414131	2
11	SEEGER SUSPENSIÓN TRIAL / TRIAL FRONT FORK SEEGER	BT200252809	2
12	RETÉN / SEAL	BT280414212	2
13	ARANDELA SUPERIOR TRIAL / TRIAL UPPER WASHER	BT280414133	2
14	GLACIER BOTELLA SUSPENSIÓN / TUBE GLACIER BUSH	BT280414134	2
15	BOTELLA IZQUIERDA SUSPENSIÓN TRIAL / LEFT OUTER TUBE	BT20000083011	1
16	ARANDELA GOMA INTERIOR / FRONT FORK WASHER SEAL	BT280414145	2
17	ALLEN / ALLEN SCREW	BT280414249	2
19	BOTELLA DERECHA SUSPENSIÓN TRIAL / RIGHT OUTER TUBE	BT20000073011	1
20	TORNILLO EXAGONAL CON BALONA M6X25 / EXAGONAL SCREW M6X25	T0206025	4
21	SUSPENSIÓN TRIAL MARZOCCHI / TRIAL SUSPENSION SET MARZOCCHI	BT20000023012	1
22	CTO. SANGRADOR AIRE	BT280714103	1

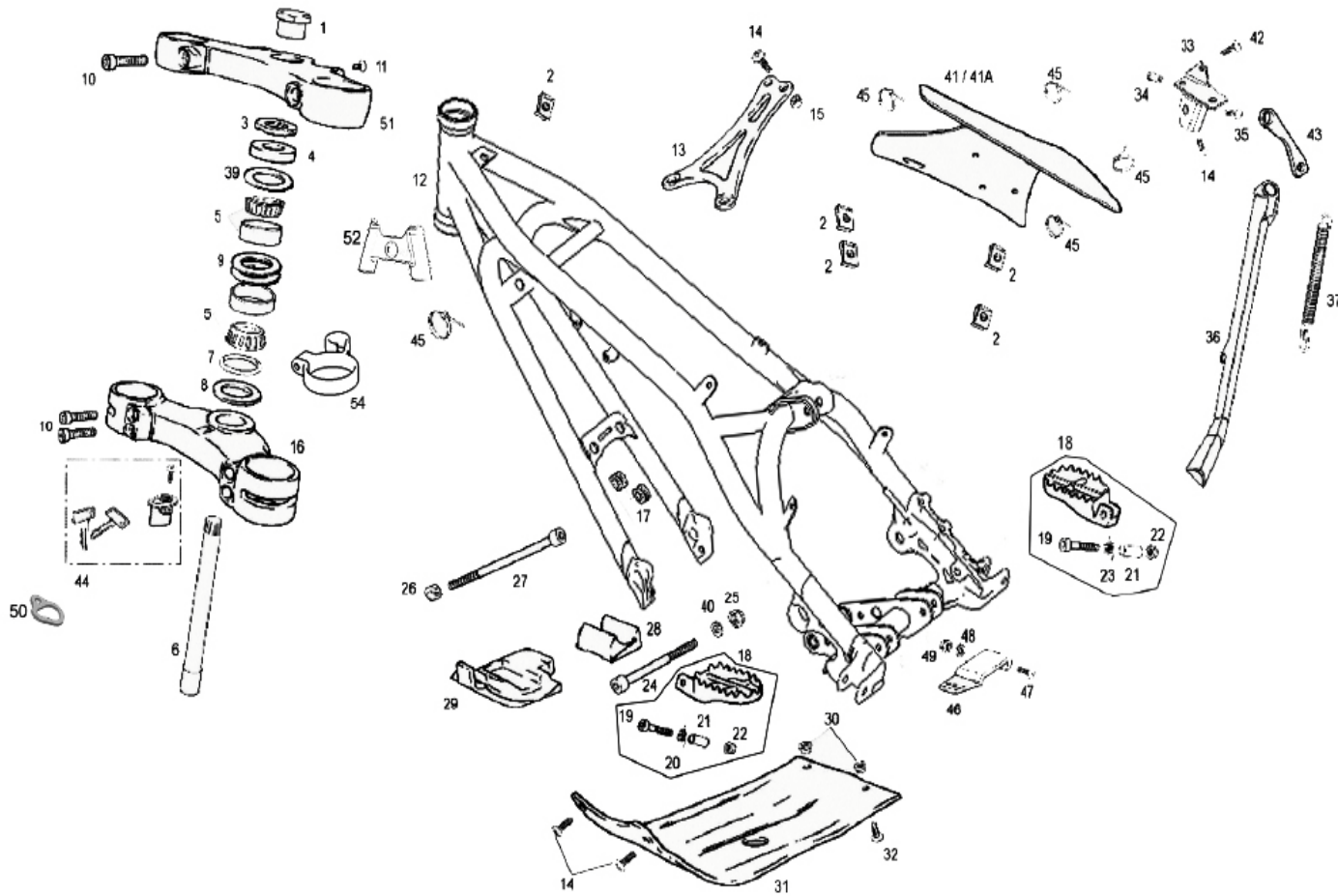


Nº	DESCRIPCION / DESCRIPTION	125 / 280 / 300	Cant.
1	TUERCA SUPERIOR DIRECCIÓN TRIAL / NUT TOP STEERING AXLE	BT280210030	1
2	TUERCA NUT 956 RAPIDA M6 / M6 FAST NUT	T2606000	5
3	TUERCA INFERIOR DIRECCIÓN TRIAL / NUT UNDER TOP CLAMP	BT280410029	1
4	GUARDAPOLVO COJINETES DIRECCIÓN / BEARING STEERING, DUST COVER	BEP250210026	1
5	COJINETE DIRECCIÓN URBXA 32004 / BEARING STEERING	BT280210008	2
6	EJE DIRECCIÓN TRIAL 2002 / AXLE STEERING	BT280214003	1
7	TÓRICA DIRECCIÓN 37X2,5 ENDUPAMP 250 / O'RING STEERING	BEP250210012	1
8	ARANDELA REGLAJE BLANCA / WHITE WASHER	BT280210026	1
9	ARANDELA 36X42X0.5 / 36X42X0.5 WASHER	T4003642	2
10	ALLEN M6x25 / ALLEN SCREW M6x25	T0306025	7
12	CHASIS TRIAL / TRIAL FRAME	BT100002811	1
13	TIRANTE CILINDRO / BRACE CYLINDER	BT280110050	1
14	ULS 8X20 / 8X20 ULS	T0508020	7
15	TUERCA AUTOBLOCANTE M-8 ALTA / SELF-LOCKING NUT M8 HIGH	T2108002	4
16	PLATINA INFERIOR TRIAL / FORK CLAMP (LOWER)	BT20000013012	1
17	GOMAS RADIADOR A CHASIS / RADIATOR PROTECTOR RUBBER	G220000	3
18	CTO. ESTRIBOS TRIAL RAGA 2009 CEX	BT14000RCT3009	1
19	PASADOR ESTRIBERA / SCREW	T0508045	2
20	MUELLE ESTRIBO IZQUIERDO / SPRING FOOTSTEP (LEFT)	M100004	1
21	CASQUILLO ESTRIBO TRIAL-99 / BUSH FOOTSTEP	BT27910006	2
22	TUERCA AUTOBLOCANTE M-8 BAJA (DIN 982) / NUT NYLOCK LOW	T2108001	2
23	MUELLE ESTRIBO DERECHO / SPRING FOOTSTEP, RIGHT	M100003	1
24	ALLEN 10x85 / 10X85 ALLEN BOLT	T0301085	1
25	TUERCA AUTOBLOCANTE M10 BAJA / SPECIAL M10 NUT	T2110001	1
26	TUERCA ESPECIAL M10 / SPECIAL M10 NUT	BT280210069	1
27	ALLEN M10X140 ZINCADO 12.9 / SCREW, BOLT ALLEN M10X140	T0310140	1
28	GOMA PROTECTOR TRASERO MOTOR / REAR ENGINE PROT. RUBBER	BT280336029	1
29	GOMA PROTECTOR DELANTERO MOTOR / FRONT ENGINE PROT. RUBBER	BT280236030	1
30	CASQUILLO PROTECTOR CÁRTER / CHASIS TRIAL / BUSHING	BT280310883	2
31	PLACA PROTECTOR CARTER RACING 2012	BT10000013012	1
32	ULS 8X16 / ULS 8X16	T0508016	2
33	SOPORTE CABALLETE TRIAL 2000 / SIDE STAND BRACKET SUPPORT	BT280712023	1

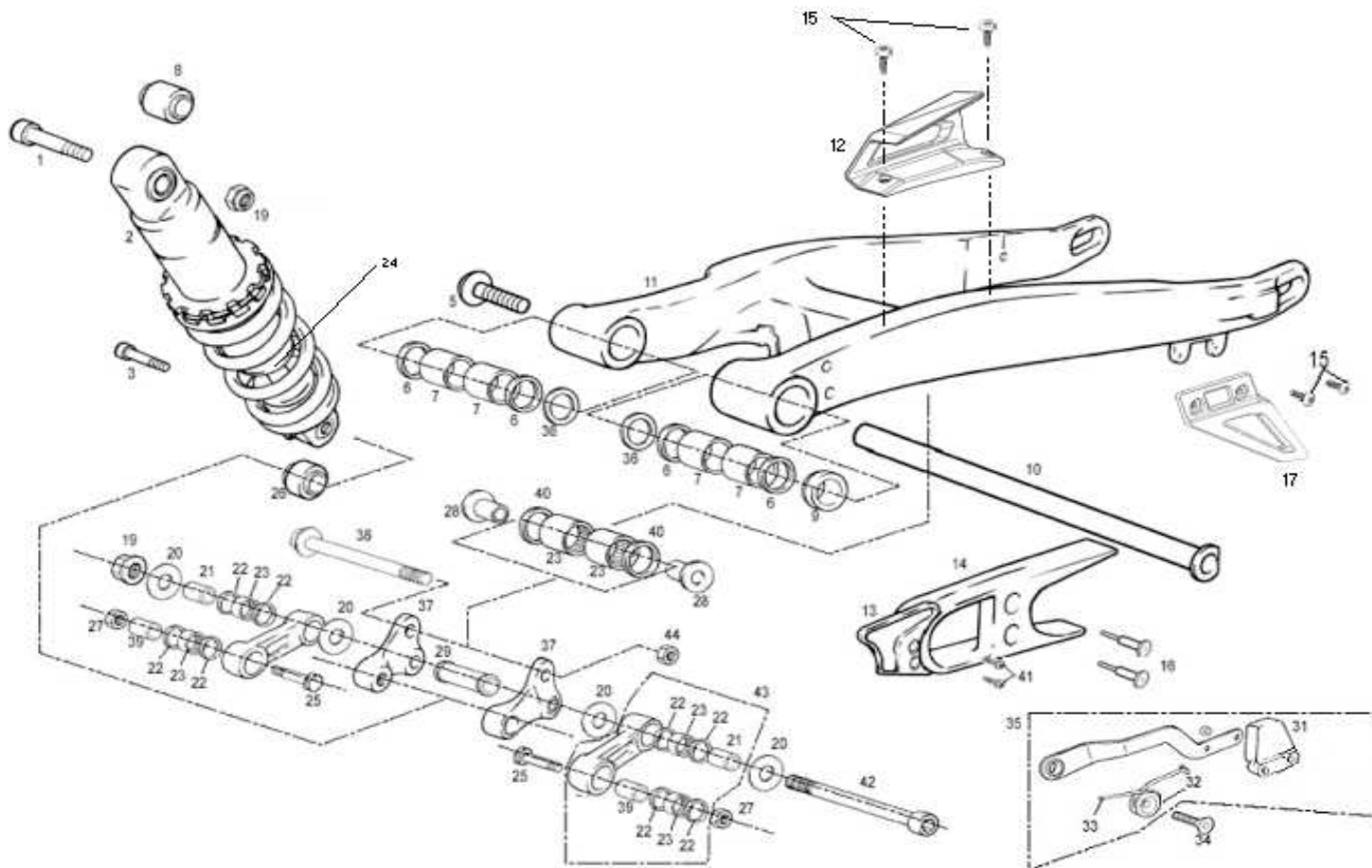
**GASGAS**

**Chasis 3**





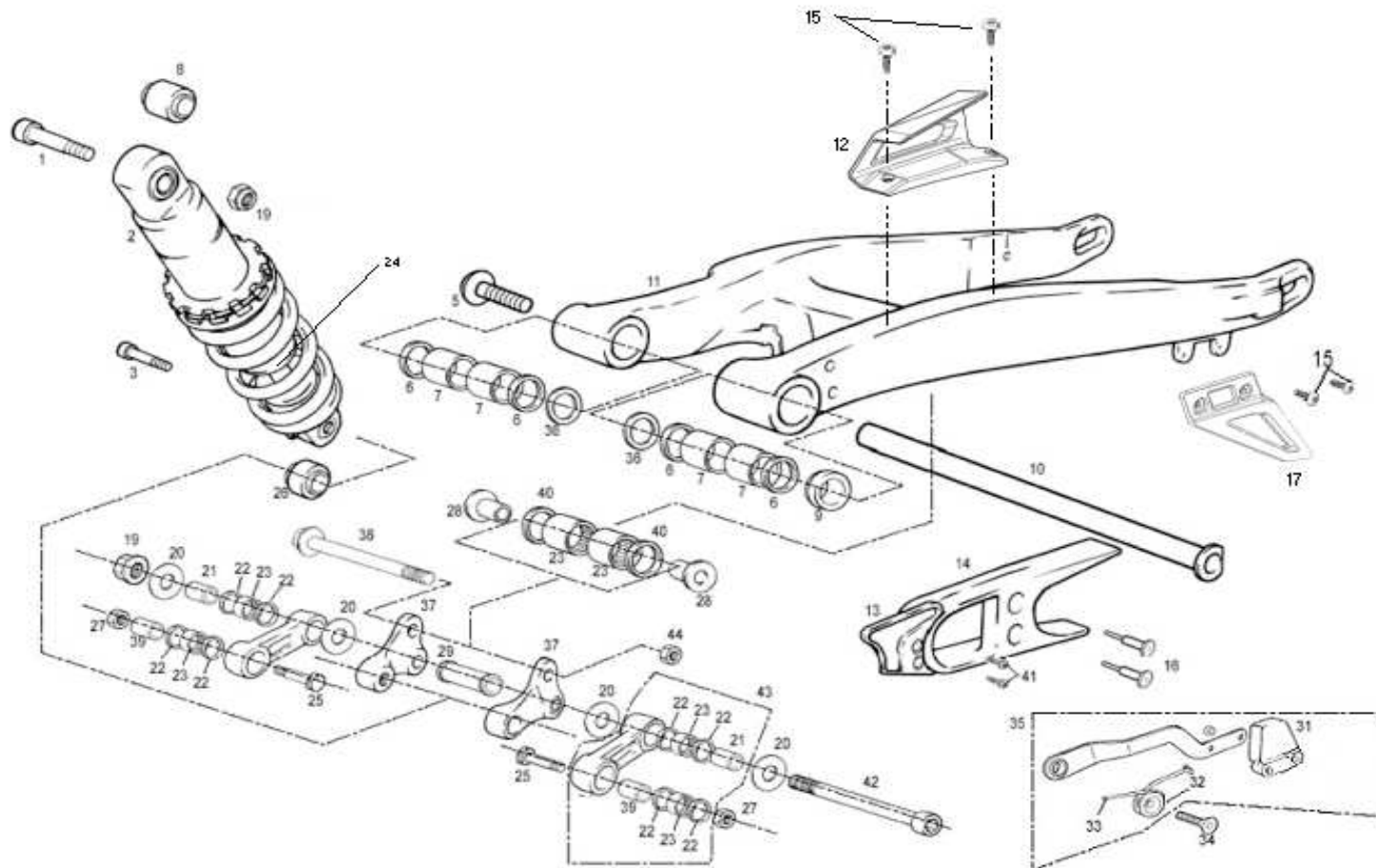
Nº	DESCRIPCION / DESCRIPTION	125 / 280 / 300	Cant.
34	CASQUILLO GUÍA CABALLETE TRIAL / BUSH, PIVOT SIDE STAND	BT27712011	1
35	ALLEN 8X14 / 8X14 ALLEN BOLT	T0308014	1
36	CABALLETE TRIAL 99 / SIDE STAND BRACKET	BT280712010	1
37	MUELLE CABALLETE / SIDE STAND SPRING	BT280310039H	1
39	ARANDELA 22.4X36X0.7 REGLAJE / REGULATE WASHER	T4022036	1
40	ARANDELA GLOBER 10X15 / GLOBER WASHER	T4001015	1
41	GOMA PROTECCIÓN CAJA-CHASIS CORTA TRIAL PRO / SHORT PROTECT RUBBER	BT280236033	1
41A	GOMA PROTECCIÓN CAJA-CHASIS LARGA TRIAL PRO / LONG PROTECT RUBBER	BT280236034	1
42	HEXAGONAL 6X16 / 6X16 HEXAGONAL BOLT	T0106016	1
43	EXCÉNTRICA CABALLETE TRIAL HOMO. / ADJUSTER	BT280312025H	1
44	CTO. BLOQUEO CLAUSOR / LOCKING CLAUSOR SET	BT280210075	1
45	BRIDA UNEX 2244 4.8X20 / 4.8X20 BLACK CLAMP	BE25634009	3
46	PROTECTOR CADENA A CHASIS / CHAIN PROTECTOR	BT280212026	1
47	TORNILLO ULS 6X25 / ULS 6X25	T0506025	1
48	ARANDELA PLANA 6.5X16X1.5 / WASHER 6.5X16X1.5	T4006016	1
49	TUERCA AUTOBLOCANTE DIN-6926 M6 CON ARANDELA ZN / NUT NYLOCK	T2206002	1
50	PLATINA TAPA CLAUSOR / CLAMP COVER	BT280210077/1	1
51	PLATINA SUPERIOR / UPPER CLAMP	BT220002809	1
52	TOPE DIRECCION CHASIS / GEAR PROTECTION RUBBER	BT170002809	1
53	BOTE DE PINTURA PARA CHASIS	BT10990R3009	1
54	GUIA LATIGUILLO FRENO DELANTERO / BREAK HOSE GUIDE	BT21600RA3010	1



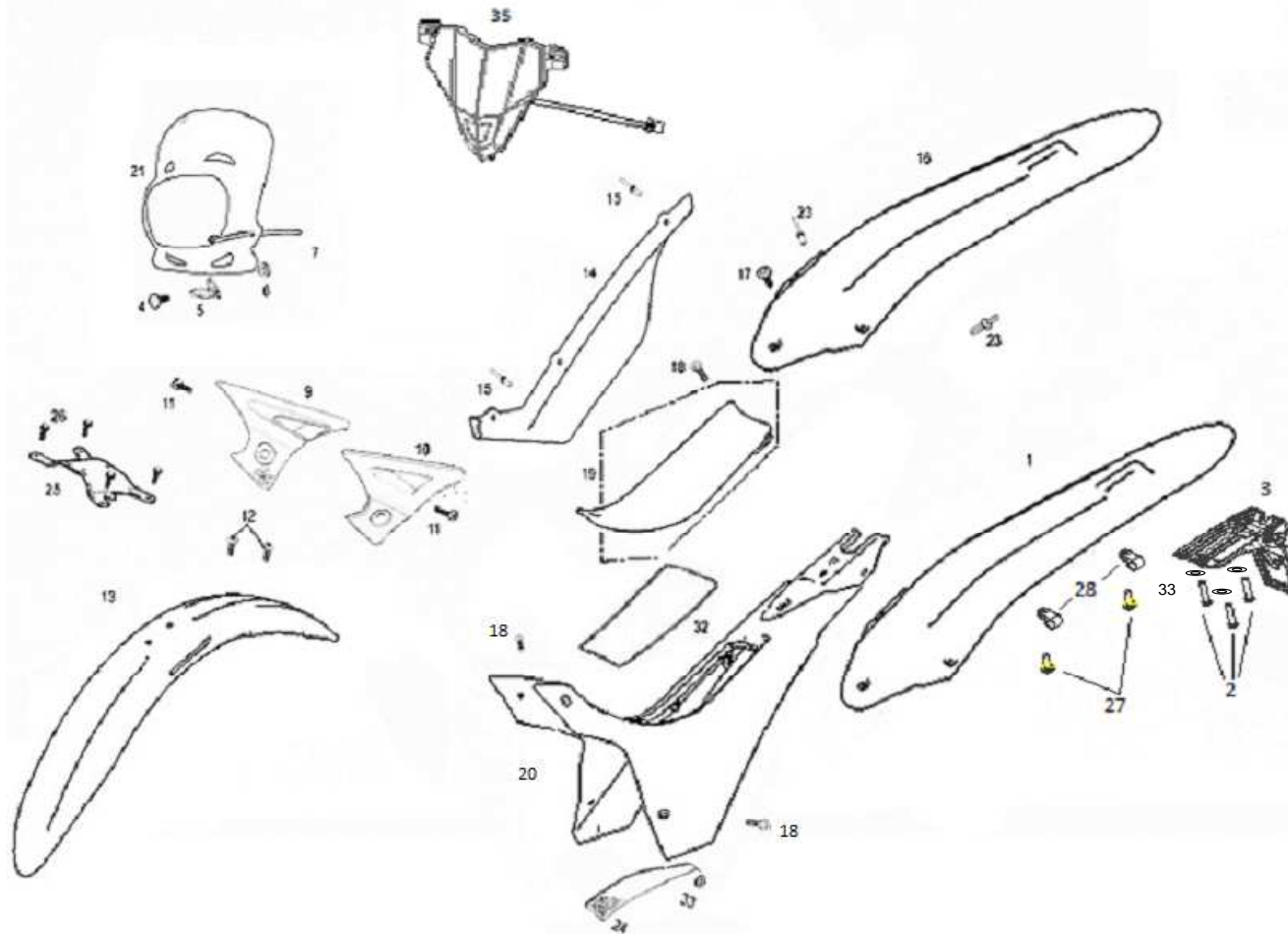
Nº	DESCRIPCION / DESCRIPTION	125 / 280 / 300	Cant.
1	ALLEN 10X63 / 10X63 ALLEN SCREW	BT35000013011	1
2	AMORTIGUADOR 2 VIAS REIGER(320.1.01.07.M)	BT30000023012	1
3	TORNILLO ESPECIAL / SPECIAL SCREW	T0310046	1
4	GOMA PROTECCIÓN AMORTIGUADOR TRASERO / REAR SHOCK PROTECTOR	BT280236041	1
5	TORNILLO EJE BASCULANTE TRIAL / SWING-ARM AXLE SCREW	BT280212009	1
6	RETÉN 20-26-4 870 N BASCULANTE / 20-26-4 OIL SEAL	C220001	4
7	COJINETE / BEARING	BT280212032	4
8	SILENTBLOCK AMORTIGUADOR / REAR SHOCK ABSORVER SILENTBLOCK	BT280414305	1
9	CASQUILLO GUÍA EJE BASCULANTE / SWING-ARM AXLE BUSHING	BT280212108	1
10	EJE BASCULANTE TRIAL / SWING-ARM AXLE	BT44500R3009	1
11	BASCULANTE TRIAL / TRIAL SWING-ARM	BT40000013011	1
12	CUBRECADENAS / CHAIN COVER	BT42040RA3011	1
13	PROTECTOR PINÓN TRIAL 2002 / PINION PROTECTOR	BT280236021	1
14	PATÍN CADENA / CHAIN GUIDE	BT280412015	1
15	ULS 5X12 / 5X12 ULS	T0505012	4
16	REMACHE CABOTA GRANDE 14X4 8X21 PATÍN / RIVET	T4505016	2
17	PROTECTOR CORONA TRIAL 2003 / SPROCKET PROTECTOR	BT57350RA3011	1
18	TORNILLO ROSCA CHAPA PHILIPS 4X38 / 4X38 PHILIPS SCREW	T0614838	2
19	TUERCA AUTOBLOCANTE / SELF-LOCKING NUT	T2110001	2
20	ARANDELA REGLAJE 10.5X26X0.5 / 10.5X26X0.5 WASHER	T4001026	4
21	CASQUILLO SUSPENSIÓN DIAM. 10 / SUSPENSION BUSHING	BT27712005	2
22	RETÉN 15X21X2 / 15X21X2 OIL SEAL	C230001	8
23	COJINETE AGUJAS 15BM2116 / NEEDLE BEARING	BT27714009	6
24	TOPE AMORTIGUADOR / SHOCK ABSORVER END OF TRAVEL	BT311002809	1
25	TORNILLO ESPECIAL BIELETA 8X38 / 8X38 SPECIAL SCREW	T0118038	2
26	RÓTULA AMORTIGUADOR / BALL AND SOCKET JOIN	BT280214300	1
27	TUERCA AUTOBLOCANTE M8 ALTA / SELF-LOCKING NUT	T2108002	2
28	CASQUILLO BALANCÍN 99 / ARTICULATION BUSHING	BT27914014	2
29	CASQUILLO DISTANCIADOR BALANCÍN / ARTICULATION SPACER BUSHING	BT27914016	1
31	GOMA TENSOR CADENA / TENSIONER CHAIN RUBBER	BT42010RA3010	1
32	CASQUILLO TENSOR CADENA / CHAIN TENSIONER BUSHING	B560000	1
33	MUELLE TENSOR CADENA / CHAIN TENSIONER SPRING	M122000	1
34	ALLEN CONICO 8X30 TENSOR CADENA / 8X30 CONIC ALLEN	T0408030	1

**GASGAS**

**Chasis 4**



Nº	DESCRIPCION / DESCRIPTION	125 / 280 / 300	Cant.
35	CTO. TENSOR CADENA / CHAIN TENSIONER ASSY.	BT42000RCT3009	1
36	ARANDELA BASCULANTE TRIAL 2002 / SWING-ARM WASHER	BT280212007	2
37	CTO. BALANCÍN TRIAL 2011 / ROCKER-ARM SET	BT30000023011	1
38	TORNILLO ESPECIAL M10X80X1.25 12.9 / M10X80X1.25 SCREW	T0210080	1
39	CASQUILLO SUSPENSIÓN DIAM.8 / DIAM. 8 SUSPENSION BUSHING	BT27712014	2
40	RETÉN 15-21-3-8170N BASC. BAL. / 15-21-3-8170N OIL SEAL	C230000	2
41	TORNILLO ROSCA-CHAPA 4.2X12 / 4,2X12 SCREW	T259349	2
42	ALLEN M10X125 / M10X125 ALLEN	BT35000033012	1
43	BIELETA ALUMINIO TRIAL COMPLETA / ALUMINIUM ROD SET	BT34000CT2812	2
44	TUERCA M10 / M10 NUT	T3110002	1

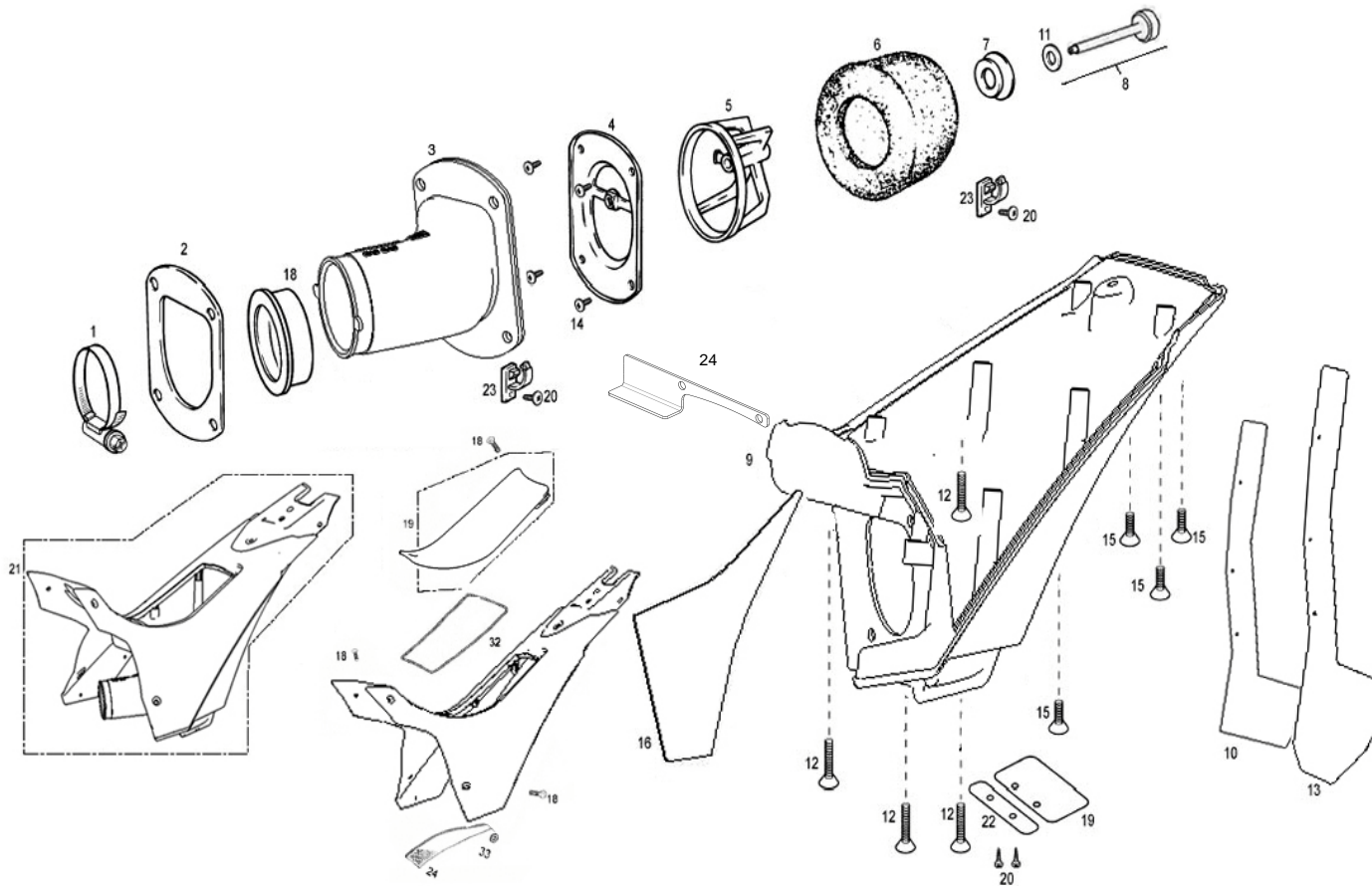


Nº	DESCRIPCION / DESCRIPTION	125 / 280 / 300	Cant.
1	GUARDABARROS TRAS. TRIAL HOMOLOGADO SIN ADHESIVO / TRIAL REAR FENDER NO STICKER	BT93500HRA3010	1
2	TORNILLO ROSCA PLASTICO 3,6x20	T0803020	3
3	PORTAMATRICULAS TRIAL HOMOLOGADO / TRIAL PLATE SUPPORT	BT93900RA3011	1
4	TORNILLO ULS 6X14 CON ARANDELA PLATA / ULS SCREW 6X14	T0556014	1
5	GANCHO INOXIDABLE / RUSTLESS HOOK	M130000	1
6	TUERCA CON ARANDELA M6 / M6 NUT WITH WASHER	T2206000	2
7	BRIDA UNEX / UNEX CLAMP	BE25634007	2
8	TORNILLO ROSCA-CHAPA 3X9 / 3X9 SCREW	T1003009	4
9	TAPA LATERAL DRCH. RAGA 2008	BT91500RA3008	1
10	TAPA LATERAL IZQ. RAGA 2008	BT92000RA3008	1
11	TORNILLO CHAPA 4.2X13 / SCREW 4.2X13	T0804612	2
12	ULS 5X8 / 5X8 ULS SCREW	T0505008	2
13	GUARDABARROS DELANTERO 2005 / TRIAL 2005 FRONT FENDER	BT90000073012	1
14	PROTECTOR ESCAPE TRIAL / EXHAUST PROTECTOR	BT947002811	1
15	REMACHE ALUMINIO 4X12 CABOTA NEGRA / ALUMINIUM RIVET	T4504012N	2
16	CTO. GUARDABARROS TRAS RACING CON ADHESIVO MY12	BT90000103012	1
17	ULS 6X16 CON ARANDELA NEGRO / 6X16 BLACK ULS WITH WASHER	T0556016	1
18	TORNILLO CONICO 6X16 INOX / INOX 6X16 CONIC SCREW	T0406016I	5
19	CTO.TAPA CAJA DE FILTRO TXT RACING 2012	BT90000093012	1
20	CTO.BASE ASIENTO CON ADH. RACING MY12	BT90000083012	1
21	FARO DELANTERO TRIAL 2009 SIN ADHESIVO / TRIAL 2009 FRONT HEADLIGHT NO STICKER	BT90500H2809	1
22	SOPORTE OPTICA FARO DELANTERO TRIAL / HEADLIGHT BRACKET	ET25000RC2808	1
23	REMACHE PLASTICO BLANCO GUARDAB. TRAS. / PLASTIC RIVET	T4513270	2
24	ADH. PROTECTOR ESCAPE AMIANTO / EXHAUST PROTECTOR STICKER	BT795502811	1
25	PUENTE HORQUILLA DELANTERA / FRONT SUSPENSION UNION	BT21500R3009	1
26	TORNILLO ESPECIAL 6X14 / 6X14 SPECIAL SCREW	T0206014	4
27	TORN ROSCA PLASTICO 3,6 X 10 ZINCADO	T36040101910B	2
28	GRAPA SUJECCION CABLE	ET750502809	2
29	TORNILLO ROSCA-CHAPA 3.5X13 / SCREW 3.5X13	T0603513	2
32	TUBO FLEXIBLE SILICONA BASE ASIENTO / SEAT BASE SILICON HOSE	BT795302811	1
33	ARANDELA 5X12X1'5 / WASHER 5X12X1'5	T4005012	4
35	CTO. FARO TXT RACING RAGA / RACING RAGA HEADLIGHT SET	BT9000006CT3012	1

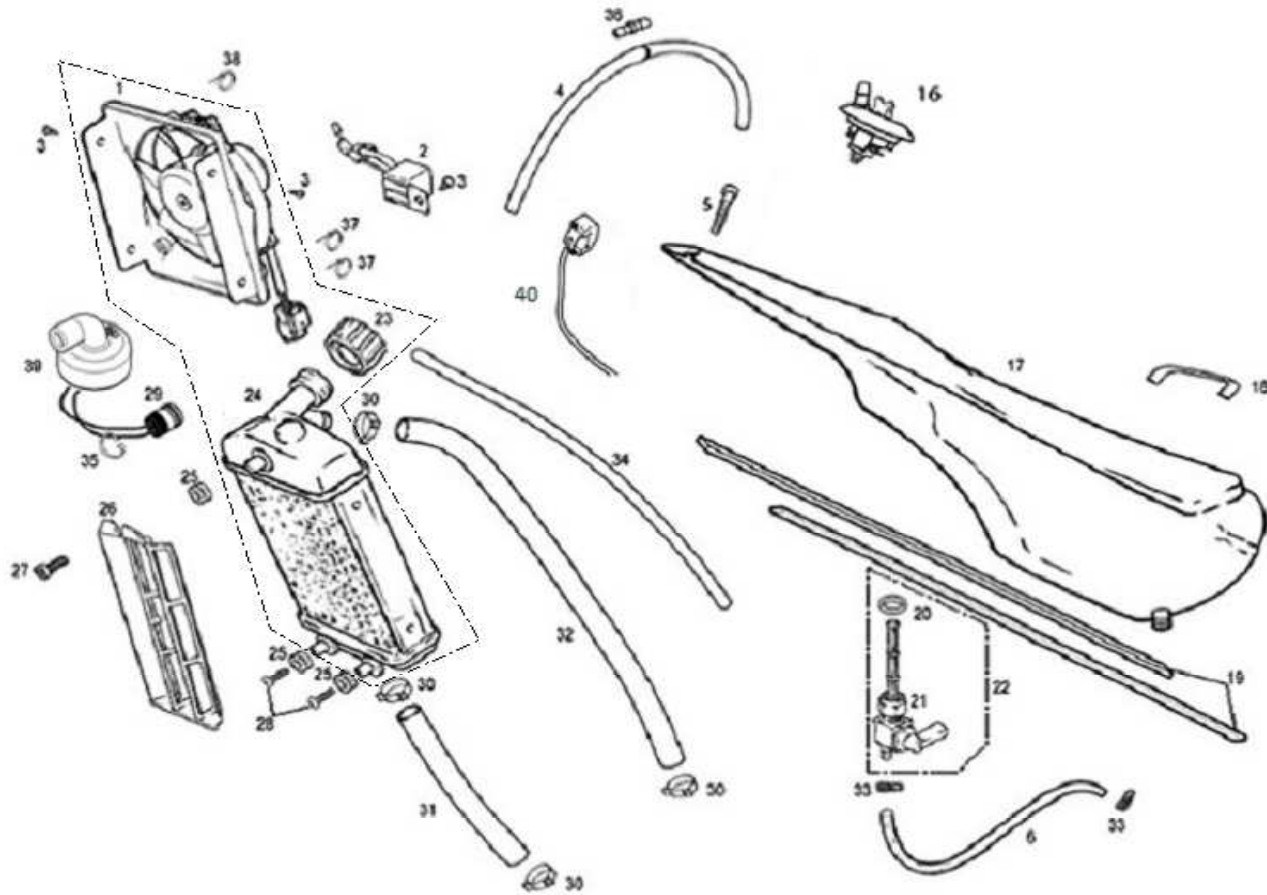
**GASGAS**

**Chasis 5**





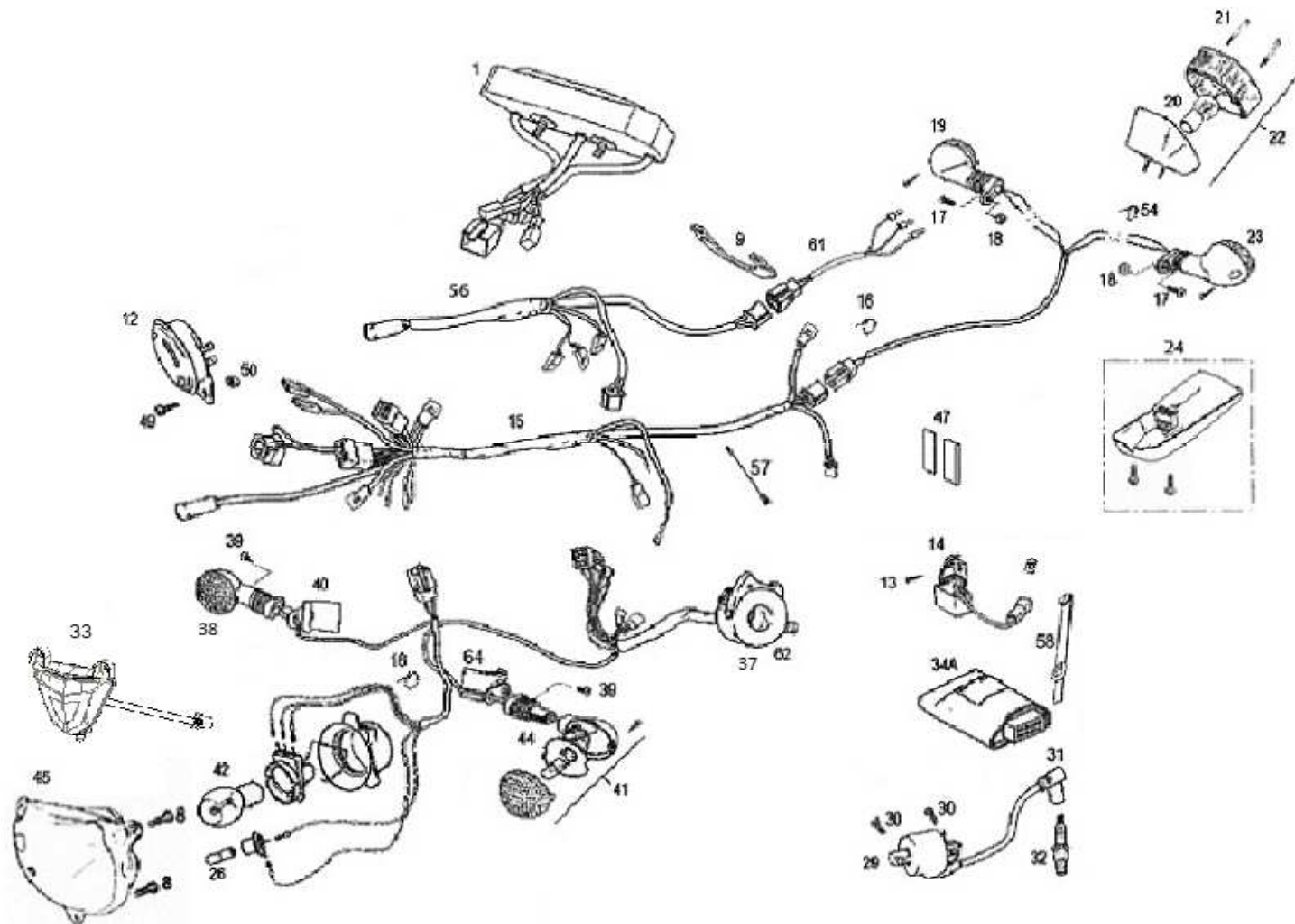
Nº	DESCRIPCION / DESCRIPTION	125 / 280 / 300	Cant.
1	ABRAZADERA S56/9 / CLAMP	MT280316132	1
2	PLATINA EXTERIOR SOPORTE JAULA FILTRO TRIAL 2002 / EXTERNAL PLATE	BT280228021	1
3	TOBERA CAJA FILTRO TRIAL SXXI / TUBE, AIR CLEANER CONNECT.	BT792002811	1
4	PLATINA INTERIOR SOPORTE JAULA FILTRO TRIAL 2002 / INNER PLATE	BT280228020	1
5	JAULA FILTRO AIRE TRIAL 280-2002 / AIR CLEANER CAGE	BT280228002	1
6	FILTRO AIRE TRIAL XXI / AIR CLEANER	BT280328000	1
7	TETÓN ESPUMA FILTRO TRIAL 2002 / AIR CLEANER WASHER	BT280228008	1
8	VARILLA FILTRO TRIAL 2002 / AIR CLEANER ROD	BT795202811	1
9	CAJA FILTRO TRIAL / AIR CLEANER BOX	BT790002811	1
10	AD. PROTECTOR CAJA FILTRO / AIR CLEANER PROTECTOR SITCKER	BT795502811	1
11	ARANDELA / WASHER	T4006016	1
12	TORNILLO ROSCA-CHAPA 3,5X30 / 3,5X30 SCREW THREAD	BT280228034	4
13	GOMA PROTECCIÓN CAJA FILTRO / AIR CLEANER BOX PROTECTOR RUBBER	BT795402811	1
14	ULS 4X10 NEGRO CON ABRAZADERA / ULS 4X10 BOLT	T0554010N	4
15	TORNILLO ROSCA-CHAPA 3,5X12 / 3,5X12 SCREW THREAD	BT280228035	4
16	ADH. PROTECTOR ESCAPE AMIANTO / EXHAUST PROTECTOR STICKER	BT795502811	1
18	ADAPTADOR CARBURADOR / CARBURETOR ADAPTER	MT300616133	1
19	VÁLVULA VACIADOR CAJA FILTRO TRIAL / TRIAL FILTER BOX VALVE	BT280428032	1
20	TORNILLO ROSCA-CHAPA 4,2X10 NEGRO / BLACK 4,2X10 SCREW	T0604210	4
21	CTO. CAJA FILTRO TRIAL PRO / PRO FILTER BOX SET	BT90000053012	1
22	PISADOR VÁLVULA VACIADOR CAJA FILTRO / BOX VALVE SUJECTION	BT280428045	1
23	PRENSACABLES SR1789 / CABLE TIE SR1789	BT280428006	2
24	PLETINA ENTRADA DE AIRE / AIR ENTER PLATE	BT30125R3011	1



Nº	DESCRIPCION / DESCRIPTION	125 /280 / 300	Cant.
1	VENTILADOR F-14 / FUN F-14	BFS400332340	1
2	MODULO VENTILADOR / FUN MODULE	BT120532342	1
3	TORNILLO ROSCA CHAPA CON ARANDELA / SCREW THREAD WITH WASHER	T0604210	3
4	TUBO DESVAPORIZADOR DEPÓSITO 41cm. / TANK TUBE 41CM. LONG	BT280310018	1
5	TORNILLO M6X30 / SCREW M6X30	T0206030	1
6	TUBO GASOLINA TRIAL / FUEL HOSE	BT280236004	1
16	CTO. TAPÓN GASOLINA / CPT. PLUG FUEL-PETROL	BT280420010	1
17	CTO. DEPOSITO GASOLINA RACING CON ADHESIVO TXT 2012	BT80000013012	1
18	JUNTA ADHESIVA DEPÓSITO 125x10 / STICKER TANK GASKET	BT280038018	1
19	JUNTA ADHESIVA DEPÓSITO CHASIS 38 X 1 / STICKER TANK GASKET,FRAME	BT27838018	2
20	ARANDELA GRIFO DEPÓSITO / WASHER TANK TAP	BT27910131	1
21	TUERCA GRIFO DEPÓSITO / NUT TANK TAP	BT27910132	1
22	GRIFO GASOLINA C/90 / FUEL VALVE	BT27810031	1
23	TAPÓN RADIADOR TP50806 TRIAL 2002 / RADIATOR CAP	BT280232032	1
24	CTO. RADIADOR CON VENTILADOR TRIAL PRO / TRIAL PRO RADIATOR	BT70000RCT3009	1
25	GOMAS RADIADOR A CHASIS / RADIATOR TUBE TO FRAME	G220000	3
26	REJILLA RADIADOR TRIAL / RADIATOR PROTECTOR	BT730502809	1
27	ALLEN 6X14 / 6X14 ALLEN BOLT	T0306014	1
28	ULS 6x10 CON ARANDELA / 6X10 ULS BOLT WITH WASHER	T0556010	2
29	TERMO CONTACTO / TERMO-CONTACT	BT280432065	1
30	ABRAZADERA COBRA DE 21 / COBRA CLAMP 21	L200046	4
31	TUBO INFERIOR RADIADOR-BOMBA AGUA / RADIATOR-WATER PUMP LOWER TUBE	BT710002810	1
32	TUBO SUPERIOR RADIADOR-CULATA / RADIATOR-CYL. HEAD UPPER TUBE	BT710502810	1
33	ABRAZADERA ELÁSTICA NEGRA ALAMBRE 9.3X9.9 2016055 / SPRING CLAMP	L200036	2
34	TUBO DESVAPORIZADOR TAPÓN GAS (26cm) / RADIATOR EXCESS TUBE HOSE	BE25620011	1
35	CLIP TERMOSTATO PRO 2005 / SEEGER	BT280432066	1
36	VÁLVULA DESVAP. DEPÓSITO / UNSTEAMER VALVE	BT27836025	1
37	BRIDA UNEX CORTA 2.5X98 / UNEX CALMP	BE25634010	2
38	BRIDA UNEX 2244 4.8X20 / UNEX CLAMP	BE25634009	1
39	FUNDA TERMOCONTACTO / THERMOCONTACT COVER	BT70110R3009	1
40	INTERRUPTOR CDI / CDI SWITCH	ET511902810	1

**GASGAS**

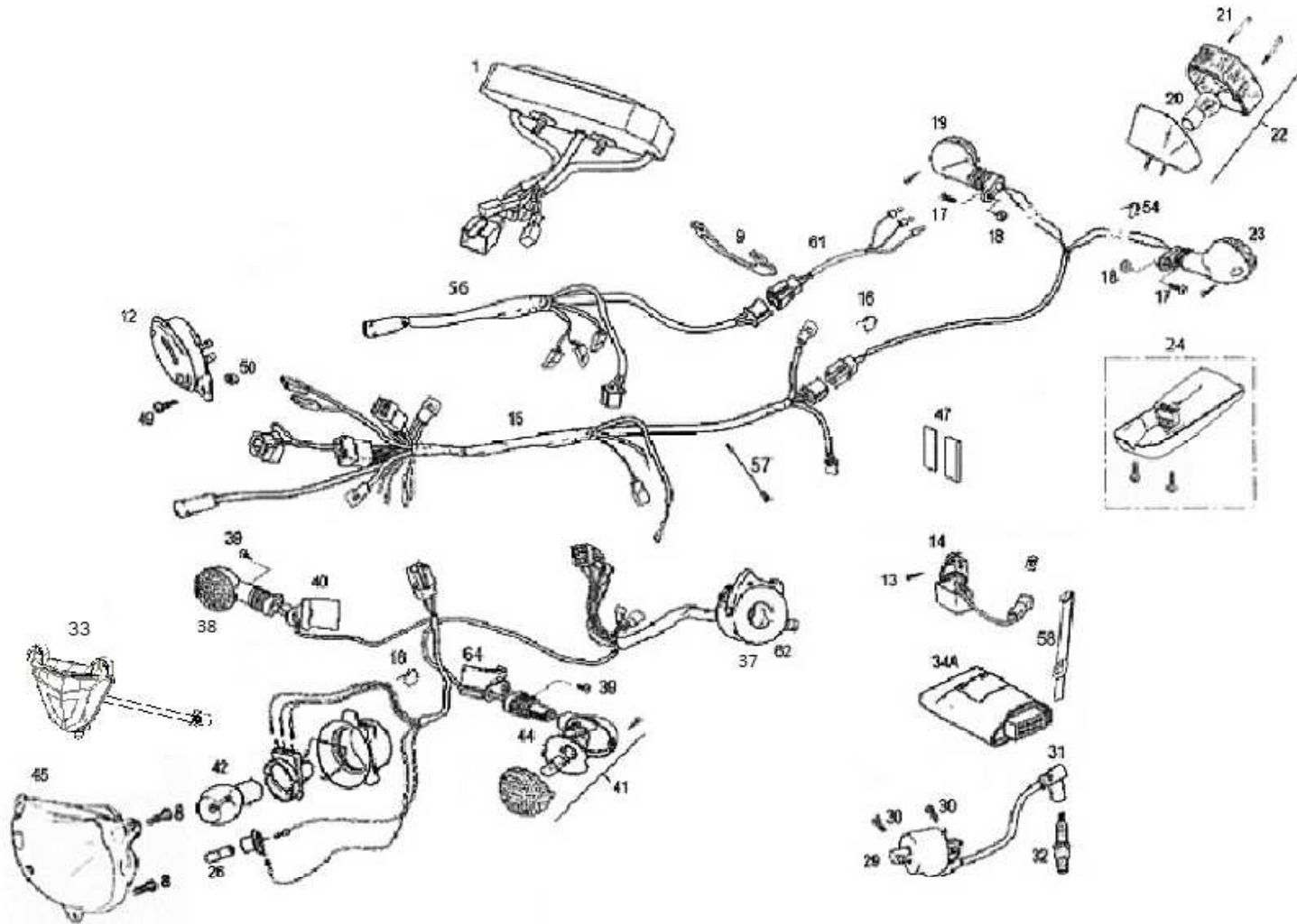
**Chasis 7**



Nº	DESCRIPCION / DESCRIPTION	125	125 / 280 /300	Cant.
1	MULTIFUNCIÓN TRIAL / TRIAL MULTIFUNCTION		ET600002808	1
7	BOMBILLA 12V 1,2-9W / 12V 1,2-9W BULB		L300123	3
9	SOPORTE CUENTA KM. / KM. COUNTER SUPPORT		BT280634045	1
12	CTO. CLAXON PE40065G11 / HORN ASSY		L300105	1
13	TORNILLO ESPECIAL 6X14 / 6X14 SPECIAL SCREW		T0206014	1
14	REGULADOR ALTERNADOR / ALTERNATOR REGULATOR		L300031	1
15	INSTALACIÓN TRIAL / TRIAL INSTALLATION		ET10000RC2808	1
15A	INSTALACIÓN HOMOLOGADA / HOMOLOGATED INSTALLATION		ET1000003012	1
16	BRIDA UNEX MEDIANA / UNEX CLAMP		BE25634009	3
17	ULS 6X16 NEGRO / 6X16 ULS BLACK BOLT		T0506016N	2
18	TUERCA CON ARANDELA M6 / M6 NUT WITH WASHER		T2206000	2
19	INTERMITENTE DERECHO TRASERO / RIGHT REAR INDICATOR		BT280634018	1
20	BOMBILLA 12V 5-21W / 12V 5-21W BULB		L300116	1
21	CRISTAL FARO TRASERO HOMOLOGADO / HOMOL. REAR LIGHT CAP		BP25734115	1
22	FARO PILOTO TRIAL HOMOLOGADO / HOMOL. TRIAL REAR LIGHT SET		BP27534015	1
23	INTERMITENTE IZQUIERDO TRASERO / LEFT REAR INDICATOR		BT280634019	1
24	FARO PILOTO TRIAL / TRIAL REAR LIGHT SET		ET30000CT2811	1
25	TORNILLO ROSCA CHAPA 3.5X13 / BOLT 3.5X13		T0603513	3
26	LÁMPARA 12V3W BIFARO AM0518 / 12V 3W LAMP		L300119	1
27	TIRA ADHESIVA 45MM. CAJA FILTRO EC2003 / STICKER 45MM.		BE250328039	2
29	BOBINA KOKUSAN IG3815 / KOKUSAN ELECTRIC COIL		ET500002809	1
30	ALLEN 6X16 / ALLEN 6X16 BOLT		T0306016	3
31	PIPA BUJÍA IB05EMH = BT27934000 / SPARK PLUG		BT25934000	1
32	BUJÍA BPR6ES / SPARK PLUG		M04012000	1
33	CTO. OPTICA RACING RAGA 2011		BT90000123011	1
34A	CDI DIGITAL CU7510 TRIAL 250/280 2005 / TRIAL 2005 DIGITAL CDI	MT120534007	MT280534007 (280,300)	1
37	CONMUTADOR LUZ TT-97 / LIGHT SWITCH		ET10000013012	1
38	INTERMITENTE DERECHO DELANTERO / FRONT RIGHT INDICATOR		BT28063401812	1
39	TORNILLO PHILIPS ROSCA-CHAPA 6.3x16 NEGRO / 6.3X16 CLACK SCREW		T0706316	2
40	SOPORTE INTERMITENTE DELANTERO / FRONT INDICATOR SUPPORT		BE250134017	2

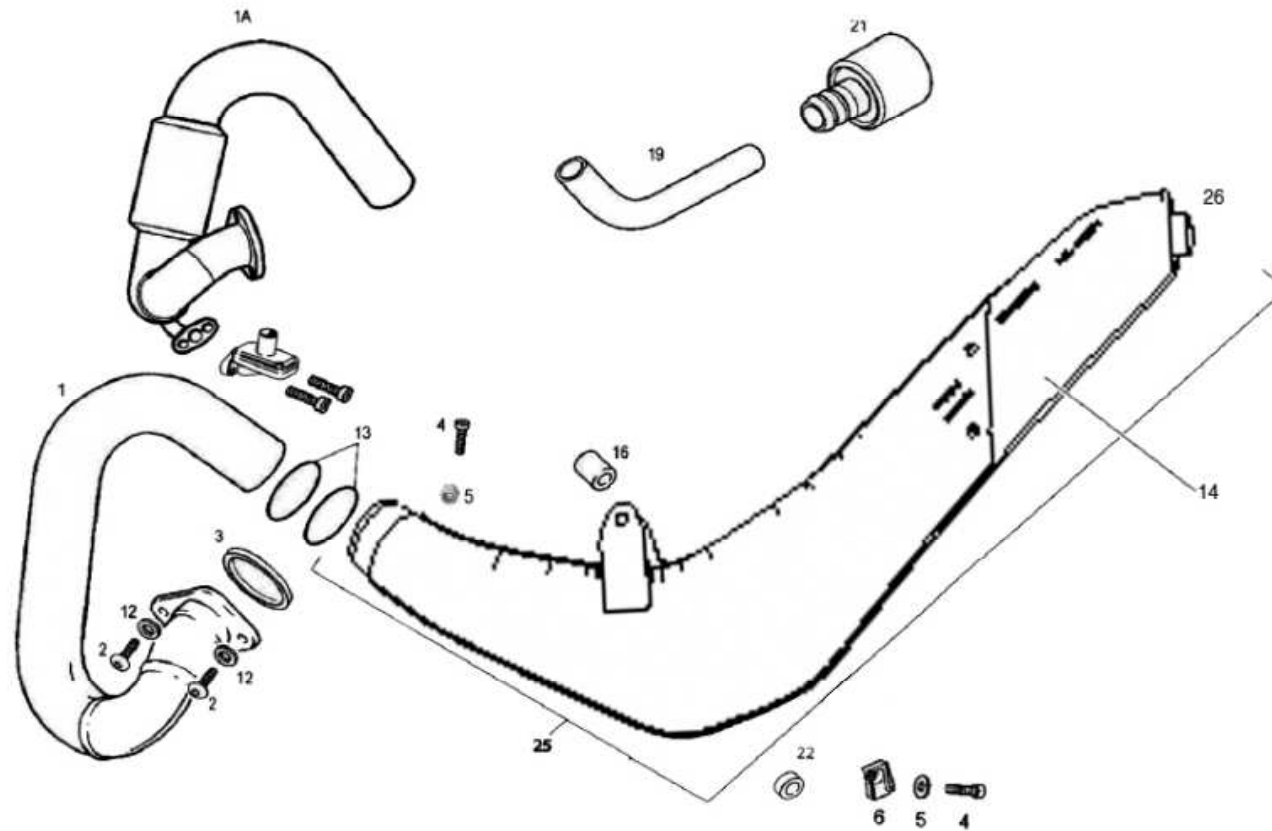
**GASGAS**

**Chasis 8**

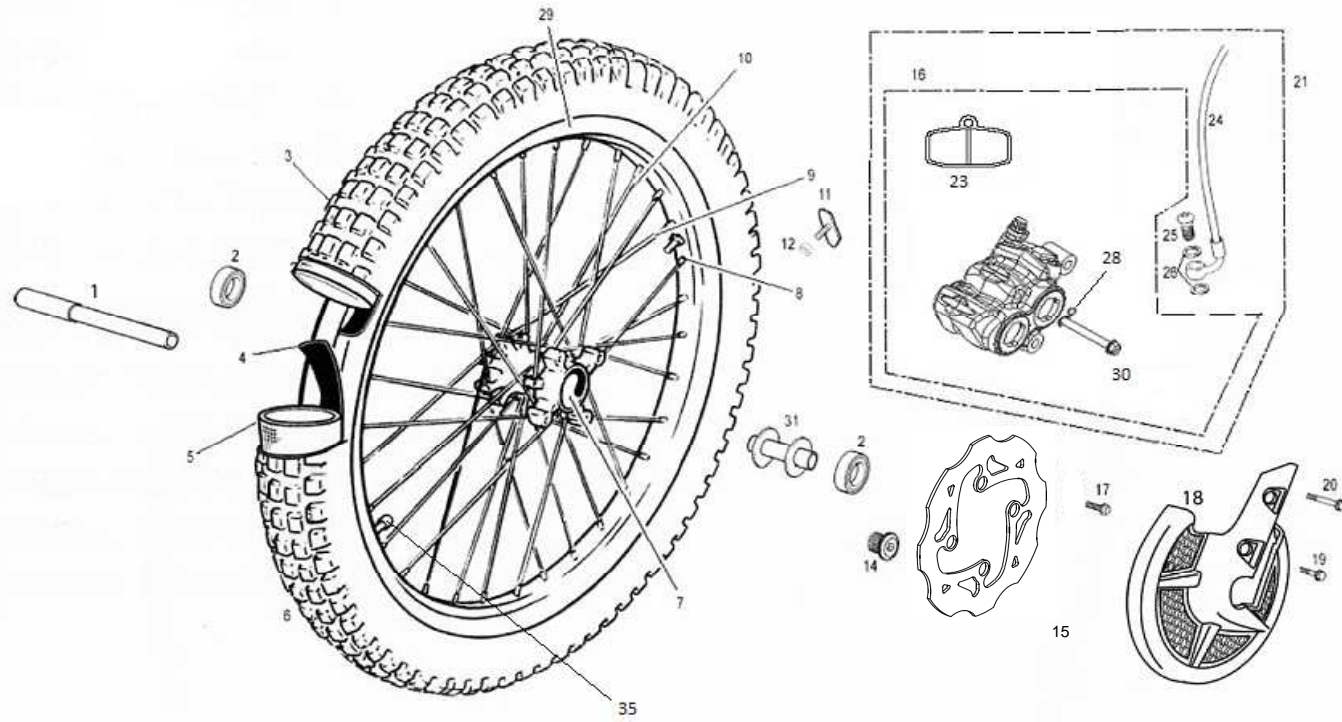


Nº	DESCRIPCION / DESCRIPTION	125 / 280 /300	Cant.
41	INTERMITENTE IZQUIERDO DELANTERO / FRONT LEFT INDICATOR	BT28063401912	1
42	BOMBILLA 12V 35W/35 (1221) / 12V 35W/35 LAMP	L300122	4
44	LÁMPARA 12V15W CASQUETE / 12V15W LAMP	L300115	4
45	ÓPTICA FARO HOMOLOGADO / HEADLIGHT	BT280120022	1
47	ESPUMA PROTECTORA CDI KOKUSAN TRIAL PRO 2005 / CDI PROTECTOR	MT280534023	2
49	ULS 6X10 C/ARANDELA PLATA / ULS 6X10 BOLT	T0556010	1
50	TUERCA AUTOBLOCANTE BAJA M6 (DIN985) / M6 NUT	T2106001	1
54	BRIDA NYLON 3.6X140 LAT.EMBRAGUE / ALLEN BOLT 6X14	BE250022031	1
56	INSTALACIÓN RACING TRIAL / TRIAL RACING INSTALLATION	ET10000RC2808	1
57	ALARGO CONECTOR BOBINA / BOBINE WIRE EXTENSION	ET501002809	1
58	GOMA SUJECCION CDI /	BE250034100	1
61	INST. ALARGO PILOTO TRASERO TRIAL / INSTALLATION	ET300102808	1
62	CONMUTADOR LUZ 2 POSICIONES	ET602002808	1
63	CAJA INTERMITENCIA	L300720	1
64	SOPORTE INTEMITENCIA IZQUIERDO	BE250134020	1





Nº	DESCRIPCION / DESCRIPTION	125 / 280 / 300	Cant.
1	CURVA ESCAPE TRIAL SXXI / TRIAL BEND EXHAUST SXXI	BT300726001RA	1
1A	CURVA ESCAPE HOMOLOGADA / HOMOLOGATED BEND EXHAUST	BT280626001H	1
2	ULS 8X16 / 8X16 ULS	T0508016	2
3	JUNTA ESCAPE S4 105 / EXHAUST GASKET	MT280244012	1
4	TORNILLO ESP. 6X14 / SPECIAL SCREW 6X14	T0206014	1
5	TUERCA CON ARAND. ESTRIADA M6 / M6 NUT WITH WASHER	T2206000	1
12	ARANDELA GROVER 8X12X2 / GROVER WASHER	T4008314	2
13	TÓRICA SILENCIOSO INTERMEDIO 44,05X3,53 / O'RING INT. SILENCER	C290000	2
14	CAZOLETA SILENCIOSO FINAL / FINAL EXHAUST COVER	BT870802811	1
16	CASQUILLO SEPARADOR MOTOR EC125 / BUSHING	BE120110065	1
19	TUBO AIRE SECUNDARIO DE ESCAPE A VÁLVULA / SECONDARY AIR HOSE FROM EXHAUST TO VALVE	BT280626061	1
21	FILTRO AIRE SECUNDARIO / SECONDARY AIR FILTER	BT280626059	1
22	CASQUILLO INF. ESCAPE TRIAL / LOWER EXHAUST BUSHING TRIAL	BT280226240	1
23	ABRAZADERA 8X15 / 8X15 CLIP	BQ300214157	4
24	ULS 6X14 ARANDELA INC. / WASHER INC ULS 6X14	T0556014	2
25	CTO. INTERM. Y FINAL / INTERMEDIATE AND FINAL SET	BT860002811	1
26	SALIDA ALUMINIO FINAL ESCAPE	BT870602811	1



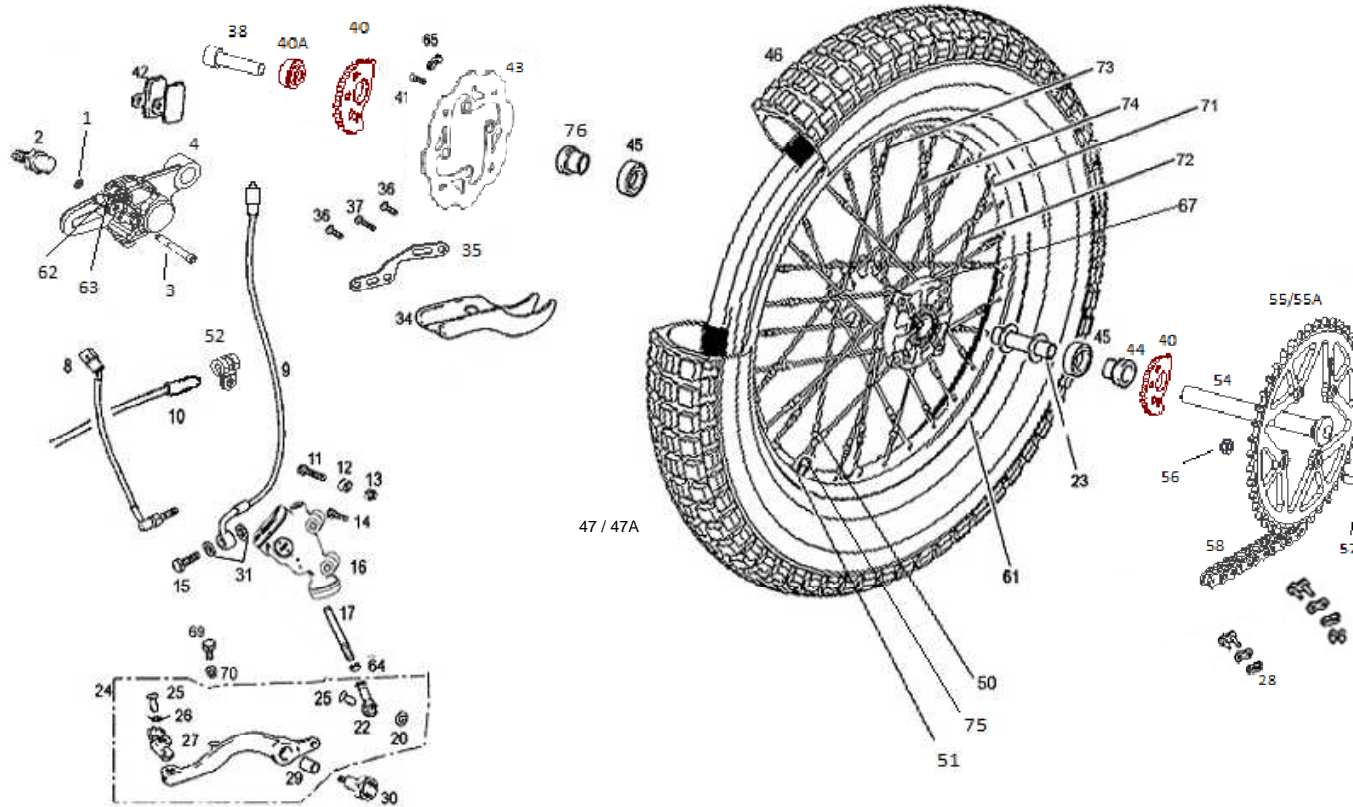
Nº	DESCRIPCION / DESCRIPTION	125 / 280 / 300	Cant.
1	EJE RUEDA DELANTERA TRIAL PRO 2004 / FRONT WHEEL AXLE	BT53000R3009	1
2	COJINETE / BEARING	ME120136055	2
3	CUBIERTA DELANTERA 2.75X21 / FRONT TYRE	BT501002810	1
4	GOMA PROTECTOR R14025 2.75X21 REF. 554350 / FRONT FLAP TYRE	N100000	1
5	CÁMARA DELANTERA 2.75X21 REF. 450905 / FRONT TUBE	N120000	1
6	CTO. RUEDA DEL. TXT RACING 2012 NEGRA	BT50000023012	1
7	CUBO RUEDA DELANTERA TRIAL / FRONT HUB WHEEL	BT280418007	1
8	TUERCA RADIOS 3MM. RUEDA DELANTERA DIA. 6.5 / SPOKE NUT	BT27718001	32
9	RADIO 3X257 RUEDA DELANTERA TRIAL NEGRO / BLACK FRONT WHEEL SPOKE	BT54200N2809	32
11	AGARRE CUBIERTA / TYRE CLAMP	BE25618027	1
12	TUERCA CON ARANDELA ESTRIADA M8 ZINCADA / NUT WITH WASHER	BE25818060	1
14	TORNILLO EJE RUEDA DEL. TRIAL PRO 2004 / FRONT WHEEL AXLE SCREW	BT53010R3009	1
15	DISCO FRENO DEL. TXT RACING DF740W	BT52000R3010	1
16	PINZA FRENO DELANTERO / FRONT BRAKE PADS	BT60000013012	1
17	HEXAGONAL M8 CON ARANDELA / M8 HEXAGONAL SCREW WITH WASHER	T0206020	4
18	PROTECTOR DISCO FRENO / FRONT BRAKE DISK PROTECTOR	BT90000063012CT	1
19	TORNILLO PINZA FRENO DELANTERA INFERIOR 8X1.25X36.5 / SCREW	BT280022071	1
20	TORNILLO PINZA FRENO DELANTERA SUPERIOR 8X45 / SCREW	BT35000023012	1
21	CTO. FRENO DELANTERO TRIAL / FRONT BRAKE SET	BT60000003012	1
23	PASTILLA FRENO DELANTERA / FRONT BRAKE PAD	BT60000063012	1
24	LATIGUILLO FRENO DELANTERO / FRONT BRAKE TUBE	BT60000023012	1
25	RACOR LATIGUILLO FRENO D8	BT662002811	1
26	ARANDELA RACOR D8X12X1.5 / D8X12X1.5 WASHER	BT662102811	2
28	PASADOR SEGURIDAD TORNILLO SUJETA PASTILLAS FRENO	BT60000073012	1
29	LLANTA DELANTERA COLOR TITANIO / TITAN COLOR FRONT WHEEL RIM	BT540002811	1
30	TORNILLO SUJECCION PASTILLAS / BRAKE PADS SCREW	BT35000053012	1
31	CASQUILLO INTERIOR BUJE / BUSHING	BT280418051	1
34	CTO. LLANTA DELANTERA RADIADA	BT54000CT2811	1
35	JUEGO TAPONES SILICONA VALVULA TRIAL ROJOS	BT53500R3009	1

**GASGAS Chasis 10**

**Rueda trasera /  
Rear wheel**

**GASGAS**

**TXT RACING 2012**

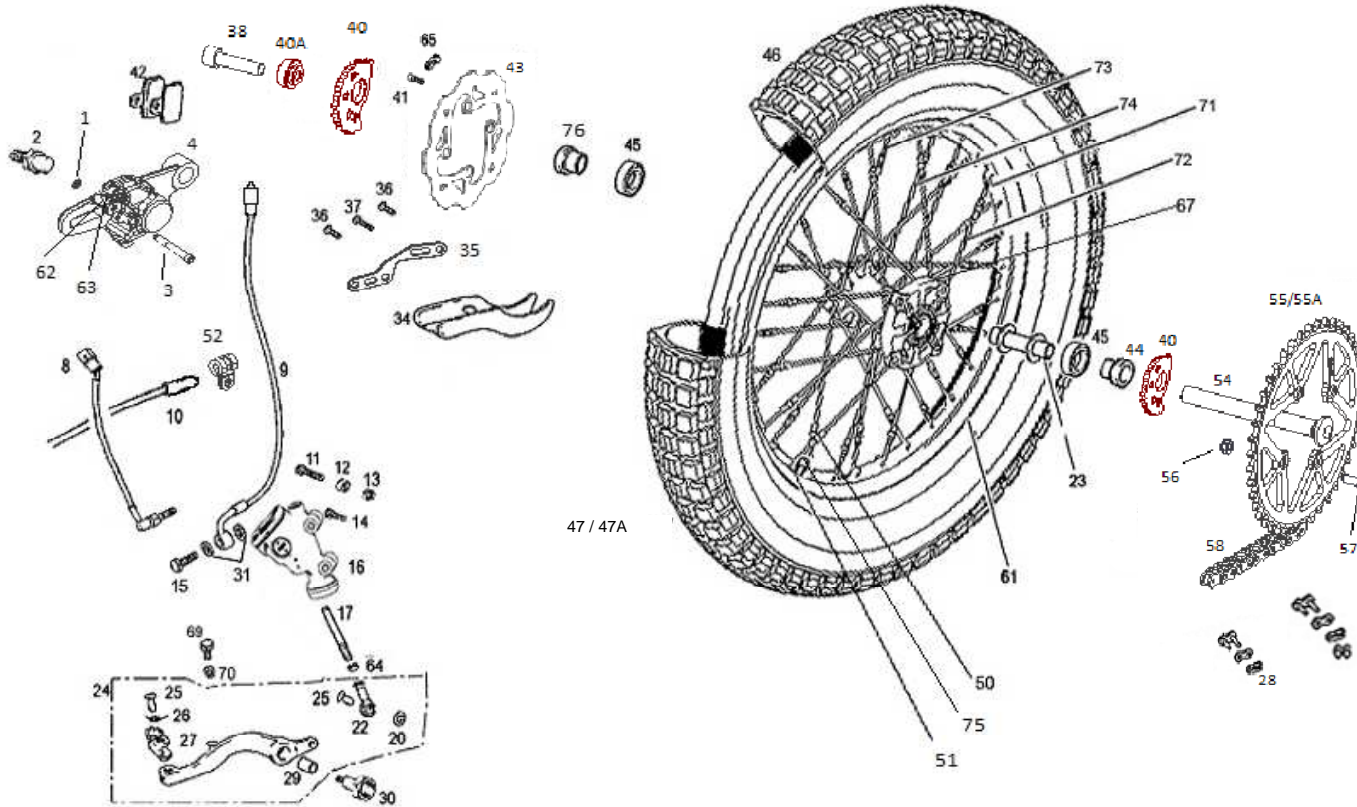


Nº	DESCRIPCION / DESCRIPTION	125 /280 / 300	Cant.
1	CIRCLICK TORNILLO EJE PASTILLAS FRENO TRAS	SE05050070001	1
2	TORNILLO CENTRADOR PINZA / CALIPER CENTER SCREW	BT280222049	1
3	TORNILLO EJE PASTILLAS FRENO TRAS	BT35000043012	1
4	PINZA FRENO TRASERA / CALIPER BRAKE REAR	BT65000013012	1
8	INTERRUPTOR STOP HOMOLOGADO / STOP INTERRUPTOR HOMOL.	BT65000033012	1
9	LATIGUILLO FRENO TRASERO / REAR BRAKE HOSE	BT65000003012	1
10	REENVÍO / HALL SENSOR	BT280634050	1
11	TORNILLO 6X25 / 6X25 BOLT	T0206025	1
12	CASQUILLO SEPARADOR FRENO TRASERA / REAR BRAKE PUMP SPACER	BT2802226240	1
13	TUERCA CON ARANDELA M6 (DIN 6923) ESTRIADA / M6 NUT WITH WASHER	T2206000	2
14	TORNILLO ESPECIAL 6X14 / 6X14 SPECIAL SCREW	T0206014	1
15	RACOR LATIGUILLO FRENO D8	BT662002811	1
16	BOMBA FRENO TRASERO / REAR BRAKE PUMP	BT660002811	1
17	VARILLA FRENO TRASERA TRIAL 2002 / BRAKE ROD	BT280222062	1
20	ARANDELA PLANA 6X12X1.5 / WASHER 6X12X1.5	T4006012	1
22	RÓTULA PEDAL FRENO / BRAKE PEDAL BALL-AND-SOCKET JOINT	BT280222053	1
23	CASQUILLO SEPARADOR 390.80.221 / BUSHING	BT280218052	1
24	CTO. PEDAL FRENO TRASERO / REAR BRAKE PEDAL SET	BT13000CT2809	1
25	REMACHE PUNTERA PEDAL FRENO / BRAKE PEDAL END RIVET	BE25922018	1
26	MUELLE PUNTERA PEDAL / SPRING PEDAL, END GEAR CLEVER	ME25636029	1
27	PUNTERA PEDAL FRENO / TOE PEDAL BRAKE	BT27922017	2
28	ENGANCHE CADENA IRIS 520 RXL / CHAIN SPLIT LINK	BT280310066	1
29	GLACIER PEDAL FRENO 1215PD10 / GLACIER BRAKE PEDAL	C200101	1
30	CASQUILLO TORNILLO PEDAL FRENO TRIAL / SCREW BUSHING	BT280610302	1
31	ARANDELA RACOR D8X12X1.5	BT662102811	2

**Rueda trasera /  
Rear wheel**

**GASGAS**

**TXT RACING 2012**



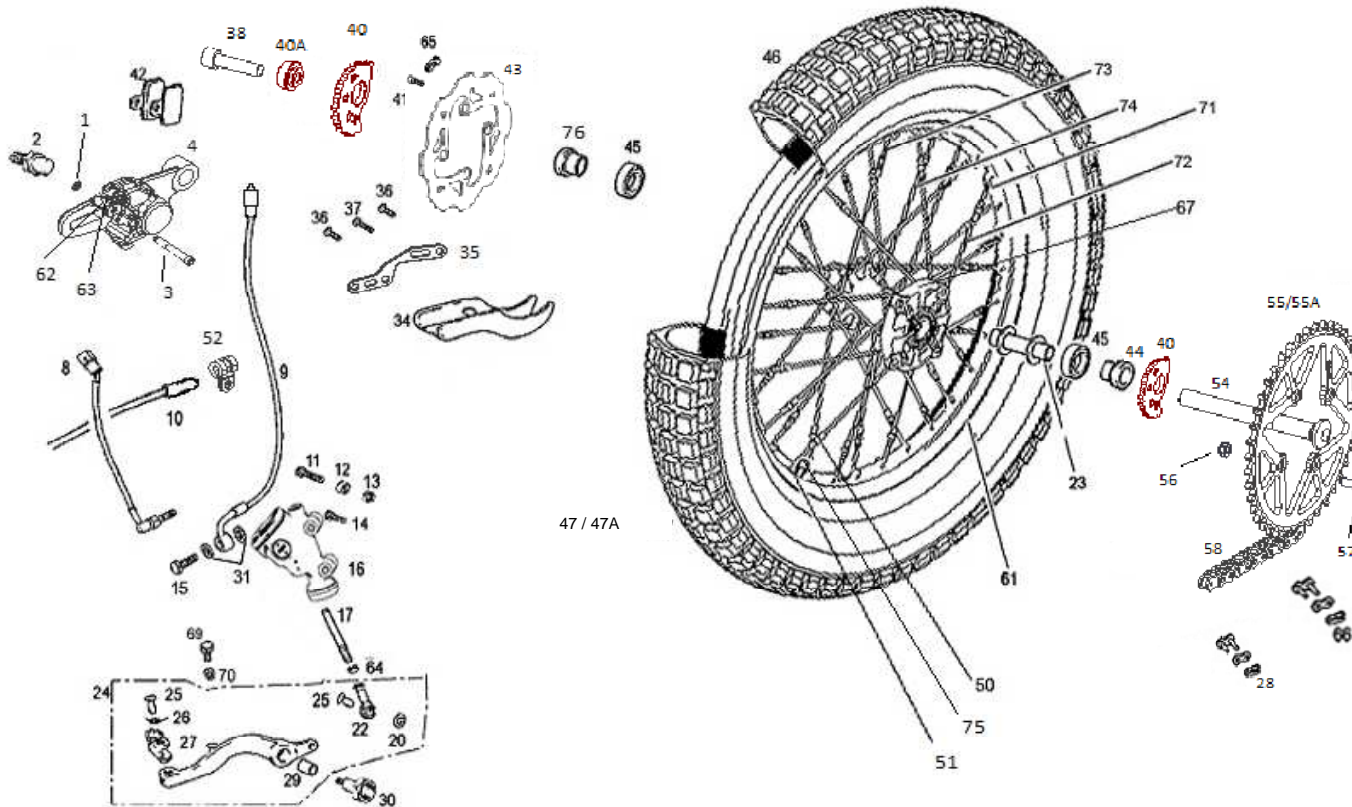
Nº	DESCRIPCION / DESCRIPTION	125 /280 / 300	Cant.
34	PROTECTOR DISCO TRASERO 2001 / BRAKE DISC PROTECTOR	BT57050R3009	1
35	SOPORTE PROTECTOR DISCO TRASERO / BRAKE DISC PROTECTOR SUPPORT	BT65000023012	1
36	TORNILLO ULS 6X12 / SCREW 6X12 ULS	T0506012	2
37	TORNILLO ULS 6X25 / SCREW 6X25 ULS	T0506025	1
38	TORNILLO EJE RUEDA TRASERA / REAR WHEEL AXLE BOLT	BT280718023	2
39	ARANDELA EJE TRASERO 17X30X1,5 DIN 137 / REAR WASHER	BT280436014	1
40	EXCENTRICA EJE RUEDA POSTERIOR	BT55000013011	2
40A	CASQUILLO EXCENTRICA EJE RUEDA POSTERIOR	BT55000023011	1
41	TORNILLO 6X18 / 6X18 SCREW	T0206020	4
42	PASTILLAS FRENO TRASERA / REAR BRAKE PADS	BT280222068	1
43	DISCO FRENO TRAS. TXT RACING DF741W	BT57000R3010	1
44	DISTANCIADOR RUEDA TRAS.LADO CORONA 15.3	BT55000013012	1
45	COJINETE 6004 / BEARING	C160001	2
46	CUBIERTA TRASERA 400X18 TBLS / REAR WHEEL TYRE	BT551002810	1
47	CTO. RUEDA TRAS.RACING TXT 2012	BT55000053012	1
47A	CTO. RUEDA TRAS.RACING MY12 USA	BT55000023012	1
50	TENSOR RADIO / SPOKE NUT	BT592032809	32
51	VÁLVULA / AIR VALVE	N200110	1
52	ABRAZADERA INOX.FIJ.LATIGUILLO 8x15	BQ300214157	1
54	EJE RUEDA POSTERIOR TRIAL	BT280718020	1
55	CORONA TITANIO Z41 / SPROCKET TITANIUM Z41	BT573002810	1
55A	CORONA TITANIO Z42 / SPROCKET TITANIUM Z42	BT573003010	1
56	TUERCA AUTOBLOCANTE M8 BAJA / LOW SELF-LOCK NUT	T2108001	4
57	ULS 8X20 TORX / 8X20 ULS TORX	T0568022	4
58	CADENA TRIAL / TRIAL CHAIN	BT280310036	1
58A	CADENA TRIAL 520 RXL 104 PASOS / CHAIN	BT120210036	1



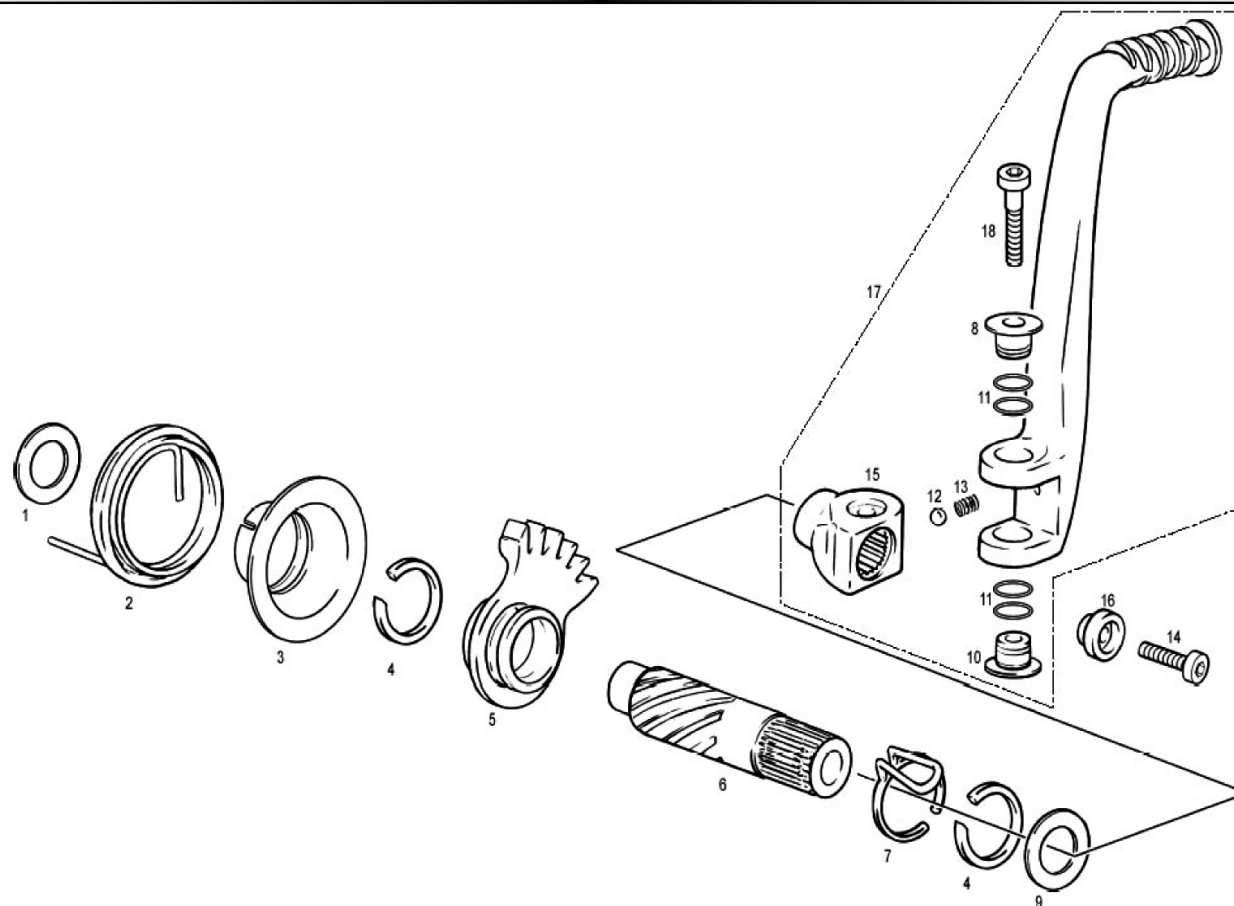
**Rueda trasera /  
Rear wheel**

**GASGAS**

**TXT RACING 2012**







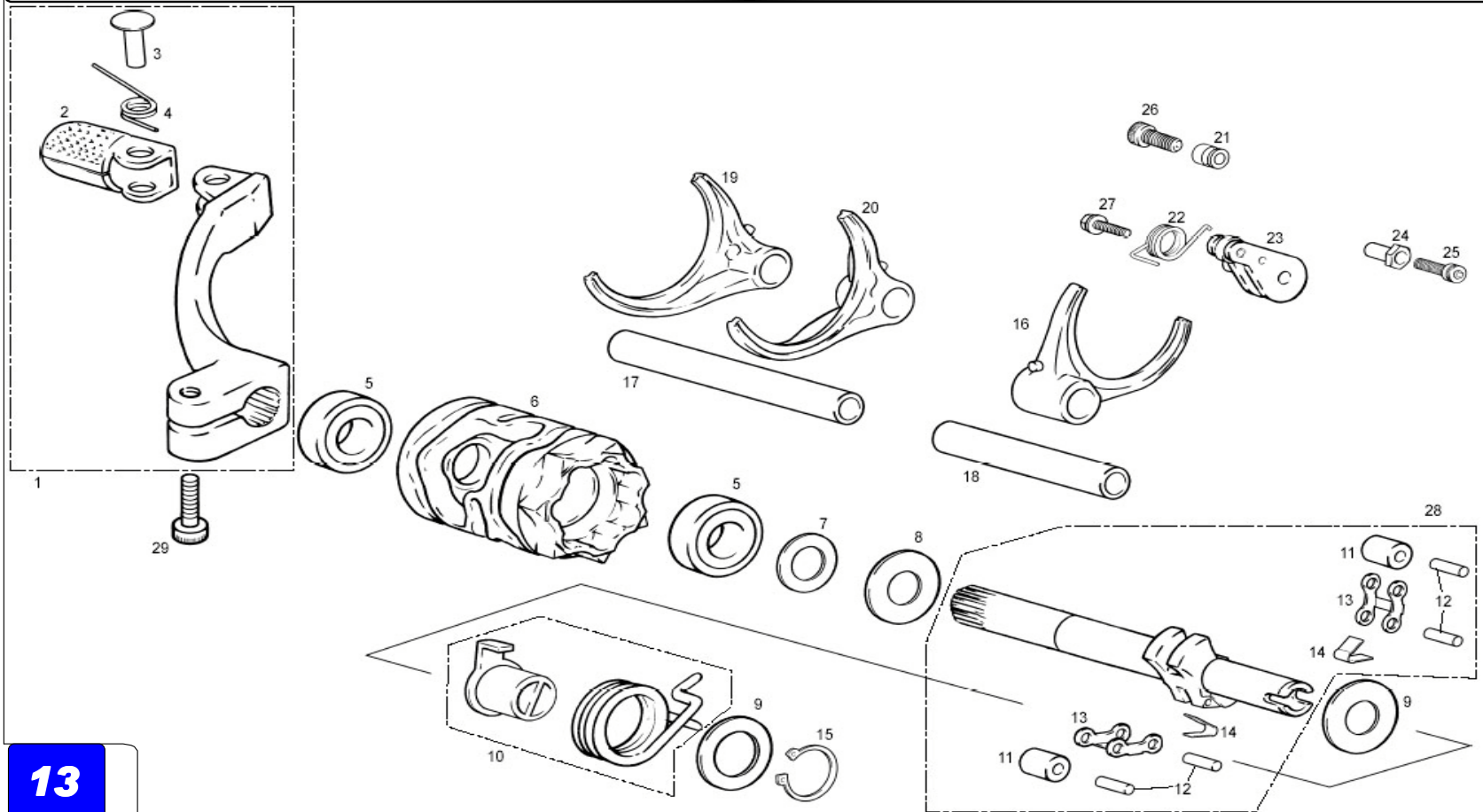
Nº	DESCRIPCION / DESCRIPTION	125 / 280 / 300	Cant.
1	ARANDELA 14X25X0,5 / 14X25X0,5 WASHER	T4001425	1
2	MUELLE ARRANQUE TRIAL / PEDAL KICKSTART SPRING	MT280226007	1
3	CENTRADOR MUELLE ARRANQUE / KICKSTART SPRING BUSHING	MT280226053	1
4	CIRCLIP EJE 18 MM / AXIS CIRCLIP	MT280226017	2
5	PIÑÓN ARRANQUE TRIAL 2002 / KICKSTART GEAR	MT280226002	1
6	EJE ARRANQUE TRIAL / KICKSTARTER SHAFT	MT890102811	1
7	MUELLE FRICCIÓN ARRANQUE / FRICTION KICKSTART SPRING	MT280226006	1
8	CASQUILLO PEDAL ARRANQUE / KICKSTART PEDAL BUSHING	MT280226066	1
9	ARANDELA 18,2X24X0,5 / 18,2X24X0,5 WASHER	T4001824	1
10	TUERCA PEDAL ARRANQUE / KICKSTART PEDAL NUT	MT280226065	1
11	TÓRICA NBR 12X1 / NBR O'RING	MT280226063	4
12	BOLA MUÑEQUILLA PEDAL / KICKSTART PEDAL BALL	ME250036062	1
13	MUELLE MUÑEQUILLA PEDAL / KICKSTART PEDAL SPRING	ME250036066	1
14	TORNILLO UFK M6X25 / M6X25 UFK SCREW	T0316025	1
15	MUÑEQUILLA PEDAL ARRANQUE / KICKSTART PEDAL BASE	MT280226061	1
16	CASQUILLO SUJECIÓN PEDAL / KICKSTART PEDAL BUSHING	MT280226068	1
17	CTO. PEDAL ARRANQUE TRIAL 2004 / KICKSTART PEDAL COMPLETE	MT280626060	1
18	ALLEN M6X35 / M6X35 ALLEN BOLT	T0306035	1



**Selector de cambio /  
Shift cam**

**GASGAS**

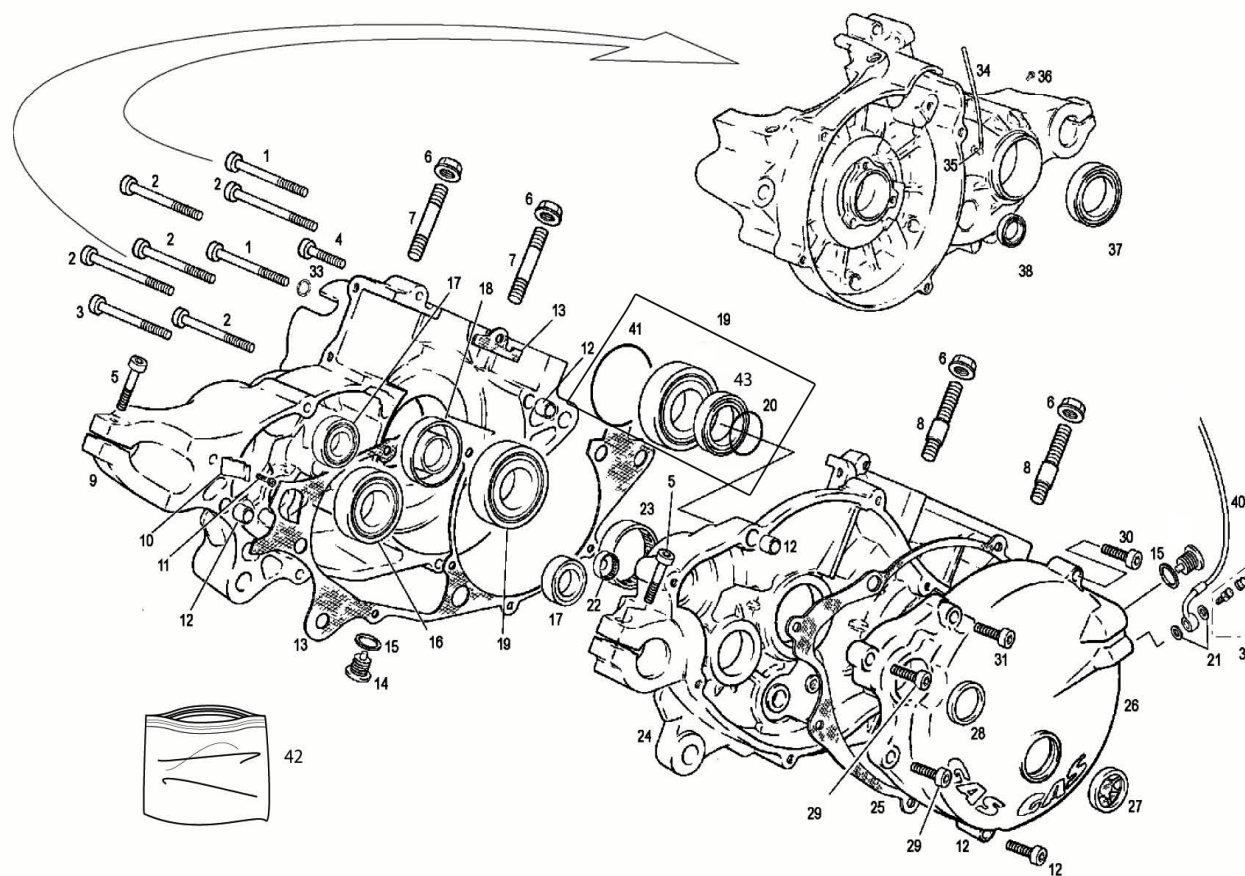
**TXT RACING 2012**



Nº	DESCRIPCION / DESCRIPTION	125 / 280 / 300	Cant.
1	CTO. PEDAL CAMBIO / GEAR PEDAL COMPLETE	MT280238026	1
2	PUNTERA PEDAL CAMBIO / GEAR PEDAL END	ME25636027	1
3	REMACHE PUNTERA CAMBIO / RIVOT PEDAL END	ME25636030	1
4	MUELLE PUNTERA PEDAL CAMBIO / PEDAL END SPRING	M121000	1
5	COJINETE 12X24X6 2Z DESMO / 12X24X6 2Z DESMO BEARING	MT280238032	2
6	DESMODRÓMICO / SHIFT DRUM	MT280238031	1
7	ARANDELA 12,2X18X0,5 / 12,2X18X0,5 WASHER	T4001218	1
8	ARANDELA 12,2X24X0,5 / 12,2X24X0,5 WASHER	T4001224	1
9	ARANDELA 10,2X24X0,5 / 10,2X24X0,5 WASHER	T4011024	2
10	POSICIONADOR Y MUELLE EJE SELECTOR / SHIFT SHAFT CENTER LOCATOR AND SPRING	MT280238037CT	1
11	RODILLO TRINQUETE SELECTOR / RATCHET ROLLER	MT280238040	2
12	AGUJA 3X13,8 / 3X13,8 NEEDLE	MT280238048	4
13	TRINQUETE SELECTOR / RATCHET ARM SELECTOR	MT280238036	2
14	MUELLE TRINQUETE SELECTOR / RATCHET SEL. SPRING	MT280238039	2
15	CIRCLIP E10 EJE / E10 SHAFT CIRCLIP	M03314011	1
16	HORQUILLA PRIMARIA / SHIFT FORK PRIMARY	MT280238009	1
17	EJE HORQUILLA LARGO / LONG FORK SHAFT	MT280238044	1
18	EJE HORQUILLA CORTO / SHORT FORK SHAFT	MT280238045	1
19	HORQUILLA 2-4-5-6 / 2-4-5-6 FORK	MT280238007	1
20	HORQUILLA 1-3 / 1-3 FORK	MT280238008	1
21	TOPE MUELLE FIJADOR / SPRING REST POST	MT280238049	1
22	MUELLE FIJADOR MARCHAS / GEAR SELECTOR SPRING	MT280238034	1
23	FIJADOR MARCHAS / GEAR SELECTOR ARM AND ROLLER	MT280238033	1
24	TOPE MUELLE EJE SELECTOR / SELECTOR SPRING TOP SHAFT	MT280238050	1
25	ALLEN 5X25 DACROMET / 5X25 DACROMET ALLEN BOLT	T0305025	1
26	ALLEN 5X20 / 5X20 ALLEN	T0305020	1
27	HEXAGONAL 5X25 CON ARANDELA / HEXAGONAL BOLT WITH WASHER	BT280010086	1
28	CONJUNTO EJE SELCTOR / SHIFT SHAFT SET	MT280238043	1
29	ALLEN 5X15 / 5X15 ALLEN	T0305015	1

**GASGAS**

**Motor 2**

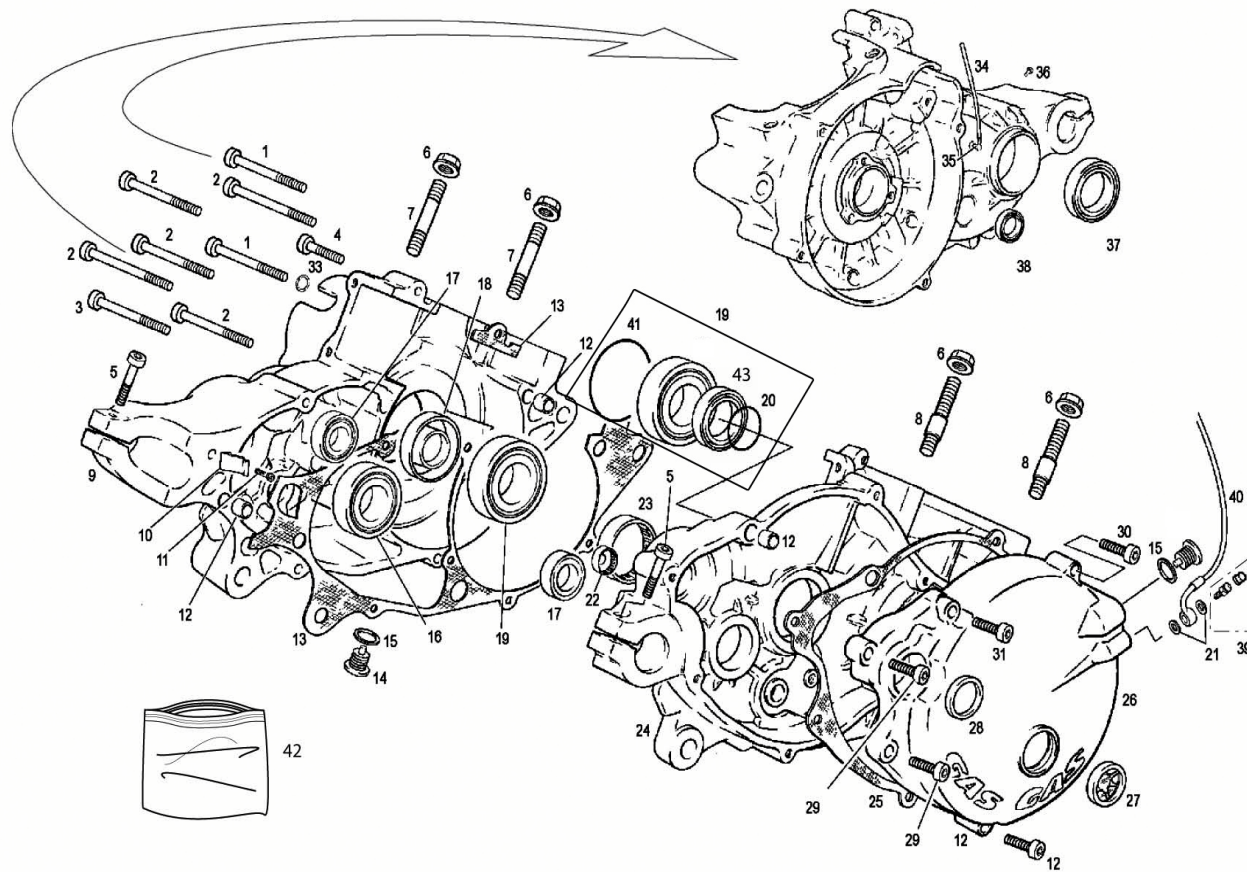


Nº	DESCRIPCION / DESCRIPTION	125	280 / 300	Cant.
1	ALLEN 5X65 ZINCADO NEGRO / 5X65 BLACK ALLEN BOLT		T0315065	2
2	ALLEN 5X55 ZINCADO NEGRO / 5X55 BLACK ALLEN BOLT		T0305055	5
3	ALLEN 5X75 ZINCADO NEGRO / 5X75 BLACK ALLEN BOLT		T0315075	1
4	ALLEN 5X35 DACROMET / 5X35 DACROMET ALLEN BOLT		T0305035	1
5	ALLEN 5X20 DACROMET / 5X20 DACROMET ALLEN BOLT		T0305020	2
6	TUERCA CILINDRO 8.8 ESP / CILINDER NUT		M01613001	4
7	ESPÁRRAGO CILINDRO / BASE STUD CYLINDER LEFT		MT280216023	2
8	ESPÁRRAGO CON CENTRAJE / BASE STUD CYLINDER RIGHT		MT280216056	2
9	CARTER MG TRATADO IZQ. TRIAL RACING		MT280310001RA	1
10	TOPE ARRANQUE TRIAL / STOP KICKSTART PEDAL		MT890202811	1
11	ALLEN 5X15 DACROMET / 5X15 DACROMET ALLEN BOLT		T0305015	1
12	CASQUILLO CENTRADOR CÁRTER 6X9X14 / CRANKCASE BUSHING		M01017000	4
13	JUNTA CÁRTER CENTRAL 0.2 MM / CENTER CRANKCASE GASKET		MT280344001	1
14	TAPÓN VACIADO ACEITE CON IMÁN / MAGNETIC OIL DRAIN PLUG		ME25610017	1
15	ARANDELA TIPO BUJÍA 12X18X2 / WASHER		MT280410030	2
16	COJINETE 25X47X12 / 25X47X12 / BEARING		MT280236159	1
17	COJINETE 15X32X9 6002 2RSL CAMBIO / BEARING GEAR		MT280236160	2
18	RETÉN 25X35X7 TEFLÓN CIGUEÑAL IZQUIERDO / OIL SEAL CRANK SHAFT		MT280212009	1
19	COJINETE CIGUEÑAL ST5225 / ST5225 CRANKSHAFT BEARING		MT31000CT2811	2
20	TÓRICA 25X1.5 NBR / O'RING		MT280212025	2
21	ARANDELA AM 10X14X1.5 / WASHER		BT280422007	2
22	COJINETE BK1412 ARRANQUE TRIAL / KICKSTART BEARING		MT280226067	1
23	COJINETE 35X45X12 NQ (EJE PRIMARIO) / 35X45X12 BEARING		MT280236158	1
24	CARTER MG TRATADO DRCHO. TRIAL PRO RACING		MT280310000RA	1
25	JUNTA TAPA EMBRAGUE / CLUTCH COVER GASKET		MT280244002	1
26	TAPA EMBRAGUE TRIAL PRO 300 RA 2005		MT280532001RA	1
27	VISOR NIVEL ACEITE EC400-4T / OIL LEVEL SIGHT GLASS		MFS400110015	1
28	RETÉN 18-24-4 TRIAL 2002 / 18-24-4 4 KICKSTART SHAFT SEAL		MT280226016	1
29	ALLEN 5X25 DACROMET / 5X25 DACROMET ALLEN BOLT		T0305025	2
30	ALLEN 5X30 DACROMET / 5X30 DACROMET ALLEN BOLT		T0305030	2
31	ALLEN 5X40 DACROMET / 5X40 DACROMET ALLEN BOLT		T0305040	1
32	TAPÓN LLENADO ACEITE / OIL FILL PLUG		M01016002	1
33	ARANDELA 5X9X1,5 COBRE / 5X9X1,5 WASHER		T4000509	1

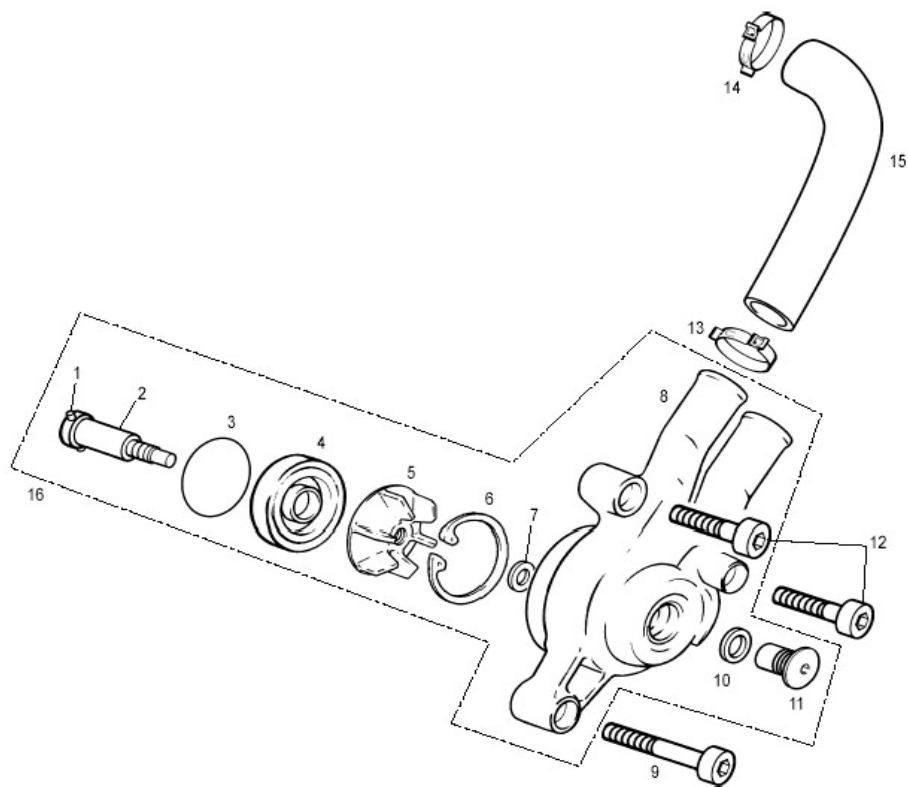
**GASGAS**

**Motor 3**

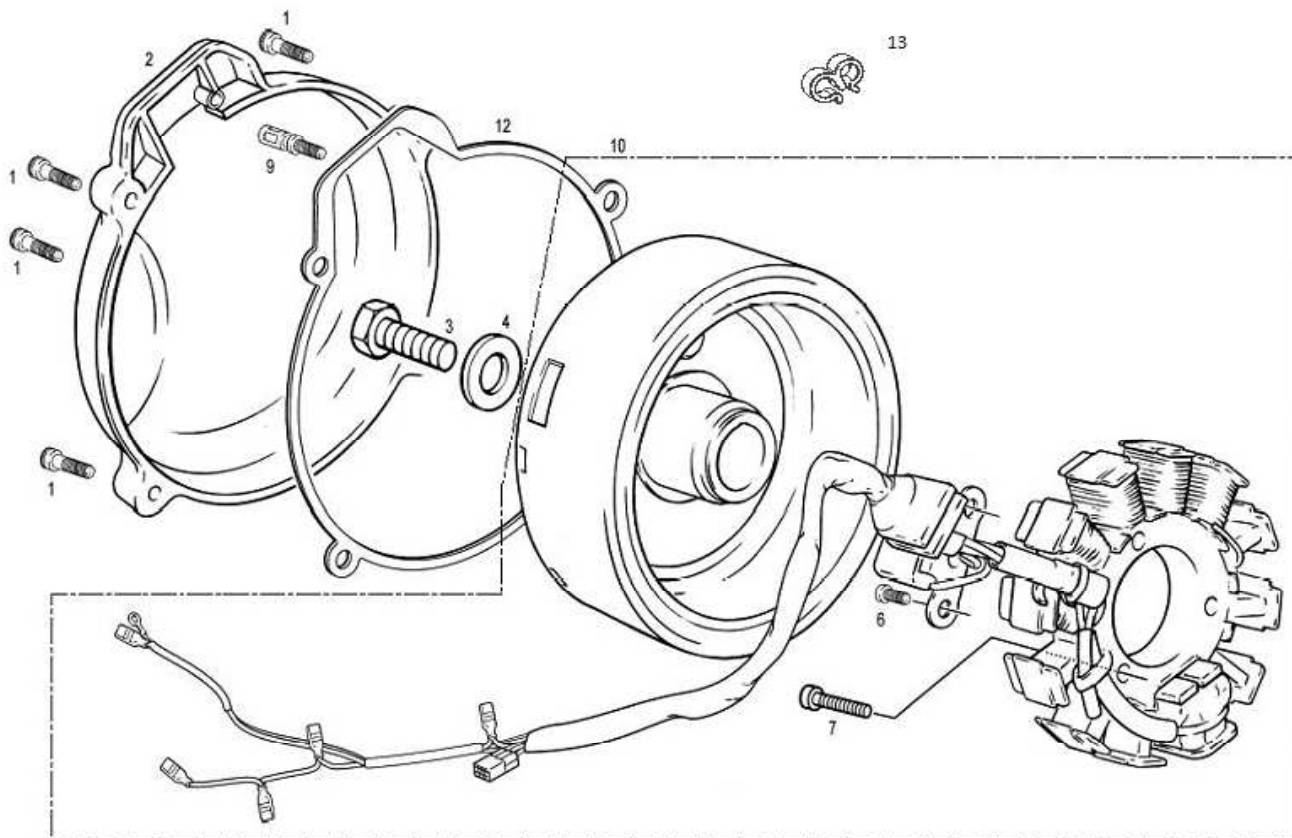






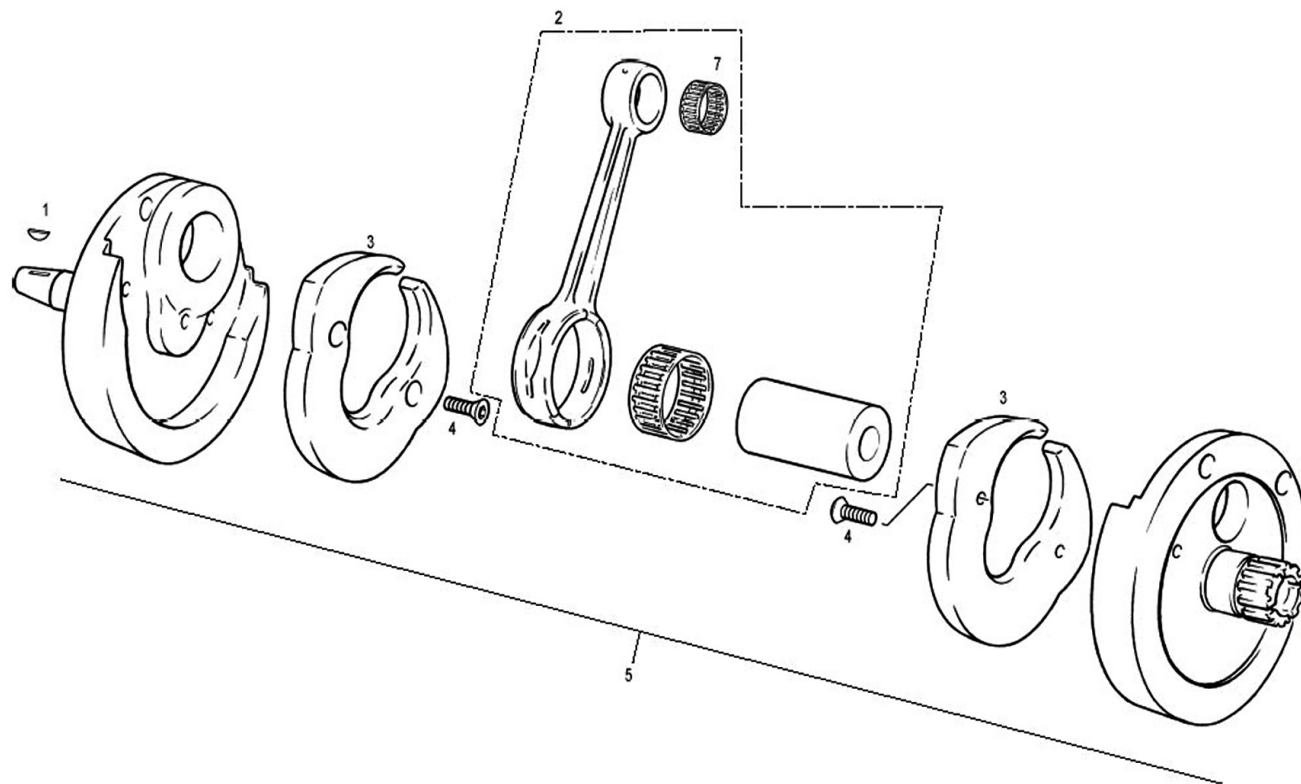






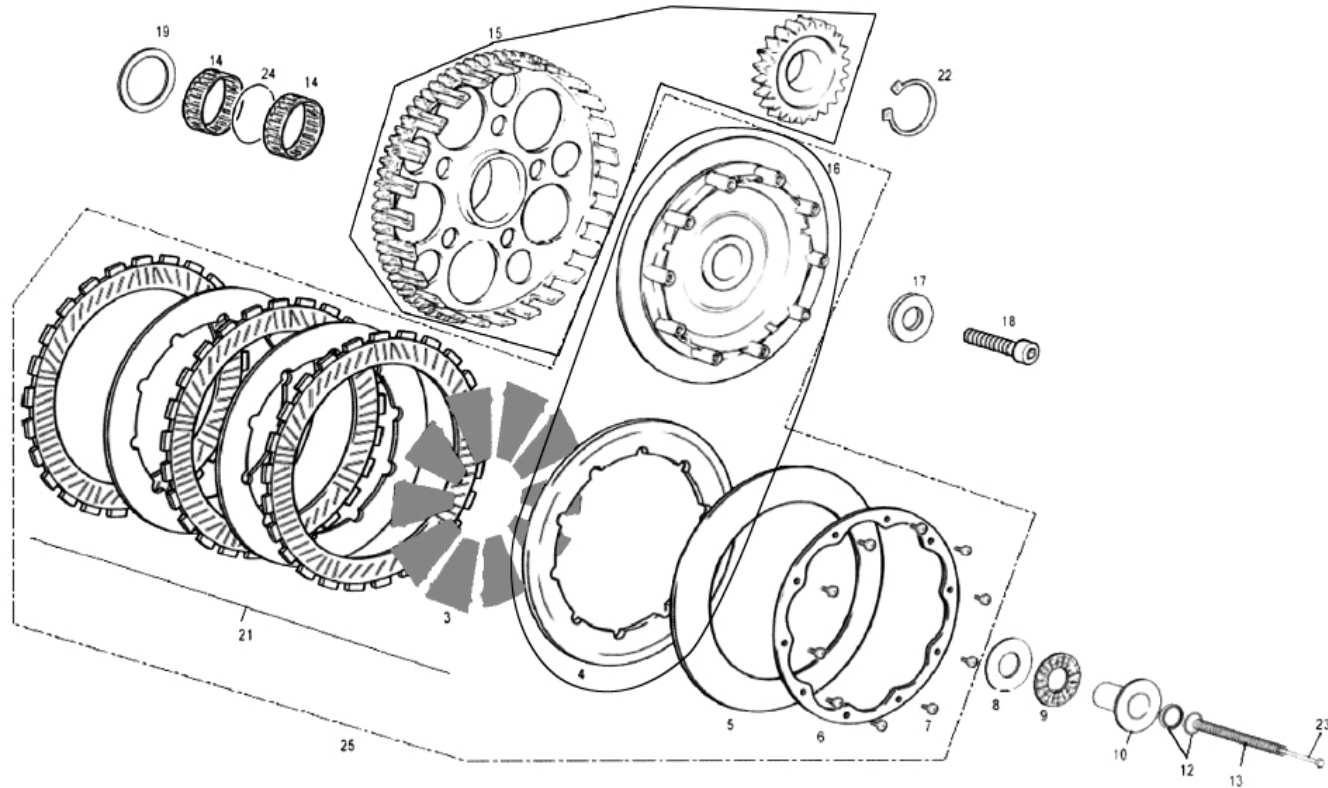


**125 cc / 280 cc / 300 cc**

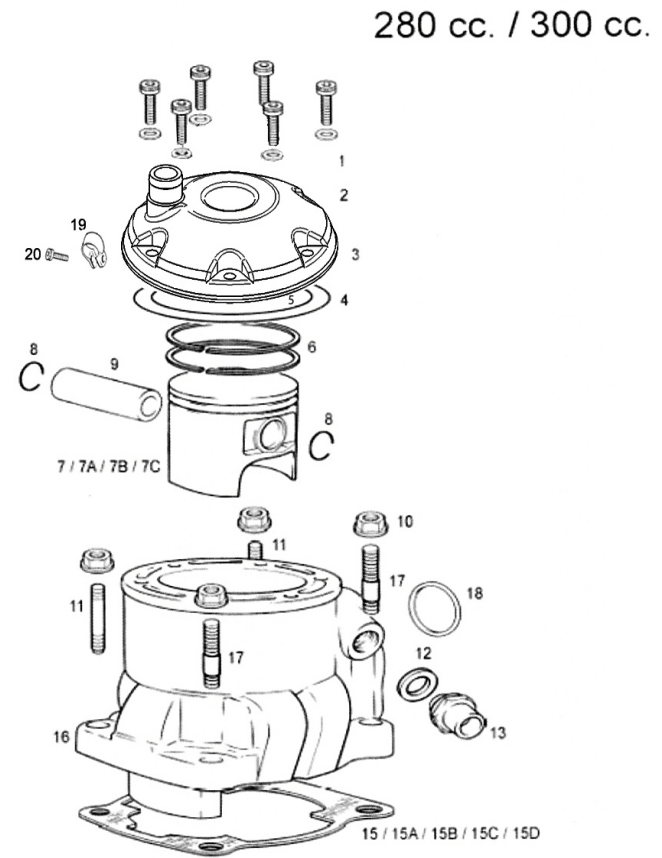
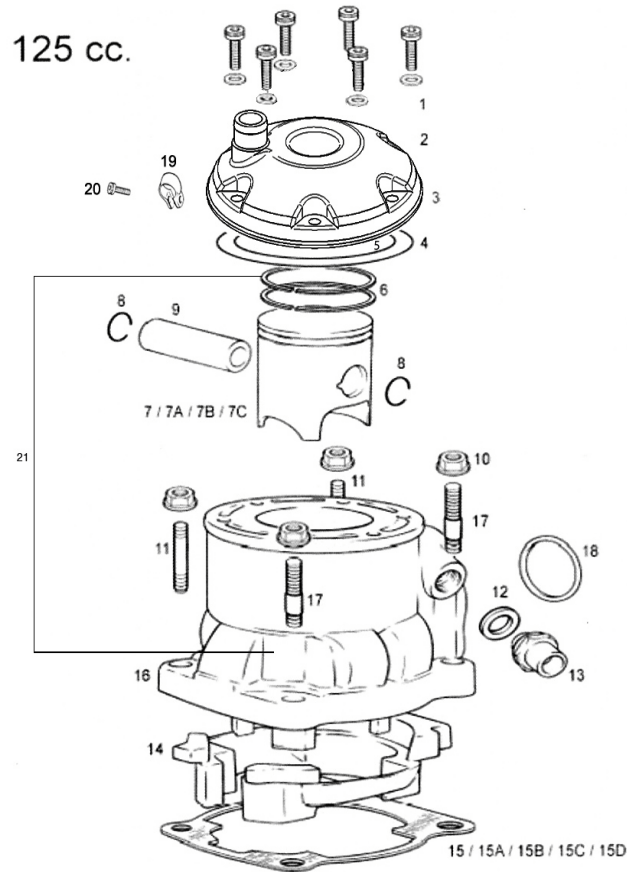








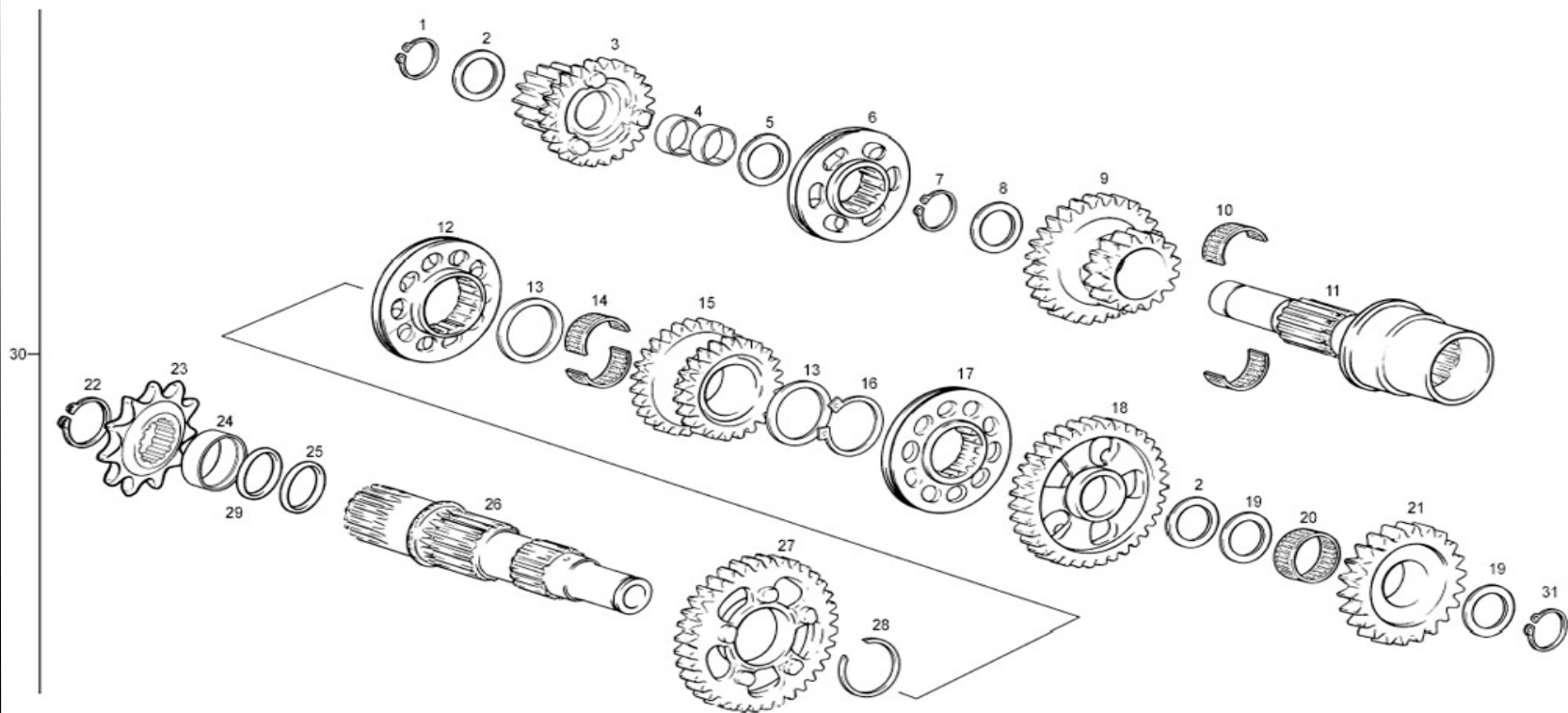




Nº	DESCRIPCION / DESCRIPTION	125	280	300	Cant.
1	ALLEN 6X25 / 6X25 ALLEN BOLT		T0306025	-	6
2	ARANDELA COBRE 6X10X1.5 / 6X10X1.5 WASHER		T4006008	-	6
3	CULATA TRIAL 2003 / CYL. HEAD	MT750001209	MT750002810	MT750003010	1
4	TÓRICA CULATA EXTERIOR / O'RING CYL. EXTERIOR	ME120116060	M01619135	-	1
5	TÓRICA CULATA INTERIOR / O'RING CYL. INTERIOR	MT120210040	M01619215	MT300416065	1
6	AROS PISTÓN / PISTON RING	MT120216040	MT710012808	MT710203010	2
7	PISTÓN TRIAL SXXI / PISTON TRIAL	MT120216020	MT71000CT2808	MT710003010	1
7A	PISTÓN LETRA B / PISTON B	MT120216121	MT71001CT2808	MT710013010	1
7B	PISTÓN LETRA C / PISTON C	MT120216122	MT280216122	MT300316122	1
7C	PISTÓN LETRA D / PISTON D	MT120216123	MT280216123	MT300316123	1
8	CIRCLIP PISTÓN / CLIP PISTON	ME25616126	MT280216126	MT280216126	2
9	BULÓN PISTÓN / PIN PISTON	MT120216125	MT280216125	MT280216125	1
10	TUERCA CILINDRO / CYLINDER NUT		M01613001	-	4
11	ESPÁRRAGO CILINDRO / STUD BOLT CYLINDER		MT280216023	-	2
12	ARANDELA PLANA FIBRA / FIBER WASHER		M01612026	-	1
13	RACORD CILINDRO / CYLINDER WATER HOSE NECK		MT280210013	-	1
14	ADAPTADOR CILINDRO / CYLINDER ADAPTER	MT120216087	-	-	1
15	JUNTA CILINDRO 0,8 mm. / 0,8 mm. GASKET CYLINDER BASE		MT280244000	-	1
15A	JUNTA CILINDRO 0,3 mm. / 0,3 mm GASKET CYLINDER BASE		MT208224009	-	1
15B	JUNTA CILINDRO 1 mm. / 1 mm. GASKET CYLINDER BASE		MT280244010	-	1
15C	JUNTA CILINDRO 0,5 mm. / 0,5 mm. GASKET CYLINDER BASE	MT120244000	MT942002810	MT942002810	1
15D	JUNTA CILINDRO 0,15 mm. / 0,15 mm. GASKET CYLINDER BASE		MT280244015	-	1
16	CILINDRO TRIAL / CYLINDER	MT120716022	MT70002809	MT70003009	1
17	ESPÁRRAGO CON CENTRAJE / STUD WITH CENTER		MT280216056	-	2
18	JUNTA ESCAPE / EXHAUST GASKET		MT280244012	-	1
19	GRAPA SUJECCION CABLES / WIRE SUPPORT	ET750502809	ET750502809	ET750502809	1
20	ALLEN 4X6 ZINCADO / M4X6 ALLEN	T0304006	T0304006	T0304006	1
21	CTO. CILINDRO Y PISTON / SET CYLINDER AND PISTON	MT120716022CT	MT70000CT2809	MT70000CT3009	1

**GASGAS**

**Motor 9**



30

Nº	DESCRIPCION / DESCRIPTION	125 / 280 / 300	Cant.
1	CIRCLIP E15 DIN471 / E15 CIRCLIP	MT280236163	2
2	ARANDELA 15,2X23X0,5 / 15,2X23X0,5 WASHER	T4001523	4
3	PIÑÓN 2 / PINION 2	MT280236071	1
4	DOLLA / BUSHING	MT280236164	2
5	ARANDELA 17X23X0,5 / 17X23X0,5 WASHER	T4001723	1
6	DESPLAZABLE PRIMARIO / PRIMARY SELECTOR DISC	MT280236073	1
7	CIRCLIP E20 DIN 471 REBAJADO / E20 CIRCLIP	MT280236165	1
8	ARANDELA 20X25X0,5 / 20X25X0,5 WASHER	T4002025	1
9	PIÑÓN 3 / PINION 3	MT280236072	1
10	JAULA AGUJAS / NEEDLE BEARING	MT280236162	2
11	EJE PRIMARIO / PRIMARY SHAFT	MT280236070	1
12	DESPLAZABLE 2 SECUNDARIO / SECONDARY SELECTOR DISC	MT280236080	1
13	ARANDELA 22X27X0,5 / 22X27X0,5 WASHER	T4002227	2
14	JAULA AGUJAS / NEEDLE BEARING	MT280236161	2
15	PIÑÓN 5 / PINION 5	MT280236078	1
16	CIRCLIP E22 DIN471 / E22 CIRCLIP	MT280236166	1
17	DESPLAZABLE 3 SECUNDARIO / SECONDARY SELECTOR DISC	MT280236079	1
18	PIÑÓN 3 SECUNDARIO / SECONDARY 3 GEAR	MT280236076	1
19	ARANDELA / WASHER	M02622001	2
20	JAULA AGUJAS / NEEDLE BEARING	MT280226015	1
21	PIÑÓN INTERMEDIO ARRANQUE / GEAR, IDLE KICKSTART	MT880002810	1
22	CIRCLIP E25 / E25 CIRCLIP	MT280212023	1
23	PIÑÓN CADENA SALIDA / SPROCKET, COUNTERSHAFT z.11	MT280236525	1
23B	PIÑÓN CADENA SALIDA / SPROCKET, COUNTERSHAFT z.09	MT120236526	1
23C	PIÑÓN CADENA SALIDA / SPROCKET, COUNTERSHAFT z.10	MT200236525	1
24	CASQUILLO RETÉN SALIDA CAMBIO / SHIFT SEAL BUSHING	MT280236046	1
25	TÓRICA 25X2 NBR / NBR 25X2 O'RING	ME25632025	1
26	EJE SECUNDARIO / SECONDARY SHAFT	MT280236075	1
27	PIÑÓN 2 SECUNDARIO / SECONDARY 2 GEAR	MT280236077	1
28	CIRCLIP SW25 / SW25 CIRCLIP	MT280236167	1
29	TÓRICA 25X1,5 NBR / 25X1,5 O'RING	MT280212025	1
30	CTO. CAMBIO TRIAL / TRANSMISSION COMPLETE	MT280236010	1
31	CLIP DE 15MM PIÑÓN INT. ARRANQUE / 15MM. CIRCLIP	M02633000	1

**GASGAS**

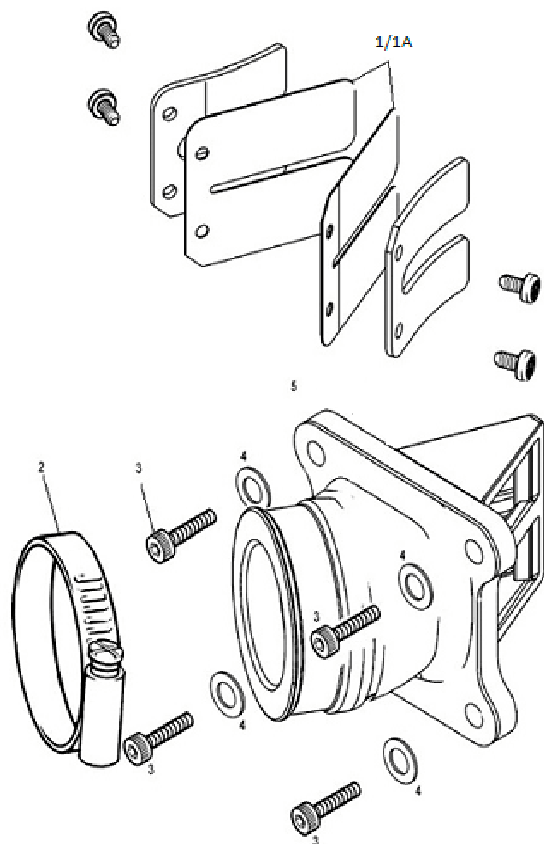
**Motor 10**

**Caja laminas /  
Reed valve**

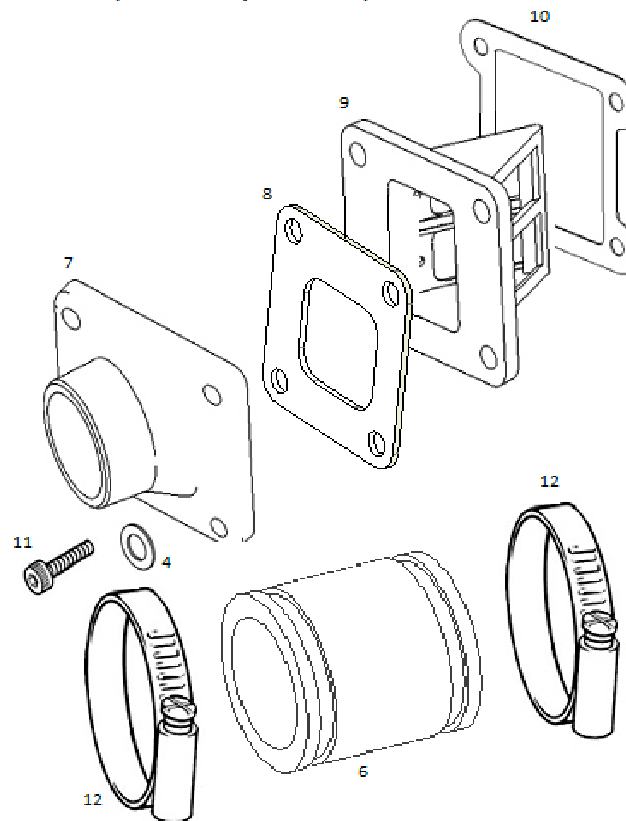
**GASGAS**

**TXT RACING 2012**

(PARA DELLORTO / FOR DELLORTO)

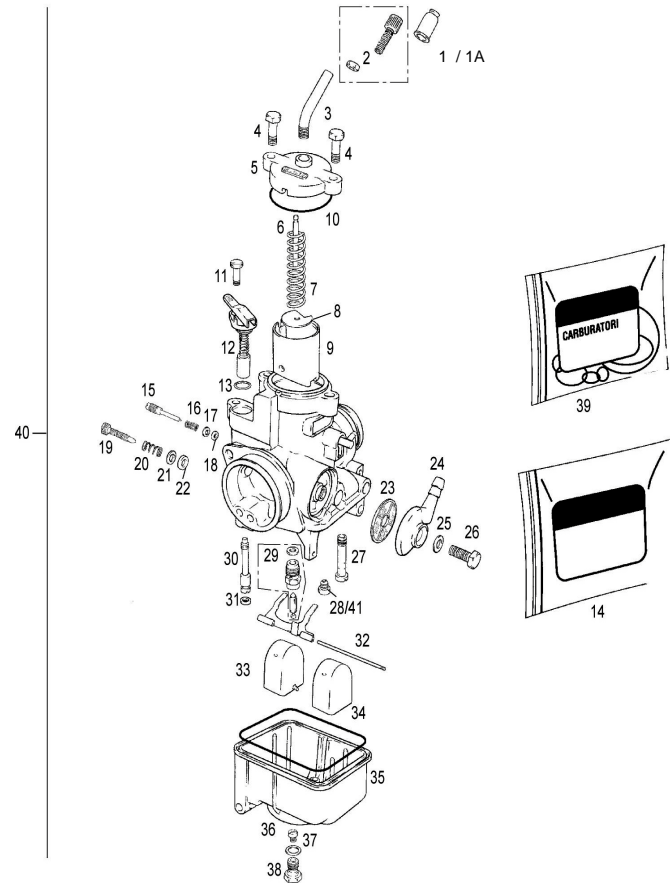


(PARA KEIHIN / FOR KEIHIN)









Nº	DESCRIPCION / DESCRIPTION	125	280 / 300	Cant.
1	CAPUCHÓN TENSOR CABLE GAS / ADJ. TENSION THROTTLE CABLE		M09001055	1
1A	CAPUCHON TENSOR CABLE GAS CEX		M09001055	1
2	CTO. TENSOR CABLE / CABLE TENSION SET SCREW		M09001230	1
3	TENSOR CABLE GAS / CABLE TENSION TUBE		M09001032	1
4	TORNILLO TAPA CARBURADOR / SCREW COVER CARBURETOR		M09001025	2
5	TAPA CARBURADOR / COVER CARBURETOR		M09001156	1
6	AGUJA D36 3º PUNTO / NEEDLE D36		M09003136	1
7	MUELLE COMPUERTA / SPRING SLIDE		M09001015	1
8	PLANCHA SUJECIÓN CABLE GAS / CABLE RETAINER PLATE		M09001010	1
9	COMPUERTA / VALVE SLIDE	M09002050	M09002060	1
10	TÓRICA TAPA CARBURADOR / O		M09001050	1
11	TORNILLO SUJ. STARTER / CHOKE SCREW		M09001110	1
12	MANDO STARTER / CHOKE LEVER ASSY.		M09001105	1
13	TÓRICAS STARTER / CHOKE O'RING		M09001065	1
14	KIT CARBURACIÓN / CARBURETOR KIT	MT25000071211	MT25000133011	1
15	TORNILLO REG. ENTRADA AIRE / REG. ENTRANCE SCREW		M09001115	1
16	MUELLE TORNILLO REG. AIRE / SPRING SCREW REG. AIR		M09001120	1
17	ARANDELA TORN. REG. AIRE / WASHER SCREW BOLT REG. AIR		M09001125	1
18	TÓRICA TORNILLO REG. AIRE / O'RING SCREW BOLT REG. AIR		M09001075	1
19	TORNILLO REG. COMPUERTA / SCREW BOLT REG. SLIDE		M09001035	1
20	MUELLE TORNILLO REG. COMPUERTA / SPRING SCREW SLIDE		M09001040	1
21	ARANDELA TORNILLO REG. COMP. / WASHER SCREW REG. SLIDE		M09001045	1
22	TÓRICA TORNILLO REG. COMP. / O'RING SCREW REG. SLIDE VALVE		M09001060	1
23	JUNTA PIPETA GASOLINA / FUEL FILTER DISC		M09001095	1
24	PIPETA ENTRADA GASOLINA / FUEL ENTRY TUBE		M09001135	1
25	JUNTA TORNILLO PIPETA / GASKET SCREW BOLT		M09001100	1
26	TORNILLO PIPETA / BOLT		M09001140	1
27	EMULSOR / NEEDLE JET		M09005271	1
28	CHICLE RALENTÍ 30 / JET SLOW 30		M09004035	1
29	VÁLVULA FLOTADOR / FLOAT VALVE		M09001200	1
30	CHICLE STARTER 60 / JET CHOKE 60		M09007060	1
31	TÓRICA CHICLE STARTER / O'RING JET CHOKE		M09001070	1
32	EJE FLOTADOR / FLOAT SHAFT		M09001145	1

**GASGAS**

**Motor 12**

