

# EC 250-F 4T

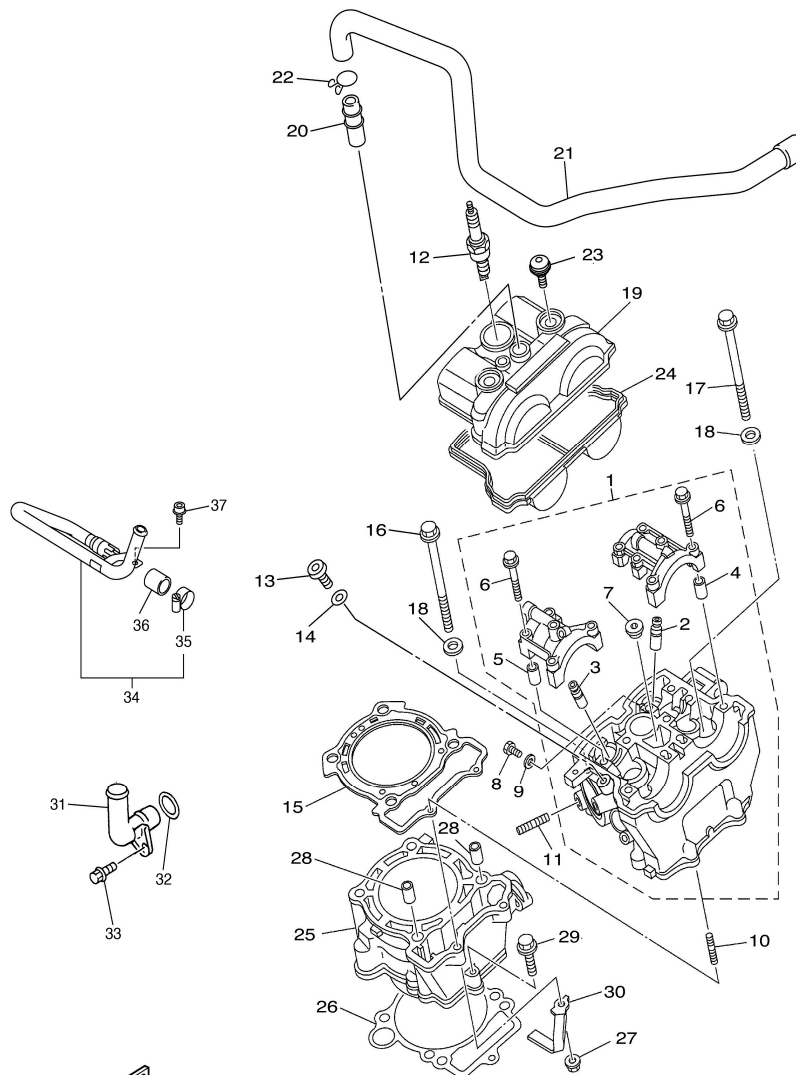
DESPIECE / PART LIST

# 2012



**GASGAS**





Nº	DESCRIPCION / DESCRIPTION		Cant
1	CYLINDER HEAD ASSY	5UM-11101-10	1
2	.GUIDE, VALVE 1	5NL-11133-10	3
3	.GUIDE, VALVE 2	5NL-11134-10	2
4	.PIN, DOWEL	91808-16023	2
5	.PIN, DOWEL	91808-16023	2
6	.BOLT, FLANGE	90105-06027	10
7	.PLUG, STRAIGHT SCREW	90340-12007	1
8	BOLT, FLANGE	95022-06010	1
9	GASKET	90430-06014	1
10	BOLT, STUD	90116-06038	2
11	BOLT, STUD	95612-08620	2
12	PLUG, SPARK (NGK R CR9E)	94701-00410	1
13	PLUG, STRAIGHT SCREW	90340-12007	1
14	WASHER, PLATE	90201-12790	1
15	GASKET, CYLINDER HEAD 1	5NL-11181-00	1
16	BOLT, FLANGE	90105-09004	2
17	BOLT, FLANGE	90105-09002	2
18	WASHER, PLATE	90201-096J9	4
19	COVER, CYLINDER HEAD 1	5NL-11191-40	1
20	PIPE, BREATHER 2	371-11167-01	1
21	PIPE, BREATHER 1	5UM-11166-00	1
22	CLIP	90467-140A4	1
23	BOLT, COVER HEAD	5UM-1119E-00	2
24	GASKET, HEAD COVER 1	5NL-11193-00	1
25	CYLINDER 1	5XC-11311-10	1
26	GASKET, CYLINDER	5NL-11351-00	1
27	NUT, FLANGE	95702-06500	2
28	PIN, DOWEL	93612-16254	2
29	BOLT, FLANGE	95022-06035	1
30	CLAMP, HOSE 1	5UM-11387-00	1

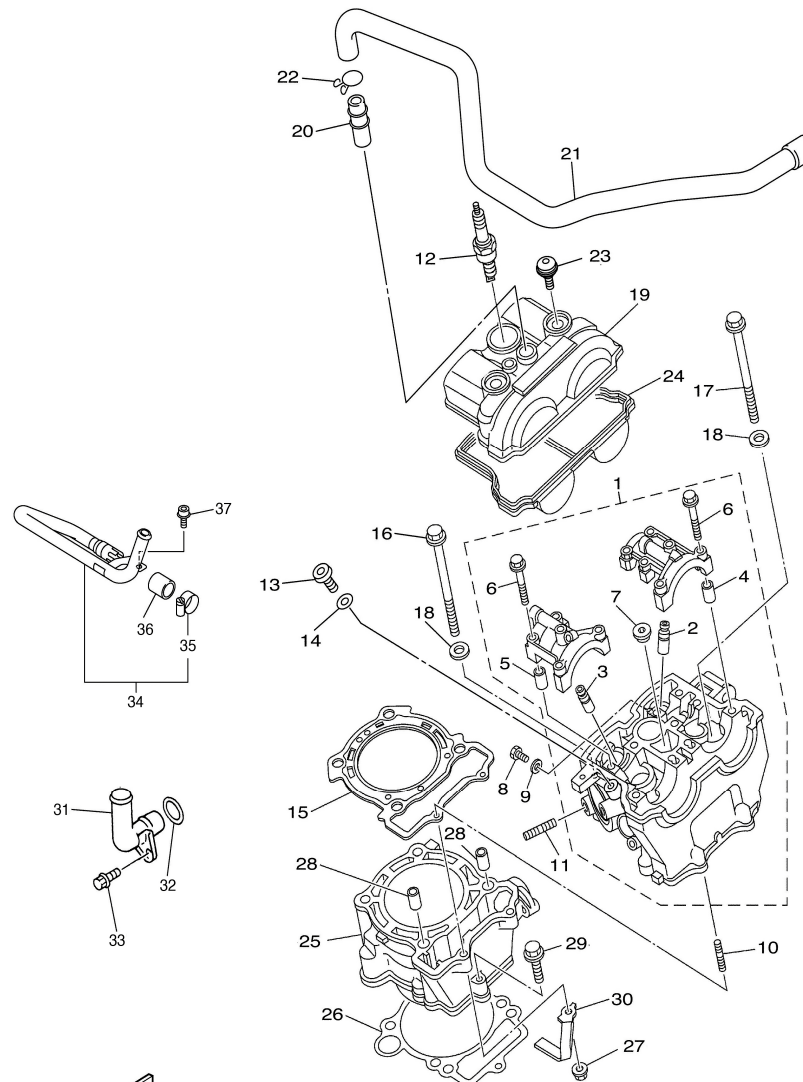
**GASGAS**

**Motor 1**

**CILINDRO  
CYLINDER**

**GASGAS**

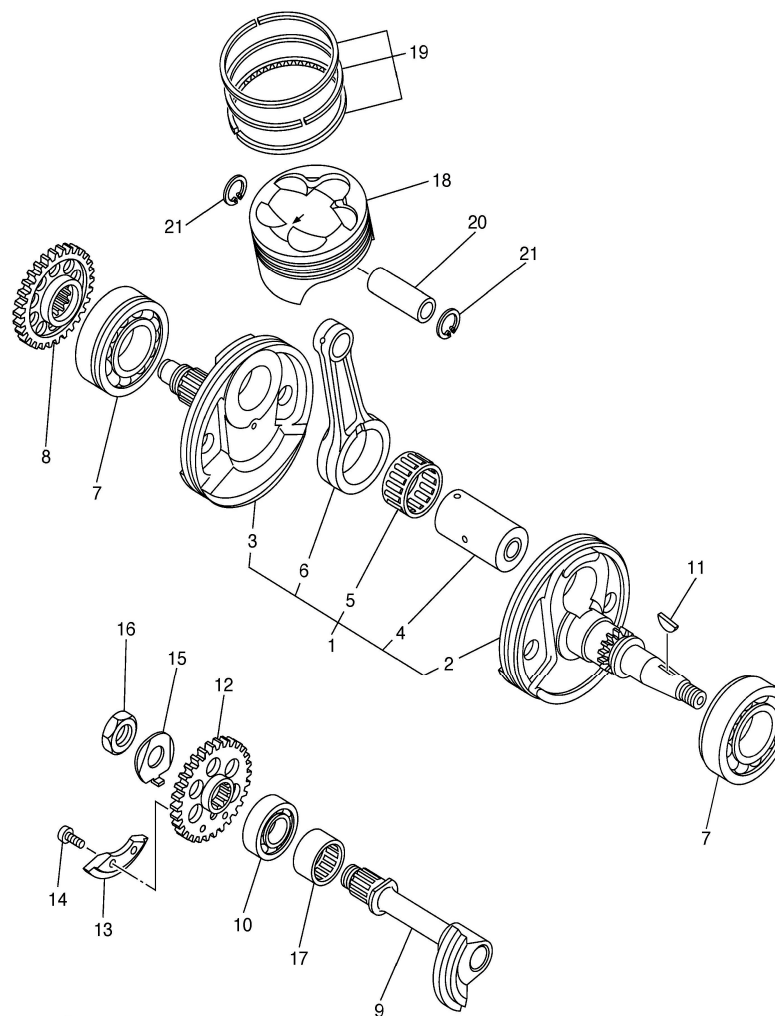
**ECI250-FI 2012**



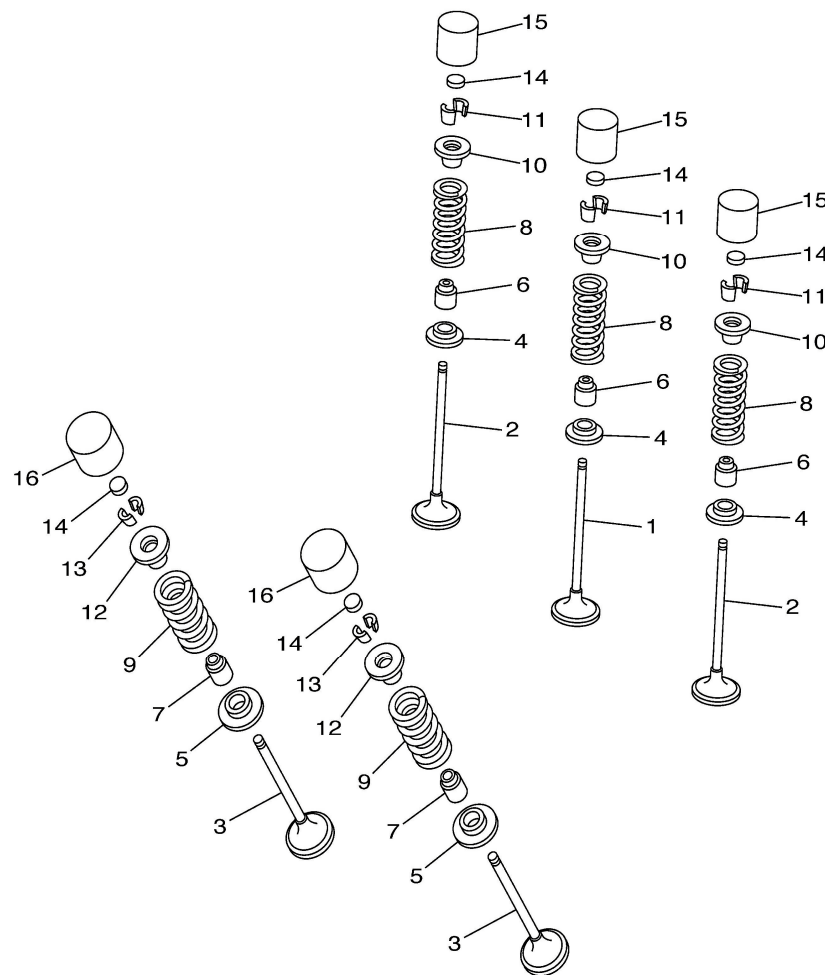
**1**







Nº	DESCRIPCION / DESCRIPTION		Cant
1	CRANKSHAFT ASSY	5UM-11400-31	1
2	.CRANK 1	5UM-11412-20	1
3	.CRANK 2	5UL-11422-10	1
4	.PIN, CRANK 1	5XC-11681-01	1
5	.BEARING	93310-63238	1
6	.ROD, CONNECTING	5XC-11651-00	1
7	BEARING	93306-20648	2
8	GEAR, DRIVE	5NL-11536-10	1
9	SHAFT 1	5NL-11455-00	1
10	BEARING	93306-20335	1
11	KEY, WOODRUFF	90280-03006	1
12	GEAR, BALANCE WEIGHT	5NL-11531-00	1
13	WEIGHT 1	5NL-11454-00	1
14	SCREW	90149-06084	2
15	WASHER, LOCK	90215-14204	1
16	NUT	90170-14171	1
17	BEARING	93311-32261	1
18	PISTON (STD)	5NL-11631-20	1
19	PISTON RING SET (STD)	5NL-11603-00	1
20	PIN, PISTON	5NL-11633-00	1
21	CIRCLIP	93420-16086	2

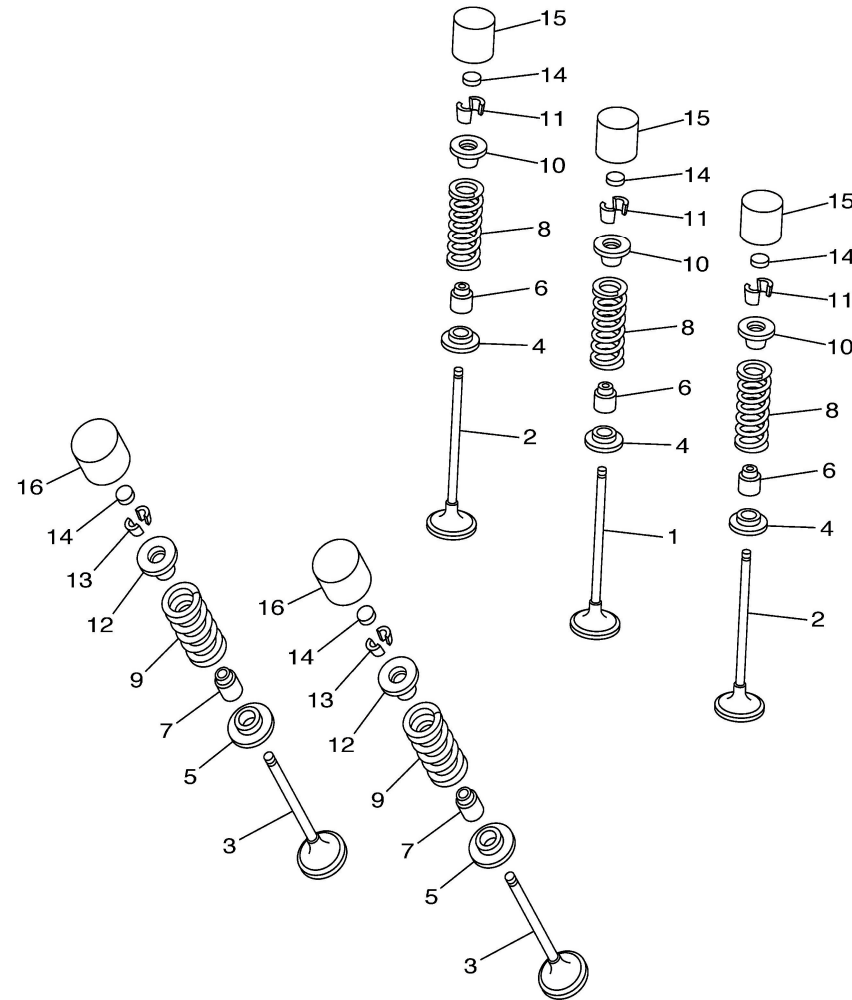




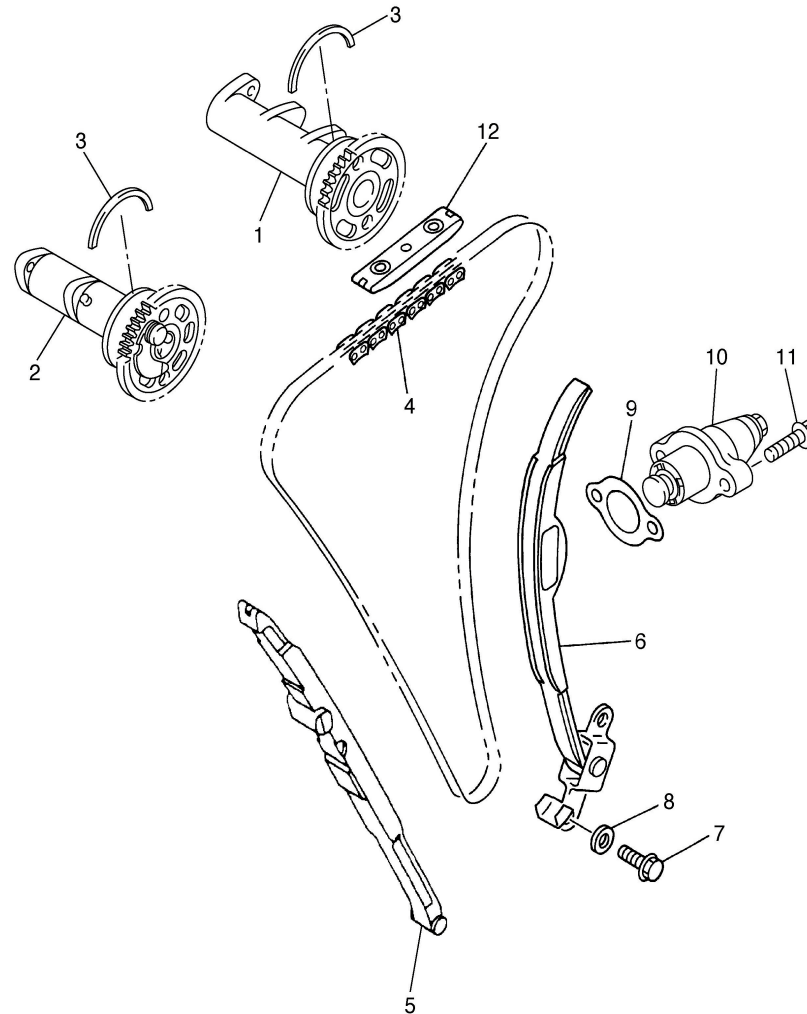
Nº	DESCRIPCION / DESCRIPTION		Cant
1	VALVE, INTAKE	5NL-12111-20	1
2	VALVE, INTAKE 2	5NL-12112-20	2
3	VALVE, EXHAUST	5NL-12121-10	2
4	SEAT, VALVE SPRING	5NL-12116-00	3
5	SEAT, VALVE SPRING 2	3GM-12126-00	2
6	SEAL, VALVE STEM	4TV-12119-00	3
7	SEAL, VALVE STEM	4SV-12119-00	2
8	SPRING, VALVE INNER	5UM-12113-00	3
9	SPRING, VALVE OUTER	5NL-12114-00	2
10	RETAINER, VALVE SPRING	1HX-12117-00	3
11	COTTER, VALVE	1HX-12118-00	6
12	RETAINER, VALVE SPRING	1WG-12117-00	2
13	COTTER, VALVE	1WG-12118-00	4
14	PAD, ADJUSTING 2 (1.20)	1HX-12168-00	5
	PAD, ADJUSTING 2 (1.25)	1HX-12168-20	5
	PAD, ADJUSTING 2 (1.30)	1HX-12168-40	5
	PAD, ADJUSTING 2 (1.35)	1HX-12168-60	5
	PAD, ADJUSTING 2 (1.40)	1HX-12168-80	5
	PAD, ADJUSTING 2 (1.45)	1HX-12168-A0	5
	PAD, ADJUSTING 2 (1.50)	1HX-12168-F0	5
	PAD, ADJUSTING 2 (1.55)	1HX-12168-H1	5
	PAD, ADJUSTING 2 (1.60)	1HX-12168-K1	5
	PAD, ADJUSTING 2 (1.65)	1HX-12168-M1	5
	PAD, ADJUSTING 2 (1.70)	1HX-12168-R1	5
	PAD, ADJUSTING 2 (1.75)	1HX-12168-U1	5
	PAD, ADJUSTING 2 (1.80)	1HX-12168-W1	5
	PAD, ADJUSTING 2 (1.85)	1HX-12168-Y1	5
	PAD, ADJUSTING 2 (1.90)	1HX-12169-11	5
	PAD, ADJUSTING 2 (1.95)	1HX-12169-31	5
	PAD, ADJUSTING 2 (2.00)	1HX-12169-50	5

**GASGAS**

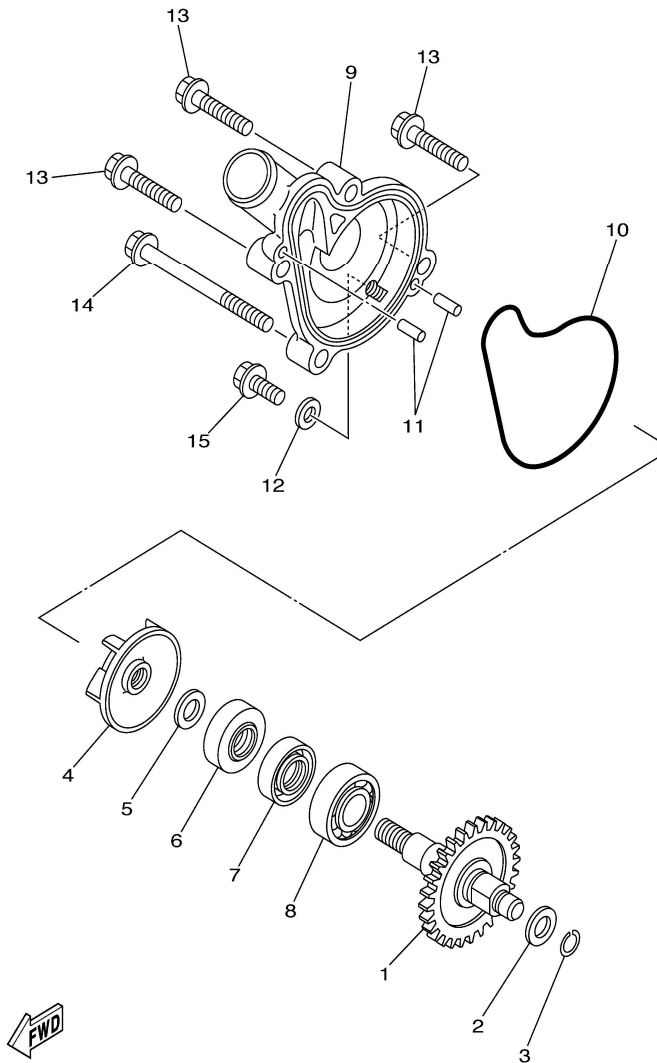
**Motor 3**







Nº	DESCRIPCION / DESCRIPTION		Cant
1	CAMSHAFT ASSY 1	5UM-12170-10	1
2	CAMSHAFT ASSY 2	5UM-12180-20	1
3	CIRCLIP	93440-41178	2
4	CHAIN	94591-53114	1
5	DAMPER, CHAIN 1	5NL-12251-10	1
6	DAMPER, CHAIN 2	5NL-12252-00	1
7	BOLT	97022-06016	2
8	WASHER, PLATE	92902-06600	2
9	GASKET, TENSIONER CASE	4FM-12213-00	1
10	TENSIONER ASSY, CAM CHAIN	5TA-12210-20	1
11	BOLT, FLANGE	95022-06025	2
12	GUIDE, STOPPER 2	5BE-12241-00	1

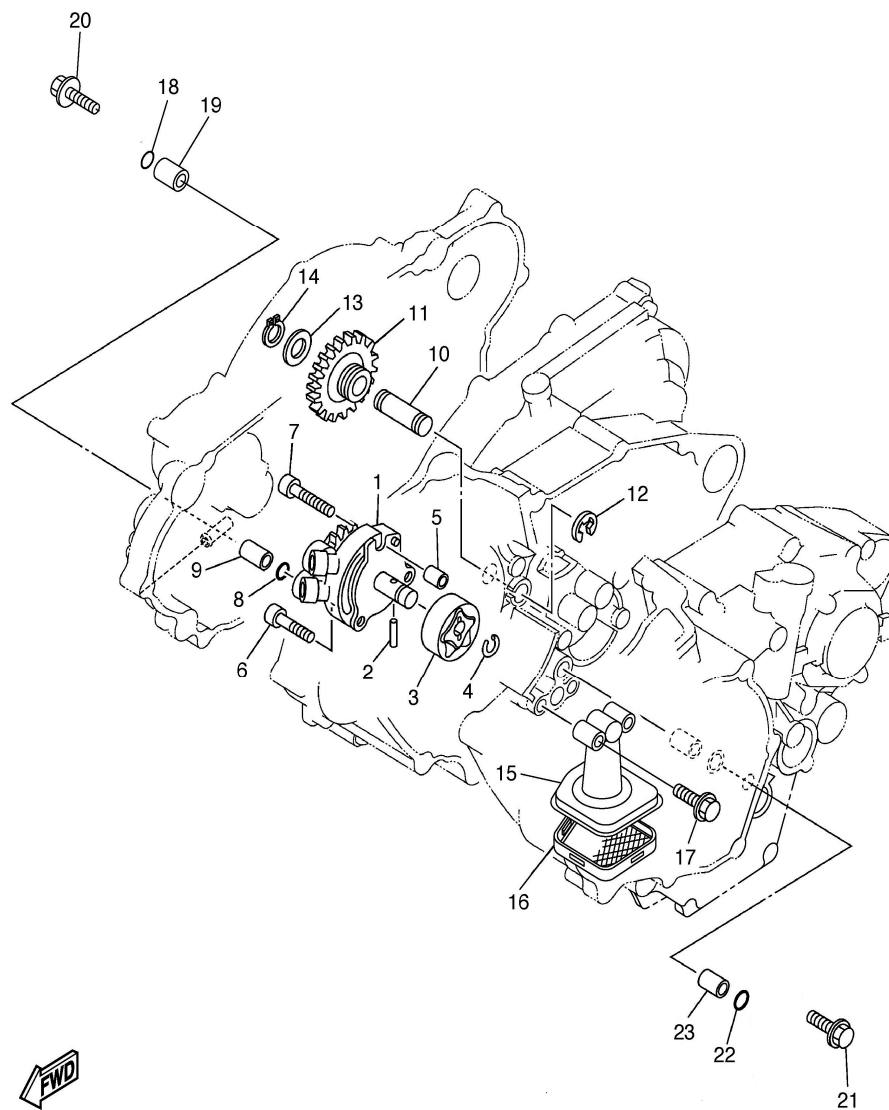


Nº	DESCRIPCION / DESCRIPTION		Cant
1	GEAR, IMPELLER SHAFT	5XC-12459-00	1
2	WASHER, PLATE	90201-08512	1
3	CIRCLIP	93440-07182	1
4	IMPELLER, WATER PUMP	5DH-12451-00	1
5	WASHER, PLATE	90201-08512	1
6	OIL SEAL	93109-11073	1
7	OIL SEAL (SD 12-22-5 HS)	93102-12106	1
8	BEARING	93306-00105	1
9	COVER, HOUSING	5NL-12422-10	1
10	O-RING	5NL-12439-00	1
11	PIN, DOWEL	93604-10011	2
12	GASKET	90430-06014	1
13	BOLT, FLANGE	95022-06025	3
14	BOLT, FLANGE	95022-06065	1
15	BOLT, FLANGE	95022-06012	1

**BOMBA ACEITE**  
**OIL PUMP**

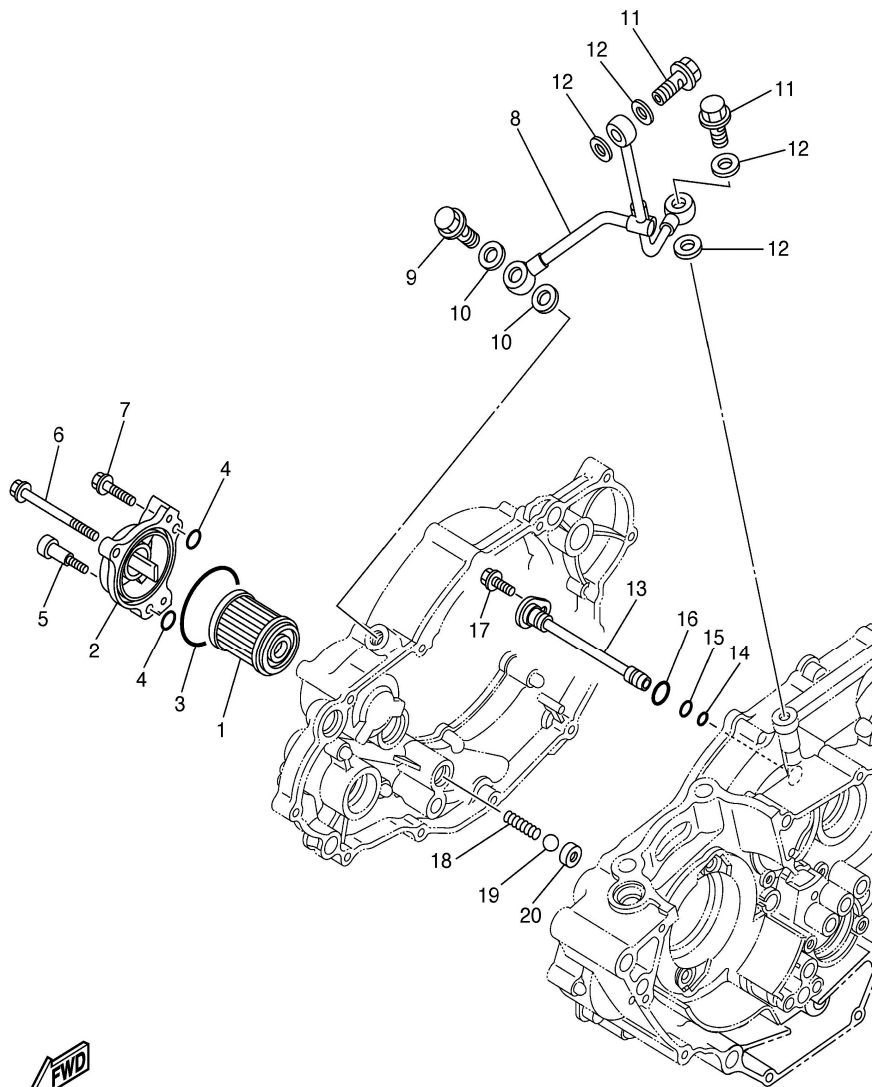
**GASGAS**

**ECI250-FI 2012**

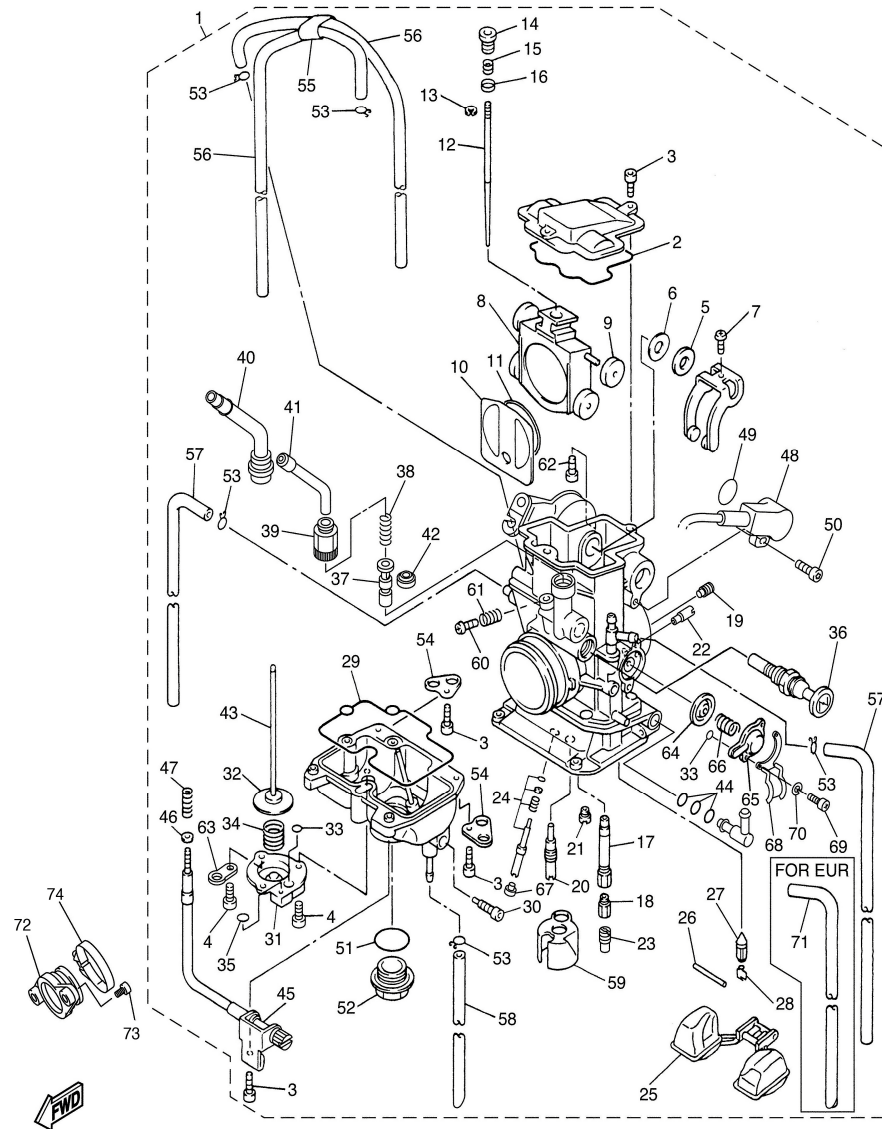




Nº	DESCRIPCION / DESCRIPTION		Cant
1	OIL PUMP ASSY	5SG-13300-01	1
2	PIN, DOWEL	93603-16219	1
3	ROTOR ASSY 2	5NL-13320-00	1
4	CIRCLIP	93440-10153	1
5	PIN, DOWEL	99530-08012	1
6	BOLT	91312-06025	2
7	BOLT	91317-06030	1
8	O-RING	93210-10197	1
9	PIN, DOWEL	99530-10114	1
10	SHAFT, IDLE GEAR	5BE-13342-00	1
11	GEAR, OIL PUMP IDLE	5NL-13341-00	1
12	CIRCLIP	99001-08600	1
13	WASHER, PLATE	90201-12166	1
14	CIRCLIP	99009-12400	1
15	HOUSING, STRAINER	5XC-13412-00	1
16	STRAINER, OIL	5NL-13411-00	1
17	BOLT, FLANGE	95022-06025	2
18	O-RING	93210-10197	1
19	PIN, DOWEL	99530-10114	1
20	BOLT, FLANGE	95022-06025	1
21	BOLT, FLANGE	95022-06025	1
22	O-RING	93210-10197	1
23	PIN, DOWEL	99530-10114	1



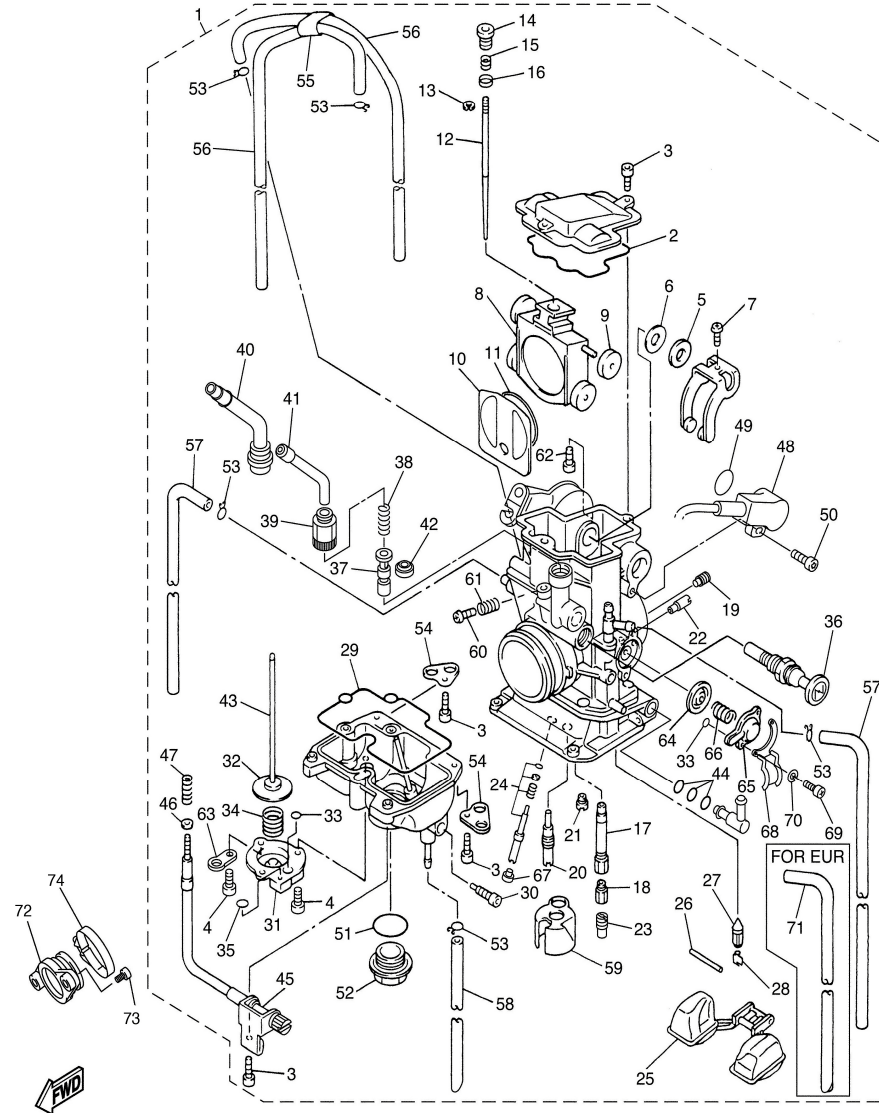
Nº	DESCRIPCION / DESCRIPTION		Cant
1	ELEMENT ASSY, OIL CLEANER	5D3-13440-00	1
2	COVER, OIL ELEMENT	5BE-13447-20	1
3	O-RING	93210-47675	1
4	O-RING	93210-07135	3
5	BOLT, HEXAGON SOCKET HEAD	90110-06228	1
6	BOLT	91312-06065	1
7	BOLT	91312-06025	1
8	PIPE, DELIVERY 1	5NL-13161-20	1
9	BOLT, UNION	90401-10015	1
10	GASKET	90430-10188	2
11	BOLT, UNION	90401-08006	2
12	GASKET	90430-08119	4
13	PIPE, DELIVERY 2	5NL-13171-10	1
14	O-RING	93210-07003	1
15	O-RING	93210-09525	1
16	O-RING	93210-12010	1
17	BOLT, FLANGE	95022-06012	1
18	SPRING, COMPRESSION	90501-043E0	1
19	BALL	93503-08007	1
20	SEAT, CHECK BALL	583-13113-00	1



Nº	DESCRIPCION / DESCRIPTION		Cant
1	CARBURETOR ASSY 1	5UM-14101-L0	1
2	.GASKET	5JG-14959-00	1
3	.BOLT	91316-04012	6
4	.SCREW	688-14592-00	3
5	.WASHER, PLATE	90202-08045	1
6	.WASHER	5JG-14951-00	1
7	.SCREW, ADJUST	5JG-14522-00	1
8	.VALVE, VACUUM CONTROL	2S2-14388-00	1
9	.ROLLER	3TJ-14267-40	1
10	.VALVE, NEEDLE	5JG-14546-01	1
11	.SEAL	4FN-14997-00	1
12	.NEEDLE (NNGU)	5UM-14916-LU	1
	.NEEDLE (GDMP)	5UM-14916-VP	1
	.NEEDLE (GDEMQ)	5UM-14916-V1	1
	.NEEDLE (GDEMR)	5UM-14916-VR	1
	.NEEDLE (GDEMS)	5UM-14916-VS	1
	.NEEDLE (GDEMT)	5UM-14916-VT	1
	.NEEDLE (GDEMU)	5UM-14916-VU	1
	.NEEDLE (GDEMV)	5UM-14916-VV	1
13	.CLIP	3TJ-14159-40	1
14	.SCREW, ADJUST	5JG-14521-00	1
15	.SPRING	5JG-14275-00	1
16	.COLLAR	5JG-14264-00	1
17	.JET, NEEDLE	5TJ-14947-00	1
18	.JET, MAIN (#160)	4MX-14943-39	1
	.JET, MAIN (#182)	4MX-14943-94	1
	.JET, MAIN (#180)	4MX-14943-43	1
	.JET, MAIN (#162)	4MX-14943-90	1
	.JET, MAIN (#165)	4MX-14943-40	1
	.JET, MAIN (#168)	4MX-14943-91	1
	.JET, MAIN (#170)	4MX-14943-41	1
	.JET, MAIN (#172)	4MX-14943-92	1
	.JET, MAIN (#175)	4MX-14943-42	1
	.JET, MAIN (#178)	4MX-14943-93	1

**GASGAS**

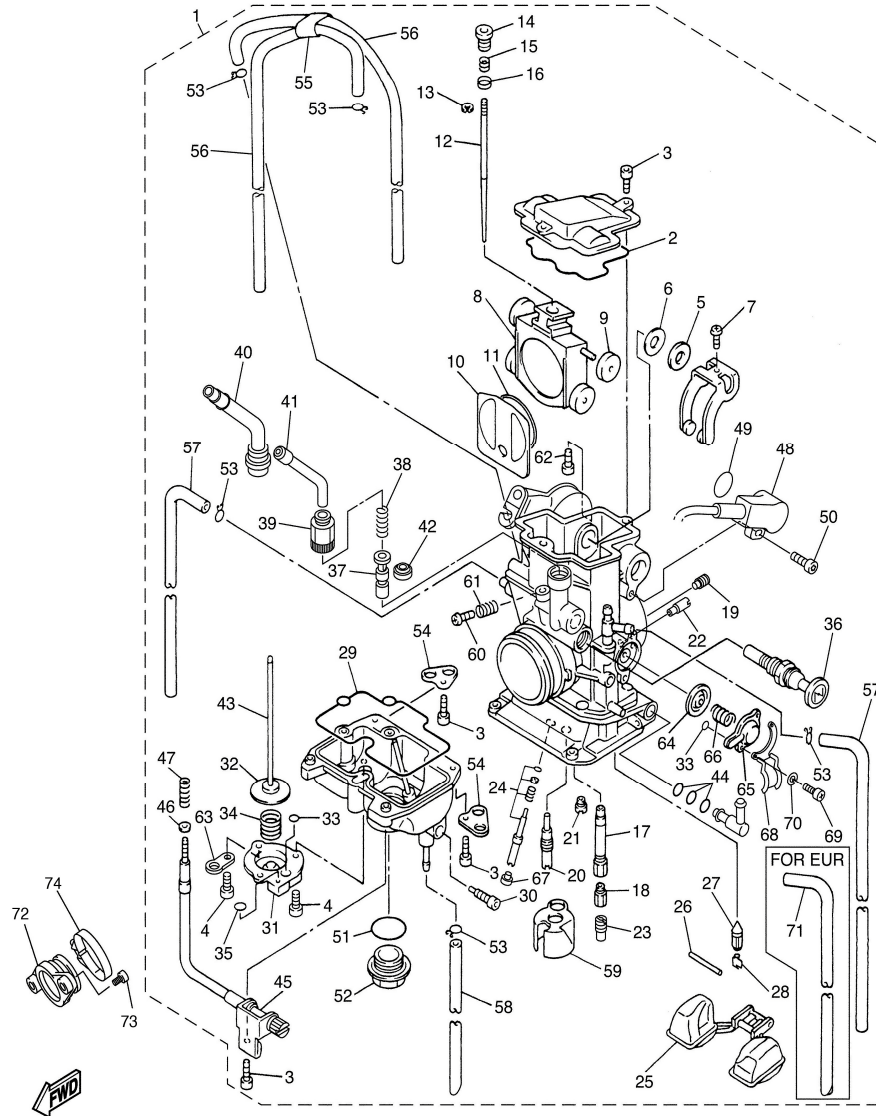
**Motor 8**



Nº	DESCRIPCION / DESCRIPTION		Cant
19	.JET (#115)	5UM-1494F-30	1
20	.JET, SLOW (#45)	4MX-14948-05	1
	.JET, SLOW (#50)	4MX-14948-07	1
	.JET, SLOW (#40)	4MX-14948-03	1
	.JET, SLOW (#42)	4MX-14948-04	1
	.JET, SLOW (#48)	4MX-14948-06	1
21	.JET (#68)	3TJ-1494F-14	1
	.JET (#62)	3TJ-1494F-12	1
	.JET (#65)	3TJ-1494F-13	1
	.JET (#70)	3TJ-1494F-15	1
	.JET (#72)	3TJ-1494F-16	1
22	.JET, MAIN (#70)	5TA-14943-15	1
23	.JET (#70)	4JT-1494F-15	1
	.JET (#60)	4JT-1494F-11	1
	.JET (#80)	4JT-1494F-19	1
	.JET (#90)	4JT-1494F-23	1
	.JET(#100)	4JT-1494F-27	1
	.JET(#110)	4JT-1494F-29	1
	.JET(#120)	4JT-1494F-31	1
24	.PILOT SCREW SET	5NL-14105-00	1
25	.FLOAT	4SR-14985-00	1
26	.PIN, FLOAT ARM	676-14548-00	1
27	.VALVE, NEEDLE	4MX-14392-00	1
28	.CLIP	633-14159-00	1
29	.GASKET, FLOAT CHAMBER	5JG-14984-00	1
30	.PLUG, DRAIN	3TJ-14191-40	1
31	.COVER 1	3TJ-14293-40	1
32	.DIAPHRAGM, ACC PUMP (DPH#30)	5JG-14940-76	1
	.DIAPHRAGM, ACC PUMP (DPH#45)	5JG-14940-16	1
	.DIAPHRAGM, ACC PUMP (DPH#35)	5JG-14940-17	1
	.DIAPHRAGM, ACC PUMP (DPH#25)	5JG-14940-18	1
33	.GASKET	3TJ-14536-40	2
34	.SPRING, DIAPHRAGM	3TJ-14933-40	1

**GASGAS**

**Motor 8**

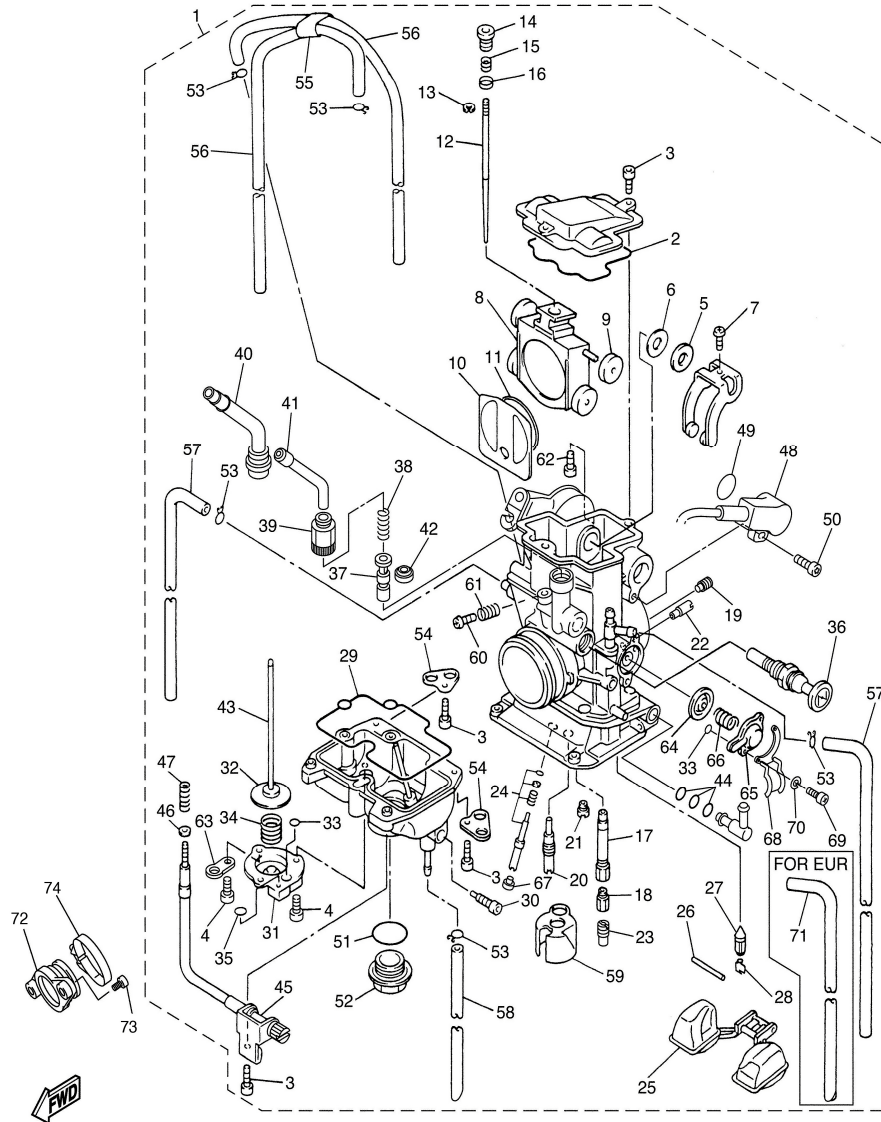




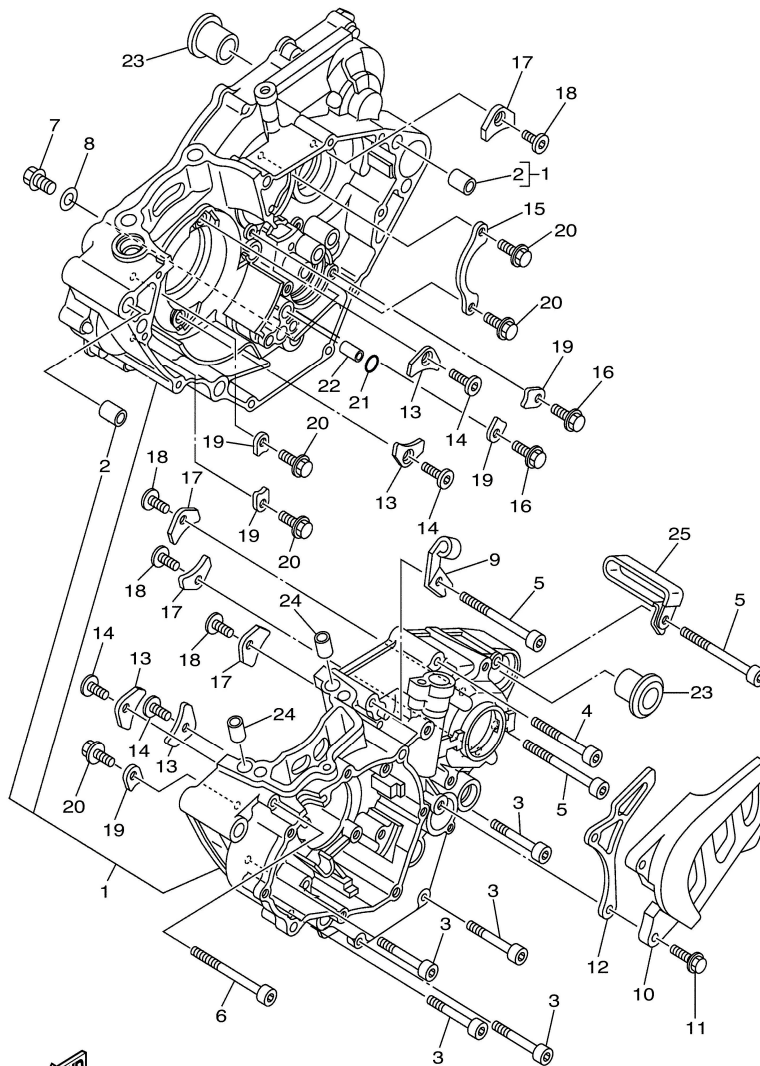
Nº	DESCRIPCION / DESCRIPTION		Cant
35	.O-RING	6H4-14561-00	1
36	.PLUNGER, STARTER	5XC-14171-00	1
37	.PLUNGER, STARTER	5TA-14371-00	1
38	.SPRING, PLUNGER	5TA-14335-00	1
39	.SCREW	5TA-14991-00	1
40	.CAP, PLUNGER	2S2-14374-00	1
41	.GUIDE, CABLE	5TA-14155-00	1
42	.SEAL	5TA-14997-00	1
43	.ROD, STARTER	5JG-14379-00	1
44	.O-RING	3TJ-14564-40	3
45	.SCREW, THROTTLE	5XC-14922-00	1
46	.WASHER, PLATE	90201-08410	1
47	.SPRING, THROTTLE STOP	5TA-14934-00	1
48	.THROTTLE SENSOR ASSY	5XC-85885-00	1
49	.O-RING	5NX-14562-00	1
50	.SCREW	5NX-14216-00	1
51	.O-RING	4MX-14561-00	1
52	.PLUG, SCREW	4MX-14115-00	1
53	.CLIP	3TJ-14137-40	5
54	.PLATE	5BE-14146-00	2
55	.HOLDER	5TA-14261-00	1
56	.PIPE, OVER FLOW 1	5UL-14196-00	2
57	.PIPE	5TA-14197-00	1
58	.HOSE	5TJ-14987-00	1
59	.PLATE	5JG-14346-00	1
60	.SCREW	5JG-14565-00	1
61	.SPRING, ADJUST SCREW	5JG-14531-00	1
62	.SCREW	5UM-14591-00	1

**GASGAS**

**Motor 8**







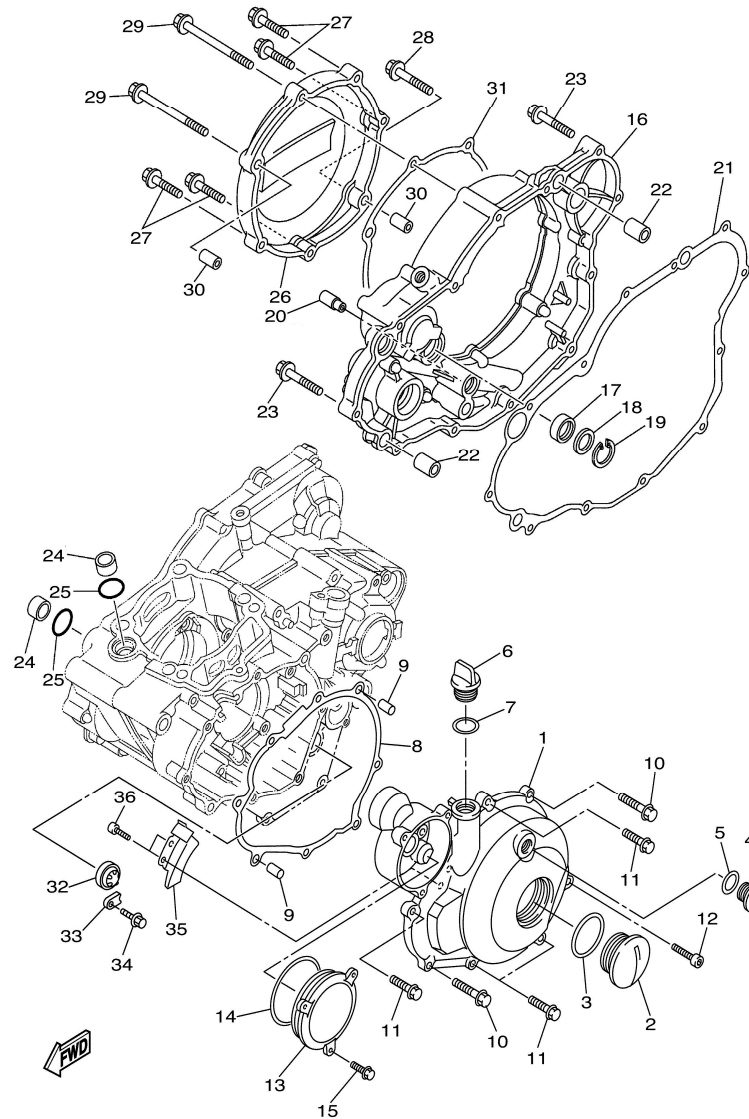
Nº	DESCRIPCION / DESCRIPTION		Cant
1	CRANKCASE ASSY	5UM-15100-21-YX	1
2	.PIN, DOWEL	93612-16254	2
3	BOLT	91312-06045	5
4	BOLT	91312-06055	1
5	BOLT	91312-06070	3
6	BOLT	91312-06100	1
7	BOLT, FLANGE	95022-10016	1
8	GASKET	90430-10188	1
9	HOLDER, CLUTCH CABLE	5NL-15441-01	1
10	COVER, CRANKCASE 2	BFS486002510	1
11	BOLT, FLANGE	T0206025	2
12	GUIDE, CHAIN	5UM-17466-00	1
13	PLATE, BEARING COVER	5BE-15383-01	4
14	SCREW, COUNTERSUNK	90151-06044	4
15	PLATE, BEARING COVER	5NL-15388-00	1
16	BOLT, FLANGE	90105-06081	2
17	PLATE, BEARING COVER	4JT-15381-01	4
18	SCREW	90149-06074	4
19	PLATE, STOPPER 2	5DH-18562-00	5
20	BOLT, FLANGE	90105-06081	5
21	O-RING	93210-10197	1
22	PIN, DOWEL	99530-10114	1
23	COLLAR	90387-18007	2
24	PIN, DOWEL	99530-10116	2
25	CLAMP	90465-10013	1



**TAPA CARTER**  
**CRANKCASE COVER**

**GASGAS**

**ECI250-FI 2012**



Nº	DESCRIPCION / DESCRIPTION		Cant
1	COVER, CRANKCASE 1	5UM-15411-20	1
2	PLUG, STRAIGHT SCREW	90340-27004	1
3	O-RING	93210-27370	1
4	PLUG, STRAIGHT SCREW	90340-14015	1
5	O-RING	93210-14369	1
6	PLUG, OIL	3Y1-15363-10	1
7	O-RING	93210-19123	1
8	GASKET, CRANKCASE COVER 1	5UM-15451-00	1
9	PIN, DOWEL	99530-08016	2
10	BOLT, FLANGE	95022-06040	2
11	BOLT, FLANGE	95022-06030	4
12	BOLT	91312-06110	1
13	COVER ASSY 2	5UM-1549B-20	1
14	O-RING	93210-60426	1
15	BOLT, FLANGE	95022-06016	3
16	COVER, CRANKCASE 3	5XC-15431-01	1
17	OIL SEAL	93101-14164	1
18	WASHER, PLATE (T=1.0)	90201-15701	1
19	CIRCLIP	99009-22500	1
20	CAP	MF15-00001-2512	1
21	GASKET, CRANKCASE COVER 3	5NL-15462-00	1
22	PIN, DOWEL	91812-16001	2
23	BOLT, FLANGE	95022-06035	8
24	PIPE, WATER	5NL-12564-00	2
25	O-RING	93210-16716	2
26	COVER, GENERATOR	5NL-15415-30	1
27	BOLT, FLANGE	95022-06025	4
28	BOLT, FLANGE	95022-06035	1
29	BOLT, FLANGE	90105-06098	2
30	PIN, DOWEL	99530-08016	2

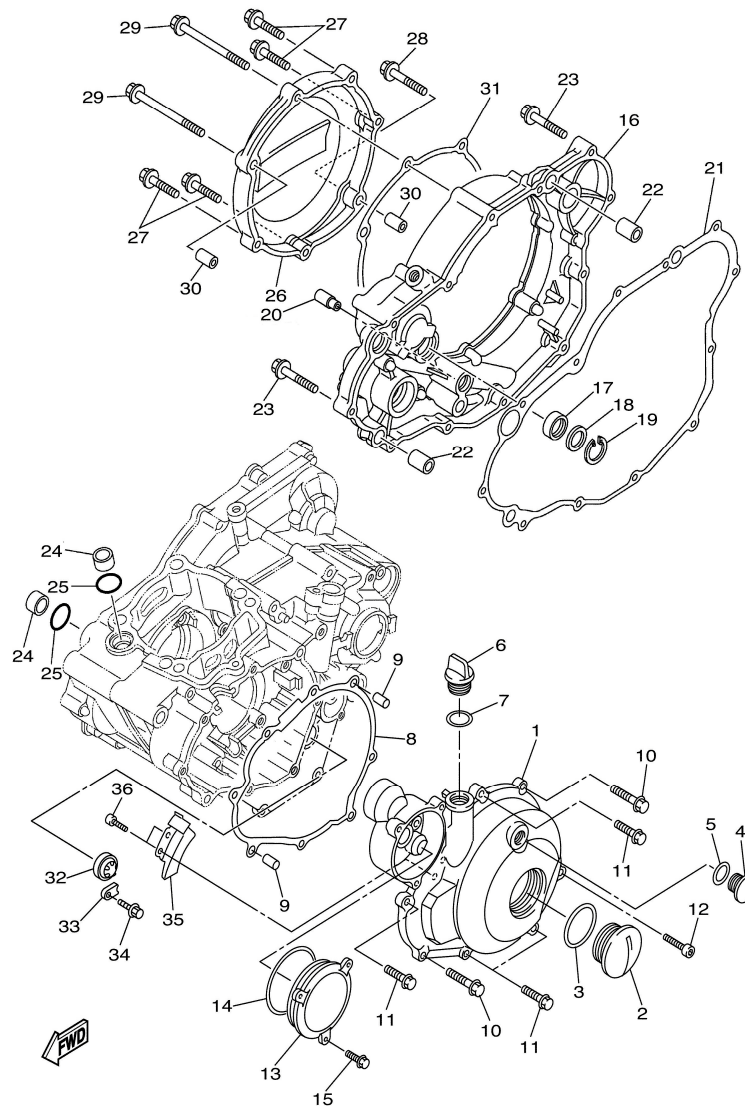
**GASGAS**

**Motor 10**

**TAPA CARTER**  
**CRANKCASE COVER**

**GASGAS**

**ECI250-FI 2012**



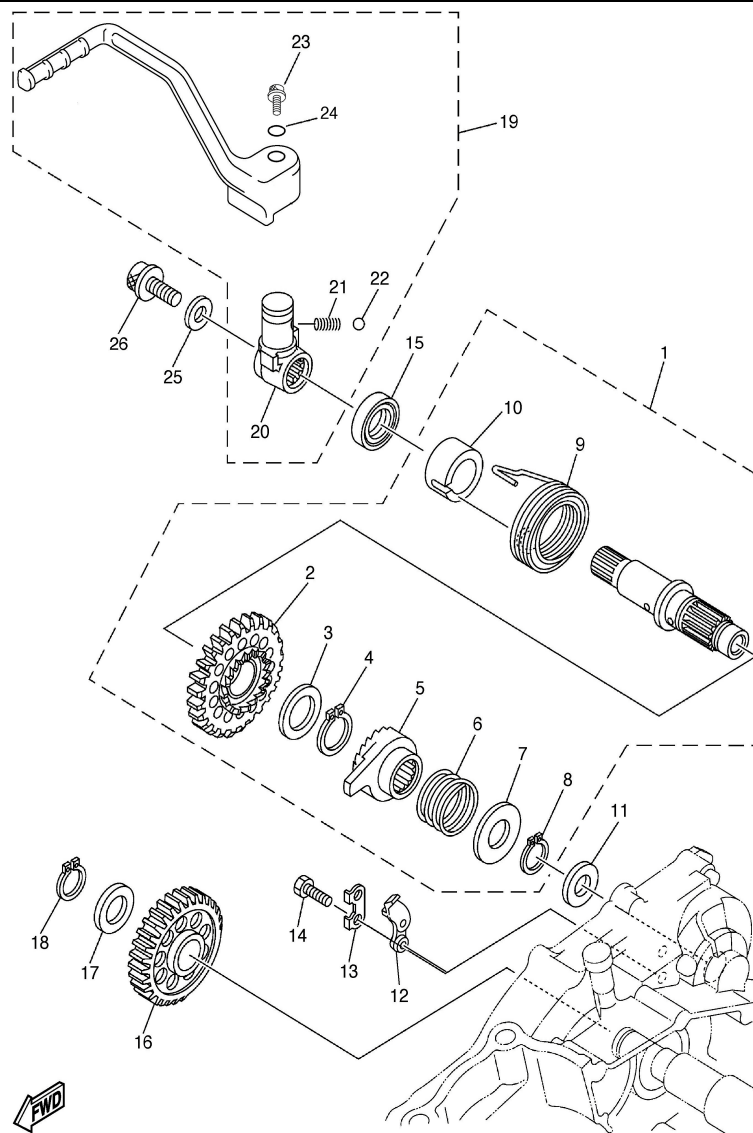


Nº	DESCRIPCION / DESCRIPTION		Cant
31	GASKET	5NL-15453-10	1
32	GAUGE, LEVEL	3Y1-15361-00	1
33	HOLDER	5XC-15118-00	1
34	BOLT, FLANGE	90105-06094	1
35	CLAMP 1	5UM-81528-00	1
36	BOLT	91312-05012	2

**PALANCA ARRANQUE  
KICK START**

**GASGAS**

**ECI250-FI 2012**



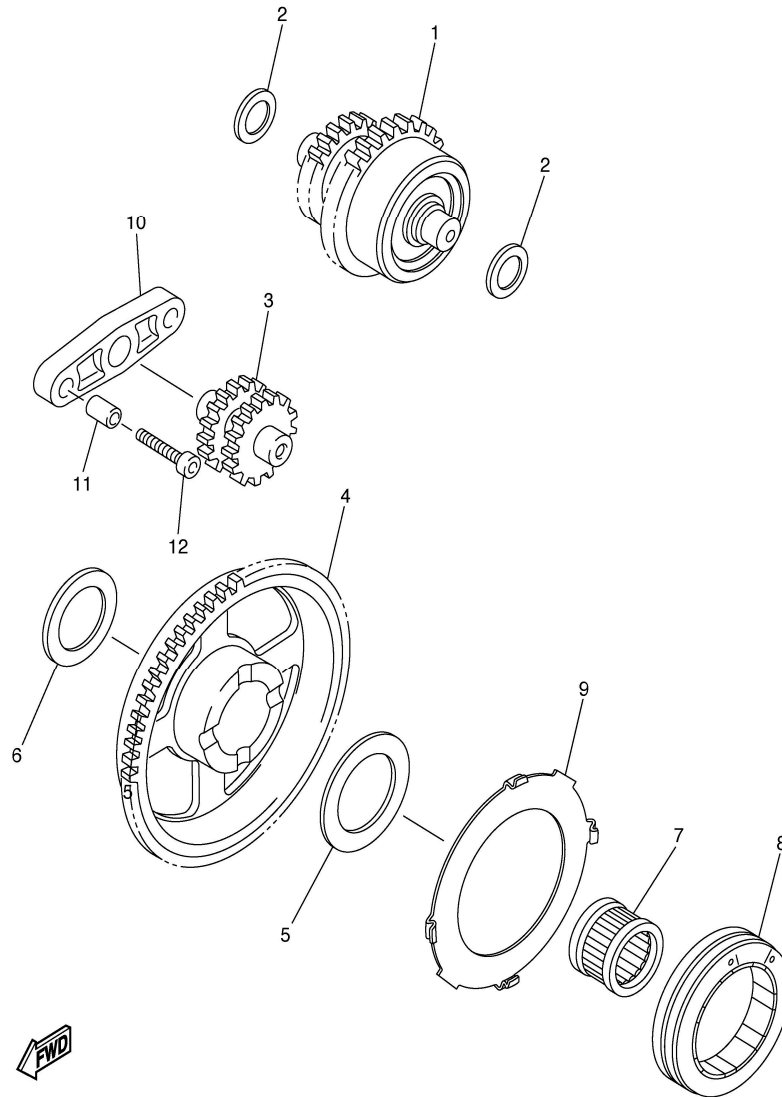
Nº	DESCRIPCION / DESCRIPTION		Cant
1	KICK SHAFT ASSY	5NL-15601-20	1
2	.GEAR, KICK	5NL-15641-20	1
3	.WASHER, PLATE (T=0.5)	90201-20685	1
4	.CIRCLIP	93410-20038	1
5	.WHEEL, RATCHET	2S2-15671-00	1
6	.SPRING, COMPRESSION	90501-160A2	1
7	.WASHER, PLATE	90201-167P7	1
8	.CIRCLIP	99009-16400	1
9	.SPRING, TORSION	90508-30743	1
10	.GUIDE, SPRING	5NL-15664-00	1
11	WASHER, PLATE	90201-162H4	1
12	STOPPER	5SG-15668-00	1
13	WASHER, LOCK	214-15686-00	1
14	BOLT	90101-06044	2
15	OIL SEAL	93102-18278	1
16	GEAR, KICK IDLE	5NL-15651-00	1
17	WASHER, PLATE	90201-177G4	1
18	CIRCLIP	99009-17400	1
19	KICK CRANK ASSY	MFS890002510	1
20	.BOSS, KICK CRANK	ME250036061	1
21	.SPRING, COMPRESSION	ME250036066	1
22	.BALL	ME250036062	1
23	.SCREW	T0508020	1
24	.O-RING	ME250036063	1
25	WASHER, PLATE	T4006020	1
26	BOLT, HEXAGON SOCKET HEAD	T0316012	1



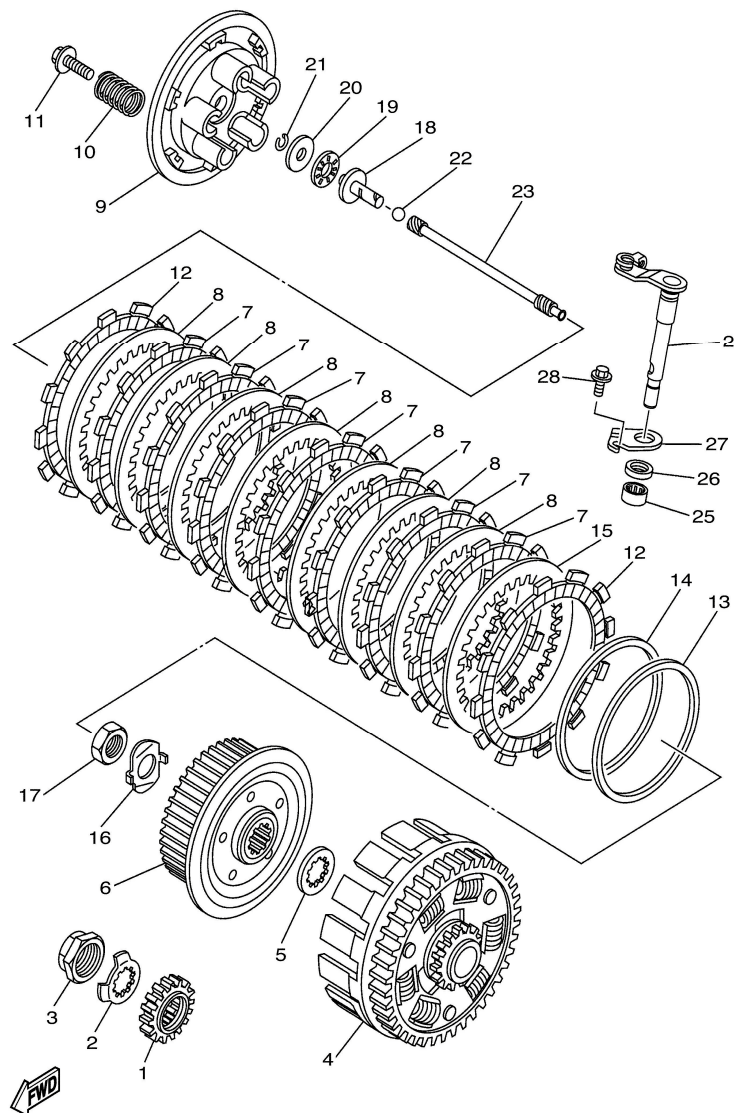
**ARRANQUE EMBRAGUE  
STARTER CLUTCH**

**GASGAS**

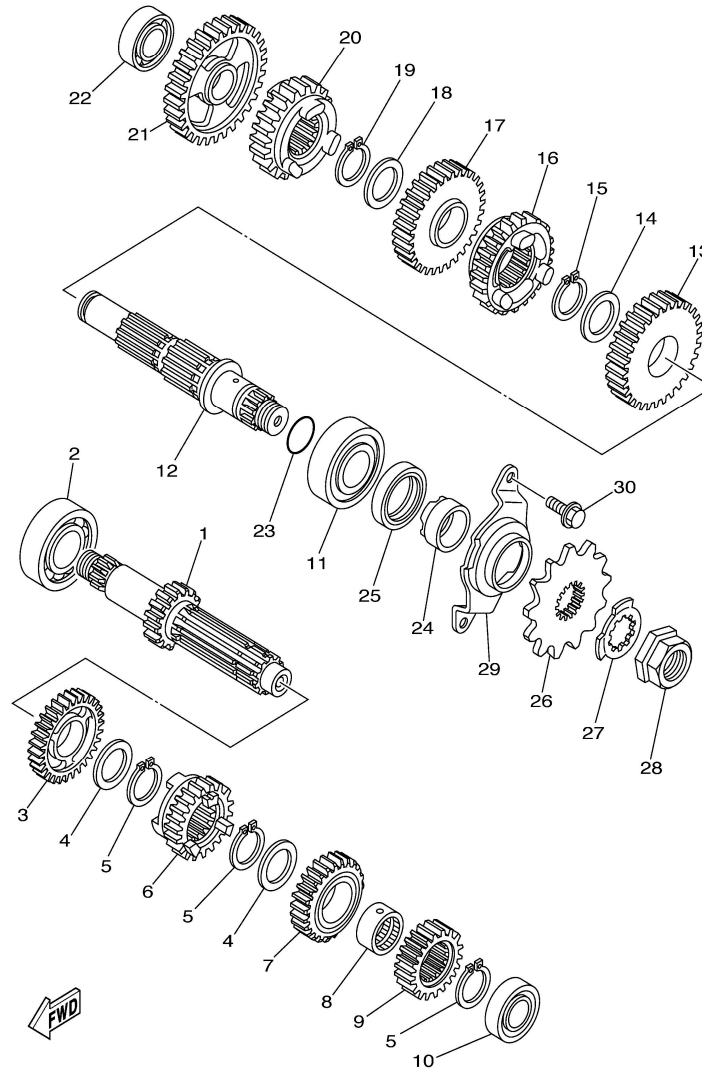
**ECI250-FI 2012**



Nº	DESCRIPCION / DESCRIPTION		Cant
1	DAMPER ASSY	5UM-15560-10	1
2	WASHER, PLATE	90201-104R2	2
3	GEAR, IDLER 2	5UM-15517-00	1
4	GEAR 3	5UM-15515-20	1
5	WASHER, PLATE (T=1.0)	90201-20021	1
6	WASHER, PLATE	90201-203L1	1
7	BEARING	93310-42057	1
8	STARTER CLUTCH ASSY	5UM-15570-00	1
9	PLATE, STARTER CLUTCH ASSY	5VY-15586-00	1
10	PLATE, IDLE GEAR	5UM-15532-00	1
11	PIN, DOWEL	99530-08012	2
12	BOLT	91312-06025	2



Nº	DESCRIPCION / DESCRIPTION		Cant
1	GEAR, PRIMARY DRIVE	5NL-16111-01	1
2	WASHER, LOCK	90215-20003	1
3	NUT	90179-18001	1
4	PRIMARY DRIVEN GEAR COMP.	5XC-16150-00	1
5	PLATE, THRUST 1	5NL-16154-00	1
6	BOSS, CLUTCH	5NL-16371-01	1
7	PLATE, FRICTION	5DH-16321-00	7
8	PLATE, CLUTCH 2	5NL-16325-00	7
9	PLATE, PRESSURE 1	5HD-16351-00	1
10	SPRING, COMPRESSION	90501-220A0	5
11	SCREW, WITH WASHER	90159-06092	5
12	PLATE, FRICTION	3XJ-16321-00	2
13	PLATE, SEAT	5NL-16384-00	1
14	SPRING.,CUSHION	5NL-16383-10	1
15	PLATE, CLUTCH 2	5NL-16325-10	1
16	WASHER, LOCK	90215-16289	1
17	NUT	90170-16326	1
18	ROD, PUSH 1	5XC-16356-00	1
19	BEARING	93340-21008	1
20	WASHER, PLATE	90201-080H1	1
21	CIRCLIP	93440-07182	1
22	BALL	93511-32027	1
23	ROD, PUSH 2	5NL-16357-10	1
24	PUSH LEVER COMP.	5XC-16381-10	1
25	BEARING	93317-11287	1
26	OIL SEAL	93102-12224	1
27	PLATE, SEAT	4JT-16384-00	1
28	BOLT, FLANGE	95022-06010	1

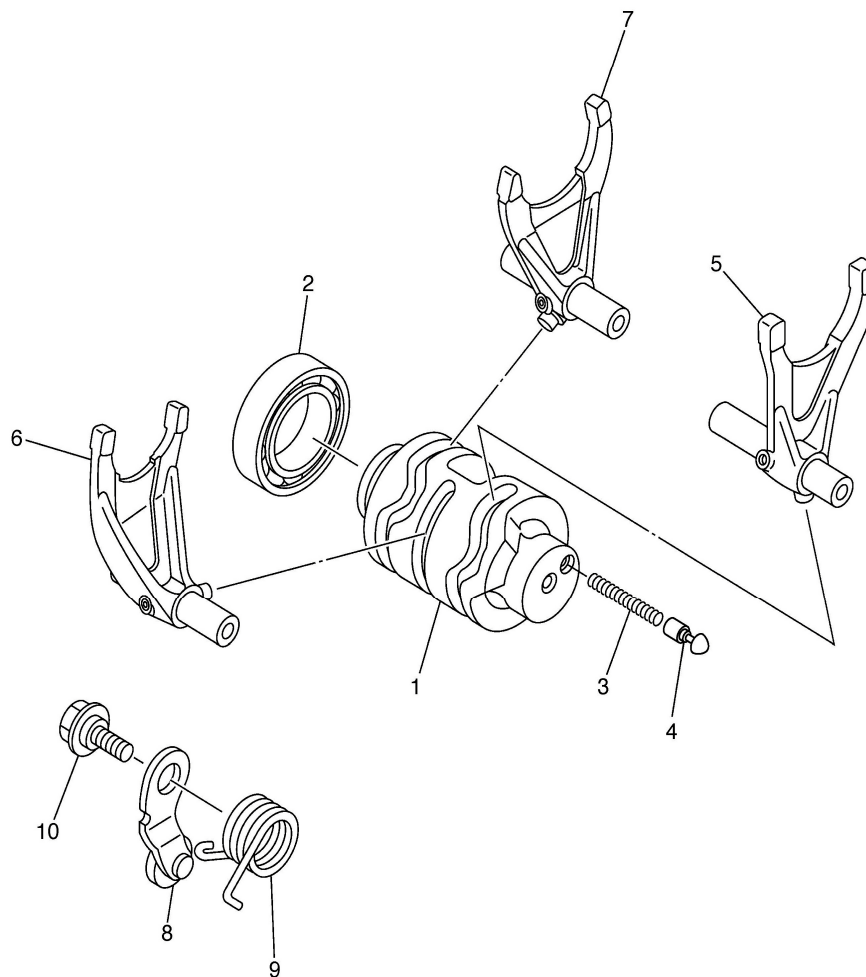




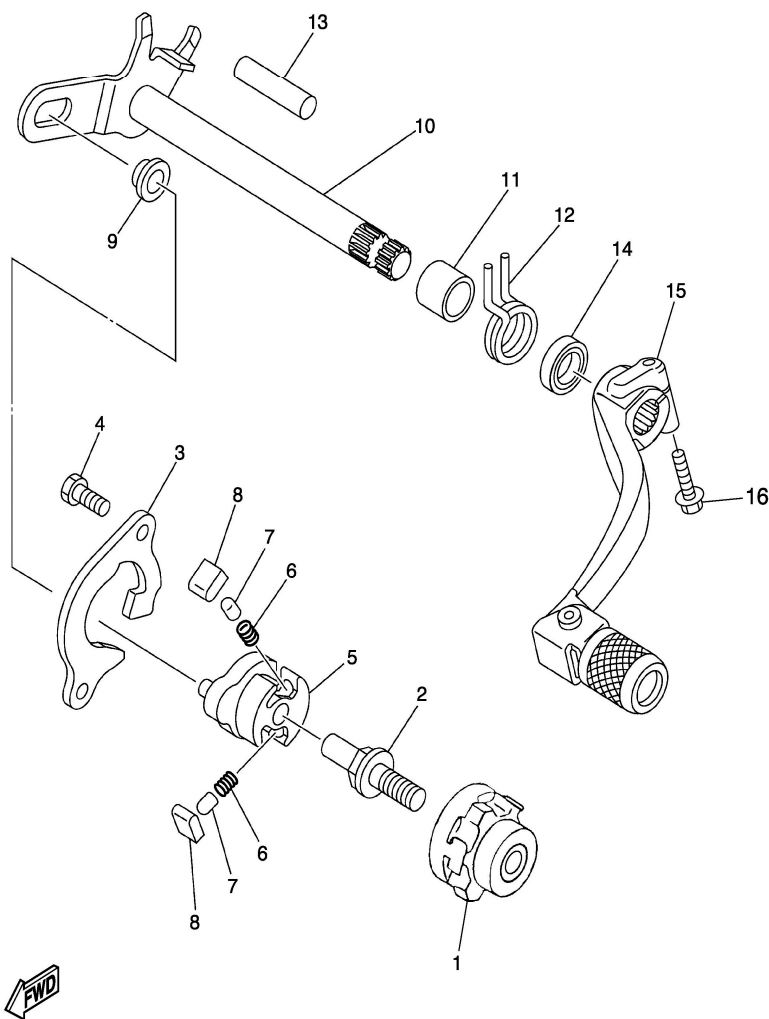
Nº	DESCRIPCION / DESCRIPTION		Cant
1	AXLE, MAIN (13T)	5UM-17411-00	1
2	BEARING	93306-20447	1
3	GEAR,5TH PINION (19T)	5UM-17151-00	1
4	WASHER	90209-20008	2
5	CIRCLIP	93410-22039	3
6	GEAR,3RD PINION (17T)	5UM-17131-00	1
7	GEAR, 4TH PINION (21T)	5UM-17141-00	1
8	COLLAR	90387-20006	1
9	GEAR, 2ND PINION (16T)	5NL-17121-00	1
10	BEARING	93306-00320	1
11	BEARING	93306-27208	1
12	DRIVE AXLE ASSY	5NL-17402-01	1
13	GEAR, 2ND WHEEL (28T)	5NL-17221-00	1
14	WASHER	90209-23012	1
15	CIRCLIP	93410-26067	1
16	GEAR, 4TH WHEEL (23T)	5UM-17241-00	1
17	GEAR,3RD WHEEL (23T)	5UM-17231-00	1
18	WASHER	90209-20008	1
19	CIRCLIP	93410-22039	1
20	GEAR,5TH WHEEL (17T)	5UM-17251-00	1
21	GEAR,1ST WHEEL (31T)	5PH-17211-00	1
22	BEARING	93306-00317	1
23	O-RING	93210-196A4	1
24	COLLAR	90387-22001	1
25	OIL SEAL	93102-28010	1
26	SPROCKET, DRIVE (13T)	9383B-13218	1
	SPROCKET, DRIVE (14T)	9383B-14222	1
27	WASHER, LOCK	90215-20003	1
28	NUT	90179-18001	1
29	PLATE, COVER	5NL-17471-10	1
30	BOLT, FLANGE	90105-06081	2

**GASGAS**

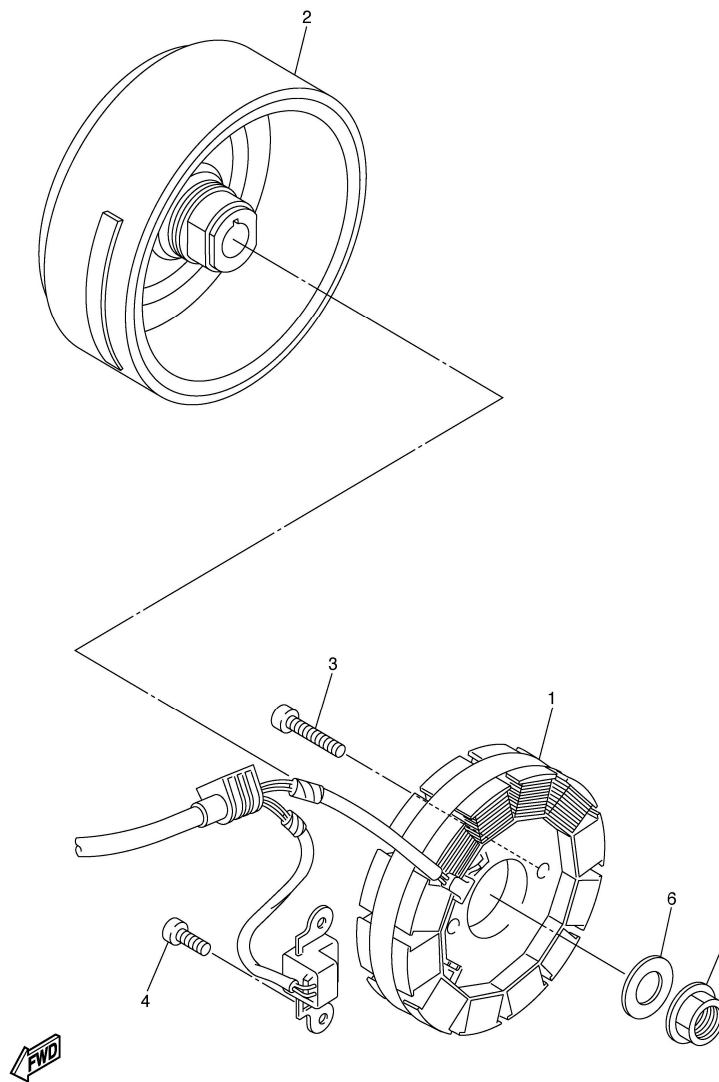
**Motor 15**



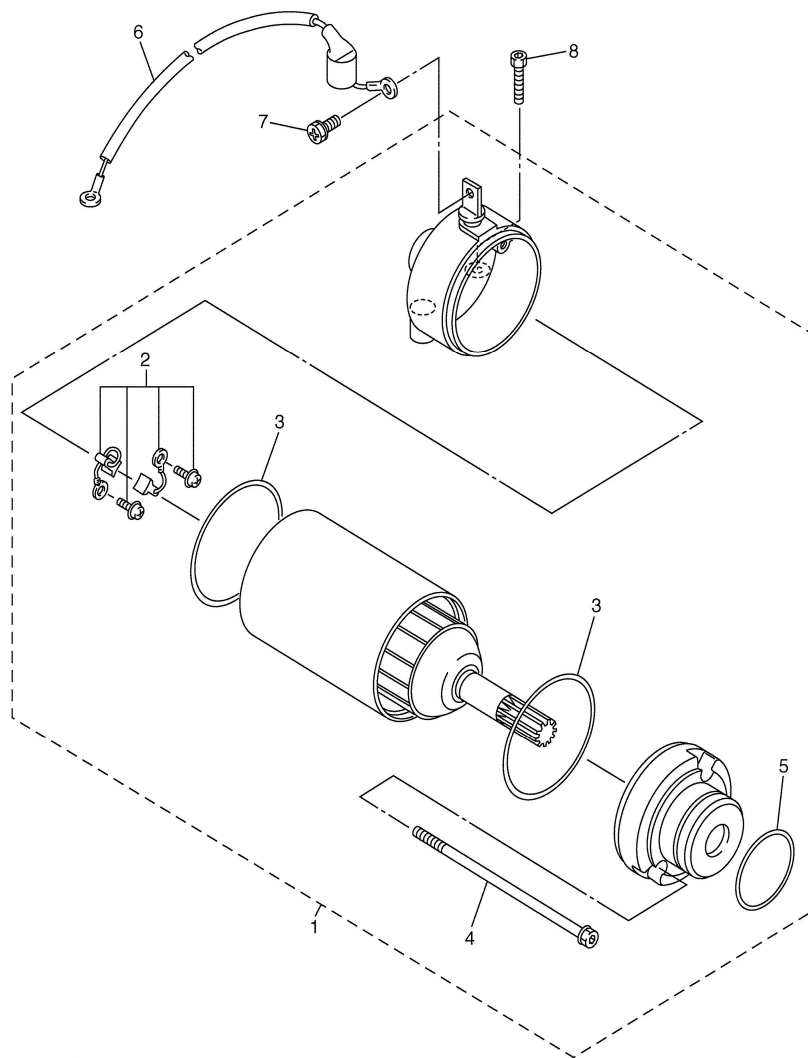




Nº	DESCRIPCION / DESCRIPTION		Cant
1	SEGMENT	2S2-18185-00	1
2	PIN, SHIFT	3XJ-18173-10	1
3	GUIDE, SHIFT	5BE-18172-00	1
4	BOLT	90101-06041	2
5	LEVER, SHIFT 2	5LP-18122-01	1
6	SPRING, COMPRESSION	90501-052G5	2
7	PIN, PAWL	3XJ-18184-00	2
8	PAWL, SHIFTER	3XJ-18182-00	2
9	ROLLER, SHIFT LEVER	3XJ-18178-00	1
10	SHIFT SHAFT ASSY	5UL-18101-10	1
11	COLLAR	90387-124F4	1
12	SPRING, TORSION	90508-291A8	1
13	PIN, DOWEL	93608-33002	1
14	OIL SEAL	93102-12224	1
15	SHIFT PEDAL ASSY	5XC-18110-00	1
16	BOLT, FLANGE	T0206020	1



Nº	DESCRIPCION / DESCRIPTION		Cant
1	STATOR ASSY	5UM-81410-31	1
2	ROTOR ASSY	5UM-81450-00	1
3	BOLT	91312-05020	2
4	BOLT	91312-06014	2
5	NUT	90179-12657	1
6	WASHER, PLATE	90201-12020	1



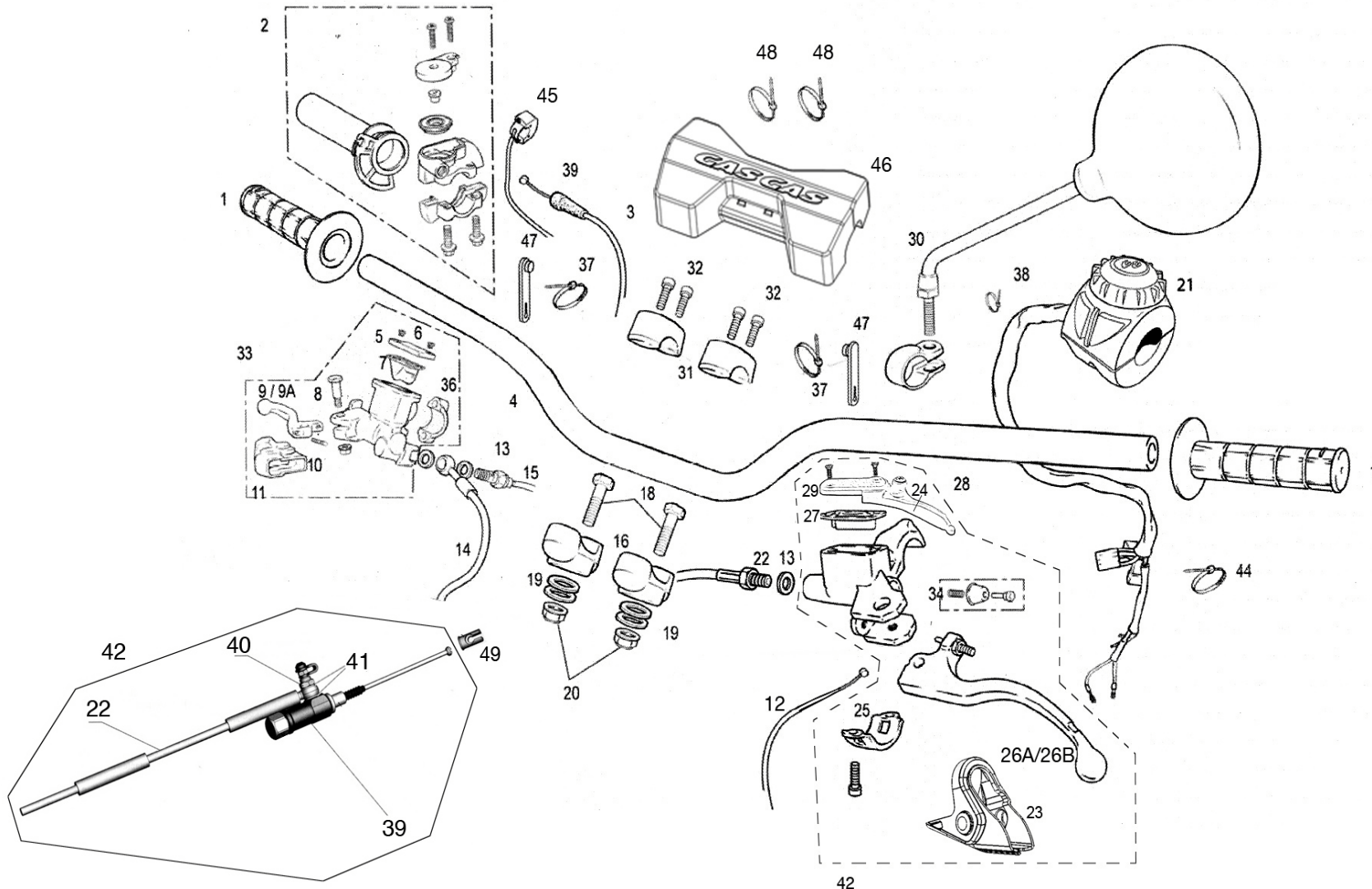


Nº	DESCRIPCION / DESCRIPTION		Cant
1	MOTOR ASSY	5UM-81890-10	1
2	.BRUSH SET	5UM-81801-10	1
3	.GASKET	5UM-81861-00	2
4	.SCREW 2	5UM-81828-10	2
5	.O-RING	93210-25711	1
6	CORD COMP.	5UM-8183G-20	1
7	BOLT 2	5TJ-81828-01	1
8	BOLT	91312-06025	2

**MANILLAR  
HANDLEBAR**

**GASGAS**

**EC/250-FI 2012**



**1**

Nº	DESCRIPCION / DESCRIPTION		Cant
1	JUEGO DE EMPUÑADURAS / C798HANDLEBAR GRIP (PAIR)	BE261002511	1
2	PUÑO DE GAS / TWIST GRIP	BFS260002510	1
3	CABLE DE GAS / THROTTLE CABLE	BFS785002510	1
4	MANILLAR COMPLETO / STEERING HANDLEBAR SET	BE250002511	1
5	TAPA BOMBA FRENO / BRAKE PUMP COVER	BC25922210	1
6	TORNILLO TAPA BOMBA / BRAKE PUMP SCREW	BC25922217	2
7	GOMA ANTIESPUMANTE / NO-FOAM RUBBER	BC25922216	1
8	TORNILLO ESPECIAL / SPECIAL SCREW	BC25922212	1
9	MANETA FRENO DELANTERO / FRONT BRAKE LEVER	BC250022045	1
9A	MANETA FRENO TT 250 / FRONT BRAKE TT 250	BC250022045R	1
10	TENSOR MANETA BOMBA / PUMP LEVER TENSOR	BC25922218	1
11	GUARDAPOLVO / DUST COVER	BC25922213	1
12	CABLE DESCOMPRESOR / DESCOMPRESSOR CABLE	5UM-26334-E0	1
13	ARANDELA LATIGUILLO 10X14X1 / HOSE WASHER 10X14X1	BE25622007	3
14	LATIGUILLO FRENO DELANTERO / FRONT BRAKE HOSE	BE250422002	1
15	INTERRUPTOR STOP BOMBA / PUMP STOP SWITCH	BE250334003	1
16	BRIDA SUJECIÓN MANILLAR INFERIOR / HANDLEBAR CLAMP (LOWER)	BE250614013	2
17	KIT PISTÓN BOMBA FRENO "A" / "A" BRAKE PUMP PISTON KIT	BC25922219	1
18	*TORNILLO ESPECIAL 10X45 / 10X45 SPECIAL BOLT	T0201045	2
19	DISTANCIADOR BRIDA INFERIOR MANILLAR EC2003 / CLAMP HANDLEBAR SPACER	BE250314035	2
20	TUERCA CILINDRO 8.8 ESP. 10/150C13 / NUT CYLINDER M10	T3110003	2
21	CONMUTADOR LUZ / LIGHT SWITCH	EE10000032511	1
22	LATIGUILLO EMBRAGUE / CLUTCH HOSE (L=1120mm )	BF45-00012-2512	1
23	GUARDAPOLOVO / CAP	BF45-00008-2512	1
24	LEVA CHOKE /CHOKE LEVER	BF45-00007-2512	1
25	BRIDA SUJECIÓN / MOUNTING BRACKET	BF45-00006-2512	1
26A	MANETA EMBRAGUE CORTA / SHORT CLUTCH LEVER	BF45-00002-2512	1
26B	MANETA EMBRAGUE LARGA (SERIE) / LONG CLUTCH LEVER (STANDARD)	BF45-00003-2512	1
27	MEMBRANA DEPÓSITO / RESERVOIR MEMBRANE	BF45-00009-2512	1
28	BOMBA EMBRAGUE HIDRÁULICO / HYDRAULIC CLUTCH PUMP	BF45-00001-2512	1
29	TAPA BOMBA EMBRAGUE / CLUTCH PUMP COVER	BF45-00005-2512	1
30	ESPEJO RETROVISOR / REAR-VIEW MIRROR	L300760	2
31	BRIDA SUJECIÓN MANILLAR SUPERIOR / HANDLEBAR CLAMP (UPPER)	BE250614012	2

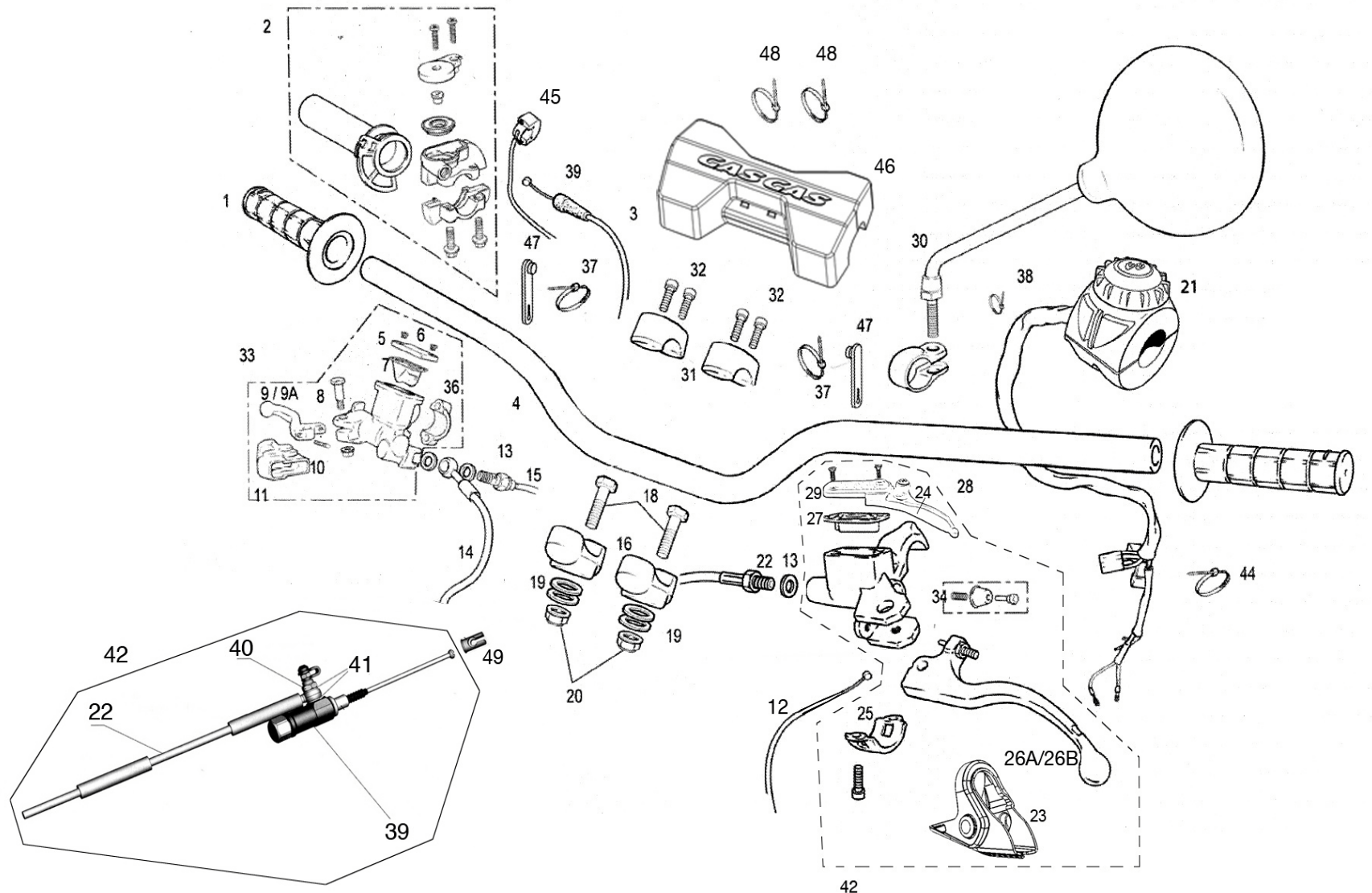
**GASGAS**

**Chasis 1**

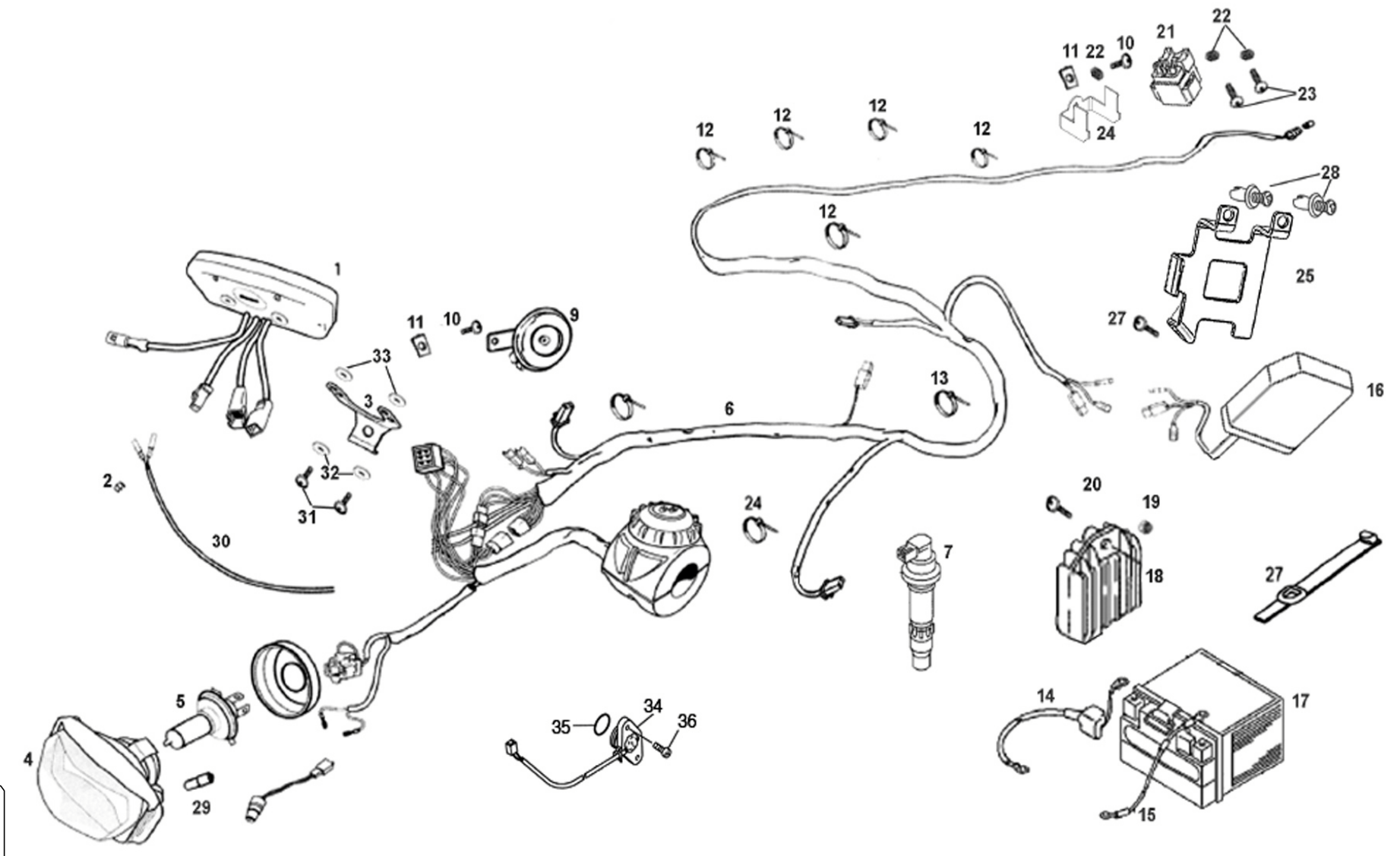
**MANILLAR  
HANDLEBAR**

**GAS GAS**

**ECI250-FI 2012**



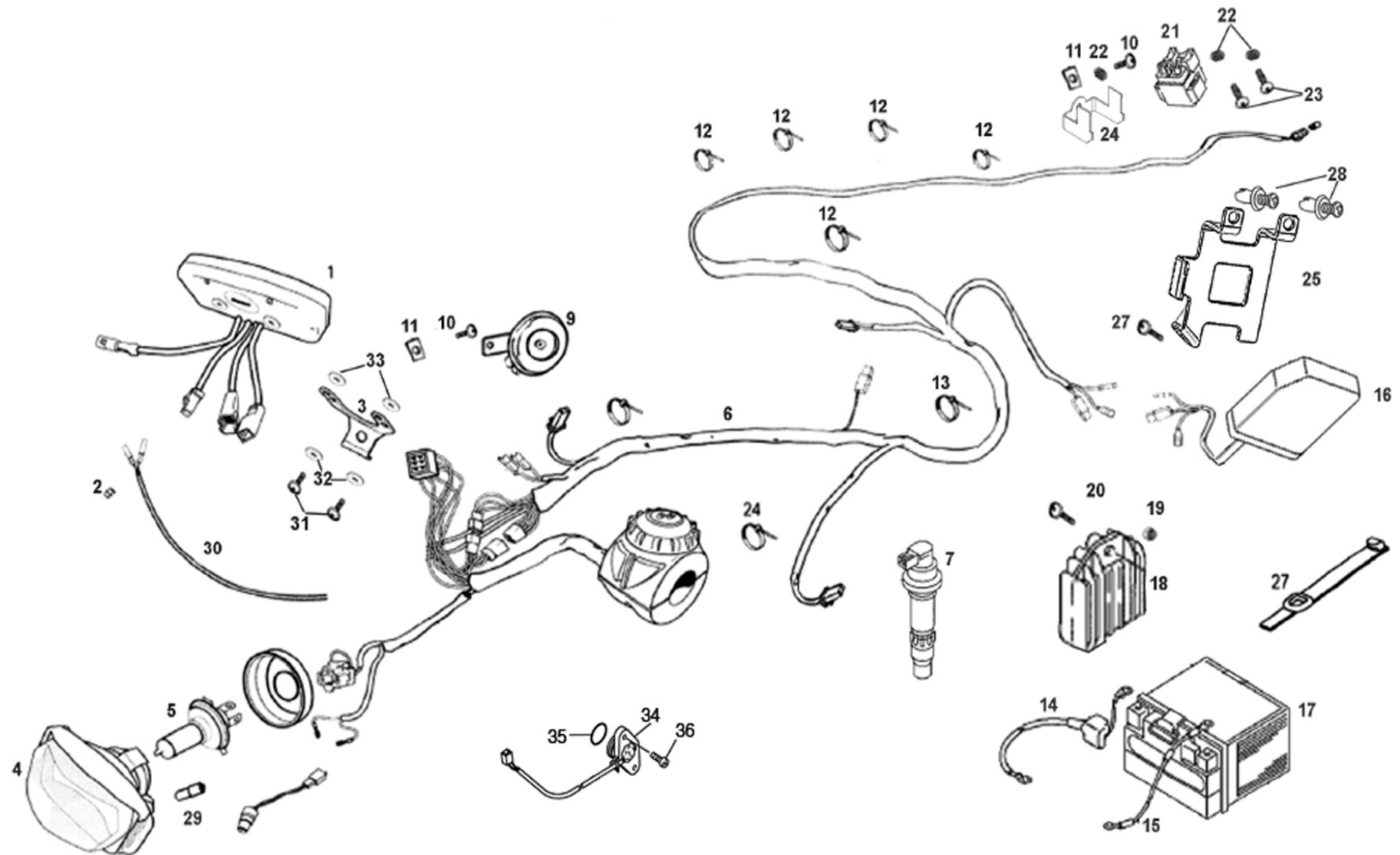
Nº	DESCRIPCION / DESCRIPTION		Cant
32	TORNILLO SUJECIÓN BRIDA MANILLAR 8X35 / CLAMP SCREW 8X35	T0308035	4
33	BOMBA FRENO DELANTERO / FRONT BRAKE PUMP SET	BC25922008/2	1
34	KIT PISTÓN 9,5 / PISTON KIT 9,5	BF45-00004-2512	1
36	BRIDA / CLAMP	BC25922211	1
37	BRIDA GRANDE / BIG CLAMP	BE25634009	2
38	BRIDA PEQUEÑA / LITTLE CLAMP	BE25634010	1
39	CTO. ESCLAVO PARA MOTOR YAMAHA / SLAVE CYLINDER FOR YAMAHA ENGINE	BF45-00010-2512	1
40	SANGRADOR / BLEEDER	BF45-00011-2511	1
41	ARANDELA RACOR	T4008012	2
42	CTO. EMBRAGUE HIDRÁULICO-MECÁNICO MAGURA 9,5 (163) / MAGURA 9,5 (163) HYDRAULIC-MECANIC ASSY	BF45-00000-2512	1
44	BRIDA UNEX CORTA 2221-0 2.5X98 / SHORT UNEX CLAMP 2221-0 2.5X98	BE25634010	1
45	INTERRUPTOR CONTACTO CON BOTON ARRANQUE / START BUTTON SWITCH CONTACT	BFS450734033	1
46	PROTECTOR MANILLAR DIAMETRO VARIABLE / VARIABLE DIAMETER ANDLEBAR PROTECTOR	BE250724004	1
47	GOMA SUJECIÓN CABLEADO / CABLED RUBBER HOLDER	BFS450320067	2
48	BRIDAS SERRETAS / CLAMP	BE25634007	2
49	FIJACIÓN / SLEEVE	BF45-00013-2512	1



Nº	DESCRIPCION / DESCRIPTION		Cant
1	CTO. MULTIFUNCIÓN ENDURO / ENDURO MULTIFUNCTION SET	EE600002511	1
2	PASACABLES CTA. KMS. / SPEED CABLE HOSE	BE250334053	3
3	SOPORTE MULTIFUNCIÓN / MULTIFUNCTION SUPPORT	BFS450634045	1
4	OPTICA HALOGENA / OPTIC HALOGEN	EE200002511	1
5	BOMBILLA HALOGENA / HALOGEN LAMP	L300125	1
6	INSTALACION LUZ / LIGHT INSTALATION	EE10000012511	1
7	BOBINA / IGNITION COIL	5UL-82310-10	1
9	CLAXON / KLAXON	EFS204004508	1
10	ULS 6X16 ARAND. INC. / BOLT ULS 6X16 WASHER	T0556016	2
11	GRAPA NUT 6 / 6 NUT	T2606000	2
12	BRIDA SERRETA / FLANGE	BE25634009	5
13	BRIDA SERRETA CORTA / SHORT FLANGE	BE25634010	1
14	CABLE POSITIVO / POSITIVE CABLE	EFS400152510	1
15	CABLE MASA / MASA CABLE	EFS400102510	1
16	CDI	5UM-85540-L1	1
17	BATERIA / BATTERY	BFS400134080/3	1
18	REGULADOR /REGULATOR	5UM-81960-E0	1
19	TUERCA M6 ALTA CON ARAND. / NUT METRIC 6 AND WASHER	T2106002	1
20	ULS 6X20 ARANDELA INCORP. / BOLT ULS 6X20 WASHER	T0556020	1
21	RELE ARRANQUE / STARTER RELAY	BFS400134075/2	1
22	ARANDELA ABANICO / FAN WASHER	T4006020	3
23	ULS 6X10 / BOLT 6X10 ULS	T0506010	2
24	SOPORTE RELE / SUPORT RELAY	BFS450480119	1
25	SOPORTE CDI / CDI SUPORT	EE551002508	1
26	GOMA CDI / CDI RUUBER	BE250034100	1
27	TORNILLO CHAPA / SCREW PLATE	T0706316	1
28	CLIP / CLIP	MFS450580013/2	2
29	BOMBILLA LUZ POSICIÓN / POSITION LIGHT	L300126	1
30	CABLE MULTIFUNCION / MULTIFUNTION CABLE	BE250634050	1
31	ULS 4X10 / SCREW ULS 6X10	T0554010N/3	2
32	ARANDELA GOMA MULTIFUNCION / MULTIFUNTION RUBBER WASHER	EE650102508	2
33	ARANDELA 4X12X1 / 4X12X1 WASHER	T4004012	2

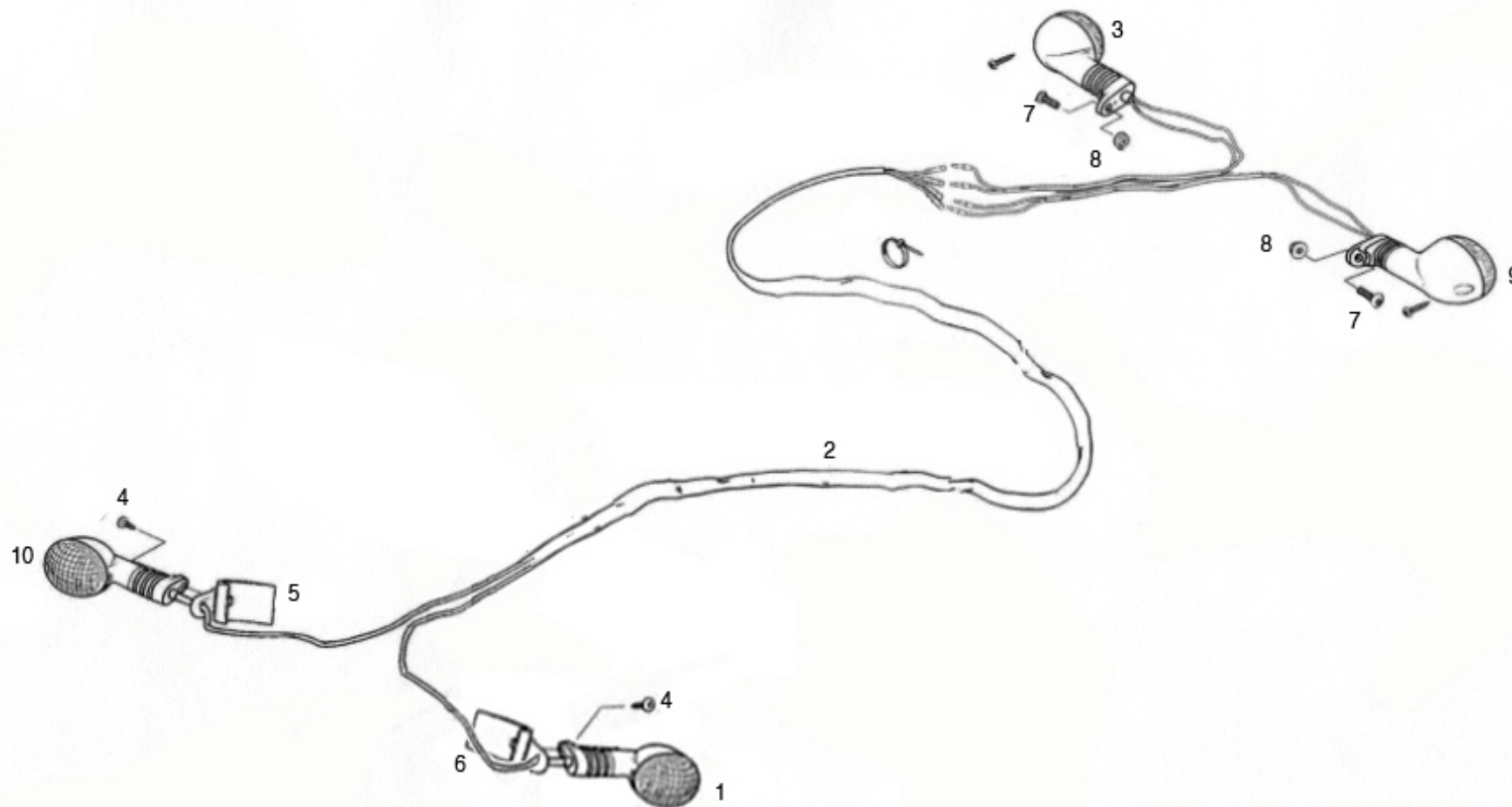
**GASGAS**

**Chasis 2**





Nº	DESCRIPCION / DESCRIPTION		Cant
34	INTERRUPTOR DE PUNTO MUERTO / NEUTRAL SWITCH ASSY	5TJ-82540-01	1
35	TÓRICA / O-RING	93210-21001	1
36	TORNILLO, TAPA / SCREW, BINDING	90154-05022	2

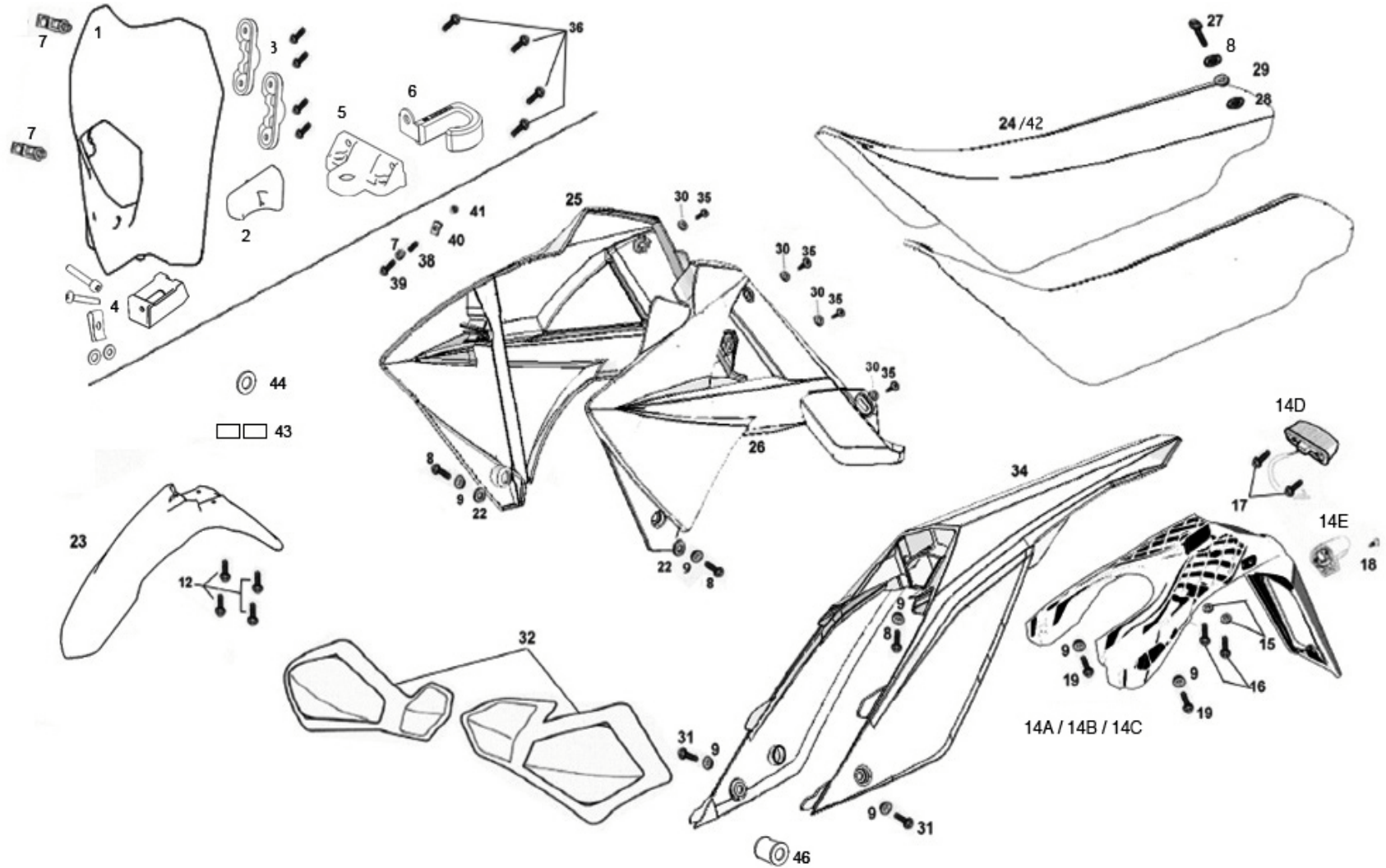




**MONTAJE PLÁSTICOS**  
**PLASTIC PARTS**

**GASGAS**

**ECI250-FI 2012**



Nº	DESCRIPCION / DESCRIPTION		Cant
1	PORTAFAROS DELANTERO BLANCO / FRONT WHITE HEADLAMP	BE905002511	1
2	GUÍA LATIGUILLO SUPERIOR	BE905512511	1
3	SOPORTE FARO /	BE905102511	2
4	ALARGO REGULADOR ÓPTICA /	BE905302511	1
5	SOPORTE FARO GUARDABARROS /	BE911002511	1
6	GUÍA LATIGUILLO /	BE215202511	1
7	GOMA SUJECIÓN FARO / RUBBER SECURIN HEADLAMP	BE25636015	2
8	CASQUILLO SILLIN ALUMINIO ROJO / ALUMINIUM SEAT RED CAP	BE940602510	1
9	CASQUILLO / BUSH	BE250032060	8
10	TORNILLO ESPECIAL 6X14 / SPECIAL SCREW 6X14	T0206014	4
11	CASQUILLO TAPA / RADIATOR CAP COVER	BE250032060	11
12	TORNILLO / SCREW	T0206020	4
13	CASQUILLO ESPECIAL 6X20 / SPECIAL SCREW 6X20	T0206020	4
14A	PORTA MATRICULA / TUITION SUPPORT	BE25072003	1
14B	PORTA MATRICULA COMPLETO / KIT TUITION SUPPORT	BE25072003CT	1
14C	PORTA MATRICULA COMPLETO RACING / RACING KIT TUITION SUPPORT	BE25072003USCT	1
14D	LUZ PILOTO / PILOT LIGHT	BE250734015	1
14E	LUZ MATRÍCULA / LIGHT ENROLLMENT	BE250734124	1
15	ARANDELA 5X12X1 / 5X12X1 WASHER	T4005012	2
16	TORNILLO ROSCA PLÁSTICO / PLASTIC SCREW THREAD	BE250728058	2
18	UFK M5X12 / 5X12 UFK	T1003009	2
19	TORNILLO ESPECIAL 6X20 / SPECIAL SCREW 6X20	T0315012	1
20	ULS 6X16 / 6X16 ULS	T0206020	4
21	TUERCA ESTRIADA M6 / GROOVED NUT METRIC 6	T0556016	1
22	ARANDELA NYLON / NYLON WASHER	T06065017	2
23	GUARDABARROS DELANTERO ROJO / RED FRONT FENDER	BF90000014512	1
24	FUNDA SILLIN / SEAT COVER	BE940012510	1
25	CTO. TAPA RADIADOR DRCH. / RIGHT RADIATOR COVER ASSY	BF90000024512	1
26	CTO. TAPA RADIADOR IZQ. / LEFT RADIATOR COVER ASSY	BF90000034512	1
27	TORNILLO ESP. 6X30 / ESPECIAL SCREW 6X30	T0206030	1
28	ARANDELA PLÁSTICO / PLASTIC WASHER	BE250710213	1
29	CASQUILLO SILLIN / SEAT CAP	BE25610007	1
30	CASQUILLO TAPA RADIADOR / RADIATOR CAP COVER	BE915502510	4

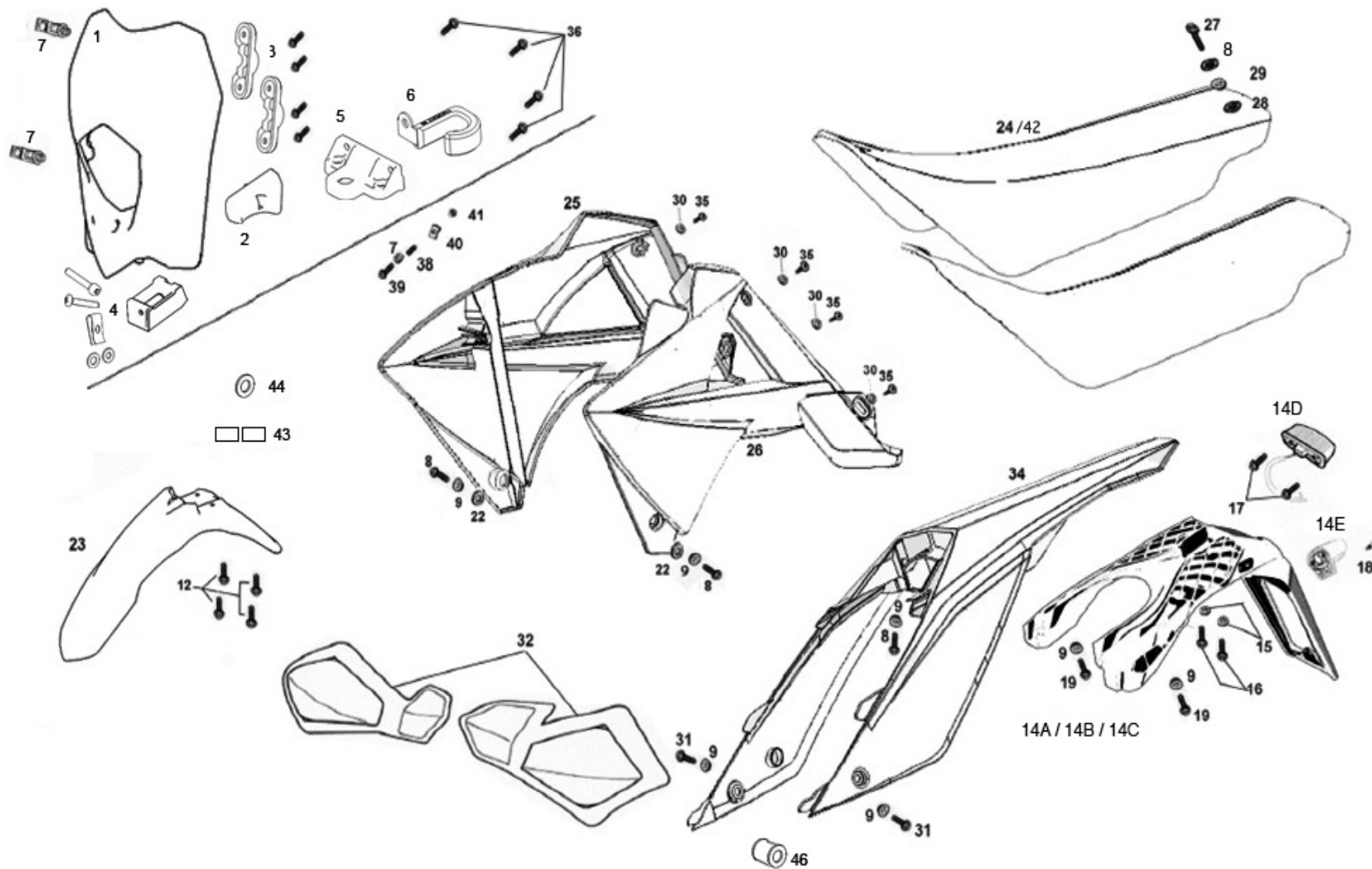
**GASGAS**

**Chasis 3**

**MONTAJE PLÁSTICOS**  
**PLASTIC PARTS**

**GASGAS**

**ECI250-FI 2012**

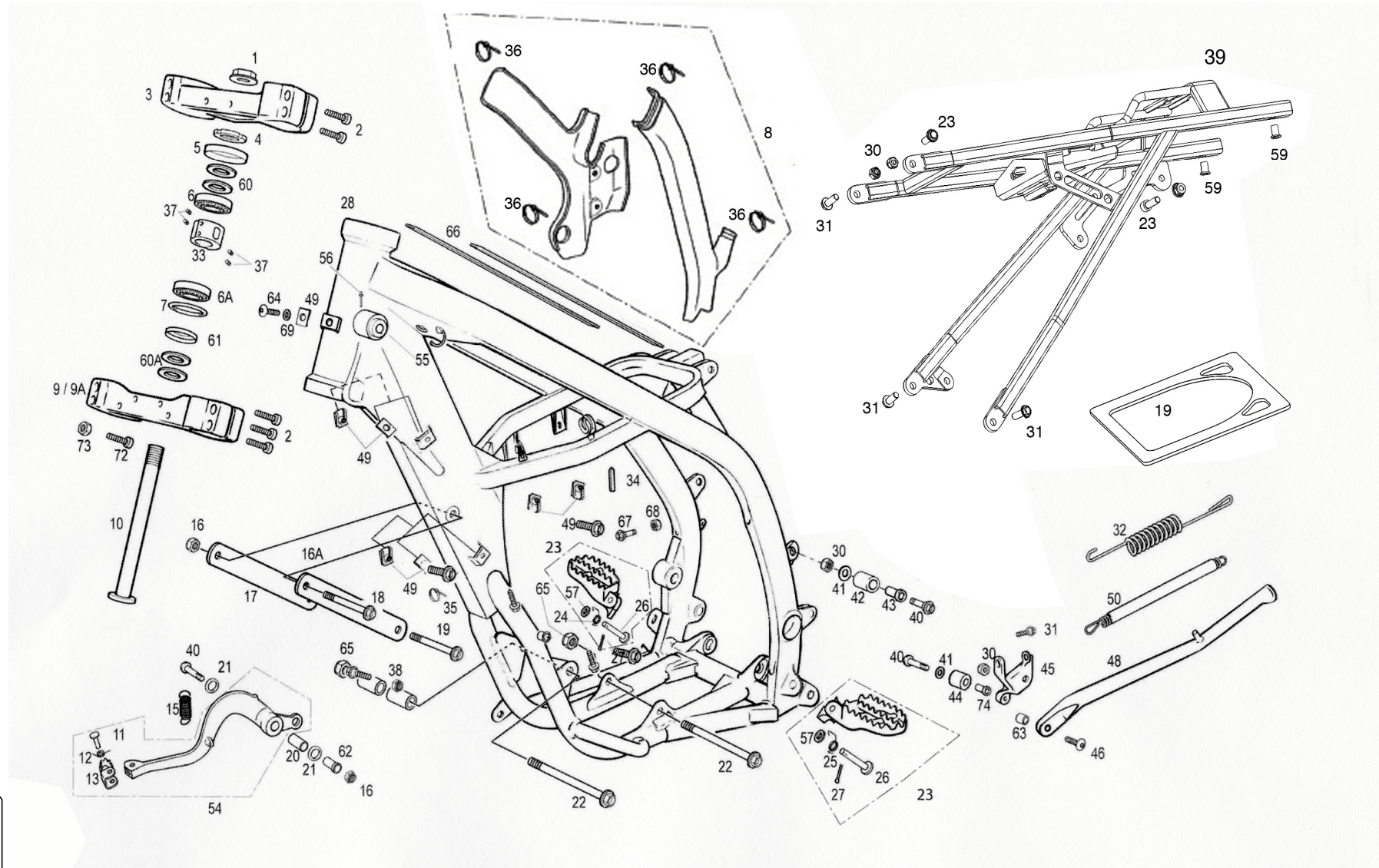




**CHASIS  
FRAME**

**GASGAS**

**ECI250-FI 2012**





Nº	DESCRIPCION / DESCRIPTION		Cant
1	TUERCA DIRECCIÓN / STEERING SHAFT NUT	BE25610030	1
2	ALLEN 7X30 / 7X30 ALLEN BOLT	T0307030	10
3	BRIDA SUSPENSIÓN SUPERIOR / FORK CLAMP (UPPER)	BE220002510	1
4	TUERCA DIRECCIÓN INFE. / LOWER STEERING SHAFT NUT	BE25610029	1
5	GUARDAPOLVO COJINETE DIRECCIÓN / BEARING DUST COVER	BE25610126	1
6	COJINETE DIRECCIÓN / STEERING BEARING	BE25610008	1
6A	COJINETE DIRECCIÓN / STEERING BEARING	BE250610008	1
7	TÓRICA DIRECCIÓN 50X5 / STEERING O'RING	BE25610012	1
8	CONJUNTO PROTECTOR DE CHASIS / FRAME PROTECTION SET	BE250520030CT	1
9	BRIDA SUSPENSIÓN INFERIOR / FORK CLAMP (LOWER)	BE210001210	1
10	EJE DIRECCIÓN / STEERING SHAFT	BE250614003	1
11	ALLEN 5X12 / 5X12 ALLEN	T0305012	2
12	PEDAL FRENO /	BE130002510	1
13	PUNTERA PEDAL FRENO / BRAKE PEDAL END	BE130102510	1
15	MUELLE PEDAL FRENO / BRAKE PEDAL SPRING	BE25610023	1
16	TORNILLO 10X120 / 10X120 SCREW	T0310120	1
17	TORNILLO 10X130 / 10X130 SCREW	T0310130	1
18	TUERCA M10 / M10 NUT	T3110003	2
19	ESPUMA BATERIA / BATTERY FOAM	BFS450734090	1
20	GLACIER PEDAL FRENO / BRAKE PEDAL BEARING	BE250010009	1
21	TÓRICA PEDAL ARRANQUE D 11X2 / 11X2 KICKSTART O'RING	ME250036063	2
22	TORNILLO ESP. CON VALONA / SPECIAL SCREW 6X20	T0606020	1
23	KIT ESTRIBOS / FOOTREST SET	BE14000CT2509	1
24	MUELLE ESTRIBO DERECHO / RIGHT FOOTREST SPRING	BE25610037	1
25	MUELLE ESTRIBO IZQUIERDO / LEFT FOOTREST SPRING	BE25610038	1
26	CASQUILLO ESTRIBO / FOOTREST BUSHING	BE25610006	2
27	CLAVILLA ZINC 3X35 / 3X35 ZINC PIN	BE25622022	2
28	CHASIS ENDURO / ENDURO FRAME	BF10000032512	1
29	TORNILLO ESPECIAL 8X25 / 8X25 SPECIAL SCREW	T0208025	1
30	TUERCA AUTOBLOCANTE M8 BAJA / LOW M8 SELF-LOCKING NUT	T2108001	3
31	TORNILLO ESPECIAL 8X20 / SPECIAL SCREW 8X20	T0208020	3
32	MUELLE EXTERIOR CAVALLETE / SUPPORT OUTER SPRING	BE250510039	1
33	CASQUILLO ANTIRROBO EJE DIRECCIÓN / STEERING AXLE ANTI-THEFT BUSHING	BE242002510	1
34	FUNDA CLIP 1X70 CHASIS / CHASSIS CLIP SLEEVE 1X70	BE250411000	3

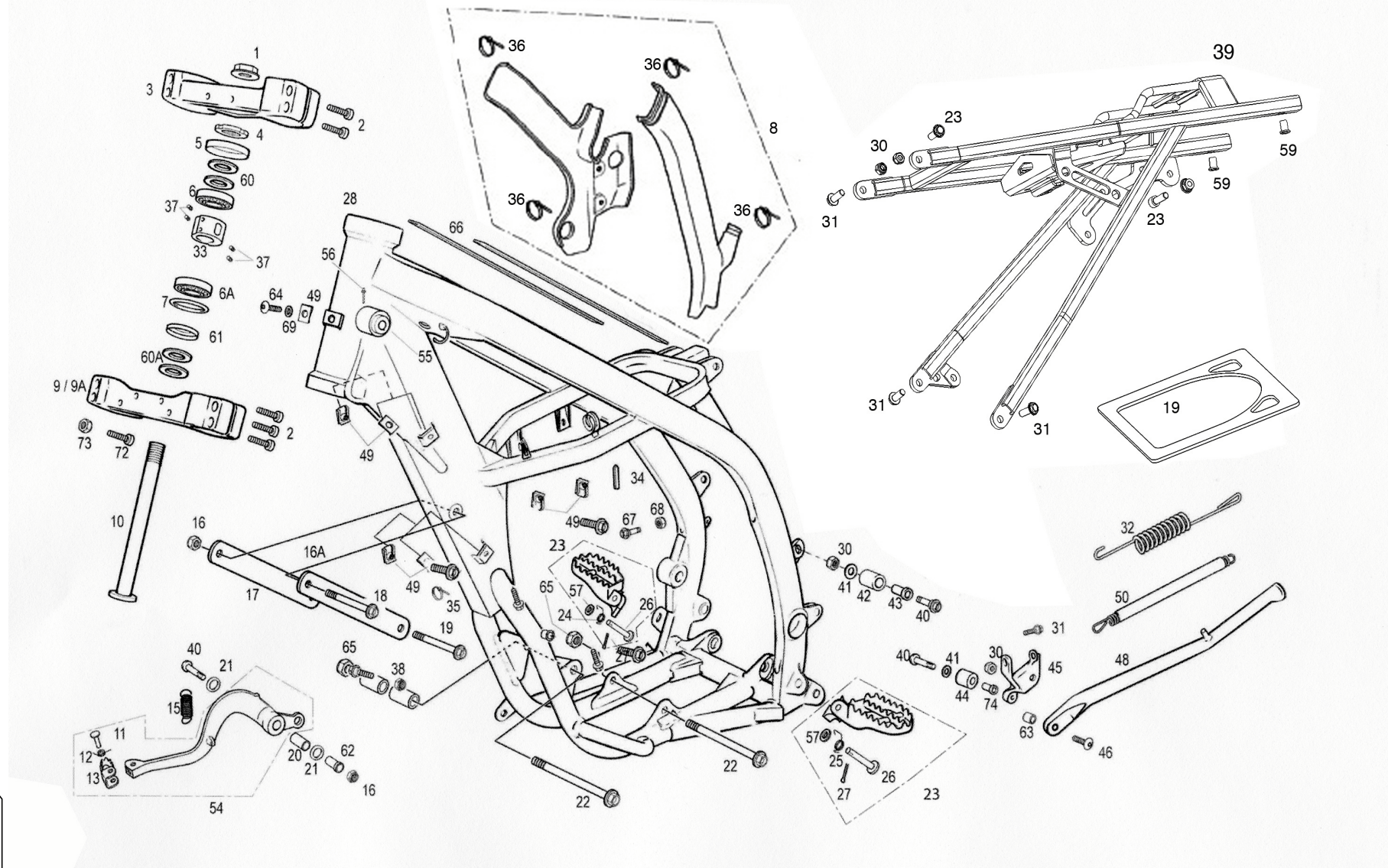
**GASGAS**

**Chasis 4**

**CHASIS  
FRAME**

**GASGAS**

**ECI250-FI 2012**



Nº	DESCRIPCION / DESCRIPTION		Cant
35	BRIDA UNEX 2274 4.8X20 / 2274 UNEX CLAMP 4.8X20	BE25634009	1
36	BRIDA UNEX 2274 4.8X36 / 2274 UNEX CLAMP 4.8X36	BE25634007	4
37	TORNILLO PRISIONERO M6X8 / SET SCREW M6X8	BE250310073	4
38	ADHESIVO ESPUMA DEPOSITO / STICKY FOAM I DEPOSIT	BFS172102510	1
39	COLA CHASIS / FRAME TAIL	BFS120004511	1
40	TORNILLO ESPECIAL 8X45 / 8X45 SPECIAL SCREW	T0208045	1
41	ARANDELA 8X20X1,5 / 8X20X1.5 WASHER	T4008020	2
42	RODILLO GUIA CAD. SUP. / UPPER CHAIN ROLL	BE25610014	1
43	CASQUILLO ROD. 6,25X12X25 / 6.25X12X25 BUSHING	BE250712016	1
44	RODILLO GUIA CADENA 13,5X32X23,5 / LOWER CHAIN ROLL	BE25610032	1
45	SOPORTE CABALLETE / SIDE STAND HOLDER	BE250212023	1
46	ULS 8X30 / 8X30 ULS BOLT	T0508030	1
48	CABALLETE EC2005 / EC2005 SIDE STAND BRACKET	BE142002510	1
49	TUERCA ENJAULADA M6 / CAGED NUT M6	T2606000	5
50	MUELLE CABALLETE / SIDE STAND BRACKET SPRING	BE250410039	1
51	ARANDELA 6X20X1.5 / WASHER	T4006020	1
52	TUERCA AUTOBLOCANTE M6 ALTA / M6 SELF-LOCKING NUT HIGH	T2106002	2
54	CTO. PEDAL FRENO TRASERO / REAR BRAKE PEDAL SET	BF15-00000-2512	1
56	CTO. ANTIRROBO / STEERING LOCK	BT280210075	1
57	ARANDELA 10.5x19X2 / 10.5x19X2 WASHER	T4001019	2
58	TORNILLO ESP. 6X45 / 6X45 SPECIAL SCREW	T0206045	1
59	TUERCA REMACHABLE / RIVETABLE NUT	BE250010070	4
60	ARANDELA DIRECCIÓN / STEERING WASHER	BE25610028	2
61	CAZOLETA DIRECCIÓN / STEERING CAP	BE250610026	1
62	CASQUILLO SOPORTE PEDAL FRENO EC250 / BRAKE PEDAL SUP. BUSHING	BE250210916	1
63	CASQUILLO CABALLETE EC2001 / SIDE STAND HOLDER BUSHING	BE250112011	1
64	TORNILLO ULS 6X16 / 6X16 ULS	T0506016	1
65	TUERCA AUTOBLOCANTE M10 / M10 SELF-LOCKING NUT	T3110003	2
67	CTO. ADH. ESPUMA CHASIS / STICKY ASSEMBLY FOAM CHASSIS	BFS172002510	1
68	ARANDELA 8X16X1.5 / WASHER	T4008016	2
69	ARANDELA PLANA 6X12X1.5 / 6X12X1.5 WASHER	T4006012	2
70	ULS 6X20 CON ARANDELA ZINCADO / ULS 6X20 WITH ZINC WASHER	T0556020	2
71	ALLEN 8X20 / 8X20 ALLEN BOLT	T0308020	2

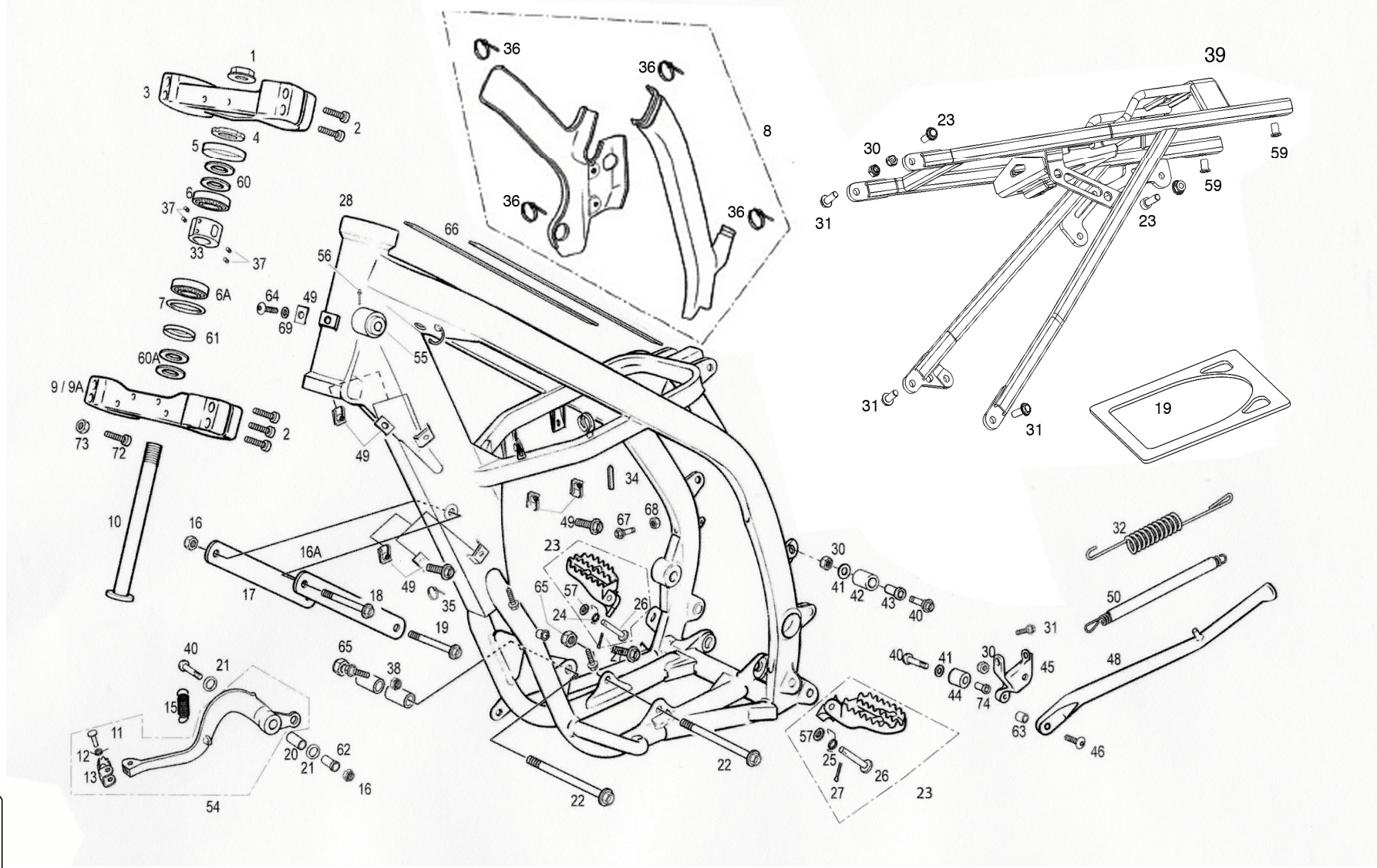
**GASGAS**

**Chasis 4**

**CHASIS  
FRAME**

**GASGAS**

**ECI250-FI 2012**

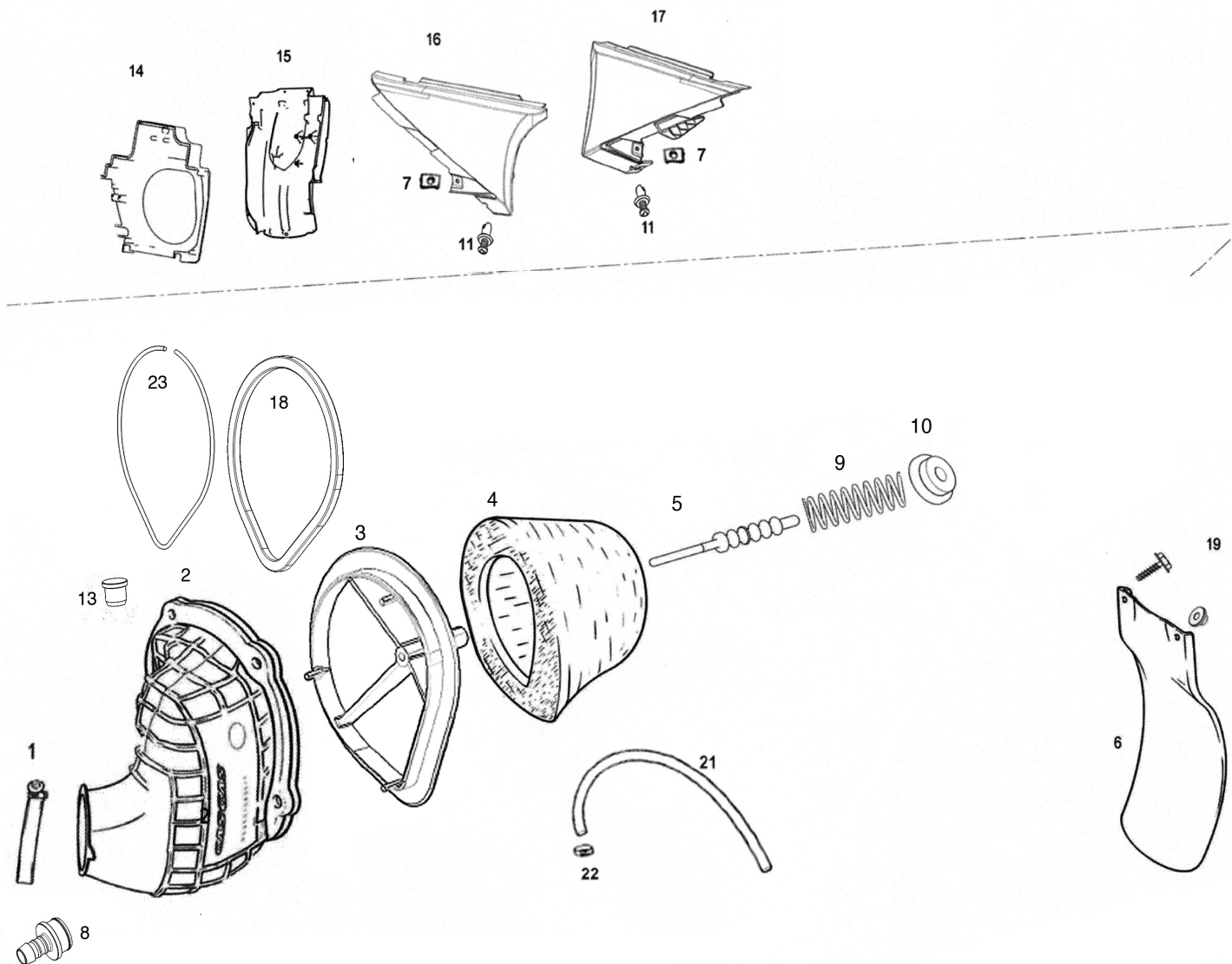




**FILTRO DE AIRE**  
**AIR FILTER**

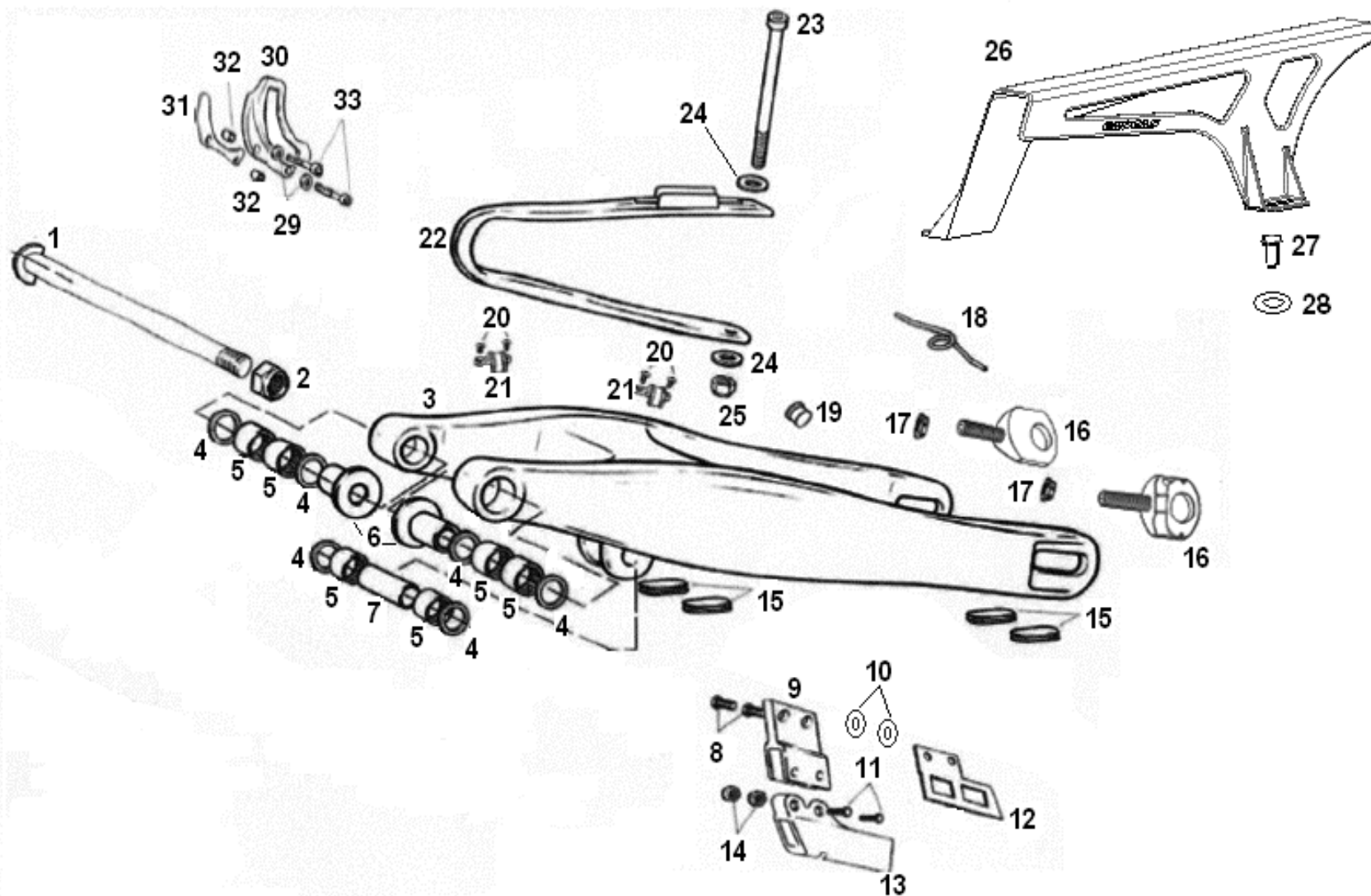
**GASGAS**

**ECI250-FI 2012**



Nº	DESCRIPCION / DESCRIPTION		Cant
1	ABRAZADERA / CLAMP	90450-61002	1
2	GOMA TUBERA CAJA FILTRO / AIR FILTER BOX RUBBER	5UM-14453-LO	1
3	JAULA FILTRO AIRE / AIR FILTER CARRIER	BE250628002	1
4	FILTRO AIRE / AIR FILTER	BE250728000	1
5	VARILLA PALOMA FILTRO / FILTER BOLT	MF25000032512	1
6	PROTECTOR SUSPENSIÓN TRASERA / REAR SHOCK ABSORBER PROTECTOR	BE25620008	1
7	GRAPA NUT /STAPLE NUT	T2606000	2
8	CONECTOR TUBO DESVAPORIZADOR / CONNECTOR TUBE VAPORIZER	MF25000012512	1
9	MUELLE VARILLA CAJA FILTRO / SPRING FOR FILTER BOLT	BE250728051	1
10	ARANDELA NYLON TOPE MUELLE CAJA FILTRO / NYLON WASHER	BE250728052	2
11	CLIP-TORNILLO (1021) / CLIP SCREW	MFS450580013/2	2
13	TAPÓN PULMÓN / CAP	MF25000022512	1
14	TAPA CAJA FILTRO DEL./ FRONT FILTER BOX WALL	BE250728054	1
15	TAPA CAJA FILTRO TRAS./ REAR FILTER BOX WALL	BE790902510	1
16	TAPA CAJA FILTRO DRCHA./ RIGHT FILTER BOX WALL	BE250728056	1
17	TAPA CAJA FILTRO IZQ./ LEFT FILTER BOX WALL	BE250728057	1
18	ANILLO / RING	ME25000123011	1
19	TORN. ROSCA PLASTICO PROTECTOR AMORTIGUADOR / SCREW	BE250728058	2
20	CASQUILLO PROTECTOR AMORTIGUADOR / BUSH	BE250728059	2
21	TUBO DESVAPORIZADOR CULATA / TUBE DESVAPORIZADOR BUTT	MQ400280102	1
22	ABRAZADERA COBRA 15 / CLIP RECEIVES 15	L200053	1
23	ARO METÁLICO SUJECIÓN PULMÓN /STEEL RING FOR AIR BOX RUBBER	MF25-00005-2512	1







Nº	DESCRIPCION / DESCRIPTION		Cant
1	EJE BASCULANTE / SWINGARM AXLE	BE250312008	1
2	TUERCA / NUT	BE25612009	1
3	BASCULANTE / SWINGARM	BE250612002RC	1
4	TORICA 3.5X21 / O-RING 3.5X21	BE250510011	6
5	JAULA AGUJAS / NEEDLE BEARING	BE25614010	6
6	CASQUILLO BASCULANTE / SWINGARM BUSH	BE400012511	2
7	CASQUILLO 14X22X57 / BUSH 14X22X57	BE25612014	1
8	TORNILLO ALLEN 8X20 / ALLEN SCREW 8X20	T0308020	2
9	SOPORTE GUIA CADENA / CHAIN GUIDE SUPPORT	BC250221018	1
10	ARANDELA PLANA 6X12X1.5 / FLAT WASHER 6X12X1.5	T4006012	2
11	TORNILLO 6X45 / SCREW 6X45	T0206045	2
12	PLACA REF GUIA CADENA / REINFORCEMENT PLATE FOR CHAIN GUIDE	BC250412032	1
13	GUIA CADENA / CHAIN GUIDE	BE420002511	1
14	TUERCA AUTOBLOC. M-6 / SELF-LOCK NUT M-6	T2206002	2
15	GOMA PROTECTOR BASCULANTE / SWINGARM PROTECTION RUBBER	BE25836005	4
16	SENSOR RUEDA / WHEEL SENSOR	BE250418022	2
17	TUERCA / NUT	M01613001	2
18	MUELLE SENSOR RUEDA TRAS. / REAR WHEEL SENSOR SPRING	BE250718122	1
19	TAPON BASCULANTE / SWINGARM CAP	BE250436001	4
20	TORNILLO ULS 5X12 / ULS SCREW 5X12	T0505012	4
21	SUJ.LATIG.SOBRE BASC. / HOSE HOLDER	BE25612006	2
22	PATIN CADENA / CHAIN SLIDER	BE420502508	1
23	TORNILLO ALLEN 6 X 100 / ALLEN SCREW 6X100	T03060100	1
24	ARANDELA 6X18X1.5 / WHASER 6X18X1.5	T4006018	2
25	TUERCA AUTOBL. M-6 / SELF-LOCK NUT M-6	T2106002	1
26	PROTECTOR CADENA / CHAIN PROTECTION	BE250328011	1
27	TORNILLO ULS 6X16 / ULS SCREW 6X16	T0506016	1
28	DISTANCIADOR CUBRECADENA / CHAIN PROTECTOR SPACER	BE250720106	1
29	ARANDELA PLANA 6X12X1.5 / FLAT WASHER 6X12X1.5	T4006012	2
30	PROTECTOR PIÑON PLASTICO / SPROCKET PLASTIC PROTECTOR	BE486002508	1
31	PLATINA PROTECTOR PIÑON / SPROCKET PLATE PROTECTOR	ME25636021	1
32	CASQUILLO DISTANCIADOR PIÑON / SPROCKET SPACER BUSH	ME250036019	2
33	TORNILLO ALLEN 6x45 / ALLEN SCREW 6X45	T0306045	2

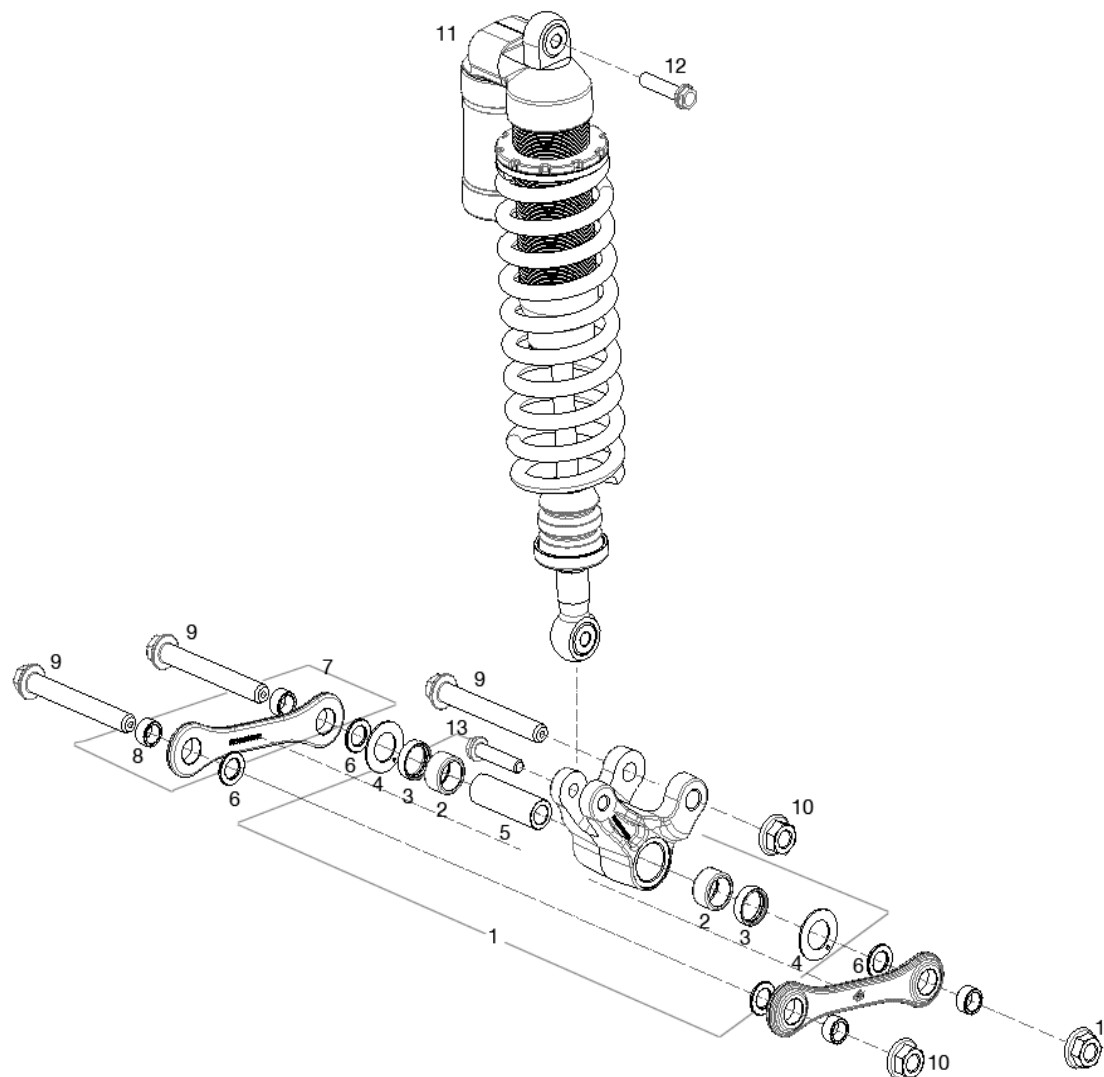
**GASGAS**

**Chasis 6**

**SUSPENSIÓN TRASERA**  
**REAR SUSPENSION**

**GASGAS**

**EC/250-FI 2012**

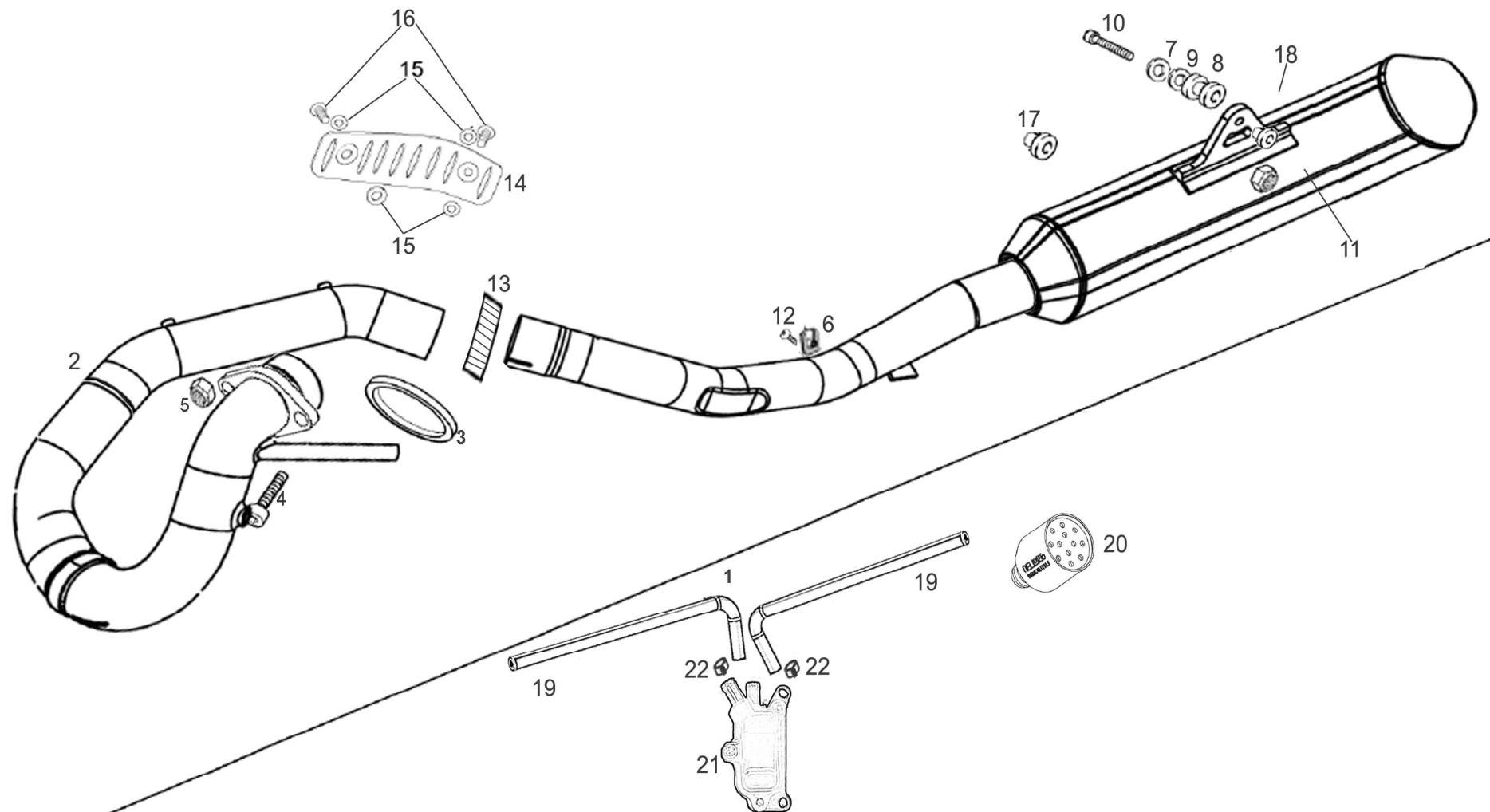


Nº	DESCRIPCION / DESCRIPTION		Cant
1	CTO.BALANCIN / ROCKER ARM ASSY	BE32000NCT3011	1
2	JAULA AGUJAS / NEEDLE BEARING	BE25614010	2
3	RETEN DIAM.28X22X8 / SEAL DIAM. 28X22X8	BE32025N3011	2
4	ARANDELA IGLIDUR G / IGLIDUR G WASHER	T4003822	2
5	EJE / SHAFT	BE32020N3011	1
6	ARANDELA 15X25X2.5 / WASHER 15X25X2.5	T4015025	4
7	CTO. BIELETA / CONNECTING ROD ASSY	BE34000NCT3011	2
8	CASQUILLO BIELETA / CONNECTING ROD BUSH	BE25642002	4
9	TORNILLO M14X110 / SCREW M14X110	T0214110R	3
10	TUERCA / NUT	BE25612009	3
11	AMORTIGUADOR ÖHLINS / ÖHLINS SHOCK	BE30000043012	1
12	TORNILLO M10X45 / SCREW M10X45	T0210045	1
13	TORNILLO M10X40 / SCREW M10X40	T0110042	1

**TUBO DE ESCAPE  
EXHAUST**

**GASGAS**

**EC/250-FI 2012**

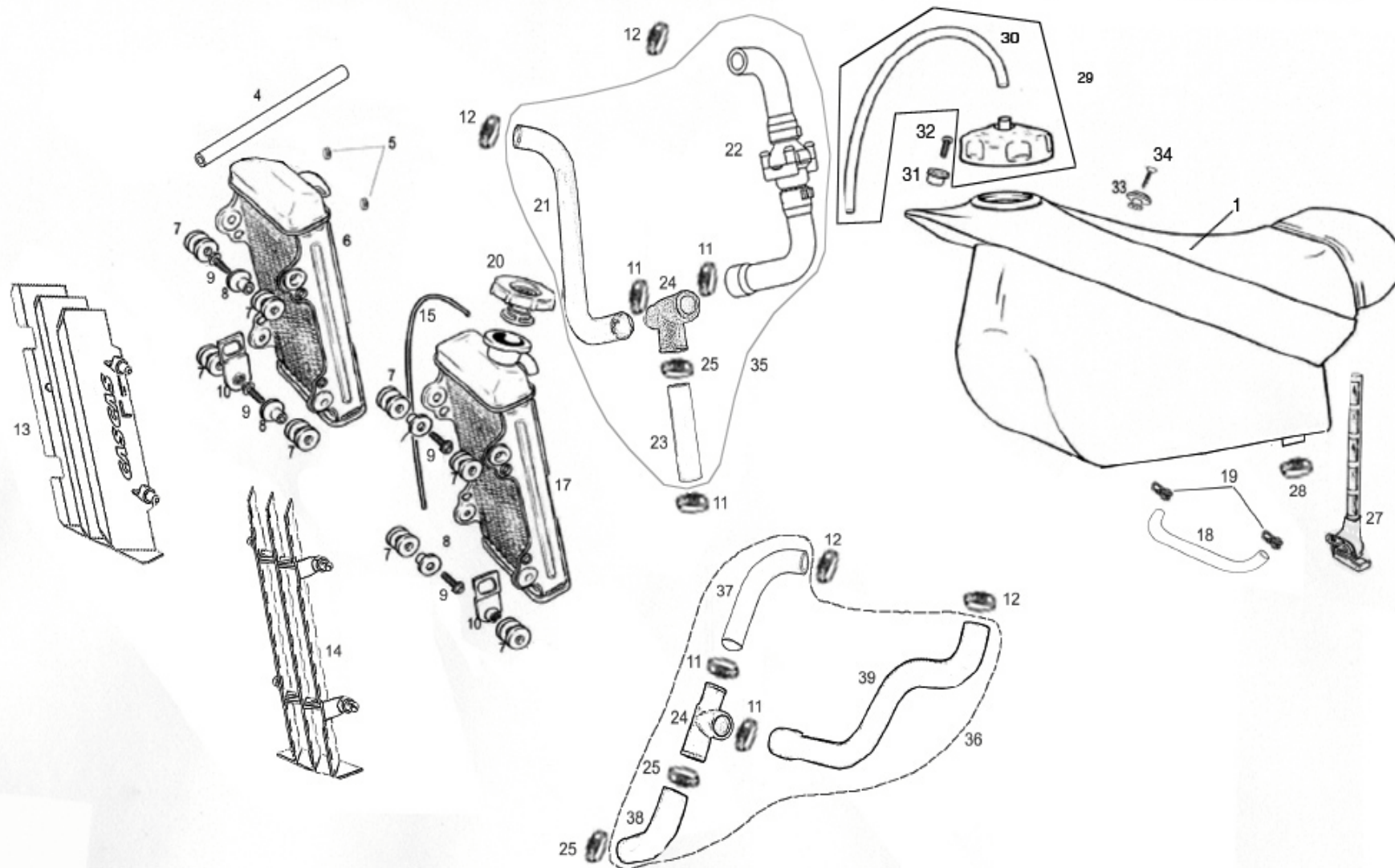


Nº	DESCRIPCION / DESCRIPTION		Cant
1	CTO. ESCAPE-SILENCIOSO EC 250 4T 2010/	BFS85001CT2510	1
2	CURVA ESCAPE HOMOLOGADA / CURVE ESCAPES ACCREDITED	BFS85000H2510	1
3	JUNTA ESCAPE	5NL-14613-00	1
4	ALLEN 8X20	T0308020	1
5	TUERCA M8 BAJA AUTOBL. ARAND / NUT M8 AUTOBL. WASHER	M120116031	1
6	GRAPA NUT M8 / NUT M 8	BT280010041	1
7	ARANDELA 8X16X1.5 / 8X16X1.5 WASHER	T4008016	1
8	GOMA SILENBLOCK / SILENBLOCK RUBBER	BFS870504508	1
9	ARANDELA BOMBADA SILENBLOCK / SILENBLOCK WASHER	BQ450726270	1
10	ALLEN 8X45	T0308045	1
11	TUERCA M8 ALTA CON ARAND. AUTOBL. / NUT M8 AUTOBL. WASHER	T2208002	1
12	ULS 8X20	T0508020	1
13	ABRAZADERA DIAM. 42 / CLAMP DIAM. 42	BFS862102510	1
14	PROTECTOR ESCAPE / EXHAUST PROTECTOR	BFS450526021	1
15	ARANDELA GLASMIDE / GLASMIDE WASHER	T4006715	4
16	ULS CON ARAND. 6X12 / ULS WASHER 6X12	T0556012	2
17	GOMA PROTECTOR PORTANUMEROS / PROTECTIVE RUBBER PORTHOLE NUMBERS	BFS925504510	1
18	CASQUILLO SILENBLOCK / SILENBLOCK SOCKET	BFS870554508	1
19	TUBO GOMA VALVULA / TUBE RUBBER VALVE	BE785551209	2
20	FILTRO AIRE / VALVE FILTER AIR	BT280626059	1
21	VALVULA AIS / AIS VALVE	BE785652509	1
22	ABRAZADERA 14 / 14 CLAMP	MFS450410031	2

**DEPÓSITO  
FUEL TANK**

**GASGAS**

**ECI250-FI 2012**



Nº	DESCRIPCION / DESCRIPTION		Cant
1	DEPÓSITO GASOLINA / FUEL TANK	BFS760002510	1
4	TUBO INTERCONEXIÓN RADIADORES	BE713002511	1
5	ABRAZADERA MUELLE / SPRING CLAMP	MFS400110031	2
6	RADIADOR DERECHO / RIGHT RADIATOR	BFS700012510	1
7	SILENTBLOCK RADIADOR / RADIATOR SILENTBLOC	BIE500132031	8
8	CASQUILLO INF. SUJ. RADIADOR / LOWER RADIATOR HOLDER BUSHING	BE25832040	4
9	TORN. ALLEN 6X20 / 6X20 SCREW ALLEN	T0306020	4
10	PLASTICO LATERAL RADIADOR /RADIATING LATERAL PLASTIC	BE25632015	2
11	ABRAZADERA COBRA 23 / CLAMP 23	L200041	5
12	ABRAZADERA COBRA 22 / CLAMP 22	L200038	4
13	REJILLA RADIADOR DRCH / RIGHT RADIATING GRID	BE730502510	1
14	REJILLA RADIADOR IZQ. / LEFT RADIATING GRID	BE730602510	1
15	TUBO SOBRANTE /LEFTOVER TUBE	BE25632009	1
17	RADIADOR IZQUIERDO / LEFT RADIATOR	BFS450732001	1
18	TUBO GASOLINA / TUBE FUEL	BF75000014512	1
19	ABRAZADERA MUELLE / CLAMP WARF	BE250210047	2
20	TAPON RADIADOR 1.8 / RADIATING PLUG	BFS701504509	1
21	TUBO SUPERIOR DERECHO / TUBE RIGHT SUPERIOR	BFS710502510	1
22	TUBO SUPERIOR IZQ. / TUBE LEFT SUPERIOR	BFS710602511	1
23	TUBO INFERIOR /	BFS710852510	1
24	BIFURCACION / BIFURCATION	BFS711002510	2
25	ABRAZADERA COBRA 26 / CLAMP 26	BE120132051	3
26	DEPOSITO GASOLINA / DIPOSIT FUEL	BFS760002510	1
27	GRIFO GASOLINA / FAUCET FUEL	BPS400510031	1
28	ABRAZADERA COBRA 17 / CLAMP 17	BIT50010033	1
29	TAPON GASOLINA / DIPOSIT PLUG	BE200520010CT	1
30	TUBO DESVAPORIZADOR /DESVAPORIZER TUBBE	BT280310018	1
31	CASQUILLO DEPOSITO / SOCKET DIPOSIT	BE25610007	1
32	TORNILLO DEPOSITO / SCREW DIPOSIT	T0606020	1
33	CASQUILLO SILLIN / SOCKET SEAT	BIE050210007	1
34	TORNILLO ROSCA / SCREWW	T0610001	1
35	CTO. TUBO CULATA A RADIADOR / JOINT TUBE BUTT	BFS71200CT2511	1

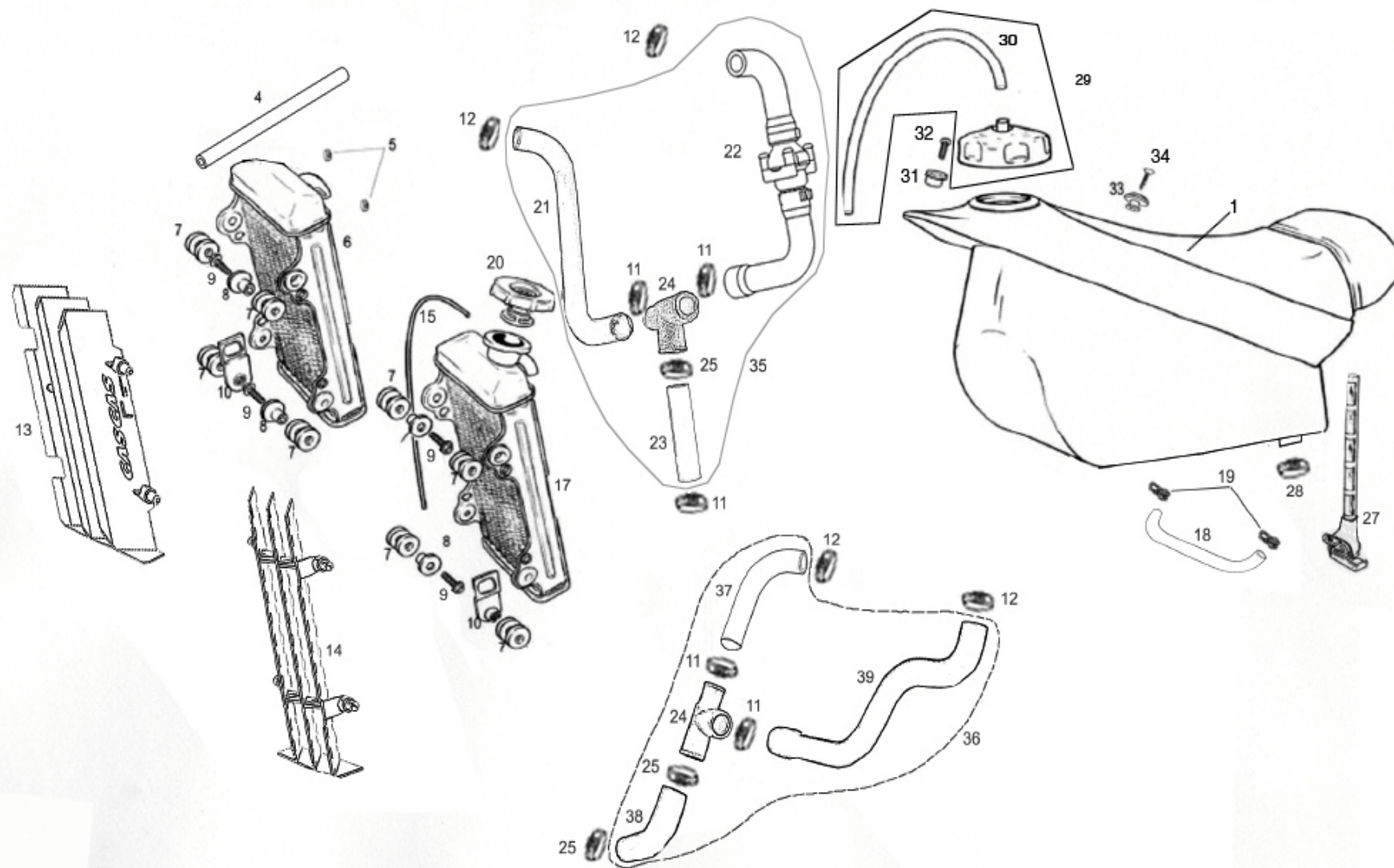
**GASGAS**

**Chasis 8**

**DEPÓSITO  
FUEL TANK**

**GASGAS**

**ECI250-FI 2012**



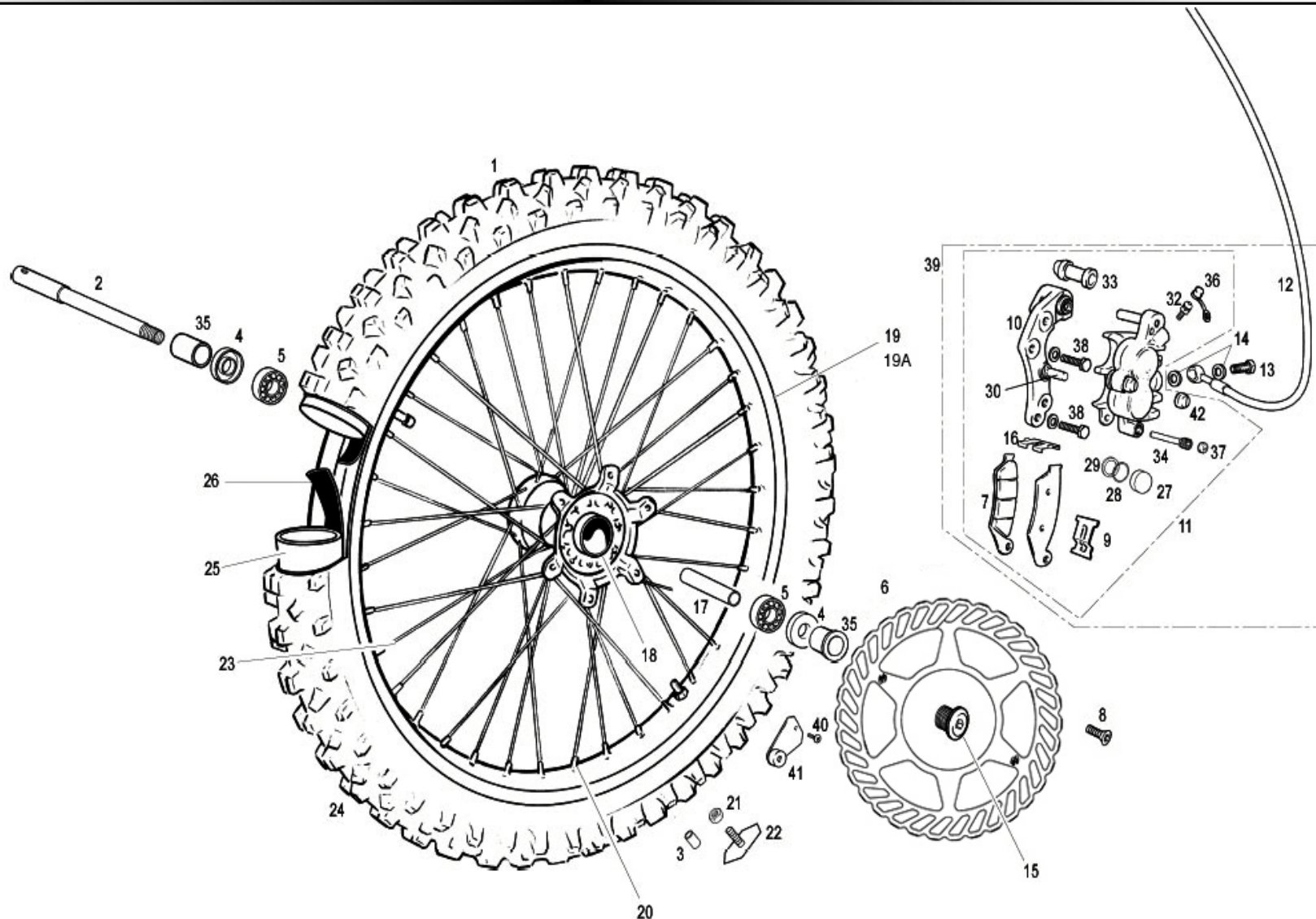




**RUEDA DELANTERA**  
**FRONT WHEEL**

**GASGAS**

**ECI250-FI 2012**



Nº	DESCRIPCION / DESCRIPTION		Cant.
1	RUEDA DELANTERA / FRONT WHEEL	BE50000CT2510	1
2	EJE RUEDA DELANTERA / FRONT WHEEL AXIS	BC250718017	1
3	CASQUILLO AGARRE CUBIERTA DELANTERA / FRONT TIRE HOLDING BUSHING	BE555102510	1
4	RETÉN CUBO DELANTERO 30X42X7 / 30X42X7 FRONT WHEEL GASKET	BE250418057	2
5	COJINETE 6905 2RSR / BEARING	ME120136055	2
6	DISCO FRENO DELANTERO / FRONT BRAKE DISC	BE520002509	1
7	PASTILLAS DE FRENO DELANTERO / FRONT BRAKE PADS	BE620652508	1
8	ULS TORK 6X14 / SCREW 6X12	T0566014	6
9	PLATINA (A) SUJ. PASTILLAS DEL. / FRONT BRAKE PADS HOLDER BRACKET (A)	BE620112508	1
10	SOPORTE PINZA DELANTERO / FRONT CALIPER SUPPORT	BE620102508	1
11	PINZA FRENO DELANT. / FRONT BRAKE CALIPER	BE250722000	1
12	LATIGUILLO FRENO DELANTERO / FRONT BRAKE HOSE	BE250422002	1
13	RACORD SUJ. LATIGUILLO 10X1,25 / HOSE HOLDER RACORD 10X1.25	BC25722006	1
14	ARANDELA LATIGUILLO 10X14X1 / HOSE WASHER 10X14X1	BE25622007	2
15	TORNILLO EJE RUEDA DELANTERA / FRONT WHEEL AXIS BOLT	BE250718026	1
16	PLATINA (B) SUJ. PASTILLAS DELANT. / FRONT BRAKE PADS HOLDER BRACKET (B)	BE620122508	1
17	DISTANCIADOR / SPACER	BE250418058	1
18	CUBO RUEDA DELANTERO SEP. INT. ALUM. / FRONT WHEEL HUB	BE250418007	1
19	LLANTA 1,60X21 / RIM 1.60X21	BE54001R2509	1
19A	CTO. LLANTA DELANTERA RADIADA / RIM WITH SPOKES ASSY	BE54001RCT2509	1
20	TUERCA RADIO DELANTERO / FRONT SPOKE NUT	BE250218010	36
21	TUERCA AUTOBLOCANTE M8 BAJA / M8 NUT SELF-LOCKING LOWER	T2108001	1
22	AGARRE CUBIERTA DELANTERA / FRONT TIRE HOLDER	BE505002509	1
23	RADIO DELANTERO 243X3,5 / FRONT SPOKE 243X3.5	BE542012508	36
24	NEUMÁTICO DELANTERO 90/90-21 / FRONT TIRE 90/90-21	BE501002511	1
25	CÁMARA DELANTERA / FRONT AIR HOSE	BE502002511	1
26	PROTECTOR BANDA DELANTERA / FRONT RIM BAND	BE503002511	1
27	KIT REPARACIÓN PISTONES / PISTON REPARATION SET	BE620422508	4
32	KIT SANGRADOR / BLEEDER SET	BE620602508	1
33	PROTEC. TORNILLO PINZA FRENO DEL. / FRONT BRAKE CALIPER BOLT PROT.	BE620682508	1
35	CASQUILLO RUEDA DELANTERA / FRONT WHEEL BUSHING	BC250418019	2
39	CTO. FRENO DELANTERO PURGADO / FRONT BRAKE SET	BE250422108	1
40	SEGGER DIAM 9	BE520602510	1
41	IMAN DE BOTON / BUTTON MAGNET	BE520502510	1
42	GUARDAPOLVO / DUST COVER	BE620692508	1

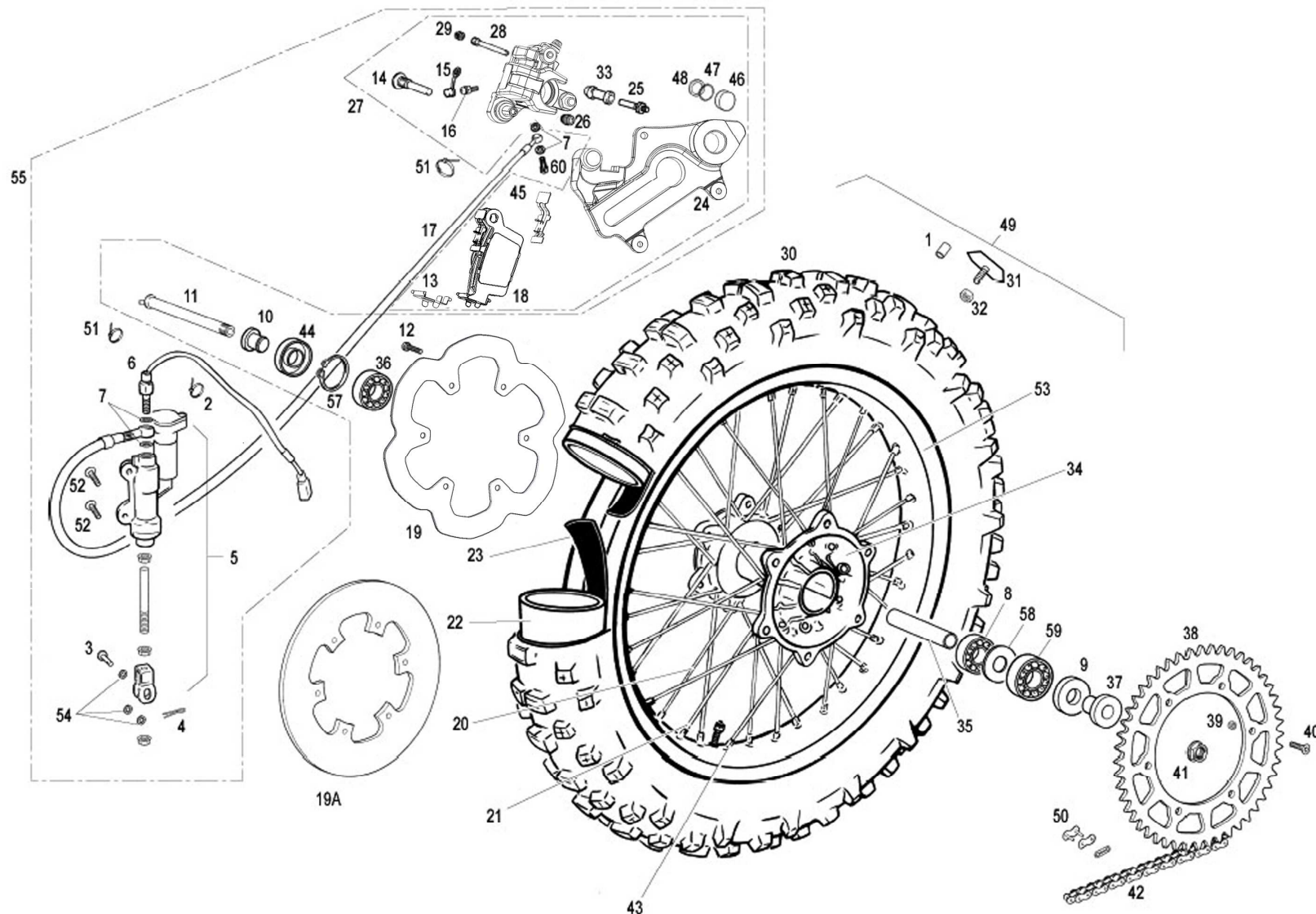
**GASGAS**

**Chasis 9**

**RUEDA TRASERA**  
**REAR WHEEL**

**GASGAS**

**ECI250-FI 2012**



Nº	DESCRIPCION / DESCRIPTION		Cant
1	CASQUILLO AGARRE CUBIERTA DELANTERA / FRONT TIRE HOLDING BUSHING	BE250518048	1
2	BRIDA UNEX 2244 16/102 4.8X36 / CLAMP 2244 16/102 4.8X36	BE25634007	1
3	PASADOR 8X20 PEDAL FRENO / BRAKE PEDAL PIN 8X20	BE25622026	1
4	CLAVILLA PASADOR FRENO 2X20 / BRAKE PEDAL PIN STOPPER	BE25622027	1
5	BOMBA FRENO TRASERO NISSIN / NISSIN REAR BRAKE PUMP	BE660002509	1
6	INTERRUPTOR STOP BOMBA NISSIN / NISSIN BRAKE PUMP STOP SWITCH	BE250334003	1
7	ARANDELA LATIGUILLO 10X14X1 / HOSE WASHER 10X14X1	BE25622007	4
8	COJINETE 6204 2RSR / BEARING 6204 2RSR	C180700	1
9	RETÉN RUEDA TRASERA / REAR WHEEL SEAL	BE250318055	1
10	DISTANCIADOR RUEDA TRASERA CORTO / SHORT REAR WHEEL SPACER	BE250018025	1
11	EJE RUEDA TRASERA / REAR WHEEL AXIS	BE25618020	1
12	TORNILLO HEXAGONAL 6X16 DISCO TRAS. / R. DISC BRAKE HEX. SCREW 6X16	T0206014	6
13	PLATINA (A) SUJ. PASTILLAS TRAS. / REAR BRAKE PADS HOLDER BRACKET (A)	BE250022090	1
14	TORNILLO SUJECIÓN PINZA / CALIPER HOLDER SCREW	BE250022096	1
15	TAPÓN SANGRADOR / BLEEDER CAP	BE250022055	1
16	SANGRADOR / BLEEDER	BE250022060	1
17	LATIGUILLO FRENO TRASERO NISSIN / NISSIN REAR BRAKE HOSE	BE661002509	1
18	PASTILLAS DE FRENO TRASERO / REAR BRAKE PADS	BE250022068	1
18A	PASTILLAS DE FRENO TRASERO NISSIN / NISSIN REAR BRAKE PADS	BE250422068	1
18B	PASTILLAS DE FRENO TRASERO NISSIN / NISSIN REAR BRAKE PADS	BE675002509	1
19	DISCO FRENO TRASERO / REAR BRAKE DISC	BE570002509	1
19A	DISCO FRENO TRASERO MACIZO / REAR BRAKE DISC	BE250222012/2	1
20	RADIO 192X4,5 LADO FRENO 18" / 18" BRAKE-SIDE SPOKE 192X4.5	BE250018015	18
21	RADIO 188X4,5 LADO CORONA 18" / 18" SPROCKET-SIDE SPOKE 188X4.5	BE250018014	18
22	CAMARA TRASERA 18 CR / REAR AIR HOSE 18 CR	BE552002511	1
23	PROTECTOR BANDA TRASERA 18 / REAR RIM BAND	BE553002511	1
24	SOPORTE PINZA TRASERA / REAR CALIPER SUPPORT	BE671002509	1
25	TORNILLO CLAVIJA PINZA FRENO / BRAKE CALIPER BOLT	BE250022034	1
26	GUARDAPOLVO / DUST COVER	BE675802509	1
27	PINZA FRENO TRASERO / REAR BRAKE CALIPER	BE250322001	1
28	PASADOR PASTILLAS / BRAKE PADS PIN	BE250022094	1
29	PROTECCIÓN PASADOR / PIN PROTECTION	BE250022095	1
30	NEUMÁTICO TRASERO 140/80-18 / REAR TYRE 140/80-18	BE551002511	1
31	AGARRE CUBIERTA TRASERA / REAR TYRE HOLDER	BE555002509	1

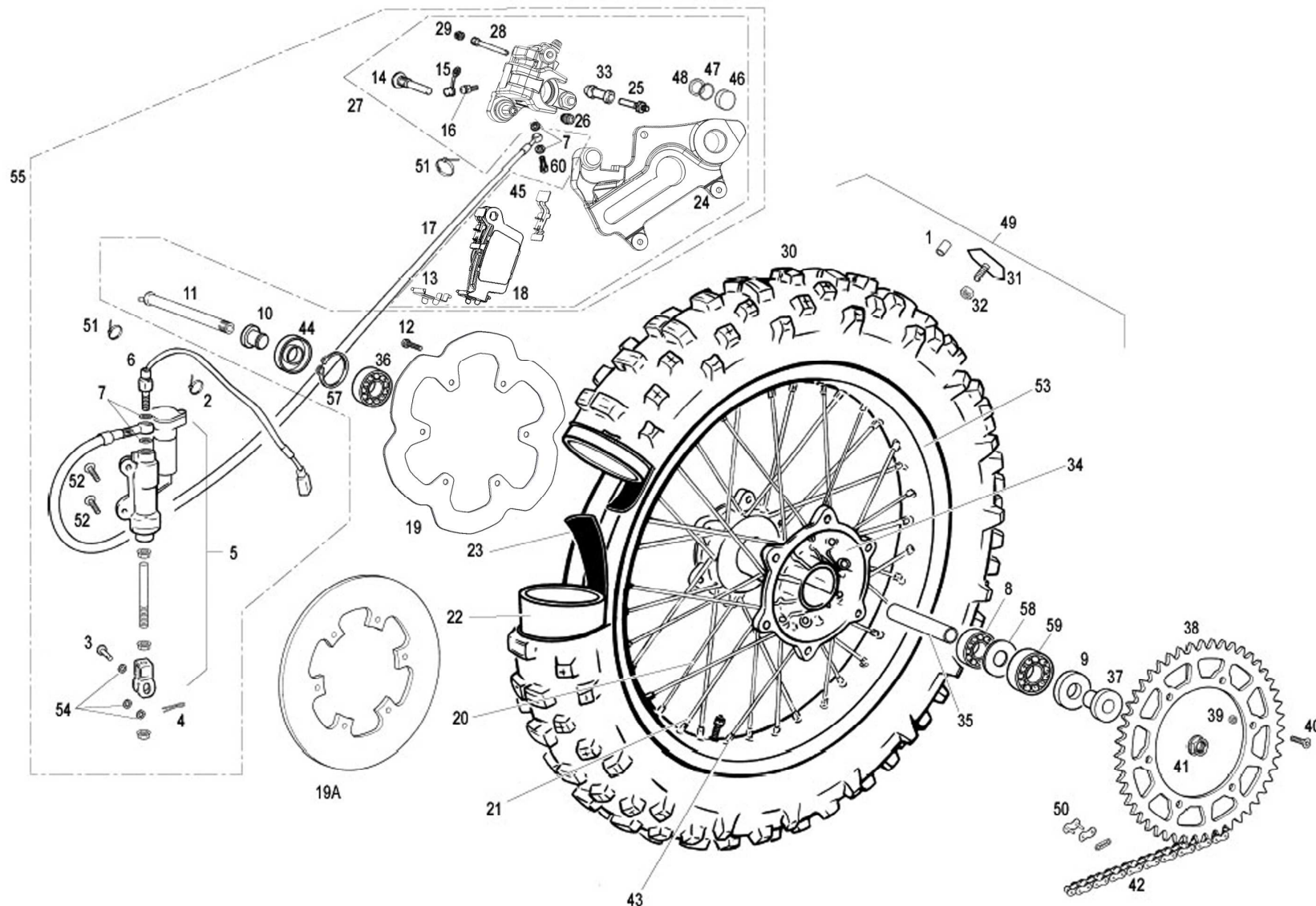
**GASGAS**

**Chasis 10**

**RUEDA TRASERA**  
**REAR WHEEL**

**GASGAS**

**ECI250-FI 2012**



Nº	DESCRIPCION / DESCRIPTION		Cant
32	TUERCA AUTOBLOCANTE M8 BAJA / SELF-LOCKING NUT M8	T2108001	1
33	PROTECTOR TORNILLO / SCREW PROTECTOR	BE250022039	1
34	CUBO RUEDA TRASERA / REAR WHEEL HUB	BE250318027	1
35	DISTANCIADOR RUEDA TRASERA INTE. / REAR WHEEL SPACER	R575700	1
36	COJINETE 6004 2RSR / BEARING 6004 2RSR	C160001	1
37	DISTANCIADOR RUEDA DELANTERA LARGO / LONG WHEEL SPACER	BE250318021	1
38	CORONA Z50 SERIE / Z50 SERIAL SPROCKET	BE573022511	1
38A	CORONA Z42 / Z42 SPROCKET	BE250118034SM	1
38B	CORONA Z44 / Z44 SPROCKET	BF250018024	1
38C	CORONA Z46 / Z46 SPROCKET	BE25918124	1
38D	CORONA Z47 / Z47 SPROCKET	BE25618024	1
38F	CORONA Z49 / Z49 SPROCKET	BC25818024	1
38G	CORONA Z50 / Z50 SPROCKET	R840701	1
38H	CORONA Z52 / Z52 SPROCKET	BE12618024	1
38I	CORONA Z53 / Z53 SPROCKET	BE25918125	1
38J	CORONA Z54 / Z54 SPROCKET	BE25918126	1
38K	CORONA Z51 SERIE / Z51 SERE SPROCKET	BE12618034	1
38L	CORONA Z39 / Z39 SPROCKET	BE250118124SM	1
38M	CORONA Z40 / Z40 SPROCKET	BE250118125SM	1
39	TUERCA AUTOBLOCANTE M8 ALTA / HIGH SELF-LOCKING SPROCKET NUT M8	T2208002	6
40	ALLEN CÓNICO 8X30 / CONIC ALLEN BOLT 8X30	T0408030	6
41	TUERCA AUTOBLOCANTE RUEDA TRASERA / REAR WHEEL SELF-LOCKING NUT	BE25618023	1
42	CADENA REGINA / REGINA CHAIN	BE250310036	1
43	TUERCA RADIO TRASERO / REAR SPOKE NUT	BE250018016	36
44	RETÉN / SEAL	C160710	1
45	PLATINA (B) SUJ. PAST. TRASERAS / REAR BRAKE PADS HOLDER BRACKET (B)	BE250022091	2
46	PISTÓN PINZA FRENO TRASERO / REAR BRAKE CALIPER PISTON	BE675602509	2
47	RETÉN PISTÓN PINZA FRENO TRASERO / REAR BRAKE CALIPER PISTON O'RING	BE675502509	2
48	TÓRICA PISTÓN PINZA FRENO TRASERO / REAR BRAKE CALIPER PISTON SEAL	BE250022048	2
49	RUEDA TRASERA / REAR WHEEL SET	BE55000CT2510	1
50	ENGANCHE CADENA / CHAIN SPLIT LINK	BE250310066	1
51	BRIDA UNEX CORTA / SHORT CLAMP	BE25634010	3
52	ULS 6X20 CON ARANDELA PLATA / 6X20 ULS WITH WASHER	T0556020	2
53	LLANTA 2.15X18 / RIM 2.15X18	BE59001R2509	1

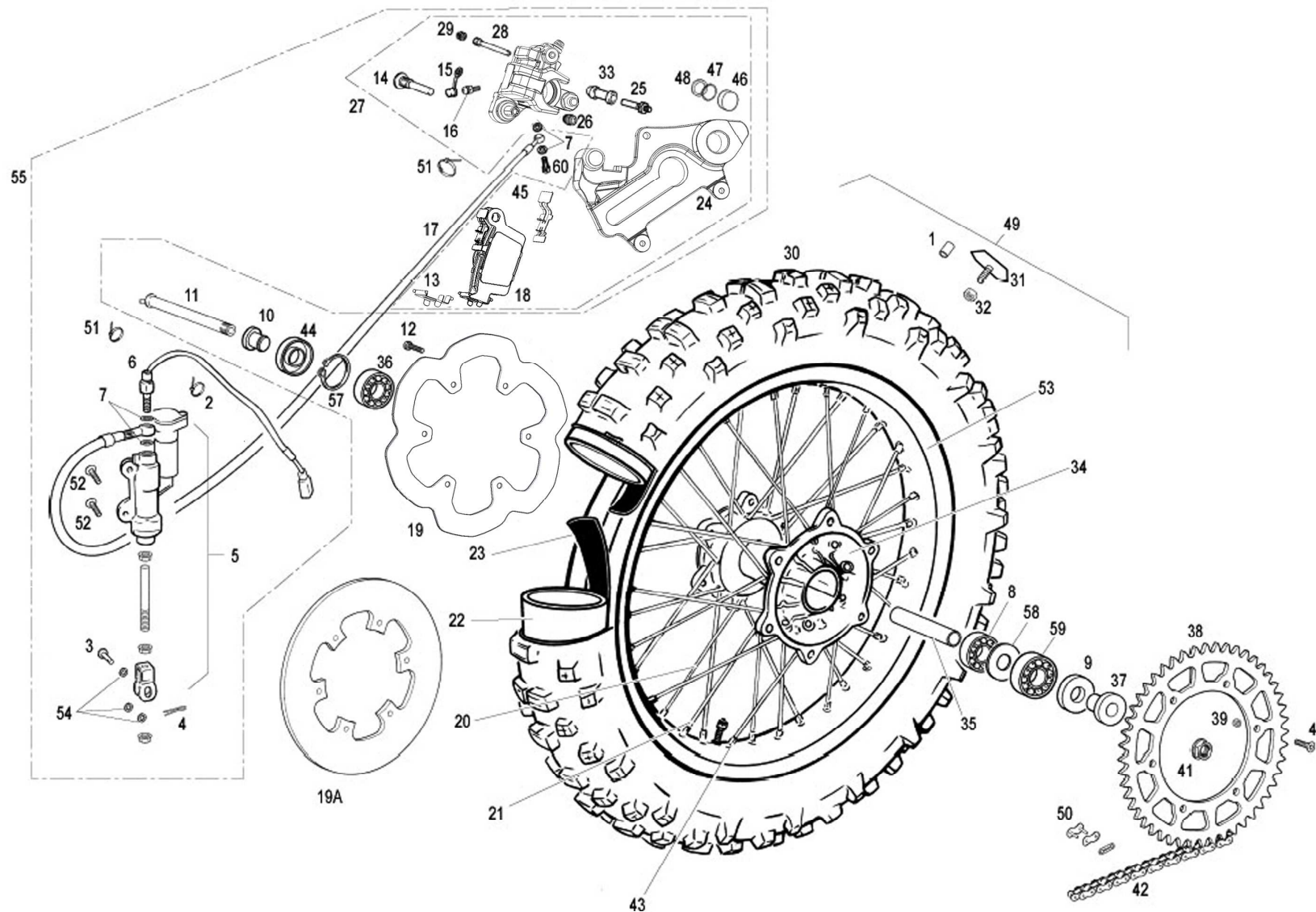
**GASGAS**

**Chasis 10**

**RUEDA TRASERA**  
**REAR WHEEL**

**GASGAS**

**ECI250-FI 2012**



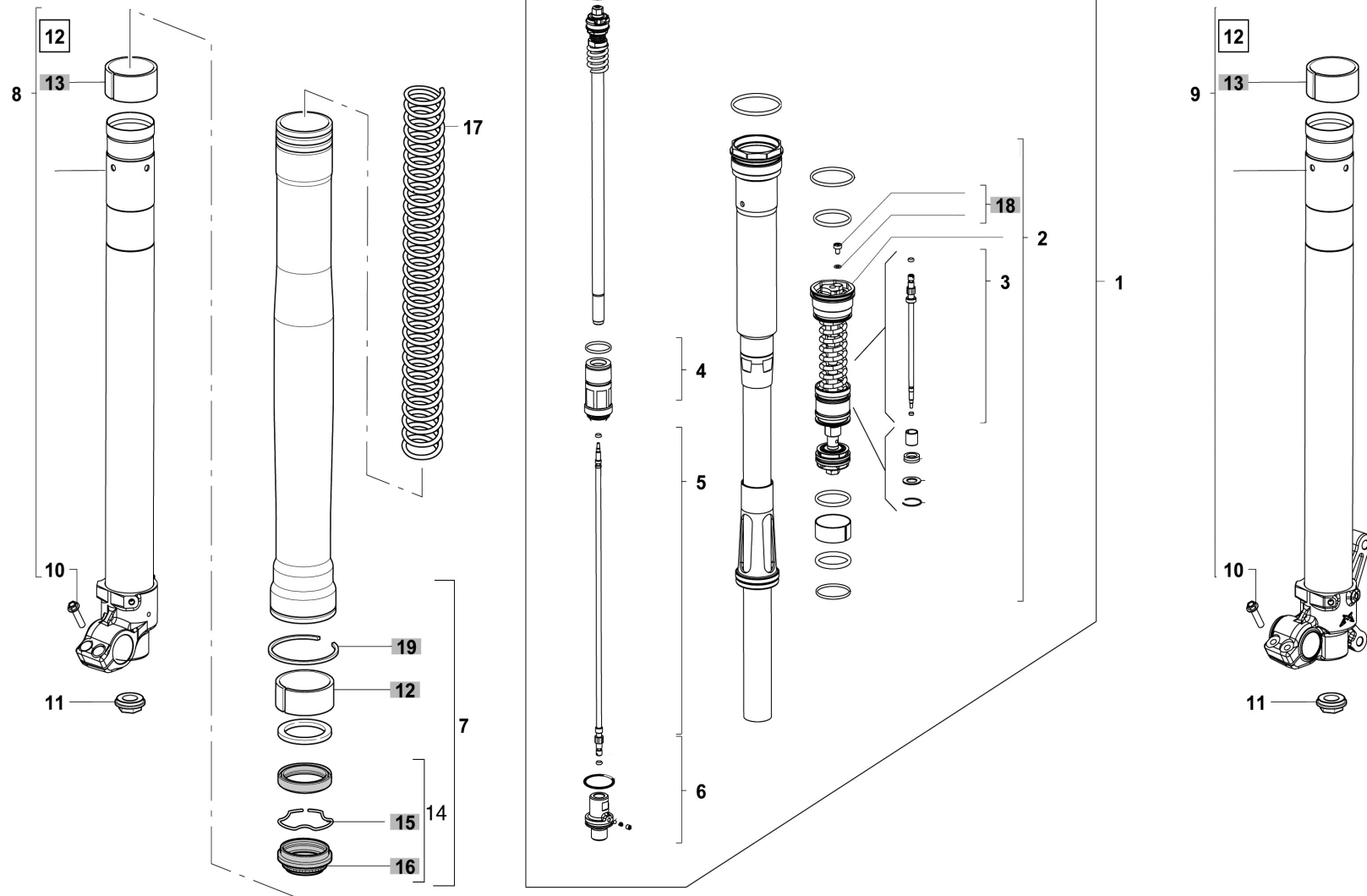


Nº	DESCRIPCION / DESCRIPTION		Cant
54	ARANDELA 8X16X1 / 8X16X1 WASHER	T4008018	3
55	CTO. FRENO TRASERO / REAR BRAKE SET	BE65000CT2509	1
56	CASQUILLO SEPARADOR BOMBA FRENO TRASERO / SPACER BRAKE BUSHING	BT120222097	1
57	SEEGER DIÁMETRO 42 / 42 DIAMETER SEEGER	BE25618038	1
58	ARANDELA INTERIOR CUBO / INTERIOR HUB WASHER	BE250318056	1
59	COJINETE RUEDA 6005-25R1 C3 / WHEEL BEARING	BE250318054	1
60	RACORD SUJ. LATIGUILLO 10X1,25 / HOSE HOLDER RACORD 10X1.25	BC25722006	1

**SUSPENSIÓN DELANTERA**  
**FRONT SUSPENSION**

**GASGAS**

**EC/250-FI 2012**



Nº	DESCRIPCION / DESCRIPTION		Cant
0	SUSPENSIÓN DELANTERA MZ48 CON CARTUCHO CERRADO / FRONT SUSPENSION MZ48 WITH CLOSED CARTRIDGE	BE20000R3011	1
1	CARTUCHO COMPETO / COMPLETE CARTRIDGE UNIT	8032082/P	2
2	VÁLVULA DE COMPRESIÓN / COMPRESSION VALVE UNIT	717214/P	2
3	VARILLA VÁLVULA DE COMPRESIÓN / COMPRESSION INNER ROD	5561131/P	2
4	CASQUILLO / PILOT BOSS	804425/R	2
5	VARILLA SISTEMA EXTENSIÓN / EXTENSION INNER ROD	5561127/P	2
6	UNIDAD DE AJUSTE REBOTE / REBOUND ADJUSTER UNIT	810146>A	2
7	BOTELLA / OUTER TUBE UNIT	760204LA/C	2
8	BARRA Y PIE DERECHO / R.H STANCHION +DROP OUT UNIT	819578/R	1
9	BARRA Y PIE IZQUIERDO / I.H. STANCHION +DROP OUT UNIT	819579/R	1
10	TORNILLO / SCREW	520497PN/P	4
11	TUERCA DE FIJACIÓN / FIXING NUT	521257CH/P	2
12	CASQUILLO SUPERIOR / UPPER BUSHING	538174/P	2
13	CASQUILLO INFERIOR / LOWER BUSHING	538173/P	2
14	KIT RETÉN DE ACEITE D48 USD / KIT OIL SEAL D48 USD	8501639/C	1
15	ANILLO / STOP RING	523414/P	2
16	RETÉN DE POLVO / DUST SEAL	533340/P	2
17	KIT MUELLES ø 48 - K= 4,20 / SPRINGS KIT USD ø 48 - K= 4,20	8501645/C	1
18	TORNILLO + TÓRICA / SCREW + O RING UNIT	850208AR/R	2
19	ANILLO / RING	523329/P	2
100	KIT RETENES / KIT OIL SEAL D.48USD	8501639/C	
101	KIT CASQUILLOS / KIT BUSHING D.48USD	8501640/C	
102	KIT REPARACIÓN VÁLVULA COMPRESIÓN / KIT COMPRESSION SERVICE D.48USD	8501641/C	
103	KIT REPARACIÓN SIST.REBOTE / KIT REBOUND SERVICE D.48USD	8501642/C	
111	KIT ARANDELAS 0,10 (DE 11 A 23MM) / SHIMS KIT 0,10 (FROM 11 TO 23 MM)	850788/C	
112	KIT ARANDELAS 0,15 (DE 11 A 23 MM) / SHIMS KIT 0,15 (FROM 11 TO 23 MM)	850789/C	
113	KIT ARANDELAS 0,20 (DE 11 A 23 MM) / SHIMS KIT 0,20 (FROM 11 TO 23 MM)	850790/C	
114	KIT ARANDELAS 0,30 / SHIMS KIT 0,30	850791/C	
116	KIT ARANDELAS 0,10 (DE 24 A 32 MM) / SHIMS KIT 0,10 (FROM 24 TO 32 MM)	8501643/C	
117	KIT ARANDELAS 0,15 (DE 24 A 32 MM) / SHIMS KIT 0,15 (FROM 24 TO 32 MM)	8501644/C	
121	EXTRACTOR TAPÓN / REMOVE CAP D.48USD	R5294AA/P	
122	EXTRACTOR VÁLVULA DE COMPRESIÓN / REMOVE COMPRESSION VALVE D.48USD	R5295KR/P	
123	HTA. MONTAJE RETÉN ACEITE / OIL SEAL INTRODUCER D.48USD	R5296KR/P	
124	MORDAZA 10-12-28 / JAW 10-12-28 D.48USD	R5297KR/P	

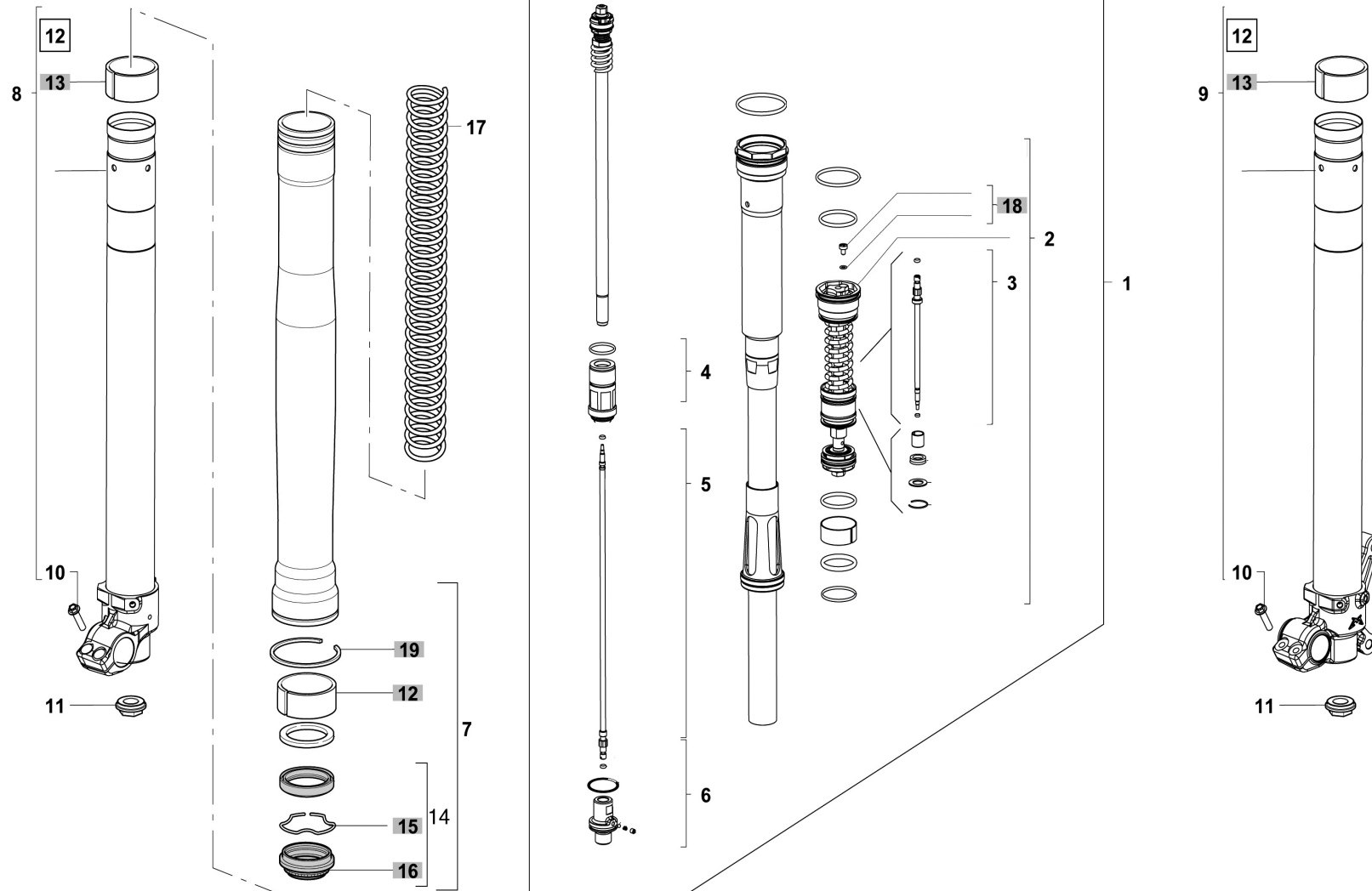
**GASGAS**

**Chasis 11**

**SUSPENSIÓN DELANTERA**  
**FRONT SUSPENSION**

**GASGAS**

**EC/250-FI 2012**







***GASGAS***

**SCHOOL OF  
CHAMPIONS**

**ENERO / JANUARY / JANVIER / GENNAIO / JANUAR 2012**